

TABLE OF CONTENTS

Account Number: _____ Discount %: _____

INTRODUCTION

Introduction and Contact Information	2
Online Ordering, Catalog Offerings and Social Media	3
Freight Information	4 - 5
Hercules Ordering Information and Terms and Conditions	6 - 7
Credit Application	8
Seals On Demand Index	9
Inch and Metric Seal Index	10 - 40
Repair Accessories	41 - 42
Kits and Tools	43 - 44
Typical Sealing Components	45
Custom Seal Configurator & Web Features	46 - 47
Regional Territory Map	48

CUSTOM SEALS

Index	49
Seals On Demand Information	50 - 57

INCH SEALS

Index	59
O-Ring Size Chart	394 - 397
Metric/Inch Conversion Table	501

METRIC SEALS

Index	503
O-Ring Size Chart for Metric Seals	771 - 772

REPAIR ACCESSORIES

Index	813
Repair Accessories	814 - 834

ASSORTMENT KITS AND TOOLS

Index	835
Assortment Kits	836 - 851
Tools	852 - 874

APPENDIX

Index	875
Technical Information	876 - 898

COPYRIGHT © 2025 HB Sealing Products, Inc. All Rights Reserved.

Any use of the contents of this publication without the written permission of HB Sealing Products, Inc. is strictly prohibited.

All trademarks mentioned belong to their respective owners. Prices in this catalog supersede those found in the Hercules Sealing Products 2024 Seal, Mobile Kit, Industrial Kit, Cylinder, and Metal Working catalogs. Prices are subject to change at any time. Go to www.HerculesUS.com to view current pricing.

US - Introduction

The Corporate Office of Hercules® Sealing Products is located in Clearwater, Florida. Hercules® is an ISO 9001 registered distributor of hydraulic and pneumatic seals, seal kits, repair parts, and replacement cylinders for mobile and industrial applications. Hercules® provides seal products used in hydraulic cylinders to a variety of industries for equipment such as: construction, mining, aerial lift and crane, dump and refuse trucks, material handling, industrial plant applications, paving, agriculture, and logging equipment. Industry-leading technical catalogs provide application, dimensional, material specifications and product pricing.

Hercules® Sealing Products distribution center is located in Louisville, Kentucky. The 120,000 sq. ft facility is located ten minutes from the UPS World Port which allows Hercules to offer the latest cut-off times in the US Seal Industry. The facility features state of the art automation, inventory densification and design scalability.

A technical sales force with 8:00 a.m. to 8:00 p.m. ET hours of operation and an engineering department will provide you with unparalleled technical service. Additional value added services include reduced freight rates, special packaging, wide selection of aftermarket seal kits, largest in-stock inventory in the industry, and same day shipping on orders before 8:00 p.m. ET. Cylinder repair parts such as cylinders, power units, and cylinder rebuilding accessories are also available.

Hercules® Sealing Products offers products from the leading suppliers in the fluid power industry. These suppliers are continually rated and monitored based on the quality of their products. This process enables Hercules® to exceed our goal to deliver the highest quality products and services in the industry.



US HEADQUARTERS AND CALL CENTER

420 Park Place Blvd, Suite 100
Clearwater, FL, 33759 U.S.A.

Tel: **727.796.1300**
Toll Free: **800.777.5617**
Fax: **727.797.8849**
Toll Free Fax: **800.759.6391**
email: **sales@HerculesUS.com**
www.HerculesUS.com
Customer Service Hours:
8:00 AM to 8:00 PM EST
Monday to Friday



DISTRIBUTION CENTER

4400 Commerce Crossing Dr. Suite 102
Louisville, KY 40229 U.S.A.

Tel: **502.276.0829**
Toll Free: **800.777.5617**
Fax: **502.290.3296**
Toll Free Fax: **800.759.6391**
email: **sales@HerculesUS.com**
www.HerculesUS.com



Online Ordering - www.HerculesUs.com

Hercules now offers extended webstore hours for next-day air delivery! Place your orders by **8:30pm EST** and receive your shipment the following day!

Placing orders on the Hercules® website is a fast and easy alternative to calling or faxing in your orders. Simply place items in the shopping cart and register during the checkout process, or click the “register” button on the upper right-hand corner of the homepage to start the process prior to shopping. First-Time visitors need to fill out a short profile to view company specific discounts and inventory. To shop quickly, click the "Quick Order Entry" button on the left side menu and add items by part number directly into your shopping cart. For website assistance, e-mail our Help Desk at HelpDesk@HerculesUS.com, click the Live Chat, or call 727-796-1300.

Sign-up for the Hercules e-newsletter, found at the bottom of the homepage, to receive notice of web-only specials, new product announcements and industry specific articles.



Catalog Offerings

Industrial Kit Catalog - The Hercules® Industrial Catalog contains priced listings of the wide range of hydraulic / pneumatic sealing and related products for in-plant industrial applications. This catalog includes OEM quality industrial cylinder repair kits for many popular brands of in-plant cylinders such as; Parker, Miller, Hydro-Line, and many more. Additional product offerings include cylinder repair kits for many popular makes of forklifts; including Toyota, Raymond, Caterpillar®-Towmotor and many more.

Mobile Kit Catalog - The Hercules® Kit Catalog contains hydraulic and kit information for mobile applications. Complete cylinder repair kits are listed from over 140 different brands of equipment for construction, mining, aerial lift and crane, logging, refuse, agriculture, paving, and material handling. In addition, a cylinder application reference guide is available to simplify your selection.

Cylinder and Repair Parts Catalog - The Hercules® Cylinder Catalog is packed with valuable information cylinder replacement and repair parts. It also features our very own HTR, HSTR, HMW, HCW, HTC, and Bobcat cylinders as well as telescopic cylinders, power units, and cylinder repair parts.

Metalworking Catalog - The Hercules® Metalworking Catalog provides exclusive product offerings for drills, taps, end mills, countersinks, dies, band saw blades, carbide inserts and holders, honing stones, and rotary thread files for the metal working environment. It also features in-depth technical information to simplify your selection process.

Hercules Social Media

Get connected to Hercules® Sealing Products - Go to the Hercules website at www.HerculesUs.com to link directly to our Facebook, Instagram, LinkedIn, TikTok and Hercules YouTube Channel.



Freight Information

Low cost air and ground shipments available world wide. Guaranteed service available (restrictions apply to select zip codes.) One Call to Hercules® Sealing Products gets you top quality seal and repair products, cost saving freight rates, and a wide variety of delivery services to save you time and money! Hercules® pays the dimensional weight charges for air US shipments on boxes up to 13" cubed (additional accessorial charges may apply).



MOST ARRIVE WITHIN 2 DAYS!

United States Postal Service Priority Flat-Rate Options

If It Fits, It Ships for One Low Rate - Anywhere in the Continental United States!

The United States Postal Services is available as a delivery option for all domestic locations. Your flat-rate options are as follows: Small padded envelope, medium and large boxes. When placing your order online at www.HerculesUS.com the envelope or box that would best fit your shipment size will appear on the Shipping and Payment screen. Orders placed via phone or fax will be determined by your regional sales representative. **Shipments placed by 11am EST will ship the same day.**

\$18.00*

Priority Flat-Rate Envelope
12-1/2 x 9-1/2 or
8-5/8 x 5-3/8 x 1-5/8



\$24.00*

Priority Flat-Rate
Medium Box
11" x 8 1/2" x 5 1/2"



\$30.00*

Priority Flat-Rate
Large Box
12" x 12" x 5 1/2"



* Additional accessorial charges may apply

UPS and FedEx Special Discounted Rates

These discounted rates offer significant savings on shipments for zones 103 and up (additional accessorials charges may apply).
 * Rates may be subject to change at any time.



NEXT DAY AIR

(1-7 lbs.)

Package Weight	Rate
1 LB.	\$44.30
2 LBS.	44.30
3 LBS.	46.82
4 LBS.	51.94
5 LBS.	57.37
6 LBS.	62.82
7 LBS.	70.17

8LBS. AND UP - PUBLISHED UPS RATES.



NEXT DAY AIR

(1-7 lbs.)

Package Weight	Rate
1 LB.	\$44.30
2 LBS.	44.30
3 LBS.	46.82
4 LBS.	51.94
5 LBS.	57.37
6 LBS.	62.85
7 LBS.	70.17

8LBS. AND UP - PUBLISHED FEDEX RATES

UPS GROUND TRANSIT MAP

Call for Rates.



FEDEX GROUND TRANSIT MAP

Call for Rates.



Order Cut-Off Times

At Hercules, we understand the importance of getting your equipment fixed fast! Therefore, it is imperative that you receive your shipments on-time. Orders placed by the following cut-off times will ship the same day. All cut-off times are based on Eastern Time Zone.

Order Cut-Off Times	Freight Carriers
11:00 am EST	USPS Mail Services
3:30 pm EST	UPS Ground
8:00 pm EST	UPS Air Services
3:30 pm EST	FedEx Ground Services
5:30 pm EST	FedEx Air Services
3:30 pm EST	LTL – All Freight
3:30 pm EST	International Air FedEx and DHL
5:00 pm EST	International Air UPS

HERCULES® ORDERING INFORMATION

DOMESTIC CUSTOMER SERVICE

SATISFACTION

Total customer satisfaction is our goal. Please call with any questions or problems. Your input helps us to improve our service. We want to be your most reliable supplier.

HOW TO OPEN AN ACCOUNT WITH US - SAME DAY CREDIT APPROVAL

1. Copy and fill out the credit application found on page viii of this catalog.
2. Email or Fax completed and signed Credit Application and your sales tax exempt certificate (if applicable) for processing to 1-800-759-6391 or sales@herculesus.com.
3. Hercules will send an Open account notice when your account is approved. — If you need additional information call our Accounting Department at 800-244-5617 or email: **AR@herculesus.com**

HOW TO ORDER FROM US

Hercules can process orders in a number of ways. Orders can be placed by phone 1-800-777-5617, by email sales@herculesus.com, by fax 1-800-759-6391, or by using our website at www.herculesus.com. Our technical sales staff is also available TOLL FREE from 8 a.m. to 8:00 p.m. EST to take your order, assist you in finding the correct part, or answer any questions you may have.

SHIPMENT / DELIVERY

Every order we receive is classified as a RUSH. You tell us how fast you need it. Shipping agreements with UPS and FedEx allow us to offer substantial freight discounts.

PRICE QUOTATIONS/NON-CATALOG ITEMS

Hercules® is constantly adding parts to inventory. If you need a part that is not listed in our catalog, call, email, fax, or send us a sample of the part you need, roughly how many pieces are required, and we will source, quote, order, and stock the parts for you. Call, email or fax us anytime for price and delivery on hard-to-find or non-catalog items. Formal quotations for product and freight costs are gladly furnished upon request.

CREDIT CARDS

Hercules® accepts all major credit cards.

INTERNATIONAL CUSTOMER SERVICE

PHONE / FAX NUMBERS

PHONE: (727) 796-1300
FAX: (727) 797-8849

E-MAIL/WEBSITE

IntlSales@herculesus.com
http://www.herculesus.com

PAYMENT

Payment for all products must be in U.S. dollars.

REMIT ADDRESS: HB Sealing Products Inc, PO Box 736286, Dallas, TX 75373-6286



PLACING ORDERS FOR SHIPMENT

1. Fax, mail, email or telephone order to Hercules® specifying method of shipment.
2. Hercules® will fax or email order value to you. All prices are in U.S. dollars.
3. Wire instructions: Contact Hercules® for wire transfer details

ONLINE PAY BILLING PORTAL

Discover the convenience of Hercules' revamped Online Payment Portal. Pay invoices, download or email PDF invoices, and access payment receipts effortlessly.

Manage your payments from anywhere, anytime!

You must re-register for the New Improved Billing Portal by using your Customer ID and an Invoice Number.

Go online at www.HerculesUS.com.

SHIPMENT / DELIVERY

Hercules® will gladly ship by the carrier of your choice. Please specify any special shipping requirements you may have. All shipments are Ex-Works Louisville, KY, USA, unless otherwise specified or prearranged. Additional charges may be incurred for inbound freight and/or special packaging.

PRICE QUOTATIONS/NON-CATALOG ITEMS

Call, fax, or email us anytime for price and delivery. Formal quotations are gladly furnished upon request.

QUALITY

Hercules® has achieved a worldwide reputation as an organization committed to providing products and services that continually meet or exceed the needs and expectations of our customers. Hercules® is an ISO 9001 registered company.

ANTI-DEFAMATION POLICY

All equipment manufacturer's names, part numbers, and descriptions are used for reference purposes only. We do not imply that any part shown is the product of these manufacturers. We also do not imply that the list price shown is exactly that of the manufacturer.

TERMS AND CONDITIONS

BACKORDERS

Backorders will ship as ordered and additional freight charges will apply. Cancellation of backorders must be requested at the time of order to prevent additional freight charges. All backorders less than \$5.00 will be automatically canceled unless specified otherwise by the customer at the time of order.

CREDIT TERMS

Our payment terms for all open accounts are NET 30 days. Accounts outstanding over 30 days are reviewed daily. At 45 days past due (75 days from invoice date) all orders and backorders will automatically be put on credit hold until full payment is received.

RETURNS

Before you return any item, please call our customer service desk to obtain a Return Material Authorization (RMA) Number. Returned shipments without a Returned Material Authorization (RMA) number will be rejected. Our Receiving Department cannot accept a return without an RMA Number. Parts must be returned within 30 days of receipt of goods. All items to be returned must be in the original packaging. Returned items are subject to a 20% restocking charge. All returns are subject to inspection by our Quality Control Department and may be rejected if not in resalable condition. Special order items are non-returnable.

CLAIMS

It is the policy of HB Sealing Products that inquiries for pricing discrepancies, order discrepancies, freight claims and customer returns must be reported to Hercules Sealing Products Customer Service within 30 days of invoice. Claims/discrepancies reported after 30 days of invoice will not be honored.

ORDER CANCELLATIONS

Orders for Standard Cataloged Products will not be canceled once processed. All custom supplied, non-cataloged products cannot be canceled. Additional cancellation charges may apply.

EXCLUSION OF WARRANTIES; LIMITATIONS OF DAMAGES

EXCEPT AS PROVIDED IN THE NEXT SECTION (TITLED "HERCULES BRAND PRODUCTS CYLINDER WARRANTY") ANY WARRANTIES ON THE PRODUCTS SOLD BY HB SEALING PRODUCTS ARE THOSE MADE BY THE MANUFACTURER. EXCEPT AS PROVIDED IN THE "HERCULES BRAND PRODUCTS CYLINDER WARRANTY", HB SEALING PRODUCTS HEREBY EXPRESSLY DISCLAIMS ALL WARRANTIES, EITHER EXPRESS OR IMPLIED, INCLUDING ANY IMPLIED WARRANTY OF MERCHANTABILITY OR FITNESS FOR A PARTICULAR PURPOSE. HB SEALING PRODUCTS NEITHER ASSUMES NOR AUTHORIZES ANY OTHER PERSON TO ASSUME FOR IT ANY LIABILITY IN CONNECTION WITH THE SALE OF ITS PRODUCTS.

IN NO EVENT SHALL HB SEALING PRODUCTS BE LIABLE TO BUYER FOR ANY INDIRECT, SPECIAL, OR CONSEQUENTIAL DAMAGES, INCLUDING (WITHOUT LIMITATION) LOST PROFITS, COSTS OF DELAY, PERSONAL INJURY, PROPERTY DAMAGE OR LIABILITIES TO BUYER OR THIRD PARTIES ARISING FROM ANY SOURCE. THIS LIMITATION ON DAMAGES SHALL APPLY TO ALL PRODUCTS SOLD BY HB SEALING PRODUCTS, INCLUDING HERCULES BRAND PRODUCTS CYLINDERS. IN THE EVENT, THAT, NOTWITHSTANDING THE TERMS OF THIS SECTION, HB SEALING PRODUCTS IS FOUND LIABLE FOR DAMAGES BASED ON ANY DEFECT OR NONCONFORMITY IN PRODUCTS SOLD BY IT, INCLUDING HERCULES BRAND PRODUCTS CYLINDERS, ITS TOTAL LIABILITY FOR EACH DEFECTIVE OR NONCONFORMING PRODUCT SHALL NOT EXCEED THE PRICE PAID BY BUYER FOR SUCH DEFECTIVE PRODUCT.

HERCULES® BRAND PRODUCTS CYLINDER WARRANTY

HB Sealing Products herein supplies a limited express warranty to its buyers who purchase standard or custom Hercules Brand Products Cylinders ("Cylinders"). HB Sealing Products warrants that such Cylinders are free from defects in material and workmanship for a period of 12 months from the date the Cylinders are shipped from HB Sealing Products' facility. HB Sealing Products will repair or replace, at its sole option, Cylinders that are found to be defective in material or workmanship upon inspection by HB Sealing Products personnel when the Cylinders have been used under conditions for which the Cylinders were designed to operate. No warranty will be in effect for any of the following reasons:

- Chemical attack, corrosion or erosion;
- Non-compatible or dirty hydraulic fluid;
- Seal degradation due to contamination (including hydraulic fluids), excessive heat or misapplication;
- Excessive side loading;
- Maintenance or disassembly of the cylinder if performed by anyone other than HB Sealing Products personnel without HB Sealing Products' permission, prior to the date of warranty expiration;
- Removal of the HB Sealing Products ID tag indicating bore, stroke, and other information concerning traceability; or Instances of improper installation or misapplication of the Cylinders.

Due to the variety of operating conditions and applications for the Cylinders and HB Sealing Products' related products, HB Sealing Products recommends that Buyer analyze all aspects of the application and carefully select the correct cylinder product to fit the buyer's application. Buyer is solely responsible for the cylinder product selection in assessing that all performance, safety and warning requirements of the application are met. **IMPROPER CYLINDER PRODUCT SELECTION, MISAPPLIED ENGINEERING OR IMPROPER USE OF THE CYLINDERS AND RELATED PRODUCTS DESCRIBED HEREIN MAY CAUSE DEATH, PERSONAL INJURY AND /OR PROPERTY DAMAGE.** HB Sealing Products does not imply or represent that the Cylinders will work properly in any customer application. No sales agent of HB Sealing Products shall have the right to determine warranty periods, terms or conditions for Cylinders if such statements by the sales agents are different from those included herein. Buyer understands that HB Sealing Products will not be held liable for any other costs or damages including any charges for removal, installation, assembly or any other charges in connection with the replacement or repair of the Cylinders. All returned products must have, before being returned to HB Sealing Products, an "RMA" (return material authorization) number assigned to it by HB Sealing Products' customer service department.

THE WARRANTY STATED IN THIS SECTION IS HB SEALING PRODUCTS' SOLE AND EXCLUSIVE WARRANTY PERTAINING TO THE CYLINDERS, AND HB SEALING PRODUCTS HEREBY DISCLAIMS ANY OTHER WARRANTY, EXPRESS OR IMPLIED, INCLUDING, WITHOUT LIMITATION, ANY WARRANTY OF MERCHANTABILITY OR FITNESS FOR A PARTICULAR PURPOSE FOR THE CYLINDERS.



Hercules Sealing Products
 420 Park Place Blvd, Suite 100
 Clearwater, FL 33759 USA

CREDIT APPLICATION

Toll Free: 1-800-777-5617
 International: (727)796-1300
 Fax: (800)759-6391
 Intl Fax: (727)797-8849
 E-Mail: sales@herculesus.com

Please Indicate Type of Request: <input type="checkbox"/> Catalog <input type="checkbox"/> COD <input type="checkbox"/> Credit Card <input type="checkbox"/> Net 30
--

COMPANY INFORMATION

Company Name: _____
 Billing Address: _____ City: _____ State: _____ Zip: _____
 Shipping Address: _____ City: _____ State: _____ Zip: _____
 Branch Office: _____ DBA: _____
 Phone: _____ Fax: _____
 Business Structure (Sole Ownership, Partnership, Corporation): _____
 Type of Business: _____ Year Business Established: At current Address Since: _____
 Federal ID#: _____ President/Owner SSN: _____
 Owner/President: _____ Controller: _____
 Accounts Payable Contact: _____ AP Email Address (Invoices will be emailed here): _____
 Primary Contact Person: _____ Title: _____
 Controller: _____ Annual Purchases: _____
 Website: _____ E-Mail: _____

Primary Industry: Construction Mining Refuse/Waste Material Handling Aerial Lift/Crane Agriculture Oil and Gas
 (Check One) Concrete/Paving Logging/Forestry Industrial Plant Automotive/Marine Rental Equipment

BANK REFERENCES

Bank Name and Address: _____
 Account #: _____ Contact Name & Phone: _____

TRADE REFERENCES

Firm Name: _____ City, State: _____ Phone/Email/Fax: _____
 1: _____
 2: _____
 3: _____

CREDIT AGREEMENT

I understand the following and will abide by your company regulations:

1. Notify Hercules Sealing Products of any changes in ownership of your company.
2. If granted credit, our company agrees to pay all invoices within 30 days of invoice date.
3. It is agreed that our company will pay 1.5% per month which is 18% yearly for all past due balances.
4. It is agreed that our account will become COD if we fail to pay invoices within the above stated terms.
5. Our company financial condition is satisfactory and we can meet all financial obligations.
6. There are no lawsuits or judgements against me at this present time. If our company defaults on payment of any outstanding valid invoices we agree to pay attorney and/or collection expenses.

Credit Amount Requested

AGREE TO PAY MY ACCOUNT WITHIN THE TERMS AND AUTHORIZE YOU TO OBTAIN SUCH INFORMATION YOU MAY REQUIRE CONCERNING THIS APPLICATION.

Date _____ Signed _____
 X _____ Title _____
 PERSONAL GUARANTEE

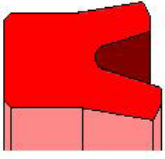
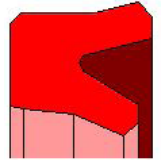
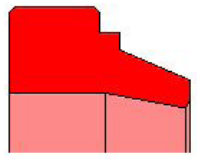
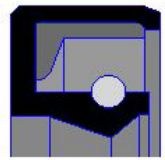
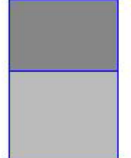
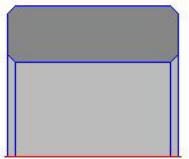
REFERRAL INFORMATION

How did you learn about Hercules Sealing Products? Please choose one and provide detailed information:

Trade Show: _____ Magazine: _____ Previous Employer: _____
 Hercules Customer: _____ Website or Search: _____ Other: _____


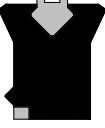






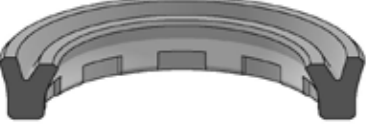











SEAL PROFILE INDEX

CUSTOM SEALS

Type	Prefix	Product Image	Seal Name	Material	Page #
PISTON SEALS	DK SERIES (35 PROFILES)		Piston Seals	NBR, Urethane, PTFE and Fluorocarbon	51
ROD SEALS	DS SERIES (32 PROFILES)		Rod Seals	NBR, Urethane, PTFE and Fluorocarbon	52
WIPER RINGS	DA SERIES (19 PROFILES)		Wiper Rings	NBR, Urethane, PTFE and Fluorocarbon	53
ROTARY SEALS	DR SERIES (24 PROFILES)		Rotary Shaft Seals	NBR, Urethane, PTFE and Fluorocarbon	54
GASKET / BACKUP RINGS	DFL & DST SERIES (12 PROFILES)		Gasket / Back-up Rings	POM, Urethane, PTFE and Nylon	55
GUIDE-RINGS	DF SERIES (8 PROFILES)		Guide Bands	POM, PTFE and Nylon	55






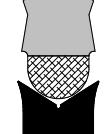

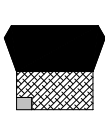












SEAL PROFILE INDEX

INCH SEALS

Type	Prefix	Product Image	Profile	Material	Temp	Pressure	Speed	Page #
ROD U-SEALS	RTUB Super-Duty Rod U-Seals			Urethane Seal Rubber Energizer Polyacetal Ring	-50° - +230° F	0 - 6,000 PSI	3 FT/SEC	60 - 62
	RTUL Quad Ring Loaded Rod U-Seals			Urethane Seal Rubber Energizer	-40° - +225° F	0 - 5,000 PSI	3 FT/SEC	63 - 64
	RTUSL Rod U-Seals			Urethane canted coil Energizer	-40° - +225° F	0 - 5,000 PSI	3 FT/SEC	64
	RTU Asymmetric Twin Lip Rod U-Seals			Urethane	-40° - +225° F	0 - 5,000 PSI	3 FT/SEC	65 - 70
	RU9 Urethane Rod U-Seals			Urethane	-31° - +270° F	0 - 5,800 PSI	1.65 FT/ SEC	71 - 72
	RU Urethane Rod U-Seals			Urethane	-40° - +200° F	0 - 5,000 PSI	3 FT/SEC	73
	DRU Heavy Duty Rod U-Seals			Urethane	-65° - +230° F	0 - 6,000 PSI	3 FT/SEC	74 - 77
	DRU- BHT Heavy Duty Rod U-Seals			Urethane	-31° - +250° F	0 - 7,250 PSI	1.5 FT/ SEC	78 - 79
	DRTU Heavy Duty Rod U-Seals			Urethane	-65° - +230° F	0 - 6,000 PSI	3 FT/SEC	80 - 82
	DRTU- BHT Heavy Duty Rod U-Seals			Urethane	-31° - +250° F	0 - 7,250 PSI	1.5 FT/ SEC	83 - 85

SEAL PROFILE INDEX

INCH SEALS

Type	Prefix	Product Image	Profile	Material	Temp	Pressure	Speed	Page #
ROD U-SEALS	DRUB Heavy Duty Rod U-Seals w/Back-Up Rings			Urethane Seal Nylon Back-Up	-40° - +230° F	0 - 6,000 PSI	3 FT/SEC	86
	UFN-EI Rod Seals w/Back-Up Rings			Nitrile Seal Fabric Reinforced Base, Acetal Back-Up	-22° - +212° F	0 - 5,800 PSI	1.5 FT/SEC	87 - 88
	UFN-BR Rod Seals w/Headers			Rubber Fabric Polyester Elastomer	-22° - +212° F	1.64 FPS / 3600 PSI 0.49 FPS / 5800 PSI	1.5 FT/SEC	89
	UFN-EI-SAG Rod Seals w/Back-up Rings			Rubber Fabric Acetal	-22° - +212° F	1.64 FPS / 3600 PSI 0.49 FPS / 5800 PSI	1.5 FT/SEC	90
	HMU Urethane U-Seals			Urethane	-40° - +200° F	0 - 5,000 PSI	3 FT/SEC	91 - 92
	HMU Homogeneous U-Seals			Buna-N Rubber Fluorocarbon	BUNA-N: -40° - +250° F FC: -20° - +400° F	BUNA-N: 0 TO 1,000 PSI FC: 0-2,000 PSI	3 FT/SEC	93 - 94
	UKR Rod U-Seals			Urethane	-40° - +200° F	0 - 150 PSI	3 FT/SEC	95 - 96
PISTON U-SEALS	DPU Heavy Duty Piston U-Seals			Urethane	-65° - +230° F	0 - 6,000 PSI	3 FT/SEC	97 - 101
	DPU-BHT Heavy Duty Piston U-Seals			Urethane	-31° - +250° F	0 - 7,250 PSI	1.5 FT/SEC	102 - 103
	PU Piston U-Seals			Urethane	-40° - +225° F	0 - 5,000 PSI	3 FT/SEC	104 - 105








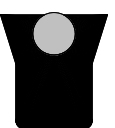












SEAL PROFILE INDEX

INCH SEALS

Type	Prefix	Product Image	Profile	Material	Temp	Pressure	Speed	Page #
PISTON U-SEALS	UFN-PWO Piston Seals			Rubber / Fabric Seal Acetal Back-Up Bearing	-22° - +212° F	0 - 5,800 PSI	1.5 FT/ SEC	106 - 107
	UFN-UEO Piston U-Seals			Rubber / Fabric Seal Acetal Back-Up Bearing	-22° - +212° F	0 - 5,800 PSI	1.5 FT/ SEC	106 - 107
	UFN-UWO Piston U-Seals			Rubber / Fabric Seal Acetal Back-Up Bearing	-22° - +212° F	0 - 5,800 PSI	1.5 FT/ SEC	106 - 107
	UKP Piston U-Seals			Urethane	-40° - +200° F	0 TO 150 PSI	3 FT/ SEC	108 - 109
U-SEALS	DSU Heavy Duty Symmetrical U-Seals			Urethane	-40° - +230° F	0 - 4,000 PSI	3 FT/ SEC	110 - 119
	DSU-BHT Heavy Duty Symmetrical U-Seals			Urethane	-31° - +250° F	0 - 5,000 PSI	1.5 FT/ SEC	120 - 121
	HU Symmetrical Urethane U-Seals			Urethane	-40° - +200° F	0 - 5,000 PSI	3 FT/ SEC	122 - 127
	UPU Premium U-Seals			Urethane Seal Nitrile Energizer	-65° - +265° F	0 - 5,000 PSI	3 FT/ SEC	128
	U U-Seals			Urethane Seal Nitrile Energizer	-40° - +200° F	0 - 5,000 PSI	3 FT/ SEC	129 - 159
	U-PM U-Seals			55D Hytrel Seal FKM Energizer	-65° - +275° F	0 - 5,000 PSI	3 FT/ SEC	160 - 162








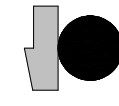

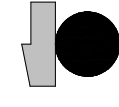







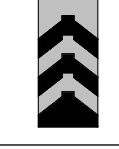


SEAL PROFILE INDEX



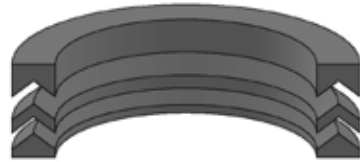







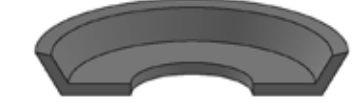









INCH SEALS

Type	Prefix	Product Image	Profile	Material	Temp	Pressure	Speed	Page #
U-SEALS	U-HT High-Temperature U-Seals			Urethane Seal Nitrile Energizer	-40° - +250° F	0 - 5,000 PSI	3 FT/ SEC	163 - 164
	U-V U-Seals			Fluorocarbon Seal and Energizer	-20° - +400° F	0 - 2,000 PSI	3 FT/ SEC	165 - 170
	U-Z Z-Seals			Urethane Base Rubber Lip	-40° - +200° F	0 - 5,000 PSI	3 FT/ SEC	171 - 176
	P U-Seals			Urethane Seal Nitrile Energizer	-40° - +200° F	0 - 5,000 PSI	3 FT/ SEC	177 - 191
	P-V U-Seals			Fluorocarbon Seal and Energizer	-20° - +400° F	0 - 2,000 PSI	3 FT/ SEC	192 - 193
	855 PRC Rings			Urethane	-40° - +200° F	0 - 5,000 PSI	3 FT/ SEC	194 - 195
	UFN-P Symmetrical Plain Seals			Nitrile Seal Fabric Reinforced Base	-22° - +212° F	0 - 2,900 PSI	1.5 FT/ SEC	196 - 198
	870 U-Seals			Buna-N Rubber	-40° - +240° F	0 - 500 PSI	3 FT/ SEC	199 - 201
	HRU Homogeneous U-Seals			Buna-N Rubber or Fluorocarbon	BUNA-N: -40° - +250° F FC: -20° - +400° F	BUNA-N: 0 - 1,250 PSI FC: 0-2,000 PSI	3 FT/ SEC	202 - 206
	HSU Homogeneous U-Seals			Buna-N Rubber or Fluorocarbon	BUNA-N: -40° TO +250° F FC: -20° TO +400° F	0 - 2,000 PSI	3 FT/ SEC	207 - 209

SEAL PROFILE INDEX

INCH SEALS

Type	Prefix	Product Image	Profile	Material	Temp	Pressure	Speed	Page #
BUFFER SEALS	DYR Rod Buffer Seals			Urethane Seal Polyacetal Back-Up	-40° - +230° F	0 - 8,000 PSI	3 FT/ SEC	210 - 211
	DYR-BHT Rod Buffer Seals			Urethane Seal Polyacetal Ring	-31° - +250° F	0 - 8,000 PSI	1.5 FT/ SEC	212
	DYR-BR43 Rod Buffer Seals			90A Urethane Seal Nylon Back-Up Ring	-65° - +250° F	0 - 10,000 PSI	1.6 FT/ SEC	213
	KR Rod Buffer Seals			PTFE Buffer Rubber Expander	-40° - +225° F	0 - 5,000 PSI	12 FT/ SEC	214 - 215
	KR-V Rod Buffer Seals			Bronze PTFE Buffer FKM Expander	-20° - +400° F	0 - 5,000 PSI	12 FT/ SEC	216 - 217
	RBS Rod Buffer Seals			Urethane	-40° - +200° F	0 - 5,000 PSI	3 FT/ SEC	218
	CTC Caterpillar® Specific Buffers			DYR Style, Urethane 1 piece, or Bronze Filled PTFE Buffer w/ Rubber Expander	-22° - +230° F -40° - +200° F -40° - +220° F	0 - 6,000 PSI 0 - 5,000 PSI	3 FT/ SEC 12 FT/ SEC	219- 221
	BRS Rod Buffer Seals			Bronze PTFE Buffer Rubber Expander	-40° - +220° F	0 - 5,000 PSI	15 FT/ SEC	222
VEE PACKING	HDLV Hydrolocking Vee Packing Sets			Hytrel & Nylon	-40° - +220° F	0 - 6,000 PSI	1.5 FT/ SEC	223 - 225
	VS Vee Packing			Rubber & Urethane or Fluorocarbon Ring Nylon Adaptor	-35° - +220° F	0 - 10,000 PSI	1.5 FT/ SEC	226 - 230

Type	Prefix	Product Image	Profile	Material	Temp	Pressure	Speed	Page #
VEE PACKING	CAS Cascade® Specific Vee Packing			Rubber & Urethane Ring Nylon Adaptor	-35° - +220° F	0 - 10,000	1.5 FT/ SEC	231
	VR Individual Vee Rings & Adaptors			Fabric Reinforced Rubber, Urethane & Nylon Ring	-35° - +220° F	0 - 5,000 PSI	1.5 FT/ SEC	232 - 234
	935 Vee Rings			PTFE	-100° - +400° F	0 - 5,000 PSI	12 FT/ SEC	235
	835 Homoge- neous Rubber Vee Rings			70 Durom- eter Buna-N Rubber	-40° - +220° F	0 - 1,250 PSI	3 FT/ SEC	236
	WV Styles 850 - 855 WV Packing			Fabric Reinforced Rubber & Buna-N Rubber	-40° - +250° F	SEE CHART	1.5 FT/ SEC	237 - 241
PISTON CUPS	6000 Piston Cups			Buna-N Rubber	-40° - +220° F	0 - 150 PSI	3 FT/ SEC	242 - 243
	8000 Piston Cups			Urethane	-65° - +220° F	0 - 1,200 PSI	3 FT/ SEC	244
	9000 Neo Fab Piston Cups			Fabric Reinforced Rubber	-35° - +220° F	0 - 2,500 PSI	1.5 FT/ SEC	245 - 247
	DAPC One Piece Double Acting Piston Cups			Rubber Lip Zinc Coated Steel Plate	-40° - +220° F	0 - 800 PSI	3 FT/ SEC	248
T- SEALS	TR Rod T-Seals			Buna-N Rubber Seal Hard Plastic Back-Up	-35° - +220° F	0 - 5,000 PSI	3 FT/ SEC	249 - 250

SEAL PROFILE INDEX

INCH SEALS

Type	Prefix	Product Image	Profile	Material	Temp	Pressure	Speed	Page #
T-SEALS	TP Piston T-Seals			Buna-N Rubber Seal Hard Plastic Back-Up	-35° - +220° F	0 - 5,000 PSI	3 FT/ SEC	251 - 254
	TP-L Locking Piston T-Seals			Buna-N Rubber Seal Hard Plastic Back-Up	-35° - +220° F	0 - 5,000 PSI	3 FT/ SEC	255 - 256
	CPS Capped Piston T-Seals			PTFE Cap Nylon Back-Up Rubber Expander	-40° - +220° F	0 - 6,000 psi	4.5 FT/ SEC	257 - 259
	CTC Piston T-Seals for Caterpillar			Buna-N Rubber Seal Hard Plastic Back-Up	-40° - +220° F	0 - 6,000 psi	-	260
UNITIZED PISTONS	PA Unitized Pistons			Steel Piston Glass Filled PTFE Seal Rubber Expander	-40° - +230° F	5,000 PSI	3 FT/ SEC	261
	BOBCAT Unitized Pistons			Steel Piston Glass Filled PTFE Seal Rubber Expander	-40° - +230° F	0 - 5,000 PSI	3 FT/ SEC	262
PISTON SEAL ASSEMBLIES	PS1400 Piston Seals			Glass Filled PTFE Piston Seal Rubber Expander	-40° - +220° F	0 - 5,000 PSI	12 FT/ SEC	263 - 265
	PS1704 Piston Seals			Glass Filled Polyester Rubber Energizer	-40° - +230° F	0 - 5,000 PSI	3 FT/ SEC	266 - 267
	PS1500 Piston Seals			Urethane Seal Rubber Expander	-40° - +200° F	0 - 5,000 PSI	3 FT/ SEC	268 - 269
	PS1600 Two Piece Piston Seals			Glass Filled PTFE Piston Seal Rubber Expander	-40° - +220° F	0 - 5,000 PSI	12 FT/ SEC	270 - 271

SEAL PROFILE INDEX

INCH SEALS

Type	Prefix	Product Image	Profile	Material	Temp	Pressure	Speed	Page #
PISTON SEAL ASSEMBLIES	PS1800 Seals			Glass Filled PTFE Piston Seal Rubber Expander	-40° - +220° F	0 - 5,000 PSI	12 FT/ SEC	272 - 273
	PS1800-V Seals			15% Glass Filled PTFE Piston Seal Rubber Expander	-20° - +400° F	0 - 5,000 PSI	12 FT/ SEC	274 - 275
	PS1850 Piston Seals			Bronze Filled PTFE Piston Seal Rubber Expander	-40° - +220° F	0 - 5,000 PSI	12 FT/ SEC	275 - 277
	PS1850-V Piston Seals			15% Glass Filled PTFE Piston Seal FKM Expander	-20° - +400° F	0 - 5,000 PSI	12 FT/ SEC	278 - 279
	PS1708 Piston Seals			Poly-Trel™ Seal Thermoplastic Rubber Energizer	-40° - +230° F	0 - 5,000 PSI	3 FT/ SEC	280
	PS1900 Piston Seals			Glass Filled PTFE Seal Rubber Energizer	-40° - +220° F	0 - 5,000 PSI	12 FT/ SEC	281
	PS2700 Piston Seals			55D Polyester Piston Seal Rubber Expander	-40° - +220° F	0 - 5,000 PSI	3 FT/ SEC	282 - 283
	PSQ Piston Seals			Bronze Filled PTFE Piston Seal Rubber Expander	-40° - +250° F	0 - 5,000 PSI	6 FT/ SEC	284 - 285
	PS2470 Piston Seals			Bronze Filled PTFE Piston Seal Rubber Expander	-40° - +220° F	0 - 5,000 PSI	12 FT/ SEC	287
	PS914 Step Cut Piston Seals			Glass Filled Nylon Piston Seal Rubber Expander	-40° - +220° F	0 - 6,000 PSI	3 FT/ SEC	288 - 289


SEAL PROFILE INDEX

INCH SEALS

Type	Prefix	Product Image	Profile	Material	Temp	Pressure	Speed	Page #
PISTON SEAL ASSEMBLIES	PS714 Step Cut Piston Seals			Glass Filled Nylon Piston Seal Rubber Expander	-40° - +230° F	0 - 7,250 PSI	3 FT/ SEC	290
	PS2000 Step Cut Piston Seals			Glass Filled Nylon Piston Seal Rubber Expander	-40° - +220° F	0 - 5,000 PSI	3 FT/ SEC	291
	PS3300 Step Cut Piston Seals			Glass Filled Nylon Piston Seal Rubber Expander	-22° - +212° F	0 - 8,700 PSI	3 FT/ SEC	292
	CTC Caterpillar® Two Piece Piston Seals			Glass Filled Nylon or Glass Filled PTFE Piston Seal Rubber Expander	-40° - +220° F -40° - +220° F	-	3 FT/ SEC 12 FT/ SEC	293 - 294
	PSA Piston Seals			90A Nitrile Seal Nylon Back-Up Nylon Bearing	-22° - +212° F	0 - 6,000 PSI	1.5 FT/ SEC	295 - 296
	PSA-58 Three Piece Piston Seals			Fabric Reinforced Piston Seal Polyacetal Anti-Extru- sion Ring	-22° - +212° F	0 - 5,000 PSI	1.5 FT/ SEC	297 - 298
	PSA-59 Three Piece Piston Seals			Fabric Reinforced Piston Seal Polyacetal Anti-Extru- sion Ring	-22° - +212° F	0 - 5,000 PSI	1.5 FT/ SEC	299 - 300
	PSA-65 Piston Seals			Nitrile Seal Polyacetal Anti-Extru- sion Ring	-22° - +212° F	0 - 3,000 PSI	1.5 FT/ SEC	301
	PSA-83 PSA-83-W Piston Seals			Nitrile Piston Seal Polyacetal Anti-Extru- sion Ring & Bearings	-22° - +212° F	0 - 6,000 PSI	1.5 FT/ SEC	302
	PSF Piston Seals			Rubber Seal PTFE Back-Up Polyacetal Anti-Extru- sion Ring	-22° - +212° F	0 - 3,000 PSI	3 FT/ SEC	303



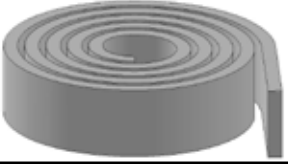

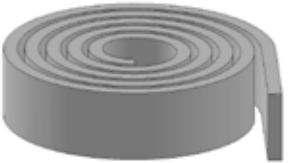














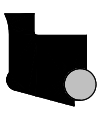
SEAL PROFILE INDEX












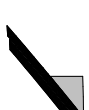



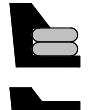




INCH SEALS

Type	Prefix	Product Image	Profile	Material	Temp	Pressure	Speed	Page #
PISTON SEAL ASSEMBLIES	PSC Piston Seals			Urethane Seal Rubber Energizer	-40° - +200° F	0 - 5,000 PSI	3 FT/ SEC	304 - 306
	PSC-F Piston Seals			55D Fluorotrel Seal Nitrile Energizer	-40° - +235° F	0 - 5,000 PSI	3 FT/ SEC	307
	PSM Two Piece Piston Seals			Urethane Seal Rubber Energizer	-40° - +200° F	0 - 5,000 PSI	3 FT/ SEC	308 - 309
	PSM-DPAC Two Piece Piston Seals			Urethane Seal NBR Energizer	-22° - +212° F	0 - 5,800 PSI	1.5 FT/ SEC	310 - 311
	PSU Piston Seals			Urethane	-40° - +200° F	0 - 5,000 PSI	3 FT/ SEC	312 - 313
PISTON RINGS	SPR Iron Piston Rings			Iron	-	-		314 - 320
WEAR RINGS	606-625 Wear Rings			Nylon	-40° - +275° F	-		322 - 328
	PB Hercules® Powerbands			Nylon, Glass Fiber PTFE Blend	-40° - +275° F	-		329 - 331
	614 Rod Bearings			Nylon	-40° - +275° F	-		332 - 333
	615 Rod Bearings			Phenolic	-67° - +248° F	-	3 FT/ SEC	333

SEAL PROFILE INDEX










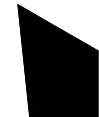










INCH SEALS

Type	Prefix	Product Image	Profile	Material	Temp	Pressure	Speed	Page #
WEAR RINGS	606T 612T Flexible Guide Bearings			PTFE	-50° - +400° F	-	12 FT/ SEC	334 - 335
	612F Flexible Guide Bearings			Fabric Reinforced Polyester	-40° - +250° F	-	3 FT/ SEC	336
	606F 612F Flexible Guide Bearings - Boxed			Fabric Reinforced Polyester	-40° - +250° F	-	3 FT/ SEC	337
	660 Rod Bearings			Bronze	-	-	-	338
	FB Follower Bearings			70D Polyester	-65° - +220° F	-	3 FT/ SEC	338
	MB Modular Back-Up Bearings			Urethane & Nylon	-40° - +230° F	-	3 FT/ SEC	339
	DU Rod Bushings			Bronze Lining PTFE / Lead Overlay Steel Backing	-325° - +536° F	-	12 FT/ SEC	340
WIPER RINGS	ST Wiper Rings			Urethane & Fluorocarbon	URETHANE: -40° - +200° F FLUOROCARBON: -20° - +400° F	-	3 FT/ SEC	341 - 344
	ST-SH Wiper Rings w/ Slotted Heel			90A Urethane	-40° - +200° F	-	3 FT/ SEC	345 - 346
	STXE Wiper Rings			Urethane Rubber Expander	-40° - +200° F	-	3 FT/ SEC	347

Type	Prefix	Product Image	Profile	Material	Temp	Pressure	Speed	Page #
WIPER RINGS	ST-XL Wiper Rings			Urethane	-40° - +230° F	-	3 FT/ SEC	348 - 349
	ST-XL-PM Wiper Rings			55D Polyester	-40° - +250° F	-	12 FT/ SEC	350
	ST-XLF Wiper Rings			Urethane	-50° - +230° F	-	12 FT/ SEC	351
	ST-XLFT Wiper Rings			Urethane	-50° - +230° F	-	12 FT/ SEC	352
	ST-E Wiper Rings			Urethane	-31° - +212° F	-	3 FT/ SEC	353
	SG Seal Guard Metallic Rod Wipers			Bronze Ring Rubber Expander	-40° - +240° F	-	-	354
	AN Wiper Rings			Urethane	-40° - +200° F	-	3 FT/ SEC	355 - 359
	AN-M2 Wiper Rings			Brass	-30° - +300° F	-	-	360
	HW Wiper Rings			Urethane, Buna-N & Fluorocarbon	-40° - +200° F N: -40° - +225° F V: -20° - +350° F HT: -40° - +225° F	-	3 FT/ SEC	361 - 364
	BT Wiper Rings			Urethane	-40° - +200° F	-	3 FT/ SEC	365 - 366




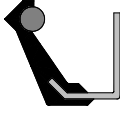







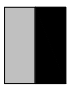








SEAL PROFILE INDEX

INCH SEALS

Type	Prefix	Product Image	Profile	Material	Temp	Pressure	Speed	Page #
WIPER RINGS	KW Wiper Rings			Urethane	-40° - +200° F	-	3 FT/ SEC	368 - 369
	SWNC Wiper Rings			Buna-N	-22° - +212° F	-	3 FT/ SEC	370 - 371
	CAS Wipers			Urethane	-65° - +220° F	-	3 FT/ SEC	371
	SWSN Wipers			Buna-N	-22° - +212° F	-	3 FT/ SEC	372 - 373
	SWNB Wiper Rings			Buna-N	-22° - +212° F	-	3 FT/ SEC	374
	CSW Snap-In Wipers			Nylon	-40° - +212° F	-	3 FT/ SEC	375
	MCKU Metal Clad Wiper Rings			Urethane Lip Steel Case	-31° - +212° F	-	3 FT/ SEC	376
	MCHD Metal Clad Wiper Rings			Urethane Lip Steel Case	-65° - +230° F	-	3 FT/ SEC	377 - 378
	MCU-D Heavy Duty Metal Clad Wiper Rings			Urethane Lip Steel Case	-65° - +230° F	-	3 FT/ SEC	379 - 382
	MCN Metal Clad Wiper Rings			Nitrile Lip Steel Case	-40° - +240° F	-	3 FT/ SEC	383 - 384
















SEAL PROFILE INDEX

INCH SEALS





Type	Prefix	Product Image	Profile	Material	Temp	Pressure	Speed	Page #
WIPER RINGS	CWN Metal Clad Wiper Rings			Nitrile Lip Steel Case	-22° - +212° F	-	3 FT/ SEC	385
OIL SEALS	OS Oil Seals			Rubber Lip Steel Case	-40° - +240° F	10 PSI MAX	3 FT/ SEC	386 - 392
O-RINGS	568 O-Rings			Buna-N Rubber, Fluorocarbon, Silicone, Ethylene Pro- pylene, PTFE, Urethane	-40° - +240° F	VARIABLES ACCORD- ING TO DIAM- ETRAL CLEAR- ANCE	-	398 - 440
	580 O-rings			Buna-N Rubber	-40° - +240° F	VARIABLES ACCORD- ING TO DIAM- ETRAL CLEAR- ANCE	3 FT/ SEC	441 - 445
	QR Quad Rings			Buna-N Rubber	-40° - +240° F	VARIABLES ACCORD- ING TO DIAM- ETRAL CLEAR- ANCE	3 FT/ SEC	446 - 450
	SFS Split Flange Seals			Urethane	-40° - +200° F	0 - 3,000 PSI	3 FT/ SEC	451
	PFS Split Flange Seals			Urethane	-40° - +212° F	0 - 7,200 PSI	-	452
	HS568 Head Seals			Urethane	-40° - +212° F	0 - 10,000 PSI	-	453 - 454
FIBER GASKETS	VMG Fiber Gaskets			Fiber	MAX 250°F	-	-	455
BACK-UP RINGS	573 Back-Up Rings			Hytre	-65° - +275° F	VARIABLES ACCORD- ING TO DIAM- ETRAL CLEAR- ANCE	-	456 - 460

SEAL PROFILE INDEX

INCH SEALS


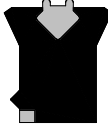
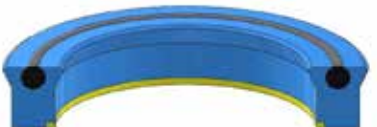


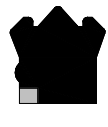














Type	Prefix	Product Image	Profile	Material	Temp	Pressure	Speed	Page #
BACK-UP RINGS	574 "Parback®" Back-Up Rings			90A Buna-N Rubber	-40° - +240° F	VARIES ACCORD- ING TO DIAM- ETRAL CLEAR- ANCE	-	461 - 467
	575 Style 575 Back-Up Rings			Urethane PTFE	Ure- thane -65° - +220° F PTFE: -100° - +500° F	VARIES ACCORD- ING TO DIAM- ETRAL CLEAR- ANCE	-	468 - 481
	576 Split Nylon Back-Up Rings			Nylon	-40° - +250° F	VARIES ACCORD- ING TO DIAM- ETRAL CLEAR- ANCE	-	482
	590 High Performance Back-Up Rings			Hytrek	-40° - +275° F	VARIES ACCORD- ING TO DIAM- ETRAL CLEAR- ANCE	-	483
	595 U-Seal Back-Up Rings			PTFE	-100° - +500° F	VARIES ACCORD- ING - DIAM- ETRAL CLEAR- ANCE	-	484
RETAINER RINGS	VH, WH, WHM, WHT Spiral Internal Retainer Rings		-	Steel	-	-	-	485 - 488
	VS, WS, WST, WSM Spiral External Retainer Rings		-	Steel	-	-	-	489 - 491
	NAN Ea-n NAN Series Internal Retainer Rings		-	Steel	-	-	-	492
	XAN Ea-n XAN Series External Retainer Rings		-	Steel	-	-	-	493
	300 Retainer Rings		-	Steel	-	-	-	494 - 496

INCH SEALS

Type	Prefix	Product Image	Profile	Material	Temp	Pressure	Speed	Page #
RETAINER RINGS	310 Retainer Rings		-	Steel	-	-	-	497 - 498
	RSR Style RSR Retainer Rings		-	Steel	-	-	-	499
	SR U-Seal Retainer Rings			Acetal	-22° - +212° F	-		500

SEAL PROFILE INDEX

METRIC SEALS

Type	Prefix	Product Image	Profile	Material	Temp	Pressure	Speed	Page #
ROD U-SEALS	MRTUB Super-Duty Rod U-Seals			Urethane Seal Nitrile Energizer Polyacetal Back-Up	-50° - +230° F	0 - 6,000 PSI	3 FT/ SEC	504 - 506
	MRUBL Super-Duty Rod U-Seals			Urethane U-Seal Rubber Energizer Polyacetal Back-Up	-50° - +230° F -32° - +140° F (HFA)	0 - 6,000 PSI	3 FT/ SEC	507 - 508
	MRT320			94A Urethane	-34° - +255° F	3,770 PSI 4,640 PSI 5,800 PSI 7,250 PSI	3 FT/ SEC	509 - 510
	MRTU Rod U-Seals			Urethane	-40° - +225° F	0 - 5,000 PSI	3 FT/ SEC	511 - 519
	MRU Rod U-Seals			Urethane	-65° - +230° F	0 - 5,000 PSI	3 FT/ SEC	521 - 529
	MRU- KYB Rod U-Seals			Urethane	-65° - +212° F	0 - 5,000 PSI	3 FT/ SEC	530 - 531
	MRUB Rod U-Seals w/Back-Up Rings			Urethane U-Seal Nylon Back-Up	-65° - +220° F	0 - 5,500 PSI	3 FT/ SEC	532 - 533
	MRTS Rod U-Seals			Urethane	-22° - +212° F	0 - 5,000 PSI	3 FT/ SEC	534 - 537
	MUTS Rod U-Seals			Urethane	-22° - +212° F	0 - 5,000 PSI	3 FT/ SEC	534 - 537
	MRTSB Rod U-Seals			Urethane, Nylon Back-Up	-22° - +212° F	0 - 5,000 PSI	3 FT/ SEC	534 - 537




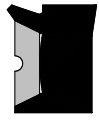





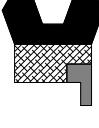

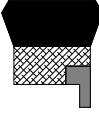








SEAL PROFILE INDEX

METRIC SEALS

Type	Prefix	Product Image	Profile	Material	Temp	Pressure	Speed	Page #
ROD U-SEALS	MRU-LF Rod U-Seals			Urethane	-22° - +230° F	0 - 4,600 PSI	2 FT/ SEC	538
	MHMU Rod U-Seals			Urethane	-50 - +230° F	0 - 5,000 PSI	3 FT/ SEC	539
	MRUN Rod U-Seals			Nitrile	-8° F - +212° F	0 - 2,000 psi W/O BACK-UP 0 - 3,000 psi W/ BACK-UP	3 FT/ SEC	540 - 543
	MRUNB Rod U-Seals w/Back-up Rings			Nitrile Seal Bronze Filled PTFE Back-Up	-8° F - +212° F	0 - 3,000 PSI	3 FT/ SEC	544 - 545
ROD U-SEALS BACK-UP RINGS	MBN Rod U-Seal Back-Up Rings			Nylon	-67° - +212° F	0 - 5,000 PSI	3 FT/ SEC	546 - 547
	MBT Back-Up Rings			PTFE	-100° - +500° F	0 - 5,000 PSI	3 FT/ SEC	548 - 550
ROD SEALS	MSMR Rod Seal w/Back-Up Rings			NBR Seal PU, Acetal, or Fabric/Rubber Header Acetal Anti-Extrusion Ring	-22° - +212° F	0 - 10,000 PSI	3 FT/ SEC	551 - 552
	MUFN-EI Rod Seal w/Back-Up Rings			Nitrile Seal Fabric Reinforced Base Acetal Back-Up	-22° - +212° F	0 - 6,000 PSI	1.5 FT/ SEC	553 - 556
	MUFN-BR Rod Seal w/Headers			Rubber, Fabric, Polyester Elastomer	-22° - +212° F	1.64 FPS / 3,600 PSI 0.49 FPS / 5,800 PSI	1.5 FT/ SEC	557
	MPDS Rod Seal			NBR/NEO-FAB Seal, Acetal Anti-Extrusion Ring	-22° - +230° F	0 - 3,600 PSI	1.5 FT/ SEC	558

SEAL PROFILE INDEX

METRIC SEALS

Type	Prefix	Product Image	Profile	Material	Temp	Pressure	Speed	Page #
ROD SEALS	MUKRN Pneumatic Rod Seals			80A NBR	-22° - +212° F	0 - 1,450 PSI	1.5 FT/ SEC	559 - 561
	PU-TDI Hunger® Hydraulic Rod Seals			Urethane BRZ-PTFE	-31° - +212° F	0 - 6,500 PSI	3 FT/ SEC	562 - 563
	PU-TDT* Hunger® Rod Seals			Urethane	-22° - +212° F	0 - 1,500 PSI	3 FT/ SEC	WEB ONLY
PISTON U-SEALS	MPU Piston Seals			Urethane	-22° - +212° F	0 - 5,000 PSI	3 FT/ SEC	564 - 566
	MUFN-UWO Piston Seals			Rubber / Fabric Seal Acetal Back-Up Bearings	-22° - +220° F	0 - 6,000 PSI	1.5 FT/ SEC	567
	MUFN-PWO Piston Seals			Rubber / Fabric Seal Acetal Back-Up Bearings	-22° - +220° F	0 - 6,000 PSI	1.5 FT/ SEC	568
	MHP26 U-Type Two Piece Piston Seals			Nitrile Seal Nylon Back-Up	-20° - +220° F	0 - 3,000 PSI	3 FT/ SEC	569 - 570
	MHP27 U-Type Piston Seals			Rubber Piston Seal Acetal Back-Up	-20° - +220° F	0 - 4,000 PSI	3 FT/ SEC	570
	MHP28 U-Type Piston Seals			Rubber Piston Seal Nylon Back-Up	-20° - +220° F	0 - 3,000 PSI	3 FT/ SEC	571
	MHP29 U-Type Piston Seals			Urethane Piston Seal Nylon Back-Up	-40° - +200° F	0 - 3,000 PSI	3 FT/ SEC	571

* Product information available online




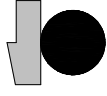

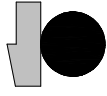

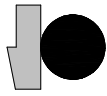












SEAL PROFILE INDEX

METRIC SEALS

Type	Prefix	Product Image	Profile	Material	Temp	Pressure	Speed	Page #
PISTON U-SEALS	MUKPN Pneumatic Piston Seal			80A NBR	-22° - +212° F	0 - 1,450 PSI	3 FT/ SEC	572 - 574
U-SEALS	MUU Symmetrical U-Seals			Urethane	-22° - +212° F	0 - 5,000 PSI	3 FT/ SEC	575 - 586
	MUUL Loaded Symmetrical U-Seals			Urethane Seal Nitrile Energizer	-40° - +200° F	0 - 5,000 PSI	3 FT/ SEC	587 - 595
	MUSN Symmetrical U-Seals			90 Durometer Nitrile	-13° - +212° F	0 - 2,000 PSI	3 FT/ SEC	596 - 599
	MUFN-U Symmetrical U-Seals			Nitrile U-Seal Fabric Reinforced Base	-22° - +212° F	0 - 2,900 PSI	1.5 FT/ SEC	600
	MUFN-P Symmetrical Seals			Nitrile U-Seal Fabric Reinforced Base	-22° - +212° F	0 - 2,900 PSI	1.5 FT/ SEC	601 - 603
CUSHION SEALS	MRT Cushion Seals			Filled Nylon or Reinforced Phenolic	Nylon -67° - +212° F Phenolic -67° - +248° F	0 - 5,000 PSI	-	605 - 607
	MCK53 Cushion Seals			Urethane	-22° - +176° F	0 - 230 PSI	1.5 FT/ SEC	608 - 609
BUFFER SEALS	MYR Buffer Seals			Urethane Buffer Nylon Back-Up	-30° - +220° F	0 - 7,000 PSI	3 FT/ SEC	610 - 611
	MYR-HT Buffer Seals			Urethane Buffer Nylon Back-Up	-67° - +248° F	0 - 7,250 PSI	3 FT/ SEC	612 - 613




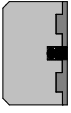











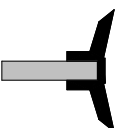

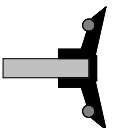


SEAL PROFILE INDEX

METRIC SEALS

Type	Prefix	Product Image	Profile	Material	Temp	Pressure	Speed	Page #
BUFFER SEALS	MYR-KYB Buffer Seals			Urethane	-67° - +212° F	0 - 7,000 PSI	3.3 FT/ SEC	614
	MKR Buffer Seals			Filled PTFE Buffer Rubber Energizer	-40° - +220° F	0 - 5,000 PSI	12 FT/ SEC	615 - 617
	MKR-U Buffer Seals			Urethane Buffer Rubber Energizer	-49° - +212° F	0 - 5,000 PSI	1.6 FT/ SEC	618 - 619
	MKR-V Buffer Seals			PTFE Buffer FKM Energizer	-20° - +400° F	0 - 5,000 PSI	12 FT/ SEC	620 - 621
	MNBR Buffer Seals			Nylon / PTFE Buffer Rubber Energizer	-40° TP +220° F	0 - 5,000 PSI	3 FT/ SEC	622
	MSBR Buffer Seals			Nylon Buffer Rubber Energizer	-40° - +220° F	0 - 5,000 PSI	3 FT/ SEC	623
	MYBR Buffer Seals			Filled PTFE Buffer Rubber Energizer	-40° - +220° F	0 - 5,000 PSI	12 FT/ SEC	624 - 625
	MIR Buffer Seals			Urethane Buffer	-40° - +200° F	0 - 5,000 PSI	3 FT/ SEC	625
	MBRW Buffer Seals			93A Urethane	-30° - +230° F	0 - 7,200 PSI	1.5 FT/ SEC	626
SWIVEL SEALS	MUSW Swivel Seals			Urethane	-50° - +220° F	0 - 5,000 PSI	3 FT/ SEC	627

SEAL PROFILE INDEX


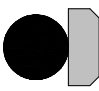

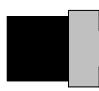

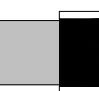

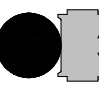





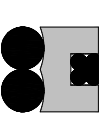





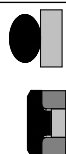
METRIC SEALS

Type	Prefix	Product Image	Profile	Material	Temp	Pressure	Speed	Page #
VEE PACKING	MVS Vee Packing			Rubber & Urethane Rings Nylon Adaptors	-35° - +220° F	0 - 5,000 PSI	1.5 FT/ SEC	628 - 629
UNITIZED PISTONS	JD / NH John Deere® / New Holland Unitized Pistons			Steel Nylon NBR PTFE	-40° - +275° F	0 - 5,000 PSI	3 FT/ SEC	630 - 631
PISTON SEAL ASSEMBLIES	MPK54 Pneumatic DA Piston Seal			70A NBR	-20° F, +220° F	0 - 175 PSI	3 FT/ SEC	632
	MPK62 Pneumatic DA Piston Seal			70A NBR	-20° - +220° F	0 - 175 PSI	3 FT/ SEC	633
	MAPA Pneumatic DA Piston Seal			80 NBR	-30° - +248° F	0 - 142 PSI	3 FT/ SEC	634
	PU-TDA* Hunger® Hydraulic Piston Seal			Urethane BRZ-PTFE	-31° - +212° F	0 - 6,500 PSI	3 FT/ SEC	WEB ONLY
	PU-TDMA* Hunger® Hydraulic Piston Seal			BRZ-PTFE Urethane	-31° - +212° F	0 - 3,600 PSI	3 FT/ SEC	WEB ONLY
	MDPC Pneumatic DA Piston Seal			75A Nitrile	-22° - +220° F	0 - 230 PSI	3 FT/ SEC	635
	MDPCS Hydraulic DA Piston Seal			90A Nitrile	-22° - +220° F	0 - 175 TO 0 - 870 PSI	3 FT/ SEC	636
	MDPC-57			70A NBR	-22° - +220° F	0 - 175 PSI	3 FT/ SEC	637

* Product information available online

SEAL PROFILE INDEX

METRIC SEALS





















Type	Prefix	Product Image	Profile	Material	Temp	Pressure	Speed	Page #
PISTON SEAL ASSEMBLIES	MPS Two Piece Piston Seals			PTFE Piston Seal Nitrile Energizer	-40° - +230° F	0 - 5,000 PSI	12 FT/ SEC	638 - 642
	MPSU Two Piece Piston Seals			55D Polyester Piston Seal Nitrile Energizer	-40 - +230° F	0 - 5,000 PSI	3 FT/ SEC	643 - 644
	MPSU 300 Two Piece Piston Seals			94A Urethane Seal 70/80A Nitrile Energizer	-22° - +212° F	0 - 5,800 PSI	1.5 FT/ SEC	645 - 646
	MKPD Two Piece Piston Seals			97A Urethane Seal 70A Nitrile Energizer	-22° - +210° F	0 - 5,800 PSI	1.5 FT/ SEC	647 - 648
	MPS 2000 Step Cut Piston Seals			Nylon Seal with Nitrile Energizer	-22° F - +230° F	0 - 7,250 PSI	3 FT/ SEC	649 - 650
	MPSQ Piston Seals			40% Bronze filled PTFE, NBR Energizer, NBR Quad-Ring	-40° F - +220° F	0 - 5,000 PSI	6 FT/ SEC	651 - 652
	MPSQ5 Four Piece Piston Seals			Bronze filled PTFE, NBR Energizer, NBR Quad-Ring	-22° - +212° F	0 - 8,700 PSI	-	653
	MBNP Piston Seal Anti-Extrusion Rings			Nylon Back-Up Ring	-65° - +220° F	0 - 5,000 PSI	-	654
	MCPS Four Piece Piston Seals			PTFE Cap Nylon Back-Up Nitrile Energizer	-40° - +220° F	0 - 6,000 psi	4.5 FT/ SEC	655 - 657
	CTC Caterpillar® Specific Piston Seals			See Charts	See Charts	See Charts	-	658 - 659

METRIC SEALS

Type	Prefix	Product Image	Profile	Material	Temp	Pressure	Speed	Page #
PISTON SEAL ASSEMBLIES	MPSA Five Piece Piston Seals			Nitrile Piston Seal Polyacetal Anti- Extrusion Ring	-22° - +212° F	0 - 6,000 PSI	1.5 FT/ SEC	660 - 664
	MPSB Three Piece Piston Seals			Fabric Reinforced Piston Seal Polyacetal Anti- Extrusion Ring	-22° - +212° F	0 - 5,000 PSI	1.5 FT/ SEC	665
	MPSA-58 Three Piece Piston Seals			Fabric Reinforced Piston Seal Polyacetal Anti- Extrusion Ring	-22° - +212° F	0 - 5,000 PSI	1.5 FT/ SEC	666 - 667
	MPSA-59 Three Piece Piston Seals			Fabric Reinforced Piston Seal Polyacetal Anti- Extrusion Ring	-22° - +212° F	0 - 5,000 PSI	1.5 FT/ SEC	668 - 669
	MPSA-65 Three Piece Piston Seals			Nitrile Piston Seal Acetal Bearings	-22° - +212° F	0 - 3,000 PSI	1.5 FT/ SEC	670
	MPSA-750 Three Piece Piston Seals			TPE Cap Nitrile Energizer Polyacetal Anti-Extrusion Rings	-22° - +212° F -32° - +140° F (HFA)	0 - 7,500 PSI	1.0 FT/ SEC	671
	MPSA-PDE Five Piece Piston Seals			Nitrile Plastic POM	-22° - +230° F	0 - 8,700 PSI	1.5 FT/ SEC	672
	MTPS Four Piece Piston Seals			TPE Cap Nitrile Energizer Polyacetal Anti-Extrusion Rings	-40° - +230° F -32° - +140° F (HFA)	0 - 10,000 PSI (DYNAMIC) 0 - 17,400 PSI (STATIC)	1 FT/ SEC	673 - 674
	MNCF Five Piece Piston Seals			Rubber / Fabric Piston Seal PTFE Back-Up Rings Nylon Bearings	-22° - +190° F	0 - 5,000 PSI	1.5 FT/ SEC	675
	PS-GKD Hunger® Five Piece Piston Seals			Urethane Plastic POM	-22° - +248° F	0 - 8,700 PSI	3 FT/ SEC	676 - 677





SEAL PROFILE INDEX

METRIC SEALS

Type	Prefix	Product Image	Profile	Material	Temp	Pressure	Speed	Page #
PISTON SEAL ASSEMBLIES	PS-GD1000K Hunger® Multi-Piece Piston Seals			BRZ-PTFE Urethane Filled POM	-22° - +248° F	0 - 9,000 PSI	3 FT/ SEC	678 - 679
	PISTON RINGS	MSPR Piston Rings			Cast Iron	-	-	-
MBR Piston Rings				Bronze	-	-	3 FT/ SEC	681
WEAR RINGS	MWR Wear Rings			Nylon	-40° - +275° F	-	3 FT/ SEC	682 - 684
	MWRB Wear Rings			Phenolic	-40° - +250° F	-	3 FT/ SEC	685 - 689
	MWRE Wear Rings			Polyetheri- mine Glass Fiber	-60° - +335° F	-	3 FT/ SEC	690
	MWRF Wear Rings			Synthetic Fabric Thermoset Resin	-40° - +309° F	-	-	691
	MWRPEG Wear Rings			Graphite Filled Fabric Reinforced Polyester	-320° - +260° F	-	-	692
	MWRT Wear Rings			Filled PTFE	-100° - +550° F	-	12 FT/ SEC	693 - 694
	MWRZ Wear Rings			Filled PTFE	-100° - +550° F	-	12 FT/ SEC	693 - 694





















SEAL PROFILE INDEX

METRIC SEALS





















Type	Prefix	Product Image	Profile	Material	Temp	Pressure	Speed	Page #
WEAR RINGS	MWRA Wear Rings			Acetal	-40° - +230° F	-	3 FT/ SEC	695
	MGF Flexible Guide Bearings			Fabric Reinforced Polyester	-30° - +265° F	-	3 FT/ SEC	696
	MGF Flexible Guide Bearings - Boxed			Fabric Reinforced Polyester	-30° - +265° F	-	3 FT/ SEC	697
	MGB Flexible Guide Bearings			Bronze Filled PTFE or Glass/Moly Filled PTFE	-50° - +390° F	-	12 FT/ SEC	698 - 699
	MDU Rod Bushings			Bronze Lining PTFE Lead Overlay Steel Backing	-325° - +536° F	-	12 FT/ SEC	700 - 701
	MRB Rod Bushings			Nylon	-40° - +250° F	-	3 FT/ SEC	702
	MWRA-L L-Shaped Rod Wear Rings			Acetal	-40° - +230° F	-	3 FT/ SEC	703
	MBB Piston Bushings			Bronze	-	-	3 FT/ SEC	704
	WRFAI Hunger® Wear Rings			POM-PTFE/ Bronze	-62° - +248° F	-	-	705 - 706
	WRFA Hunger® Wear Rings			POM-PTFE/ Bronze	-62° - +248° F	-	12 FT/ SEC	707 - 708

SEAL PROFILE INDEX

METRIC SEALS


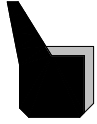

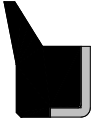









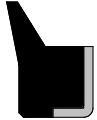






Type	Prefix	Product Image	Profile	Material	Temp	Pressure	Speed	Page #
WEAR RINGS	WRFI Hunger® Wear Rings			POM-PTFE/ Bronze	-62° - +248° F	-	12 FT/ SEC	709 - 710
WIPER RINGS	MSWP Snap-In Wipers			Urethane	-30° - +220° F	-	3 FT/ SEC	711 - 712
	MPRW Wipers			94A Urethane	-34° - +255° F	-	1.6 FT/ SEC	713
	MK51 Rod Wiper / Seal			Urethane	-22° F, +200° F	0 - 230 PSI	3 FT/ SEC	714
	MW38 Snap-In Wipers			55D Polyester	-40° F, +250° F	-	12 FT/ SEC	715 - 717
	MSWE- XLF Snap-In Wipers			93A Urethane or 55D Urethane	-50° - +230° F -40° - +212° F	-	12 FT/ SEC	718 - 719
	MSWE Snap-In Wipers			Urethane	-30° - +200° F	-	3 FT/ SEC	720 - 722
	MSWH24 Wipers			Urethane	-31° - +230° F	0 - 725 PSI	1.5 FT/ SEC	723
	MSWH Snap-In Wipers			Urethane	-30° - +200° F	-	3 FT/ SEC	724 - 726
	MWSCK Snap-In Wipers			Nitrile	-49° - +212° F	-	3 FT/ SEC	727 - 728

METRIC SEALS

Type	Prefix	Product Image	Profile	Material	Temp	Pressure	Speed	Page #
WIPER RINGS	MSW Snap-In Wipers			Urethane	-30° - +200° F	-	3 FT/ SEC	729 - 730
	MSWS / MSWSN Snap-In Wipers			Urethane	-30° - +200° F	-	3 FT/ SEC	731
	MSWXE-T Snap-In Wipers			PTFE/NBR	-22° - +220° F	-	12 FT/ SEC	732 - 733
	MSWSHN Snap-In Wipers			90A Nitrile	-22° - +230° F	-	3 FT/ SEC	734 - 735
	MSWN Snap-In Wipers			Nitrile	-22° - +212° F	-	3 FT/ SEC	736 - 737
	CSWM Snap-In Wipers			Nylon	-40° - +212° F	-	3 FT/ SEC	738
	MDK Snap-In Wipers			Nitrile	-22° - +212° F	-	3 FT/ SEC	739
	MDKP Snap-In Wipers			93A Urethane	-40° - +212° F	-	1.5 FT/ SEC	740
	MCKBI Metal Clad Wipers			Urethane Lip Steel Case	-30° - +200° F	-	3 FT/ SEC	741 - 742
	MCKBI-VE / MCKBI-BHT-VE Metal Clad Wipers			Urethane Lip Steel Case	-30° - +200° F	-	3 FT/ SEC	743 - 744


















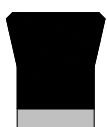


SEAL PROFILE INDEX

METRIC SEALS

Type	Prefix	Product Image	Profile	Material	Temp	Pressure	Speed	Page #
WIPER RINGS	MCW Metal Clad Wipers			Urethane Lip Steel Case	-30° - +200° F	-	3 FT/ SEC	745 - 746
	MCWE Metal Clip Wiper			Urethane Lip Steel Case	-40° - +200° F	-	3 FT/ SEC	747 - 748
	MCWI/ MCWIR Metal Clad Wipers			Urethane Lip Steel Case	-30° - +200° F	-	3 FT/ SEC	749 - 751
	MCWIN Metal Clad Wipers			Nitrile Lip Steel Case	-13° - +212° F	-	3 FT/ SEC	752
	MCWS Metal Clad Wipers			Urethane Lip Steel Case SS Spring	-40° - +200° F	-	3 FT/ SEC	753
	MCKB Metal Clad Wipers			Nitrile Lip Steel Case	-20° - +250° F	-	3 FT/ SEC	754 - 755
	MCWN Metal Clad Wipers			Nitrile Lip Steel Case	-30° - +220° F	-	3 FT/ SEC	756 - 758
	MCWHD Metal Clad Wipers			Urethane Lip Steel Case	-65° - +230° F	-	3 FT/ SEC	759
DUST SEALS	MDS Link Pin Dust Seals			Nitrile Lip Steel Case	-40° - +220° F	-	3 FT/ SEC	760
	MDSU Link Pin Dust Seals			Urethane Lip Steel Case	-30° - +200° F	-	3 FT/ SEC	761












SEAL PROFILE INDEX

METRIC SEALS











Type	Prefix	Product Image	Profile	Material	Temp	Pressure	Speed	Page #
DUST SEALS	MCWA Metal Clad Dust Seals			Urethane Lip Steel Case	-30° - +200° F	-	3 FT/ SEC	762 - 764
OIL SEALS	MOS Oil Seals			Rubber Lip Steel Case	-40° - +225° F	10 PSI @ 1,000 FPM	3 FT/ SEC	765 - 767
	RVA Oil Seals			Nitrile	-40° - +225° F	0 - 5 PSI	1.5 FT/ SEC	768 - 769
	MOS- BABSL BABSLV Shaft Seals			Nitrile/ Fluorocarbon	-40° - +212° F/ -40° - +320° F	-	-	770
O-RINGS	MOR O-Rings			70A or 90A Durometer Nitrile or 75A Durometer Fluorocarbon	-40° - +220° F	-	3 FT/ SEC	773 - 791
	OBVD Static Seals			Nitrile O-Ring Urethane Back-Up	-22° - +212° F	0 - 7,250 PSI	3 FT/ SEC	793
HEAD SEALS	MHS8 Head Seals			93A Urethane	-31° - +230° F	0 - 7,250 PSI	STATIC	795 - 796
	MCVR84 Cover Seals			95A Urethane	-22° - +212° F	0 - 8,700 PSI	STATIC TO 3FT/ SEC	797 - 798
	MHSNB Head Seals			Nitrile Seal Urethane Back-Up	-31° - +230° F	0 - 7,250 PSI	STATIC	799
	MUHS Head Seals			Polyester Elastomer	-22° - +212° F -40° - +140° F (HFA)	0 - 7,250 PSI	STATIC	800

SEAL PROFILE INDEX

METRIC SEALS











Type	Prefix	Product Image	Profile	Material	Temp	Pressure	Speed	Page #
BACK-UP RINGS	MBT Back-Up Rings			PTFE	-100° - +500° F	-	-	801 - 803
	MBU Back-Up Rings			Urethane	-40° - +200° F	-	-	804 - 806
RETAINER RINGS	MSL Spiral Internal Retainer Rings		-	Steel	-	-	-	806
	MNAN Internal Retainer Rings		-	Steel	-	-	-	806
	M300 Internal Retainer Rings		-	Steel	-	-	-	807
	M310 External Retainer Rings		-	Steel	-	-	-	808
	M300-DHT Internal Retainer Rings		-	Steel	-	-	-	809
	MSR U-Seal Retainer Rings			Acetal	-22° TO +212° F	-	-	810

REPAIR ACCESSORIES











Type	Prefix	Product Image	Products / Material	Page #
REPAIR ACCESSORIES	CAP Cap Plugs		Tapered for Miscellaneous Applications, NPT Style Ports, and with Pull Rings. Female threaded for JIC Fittings, O-Ring and Flat Face Fitting Caps, Male Threaded Pipe and cap plugs for flared JIC Fittings.	814 - 818
	BOLTED SPLIT Flange Protectors		3,000 PSI and 5,000 PSI Flanges	818
	Face and Thread Seals		Steel Washer and Rubber Seal for Style 110 and SB Face Seals, and Thread Seals	819 - 820
	Wave Springs and Shim		Wave Springs and Carbon Steel Shims	822 - 823
	LN Lock Nuts		Grade C Locknuts and Nylon Insert Locking Nuts	824 - 825
	HH & MHH Self Aligning Bearings		Inch and Metric Carbon Chromium Steel	826 - 827
	SS Set Screws		17 Various sizes	828
	NY-PLUG Nylon Plugs		15 Various sizes	828
	LOCK WIRE Wind-In		7 Various sizes	828
	FV Filter Vent Plugs		6 Various sizes	828

SEAL PROFILE INDEX

REPAIR ACCESSORIES

Type	Prefix	Product Image	Products / Material	Page #
REPAIR ACCESSORIES	Steel Plugs and Vents		Steel Plugs (O-Ring Boss), NPT Steel Plug and NPT Air Vent	828
	WH Manual Bleeder Valves		1/8 NPT	828
	SHTPP Port Plugs		Zero-Leak Gold Standard Thread	830
	Bushings		Split Tension	831
	Adhesives		Loctite and Thread Locker Adhesives	832
	SEAL LUBE		O-ring Lubricant	832
	GF Grease Fittings		Grease Fittings in 8 various sizes and Grease Fitting Cap	832
	TAPE		PTFE / Silicone	833
	CP Cotter Pins		Carbon Chromium Steel - 16 Sizes	833
	MCPL Couplings		4 Various sizes - 50H, 110H, 140H and 50A	834

KITS AND TOOLS

Type	Prefix	Product Image	Products / Material	Page #
KITS AND TOOLS	O-Ring Kits		Inch and Metric Standard, Industrial and Warehouse O-Ring Assortment Kits. Kit include materials such as 70 and 90 Durometer, Fluorocarbon and PTFE. Additional kits include: Boss, Flange, Quad, Face and Hose End & Adapter.	836 - 844
	O-Ring Splice Kits		Inch and Metric Sizes, in 70 Durometer Buna and 75 Durometer Fluorocarbon O-Ring Cords.	845
	Back-Up Kits		Various Back-up Ring Kits include materials such as 90A Durometer Buna-N Rubber, Urethane and PTFE.	846
	Retainer Ring Kits		Eaton, Spiral Wound and Internal/External Retainer Ring Kits. All rings are made in the USA from carbon spring steel.	847
	Assortment Kits		Assortment kits include d-ring, silicone, flange and nitrile seals for use on Caterpillar®, John Deere and Komatsu® equipment. Additional assortment kits include Nitrile and Fluorocarbon O-ring, Cotter Pin, Woodruff Key, Grease Fitting, Set Screw, Cap and Nylon Plug and Seal Tools.	848 - 852
	Installation Tools		Various Rod U-Seal Installation Tools	852 - 854
	Splicing Tools		Various Splicing Kits and Tools	853
	Cutting and Chopping		Various Cutters and Choppers for Wear Rings and O-ring Cord.	853
	Removal Tools		Removal tools include Oil Seal Removal and Installation, Assorted O-Ring Pick Sets, Packing Hooks, Chevron Assembly, Woodscrew and Corkscrew Tip, Stop Ring Wrenches and Solid Shaft Picks.	854 - 857
	Dismantling Tools		Dismantling Tools include Spanner Wrenches and Parker Gland Wrenches.	858

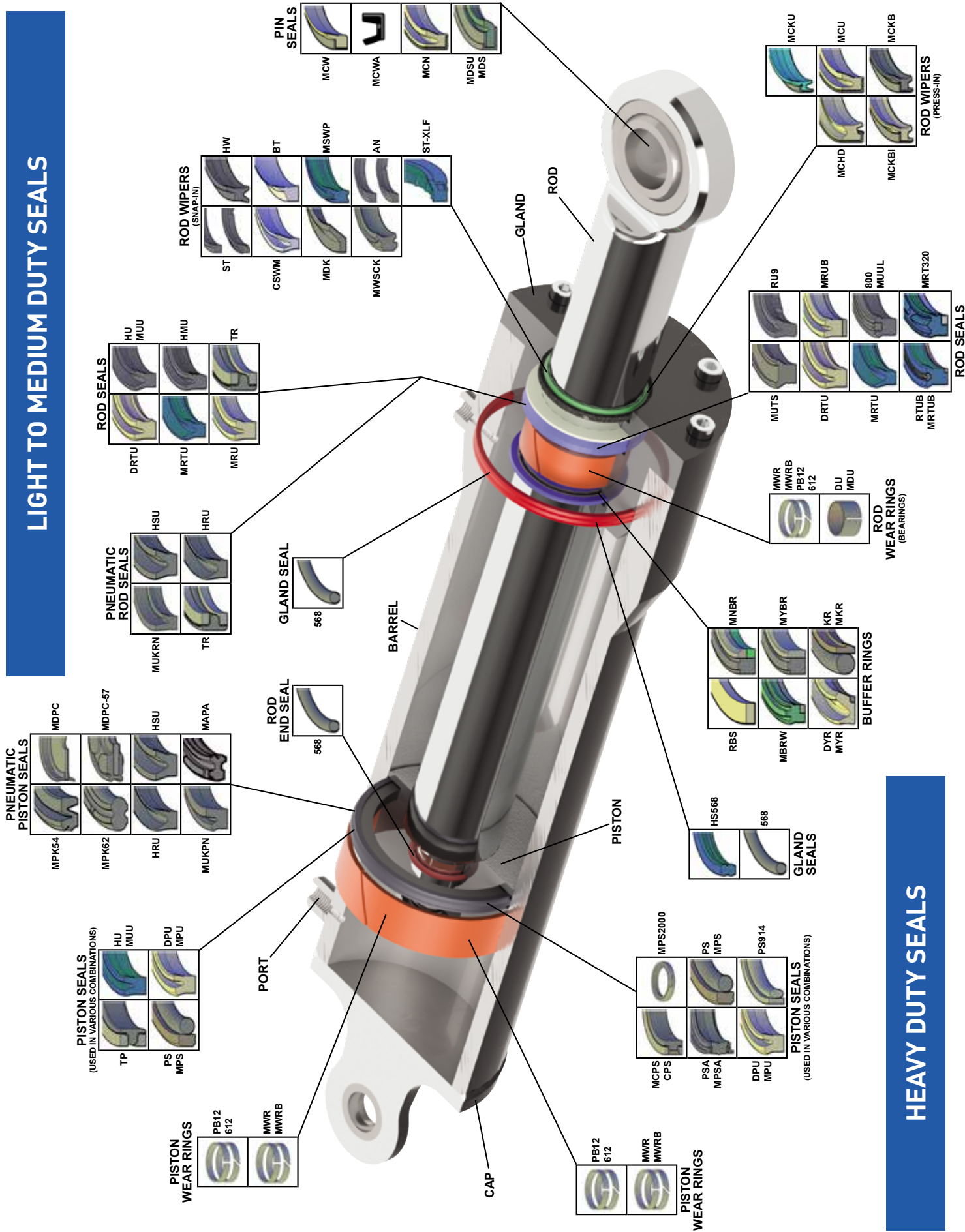
SEAL PROFILE INDEX

KITS AND TOOLS

Type	Prefix	Product Image	Products / Material	Page #
KITS AND TOOLS	Slings		Sling-Nylon	859
	Leak Detection		Leak Detection includes the Ultimate Leak Detection Kit, along with various Leak Detection Products.	859
	Remanufacturing Tools		Remanufacturing Tools include Hone Stone Sets, Portable Hones, Honing Oil, Piston Seal Stretcher and Reforming Tool and the Mini Grinder.	860 - 862
	Rotary Thread		Rotary Thread includes the 15 piece Master Tool Kit, along with various Rotary Thread Products.	863 - 865
	Hose Fitting Kits		Various Hydraulic Hose Fitting Kits include Fitting Towers, Hose Fitting Kits, Hydraulic Brass Fitting Kits, Hydraulic Cylinder Mini Fitting Kits, and Bonded Seal Kits	866 - 870
	Measuring Tools		Various Measuring tools including Calipers, O-Ring Measuring Cone, Gauge and Chart. Additional tools include Pi Tape, a power punch set and several reference charts for seals, O-rings and Cylinders.	870 - 873
	Hercules Merchandise		Everything you need to be recognized as a Genuine Hercules Repair Parts Provider. Merchandise includes hats, polo shirts, mugs, counter mats, t-shirts and counter stools.	874

TYPICAL SEALING COMPONENTS

LIGHT TO MEDIUM DUTY SEALS



HEAVY DUTY SEALS

CUSTOM SEAL CONFIGURATOR

Fast, Easy to Use • Real Time Pricing & Availability
• Dozens of Profiles to Choose From

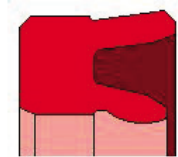
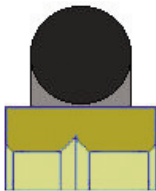
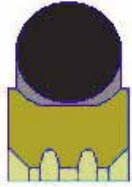
Added Features Include:

Save it to Your List

Add to Cart

Email Quote Directly to Your Customers

Order History



Go To www.HerculesUS.com
Click on Custom Seals Tab
and Create Your Custom Seal!

HERCULES SEALS ON DEMAND Custom Seal Configurator

We inventory a wide range of materials ranging in size from 7/16" (11 mm) diameter to 24" (610 mm). This allows us to provide fast high quality seals in various combinations of sizes, materials, and configurations.

If we don't stock it, we'll make it!



Scan **NOW** to log in or register to customize your seal using our Seal Configurator today!

***Same day service for Next Day Air orders entered before 5:00PM**
Some exclusions may apply

Online Ordering Available!

Go to www.HerculesUS.com

Web Features Include:

- Real-Time Inventory
 - Search by Size
 - Multi PO Ordering
- Search by Machine Type
 - Part Substitution
 - Billing Portal
- Large Order Upload
- Wish List and Much More.



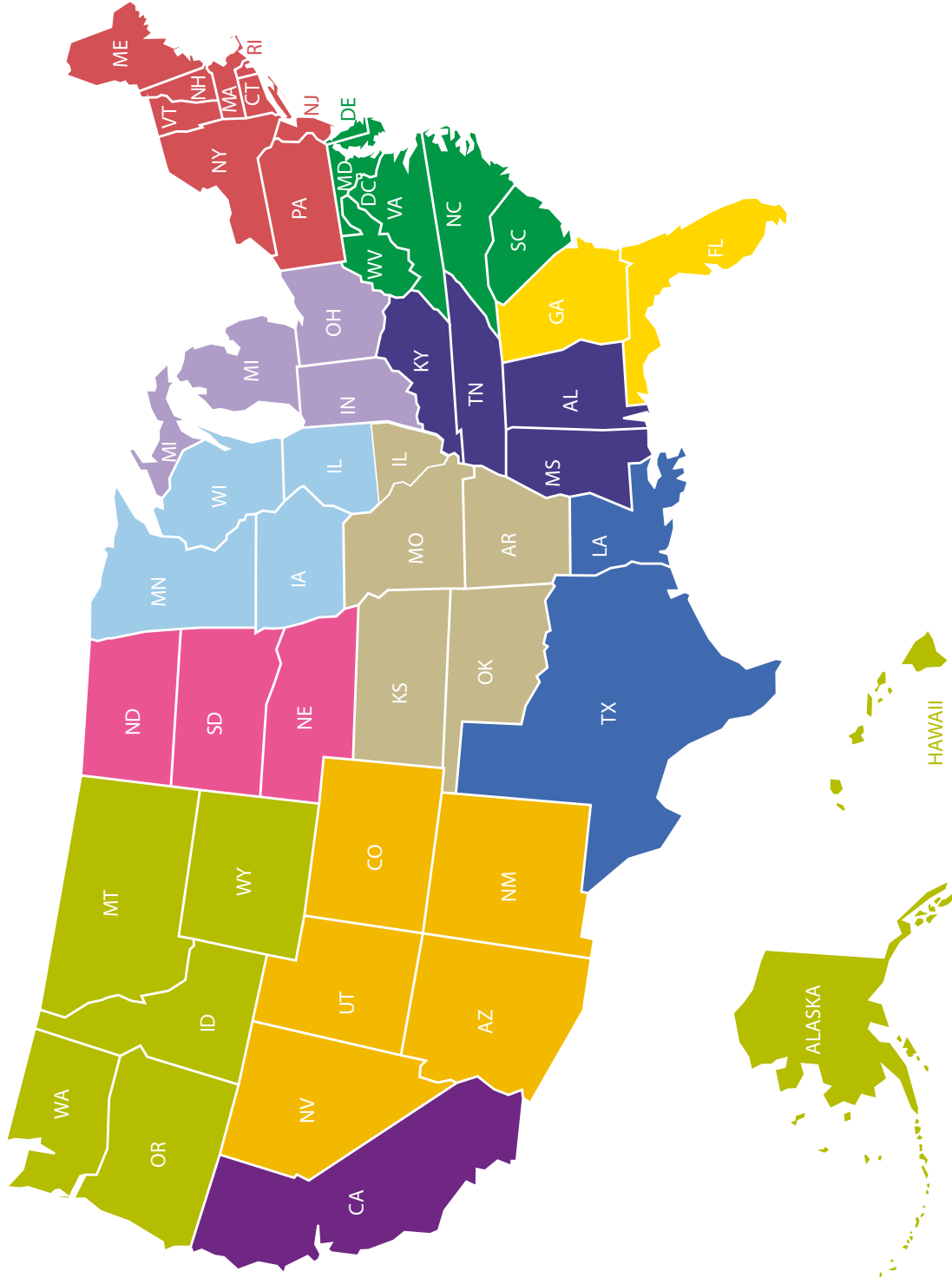
Now we offer extended webstore hours for
Next-day air delivery!
Place your orders by **8:30pm EST** and receive
your shipment the following day!

REGIONAL TERRITORY MAP

- Richard Ginter**
 Email: rginter@herculesus.com
 Phone: 727.336.3775
- Harry Conn**
 Email: hconn@herculesus.com
 Phone: 804.317.1715
- Michelle Robinson**
 Email: mrobinson@herculesus.com
 Phone: 727.509.0268
- Ben Emtman**
 Email: beamtman@herculesus.com
 Phone: 727.212.1381
- Tyler Loiseau**
 Email: tloiseau@herculesus.com
 Phone: 727.330.0530
- Jason Looker**
 Email: jlooker@herculesus.com
 Phone: 727.330.0666
- Josh Saulsbury**
 Email: jsaulsbury@herculesus.com
 Phone: 727.386.2487
- Daniel Edmond**
 Email: dedmond@herculesus.com
 Phone: 727.336.3881
- Tim Lee**
 Email: Tlee@herculesus.com
 Phone: 727.336.3467
- Darren Wallace**
 Email: dwallace@herculesus.com
 Phone: 727.235.9035
- Gabriel Flores**
 Email: gflores@herculesus.com
 Phone: 727.796.1300
- Inside Sale**
 Email: sales@herculesus.com
 Phone: 727.796.1300

Industrial MRO Specialists

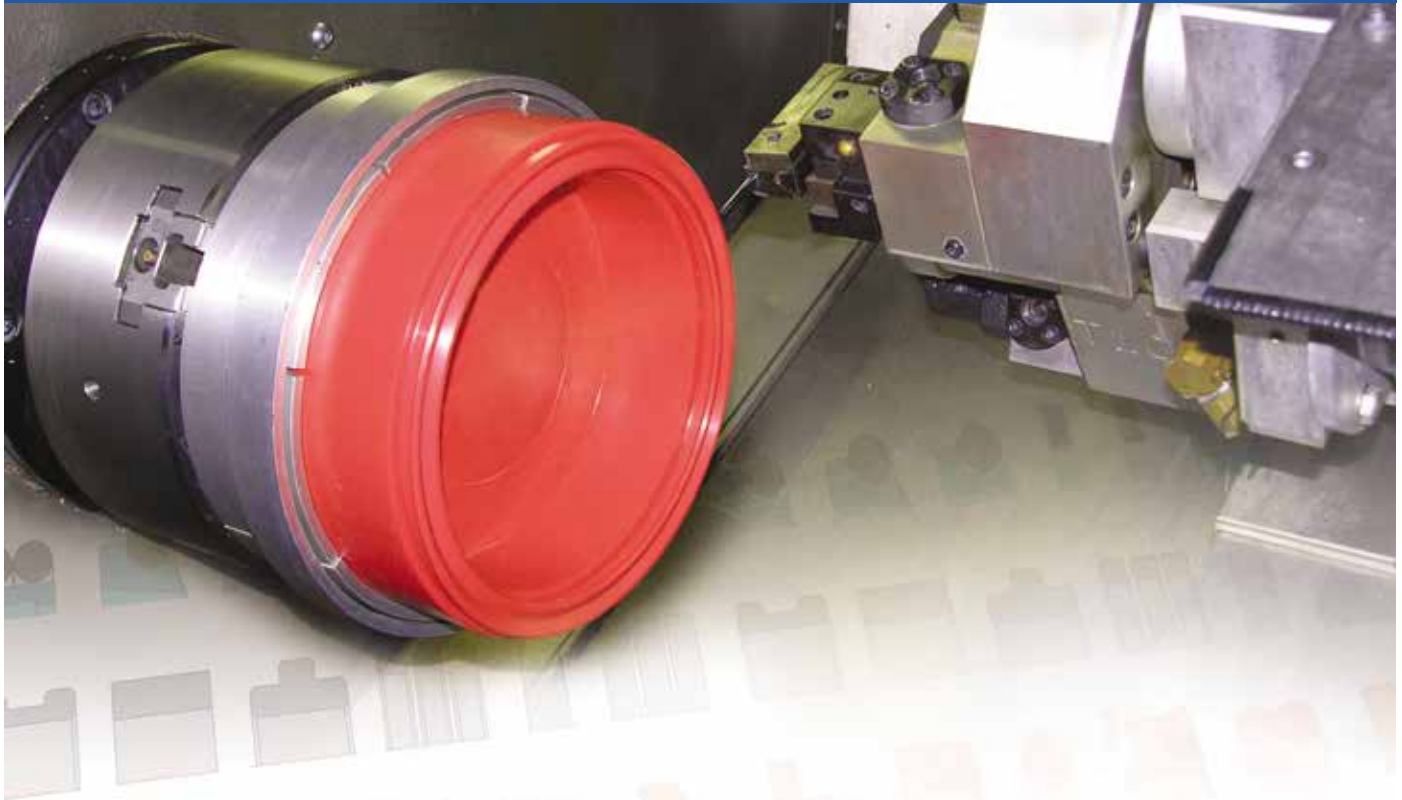
- Robbie Davis**
 Email: rdavis@herculesus.com
 Phone: 727.420.4340
- Greg Berlin**
 Email: gberlin@herculesus.com
 Phone: 727.754.0926



Custom Seals

Contents	Page
Piston Seals	51
Rod Seals	52
Wiper Rings	53
Rotary Seals	54
Gaskets / Back-Up Rings	55
Guide-Rings	55
Ordering Information	55
Material Index	56 - 57

SEALS ON DEMAND



Using advanced rapid-prototype technology, Hercules® Seals On Demand offers you a wide selection of custom, cost-effective sealing solutions. Our versatile programmable production machines are capable of crafting and producing a wide range of hydraulic and pneumatic seals to suit your specific needs of O-Rings, rod seals, piston seals, wipers, back-up rings, rotary seals, swivel seals and static seals. Choose from both imperial and metric sizes for almost any fluid power application, including agriculture, automotive, heavy construction, material handling, manufacturing, mining, logging, fluid handling and refuse.

Hercules® Seals On Demand technology gives you the ability to source custom manufactured products with a short turn-around time and with no mold costs. Hercules® Seals On Demand design software offers over 100 common industry profiles

and can produce countless custom designs. The advanced lathe technology results in exceptional sealing products with smooth corners and fillets, fine surface finishes and sharp lips. Hercules® Seals On Demand has a large inventory of high quality materials in a wide range of sizes from 1/2" to 24". Material choices including rubber and urethane to plastics of fluoropolymers (PTFE) and Acetal (POM). All in stock and ready for next day delivery!

The following technical information illustrates common housings for each seal profile. Included in each seal application is a chart detailing the recommended dimensions for typical housing sizes. Hercules Sealing Products offers design assistance for non-standard and custom application needs, which may exceed the size ranges in these recommended charts. To reach our technical department, please call 1.800.777.5617 and press 8.

PISTON SEALS

TWO PIECE SEAL



A	B	C
10 - 15	D - 4.9	2.2
15.1 - 40	D - 7.5	3.2
40.1 - 80	D - 11	4.2
80.1 - 135	D - 15.5	6.3
135.1 - 300	D - 21	18.1
300.1 - 575	D - 24.5	8.1

Standard recommended dimensions, in millimeters

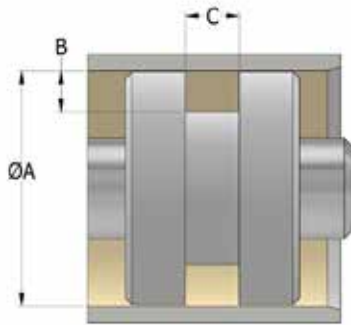
Application: Hydraulic double acting piston seals
Material: Urethane, NBR, PTFE, Fluorocarbon

TWO PIECE SEAL STEP CUT



A	B	C
38 - 40	D - 7.5	3.2
40.1 - 80	D - 11	4.2
80.1 - 135	D - 15.5	6.3
135.1 - 300	D - 21	8.1
300.1 - 394	D - 24.5	8.1

Standard recommended dimensions, in millimeters



PNEUMATIC U-SEAL



DK105 DK141 DK205
Pressure: 350 psi max
Application: Hydraulic and Pneumatic single acting piston seals
Material: Urethane, NBR, PTFE, Fluorocarbon

A	B	C
15 - 25	d - 8	6
25.1 - 50	d - 10	7
50.1 - 150	d - 12	8
75.1 - 150	d - 15	10
150.1 - 300	d - 20	12
300.1 - 450	d - 25	18
450.1 - 575	d - 30	20

Standard recommended dimensions, in millimeters

U-SEAL

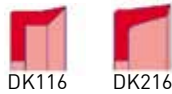


DK101 DK102 DK102R DK103
DK104 DK104R DK106 DK107
DK118 DK119 DK139 DK123
Application: Hydraulic single acting piston seals
Material: Urethane, NBR, PTFE, Fluorocarbon

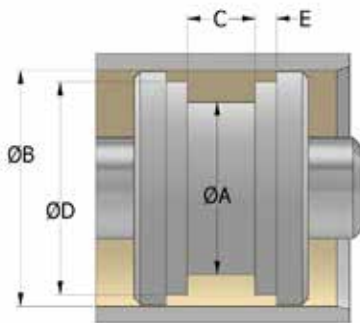
A	B	C
15 - 25	D - 8	6
25.1 - 50	D - 10	7
50.1 - 75	D - 12	8
75.1 - 150	D - 15	10
150.1 - 300	D - 20	12
300.1 - 450	D - 25	18
450.1 - 575	D - 30	20

Standard recommended dimensions, in millimeters

PISTON CUP



DK116 DK216
Application: Hydraulic single acting piston seals
Material: Urethane, NBR, PTFE, Fluorocarbon



COMPACT SEAL



DK109 DK109D
DK109H DK109N
DK117 DK122 DK222
Application: Hydraulic double acting piston seals
Material: Urethane, NBR, PTFE, Fluorocarbon

B	A	D	C	E
20 - 50	D - 10	D - 3	12.5	4
50.1 - 80	D - 15	D - 4	20	4
80.1 - 150	D - 20	D - 5	25	5.5
150.1 - 300	D - 25	D - 6	32	7
300.1 - 600	D - 30	D - 8	36	2.8

Standard recommended dimensions, in millimeters

ROD SEALS

U-SEALS

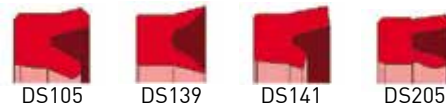


A	B	C
8 - 25	d + 8	6
25.1 - 50	d + 10	8
50.1 - 150	d + 15	10
150.1 - 300	d + 20	14
300.1 - 450	d + 25	17
450.1 - 575	d + 30	20

Standard recommended dimensions, in millimeters

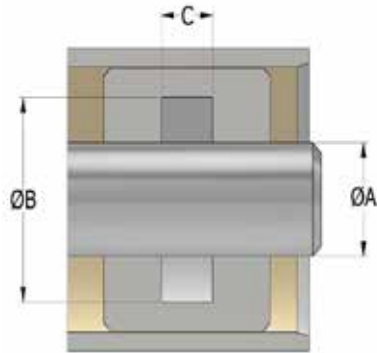
Application: Hydraulic single acting rod seals
Material: Urethane, NBR, PTFE, Fluorocarbon

PNEUMATIC U-SEALS



Application: Hydraulic single acting rod seals
Material: Urethane, NBR, PTFE, Fluorocarbon

ONE & TWO PIECE SHAFT SEALS



A	B	C
8 - 10	d + 4.9	2.2
10.1 - 39	d + 10.7	4.2
39.1 - 199	d + 15.1	6.3
199.1 - 259	d + 20.5	8.1
259.1 - 575	d + 24	8.1

Standard recommended dimensions, in millimeters

Application: Hydraulic double acting rod seals
Material: Urethane, NBR, PTFE, Fluorocarbon

VEE PACKING

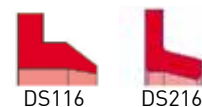


Application: Hydraulic single acting seals
Material: Urethane, NBR, PTFE, Fluorocarbon

A	B	C
10 - 40	d + 10	16
40.1 - 75	d + 15	25
75.1 - 150	d + 20	32
150.1 - 200	d + 25	40
200.1 - 300	d + 30	50
300.1 - 575	d + 40	63

Standard recommended dimensions, in millimeters

HAT PACKING



Application: Hydraulic single acting seals

WIPERS

SINGLE ACTING WIPERS

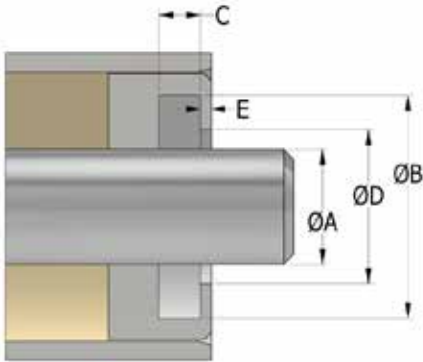


DA114 DA113 DA213 DA108

Application: Single acting wiper
Material: Urethane, NBR, PTFE, Fluorocarbon

A	B	C
8 - 50	d + 4	5
50.1 - 100	d + 5	5
100.1 - 575	d + 7.5	7

Standard recommended dimensions, in millimeters



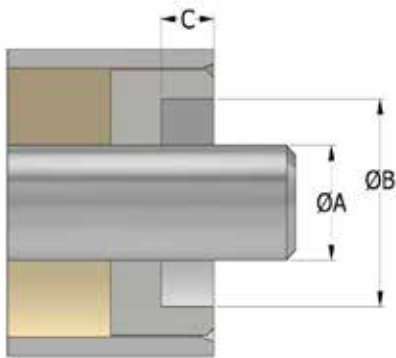
SINGLE & DOUBLE ACTING WIPERS



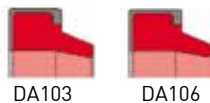
Application: W102, W105, W115 - Single acting wiper
 W111, W211, W116, W117 - Single and double acting wiper
Material: Urethane, NBR, PTFE, Fluorocarbon

A	B	C
8 - 50	d + 4	5
50.1 - 100	d + 5	5
100.1 - 575	d + 7.5	7

Standard recommended dimensions, in millimeters



SINGLE ACTING WIPERS

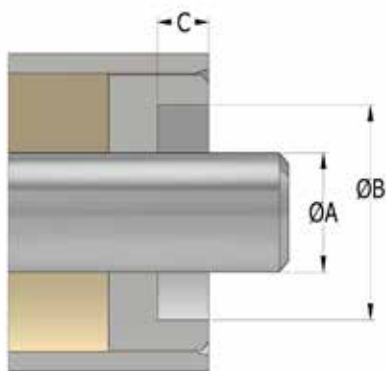


Application: Single acting wiper
Material: Urethane, NBR, PTFE, Fluorocarbon

A	B	C
8 - 10	d + 8	5
10.1 - 100	d + 9	7
100.1 - 200	d + 15	9
200.1 - 575	d + 20	12

Standard recommended dimensions, in millimeters

ROTARY SEALS



DOUBLE ACTING PISTON ROTARY SEALS

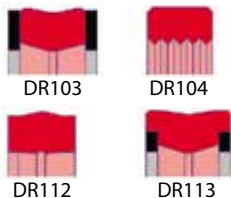


Application: Hydraulic double acting piston seals
Material: Urethane, NBR, PTFE, Fluorocarbon

A	B	C
10 - 20	D - 4.9	2.2
20.1 - 50	D - 7.5	3.2
50.1 - 150	D - 11	4.2
150.1 - 300	D - 15.5	6.3
300 - 600	D - 21	8.1

Standard recommended dimensions, in millimeters

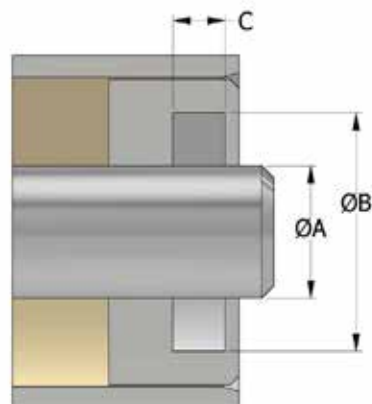
DOUBLE ACTING ROD ROTARY SEALS



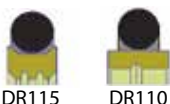
Application: Hydraulic double acting rod seals
Material: Urethane, NBR, PTFE, Fluorocarbon

A	B	C
8 - 10	d + 4.9	2.2
10.1 - 39	d + 10.7	4.2
39.1 - 199	d + 15.1	6.3
199.1 - 259	d + 20.5	8.1
259 - 575	d + 25	8.1

Standard recommended dimensions, in millimeters



DOUBLE ACTING ROD ROTARY SEALS



Application: Hydraulic double acting rod seals
Material: Urethane, PTFE, Urethane

A	B	C
8 - 20	d + 4.9	2.2
20.1 - 50	d + 7.5	3.2
50.1 - 150	d + 11	4.2
150.1 - 300	d + 15.5	6.3
300.1 - 575	d + 21	8.1

Standard recommended dimensions, in millimeters

SINGLE ACTING SHAFT SEALS



Application: Hydraulic single acting shaft seals
Material: NBR, Fluorocarbon

A	B	C
10 - 60	d + 12	7
60.1 - 140	d + 15	8
14.1 - 300	d + 20	10
300.1 - 450	d + 30	12
450.1 - 575	D + 40	20

Standard recommended dimensions, in millimeters

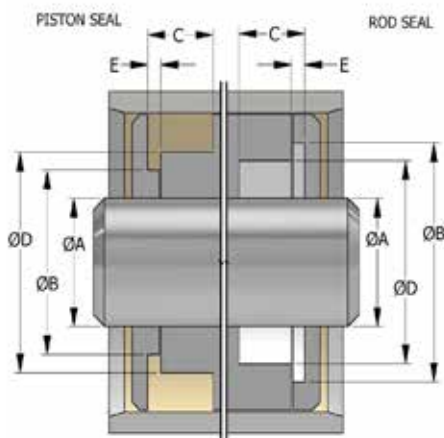
SPRING ACTIVATED SHAFT SEALS



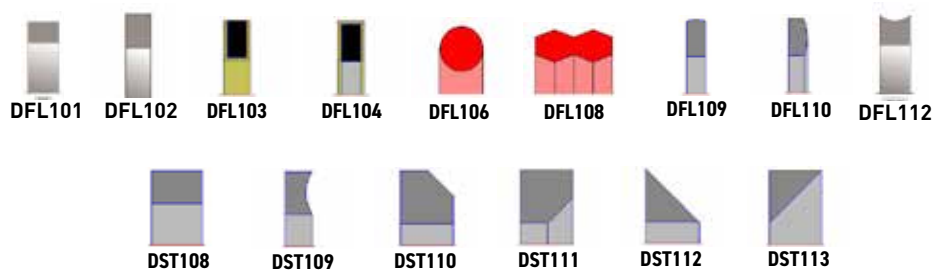
Application: Hydraulic single acting shaft seals
Material: PTFE

A	B	D	C	E
8 - 20	d + 9	d + 5	36	0.85
50.1 - 80	d + 12.5	d + 7	4.8	1.35
80.1 - 150	d + 17.5	d + 10.5	7.1	1.8
150.1 - 300	d + 22	d + 14	9.5	2.8

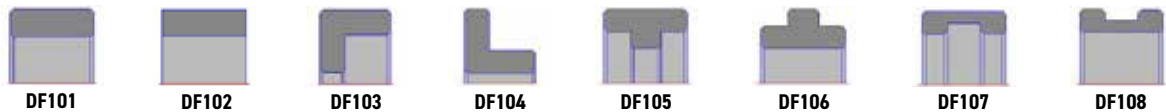
Standard recommended dimensions, in millimeters



GASKET / BACK-UP RINGS



GUIDE-RINGS



SEALS ON DEMAND

To place an order Call **1.800.777.5617** and press **8**

Please provide the following information:

- Groove dimensions
- Seal profile
- Seal material

OR go to our website at www.HerculesUS.com and click on the CUSTOM SEALS tab at the top of the page.

The Hercules® Seals On Demand inventory includes sizes from 1/4" to 24", 15 material choices; Hundreds of combinations, all in-stock and ready for next day delivery!

MATERIAL INDEX

Material Specifications:

- 96A Hydrolysis Resistant Polyurethane (HPU) (Red)
- 94A Cast Hydrolysis Resistant Polyurethane (C-HPU)(Red)
- AU30000 Urethane (30K)(Blue)
- 55D Hytrel (Orange)
- 85A NBR (Black)
- 85A HNBR (Green)
- 85A Fluorocarbon / Viton (FPM)(Brown)
- 85A EPDM (Black)
- Virgin PTFE (White)
- 15% Glass/5% Moly PTFE (Grey)
- 40% Bronze/PTFE (Bronze)
- 85D Polyacetal (POM) (White)
- 77D Polyamide (PA) (Black)
- 61D UHMW - PE (White)
- 86D Virgin PEEK (Cream)
- 86D Synthetic Fabric Thermoset Resin (SFTR) (Turquoise)

MATERIAL			HPU	C-HPU Cast	Freudenberg® AU 30000 Urethane	Hytrel	NBR	HNBR	FPM	EPDM	PTFE Virgin
Property	Specification	Unit									
Color			Red	Red	Blue	Orange	Black	Green	Brown	Black	White
Min Service Temp		°F	-5	-35	-40	-40	-35	-30	-30	-50	-325
Max Service Temp		°F	240	230	250	248	230	300	425	300	500
Max Temp - Water/Steam		°F	195	195				245	300	300	
Max Temp - Hot Air (short)		°F						355	570	355	
Hardness	ASTM D 2240	Shore A	96±2	94±1	94+3/-4		85±5	85±5	85±5	85±5	
Hardness	ASTM D 2240	Shore D	47±3	44±3	45±5	55					50-65
Modulus 100%	ASTM D 412	psi	2900	2175	2030◀	2250	1740	1450	1160		
Modulus 300%	ASTM D 412	psi	5800	4160	3190◀						
Tensile Strength	ASTM D 412	psi	6200	7250	8992◀	6100▲	2300	2900	1450	1740	6000▲
Elongation at break	ASTM D 412	%	300	350	550◀	520▲	150	200	200	80	300▲
Tear Strength	ASTM D 624 die C	lbf/inch	570	560	713		140	170	34	50	
Abrasion	ASTM D 1630	mm3	17	20			130	130	200	140	
Specific Gravity	ASTM D 792	g/cm3	1.19	1.19	1.17	1.19	1.32	1.32	2.51	1.23	2.2
Rebound Elasticity	DIN 53512	%					20		7	37	
Modulus of Elasticity	DIN 53457	N/mm2									
Compressive Strength	ASTM D 695	psi									3500
Compressive Modulus	ASTM D 695	psi									70000
Compression Set											
70°C/24hr @ 20% def	ASTM D 395 Meth B	%	25	27		40%	6	14	8	7	
100°C/24hr @ 20% def	ASTM D 395 Meth B	%	30	33	31		5	22	10		

* Lead time required	▼Spec - DIN 53505
▲Spec - ASTM D 638	◀Spec - DIN 53504
▶Spec - DIN 53455	●Spec - DIN 53479

MATERIAL INDEX

Material Specifications:

- 96A Hydrolysis Resistant Polyurethane (HPU) (Red)
- 94A Cast Hydrolysis Resistant Polyurethane (C-HPU)(Red)
- AU30000 Urethane (30K)(Blue)
- 55D Hytrel (Orange)
- 85A NBR (Black)
- 85A HNBR (Green)
- 85A Fluorocarbon / Viton (FPM)(Brown)
- 85A EPDM (Black)
- Virgin PTFE (White)
- 15% Glass/5% Moly PTFE (Grey)
- 40% Bronze/PTFE (Bronze)
- 85D Polyacetal (POM) (White)
- 77D Polyamide (PA) (Black)
- 61D UHMW - PE (White)
- 86D Virgin PEEK (Cream)
- 86D Synthetic Fabric Thermoset Resin (SFTR) (Turquoise)

MATERIAL			PTFE 15% Glass 5% Moly	PTFE 40% Bronze	POM	PA Nylon	UHMW-PE*	PEEK*	SFTR
Property	Specification	Unit							
Color			Grey	Brown	White	Black	Natural	Cream	Turquoise
Min Service Temp		°F	-325	-325	-50	-40	-325		-40
Max Service Temp		°F	500	500	210	210	175	500	309
Max Temp - Water/Steam		°F							
Max Temp - Hot Air (short)		°F							
Hardness	ASTM D 2240	Shore A							
Hardness	ASTM D 2240	Shore D	58-63	61-67	85±3	77	61	86	86
Modulus 100%	ASTM D 412	psi							
Modulus 300%	ASTM D 412	psi							
Tensile Strength	ASTM D 412	psi	3000▲	3300▲	10100	9400◀	5800▲	14000◀	
Elongation at break	ASTM D 412	%	280▲	250▲	40	120◀	350▲	50◀	
Tear Strength	ASTM D 624 die C	lbf/inch							
Abrasion	ASTM D 1630	mm3							
Specific Gravity	ASTM D 792	g/cm3	2.2	3.13	1.41	1.15●	0.93●	1.32●	1.3
Rebound Elasticity	DIN 53512	%							
Modulus of Elasticity	DIN 53457	N/mm2			3000	1800	98000	3600	
Compressive Strength	ASTM D 695	psi	1055	1470	12800				54375
Compressive Modulus	ASTM D 695	psi	63000	66000					406105
Compression Set									
70°C/24hr @ 20% def	ASTM D 395 Meth B	%							
100°C/24hr @ 20% def	ASTM D 395 Meth B	%							

* Lead time required	▼Spec - DIN 53505
▲Spec - ASTM D 638	◀Spec - DIN 53504
▶Spec - DIN 53455	●Spec - DIN 53479



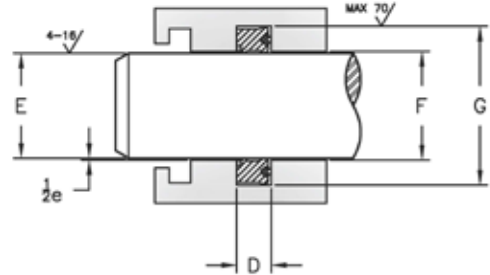
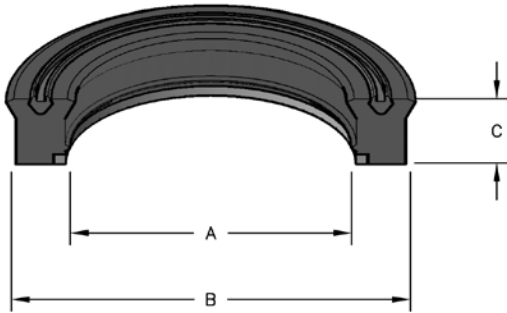
Scan for:
Custom Seal Configurator
on our website

Inch Seals

Contents	Page
Rod U-Seals	60 - 96
Piston U-Seals	97 - 109
U-Seals	110 - 209
Rod Buffer Seals	210 - 222
Vee Packing Sets	223 - 231
Individual Vee Rings and Adaptors	232 - 236
WV Packing	237 - 241
Piston Cups	242 - 248
T-Seals	249 - 260
Unitized Pistons	261 - 262
Piston Seal Assemblies	263 - 313
Iron Piston Rings	314 - 320
Wear Rings, Power Bands and Bearings	321 - 340
Wiper Rings	341 - 385
Oil Seals	386 - 392
O-Rings, Quad Rings, Flange and Head Seals	393 - 454
Fiber Gaskets	455
Back-Up Rings	456 - 484
Retainer Rings	485 - 500
Metric / Inch Conversion Table	501

STYLE RTUB SUPER-DUTY ROD U-SEALS

Featuring high pressure and high shock load capability, this seal utilizes the same twin lip design found in Hercules® Sealing Products' RTU style. With the main body of the seal molded from high performance polyurethane, this seal incorporates a dynamically designed nitrile energizer and a tough polyacetal anti-extrusion ring. RTUB is capable of pressures up to 10,000 psi in approved applications. Please consult Hercules Engineering for pressures above 6,000 psi.



HERCULES PART NUMBERS

RTUB 18 - 1.25 - 25

Type of Seal: RTUB
 Cross Section: 18
 Inside Diameter: 1.25
 Height: 25

SEAL INFORMATION

MATERIAL: 94A URETHANE SEAL
 RUBBER ENERGIZER
 POLYACETAL ANTI-EXTRUSION RING

MAXIMUM OPERATING CONDITIONS

MAXIMUM SPEED	PRESSURE RANGE	TEMPERATURE RANGE
3 FT/SEC	0 - 6,000 PSI	-50° to +230° F

MAXIMUM EXTRUSION GAP (e)

PRESSURE	2,400 PSI	3,750 PSI	6,000 PSI	7,500 PSI	10,000 PSI
MAX. DIAM. GAP	.040"	.032"	.024"	.016"	.010"

Part Number	A Nom. ID	B Nom. OD	C Nom. Ht	D GROOVE WIDTH	E ROD DIAMETER	F THROAT DIAMETER	G HOUSING DIAMETER	List Price
3/16" C/S								
RTUB18-1.25-25	1-1/4	1-5/8	1/4	.275 +0.010 +0.000	1.250 -0.010 -0.0034	1.251 +0.003 +0.000	1.625 ±0.0031	\$21.15
RTUB18-1.25-31	1-1/4	1-5/8	.313	.344 +0.010 +0.000	1.250 -0.010 -0.0034	1.251 +0.003 +0.000	1.625 ±0.0031	21.54
RTUB18-1.50-25	1-1/2	1-7/8	1/4	.275 +0.010 +0.000	1.500 -0.010 -0.0034	1.501 +0.003 +0.000	1.875 ±0.0031	26.81
RTUB18-1.50-31	1-1/2	1-7/8	5/16	.344 +0.010 +0.000	1.500 -0.010 -0.0034	1.501 +0.003 +0.000	1.875 ±0.0031	26.81
RTUB18-1.75-25	1-3/4	2-1/8	1/4	.275 +0.010 +0.000	1.750 -0.010 -0.0034	1.751 +0.003 +0.000	2.125 ±0.0037	28.68
RTUB18-1.75-37	1-3/4	2-1/8	3/8	.413 +0.010 +0.000	1.750 -0.010 -0.0034	1.751 +0.003 +0.000	2.125 ±0.0037	28.80
RTUB18-2.00-37	2	2-3/8	3/8	.413 +0.010 +0.000	2.000 -0.012 -0.0041	2.001 +0.004 +0.000	2.375 ±0.0037	32.43
RTUB18-3.75-37	3-3/4	4-1/8	3/8	.413 +0.010 +0.000	3.750 -0.014 -0.0048	3.751 +0.004 +0.000	4.125 ±0.0043	66.05

STYLE RTUB SUPER-DUTY ROD U-SEALS



ROD U-SEALS

Part Number	A Nom. ID	B Nom. OD	C Nom. Ht	D GROOVE WIDTH	E ROD DIAMETER	F THROAT DIAMETER	G HOUSING DIAMETER	List Price
1/4" C/S								
RTUB25-1.37-37	1-3/8	1-7/8	3/8	.413 ⁺⁰¹⁰ / ₊₀₀₀	1.375 ⁻⁰⁰¹⁰ / ₋₀₀₃₄	1.376 ⁺⁰⁰³ / ₊₀₀₀	1.875 ±0031	\$26.61
RTUB25-1.50-37	1-1/2	2	3/8	.413 ⁺⁰¹⁰ / ₊₀₀₀	1.500 ⁻⁰⁰¹⁰ / ₋₀₀₃₄	1.501 ⁺⁰⁰³ / ₊₀₀₀	2.000 ±0037	29.35
RTUB25-1.75-37	1-3/4	2-1/4	3/8	.413 ⁺⁰¹⁰ / ₊₀₀₀	1.750 ⁻⁰⁰¹⁰ / ₋₀₀₃₄	1.751 ⁺⁰⁰³ / ₊₀₀₀	2.250 ±0037	32.43
RTUB25-2.00-37	2	2-1/2	3/8	.413 ⁺⁰¹⁰ / ₊₀₀₀	2.000 ⁻⁰⁰¹² / ₋₀₀₄₁	2.001 ⁺⁰⁰⁴ / ₊₀₀₀	2.500 ±0037	35.33
RTUB25-2.12-37	2-1/8	2-5/8	3/8	.413 ⁺⁰¹⁰ / ₊₀₀₀	2.125 ⁻⁰⁰¹² / ₋₀₀₄₁	2.126 ⁺⁰⁰⁴ / ₊₀₀₀	2.625 ±0037	37.33
RTUB25-2.25-37	2-1/4	2-3/4	3/8	.413 ⁺⁰¹⁰ / ₊₀₀₀	2.250 ⁻⁰⁰¹² / ₋₀₀₄₁	2.251 ⁺⁰⁰⁴ / ₊₀₀₀	2.750 ±0037	39.77
RTUB25-2.37-37	2-3/8	2-7/8	3/8	.413 ⁺⁰¹⁰ / ₊₀₀₀	2.375 ⁻⁰⁰¹² / ₋₀₀₄₁	2.376 ⁺⁰⁰⁴ / ₊₀₀₀	2.875 ±0037	41.42
RTUB25-2.50-37	2-1/2	3	3/8	.413 ⁺⁰¹⁰ / ₊₀₀₀	2.500 ⁻⁰⁰¹² / ₋₀₀₄₁	2.501 ⁺⁰⁰⁴ / ₊₀₀₀	3.000 ±0037	43.52
RTUB25-2.75-37	2-3/4	3-1/4	3/8	.413 ⁺⁰¹⁰ / ₊₀₀₀	2.750 ⁻⁰⁰¹² / ₋₀₀₄₁	2.751 ⁺⁰⁰⁴ / ₊₀₀₀	3.250 ±0043	47.71
RTUB25-3.00-37	3	3-1/2	3/8	.413 ⁺⁰¹⁰ / ₊₀₀₀	3.000 ⁻⁰⁰¹² / ₋₀₀₄₁	3.001 ⁺⁰⁰⁴ / ₊₀₀₀	3.500 ±0043	51.69
RTUB25-3.25-37	3-1/4	3-3/4	3/8	.413 ⁺⁰¹⁰ / ₊₀₀₀	3.250 ⁻⁰⁰¹⁴ / ₋₀₀₄₈	3.251 ⁺⁰⁰⁴ / ₊₀₀₀	3.750 ±0043	55.21
RTUB25-3.50-37	3-1/2	4	3/8	.413 ⁺⁰¹⁰ / ₊₀₀₀	3.500 ⁻⁰⁰¹⁴ / ₋₀₀₄₈	3.501 ⁺⁰⁰⁴ / ₊₀₀₀	4.000 ±0043	59.49
RTUB25-3.62-37	3-5/8	4-1/8	3/8	.413 ⁺⁰¹⁰ / ₊₀₀₀	3.625 ⁻⁰⁰¹ / ₋₀₀₅	3.626 ⁺⁰⁰⁴ / ₊₀₀₀	4.125 ±004	59.65
RTUB25-3.75-37	3-3/4	4-1/4	3/8	.413 ⁺⁰¹⁰ / ₊₀₀₀	3.750 ⁻⁰⁰¹ / ₋₀₀₅	3.751 ⁺⁰⁰⁴ / ₊₀₀₀	4.250 ±004	63.08
RTUB25-4.00-37	4	4-1/2	3/8	.413 ⁺⁰¹⁰ / ₊₀₀₀	4.000 ⁻⁰⁰¹⁴ / ₋₀₀₄₈	4.001 ⁺⁰⁰⁴ / ₊₀₀₀	4.500 ±0043	66.66
RTUB25-4.00-56	4	4-1/2	9/16	.619 ⁺⁰¹⁰ / ₊₀₀₀	4.000 ⁻⁰⁰¹⁴ / ₋₀₀₄₈	4.001 ⁺⁰⁰⁴ / ₊₀₀₀	4.500 ±0043	72.27
RTUB25-4.50-37	4-1/2	5	3/8	.413 ⁺⁰¹⁰ / ₊₀₀₀	4.500 ⁻⁰⁰¹⁴ / ₋₀₀₄₈	4.501 ⁺⁰⁰⁴ / ₊₀₀₀	5.000 ±0049	79.40
RTUB25-4.50-56	4-1/2	5	9/16	.619 ⁺⁰¹⁰ / ₊₀₀₀	4.500 ⁻⁰⁰¹⁴ / ₋₀₀₄₈	4.501 ⁺⁰⁰⁴ / ₊₀₀₀	5.000 ±0049	79.40
RTUB25-5.00-56	5	5-1/2	9/16	.619 ⁺⁰¹⁰ / ₊₀₀₀	5.000 ⁻⁰⁰¹⁷ / ₋₀₀₅₆	5.001 ⁺⁰⁰⁴ / ₊₀₀₀	5.500 ±0049	90.44
RTUB25-5.50-56	5-1/2	6	9/16	.619 ⁺⁰¹⁰ / ₊₀₀₀	5.500 ⁻⁰⁰¹⁷ / ₋₀₀₅₆	5.501 ⁺⁰⁰⁴ / ₊₀₀₀	6.000 ±0049	105.89
RTUB25-6.00-56	6	6-1/2	9/16	.619 ⁺⁰¹⁰ / ₊₀₀₀	6.000 ⁻⁰⁰¹⁷ / ₋₀₀₅₆	6.001 ⁺⁰⁰⁴ / ₊₀₀₀	6.500 ±0049	116.64
RTUB25-7.00-50	7	7-1/2	1/2	.550 ⁺⁰¹⁰ / ₊₀₀₀	7.000 ⁻⁰¹³ / ₋₀₄₉	7.001 ⁺⁰⁰³ / ₊₀₀₀	7.500 ±0045	145.62
5/16" C/S								
RTUB31-2.50-50	2-1/2	3-1/8	1/2	.550 ⁺⁰¹⁰ / ₊₀₀₀	2.500 ⁻⁰⁰¹² / ₋₀₀₄₁	2.501 ⁺⁰⁰⁴ / ₊₀₀₀	3.125 ±0037	\$48.15
RTUB31-3.00-50	3	3-5/8	1/2	.550 ⁺⁰¹⁰ / ₊₀₀₀	3.000 ⁻⁰⁰¹² / ₋₀₀₄₁	3.001 ⁺⁰⁰⁴ / ₊₀₀₀	3.625 ±0043	59.29
RTUB31-3.50-50	3-1/2	4-1/8	1/2	.550 ⁺⁰¹⁰ / ₊₀₀₀	3.500 ⁻⁰⁰¹⁴ / ₋₀₀₄₈	3.501 ⁺⁰⁰⁴ / ₊₀₀₀	4.125 ±0043	68.93
RTUB31-4.00-37	4	4-5/8	3/8	.413 ⁺⁰¹⁰ / ₊₀₀₀	4.000 ⁻⁰⁰¹ / ₋₀₀₅	4.001 ⁺⁰⁰⁴ / ₊₀₀₀	4.625 ±004	74.78
RTUB31-4.00-50	4	4-5/8	1/2	.550 ⁺⁰¹⁰ / ₊₀₀₀	4.000 ⁻⁰⁰¹⁴ / ₋₀₀₄₈	4.001 ⁺⁰⁰⁴ / ₊₀₀₀	4.625 ±0043	71.07
RTUB31-4.00-56	4	4-5/8	9/16	.619 ⁺⁰¹⁰ / ₊₀₀₀	4.000 ⁻⁰⁰¹⁴ / ₋₀₀₄₈	4.001 ⁺⁰⁰⁴ / ₊₀₀₀	4.625 ±0043	78.49
RTUB31-4.50-37	4-1/2	5-1/8	3/8	.413 ⁺⁰¹⁰ / ₊₀₀₀	4.500 ⁻⁰⁰¹ / ₋₀₀₅	4.501 ⁺⁰⁰⁴ / ₊₀₀₀	5.125 ±005	94.45
RTUB31-4.50-62	4-1/2	5-1/8	5/8	.688 ⁺⁰¹⁰ / ₊₀₀₀	4.500 ⁻⁰⁰¹⁴ / ₋₀₀₄₈	4.501 ⁺⁰⁰⁴ / ₊₀₀₀	5.125 ±0049	87.42
RTUB31-5.00-62	5	5-5/8	5/8	.688 ⁺⁰¹⁰ / ₊₀₀₀	5.000 ⁻⁰⁰¹⁷ / ₋₀₀₅₆	5.001 ⁺⁰⁰⁴ / ₊₀₀₀	5.625 ±0049	101.48

STYLE RTUB SUPER-DUTY ROD U-SEALS

ROD U-SEALS

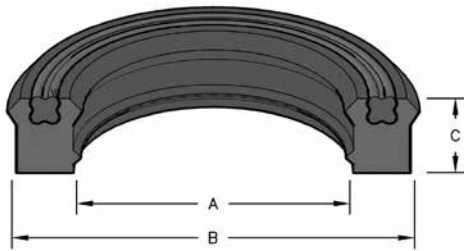
Part Number	A Nom. ID	B Nom. OD	C Nom. Ht	D GROOVE WIDTH	E ROD DIAMETER	F THROAT DIAMETER	G HOUSING DIAMETER	List Price
RTUB31-5.50-37	5-1/2	6-1/8	3/8	.413 ⁺⁰¹⁰ / ₊₀₀₀	5.500 ⁻⁰⁰² / ₋₀₀₆	5.501 ⁺⁰⁰⁴ / ₊₀₀₀	6.125 ±.005	125.27
3/8" C/S								
RTUB37-3.00-62	3	3-3/4	5/8	.688 ⁺⁰¹⁰ / ₊₀₀₀	3.000 ⁻⁰⁰¹² / ₋₀₀₄₁	3.001 ⁺⁰⁰⁴ / ₊₀₀₀	3.750 ±.0043	\$83.97
RTUB37-3.25-62	3-1/4	4	5/8	.688 ⁺⁰¹⁰ / ₊₀₀₀	3.250 ⁻⁰⁰¹⁴ / ₋₀₀₄₈	3.251 ⁺⁰⁰⁴ / ₊₀₀₀	4.000 ±.0043	80.84
RTUB37-3.50-62	3-1/2	4-1/4	5/8	.688 ⁺⁰¹⁰ / ₊₀₀₀	3.500 ⁻⁰⁰¹⁴ / ₋₀₀₄₈	3.501 ⁺⁰⁰⁴ / ₊₀₀₀	4.250 ±.0043	95.72
RTUB37-4.00-62	4	4-3/4	5/8	.688 ⁺⁰¹⁰ / ₊₀₀₀	4.000 ⁻⁰⁰¹⁴ / ₋₀₀₄₈	4.001 ⁺⁰⁰⁴ / ₊₀₀₀	4.750 ±.0049	107.56
RTUB37-4.25-62	4-1/4	5	5/8	.688 ⁺⁰¹⁰ / ₊₀₀₀	4.250 ⁻⁰⁰¹⁴ / ₋₀₀₄₈	4.251 ⁺⁰⁰⁴ / ₊₀₀₀	5.000 ±.0049	100.61
RTUB37-4.50-62	4-1/2	5-1/4	5/8	.688 ⁺⁰¹⁰ / ₊₀₀₀	4.500 ⁻⁰⁰¹⁴ / ₋₀₀₄₈	4.501 ⁺⁰⁰⁴ / ₊₀₀₀	5.250 ±.0049	117.54
RTUB37-4.75-37	4-3/4	5-1/2	3/8	.413 ⁺⁰¹⁰ / ₊₀₀₀	4.750 ⁻⁰⁰¹⁷ / ₋₀₀₅₆	4.751 ⁺⁰⁰⁴ / ₊₀₀₀	5.500 ±.0049	107.56
RTUB37-4.75-62	4-3/4	5-1/2	5/8	.688 ⁺⁰¹⁰ / ₊₀₀₀	4.750 ⁻⁰⁰¹⁷ / ₋₀₀₅₆	4.751 ⁺⁰⁰⁴ / ₊₀₀₀	5.500 ±.0049	111.49
RTUB37-5.00-62	5	5-3/4	5/8	.688 ⁺⁰¹⁰ / ₊₀₀₀	5.000 ⁻⁰⁰¹⁷ / ₋₀₀₅₆	5.001 ⁺⁰⁰⁴ / ₊₀₀₀	5.750 ±.0049	128.68
RTUB37-5.25-62	5-1/4	6	5/8	.688 ⁺⁰¹⁰ / ₊₀₀₀	5.250 ⁻⁰⁰² / ₋₀₀₆	5.251 ⁺⁰⁰⁴ / ₊₀₀₀	6.000 ±.005	125.27
RTUB37-5.75-62	5-3/4	6-1/2	5/8	.688 ⁺⁰¹⁰ / ₊₀₀₀	5.750 ⁻⁰⁰¹⁷ / ₋₀₀₅₆	5.751 ⁺⁰⁰⁴ / ₊₀₀₀	6.500 ±.0049	121.85
RTUB37-6.00-62	6	6-3/4	5/8	.688 ⁺⁰¹⁰ / ₊₀₀₀	6.000 ⁻⁰⁰¹⁷ / ₋₀₀₅₆	6.001 ⁺⁰⁰⁴ / ₊₀₀₀	6.750 ±.0049	150.66
RTUB37-8.00-62	8	8-3/4	5/8	.688 ⁺⁰¹⁰ / ₊₀₀₀	8.000 ⁻⁰⁰²⁰ / ₋₀₀₆₅	8.001 ⁺⁰⁰⁴ / ₊₀₀₀	8.750 ±.0057	244.74
RTUB37-10.00-62	10	10-3/4	5/8	.688 ⁺⁰¹⁰ / ₊₀₀₀	10.000 ⁻⁰⁰²² / ₋₀₀₇₃	10.001 ⁺⁰⁰⁴ / ₊₀₀₀	10.750 ±.0063	284.41

Seal color may vary. Special order sizes are available. Sizes not shown and out of stock items can also be ordered for next day delivery through Seals On Demand, our custom seal program. Please call your regional sales team for assistance.

STYLE RTUL LOADED ROD U-SEAL



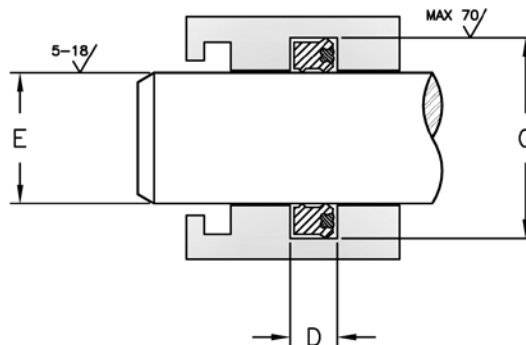
Molded from high performance polyurethane, style RTUL rod U-seals feature an expander for good low pressure sealing. The twin lip feature reduces friction and promotes stability.



HERCULES PART NUMBERS

RTUL 21 - 1.25 - 31 BHT

Type of Seal | Cross Section | Inside Diameter | Height



SEAL INFORMATION	
MATERIAL	95A URETHANE
TEMPERATURE RANGE	-40° TO +225°F
PRESSURE RANGE	0 TO 5,000 PSI
SPEED	3 FT/SEC

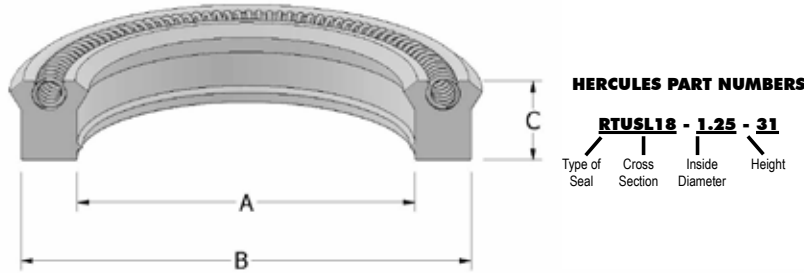
ROD U-SEALS

Part Number	A Nom. ID	B Nom. OD	C Nom. Ht	D GROOVE WIDTH	E ROD DIAMETER	G HOUSING DIAMETER	List Price
3/16" C/S							
RTUL18-1.37-37-A	1-3/8	1-3/4	3/8	.413 ⁺⁰¹⁰ / ₊₀₀₀	1.375 ⁺⁰⁰⁰ / ₋₀₀₂	1.750 ⁺⁰⁰² / ₊₀₀₀	\$12.73
7/32" C/S							
RTUL21-1.25-31BHT	1-1/4	1-11/16	5/16	.344 ⁺⁰¹⁰ / ₊₀₀₀	1.250 ⁺⁰⁰⁰ / ₋₀₀₂	1.688 ⁺⁰⁰² / ₊₀₀₀	\$24.52
RTUL21-1.25-39BHT	1-1/4	1-11/16	25/64	.430 ⁺⁰¹⁰ / ₊₀₀₀	1.250 ⁺⁰⁰⁰ / ₋₀₀₂	1.688 ⁺⁰⁰² / ₊₀₀₀	24.52
RTUL21-1.37-31BHT	1-3/8	1-13/16	5/16	.344 ⁺⁰¹⁰ / ₊₀₀₀	1.375 ⁺⁰⁰⁰ / ₋₀₀₂	1.813 ⁺⁰⁰² / ₊₀₀₀	25.73
RTUL21-1.37-39BHT	1-3/8	1-13/16	25/64	.430 ⁺⁰¹⁰ / ₊₀₀₀	1.375 ⁺⁰⁰⁰ / ₋₀₀₂	1.813 ⁺⁰⁰² / ₊₀₀₀	25.73
RTUL21-1.50-37BHT	1-1/2	1-15/16	3/8	.413 ⁺⁰¹⁰ / ₊₀₀₀	1.500 ⁺⁰⁰⁰ / ₋₀₀₂	1.938 ⁺⁰⁰² / ₊₀₀₀	26.42
RTUL21-1.62-37BHT	1-5/8	2-1/16	3/8	.413 ⁺⁰¹⁰ / ₊₀₀₀	1.625 ⁺⁰⁰⁰ / ₋₀₀₂	2.063 ⁺⁰⁰² / ₊₀₀₀	27.33
RTUL21-1.62-39BHT	1-5/8	2-1/16	25/64	.430 ⁺⁰¹⁰ / ₊₀₀₀	1.625 ⁺⁰⁰⁰ / ₋₀₀₂	2.063 ⁺⁰⁰² / ₊₀₀₀	27.33
RTUL21-1.75-37BHT	1-3/4	2-3/16	3/8	.413 ⁺⁰¹⁰ / ₊₀₀₀	1.750 ⁺⁰⁰⁰ / ₋₀₀₂	2.188 ⁺⁰⁰² / ₊₀₀₀	28.27
RTUL21-1.75-39BHT	1-3/4	2-3/16	25/64	.430 ⁺⁰¹⁰ / ₊₀₀₀	1.750 ⁺⁰⁰⁰ / ₋₀₀₂	2.188 ⁺⁰⁰² / ₊₀₀₀	28.27
1/4" C/S							
RTUL25-1.75-37BHT	1-3/4	2-1/4	3/8	.413 ⁺⁰¹⁰ / ₊₀₀₀	1.750 ⁺⁰⁰⁰ / ₋₀₀₂	2.250 ⁺⁰⁰³ / ₊₀₀₀	\$43.83
RTUL25-2.00-37BHT	2	2-1/2	3/8	.413 ⁺⁰¹⁰ / ₊₀₀₀	2.000 ⁺⁰⁰⁰ / ₋₀₀₂	2.500 ⁺⁰⁰³ / ₊₀₀₀	34.46
RTUL25-2.25-37BHT	2-1/4	2-3/4	3/8	.413 ⁺⁰¹⁰ / ₊₀₀₀	2.250 ⁺⁰⁰⁰ / ₋₀₀₂	2.750 ⁺⁰⁰³ / ₊₀₀₀	67.75



STYLE RTUSL LOADED ROD U-SEAL

Molded from high performance polyurethane, the RTUSL rod U-seal features a Slanted Coil Spring energizer to ensure perfect sealing where constant load over a wide deflection range, a minimum compression set, and better performance under cold temperature are desired. The Twin lip feature reduces friction and promotes stability.



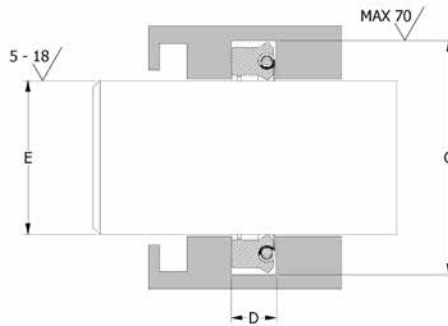
HERCULES PART NUMBERS

RTUSL18 - 1.25 - 31

Type of Seal Cross Section Inside Diameter Height

SEAL INFORMATION

MATERIAL	95A URETHANE
TEMPERATURE RANGE	-40° TO +225°F
PRESSURE RANGE	0 TO 5,000 PSI
SPEED	3 FT/SEC



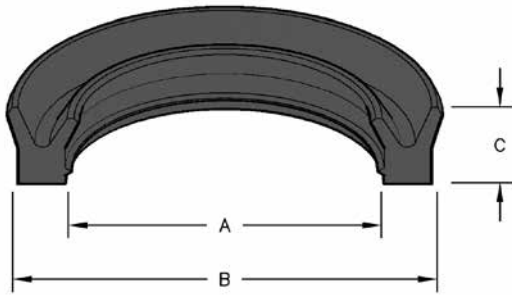
Part Number	A Nom. ID	B Nom. OD	C Nom. Ht	D GROOVE WIDTH	E ROD DIAMETER	G HOUSING DIAMETER	List Price
3/16" C/S							
RTUSL18-1.25-31	1-1/4	1-5/8	5/16	.343 ^{+0.015} / _{+0.000}	1.250 ^{+0.000} / _{-0.002}	1.625 ^{+0.002} / _{+0.000}	\$52.69
RTUSL18-1.62-37-BD4300	1-5/8	2	3/8	.413 ^{+0.015} / _{+0.000}	1.625 ^{+0.000} / _{-0.002}	2.000 ^{+0.002} / _{+0.000}	67.44
RTUSL18-1.75-37	1-3/4	2-1/8	3/8	.413 ^{+0.015} / _{+0.000}	1.750 ^{+0.000} / _{-0.002}	2.125 ^{+0.002} / _{+0.000}	87.53
1/4" C/S							
RTUSL25-2.75-37	2-3/4	3-1/4	3/8	.413 ^{+0.010} / _{+0.000}	2.750 ^{-0.001} / _{-0.004}	3.250 ±.004	\$82.20
5/16" C/S							
RTUSL31-5.50-37	5-1/2	6-1/8	3/8	.410 ^{+0.015} / _{+0.000}	5.500 ^{+0.000} / _{-0.002}	6.127 ^{+0.002} / _{+0.000}	\$168.76
11/32" C/S							
RTUSL34-5.00-37	5	5-11/16	3/8	.413 ^{+0.015} / _{+0.000}	5.000 ^{+0.000} / _{-0.002}	5.688 ^{+0.002} / _{+0.000}	\$107.91
RTUSL34-7.00-37	7	7-11/16	3/8	.413 ^{+0.015} / _{+0.000}	7.000 ^{+0.000} / _{-0.002}	7.688 ^{+0.002} / _{+0.000}	138.18
RTUSL34-7.25-37	7-1/4	7-15/16	3/8	.413 ^{+0.015} / _{+0.000}	7.250 ^{+0.000} / _{-0.002}	7.938 ^{+0.002} / _{+0.000}	154.52
RTUSL34-7.50-37	7-1/2	8-3/16	3/8	.413 ^{+0.015} / _{+0.000}	7.500 ^{+0.000} / _{-0.002}	8.187 ^{+0.002} / _{+0.000}	148.86
RTUSL34-07.75-37	7-3/4	8-7/16	3/8	.413 ^{+0.015} / _{+0.000}	7.750 ^{+0.000} / _{-0.002}	8.438 ^{+0.002} / _{+0.000}	212.52
RTUSL34-8.50-37	8-1/2	9-3/16	3/8	.413 ^{+0.015} / _{+0.000}	8.500 ^{+0.000} / _{-0.002}	9.188 ^{+0.002} / _{+0.000}	170.24
RTUSL34-9.00-37	9	9-11/16	.36	.413 ^{+0.015} / _{+0.000}	9.000 ^{+0.000} / _{-0.002}	9.688 ^{+0.002} / _{+0.000}	148.62
RTUSL34-11.00-37	11	11-11/16	3/8	.413 ^{+0.015} / _{+0.000}	11.000 ^{+0.000} / _{-0.002}	11.688 ^{+0.002} / _{+0.000}	177.89
RTUSL34-11.50-37	11-1/2	12-3/16	3/8	.413 ^{+0.015} / _{+0.000}	11.500 ^{+0.000} / _{-0.002}	12.188 ^{+0.002} / _{+0.000}	301.56
RTUSL34-12.50-37	12-1/2	13-1/4	3/8	.413 ^{+0.015} / _{+0.000}	12.500 ^{+0.000} / _{-0.002}	13.188 ^{+0.002} / _{+0.000}	198.65
RTUSL34-13.50-37	13-1/2	14-3/16	3/8	.413 ^{+0.015} / _{+0.000}	13.500 ^{+0.000} / _{-0.002}	14.188 ^{+0.002} / _{+0.000}	307.01

ROD U-SEALS

STYLE RTU ASYMMETRIC TWIN LIP ROD U-SEALS



The twin lip design helps solve difficult rod sealing problems by providing lower friction, increased stability, and high dynamic lip force, while preventing air penetration from outside the cylinder.

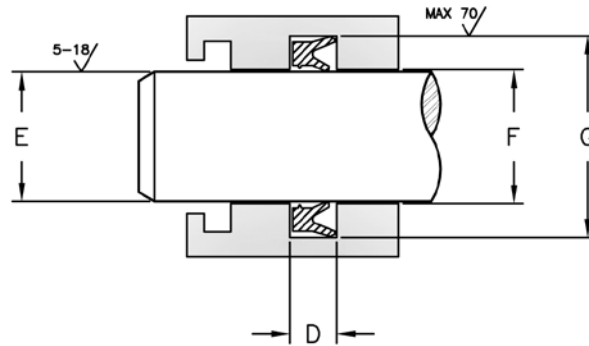


HERCULES PART NUMBERS

RTU 12 - 0.37 - 19
 Type of Seal | Cross Section | Inside Diameter | Height

SEAL INFORMATION	
MATERIAL	94A URETHANE
TEMPERATURE RANGE	-40° TO +225°F
PRESSURE RANGE	0 TO 5,000 PSI
SPEED	3 FT/SEC

HT= HIGH TEMP MATERIAL
 UP TO +250°F



ROD U-SEALS

Part Number	A Nom. ID	B Nom. OD	C Nom. Ht	D GROOVE WIDTH	E ROD DIAMETER	F THROAT DIAMETER	G HOUSING DIAMETER	List Price
1/8" C/S								
RTU12-0.37-19	3/8	5/8	.198	.218 +0.010 +0.000	.375 -0.001 -0.002	.376 +0.003 +0.000	.625 ±0.002	\$8.40
RTU12-0.50-18	1/2	3/4	3/16	.207 +0.010 +0.000	.500 -0.0006 -0.0023	.501 +0.003 +0.000	.750 ±0.0026	8.57
RTU12-0.62-18	5/8	7/8	.187	.207 +0.010 +0.000	.625 -0.0006 -0.0023	.626 +0.003 +0.000	.875 ±0.0026	8.93
RTU12-0.62-25	5/8	7/8	.241	.265 +0.010 +0.000	.625 -0.001 -0.002	.626 +0.003 +0.000	.875 ±0.003	11.68
RTU12-0.75-12	3/4	1	1/8	.138 +0.010 +0.000	.750 -0.0008 -0.0028	.751 +0.003 +0.000	1.000 ±0.003	10.24
RTU12-0.75-18	3/4	1	.187	.207 +0.010 +0.000	.750 -0.0008 -0.0028	.751 +0.003 +0.000	1.000 ±0.0026	9.03
RTU12-0.75-25	3/4	1	1/4	.275 +0.010 +0.000	.750 -0.001 -0.003	.751 +0.003 +0.000	1.000 ±0.003	11.42
RTU12-0.87-18	7/8	1-1/8	.187	.207 +0.010 +0.000	.875 -0.0008 -0.0028	.876 +0.003 +0.000	1.125 ±0.0026	11.00
RTU12-0.87-25	7/8	1-1/8	1/4	.275 +0.010 +0.000	.875 -0.001 -0.003	.876 +0.003 +0.000	1.125 ±0.003	11.15
RTU12-1.00-18	1	1-1/4	3/16	.207 +0.010 +0.000	1.000 -0.001 -0.003	1.001 +0.003 +0.000	1.250 ±0.003	12.35
RTU12-1.00-25	1	1-1/4	1/4	.275 +0.010 +0.000	1.000 -0.001 -0.003	1.001 +0.003 +0.000	1.250 ±0.003	12.19
RTU12-1.00-25-BT4300	1	1-1/4	1/4	.275 +0.015 +0.000	1.000 +0.000 -0.001	1.001 +0.002 +0.000	1.250 +0.002 +0.000	20.20
RTU12-1.06-25	1.062	1.312	1/4	.275 +0.010 +0.000	1.062 -0.001 -0.003	1.063 +0.003 +0.000	1.312 ±0.003	12.32
RTU12-1.12-18	1-1/8	1.368	.187	.207 +0.010 +0.000	1.125 -0.001 -0.003	1.126 +0.003 +0.000	1.368 ±0.003	12.44
RTU12-1.12-25	1-1/8	1-3/8	1/4	.275 +0.010 +0.000	1.125 -0.0008 -0.0028	1.126 +0.003 +0.000	1.375 ±0.003	9.96



STYLE RTU ASYMMETRIC TWIN LIP ROD U-SEALS

ROD U-SEALS

Part Number	A Nom. ID	B Nom. OD	C Nom. Ht	D GROOVE WIDTH	E ROD DIAMETER	F THROAT DIAMETER	G HOUSING DIAMETER	List Price
RTU12-1.25-19	1-1/4	1.491	.197	.217 ^{+0.010} / _{+0.000}	1.250 ^{-0.001} / _{-0.003}	1.251 ^{+0.003} / _{+0.000}	1.491 ±0.003	12.51
RTU12-1.25-25	1-1/4	1-1/2	1/4	.275 ^{+0.010} / _{+0.000}	1.250 ^{-0.001} / _{-0.003}	1.251 ^{+0.003} / _{+0.000}	1.500 ±0.003	13.26
RTU12-1.37-18	1-3/8	1-5/8	.187	.207 ^{+0.010} / _{+0.000}	1.375 ^{-0.001} / _{-0.003}	1.376 ^{+0.003} / _{+0.000}	1.625 ±0.003	12.22
RTU12-1.37-19	1-3/8	1.615	.197	.217 ^{+0.010} / _{+0.000}	1.375 ^{-0.001} / _{-0.003}	1.376 ^{+0.003} / _{+0.000}	1.616 ±0.003	12.22
RTU12-1.37-25	1-3/8	1-5/8	1/4	.275 ^{+0.010} / _{+0.000}	1.375 ^{-0.0010} / _{-0.0034}	1.376 ^{+0.003} / _{+0.000}	1.625 ±0.0031	11.38
RTU12-1.50-25	1-1/2	1-3/4	1/4	.275 ^{+0.010} / _{+0.000}	1.500 ^{-0.001} / _{-0.003}	1.501 ^{+0.003} / _{+0.000}	1.750 ±0.003	14.29
RTU12-1.75-25	1-3/4	2	1/4	.275 ^{+0.010} / _{+0.000}	1.750 ^{-0.0010} / _{-0.0034}	1.751 ^{+0.003} / _{+0.000}	2.000 ±0.0037	11.94
RTU12-2.00-25	2	2-1/4	1/4	.275 ^{+0.010} / _{+0.000}	2.000 ^{-0.001} / _{-0.004}	2.001 ^{+0.004} / _{+0.000}	2.250 ±0.004	13.66
3/16" C/S								
RTU18-0.37-31	3/8	3/4	5/16	.343 ^{+0.010} / _{+0.000}	.375 ^{-0.0005} / _{-0.0019}	.376 ^{+0.003} / _{+0.000}	.750 ±0.0026	\$9.03
RTU18-0.62-28	5/8	1	9/32	.312 ^{+0.010} / _{+0.000}	.625 ^{-0.001} / _{-0.002}	.626 ^{+0.003} / _{+0.000}	1.000 ±0.003	8.77
RTU18-0.75-31	3/4	1-1/8	5/16	.344 ^{+0.010} / _{+0.000}	.750 ^{-0.001} / _{-0.003}	.751 ^{+0.003} / _{+0.000}	1.125 ±0.003	10.00
RTU18-1.00-25	1	1-3/8	1/4	.275 ^{+0.010} / _{+0.000}	1.000 ^{-0.001} / _{-0.003}	1.001 ^{+0.003} / _{+0.000}	1.375 ±0.003	11.13
RTU18-1.00-31	1	1-3/8	5/16	.344 ^{+0.010} / _{+0.000}	1.000 ^{-0.001} / _{-0.003}	1.001 ^{+0.003} / _{+0.000}	1.375 ±0.003	13.05
RTU18-1.12-31	1-1/8	1-1/2	5/16	.344 ^{+0.010} / _{+0.000}	1.125 ^{-0.001} / _{-0.003}	1.126 ^{+0.003} / _{+0.000}	1.500 ±0.003	12.39
RTU18-1.18-25	1.187	1.562	1/4	.275 ^{+0.010} / _{+0.000}	1.187 ^{-0.0010} / _{-0.0034}	1.188 ^{+0.003} / _{+0.000}	1.562 ±0.0031	10.35
RTU18-1.25-23	1-1/4	1-5/8	.227	.250 ^{+0.010} / _{+0.000}	1.250 ^{-0.001} / _{-0.003}	1.251 ^{+0.003} / _{+0.000}	1.625 ±0.003	14.01
RTU18-1.25-25	1-1/4	1-5/8	1/4	.275 ^{+0.010} / _{+0.000}	1.250 ^{-0.0010} / _{-0.0034}	1.251 ^{+0.003} / _{+0.000}	1.625 ±0.0031	11.55
RTU18-1.25-31	1-1/4	1-5/8	5/16	.344 ^{+0.010} / _{+0.000}	1.250 ^{-0.001} / _{-0.003}	1.251 ^{+0.003} / _{+0.000}	1.625 ±0.003	14.01
RTU18-1.25-37HT	1-1/4	1-5/8	3/8	.413 ^{+0.010} / _{+0.000}	1.250 ^{+0.000} / _{-0.002}	1.251 ^{+0.003} / _{+0.000}	1.625 ^{+0.002} / _{+0.000}	15.50
RTU18-1.37-31	1-3/8	1-3/4	5/16	.344 ^{+0.010} / _{+0.000}	1.375 ^{-0.001} / _{-0.003}	1.376 ^{+0.003} / _{+0.000}	1.750 ±0.003	13.49
RTU12-1.50-18	1-1/2	1-3/4	3/16	.207 ^{+0.010} / _{+0.000}	1.500 ^{-0.0010} / _{-0.0034}	1.501 ^{+0.003} / _{+0.000}	1.743 ±0.003	14.21
RTU18-1.50-25	1-1/2	1-7/8	1/4	.275 ^{+0.010} / _{+0.000}	1.500 ^{-0.001} / _{-0.003}	1.501 ^{+0.003} / _{+0.000}	1.875 ±0.003	15.02
RTU18-1.50-31	1-1/2	1-7/8	5/16	.344 ^{+0.010} / _{+0.000}	1.500 ^{-0.001} / _{-0.003}	1.501 ^{+0.003} / _{+0.000}	1.875 ±0.003	15.02
RTU18-1.50-37	1-1/2	1-7/8	3/8	.413 ^{+0.010} / _{+0.000}	1.500 ^{-0.001} / _{-0.003}	1.501 ^{+0.003} / _{+0.000}	1.875 ±0.003	15.02
RTU18-1.62-31	1-5/8	2	5/16	.344 ^{+0.010} / _{+0.000}	1.625 ^{-0.001} / _{-0.003}	1.626 ^{+0.003} / _{+0.000}	2.000 ±0.004	20.37
RTU18-1.62-37	1-5/8	2	3/8	.413 ^{+0.010} / _{+0.000}	1.625 ^{-0.0010} / _{-0.0034}	1.626 ^{+0.003} / _{+0.000}	2.000 ±0.0037	13.35
RTU18-1.75-25	1-3/4	2-1/8	1/4	.275 ^{+0.010} / _{+0.000}	1.750 ^{-0.001} / _{-0.003}	1.751 ^{+0.003} / _{+0.000}	2.125 ±0.004	14.59
RTU18-1.75-31	1-3/4	2-1/8	5/16	.344 ^{+0.010} / _{+0.000}	1.750 ^{-0.001} / _{-0.003}	1.751 ^{+0.003} / _{+0.000}	2.125 ±0.004	15.97
RTU18-1.75-37	1-3/4	2-1/8	3/8	.413 ^{+0.010} / _{+0.000}	1.750 ^{-0.001} / _{-0.003}	1.751 ^{+0.003} / _{+0.000}	2.125 ±0.004	12.91
RTU18-1.87-31	1-7/8	2-1/4	5/16	.344 ^{+0.010} / _{+0.000}	1.875 ^{-0.001} / _{-0.003}	1.876 ^{+0.003} / _{+0.000}	2.250 ±0.004	14.03
RTU18-1.87-37	1-7/8	2-1/4	3/8	.413 ^{+0.010} / _{+0.000}	1.875 ^{-0.0010} / _{-0.0034}	1.876 ^{+0.003} / _{+0.000}	2.250 ±0.0037	13.82
RTU18-2.00-25	2	2-3/8	1/4	.275 ^{+0.010} / _{+0.000}	2.000 ^{-0.0012} / _{-0.0041}	2.001 ^{+0.003} / _{+0.000}	2.375 ±0.0037	14.76

STYLE RTU ASYMMETRIC TWIN LIP ROD U-SEALS



ROD U-SEALS

Part Number	A Nom. ID	B Nom. OD	C Nom. Ht	D GROOVE WIDTH	E ROD DIAMETER	F THROAT DIAMETER	G HOUSING DIAMETER	List Price
RTU18-2.00-31	2	2-3/8	5/16	.344 ^{+0.010} / _{+0.000}	2.000 ^{-0.001} / _{-0.004}	2.001 ^{+0.003} / _{+0.000}	2.375 ±0.004	18.83
RTU18-2.00-37	2	2-3/8	3/8	.413 ^{+0.010} / _{+0.000}	2.000 ^{-0.001} / _{-0.004}	2.001 ^{+0.004} / _{+0.000}	2.375 ±0.004	17.27
RTU18-2.12-37	2-1/8	2-1/2	3/8	.413 ^{+0.010} / _{+0.000}	2.125 ^{-0.001} / _{-0.004}	2.126 ^{+0.003} / _{+0.000}	2.500 ±0.004	17.64
RTU18-2.25-33	2-1/4	2-5/8	.335	.375 ^{+0.010} / _{+0.000}	2.250 ^{-0.001} / _{-0.004}	2.251 ^{+0.003} / _{+0.000}	2.625 ±0.004	17.37
RTU18-2.37-37	2-3/8	2-3/4	3/8	.413 ^{+0.010} / _{+0.000}	2.375 ^{-0.001} / _{-0.004}	2.376 ^{+0.003} / _{+0.000}	2.750 ±0.004	18.06
RTU18-2.50-31	2-1/2	2-7/8	5/16	.344 ^{+0.010} / _{+0.000}	2.500 ^{-0.001} / _{-0.004}	2.501 ^{+0.004} / _{+0.000}	2.875 ±0.004	20.68
RTU18-2.50-37	2-1/2	2-7/8	3/8	.413 ^{+0.010} / _{+0.000}	2.500 ^{-0.001} / _{-0.004}	2.501 ^{+0.003} / _{+0.000}	2.875 ±0.004	20.00
RTU18-2.62-37	2-5/8	3	3/8	.413 ^{+0.010} / _{+0.000}	2.625 ^{-0.0012} / _{-0.0041}	2.626 ^{+0.004} / _{+0.000}	3.000 ±0.0037	19.26
RTU18-2.75-37	2-3/4	3-1/8	3/8	.413 ^{+0.010} / _{+0.000}	2.750 ^{-0.0012} / _{-0.0041}	2.751 ^{+0.004} / _{+0.000}	3.125 ±0.0037	19.55
RTU18-3.00-37	3	3-3/8	3/8	.413 ^{+0.010} / _{+0.000}	3.000 ^{-0.001} / _{-0.004}	3.001 ^{+0.004} / _{+0.000}	3.375 ±0.004	23.36
RTU18-3.12-62	3-1/8	3-1/2	5/8	.688 ^{+0.010} / _{+0.000}	3.125 ^{-0.001} / _{-0.004}	3.126 ^{+0.004} / _{+0.000}	3.500 ±0.004	29.25
RTU18-3.25-56	3-1/4	3-5/8	9/16	.619 ^{+0.010} / _{+0.000}	3.250 ^{-0.001} / _{-0.005}	3.251 ^{+0.004} / _{+0.000}	3.625 ±0.004	29.25
RTU18-3.50-37	3-1/2	3-7/8	3/8	.413 ^{+0.010} / _{+0.000}	3.500 ^{-0.001} / _{-0.005}	3.501 ^{+0.004} / _{+0.000}	3.875 ±0.004	29.14
RTU18-3.75-37	3-3/4	4-1/8	3/8	.413 ^{+0.010} / _{+0.000}	3.750 ^{-0.001} / _{-0.005}	3.751 ^{+0.003} / _{+0.000}	4.125 ±0.004	31.74
RTU18-4.00-37	4	4-3/8	3/8	.413 ^{+0.010} / _{+0.000}	4.000 ^{-0.001} / _{-0.005}	4.001 ^{+0.004} / _{+0.000}	4.375 ±0.004	34.32
RTU18-4.50-37	4-1/2	4-7/8	3/8	.413 ^{+0.010} / _{+0.000}	4.500 ^{-0.001} / _{-0.005}	4.501 ^{+0.004} / _{+0.000}	4.875 ±0.004	35.70
RTU18-4.75-37	4-3/4	5-1/8	3/8	.413 ^{+0.010} / _{+0.000}	4.750 ^{-0.001} / _{-0.005}	4.751 ^{+0.003} / _{+0.000}	5.125 ±0.005	35.93
RTU18-5.00-37	5	5-3/8	3/8	.413 ^{+0.010} / _{+0.000}	5.000 ^{-0.002} / _{-0.006}	5.001 ^{+0.004} / _{+0.000}	5.375 ±0.005	36.94
RTU18-5.50-37	5-1/2	5-7/8	3/8	.413 ^{+0.010} / _{+0.000}	5.500 ^{-0.002} / _{-0.006}	5.501 ^{+0.003} / _{+0.000}	5.875 ±0.005	44.87
1/4" C/S								
RTU25-1.00-25	1	1-1/2	.255	.275 ^{+0.010} / _{+0.000}	1.000 ^{-0.001} / _{-0.003}	1.001 ^{+0.003} / _{+0.000}	1.500 ±0.003	\$12.85
RTU25-1.00-37	1	1-1/2	3/8	.413 ^{+0.010} / _{+0.000}	1.000 ^{-0.001} / _{-0.003}	1.001 ^{+0.003} / _{+0.000}	1.500 ±0.003	14.15
RTU25-1.12-25	1-1/8	1-5/8	1/4	.275 ^{+0.010} / _{+0.000}	1.125 ^{-0.0008} / _{-0.0028}	1.126 ^{+0.003} / _{+0.000}	1.625 ±0.0031	11.20
RTU25-1.25-25	1-1/4	1-3/4	1/4	.275 ^{+0.010} / _{+0.000}	1.250 ^{-0.001} / _{-0.003}	1.251 ^{+0.003} / _{+0.000}	1.750 ±0.003	16.77
RTU25-1.25-37	1-1/4	1-3/4	3/8	.413 ^{+0.010} / _{+0.000}	1.250 ^{-0.001} / _{-0.003}	1.251 ^{+0.003} / _{+0.000}	1.750 ±0.003	14.66
RTU25-1.37-37	1-3/8	1-7/8	3/8	.413 ^{+0.010} / _{+0.000}	1.375 ^{-0.001} / _{-0.003}	1.376 ^{+0.003} / _{+0.000}	1.875 ±0.003	14.01
RTU25-1.37-37HT	1-3/8	1-7/8	3/8	.413 ^{+0.010} / _{+0.000}	1.375 ^{+0.000} / _{-0.002}	1.376 ^{+0.003} / _{+0.000}	1.875 ^{+0.003} / _{+0.000}	32.95
RTU25-1.50-25	1-1/2	2	1/4	.275 ^{+0.010} / _{+0.000}	1.500 ^{-0.0010} / _{-0.0034}	1.501 ^{+0.003} / _{+0.000}	2.000 ±0.0037	13.35
RTU25-1.50-34	1-1/2	2	.341	.375 ^{+0.010} / _{+0.000}	1.500 ^{-0.001} / _{-0.003}	1.501 ^{+0.003} / _{+0.000}	2.000 ±0.004	15.05
RTU25-1.50-37	1-1/2	2	3/8	.413 ^{+0.010} / _{+0.000}	1.500 ^{-0.001} / _{-0.003}	1.501 ^{+0.003} / _{+0.000}	2.000 ±0.004	17.13
RTU25-1.62-37	1-5/8	2-1/8	3/8	.413 ^{+0.010} / _{+0.000}	1.625 ^{-0.001} / _{-0.003}	1.626 ^{+0.003} / _{+0.000}	2.125 ±0.004	18.09
RTU25-1.75-25	1-3/4	2-1/4	1/4	.275 ^{+0.010} / _{+0.000}	1.750 ^{-0.0010} / _{-0.0034}	1.751 ^{+0.003} / _{+0.000}	2.250 ±0.0037	15.03
RTU25-1.75-34	1-3/4	2-1/4	.341	.375 ^{+0.010} / _{+0.000}	1.750 ^{-0.001} / _{-0.003}	1.751 ^{+0.003} / _{+0.000}	2.250 ±0.004	17.04



STYLE RTU ASYMMETRIC TWIN LIP ROD U-SEALS

ROD U-SEALS

Part Number	A Nom. ID	B Nom. OD	C Nom. Ht	D GROOVE WIDTH	E ROD DIAMETER	F THROAT DIAMETER	G HOUSING DIAMETER	List Price
RTU25-1.75-37	1-3/4	2-1/4	3/8	.413 ⁺⁰¹⁰ / ₊₀₀₀	1.750 ⁻⁰⁰¹ / ₋₀₀₃	1.751 ⁺⁰⁰³ / ₊₀₀₀	2.250 ±004	19.07
RTU25-1.87-37	1-7/8	2-3/8	3/8	.413 ⁺⁰¹⁰ / ₊₀₀₀	1.875 ⁻⁰⁰¹ / ₋₀₀₃	1.876 ⁺⁰⁰³ / ₊₀₀₀	2.250 ±004	17.77
RTU25-2.00-25	2	2-1/2	1/4	.275 ⁺⁰¹⁰ / ₊₀₀₀	2.000 ⁻⁰⁰¹² / ₋₀₀₄₁	2.001 ⁺⁰⁰³ / ₊₀₀₀	2.500 ±0037	16.46
RTU25-2.00-31	2	2-1/2	5/16	.344 ⁺⁰¹⁰ / ₊₀₀₀	2.000 ⁻⁰⁰¹ / ₋₀₀₄	2.001 ⁺⁰⁰⁴ / ₊₀₀₀	2.500 ±004	19.58
RTU25-2.00-34	2	2-1/2	.341	.375 ⁺⁰¹⁰ / ₊₀₀₀	2.000 ⁻⁰⁰¹ / ₋₀₀₄	2.001 ⁺⁰⁰³ / ₊₀₀₀	2.500 ±004	20.14
RTU25-2.00-37	2	2-1/2	3/8	.413 ⁺⁰¹⁰ / ₊₀₀₀	2.000 ⁻⁰⁰¹ / ₋₀₀₄	2.001 ⁺⁰⁰⁴ / ₊₀₀₀	2.500 ±004	20.70
RTU25-2.00-37HT	2	2-1/2	3/8	.413 ⁺⁰¹⁰ / ₊₀₀₀	2.000 ⁻⁰⁰¹ / ₋₀₀₄	2.001 ⁺⁰⁰⁴ / ₊₀₀₀	2.500 ±004	7.94
RTU25-2.25-37	2-1/4	2-3/4	3/8	.413 ⁺⁰¹⁰ / ₊₀₀₀	2.250 ⁻⁰⁰¹ / ₋₀₀₄	2.251 ⁺⁰⁰⁴ / ₊₀₀₀	2.750 ±004	23.18
RTU25-2.37-37	2-3/8	2-7/8	3/8	.413 ⁺⁰¹⁰ / ₊₀₀₀	2.375 ⁻⁰⁰¹² / ₋₀₀₄₁	2.376 ⁺⁰⁰⁴ / ₊₀₀₀	2.875 ±0037	18.81
RTU25-2.50-25	2-1/2	3	1/4	.275 ⁺⁰¹⁰ / ₊₀₀₀	2.500 ⁻⁰⁰¹ / ₋₀₀₄	2.501 ⁺⁰⁰³ / ₊₀₀₀	3.000 ±004	21.88
RTU25-2.50-28	2-1/2	3	.284	.312 ⁺⁰¹⁰ / ₊₀₀₀	2.500 ⁻⁰⁰¹ / ₋₀₀₄	2.501 ⁺⁰⁰⁴ / ₊₀₀₀	3.000 ±004	24.95
RTU25-2.50-37	2-1/2	3	3/8	.413 ⁺⁰¹⁰ / ₊₀₀₀	2.500 ⁻⁰⁰¹ / ₋₀₀₄	2.501 ⁺⁰⁰⁴ / ₊₀₀₀	3.000 ±004	25.57
RTU25-2.62-37HT	2-5/8	3-1/8	3/8	.413 ⁺⁰¹⁰ / ₊₀₀₀	2.625 ⁻⁰⁰¹ / ₋₀₀₄	2.626 ⁺⁰⁰⁴ / ₊₀₀₀	3.125 ⁺⁰⁰⁵ / ₋₀₀₃	25.19
RTU25-2.75-31	2-3/4	3-1/4	.312	.344 ⁺⁰¹⁰ / ₊₀₀₀	2.750 ⁻⁰⁰¹ / ₋₀₀₄	2.751 ⁺⁰⁰⁴ / ₊₀₀₀	3.250 ±004	25.57
RTU25-2.75-37	2-3/4	3-1/4	3/8	.413 ⁺⁰¹⁰ / ₊₀₀₀	2.750 ⁻⁰⁰¹ / ₋₀₀₄	2.751 ⁺⁰⁰⁴ / ₊₀₀₀	3.250 ±004	27.96
RTU25-3.00-37	3	3-1/2	3/8	.413 ⁺⁰¹⁰ / ₊₀₀₀	3.000 ⁻⁰⁰¹ / ₋₀₀₄	3.001 ⁺⁰⁰⁴ / ₊₀₀₀	3.500 ±004	30.24
RTU25-3.00-75	3	3-1/2	.781	.859 ⁺⁰¹⁰ / ₊₀₀₀	3.000 ⁻⁰⁰¹ / ₋₀₀₄	3.001 ⁺⁰⁰⁴ / ₊₀₀₀	3.500 ±004	33.19
RTU25-3.25-37	3-1/4	3-3/4	3/8	.413 ⁺⁰¹⁰ / ₊₀₀₀	3.250 ⁻⁰⁰¹ / ₋₀₀₅	3.251 ⁺⁰⁰⁴ / ₊₀₀₀	3.750 ±004	32.33
RTU25-3.37-37	3-3/8	3-7/8	3/8	.413 ⁺⁰¹⁰ / ₊₀₀₀	3.375 ⁻⁰⁰¹ / ₋₀₀₅	3.376 ⁺⁰⁰³ / ₊₀₀₀	3.875 ±004	33.60
RTU25-3.50-31	3-1/2	4	.312	.344 ⁺⁰¹⁰ / ₊₀₀₀	3.500 ⁻⁰⁰¹ / ₋₀₀₅	3.501 ⁺⁰⁰⁴ / ₊₀₀₀	4.000 ±004	34.86
RTU25-3.50-37	3-1/2	4	3/8	.413 ⁺⁰¹⁰ / ₊₀₀₀	3.500 ⁻⁰⁰¹ / ₋₀₀₅	3.501 ⁺⁰⁰⁴ / ₊₀₀₀	4.000 ±004	34.86
RTU25-3.62-37	3-5/8	4-1/8	3/8	.413 ⁺⁰¹⁰ / ₊₀₀₀	3.625 ⁻⁰⁰¹ / ₋₀₀₅	3.626 ⁺⁰⁰³ / ₊₀₀₀	4.125 ±004	31.86
RTU25-3.75-37	3-3/4	4-1/4	3/8	.413 ⁺⁰¹⁰ / ₊₀₀₀	3.750 ⁻⁰⁰¹⁴ / ₋₀₀₄₈	3.751 ⁺⁰⁰⁴ / ₊₀₀₀	4.250 ±0043	28.85
RTU25-3.75-50	3-3/4	4-1/4	1/2	.550 ⁺⁰¹⁰ / ₊₀₀₀	3.750 ⁻⁰⁰¹ / ₋₀₀₅	3.751 ⁺⁰⁰³ / ₊₀₀₀	4.250 ±004	29.85
RTU25-4.00-31	4	4-1/2	.312	.344 ⁺⁰¹⁰ / ₊₀₀₀	4.000 ⁻⁰⁰¹⁴ / ₋₀₀₄₈	4.001 ⁺⁰⁰⁴ / ₊₀₀₀	4.500 ±0043	30.85
RTU25-4.00-37	4	4-1/2	3/8	.413 ⁺⁰¹⁰ / ₊₀₀₀	4.000 ⁻⁰⁰¹ / ₋₀₀₅	4.001 ⁺⁰⁰⁴ / ₊₀₀₀	4.500 ±004	39.11
RTU25-4.00-56	4	4-1/2	9/16	.619 ⁺⁰¹⁰ / ₊₀₀₀	4.000 ⁻⁰⁰¹ / ₋₀₀₅	4.001 ⁺⁰⁰⁴ / ₊₀₀₀	4.500 ±004	45.94
RTU25-4.00-75	4	4-1/2	.781	.859 ⁺⁰¹⁰ / ₊₀₀₀	4.000 ⁻⁰⁰¹ / ₋₀₀₅	4.001 ⁺⁰⁰⁴ / ₊₀₀₀	4.500 ±004	43.74
RTU25-4.25-56P	4-1/4	4-3/4	9/16	.618 ⁺¹⁵⁰ / ₊₀₀₀	4.250 ⁺⁰⁰⁰ / ₋₀₀₂	4.251 ⁺⁰⁰⁴ / ₊₀₀₀	4.750 ⁺⁰⁰⁰ / ₋₀₀₃	66.76
RTU25-4.50-37	4-1/2	5	3/8	.413 ⁺⁰¹⁰ / ₊₀₀₀	4.500 ⁻⁰⁰¹ / ₋₀₀₅	4.501 ⁺⁰⁰⁴ / ₊₀₀₀	5.000 ±005	42.45
RTU25-4.75-62	4-3/4	5-1/4	5/8	.688 ⁺⁰¹⁰ / ₊₀₀₀	4.750 ⁻⁰⁰¹ / ₋₀₀₅	4.751 ⁺⁰⁰³ / ₊₀₀₀	5.250 ±005	45.48
RTU25-5.00-37	5	5-1/2	3/8	.413 ⁺⁰¹⁰ / ₊₀₀₀	5.000 ⁻⁰⁰² / ₋₀₀₆	5.001 ⁺⁰⁰⁴ / ₊₀₀₀	5.500 ±005	48.52
RTU25-5.00-75	5	5-1/2	.781	.859 ⁺⁰¹⁰ / ₊₀₀₀	5.000 ⁻⁰⁰² / ₋₀₀₆	5.001 ⁺⁰⁰⁴ / ₊₀₀₀	5.500 ±005	48.91

STYLE RTU ASYMMETRIC TWIN LIP ROD U-SEALS



ROD U-SEALS

Part Number	A Nom. ID	B Nom. OD	C Nom. Ht	D GROOVE WIDTH	E ROD DIAMETER	F THROAT DIAMETER	G HOUSING DIAMETER	List Price
RTU25-5.50-37	5-1/2	6	3/8	.413 ⁺⁰¹⁰ / ₊₀₀₀	5.500 ⁻⁰⁰² / ₋₀₀₆	5.501 ⁺⁰⁰⁴ / ₊₀₀₀	6.000 ±.005	55.60
RTU25-6.00-75	6	6-1/2	.781	.859 ⁺⁰¹⁰ / ₊₀₀₀	6.000 ⁻⁰⁰² / ₋₀₀₆	6.001 ⁺⁰⁰⁴ / ₊₀₀₀	6.500 ±.005	56.44
RTU25-6.37-37	6-3/8	6-7/8	3/8	.413 ⁺⁰¹⁰ / ₊₀₀₀	6.375 ⁻⁰⁰² / ₋₀₀₆	6.376 ⁺⁰⁰³ / ₊₀₀₀	6.875 ±.005	65.87
RTU25-7.00-75	7	7-1/2	.781	.859 ⁺⁰¹⁰ / ₊₀₀₀	7.000 ⁻⁰⁰² / ₋₀₀₆	7.001 ⁺⁰⁰⁴ / ₊₀₀₀	7.500 ±.006	75.29
RTU25-7.25-37	7-1/4	7-3/4	3/8	.413 ⁺⁰¹⁰ / ₊₀₀₀	7.250 ⁻⁰⁰² / ₋₀₀₆	7.251 ⁺⁰⁰³ / ₊₀₀₀	7.750 ±.006	76.39
RTU25-8.12-75	8-1/8	8-5/8	.781	.859 ⁺⁰¹⁰ / ₊₀₀₀	8.125 ⁻⁰⁰² / ₋₀₀₇	8.126 ⁺⁰⁰⁴ / ₊₀₀₀	8.625 ±.006	77.48
RTU25-9.37-75	9-3/8	9-7/8	.781	.859 ⁺⁰¹⁰ / ₊₀₀₀	9.375 ⁻⁰⁰² / ₋₀₀₇	9.376 ⁺⁰⁰⁴ / ₊₀₀₀	9.875 ±.006	79.83
5/16" C/S								
RTU31-1.25-39	1-1/4	1-7/8	.397	.437 ⁺⁰¹⁰ / ₊₀₀₀	1.250 ⁻⁰⁰¹ / ₋₀₀₃	1.251 ⁺⁰⁰³ / ₊₀₀₀	1.875 ±.003	\$ 14.81
RTU31-1.37-39	1-3/8	2	.397	.437 ⁺⁰¹⁰ / ₊₀₀₀	1.375 ⁻⁰⁰¹ / ₋₀₀₃	1.376 ⁺⁰⁰³ / ₊₀₀₀	2.000 ±.004	14.26
RTU31-1.50-37	1-1/2	2-1/8	3/8	.413 ⁺⁰¹⁰ / ₊₀₀₀	1.500 ⁻⁰⁰¹⁰ / ₋₀₀₃₄	1.501 ⁺⁰⁰³ / ₊₀₀₀	2.125 ±.0037	15.60
RTU31-2.00-31	2	2-5/8	5/16	.344 ⁺⁰¹⁰ / ₊₀₀₀	2.000 ⁻⁰⁰¹ / ₋₀₀₄	2.001 ⁺⁰⁰³ / ₊₀₀₀	2.625 ±.004	19.93
RTU31-2.00-39	2	2-5/8	.397	.437 ⁺⁰¹⁰ / ₊₀₀₀	2.000 ⁻⁰⁰¹ / ₋₀₀₄	2.001 ⁺⁰⁰³ / ₊₀₀₀	2.625 ±.004	20.01
RTU31-2.00-50	2	2-5/8	1/2	.550 ⁺⁰¹⁰ / ₊₀₀₀	2.000 ⁻⁰⁰¹ / ₋₀₀₄	2.001 ⁺⁰⁰³ / ₊₀₀₀	2.625 ±.004	20.94
RTU31-2.50-50	2-1/2	3-1/8	1/2	.550 ⁺⁰¹⁰ / ₊₀₀₀	2.500 ⁻⁰⁰¹² / ₋₀₀₄₁	2.501 ⁺⁰⁰⁴ / ₊₀₀₀	3.125 ±.0037	26.24
RTU31-2.75-37	2-3/4	3-3/8	3/8	.413 ⁺⁰¹⁰ / ₊₀₀₀	2.750 ⁻⁰⁰¹² / ₋₀₀₄₁	2.751 ⁺⁰⁰⁴ / ₊₀₀₀	3.375 ±.0043	24.33
RTU31-2.75-50	2-3/4	3-3/8	1/2	.550 ⁺⁰¹⁰ / ₊₀₀₀	2.750 ⁻⁰⁰¹² / ₋₀₀₄₁	2.751 ⁺⁰⁰⁴ / ₊₀₀₀	3.375 ±.0043	25.84
RTU31-3.00-50	3	3-5/8	1/2	.550 ⁺⁰¹⁰ / ₊₀₀₀	3.000 ⁻⁰⁰¹² / ₋₀₀₄₁	3.001 ⁺⁰⁰⁴ / ₊₀₀₀	3.625 ±.0043	27.91
RTU31-3.25-50	3-1/4	3-7/8	1/2	.550 ⁺⁰¹⁰ / ₊₀₀₀	3.250 ⁻⁰⁰¹⁴ / ₋₀₀₄₈	3.251 ⁺⁰⁰⁴ / ₊₀₀₀	3.875 ±.0043	29.99
RTU31-3.37-59	3-3/8	4	19/32	.653 ⁺⁰¹⁰ / ₊₀₀₀	3.375 ⁻⁰⁰¹ / ₋₀₀₅	3.376 ⁺⁰⁰⁴ / ₊₀₀₀	4.000 ±.004	36.10
RTU31-3.50-50	3-1/2	4-1/8	1/2	.550 ⁺⁰¹⁰ / ₊₀₀₀	3.500 ⁻⁰⁰¹ / ₋₀₀₅	3.501 ⁺⁰⁰³ / ₊₀₀₀	4.125 ±.004	32.99
RTU31-4.00-37	4	4-5/8	3/8	.413 ⁺⁰¹⁰ / ₊₀₀₀	4.000 ⁻⁰⁰¹⁴ / ₋₀₀₄₈	4.001 ⁺⁰⁰⁴ / ₊₀₀₀	4.625 ±.0043	29.91
RTU31-4.00-50	4	4-5/8	1/2	.550 ⁺⁰¹⁰ / ₊₀₀₀	4.000 ⁻⁰⁰¹ / ₋₀₀₅	4.001 ⁺⁰⁰³ / ₊₀₀₀	4.625 ±.004	37.31
RTU31-4.00-50HT	4	4-5/8	1/2	.550 ⁺⁰¹⁰ / ₊₀₀₀	4.000 ⁻⁰⁰¹ / ₋₀₀₅	4.001 ⁺⁰⁰⁴ / ₊₀₀₀	4.625 ±.004	48.17
RTU31-4.50-50	4-1/2	5-1/8	1/2	.550 ⁺⁰¹⁰ / ₊₀₀₀	4.500 ⁻⁰⁰¹ / ₋₀₀₅	4.501 ⁺⁰⁰⁴ / ₊₀₀₀	5.125 ±.005	49.01
RTU31-4.62-62	4-5/8	5-1/4	5/8	.688 ⁺⁰¹⁰ / ₊₀₀₀	4.625 ⁻⁰⁰¹ / ₋₀₀₅	4.626 ⁺⁰⁰³ / ₊₀₀₀	5.250 ±.005	51.80
11/32" C/S								
RTU34-10.50-37	10-1/2	11-3/16	3/8	.413 ⁺⁰¹⁰ / ₊₀₀₀	10.500 ⁻⁰⁰² / ₋₀₀₇	10.501 ⁺⁰⁰⁴ / ₊₀₀₀	11.1875 ±.006	\$414.21
3/8" C/S								
RTU37-3.00-62	3	3-3/4	5/8	.688 ⁺⁰¹⁰ / ₊₀₀₀	3.000 ⁻⁰⁰¹ / ₋₀₀₄	3.001 ⁺⁰⁰³ / ₊₀₀₀	3.750 ±.004	\$40.18
RTU37-3.50-62	3-1/2	4-1/4	5/8	.688 ⁺⁰¹⁰ / ₊₀₀₀	3.500 ⁻⁰⁰¹ / ₋₀₀₅	3.501 ⁺⁰⁰³ / ₊₀₀₀	4.250 ±.004	42.92
RTU37-4.00-50	4	4-3/4	1/2	.550 ⁺⁰¹⁰ / ₊₀₀₀	4.000 ⁻⁰⁰¹⁴ / ₋₀₀₄₈	4.001 ⁺⁰⁰⁴ / ₊₀₀₀	4.750 ±.0049	47.20
RTU37-4.00-62	4	4-3/4	5/8	.688 ⁺⁰¹⁰ / ₊₀₀₀	4.000 ⁻⁰⁰¹ / ₋₀₀₅	4.001 ⁺⁰⁰³ / ₊₀₀₀	4.750 ±.005	46.47
RTU37-4.25-62	4-1/4	5	5/8	.688 ⁺⁰¹⁰ / ₊₀₀₀	4.250 ⁻⁰⁰¹ / ₋₀₀₅	4.251 ⁺⁰⁰³ / ₊₀₀₀	5.000 ±.005	50.63

STYLE RTU ASYMMETRIC TWIN LIP ROD U-SEALS

Part Number	A Nom. ID	B Nom. OD	C Nom. Ht	D GROOVE WIDTH	E ROD DIAMETER	F THROAT DIAMETER	G HOUSING DIAMETER	List Price
RTU37-4.50-62	4-1/2	5-1/4	5/8	.688 ^{+0.010} / _{+0.000}	4.500 ^{-0.001} / _{-0.005}	4.501 ^{+0.003} / _{+0.000}	5.250 ±.005	55.24
RTU37-5.50-62	5-1/2	6-1/4	5/8	.688 ^{+0.010} / _{+0.000}	5.500 ^{-0.002} / _{-0.006}	5.501 ^{+0.003} / _{+0.000}	6.250 ±.005	62.96
RTU37-6.00-62	6	6-3/4	5/8	.688 ^{+0.010} / _{+0.000}	6.000 ^{-0.002} / _{-0.006}	6.001 ^{+0.003} / _{+0.000}	6.750 ±.005	64.82
RTU37-6.50-62	6-1/2	7-1/4	5/8	.688 ^{+0.010} / _{+0.000}	6.500 ^{-0.002} / _{-0.006}	6.501 ^{+0.003} / _{+0.000}	7.250 ±.006	71.94
RTU37-7.00-62	7	7-3/4	5/8	.688 ^{+0.010} / _{+0.000}	7.000 ^{-0.002} / _{-0.006}	7.001 ^{+0.003} / _{+0.000}	7.750 ±.006	76.79
RTU37-7.75-62	7-3/4	8-1/2	5/8	.688 ^{+0.010} / _{+0.000}	7.750 ^{-0.002} / _{-0.006}	7.751 ^{+0.003} / _{+0.000}	8.500 ±.006	82.67

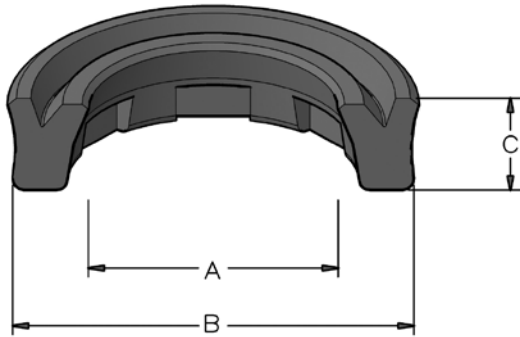
ROD U-SEALS

Seal color may vary. Special order sizes are available. Sizes not shown and out of stock items can also be ordered for next day delivery through Seals On Demand, our custom seal program. Please call your regional sales team for assistance.

STYLE RU9 URETHANE ROD U-SEALS



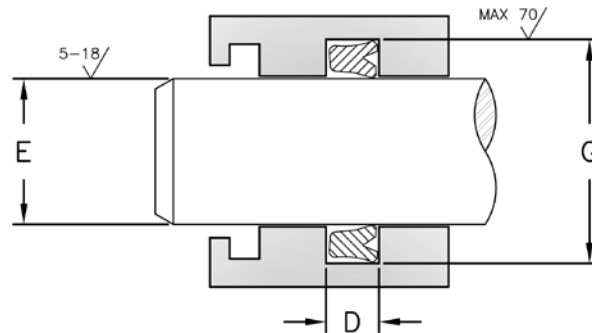
Style RU9 seals are molded from MDI based Zurcon® Z25 urethane. This seal offers good elasticity with low compression set while maintaining a high level of tribological characteristics. The dynamic seal lip incorporates slide segments that will increase back-pumping capabilities while reducing friction. The RU9 style rod seal is ideal for hydraulic applications where high temperature and high pressure performance is required.



HERCULES PART NUMBERS

RU9 18 - 1.12 - 31
 Type of Seal Cross Section Inside Diameter Height

SEAL INFORMATION	
MATERIAL	95A URETHANE
TEMPERATURE RANGE	-31° TO +270°F
PRESSURE RANGE	0 TO 5,800 PSI
SPEED	1.65 FT/SEC



ROD U-SEALS

Part Number	A Nom. ID	B Nom. OD	C Nom. Ht	D GROOVE WIDTH	E ROD DIAMETER	G HOUSING DIAMETER	List Price
3/16" C/S							
RU918-1.12-31	1-1/8	1-1/2	.312	.343 ⁺⁰¹⁰ / ₊₀₀₀	1.125 ⁺⁰⁰³⁹ / ₊₀₀₀₀	1.501 ⁺⁰⁰⁰ / _{-.002}	\$26.67
RU918-1.37-31	1-3/8	1-3/4	5/16	.343 ⁺⁰¹⁰ / ₊₀₀₀	1.375 ⁺⁰⁰³⁹ / ₊₀₀₀₀	1.751 ⁺⁰⁰⁰⁰ / _{-.0024}	27.26
RU918-1.50-31	1-1/2	1-7/8	.312	.343 ⁺⁰¹⁰ / ₊₀₀₀	1.500 ⁺⁰⁰³⁹ / ₊₀₀₀₀	1.876 ⁺⁰⁰⁰⁰ / _{-.0024}	27.54
RU918-2.00-31	2	2-3/8	.312	.343 ⁺⁰¹⁰ / ₊₀₀₀	2.000 ⁺⁰⁰⁴⁷ / ₊₀₀₀₀	2.376 ⁺⁰⁰⁰ / _{-.003}	28.78
RU918-2.50-31	2-1/2	2-7/8	.312	.343 ⁺⁰¹⁰ / ₊₀₀₀	2.500 ⁺⁰⁰⁴⁷ / ₊₀₀₀₀	2.876 ⁺⁰⁰⁰ / _{-.003}	31.16
1/4" C/S							
RU925-1.50-37	1-1/2	2	3/8	.406 ⁺⁰¹⁰ / ₊₀₀₀	1.500 ⁺⁰⁰⁴⁷ / ₊₀₀₀₀	2.000 ⁺⁰⁰⁰⁰ / _{-.0024}	\$30.11
RU925-1.62-37	1-5/8	2-1/8	3/8	.406 ⁺⁰¹⁰ / ₊₀₀₀	1.625 ⁺⁰⁰⁴⁷ / ₊₀₀₀₀	2.125 ⁺⁰⁰⁰⁰ / _{-.0024}	30.57
RU925-1.75-37	1-3/4	2-1/4	3/8	.406 ⁺⁰¹⁰ / ₊₀₀₀	1.750 ⁺⁰⁰⁰⁴⁷ / ₊₀₀₀₀₀	2.250 ⁺⁰⁰⁰⁰ / _{-.0024}	31.04
RU925-1.87-37	1-7/8	2-3/8	3/8	.406 ⁺⁰¹⁰ / ₊₀₀₀	1.875 ⁺⁰⁰⁴⁴ / ₊₀₀₀₀	2.375 ⁺⁰⁰⁰⁰ / _{-.0024}	31.52
RU925-2.50-37	2-1/2	3	3/8	.406 ⁺⁰¹⁰ / ₊₀₀₀	2.500 ⁺⁰⁰⁴⁷ / ₊₀₀₀₀	3.000 ⁺⁰⁰⁰ / _{-.003}	34.96
RU925-2.62-37	2-5/8	3-1/8	3/8	.406 ⁺⁰¹⁰ / ₊₀₀₀	2.625 ⁺⁰⁰⁴⁷ / ₊₀₀₀₀	3.125 ⁺⁰⁰⁰ / _{-.003}	35.43
RU925-2.75-37	2-3/4	3-1/4	3/8	.406 ⁺⁰¹⁰ / ₊₀₀₀	2.750 ⁺⁰⁰⁵⁵ / ₊₀₀₀₀	3.250 ⁺⁰⁰⁰ / _{-.003}	35.90
RU925-3.00-37	3	3-1/2	3/8	.406 ⁺⁰¹⁰ / ₊₀₀₀	3.000 ⁺⁰⁰⁵⁵ / ₊₀₀₀₀	3.500 ⁺⁰⁰⁰ / _{-.003}	36.86



STYLE RU9 URETHANE ROD U-SEALS

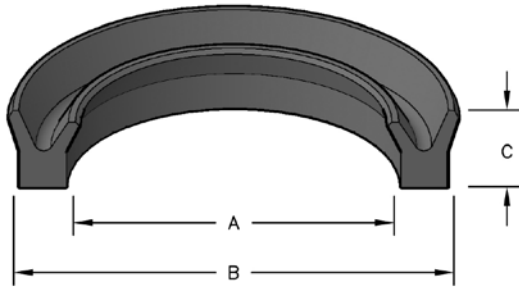
Part Number	A Nom. ID	B Nom. OD	C Nom. Ht	D GROOVE WIDTH	E ROD DIAMETER	G HOUSING DIAMETER	List Price
RU925-3.50-37	3-1/2	4	3/8	.406 <small>+010 +000</small>	3.500 <small>+0055 +0000</small>	4.000 <small>+0000 -.0034</small>	46.01
RU925-3.75-37	3-3/4	4-1/4	3/8	.406 <small>+010 +000</small>	3.750 <small>+0055 +0000</small>	4.250 <small>+0000 -.0034</small>	50.56
RU925-4.00-37	4	4-1/2	3/8	.406 <small>+010 +000</small>	4.000 <small>+0055 +0000</small>	4.500 <small>+0000 -.0034</small>	51.53

ROD U-SEALS

STYLE RU URETHANE ROD U-SEALS



Style RU seals are molded from high quality urethane and designed specifically for rod applications.

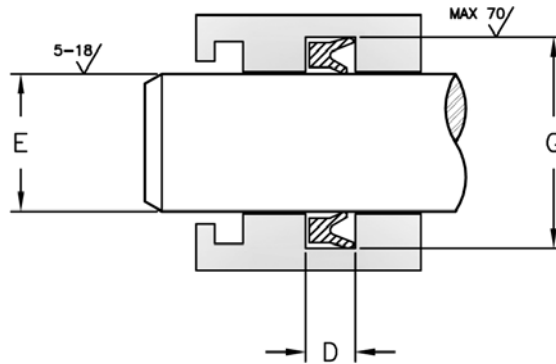


HERCULES PART NUMBERS

RU 18 - 2.00 - 31 P
 Type of Seal Cross Section Inside Diameter Height

SEAL INFORMATION	
MATERIAL	90A URETHANE
TEMPERATURE RANGE	-40° TO +200°F
PRESSURE RANGE	0 TO 5,000 PSI
SPEED	3 FT/SEC

P= HIGH PERFORMANCE MATERIAL UP TO +275°F

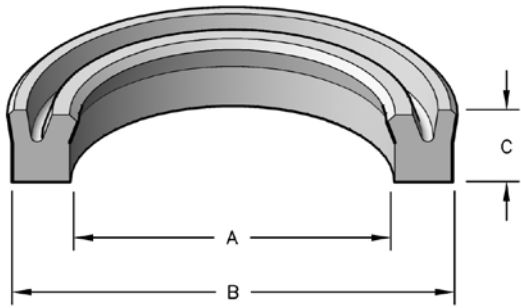


Part Number	A Nom. ID	B Nom. OD	C Nom. Ht	D GROOVE WIDTH	E ROD DIAMETER	G HOUSING DIAMETER	List Price
3/16" C/S							
RU18-2.00-31P	2	2-3/8	5/16	.344 ⁺⁰¹⁰ / ₊₀₀₀	2.000 ⁺⁰⁰⁰ / _{-.002}	2.375 ⁺⁰⁰² / ₊₀₀₀	\$39.37
RU18-2.66-30	2.66	3.035	.3	.330 ⁺⁰¹⁰ / ₊₀₀₀	2.660 ⁺⁰⁰⁰ / _{-.002}	3.035 ⁺⁰⁰² / ₊₀₀₀	14.89
1/4" C/S							
RU25-1.50-37	1-1/2	2	3/8	.413 ⁺⁰¹⁰ / ₊₀₀₀	1.500 ⁺⁰⁰⁰ / _{-.002}	2.000 ⁺⁰⁰³ / ₊₀₀₀	\$12.54
RU25-1.75-37	1-3/4	2-1/4	3/8	.413 ⁺⁰¹⁰ / ₊₀₀₀	1.750 ⁺⁰⁰⁰ / _{-.002}	2.250 ⁺⁰⁰³ / ₊₀₀₀	13.78
RU25-1.75-50	1-3/4	2-1/4	1/2	.550 ⁺⁰¹⁰ / ₊₀₀₀	1.750 ⁺⁰⁰⁰ / _{-.002}	2.250 ⁺⁰⁰³ / ₊₀₀₀	13.78
RU25-2.00-37	2	2-1/2	3/8	.413 ⁺⁰¹⁰ / ₊₀₀₀	2.000 ⁺⁰⁰⁰ / _{-.002}	2.500 ⁺⁰⁰³ / ₊₀₀₀	15.02
RU25-2.50-37	2-1/2	3	3/8	.413 ⁺⁰¹⁰ / ₊₀₀₀	2.500 ⁺⁰⁰⁰ / _{-.002}	3.000 ⁺⁰⁰³ / ₊₀₀₀	19.54
RU25-3.00-37	3	3-1/2	3/8	.413 ⁺⁰¹⁰ / ₊₀₀₀	3.000 ⁺⁰⁰⁰ / _{-.002}	3.500 ⁺⁰⁰³ / ₊₀₀₀	27.71
5/16" C/S							
RU31-2.62-62	2-5/8	3-1/4	5/8	.688 ⁺⁰¹⁰ / ₊₀₀₀	2.625 ⁺⁰⁰⁰ / _{-.002}	3.250 ⁺⁰⁰⁴ / ₊₀₀₀	\$22.35
RU31-3.37-50	3-3/8	4	1/2	.550 ⁺⁰¹⁰ / ₊₀₀₀	3.375 ⁺⁰⁰⁰ / _{-.002}	4.000 ⁺⁰⁰⁴ / ₊₀₀₀	28.23
RU31-3.75-62	3-3/4	4-3/8	5/8	.688 ⁺⁰¹⁰ / ₊₀₀₀	3.750 ⁺⁰⁰⁰ / _{-.002}	4.375 ⁺⁰⁰⁴ / ₊₀₀₀	31.55
RU31-4.62-62	4-5/8	5-1/4	5/8	.688 ⁺⁰¹⁰ / ₊₀₀₀	4.625 ⁺⁰⁰⁰ / _{-.002}	5.250 ⁺⁰⁰⁴ / ₊₀₀₀	39.41
RU31-5.75-62	5-3/4	6-3/8	5/8	.688 ⁺⁰¹⁰ / ₊₀₀₀	5.750 ⁺⁰⁰⁰ / _{-.002}	6.375 ⁺⁰⁰⁴ / ₊₀₀₀	44.22
RU31-6.75-62	6-3/4	7-3/8	5/8	.688 ⁺⁰¹⁰ / ₊₀₀₀	6.750 ⁺⁰⁰⁰ / _{-.002}	7.375 ⁺⁰⁰⁴ / ₊₀₀₀	50.02

ROD U-SEALS

STYLE DRU HEAVY DUTY ROD U-SEALS

These seals are specifically designed to seal on their inside diameter and engineered to attain maximum life and reliability in dynamic rod sealing.

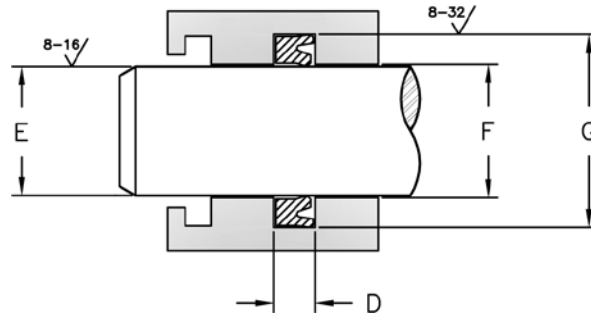


HERCULES PART NUMBERS

DRU 12 - 0.62 - 18

Type of Seal: DRU
 Cross Section: 12
 Inside Diameter: 0.62
 Height: 18

SEAL INFORMATION	
MATERIAL	92A URETHANE
TEMPERATURE RANGE	-65° TO +230° F
PRESSURE RANGE	0 TO 6,000 PSI
SPEED	3 FT/SEC



Part Number	A Nom. ID	B Nom. OD	C Nom. Ht	D GROOVE WIDTH	E ROD DIAMETER	F THROAT DIAMETER	G HOUSING DIAMETER	List Price
1/8" C/S								
DRU12-0.62-18	5/8	7/8	3/16	.218 ⁺⁰¹⁵ / ₊₀₀₀	.625 ⁺⁰⁰⁰ / ₋₀₀₃	.626 ⁺⁰⁰³ / ₊₀₀₀	.875 ⁺⁰⁰⁵ / ₊₀₀₀	\$13.88
DRU12-0.75-12	3/4	1	1/8	.156 ⁺⁰¹⁵ / ₊₀₀₀	.750 ⁺⁰⁰⁰ / ₋₀₀₃	.751 ⁺⁰⁰³ / ₊₀₀₀	1.000 ⁺⁰⁰⁵ / ₊₀₀₀	11.85
DRU12-0.75-25	3/4	1	1/4	.281 ⁺⁰¹⁵ / ₊₀₀₀	.750 ⁺⁰⁰⁰ / ₋₀₀₃	.751 ⁺⁰⁰³ / ₊₀₀₀	1.000 ⁺⁰⁰⁵ / ₊₀₀₀	14.05
DRU12-0.87-12	7/8	1-1/8	1/8	.156 ⁺⁰¹⁵ / ₊₀₀₀	.875 ⁺⁰⁰⁰ / ₋₀₀₃	.876 ⁺⁰⁰³ / ₊₀₀₀	1.125 ⁺⁰⁰⁵ / ₊₀₀₀	13.38
DRU12-1.00-12	1	1-1/4	1/8	.156 ⁺⁰¹⁵ / ₊₀₀₀	1.000 ⁺⁰⁰⁰ / ₋₀₀₃	1.001 ⁺⁰⁰³ / ₊₀₀₀	1.250 ⁺⁰⁰⁵ / ₊₀₀₀	14.42
DRU12-1.00-18	1	1-1/4	3/16	.218 ⁺⁰¹⁵ / ₊₀₀₀	1.000 ⁺⁰⁰⁰ / ₋₀₀₃	1.001 ⁺⁰⁰³ / ₊₀₀₀	1.250 ⁺⁰⁰⁵ / ₊₀₀₀	12.87
3/16" C/S								
DRU18-0.62-20	5/8	1	.202	.218 ⁺⁰¹⁵ / ₊₀₀₀	.625 ⁺⁰⁰⁰ / ₋₀₀₃	.626 ⁺⁰⁰³ / ₊₀₀₀	1.000 ⁺⁰⁰⁵ / ₊₀₀₀	\$13.11
DRU18-0.87-18	7/8	1-1/4	3/16	.218 ⁺⁰¹⁵ / ₊₀₀₀	.875 ⁺⁰⁰⁰ / ₋₀₀₃	.876 ⁺⁰⁰³ / ₊₀₀₀	1.250 ⁺⁰⁰⁵ / ₊₀₀₀	12.49
DRU18-0.87-25	7/8	1-1/4	1/4	.281 ⁺⁰¹⁵ / ₊₀₀₀	.875 ⁺⁰⁰⁰ / ₋₀₀₃	.876 ⁺⁰⁰³ / ₊₀₀₀	1.250 ⁺⁰⁰⁵ / ₊₀₀₀	14.35
DRU18-1.00-31	1	1-3/8	5/16	.343 ⁺⁰¹⁵ / ₊₀₀₀	1.000 ⁺⁰⁰⁰ / ₋₀₀₃	1.001 ⁺⁰⁰³ / ₊₀₀₀	1.375 ⁺⁰⁰⁵ / ₊₀₀₀	13.35
DRU18-1.12-31	1-1/8	1-1/2	5/16	.343 ⁺⁰¹⁵ / ₊₀₀₀	1.125 ⁺⁰⁰⁰ / ₋₀₀₃	1.126 ⁺⁰⁰³ / ₊₀₀₀	1.500 ⁺⁰⁰⁷ / ₊₀₀₀	13.25
DRU18-1.12-37	1-1/8	1-1/2	3/8	.406 ⁺⁰¹⁵ / ₊₀₀₀	1.125 ⁺⁰⁰⁰ / ₋₀₀₃	1.126 ⁺⁰⁰³ / ₊₀₀₀	1.500 ⁺⁰⁰⁷ / ₊₀₀₀	13.46
DRU18-1.75-25	1-3/4	2-1/8	1/4	.281 ⁺⁰¹⁵ / ₊₀₀₀	1.750 ⁺⁰⁰⁰ / ₋₀₀₃	1.751 ⁺⁰⁰³ / ₊₀₀₀	2.125 ⁺⁰⁰⁸ / ₊₀₀₀	19.90
DRU18-1.87-31	1-7/8	2-1/4	5/16	.343 ⁺⁰¹⁵ / ₊₀₀₀	1.875 ⁺⁰⁰⁰ / ₋₀₀₃	1.876 ⁺⁰⁰³ / ₊₀₀₀	2.250 ⁺⁰⁰⁸ / ₊₀₀₀	42.02

STYLE DRU HEAVY DUTY ROD U-SEALS



ROD U-SEALS

Part Number	A Nom. ID	B Nom. OD	C Nom. Ht	D GROOVE WIDTH	E ROD DIAMETER	F THROAT DIAMETER	G HOUSING DIAMETER	List Price
DRU18-2.00-25	2	2-3/8	1/4	.281 ⁺⁰¹⁵ / ₊₀₀₀	2.000 ⁺⁰⁰⁰ / _{-.003}	2.001 ⁺⁰⁰⁴ / ₊₀₀₀	2.375 ⁺⁰⁰⁸ / ₊₀₀₀	23.62
DRU18-2.25-31	2-1/4	2-5/8	5/16	.343 ⁺⁰¹⁵ / ₊₀₀₀	2.250 ⁺⁰⁰⁰ / _{-.003}	2.251 ⁺⁰⁰⁴ / ₊₀₀₀	2.625 ⁺⁰⁰⁸ / ₊₀₀₀	25.12
DRU18-2.50-31	2-1/2	2-7/8	5/16	.343 ⁺⁰¹⁵ / ₊₀₀₀	2.500 ⁺⁰⁰⁰ / _{-.003}	2.501 ⁺⁰⁰⁴ / ₊₀₀₀	2.875 ⁺⁰⁰⁸ / ₊₀₀₀	34.90
1/4" C/S								
DRU25-0.93-37	15/16	1-7/16	3/8	.406 ⁺⁰¹⁵ / ₊₀₀₀	.937 ⁺⁰⁰⁰ / _{-.003}	.938 ⁺⁰⁰³ / ₊₀₀₀	1.438 ⁺⁰⁰⁵ / ₊₀₀₀	\$ 13.08
DRU25-1.00-25	1	1-1/2	1/4	.281 ⁺⁰¹⁵ / ₊₀₀₀	1.000 ⁺⁰⁰⁰ / _{-.003}	1.001 ⁺⁰⁰³ / ₊₀₀₀	1.500 ⁺⁰⁰⁷ / ₊₀₀₀	13.08
DRU25-1.12-25	1-1/8	1-5/8	1/4	.281 ⁺⁰¹⁵ / ₊₀₀₀	1.125 ⁺⁰⁰⁰ / _{-.003}	1.126 ⁺⁰⁰³ / ₊₀₀₀	1.625 ⁺⁰⁰⁷ / ₊₀₀₀	16.60
DRU25-1.25-25	1-1/4	1-3/4	1/4	.281 ⁺⁰¹⁵ / ₊₀₀₀	1.250 ⁺⁰⁰⁰ / _{-.003}	1.251 ⁺⁰⁰³ / ₊₀₀₀	1.750 ⁺⁰⁰⁷ / ₊₀₀₀	16.13
DRU25-1.25-31	1-1/4	1-3/4	5/16	.343 ⁺⁰¹⁵ / ₊₀₀₀	1.250 ⁺⁰⁰⁰ / _{-.003}	1.251 ⁺⁰⁰³ / ₊₀₀₀	1.750 ⁺⁰⁰⁷ / ₊₀₀₀	16.13
DRU25-1.50-31	1-1/2	2	5/16	.343 ⁺⁰¹⁵ / ₊₀₀₀	1.500 ⁺⁰⁰⁰ / _{-.003}	1.501 ⁺⁰⁰³ / ₊₀₀₀	2.000 ⁺⁰⁰⁸ / ₊₀₀₀	19.20
DRU25-1.62-31	1-5/8	2-1/8	5/16	.343 ⁺⁰¹⁵ / ₊₀₀₀	1.625 ⁺⁰⁰⁰ / _{-.003}	1.626 ⁺⁰⁰³ / ₊₀₀₀	2.125 ⁺⁰⁰⁸ / ₊₀₀₀	21.04
DRU25-1.87-37	1-7/8	2-3/8	3/8	.406 ⁺⁰¹⁵ / ₊₀₀₀	1.875 ⁺⁰⁰⁰ / _{-.003}	1.876 ⁺⁰⁰³ / ₊₀₀₀	2.375 ⁺⁰⁰⁸ / ₊₀₀₀	51.40
DRU25-2.00-25	2	2-1/2	1/4	.281 ⁺⁰¹⁵ / ₊₀₀₀	2.000 ⁺⁰⁰⁰ / _{-.003}	2.001 ⁺⁰⁰⁴ / ₊₀₀₀	2.500 ⁺⁰⁰⁸ / ₊₀₀₀	24.77
DRU25-2.00-31	2	2-1/2	5/16	.343 ⁺⁰¹⁵ / ₊₀₀₀	2.000 ⁺⁰⁰⁰ / _{-.003}	2.001 ⁺⁰⁰⁴ / ₊₀₀₀	2.500 ⁺⁰⁰⁸ / ₊₀₀₀	24.77
DRU25-2.12-37	2-1/8	2-5/8	3/8	.406 ⁺⁰¹⁵ / ₊₀₀₀	2.125 ⁺⁰⁰⁰ / _{-.003}	2.126 ⁺⁰⁰⁴ / ₊₀₀₀	2.625 ⁺⁰⁰⁸ / ₊₀₀₀	36.23
DRU25-2.37-37	2-3/8	2-7/8	3/8	.406 ⁺⁰¹⁵ / ₊₀₀₀	2.375 ⁺⁰⁰⁰ / _{-.003}	2.376 ⁺⁰⁰⁴ / ₊₀₀₀	2.875 ⁺⁰⁰⁸ / ₊₀₀₀	25.12
DRU25-2.50-25	2-1/2	3	1/4	.281 ⁺⁰¹⁵ / ₊₀₀₀	2.500 ⁺⁰⁰⁰ / _{-.003}	2.501 ⁺⁰⁰⁴ / ₊₀₀₀	3.000 ⁺⁰⁰⁸ / ₊₀₀₀	25.70
DRU25-2.50-31	2-1/2	3	5/16	.343 ⁺⁰¹⁵ / ₊₀₀₀	2.500 ⁺⁰⁰⁰ / _{-.003}	2.501 ⁺⁰⁰⁴ / ₊₀₀₀	3.000 ⁺⁰⁰⁸ / ₊₀₀₀	25.70
DRU25-2.62-37	2-5/8	3-1/8	3/8	.406 ⁺⁰¹⁵ / ₊₀₀₀	2.625 ⁺⁰⁰⁰ / _{-.003}	2.626 ⁺⁰⁰⁴ / ₊₀₀₀	3.125 ⁺⁰⁰⁸ / ₊₀₀₀	26.24
DRU25-3.00-37	3	3-1/2	3/8	.406 ⁺⁰¹⁵ / ₊₀₀₀	3.000 ⁺⁰⁰⁰ / _{-.004}	3.001 ⁺⁰⁰⁴ / ₊₀₀₀	3.500 ⁺⁰⁰⁹ / ₊₀₀₀	26.06
DRU25-3.37-37	3-3/8	3-7/8	3/8	.406 ⁺⁰¹⁵ / ₊₀₀₀	3.375 ⁺⁰⁰⁰ / _{-.004}	3.376 ⁺⁰⁰⁴ / ₊₀₀₀	3.875 ⁺⁰⁰⁹ / ₊₀₀₀	28.54
DRU25-3.50-37	3-1/2	4	3/8	.406 ⁺⁰¹⁵ / ₊₀₀₀	3.500 ⁺⁰⁰⁰ / _{-.004}	3.501 ⁺⁰⁰⁴ / ₊₀₀₀	4.000 ⁺⁰⁰⁹ / ₊₀₀₀	29.99
DRU25-3.75-59	3-3/4	4-1/4	19/32	.620 ⁺⁰¹⁵ / ₊₀₀₀	3.750 ⁺⁰⁰⁰ / _{-.004}	3.751 ⁺⁰⁰⁴ / ₊₀₀₀	4.250 ⁺⁰⁰⁹ / ₊₀₀₀	71.94
DRU25-4.00-25	4	4-1/2	1/4	.281 ⁺⁰¹⁵ / ₊₀₀₀	4.000 ⁺⁰⁰⁰ / _{-.004}	4.001 ⁺⁰⁰⁴ / ₊₀₀₀	4.500 ⁺⁰⁰⁹ / ₊₀₀₀	43.59
DRU25-4.00-56	4	4-1/2	9/16	.594 ⁺⁰¹⁵ / ₊₀₀₀	4.000 ⁺⁰⁰⁰ / _{-.004}	4.001 ⁺⁰⁰⁴ / ₊₀₀₀	4.500 ⁺⁰⁰⁹ / ₊₀₀₀	38.30
DRU25-4.25-56	4-1/4	4-3/4	9/16	.594 ⁺⁰¹⁵ / ₊₀₀₀	4.250 ⁺⁰⁰⁰ / _{-.004}	4.251 ⁺⁰⁰⁴ / ₊₀₀₀	4.750 ⁺⁰⁰⁹ / ₊₀₀₀	41.62
DRU25-4.50-56	4-1/2	5	9/16	.594 ⁺⁰¹⁵ / ₊₀₀₀	4.500 ⁺⁰⁰⁰ / _{-.004}	4.501 ⁺⁰⁰⁴ / ₊₀₀₀	5.000 ⁺⁰¹⁰ / ₊₀₀₀	45.28
DRU25-5.00-56	5	5-1/2	9/16	.594 ⁺⁰¹⁵ / ₊₀₀₀	5.000 ⁺⁰⁰⁰ / _{-.004}	5.001 ⁺⁰⁰⁴ / ₊₀₀₀	5.500 ⁺⁰¹⁰ / ₊₀₀₀	57.32
DRU25-5.25-59	5-1/4	5-3/4	19/32	.620 ⁺⁰¹⁵ / ₊₀₀₀	5.250 ⁺⁰⁰⁰ / _{-.004}	5.251 ⁺⁰⁰⁴ / ₊₀₀₀	5.750 ⁺⁰¹⁰ / ₊₀₀₀	104.16
DRU25-6.75-59	6-3/4	7-1/4	19/32	.620 ⁺⁰¹⁵ / ₊₀₀₀	6.750 ⁺⁰⁰⁰ / _{-.004}	6.751 ⁺⁰⁰⁴ / ₊₀₀₀	7.250 ⁺⁰¹¹ / ₊₀₀₀	134.98
.3" C/S								
DRU30-5.00-37	5	5.6	3/8	.406 ⁺⁰¹⁵ / ₊₀₀₀	5.000 ⁺⁰⁰⁰ / _{-.004}	5.001 ⁺⁰⁰⁴ / ₊₀₀₀	5.600 ⁺⁰¹⁰ / ₊₀₀₀	\$84.58
5/16" C/S								
DRU31-1.37-37	1-3/8	2	3/8	.406 ⁺⁰¹⁵ / ₊₀₀₀	1.375 ⁺⁰⁰⁰ / _{-.003}	1.376 ⁺⁰⁰³ / ₊₀₀₀	2.000 ⁺⁰⁰⁸ / ₊₀₀₀	\$ 19.20

STYLE DRU HEAVY DUTY ROD U-SEALS

ROD U-SEALS

Part Number	A Nom. ID	B Nom. OD	C Nom. Ht	D GROOVE WIDTH	E ROD DIAMETER	F THROAT DIAMETER	G HOUSING DIAMETER	List Price
DRU31-2.00-37	2	2-5/8	3/8	.406 ^{+0.015} / _{+0.000}	2.000 ^{+0.000} / _{-0.003}	2.001 ^{+0.004} / _{+0.000}	2.625 ^{+0.008} / _{+0.000}	24.02
DRU31-2.25-37	2-1/4	2-7/8	3/8	.406 ^{+0.015} / _{+0.000}	2.250 ^{+0.000} / _{-0.003}	2.251 ^{+0.004} / _{+0.000}	2.875 ^{+0.008} / _{+0.000}	28.54
DRU31-2.25-50	2-1/4	2-7/8	1/2	.531 ^{+0.015} / _{+0.000}	2.250 ^{+0.000} / _{-0.003}	2.251 ^{+0.004} / _{+0.000}	2.875 ^{+0.008} / _{+0.000}	28.54
DRU31-2.37-37	2-3/8	3	3/8	.406 ^{+0.015} / _{+0.000}	2.375 ^{+0.000} / _{-0.003}	2.376 ^{+0.004} / _{+0.000}	3.000 ^{+0.008} / _{+0.000}	25.70
DRU31-2.37-50	2-3/8	3	1/2	.531 ^{+0.015} / _{+0.000}	2.375 ^{+0.000} / _{-0.003}	2.376 ^{+0.004} / _{+0.000}	3.000 ^{+0.008} / _{+0.000}	27.14
DRU31-2.75-37	2-3/4	3-3/8	3/8	.406 ^{+0.015} / _{+0.000}	2.750 ^{+0.000} / _{-0.003}	2.751 ^{+0.004} / _{+0.000}	3.375 ^{+0.009} / _{+0.000}	30.41
DRU31-3.00-37	3	3-5/8	3/8	.406 ^{+0.015} / _{+0.000}	3.000 ^{+0.000} / _{-0.004}	3.001 ^{+0.004} / _{+0.000}	3.625 ^{+0.009} / _{+0.000}	31.62
DRU31-3.25-50	3-1/4	3-7/8	1/2	.531 ^{+0.015} / _{+0.000}	3.250 ^{+0.000} / _{-0.004}	3.251 ^{+0.004} / _{+0.000}	3.875 ^{+0.009} / _{+0.000}	37.98
DRU31-3.37-50	3-3/8	4	1/2	.531 ^{+0.015} / _{+0.000}	3.375 ^{+0.000} / _{-0.004}	3.376 ^{+0.004} / _{+0.000}	4.000 ^{+0.009} / _{+0.000}	36.84
DRU31-4.00-50	4	4-5/8	1/2	.531 ^{+0.015} / _{+0.000}	4.000 ^{+0.000} / _{-0.004}	4.001 ^{+0.004} / _{+0.000}	4.625 ^{+0.009} / _{+0.000}	45.84
DRU31-4.50-37	4-1/2	5-1/8	3/8	.406 ^{+0.015} / _{+0.000}	4.500 ^{+0.000} / _{-0.004}	4.501 ^{+0.004} / _{+0.000}	5.125 ^{+0.010} / _{+0.000}	52.84
DRU31-5.50-37	5-1/2	6-1/8	3/8	.406 ^{+0.015} / _{+0.000}	5.500 ^{+0.000} / _{-0.004}	5.501 ^{+0.004} / _{+0.000}	6.125 ^{+0.010} / _{+0.000}	75.78
3/8" C/S								
DRU37-2.00-37	2	2-3/4	3/8	.406 ^{+0.015} / _{+0.000}	2.000 ^{+0.000} / _{-0.003}	2.001 ^{+0.004} / _{+0.000}	2.750 ^{+0.008} / _{+0.000}	\$25.70
DRU37-2.00-50	2	2-3/4	1/2	.531 ^{+0.015} / _{+0.000}	2.000 ^{+0.000} / _{-0.003}	2.001 ^{+0.004} / _{+0.000}	2.750 ^{+0.008} / _{+0.000}	25.70
DRU37-3.00-37	3	3-3/4	3/8	.406 ^{+0.015} / _{+0.000}	3.000 ^{+0.000} / _{-0.004}	3.001 ^{+0.004} / _{+0.000}	3.750 ^{+0.009} / _{+0.000}	30.45
DRU37-3.00-62	3	3-3/4	5/8	.656 ^{+0.015} / _{+0.000}	3.000 ^{+0.000} / _{-0.004}	3.001 ^{+0.004} / _{+0.000}	3.750 ^{+0.009} / _{+0.000}	34.63
DRU37-3.50-37	3-1/2	4-1/4	3/8	.406 ^{+0.015} / _{+0.000}	3.500 ^{+0.000} / _{-0.004}	3.501 ^{+0.004} / _{+0.000}	4.250 ^{+0.009} / _{+0.000}	40.06
DRU37-3.50-50	3-1/2	4-1/4	1/2	.531 ^{+0.015} / _{+0.000}	3.500 ^{+0.000} / _{-0.004}	3.501 ^{+0.004} / _{+0.000}	4.250 ^{+0.009} / _{+0.000}	40.06
DRU37-3.62-37	3-5/8	4-3/8	3/8	.406 ^{+0.015} / _{+0.000}	3.625 ^{+0.000} / _{-0.004}	3.626 ^{+0.004} / _{+0.000}	4.375 ^{+0.009} / _{+0.000}	40.06
DRU37-4.00-37	4	4-3/4	3/8	.406 ^{+0.015} / _{+0.000}	4.000 ^{+0.000} / _{-0.004}	4.001 ^{+0.004} / _{+0.000}	4.750 ^{+0.009} / _{+0.000}	45.84
DRU37-4.00-50	4	4-3/4	1/2	.531 ^{+0.015} / _{+0.000}	4.000 ^{+0.000} / _{-0.004}	4.001 ^{+0.004} / _{+0.000}	4.750 ^{+0.009} / _{+0.000}	45.84
DRU37-4.00-62	4	4-3/4	5/8	.656 ^{+0.015} / _{+0.000}	4.000 ^{+0.000} / _{-0.004}	4.001 ^{+0.004} / _{+0.000}	4.750 ^{+0.009} / _{+0.000}	70.97
DRU37-4.25-50	4-1/4	5	1/2	.531 ^{+0.015} / _{+0.000}	4.250 ^{+0.000} / _{-0.004}	4.251 ^{+0.004} / _{+0.000}	5.000 ^{+0.010} / _{+0.000}	44.90
DRU37-4.25-62	4-1/4	5	5/8	.656 ^{+0.015} / _{+0.000}	4.250 ^{+0.000} / _{-0.004}	4.251 ^{+0.004} / _{+0.000}	5.000 ^{+0.010} / _{+0.000}	46.45
DRU37-4.37-50	4-3/8	5-1/8	1/2	.531 ^{+0.015} / _{+0.000}	4.375 ^{+0.000} / _{-0.004}	4.376 ^{+0.004} / _{+0.000}	5.125 ^{+0.010} / _{+0.000}	63.88
DRU37-4.50-50	4-1/2	5-1/4	1/2	.531 ^{+0.015} / _{+0.000}	4.500 ^{+0.000} / _{-0.004}	4.501 ^{+0.004} / _{+0.000}	5.250 ^{+0.010} / _{+0.000}	48.14
DRU37-4.50-62	4-1/2	5-1/4	5/8	.656 ^{+0.015} / _{+0.000}	4.500 ^{+0.000} / _{-0.004}	4.501 ^{+0.004} / _{+0.000}	5.250 ^{+0.010} / _{+0.000}	47.71
DRU37-4.75-37	4-3/4	5-1/2	3/8	.406 ^{+0.015} / _{+0.000}	4.750 ^{+0.000} / _{-0.004}	4.751 ^{+0.004} / _{+0.000}	5.500 ^{+0.010} / _{+0.000}	61.17
DRU37-4.87-50	4-7/8	5-5/8	1/2	.531 ^{+0.015} / _{+0.000}	4.875 ^{+0.000} / _{-0.004}	4.876 ^{+0.004} / _{+0.000}	5.625 ^{+0.010} / _{+0.000}	81.51
DRU37-5.25-62	5-1/4	6	5/8	.656 ^{+0.015} / _{+0.000}	5.250 ^{+0.000} / _{-0.004}	5.251 ^{+0.004} / _{+0.000}	6.000 ^{+0.010} / _{+0.000}	72.77
DRU37-5.75-62	5-3/4	6-1/2	5/8	.656 ^{+0.015} / _{+0.000}	5.750 ^{+0.000} / _{-0.004}	5.751 ^{+0.004} / _{+0.000}	6.500 ^{+0.010} / _{+0.000}	99.10
DRU37-6.00-62	6	6-3/4	5/8	.656 ^{+0.015} / _{+0.000}	6.000 ^{+0.000} / _{-0.004}	6.001 ^{+0.004} / _{+0.000}	6.750 ^{+0.010} / _{+0.000}	103.98

STYLE DRU HEAVY DUTY ROD U-SEALS



Part Number	A Nom. ID	B Nom. OD	C Nom. Ht	D GROOVE WIDTH	E ROD DIAMETER	F THROAT DIAMETER	G HOUSING DIAMETER	List Price
DRU37-6.50-50	6-1/2	7-1/4	1/2	.531 ^{+0.015} / _{+0.000}	6.500 ^{+0.000} / _{-.004}	6.501 ^{+0.004} / _{+0.000}	7.250 ^{+0.011} / _{+0.000}	113.62
DRU37-6.50-62	6-1/2	7-1/4	5/8	.656 ^{+0.015} / _{+0.000}	6.500 ^{+0.000} / _{-.004}	6.501 ^{+0.004} / _{+0.000}	7.250 ^{+0.011} / _{+0.000}	136.28
DRU37-7.00-50	7	7-3/4	1/2	.531 ^{+0.015} / _{+0.000}	7.000 ^{+0.000} / _{-.005}	7.001 ^{+0.004} / _{+0.000}	7.750 ^{+0.011} / _{+0.000}	123.86
DRU37-7.00-62	7	7-3/4	5/8	.656 ^{+0.015} / _{+0.000}	7.000 ^{+0.000} / _{-.005}	7.001 ^{+0.004} / _{+0.000}	7.750 ^{+0.011} / _{+0.000}	133.93
7/16" C/S								
DRU43-4.50-48	4-1/2	5-3/8	.49	.531 ^{+0.015} / _{+0.000}	4.500 ^{+0.000} / _{-.002}	4.501 ^{+0.004} / _{+0.000}	5.375 ^{+0.009} / _{+0.000}	\$69.72
1/2" C/S								
DRU50-5.00-75	5	6	3/4	.781 ^{+0.015} / _{+0.000}	5.000 ^{+0.000} / _{-.004}	5.001 ^{+0.004} / _{+0.000}	6.000 ^{+0.010} / _{+0.000}	\$117.78
DRU50-7.00-69	7	8	11/16	.720 ^{+0.015} / _{+0.000}	7.000 ^{+0.000} / _{-.005}	7.001 ^{+0.004} / _{+0.000}	8.000 ^{+0.011} / _{+0.000}	143.97
DRU50-7.00-75	7	8	3/4	.781 ^{+0.015} / _{+0.000}	7.000 ^{+0.000} / _{-.005}	7.001 ^{+0.004} / _{+0.000}	8.000 ^{+0.011} / _{+0.000}	145.38
DRU50-9.00-62	9	10	5/8	.656 ^{+0.015} / _{+0.000}	9.000 ^{+0.000} / _{-.005}	9.001 ^{+0.004} / _{+0.000}	10.000 ^{+0.012} / _{+0.000}	196.94
DRU50-9.00-75	9	10	3/4	.781 ^{+0.015} / _{+0.000}	9.000 ^{+0.000} / _{-.005}	9.001 ^{+0.004} / _{+0.000}	10.000 ^{+0.012} / _{+0.000}	186.92
DRU50-10.00-62	10	11	5/8	.656 ^{+0.015} / _{+0.000}	10.000 ^{+0.000} / _{-.006}	10.001 ^{+0.004} / _{+0.000}	11.000 ^{+0.012} / _{+0.000}	195.89
DRU50-12.00-75	12	13	3/4	.781 ^{+0.015} / _{+0.000}	12.000 ^{+0.000} / _{-.006}	12.001 ^{+0.004} / _{+0.000}	13.000 ^{+0.012} / _{+0.000}	272.52

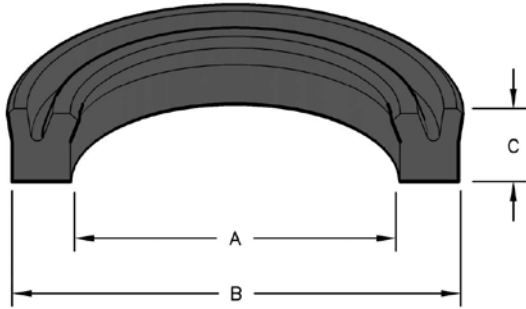
ROD U-SEALS

Seal color may vary. Special order sizes are available. Sizes not shown and out of stock items can also be ordered for next day delivery through Seals On Demand, our custom seal program. Please call your regional sales team for assistance.

FORMERLY LISTED REPAIR PARTS ARE AVAILABLE ONLINE AT WWW.HERCULESUS.COM
OR BY CONTACTING YOUR REGIONAL HERCULES SALES TEAM.

STYLE DRU-BHT HEAVY DUTY ROD U-SEALS

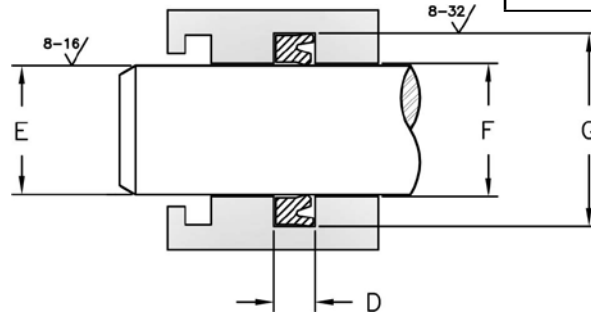
Style DRU-BHT rod seals are molded in Freudenberg® AU 30000 urethane. These seals are specifically designed to seal on their inside diameter and engineered to attain maximum life and reliability in dynamic rod sealing. This high tear-resistant urethane demonstrates stability throughout a wide range of temperatures. In addition, this material is well suited to mineral and biodegradable hydraulic fluids as well as being resistant to hydrolysis.



HERCULES PART NUMBERS

DRU 12 - 0.62 - 18 BHT

Type of Seal Cross Section Inside Diameter Height



SEAL INFORMATION	
MATERIAL	94A URETHANE
TEMPERATURE RANGE	-31°F TO 250°F
PRESSURE RANGE	0 TO 7250 PSI
SPEED	1.5 FT/SEC

Part Number	A Nom. ID	B Nom. OD	C Nom. Ht	D GROOVE WIDTH	E ROD DIAMETER	F THROAT DIAMETER	G HOUSING DIAMETER	List Price
1/8" C/S								
DRU12-0.62-18-BHT	5/8	7/8	3/16	.218 ^{+0.015} / _{+0.000}	.625 ^{+0.000} / _{-0.003}	.626 ^{+0.003} / _{+0.000}	.875 ^{+0.005} / _{+0.000}	\$16.56
DRU12-0.75-12-BHT	3/4	1	1/8	.156 ^{+0.015} / _{+0.000}	.750 ^{+0.000} / _{-0.003}	.751 ^{+0.003} / _{+0.000}	1.000 ^{+0.005} / _{+0.000}	16.56
DRU12-0.75-25-BHT	3/4	1	1/4	.281 ^{+0.015} / _{+0.000}	.750 ^{+0.000} / _{-0.003}	.751 ^{+0.003} / _{+0.000}	1.000 ^{+0.005} / _{+0.000}	16.56
DRU12-0.87-12-BHT	7/8	1-1/8	1/8	.156 ^{+0.015} / _{+0.000}	.875 ^{+0.000} / _{-0.003}	.876 ^{+0.003} / _{+0.000}	1.125 ^{+0.005} / _{+0.000}	17.46
DRU12-1.00-12-BHT	1	1-1/4	1/8	.156 ^{+0.015} / _{+0.000}	1.000 ^{+0.000} / _{-0.003}	1.001 ^{+0.003} / _{+0.000}	1.250 ^{+0.005} / _{+0.000}	17.46
DRU12-1.00-18-BHT	1	1-1/4	3/16	.218 ^{+0.015} / _{+0.000}	1.000 ^{+0.000} / _{-0.003}	1.001 ^{+0.003} / _{+0.000}	1.250 ^{+0.005} / _{+0.000}	17.46
3/16" C/S								
DRU18-1.50-25-BHT	1-1/2	1-7/8	1/4	.281 ^{+0.015} / _{+0.000}	1.500 ^{+0.000} / _{-0.003}	1.501 ^{+0.003} / _{+0.000}	1.875 ^{+0.007} / _{+0.000}	\$23.03
DRU18-1.75-25-BHT	1-3/4	2-1/8	1/4	.281 ^{+0.015} / _{+0.000}	1.750 ^{+0.000} / _{-0.003}	1.751 ^{+0.003} / _{+0.000}	2.125 ^{+0.008} / _{+0.000}	27.46
DRU18-1.75-26-BHT	1-3/4	2-1/8	.265	.281 ^{+0.015} / _{+0.000}	1.750 ^{+0.000} / _{-0.003}	1.751 ^{+0.003} / _{+0.000}	2.125 ^{+0.007} / _{+0.000}	25.89
DRU18-1.87-31-BHT	1-7/8	2-1/4	5/16	.343 ^{+0.015} / _{+0.000}	1.875 ^{+0.000} / _{-0.003}	1.876 ^{+0.003} / _{+0.000}	2.250 ^{+0.008} / _{+0.000}	28.28
1/4" C/S								
DRU25-1.00-25-BHT	1	1-1/2	1/4	.281 ^{+0.015} / _{+0.000}	1.000 ^{+0.000} / _{-0.003}	1.001 ^{+0.003} / _{+0.000}	1.500 ^{+0.007} / _{+0.000}	\$20.45
DRU25-1.25-25-BHT	1-1/4	1-3/4	1/4	.281 ^{+0.015} / _{+0.000}	1.250 ^{+0.000} / _{-0.003}	1.251 ^{+0.003} / _{+0.000}	1.750 ^{+0.007} / _{+0.000}	21.24
DRU25-1.87-37-BHT	1-7/8	2-3/8	3/8	.406 ^{+0.015} / _{+0.000}	1.875 ^{+0.000} / _{-0.003}	1.876 ^{+0.003} / _{+0.000}	2.375 ^{+0.008} / _{+0.000}	28.28

STYLE DRU-BHT HEAVY DUTY ROD U-SEALS

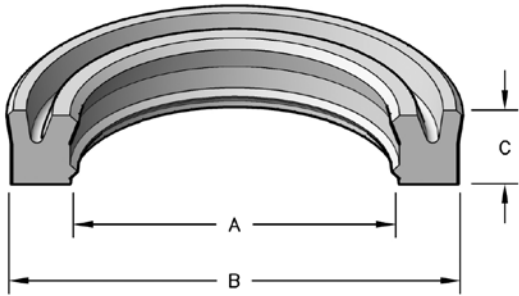


ROD U-SEALS

Part Number	A Nom. ID	B Nom. OD	C Nom. Ht	D GROOVE WIDTH	E ROD DIAMETER	F THROAT DIAMETER	G HOUSING DIAMETER	List Price
DRU25-2.00-31-BHT	2	2-1/2	5/16	.343 ^{+0.015} / _{+0.000}	2.000 ^{+0.000} / _{-.003}	2.001 ^{+0.004} / _{+0.000}	2.500 ^{+0.008} / _{+0.000}	29.82
DRU25-2.00-37-BHT	2	2-1/2	3/8	.406 ^{+0.015} / _{+0.000}	2.000 ^{+0.000} / _{-.003}	2.001 ^{+0.004} / _{+0.000}	2.500 ^{+0.008} / _{+0.000}	30.42
DRU25-2.12-37-BHT	2-1/8	2-5/8	3/8	.406 ^{+0.015} / _{+0.000}	2.125 ^{+0.000} / _{-.003}	2.126 ^{+0.004} / _{+0.000}	2.625 ^{+0.008} / _{+0.000}	31.32
DRU25-2.25-37-BHT	2-1/4	2-3/4	3/8	.406 ^{+0.015} / _{+0.000}	2.250 ^{+0.000} / _{-.003}	2.251 ^{+0.004} / _{+0.000}	2.750 ^{+0.008} / _{+0.000}	29.93
DRU25-2.50-32-BHT	2-1/2	3	.327	.343 ^{+0.015} / _{+0.000}	2.500 ^{+0.000} / _{-.003}	2.501 ^{+0.004} / _{+0.000}	3.000 ^{+0.008} / _{+0.000}	33.13
DRU25-2.62-37-BHT	2-5/8	3-1/8	3/8	.406 ^{+0.015} / _{+0.000}	2.625 ^{+0.000} / _{-.003}	2.626 ^{+0.004} / _{+0.000}	3.125 ^{+0.008} / _{+0.000}	35.34
DRU25-3.00-37-BHT	3	3-1/2	3/8	.406 ^{+0.015} / _{+0.000}	3.000 ^{+0.000} / _{-.004}	3.001 ^{+0.004} / _{+0.000}	3.500 ^{+0.009} / _{+0.000}	39.45
DRU25-3.25-37-BHT	3-1/4	3-3/4	3/8	.406 ^{+0.015} / _{+0.000}	3.250 ^{+0.000} / _{-.004}	3.251 ^{+0.004} / _{+0.000}	3.750 ^{+0.009} / _{+0.000}	40.69
DRU25-3.50-37-BHT	3-1/2	4	3/8	.406 ^{+0.015} / _{+0.000}	3.500 ^{+0.000} / _{-.004}	3.501 ^{+0.004} / _{+0.000}	4.000 ^{+0.009} / _{+0.000}	46.65
5/16" C/S								
DRU31-2.25-37-BHT	2-1/4	2-7/8	3/8	.406 ^{+0.015} / _{+0.000}	2.250 ^{+0.000} / _{-.003}	2.251 ^{+0.004} / _{+0.000}	2.875 ^{+0.008} / _{+0.000}	\$33.13
DRU31-4.00-37-BHT	4	4-5/8	3/8	.406 ^{+0.015} / _{+0.000}	4.000 ^{+0.000} / _{-.004}	4.001 ^{+0.004} / _{+0.000}	4.625 ^{+0.009} / _{+0.000}	68.86
3/8" C/S								
DRU37-2.00-37-BHT	2	2-3/4	3/8	.406 ^{+0.015} / _{+0.000}	2.000 ^{+0.000} / _{-.003}	2.001 ^{+0.004} / _{+0.000}	2.750 ^{+0.008} / _{+0.000}	\$31.32
DRU37-3.00-37-BHT	3	3-3/4	3/8	.406 ^{+0.015} / _{+0.000}	3.000 ^{+0.000} / _{-.004}	3.001 ^{+0.004} / _{+0.000}	3.750 ^{+0.009} / _{+0.000}	42.53
DRU37-5.00-62-BHT	5	5-3/4	5/8	.656 ^{+0.015} / _{+0.000}	5.000 ^{+0.000} / _{-.004}	5.001 ^{+0.004} / _{+0.000}	5.750 ^{+0.010} / _{+0.000}	62.46
1/2" C/S								
DRU50-11.00-65-BHT	11	12	.65	.681 ^{+0.015} / _{+0.000}	11.000 ^{+0.000} / _{-.006}	11.001 ^{+0.004} / _{+0.000}	12.000 ^{+0.012} / _{+0.000}	\$353.32

STYLE DRTU HEAVY DUTY ROD U-SEALS

These seals are specifically designed with a second lip on their inside diameter and engineered to attain maximum life and reliability in dynamic rod sealing. This feature results in reduced leakage, less friction, increased stability, and prevents air and contaminants from entering the cylinder.

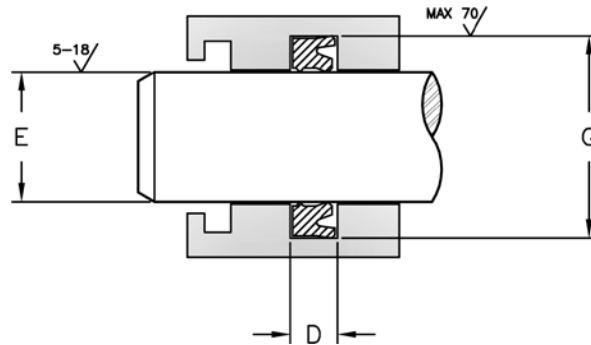


HERCULES PART NUMBERS

DRTU 12 - 0.62 - 18

Type of Seal Cross Section Inside Diameter Height

SEAL INFORMATION	
MATERIAL	92A URETHANE
TEMPERATURE RANGE	-65° TO +230° F
PRESSURE RANGE	0 TO 6,000 PSI
SPEED	3 FT/SEC



MAXIMUM EXTRUSION GAP

PRESSURE	1000 PSI	3000 PSI	5000 PSI	6000 PSI
MAX DIAM. GAP	0.032"	0.015"	0.012"	0.009"

Part Number	A Nom. ID	B Nom. OD	C Nom. Ht	D GROOVE WIDTH	E ROD DIAMETER	G HOUSING DIAMETER	List Price
1/8" C/S							
DRTU12-0.62-18	5/8	7/8	3/16	.218 ^{+0.015} / _{+0.000}	.625 ^{+0.000} / _{-.002}	.875 ^{+0.005} / _{+0.000}	\$7.83
DRTU12-0.75-25	3/4	1	1/4	.281 ^{+0.015} / _{+0.000}	.750 ^{+0.000} / _{-.003}	1.000 ^{+0.005} / _{+0.000}	14.56
DRTU12-1.00-25	1	1-1/4	1/4	.281 ^{+0.015} / _{+0.000}	1.000 ^{+0.000} / _{-.003}	1.250 ^{+0.005} / _{+0.000}	12.87
3/16" C/S							
DRTU18-0.75-25	3/4	1-1/8	1/4	.281 ^{+0.015} / _{+0.000}	.750 ^{+0.000} / _{-.003}	1.125 ^{+0.005} / _{+0.000}	\$14.35
DRTU18-0.75-31	3/4	1-1/8	5/16	.343 ^{+0.015} / _{+0.000}	.750 ^{+0.000} / _{-.003}	1.125 ^{+0.005} / _{+0.000}	13.01
DRTU18-1.00-31	1	1-3/8	5/16	.343 ^{+0.015} / _{+0.000}	1.000 ^{+0.000} / _{-.003}	1.375 ^{+0.005} / _{+0.000}	12.91
DRTU18-1.12-25	1-1/8	1-1/2	1/4	.281 ^{+0.015} / _{+0.000}	1.125 ^{+0.000} / _{-.003}	1.500 ^{+0.007} / _{+0.000}	16.40
DRTU18-1.12-31	1-1/8	1-1/2	5/16	.343 ^{+0.015} / _{+0.000}	1.125 ^{+0.000} / _{-.003}	1.500 ^{+0.007} / _{+0.000}	13.46
DRTU18-1.25-31	1-1/4	1-5/8	5/16	.343 ^{+0.015} / _{+0.000}	1.250 ^{+0.000} / _{-.003}	1.625 ^{+0.007} / _{+0.000}	18.60

STYLE DRTU HEAVY DUTY ROD U-SEALS



ROD U-SEALS

Part Number	A Nom. ID	B Nom. OD	C Nom. Ht	D GROOVE WIDTH	E ROD DIAMETER	G HOUSING DIAMETER	List Price
DRTU18-1.25-37	1-1/4	1-5/8	3/8	.406 ⁺⁰¹⁵ / ₊₀₀₀	1.250 ⁺⁰⁰⁰ / _{-.003}	1.625 ⁺⁰⁰⁷ / ₊₀₀₀	15.13
DRTU18-1.37-31	1-3/8	1-3/4	5/16	.343 ⁺⁰¹⁵ / ₊₀₀₀	1.375 ⁺⁰⁰⁰ / _{-.003}	1.750 ⁺⁰⁰⁷ / ₊₀₀₀	17.40
DRTU18-1.50-25	1-1/2	1-7/8	1/4	.281 ⁺⁰¹⁵ / ₊₀₀₀	1.500 ⁺⁰⁰⁰ / _{-.003}	1.875 ⁺⁰⁰⁷ / ₊₀₀₀	17.40
DRTU18-1.50-31	1-1/2	1-7/8	5/16	.343 ⁺⁰¹⁵ / ₊₀₀₀	1.500 ⁺⁰⁰⁰ / _{-.003}	1.875 ⁺⁰⁰⁷ / ₊₀₀₀	17.40
DRTU18-1.50-37	1-1/2	1-7/8	3/8	.406 ⁺⁰¹⁵ / ₊₀₀₀	1.500 ⁺⁰⁰⁰ / _{-.003}	1.875 ⁺⁰⁰⁷ / ₊₀₀₀	17.40
DRTU18-1.62-37	1-5/8	2	3/8	.406 ⁺⁰¹⁵ / ₊₀₀₀	1.625 ⁺⁰⁰⁰ / _{-.003}	2.000 ⁺⁰⁰⁸ / ₊₀₀₀	19.55
DRTU18-1.75-25	1-3/4	2-1/8	1/4	.281 ⁺⁰¹⁵ / ₊₀₀₀	1.750 ⁺⁰⁰⁰ / _{-.003}	2.125 ⁺⁰⁰⁸ / ₊₀₀₀	13.12
DRTU18-1.75-31	1-3/4	2-1/8	5/16	.343 ⁺⁰¹⁵ / ₊₀₀₀	1.750 ⁺⁰⁰⁰ / _{-.003}	2.125 ⁺⁰⁰⁸ / ₊₀₀₀	19.90
DRTU18-1.75-37	1-3/4	2-1/8	3/8	.406 ⁺⁰¹⁵ / ₊₀₀₀	1.750 ⁺⁰⁰⁰ / _{-.003}	2.125 ⁺⁰⁰⁸ / ₊₀₀₀	19.90
DRTU18-1.87-37	1-7/8	2-1/4	3/8	.406 ⁺⁰¹⁵ / ₊₀₀₀	1.875 ⁺⁰⁰⁰ / _{-.003}	2.250 ⁺⁰⁰⁸ / ₊₀₀₀	23.02
DRTU18-2.00-25	2	2-3/8	1/4	.281 ⁺⁰¹⁵ / ₊₀₀₀	2.000 ⁺⁰⁰⁰ / _{-.003}	2.375 ⁺⁰⁰⁸ / ₊₀₀₀	22.62
DRTU18-2.00-31	2	2-3/8	5/16	.343 ⁺⁰¹⁵ / ₊₀₀₀	2.000 ⁺⁰⁰⁰ / _{-.003}	2.375 ⁺⁰⁰⁸ / ₊₀₀₀	23.62
DRTU18-2.00-37	2	2-3/8	3/8	.406 ⁺⁰¹⁵ / ₊₀₀₀	2.000 ⁺⁰⁰⁰ / _{-.003}	2.375 ⁺⁰⁰⁸ / ₊₀₀₀	23.62
DRTU18-2.25-37	2-1/4	2-5/8	3/8	.406 ⁺⁰¹⁵ / ₊₀₀₀	2.250 ⁺⁰⁰⁰ / _{-.003}	2.625 ⁺⁰⁰⁸ / ₊₀₀₀	25.12
DRTU18-2.50-37	2-1/2	2-7/8	3/8	.406 ⁺⁰¹⁵ / ₊₀₀₀	2.500 ⁺⁰⁰⁰ / _{-.003}	2.875 ⁺⁰⁰⁸ / ₊₀₀₀	30.15
7/32" C/S							
DRTU21-2.50-28	2-1/2	2.937	9/32	.312 ⁺⁰¹⁵ / ₊₀₀₀	2.500 ⁺⁰⁰⁰ / _{-.003}	2.937 ⁺⁰⁰⁸ / ₊₀₀₀	\$25.13
DRTU21-2.50-37	2-1/2	2.937	3/8	.406 ⁺⁰¹⁵ / ₊₀₀₀	2.500 ⁺⁰⁰⁰ / _{-.003}	2.937 ⁺⁰⁰⁸ / ₊₀₀₀	25.64
DRTU21-3.00-28	3	3-7/16	9/32	.312 ⁺⁰¹⁵ / ₊₀₀₀	3.000 ⁺⁰⁰⁰ / _{-.004}	3.4375 ⁺⁰⁰⁹ / ₊₀₀₀	31.02
1/4" C/S							
DRTU25-1.00-37	1	1-1/2	3/8	.406 ⁺⁰¹⁵ / ₊₀₀₀	1.000 ⁺⁰⁰⁰ / _{-.003}	1.500 ⁺⁰⁰⁷ / ₊₀₀₀	\$13.08
DRTU25-1.25-37	1-1/4	1-3/4	3/8	.406 ⁺⁰¹⁵ / ₊₀₀₀	1.250 ⁺⁰⁰⁰ / _{-.003}	1.750 ⁺⁰⁰⁷ / ₊₀₀₀	16.13
DRTU25-1.37-37	1-3/8	1-7/8	3/8	.406 ⁺⁰¹⁵ / ₊₀₀₀	1.375 ⁺⁰⁰⁰ / _{-.003}	1.875 ⁺⁰⁰⁷ / ₊₀₀₀	17.46
DRTU25-1.50-37	1-1/2	2	3/8	.406 ⁺⁰¹⁵ / ₊₀₀₀	1.500 ⁺⁰⁰⁰ / _{-.003}	2.000 ⁺⁰⁰⁸ / ₊₀₀₀	19.20
DRTU25-1.75-31	1-3/4	2-1/4	5/16	.343 ⁺⁰¹⁵ / ₊₀₀₀	1.750 ⁺⁰⁰⁰ / _{-.003}	2.250 ⁺⁰⁰⁸ / ₊₀₀₀	21.61
DRTU25-1.75-37	1-3/4	2-1/4	3/8	.406 ⁺⁰¹⁵ / ₊₀₀₀	1.750 ⁺⁰⁰⁰ / _{-.003}	2.250 ⁺⁰⁰⁸ / ₊₀₀₀	21.61
DRTU25-2.00-37	2	2-1/2	3/8	.406 ⁺⁰¹⁵ / ₊₀₀₀	2.000 ⁺⁰⁰⁰ / _{-.003}	2.500 ⁺⁰⁰⁸ / ₊₀₀₀	24.79
DRTU25-2.25-37	2-1/4	2-3/4	3/8	.406 ⁺⁰¹⁵ / ₊₀₀₀	2.250 ⁺⁰⁰⁰ / _{-.003}	2.750 ⁺⁰⁰⁸ / ₊₀₀₀	26.37
DRTU25-2.37-37	2-3/8	2-7/8	3/8	.406 ⁺⁰¹⁵ / ₊₀₀₀	2.375 ⁺⁰⁰⁰ / _{-.003}	2.875 ⁺⁰⁰⁸ / ₊₀₀₀	25.12
DRTU25-2.50-37	2-1/2	3	3/8	.406 ⁺⁰¹⁵ / ₊₀₀₀	2.500 ⁺⁰⁰⁰ / _{-.003}	3.000 ⁺⁰⁰⁸ / ₊₀₀₀	25.70
DRTU25-2.75-37	2-3/4	3-1/4	3/8	.406 ⁺⁰¹⁵ / ₊₀₀₀	2.750 ⁺⁰⁰⁰ / _{-.003}	3.250 ⁺⁰⁰⁹ / ₊₀₀₀	26.24
DRTU25-3.00-37	3	3-1/2	3/8	.406 ⁺⁰¹⁵ / ₊₀₀₀	3.000 ⁺⁰⁰⁰ / _{-.004}	3.500 ⁺⁰⁰⁹ / ₊₀₀₀	27.07
DRTU25-3.25-31	3-1/4	3-3/4	5/16	.343 ⁺⁰¹⁵ / ₊₀₀₀	3.250 ⁺⁰⁰⁰ / _{-.004}	3.750 ⁺⁰⁰⁹ / ₊₀₀₀	28.54

STYLE DRTU HEAVY DUTY ROD U-SEALS

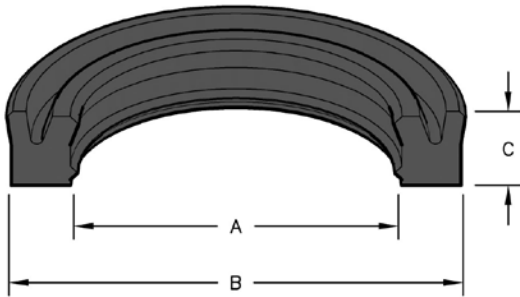
ROD U-SEALS

Part Number	A Nom. ID	B Nom. OD	C Nom. Ht	D GROOVE WIDTH	E ROD DIAMETER	G HOUSING DIAMETER	List Price
DRTU25-3.25-37	3-1/4	3-3/4	3/8	.406 ⁺⁰¹⁵ / ₊₀₀₀	3.250 ⁺⁰⁰⁰ / _{-.004}	3.750 ⁺⁰⁰⁹ / ₊₀₀₀	28.54
DRTU25-3.50-31	3-1/2	4	5/16	.343 ⁺⁰¹⁵ / ₊₀₀₀	3.500 ⁺⁰⁰⁰ / _{-.004}	4.000 ⁺⁰⁰⁹ / ₊₀₀₀	36.70
DRTU25-3.50-37	3-1/2	4	3/8	.406 ⁺⁰¹⁵ / ₊₀₀₀	3.500 ⁺⁰⁰⁰ / _{-.004}	4.000 ⁺⁰⁰⁹ / ₊₀₀₀	29.84
DRTU25-3.75-37	3-3/4	4-1/4	3/8	.406 ⁺⁰¹⁵ / ₊₀₀₀	3.750 ⁺⁰⁰⁰ / _{-.004}	4.250 ⁺⁰⁰⁹ / ₊₀₀₀	35.00
DRTU25-4.00-31	4	4-1/2	5/16	.343 ⁺⁰¹⁵ / ₊₀₀₀	4.000 ⁺⁰⁰⁰ / _{-.004}	4.500 ⁺⁰⁰⁹ / ₊₀₀₀	45.80
DRTU25-4.00-37	4	4-1/2	3/8	.406 ⁺⁰¹⁵ / ₊₀₀₀	4.000 ⁺⁰⁰⁰ / _{-.004}	4.500 ⁺⁰⁰⁹ / ₊₀₀₀	38.30
DRTU25-4.50-31	4-1/2	5	5/16	.343 ⁺⁰¹⁵ / ₊₀₀₀	4.500 ⁺⁰⁰⁰ / _{-.004}	5.000 ⁺⁰¹⁰ / ₊₀₀₀	52.09
DRTU25-4.50-56	4-1/2	5	9/16	.593 ⁺⁰¹⁵ / ₊₀₀₀	4.500 ⁺⁰⁰⁰ / _{-.004}	5.000 ⁺⁰¹⁰ / ₊₀₀₀	45.28
DRTU25-4.75-56	4-3/4	5-1/4	9/16	.593 ⁺⁰¹⁵ / ₊₀₀₀	4.750 ⁺⁰⁰⁰ / _{-.004}	5.250 ⁺⁰¹⁰ / ₊₀₀₀	56.82
DRTU25-5.50-56	5-1/2	6	9/16	.593 ⁺⁰¹⁵ / ₊₀₀₀	5.500 ⁺⁰⁰⁰ / _{-.004}	6.000 ⁺⁰¹⁰ / ₊₀₀₀	72.08
5/16" C/S							
DRTU31-1.75-37	1-3/4	2-3/8	3/8	.406 ⁺⁰¹⁵ / ₊₀₀₀	1.750 ⁺⁰⁰⁰ / _{-.003}	2.375 ⁺⁰⁰⁸ / ₊₀₀₀	\$21.64
DRTU31-1.75-50	1-3/4	2-3/8	1/2	.531 ⁺⁰¹⁵ / ₊₀₀₀	1.750 ⁺⁰⁰⁰ / _{-.003}	2.375 ⁺⁰⁰⁸ / ₊₀₀₀	21.64
DRTU31-2.00-50	2	2-5/8	1/2	.531 ⁺⁰¹⁵ / ₊₀₀₀	2.000 ⁺⁰⁰⁰ / _{-.003}	2.625 ⁺⁰⁰⁸ / ₊₀₀₀	24.02
DRTU31-2.50-50	2-1/2	3-1/8	1/2	.531 ⁺⁰¹⁵ / ₊₀₀₀	2.500 ⁺⁰⁰⁰ / _{-.003}	3.125 ⁺⁰⁰⁸ / ₊₀₀₀	28.74
DRTU31-2.75-50	2-3/4	3-3/8	1/2	.531 ⁺⁰¹⁵ / ₊₀₀₀	2.750 ⁺⁰⁰⁰ / _{-.003}	3.375 ⁺⁰⁰⁹ / ₊₀₀₀	30.41
DRTU31-3.00-50	3	3-5/8	1/2	.531 ⁺⁰¹⁵ / ₊₀₀₀	3.000 ⁺⁰⁰⁰ / _{-.004}	3.625 ⁺⁰⁰⁹ / ₊₀₀₀	32.95
DRTU31-4.00-37	4	4-5/8	3/8	.406 ⁺⁰¹⁵ / ₊₀₀₀	4.000 ⁺⁰⁰⁰ / _{-.004}	4.625 ⁺⁰⁰⁹ / ₊₀₀₀	45.84
DRTU31-5.50-37	5-1/2	6-1/8	3/8	.406 ⁺⁰¹⁵ / ₊₀₀₀	5.500 ⁺⁰⁰⁰ / _{-.004}	6.125 ⁺⁰¹⁵ / ₊₀₀₀	78.03
DRTU31-7.00-37	7	7-5/8	3/8	.406 ⁺⁰¹⁵ / ₊₀₀₀	7.000 ⁺⁰⁰⁰ / _{-.005}	7.625 ⁺⁰¹¹ / ₊₀₀₀	119.37
3/8" C/S							
DRTU37-2.75-62	2-3/4	3-1/2	5/8	.656 ⁺⁰¹⁵ / ₊₀₀₀	2.750 ⁺⁰⁰⁰ / _{-.003}	3.500 ⁺⁰⁰⁹ / ₊₀₀₀	\$33.40
DRTU37-3.00-50	3	3-3/4	1/2	.531 ⁺⁰¹⁵ / ₊₀₀₀	3.000 ⁺⁰⁰⁰ / _{-.004}	3.750 ⁺⁰⁰⁹ / ₊₀₀₀	32.12
DRTU37-3.50-62	3-1/2	4-1/4	5/8	.656 ⁺⁰¹⁵ / ₊₀₀₀	3.500 ⁺⁰⁰⁰ / _{-.004}	4.250 ⁺⁰⁰⁹ / ₊₀₀₀	40.06
DRTU37-4.00-62	4	4-3/4	5/8	.656 ⁺⁰¹⁵ / ₊₀₀₀	4.000 ⁺⁰⁰⁰ / _{-.004}	4.750 ⁺⁰⁰⁹ / ₊₀₀₀	45.84
DRTU37-4.50-62	4-1/2	5-1/4	5/8	.656 ⁺⁰¹⁵ / ₊₀₀₀	4.500 ⁺⁰⁰⁰ / _{-.004}	5.250 ⁺⁰¹⁰ / ₊₀₀₀	57.32
DRTU37-4.75-62	4-3/4	5-1/2	5/8	.656 ⁺⁰¹⁵ / ₊₀₀₀	4.750 ⁺⁰⁰⁰ / _{-.004}	5.500 ⁺⁰¹⁰ / ₊₀₀₀	61.17
DRTU37-5.00-62	5	5-3/4	5/8	.656 ⁺⁰¹⁵ / ₊₀₀₀	5.000 ⁺⁰⁰⁰ / _{-.004}	5.750 ⁺⁰¹⁰ / ₊₀₀₀	93.62

STYLE DRTU-BHT HEAVY DUTY ROD U-SEALS



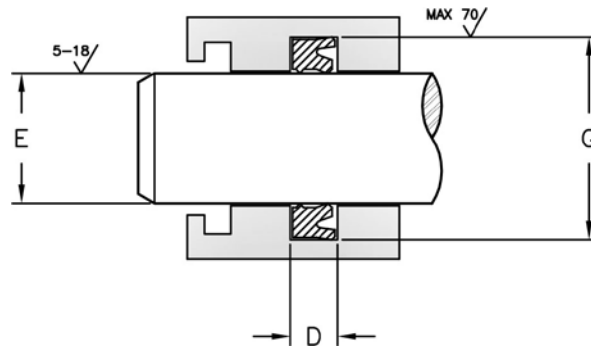
Style DRTU-BHT rod seals are molded in Freudenberg® AU 30000 urethane. These seals are specifically designed with a second lip on their inside diameter and engineered to attain maximum life and reliability in dynamic rod sealing. This feature results in reduced leakage, less friction, increased stability, and prevents air and contaminants from entering the cylinder. This high tear-resistant urethane demonstrates stability throughout a wide range of temperatures. In addition, this material is well suited to mineral and biodegradable hydraulic fluids as well as being resistant to hydrolysis.



HERCULES PART NUMBERS

DRTU 12 - 0.75 - 25 BHT
 Type of Seal Cross Section Inside Diameter Height

SEAL INFORMATION	
MATERIAL	94A URETHANE
TEMPERATURE RANGE	-31°F TO 250°F
PRESSURE RANGE	0 TO 7250 PSI
SPEED	1.5 FT/SEC



MAXIMUM EXTRUSION GAP				
PRESSURE	1000 PSI	3000 PSI	5000 PSI	6000 PSI
MAX DIAM. GAP	0.032"	0.015"	0.012"	0.009"

Part Number	A Nom. ID	B Nom. OD	C Nom. Ht	D GROOVE WIDTH	E ROD DIAMETER	G HOUSING DIAMETER	List Price
1/8" C/S							
DRTU12-0.75-25-BHT	3/4	1	1/4	.281 ^{+0.015} / _{+0.000}	.750 ^{+0.000} / _{-.003}	1.000 ^{+0.005} / _{+0.000}	\$17.17
DRTU12-1.00-25-BHT	1	1-1/4	1/4	.281 ^{+0.015} / _{+0.000}	1.000 ^{+0.000} / _{-.003}	1.250 ^{+0.005} / _{+0.000}	18.10
3/16" C/S							
DRTU18-1.00-31-BHT	1	1-3/8	5/16	.343 ^{+0.015} / _{+0.000}	1.000 ^{+0.000} / _{-.003}	1.375 ^{+0.005} / _{+0.000}	\$20.30
DRTU18-1.12-25-BHT	1-1/8	1-1/2	1/4	.281 ^{+0.015} / _{+0.000}	1.125 ^{+0.000} / _{-.003}	1.500 ^{+0.007} / _{+0.000}	21.24
DRTU18-1.12-31-BHT	1-1/8	1-1/2	5/16	.343 ^{+0.015} / _{+0.000}	1.125 ^{+0.000} / _{-.003}	1.500 ^{+0.007} / _{+0.000}	21.24

STYLE DRTU-BHT HEAVY DUTY ROD U-SEALS

ROD U-SEALS

Part Number	A Nom. ID	B Nom. OD	C Nom. Ht	D GROOVE WIDTH	E ROD DIAMETER	G HOUSING DIAMETER	List Price
DRTU18-1.25-31-BHT	1-1/4	1-5/8	5/16	.343 ^{+0.015} / _{+0.000}	1.250 ^{+0.000} / _{-0.003}	1.625 ^{+0.007} / _{+0.000}	22.02
DRTU18-1.37-31-BHT	1-3/8	1-3/4	5/16	.343 ^{+0.015} / _{+0.000}	1.375 ^{+0.000} / _{-0.003}	1.750 ^{+0.007} / _{+0.000}	22.02
DRTU18-1.50-25-BHT	1-1/2	1-7/8	1/4	.281 ^{+0.015} / _{+0.000}	1.500 ^{+0.000} / _{-0.003}	1.875 ^{+0.007} / _{+0.000}	23.11
DRTU18-1.50-31-BHT	1-1/2	1-7/8	5/16	.343 ^{+0.015} / _{+0.000}	1.500 ^{+0.000} / _{-0.003}	1.875 ^{+0.007} / _{+0.000}	23.11
DRTU18-1.50-37-BHT	1-1/2	1-7/8	3/8	.406 ^{+0.015} / _{+0.000}	1.500 ^{+0.000} / _{-0.003}	1.875 ^{+0.007} / _{+0.000}	23.11
DRTU18-1.62-37-BHT	1-5/8	2	3/8	.406 ^{+0.015} / _{+0.000}	1.625 ^{+0.000} / _{-0.003}	2.000 ^{+0.008} / _{+0.000}	23.11
DRTU18-1.75-25-BHT	1-3/4	2-1/8	1/4	.281 ^{+0.015} / _{+0.000}	1.750 ^{+0.000} / _{-0.003}	2.125 ^{+0.008} / _{+0.000}	29.35
DRTU18-1.75-31-BHT	1-3/4	2-1/8	5/16	.343 ^{+0.015} / _{+0.000}	1.750 ^{+0.000} / _{-0.003}	2.125 ^{+0.008} / _{+0.000}	26.84
DRTU18-1.75-37-BHT	1-3/4	2-1/8	3/8	.406 ^{+0.015} / _{+0.000}	1.750 ^{+0.000} / _{-0.003}	2.125 ^{+0.008} / _{+0.000}	26.84
DRTU18-2.00-31-BHT	2	2-3/8	5/16	.343 ^{+0.015} / _{+0.000}	2.000 ^{+0.000} / _{-0.003}	2.375 ^{+0.008} / _{+0.000}	29.35
DRTU18-2.00-37-BHT	2	2-3/8	3/8	.406 ^{+0.015} / _{+0.000}	2.000 ^{+0.000} / _{-0.003}	2.375 ^{+0.008} / _{+0.000}	29.35
DRTU18-2.25-37-BHT	2-1/4	2-5/8	3/8	.406 ^{+0.015} / _{+0.000}	2.250 ^{+0.000} / _{-0.003}	2.625 ^{+0.008} / _{+0.000}	32.48
DRTU18-2.50-37-BHT	2-1/2	2-7/8	3/8	.406 ^{+0.015} / _{+0.000}	2.500 ^{+0.000} / _{-0.003}	2.875 ^{+0.008} / _{+0.000}	34.36
1/4" C/S							
DRTU25-1.25-37-BHT	1-1/4	1-3/4	3/8	.406 ^{+0.015} / _{+0.000}	1.250 ^{+0.000} / _{-0.003}	1.750 ^{+0.007} / _{+0.000}	\$22.02
DRTU25-1.37-37-BHT	1-3/8	1-7/8	3/8	.406 ^{+0.015} / _{+0.000}	1.375 ^{+0.000} / _{-0.003}	1.875 ^{+0.007} / _{+0.000}	21.29
DRTU25-1.50-37-BHT	1-1/2	2	.37	.406 ^{+0.015} / _{+0.000}	1.500 ^{+0.000} / _{-0.003}	2.000 ^{+0.008} / _{+0.000}	23.11
DRTU25-1.75-37-BHT	1-3/4	2-1/4	3/8	.406 ^{+0.015} / _{+0.000}	1.750 ^{+0.000} / _{-0.003}	2.250 ^{+0.008} / _{+0.000}	29.35
DRTU25-2.00-37-BHT	2	2-1/2	3/8	.406 ^{+0.015} / _{+0.000}	2.000 ^{+0.000} / _{-0.003}	2.500 ^{+0.008} / _{+0.000}	30.92
DRTU25-2.25-37-BHT	2-1/4	2-3/4	3/8	.406 ^{+0.015} / _{+0.000}	2.250 ^{+0.000} / _{-0.003}	2.750 ^{+0.008} / _{+0.000}	32.48
DRTU25-2.37-37-BHT	2-3/8	2-7/8	3/8	.406 ^{+0.015} / _{+0.000}	2.375 ^{+0.000} / _{-0.003}	2.875 ^{+0.008} / _{+0.000}	34.36
DRTU25-2.50-37-BHT	2-1/2	3	3/8	.406 ^{+0.015} / _{+0.000}	2.500 ^{+0.000} / _{-0.003}	3.000 ^{+0.008} / _{+0.000}	34.36
DRTU25-2.75-37-BHT	2-3/4	3-1/4	3/8	.406 ^{+0.015} / _{+0.000}	2.750 ^{+0.000} / _{-0.003}	3.250 ^{+0.009} / _{+0.000}	41.23
DRTU25-3.00-37-BHT	3	3-1/2	3/8	.406 ^{+0.015} / _{+0.000}	3.000 ^{+0.000} / _{-0.004}	3.500 ^{+0.009} / _{+0.000}	43.82
DRTU25-3.25-37-BHT	3-1/4	3-3/4	3/8	.406 ^{+0.015} / _{+0.000}	3.250 ^{+0.000} / _{-0.004}	3.750 ^{+0.009} / _{+0.000}	47.27
DRTU25-3.50-37-BHT	3-1/2	4	3/8	.406 ^{+0.015} / _{+0.000}	3.500 ^{+0.000} / _{-0.004}	4.000 ^{+0.009} / _{+0.000}	51.85
DRTU25-4.00-37-BHT	4	4-1/2	3/8	.406 ^{+0.015} / _{+0.000}	4.000 ^{+0.000} / _{-0.004}	4.500 ^{+0.009} / _{+0.000}	64.73
5/16" C/S							
DRTU31-1.75-37-BHT	1-3/4	2-3/8	3/8	.406 ^{+0.015} / _{+0.000}	1.750 ^{+0.000} / _{-0.003}	2.375 ^{+0.008} / _{+0.000}	\$29.35
DRTU31-2.50-50-BHT	2-1/2	3-1/8	1/2	.531 ^{+0.015} / _{+0.000}	2.500 ^{+0.000} / _{-0.003}	3.125 ^{+0.008} / _{+0.000}	36.66
DRTU31-2.75-50-BHT	2-3/4	3-3/8	1/2	.531 ^{+0.015} / _{+0.000}	2.750 ^{+0.000} / _{-0.003}	3.375 ^{+0.009} / _{+0.000}	41.23
DRTU31-3.00-50-BHT	3	3-5/8	1/2	.531 ^{+0.015} / _{+0.000}	3.000 ^{+0.000} / _{-0.004}	3.625 ^{+0.009} / _{+0.000}	47.27
3/8" C/S							
DRTU37-3.00-50-BHT	3	3-3/4	1/2	.531 ^{+0.015} / _{+0.000}	3.000 ^{+0.000} / _{-0.004}	3.750 ^{+0.009} / _{+0.000}	\$47.27

STYLE DRTU-BHT HEAVY DUTY ROD U-SEALS

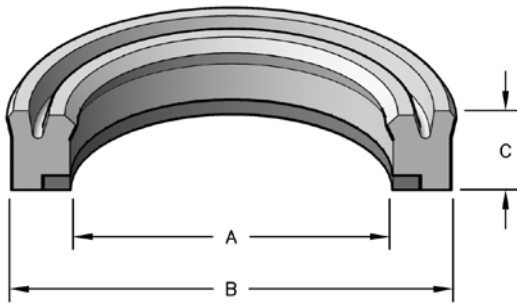


Part Number	A Nom. ID	B Nom. OD	C Nom. Ht	D GROOVE WIDTH	E ROD DIAMETER	G HOUSING DIAMETER	List Price
DRTU37-3.50-62-BHT	3-1/2	4-1/4	5/8	.656 ⁺⁰¹⁵ / ₊₀₀₀	3.500 ⁺⁰⁰⁰ / _{-.004}	4.250 ⁺⁰⁰⁹ / ₊₀₀₀	61.02

ROD U-SEALS

STYLE DRUB HEAVY DUTY ROD U-SEALS

These seals are specifically designed to seal on their inside diameter and engineered to attain maximum life and reliability in dynamic rod sealing. They employ a hard plastic ID back-up ring to reduce the possibility of extrusion.

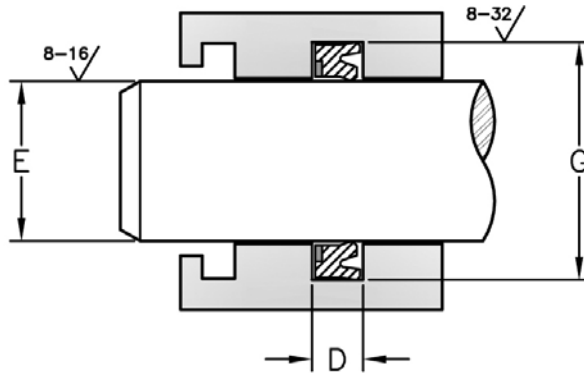


HERCULES PART NUMBERS

DRUB 25 - 2.37 - 37

Type of Seal Cross Section Inside Diameter Height

SEAL INFORMATION	
MATERIAL	92A URETHANE
TEMPERATURE RANGE	-40° TO +230° F
PRESSURE RANGE	0 TO 6,000 PSI
SPEED	3 FT/SEC



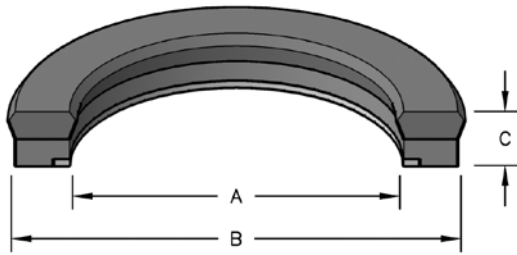
ROD U-SEALS

Part Number	A Nom. ID	B Nom. OD	C Nom. Ht	D GROOVE WIDTH	E ROD DIAMETER	G HOUSING DIAMETER	List Price
1/4" C/S							
DRUB25-2.37-37	2-3/8	2-7/8	3/8	.406 ⁺⁰¹⁵ / ₊₀₀₀	2.375 ⁺⁰⁰⁰ / _{-.003}	2.875 ⁺⁰⁰⁸ / ₊₀₀₀	\$77.78
DRUB25-2.50-37	2-1/2	3	3/8	.406 ⁺⁰¹⁵ / ₊₀₀₀	2.500 ⁺⁰⁰⁰ / _{-.003}	3.000 ⁺⁰⁰⁸ / ₊₀₀₀	71.47
3/8" C/S							
DRUB37-5.75-62	5-3/4	6-1/2	5/8	.656 ⁺⁰¹⁵ / ₊₀₀₀	5.750 ⁺⁰⁰⁰ / _{-.004}	6.500 ⁺⁰¹⁰ / ₊₀₀₀	\$163.62

STYLE UFN-EI ROD SEALS W / BACK-UP RINGS



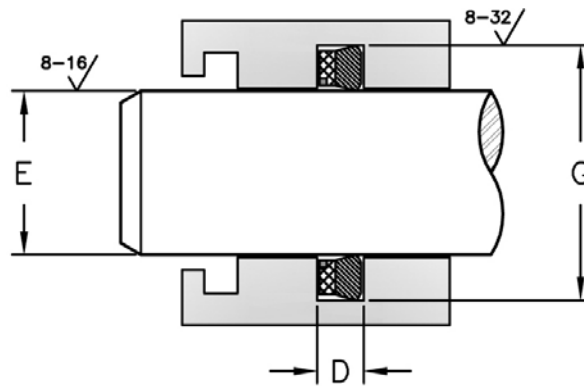
Incorporating a rubber seal lip, a rubberized fabric heel, and an acetal back-up ring, this seal provides excellent sealability and high extrusion resistance.



HERCULES PART NUMBERS

UFN 12 - 1.00 - 18 EI
 Type of Seal Cross Section Inside Diameter Height

SEAL INFORMATION	
MATERIAL	RUBBER, FABRIC, ACETAL
TEMPERATURE RANGE	-22° TO +212° F
PRESSURE RANGE	0 TO 5,800 PSI
SPEED	1.5 FT/SEC



Part Number	A Nom. ID	B Nom. OD	C Nom. Ht	D GROOVE WIDTH	E ROD DIAMETER	G HOUSING DIAMETER	List Price
1/8" C/S							
UFN12-1.00-18EI	1	1-1/4	3/16	.202 ⁺⁰¹⁰ / ₊₀₀₀	1.000 ⁻⁰⁰¹ / ₋₀₀₂	1.250 ±.003	\$13.04
UFN12-1.12-18EI	1-1/8	1-3/8	3/16	.202 ⁺⁰¹⁰ / ₊₀₀₀	1.125 ⁻⁰⁰¹ / ₋₀₀₂	1.375 ±.003	15.53
5/32" C/S							
UFN15-2.00-25EI	2	2-5/16	1/4	.265 ⁺⁰¹⁰ / ₊₀₀₀	2.000 ⁻⁰⁰¹ / ₋₀₀₃	2.312 ±.004	\$18.17
3/16" C/S							
UFN18-0.62-28EI	5/8	1	9/32	.296 ⁺⁰¹⁰ / ₊₀₀₀	.625 ⁻⁰⁰¹ / ₋₀₀₂	1.000 ±.003	\$14.15
UFN18-0.75-31EI	3/4	1-1/8	5/16	.327 ⁺⁰¹⁰ / ₊₀₀₀	.750 ⁻⁰⁰¹ / ₋₀₀₂	1.125 ±.003	15.82
UFN18-1.00-25EI	1	1-3/8	1/4	.265 ⁺⁰¹⁰ / ₊₀₀₀	1.000 ⁻⁰⁰¹ / ₋₀₀₂	1.375 ±.003	13.49
UFN18-1.25-25EI	1-1/4	1-5/8	1/4	.265 ⁺⁰¹⁰ / ₊₀₀₀	1.250 ⁻⁰⁰¹ / ₋₀₀₃	1.625 ±.003	13.96
UFN18-1.25-28EI	1-1/4	1-5/8	9/32	.296 ⁺⁰¹⁰ / ₊₀₀₀	1.250 ⁻⁰⁰¹ / ₋₀₀₃	1.625 ±.003	13.28
UFN18-1.37-28EI	1-3/8	1-3/4	9/32	.296 ⁺⁰¹⁰ / ₊₀₀₀	1.375 ⁻⁰⁰¹ / ₋₀₀₃	1.750 ±.003	19.51
UFN18-1.50-25EI	1-1/2	1-7/8	1/4	.265 ⁺⁰¹⁰ / ₊₀₀₀	1.500 ⁻⁰⁰¹ / ₋₀₀₃	1.875 ±.003	16.72
UFN18-1.50-28EI	1-1/2	1-7/8	9/32	.296 ⁺⁰¹⁰ / ₊₀₀₀	1.500 ⁻⁰⁰¹ / ₋₀₀₃	1.875 ±.003	14.62
UFN18-1.75-28EI	1-3/4	2-1/8	9/32	.296 ⁺⁰¹⁰ / ₊₀₀₀	1.750 ⁻⁰⁰¹ / ₋₀₀₃	2.125 ±.004	17.23

ROD U-SEALS

STYLE UFN-EI ROD SEALS W / BACK-UP RINGS

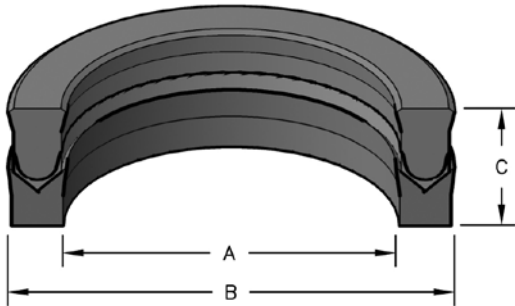
ROD U-SEALS

Part Number	A Nom. ID	B Nom. OD	C Nom. Ht	D GROOVE WIDTH	E ROD DIAMETER	G HOUSING DIAMETER	List Price
UFN18-1.75-30EI	1-3/4	2-1/8	5/16	.327 ^{+0.010} / _{+0.000}	1.750 ^{-0.001} / _{-0.003}	2.125 ±.004	16.99
UFN18-2.12-31EI	2-1/8	2-1/2	5/16	.327 ^{+0.010} / _{+0.000}	2.125 ^{-0.001} / _{-0.003}	2.500 ±.004	20.22
7/32" C/S							
UFN22-1.12-34EI	1-1/8	1-9/16	11/32	.358 ^{+0.010} / _{+0.000}	1.125 ^{-0.001} / _{-0.002}	1.562 ±.003	\$ 13.72
1/4" C/S							
UFN25-1.00-25EI	1	1-1/2	1/4	.265 ^{+0.010} / _{+0.000}	1.000 ^{-0.001} / _{-0.002}	1.500 ±.003	\$ 15.33
UFN25-1.00-37EI	1	1-1/2	3/8	.390 ^{+0.010} / _{+0.000}	1.000 ^{-0.001} / _{-0.002}	1.500 ±.003	13.28
UFN25-1.12-37EI	1-1/8	1-5/8	3/8	.390 ^{+0.010} / _{+0.000}	1.125 ^{-0.001} / _{-0.002}	1.625 ±.003	13.72
UFN25-1.25-37EI	1-1/4	1-3/4	3/8	.390 ^{+0.010} / _{+0.000}	1.250 ^{-0.001} / _{-0.003}	1.750 ±.003	16.99
UFN25-1.50-37EI	1-1/2	2	3/8	.390 ^{+0.010} / _{+0.000}	1.500 ^{-0.001} / _{-0.003}	2.000 ±.004	14.62
UFN25-1.50-46EI	1-1/2	2	15/32	.483 ^{+0.010} / _{+0.000}	1.500 ^{-0.001} / _{-0.003}	2.000 ±.004	14.62
UFN25-1.75-37EI	1-3/4	2-1/4	3/8	.390 ^{+0.010} / _{+0.000}	1.750 ^{-0.001} / _{-0.003}	2.250 ±.004	13.96
UFN25-2.00-37EI	2	2-1/2	3/8	.390 ^{+0.010} / _{+0.000}	2.000 ^{-0.001} / _{-0.003}	2.500 ±.004	20.01
UFN25-2.25-37EI	2-1/4	2-3/4	3/8	.390 ^{+0.010} / _{+0.000}	2.250 ^{-0.001} / _{-0.003}	2.750 ±.004	19.51
UFN25-2.50-31EI	2-1/2	3	5/16	.327 ^{+0.010} / _{+0.000}	2.500 ^{-0.001} / _{-0.003}	3.000 ±.004	24.16
UFN25-3.50-37EI	3-1/2	4	3/8	.390 ^{+0.010} / _{+0.000}	3.500 ^{-0.001} / _{-0.004}	4.000 ±.004	45.36
5/16" C/S							
UFN31-1.25-43EI	1-1/4	1-7/8	7/16	.452 ^{+0.010} / _{+0.000}	1.250 ^{-0.001} / _{-0.003}	1.875 ±.003	\$ 17.69
UFN31-1.50-43EI	1-1/2	2-1/8	7/16	.452 ^{+0.010} / _{+0.000}	1.500 ^{-0.001} / _{-0.003}	2.125 ±.004	16.99
UFN31-1.75-43EI	1-3/4	2-3/8	7/16	.452 ^{+0.010} / _{+0.000}	1.750 ^{-0.001} / _{-0.003}	2.375 ±.004	19.27
UFN31-2.00-43EI	2	2-5/8	7/16	.452 ^{+0.010} / _{+0.000}	2.000 ^{-0.001} / _{-0.003}	2.625 ±.004	20.67
3/8" C/S							
UFN37-2.50-56EI	2-1/2	3-1/4	9/16	.577 ^{+0.010} / _{+0.000}	2.500 ^{-0.001} / _{-0.003}	3.250 ±.004	\$ 25.15
UFN37-3.00-56EI	3	3-3/4	9/16	.577 ^{+0.010} / _{+0.000}	3.000 ^{-0.001} / _{-0.003}	3.750 ±.004	32.09
UFN37-3.50-56EI	3-1/2	4-1/4	9/16	.577 ^{+0.010} / _{+0.000}	3.500 ^{-0.001} / _{-0.004}	4.250 ±.004	43.49

STYLE UFN-BR ROD U-SEALS W / HEADERS



This is a single acting rod seal designed for low and high pressure sealing and is commonly found in telescopic cylinders. The seal consists of a molded rubber sealing lip, rubberized fabric heel, and a polyester header for improved extrusion resistance.

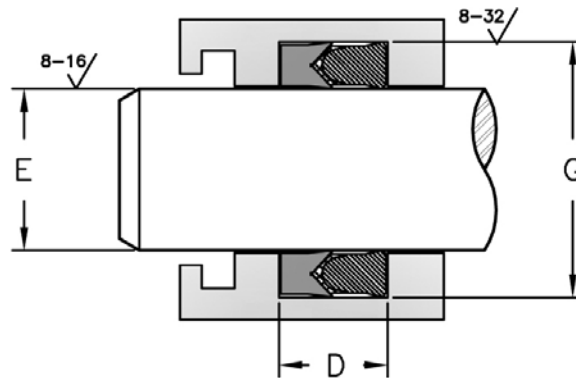


HERCULES PART NUMBERS

UFN 22 - 2.75 - 75BR-L-F

Type of Seal Cross Section Inside Diameter Height

SEAL INFORMATION	
MATERIAL	RUBBER, FABRIC, POLYESTER ELASTOMER
TEMPERATURE RANGE	-22° TO +212° F
PRESSURE RANGE	1.64 FPS @ 3600 PSI 0.49 FPS @ 5800 PSI
SPEED	1.5 FT/SEC



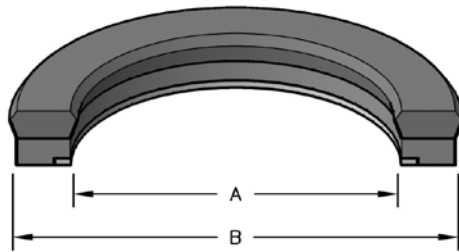
Part Number	A Nom. ID	B Nom. OD	C Nom. Ht	D GROOVE WIDTH	E ROD DIAMETER	G HOUSING DIAMETER	List Price
UFN25-3.50-75BR-L-F	3-1/2	4.013	3/4	.765 ^{+0.010} / _{+0.000}	3.500 ^{-0.0014} / _{-0.0035}	4.013 ±.003	\$47.58
UFN25-4.37-75BR-L-F	4-3/8	4-7/8	3/4	.765 ^{+0.010} / _{+0.000}	4.375 ^{-0.0014} / _{-0.0035}	4.875 ±.003	56.30
UFN28-6.31-75BR-L-F	6.312	6-7/8	3/4	.765 ^{+0.010} / _{+0.000}	6.312 ^{-0.0017} / _{-0.0042}	6.875 ±.003	100.01

ROD U-SEALS



STYLE UFN-EI-SAG ROD SEALS W / BACK-UP RINGS

This is a single acting rod seal designed for low and high pressure sealing and is commonly found in telescopic cylinders. The seal consists of a molded rubber sealing lip, rubberized fabric heel, and an acetal back-up ring for improved extrusion resistance.

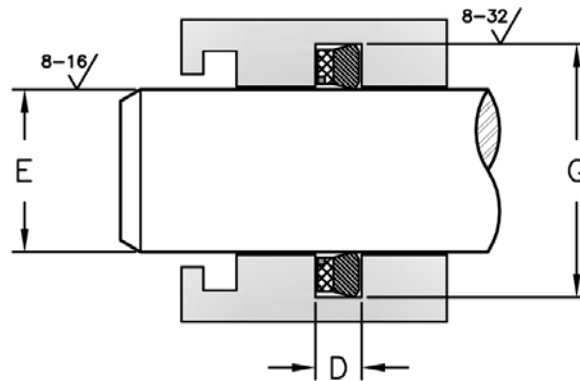


HERCULES PART NUMBERS

UFN 21 - 2.00 - 41EI-SAG-F

Type of Seal Cross Section Inside Diameter Height

SEAL INFORMATION	
MATERIAL	RUBBER, FABRIC, ACETAL
TEMPERATURE RANGE	-22° TO +212° F
PRESSURE RANGE	1.64 FPS @ 3600 PSI 0.49 FPS @ 5800 PSI
SPEED	1.5 FT/SEC



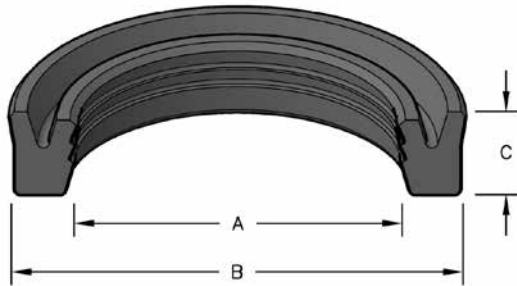
ROD U-SEALS

Part Number	A Nom. ID	B Nom. OD	C Nom. Ht	D GROOVE WIDTH	E ROD DIAMETER	G HOUSING DIAMETER	List Price
UFN21-2.00-41EI-SAG-F	2	2-7/16	.406	.421 ^{+0.010} / _{+0.000}	2.000 ^{-0.0012} / _{-0.0030}	2.437 ±.0037	\$58.48
UFN21-2.75-41EI-SAG-F	2-3/4	3-3/16	.406	.421 ^{+0.010} / _{+0.000}	2.750 ^{-0.0012} / _{-0.0030}	3.187 ±.0043	93.99
UFN25-3.50-46EI-SAG-F	3-1/2	4	.468	.483 ^{+0.010} / _{+0.000}	3.500 ^{-0.0014} / _{-0.0035}	4.000 ±.0043	129.04
UFN25-4.37-46EI-SAG-F	4-3/8	4-7/8	.468	.483 ^{+0.010} / _{+0.000}	4.375 ^{-0.0014} / _{-0.0035}	4.875 ±.0049	139.95
UFN31-5.25-46EI-SAG-F	5-1/4	5-7/8	.468	.483 ^{+0.010} / _{+0.000}	5.250 ^{-0.0017} / _{-0.0042}	5.875 ±.0049	201.04

STYLE HMU POLYURETHANE U-SEALS



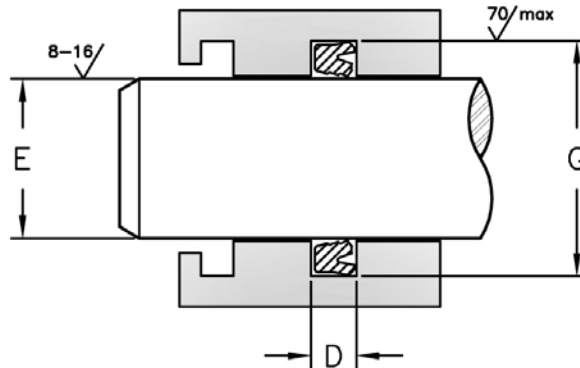
The HMU style multi-lip rod u-seal combines the pressure-compensating, uni-directional characteristics of a u-seal with the multi-lip sealing effectiveness of compression-type stacked-packings. Made from premium materials, the HMU utilizes several sealing lip edges for dry rod performance while minimizing friction. The multi-lip design maintains a critical sealing edge even though increasing pressure moves the line of contact down toward the heel.



HERCULES PART NUMBERS

HMU 12 - 0.50 - 21U
 Type of Seal Cross Section Inside Diameter Height

SEAL INFORMATION	
MATERIAL	92A URETHANE
TEMPERATURE RANGE	-40° TO +200° F
PRESSURE RANGE	0 TO 5,000 PSI
SPEED	3 FT/SEC



ROD U-SEALS

Part Number	A Nom. ID	B Nom. OD	C Nom. Ht	D GROOVE WIDTH	E ROD DIAMETER	G HOUSING DIAMETER	List Price
1/8" C/S							
HMU12-0.50-21U	1/2	3/4	.209	.230 ⁺⁰¹⁵ / ₊₀₀₀	.500 ⁻⁰⁰¹ / ₋₀₀₂	.750 ⁺⁰⁰² / ₊₀₀₀	\$22.99
HMU12-0.62-17U	5/8	7/8	.17	.1875 ⁺⁰¹⁶ / ₋₀₀₁	.625 ⁻⁰⁰¹ / ₋₀₀₂	.875 ⁺⁰⁰² / ₊₀₀₀	7.60
HMU12-0.62-21U	5/8	7/8	.209	.230 ⁺⁰¹⁵ / ₊₀₀₀	.625 ⁻⁰⁰¹ / ₋₀₀₂	.875 ⁺⁰⁰² / ₊₀₀₀	23.75
HMU12-1.00-25U	1	1-1/4	1/4	.275 ⁺⁰¹⁵ / ₊₀₀₀	1.000 ⁻⁰⁰¹ / ₋₀₀₂	1.250 ⁺⁰⁰² / ₊₀₀₀	8.49
5/32" C/S							
HMU15-1.00-21U	1	1-5/16	.232	.250 ⁺⁰¹⁵ / ₊₀₀₀	1.000 ⁻⁰⁰¹ / ₋₀₀₂	1.313 ⁺⁰⁰² / ₊₀₀₀	\$29.01
HMU15-1.00-24U	1	1-5/16	.24	.250 ⁺⁰¹⁵ / ₊₀₀₀	1.000 ⁻⁰⁰¹ / ₋₀₀₂	1.312 ⁺⁰⁰² / ₊₀₀₀	25.35
HMU15-1.37-24U	1-3/8	1-11/16	.232	.250 ⁺⁰¹⁵ / ₊₀₀₀	1.375 ⁻⁰⁰¹ / ₋₀₀₃	1.688 ⁺⁰⁰² / ₊₀₀₀	34.20
3/16" C/S							
HMU18-1.37-31U	1-3/8	1-3/4	.313	.344 ⁺⁰¹⁵ / ₊₀₀₀	1.375 ⁻⁰⁰¹ / ₋₀₀₃	1.750 ⁺⁰⁰² / ₊₀₀₀	\$10.08
HMU18-1.75-27U	1-3/4	2-1/8	.272	.281 ⁺⁰¹⁵ / ₊₀₀₀	1.750 ⁻⁰⁰¹ / ₋₀₀₃	2.125 ⁺⁰⁰³ / ₊₀₀₀	40.73
HMU18-1.75-38U	1-3/4	2-1/8	.38	.410 ⁺⁰¹⁵ / ₊₀₀₀	1.750 ⁻⁰⁰¹ / ₋₀₀₃	2.125 ⁺⁰⁰³ / ₊₀₀₀	19.88
HMU18-2.00-27U	2	2-3/8	.272	.281 ⁺⁰¹⁵ / ₊₀₀₀	2.000 ⁻⁰⁰¹ / ₋₀₀₃	2.375 ⁺⁰⁰³ / ₊₀₀₀	47.30



STYLE HMU POLYURETHANE U-SEALS

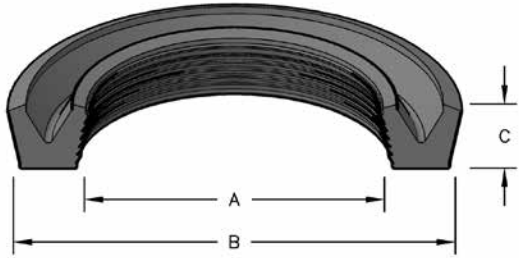
ROD U-SEALS

Part Number	A Nom. ID	B Nom. OD	C Nom. Ht	D GROOVE WIDTH	E ROD DIAMETER	G HOUSING DIAMETER	List Price
HMU18-2.00-38U	2	2-3/8	.38	.410 ⁺⁰¹⁵ / ₊₀₀₀	2.000 ⁻⁰⁰¹ / ₋₀₀₃	2.375 ⁺⁰⁰³ / ₊₀₀₀	20.64
HMU18-2.50-38U	2-1/2	2-7/8	.38	.410 ⁺⁰¹⁵ / ₊₀₀₀	2.500 ⁻⁰⁰¹ / ₋₀₀₃	2.875 ⁺⁰⁰³ / ₊₀₀₀	23.45
HMU18-3.00-38U	3	3-3/8	.38	.410 ⁺⁰¹⁵ / ₊₀₀₀	3.000 ⁻⁰⁰¹ / ₋₀₀₃	3.375 ⁺⁰⁰³ / ₊₀₀₀	26.63
HMU18-3.50-38U	3-1/2	3-7/8	.38	.410 ⁺⁰¹⁵ / ₊₀₀₀	3.500 ⁻⁰⁰¹ / ₋₀₀₄	3.875 ⁺⁰⁰³ / ₊₀₀₀	42.47
HMU18-4.00-38U	4	4-3/8	3/8	.410 ⁺⁰¹⁵ / ₊₀₀₀	4.000 ⁻⁰⁰¹ / ₋₀₀₃	4.375 ⁺⁰⁰³ / ₊₀₀₀	50.39
7/32" C/S							
HMU21-2.50-30U	2-1/2	2-15/16	.29	.313 ⁺⁰¹⁵ / ₊₀₀₀	2.500 ⁻⁰⁰¹ / ₋₀₀₃	2.938 ⁺⁰⁰³ / ₊₀₀₀	\$49.85
HMU21-3.00-30U	3	3-7/16	.29	.313 ⁺⁰¹⁵ / ₊₀₀₀	3.000 ⁻⁰⁰¹ / ₋₀₀₃	3.438 ⁺⁰⁰³ / ₊₀₀₀	52.49
1/4" C/S							
HMU25-3.50-33U	3-1/2	4	.327	.355 ⁺⁰¹⁵ / ₊₀₀₀	3.500 ⁻⁰⁰¹ / ₋₀₀₄	4.000 ⁺⁰⁰³ / ₊₀₀₀	\$62.37
HMU25-4.00-33U	4	4-1/2	.327	.355 ⁺⁰¹⁵ / ₊₀₀₀	4.000 ⁻⁰⁰¹ / ₋₀₀₄	4.500 ⁺⁰⁰³ / ₊₀₀₀	69.77
HMU25-4.50-33U	4-1/2	5	.327	.355 ⁺⁰¹⁵ / ₊₀₀₀	4.500 ⁻⁰⁰¹ / ₋₀₀₄	5.000 ⁺⁰⁰⁴ / ₊₀₀₀	77.15
9/32" C/S							
HMU28-5.00-35U	5	5-9/16	.352	.390 ⁺⁰¹⁵ / ₊₀₀₀	5.000 ⁻⁰⁰² / ₋₀₀₄	5.563 ⁺⁰⁰⁴ / ₊₀₀₀	\$84.56
5/16" C/S							
HMU31-5.50-38U	5-1/2	6-1/8	.38	.410 ⁺⁰¹⁵ / ₊₀₀₀	5.500 ⁻⁰⁰² / ₋₀₀₄	6.120 ⁺⁰⁰⁴ / ₊₀₀₀	\$93.71

STYLE HMU HOMOGENOUS U-SEALS



The HMU style multi-lip rod u-seal combines the pressure-compensating, uni-directional characteristics of a u-seal with the multi-lip sealing effectiveness of compression-type stacked-packings. Made from premium materials, the HMU utilizes several sealing lip edges for dry rod performance while minimizing friction. The multi-lip design maintains a critical sealing edge even though increasing pressure moves the line of contact down toward the heel.



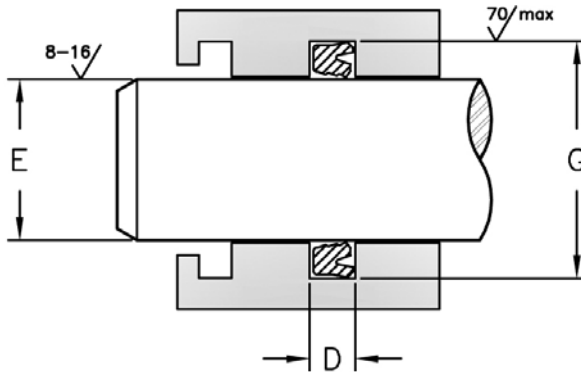
HERCULES PART NUMBERS

HMU 15 - 0.62 - 15N

Type of Seal Cross Section Inside Diameter Height

N=BUNA-N
V=FLUOROCARBON

SEAL INFORMATION	
MATERIAL	80A BUNA-N RUBBER 90A FLUOROCARBON
TEMPERATURE RANGE	BUNA-N: -40° TO +250° F FC: -20° TO +400° F
PRESSURE RANGE	BUNA-N: 0 TO 1,000 PSI FC: 0-2,000 PSI
SPEED	3 FT/SEC



Part Number	A Nom. ID	B Nom. OD	C Nom. Ht	D GROOVE WIDTH	E ROD DIAMETER	G HOUSING DIAMETER	List Price
1/8" C/S							
HMU12-0.62-15N	5/8	7/8	5/32	.172 ^{+0.015} / _{+0.000}	.625 ^{-0.001} / _{-0.002}	.875 ^{+0.002} / _{+0.000}	\$12.87
HMU12-0.62-15V	5/8	7/8	5/32	.172 ^{+0.015} / _{+0.000}	.625 ^{-0.001} / _{-0.002}	.875 ^{+0.002} / _{+0.000}	44.79
5/32" C/S							
HMU15-1.00-18N	1	1-5/16	3/16	.206 ^{+0.015} / _{+0.000}	1.000 ^{-0.001} / _{-0.002}	1.3125 ^{+0.002} / _{+0.000}	\$12.25
HMU15-1.00-18V	1	1-5/16	3/16	.206 ^{+0.015} / _{+0.000}	1.000 ^{-0.001} / _{-0.002}	1.3125 ^{+0.002} / _{+0.000}	22.76
HMU15-1.37-18N	1-3/8	1-11/16	3/16	.206 ^{+0.015} / _{+0.000}	1.375 ^{-0.001} / _{-0.003}	1.6875 ^{+0.002} / _{+0.000}	16.42
HMU15-1.37-18V	1-3/8	1-11/16	3/16	.206 ^{+0.015} / _{+0.000}	1.375 ^{-0.001} / _{-0.003}	1.6875 ^{+0.002} / _{+0.000}	48.71
3/16" C/S							
HMU18-1.75-21N	1-3/4	2-1/8	7/32	.241 ^{+0.015} / _{+0.000}	1.750 ^{-0.001} / _{-0.003}	2.125 ^{+0.003} / _{+0.000}	\$18.06
HMU18-1.75-21V	1-3/4	2-1/8	7/32	.241 ^{+0.015} / _{+0.000}	1.750 ^{-0.001} / _{-0.003}	2.125 ^{+0.003} / _{+0.000}	59.32
HMU18-2.00-21N	2	2-3/8	7/32	.241 ^{+0.015} / _{+0.000}	2.000 ^{-0.001} / _{-0.003}	2.375 ^{+0.003} / _{+0.000}	21.72
HMU18-2.00-21V	2	2-3/8	7/32	.241 ^{+0.015} / _{+0.000}	2.000 ^{-0.001} / _{-0.003}	2.375 ^{+0.003} / _{+0.000}	67.81
7/32" C/S							
HMU21-2.50-24N	2-1/2	2-15/16	.24	.264 ^{+0.015} / _{+0.000}	2.500 ^{-0.001} / _{-0.003}	2.9375 ^{+0.003} / _{+0.000}	\$24.48

ROD U-SEALS

STYLE HMU HOMOGENOUS U-SEALS

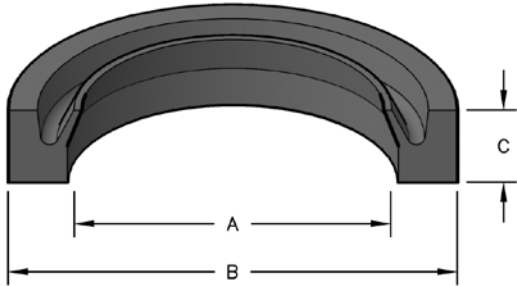
ROD U-SEALS

Part Number	A Nom. ID	B Nom. OD	C Nom. Ht	D GROOVE WIDTH	E ROD DIAMETER	G HOUSING DIAMETER	List Price
HMU21-2.50-24V	2-1/2	2-15/16	.24	.264 ⁺⁰¹⁵ / ₊₀₀₀	2.500 ⁻⁰⁰¹ / ₋₀₀₃	2.9375 ⁺⁰⁰³ / ₊₀₀₀	79.74
HMU21-3.00-24N	3	3-7/16	.24	.264 ⁺⁰¹⁵ / ₊₀₀₀	3.000 ⁻⁰⁰¹ / ₋₀₀₃	3.4375 ⁺⁰⁰³ / ₊₀₀₀	29.37
HMU21-3.00-24V	3	3-7/16	.24	.264 ⁺⁰¹⁵ / ₊₀₀₀	3.000 ⁻⁰⁰¹ / ₋₀₀₃	3.4375 ⁺⁰⁰³ / ₊₀₀₀	95.66
1/4" C/S							
HMU25-3.50-24N	3-1/2	4	.242	.264 ⁺⁰¹⁵ / ₊₀₀₀	3.500 ⁻⁰⁰¹ / ₋₀₀₄	4.000 ⁺⁰⁰³ / ₊₀₀₀	\$34.30
HMU25-3.50-27N	3-1/2	4	.27	.297 ⁺⁰¹⁵ / ₊₀₀₀	3.500 ⁻⁰⁰¹ / ₋₀₀₃	4.000 ⁺⁰⁰³ / ₊₀₀₀	37.27
HMU25-3.50-27V	3-1/2	4	.27	.300 ⁺⁰¹⁵ / ₊₀₀₀	3.500 ⁻⁰⁰¹ / ₋₀₀₄	4.000 ⁺⁰⁰³ / ₊₀₀₀	32.31
HMU25-4.00-24V	4	4-1/2	.24	.264 ⁺⁰¹⁵ / ₊₀₀₀	4.000 ⁻⁰⁰¹ / ₋₀₀₄	4.500 ⁺⁰⁰³ / ₊₀₀₀	40.19
HMU25-4.00-24N	4	4-1/2	.242	.264 ⁺⁰¹⁵ / ₊₀₀₀	4.000 ⁻⁰⁰¹ / ₋₀₀₄	4.500 ⁺⁰⁰³ / ₊₀₀₀	39.21
HMU25-4.50-24N	4-1/2	5	.242	.264 ⁺⁰¹⁵ / ₊₀₀₀	4.500 ⁻⁰⁰¹ / ₋₀₀₄	5.000 ⁺⁰⁰⁴ / ₊₀₀₀	44.13
9/32" C/S							
HMU28-5.00-27N	5	5-9/16	.278	.306 ⁺⁰¹⁵ / ₊₀₀₀	5.000 ⁻⁰⁰² / ₋₀₀₄	5.563 ⁺⁰⁰⁴ / ₊₀₀₀	\$49.05
5/16" C/S							
HMU31-5.50-31N	5-1/2	6-1/8	5/16	.344 ⁺⁰¹⁵ / ₊₀₀₀	5.500 ⁻⁰⁰² / ₋₀₀₄	6.120 ⁺⁰⁰⁴ / ₊₀₀₀	\$53.97

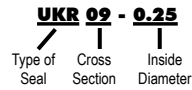
STYLE UKR ROD U-SEALS



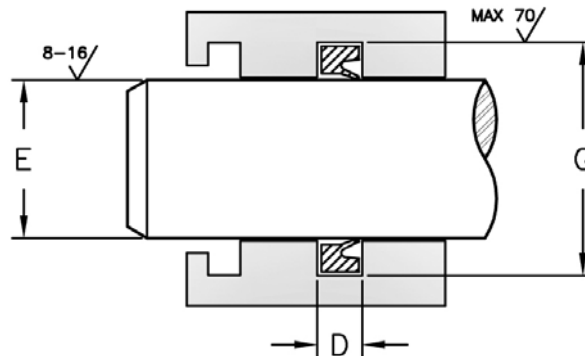
UKR u-seals are designed to act as a positive sealing, low friction replacement for conventional rubber u-seals. Molded from polyurethane, UKR u-seals provide long life and high resistance against extrusion. Low friction allows these seals to run smoothly in a lubricated or non-lubricated cylinder. Available for rod sealing, the flexible dynamic lip provides very low breakaway friction and steady motion.



HERCULES PART NUMBERS



SEAL INFORMATION	
MATERIAL	90A URETHANE
TEMPERATURE RANGE	-40° TO +200° F
PRESSURE RANGE	0 TO 150 PSI
SPEED	3 FT/SEC



ROD U-SEALS

Part Number	A Nom. ID	B Nom. OD	C Nom. Ht	D GROOVE WIDTH	E ROD DIAMETER	G HOUSING DIAMETER	List Price
3/32" C/S							
UKR09-0.25	1/4	7/16	3/32	.125 ^{+0.015} / _{+0.000}	.250 ^{+0.000} / _{-0.001}	.438 ^{+0.002} / _{+0.000}	\$6.20
UKR09-0.31	5/16	1/2	3/32	.125 ^{+0.015} / _{+0.000}	.312 ^{+0.000} / _{-0.001}	.500 ^{+0.002} / _{+0.000}	6.20
UKR09-0.50	1/2	11/16	3/32	.125 ^{+0.015} / _{+0.000}	.500 ^{+0.000} / _{-0.001}	.688 ^{+0.002} / _{+0.000}	6.20
1/8" C/S							
UKR12-0.37	3/8	5/8	1/8	.156 ^{+0.015} / _{+0.000}	.375 ^{+0.000} / _{-0.001}	.625 ^{+0.002} / _{+0.000}	\$8.43
UKR12-0.50	1/2	3/4	1/8	.156 ^{+0.015} / _{+0.000}	.500 ^{+0.000} / _{-0.001}	.750 ^{+0.002} / _{+0.000}	8.43
UKR12-0.62	5/8	7/8	1/8	.156 ^{+0.015} / _{+0.000}	.625 ^{+0.000} / _{-0.001}	.875 ^{+0.002} / _{+0.000}	8.61
UKR12-0.75	3/4	1	1/8	.156 ^{+0.015} / _{+0.000}	.750 ^{+0.000} / _{-0.001}	1.000 ^{+0.002} / _{+0.000}	9.86
UKR12-0.87	7/8	1-1/8	1/8	.156 ^{+0.015} / _{+0.000}	.875 ^{+0.000} / _{-0.001}	1.125 ^{+0.002} / _{+0.000}	10.83
UKR12-1.00	1	1-1/4	1/8	.156 ^{+0.015} / _{+0.000}	1.000 ^{+0.000} / _{-0.001}	1.250 ^{+0.002} / _{+0.000}	8.74
UKR12-1.12	1-1/8	1-3/8	1/8	.156 ^{+0.015} / _{+0.000}	1.125 ^{+0.000} / _{-0.001}	1.375 ^{+0.002} / _{+0.000}	8.80
5/32" C/S							
UKR15-1.00	1	1-5/16	5/32	.188 ^{+0.015} / _{+0.000}	1.000 ^{+0.000} / _{-0.001}	1.313 ^{+0.002} / _{+0.000}	\$19.28
UKR15-1.25	1-1/4	1-9/16	5/32	.188 ^{+0.015} / _{+0.000}	1.250 ^{+0.000} / _{-0.001}	1.563 ^{+0.002} / _{+0.000}	15.15



STYLE UKR ROD U-SEALS

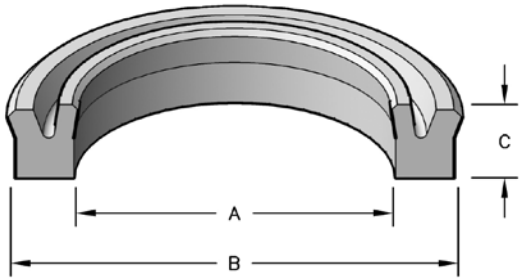
ROD U-SEALS

Part Number	A Nom. ID	B Nom. OD	C Nom. Ht	D GROOVE WIDTH	E ROD DIAMETER	G HOUSING DIAMETER	List Price
UKR15-1.37	1-3/8	1-11/16	5/32	.188 ⁺⁰¹⁵ / ₊₀₀₀	1.375 ⁺⁰⁰⁰ / _{-.001}	1.688 ⁺⁰⁰² / ₊₀₀₀	15.15
3/16" C/S							
UKR18-1.50	1-1/2	1-7/8	3/16	.218 ⁺⁰¹⁵ / ₊₀₀₀	1.500 ⁺⁰⁰⁰ / _{-.002}	1.875 ⁺⁰⁰² / ₊₀₀₀	\$ 15.93
UKR18-1.75	1-3/4	2-1/8	3/16	.218 ⁺⁰¹⁵ / ₊₀₀₀	1.750 ⁺⁰⁰⁰ / _{-.002}	2.125 ⁺⁰⁰² / ₊₀₀₀	16.09
UKR18-2.00	2	2-3/8	3/16	.218 ⁺⁰¹⁵ / ₊₀₀₀	2.000 ⁺⁰⁰⁰ / _{-.002}	2.375 ⁺⁰⁰² / ₊₀₀₀	16.35
UKR18-2.25	2-1/4	2-5/8	3/16	.218 ⁺⁰¹⁵ / ₊₀₀₀	2.250 ⁺⁰⁰⁰ / _{-.002}	2.625 ⁺⁰⁰² / ₊₀₀₀	17.32

STYLE DPU HEAVY DUTY PISTON U-SEALS



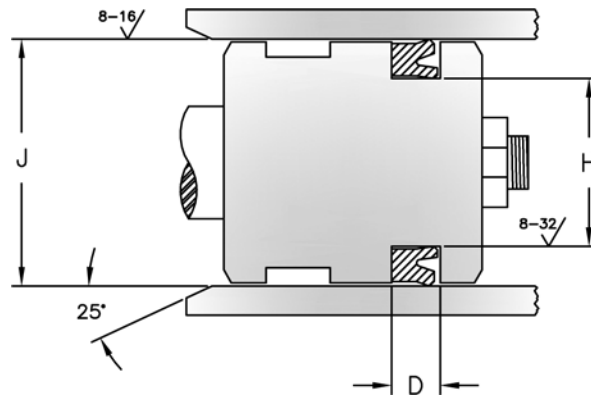
Specifically designed as piston seals, these u-seals are engineered to seal on their outside diameter. They offer extended service life and maximum reliability in piston sealing.



HERCULES PART NUMBERS

DPU 12 - 0.75 - 12
 Type of Seal Cross Section Inside Diameter Height

SEAL INFORMATION	
MATERIAL	92A URETHANE
TEMPERATURE RANGE	-65° TO +230° F
PRESSURE RANGE	0 TO 6,000 PSI
SPEED	3 FT/SEC



MAXIMUM EXTRUSION GAP				
PRESSURE	1000 psi	3000 psi	5000 psi	6000 psi
MAX DIAM. GAP	0.032"	0.015"	0.012"	0.009"

Part Number	A Nom. ID	B Nom. OD	C Nom. Ht	D GROOVE WIDTH	H GROOVE DIAMETER	J BORE DIAMETER	List Price
1/8" C/S							
DPU12-0.75-12	3/4	1	1/8	.156 ^{+0.015} / _{+0.000}	.750 ^{+0.000} / _{-.003}	1.000 ^{+0.005} / _{+0.000}	\$12.19
DPU12-0.75-25	3/4	1	1/4	.281 ^{+0.015} / _{+0.000}	.750 ^{+0.000} / _{-.003}	1.000 ^{+0.005} / _{+0.000}	13.31
DPU12-1.00-25	1	1-1/4	1/4	.281 ^{+0.015} / _{+0.000}	1.000 ^{+0.000} / _{-.003}	1.250 ^{+0.005} / _{+0.000}	14.41
3/16" C/S							
DPU18-0.75-25	3/4	1-1/8	1/4	.281 ^{+0.015} / _{+0.000}	.750 ^{+0.000} / _{-.003}	1.125 ^{+0.005} / _{+0.000}	\$18.32
DPU18-1.25-31	1-1/4	1-5/8	5/16	.343 ^{+0.015} / _{+0.000}	1.250 ^{+0.000} / _{-.003}	1.625 ^{+0.007} / _{+0.000}	23.33
DPU18-1.37-31	1-3/8	1-3/4	5/16	.343 ^{+0.015} / _{+0.000}	1.375 ^{+0.000} / _{-.003}	1.750 ^{+0.007} / _{+0.000}	19.35
DPU18-1.75-31	1-3/4	2-1/8	5/16	.343 ^{+0.015} / _{+0.000}	1.750 ^{+0.000} / _{-.003}	2.125 ^{+0.008} / _{+0.000}	22.78

STYLE DPU HEAVY DUTY PISTON U-SEALS

PISTON U-SEALS

Part Number	A Nom. ID	B Nom. OD	C Nom. Ht	D GROOVE WIDTH	H GROOVE DIAMETER	J BORE DIAMETER	List Price
DPU18-1.75-37	1-3/4	2-1/8	3/8	.406 ^{+0.015} / _{+0.000}	1.750 ^{+0.000} / _{-.003}	2.125 ^{+0.008} / _{+0.000}	16.39
DPU18-2.00-37	2	2-3/8	3/8	.406 ^{+0.015} / _{+0.000}	2.000 ^{+0.000} / _{-.003}	2.375 ^{+0.008} / _{+0.000}	20.30
DPU18-2.12-18	2-1/8	2-1/2	3/16	.217 ^{+0.015} / _{+0.000}	2.125 ^{+0.000} / _{-.003}	2.500 ^{+0.008} / _{+0.000}	29.75
DPU18-2.12-31	2-1/8	2-1/2	5/16	.343 ^{+0.015} / _{+0.000}	2.125 ^{+0.000} / _{-.003}	2.500 ^{+0.008} / _{+0.000}	29.75
DPU18-2.12-37	2-1/8	2-1/2	3/8	.406 ^{+0.015} / _{+0.000}	2.125 ^{+0.000} / _{-.003}	2.500 ^{+0.008} / _{+0.000}	29.75
DPU18-3.12-37	3-1/8	3-1/2	3/8	.406 ^{+0.015} / _{+0.000}	3.125 ^{+0.000} / _{-.004}	3.500 ^{+0.009} / _{+0.000}	34.46
7/32" C/S							
DPU21-0.25-37	1/4	11/16	3/8	.406 ^{+0.015} / _{+0.000}	.250 ^{+0.000} / _{-.003}	.688 ^{+0.005} / _{+0.000}	\$11.34
1/4" C/S							
DPU25-1.00-35	1	1-1/2	.357	.388 ^{+0.015} / _{+0.000}	1.000 ^{+0.000} / _{-.003}	1.500 ^{+0.007} / _{+0.000}	\$15.05
DPU25-1.00-37	1	1-1/2	3/8	.406 ^{+0.015} / _{+0.000}	1.000 ^{+0.000} / _{-.003}	1.500 ^{+0.007} / _{+0.000}	15.55
DPU25-1.12-31	1-1/8	1-5/8	5/16	.343 ^{+0.015} / _{+0.000}	1.125 ^{+0.000} / _{-.003}	1.625 ^{+0.007} / _{+0.000}	16.20
DPU25-1.25-37	1-1/4	1-3/4	3/8	.406 ^{+0.015} / _{+0.000}	1.250 ^{+0.000} / _{-.003}	1.750 ^{+0.007} / _{+0.000}	17.94
DPU25-1.50-31	1-1/2	2	5/16	.343 ^{+0.015} / _{+0.000}	1.500 ^{+0.000} / _{-.003}	2.000 ^{+0.008} / _{+0.000}	19.13
DPU25-1.50-37	1-1/2	2	3/8	.406 ^{+0.015} / _{+0.000}	1.500 ^{+0.000} / _{-.003}	2.000 ^{+0.008} / _{+0.000}	19.13
DPU25-1.75-37	1-3/4	2-1/4	3/8	.406 ^{+0.015} / _{+0.000}	1.750 ^{+0.000} / _{-.003}	2.250 ^{+0.008} / _{+0.000}	24.12
DPU25-2.00-37	2	2-1/2	3/8	.406 ^{+0.015} / _{+0.000}	2.000 ^{+0.000} / _{-.003}	2.500 ^{+0.008} / _{+0.000}	24.66
DPU25-2.06-25	2-1/16	2-9/16	1/4	.281 ^{+0.015} / _{+0.000}	2.062 ^{+0.000} / _{-.003}	2.563 ^{+0.008} / _{+0.000}	32.22
DPU25-2.06-34	2-1/16	2-9/16	11/32	.375 ^{+0.015} / _{+0.000}	2.062 ^{+0.000} / _{-.003}	2.563 ^{+0.008} / _{+0.000}	32.22
DPU25-2.25-31	2-1/4	2-3/4	5/16	.343 ^{+0.015} / _{+0.000}	2.250 ^{+0.000} / _{-.003}	2.750 ^{+0.008} / _{+0.000}	33.53
DPU25-2.25-37	2-1/4	2-3/4	3/8	.406 ^{+0.015} / _{+0.000}	2.250 ^{+0.000} / _{-.003}	2.750 ^{+0.008} / _{+0.000}	26.70
DPU25-2.50-37	2-1/2	3	3/8	.406 ^{+0.015} / _{+0.000}	2.500 ^{+0.000} / _{-.003}	3.000 ^{+0.008} / _{+0.000}	25.59
DPU25-2.75-37	2-3/4	3-1/4	3/8	.406 ^{+0.015} / _{+0.000}	2.750 ^{+0.000} / _{-.003}	3.250 ^{+0.009} / _{+0.000}	28.10
DPU25-3.00-37	3	3-1/2	3/8	.406 ^{+0.015} / _{+0.000}	3.000 ^{+0.000} / _{-.004}	3.500 ^{+0.009} / _{+0.000}	28.70
DPU25-3.12-37	3-1/8	3-5/8	3/8	.406 ^{+0.015} / _{+0.000}	3.125 ^{+0.000} / _{-.004}	3.625 ^{+0.009} / _{+0.000}	35.44
DPU25-3.25-37	3-1/4	3-3/4	3/8	.406 ^{+0.015} / _{+0.000}	3.250 ^{+0.000} / _{-.004}	3.750 ^{+0.009} / _{+0.000}	30.32
DPU25-3.50-37	3-1/2	4	3/8	.406 ^{+0.015} / _{+0.000}	3.500 ^{+0.000} / _{-.004}	4.000 ^{+0.009} / _{+0.000}	34.03
DPU25-3.62-37	3-5/8	4-1/8	3/8	.406 ^{+0.015} / _{+0.000}	3.625 ^{+0.000} / _{-.004}	4.125 ^{+0.009} / _{+0.000}	34.60
DPU25-3.75-37	3-3/4	4-1/4	3/8	.406 ^{+0.015} / _{+0.000}	3.750 ^{+0.000} / _{-.004}	4.250 ^{+0.009} / _{+0.000}	35.03
DPU25-4.00-37	4	4-1/2	3/8	.406 ^{+0.015} / _{+0.000}	4.000 ^{+0.000} / _{-.004}	4.500 ^{+0.009} / _{+0.000}	43.36
DPU25-4.00-56	4	4-1/2	9/16	.594 ^{+0.015} / _{+0.000}	4.000 ^{+0.000} / _{-.004}	4.500 ^{+0.009} / _{+0.000}	44.26
DPU25-4.50-37	4-1/2	5	3/8	.406 ^{+0.015} / _{+0.000}	4.500 ^{+0.000} / _{-.004}	5.000 ^{+0.010} / _{+0.000}	45.09
DPU25-4.50-43	4-1/2	5	7/16	.468 ^{+0.015} / _{+0.000}	4.500 ^{+0.000} / _{-.004}	5.000 ^{+0.010} / _{+0.000}	60.87

STYLE DPU HEAVY DUTY PISTON U-SEALS



PISTON U-SEALS

Part Number	A Nom. ID	B Nom. OD	C Nom. Ht	D GROOVE WIDTH	H GROOVE DIAMETER	J BORE DIAMETER	List Price
DPU25-4.50-56	4-1/2	5	9/16	.594 ⁺⁰¹⁵ / ₊₀₀₀	4.500 ⁺⁰⁰⁰ / _{-.004}	5.000 ⁺⁰¹⁰ / ₊₀₀₀	47.50
DPU25-5.00-37	5	5-1/2	3/8	.406 ⁺⁰¹⁵ / ₊₀₀₀	5.000 ⁺⁰⁰⁰ / _{-.004}	5.500 ⁺⁰¹⁰ / ₊₀₀₀	47.88
DPU25-5.00-56	5	5-1/2	9/16	.594 ⁺⁰¹⁵ / ₊₀₀₀	5.000 ⁺⁰⁰⁰ / _{-.004}	5.500 ⁺⁰¹⁰ / ₊₀₀₀	60.20
DPU25-5.50-25	5-1/2	6	1/4	.281 ⁺⁰¹⁵ / ₊₀₀₀	5.500 ⁺⁰⁰⁰ / _{-.004}	6.000 ⁺⁰¹⁰ / ₊₀₀₀	60.20
DPU25-5.50-37	5-1/2	6	3/8	.406 ⁺⁰¹⁵ / ₊₀₀₀	5.500 ⁺⁰⁰⁰ / _{-.004}	6.000 ⁺⁰¹⁰ / ₊₀₀₀	60.20
DPU25-5.50-50	5-1/2	6	1/2	.531 ⁺⁰¹⁵ / ₊₀₀₀	5.500 ⁺⁰⁰⁰ / _{-.004}	6.000 ⁺⁰¹⁰ / ₊₀₀₀	60.20
DPU25-5.50-56	5-1/2	6	9/16	.594 ⁺⁰¹⁵ / ₊₀₀₀	5.500 ⁺⁰⁰⁰ / _{-.004}	6.000 ⁺⁰¹⁰ / ₊₀₀₀	60.20
5/16" C/S							
DPU31-1.12-50	1-1/8	1-3/4	1/2	.531 ⁺⁰¹⁵ / ₊₀₀₀	1.125 ⁺⁰⁰⁰ / _{-.003}	1.750 ⁺⁰⁰⁷ / ₊₀₀₀	\$18.84
DPU31-1.25-47	1-1/4	1-7/8	.471	.500 ⁺⁰¹⁵ / ₊₀₀₀	1.250 ⁺⁰⁰⁰ / _{-.003}	1.875 ⁺⁰⁰⁷ / ₊₀₀₀	19.54
DPU31-1.37-37	1-3/8	2	3/8	.406 ⁺⁰¹⁵ / ₊₀₀₀	1.375 ⁺⁰⁰⁰ / _{-.003}	2.000 ⁺⁰⁰⁸ / ₊₀₀₀	29.42
DPU31-1.37-43	1-3/8	2	7/16	.468 ⁺⁰¹⁵ / ₊₀₀₀	1.375 ⁺⁰⁰⁰ / _{-.003}	2.000 ⁺⁰⁰⁸ / ₊₀₀₀	22.11
DPU31-1.37-44	1-3/8	2	7/16	.468 ⁺⁰¹⁵ / ₊₀₀₀	1.375 ⁺⁰⁰⁰ / _{-.003}	2.000 ⁺⁰⁰⁸ / ₊₀₀₀	31.22
DPU31-1.37-50	1-3/8	2	1/2	.531 ⁺⁰¹⁵ / ₊₀₀₀	1.375 ⁺⁰⁰⁰ / _{-.003}	2.000 ⁺⁰⁰⁸ / ₊₀₀₀	22.11
DPU31-1.62-50	1-5/8	2-1/4	1/2	.531 ⁺⁰¹⁵ / ₊₀₀₀	1.625 ⁺⁰⁰⁰ / _{-.003}	2.250 ⁺⁰⁰⁸ / ₊₀₀₀	22.78
DPU31-1.87-37	1-7/8	2-1/2	3/8	.406 ⁺⁰¹⁵ / ₊₀₀₀	1.875 ⁺⁰⁰⁰ / _{-.003}	2.500 ⁺⁰⁰⁸ / ₊₀₀₀	23.49
DPU31-1.87-50	1-7/8	2-1/2	1/2	.531 ⁺⁰¹⁵ / ₊₀₀₀	1.875 ⁺⁰⁰⁰ / _{-.003}	2.500 ⁺⁰⁰⁸ / ₊₀₀₀	36.73
DPU31-2.37-37	2-3/8	3	3/8	.406 ⁺⁰¹⁵ / ₊₀₀₀	2.375 ⁺⁰⁰⁰ / _{-.003}	3.000 ⁺⁰⁰⁸ / ₊₀₀₀	29.10
DPU31-2.37-50	2-3/8	3	1/2	.531 ⁺⁰¹⁵ / ₊₀₀₀	2.375 ⁺⁰⁰⁰ / _{-.003}	3.000 ⁺⁰⁰⁸ / ₊₀₀₀	35.59
DPU31-2.87-50	2-7/8	3-1/2	1/2	.531 ⁺⁰¹⁵ / ₊₀₀₀	2.875 ⁺⁰⁰⁰ / _{-.003}	3.500 ⁺⁰⁰⁹ / ₊₀₀₀	36.10
DPU31-3.37-37	3-3/8	4	3/8	.406 ⁺⁰¹⁵ / ₊₀₀₀	3.375 ⁺⁰⁰⁰ / _{-.004}	4.000 ⁺⁰⁰⁹ / ₊₀₀₀	36.71
DPU31-3.37-50	3-3/8	4	1/2	.531 ⁺⁰¹⁵ / ₊₀₀₀	3.375 ⁺⁰⁰⁰ / _{-.004}	4.000 ⁺⁰⁰⁹ / ₊₀₀₀	36.71
DPU31-3.62-37	3-5/8	4-1/4	3/8	.406 ⁺⁰¹⁵ / ₊₀₀₀	3.625 ⁺⁰⁰⁰ / _{-.004}	4.250 ⁺⁰⁰⁹ / ₊₀₀₀	38.45
DPU31-3.62-50	3-5/8	4-1/4	1/2	.531 ⁺⁰¹⁵ / ₊₀₀₀	3.625 ⁺⁰⁰⁰ / _{-.004}	4.250 ⁺⁰⁰⁹ / ₊₀₀₀	38.45
DPU31-3.87-50	3-7/8	4-1/2	1/2	.531 ⁺⁰¹⁵ / ₊₀₀₀	3.875 ⁺⁰⁰⁰ / _{-.004}	4.500 ⁺⁰⁰⁹ / ₊₀₀₀	43.36
DPU31-5.37-50	5-3/8	6	1/2	.531 ⁺⁰¹⁵ / ₊₀₀₀	5.375 ⁺⁰⁰⁰ / _{-.004}	6.000 ⁺⁰¹⁰ / ₊₀₀₀	70.44
.32" C/S							
DPU32-1.62-39	1-5/8	2.266	.39	.421 ⁺⁰¹⁵ / ₊₀₀₀	1.625 ⁺⁰⁰⁰ / _{-.003}	2.266 ⁺⁰⁰⁸ / ₊₀₀₀	\$25.15
3/8" C/S							
DPU37-1.75-62	1-3/4	2-1/2	5/8	.626 ⁺⁰⁴⁵ / ₊₀₃₀	1.750 ⁺⁰⁰⁰ / _{-.003}	2.500 ⁺⁰⁰⁸ / ₊₀₀₀	\$28.48
DPU37-2.25-62	2-1/4	3	5/8	.656 ⁺⁰¹⁵ / ₊₀₀₀	2.250 ⁺⁰⁰⁰ / _{-.003}	3.000 ⁺⁰⁰⁸ / ₊₀₀₀	31.31
DPU37-2.50-62	2-1/2	3-1/4	5/8	.656 ⁺⁰¹⁵ / ₊₀₀₀	2.500 ⁺⁰⁰⁰ / _{-.003}	3.250 ⁺⁰⁰⁹ / ₊₀₀₀	59.51
DPU37-2.75-37	2-3/4	3-1/2	3/8	.406 ⁺⁰¹⁵ / ₊₀₀₀	2.750 ⁺⁰⁰⁰ / _{-.003}	3.500 ⁺⁰⁰⁹ / ₊₀₀₀	33.26
DPU37-2.75-62	2-3/4	3-1/2	5/8	.656 ⁺⁰¹⁵ / ₊₀₀₀	2.750 ⁺⁰⁰⁰ / _{-.003}	3.500 ⁺⁰⁰⁹ / ₊₀₀₀	40.31

STYLE DPU HEAVY DUTY PISTON U-SEALS

PISTON U-SEALS

Part Number	A Nom. ID	B Nom. OD	C Nom. Ht	D GROOVE WIDTH	H GROOVE DIAMETER	J BORE DIAMETER	List Price
DPU37-3.00-37	3	3-3/4	3/8	.406 +.015 +.000	3.000 +.000 -.004	3.750 +.009 +.000	39.77
DPU37-3.00-47-AN	3	3-3/4	.469	.500 +.015 +.000	3.000 +.000 -.004	3.750 +.009 +.000	39.77
DPU37-3.00-50	3	3-3/4	1/2	.531 +.015 +.000	3.000 +.000 -.004	3.750 +.009 +.000	34.16
DPU37-3.25-37	3-1/4	4	3/8	.406 +.015 +.000	3.250 +.000 -.004	4.000 +.009 +.000	35.09
DPU37-3.25-50	3-1/4	4	1/2	.531 +.015 +.000	3.250 +.000 -.004	4.000 +.009 +.000	36.28
DPU37-3.25-62	3-1/4	4	5/8	.656 +.015 +.000	3.250 +.000 -.004	4.000 +.009 +.000	36.28
DPU37-3.50-37	3-1/2	4-1/4	3/8	.406 +.015 +.000	3.500 +.000 -.004	4.250 +.009 +.000	36.91
DPU37-3.75-37	3-3/4	4-1/2	3/8	.406 +.015 +.000	3.750 +.000 -.004	4.500 +.009 +.000	44.10
DPU37-3.75-50	3-3/4	4-1/2	1/2	.531 +.015 +.000	3.750 +.000 -.004	4.500 +.009 +.000	44.10
DPU37-3.75-62	3-3/4	4-1/2	5/8	.656 +.015 +.000	3.750 +.000 -.004	4.500 +.009 +.000	44.10
DPU37-4.25-37	4-1/4	5	3/8	.406 +.015 +.000	4.250 +.000 -.004	5.000 +.010 +.000	44.30
DPU37-4.25-50	4-1/4	5	1/2	.531 +.015 +.000	4.250 +.000 -.004	5.000 +.010 +.000	44.30
DPU37-4.25-62	4-1/4	5	5/8	.656 +.015 +.000	4.250 +.000 -.004	5.000 +.010 +.000	45.87
DPU37-4.37-50	4-3/8	5-1/8	1/2	.531 +.015 +.000	4.375 +.000 -.004	5.125 +.010 +.000	46.25
DPU37-4.50-37	4-1/2	5-1/4	3/8	.406 +.015 +.000	4.500 +.000 -.004	5.250 +.010 +.000	47.88
DPU37-4.50-50	4-1/2	5-1/4	1/2	.531 +.015 +.000	4.500 +.000 -.004	5.250 +.010 +.000	50.11
DPU37-4.50-62	4-1/2	5-1/4	5/8	.656 +.015 +.000	4.500 +.000 -.004	5.250 +.010 +.000	53.89
DPU37-4.75-50	4-3/4	5-1/2	1/2	.531 +.015 +.000	4.750 +.000 -.004	5.500 +.010 +.000	56.28
DPU37-4.75-62	4-3/4	5-1/2	5/8	.656 +.015 +.000	4.750 +.000 -.004	5.500 +.010 +.000	56.28
DPU37-5.00-50	5	5-3/4	1/2	.531 +.015 +.000	5.000 +.000 -.004	5.750 +.010 +.000	58.45
DPU37-5.25-37	5-1/4	6	3/8	.406 +.015 +.000	5.250 +.000 -.004	6.000 +.010 +.000	70.44
DPU37-5.25-50	5-1/4	6	1/2	.531 +.015 +.000	5.250 +.000 -.004	6.000 +.010 +.000	70.44
DPU37-5.25-62	5-1/4	6	5/8	.656 +.015 +.000	5.250 +.000 -.004	6.000 +.010 +.000	70.44
DPU37-5.50-37	5-1/2	6-1/4	3/8	.406 +.015 +.000	5.500 +.000 -.004	6.250 +.010 +.000	71.06
DPU37-5.75-37	5-3/4	6-1/2	3/8	.406 +.015 +.000	5.750 +.000 -.004	6.500 +.010 +.000	71.56
DPU37-5.75-62	5-3/4	6-1/2	5/8	.656 +.015 +.000	5.750 +.000 -.004	6.500 +.010 +.000	71.56
DPU37-6.00-50	6	6-3/4	1/2	.531 +.015 +.000	6.000 +.000 -.004	6.750 +.010 +.000	86.78
DPU37-6.25-37	6-1/4	7	3/8	.406 +.015 +.000	6.250 +.000 -.004	7.000 +.011 +.000	88.46
DPU37-6.25-50	6-1/4	7	1/2	.531 +.015 +.000	6.250 +.000 -.004	7.000 +.011 +.000	101.99
DPU37-6.25-62	6-1/4	7	5/8	.656 +.015 +.000	6.250 +.000 -.004	7.000 +.011 +.000	105.32
DPU37-6.50-62	6-1/2	7-1/4	5/8	.656 +.015 +.000	6.500 +.000 -.004	7.250 +.011 +.000	107.43
DPU37-6.75-50	6-3/4	7-1/2	1/2	.531 +.015 +.000	6.750 +.000 -.004	7.500 +.011 +.000	112.05
DPU37-7.25-37	7-1/4	8	3/8	.406 +.015 +.000	7.250 +.000 -.005	8.000 +.011 +.000	120.96

STYLE DPU HEAVY DUTY PISTON U-SEALS



PISTON U-SEALS

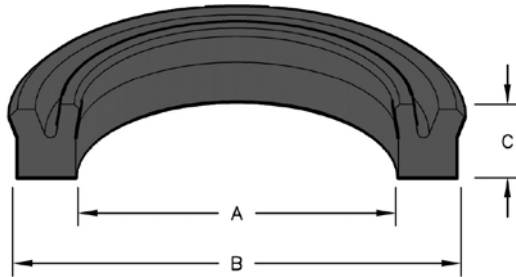
Part Number	A Nom. ID	B Nom. OD	C Nom. Ht	D GROOVE WIDTH	H GROOVE DIAMETER	J BORE DIAMETER	List Price
DPU37-7.25-50	7-1/4	8	1/2	.531 ^{+0.015} / _{+0.000}	7.250 ^{+0.000} / _{-.005}	8.000 ^{+0.011} / _{+0.000}	120.96
DPU37-7.25-62	7-1/4	8	5/8	.656 ^{+0.015} / _{+0.000}	7.250 ^{+0.000} / _{-.005}	8.000 ^{+0.011} / _{+0.000}	120.96
.383" C/S							
DPU38-2.00-48	2	2.766	.486	.517 ^{+0.015} / _{+0.000}	2.000 ^{+0.000} / _{-.003}	2.766 ^{+0.008} / _{+0.000}	\$34.90
DPU38-2.50-48	2-1/2	3.266	.486	.517 ^{+0.015} / _{+0.000}	2.500 ^{+0.000} / _{-.003}	3.266 ^{+0.009} / _{+0.000}	39.61
1/2" C/S							
DPU50-4.12-59	4-1/8	5-1/8	19/32	.649 ^{+0.015} / _{+0.000}	4.125 ^{+0.000} / _{-.004}	5.125 ^{+0.010} / _{+0.000}	\$55.30
DPU50-5.00-50	5	6	1/2	.531 ^{+0.015} / _{+0.000}	5.000 ^{+0.000} / _{-.004}	6.000 ^{+0.010} / _{+0.000}	83.68
DPU50-5.25-62	5-1/4	6-1/4	5/8	.656 ^{+0.015} / _{+0.000}	5.250 ^{+0.000} / _{-.004}	6.250 ^{+0.010} / _{+0.000}	75.85
DPU50-5.50-62	5-1/2	6-1/2	5/8	.656 ^{+0.015} / _{+0.000}	5.500 ^{+0.000} / _{-.004}	6.500 ^{+0.010} / _{+0.000}	77.26
DPU50-6.00-75	6	7	3/4	.781 ^{+0.015} / _{+0.000}	6.000 ^{+0.000} / _{-.004}	7.000 ^{+0.011} / _{+0.000}	90.44
DPU50-6.50-62	6-1/2	7-1/2	5/8	.656 ^{+0.015} / _{+0.000}	6.500 ^{+0.000} / _{-.004}	7.500 ^{+0.011} / _{+0.000}	112.93
DPU50-6.50-75	6-1/2	7-1/2	3/4	.781 ^{+0.015} / _{+0.000}	6.500 ^{+0.000} / _{-.004}	7.500 ^{+0.011} / _{+0.000}	112.93
DPU50-7.00-50	7	8	1/2	.531 ^{+0.015} / _{+0.000}	7.000 ^{+0.000} / _{-.005}	8.000 ^{+0.011} / _{+0.000}	141.75
DPU50-7.00-75	7	8	3/4	.781 ^{+0.015} / _{+0.000}	7.000 ^{+0.000} / _{-.005}	8.000 ^{+0.011} / _{+0.000}	120.96
DPU50-7.50-62	7-1/2	8-1/2	5/8	.656 ^{+0.015} / _{+0.000}	7.500 ^{+0.000} / _{-.005}	8.500 ^{+0.011} / _{+0.000}	126.41
DPU50-7.50-75	7-1/2	8-1/2	3/4	.781 ^{+0.015} / _{+0.000}	7.500 ^{+0.000} / _{-.005}	8.500 ^{+0.011} / _{+0.000}	132.13
DPU50-8.00-75	8	9	3/4	.781 ^{+0.015} / _{+0.000}	8.000 ^{+0.000} / _{-.005}	9.000 ^{+0.012} / _{+0.000}	137.67
DPU50-9.00-62	9	10	5/8	.656 ^{+0.015} / _{+0.000}	9.000 ^{+0.000} / _{-.005}	10.000 ^{+0.012} / _{+0.000}	175.33
DPU50-9.00-75	9	10	3/4	.781 ^{+0.015} / _{+0.000}	9.000 ^{+0.000} / _{-.005}	10.000 ^{+0.012} / _{+0.000}	181.44
DPU50-10.00-62	10	11	5/8	.656 ^{+0.015} / _{+0.000}	10.000 ^{+0.000} / _{-.006}	11.000 ^{+0.012} / _{+0.000}	313.01
DPU50-10.00-75	10	11	3/4	.781 ^{+0.015} / _{+0.000}	10.000 ^{+0.000} / _{-.006}	11.000 ^{+0.012} / _{+0.000}	201.22
DPU50-11.00-62	11	12	5/8	.656 ^{+0.015} / _{+0.000}	11.000 ^{+0.000} / _{-.006}	12.000 ^{+0.012} / _{+0.000}	222.57
DPU50-11.00-75	11	12	3/4	.781 ^{+0.015} / _{+0.000}	11.000 ^{+0.000} / _{-.006}	12.000 ^{+0.012} / _{+0.000}	301.29
5/8" C/S							
DPU62-3.50-56	3-1/2	4-3/4	9/16	.594 ^{+0.015} / _{+0.000}	3.500 ^{+0.000} / _{-.004}	4.750 ^{+0.009} / _{+0.000}	\$90.40
DPU62-9.25-75	9-1/4	10-1/2	3/4	.781 ^{+0.015} / _{+0.000}	9.250 ^{+0.000} / _{-.005}	10.500 ^{+0.012} / _{+0.000}	191.72

Seal color may vary. Special order sizes are available. Sizes not shown and out of stock items can also be ordered for next day delivery through Seals On Demand, our custom seal program. Please call your regional sales team for assistance.



STYLE DPU-BHT HEAVY DUTY PISTON U-SEALS

Style DPU-BHT piston seals are molded in Freudenberg® AU 30000 urethane. Specifically designed as piston seals, these u-seals are engineered to seal on their outside diameter. They offer extended service life and maximum reliability in piston sealing. This high tear-resistant urethane demonstrates stability throughout a wide range of temperatures. In addition, this material is well suited to mineral and biodegradable hydraulic fluids as well as being resistant to hydrolysis.

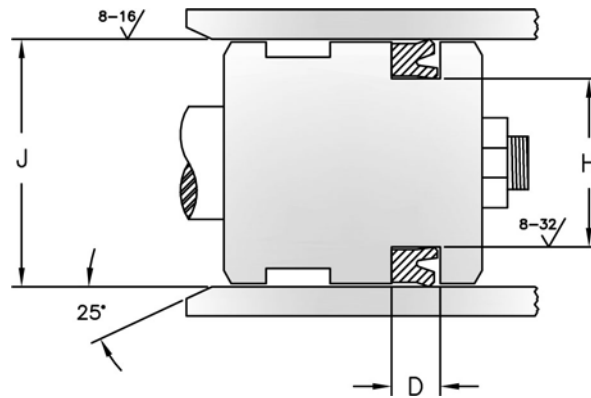


HERCULES PART NUMBERS

DPU 18 - 2.12 - 18 BHT

Type of Seal Cross Section Inside Diameter Height

SEAL INFORMATION	
MATERIAL	94A URETHANE
TEMPERATURE RANGE	-31°F TO 250°F
PRESSURE RANGE	0 TO 7250 PSI
SPEED	1.5 FT/SEC



PISTON U-SEALS

Part Number	A Nom. ID	B Nom. OD	C Nom. Ht	D GROOVE WIDTH	H GROOVE DIAMETER	J BORE DIAMETER	List Price
3/16" C/S							
DPU18-2.12-18-BHT	2-1/8	2-1/2	3/16	.217 ^{+0.015} / _{+0.000}	2.125 ^{+0.000} / _{-.003}	2.500 ^{+0.008} / _{+0.000}	\$33.10
DPU18-2.12-31-BHT	2-1/8	2-1/2	5/16	.343 ^{+0.015} / _{+0.000}	2.125 ^{+0.000} / _{-.003}	2.500 ^{+0.008} / _{+0.000}	33.10
DPU18-2.12-37-BHT	2-1/8	2-1/2	3/8	.406 ^{+0.015} / _{+0.000}	2.125 ^{+0.000} / _{-.003}	2.500 ^{+0.008} / _{+0.000}	33.10
1/4" C/S							
DPU25-1.50-37-BHT	1-1/2	2	3/8	.406 ^{+0.015} / _{+0.000}	1.500 ^{+0.000} / _{-.003}	2.000 ^{+0.008} / _{+0.000}	\$24.73
DPU25-2.00-37-BHT	2	2-1/2	3/8	.406 ^{+0.015} / _{+0.000}	2.000 ^{+0.000} / _{-.003}	2.500 ^{+0.008} / _{+0.000}	33.10
DPU25-2.50-37-BHT	2-1/2	3	3/8	.406 ^{+0.015} / _{+0.000}	2.500 ^{+0.000} / _{-.003}	3.000 ^{+0.008} / _{+0.000}	36.78
DPU25-3.00-37-BHT	3	3-1/2	3/8	.406 ^{+0.015} / _{+0.000}	3.000 ^{+0.000} / _{-.004}	3.500 ^{+0.009} / _{+0.000}	40.66
DPU25-3.50-37-BHT	3-1/2	4	3/8	.406 ^{+0.015} / _{+0.000}	3.500 ^{+0.000} / _{-.004}	4.000 ^{+0.009} / _{+0.000}	48.11
DPU25-4.00-37-BHT	4	4-1/2	3/8	.406 ^{+0.015} / _{+0.000}	4.000 ^{+0.000} / _{-.004}	4.500 ^{+0.009} / _{+0.000}	60.06
DPU25-4.50-37-BHT	4-1/2	5	3/8	.406 ^{+0.015} / _{+0.000}	4.500 ^{+0.000} / _{-.004}	5.000 ^{+0.010} / _{+0.000}	68.29
3/8" C/S							

STYLE DPU-BHT HEAVY DUTY PISTON U-SEALS

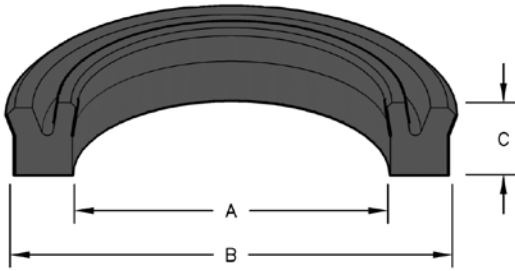


Part Number	A Nom. ID	B Nom. OD	C Nom. Ht	D GROOVE WIDTH	H GROOVE DIAMETER	J BORE DIAMETER	List Price
DPU37-3.25-37-BHT	3-1/4	4	3/8	.406 ⁺⁰¹⁵ / ₊₀₀₀	3.250 ⁺⁰⁰⁰ / _{-.004}	4.000 ⁺⁰⁰⁹ / ₊₀₀₀	\$48.11
DPU37-3.75-62-BHT	3-3/4	4-1/2	5/8	.656 ⁺⁰¹⁵ / ₊₀₀₀	3.750 ⁺⁰⁰⁰ / _{-.004}	4.500 ⁺⁰⁰⁹ / ₊₀₀₀	60.06
DPU37-4.25-37-BHT	4-1/4	5	3/8	.406 ⁺⁰¹⁵ / ₊₀₀₀	4.250 ⁺⁰⁰⁰ / _{-.004}	5.000 ⁺⁰¹⁰ / ₊₀₀₀	68.29
DPU37-4.25-50-BHT	4-1/4	5	1/2	.531 ⁺⁰¹⁵ / ₊₀₀₀	4.250 ⁺⁰⁰⁰ / _{-.004}	5.000 ⁺⁰¹⁰ / ₊₀₀₀	68.29
DPU37-5.25-37-BHT	5-1/4	6	3/8	.406 ⁺⁰¹⁵ / ₊₀₀₀	5.250 ⁺⁰⁰⁰ / _{-.004}	6.000 ⁺⁰¹⁰ / ₊₀₀₀	89.54
DPU37-5.25-50-BHT	5-1/4	6	1/2	.531 ⁺⁰¹⁵ / ₊₀₀₀	5.250 ⁺⁰⁰⁰ / _{-.004}	6.000 ⁺⁰¹⁰ / ₊₀₀₀	89.54

PISTON U-SEALS

STYLE PU URETHANE PISTON U-SEALS

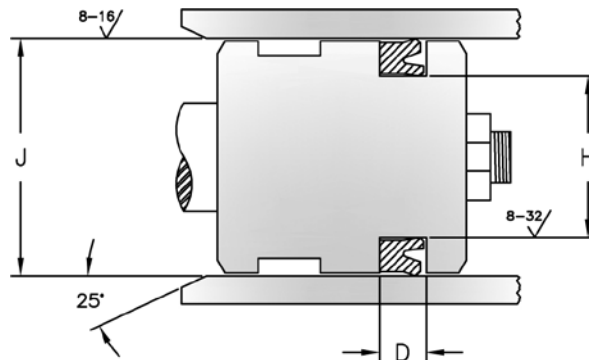
Style PU seals are molded from high quality urethane and designed specifically for piston applications.



HERCULES PART NUMBERS

PU 12 - 1.25 - 25
 Type of Seal Cross Section Inside Diameter Height

SEAL INFORMATION	
MATERIAL	90A URETHANE
TEMPERATURE RANGE	-40° TO +225° F
PRESSURE RANGE	0 TO 5,000 PSI
SPEED	3 FT/SEC



Part Number	A Nom. ID	B Nom. OD	C Nom. Ht	D GROOVE WIDTH	H GROOVE DIAMETER	J BORE DIAMETER	List Price
1/8" C/S							
PU12-1.25-25	1-1/4	1-1/2	1/4	.275 ^{+0.010} / _{+0.000}	1.250 ^{+0.000} / _{-0.002}	1.500 ^{+0.002} / _{+0.000}	\$9.34
3/16" C/S							
PU18-0.75-31	3/4	1-1/8	5/16	.344 ^{+0.010} / _{+0.000}	.750 ^{+0.000} / _{-0.002}	1.125 ^{+0.002} / _{+0.000}	\$10.32
PU18-1.62-31	1-5/8	2	5/16	.344 ^{+0.010} / _{+0.000}	1.625 ^{+0.000} / _{-0.002}	2.000 ^{+0.002} / _{+0.000}	14.56
PU18-2.12-25	2-1/8	2-1/2	1/4	.275 ^{+0.010} / _{+0.000}	2.125 ^{+0.000} / _{-0.002}	2.500 ^{+0.002} / _{+0.000}	17.72
PU18-2.12-37	2-1/8	2-1/2	3/8	.413 ^{+0.010} / _{+0.000}	2.125 ^{+0.000} / _{-0.002}	2.500 ^{+0.002} / _{+0.000}	17.53
PU18-2.62-37	2-5/8	3	3/8	.413 ^{+0.010} / _{+0.000}	2.625 ^{+0.000} / _{-0.002}	3.000 ^{+0.002} / _{+0.000}	17.68
1/4" C/S							
PU25-1.18-31	1-3/16	1-11/16	5/16	.344 ^{+0.010} / _{+0.000}	1.1875 ±.0031	1.6875 ^{+0.0024} / _{+0.0000}	\$15.04
PU25-2.00-25	2	2-1/2	1/4	.275 ^{+0.010} / _{+0.000}	2.000 ^{+0.000} / _{-0.003}	2.500 ^{+0.003} / _{+0.000}	17.29
PU25-3.00-37	3	3-1/2	3/8	.413 ^{+0.010} / _{+0.000}	3.000 ^{+0.000} / _{-0.003}	3.500 ^{+0.003} / _{+0.000}	28.62
PU25-3.50-37	3-1/2	4	3/8	.413 ^{+0.010} / _{+0.000}	3.500 ^{+0.000} / _{-0.003}	4.000 ^{+0.003} / _{+0.000}	30.13
PU25-4.50-37	4-1/2	5	3/8	.413 ^{+0.010} / _{+0.000}	4.500 ^{+0.000} / _{-0.003}	5.000 ^{+0.003} / _{+0.000}	32.01
.295" C/S							
PU29-1.61-38	1.614	2.205	.38	.425 ^{+0.016} / _{+0.000}	1.614 ^{+0.000} / _{-0.002}	2.205 ^{+0.002} / _{+0.000}	\$47.70

STYLE PU URETHANE PISTON U-SEALS



Part Number	A Nom. ID	B Nom. OD	C Nom. Ht	D GROOVE WIDTH	H GROOVE DIAMETER	J BORE DIAMETER	List Price
3/8" C/S							
PU37-5.25-50	5-1/4	6	1/2	.550 ⁺⁰¹⁰ / ₊₀₀₀	5.250 ⁺⁰⁰⁰ / ₋₀₀₅	6.000 ⁺⁰⁰⁴ / ₊₀₀₀	\$39.99
1/2" C/S							
PU50-2.00-50	2	3	1/2	.550 ⁺⁰¹⁰ / ₊₀₀₀	2.000 ⁺⁰⁰⁰ / ₋₀₀₇	3.000 ⁺⁰⁰⁵ / ₊₀₀₀	\$50.03
PU50-2.25-50	2-1/4	3-1/4	1/2	.550 ⁺⁰¹⁰ / ₊₀₀₀	2.250 ⁺⁰⁰⁰ / ₋₀₀₇	3.250 ⁺⁰⁰⁵ / ₊₀₀₀	60.87
PU50-3.00-50	3	4	1/2	.550 ⁺⁰¹⁰ / ₊₀₀₀	3.000 ⁺⁰⁰⁰ / ₋₀₀₇	4.000 ⁺⁰⁰⁵ / ₊₀₀₀	69.01

PISTON U-SEALS



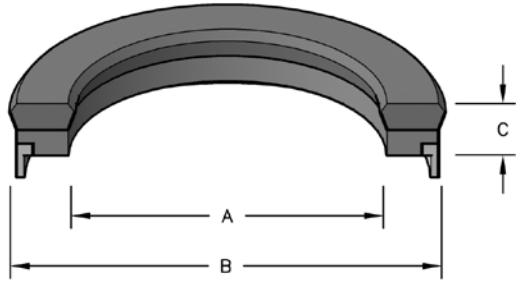
STYLE UFN PISTON SEALS

Constructed of a rubber seal lip with a rubberized fabric heel, these seals feature a polyacetal bearing ring or a poly-acetal anti-extrusion ring. These seals offer excellent sealing ability and high pressure capability. They are commonly used with the SR retention rings.

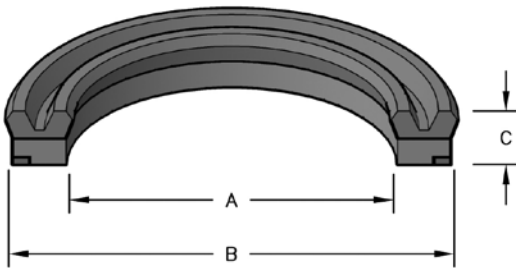
PISTON U-SEALS

HERCULES PART NUMBERS

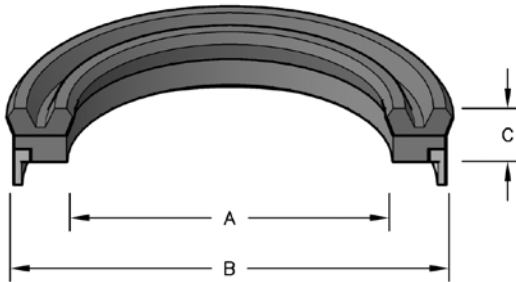
UFN 25 - 1.00 - 37 UWO
 Type of Seal | Cross Section | Inside Diameter | Height



UFN-PWO

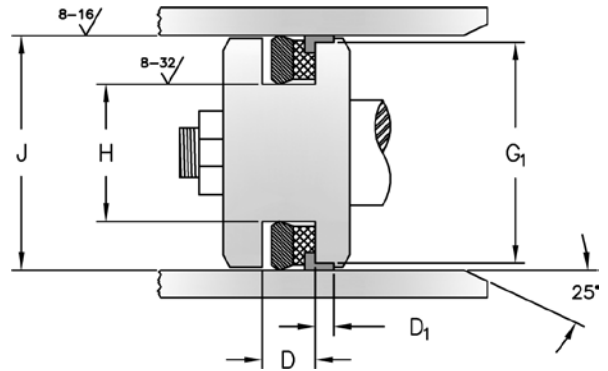


UFN-UEO



UFN-UWO

SEAL INFORMATION	
MATERIAL	RUBBER, FABRIC, ACETAL
TEMPERATURE RANGE	-22° TO +212° F
PRESSURE RANGE	0 TO 5,800 PSI
SPEED	1.5 FT/SEC



Part Number	A Nom. ID	B Nom. OD	C Nom. Ht	D GROOVE WIDTH	D ₁ BEARING GROOVE WIDTH	G ₁ BEARING GROOVE DIAMETER	H GROOVE DIAMETER	J BORE DIAMETER	List Price
1/4" C/S									
UFN25-1.00-37UWO	1	1-1/2	3/8	.390 ⁺⁰¹⁰ / ₊₀₀₀	.250 ⁺⁰⁰⁴ / ₊₀₀₀	1.360 ±.002	1.000 ±.003	1.500 ⁺⁰⁰⁴ / ₊₀₀₀	\$14.21
UFN25-2.00-31PWO	2	2-1/2	5/16	.327 ⁺⁰¹⁰ / ₊₀₀₀	.250 ⁺⁰⁰⁴ / ₊₀₀₀	2.360 ±.002	2.000 ±.004	2.500 ⁺⁰⁰⁵ / ₊₀₀₀	25.07
5/16" C/S									
UFN31-1.12-43PWO	1-1/8	1-3/4	7/16	.452 ⁺⁰¹⁰ / ₊₀₀₀	.250 ⁺⁰⁰⁴ / ₊₀₀₀	1.570 ±.002	1.125 ±.003	1.750 ⁺⁰⁰⁴ / ₊₀₀₀	\$15.76
UFN31-1.37-37PWO	1-3/8	2	3/8	.390 ⁺⁰¹⁰ / ₊₀₀₀	.250 ⁺⁰⁰⁴ / ₊₀₀₀	1.820 ±.002	1.375 ±.003	2.000 ⁺⁰⁰⁵ / ₊₀₀₀	17.63
UFN31-1.37-37UWO	1-3/8	2	3/8	.390 ⁺⁰¹⁰ / ₊₀₀₀	.250 ⁺⁰⁰⁴ / ₊₀₀₀	1.820 ±.002	1.375 ±.003	2.000 ⁺⁰⁰⁵ / ₊₀₀₀	17.02
UFN31-1.37-43PWO	1-3/8	2	7/16	.452 ⁺⁰¹⁰ / ₊₀₀₀	.250 ⁺⁰⁰⁴ / ₊₀₀₀	1.820 ±.002	1.375 ±.003	2.000 ⁺⁰⁰⁵ / ₊₀₀₀	17.63
UFN31-1.75-43UEO	1-3/4	2-3/8	7/16	.452 ⁺⁰¹⁰ / ₊₀₀₀	N/A	N/A	1.750 ±.003	2.375 ⁺⁰⁰⁵ / ₊₀₀₀	20.62
UFN31-1.75-43UWO	1-3/4	2-3/8	7/16	.452 ⁺⁰¹⁰ / ₊₀₀₀	.250 ⁺⁰⁰⁴ / ₊₀₀₀	2.194 ±.002	1.750 ±.003	2.375 ⁺⁰⁰⁵ / ₊₀₀₀	20.62
UFN31-1.87-37UWO	1-7/8	2-1/2	3/8	.390 ⁺⁰¹⁰ / ₊₀₀₀	.250 ⁺⁰⁰⁴ / ₊₀₀₀	2.320 ±.002	1.875 ±.003	2.500 ⁺⁰⁰⁵ / ₊₀₀₀	19.20

STYLE UFN PISTON SEALS



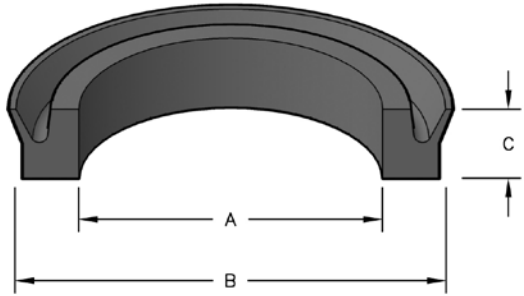
Part Number	A Nom. ID	B Nom. OD	C Nom. Ht	D GROOVE WIDTH	D ₁ BEARING GROOVE WIDTH	G ₁ BEARING GROOVE DIAMETER	H GROOVE DIAMETER	J BORE DIAMETER	List Price
UFN31-1.87-43PWO	1-7/8	2-1/2	7/16	.452 ⁺⁰¹⁰ / ₊₀₀₀	.250 ⁺⁰⁰⁴ / ₊₀₀₀	2.319 ±.002	1.875 ±.003	2.500 ⁺⁰⁰⁵ / ₊₀₀₀	25.07
UFN31-2.00-43UWO	2	2-5/8	7/16	.452 ⁺⁰¹⁰ / ₊₀₀₀	.250 ⁺⁰⁰⁴ / ₊₀₀₀	2.443 ±.002	2.000 ±.004	2.625 ⁺⁰⁰⁵ / ₊₀₀₀	18.13
UFN31-2.12-46UWO	2-1/8	2-3/4	15/32	.483 ⁺⁰¹⁰ / ₊₀₀₀	.250 ⁺⁰⁰⁴ / ₊₀₀₀	2.569 ±.002	2.125 ±.004	2.750 ⁺⁰⁰⁵ / ₊₀₀₀	21.68
3/8" C/S									
UFN37-2.00-56UWO	2	2-3/4	9/16	.577 ⁺⁰¹⁰ / ₊₀₀₀	.250 ⁺⁰⁰⁴ / ₊₀₀₀	2.522 ±.002	2.000 ±.004	2.750 ⁺⁰⁰⁵ / ₊₀₀₀	\$27.88
UFN37-2.25-50UEO	2-1/4	3	1/2	.515 ⁺⁰¹⁰ / ₊₀₀₀	N/A	N/A	2.250 ±.004	3.000 ⁺⁰⁰⁵ / ₊₀₀₀	24.90
UFN37-2.25-50UWO	2-1/4	3	1/2	.515 ⁺⁰¹⁰ / ₊₀₀₀	.250 ⁺⁰⁰⁴ / ₊₀₀₀	2.772 ±.002	2.250 ±.004	3.000 ⁺⁰⁰⁵ / ₊₀₀₀	26.54
UFN37-2.75-56UWO	2-3/4	3-1/2	9/16	.577 ⁺⁰¹⁰ / ₊₀₀₀	.250 ⁺⁰⁰⁴ / ₊₀₀₀	3.271 ±.003	2.750 ±.004	3.500 ⁺⁰⁰⁶ / ₊₀₀₀	25.72
UFN37-3.25-56UWO	3-1/4	4	9/16	.577 ⁺⁰¹⁰ / ₊₀₀₀	.250 ⁺⁰⁰⁴ / ₊₀₀₀	3.770 ±.003	3.250 ±.004	4.000 ⁺⁰⁰⁶ / ₊₀₀₀	28.71
UFN37-3.50-56UEO	3-1/2	4-1/4	9/16	.577 ⁺⁰¹⁰ / ₊₀₀₀	N/A	N/A	3.500 ±.004	4.250 ⁺⁰⁰⁶ / ₊₀₀₀	36.40

PISTON U-SEALS

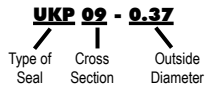


STYLE UKP PISTON U-SEALS

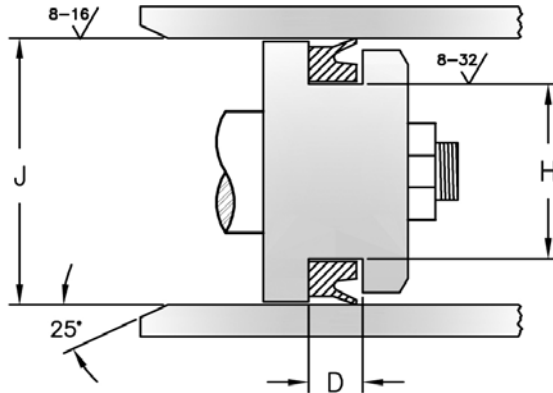
UKP u-seals are designed to act as a positive sealing, low friction replacement for conventional rubber u-seals. Molded from polyurethane, UKP u-seals provide long life and high resistance against extrusion. Low friction allows these seals to run smoothly in a lubricated or non-lubricated cylinder. Available for bore sealing, the flexible dynamic lip provides very low breakaway friction and steady motion.



HERCULES PART NUMBERS



SEAL INFORMATION	
MATERIAL	90A URETHANE
TEMPERATURE RANGE	-40° TO +200° F
PRESSURE RANGE	0 TO 150 PSI
SPEED	3 FT/SEC



PISTON U-SEALS

Part Number	A Nom. ID	B Nom. OD	C Nom. Ht	D GROOVE WIDTH	H GROOVE DIAMETER	J BORE DIAMETER	List Price
3/32" C/S							
UKP09-0.37	3/16	3/8	3/32	.125 ^{+0.015} / _{+0.000}	.187 ^{+0.000} / _{-0.002}	.375 ^{+0.002} / _{+0.000}	\$9.90
UKP09-0.68	1/2	11/16	3/32	.125 ^{+0.015} / _{+0.000}	.500 ^{+0.000} / _{-0.002}	.688 ^{+0.002} / _{+0.000}	7.60
1/8" C/S							
UKP12-0.56	5/16	9/16	1/8	.156 ^{+0.015} / _{+0.000}	.312 ^{+0.000} / _{-0.002}	.563 ^{+0.002} / _{+0.000}	\$8.42
UKP12-0.62	3/8	5/8	1/8	.156 ^{+0.015} / _{+0.000}	.375 ^{+0.000} / _{-0.002}	.625 ^{+0.002} / _{+0.000}	8.47
UKP12-0.75	1/2	3/4	1/8	.156 ^{+0.015} / _{+0.000}	.500 ^{+0.000} / _{-0.002}	.750 ^{+0.002} / _{+0.000}	8.54
UKP12-0.87	5/8	7/8	1/8	.156 ^{+0.015} / _{+0.000}	.625 ^{+0.000} / _{-0.002}	.875 ^{+0.002} / _{+0.000}	8.57
UKP12-1.00	3/4	1	1/8	.156 ^{+0.015} / _{+0.000}	.750 ^{+0.000} / _{-0.002}	1.000 ^{+0.002} / _{+0.000}	8.61
UKP12-1.06	13/16	1-1/16	1/8	.156 ^{+0.015} / _{+0.000}	.812 ^{+0.000} / _{-0.002}	1.063 ^{+0.002} / _{+0.000}	8.61
UKP12-1.12	7/8	1-1/8	1/8	.156 ^{+0.015} / _{+0.000}	.875 ^{+0.000} / _{-0.002}	1.125 ^{+0.002} / _{+0.000}	8.61
UKP12-1.25	1	1-1/4	1/8	.156 ^{+0.015} / _{+0.000}	1.000 ^{+0.000} / _{-0.002}	1.250 ^{+0.002} / _{+0.000}	8.70
UKP12-1.50	1-1/4	1-1/2	1/8	.156 ^{+0.015} / _{+0.000}	1.250 ^{+0.000} / _{-0.002}	1.500 ^{+0.002} / _{+0.000}	15.20
UKP12-2.00	1-3/4	2	1/8	.156 ^{+0.015} / _{+0.000}	1.750 ^{+0.000} / _{-0.002}	2.000 ^{+0.002} / _{+0.000}	15.32

STYLE UKP PISTON U-SEALS

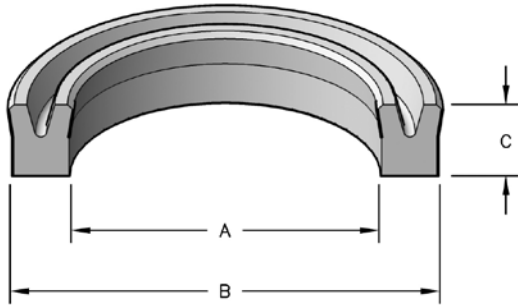


PISTON U-SEALS

Part Number	A Nom. ID	B Nom. OD	C Nom. Ht	D GROOVE WIDTH	H GROOVE DIAMETER	J BORE DIAMETER	List Price
5/32" C/S							
UKP15-1.50	1-3/16	1-1/2	5/32	.188 ^{+0.015} / _{+0.000}	1.187 ^{+0.000} / _{-.002}	1.500 ^{+0.002} / _{+0.000}	\$9.23
UKP15-1.56	1-1/4	1-9/16	5/32	.188 ^{+0.015} / _{+0.000}	1.250 ^{+0.000} / _{-.002}	1.563 ^{+0.002} / _{+0.000}	9.23
3/16" C/S							
UKP18-1.75	1-3/8	1-3/4	3/16	.219 ^{+0.015} / _{+0.000}	1.375 ^{+0.000} / _{-.002}	1.750 ^{+0.002} / _{+0.000}	\$9.60
UKP18-2.00	1-5/8	2	3/16	.219 ^{+0.015} / _{+0.000}	1.625 ^{+0.000} / _{-.002}	2.000 ^{+0.002} / _{+0.000}	9.77
UKP18-2.25	1-7/8	2-1/4	3/16	.219 ^{+0.015} / _{+0.000}	1.875 ^{+0.000} / _{-.002}	2.250 ^{+0.002} / _{+0.000}	14.41
UKP18-2.50	2-1/8	2-1/2	3/16	.219 ^{+0.015} / _{+0.000}	2.125 ^{+0.000} / _{-.002}	2.500 ^{+0.002} / _{+0.000}	10.34
UKP18-2.62	2-1/4	2-5/8	3/16	.219 ^{+0.015} / _{+0.000}	2.250 ^{+0.000} / _{-.002}	2.625 ^{+0.002} / _{+0.000}	10.57
UKP18-4.00	3-5/8	4	3/16	.219 ^{+0.015} / _{+0.000}	3.625 ^{+0.000} / _{-.002}	4.000 ^{+0.002} / _{+0.000}	17.97
7/32" C/S							
UKP21-3.00	2-9/16	3	7/32	.250 ^{+0.015} / _{+0.000}	2.562 ^{+0.000} / _{-.003}	3.000 ^{+0.003} / _{+0.000}	\$19.87
UKP21-3.25	2-13/16	3-1/4	7/32	.250 ^{+0.015} / _{+0.000}	2.812 ^{+0.000} / _{-.003}	3.250 ^{+0.003} / _{+0.000}	21.61
1/4" C/S							
UKP25-3.00	2-1/2	3	1/4	.281 ^{+0.015} / _{+0.000}	2.500 ^{+0.000} / _{-.003}	3.000 ^{+0.003} / _{+0.000}	\$20.61
UKP25-3.25	2-3/4	3-1/4	1/4	.281 ^{+0.015} / _{+0.000}	2.750 ^{+0.000} / _{-.003}	3.250 ^{+0.003} / _{+0.000}	22.34
UKP25-3.50	3	3-1/2	1/4	.281 ^{+0.015} / _{+0.000}	3.000 ^{+0.000} / _{-.003}	3.500 ^{+0.003} / _{+0.000}	24.06
UKP25-4.00	3-1/2	4	1/4	.281 ^{+0.015} / _{+0.000}	3.500 ^{+0.000} / _{-.003}	4.000 ^{+0.003} / _{+0.000}	27.53
UKP25-5.00	4-1/2	5	1/4	.281 ^{+0.015} / _{+0.000}	4.500 ^{+0.000} / _{-.003}	5.000 ^{+0.003} / _{+0.000}	34.64
UKP25-6.00	5-1/2	6	1/4	.281 ^{+0.015} / _{+0.000}	5.500 ^{+0.000} / _{-.003}	6.000 ^{+0.003} / _{+0.000}	41.25
UKP25-7.00	6-1/2	7	1/4	.281 ^{+0.015} / _{+0.000}	6.500 ^{+0.000} / _{-.003}	7.000 ^{+0.003} / _{+0.000}	63.66
UKP25-8.00	7-1/2	8	1/4	.281 ^{+0.015} / _{+0.000}	7.500 ^{+0.000} / _{-.003}	8.000 ^{+0.003} / _{+0.000}	67.96
UKP25-10.00	9-1/2	10	1/4	.281 ^{+0.015} / _{+0.000}	9.500 ^{+0.000} / _{-.003}	10.000 ^{+0.003} / _{+0.000}	90.58
5/16" C/S							
UKP31-6.00	5-3/8	6	5/16	.344 ^{+0.015} / _{+0.000}	5.375 ^{+0.000} / _{-.004}	6.000 ^{+0.003} / _{+0.000}	\$49.49
UKP31-8.00	7-3/8	8	5/16	.344 ^{+0.015} / _{+0.000}	7.375 ^{+0.000} / _{-.004}	8.000 ^{+0.003} / _{+0.000}	65.70
3/8" C/S							
UKP37-10.00	9-1/4	10	3/8	.406 ^{+0.015} / _{+0.000}	9.250 ^{+0.000} / _{-.005}	10.000 ^{+0.004} / _{+0.000}	\$110.91

STYLE DSU HEAVY DUTY SYMMETRICAL U-SEALS

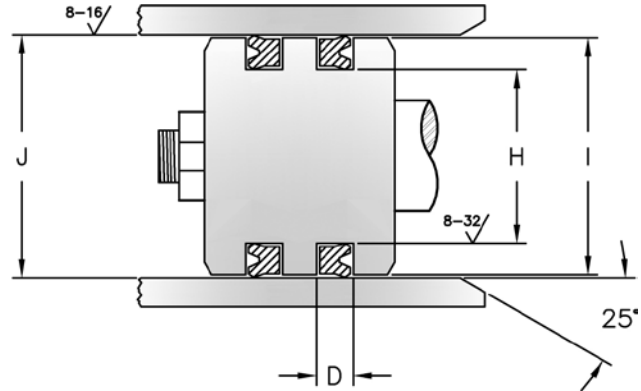
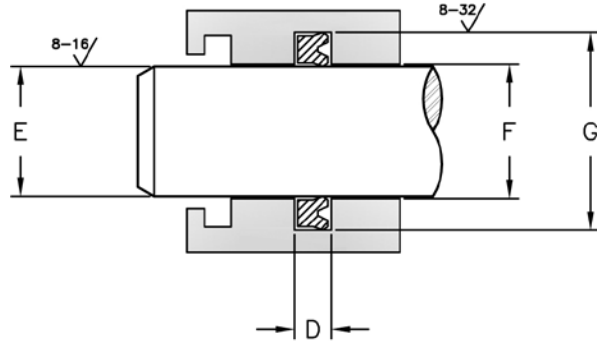
Used interchangeably for piston or rod sealing, these u-seals employ the same tough urethane material found in our Heavy Duty Rod and Piston U-Seals.



HERCULES PART NUMBERS

DSU 12 - 0.18 - 12
 Type of Seal | Cross Section | Inside Diameter | Height

SEAL INFORMATION	
MATERIAL	92A URETHANE
TEMPERATURE RANGE	-40° TO +230° F
PRESSURE RANGE	0 TO 4,000 PSI
SPEED	3 FT/SEC



Part Number	A Nom. ID	B Nom. OD	C Nom. Ht	D GROOVE WIDTH	E ROD DIAMETER	F THROAT DIAMETER	G HOUSING DIAMETER	H GROOVE DIAMETER	I PISTON DIAMETER	J BORE DIAMETER	List Price
1/8" C/S											
DSU12-0.18-12	3/16	7/16	1/8	.156 ^{+0.015} / _{+0.000}	.187 ^{+0.000} / _{-0.003}	.189 ^{+0.003} / _{+0.000}	.438 ^{+0.005} / _{+0.000}	.187 ^{+0.000} / _{-0.003}	.437 ^{+0.000} / _{-0.003}	.438 ^{+0.005} / _{+0.000}	\$10.68
DSU12-0.18-25	3/16	7/16	1/4	.281 ^{+0.015} / _{+0.000}	.187 ^{+0.000} / _{-0.003}	.189 ^{+0.003} / _{+0.000}	.438 ^{+0.005} / _{+0.000}	.187 ^{+0.000} / _{-0.003}	.437 ^{+0.000} / _{-0.003}	.438 ^{+0.005} / _{+0.000}	10.68
DSU12-0.25-18	1/4	1/2	3/16	.218 ^{+0.015} / _{+0.000}	.250 ^{+0.000} / _{-0.003}	.251 ^{+0.003} / _{+0.000}	.500 ^{+0.005} / _{+0.000}	.250 ^{+0.000} / _{-0.003}	.499 ^{+0.000} / _{-0.003}	.500 ^{+0.005} / _{+0.000}	10.28
DSU12-0.31-25	5/16	9/16	1/4	.281 ^{+0.015} / _{+0.000}	.312 ^{+0.000} / _{-0.003}	.313 ^{+0.003} / _{+0.000}	.563 ^{+0.005} / _{+0.000}	.312 ^{+0.000} / _{-0.003}	.561 ^{+0.000} / _{-0.003}	.563 ^{+0.005} / _{+0.000}	12.95
DSU12-0.37-12	3/8	5/8	1/8	.156 ^{+0.015} / _{+0.000}	.375 ^{+0.000} / _{-0.003}	.376 ^{+0.003} / _{+0.000}	.625 ^{+0.005} / _{+0.000}	.375 ^{+0.000} / _{-0.003}	.624 ^{+0.000} / _{-0.003}	.625 ^{+0.005} / _{+0.000}	10.31
DSU12-0.37-25	3/8	5/8	1/4	.281 ^{+0.015} / _{+0.000}	.375 ^{+0.000} / _{-0.003}	.376 ^{+0.003} / _{+0.000}	.625 ^{+0.005} / _{+0.000}	.375 ^{+0.000} / _{-0.003}	.624 ^{+0.000} / _{-0.003}	.625 ^{+0.005} / _{+0.000}	11.85
DSU12-0.50-12	1/2	3/4	1/8	.156 ^{+0.015} / _{+0.000}	.500 ^{+0.000} / _{-0.003}	.501 ^{+0.003} / _{+0.000}	.750 ^{+0.005} / _{+0.000}	.500 ^{+0.000} / _{-0.003}	.749 ^{+0.000} / _{-0.003}	.750 ^{+0.005} / _{+0.000}	10.75
DSU12-0.50-25	1/2	3/4	1/4	.281 ^{+0.015} / _{+0.000}	.500 ^{+0.000} / _{-0.003}	.501 ^{+0.003} / _{+0.000}	.750 ^{+0.005} / _{+0.000}	.500 ^{+0.000} / _{-0.003}	.749 ^{+0.000} / _{-0.003}	.750 ^{+0.005} / _{+0.000}	10.54
DSU12-0.56-12	9/16	13/16	1/8	.156 ^{+0.015} / _{+0.000}	.562 ^{+0.000} / _{-0.003}	.564 ^{+0.003} / _{+0.000}	.813 ^{+0.005} / _{+0.000}	.562 ^{+0.000} / _{-0.003}	.812 ^{+0.000} / _{-0.003}	.813 ^{+0.005} / _{+0.000}	10.20
DSU12-0.62-12	5/8	7/8	1/8	.156 ^{+0.015} / _{+0.000}	.625 ^{+0.000} / _{-0.003}	.626 ^{+0.003} / _{+0.000}	.875 ^{+0.005} / _{+0.000}	.625 ^{+0.000} / _{-0.003}	.874 ^{+0.000} / _{-0.003}	.875 ^{+0.005} / _{+0.000}	11.44
DSU12-0.62-25	5/8	7/8	1/4	.281 ^{+0.015} / _{+0.000}	.625 ^{+0.000} / _{-0.003}	.626 ^{+0.003} / _{+0.000}	.875 ^{+0.005} / _{+0.000}	.625 ^{+0.000} / _{-0.003}	.874 ^{+0.000} / _{-0.003}	.875 ^{+0.005} / _{+0.000}	11.44

STYLE DSU HEAVY DUTY SYMMETRICAL U-SEALS



U-SEALS

Part Number	A Nom. ID	B Nom. OD	C Nom. Ht	D GROOVE WIDTH	E ROD DIAMETER	F THROAT DIAMETER	G HOUSING DIAMETER	H GROOVE DIAMETER	I PISTON DIAMETER	J BORE DIAMETER	List Price
DSU12-0.75-12	3/4	1	1/8	.156 +.015 +0.000	.750 +.000 -0.003	.751 +.003 +0.000	1.000 +.005 +0.000	.750 +.000 -0.003	.999 +.000 -0.003	1.000 +.005 +0.000	11.87
DSU12-0.75-18	3/4	1	3/16	.218 +.015 +0.000	.750 +.000 -0.003	.751 +.003 +0.000	1.000 +.005 +0.000	.750 +.000 -0.003	.999 +.000 -0.003	1.000 +.005 +0.000	11.87
DSU12-0.75-25	3/4	1	1/4	.281 +.015 +0.000	.750 +.000 -0.003	.751 +.003 +0.000	1.000 +.005 +0.000	.750 +.000 -0.003	.999 +.000 -0.003	1.000 +.005 +0.000	11.87
DSU12-0.87-12	7/8	1-1/8	1/8	.156 +.015 +0.000	.875 +.000 -0.003	.876 +.003 +0.000	1.125 +.005 +0.000	.875 +.000 -0.003	1.124 +.000 -0.003	1.125 +.005 +0.000	12.31
DSU12-0.87-17	7/8	1-1/8	11/64	.202 +.015 +0.000	.875 +.000 -0.003	.876 +.003 +0.000	1.125 +.005 +0.000	.875 +.000 -0.003	1.124 +.000 -0.003	1.125 +.005 +0.000	12.31
DSU12-0.87-25	7/8	1-1/8	1/4	.281 +.015 +0.000	.875 +.000 -0.003	.876 +.003 +0.000	1.125 +.005 +0.000	.875 +.000 -0.003	1.124 +.000 -0.003	1.125 +.005 +0.000	12.31
DSU12-1.00-12	1	1-1/4	1/8	.156 +.015 +0.000	1.000 +.000 -0.003	1.001 +.003 +0.000	1.250 +.005 +0.000	1.000 +.000 -0.003	1.249 +.000 -0.003	1.250 +.005 +0.000	12.87
DSU12-1.00-15	1	1-1/4	5/32	.187 +.015 +0.000	1.000 +.000 -0.003	1.001 +.003 +0.000	1.250 +.005 +0.000	1.000 +.000 -0.003	1.249 +.000 -0.003	1.250 +.005 +0.000	18.48
DSU12-1.00-18	1	1-1/4	3/16	.218 +.015 +0.000	1.000 +.000 -0.003	1.001 +.003 +0.000	1.250 +.005 +0.000	1.000 +.000 -0.003	1.249 +.000 -0.003	1.250 +.005 +0.000	12.87
DSU12-1.00-25	1	1-1/4	1/4	.281 +.015 +0.000	1.000 +.000 -0.003	1.001 +.003 +0.000	1.250 +.005 +0.000	1.000 +.000 -0.003	1.249 +.000 -0.003	1.250 +.005 +0.000	12.87
DSU12-1.12-12	1-1/8	1-3/8	1/8	.156 +.015 +0.000	1.125 +.000 -0.003	1.126 +.003 +0.000	1.375 +.005 +0.000	1.125 +.000 -0.003	1.374 +.000 -0.003	1.375 +.005 +0.000	13.39
DSU12-1.12-25	1-1/8	1-3/8	1/4	.281 +.015 +0.000	1.125 +.000 -0.003	1.126 +.003 +0.000	1.375 +.005 +0.000	1.125 +.000 -0.003	1.374 +.000 -0.003	1.375 +.005 +0.000	13.39
DSU12-1.25-12	1-1/4	1-1/2	1/8	.156 +.015 +0.000	1.250 +.000 -0.003	1.251 +.003 +0.000	1.500 +.007 +0.000	1.250 +.000 -0.003	1.499 +.000 -0.003	1.500 +.007 +0.000	14.76
DSU12-1.25-15	1-1/4	1-1/2	5/32	.187 +.015 +0.000	1.250 +.000 -0.003	1.251 +.003 +0.000	1.500 +.007 +0.000	1.250 +.000 -0.003	1.499 +.000 -0.003	1.500 +.007 +0.000	15.26
DSU12-1.25-18	1-1/4	1-1/2	3/16	.218 +.015 +0.000	1.250 +.000 -0.003	1.251 +.003 +0.000	1.500 +.007 +0.000	1.250 +.000 -0.003	1.499 +.000 -0.003	1.500 +.007 +0.000	14.76
DSU12-1.25-25	1-1/4	1-1/2	1/4	.281 +.015 +0.000	1.250 +.000 -0.003	1.251 +.003 +0.000	1.500 +.007 +0.000	1.250 +.000 -0.003	1.499 +.000 -0.003	1.500 +.007 +0.000	14.76
DSU12-1.31-25	1-5/16	1-9/16	1/4	.281 +.015 +0.000	1.312 +.000 -0.003	1.313 +.003 +0.000	1.563 +.007 +0.000	1.312 +.000 -0.003	1.562 +.000 -0.003	1.563 +.007 +0.000	15.26
DSU12-1.37-25	1-3/8	1-5/8	1/4	.281 +.015 +0.000	1.375 +.000 -0.003	1.376 +.003 +0.000	1.625 +.007 +0.000	1.375 +.000 -0.003	1.624 +.000 -0.003	1.625 +.007 +0.000	15.70
DSU12-1.50-25	1-1/2	1-3/4	1/4	.281 +.015 +0.000	1.500 +.000 -0.003	1.501 +.003 +0.000	1.750 +.007 +0.000	1.500 +.000 -0.003	1.749 +.000 -0.003	1.750 +.007 +0.000	16.07
3/16" C/S											
DSU18-0.25-25	1/4	5/8	1/4	.281 +.015 +0.000	.250 +.000 -0.003	.251 +.003 +0.000	.625 +.005 +0.000	.250 +.000 -0.003	.624 +.000 -0.003	.625 +.005 +0.000	\$12.08
DSU18-0.25-31	1/4	5/8	5/16	.343 +.015 +0.000	.250 +.000 -0.003	.251 +.003 +0.000	.625 +.005 +0.000	.250 +.000 -0.003	.624 +.000 -0.003	.625 +.005 +0.000	12.08
DSU18-0.37-31	3/8	3/4	5/16	.343 +.015 +0.000	.375 +.000 -0.003	.376 +.003 +0.000	.750 +.005 +0.000	.375 +.000 -0.003	.749 +.000 -0.003	.750 +.005 +0.000	12.15
DSU18-0.50-18	1/2	7/8	3/16	.218 +.015 +0.000	.500 +.000 -0.003	.501 +.003 +0.000	.875 +.005 +0.000	.500 +.000 -0.003	.874 +.000 -0.003	.875 +.005 +0.000	14.68
DSU18-0.50-31	1/2	7/8	5/16	.343 +.015 +0.000	.500 +.000 -0.003	.501 +.003 +0.000	.875 +.005 +0.000	.500 +.000 -0.003	.874 +.000 -0.003	.875 +.005 +0.000	12.21
DSU18-0.56-18	9/16	15/16	3/16	.218 +.015 +0.000	.562 +.000 -0.003	.564 +.003 +0.000	.938 +.005 +0.000	.562 +.000 -0.003	.937 +.000 -0.003	.938 +.005 +0.000	13.12
DSU18-0.62-18	5/8	1	3/16	.218 +.015 +0.000	.625 +.000 -0.003	.626 +.003 +0.000	1.000 +.005 +0.000	.625 +.000 -0.003	.999 +.000 -0.003	1.000 +.005 +0.000	12.65
DSU18-0.62-25	5/8	1	1/4	.281 +.015 +0.000	.625 +.000 -0.003	.626 +.003 +0.000	1.000 +.005 +0.000	.625 +.000 -0.003	.999 +.000 -0.003	1.000 +.005 +0.000	12.65
DSU18-0.62-31	5/8	1	5/16	.343 +.015 +0.000	.625 +.000 -0.003	.626 +.003 +0.000	1.000 +.005 +0.000	.625 +.000 -0.003	.999 +.000 -0.003	1.000 +.005 +0.000	13.72
DSU18-0.75-18	3/4	1-1/8	3/16	.218 +.015 +0.000	.750 +.000 -0.003	.751 +.003 +0.000	1.125 +.005 +0.000	.750 +.000 -0.003	1.124 +.000 -0.003	1.125 +.005 +0.000	12.97
DSU18-0.75-25	3/4	1-1/8	1/4	.281 +.015 +0.000	.750 +.000 -0.003	.751 +.003 +0.000	1.125 +.005 +0.000	.750 +.000 -0.003	1.124 +.000 -0.003	1.125 +.005 +0.000	12.97
DSU18-0.87-25	7/8	1-1/4	1/4	.281 +.015 +0.000	.875 +.000 -0.003	.876 +.003 +0.000	1.250 +.005 +0.000	.875 +.000 -0.003	1.249 +.000 -0.003	1.250 +.005 +0.000	13.29
DSU18-1.00-18	1	1-3/8	3/16	.218 +.015 +0.000	1.000 +.000 -0.003	1.001 +.003 +0.000	1.375 +.005 +0.000	1.000 +.000 -0.003	1.374 +.000 -0.003	1.375 +.005 +0.000	13.45

STYLE DSU HEAVY DUTY SYMMETRICAL U-SEALS

U-SEALS

Part Number	A Nom. ID	B Nom. OD	C Nom. Ht	D GROOVE WIDTH	E ROD DIAMETER	F THROAT DIAMETER	G HOUSING DIAMETER	H GROOVE DIAMETER	I PISTON DIAMETER	J BORE DIAMETER	List Price
DSU18-1.00-25	1	1-3/8	1/4	.281 +.015 +0.000	1.000 +.000 -.003	1.001 +.003 +0.000	1.375 +.005 +0.000	1.000 +.000 -.003	1.374 +.000 -.003	1.375 +.005 +0.000	13.45
DSU18-1.00-31	1	1-3/8	5/16	.343 +.015 +0.000	1.000 +.000 -.003	1.001 +.003 +0.000	1.375 +.005 +0.000	1.000 +.000 -.003	1.374 +.000 -.003	1.375 +.005 +0.000	13.45
DSU18-1.12-18	1-1/8	1-1/2	3/16	.218 +.015 +0.000	1.125 +.000 -.003	1.126 +.003 +0.000	1.500 +.007 +0.000	1.125 +.000 -.003	1.499 +.000 -.003	1.500 +.007 +0.000	13.72
DSU18-1.12-25	1-1/8	1-1/2	1/4	.281 +.015 +0.000	1.125 +.000 -.003	1.126 +.003 +0.000	1.500 +.007 +0.000	1.125 +.000 -.003	1.499 +.000 -.003	1.500 +.007 +0.000	13.72
DSU18-1.12-31	1-1/8	1-1/2	5/16	.343 +.015 +0.000	1.125 +.000 -.003	1.126 +.003 +0.000	1.500 +.007 +0.000	1.125 +.000 -.003	1.499 +.000 -.003	1.500 +.007 +0.000	14.78
DSU18-1.25-25	1-1/4	1-5/8	1/4	.281 +.015 +0.000	1.250 +.000 -.003	1.251 +.003 +0.000	1.625 +.007 +0.000	1.250 +.000 -.003	1.624 +.000 -.003	1.625 +.007 +0.000	15.13
DSU18-1.25-31	1-1/4	1-5/8	5/16	.343 +.015 +0.000	1.250 +.000 -.003	1.251 +.003 +0.000	1.625 +.007 +0.000	1.250 +.000 -.003	1.624 +.000 -.003	1.625 +.007 +0.000	17.53
DSU18-1.37-25	1-3/8	1-3/4	1/4	.281 +.015 +0.000	1.375 +.000 -.003	1.376 +.003 +0.000	1.750 +.007 +0.000	1.375 +.000 -.003	1.749 +.000 -.003	1.750 +.007 +0.000	17.46
DSU18-1.37-31	1-3/8	1-3/4	5/16	.343 +.015 +0.000	1.375 +.000 -.003	1.376 +.003 +0.000	1.750 +.007 +0.000	1.375 +.000 -.003	1.749 +.000 -.003	1.750 +.007 +0.000	17.46
DSU18-1.43-25	1-7/16	1-13/16	1/4	.281 +.015 +0.000	1.437 +.000 -.003	1.439 +.003 +0.000	1.813 +.007 +0.000	1.437 +.000 -.003	1.812 +.000 -.003	1.813 +.007 +0.000	17.46
DSU18-1.50-18	1-1/2	1-7/8	3/16	.218 +.015 +0.000	1.500 +.000 -.003	1.501 +.003 +0.000	1.875 +.007 +0.000	1.500 +.000 -.003	1.874 +.000 -.003	1.875 +.007 +0.000	17.84
DSU18-1.50-25	1-1/2	1-7/8	1/4	.281 +.015 +0.000	1.500 +.000 -.003	1.501 +.003 +0.000	1.875 +.007 +0.000	1.500 +.000 -.003	1.874 +.000 -.003	1.875 +.007 +0.000	17.84
DSU18-1.50-31	1-1/2	1-7/8	5/16	.343 +.015 +0.000	1.500 +.000 -.003	1.501 +.003 +0.000	1.875 +.007 +0.000	1.500 +.000 -.003	1.874 +.000 -.003	1.875 +.007 +0.000	17.84
DSU18-1.50-37	1-1/2	1-7/8	3/8	.406 +.015 +0.000	1.500 +.000 -.003	1.501 +.003 +0.000	1.875 +.007 +0.000	1.500 +.000 -.003	1.874 +.000 -.003	1.875 +.007 +0.000	17.84
DSU18-1.62-25	1-5/8	2	1/4	.281 +.015 +0.000	1.625 +.000 -.003	1.626 +.003 +0.000	2.000 +.008 +0.000	1.625 +.000 -.003	1.999 +.000 -.004	2.000 +.008 +0.000	19.20
DSU18-1.62-31	1-5/8	2	5/16	.343 +.015 +0.000	1.625 +.000 -.003	1.626 +.003 +0.000	2.000 +.008 +0.000	1.625 +.000 -.003	1.999 +.000 -.004	2.000 +.008 +0.000	19.20
DSU18-1.62-37	1-5/8	2	3/8	.406 +.015 +0.000	1.625 +.000 -.003	1.626 +.003 +0.000	2.000 +.008 +0.000	1.625 +.000 -.003	1.999 +.000 -.004	2.000 +.008 +0.000	19.20
DSU18-1.75-25	1-3/4	2-1/8	1/4	.281 +.015 +0.000	1.750 +.000 -.003	1.751 +.003 +0.000	2.125 +.008 +0.000	1.750 +.000 -.003	2.124 +.000 -.004	2.125 +.008 +0.000	19.90
DSU18-1.75-37	1-3/4	2-1/8	3/8	.406 +.015 +0.000	1.750 +.000 -.003	1.751 +.003 +0.000	2.125 +.008 +0.000	1.750 +.000 -.003	2.124 +.000 -.004	2.125 +.008 +0.000	19.90
DSU18-1.87-37	1-7/8	2-1/4	3/8	.406 +.015 +0.000	1.875 +.000 -.003	1.876 +.003 +0.000	2.250 +.008 +0.000	1.875 +.000 -.003	2.249 +.000 -.004	2.250 +.008 +0.000	21.61
DSU18-2.00-25	2	2-3/8	1/4	.281 +.015 +0.000	2.000 +.000 -.003	2.001 +.004 +0.000	2.375 +.008 +0.000	2.000 +.000 -.003	2.374 +.000 -.004	2.375 +.008 +0.000	23.62
DSU18-2.00-31	2	2-3/8	5/16	.343 +.015 +0.000	2.000 +.000 -.003	2.001 +.004 +0.000	2.375 +.008 +0.000	2.000 +.000 -.003	2.374 +.000 -.004	2.375 +.008 +0.000	23.62
DSU18-2.00-37	2	2-3/8	3/8	.406 +.015 +0.000	2.000 +.000 -.003	2.001 +.004 +0.000	2.375 +.008 +0.000	2.000 +.000 -.003	2.374 +.000 -.004	2.375 +.008 +0.000	23.62
DSU18-2.12-25	2-1/8	2-1/2	1/4	.281 +.015 +0.000	2.125 +.000 -.003	2.126 +.004 +0.000	2.500 +.008 +0.000	2.125 +.000 -.003	2.499 +.000 -.004	2.500 +.008 +0.000	21.18
DSU18-2.12-31	2-1/8	2-1/2	5/16	.343 +.015 +0.000	2.125 +.000 -.003	2.126 +.004 +0.000	2.500 +.008 +0.000	2.125 +.000 -.003	2.499 +.000 -.004	2.500 +.008 +0.000	24.79
DSU18-2.12-37	2-1/8	2-1/2	3/8	.406 +.015 +0.000	2.125 +.000 -.003	2.126 +.004 +0.000	2.500 +.008 +0.000	2.125 +.000 -.003	2.499 +.000 -.004	2.500 +.008 +0.000	24.79
DSU18-2.25-31	2-1/4	2-5/8	5/16	.343 +.015 +0.000	2.250 +.000 -.003	2.251 +.004 +0.000	2.625 +.008 +0.000	2.250 +.000 -.003	2.624 +.000 -.004	2.625 +.008 +0.000	25.12
DSU18-2.25-37	2-1/4	2-5/8	3/8	.406 +.015 +0.000	2.250 +.000 -.003	2.251 +.004 +0.000	2.625 +.008 +0.000	2.250 +.000 -.003	2.624 +.000 -.004	2.625 +.008 +0.000	25.12
DSU18-2.37-37	2-3/8	2-3/4	3/8	.406 +.015 +0.000	2.375 +.000 -.003	2.376 +.004 +0.000	2.750 +.008 +0.000	2.375 +.000 -.003	2.749 +.000 -.004	2.750 +.008 +0.000	26.37
DSU18-2.50-25	2-1/2	2-7/8	1/4	.281 +.015 +0.000	2.500 +.000 -.003	2.501 +.004 +0.000	2.875 +.008 +0.000	2.500 +.000 -.003	2.874 +.000 -.004	2.875 +.008 +0.000	28.54
DSU18-2.50-37	2-1/2	2-7/8	3/8	.406 +.015 +0.000	2.500 +.000 -.003	2.501 +.004 +0.000	2.875 +.008 +0.000	2.500 +.000 -.003	2.874 +.000 -.004	2.875 +.008 +0.000	28.54
DSU18-2.62-25	2-5/8	3	1/4	.281 +.015 +0.000	2.625 +.000 -.003	2.626 +.004 +0.000	3.000 +.008 +0.000	2.625 +.000 -.003	2.999 +.000 -.004	3.000 +.008 +0.000	29.41
DSU18-2.62-37	2-5/8	3	3/8	.406 +.015 +0.000	2.625 +.000 -.003	2.626 +.004 +0.000	3.000 +.008 +0.000	2.625 +.000 -.003	2.999 +.000 -.004	3.000 +.008 +0.000	29.41

STYLE DSU HEAVY DUTY SYMMETRICAL U-SEALS



U-SEALS

Part Number	A Nom. ID	B Nom. OD	C Nom. Ht	D GROOVE WIDTH	E ROD DIAMETER	F THROAT DIAMETER	G HOUSING DIAMETER	H GROOVE DIAMETER	I PISTON DIAMETER	J BORE DIAMETER	List Price
DSU18-2.87-25	2-7/8	3-1/4	1/4	.281 +.015 +0.000	2.875 +.000 -.003	2.876 +.004 +0.000	3.250 +.009 +0.000	2.875 +.000 -.003	3.249 +.000 -.004	3.250 +.009 +0.000	29.72
DSU18-2.87-37	2-7/8	3-1/4	3/8	.406 +.015 +0.000	2.875 +.000 -.003	2.876 +.004 +0.000	3.250 +.009 +0.000	2.875 +.000 -.003	3.249 +.000 -.004	3.250 +.009 +0.000	29.72
DSU18-3.00-37	3	3-3/8	3/8	.406 +.015 +0.000	3.000 +.000 -.004	3.001 +.004 +0.000	3.375 +.009 +0.000	3.000 +.000 -.004	3.374 +.000 -.004	3.375 +.009 +0.000	30.07
DSU18-3.12-37	3-1/8	3-1/2	3/8	.406 +.015 +0.000	3.125 +.000 -.004	3.126 +.004 +0.000	3.500 +.009 +0.000	3.125 +.000 -.004	3.499 +.000 -.004	3.500 +.009 +0.000	30.45
DSU18-3.25-37	3-1/4	3-5/8	3/8	.406 +.015 +0.000	3.250 +.000 -.004	3.251 +.004 +0.000	3.625 +.009 +0.000	3.250 +.000 -.004	3.624 +.000 -.004	3.625 +.009 +0.000	30.67
DSU18-3.37-37	3-3/8	3-3/4	3/8	.406 +.015 +0.000	3.375 +.000 -.004	3.376 +.004 +0.000	3.750 +.009 +0.000	3.375 +.000 -.004	3.749 +.000 -.004	3.750 +.009 +0.000	30.67
DSU18-3.50-37	3-1/2	3-7/8	3/8	.406 +.015 +0.000	3.500 +.000 -.004	3.501 +.004 +0.000	3.875 +.009 +0.000	3.500 +.000 -.004	3.874 +.000 -.004	3.875 +.009 +0.000	31.72
DSU18-3.62-25	3-5/8	4	1/4	.281 +.015 +0.000	3.625 +.000 -.004	3.626 +.004 +0.000	4.000 +.009 +0.000	3.625 +.000 -.004	3.999 +.000 -.004	4.000 +.009 +0.000	32.03
DSU18-3.62-37	3-5/8	4	3/8	.406 +.015 +0.000	3.625 +.000 -.004	3.626 +.004 +0.000	4.000 +.009 +0.000	3.625 +.000 -.004	3.999 +.000 -.004	4.000 +.009 +0.000	32.03
DSU18-3.75-37	3-3/4	4-1/8	3/8	.406 +.015 +0.000	3.750 +.000 -.004	3.751 +.004 +0.000	4.125 +.009 +0.000	3.750 +.000 -.004	4.124 +.000 -.004	4.125 +.009 +0.000	38.60
DSU18-4.00-37	4	4-3/8	3/8	.406 +.015 +0.000	4.000 +.000 -.004	4.001 +.004 +0.000	4.375 +.009 +0.000	4.000 +.000 -.004	4.374 +.000 -.004	4.375 +.009 +0.000	39.65
DSU18-4.37-37	4-3/8	4-3/4	3/8	.406 +.015 +0.000	4.375 +.000 -.004	4.376 +.004 +0.000	4.750 +.009 +0.000	4.375 +.000 -.004	4.749 +.000 -.004	4.750 +.009 +0.000	41.06
1/4" C/S											
DSU25-0.50-25	1/2	1	1/4	.281 +.015 +0.000	.500 +.000 -.003	.501 +.003 +0.000	1.000 +.005 +0.000	.500 +.000 -.003	.999 +.000 -.003	1.000 +.005 +0.000	\$ 11.13
DSU25-0.50-37	1/2	1	3/8	.406 +.015 +0.000	.500 +.000 -.003	.501 +.003 +0.000	1.000 +.005 +0.000	.500 +.000 -.003	.999 +.000 -.003	1.000 +.005 +0.000	11.13
DSU25-0.62-25	5/8	1-1/8	1/4	.281 +.015 +0.000	.625 +.000 -.003	.626 +.003 +0.000	1.125 +.005 +0.000	.625 +.000 -.003	1.124 +.000 -.003	1.125 +.005 +0.000	11.60
DSU25-0.62-37	5/8	1-1/8	3/8	.406 +.015 +0.000	.625 +.000 -.003	.626 +.003 +0.000	1.125 +.005 +0.000	.625 +.000 -.003	1.124 +.000 -.003	1.125 +.005 +0.000	11.60
DSU25-0.68-37	11/16	1-3/16	3/8	.406 +.015 +0.000	.687 +.000 -.003	.689 +.003 +0.000	1.188 +.005 +0.000	.687 +.000 -.003	1.187 +.000 -.003	1.188 +.005 +0.000	19.58
DSU25-0.75-25	3/4	1-1/4	1/4	.281 +.015 +0.000	.750 +.000 -.003	.751 +.003 +0.000	1.250 +.005 +0.000	.750 +.000 -.003	1.249 +.000 -.003	1.250 +.005 +0.000	12.07
DSU25-0.75-37	3/4	1-1/4	3/8	.406 +.015 +0.000	.750 +.000 -.003	.751 +.003 +0.000	1.250 +.005 +0.000	.750 +.000 -.003	1.249 +.000 -.003	1.250 +.005 +0.000	12.07
DSU25-0.87-25	7/8	1-3/8	1/4	.281 +.015 +0.000	.875 +.000 -.003	.876 +.003 +0.000	1.375 +.005 +0.000	.875 +.000 -.003	1.374 +.000 -.003	1.375 +.005 +0.000	12.54
DSU25-0.87-37	7/8	1-3/8	3/8	.406 +.015 +0.000	.875 +.000 -.003	.876 +.003 +0.000	1.375 +.005 +0.000	.875 +.000 -.003	1.374 +.000 -.003	1.375 +.005 +0.000	12.54
DSU25-0.93-25	15/16	1-7/16	1/4	.281 +.015 +0.000	.937 +.000 -.003	.939 +.003 +0.000	1.438 +.005 +0.000	.937 +.000 -.003	1.437 +.000 -.003	1.438 +.005 +0.000	12.79
DSU25-1.00-25	1	1-1/2	1/4	.281 +.015 +0.000	1.000 +.000 -.003	1.001 +.003 +0.000	1.500 +.007 +0.000	1.000 +.000 -.003	1.499 +.000 -.003	1.500 +.007 +0.000	13.08
DSU25-1.00-31	1	1-1/2	5/16	.343 +.015 +0.000	1.000 +.000 -.003	1.001 +.003 +0.000	1.500 +.007 +0.000	1.000 +.000 -.003	1.499 +.000 -.003	1.500 +.007 +0.000	13.08
DSU25-1.00-37	1	1-1/2	3/8	.406 +.015 +0.000	1.000 +.000 -.003	1.001 +.003 +0.000	1.500 +.007 +0.000	1.000 +.000 -.003	1.499 +.000 -.003	1.500 +.007 +0.000	13.08
DSU25-1.12-31	1-1/8	1-5/8	5/16	.343 +.015 +0.000	1.125 +.000 -.003	1.126 +.003 +0.000	1.625 +.007 +0.000	1.125 +.000 -.003	1.624 +.000 -.003	1.625 +.007 +0.000	16.05
DSU25-1.12-37	1-1/8	1-5/8	3/8	.406 +.015 +0.000	1.125 +.000 -.003	1.126 +.003 +0.000	1.625 +.007 +0.000	1.125 +.000 -.003	1.624 +.000 -.003	1.625 +.007 +0.000	13.51
DSU25-1.18-25	1-3/16	1-11/16	1/4	.281 +.015 +0.000	1.187 +.000 -.003	1.189 +.003 +0.000	1.688 +.007 +0.000	1.187 +.000 -.003	1.687 +.000 -.003	1.688 +.007 +0.000	14.65
DSU25-1.25-25	1-1/4	1-3/4	1/4	.281 +.015 +0.000	1.250 +.000 -.003	1.251 +.003 +0.000	1.750 +.007 +0.000	1.250 +.000 -.003	1.749 +.000 -.003	1.750 +.007 +0.000	16.13
DSU25-1.25-31	1-1/4	1-3/4	5/16	.343 +.015 +0.000	1.250 +.000 -.003	1.251 +.003 +0.000	1.750 +.007 +0.000	1.250 +.000 -.003	1.749 +.000 -.003	1.750 +.007 +0.000	16.13
DSU25-1.25-37	1-1/4	1-3/4	3/8	.406 +.015 +0.000	1.250 +.000 -.003	1.251 +.003 +0.000	1.750 +.007 +0.000	1.250 +.000 -.003	1.749 +.000 -.003	1.750 +.007 +0.000	16.13
DSU25-1.37-25	1-3/8	1-7/8	1/4	.281 +.015 +0.000	1.375 +.000 -.003	1.376 +.003 +0.000	1.875 +.007 +0.000	1.375 +.000 -.003	1.874 +.000 -.003	1.875 +.007 +0.000	18.06

STYLE DSU HEAVY DUTY SYMMETRICAL U-SEALS

U-SEALS

Part Number	A Nom. ID	B Nom. OD	C Nom. Ht	D GROOVE WIDTH	E ROD DIAMETER	F THROAT DIAMETER	G HOUSING DIAMETER	H GROOVE DIAMETER	I PISTON DIAMETER	J BORE DIAMETER	List Price
DSU25-1.37-37	1-3/8	1-7/8	3/8	.406 +0.015 -0.000	1.375 +0.000 -0.003	1.376 +0.003 +0.000	1.875 +0.007 +0.000	1.375 +0.000 -0.003	1.874 +0.000 -0.003	1.875 +0.007 +0.000	18.06
DSU25-1.50-25	1-1/2	2	1/4	.281 +0.015 +0.000	1.500 +0.000 -0.003	1.501 +0.003 +0.000	2.000 +0.008 +0.000	1.500 +0.000 -0.003	1.999 +0.000 -0.004	2.000 +0.008 +0.000	19.20
DSU25-1.50-31	1-1/2	2	5/16	.343 +0.015 +0.000	1.500 +0.000 -0.003	1.501 +0.003 +0.000	2.000 +0.008 +0.000	1.500 +0.000 -0.003	1.999 +0.000 -0.004	2.000 +0.008 +0.000	19.20
DSU25-1.50-37	1-1/2	2	3/8	.406 +0.015 +0.000	1.500 +0.000 -0.003	1.501 +0.003 +0.000	2.000 +0.008 +0.000	1.500 +0.000 -0.003	1.999 +0.000 -0.004	2.000 +0.008 +0.000	19.20
DSU25-1.75-25	1-3/4	2-1/4	1/4	.281 +0.015 +0.000	1.750 +0.000 -0.003	1.751 +0.003 +0.000	2.250 +0.008 +0.000	1.750 +0.000 -0.003	2.249 +0.000 -0.004	2.250 +0.008 +0.000	21.61
DSU25-1.75-31	1-3/4	2-1/4	5/16	.343 +0.015 +0.000	1.750 +0.000 -0.003	1.751 +0.003 +0.000	2.250 +0.008 +0.000	1.750 +0.000 -0.003	2.249 +0.000 -0.004	2.250 +0.008 +0.000	21.61
DSU25-1.75-37	1-3/4	2-1/4	3/8	.406 +0.015 +0.000	1.750 +0.000 -0.003	1.751 +0.003 +0.000	2.250 +0.008 +0.000	1.750 +0.000 -0.003	2.249 +0.000 -0.004	2.250 +0.008 +0.000	21.61
DSU25-2.00-25	2	2-1/2	1/4	.281 +0.015 +0.000	2.000 +0.000 -0.003	2.001 +0.004 +0.000	2.500 +0.008 +0.000	2.000 +0.000 -0.003	2.499 +0.000 -0.004	2.500 +0.008 +0.000	24.79
DSU25-2.00-37	2	2-1/2	3/8	.406 +0.015 +0.000	2.000 +0.000 -0.003	2.001 +0.004 +0.000	2.500 +0.008 +0.000	2.000 +0.000 -0.003	2.499 +0.000 -0.004	2.500 +0.008 +0.000	24.79
DSU25-2.12-37	2-1/8	2-5/8	3/8	.406 +0.015 +0.000	2.125 +0.000 -0.003	2.126 +0.004 +0.000	2.625 +0.008 +0.000	2.125 +0.000 -0.003	2.624 +0.000 -0.004	2.625 +0.008 +0.000	26.06
DSU25-2.25-31	2-1/4	2-3/4	5/16	.343 +0.015 +0.000	2.250 +0.000 -0.003	2.251 +0.004 +0.000	2.750 +0.008 +0.000	2.250 +0.000 -0.003	2.749 +0.000 -0.004	2.750 +0.008 +0.000	26.37
DSU25-2.25-37	2-1/4	2-3/4	3/8	.406 +0.015 +0.000	2.250 +0.000 -0.003	2.251 +0.004 +0.000	2.750 +0.008 +0.000	2.250 +0.000 -0.003	2.749 +0.000 -0.004	2.750 +0.008 +0.000	26.37
DSU25-2.37-37	2-3/8	2-7/8	3/8	.406 +0.015 +0.000	2.375 +0.000 -0.003	2.376 +0.004 +0.000	2.875 +0.008 +0.000	2.375 +0.000 -0.003	2.874 +0.000 -0.004	2.875 +0.008 +0.000	26.83
DSU25-2.50-25	2-1/2	3	1/4	.281 +0.015 +0.000	2.500 +0.000 -0.003	2.501 +0.004 +0.000	3.000 +0.008 +0.000	2.500 +0.000 -0.003	2.999 +0.000 -0.004	3.000 +0.008 +0.000	28.51
DSU25-2.50-31	2-1/2	3	5/16	.343 +0.015 +0.000	2.500 +0.000 -0.003	2.501 +0.004 +0.000	3.000 +0.008 +0.000	2.500 +0.000 -0.003	2.999 +0.000 -0.004	3.000 +0.008 +0.000	28.51
DSU25-2.50-37	2-1/2	3	3/8	.406 +0.015 +0.000	2.500 +0.000 -0.003	2.501 +0.004 +0.000	3.000 +0.008 +0.000	2.500 +0.000 -0.003	2.999 +0.000 -0.004	3.000 +0.008 +0.000	28.51
DSU25-2.62-37	2-5/8	3-1/8	3/8	.406 +0.015 +0.000	2.625 +0.000 -0.003	2.626 +0.004 +0.000	3.125 +0.008 +0.000	2.625 +0.000 -0.003	3.124 +0.000 -0.004	3.125 +0.008 +0.000	28.98
DSU25-2.75-37	2-3/4	3-1/4	3/8	.406 +0.015 +0.000	2.750 +0.000 -0.003	2.751 +0.004 +0.000	3.250 +0.009 +0.000	2.750 +0.000 -0.003	3.249 +0.000 -0.004	3.250 +0.009 +0.000	29.10
DSU25-2.87-37	2-7/8	3-3/8	3/8	.406 +0.015 +0.000	2.875 +0.000 -0.003	2.876 +0.004 +0.000	3.375 +0.009 +0.000	2.875 +0.000 -0.003	3.374 +0.000 -0.004	3.375 +0.009 +0.000	29.25
DSU25-3.00-25	3	3-1/2	1/4	.281 +0.015 +0.000	3.000 +0.000 -0.004	3.001 +0.004 +0.000	3.500 +0.009 +0.000	3.000 +0.000 -0.004	3.499 +0.000 -0.004	3.500 +0.009 +0.000	30.67
DSU25-3.00-37	3	3-1/2	3/8	.406 +0.015 +0.000	3.000 +0.000 -0.004	3.001 +0.004 +0.000	3.500 +0.009 +0.000	3.000 +0.000 -0.004	3.499 +0.000 -0.004	3.500 +0.009 +0.000	30.78
DSU25-3.25-37	3-1/4	3-3/4	3/8	.406 +0.015 +0.000	3.250 +0.000 -0.004	3.251 +0.004 +0.000	3.750 +0.009 +0.000	3.250 +0.000 -0.004	3.749 +0.000 -0.004	3.750 +0.009 +0.000	31.19
DSU25-3.37-37	3-3/8	3-7/8	3/8	.406 +0.015 +0.000	3.375 +0.000 -0.004	3.376 +0.004 +0.000	3.875 +0.009 +0.000	3.375 +0.000 -0.004	3.874 +0.000 -0.004	3.875 +0.009 +0.000	31.19
DSU25-3.50-25	3-1/2	4	1/4	.281 +0.015 +0.000	3.500 +0.000 -0.004	3.501 +0.004 +0.000	4.000 +0.009 +0.000	3.500 +0.000 -0.004	3.999 +0.000 -0.004	4.000 +0.009 +0.000	33.25
DSU25-3.50-37	3-1/2	4	3/8	.406 +0.015 +0.000	3.500 +0.000 -0.004	3.501 +0.004 +0.000	4.000 +0.009 +0.000	3.500 +0.000 -0.004	3.999 +0.000 -0.004	4.000 +0.009 +0.000	33.25
DSU25-3.62-37	3-5/8	4-1/8	3/8	.406 +0.015 +0.000	3.625 +0.000 -0.004	3.626 +0.004 +0.000	4.125 +0.009 +0.000	3.625 +0.000 -0.004	4.124 +0.000 -0.004	4.125 +0.009 +0.000	34.33
DSU25-3.75-37	3-3/4	4-1/4	3/8	.406 +0.015 +0.000	3.750 +0.000 -0.004	3.751 +0.004 +0.000	4.250 +0.009 +0.000	3.750 +0.000 -0.004	4.249 +0.000 -0.004	4.250 +0.009 +0.000	35.00
DSU25-4.00-56	4	4-1/2	9/16	.594 +0.015 +0.000	4.000 +0.000 -0.004	4.001 +0.004 +0.000	4.500 +0.009 +0.000	4.000 +0.000 -0.004	4.499 +0.000 -0.004	4.500 +0.009 +0.000	40.05
DSU25-4.12-56	4-1/8	4-5/8	9/16	.594 +0.015 +0.000	4.125 +0.000 -0.004	4.126 +0.004 +0.000	4.625 +0.009 +0.000	4.125 +0.000 -0.004	4.624 +0.000 -0.004	4.625 +0.009 +0.000	40.39
DSU25-4.25-37	4-1/4	4-3/4	3/8	.406 +0.015 +0.000	4.250 +0.000 -0.004	4.251 +0.004 +0.000	4.750 +0.009 +0.000	4.250 +0.000 -0.004	4.749 +0.000 -0.004	4.750 +0.009 +0.000	41.82
DSU25-4.50-37	4-1/2	5	3/8	.406 +0.015 +0.000	4.500 +0.000 -0.004	4.501 +0.004 +0.000	5.000 +0.010 +0.000	4.500 +0.000 -0.004	4.999 +0.000 -0.004	5.000 +0.010 +0.000	45.28
DSU25-4.50-50	4-1/2	5	1/2	.531 +0.015 +0.000	4.500 +0.000 -0.004	4.501 +0.004 +0.000	5.000 +0.010 +0.000	4.500 +0.000 -0.004	4.999 +0.000 -0.004	5.000 +0.010 +0.000	45.28
DSU25-4.50-56	4-1/2	5	9/16	.594 +0.015 +0.000	4.500 +0.000 -0.004	4.501 +0.004 +0.000	5.000 +0.010 +0.000	4.500 +0.000 -0.004	4.999 +0.000 -0.004	5.000 +0.010 +0.000	45.28

STYLE DSU HEAVY DUTY SYMMETRICAL U-SEALS



U-SEALS

Part Number	A Nom. ID	B Nom. OD	C Nom. Ht	D GROOVE WIDTH	E ROD DIAMETER	F THROAT DIAMETER	G HOUSING DIAMETER	H GROOVE DIAMETER	I PISTON DIAMETER	J BORE DIAMETER	List Price
DSU25-4.75-37	4-3/4	5-1/4	3/8	.406 +.015 +.000	4.750 +.000 -.004	4.751 +.004 +.000	5.250 +.010 +.000	4.750 +.000 -.004	5.249 +.000 -.004	5.250 +.010 +.000	47.70
DSU25-4.75-56	4-3/4	5-1/4	9/16	.594 +.015 +.000	4.750 +.000 -.004	4.751 +.004 +.000	5.250 +.010 +.000	4.750 +.000 -.004	5.249 +.000 -.004	5.250 +.010 +.000	47.70
DSU25-5.25-56	5-1/4	5-3/4	9/16	.594 +.015 +.000	5.250 +.000 -.004	5.251 +.004 +.000	5.750 +.010 +.000	5.250 +.000 -.004	5.749 +.000 -.004	5.750 +.010 +.000	54.84
DSU25-5.37-37	5-3/8	5-7/8	3/8	.406 +.015 +.000	5.375 +.000 -.004	5.376 +.004 +.000	5.875 +.010 +.000	5.375 +.000 -.004	5.874 +.000 -.004	5.875 +.010 +.000	57.54
DSU25-5.62-37	5-5/8	6-1/8	3/8	.406 +.015 +.000	5.625 +.000 -.004	5.626 +.004 +.000	6.125 +.010 +.000	5.625 +.000 -.004	6.124 +.000 -.004	6.125 +.010 +.000	63.31
DSU25-6.00-37	6	6-1/2	3/8	.406 +.015 +.000	6.000 +.000 -.004	6.001 +.004 +.000	6.500 +.010 +.000	6.000 +.000 -.004	6.499 +.000 -.004	6.500 +.010 +.000	84.02
DSU25-6.00-56	6	6-1/2	9/16	.594 +.015 +.000	6.000 +.000 -.004	6.001 +.004 +.000	6.500 +.010 +.000	6.000 +.000 -.004	6.499 +.000 -.004	6.500 +.010 +.000	84.02
DSU25-6.25-50	6-1/4	6-3/4	1/2	.531 +.015 +.000	6.250 +.000 -.004	6.251 +.004 +.000	6.750 +.010 +.000	6.250 +.000 -.004	6.749 +.000 -.004	6.750 +.010 +.000	87.16
DSU25-6.50-37	6-1/2	7	3/8	.406 +.015 +.000	6.500 +.000 -.004	6.501 +.004 +.000	7.000 +.011 +.000	6.500 +.000 -.004	6.999 +.000 -.004	7.000 +.011 +.000	91.61
DSU25-6.50-50	6-1/2	7	1/2	.531 +.015 +.000	6.500 +.000 -.004	6.501 +.004 +.000	7.000 +.011 +.000	6.500 +.000 -.004	6.999 +.000 -.004	7.000 +.011 +.000	91.61
DSU25-7.00-56	7	7-1/2	9/16	.594 +.015 +.000	7.000 +.000 -.005	7.001 +.004 +.000	7.500 +.011 +.000	7.000 +.000 -.005	7.499 +.000 -.004	7.500 +.011 +.000	98.30
DSU25-8.50-37	8-1/2	9	3/8	.406 +.015 +.000	8.500 +.000 -.005	8.501 +.004 +.000	9.000 +.012 +.000	8.500 +.000 -.005	8.999 +.000 -.004	9.000 +.012 +.000	146.44
5/16" C/S											
DSU31-1.25-37	1-1/4	1-7/8	3/8	.406 +.015 +.000	1.250 +.000 -.003	1.251 +.003 +.000	1.875 +.007 +.000	1.250 +.000 -.003	1.874 +.000 -.003	1.875 +.007 +.000	\$17.09
DSU31-1.25-50	1-1/4	1-7/8	1/2	.531 +.015 +.000	1.250 +.000 -.003	1.251 +.003 +.000	1.875 +.007 +.000	1.250 +.000 -.003	1.874 +.000 -.003	1.875 +.007 +.000	17.09
DSU31-1.37-31	1-3/8	2	5/16	.343 +.015 +.000	1.375 +.000 -.003	1.376 +.003 +.000	2.000 +.008 +.000	1.375 +.000 -.003	1.999 +.000 -.003	2.000 +.008 +.000	19.20
DSU31-1.37-37	1-3/8	2	3/8	.406 +.015 +.000	1.375 +.000 -.003	1.376 +.003 +.000	2.000 +.008 +.000	1.375 +.000 -.003	1.999 +.000 -.003	2.000 +.008 +.000	19.20
DSU31-1.50-37	1-1/2	2-1/8	3/8	.406 +.015 +.000	1.500 +.000 -.003	1.501 +.003 +.000	2.125 +.008 +.000	1.500 +.000 -.003	2.124 +.000 -.004	2.125 +.008 +.000	19.90
DSU31-1.62-37	1-5/8	2-1/4	3/8	.406 +.015 +.000	1.625 +.000 -.003	1.626 +.003 +.000	2.250 +.008 +.000	1.625 +.000 -.003	2.249 +.000 -.004	2.250 +.008 +.000	21.61
DSU31-1.75-37	1-3/4	2-3/8	3/8	.406 +.015 +.000	1.750 +.000 -.003	1.751 +.003 +.000	2.375 +.008 +.000	1.750 +.000 -.003	2.374 +.000 -.004	2.375 +.008 +.000	22.52
DSU31-1.75-50	1-3/4	2-3/8	1/2	.531 +.015 +.000	1.750 +.000 -.003	1.751 +.003 +.000	2.375 +.008 +.000	1.750 +.000 -.003	2.374 +.000 -.004	2.375 +.008 +.000	22.52
DSU31-1.87-37	1-7/8	2-1/2	3/8	.406 +.015 +.000	1.875 +.000 -.003	1.876 +.003 +.000	2.500 +.008 +.000	1.875 +.000 -.003	2.499 +.000 -.004	2.500 +.008 +.000	23.62
DSU31-1.87-50	1-7/8	2-1/2	1/2	.531 +.015 +.000	1.875 +.000 -.003	1.876 +.003 +.000	2.500 +.008 +.000	1.875 +.000 -.003	2.499 +.000 -.004	2.500 +.008 +.000	23.62
DSU31-2.00-25	2	2-5/8	1/4	.281 +.015 +.000	2.000 +.000 -.003	2.001 +.004 +.000	2.625 +.008 +.000	2.000 +.000 -.003	2.624 +.000 -.004	2.625 +.008 +.000	24.02
DSU31-2.00-31	2	2-5/8	5/16	.343 +.015 +.000	2.000 +.000 -.003	2.001 +.004 +.000	2.625 +.008 +.000	2.000 +.000 -.003	2.624 +.000 -.004	2.625 +.008 +.000	24.02
DSU31-2.00-37	2	2-5/8	3/8	.406 +.015 +.000	2.000 +.000 -.003	2.001 +.004 +.000	2.625 +.008 +.000	2.000 +.000 -.003	2.624 +.000 -.004	2.625 +.008 +.000	24.02
DSU31-2.12-37	2-1/8	2-3/4	3/8	.406 +.015 +.000	2.125 +.000 -.003	2.126 +.004 +.000	2.750 +.008 +.000	2.125 +.000 -.003	2.749 +.000 -.004	2.750 +.008 +.000	24.75
DSU31-2.25-25	2-1/4	2-7/8	1/4	.281 +.015 +.000	2.250 +.000 -.003	2.251 +.004 +.000	2.875 +.008 +.000	2.250 +.000 -.003	2.874 +.000 -.004	2.875 +.008 +.000	25.12
DSU31-2.25-37	2-1/4	2-7/8	3/8	.406 +.015 +.000	2.250 +.000 -.003	2.251 +.004 +.000	2.875 +.008 +.000	2.250 +.000 -.003	2.874 +.000 -.004	2.875 +.008 +.000	25.12
DSU31-2.25-50	2-1/4	2-7/8	1/2	.531 +.015 +.000	2.250 +.000 -.003	2.251 +.004 +.000	2.875 +.008 +.000	2.250 +.000 -.003	2.874 +.000 -.004	2.875 +.008 +.000	25.12
DSU31-2.37-37	2-3/8	3	3/8	.406 +.015 +.000	2.375 +.000 -.003	2.376 +.004 +.000	3.000 +.008 +.000	2.375 +.000 -.003	2.999 +.000 -.004	3.000 +.008 +.000	25.70
DSU31-2.37-50	2-3/8	3	1/2	.531 +.015 +.000	2.375 +.000 -.003	2.376 +.004 +.000	3.000 +.008 +.000	2.375 +.000 -.003	2.999 +.000 -.004	3.000 +.008 +.000	25.70
DSU31-2.50-37	2-1/2	3-1/8	3/8	.406 +.015 +.000	2.500 +.000 -.003	2.501 +.004 +.000	3.125 +.008 +.000	2.500 +.000 -.003	3.124 +.000 -.004	3.125 +.008 +.000	26.09



STYLE DSU HEAVY DUTY SYMMETRICAL U-SEALS

U-SEALS

Part Number	A Nom. ID	B Nom. OD	C Nom. Ht	D GROOVE WIDTH	E ROD DIAMETER	F THROAT DIAMETER	G HOUSING DIAMETER	H GROOVE DIAMETER	I PISTON DIAMETER	J BORE DIAMETER	List Price
DSU31-2.50-50	2-1/2	3-1/8	1/2	.531 +.015 +0.000	2.500 +.000 -.003	2.501 +.004 +0.000	3.125 +.008 +0.000	2.500 +.000 -.003	3.124 +.000 -.004	3.125 +.008 +0.000	26.09
DSU31-2.62-37	2-5/8	3-1/4	3/8	.406 +.015 +0.000	2.625 +.000 -.003	2.626 +.004 +0.000	3.250 +.009 +0.000	2.625 +.000 -.003	3.249 +.000 -.004	3.250 +.009 +0.000	26.96
DSU31-2.62-50	2-5/8	3-1/4	1/2	.531 +.015 +0.000	2.625 +.000 -.003	2.626 +.004 +0.000	3.250 +.009 +0.000	2.625 +.000 -.003	3.249 +.000 -.004	3.250 +.009 +0.000	26.96
DSU31-2.87-37	2-7/8	3-1/2	3/8	.406 +.015 +0.000	2.875 +.000 -.003	2.876 +.004 +0.000	3.500 +.009 +0.000	2.875 +.000 -.003	3.499 +.000 -.004	3.500 +.009 +0.000	27.07
DSU31-2.87-50	2-7/8	3-1/2	1/2	.531 +.015 +0.000	2.875 +.000 -.003	2.876 +.004 +0.000	3.500 +.009 +0.000	2.875 +.000 -.003	3.499 +.000 -.004	3.500 +.009 +0.000	30.78
DSU31-3.00-37	3	3-5/8	3/8	.406 +.015 +0.000	3.000 +.000 -.004	3.001 +.004 +0.000	3.625 +.009 +0.000	3.000 +.000 -.004	3.624 +.000 -.004	3.625 +.009 +0.000	31.62
DSU31-3.00-50	3	3-5/8	1/2	.531 +.015 +0.000	3.000 +.000 -.004	3.001 +.004 +0.000	3.625 +.009 +0.000	3.000 +.000 -.004	3.624 +.000 -.004	3.625 +.009 +0.000	31.62
DSU31-3.12-37	3-1/8	3-3/4	3/8	.406 +.015 +0.000	3.125 +.000 -.004	3.126 +.004 +0.000	3.750 +.009 +0.000	3.125 +.000 -.004	3.749 +.000 -.004	3.750 +.009 +0.000	33.10
DSU31-3.12-50	3-1/8	3-3/4	1/2	.531 +.015 +0.000	3.125 +.000 -.004	3.126 +.004 +0.000	3.750 +.009 +0.000	3.125 +.000 -.004	3.749 +.000 -.004	3.750 +.009 +0.000	33.10
DSU31-3.50-37	3-1/2	4-1/8	3/8	.406 +.015 +0.000	3.500 +.000 -.004	3.501 +.004 +0.000	4.125 +.009 +0.000	3.500 +.000 -.004	4.124 +.000 -.004	4.125 +.009 +0.000	34.00
DSU31-3.50-50	3-1/2	4-1/8	1/2	.531 +.015 +0.000	3.500 +.000 -.004	3.501 +.004 +0.000	4.125 +.009 +0.000	3.500 +.000 -.004	4.124 +.000 -.004	4.125 +.009 +0.000	34.00
DSU31-3.62-37	3-5/8	4-1/4	3/8	.406 +.015 +0.000	3.625 +.000 -.004	3.626 +.004 +0.000	4.250 +.009 +0.000	3.625 +.000 -.004	4.249 +.000 -.004	4.250 +.009 +0.000	35.94
DSU31-3.87-37	3-7/8	4-1/2	3/8	.406 +.015 +0.000	3.875 +.000 -.004	3.876 +.004 +0.000	4.500 +.009 +0.000	3.875 +.000 -.004	4.499 +.000 -.004	4.500 +.009 +0.000	39.65
DSU31-3.87-50	3-7/8	4-1/2	1/2	.531 +.015 +0.000	3.875 +.000 -.004	3.876 +.004 +0.000	4.500 +.009 +0.000	3.875 +.000 -.004	4.499 +.000 -.004	4.500 +.009 +0.000	39.65
DSU31-4.00-37	4	4-5/8	3/8	.406 +.015 +0.000	4.000 +.000 -.004	4.001 +.004 +0.000	4.625 +.009 +0.000	4.000 +.000 -.004	4.624 +.000 -.004	4.625 +.009 +0.000	40.38
DSU31-4.12-50	4-1/8	4-3/4	1/2	.531 +.015 +0.000	4.125 +.000 -.004	4.126 +.004 +0.000	4.750 +.009 +0.000	4.125 +.000 -.004	4.749 +.000 -.004	4.750 +.009 +0.000	43.33
DSU31-4.37-37	4-3/8	5	3/8	.406 +.015 +0.000	4.375 +.000 -.004	4.376 +.004 +0.000	5.000 +.010 +0.000	4.375 +.000 -.004	4.999 +.000 -.004	5.000 +.010 +0.000	50.62
DSU31-4.37-50	4-3/8	5	1/2	.531 +.015 +0.000	4.375 +.000 -.004	4.376 +.004 +0.000	5.000 +.010 +0.000	4.375 +.000 -.004	4.999 +.000 -.004	5.000 +.010 +0.000	50.62
DSU31-4.37-56	4-3/8	5	9/16	.594 +.015 +0.000	4.375 +.000 -.004	4.376 +.004 +0.000	5.000 +.010 +0.000	4.375 +.000 -.004	4.999 +.000 -.004	5.000 +.010 +0.000	50.62
DSU31-4.50-37	4-1/2	5-1/8	3/8	.406 +.015 +0.000	4.500 +.000 -.004	4.501 +.004 +0.000	5.125 +.010 +0.000	4.500 +.000 -.004	5.124 +.000 -.004	5.125 +.010 +0.000	54.37
DSU31-4.50-62	4-1/2	5-1/8	5/8	.656 +.015 +0.000	4.500 +.000 -.004	4.501 +.004 +0.000	5.125 +.010 +0.000	4.500 +.000 -.004	5.124 +.000 -.004	5.125 +.010 +0.000	54.37
DSU31-4.75-37	4-3/4	5-3/8	3/8	.406 +.015 +0.000	4.750 +.000 -.004	4.751 +.004 +0.000	5.375 +.010 +0.000	4.750 +.000 -.004	5.374 +.000 -.004	5.375 +.010 +0.000	54.37
DSU31-4.75-50	4-3/4	5-3/8	1/2	.531 +.015 +0.000	4.750 +.000 -.004	4.751 +.004 +0.000	5.375 +.010 +0.000	4.750 +.000 -.004	5.374 +.000 -.004	5.375 +.010 +0.000	54.37
DSU31-4.75-62	4-3/4	5-3/8	5/8	.656 +.015 +0.000	4.750 +.000 -.004	4.751 +.004 +0.000	5.375 +.010 +0.000	4.750 +.000 -.004	5.374 +.000 -.004	5.375 +.010 +0.000	72.00
DSU31-4.87-37	4-7/8	5-1/2	3/8	.406 +.015 +0.000	4.875 +.000 -.004	4.876 +.004 +0.000	5.500 +.010 +0.000	4.875 +.000 -.004	5.499 +.000 -.004	5.500 +.010 +0.000	54.91
DSU31-4.87-50	4-7/8	5-1/2	1/2	.531 +.015 +0.000	4.875 +.000 -.004	4.876 +.004 +0.000	5.500 +.010 +0.000	4.875 +.000 -.004	5.499 +.000 -.004	5.500 +.010 +0.000	54.91
DSU31-5.12-37	5-1/8	5-3/4	3/8	.406 +.015 +0.000	5.125 +.000 -.004	5.126 +.004 +0.000	5.750 +.010 +0.000	5.125 +.000 -.004	5.749 +.000 -.004	5.750 +.010 +0.000	55.67
DSU31-5.25-37	5-1/4	5-7/8	3/8	.406 +.015 +0.000	5.250 +.000 -.004	5.251 +.004 +0.000	5.875 +.010 +0.000	5.250 +.000 -.004	5.874 +.000 -.004	5.875 +.010 +0.000	57.89
DSU31-5.37-37	5-3/8	6	3/8	.406 +.015 +0.000	5.375 +.000 -.004	5.376 +.004 +0.000	6.000 +.010 +0.000	5.375 +.000 -.004	5.999 +.000 -.004	6.000 +.010 +0.000	59.41
DSU31-5.37-50	5-3/8	6	1/2	.531 +.015 +0.000	5.375 +.000 -.004	5.376 +.004 +0.000	6.000 +.010 +0.000	5.375 +.000 -.004	5.999 +.000 -.004	6.000 +.010 +0.000	66.42
DSU31-5.37-62	5-3/8	6	5/8	.656 +.015 +0.000	5.375 +.000 -.004	5.376 +.004 +0.000	6.000 +.010 +0.000	5.375 +.000 -.004	5.999 +.000 -.004	6.000 +.010 +0.000	66.17
DSU31-5.50-37	5-1/2	6-1/8	3/8	.406 +.015 +0.000	5.500 +.000 -.004	5.501 +.004 +0.000	6.125 +.010 +0.000	5.500 +.000 -.004	6.124 +.000 -.004	6.125 +.010 +0.000	72.37
DSU31-5.62-50	5-5/8	6-1/4	1/2	.531 +.015 +0.000	5.625 +.000 -.004	5.626 +.004 +0.000	6.250 +.010 +0.000	5.625 +.000 -.004	6.249 +.000 -.004	6.250 +.010 +0.000	72.36

STYLE DSU HEAVY DUTY SYMMETRICAL U-SEALS



U-SEALS

Part Number	A Nom. ID	B Nom. OD	C Nom. Ht	D GROOVE WIDTH	E ROD DIAMETER	F THROAT DIAMETER	G HOUSING DIAMETER	H GROOVE DIAMETER	I PISTON DIAMETER	J BORE DIAMETER	List Price
DSU31-5.87-37	5-7/8	6-1/2	3/8	.406 ^{+0.015} / _{+0.000}	5.875 ^{+0.000} / _{-0.004}	5.876 ^{+0.004} / _{+0.000}	6.500 ^{+0.010} / _{+0.000}	5.875 ^{+0.000} / _{-0.004}	6.499 ^{+0.000} / _{-0.004}	6.500 ^{+0.010} / _{+0.000}	72.47
3/8" C/S											
DSU37-1.25-37	1-1/4	2	3/8	.406 ^{+0.015} / _{+0.000}	1.250 ^{+0.000} / _{-0.003}	1.251 ^{+0.003} / _{+0.000}	2.000 ^{+0.008} / _{+0.000}	1.250 ^{+0.000} / _{-0.003}	1.999 ^{+0.000} / _{-0.003}	2.000 ^{+0.008} / _{+0.000}	\$ 17.93
DSU37-1.25-43	1-1/4	2	7/16	.468 ^{+0.015} / _{+0.000}	1.250 ^{+0.000} / _{-0.003}	1.251 ^{+0.003} / _{+0.000}	2.000 ^{+0.008} / _{+0.000}	1.250 ^{+0.000} / _{-0.003}	1.999 ^{+0.000} / _{-0.003}	2.000 ^{+0.008} / _{+0.000}	17.93
DSU37-1.25-50	1-1/4	2	1/2	.531 ^{+0.015} / _{+0.000}	1.250 ^{+0.000} / _{-0.003}	1.251 ^{+0.003} / _{+0.000}	2.000 ^{+0.008} / _{+0.000}	1.250 ^{+0.000} / _{-0.003}	1.999 ^{+0.000} / _{-0.003}	2.000 ^{+0.008} / _{+0.000}	17.93
DSU37-1.50-37	1-1/2	2-1/4	3/8	.406 ^{+0.015} / _{+0.000}	1.500 ^{+0.000} / _{-0.003}	1.501 ^{+0.003} / _{+0.000}	2.250 ^{+0.008} / _{+0.000}	1.500 ^{+0.000} / _{-0.003}	2.249 ^{+0.000} / _{-0.004}	2.250 ^{+0.008} / _{+0.000}	21.61
DSU37-1.50-50	1-1/2	2-1/4	1/2	.531 ^{+0.015} / _{+0.000}	1.500 ^{+0.000} / _{-0.003}	1.501 ^{+0.003} / _{+0.000}	2.250 ^{+0.008} / _{+0.000}	1.500 ^{+0.000} / _{-0.003}	2.249 ^{+0.000} / _{-0.004}	2.250 ^{+0.008} / _{+0.000}	28.54
DSU37-1.62-37	1-5/8	2-3/8	3/8	.406 ^{+0.015} / _{+0.000}	1.625 ^{+0.000} / _{-0.003}	1.626 ^{+0.003} / _{+0.000}	2.375 ^{+0.008} / _{+0.000}	1.625 ^{+0.000} / _{-0.003}	2.374 ^{+0.000} / _{-0.004}	2.375 ^{+0.008} / _{+0.000}	22.52
DSU37-1.62-50	1-5/8	2-3/8	1/2	.531 ^{+0.015} / _{+0.000}	1.625 ^{+0.000} / _{-0.003}	1.626 ^{+0.003} / _{+0.000}	2.375 ^{+0.008} / _{+0.000}	1.625 ^{+0.000} / _{-0.003}	2.374 ^{+0.000} / _{-0.004}	2.375 ^{+0.008} / _{+0.000}	22.52
DSU37-1.75-37	1-3/4	2-1/2	3/8	.406 ^{+0.015} / _{+0.000}	1.750 ^{+0.000} / _{-0.003}	1.751 ^{+0.003} / _{+0.000}	2.500 ^{+0.008} / _{+0.000}	1.750 ^{+0.000} / _{-0.003}	2.499 ^{+0.000} / _{-0.004}	2.500 ^{+0.008} / _{+0.000}	23.62
DSU37-1.75-62	1-3/4	2-1/2	5/8	.656 ^{+0.015} / _{+0.000}	1.750 ^{+0.000} / _{-0.003}	1.751 ^{+0.003} / _{+0.000}	2.500 ^{+0.008} / _{+0.000}	1.750 ^{+0.000} / _{-0.003}	2.499 ^{+0.000} / _{-0.004}	2.500 ^{+0.008} / _{+0.000}	23.62
DSU37-2.00-37	2	2-3/4	3/8	.406 ^{+0.015} / _{+0.000}	2.000 ^{+0.000} / _{-0.003}	2.001 ^{+0.004} / _{+0.000}	2.750 ^{+0.008} / _{+0.000}	2.000 ^{+0.000} / _{-0.003}	2.749 ^{+0.000} / _{-0.004}	2.750 ^{+0.008} / _{+0.000}	29.21
DSU37-2.00-50	2	2-3/4	1/2	.531 ^{+0.015} / _{+0.000}	2.000 ^{+0.000} / _{-0.003}	2.001 ^{+0.004} / _{+0.000}	2.750 ^{+0.008} / _{+0.000}	2.000 ^{+0.000} / _{-0.003}	2.749 ^{+0.000} / _{-0.004}	2.750 ^{+0.008} / _{+0.000}	29.21
DSU37-2.25-37	2-1/4	3	3/8	.406 ^{+0.015} / _{+0.000}	2.250 ^{+0.000} / _{-0.003}	2.251 ^{+0.004} / _{+0.000}	3.000 ^{+0.008} / _{+0.000}	2.250 ^{+0.000} / _{-0.003}	2.999 ^{+0.000} / _{-0.004}	3.000 ^{+0.008} / _{+0.000}	30.64
DSU37-2.25-50	2-1/4	3	1/2	.531 ^{+0.015} / _{+0.000}	2.250 ^{+0.000} / _{-0.003}	2.251 ^{+0.004} / _{+0.000}	3.000 ^{+0.008} / _{+0.000}	2.250 ^{+0.000} / _{-0.003}	2.999 ^{+0.000} / _{-0.004}	3.000 ^{+0.008} / _{+0.000}	30.64
DSU37-2.25-62	2-1/4	3	5/8	.656 ^{+0.015} / _{+0.000}	2.250 ^{+0.000} / _{-0.003}	2.251 ^{+0.004} / _{+0.000}	3.000 ^{+0.008} / _{+0.000}	2.250 ^{+0.000} / _{-0.003}	2.999 ^{+0.000} / _{-0.004}	3.000 ^{+0.008} / _{+0.000}	30.64
DSU37-2.50-37	2-1/2	3-1/4	3/8	.406 ^{+0.015} / _{+0.000}	2.500 ^{+0.000} / _{-0.003}	2.501 ^{+0.004} / _{+0.000}	3.250 ^{+0.009} / _{+0.000}	2.500 ^{+0.000} / _{-0.003}	3.249 ^{+0.000} / _{-0.004}	3.250 ^{+0.009} / _{+0.000}	31.09
DSU37-2.50-50	2-1/2	3-1/4	1/2	.531 ^{+0.015} / _{+0.000}	2.500 ^{+0.000} / _{-0.003}	2.501 ^{+0.004} / _{+0.000}	3.250 ^{+0.009} / _{+0.000}	2.500 ^{+0.000} / _{-0.003}	3.249 ^{+0.000} / _{-0.004}	3.250 ^{+0.009} / _{+0.000}	31.09
DSU37-2.50-62	2-1/2	3-1/4	5/8	.656 ^{+0.015} / _{+0.000}	2.500 ^{+0.000} / _{-0.003}	2.501 ^{+0.004} / _{+0.000}	3.250 ^{+0.009} / _{+0.000}	2.500 ^{+0.000} / _{-0.003}	3.249 ^{+0.000} / _{-0.004}	3.250 ^{+0.009} / _{+0.000}	31.09
DSU37-2.62-37	2-5/8	3-3/8	3/8	.406 ^{+0.015} / _{+0.000}	2.625 ^{+0.000} / _{-0.003}	2.626 ^{+0.004} / _{+0.000}	3.375 ^{+0.009} / _{+0.000}	2.625 ^{+0.000} / _{-0.003}	3.374 ^{+0.000} / _{-0.004}	3.375 ^{+0.009} / _{+0.000}	32.46
DSU37-2.62-62	2-5/8	3-3/8	5/8	.656 ^{+0.015} / _{+0.000}	2.625 ^{+0.000} / _{-0.003}	2.626 ^{+0.004} / _{+0.000}	3.375 ^{+0.009} / _{+0.000}	2.625 ^{+0.000} / _{-0.003}	3.374 ^{+0.000} / _{-0.004}	3.375 ^{+0.009} / _{+0.000}	32.46
DSU37-2.75-37	2-3/4	3-1/2	3/8	.406 ^{+0.015} / _{+0.000}	2.750 ^{+0.000} / _{-0.003}	2.751 ^{+0.004} / _{+0.000}	3.500 ^{+0.009} / _{+0.000}	2.750 ^{+0.000} / _{-0.003}	3.499 ^{+0.000} / _{-0.004}	3.500 ^{+0.009} / _{+0.000}	33.40
DSU37-2.75-50	2-3/4	3-1/2	1/2	.531 ^{+0.015} / _{+0.000}	2.750 ^{+0.000} / _{-0.003}	2.751 ^{+0.004} / _{+0.000}	3.500 ^{+0.009} / _{+0.000}	2.750 ^{+0.000} / _{-0.003}	3.499 ^{+0.000} / _{-0.004}	3.500 ^{+0.009} / _{+0.000}	33.40
DSU37-2.75-62	2-3/4	3-1/2	5/8	.656 ^{+0.015} / _{+0.000}	2.750 ^{+0.000} / _{-0.003}	2.751 ^{+0.004} / _{+0.000}	3.500 ^{+0.009} / _{+0.000}	2.750 ^{+0.000} / _{-0.003}	3.499 ^{+0.000} / _{-0.004}	3.500 ^{+0.009} / _{+0.000}	33.40
DSU37-3.00-37	3	3-3/4	3/8	.406 ^{+0.015} / _{+0.000}	3.000 ^{+0.000} / _{-0.004}	3.001 ^{+0.004} / _{+0.000}	3.750 ^{+0.009} / _{+0.000}	3.000 ^{+0.000} / _{-0.004}	3.749 ^{+0.000} / _{-0.004}	3.750 ^{+0.009} / _{+0.000}	34.63
DSU37-3.00-50	3	3-3/4	1/2	.531 ^{+0.015} / _{+0.000}	3.000 ^{+0.000} / _{-0.004}	3.001 ^{+0.004} / _{+0.000}	3.750 ^{+0.009} / _{+0.000}	3.000 ^{+0.000} / _{-0.004}	3.749 ^{+0.000} / _{-0.004}	3.750 ^{+0.009} / _{+0.000}	34.63
DSU37-3.00-62	3	3-3/4	5/8	.656 ^{+0.015} / _{+0.000}	3.000 ^{+0.000} / _{-0.004}	3.001 ^{+0.004} / _{+0.000}	3.750 ^{+0.009} / _{+0.000}	3.000 ^{+0.000} / _{-0.004}	3.749 ^{+0.000} / _{-0.004}	3.750 ^{+0.009} / _{+0.000}	34.63
DSU37-3.25-37	3-1/4	4	3/8	.406 ^{+0.015} / _{+0.000}	3.250 ^{+0.000} / _{-0.004}	3.251 ^{+0.004} / _{+0.000}	4.000 ^{+0.009} / _{+0.000}	3.250 ^{+0.000} / _{-0.004}	3.999 ^{+0.000} / _{-0.004}	4.000 ^{+0.009} / _{+0.000}	36.48
DSU37-3.25-50	3-1/4	4	1/2	.531 ^{+0.015} / _{+0.000}	3.250 ^{+0.000} / _{-0.004}	3.251 ^{+0.004} / _{+0.000}	4.000 ^{+0.009} / _{+0.000}	3.250 ^{+0.000} / _{-0.004}	3.999 ^{+0.000} / _{-0.004}	4.000 ^{+0.009} / _{+0.000}	36.48
DSU37-3.25-62	3-1/4	4	5/8	.656 ^{+0.015} / _{+0.000}	3.250 ^{+0.000} / _{-0.004}	3.251 ^{+0.004} / _{+0.000}	4.000 ^{+0.009} / _{+0.000}	3.250 ^{+0.000} / _{-0.004}	3.999 ^{+0.000} / _{-0.004}	4.000 ^{+0.009} / _{+0.000}	36.48
DSU37-3.50-37	3-1/2	4-1/4	3/8	.406 ^{+0.015} / _{+0.000}	3.500 ^{+0.000} / _{-0.004}	3.501 ^{+0.004} / _{+0.000}	4.250 ^{+0.009} / _{+0.000}	3.500 ^{+0.000} / _{-0.004}	4.249 ^{+0.000} / _{-0.004}	4.250 ^{+0.009} / _{+0.000}	36.48
DSU37-3.50-50	3-1/2	4-1/4	1/2	.531 ^{+0.015} / _{+0.000}	3.500 ^{+0.000} / _{-0.004}	3.501 ^{+0.004} / _{+0.000}	4.250 ^{+0.009} / _{+0.000}	3.500 ^{+0.000} / _{-0.004}	4.249 ^{+0.000} / _{-0.004}	4.250 ^{+0.009} / _{+0.000}	36.48
DSU37-3.50-62	3-1/2	4-1/4	5/8	.656 ^{+0.015} / _{+0.000}	3.500 ^{+0.000} / _{-0.004}	3.501 ^{+0.004} / _{+0.000}	4.250 ^{+0.009} / _{+0.000}	3.500 ^{+0.000} / _{-0.004}	4.249 ^{+0.000} / _{-0.004}	4.250 ^{+0.009} / _{+0.000}	88.13



STYLE DSU HEAVY DUTY SYMMETRICAL U-SEALS

U-SEALS

Part Number	A Nom. ID	B Nom. OD	C Nom. Ht	D GROOVE WIDTH	E ROD DIAMETER	F THROAT DIAMETER	G HOUSING DIAMETER	H GROOVE DIAMETER	I PISTON DIAMETER	J BORE DIAMETER	List Price
DSU37-3.75-37	3-3/4	4-1/2	3/8	.406 +0.015 +0.000	3.750 +0.000 -0.004	3.751 +0.004 +0.000	4.500 +0.009 +0.000	3.750 +0.000 -0.004	4.499 +0.000 -0.004	4.500 +0.009 +0.000	42.28
DSU37-3.75-50	3-3/4	4-1/2	1/2	.531 +0.015 +0.000	3.750 +0.000 -0.004	3.751 +0.004 +0.000	4.500 +0.009 +0.000	3.750 +0.000 -0.004	4.499 +0.000 -0.004	4.500 +0.009 +0.000	42.28
DSU37-3.75-62	3-3/4	4-1/2	5/8	.656 +0.015 +0.000	3.750 +0.000 -0.004	3.751 +0.004 +0.000	4.500 +0.009 +0.000	3.750 +0.000 -0.004	4.499 +0.000 -0.004	4.500 +0.009 +0.000	42.28
DSU37-4.00-37	4	4-3/4	3/8	.406 +0.015 +0.000	4.000 +0.000 -0.004	4.001 +0.004 +0.000	4.750 +0.009 +0.000	4.000 +0.000 -0.004	4.749 +0.000 -0.004	4.750 +0.009 +0.000	45.84
DSU37-4.00-50	4	4-3/4	1/2	.531 +0.015 +0.000	4.000 +0.000 -0.004	4.001 +0.004 +0.000	4.750 +0.009 +0.000	4.000 +0.000 -0.004	4.749 +0.000 -0.004	4.750 +0.009 +0.000	45.84
DSU37-4.00-62	4	4-3/4	5/8	.656 +0.015 +0.000	4.000 +0.000 -0.004	4.001 +0.004 +0.000	4.750 +0.009 +0.000	4.000 +0.000 -0.004	4.749 +0.000 -0.004	4.750 +0.009 +0.000	45.84
DSU37-4.12-62	4-1/8	4-7/8	5/8	.656 +0.015 +0.000	4.125 +0.000 -0.004	4.126 +0.004 +0.000	4.875 +0.009 +0.000	4.125 +0.000 -0.004	4.874 +0.000 -0.004	4.875 +0.009 +0.000	46.63
DSU37-4.25-37	4-1/4	5	3/8	.406 +0.015 +0.000	4.250 +0.000 -0.004	4.251 +0.004 +0.000	5.000 +0.010 +0.000	4.250 +0.000 -0.004	4.999 +0.000 -0.004	5.000 +0.010 +0.000	46.63
DSU37-4.25-50	4-1/4	5	1/2	.531 +0.015 +0.000	4.250 +0.000 -0.004	4.251 +0.004 +0.000	5.000 +0.010 +0.000	4.250 +0.000 -0.004	4.999 +0.000 -0.004	5.000 +0.010 +0.000	46.63
DSU37-4.25-62	4-1/4	5	5/8	.656 +0.015 +0.000	4.250 +0.000 -0.004	4.251 +0.004 +0.000	5.000 +0.010 +0.000	4.250 +0.000 -0.004	4.999 +0.000 -0.004	5.000 +0.010 +0.000	61.29
DSU37-4.50-50	4-1/2	5-1/4	1/2	.531 +0.015 +0.000	4.500 +0.000 -0.004	4.501 +0.004 +0.000	5.250 +0.010 +0.000	4.500 +0.000 -0.004	5.249 +0.000 -0.004	5.250 +0.010 +0.000	48.14
DSU37-4.50-62	4-1/2	5-1/4	5/8	.656 +0.015 +0.000	4.500 +0.000 -0.004	4.501 +0.004 +0.000	5.250 +0.010 +0.000	4.500 +0.000 -0.004	5.249 +0.000 -0.004	5.250 +0.010 +0.000	48.14
DSU37-4.62-50	4-5/8	5-3/8	1/2	.531 +0.015 +0.000	4.625 +0.000 -0.004	4.626 +0.004 +0.000	5.375 +0.010 +0.000	4.625 +0.000 -0.004	5.374 +0.000 -0.004	5.375 +0.010 +0.000	49.93
DSU37-4.75-50	4-3/4	5-1/2	1/2	.531 +0.015 +0.000	4.750 +0.000 -0.004	4.751 +0.004 +0.000	5.500 +0.010 +0.000	4.750 +0.000 -0.004	5.499 +0.000 -0.004	5.500 +0.010 +0.000	51.43
DSU37-4.75-62	4-3/4	5-1/2	5/8	.656 +0.015 +0.000	4.750 +0.000 -0.004	4.751 +0.004 +0.000	5.500 +0.010 +0.000	4.750 +0.000 -0.004	5.499 +0.000 -0.004	5.500 +0.010 +0.000	51.43
DSU37-4.87-50	4-7/8	5-5/8	1/2	.531 +0.015 +0.000	4.875 +0.000 -0.004	4.876 +0.004 +0.000	5.625 +0.010 +0.000	4.875 +0.000 -0.004	5.624 +0.000 -0.004	5.625 +0.010 +0.000	56.37
DSU37-5.25-37	5-1/4	6	3/8	.406 +0.015 +0.000	5.250 +0.000 -0.004	5.251 +0.004 +0.000	6.000 +0.010 +0.000	5.250 +0.000 -0.004	5.999 +0.000 -0.004	6.000 +0.010 +0.000	59.41
DSU37-5.25-50	5-1/4	6	1/2	.531 +0.015 +0.000	5.250 +0.000 -0.004	5.251 +0.004 +0.000	6.000 +0.010 +0.000	5.250 +0.000 -0.004	5.999 +0.000 -0.004	6.000 +0.010 +0.000	59.41
DSU37-5.25-62	5-1/4	6	5/8	.656 +0.015 +0.000	5.250 +0.000 -0.004	5.251 +0.004 +0.000	6.000 +0.010 +0.000	5.250 +0.000 -0.004	5.999 +0.000 -0.004	6.000 +0.010 +0.000	59.41
DSU37-5.37-50	5-3/8	6-1/8	1/2	.531 +0.015 +0.000	5.375 +0.000 -0.004	5.376 +0.004 +0.000	6.125 +0.010 +0.000	5.375 +0.000 -0.004	6.124 +0.000 -0.004	6.125 +0.010 +0.000	60.50
DSU37-5.50-37	5-1/2	6-1/4	3/8	.406 +0.015 +0.000	5.500 +0.000 -0.004	5.501 +0.004 +0.000	6.250 +0.010 +0.000	5.500 +0.000 -0.004	6.249 +0.000 -0.004	6.250 +0.010 +0.000	65.22
DSU37-5.50-50	5-1/2	6-1/4	1/2	.531 +0.015 +0.000	5.500 +0.000 -0.004	5.501 +0.004 +0.000	6.250 +0.010 +0.000	5.500 +0.000 -0.004	6.249 +0.000 -0.004	6.250 +0.010 +0.000	65.22
DSU37-5.62-62	5-5/8	6-3/8	5/8	.656 +0.015 +0.000	5.625 +0.000 -0.004	5.626 +0.004 +0.000	6.375 +0.010 +0.000	5.625 +0.000 -0.004	6.374 +0.000 -0.004	6.375 +0.010 +0.000	68.18
DSU37-5.75-50	5-3/4	6-1/2	1/2	.531 +0.015 +0.000	5.750 +0.000 -0.004	5.751 +0.004 +0.000	6.500 +0.010 +0.000	5.750 +0.000 -0.004	6.499 +0.000 -0.004	6.500 +0.010 +0.000	71.90
DSU37-5.75-62	5-3/4	6-1/2	5/8	.656 +0.015 +0.000	5.750 +0.000 -0.004	5.751 +0.004 +0.000	6.500 +0.010 +0.000	5.750 +0.000 -0.004	6.499 +0.000 -0.004	6.500 +0.010 +0.000	85.53
DSU37-6.25-50	6-1/4	7	1/2	.531 +0.015 +0.000	6.250 +0.000 -0.004	6.251 +0.004 +0.000	7.000 +0.011 +0.000	6.250 +0.000 -0.004	6.999 +0.000 -0.004	7.000 +0.011 +0.000	88.89
DSU37-6.25-62	6-1/4	7	5/8	.656 +0.015 +0.000	6.250 +0.000 -0.004	6.251 +0.004 +0.000	7.000 +0.011 +0.000	6.250 +0.000 -0.004	6.999 +0.000 -0.004	7.000 +0.011 +0.000	88.89
DSU37-6.50-50	6-1/2	7-1/4	1/2	.531 +0.015 +0.000	6.500 +0.000 -0.004	6.501 +0.004 +0.000	7.250 +0.011 +0.000	6.500 +0.000 -0.004	7.249 +0.000 -0.004	7.250 +0.011 +0.000	97.86
DSU37-6.50-62	6-1/2	7-1/4	5/8	.656 +0.015 +0.000	6.500 +0.000 -0.004	6.501 +0.004 +0.000	7.250 +0.011 +0.000	6.500 +0.000 -0.004	7.249 +0.000 -0.004	7.250 +0.011 +0.000	97.87
DSU37-6.75-50	6-3/4	7-1/2	1/2	.531 +0.015 +0.000	6.750 +0.000 -0.004	6.751 +0.004 +0.000	7.500 +0.011 +0.000	6.750 +0.000 -0.004	7.499 +0.000 -0.004	7.500 +0.011 +0.000	100.63
DSU37-7.00-50	7	7-3/4	1/2	.531 +0.015 +0.000	7.000 +0.000 -0.005	7.001 +0.004 +0.000	7.750 +0.011 +0.000	7.000 +0.000 -0.005	7.749 +0.000 -0.004	7.750 +0.011 +0.000	104.43
DSU37-7.00-62	7	7-3/4	5/8	.656 +0.015 +0.000	7.000 +0.000 -0.005	7.001 +0.004 +0.000	7.750 +0.011 +0.000	7.000 +0.000 -0.005	7.749 +0.000 -0.004	7.750 +0.011 +0.000	109.71
DSU37-7.25-50	7-1/4	8	1/2	.531 +0.015 +0.000	7.250 +0.000 -0.005	7.251 +0.004 +0.000	8.000 +0.011 +0.000	7.250 +0.000 -0.005	7.999 +0.000 -0.004	8.000 +0.011 +0.000	113.43

STYLE DSU HEAVY DUTY SYMMETRICAL U-SEALS



U-SEALS

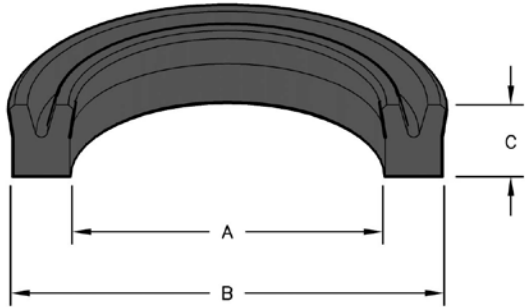
Part Number	A Nom. ID	B Nom. OD	C Nom. Ht	D GROOVE WIDTH	E ROD DIAMETER	F THROAT DIAMETER	G HOUSING DIAMETER	H GROOVE DIAMETER	I PISTON DIAMETER	J BORE DIAMETER	List Price
DSU37-7.75-50	7-3/4	8-1/2	1/2	.531 ⁺⁰¹⁵ / ₊₀₀₀	7.750 ⁺⁰⁰⁰ / ₋₀₀₅	7.751 ⁺⁰⁰⁴ / ₊₀₀₀	8.500 ⁺⁰¹¹ / ₊₀₀₀	7.750 ⁺⁰⁰⁰ / ₋₀₀₅	8.499 ⁺⁰⁰⁰ / ₋₀₀₄	8.500 ⁺⁰¹¹ / ₊₀₀₀	118.54
DSU37-8.25-50	8-1/4	9	1/2	.531 ⁺⁰¹⁵ / ₊₀₀₀	8.250 ⁺⁰⁰⁰ / ₋₀₀₅	8.251 ⁺⁰⁰⁴ / ₊₀₀₀	9.000 ⁺⁰¹² / ₊₀₀₀	8.250 ⁺⁰⁰⁰ / ₋₀₀₅	8.999 ⁺⁰⁰⁰ / ₋₀₀₄	9.000 ⁺⁰¹² / ₊₀₀₀	163.27
DSU37-8.50-62	8-1/2	9-1/4	5/8	.656 ⁺⁰¹⁵ / ₊₀₀₀	8.500 ⁺⁰⁰⁰ / ₋₀₀₅	8.501 ⁺⁰⁰⁴ / ₊₀₀₀	9.250 ⁺⁰¹² / ₊₀₀₀	8.500 ⁺⁰⁰⁰ / ₋₀₀₅	9.249 ⁺⁰⁰⁰ / ₋₀₀₄	9.250 ⁺⁰¹² / ₊₀₀₀	172.24
1/2" C/S											
DSU50-1.87-62	1-7/8	2-7/8	5/8	.656 ⁺⁰¹⁵ / ₊₀₀₀	1.875 ⁺⁰⁰⁰ / ₋₀₀₃	1.876 ⁺⁰⁰³ / ₊₀₀₀	2.875 ⁺⁰⁰⁸ / ₊₀₀₀	1.875 ⁺⁰⁰⁰ / ₋₀₀₃	2.874 ⁺⁰⁰⁰ / ₋₀₀₄	2.875 ⁺⁰⁰⁸ / ₊₀₀₀	\$41.51
DSU50-2.50-68	2-1/2	3-1/2	11/16	.718 ⁺⁰¹⁵ / ₊₀₀₀	2.500 ⁺⁰⁰⁰ / ₋₀₀₃	2.501 ⁺⁰⁰⁴ / ₊₀₀₀	3.500 ⁺⁰⁰⁹ / ₊₀₀₀	2.500 ⁺⁰⁰⁰ / ₋₀₀₃	3.499 ⁺⁰⁰⁰ / ₋₀₀₄	3.500 ⁺⁰⁰⁹ / ₊₀₀₀	74.09
DSU50-3.00-62	3	4	.656 ±015	.687 ⁺⁰¹⁵ / ₊₀₀₀	3.000 ⁺⁰⁰⁰ / ₋₀₀₄	3.001 ⁺⁰⁰⁴ / ₊₀₀₀	4.000 ⁺⁰⁰⁹ / ₊₀₀₀	3.000 ⁺⁰⁰⁰ / ₋₀₀₄	3.999 ⁺⁰⁰⁰ / ₋₀₀₄	4.000 ⁺⁰⁰⁹ / ₊₀₀₀	63.14
DSU50-3.50-50	3-1/2	4-1/2	1/2	.531 ⁺⁰¹⁵ / ₊₀₀₀	3.500 ⁺⁰⁰⁰ / ₋₀₀₄	3.501 ⁺⁰⁰⁴ / ₊₀₀₀	4.500 ⁺⁰⁰⁹ / ₊₀₀₀	3.500 ⁺⁰⁰⁰ / ₋₀₀₄	4.499 ⁺⁰⁰⁰ / ₋₀₀₄	4.500 ⁺⁰⁰⁹ / ₊₀₀₀	38.50
DSU50-3.50-62	3-1/2	4-1/2	5/8	.656 ⁺⁰¹⁵ / ₊₀₀₀	3.500 ⁺⁰⁰⁰ / ₋₀₀₄	3.501 ⁺⁰⁰⁴ / ₊₀₀₀	4.500 ⁺⁰⁰⁹ / ₊₀₀₀	3.500 ⁺⁰⁰⁰ / ₋₀₀₄	4.499 ⁺⁰⁰⁰ / ₋₀₀₄	4.500 ⁺⁰⁰⁹ / ₊₀₀₀	38.50
DSU50-6.00-62	6	7	5/8	.656 ⁺⁰¹⁵ / ₊₀₀₀	6.000 ⁺⁰⁰⁰ / ₋₀₀₄	6.001 ⁺⁰⁰⁴ / ₊₀₀₀	7.000 ⁺⁰¹¹ / ₊₀₀₀	6.000 ⁺⁰⁰⁰ / ₋₀₀₄	6.999 ⁺⁰⁰⁰ / ₋₀₀₄	7.000 ⁺⁰¹¹ / ₊₀₀₀	90.83
DSU50-6.00-75	6	7	3/4	.781 ⁺⁰¹⁵ / ₊₀₀₀	6.000 ⁺⁰⁰⁰ / ₋₀₀₄	6.001 ⁺⁰⁰⁴ / ₊₀₀₀	7.000 ⁺⁰¹¹ / ₊₀₀₀	6.000 ⁺⁰⁰⁰ / ₋₀₀₄	6.999 ⁺⁰⁰⁰ / ₋₀₀₄	7.000 ⁺⁰¹¹ / ₊₀₀₀	108.10
DSU50-6.50-75	6-1/2	7-1/2	3/4	.781 ⁺⁰¹⁵ / ₊₀₀₀	6.500 ⁺⁰⁰⁰ / ₋₀₀₄	6.501 ⁺⁰⁰⁴ / ₊₀₀₀	7.500 ⁺⁰¹¹ / ₊₀₀₀	6.500 ⁺⁰⁰⁰ / ₋₀₀₄	7.499 ⁺⁰⁰⁰ / ₋₀₀₄	7.500 ⁺⁰¹¹ / ₊₀₀₀	112.36
DSU50-7.00-62	7	8	5/8	.656 ⁺⁰¹⁵ / ₊₀₀₀	7.000 ⁺⁰⁰⁰ / ₋₀₀₅	7.001 ⁺⁰⁰⁴ / ₊₀₀₀	8.000 ⁺⁰¹¹ / ₊₀₀₀	7.000 ⁺⁰⁰⁰ / ₋₀₀₅	7.999 ⁺⁰⁰⁰ / ₋₀₀₄	8.000 ⁺⁰¹¹ / ₊₀₀₀	118.60
DSU50-7.00-75	7	8	3/4	.781 ⁺⁰¹⁵ / ₊₀₀₀	7.000 ⁺⁰⁰⁰ / ₋₀₀₅	7.001 ⁺⁰⁰⁴ / ₊₀₀₀	8.000 ⁺⁰¹¹ / ₊₀₀₀	7.000 ⁺⁰⁰⁰ / ₋₀₀₅	7.999 ⁺⁰⁰⁰ / ₋₀₀₄	8.000 ⁺⁰¹¹ / ₊₀₀₀	147.28
DSU50-7.50-75	7-1/2	8-1/2	3/4	.781 ⁺⁰¹⁵ / ₊₀₀₀	7.500 ⁺⁰⁰⁰ / ₋₀₀₅	7.501 ⁺⁰⁰⁴ / ₊₀₀₀	8.500 ⁺⁰¹¹ / ₊₀₀₀	7.500 ⁺⁰⁰⁰ / ₋₀₀₅	8.499 ⁺⁰⁰⁰ / ₋₀₀₄	8.500 ⁺⁰¹¹ / ₊₀₀₀	121.95
DSU50-7.75-75	7-3/4	8-3/4	3/4	.781 ⁺⁰¹⁵ / ₊₀₀₀	7.750 ⁺⁰⁰⁰ / ₋₀₀₅	7.751 ⁺⁰⁰⁴ / ₊₀₀₀	8.750 ⁺⁰¹¹ / ₊₀₀₀	7.750 ⁺⁰⁰⁰ / ₋₀₀₅	8.749 ⁺⁰⁰⁰ / ₋₀₀₄	8.750 ⁺⁰¹¹ / ₊₀₀₀	139.59
DSU50-8.00-62	8	9	5/8	.656 ⁺⁰¹⁵ / ₊₀₀₀	8.000 ⁺⁰⁰⁰ / ₋₀₀₅	8.001 ⁺⁰⁰⁴ / ₊₀₀₀	9.000 ⁺⁰¹² / ₊₀₀₀	8.000 ⁺⁰⁰⁰ / ₋₀₀₅	8.999 ⁺⁰⁰⁰ / ₋₀₀₄	9.000 ⁺⁰¹² / ₊₀₀₀	144.58
DSU50-8.00-75	8	9	3/4	.781 ⁺⁰¹⁵ / ₊₀₀₀	8.000 ⁺⁰⁰⁰ / ₋₀₀₅	8.001 ⁺⁰⁰⁴ / ₊₀₀₀	9.000 ⁺⁰¹² / ₊₀₀₀	8.000 ⁺⁰⁰⁰ / ₋₀₀₅	8.999 ⁺⁰⁰⁰ / ₋₀₀₄	9.000 ⁺⁰¹² / ₊₀₀₀	162.93
DSU50-9.00-62	9	10	5/8	.656 ⁺⁰¹⁵ / ₊₀₀₀	9.000 ⁺⁰⁰⁰ / ₋₀₀₅	9.001 ⁺⁰⁰⁴ / ₊₀₀₀	10.000 ⁺⁰¹² / ₊₀₀₀	9.000 ⁺⁰⁰⁰ / ₋₀₀₅	9.999 ⁺⁰⁰⁰ / ₋₀₀₄	10.000 ⁺⁰¹² / ₊₀₀₀	191.02
DSU50-9.00-75	9	10	3/4	.781 ⁺⁰¹⁵ / ₊₀₀₀	9.000 ⁺⁰⁰⁰ / ₋₀₀₅	9.001 ⁺⁰⁰⁴ / ₊₀₀₀	10.000 ⁺⁰¹² / ₊₀₀₀	9.000 ⁺⁰⁰⁰ / ₋₀₀₅	9.999 ⁺⁰⁰⁰ / ₋₀₀₄	10.000 ⁺⁰¹² / ₊₀₀₀	191.02
DSU50-10.00-75	10	11	3/4	.781 ⁺⁰¹⁵ / ₊₀₀₀	10.000 ⁺⁰⁰⁰ / ₋₀₀₆	10.001 ⁺⁰⁰⁴ / ₊₀₀₀	11.000 ⁺⁰¹² / ₊₀₀₀	10.000 ⁺⁰⁰⁰ / ₋₀₀₆	10.999 ⁺⁰⁰⁰ / ₋₀₀₄	11.000 ⁺⁰¹² / ₊₀₀₀	201.38
DSU50-11.00-75	11	12	3/4	.781 ⁺⁰¹⁵ / ₊₀₀₀	11.000 ⁺⁰⁰⁰ / ₋₀₀₆	11.001 ⁺⁰⁰⁴ / ₊₀₀₀	12.000 ⁺⁰¹² / ₊₀₀₀	11.000 ⁺⁰⁰⁰ / ₋₀₀₆	11.999 ⁺⁰⁰⁰ / ₋₀₀₄	12.000 ⁺⁰¹² / ₊₀₀₀	283.39
DSU50-12.00-75	12	13	3/4	.781 ⁺⁰¹⁵ / ₊₀₀₀	12.000 ⁺⁰⁰⁰ / ₋₀₀₆	12.001 ⁺⁰⁰⁴ / ₊₀₀₀	13.000 ⁺⁰¹² / ₊₀₀₀	12.000 ⁺⁰⁰⁰ / ₋₀₀₆	12.999 ⁺⁰⁰⁰ / ₋₀₀₄	13.000 ⁺⁰¹² / ₊₀₀₀	324.24
DSU50-15.00-75	15	16	3/4	.781 ⁺⁰¹⁵ / ₊₀₀₀	15.000 ⁺⁰⁰⁰ / ₋₀₀₆	15.001 ⁺⁰⁰⁴ / ₊₀₀₀	16.000 ⁺⁰¹² / ₊₀₀₀	15.000 ⁺⁰⁰⁰ / ₋₀₀₆	15.999 ⁺⁰⁰⁰ / ₋₀₀₄	16.000 ⁺⁰¹² / ₊₀₀₀	511.55
DSU50-17.00-75	17	18	3/4	.781 ⁺⁰¹⁵ / ₊₀₀₀	17.000 ⁺⁰⁰⁰ / ₋₀₀₆	17.001 ⁺⁰⁰⁴ / ₊₀₀₀	18.000 ⁺⁰¹² / ₊₀₀₀	17.000 ⁺⁰⁰⁰ / ₋₀₀₆	17.999 ⁺⁰⁰⁰ / ₋₀₀₄	18.000 ⁺⁰¹² / ₊₀₀₀	545.84
5/8" C/S											
DSU62-3.75-62	3-3/4	5	5/8	.656 ⁺⁰¹⁵ / ₊₀₀₀	3.750 ⁺⁰⁰⁰ / ₋₀₀₄	3.751 ⁺⁰⁰⁴ / ₊₀₀₀	5.000 ⁺⁰¹⁰ / ₊₀₀₀	3.750 ⁺⁰⁰⁰ / ₋₀₀₄	4.999 ⁺⁰⁰⁰ / ₋₀₀₄	5.000 ⁺⁰¹⁰ / ₊₀₀₀	\$70.56
3/4" C/S											
DSU75-12.50-100	12-1/2	14	1	1.031 ⁺⁰¹⁵ / ₊₀₀₀	12.500 ⁺⁰⁰⁰ / ₋₀₀₆	12.501 ⁺⁰⁰⁴ / ₊₀₀₀	14.000 ⁺⁰¹² / ₊₀₀₀	12.500 ⁺⁰⁰⁰ / ₋₀₀₆	13.999 ⁺⁰⁰⁰ / ₋₀₀₄	14.000 ⁺⁰¹² / ₊₀₀₀	\$323.38

Seal color may vary. Special order sizes are available. Sizes not shown and out of stock items can also be ordered for next day delivery through Seals On Demand, our custom seal program. Please call your regional sales team for assistance.



STYLE DSU-BHT HEAVY DUTY SYMMETRICAL U-SEALS

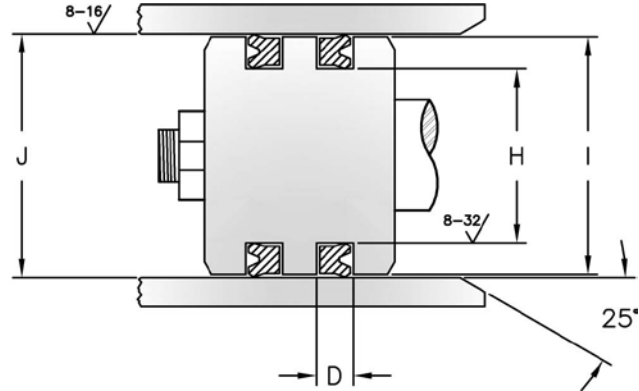
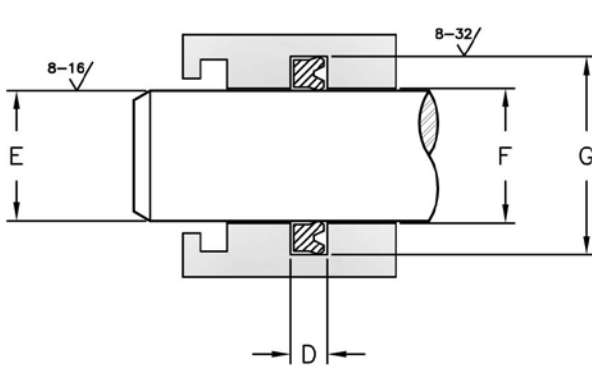
Style DSU-BHT symmetrical seals are molded in Freudenberg® AU 30000 urethane. Used interchangeably for piston or rod sealing. This high tear-resistant urethane demonstrates stability throughout a wide range of temperatures. In addition, this material is well suited to mineral and biodegradable hydraulic fluids as well as being resistant to hydrolysis.



HERCULES PART NUMBERS

DSU 12 - 0.50 - 12 BHT
 Type of Seal Cross Section Inside Diameter Height

SEAL INFORMATION	
MATERIAL	URETHANE
TEMPERATURE RANGE	-31°F TO 250°F
PRESSURE RANGE	0 TO 5000 PSI
SPEED	1.5 FT/SEC



Part Number	A Nom. ID	B Nom. OD	C Nom. Ht	D GROOVE WIDTH	E ROD DIAMETER	F THROAT DIAMETER	G HOUSING DIAMETER	H GROOVE DIAMETER	I PISTON DIAMETER	J BORE DIAMETER	List Price
1/8" C/S											
DSU12-0.50-12-BHT	1/2	3/4	1/8	.156 ^{+0.015} / _{+0.000}	.500 ^{+0.000} / _{-0.003}	.501 ^{+0.003} / _{+0.000}	.750 ^{+0.005} / _{+0.000}	.500 ^{+0.000} / _{-0.003}	.749 ^{+0.000} / _{-0.003}	.750 ^{+0.005} / _{+0.000}	\$16.52
DSU12-0.62-12-BHT	5/8	7/8	1/8	.156 ^{+0.015} / _{+0.000}	.625 ^{+0.000} / _{-0.003}	.626 ^{+0.003} / _{+0.000}	.875 ^{+0.005} / _{+0.000}	.625 ^{+0.000} / _{-0.003}	.874 ^{+0.000} / _{-0.003}	.875 ^{+0.005} / _{+0.000}	16.84
DSU12-0.75-12-BHT	3/4	1	1/8	.156 ^{+0.015} / _{+0.000}	.750 ^{+0.000} / _{-0.003}	.751 ^{+0.003} / _{+0.000}	1.000 ^{+0.005} / _{+0.000}	.750 ^{+0.000} / _{-0.003}	.999 ^{+0.000} / _{-0.003}	1.000 ^{+0.005} / _{+0.000}	16.84
DSU12-0.75-18-BHT	3/4	1	3/16	.218 ^{+0.015} / _{+0.000}	.750 ^{+0.000} / _{-0.003}	.751 ^{+0.003} / _{+0.000}	1.000 ^{+0.005} / _{+0.000}	.750 ^{+0.000} / _{-0.003}	.999 ^{+0.000} / _{-0.003}	1.000 ^{+0.005} / _{+0.000}	16.84
DSU12-0.75-25-BHT	3/4	1	1/4	.281 ^{+0.015} / _{+0.000}	.750 ^{+0.000} / _{-0.003}	.751 ^{+0.003} / _{+0.000}	1.000 ^{+0.005} / _{+0.000}	.750 ^{+0.000} / _{-0.003}	.999 ^{+0.000} / _{-0.003}	1.000 ^{+0.005} / _{+0.000}	16.84
DSU12-1.00-12-BHT	1	1-1/4	1/8	.156 ^{+0.015} / _{+0.000}	1.000 ^{+0.000} / _{-0.003}	1.001 ^{+0.003} / _{+0.000}	1.250 ^{+0.005} / _{+0.000}	1.000 ^{+0.000} / _{-0.003}	1.249 ^{+0.000} / _{-0.003}	1.250 ^{+0.005} / _{+0.000}	17.76
DSU12-1.00-18-BHT	1	1-1/4	3/16	.218 ^{+0.015} / _{+0.000}	1.000 ^{+0.000} / _{-0.003}	1.001 ^{+0.003} / _{+0.000}	1.250 ^{+0.005} / _{+0.000}	1.000 ^{+0.000} / _{-0.003}	1.249 ^{+0.000} / _{-0.003}	1.250 ^{+0.005} / _{+0.000}	17.76
DSU12-1.25-18-BHT	1-1/4	1-1/2	3/16	.218 ^{+0.015} / _{+0.000}	1.250 ^{+0.000} / _{-0.003}	1.251 ^{+0.003} / _{+0.000}	1.500 ^{+0.007} / _{+0.000}	1.250 ^{+0.000} / _{-0.003}	1.499 ^{+0.000} / _{-0.003}	1.500 ^{+0.007} / _{+0.000}	20.84
DSU12-1.25-25-BHT	1-1/4	1-1/2	1/4	.281 ^{+0.015} / _{+0.000}	1.250 ^{+0.000} / _{-0.003}	1.251 ^{+0.003} / _{+0.000}	1.500 ^{+0.007} / _{+0.000}	1.250 ^{+0.000} / _{-0.003}	1.499 ^{+0.000} / _{-0.003}	1.500 ^{+0.007} / _{+0.000}	20.84
3/16" C/S											
DSU18-1.25-31-BHT	1-1/4	1-5/8	5/16	.343 ^{+0.015} / _{+0.000}	1.250 ^{+0.000} / _{-0.003}	1.251 ^{+0.003} / _{+0.000}	1.625 ^{+0.007} / _{+0.000}	1.250 ^{+0.000} / _{-0.003}	1.624 ^{+0.000} / _{-0.003}	1.625 ^{+0.007} / _{+0.000}	\$21.59
DSU18-1.37-31-BHT	1-3/8	1-3/4	5/16	.343 ^{+0.015} / _{+0.000}	1.375 ^{+0.000} / _{-0.003}	1.376 ^{+0.003} / _{+0.000}	1.750 ^{+0.007} / _{+0.000}	1.375 ^{+0.000} / _{-0.003}	1.749 ^{+0.000} / _{-0.003}	1.750 ^{+0.007} / _{+0.000}	21.59
DSU18-1.50-25-BHT	1-1/2	1-7/8	1/4	.281 ^{+0.015} / _{+0.000}	1.500 ^{+0.000} / _{-0.003}	1.501 ^{+0.003} / _{+0.000}	1.875 ^{+0.007} / _{+0.000}	1.500 ^{+0.000} / _{-0.003}	1.874 ^{+0.000} / _{-0.003}	1.875 ^{+0.007} / _{+0.000}	22.68

U-SEALS

STYLE DSU-BHT HEAVY DUTY SYMMETRICAL U-SEALS

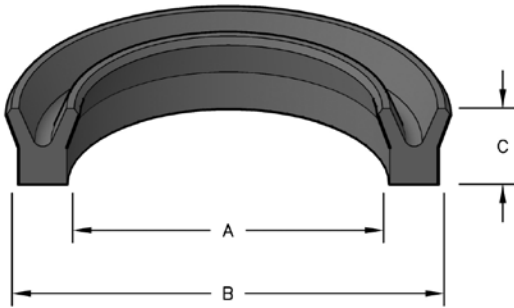


U-SEALS

Part Number	A Nom. ID	B Nom. OD	C Nom. Ht	D GROOVE WIDTH	E ROD DIAMETER	F THROAT DIAMETER	G HOUSING DIAMETER	H GROOVE DIAMETER	I PISTON DIAMETER	J BORE DIAMETER	List Price
DSU18-1.50-37-BHT	1-1/2	1-7/8	3/8	.406 ^{+0.015} / _{+0.000}	1.500 ^{+0.000} / _{-0.003}	1.501 ^{+0.003} / _{+0.000}	1.875 ^{+0.007} / _{+0.000}	1.500 ^{+0.000} / _{-0.003}	1.874 ^{+0.000} / _{-0.003}	1.875 ^{+0.007} / _{+0.000}	22.68
DSU18-1.62-25-BHT	1-5/8	2	1/4	.281 ^{+0.015} / _{+0.000}	1.625 ^{+0.000} / _{-0.003}	1.626 ^{+0.003} / _{+0.000}	2.000 ^{+0.008} / _{+0.000}	1.625 ^{+0.000} / _{-0.003}	1.999 ^{+0.000} / _{-0.004}	2.000 ^{+0.008} / _{+0.000}	22.68
DSU18-1.75-37-BHT	1-3/4	2-1/8	3/8	.406 ^{+0.015} / _{+0.000}	1.750 ^{+0.000} / _{-0.003}	1.751 ^{+0.003} / _{+0.000}	2.125 ^{+0.008} / _{+0.000}	1.750 ^{+0.000} / _{-0.003}	2.124 ^{+0.000} / _{-0.004}	2.125 ^{+0.008} / _{+0.000}	26.34
DSU18-2.00-37-BHT	2	2-3/8	3/8	.406 ^{+0.015} / _{+0.000}	2.000 ^{+0.000} / _{-0.003}	2.001 ^{+0.004} / _{+0.000}	2.375 ^{+0.008} / _{+0.000}	2.000 ^{+0.000} / _{-0.003}	2.374 ^{+0.000} / _{-0.004}	2.375 ^{+0.008} / _{+0.000}	28.78
DSU18-2.62-37-BHT	2-5/8	3	3/8	.406 ^{+0.015} / _{+0.000}	2.625 ^{+0.000} / _{-0.003}	2.626 ^{+0.004} / _{+0.000}	3.000 ^{+0.008} / _{+0.000}	2.625 ^{+0.000} / _{-0.003}	2.999 ^{+0.000} / _{-0.004}	3.000 ^{+0.008} / _{+0.000}	33.67
1/4" C/S											
DSU25-1.00-37-BHT	1	1-1/2	3/8	.406 ^{+0.015} / _{+0.000}	1.000 ^{+0.000} / _{-0.003}	1.001 ^{+0.003} / _{+0.000}	1.500 ^{+0.007} / _{+0.000}	1.000 ^{+0.000} / _{-0.003}	1.499 ^{+0.000} / _{-0.003}	1.500 ^{+0.007} / _{+0.000}	\$20.84
DSU25-1.25-37-BHT	1-1/4	1-3/4	3/8	.406 ^{+0.015} / _{+0.000}	1.250 ^{+0.000} / _{-0.003}	1.251 ^{+0.003} / _{+0.000}	1.750 ^{+0.007} / _{+0.000}	1.250 ^{+0.000} / _{-0.003}	1.749 ^{+0.000} / _{-0.003}	1.750 ^{+0.007} / _{+0.000}	21.59
DSU25-1.50-25-BHT	1-1/2	2	1/4	.281 ^{+0.015} / _{+0.000}	1.500 ^{+0.000} / _{-0.003}	1.501 ^{+0.003} / _{+0.000}	2.000 ^{+0.008} / _{+0.000}	1.500 ^{+0.000} / _{-0.003}	1.999 ^{+0.000} / _{-0.004}	2.000 ^{+0.008} / _{+0.000}	22.68
DSU25-1.50-37-BHT	1-1/2	2	3/8	.406 ^{+0.015} / _{+0.000}	1.500 ^{+0.000} / _{-0.003}	1.501 ^{+0.003} / _{+0.000}	2.000 ^{+0.008} / _{+0.000}	1.500 ^{+0.000} / _{-0.003}	1.999 ^{+0.000} / _{-0.004}	2.000 ^{+0.008} / _{+0.000}	22.68
DSU25-2.00-25-BHT	2	2-1/2	1/4	.281 ^{+0.015} / _{+0.000}	2.000 ^{+0.000} / _{-0.003}	2.001 ^{+0.004} / _{+0.000}	2.500 ^{+0.008} / _{+0.000}	2.000 ^{+0.000} / _{-0.003}	2.499 ^{+0.000} / _{-0.004}	2.500 ^{+0.008} / _{+0.000}	30.32
DSU25-2.00-37-BHT	2	2-1/2	3/8	.406 ^{+0.015} / _{+0.000}	2.000 ^{+0.000} / _{-0.003}	2.001 ^{+0.004} / _{+0.000}	2.500 ^{+0.008} / _{+0.000}	2.000 ^{+0.000} / _{-0.003}	2.499 ^{+0.000} / _{-0.004}	2.500 ^{+0.008} / _{+0.000}	30.32
DSU25-2.12-37-BHT	2-1/8	2-5/8	3/8	.406 ^{+0.015} / _{+0.000}	2.125 ^{+0.000} / _{-0.003}	2.126 ^{+0.004} / _{+0.000}	2.625 ^{+0.008} / _{+0.000}	2.125 ^{+0.000} / _{-0.003}	2.624 ^{+0.000} / _{-0.004}	2.625 ^{+0.008} / _{+0.000}	31.84
DSU25-2.25-37-BHT	2-1/4	2-3/4	3/8	.406 ^{+0.015} / _{+0.000}	2.250 ^{+0.000} / _{-0.003}	2.251 ^{+0.004} / _{+0.000}	2.750 ^{+0.008} / _{+0.000}	2.250 ^{+0.000} / _{-0.003}	2.749 ^{+0.000} / _{-0.004}	2.750 ^{+0.008} / _{+0.000}	31.84
DSU25-2.50-25-BHT	2-1/2	3	1/4	.281 ^{+0.015} / _{+0.000}	2.500 ^{+0.000} / _{-0.003}	2.501 ^{+0.004} / _{+0.000}	3.000 ^{+0.008} / _{+0.000}	2.500 ^{+0.000} / _{-0.003}	2.999 ^{+0.000} / _{-0.004}	3.000 ^{+0.008} / _{+0.000}	33.67
DSU25-2.50-37-BHT	2-1/2	3	3/8	.406 ^{+0.015} / _{+0.000}	2.500 ^{+0.000} / _{-0.003}	2.501 ^{+0.004} / _{+0.000}	3.000 ^{+0.008} / _{+0.000}	2.500 ^{+0.000} / _{-0.003}	2.999 ^{+0.000} / _{-0.004}	3.000 ^{+0.008} / _{+0.000}	33.67
DSU25-3.00-37-BHT	3	3-1/2	3/8	.406 ^{+0.015} / _{+0.000}	3.000 ^{+0.000} / _{-0.004}	3.001 ^{+0.004} / _{+0.000}	3.500 ^{+0.009} / _{+0.000}	3.000 ^{+0.000} / _{-0.004}	3.499 ^{+0.000} / _{-0.004}	3.500 ^{+0.009} / _{+0.000}	37.24
DSU25-3.50-37-BHT	3-1/2	4	3/8	.406 ^{+0.015} / _{+0.000}	3.500 ^{+0.000} / _{-0.004}	3.501 ^{+0.004} / _{+0.000}	4.000 ^{+0.009} / _{+0.000}	3.500 ^{+0.000} / _{-0.004}	3.999 ^{+0.000} / _{-0.004}	4.000 ^{+0.009} / _{+0.000}	44.07

STYLE HU SYMMETRICAL URETHANE U-SEALS

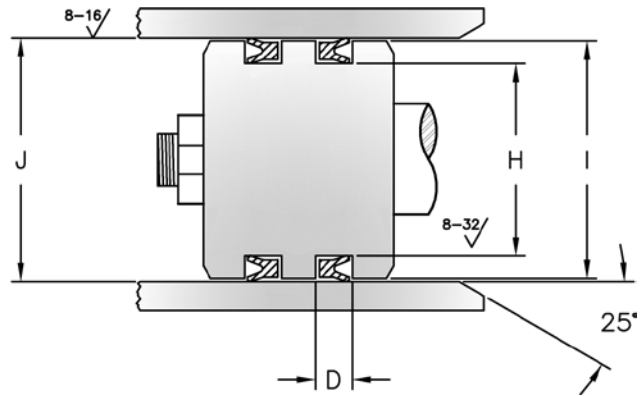
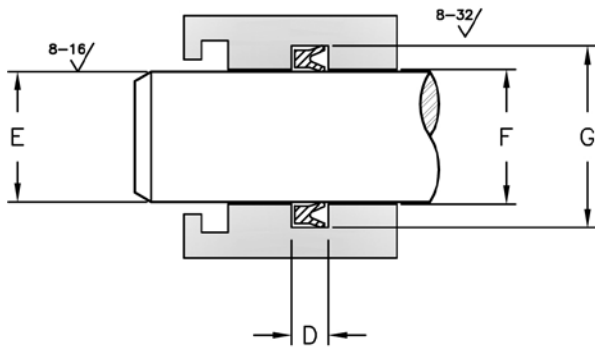
Style HU seals feature a reverse bevel lip design and are molded from high quality urethane. The balanced symmetrical design makes them ideal for rod or piston applications.



HERCULES PART NUMBERS

HU 12 - 0.62 - 12
 Type of Seal Cross Section Inside Diameter Height

SEAL INFORMATION	
MATERIAL	90A URETHANE
TEMPERATURE RANGE	-50° TO +200° F
PRESSURE RANGE	0 TO 5,000 PSI
SPEED	3 FT/SEC



Part Number	A Nom. ID	B Nom. OD	C Nom. Ht	D GROOVE WIDTH	E ROD DIAMETER	F THROAT DIAMETER	G HOUSING DIAMETER	H GROOVE DIAMETER	I PISTON DIAMETER	J BORE DIAMETER	List Price
1/8" C/S											
HU12-0.50-25-601	1/2	3/4	1/4	.275 +0.010 +0.000	.500 -0.0006 -0.0023	.501 +0.002 +0.000	.750 ±0.0026	.500 +0.0017 +0.0000	.749 +0.000 -0.001	.750 ±0.0026	\$9.61
HU12-0.62-12	5/8	7/8	1/8	.138 +0.015 +0.000	.625 +0.000 -0.001	.626 +0.002 +0.000	.875 +0.002 +0.000	.625 +0.000 -0.002	.874 +0.000 -0.001	.875 +0.002 +0.000	7.29
HU12-0.62-18	5/8	7/8	3/16	.207 +0.015 +0.000	.625 +0.000 -0.001	.626 +0.002 +0.000	.875 +0.002 +0.000	.625 +0.000 -0.002	.874 +0.000 -0.001	.875 +0.002 +0.000	12.35
HU12-0.75-25	3/4	1	1/4	.275 +0.015 +0.000	.750 +0.000 -0.001	.751 +0.002 +0.000	1.000 +0.002 +0.000	.750 +0.000 -0.002	.999 +0.000 -0.001	1.000 +0.002 +0.000	7.46
HU12-0.87-25	7/8	1-1/8	1/4	.275 +0.015 +0.000	.875 +0.000 -0.001	.876 +0.002 +0.000	1.125 +0.002 +0.000	.875 +0.000 -0.002	1.124 +0.000 -0.001	1.125 +0.002 +0.000	7.56
HU12-1.00-25	1	1-1/4	1/4	.275 +0.015 +0.000	1.000 +0.000 -0.001	1.001 +0.002 +0.000	1.250 +0.002 +0.000	1.000 +0.000 -0.002	1.249 +0.000 -0.001	1.250 +0.002 +0.000	7.66
HU12-1.12-12	1-1/8	1-3/8	1/8	.138 +0.015 +0.000	1.125 +0.000 -0.001	1.126 +0.002 +0.000	1.375 +0.002 +0.000	1.125 +0.000 -0.002	1.374 +0.000 -0.001	1.375 +0.002 +0.000	8.76
HU12-1.25-25	1-1/4	1-1/2	1/4	.275 +0.015 +0.000	1.250 +0.000 -0.001	1.251 +0.002 +0.000	1.500 +0.002 +0.000	1.250 +0.000 -0.002	1.499 +0.000 -0.001	1.500 +0.002 +0.000	8.87
HU12-1.50-25	1-1/2	1-3/4	1/4	.275 +0.015 +0.000	1.500 +0.000 -0.001	1.501 +0.002 +0.000	1.750 +0.002 +0.000	1.500 +0.000 -0.002	1.749 +0.000 -0.001	1.750 +0.002 +0.000	16.74
5/32" C/S											
HU15-1.00-21	1	1-5/16	7/32	.241 +0.015 +0.000	1.000 +0.000 -0.002	1.001 +0.002 +0.000	1.313 +0.002 +0.000	1.000 +0.000 -0.002	1.312 +0.000 -0.002	1.313 +0.002 +0.000	\$13.24
HU15-1.37-21	1-3/8	1-11/16	7/32	.241 +0.015 +0.000	1.375 +0.000 -0.002	1.376 +0.002 +0.000	1.688 +0.002 +0.000	1.375 +0.000 -0.002	1.687 +0.000 -0.002	1.688 +0.002 +0.000	13.66

STYLE HU SYMMETRICAL URETHANE U-SEALS



U-SEALS

Part Number	A Nom. ID	B Nom. OD	C Nom. Ht	D GROOVE WIDTH	E ROD DIAMETER	F THROAT DIAMETER	G HOUSING DIAMETER	H GROOVE DIAMETER	I PISTON DIAMETER	J BORE DIAMETER	List Price
3/16" C/S											
HU18-0.37-25	3/8	3/4	1/4	.275 +.015 +0.000	.375 +.000 -.002	.376 +.002 +0.000	.750 +.002 +0.000	.375 +.000 -.002	.749 +.000 -.002	.750 +.002 +0.000	\$ 15.08
HU18-0.87-25	7/8	1-1/4	1/4	.275 +.015 +0.000	.875 +.000 -.002	.876 +.002 +0.000	1.250 +.002 +0.000	.875 +.000 -.002	1.249 +.000 -.002	1.250 +.002 +0.000	7.57
HU18-1.00-25	1	1-3/8	1/4	.275 +.015 +0.000	1.000 +.000 -.002	1.001 +.002 +0.000	1.375 +.002 +0.000	1.000 +.000 -.002	1.374 +.000 -.002	1.375 +.002 +0.000	7.73
HU18-1.12-18	1-1/8	1-1/2	3/16	.207 +.015 +0.000	1.125 +.000 -.002	1.126 +.002 +0.000	1.500 +.002 +0.000	1.125 +.000 -.002	1.499 +.000 -.002	1.500 +.002 +0.000	11.21
HU18-1.12-25	1-1/8	1-1/2	1/4	.275 +.015 +0.000	1.125 +.000 -.002	1.126 +.002 +0.000	1.500 +.002 +0.000	1.125 +.000 -.002	1.499 +.000 -.002	1.500 +.002 +0.000	7.97
HU18-1.25-18	1-1/4	1-5/8	3/16	.207 +.015 +0.000	1.250 +.000 -.002	1.251 +.002 +0.000	1.625 +.002 +0.000	1.250 +.000 -.002	1.624 +.000 -.002	1.625 +.002 +0.000	11.13
HU18-1.25-25	1-1/4	1-5/8	1/4	.275 +.015 +0.000	1.250 +.000 -.002	1.251 +.002 +0.000	1.625 +.002 +0.000	1.250 +.000 -.002	1.624 +.000 -.002	1.625 +.002 +0.000	8.20
HU18-1.25-31	1-1/4	1-5/8	5/16	.344 +.015 +0.000	1.250 +.000 -.002	1.251 +.002 +0.000	1.625 +.002 +0.000	1.250 +.000 -.002	1.624 +.000 -.002	1.625 +.002 +0.000	8.56
HU18-1.25-37	1-1/4	1-5/8	3/8	.413 +.015 +0.000	1.250 +.000 -.002	1.251 +.002 +0.000	1.625 +.002 +0.000	1.250 +.000 -.002	1.624 +.000 -.002	1.625 +.002 +0.000	8.87
HU18-1.37-18	1-3/8	1-3/4	3/16	.207 +.015 +0.000	1.375 +.000 -.002	1.376 +.002 +0.000	1.750 +.002 +0.000	1.375 +.000 -.002	1.749 +.000 -.002	1.750 +.002 +0.000	11.50
HU18-1.50-25	1-1/2	1-7/8	1/4	.275 +.015 +0.000	1.500 +.000 -.002	1.501 +.002 +0.000	1.875 +.002 +0.000	1.500 +.000 -.002	1.874 +.000 -.002	1.875 +.002 +0.000	10.27
HU18-1.50-31	1-1/2	1-7/8	5/16	.344 +.015 +0.000	1.500 +.000 -.002	1.501 +.002 +0.000	1.875 +.002 +0.000	1.500 +.000 -.002	1.874 +.000 -.002	1.875 +.002 +0.000	10.30
HU18-1.62-18	1-5/8	2	3/16	.207 +.015 +0.000	1.625 +.000 -.002	1.626 +.002 +0.000	2.000 +.002 +0.000	1.625 +.000 -.002	1.999 +.000 -.002	2.000 +.002 +0.000	12.19
HU18-1.62-31	1-5/8	2	5/16	.344 +.015 +0.000	1.625 +.000 -.002	1.626 +.002 +0.000	2.000 +.002 +0.000	1.625 +.000 -.002	1.999 +.000 -.002	2.000 +.002 +0.000	10.44
HU18-1.75-18	1-3/4	2-1/8	3/16	.207 +.015 +0.000	1.750 +.000 -.002	1.751 +.002 +0.000	2.125 +.002 +0.000	1.750 +.000 -.002	2.124 +.000 -.002	2.125 +.002 +0.000	12.52
HU18-1.75-25	1-3/4	2-1/8	1/4	.275 +.015 +0.000	1.750 +.000 -.002	1.751 +.002 +0.000	2.125 +.002 +0.000	1.750 +.000 -.002	2.124 +.000 -.002	2.125 +.002 +0.000	10.60
HU18-1.75-37	1-3/4	2-1/8	3/8	.413 +.015 +0.000	1.750 +.000 -.002	1.751 +.002 +0.000	2.125 +.002 +0.000	1.750 +.000 -.002	2.124 +.000 -.002	2.125 +.002 +0.000	10.80
HU18-2.00-18	2	2-3/8	3/16	.207 +.015 +0.000	2.000 +.000 -.002	2.001 +.002 +0.000	2.375 +.002 +0.000	2.000 +.000 -.002	2.374 +.000 -.002	2.375 +.002 +0.000	13.18
HU18-2.00-25	2	2-3/8	1/4	.275 +.015 +0.000	2.000 +.000 -.002	2.001 +.002 +0.000	2.375 +.002 +0.000	2.000 +.000 -.002	2.374 +.000 -.002	2.375 +.002 +0.000	11.05
HU18-2.00-31	2	2-3/8	5/16	.344 +.015 +0.000	2.000 +.000 -.002	2.001 +.002 +0.000	2.375 +.002 +0.000	2.000 +.000 -.002	2.374 +.000 -.002	2.375 +.002 +0.000	11.30
HU18-2.00-37	2	2-3/8	3/8	.413 +.015 +0.000	2.000 +.000 -.002	2.001 +.002 +0.000	2.375 +.002 +0.000	2.000 +.000 -.002	2.374 +.000 -.002	2.375 +.002 +0.000	12.14
HU18-2.12-18	2-1/8	2-1/2	3/16	.207 +.015 +0.000	2.125 +.000 -.002	2.126 +.002 +0.000	2.500 +.002 +0.000	2.125 +.000 -.002	2.499 +.000 -.002	2.500 +.002 +0.000	13.46
HU18-2.12-37	2-1/8	2-1/2	3/8	.413 +.015 +0.000	2.125 +.000 -.002	2.126 +.002 +0.000	2.500 +.002 +0.000	2.125 +.000 -.002	2.499 +.000 -.002	2.500 +.002 +0.000	13.65
HU18-2.50-25	2-1/2	2-7/8	1/4	.275 +.015 +0.000	2.500 +.000 -.002	2.501 +.002 +0.000	2.875 +.002 +0.000	2.500 +.000 -.002	2.874 +.000 -.002	2.875 +.002 +0.000	13.81
HU18-2.50-37	2-1/2	2-7/8	3/8	.413 +.015 +0.000	2.500 +.000 -.002	2.501 +.002 +0.000	2.875 +.002 +0.000	2.500 +.000 -.002	2.874 +.000 -.002	2.875 +.002 +0.000	14.02
HU18-2.62-37	2-5/8	3	3/8	.413 +.015 +0.000	2.625 +.000 -.002	2.626 +.002 +0.000	3.000 +.002 +0.000	2.625 +.000 -.002	2.999 +.000 -.002	3.000 +.002 +0.000	14.68
HU18-3.00-18	3	3-3/8	3/16	.207 +.015 +0.000	3.000 +.000 -.002	3.001 +.002 +0.000	3.375 +.002 +0.000	3.000 +.000 -.002	3.374 +.000 -.002	3.375 +.002 +0.000	16.39
HU18-3.12-37	3-1/8	3-1/2	3/8	.413 +.015 +0.000	3.125 +.000 -.002	3.126 +.002 +0.000	3.500 +.002 +0.000	3.125 +.000 -.002	3.499 +.000 -.002	3.500 +.002 +0.000	16.67
HU18-3.62-37	3-5/8	4	3/8	.413 +.015 +0.000	3.625 +.000 -.002	3.626 +.002 +0.000	4.000 +.002 +0.000	3.625 +.000 -.002	3.999 +.000 -.002	4.000 +.002 +0.000	21.25
HU18-3.87-18	3-7/8	4-1/4	3/16	.207 +.015 +0.000	3.875 +.000 -.002	3.876 +.002 +0.000	4.250 +.002 +0.000	3.875 +.000 -.002	4.249 +.000 -.002	4.250 +.002 +0.000	23.59
7/32" C/S											
HU21-2.50-28	2-1/2	2-15/16	9/32	.310 +.015 +0.000	2.500 +.000 -.002	2.501 +.003 +0.000	2.938 +.002 +0.000	2.500 +.000 -.002	2.937 +.000 -.002	2.938 +.002 +0.000	\$ 28.98

STYLE HU SYMMETRICAL URETHANE U-SEALS

U-SEALS

Part Number	A Nom. ID	B Nom. OD	C Nom. Ht	D GROOVE WIDTH	E ROD DIAMETER	F THROAT DIAMETER	G HOUSING DIAMETER	H GROOVE DIAMETER	I PISTON DIAMETER	J BORE DIAMETER	List Price
HU21-2.81-28	2-13/16	3-1/4	9/32	.310 ^{+0.015} / _{+0.000}	2.812 ^{+0.000} / _{-0.002}	2.813 ^{+0.003} / _{+0.000}	3.250 ^{+0.002} / _{+0.000}	2.812 ^{+0.000} / _{-0.002}	3.249 ^{+0.000} / _{-0.002}	3.250 ^{+0.002} / _{+0.000}	32.48
HU21-3.00-28	3	3-7/16	9/32	.310 ^{+0.015} / _{+0.000}	3.000 ^{+0.000} / _{-0.002}	3.001 ^{+0.003} / _{+0.000}	3.438 ^{+0.002} / _{+0.000}	3.000 ^{+0.000} / _{-0.002}	3.437 ^{+0.000} / _{-0.002}	3.438 ^{+0.002} / _{+0.000}	34.22
1/4" C/S											
HU25-0.93-56	15/16	1-7/16	9/16	.619 ^{+0.015} / _{+0.000}	.937 ^{+0.000} / _{-0.002}	.939 ^{+0.003} / _{+0.000}	1.438 ^{+0.003} / _{+0.000}	.937 ^{+0.000} / _{-0.003}	1.437 ^{+0.000} / _{-0.002}	1.438 ^{+0.003} / _{+0.000}	\$20.00
HU25-1.00-25	1	1-1/2	1/4	.275 ^{+0.015} / _{+0.000}	1.000 ^{+0.000} / _{-0.002}	1.001 ^{+0.003} / _{+0.000}	1.500 ^{+0.003} / _{+0.000}	1.000 ^{+0.000} / _{-0.003}	1.499 ^{+0.000} / _{-0.002}	1.500 ^{+0.003} / _{+0.000}	7.73
HU25-1.00-31	1	1-1/2	5/16	.344 ^{+0.015} / _{+0.000}	1.000 ^{+0.000} / _{-0.002}	1.001 ^{+0.003} / _{+0.000}	1.500 ^{+0.003} / _{+0.000}	1.000 ^{+0.000} / _{-0.003}	1.499 ^{+0.000} / _{-0.002}	1.500 ^{+0.003} / _{+0.000}	8.37
HU25-1.00-37	1	1-1/2	3/8	.413 ^{+0.015} / _{+0.000}	1.000 ^{+0.000} / _{-0.002}	1.001 ^{+0.003} / _{+0.000}	1.500 ^{+0.003} / _{+0.000}	1.000 ^{+0.000} / _{-0.003}	1.499 ^{+0.000} / _{-0.002}	1.500 ^{+0.003} / _{+0.000}	8.47
HU25-1.12-25	1-1/8	1-5/8	1/4	.275 ^{+0.015} / _{+0.000}	1.125 ^{+0.000} / _{-0.002}	1.126 ^{+0.003} / _{+0.000}	1.625 ^{+0.003} / _{+0.000}	1.125 ^{+0.000} / _{-0.003}	1.624 ^{+0.000} / _{-0.002}	1.625 ^{+0.003} / _{+0.000}	11.50
HU25-1.25-25	1-1/4	1-3/4	1/4	.275 ^{+0.015} / _{+0.000}	1.250 ^{+0.000} / _{-0.002}	1.251 ^{+0.003} / _{+0.000}	1.750 ^{+0.003} / _{+0.000}	1.250 ^{+0.000} / _{-0.003}	1.749 ^{+0.000} / _{-0.002}	1.750 ^{+0.003} / _{+0.000}	8.84
HU25-1.25-37	1-1/4	1-3/4	3/8	.413 ^{+0.015} / _{+0.000}	1.250 ^{+0.000} / _{-0.002}	1.251 ^{+0.003} / _{+0.000}	1.750 ^{+0.003} / _{+0.000}	1.250 ^{+0.000} / _{-0.003}	1.749 ^{+0.000} / _{-0.002}	1.750 ^{+0.003} / _{+0.000}	8.87
HU25-1.37-37	1-3/8	1-7/8	3/8	.413 ^{+0.015} / _{+0.000}	1.375 ^{+0.000} / _{-0.002}	1.376 ^{+0.003} / _{+0.000}	1.875 ^{+0.003} / _{+0.000}	1.375 ^{+0.000} / _{-0.003}	1.874 ^{+0.000} / _{-0.002}	1.875 ^{+0.003} / _{+0.000}	9.37
HU25-1.50-31	1-1/2	2	5/16	.344 ^{+0.015} / _{+0.000}	1.500 ^{+0.000} / _{-0.002}	1.501 ^{+0.003} / _{+0.000}	2.000 ^{+0.003} / _{+0.000}	1.500 ^{+0.000} / _{-0.003}	1.999 ^{+0.000} / _{-0.002}	2.000 ^{+0.003} / _{+0.000}	10.01
HU25-1.50-37	1-1/2	2	3/8	.413 ^{+0.015} / _{+0.000}	1.500 ^{+0.000} / _{-0.002}	1.501 ^{+0.003} / _{+0.000}	2.000 ^{+0.003} / _{+0.000}	1.500 ^{+0.000} / _{-0.003}	1.999 ^{+0.000} / _{-0.002}	2.000 ^{+0.003} / _{+0.000}	10.01
HU25-1.75-25	1-3/4	2-1/4	1/4	.275 ^{+0.015} / _{+0.000}	1.750 ^{+0.000} / _{-0.002}	1.751 ^{+0.003} / _{+0.000}	2.250 ^{+0.003} / _{+0.000}	1.750 ^{+0.000} / _{-0.003}	2.249 ^{+0.000} / _{-0.002}	2.250 ^{+0.003} / _{+0.000}	14.96
HU25-1.75-37	1-3/4	2-1/4	3/8	.413 ^{+0.015} / _{+0.000}	1.750 ^{+0.000} / _{-0.002}	1.751 ^{+0.003} / _{+0.000}	2.250 ^{+0.003} / _{+0.000}	1.750 ^{+0.000} / _{-0.003}	2.249 ^{+0.000} / _{-0.002}	2.250 ^{+0.003} / _{+0.000}	11.40
HU25-2.00-25	2	2-1/2	1/4	.275 ^{+0.015} / _{+0.000}	2.000 ^{+0.000} / _{-0.002}	2.001 ^{+0.003} / _{+0.000}	2.500 ^{+0.003} / _{+0.000}	2.000 ^{+0.000} / _{-0.003}	2.499 ^{+0.000} / _{-0.002}	2.500 ^{+0.003} / _{+0.000}	11.50
HU25-2.00-31	2	2-1/2	5/16	.344 ^{+0.015} / _{+0.000}	2.000 ^{+0.000} / _{-0.002}	2.001 ^{+0.003} / _{+0.000}	2.500 ^{+0.003} / _{+0.000}	2.000 ^{+0.000} / _{-0.003}	2.499 ^{+0.000} / _{-0.002}	2.500 ^{+0.003} / _{+0.000}	11.88
HU25-2.00-37	2	2-1/2	3/8	.413 ^{+0.015} / _{+0.000}	2.000 ^{+0.000} / _{-0.002}	2.001 ^{+0.003} / _{+0.000}	2.500 ^{+0.003} / _{+0.000}	2.000 ^{+0.000} / _{-0.003}	2.499 ^{+0.000} / _{-0.002}	2.500 ^{+0.003} / _{+0.000}	12.49
HU25-2.00-50	2	2-1/2	1/2	.550 ^{+0.015} / _{+0.000}	2.000 ^{+0.000} / _{-0.002}	2.001 ^{+0.003} / _{+0.000}	2.500 ^{+0.003} / _{+0.000}	2.000 ^{+0.000} / _{-0.003}	2.499 ^{+0.000} / _{-0.002}	2.500 ^{+0.003} / _{+0.000}	12.79
HU25-2.25-25	2-1/4	2-3/4	1/4	.275 ^{+0.015} / _{+0.000}	2.250 ^{+0.000} / _{-0.002}	2.251 ^{+0.003} / _{+0.000}	2.750 ^{+0.003} / _{+0.000}	2.250 ^{+0.000} / _{-0.003}	2.749 ^{+0.000} / _{-0.002}	2.750 ^{+0.003} / _{+0.000}	18.17
HU25-2.25-37	2-1/4	2-3/4	3/8	.413 ^{+0.015} / _{+0.000}	2.250 ^{+0.000} / _{-0.002}	2.251 ^{+0.003} / _{+0.000}	2.750 ^{+0.003} / _{+0.000}	2.250 ^{+0.000} / _{-0.003}	2.749 ^{+0.000} / _{-0.002}	2.750 ^{+0.003} / _{+0.000}	14.38
HU25-2.50-25	2-1/2	3	1/4	.275 ^{+0.015} / _{+0.000}	2.500 ^{+0.000} / _{-0.002}	2.501 ^{+0.003} / _{+0.000}	3.000 ^{+0.003} / _{+0.000}	2.500 ^{+0.000} / _{-0.003}	2.999 ^{+0.000} / _{-0.002}	3.000 ^{+0.003} / _{+0.000}	15.93
HU25-2.50-37	2-1/2	3	3/8	.413 ^{+0.015} / _{+0.000}	2.500 ^{+0.000} / _{-0.002}	2.501 ^{+0.003} / _{+0.000}	3.000 ^{+0.003} / _{+0.000}	2.500 ^{+0.000} / _{-0.003}	2.999 ^{+0.000} / _{-0.002}	3.000 ^{+0.003} / _{+0.000}	16.23
HU25-2.75-25	2-3/4	3-1/4	1/4	.275 ^{+0.015} / _{+0.000}	2.750 ^{+0.000} / _{-0.002}	2.751 ^{+0.003} / _{+0.000}	3.250 ^{+0.003} / _{+0.000}	2.750 ^{+0.000} / _{-0.003}	3.249 ^{+0.000} / _{-0.002}	3.250 ^{+0.003} / _{+0.000}	16.56
HU25-2.75-37	2-3/4	3-1/4	3/8	.413 ^{+0.015} / _{+0.000}	2.750 ^{+0.000} / _{-0.002}	2.751 ^{+0.003} / _{+0.000}	3.250 ^{+0.003} / _{+0.000}	2.750 ^{+0.000} / _{-0.003}	3.249 ^{+0.000} / _{-0.002}	3.250 ^{+0.003} / _{+0.000}	17.17
HU25-2.87-37	2-7/8	3-3/8	3/8	.413 ^{+0.015} / _{+0.000}	2.875 ^{+0.000} / _{-0.002}	2.876 ^{+0.003} / _{+0.000}	3.375 ^{+0.003} / _{+0.000}	2.875 ^{+0.000} / _{-0.003}	3.374 ^{+0.000} / _{-0.002}	3.375 ^{+0.003} / _{+0.000}	16.60
HU25-3.00-25	3	3-1/2	1/4	.275 ^{+0.015} / _{+0.000}	3.000 ^{+0.000} / _{-0.002}	3.001 ^{+0.003} / _{+0.000}	3.500 ^{+0.003} / _{+0.000}	3.000 ^{+0.000} / _{-0.003}	3.499 ^{+0.000} / _{-0.002}	3.500 ^{+0.003} / _{+0.000}	17.37
HU25-3.00-37	3	3-1/2	3/8	.413 ^{+0.015} / _{+0.000}	3.000 ^{+0.000} / _{-0.002}	3.001 ^{+0.003} / _{+0.000}	3.500 ^{+0.003} / _{+0.000}	3.000 ^{+0.000} / _{-0.003}	3.499 ^{+0.000} / _{-0.002}	3.500 ^{+0.003} / _{+0.000}	17.99
HU25-3.25-31	3-1/4	3-3/4	5/16	.344 ^{+0.015} / _{+0.000}	3.250 ^{+0.000} / _{-0.002}	3.251 ^{+0.003} / _{+0.000}	3.750 ^{+0.003} / _{+0.000}	3.250 ^{+0.000} / _{-0.003}	3.749 ^{+0.000} / _{-0.002}	3.750 ^{+0.003} / _{+0.000}	18.54
HU25-3.25-37	3-1/4	3-3/4	3/8	.413 ^{+0.015} / _{+0.000}	3.250 ^{+0.000} / _{-0.002}	3.251 ^{+0.003} / _{+0.000}	3.750 ^{+0.003} / _{+0.000}	3.250 ^{+0.000} / _{-0.003}	3.749 ^{+0.000} / _{-0.002}	3.750 ^{+0.003} / _{+0.000}	19.90
HU25-3.37-37	3-3/8	3-7/8	3/8	.413 ^{+0.015} / _{+0.000}	3.375 ^{+0.000} / _{-0.002}	3.376 ^{+0.003} / _{+0.000}	3.875 ^{+0.003} / _{+0.000}	3.375 ^{+0.000} / _{-0.003}	3.874 ^{+0.000} / _{-0.002}	3.875 ^{+0.003} / _{+0.000}	21.04
HU25-3.50-31	3-1/2	4	5/16	.344 ^{+0.015} / _{+0.000}	3.500 ^{+0.000} / _{-0.002}	3.501 ^{+0.003} / _{+0.000}	4.000 ^{+0.003} / _{+0.000}	3.500 ^{+0.000} / _{-0.003}	3.999 ^{+0.000} / _{-0.002}	4.000 ^{+0.003} / _{+0.000}	35.84
HU25-3.50-37	3-1/2	4	3/8	.413 ^{+0.015} / _{+0.000}	3.500 ^{+0.000} / _{-0.002}	3.501 ^{+0.003} / _{+0.000}	4.000 ^{+0.003} / _{+0.000}	3.500 ^{+0.000} / _{-0.003}	3.999 ^{+0.000} / _{-0.002}	4.000 ^{+0.003} / _{+0.000}	21.15

STYLE HU SYMMETRICAL URETHANE U-SEALS



U-SEALS

Part Number	A Nom. ID	B Nom. OD	C Nom. Ht	D GROOVE WIDTH	E ROD DIAMETER	F THROAT DIAMETER	G HOUSING DIAMETER	H GROOVE DIAMETER	I PISTON DIAMETER	J BORE DIAMETER	List Price
HU25-3.50-50	3-1/2	4	1/2	.550 ⁺⁰¹⁵ / ₊₀₀₀	3.500 ⁺⁰⁰⁰ / ₋₀₀₂	3.501 ⁺⁰⁰³ / ₊₀₀₀	4.000 ⁺⁰⁰³ / ₊₀₀₀	3.500 ⁺⁰⁰⁰ / ₋₀₀₃	3.999 ⁺⁰⁰⁰ / ₋₀₀₂	4.000 ⁺⁰⁰³ / ₊₀₀₀	21.52
HU25-3.75-37	3-3/4	4-1/4	3/8	.413 ⁺⁰¹⁵ / ₊₀₀₀	3.750 ⁺⁰⁰⁰ / ₋₀₀₂	3.751 ⁺⁰⁰³ / ₊₀₀₀	4.250 ⁺⁰⁰³ / ₊₀₀₀	3.750 ⁺⁰⁰⁰ / ₋₀₀₃	4.249 ⁺⁰⁰⁰ / ₋₀₀₂	4.250 ⁺⁰⁰³ / ₊₀₀₀	21.95
HU25-4.00-25	4	4-1/2	1/4	.275 ⁺⁰¹⁵ / ₊₀₀₀	4.000 ⁺⁰⁰⁰ / ₋₀₀₂	4.001 ⁺⁰⁰³ / ₊₀₀₀	4.500 ⁺⁰⁰³ / ₊₀₀₀	4.000 ⁺⁰⁰⁰ / ₋₀₀₃	4.499 ⁺⁰⁰⁰ / ₋₀₀₂	4.500 ⁺⁰⁰³ / ₊₀₀₀	30.18
HU25-4.00-31	4	4-1/2	5/16	.344 ⁺⁰¹⁵ / ₊₀₀₀	4.000 ⁺⁰⁰⁰ / ₋₀₀₂	4.001 ⁺⁰⁰³ / ₊₀₀₀	4.500 ⁺⁰⁰³ / ₊₀₀₀	4.000 ⁺⁰⁰⁰ / ₋₀₀₃	4.499 ⁺⁰⁰⁰ / ₋₀₀₂	4.500 ⁺⁰⁰³ / ₊₀₀₀	40.11
HU25-4.00-37	4	4-1/2	3/8	.413 ⁺⁰¹⁵ / ₊₀₀₀	4.000 ⁺⁰⁰⁰ / ₋₀₀₂	4.001 ⁺⁰⁰³ / ₊₀₀₀	4.500 ⁺⁰⁰³ / ₊₀₀₀	4.000 ⁺⁰⁰⁰ / ₋₀₀₃	4.499 ⁺⁰⁰⁰ / ₋₀₀₂	4.500 ⁺⁰⁰³ / ₊₀₀₀	23.28
HU25-4.00-50	4	4-1/2	1/2	.550 ⁺⁰¹⁵ / ₊₀₀₀	4.000 ⁺⁰⁰⁰ / ₋₀₀₂	4.001 ⁺⁰⁰³ / ₊₀₀₀	4.500 ⁺⁰⁰³ / ₊₀₀₀	4.000 ⁺⁰⁰⁰ / ₋₀₀₃	4.499 ⁺⁰⁰⁰ / ₋₀₀₂	4.500 ⁺⁰⁰³ / ₊₀₀₀	22.41
HU25-4.00-56	4	4-1/2	9/16	.619 ⁺⁰¹⁵ / ₊₀₀₀	4.000 ⁺⁰⁰⁰ / ₋₀₀₂	4.001 ⁺⁰⁰³ / ₊₀₀₀	4.500 ⁺⁰⁰³ / ₊₀₀₀	4.000 ⁺⁰⁰⁰ / ₋₀₀₃	4.499 ⁺⁰⁰⁰ / ₋₀₀₂	4.500 ⁺⁰⁰³ / ₊₀₀₀	23.82
HU25-4.25-25	4-1/4	4-3/4	1/4	.275 ⁺⁰¹⁵ / ₊₀₀₀	4.250 ⁺⁰⁰⁰ / ₋₀₀₂	4.251 ⁺⁰⁰³ / ₊₀₀₀	4.750 ⁺⁰⁰³ / ₊₀₀₀	4.250 ⁺⁰⁰⁰ / ₋₀₀₃	4.749 ⁺⁰⁰⁰ / ₋₀₀₂	4.750 ⁺⁰⁰³ / ₊₀₀₀	31.76
HU25-4.50-25	4-1/2	5	1/4	.275 ⁺⁰¹⁵ / ₊₀₀₀	4.500 ⁺⁰⁰⁰ / ₋₀₀₂	4.501 ⁺⁰⁰³ / ₊₀₀₀	5.000 ⁺⁰⁰³ / ₊₀₀₀	4.500 ⁺⁰⁰⁰ / ₋₀₀₃	4.999 ⁺⁰⁰⁰ / ₋₀₀₂	5.000 ⁺⁰⁰³ / ₊₀₀₀	50.22
HU25-4.50-31	4-1/2	5	5/16	.344 ⁺⁰¹⁵ / ₊₀₀₀	4.500 ⁺⁰⁰⁰ / ₋₀₀₂	4.501 ⁺⁰⁰³ / ₊₀₀₀	5.000 ⁺⁰⁰³ / ₊₀₀₀	4.500 ⁺⁰⁰⁰ / ₋₀₀₃	4.999 ⁺⁰⁰⁰ / ₋₀₀₂	5.000 ⁺⁰⁰³ / ₊₀₀₀	51.00
HU25-4.50-37	4-1/2	5	3/8	.413 ⁺⁰¹⁵ / ₊₀₀₀	4.500 ⁺⁰⁰⁰ / ₋₀₀₂	4.501 ⁺⁰⁰³ / ₊₀₀₀	5.000 ⁺⁰⁰³ / ₊₀₀₀	4.500 ⁺⁰⁰⁰ / ₋₀₀₃	4.999 ⁺⁰⁰⁰ / ₋₀₀₂	5.000 ⁺⁰⁰³ / ₊₀₀₀	27.77
HU25-4.50-50	4-1/2	5	1/2	.550 ⁺⁰¹⁵ / ₊₀₀₀	4.500 ⁺⁰⁰⁰ / ₋₀₀₂	4.501 ⁺⁰⁰³ / ₊₀₀₀	5.000 ⁺⁰⁰³ / ₊₀₀₀	4.500 ⁺⁰⁰⁰ / ₋₀₀₃	4.999 ⁺⁰⁰⁰ / ₋₀₀₂	5.000 ⁺⁰⁰³ / ₊₀₀₀	27.77
HU25-4.50-56	4-1/2	5	9/16	.619 ⁺⁰¹⁵ / ₊₀₀₀	4.500 ⁺⁰⁰⁰ / ₋₀₀₂	4.501 ⁺⁰⁰³ / ₊₀₀₀	5.000 ⁺⁰⁰³ / ₊₀₀₀	4.500 ⁺⁰⁰⁰ / ₋₀₀₃	4.999 ⁺⁰⁰⁰ / ₋₀₀₂	5.000 ⁺⁰⁰³ / ₊₀₀₀	27.77
HU25-4.75-25	4-3/4	5-1/4	1/4	.275 ⁺⁰¹⁵ / ₊₀₀₀	4.750 ⁺⁰⁰⁰ / ₋₀₀₂	4.751 ⁺⁰⁰³ / ₊₀₀₀	5.250 ⁺⁰⁰³ / ₊₀₀₀	4.750 ⁺⁰⁰⁰ / ₋₀₀₃	5.249 ⁺⁰⁰⁰ / ₋₀₀₂	5.250 ⁺⁰⁰³ / ₊₀₀₀	48.35
HU25-5.00-25	5	5-1/2	1/4	.275 ⁺⁰¹⁵ / ₊₀₀₀	5.000 ⁺⁰⁰⁰ / ₋₀₀₂	5.001 ⁺⁰⁰³ / ₊₀₀₀	5.500 ⁺⁰⁰³ / ₊₀₀₀	5.000 ⁺⁰⁰⁰ / ₋₀₀₃	5.499 ⁺⁰⁰⁰ / ₋₀₀₂	5.500 ⁺⁰⁰³ / ₊₀₀₀	44.09
HU25-5.00-37	5	5-1/2	3/8	.413 ⁺⁰¹⁵ / ₊₀₀₀	5.000 ⁺⁰⁰⁰ / ₋₀₀₂	5.001 ⁺⁰⁰³ / ₊₀₀₀	5.500 ⁺⁰⁰³ / ₊₀₀₀	5.000 ⁺⁰⁰⁰ / ₋₀₀₃	5.499 ⁺⁰⁰⁰ / ₋₀₀₂	5.500 ⁺⁰⁰³ / ₊₀₀₀	55.80
HU25-5.00-56	5	5-1/2	9/16	.619 ⁺⁰¹⁵ / ₊₀₀₀	5.000 ⁺⁰⁰⁰ / ₋₀₀₂	5.001 ⁺⁰⁰³ / ₊₀₀₀	5.500 ⁺⁰⁰³ / ₊₀₀₀	5.000 ⁺⁰⁰⁰ / ₋₀₀₃	5.499 ⁺⁰⁰⁰ / ₋₀₀₂	5.500 ⁺⁰⁰³ / ₊₀₀₀	55.80
HU25-5.50-25	5-1/2	6	1/4	.275 ⁺⁰¹⁵ / ₊₀₀₀	5.500 ⁺⁰⁰⁰ / ₋₀₀₂	5.501 ⁺⁰⁰³ / ₊₀₀₀	6.000 ⁺⁰⁰³ / ₊₀₀₀	5.500 ⁺⁰⁰⁰ / ₋₀₀₃	5.999 ⁺⁰⁰⁰ / ₋₀₀₂	6.000 ⁺⁰⁰³ / ₊₀₀₀	48.17
HU25-5.50-37	5-1/2	6	3/8	.413 ⁺⁰¹⁵ / ₊₀₀₀	5.500 ⁺⁰⁰⁰ / ₋₀₀₂	5.501 ⁺⁰⁰³ / ₊₀₀₀	6.000 ⁺⁰⁰³ / ₊₀₀₀	5.500 ⁺⁰⁰⁰ / ₋₀₀₃	5.999 ⁺⁰⁰⁰ / ₋₀₀₂	6.000 ⁺⁰⁰³ / ₊₀₀₀	48.17
HU25-5.50-56	5-1/2	6	9/16	.619 ⁺⁰¹⁵ / ₊₀₀₀	5.500 ⁺⁰⁰⁰ / ₋₀₀₂	5.501 ⁺⁰⁰³ / ₊₀₀₀	6.000 ⁺⁰⁰³ / ₊₀₀₀	5.500 ⁺⁰⁰⁰ / ₋₀₀₃	5.999 ⁺⁰⁰⁰ / ₋₀₀₂	6.000 ⁺⁰⁰³ / ₊₀₀₀	48.17
HU25-5.75-25	5-3/4	6-1/4	1/4	.275 ⁺⁰¹⁵ / ₊₀₀₀	5.750 ⁺⁰⁰⁰ / ₋₀₀₂	5.751 ⁺⁰⁰³ / ₊₀₀₀	6.250 ⁺⁰⁰³ / ₊₀₀₀	5.750 ⁺⁰⁰⁰ / ₋₀₀₃	6.249 ⁺⁰⁰⁰ / ₋₀₀₂	6.250 ⁺⁰⁰³ / ₊₀₀₀	48.94
HU25-6.00-56	6	6-1/2	9/16	.619 ⁺⁰¹⁵ / ₊₀₀₀	6.000 ⁺⁰⁰⁰ / ₋₀₀₂	6.001 ⁺⁰⁰³ / ₊₀₀₀	6.500 ⁺⁰⁰³ / ₊₀₀₀	6.000 ⁺⁰⁰⁰ / ₋₀₀₃	6.499 ⁺⁰⁰⁰ / ₋₀₀₂	6.500 ⁺⁰⁰³ / ₊₀₀₀	50.75
HU25-6.50-25	6-1/2	7	1/4	.275 ⁺⁰¹⁵ / ₊₀₀₀	6.500 ⁺⁰⁰⁰ / ₋₀₀₂	6.501 ⁺⁰⁰³ / ₊₀₀₀	7.000 ⁺⁰⁰³ / ₊₀₀₀	6.500 ⁺⁰⁰⁰ / ₋₀₀₃	6.999 ⁺⁰⁰⁰ / ₋₀₀₂	7.000 ⁺⁰⁰³ / ₊₀₀₀	56.18
9/32" C/S											
HU28-5.00-34	5	5-9/16	11/32	.379 ⁺⁰¹⁵ / ₊₀₀₀	5.000 ⁺⁰⁰⁰ / ₋₀₀₂	5.001 ⁺⁰⁰³ / ₊₀₀₀	5.563 ⁺⁰⁰³ / ₊₀₀₀	5.000 ⁺⁰⁰⁰ / ₋₀₀₃	5.562 ⁺⁰⁰⁰ / ₋₀₀₂	5.563 ⁺⁰⁰³ / ₊₀₀₀	\$58.62
5/16" C/S											
HU31-1.25-37	1-1/4	1-7/8	3/8	.413 ⁺⁰¹⁵ / ₊₀₀₀	1.250 ⁺⁰⁰⁰ / ₋₀₀₂	1.251 ⁺⁰⁰³ / ₊₀₀₀	1.875 ⁺⁰⁰⁴ / ₊₀₀₀	1.250 ⁺⁰⁰⁰ / ₋₀₀₄	1.874 ⁺⁰⁰⁰ / ₋₀₀₂	1.875 ⁺⁰⁰³ / ₊₀₀₀	\$11.40
HU31-1.37-31	1-3/8	2	5/16	.344 ⁺⁰¹⁵ / ₊₀₀₀	1.375 ⁺⁰⁰⁰ / ₋₀₀₂	1.376 ⁺⁰⁰³ / ₊₀₀₀	2.000 ⁺⁰⁰⁴ / ₊₀₀₀	1.375 ⁺⁰⁰⁰ / ₋₀₀₄	1.999 ⁺⁰⁰⁰ / ₋₀₀₂	2.000 ⁺⁰⁰³ / ₊₀₀₀	11.60
HU31-1.75-31	1-3/4	2-3/8	5/16	.344 ⁺⁰¹⁵ / ₊₀₀₀	1.750 ⁺⁰⁰⁰ / ₋₀₀₂	1.751 ⁺⁰⁰³ / ₊₀₀₀	2.375 ⁺⁰⁰⁴ / ₊₀₀₀	1.750 ⁺⁰⁰⁰ / ₋₀₀₄	2.374 ⁺⁰⁰⁰ / ₋₀₀₂	2.375 ⁺⁰⁰³ / ₊₀₀₀	12.88
HU31-2.00-50	2	2-5/8	1/2	.550 ⁺⁰¹⁵ / ₊₀₀₀	2.000 ⁺⁰⁰⁰ / ₋₀₀₂	2.001 ⁺⁰⁰³ / ₊₀₀₀	2.625 ⁺⁰⁰⁴ / ₊₀₀₀	2.000 ⁺⁰⁰⁰ / ₋₀₀₄	2.624 ⁺⁰⁰⁰ / ₋₀₀₂	2.625 ⁺⁰⁰³ / ₊₀₀₀	14.38
HU31-2.25-50	2-1/4	2-7/8	1/2	.550 ⁺⁰¹⁵ / ₊₀₀₀	2.250 ⁺⁰⁰⁰ / ₋₀₀₂	2.251 ⁺⁰⁰³ / ₊₀₀₀	2.875 ⁺⁰⁰⁴ / ₊₀₀₀	2.250 ⁺⁰⁰⁰ / ₋₀₀₄	2.874 ⁺⁰⁰⁰ / ₋₀₀₂	2.875 ⁺⁰⁰³ / ₊₀₀₀	17.70
HU31-2.37-31	2-3/8	3	5/16	.344 ⁺⁰¹⁵ / ₊₀₀₀	2.375 ⁺⁰⁰⁰ / ₋₀₀₂	2.376 ⁺⁰⁰³ / ₊₀₀₀	3.000 ⁺⁰⁰⁴ / ₊₀₀₀	2.375 ⁺⁰⁰⁰ / ₋₀₀₄	2.999 ⁺⁰⁰⁰ / ₋₀₀₂	3.000 ⁺⁰⁰³ / ₊₀₀₀	17.20
HU31-2.50-50	2-1/2	3-1/8	1/2	.550 ⁺⁰¹⁵ / ₊₀₀₀	2.500 ⁺⁰⁰⁰ / ₋₀₀₂	2.501 ⁺⁰⁰³ / ₊₀₀₀	3.125 ⁺⁰⁰⁴ / ₊₀₀₀	2.500 ⁺⁰⁰⁰ / ₋₀₀₄	3.124 ⁺⁰⁰⁰ / ₋₀₀₂	3.125 ⁺⁰⁰³ / ₊₀₀₀	18.34

FORMERLY LISTED REPAIR PARTS ARE AVAILABLE ONLINE AT WWW.HERCULESUS.COM OR BY CONTACTING YOUR REGIONAL HERCULES SALES TEAM.

STYLE HU SYMMETRICAL URETHANE U-SEALS

U-SEALS

Part Number	A Nom. ID	B Nom. OD	C Nom. Ht	D GROOVE WIDTH	E ROD DIAMETER	F THROAT DIAMETER	G HOUSING DIAMETER	H GROOVE DIAMETER	I PISTON DIAMETER	J BORE DIAMETER	List Price
HU31-3.87-50	3-7/8	4-1/2	1/2	.550 +.015 +0.000	3.875 +.000 -.002	3.876 +.003 +0.000	4.500 +.004 +0.000	3.875 +.000 -.004	4.499 +.000 -.002	4.500 +.003 +0.000	26.54
HU31-5.25-62	5-1/4	5-7/8	5/8	.688 +.015 +0.000	5.250 +.000 -.002	5.251 +.003 +0.000	5.875 +.004 +0.000	5.250 +.000 -.004	5.874 +.000 -.002	5.875 +.003 +0.000	38.24
HU31-5.37-37	5-3/8	6	3/8	.413 +.015 +0.000	5.375 +.000 -.002	5.376 +.003 +0.000	6.000 +.004 +0.000	5.375 +.000 -.004	5.999 +.000 -.002	6.000 +.003 +0.000	39.25
HU31-5.37-50	5-3/8	6	1/2	.550 +.015 +0.000	5.375 +.000 -.002	5.376 +.003 +0.000	6.000 +.004 +0.000	5.375 +.000 -.004	5.999 +.000 -.002	6.000 +.003 +0.000	42.26
HU31-5.37-62	5-3/8	6	5/8	.688 +.015 +0.000	5.375 +.000 -.002	5.376 +.003 +0.000	6.000 +.004 +0.000	5.375 +.000 -.004	5.999 +.000 -.002	6.000 +.003 +0.000	43.33
HU31-5.50-37	5-1/2	6-1/8	3/8	.413 +.015 +0.000	5.500 +.000 -.002	5.501 +.003 +0.000	6.125 +.004 +0.000	5.500 +.000 -.004	6.124 +.000 -.002	6.125 +.003 +0.000	68.28
HU31-6.50-62	6-1/2	7-1/8	5/8	.688 +.015 +0.000	6.500 +.000 -.002	6.501 +.003 +0.000	7.125 +.004 +0.000	6.500 +.000 -.004	7.124 +.000 -.002	7.125 +.003 +0.000	50.93
3/8" C/S											
HU37-2.25-50	2-1/4	3	1/2	.550 +.015 +0.000	2.250 +.000 -.002	2.251 +.004 +0.000	3.000 +.005 +0.000	2.250 +.000 -.005	2.999 +.000 -.002	3.000 +.004 +0.000	\$21.89
HU37-2.50-37	2-1/2	3-1/4	3/8	.413 +.015 +0.000	2.500 +.000 -.002	2.501 +.004 +0.000	3.250 +.005 +0.000	2.500 +.000 -.005	3.249 +.000 -.002	3.250 +.004 +0.000	22.66
HU37-2.62-62	2-5/8	3-3/8	5/8	.688 +.015 +0.000	2.625 +.000 -.002	2.626 +.004 +0.000	3.375 +.005 +0.000	2.625 +.000 -.005	3.374 +.000 -.002	3.375 +.004 +0.000	25.67
HU37-2.75-50	2-3/4	3-1/2	1/2	.550 +.015 +0.000	2.750 +.000 -.002	2.751 +.004 +0.000	3.500 +.005 +0.000	2.750 +.000 -.005	3.499 +.000 -.002	3.500 +.004 +0.000	26.36
HU37-2.75-62	2-3/4	3-1/2	5/8	.688 +.015 +0.000	2.750 +.000 -.002	2.751 +.004 +0.000	3.500 +.005 +0.000	2.750 +.000 -.005	3.499 +.000 -.002	3.500 +.004 +0.000	26.63
HU37-3.00-62	3	3-3/4	5/8	.688 +.015 +0.000	3.000 +.000 -.002	3.001 +.004 +0.000	3.750 +.005 +0.000	3.000 +.000 -.005	3.749 +.000 -.002	3.750 +.004 +0.000	29.05
HU37-3.12-62	3-1/8	3-7/8	5/8	.688 +.015 +0.000	3.125 +.000 -.002	3.126 +.004 +0.000	3.875 +.005 +0.000	3.125 +.000 -.005	3.874 +.000 -.002	3.875 +.004 +0.000	29.41
HU37-3.25-37	3-1/4	4	3/8	.413 +.015 +0.000	3.250 +.000 -.002	3.251 +.004 +0.000	4.000 +.005 +0.000	3.250 +.000 -.005	3.999 +.000 -.002	4.000 +.004 +0.000	29.54
HU37-3.25-50	3-1/4	4	1/2	.550 +.015 +0.000	3.250 +.000 -.002	3.251 +.004 +0.000	4.000 +.005 +0.000	3.250 +.000 -.005	3.999 +.000 -.002	4.000 +.004 +0.000	29.54
HU37-3.37-87	3-3/8	4-1/8	7/8	.963 +.015 +0.000	3.375 +.000 -.002	3.376 +.004 +0.000	4.125 +.005 +0.000	3.375 +.000 -.005	4.124 +.000 -.002	4.125 +.004 +0.000	63.91
HU37-3.75-50	3-3/4	4-1/2	1/2	.550 +.015 +0.000	3.750 +.000 -.002	3.751 +.004 +0.000	4.500 +.005 +0.000	3.750 +.000 -.005	4.499 +.000 -.002	4.500 +.004 +0.000	40.05
HU37-3.75-62	3-3/4	4-1/2	5/8	.688 +.015 +0.000	3.750 +.000 -.002	3.751 +.004 +0.000	4.500 +.005 +0.000	3.750 +.000 -.005	4.499 +.000 -.002	4.500 +.004 +0.000	40.05
HU37-4.25-37	4-1/4	5	3/8	.413 +.015 +0.000	4.250 +.000 -.002	4.251 +.004 +0.000	5.000 +.005 +0.000	4.250 +.000 -.005	4.999 +.000 -.002	5.000 +.004 +0.000	40.62
HU37-4.25-50	4-1/4	5	1/2	.550 +.015 +0.000	4.250 +.000 -.002	4.251 +.004 +0.000	5.000 +.005 +0.000	4.250 +.000 -.005	4.999 +.000 -.002	5.000 +.004 +0.000	38.65
HU37-4.25-62	4-1/4	5	5/8	.688 +.015 +0.000	4.250 +.000 -.002	4.251 +.004 +0.000	5.000 +.005 +0.000	4.250 +.000 -.005	4.999 +.000 -.002	5.000 +.004 +0.000	40.62
HU37-4.37-50	4-3/8	5-1/8	1/2	.550 +.015 +0.000	4.375 +.000 -.002	4.376 +.004 +0.000	5.125 +.005 +0.000	4.375 +.000 -.005	5.124 +.000 -.002	5.125 +.004 +0.000	53.27
HU37-4.50-37	4-1/2	5-1/4	3/8	.413 +.015 +0.000	4.500 +.000 -.002	4.501 +.004 +0.000	5.250 +.005 +0.000	4.500 +.000 -.005	5.249 +.000 -.002	5.250 +.004 +0.000	55.53
HU37-4.50-50	4-1/2	5-1/4	1/2	.550 +.015 +0.000	4.500 +.000 -.002	4.501 +.004 +0.000	5.250 +.005 +0.000	4.500 +.000 -.005	5.249 +.000 -.002	5.250 +.004 +0.000	42.23
HU37-4.75-50	4-3/4	5-1/2	1/2	.550 +.015 +0.000	4.750 +.000 -.002	4.751 +.004 +0.000	5.500 +.005 +0.000	4.750 +.000 -.005	5.499 +.000 -.002	5.500 +.004 +0.000	42.26
HU37-5.00-37	5	5-3/4	3/8	.413 +.015 +0.000	5.000 +.000 -.002	5.001 +.004 +0.000	5.750 +.005 +0.000	5.000 +.000 -.005	5.749 +.000 -.002	5.750 +.004 +0.000	61.00
HU37-5.00-50	5	5-3/4	1/2	.550 +.015 +0.000	5.000 +.000 -.002	5.001 +.004 +0.000	5.750 +.005 +0.000	5.000 +.000 -.005	5.749 +.000 -.002	5.750 +.004 +0.000	45.41
HU37-5.25-37	5-1/4	6	3/8	.413 +.015 +0.000	5.250 +.000 -.002	5.251 +.004 +0.000	6.000 +.005 +0.000	5.250 +.000 -.005	5.999 +.000 -.002	6.000 +.004 +0.000	45.83
HU37-5.25-50	5-1/4	6	1/2	.550 +.015 +0.000	5.250 +.000 -.002	5.251 +.004 +0.000	6.000 +.005 +0.000	5.250 +.000 -.005	5.999 +.000 -.002	6.000 +.004 +0.000	47.31
HU37-5.25-62	5-1/4	6	5/8	.688 +.015 +0.000	5.250 +.000 -.002	5.251 +.004 +0.000	6.000 +.005 +0.000	5.250 +.000 -.005	5.999 +.000 -.002	6.000 +.004 +0.000	48.09
HU37-5.50-62	5-1/2	6-1/4	5/8	.688 +.015 +0.000	5.500 +.000 -.002	5.501 +.004 +0.000	6.250 +.005 +0.000	5.500 +.000 -.005	6.249 +.000 -.002	6.250 +.004 +0.000	49.08

STYLE HU SYMMETRICAL URETHANE U-SEALS



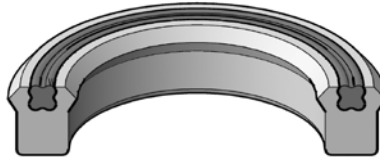
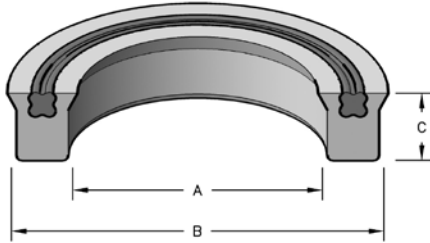
U-SEALS

Part Number	A Nom. ID	B Nom. OD	C Nom. Ht	D GROOVE WIDTH	E ROD DIAMETER	F THROAT DIAMETER	G HOUSING DIAMETER	H GROOVE DIAMETER	I PISTON DIAMETER	J BORE DIAMETER	List Price
HU37-6.00-50	6	6-3/4	1/2	.550 +.015 +0.000	6.000 +.000 -.002	6.001 +.004 +0.000	6.750 +.005 +0.000	6.000 +.000 -.005	6.749 +.000 -.002	6.750 +.004 +0.000	95.23
HU37-6.25-37	6-1/4	7	3/8	.413 +.015 +0.000	6.250 +.000 -.002	6.251 +.004 +0.000	7.000 +.005 +0.000	6.250 +.000 -.005	6.999 +.000 -.002	7.000 +.004 +0.000	52.25
HU37-6.25-50	6-1/4	7	1/2	.550 +.015 +0.000	6.250 +.000 -.002	6.251 +.004 +0.000	7.000 +.005 +0.000	6.250 +.000 -.005	6.999 +.000 -.002	7.000 +.004 +0.000	55.54
HU37-6.25-62	6-1/4	7	5/8	.688 +.015 +0.000	6.250 +.000 -.002	6.251 +.004 +0.000	7.000 +.005 +0.000	6.250 +.000 -.005	6.999 +.000 -.002	7.000 +.004 +0.000	56.61
HU37-6.50-37	6-1/2	7-1/4	3/8	.413 +.015 +0.000	6.500 +.000 -.002	6.501 +.004 +0.000	7.250 +.005 +0.000	6.500 +.000 -.005	7.249 +.000 -.002	7.250 +.004 +0.000	83.62
HU37-6.50-62	6-1/2	7-1/4	5/8	.688 +.015 +0.000	6.500 +.000 -.002	6.501 +.004 +0.000	7.250 +.005 +0.000	6.500 +.000 -.005	7.249 +.000 -.002	7.250 +.004 +0.000	57.62
HU37-7.25-37	7-1/4	8	3/8	.413 +.015 +0.000	7.250 +.000 -.002	7.251 +.004 +0.000	8.000 +.005 +0.000	7.250 +.000 -.005	7.999 +.000 -.002	8.000 +.004 +0.000	83.60
HU37-7.25-62	7-1/4	8	5/8	.688 +.015 +0.000	7.250 +.000 -.002	7.251 +.004 +0.000	8.000 +.005 +0.000	7.250 +.000 -.005	7.999 +.000 -.002	8.000 +.004 +0.000	58.18
1/2" C/S											
HU50-3.00-50	3	4	1/2	.550 +.015 +0.000	3.000 +.000 -.003	3.001 +.005 +0.000	4.000 +.007 +0.000	3.000 +.000 -.007	3.999 +.000 -.003	4.000 +.005 +0.000	\$52.93
HU50-4.00-50	4	5	1/2	.550 +.015 +0.000	4.000 +.000 -.003	4.001 +.005 +0.000	5.000 +.007 +0.000	4.000 +.000 -.007	4.999 +.000 -.003	5.000 +.005 +0.000	68.05
HU50-4.00-62	4	5	5/8	.688 +.015 +0.000	4.000 +.000 -.003	4.001 +.005 +0.000	5.000 +.007 +0.000	4.000 +.000 -.007	4.999 +.000 -.003	5.000 +.005 +0.000	68.05
HU50-5.00-50	5	6	1/2	.550 +.015 +0.000	5.000 +.000 -.003	5.001 +.005 +0.000	6.000 +.007 +0.000	5.000 +.000 -.007	5.999 +.000 -.003	6.000 +.005 +0.000	83.12
HU50-5.00-75	5	6	3/4	.825 +.015 +0.000	5.000 +.000 -.003	5.001 +.005 +0.000	6.000 +.007 +0.000	5.000 +.000 -.007	5.999 +.000 -.003	6.000 +.005 +0.000	62.97
HU50-6.00-50	6	7	1/2	.550 +.015 +0.000	6.000 +.000 -.003	6.001 +.005 +0.000	7.000 +.007 +0.000	6.000 +.000 -.007	6.999 +.000 -.003	7.000 +.005 +0.000	142.14

Seal color may vary. Special order sizes are available. Sizes not shown and out of stock items can also be ordered for next day delivery through Seals On Demand, our custom seal program. Please call your regional sales team for assistance.

STYLE UPU PREMIUM U-SEALS

Style UPU Premium U-Seals are molded from ultra tough urethane for severe service conditions. They feature higher tensile strength and modulus for extrusion resistance. These seals are used in high energy services such as rock drills and shock absorbing devices where high internal heat is generated.

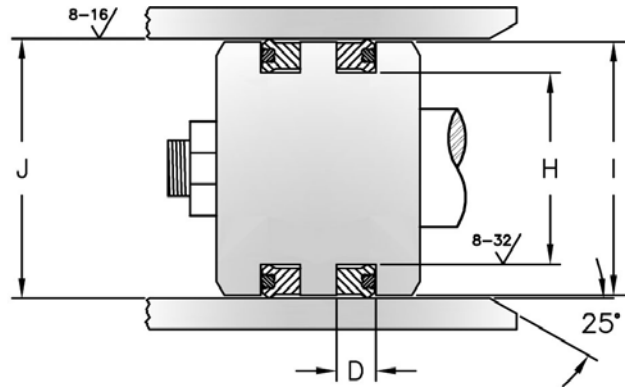
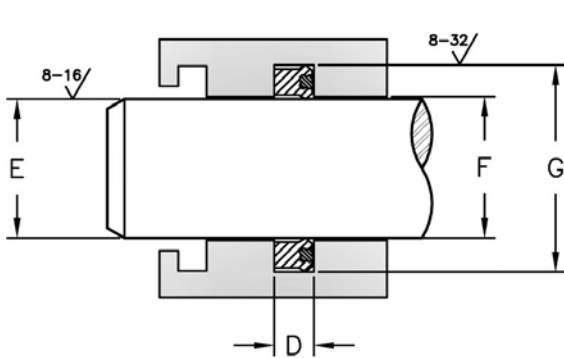


HERCULES PART NUMBERS

UPU 12 - 0.75 - 25B

Type of Seal Cross Section Inside Diameter Height

SEAL INFORMATION	
MATERIAL	93A URETHANE
TEMPERATURE RANGE	-65° TO +300° F
PRESSURE RANGE	0 TO 5,000 PSI
SPEED	3 FT/SEC



Standard -
Height and cross section are equal, thus giving a square seal. Utilizes type "D" lip
Typical Part Number UPU25-2.50



Deep -
Utilizes the same "D" lip, but the seal height is greater than the cross section, thus giving a rectangular shape.
Typical Part Number UPU25-2.50-37D



Type SQB -
Same dimensions as the Standard seal. Beveled lip design provides better film breaking. Utilizes type "B" lip.
Typical Part Number UPU25-2.50-SQB



Type B -
Same dimensions as the Deep seal. Beveled lip design provides better film breaking. Utilizes type "B" lip.
Typical Part Number UPU25-2.50-37B

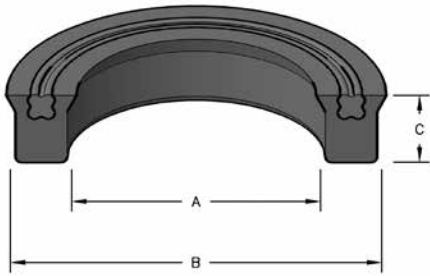
These parts will no longer be available once the current stock has been depleted. Suggested alternates for the UPU U-Seals are RU9, Style 850 BPM and Style 800 high temperature.

Part Number	A Nom. ID	B Nom. OD	C Nom. Ht	D GROOVE WIDTH	E ROD DIAMETER	F THROAT DIAMETER	G HOUSING DIAMETER	H GROOVE DIAMETER	I PISTON DIAMETER	J BORE DIAMETER	List Price
UPU18-1.62-37B	1-5/8	2	3/8	.413 ^{+0.015} / _{+0.000}	1.625 ^{+0.000} / _{-0.002}	1.626 ^{+0.002} / _{+0.000}	2.000 ^{+0.002} / _{+0.000}	1.625 ^{+0.000} / _{-0.002}	1.998 ^{+0.000} / _{-0.002}	2.000 ^{+0.002} / _{+0.000}	\$43.36
1/4" C/S											
UPU25-2.25-37B	2-1/4	2-3/4	3/8	.413 ^{+0.015} / _{+0.000}	2.250 ^{+0.000} / _{-0.002}	2.251 ^{+0.003} / _{+0.000}	2.750 ^{+0.003} / _{+0.000}	2.250 ^{+0.000} / _{-0.003}	2.748 ^{+0.000} / _{-0.002}	2.750 ^{+0.003} / _{+0.000}	\$63.10

STYLE 800 POLYURETHANE U-SEALS



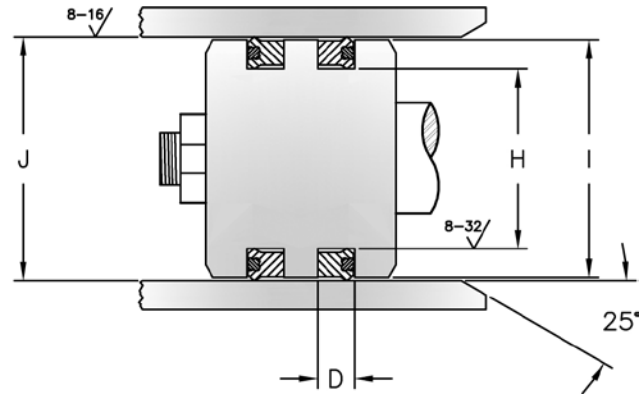
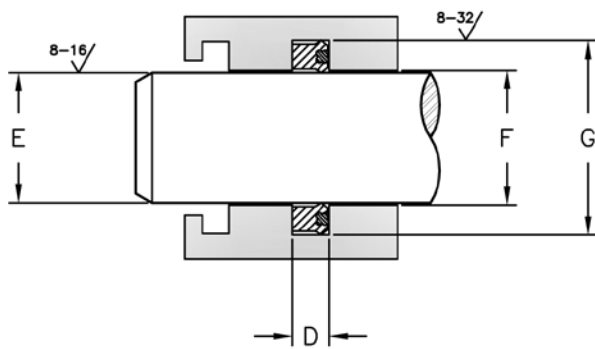
Style 800 U-seals are molded from tough, abrasion-resistant polyurethane. The four lobed expander ring energizes the sealing lips, even at zero pressure, to help prevent "weeping" when the system is idle.



HERCULES PART NUMBERS

U 12 - 0.18 - 25B
 Type of Seal Cross Section Inside Diameter Height

SEAL INFORMATION	
MATERIAL	95A URETHANE
TEMPERATURE RANGE	-65° TO +220° F
PRESSURE RANGE	0 TO 5,000 PSI
SPEED	3 FT/SEC



Standard -
 Height and cross section are equal, thus giving a square seal. Utilizes type "D" lip
 Typical Part Number U25-2.50



Deep -
 Utilizes the same "D" lip, but the seal height is greater than the cross section, thus giving a rectangular shape.
 Typical Part Number U25-2.50-37D



Type SQB -
 Same dimensions as the Standard seal. Beveled lip design provides better film breaking. Utilizes type "B" lip.
 Typical Part Number U25-2.50-SQB



Type B -
 Same dimensions as the Deep seal. Beveled lip design provides better film breaking. Utilizes type "B" lip.
 Typical Part Number U25-2.50-37B

Part Number	A Nom. ID	B Nom. OD	C Nom. Ht	D GROOVE WIDTH	E ROD DIAMETER	F THROAT DIAMETER	G HOUSING DIAMETER	H GROOVE DIAMETER	I PISTON DIAMETER	J BORE DIAMETER	List Price
1/8" C/S											
U12-0.12	1/8	3/8	1/8	.138 ^{+0.015} / _{+0.000}	.125 ^{+0.000} / _{-.001}	.126 ^{+0.002} / _{+0.000}	.375 ^{+0.002} / _{+0.000}	.125 ^{+0.000} / _{-.002}	.374 ^{+0.000} / _{-.001}	.375 ^{+0.002} / _{+0.000}	\$6.48
U12-0.14	9/64	25/64	1/8	.138 ^{+0.015} / _{+0.000}	.140 ^{+0.000} / _{-.001}	.142 ^{+0.002} / _{+0.000}	.391 ^{+0.002} / _{+0.000}	.140 ^{+0.000} / _{-.002}	.390 ^{+0.000} / _{-.001}	.391 ^{+0.002} / _{+0.000}	6.48
U12-0.18	3/16	7/16	1/8	.138 ^{+0.015} / _{+0.000}	.187 ^{+0.000} / _{-.001}	.189 ^{+0.002} / _{+0.000}	.438 ^{+0.002} / _{+0.000}	.187 ^{+0.000} / _{-.002}	.436 ^{+0.000} / _{-.001}	.438 ^{+0.002} / _{+0.000}	6.48
U12-0.18-25B	3/16	7/16	1/4	.275 ^{+0.015} / _{+0.000}	.187 ^{+0.000} / _{-.001}	.189 ^{+0.002} / _{+0.000}	.438 ^{+0.002} / _{+0.000}	.187 ^{+0.000} / _{-.002}	.436 ^{+0.000} / _{-.001}	.438 ^{+0.002} / _{+0.000}	6.69
U12-0.25	1/4	1/2	1/8	.138 ^{+0.015} / _{+0.000}	.250 ^{+0.000} / _{-.001}	.251 ^{+0.002} / _{+0.000}	.500 ^{+0.002} / _{+0.000}	.250 ^{+0.000} / _{-.002}	.499 ^{+0.000} / _{-.001}	.500 ^{+0.002} / _{+0.000}	6.75
U12-0.25-SQB	1/4	1/2	1/8	.138 ^{+0.015} / _{+0.000}	.250 ^{+0.000} / _{-.001}	.251 ^{+0.002} / _{+0.000}	.500 ^{+0.002} / _{+0.000}	.250 ^{+0.000} / _{-.002}	.499 ^{+0.000} / _{-.001}	.500 ^{+0.002} / _{+0.000}	6.48
U12-0.25-25B	1/4	1/2	1/4	.275 ^{+0.015} / _{+0.000}	.250 ^{+0.000} / _{-.001}	.251 ^{+0.002} / _{+0.000}	.500 ^{+0.002} / _{+0.000}	.250 ^{+0.000} / _{-.002}	.499 ^{+0.000} / _{-.001}	.500 ^{+0.002} / _{+0.000}	6.87
U12-0.31	5/16	9/16	1/8	.138 ^{+0.015} / _{+0.000}	.312 ^{+0.000} / _{-.001}	.313 ^{+0.002} / _{+0.000}	.563 ^{+0.002} / _{+0.000}	.312 ^{+0.000} / _{-.002}	.562 ^{+0.000} / _{-.001}	.563 ^{+0.002} / _{+0.000}	8.32

STYLE 800 POLYURETHANE U-SEALS

U-SEALS

Part Number	A Nom. ID	B Nom. OD	C Nom. Ht	D GROOVE WIDTH	E ROD DIAMETER	F THROAT DIAMETER	G HOUSING DIAMETER	H GROOVE DIAMETER	I PISTON DIAMETER	J BORE DIAMETER	List Price
U12-0.31-SQB	5/16	9/16	1/8	.138 ^{+0.015} / _{+0.000}	.312 ^{+0.000} / _{-0.001}	.313 ^{+0.002} / _{+0.000}	.563 ^{+0.002} / _{+0.000}	.312 ^{+0.000} / _{-0.002}	.562 ^{+0.000} / _{-0.001}	.563 ^{+0.002} / _{+0.000}	6.48
U12-0.31-25B	5/16	9/16	1/4	.275 ^{+0.015} / _{+0.000}	.312 ^{+0.000} / _{-0.001}	.313 ^{+0.002} / _{+0.000}	.563 ^{+0.002} / _{+0.000}	.312 ^{+0.000} / _{-0.002}	.562 ^{+0.000} / _{-0.001}	.563 ^{+0.002} / _{+0.000}	7.32
U12-0.37	3/8	5/8	1/8	.138 ^{+0.015} / _{+0.000}	.375 ^{+0.000} / _{-0.001}	.376 ^{+0.002} / _{+0.000}	.625 ^{+0.002} / _{+0.000}	.375 ^{+0.000} / _{-0.002}	.624 ^{+0.000} / _{-0.001}	.625 ^{+0.002} / _{+0.000}	7.25
U12-0.37-SQB	3/8	5/8	1/8	.138 ^{+0.015} / _{+0.000}	.375 ^{+0.000} / _{-0.001}	.376 ^{+0.002} / _{+0.000}	.625 ^{+0.002} / _{+0.000}	.375 ^{+0.000} / _{-0.002}	.624 ^{+0.000} / _{-0.001}	.625 ^{+0.002} / _{+0.000}	6.48
U12-0.37-25B	3/8	5/8	1/4	.275 ^{+0.015} / _{+0.000}	.375 ^{+0.000} / _{-0.001}	.376 ^{+0.002} / _{+0.000}	.625 ^{+0.002} / _{+0.000}	.375 ^{+0.000} / _{-0.002}	.624 ^{+0.000} / _{-0.001}	.625 ^{+0.002} / _{+0.000}	7.35
U12-0.43	7/16	11/16	1/8	.138 ^{+0.015} / _{+0.000}	.437 ^{+0.000} / _{-0.001}	.439 ^{+0.002} / _{+0.000}	.688 ^{+0.002} / _{+0.000}	.437 ^{+0.000} / _{-0.002}	.687 ^{+0.000} / _{-0.001}	.688 ^{+0.002} / _{+0.000}	7.25
U12-0.43-SQB	7/16	11/16	1/8	.138 ^{+0.015} / _{+0.000}	.437 ^{+0.000} / _{-0.001}	.439 ^{+0.002} / _{+0.000}	.688 ^{+0.002} / _{+0.000}	.437 ^{+0.000} / _{-0.002}	.687 ^{+0.000} / _{-0.001}	.688 ^{+0.002} / _{+0.000}	6.48
U12-0.43-25B	7/16	11/16	1/4	.275 ^{+0.015} / _{+0.000}	.437 ^{+0.000} / _{-0.001}	.439 ^{+0.002} / _{+0.000}	.688 ^{+0.002} / _{+0.000}	.437 ^{+0.000} / _{-0.002}	.687 ^{+0.000} / _{-0.001}	.688 ^{+0.002} / _{+0.000}	7.36
U12-0.50	1/2	3/4	1/8	.138 ^{+0.015} / _{+0.000}	.500 ^{+0.000} / _{-0.001}	.501 ^{+0.002} / _{+0.000}	.750 ^{+0.002} / _{+0.000}	.500 ^{+0.000} / _{-0.002}	.749 ^{+0.000} / _{-0.001}	.750 ^{+0.002} / _{+0.000}	6.48
U12-0.50-SQB	1/2	3/4	1/8	.138 ^{+0.015} / _{+0.000}	.500 ^{+0.000} / _{-0.001}	.501 ^{+0.002} / _{+0.000}	.750 ^{+0.002} / _{+0.000}	.500 ^{+0.000} / _{-0.002}	.749 ^{+0.000} / _{-0.001}	.750 ^{+0.002} / _{+0.000}	6.48
U12-0.50CN	1/2	3/4	1/8	.138 ^{+0.015} / _{+0.000}	.500 ^{+0.000} / _{-0.001}	.501 ^{+0.002} / _{+0.000}	.750 ^{+0.002} / _{+0.000}	.500 ^{+0.000} / _{-0.002}	.749 ^{+0.000} / _{-0.001}	.750 ^{+0.002} / _{+0.000}	10.64
U12-0.50-25B	1/2	3/4	1/4	.275 ^{+0.015} / _{+0.000}	.500 ^{+0.000} / _{-0.001}	.501 ^{+0.002} / _{+0.000}	.750 ^{+0.002} / _{+0.000}	.500 ^{+0.000} / _{-0.002}	.749 ^{+0.000} / _{-0.001}	.750 ^{+0.002} / _{+0.000}	7.55
U12-0.56	9/16	13/16	1/8	.138 ^{+0.015} / _{+0.000}	.562 ^{+0.000} / _{-0.001}	.564 ^{+0.002} / _{+0.000}	.813 ^{+0.002} / _{+0.000}	.562 ^{+0.000} / _{-0.002}	.812 ^{+0.000} / _{-0.001}	.813 ^{+0.002} / _{+0.000}	7.66
U12-0.56-SQB	9/16	13/16	1/8	.138 ^{+0.015} / _{+0.000}	.562 ^{+0.000} / _{-0.001}	.564 ^{+0.002} / _{+0.000}	.813 ^{+0.002} / _{+0.000}	.562 ^{+0.000} / _{-0.002}	.812 ^{+0.000} / _{-0.001}	.813 ^{+0.002} / _{+0.000}	6.55
U12-0.56-25B	9/16	13/16	1/4	.275 ^{+0.015} / _{+0.000}	.562 ^{+0.000} / _{-0.001}	.564 ^{+0.002} / _{+0.000}	.813 ^{+0.002} / _{+0.000}	.562 ^{+0.000} / _{-0.002}	.812 ^{+0.000} / _{-0.001}	.813 ^{+0.002} / _{+0.000}	8.69
U12-0.62	5/8	7/8	1/8	.138 ^{+0.015} / _{+0.000}	.625 ^{+0.000} / _{-0.001}	.626 ^{+0.002} / _{+0.000}	.875 ^{+0.002} / _{+0.000}	.625 ^{+0.000} / _{-0.002}	.874 ^{+0.000} / _{-0.001}	.875 ^{+0.002} / _{+0.000}	6.66
U12-0.62-SQB	5/8	7/8	1/8	.138 ^{+0.015} / _{+0.000}	.625 ^{+0.000} / _{-0.001}	.626 ^{+0.002} / _{+0.000}	.875 ^{+0.002} / _{+0.000}	.625 ^{+0.000} / _{-0.002}	.874 ^{+0.000} / _{-0.001}	.875 ^{+0.002} / _{+0.000}	6.66
U12-0.62CN	5/8	7/8	1/8	.138 ^{+0.015} / _{+0.000}	.625 ^{+0.000} / _{-0.001}	.626 ^{+0.002} / _{+0.000}	.875 ^{+0.002} / _{+0.000}	.625 ^{+0.000} / _{-0.002}	.874 ^{+0.000} / _{-0.001}	.875 ^{+0.002} / _{+0.000}	13.49
U12-0.62-17B	5/8	7/8	.178	.196 ^{+0.010} / _{+0.000}	.625 ^{+0.000} / _{-0.001}	.626 ^{+0.002} / _{+0.000}	.875 ^{+0.002} / _{+0.000}	.625 ^{+0.000} / _{-0.002}	.874 ^{+0.000} / _{-0.001}	.875 ^{+0.002} / _{+0.000}	33.04
U12-0.62-25B	5/8	7/8	1/4	.275 ^{+0.015} / _{+0.000}	.625 ^{+0.000} / _{-0.001}	.626 ^{+0.002} / _{+0.000}	.875 ^{+0.002} / _{+0.000}	.625 ^{+0.000} / _{-0.002}	.874 ^{+0.000} / _{-0.001}	.875 ^{+0.002} / _{+0.000}	7.83
U12-0.62-25D	5/8	7/8	1/4	.275 ^{+0.015} / _{+0.000}	.625 ^{+0.000} / _{-0.001}	.626 ^{+0.002} / _{+0.000}	.875 ^{+0.002} / _{+0.000}	.625 ^{+0.000} / _{-0.002}	.874 ^{+0.000} / _{-0.001}	.875 ^{+0.002} / _{+0.000}	8.69
U12-0.68	11/16	15/16	1/8	.138 ^{+0.015} / _{+0.000}	.687 ^{+0.000} / _{-0.001}	.689 ^{+0.002} / _{+0.000}	.938 ^{+0.002} / _{+0.000}	.687 ^{+0.000} / _{-0.002}	.937 ^{+0.000} / _{-0.001}	.938 ^{+0.002} / _{+0.000}	7.05
U12-0.68-SQB	11/16	15/16	1/8	.138 ^{+0.015} / _{+0.000}	.687 ^{+0.000} / _{-0.001}	.689 ^{+0.002} / _{+0.000}	.938 ^{+0.002} / _{+0.000}	.687 ^{+0.000} / _{-0.002}	.937 ^{+0.000} / _{-0.001}	.938 ^{+0.002} / _{+0.000}	7.05
U12-0.68-25B	11/16	15/16	1/4	.275 ^{+0.015} / _{+0.000}	.687 ^{+0.000} / _{-0.001}	.689 ^{+0.002} / _{+0.000}	.938 ^{+0.002} / _{+0.000}	.687 ^{+0.000} / _{-0.002}	.937 ^{+0.000} / _{-0.001}	.938 ^{+0.002} / _{+0.000}	7.89
U12-0.75	3/4	1	1/8	.138 ^{+0.015} / _{+0.000}	.750 ^{+0.000} / _{-0.001}	.751 ^{+0.002} / _{+0.000}	1.000 ^{+0.002} / _{+0.000}	.750 ^{+0.000} / _{-0.002}	.999 ^{+0.000} / _{-0.001}	1.000 ^{+0.002} / _{+0.000}	6.87
U12-0.75-SQB	3/4	1	1/8	.138 ^{+0.015} / _{+0.000}	.750 ^{+0.000} / _{-0.001}	.751 ^{+0.002} / _{+0.000}	1.000 ^{+0.002} / _{+0.000}	.750 ^{+0.000} / _{-0.002}	.999 ^{+0.000} / _{-0.001}	1.000 ^{+0.002} / _{+0.000}	6.87
U12-0.75-18B	3/4	1	3/16	.206 ^{+0.015} / _{+0.000}	.750 ^{+0.000} / _{-0.001}	.751 ^{+0.002} / _{+0.000}	1.000 ^{+0.002} / _{+0.000}	.750 ^{+0.000} / _{-0.002}	.999 ^{+0.000} / _{-0.001}	1.000 ^{+0.002} / _{+0.000}	7.55
U12-0.75-25B	3/4	1	1/4	.275 ^{+0.015} / _{+0.000}	.750 ^{+0.000} / _{-0.001}	.751 ^{+0.002} / _{+0.000}	1.000 ^{+0.002} / _{+0.000}	.750 ^{+0.000} / _{-0.002}	.999 ^{+0.000} / _{-0.001}	1.000 ^{+0.002} / _{+0.000}	8.10
U12-0.75-25D	3/4	1	1/4	.275 ^{+0.015} / _{+0.000}	.750 ^{+0.000} / _{-0.001}	.751 ^{+0.002} / _{+0.000}	1.000 ^{+0.002} / _{+0.000}	.750 ^{+0.000} / _{-0.002}	.999 ^{+0.000} / _{-0.001}	1.000 ^{+0.002} / _{+0.000}	8.10
U12-0.81	13/16	1-1/16	1/8	.138 ^{+0.015} / _{+0.000}	.812 ^{+0.000} / _{-0.001}	.814 ^{+0.002} / _{+0.000}	1.063 ^{+0.002} / _{+0.000}	.812 ^{+0.000} / _{-0.002}	1.061 ^{+0.000} / _{-0.001}	1.063 ^{+0.002} / _{+0.000}	7.15
U12-0.81-SQB	13/16	1-1/16	1/8	.138 ^{+0.015} / _{+0.000}	.812 ^{+0.000} / _{-0.001}	.814 ^{+0.002} / _{+0.000}	1.063 ^{+0.002} / _{+0.000}	.812 ^{+0.000} / _{-0.002}	1.062 ^{+0.000} / _{-0.001}	1.063 ^{+0.002} / _{+0.000}	7.15
U12-0.81-25B	13/16	1-1/16	1/4	.275 ^{+0.015} / _{+0.000}	.812 ^{+0.000} / _{-0.001}	.814 ^{+0.002} / _{+0.000}	1.063 ^{+0.002} / _{+0.000}	.812 ^{+0.000} / _{-0.002}	1.061 ^{+0.000} / _{-0.001}	1.063 ^{+0.002} / _{+0.000}	8.24
U12-0.87	7/8	1-1/8	1/8	.138 ^{+0.015} / _{+0.000}	.875 ^{+0.000} / _{-0.001}	.876 ^{+0.002} / _{+0.000}	1.125 ^{+0.002} / _{+0.000}	.875 ^{+0.000} / _{-0.002}	1.124 ^{+0.000} / _{-0.001}	1.125 ^{+0.002} / _{+0.000}	7.15

STYLE 800 POLYURETHANE U-SEALS



U-SEALS

Part Number	A Nom. ID	B Nom. OD	C Nom. Ht	D GROOVE WIDTH	E ROD DIAMETER	F THROAT DIAMETER	G HOUSING DIAMETER	H GROOVE DIAMETER	I PISTON DIAMETER	J BORE DIAMETER	List Price
U12-0.87-SQB	7/8	1-1/8	1/8	.138 ⁺⁰¹⁵ / ₊₀₀₀	.875 ⁺⁰⁰⁰ / _{-.001}	.876 ⁺⁰⁰² / ₊₀₀₀	1.125 ⁺⁰⁰² / ₊₀₀₀	.875 ⁺⁰⁰⁰ / _{-.002}	1.124 ⁺⁰⁰⁰ / _{-.001}	1.125 ⁺⁰⁰² / ₊₀₀₀	7.15
U12-0.87-25B	7/8	1-1/8	1/4	.275 ⁺⁰¹⁵ / ₊₀₀₀	.875 ⁺⁰⁰⁰ / _{-.001}	.876 ⁺⁰⁰² / ₊₀₀₀	1.125 ⁺⁰⁰² / ₊₀₀₀	.875 ⁺⁰⁰⁰ / _{-.002}	1.124 ⁺⁰⁰⁰ / _{-.001}	1.125 ⁺⁰⁰² / ₊₀₀₀	8.39
U12-0.87-25D	7/8	1-1/8	1/4	.275 ⁺⁰¹⁵ / ₊₀₀₀	.875 ⁺⁰⁰⁰ / _{-.001}	.876 ⁺⁰⁰² / ₊₀₀₀	1.125 ⁺⁰⁰² / ₊₀₀₀	.875 ⁺⁰⁰⁰ / _{-.002}	1.124 ⁺⁰⁰⁰ / _{-.001}	1.125 ⁺⁰⁰² / ₊₀₀₀	9.81
U12-0.93	15/16	1-3/16	1/8	.138 ⁺⁰¹⁵ / ₊₀₀₀	.937 ⁺⁰⁰⁰ / _{-.001}	.939 ⁺⁰⁰² / ₊₀₀₀	1.188 ⁺⁰⁰² / ₊₀₀₀	.937 ⁺⁰⁰⁰ / _{-.002}	1.187 ⁺⁰⁰⁰ / _{-.001}	1.188 ⁺⁰⁰² / ₊₀₀₀	7.36
U12-0.93-25B	15/16	1-3/16	1/4	.275 ⁺⁰¹⁵ / ₊₀₀₀	.937 ⁺⁰⁰⁰ / _{-.001}	.939 ⁺⁰⁰² / ₊₀₀₀	1.188 ⁺⁰⁰² / ₊₀₀₀	.937 ⁺⁰⁰⁰ / _{-.002}	1.187 ⁺⁰⁰⁰ / _{-.001}	1.188 ⁺⁰⁰² / ₊₀₀₀	8.69
U12-1.00	1	1-1/4	1/8	.138 ⁺⁰¹⁵ / ₊₀₀₀	1.000 ⁺⁰⁰⁰ / _{-.001}	1.001 ⁺⁰⁰² / ₊₀₀₀	1.250 ⁺⁰⁰² / ₊₀₀₀	1.000 ⁺⁰⁰⁰ / _{-.002}	1.249 ⁺⁰⁰⁰ / _{-.001}	1.250 ⁺⁰⁰² / ₊₀₀₀	7.36
U12-1.00-SQB	1	1-1/4	1/8	.138 ⁺⁰¹⁵ / ₊₀₀₀	1.000 ⁺⁰⁰⁰ / _{-.001}	1.001 ⁺⁰⁰² / ₊₀₀₀	1.250 ⁺⁰⁰² / ₊₀₀₀	1.000 ⁺⁰⁰⁰ / _{-.002}	1.249 ⁺⁰⁰⁰ / _{-.001}	1.250 ⁺⁰⁰² / ₊₀₀₀	7.55
U12-1.00-18B	1	1-1/4	3/16	.206 ⁺⁰¹⁵ / ₊₀₀₀	1.000 ⁺⁰⁰⁰ / _{-.001}	1.001 ⁺⁰⁰² / ₊₀₀₀	1.250 ⁺⁰⁰² / ₊₀₀₀	1.000 ⁺⁰⁰⁰ / _{-.002}	1.249 ⁺⁰⁰⁰ / _{-.001}	1.250 ⁺⁰⁰² / ₊₀₀₀	11.18
U12-1.00-25B	1	1-1/4	1/4	.275 ⁺⁰¹⁵ / ₊₀₀₀	1.000 ⁺⁰⁰⁰ / _{-.001}	1.001 ⁺⁰⁰² / ₊₀₀₀	1.250 ⁺⁰⁰² / ₊₀₀₀	1.000 ⁺⁰⁰⁰ / _{-.002}	1.249 ⁺⁰⁰⁰ / _{-.001}	1.250 ⁺⁰⁰² / ₊₀₀₀	8.74
U12-1.00-25D	1	1-1/4	1/4	.275 ⁺⁰¹⁵ / ₊₀₀₀	1.000 ⁺⁰⁰⁰ / _{-.001}	1.001 ⁺⁰⁰² / ₊₀₀₀	1.250 ⁺⁰⁰² / ₊₀₀₀	1.000 ⁺⁰⁰⁰ / _{-.002}	1.249 ⁺⁰⁰⁰ / _{-.001}	1.250 ⁺⁰⁰² / ₊₀₀₀	8.74
U12-1.06-SQB	1-1/16	1-5/16	1/8	.138 ⁺⁰¹⁵ / ₊₀₀₀	1.062 ⁺⁰⁰⁰ / _{-.001}	1.063 ⁺⁰⁰² / ₊₀₀₀	1.313 ⁺⁰⁰² / ₊₀₀₀	1.062 ⁺⁰⁰⁰ / _{-.002}	1.311 ⁺⁰⁰⁰ / _{-.001}	1.313 ⁺⁰⁰² / ₊₀₀₀	7.72
U12-1.06-25B	1-1/16	1-5/16	1/4	.275 ⁺⁰¹⁵ / ₊₀₀₀	1.062 ⁺⁰⁰⁰ / _{-.001}	1.063 ⁺⁰⁰² / ₊₀₀₀	1.313 ⁺⁰⁰² / ₊₀₀₀	1.062 ⁺⁰⁰⁰ / _{-.002}	1.311 ⁺⁰⁰⁰ / _{-.001}	1.313 ⁺⁰⁰² / ₊₀₀₀	8.87
U12-1.12	1-1/8	1-3/8	1/8	.138 ⁺⁰¹⁵ / ₊₀₀₀	1.125 ⁺⁰⁰⁰ / _{-.001}	1.126 ⁺⁰⁰² / ₊₀₀₀	1.375 ⁺⁰⁰² / ₊₀₀₀	1.125 ⁺⁰⁰⁰ / _{-.002}	1.374 ⁺⁰⁰⁰ / _{-.001}	1.375 ⁺⁰⁰² / ₊₀₀₀	7.84
U12-1.12-SQB	1-1/8	1-3/8	1/8	.138 ⁺⁰¹⁵ / ₊₀₀₀	1.125 ⁺⁰⁰⁰ / _{-.001}	1.126 ⁺⁰⁰² / ₊₀₀₀	1.375 ⁺⁰⁰² / ₊₀₀₀	1.125 ⁺⁰⁰⁰ / _{-.002}	1.374 ⁺⁰⁰⁰ / _{-.001}	1.375 ⁺⁰⁰² / ₊₀₀₀	7.84
U12-1.12-18D	1-1/8	1-3/8	3/16	.206 ⁺⁰¹⁵ / ₊₀₀₀	1.125 ⁺⁰⁰⁰ / _{-.001}	1.126 ⁺⁰⁰² / ₊₀₀₀	1.375 ⁺⁰⁰² / ₊₀₀₀	1.125 ⁺⁰⁰⁰ / _{-.002}	1.374 ⁺⁰⁰⁰ / _{-.001}	1.375 ⁺⁰⁰² / ₊₀₀₀	13.31
U12-1.12-25B	1-1/8	1-3/8	1/4	.275 ⁺⁰¹⁵ / ₊₀₀₀	1.125 ⁺⁰⁰⁰ / _{-.001}	1.126 ⁺⁰⁰² / ₊₀₀₀	1.375 ⁺⁰⁰² / ₊₀₀₀	1.125 ⁺⁰⁰⁰ / _{-.002}	1.374 ⁺⁰⁰⁰ / _{-.001}	1.375 ⁺⁰⁰² / ₊₀₀₀	9.10
U12-1.12-25D	1-1/8	1-3/8	1/4	.275 ⁺⁰¹⁵ / ₊₀₀₀	1.125 ⁺⁰⁰⁰ / _{-.001}	1.126 ⁺⁰⁰² / ₊₀₀₀	1.375 ⁺⁰⁰² / ₊₀₀₀	1.125 ⁺⁰⁰⁰ / _{-.002}	1.374 ⁺⁰⁰⁰ / _{-.001}	1.375 ⁺⁰⁰² / ₊₀₀₀	9.10
U12-1.18	1-3/16	1-7/16	1/8	.138 ⁺⁰¹⁵ / ₊₀₀₀	1.187 ⁺⁰⁰⁰ / _{-.001}	1.189 ⁺⁰⁰² / ₊₀₀₀	1.438 ⁺⁰⁰² / ₊₀₀₀	1.187 ⁺⁰⁰⁰ / _{-.002}	1.436 ⁺⁰⁰⁰ / _{-.001}	1.438 ⁺⁰⁰² / ₊₀₀₀	7.89
U12-1.18-18B	1-3/16	1-7/16	3/16	.206 ⁺⁰¹⁵ / ₊₀₀₀	1.187 ⁺⁰⁰⁰ / _{-.001}	1.189 ⁺⁰⁰² / ₊₀₀₀	1.438 ⁺⁰⁰² / ₊₀₀₀	1.187 ⁺⁰⁰⁰ / _{-.002}	1.436 ⁺⁰⁰⁰ / _{-.001}	1.438 ⁺⁰⁰² / ₊₀₀₀	9.61
U12-1.18-25B	1-3/16	1-7/16	1/4	.275 ⁺⁰¹⁵ / ₊₀₀₀	1.187 ⁺⁰⁰⁰ / _{-.001}	1.189 ⁺⁰⁰² / ₊₀₀₀	1.438 ⁺⁰⁰² / ₊₀₀₀	1.187 ⁺⁰⁰⁰ / _{-.002}	1.436 ⁺⁰⁰⁰ / _{-.001}	1.438 ⁺⁰⁰² / ₊₀₀₀	9.61
U12-1.25	1-1/4	1-1/2	1/8	.138 ⁺⁰¹⁵ / ₊₀₀₀	1.250 ⁺⁰⁰⁰ / _{-.001}	1.251 ⁺⁰⁰² / ₊₀₀₀	1.500 ⁺⁰⁰² / ₊₀₀₀	1.250 ⁺⁰⁰⁰ / _{-.002}	1.499 ⁺⁰⁰⁰ / _{-.001}	1.500 ⁺⁰⁰² / ₊₀₀₀	8.14
U12-1.25-SQB	1-1/4	1-1/2	1/8	.138 ⁺⁰¹⁵ / ₊₀₀₀	1.250 ⁺⁰⁰⁰ / _{-.001}	1.251 ⁺⁰⁰² / ₊₀₀₀	1.500 ⁺⁰⁰² / ₊₀₀₀	1.250 ⁺⁰⁰⁰ / _{-.002}	1.499 ⁺⁰⁰⁰ / _{-.001}	1.500 ⁺⁰⁰² / ₊₀₀₀	8.14
U12-1.25-18B	1-1/4	1-1/2	3/16	.206 ⁺⁰¹⁵ / ₊₀₀₀	1.250 ⁺⁰⁰⁰ / _{-.001}	1.251 ⁺⁰⁰² / ₊₀₀₀	1.500 ⁺⁰⁰² / ₊₀₀₀	1.250 ⁺⁰⁰⁰ / _{-.002}	1.499 ⁺⁰⁰⁰ / _{-.001}	1.500 ⁺⁰⁰² / ₊₀₀₀	9.81
U12-1.25-25B	1-1/4	1-1/2	1/4	.275 ⁺⁰¹⁵ / ₊₀₀₀	1.250 ⁺⁰⁰⁰ / _{-.001}	1.251 ⁺⁰⁰² / ₊₀₀₀	1.500 ⁺⁰⁰² / ₊₀₀₀	1.250 ⁺⁰⁰⁰ / _{-.002}	1.499 ⁺⁰⁰⁰ / _{-.001}	1.500 ⁺⁰⁰² / ₊₀₀₀	9.81
U12-1.25-25D	1-1/4	1-1/2	1/4	.275 ⁺⁰¹⁵ / ₊₀₀₀	1.250 ⁺⁰⁰⁰ / _{-.001}	1.251 ⁺⁰⁰² / ₊₀₀₀	1.500 ⁺⁰⁰² / ₊₀₀₀	1.250 ⁺⁰⁰⁰ / _{-.002}	1.499 ⁺⁰⁰⁰ / _{-.001}	1.500 ⁺⁰⁰² / ₊₀₀₀	9.81
U12-1.31	1-5/16	1-9/16	1/8	.138 ⁺⁰¹⁵ / ₊₀₀₀	1.312 ⁺⁰⁰⁰ / _{-.001}	1.313 ⁺⁰⁰² / ₊₀₀₀	1.563 ⁺⁰⁰² / ₊₀₀₀	1.312 ⁺⁰⁰⁰ / _{-.002}	1.561 ⁺⁰⁰⁰ / _{-.001}	1.563 ⁺⁰⁰² / ₊₀₀₀	8.66
U12-1.31-SQB	1-5/16	1-9/16	1/8	.138 ⁺⁰¹⁵ / ₊₀₀₀	1.312 ⁺⁰⁰⁰ / _{-.001}	1.313 ⁺⁰⁰² / ₊₀₀₀	1.563 ⁺⁰⁰² / ₊₀₀₀	1.312 ⁺⁰⁰⁰ / _{-.002}	1.561 ⁺⁰⁰⁰ / _{-.001}	1.563 ⁺⁰⁰² / ₊₀₀₀	8.66
U12-1.31-18B	1-5/16	1-9/16	3/16	.206 ⁺⁰¹⁵ / ₊₀₀₀	1.312 ⁺⁰⁰⁰ / _{-.001}	1.313 ⁺⁰⁰² / ₊₀₀₀	1.563 ⁺⁰⁰² / ₊₀₀₀	1.312 ⁺⁰⁰⁰ / _{-.002}	1.561 ⁺⁰⁰⁰ / _{-.001}	1.563 ⁺⁰⁰² / ₊₀₀₀	9.77
U12-1.37-SQB	1-3/8	1-5/8	1/8	.138 ⁺⁰¹⁵ / ₊₀₀₀	1.375 ⁺⁰⁰⁰ / _{-.001}	1.376 ⁺⁰⁰² / ₊₀₀₀	1.625 ⁺⁰⁰² / ₊₀₀₀	1.375 ⁺⁰⁰⁰ / _{-.002}	1.624 ⁺⁰⁰⁰ / _{-.001}	1.625 ⁺⁰⁰² / ₊₀₀₀	8.69
U12-1.37-18D	1-3/8	1-5/8	3/16	.206 ⁺⁰¹⁵ / ₊₀₀₀	1.375 ⁺⁰⁰⁰ / _{-.001}	1.376 ⁺⁰⁰² / ₊₀₀₀	1.625 ⁺⁰⁰² / ₊₀₀₀	1.375 ⁺⁰⁰⁰ / _{-.002}	1.624 ⁺⁰⁰⁰ / _{-.001}	1.625 ⁺⁰⁰² / ₊₀₀₀	9.77
U12-1.37-25B	1-3/8	1-5/8	1/4	.275 ⁺⁰¹⁵ / ₊₀₀₀	1.375 ⁺⁰⁰⁰ / _{-.001}	1.376 ⁺⁰⁰² / ₊₀₀₀	1.625 ⁺⁰⁰² / ₊₀₀₀	1.375 ⁺⁰⁰⁰ / _{-.002}	1.624 ⁺⁰⁰⁰ / _{-.001}	1.625 ⁺⁰⁰² / ₊₀₀₀	9.77
U12-1.43-SQB	1-7/16	1-11/16	1/8	.138 ⁺⁰¹⁵ / ₊₀₀₀	1.437 ⁺⁰⁰⁰ / _{-.001}	1.439 ⁺⁰⁰² / ₊₀₀₀	1.688 ⁺⁰⁰² / ₊₀₀₀	1.437 ⁺⁰⁰⁰ / _{-.002}	1.686 ⁺⁰⁰⁰ / _{-.001}	1.688 ⁺⁰⁰² / ₊₀₀₀	10.14
U12-1.43-25B	1-7/16	1-11/16	1/4	.275 ⁺⁰¹⁵ / ₊₀₀₀	1.437 ⁺⁰⁰⁰ / _{-.001}	1.439 ⁺⁰⁰² / ₊₀₀₀	1.688 ⁺⁰⁰² / ₊₀₀₀	1.437 ⁺⁰⁰⁰ / _{-.002}	1.686 ⁺⁰⁰⁰ / _{-.001}	1.688 ⁺⁰⁰² / ₊₀₀₀	10.04

STYLE 800 POLYURETHANE U-SEALS

U-SEALS

Part Number	A Nom. ID	B Nom. OD	C Nom. Ht	D GROOVE WIDTH	E ROD DIAMETER	F THROAT DIAMETER	G HOUSING DIAMETER	H GROOVE DIAMETER	I PISTON DIAMETER	J BORE DIAMETER	List Price
U12-1.50	1-1/2	1-3/4	1/8	.138 ^{+0.015} / _{+0.000}	1.500 ^{+0.000} / _{-0.001}	1.501 ^{+0.002} / _{+0.000}	1.750 ^{+0.002} / _{+0.000}	1.500 ^{+0.000} / _{-0.002}	1.749 ^{+0.000} / _{-0.001}	1.750 ^{+0.002} / _{+0.000}	8.74
U12-1.50-SQB	1-1/2	1-3/4	1/8	.138 ^{+0.015} / _{+0.000}	1.500 ^{+0.000} / _{-0.001}	1.501 ^{+0.002} / _{+0.000}	1.750 ^{+0.002} / _{+0.000}	1.500 ^{+0.000} / _{-0.002}	1.749 ^{+0.000} / _{-0.001}	1.750 ^{+0.002} / _{+0.000}	8.74
U12-1.50-18B	1-1/2	1-3/4	3/16	.206 ^{+0.015} / _{+0.000}	1.500 ^{+0.000} / _{-0.001}	1.501 ^{+0.002} / _{+0.000}	1.750 ^{+0.002} / _{+0.000}	1.500 ^{+0.000} / _{-0.002}	1.749 ^{+0.000} / _{-0.001}	1.750 ^{+0.002} / _{+0.000}	10.47
U12-1.50-25B	1-1/2	1-3/4	1/4	.275 ^{+0.015} / _{+0.000}	1.500 ^{+0.000} / _{-0.001}	1.501 ^{+0.002} / _{+0.000}	1.750 ^{+0.002} / _{+0.000}	1.500 ^{+0.000} / _{-0.002}	1.749 ^{+0.000} / _{-0.001}	1.750 ^{+0.002} / _{+0.000}	10.24
U12-1.56	1-9/16	1-13/16	1/8	.138 ^{+0.015} / _{+0.000}	1.562 ^{+0.000} / _{-0.001}	1.564 ^{+0.002} / _{+0.000}	1.813 ^{+0.002} / _{+0.000}	1.562 ^{+0.000} / _{-0.002}	1.811 ^{+0.000} / _{-0.001}	1.813 ^{+0.002} / _{+0.000}	9.07
U12-1.62	1-5/8	1-7/8	1/8	.138 ^{+0.015} / _{+0.000}	1.625 ^{+0.000} / _{-0.001}	1.626 ^{+0.002} / _{+0.000}	1.875 ^{+0.002} / _{+0.000}	1.625 ^{+0.000} / _{-0.002}	1.874 ^{+0.000} / _{-0.001}	1.875 ^{+0.002} / _{+0.000}	9.51
U12-1.62-SQB	1-5/8	1-7/8	1/8	.138 ^{+0.015} / _{+0.000}	1.625 ^{+0.000} / _{-0.001}	1.626 ^{+0.002} / _{+0.000}	1.875 ^{+0.002} / _{+0.000}	1.625 ^{+0.000} / _{-0.002}	1.874 ^{+0.000} / _{-0.001}	1.875 ^{+0.002} / _{+0.000}	9.51
U12-1.68	1-11/16	1-15/16	1/8	.138 ^{+0.015} / _{+0.000}	1.687 ^{+0.000} / _{-0.001}	1.689 ^{+0.002} / _{+0.000}	1.938 ^{+0.002} / _{+0.000}	1.687 ^{+0.000} / _{-0.002}	1.936 ^{+0.000} / _{-0.001}	1.938 ^{+0.002} / _{+0.000}	20.94
U12-1.75	1-3/4	2	1/8	.138 ^{+0.015} / _{+0.000}	1.750 ^{+0.000} / _{-0.001}	1.751 ^{+0.002} / _{+0.000}	2.000 ^{+0.002} / _{+0.000}	1.750 ^{+0.000} / _{-0.002}	1.999 ^{+0.000} / _{-0.001}	2.000 ^{+0.002} / _{+0.000}	13.72
U12-1.75-SQB	1-3/4	2	1/8	.138 ^{+0.015} / _{+0.000}	1.750 ^{+0.000} / _{-0.001}	1.751 ^{+0.002} / _{+0.000}	2.000 ^{+0.002} / _{+0.000}	1.750 ^{+0.000} / _{-0.002}	1.999 ^{+0.000} / _{-0.001}	2.000 ^{+0.002} / _{+0.000}	9.33
U12-1.75-25B	1-3/4	2	1/4	.275 ^{+0.015} / _{+0.000}	1.750 ^{+0.000} / _{-0.001}	1.751 ^{+0.002} / _{+0.000}	2.000 ^{+0.002} / _{+0.000}	1.750 ^{+0.000} / _{-0.002}	1.999 ^{+0.000} / _{-0.001}	2.000 ^{+0.002} / _{+0.000}	11.18
U12-1.75-25D	1-3/4	2	1/4	.275 ^{+0.015} / _{+0.000}	1.750 ^{+0.000} / _{-0.001}	1.751 ^{+0.002} / _{+0.000}	2.000 ^{+0.002} / _{+0.000}	1.750 ^{+0.000} / _{-0.002}	1.999 ^{+0.000} / _{-0.001}	2.000 ^{+0.002} / _{+0.000}	11.18
U12-1.87	1-7/8	2-1/8	1/8	.138 ^{+0.015} / _{+0.000}	1.875 ^{+0.000} / _{-0.001}	1.876 ^{+0.002} / _{+0.000}	2.125 ^{+0.002} / _{+0.000}	1.875 ^{+0.000} / _{-0.002}	2.124 ^{+0.000} / _{-0.001}	2.125 ^{+0.002} / _{+0.000}	9.97
U12-2.00	2	2-1/4	1/8	.138 ^{+0.015} / _{+0.000}	2.000 ^{+0.000} / _{-0.001}	2.001 ^{+0.002} / _{+0.000}	2.250 ^{+0.002} / _{+0.000}	2.000 ^{+0.000} / _{-0.002}	2.249 ^{+0.000} / _{-0.001}	2.250 ^{+0.002} / _{+0.000}	10.23
U12-2.00-25B	2	2-1/4	1/4	.275 ^{+0.015} / _{+0.000}	2.000 ^{+0.000} / _{-0.001}	2.001 ^{+0.002} / _{+0.000}	2.250 ^{+0.002} / _{+0.000}	2.000 ^{+0.000} / _{-0.002}	2.249 ^{+0.000} / _{-0.001}	2.250 ^{+0.002} / _{+0.000}	10.40
U12-2.00-25D	2	2-1/4	1/4	.275 ^{+0.015} / _{+0.000}	2.000 ^{+0.000} / _{-0.001}	2.001 ^{+0.002} / _{+0.000}	2.250 ^{+0.002} / _{+0.000}	2.000 ^{+0.000} / _{-0.002}	2.249 ^{+0.000} / _{-0.001}	2.250 ^{+0.002} / _{+0.000}	16.36
U12-2.12	2-1/8	2-3/8	1/8	.138 ^{+0.015} / _{+0.000}	2.125 ^{+0.000} / _{-0.001}	2.126 ^{+0.002} / _{+0.000}	2.375 ^{+0.002} / _{+0.000}	2.125 ^{+0.000} / _{-0.002}	2.374 ^{+0.000} / _{-0.001}	2.375 ^{+0.002} / _{+0.000}	10.47
U12-2.12-25D	2-1/8	2-3/8	1/4	.275 ^{+0.015} / _{+0.000}	2.125 ^{+0.000} / _{-0.001}	2.126 ^{+0.002} / _{+0.000}	2.375 ^{+0.002} / _{+0.000}	2.125 ^{+0.000} / _{-0.002}	2.374 ^{+0.000} / _{-0.001}	2.375 ^{+0.002} / _{+0.000}	16.43
U12-2.25	2-1/4	2-1/2	1/8	.138 ^{+0.015} / _{+0.000}	2.250 ^{+0.000} / _{-0.001}	2.251 ^{+0.002} / _{+0.000}	2.500 ^{+0.002} / _{+0.000}	2.250 ^{+0.000} / _{-0.002}	2.499 ^{+0.000} / _{-0.001}	2.500 ^{+0.002} / _{+0.000}	10.73
U12-2.25-37D	2-1/4	2-1/2	3/8	.413 ^{+0.015} / _{+0.000}	2.250 ^{+0.000} / _{-0.001}	2.251 ^{+0.002} / _{+0.000}	2.500 ^{+0.002} / _{+0.000}	2.250 ^{+0.000} / _{-0.002}	2.499 ^{+0.000} / _{-0.001}	2.500 ^{+0.002} / _{+0.000}	13.74
U12-2.37	2-3/8	2-5/8	1/8	.138 ^{+0.015} / _{+0.000}	2.375 ^{+0.000} / _{-0.001}	2.376 ^{+0.002} / _{+0.000}	2.625 ^{+0.002} / _{+0.000}	2.375 ^{+0.000} / _{-0.002}	2.624 ^{+0.000} / _{-0.001}	2.625 ^{+0.002} / _{+0.000}	10.48
U12-2.37-18B	2-3/8	2-5/8	3/16	.206 ^{+0.015} / _{+0.000}	2.375 ^{+0.000} / _{-0.001}	2.376 ^{+0.002} / _{+0.000}	2.625 ^{+0.002} / _{+0.000}	2.375 ^{+0.000} / _{-0.002}	2.624 ^{+0.000} / _{-0.001}	2.625 ^{+0.002} / _{+0.000}	11.05
U12-2.50	2-1/2	2-3/4	1/8	.138 ^{+0.015} / _{+0.000}	2.500 ^{+0.000} / _{-0.001}	2.501 ^{+0.002} / _{+0.000}	2.750 ^{+0.002} / _{+0.000}	2.500 ^{+0.000} / _{-0.002}	2.749 ^{+0.000} / _{-0.001}	2.750 ^{+0.002} / _{+0.000}	11.27
U12-2.50-SQB	2-1/2	2-3/4	1/8	.138 ^{+0.015} / _{+0.000}	2.500 ^{+0.000} / _{-0.001}	2.501 ^{+0.002} / _{+0.000}	2.750 ^{+0.002} / _{+0.000}	2.500 ^{+0.000} / _{-0.002}	2.749 ^{+0.000} / _{-0.001}	2.750 ^{+0.002} / _{+0.000}	11.27
U12-2.50-25B	2-1/2	2-3/4	1/4	.275 ^{+0.015} / _{+0.000}	2.500 ^{+0.000} / _{-0.001}	2.501 ^{+0.002} / _{+0.000}	2.750 ^{+0.002} / _{+0.000}	2.500 ^{+0.000} / _{-0.002}	2.749 ^{+0.000} / _{-0.001}	2.750 ^{+0.002} / _{+0.000}	11.11
U12-2.75	2-3/4	3	1/8	.138 ^{+0.015} / _{+0.000}	2.750 ^{+0.000} / _{-0.001}	2.751 ^{+0.002} / _{+0.000}	3.000 ^{+0.002} / _{+0.000}	2.750 ^{+0.000} / _{-0.002}	2.999 ^{+0.000} / _{-0.001}	3.000 ^{+0.002} / _{+0.000}	12.02
U12-2.75-25B	2-3/4	3	1/4	.275 ^{+0.015} / _{+0.000}	2.750 ^{+0.000} / _{-0.001}	2.751 ^{+0.002} / _{+0.000}	3.000 ^{+0.002} / _{+0.000}	2.750 ^{+0.000} / _{-0.002}	2.999 ^{+0.000} / _{-0.001}	3.000 ^{+0.002} / _{+0.000}	13.64
U12-2.75-37B	2-3/4	3	3/8	.413 ^{+0.015} / _{+0.000}	2.750 ^{+0.000} / _{-0.001}	2.751 ^{+0.002} / _{+0.000}	3.000 ^{+0.002} / _{+0.000}	2.750 ^{+0.000} / _{-0.002}	2.999 ^{+0.000} / _{-0.001}	3.000 ^{+0.002} / _{+0.000}	14.08
U12-2.87	2-7/8	3-1/8	1/8	.138 ^{+0.015} / _{+0.000}	2.875 ^{+0.000} / _{-0.001}	2.876 ^{+0.002} / _{+0.000}	3.125 ^{+0.002} / _{+0.000}	2.875 ^{+0.000} / _{-0.002}	3.124 ^{+0.000} / _{-0.001}	3.125 ^{+0.002} / _{+0.000}	13.64
U12-3.00	3	3-1/4	1/8	.138 ^{+0.015} / _{+0.000}	3.000 ^{+0.000} / _{-0.001}	3.001 ^{+0.002} / _{+0.000}	3.250 ^{+0.002} / _{+0.000}	3.000 ^{+0.000} / _{-0.002}	3.249 ^{+0.000} / _{-0.001}	3.250 ^{+0.002} / _{+0.000}	12.79
U12-3.12	3-1/8	3-3/8	1/8	.138 ^{+0.015} / _{+0.000}	3.125 ^{+0.000} / _{-0.001}	3.126 ^{+0.002} / _{+0.000}	3.375 ^{+0.002} / _{+0.000}	3.125 ^{+0.000} / _{-0.002}	3.374 ^{+0.000} / _{-0.001}	3.375 ^{+0.002} / _{+0.000}	21.37
U12-3.25	3-1/4	3-1/2	1/8	.138 ^{+0.015} / _{+0.000}	3.250 ^{+0.000} / _{-0.001}	3.251 ^{+0.002} / _{+0.000}	3.500 ^{+0.002} / _{+0.000}	3.250 ^{+0.000} / _{-0.002}	3.499 ^{+0.000} / _{-0.001}	3.500 ^{+0.002} / _{+0.000}	13.41
U12-3.50	3-1/2	3-3/4	1/8	.138 ^{+0.015} / _{+0.000}	3.500 ^{+0.000} / _{-0.001}	3.501 ^{+0.002} / _{+0.000}	3.750 ^{+0.002} / _{+0.000}	3.500 ^{+0.000} / _{-0.002}	3.749 ^{+0.000} / _{-0.001}	3.750 ^{+0.002} / _{+0.000}	14.68

STYLE 800 POLYURETHANE U-SEALS



U-SEALS

Part Number	A Nom. ID	B Nom. OD	C Nom. Ht	D GROOVE WIDTH	E ROD DIAMETER	F THROAT DIAMETER	G HOUSING DIAMETER	H GROOVE DIAMETER	I PISTON DIAMETER	J BORE DIAMETER	List Price
U12-3.62-18B	3-5/8	3-7/8	3/16	.206 +.015 +.000	3.625 +.000 -.001	3.626 +.002 +.000	3.875 +.002 +.000	3.625 +.000 -.002	3.874 +.000 -.001	3.875 +.002 +.000	17.99
U12-3.75	3-3/4	4	1/8	.138 +.015 +.000	3.750 +.000 -.001	3.751 +.002 +.000	4.000 +.002 +.000	3.750 +.000 -.002	3.999 +.000 -.001	4.000 +.002 +.000	21.14
U12-4.00	4	4-1/4	1/8	.138 +.015 +.000	4.000 +.000 -.001	4.001 +.002 +.000	4.250 +.002 +.000	4.000 +.000 -.002	4.249 +.000 -.001	4.250 +.002 +.000	21.84
U12-4.25	4-1/4	4-1/2	1/8	.138 +.015 +.000	4.250 +.000 -.001	4.251 +.002 +.000	4.500 +.002 +.000	4.250 +.000 -.002	4.499 +.000 -.001	4.500 +.002 +.000	21.92
U12-4.37	4-3/8	4-5/8	1/8	.138 +.015 +.000	4.375 +.000 -.001	4.376 +.002 +.000	4.625 +.002 +.000	4.375 +.000 -.002	4.624 +.000 -.001	4.625 +.002 +.000	22.18
U12-4.50	4-1/2	4-3/4	1/8	.138 +.015 +.000	4.500 +.000 -.001	4.501 +.002 +.000	4.750 +.002 +.000	4.500 +.000 -.002	4.749 +.000 -.001	4.750 +.002 +.000	27.74
U12-4.75	4-3/4	5	1/8	.138 +.015 +.000	4.750 +.000 -.001	4.751 +.002 +.000	5.000 +.002 +.000	4.750 +.000 -.002	4.999 +.000 -.001	5.000 +.002 +.000	28.64
5/32" C/S											
U15-1.00	1	1-5/16	5/32	.172 +.015 +.000	1.000 +.000 -.002	1.001 +.002 +.000	1.313 +.002 +.000	1.000 +.000 -.002	1.311 +.000 -.001	1.313 +.002 +.000	\$17.76
U15-1.00-SQB	1	1-5/16	5/32	.172 +.015 +.000	1.000 +.000 -.002	1.001 +.002 +.000	1.313 +.002 +.000	1.000 +.000 -.002	1.311 +.000 -.001	1.313 +.002 +.000	11.28
U15-1.00CN	1	1-5/16	5/32	.172 +.015 +.000	1.000 +.000 -.002	1.001 +.002 +.000	1.313 +.002 +.000	1.000 +.000 -.002	1.311 +.000 -.001	1.313 +.002 +.000	18.90
U15-1.00-23B	1	1-5/16	.23	.253 +.015 +.000	1.000 +.000 -.002	1.001 +.002 +.000	1.313 +.002 +.000	1.000 +.000 -.002	1.311 +.000 -.001	1.313 +.002 +.000	10.21
U15-1.12	1-1/8	1-7/16	5/32	.172 +.015 +.000	1.125 +.000 -.002	1.126 +.002 +.000	1.438 +.002 +.000	1.125 +.000 -.002	1.436 +.000 -.001	1.438 +.002 +.000	9.14
U15-1.18	1-3/16	1-1/2	5/32	.172 +.015 +.000	1.187 +.000 -.002	1.189 +.002 +.000	1.500 +.002 +.000	1.187 +.000 -.002	1.499 +.000 -.001	1.500 +.002 +.000	8.97
U15-1.25	1-1/4	1-9/16	5/32	.172 +.015 +.000	1.250 +.000 -.002	1.251 +.002 +.000	1.563 +.002 +.000	1.250 +.000 -.002	1.561 +.000 -.001	1.563 +.002 +.000	10.70
U15-1.37	1-3/8	1-11/16	5/32	.172 +.015 +.000	1.375 +.000 -.002	1.376 +.002 +.000	1.688 +.002 +.000	1.375 +.000 -.002	1.686 +.000 -.001	1.688 +.002 +.000	11.45
U15-1.37-SQB	1-3/8	1-11/16	5/32	.172 +.015 +.000	1.375 +.000 -.002	1.376 +.002 +.000	1.688 +.002 +.000	1.375 +.000 -.002	1.686 +.000 -.001	1.688 +.002 +.000	10.98
U15-1.37CN	1-3/8	1-11/16	5/32	.172 +.015 +.000	1.375 +.000 -.002	1.376 +.002 +.000	1.688 +.002 +.000	1.375 +.000 -.002	1.686 +.000 -.001	1.688 +.002 +.000	21.31
U15-1.50-31B	1-1/2	1-13/16	5/16	.344 +.015 +.000	1.500 +.000 -.002	1.501 +.002 +.000	1.813 +.002 +.000	1.500 +.000 -.002	1.811 +.000 -.001	1.813 +.002 +.000	12.21
3/16" C/S											
U18-0.18-SQB	3/16	9/16	3/16	.207 +.015 +.000	.187 +.000 -.002	.189 +.002 +.000	.563 +.002 +.000	.187 +.000 -.002	.562 +.000 -.002	.563 +.002 +.000	\$11.45
U18-0.25-SQB	1/4	5/8	3/16	.207 +.015 +.000	.250 +.000 -.002	.251 +.002 +.000	.625 +.002 +.000	.250 +.000 -.002	.624 +.000 -.002	.625 +.002 +.000	6.79
U18-0.31-SQB	5/16	11/16	3/16	.207 +.015 +.000	.312 +.000 -.002	.313 +.002 +.000	.688 +.002 +.000	.312 +.000 -.002	.687 +.000 -.002	.688 +.002 +.000	6.75
U18-0.37	3/8	3/4	3/16	.207 +.015 +.000	.375 +.000 -.002	.376 +.002 +.000	.750 +.002 +.000	.375 +.000 -.002	.749 +.000 -.002	.750 +.002 +.000	6.75
U18-0.37-SQB	3/8	3/4	3/16	.207 +.015 +.000	.375 +.000 -.002	.376 +.002 +.000	.750 +.002 +.000	.375 +.000 -.002	.749 +.000 -.002	.750 +.002 +.000	6.75
U18-0.37-31B	3/8	3/4	5/16	.344 +.015 +.000	.375 +.000 -.002	.376 +.002 +.000	.750 +.002 +.000	.375 +.000 -.002	.749 +.000 -.002	.750 +.002 +.000	7.83
U18-0.43	7/16	13/16	3/16	.207 +.015 +.000	.437 +.000 -.002	.439 +.002 +.000	.813 +.002 +.000	.437 +.000 -.002	.812 +.000 -.002	.813 +.002 +.000	7.07
U18-0.50	1/2	7/8	3/16	.207 +.015 +.000	.500 +.000 -.002	.501 +.002 +.000	.875 +.002 +.000	.500 +.000 -.002	.874 +.000 -.002	.875 +.002 +.000	7.07
U18-0.50-31B	1/2	7/8	5/16	.344 +.015 +.000	.500 +.000 -.002	.501 +.002 +.000	.875 +.002 +.000	.500 +.000 -.002	.874 +.000 -.002	.875 +.002 +.000	6.86
U18-0.56	9/16	15/16	3/16	.207 +.015 +.000	.562 +.000 -.002	.564 +.002 +.000	.938 +.002 +.000	.562 +.000 -.002	.937 +.000 -.002	.938 +.002 +.000	13.68
U18-0.62	5/8	1	3/16	.207 +.015 +.000	.625 +.000 -.002	.626 +.002 +.000	1.000 +.002 +.000	.625 +.000 -.002	.999 +.000 -.002	1.000 +.002 +.000	7.15
U18-0.62-SQB	5/8	1	3/16	.207 +.015 +.000	.625 +.000 -.002	.626 +.002 +.000	1.000 +.002 +.000	.625 +.000 -.002	.999 +.000 -.002	1.000 +.002 +.000	7.15
U18-0.62-31B	5/8	1	5/16	.344 +.015 +.000	.625 +.000 -.002	.626 +.002 +.000	1.000 +.002 +.000	.625 +.000 -.002	.999 +.000 -.002	1.000 +.002 +.000	8.03

STYLE 800 POLYURETHANE U-SEALS

U-SEALS

Part Number	A Nom. ID	B Nom. OD	C Nom. Ht	D GROOVE WIDTH	E ROD DIAMETER	F THROAT DIAMETER	G HOUSING DIAMETER	H GROOVE DIAMETER	I PISTON DIAMETER	J BORE DIAMETER	List Price
U18-0.62-31D	5/8	1	5/16	.344 ^{+0.015} / _{+0.000}	.625 ^{+0.000} / _{-.002}	.626 ^{+0.002} / _{+0.000}	1.000 ^{+0.002} / _{+0.000}	.625 ^{+0.000} / _{-.002}	.999 ^{+0.000} / _{-.002}	1.000 ^{+0.002} / _{+0.000}	14.99
U18-0.68	11/16	1-1/16	3/16	.207 ^{+0.015} / _{+0.000}	.687 ^{+0.000} / _{-.002}	.689 ^{+0.002} / _{+0.000}	1.063 ^{+0.002} / _{+0.000}	.687 ^{+0.000} / _{-.002}	1.061 ^{+0.000} / _{-.002}	1.063 ^{+0.002} / _{+0.000}	7.45
U18-0.75	3/4	1-1/8	3/16	.207 ^{+0.015} / _{+0.000}	.750 ^{+0.000} / _{-.002}	.751 ^{+0.002} / _{+0.000}	1.125 ^{+0.002} / _{+0.000}	.750 ^{+0.000} / _{-.002}	1.124 ^{+0.000} / _{-.002}	1.125 ^{+0.002} / _{+0.000}	7.60
U18-0.75-SQB	3/4	1-1/8	3/16	.207 ^{+0.015} / _{+0.000}	.750 ^{+0.000} / _{-.002}	.751 ^{+0.002} / _{+0.000}	1.125 ^{+0.002} / _{+0.000}	.750 ^{+0.000} / _{-.002}	1.124 ^{+0.000} / _{-.002}	1.125 ^{+0.002} / _{+0.000}	7.60
U18-0.75-31B	3/4	1-1/8	5/16	.344 ^{+0.015} / _{+0.000}	.750 ^{+0.000} / _{-.002}	.751 ^{+0.002} / _{+0.000}	1.125 ^{+0.002} / _{+0.000}	.750 ^{+0.000} / _{-.002}	1.124 ^{+0.000} / _{-.002}	1.125 ^{+0.002} / _{+0.000}	8.76
U18-0.75-31D	3/4	1-1/8	5/16	.344 ^{+0.015} / _{+0.000}	.750 ^{+0.000} / _{-.002}	.751 ^{+0.002} / _{+0.000}	1.125 ^{+0.002} / _{+0.000}	.750 ^{+0.000} / _{-.002}	1.124 ^{+0.000} / _{-.002}	1.125 ^{+0.002} / _{+0.000}	8.76
U18-0.81	13/16	1-3/16	3/16	.207 ^{+0.015} / _{+0.000}	.812 ^{+0.000} / _{-.002}	.814 ^{+0.002} / _{+0.000}	1.188 ^{+0.002} / _{+0.000}	.812 ^{+0.000} / _{-.002}	1.187 ^{+0.000} / _{-.002}	1.188 ^{+0.002} / _{+0.000}	8.03
U18-0.81-31B	13/16	1-3/16	5/16	.344 ^{+0.015} / _{+0.000}	.812 ^{+0.000} / _{-.002}	.814 ^{+0.002} / _{+0.000}	1.188 ^{+0.002} / _{+0.000}	.812 ^{+0.000} / _{-.002}	1.187 ^{+0.000} / _{-.002}	1.188 ^{+0.002} / _{+0.000}	9.09
U18-0.87	7/8	1-1/4	3/16	.207 ^{+0.015} / _{+0.000}	.875 ^{+0.000} / _{-.002}	.876 ^{+0.002} / _{+0.000}	1.250 ^{+0.002} / _{+0.000}	.875 ^{+0.000} / _{-.002}	1.249 ^{+0.000} / _{-.002}	1.250 ^{+0.002} / _{+0.000}	8.37
U18-0.87-SQB	7/8	1-1/4	3/16	.207 ^{+0.015} / _{+0.000}	.875 ^{+0.000} / _{-.002}	.876 ^{+0.002} / _{+0.000}	1.250 ^{+0.002} / _{+0.000}	.875 ^{+0.000} / _{-.002}	1.249 ^{+0.000} / _{-.002}	1.250 ^{+0.002} / _{+0.000}	8.37
U18-0.87-31B	7/8	1-1/4	5/16	.344 ^{+0.015} / _{+0.000}	.875 ^{+0.000} / _{-.002}	.876 ^{+0.002} / _{+0.000}	1.250 ^{+0.002} / _{+0.000}	.875 ^{+0.000} / _{-.002}	1.249 ^{+0.000} / _{-.002}	1.250 ^{+0.002} / _{+0.000}	9.29
U18-0.93	15/16	1-5/16	3/16	.207 ^{+0.015} / _{+0.000}	.937 ^{+0.000} / _{-.002}	.939 ^{+0.002} / _{+0.000}	1.313 ^{+0.002} / _{+0.000}	.937 ^{+0.000} / _{-.002}	1.311 ^{+0.000} / _{-.002}	1.313 ^{+0.002} / _{+0.000}	8.61
U18-1.00	1	1-3/8	3/16	.207 ^{+0.015} / _{+0.000}	1.000 ^{+0.000} / _{-.002}	1.001 ^{+0.002} / _{+0.000}	1.375 ^{+0.002} / _{+0.000}	1.000 ^{+0.000} / _{-.002}	1.374 ^{+0.000} / _{-.002}	1.375 ^{+0.002} / _{+0.000}	8.33
U18-1.00-SQB	1	1-3/8	3/16	.207 ^{+0.015} / _{+0.000}	1.000 ^{+0.000} / _{-.002}	1.001 ^{+0.002} / _{+0.000}	1.375 ^{+0.002} / _{+0.000}	1.000 ^{+0.000} / _{-.002}	1.374 ^{+0.000} / _{-.002}	1.375 ^{+0.002} / _{+0.000}	8.33
U18-1.00-25B	1	1-3/8	1/4	.275 ^{+0.015} / _{+0.000}	1.000 ^{+0.000} / _{-.002}	1.001 ^{+0.002} / _{+0.000}	1.375 ^{+0.002} / _{+0.000}	1.000 ^{+0.000} / _{-.002}	1.374 ^{+0.000} / _{-.002}	1.375 ^{+0.002} / _{+0.000}	9.33
U18-1.00-31B	1	1-3/8	5/16	.344 ^{+0.015} / _{+0.000}	1.000 ^{+0.000} / _{-.002}	1.001 ^{+0.002} / _{+0.000}	1.375 ^{+0.002} / _{+0.000}	1.000 ^{+0.000} / _{-.002}	1.374 ^{+0.000} / _{-.002}	1.375 ^{+0.002} / _{+0.000}	9.33
U18-1.00-31D	1	1-3/8	5/16	.344 ^{+0.015} / _{+0.000}	1.000 ^{+0.000} / _{-.002}	1.001 ^{+0.002} / _{+0.000}	1.375 ^{+0.002} / _{+0.000}	1.000 ^{+0.000} / _{-.002}	1.374 ^{+0.000} / _{-.002}	1.375 ^{+0.002} / _{+0.000}	10.84
U18-1.00-37B	1	1-3/8	3/8	.413 ^{+0.015} / _{+0.000}	1.000 ^{+0.000} / _{-.002}	1.001 ^{+0.002} / _{+0.000}	1.375 ^{+0.002} / _{+0.000}	1.000 ^{+0.000} / _{-.002}	1.374 ^{+0.000} / _{-.002}	1.375 ^{+0.002} / _{+0.000}	9.66
U18-1.06	1-1/16	1-7/16	3/16	.207 ^{+0.015} / _{+0.000}	1.062 ^{+0.000} / _{-.002}	1.063 ^{+0.002} / _{+0.000}	1.438 ^{+0.002} / _{+0.000}	1.062 ^{+0.000} / _{-.002}	1.437 ^{+0.000} / _{-.002}	1.438 ^{+0.002} / _{+0.000}	8.60
U18-1.06-31B	1-1/16	1-7/16	5/16	.344 ^{+0.015} / _{+0.000}	1.062 ^{+0.000} / _{-.002}	1.063 ^{+0.002} / _{+0.000}	1.438 ^{+0.002} / _{+0.000}	1.062 ^{+0.000} / _{-.002}	1.436 ^{+0.000} / _{-.002}	1.438 ^{+0.002} / _{+0.000}	9.47
U18-1.12	1-1/8	1-1/2	3/16	.207 ^{+0.015} / _{+0.000}	1.125 ^{+0.000} / _{-.002}	1.126 ^{+0.002} / _{+0.000}	1.500 ^{+0.002} / _{+0.000}	1.125 ^{+0.000} / _{-.002}	1.499 ^{+0.000} / _{-.002}	1.500 ^{+0.002} / _{+0.000}	8.74
U18-1.12-SQB	1-1/8	1-1/2	3/16	.207 ^{+0.015} / _{+0.000}	1.125 ^{+0.000} / _{-.002}	1.126 ^{+0.002} / _{+0.000}	1.500 ^{+0.002} / _{+0.000}	1.125 ^{+0.000} / _{-.002}	1.499 ^{+0.000} / _{-.002}	1.500 ^{+0.002} / _{+0.000}	8.74
U18-1.12-25B	1-1/8	1-1/2	1/4	.275 ^{+0.015} / _{+0.000}	1.125 ^{+0.000} / _{-.002}	1.126 ^{+0.002} / _{+0.000}	1.500 ^{+0.002} / _{+0.000}	1.125 ^{+0.000} / _{-.002}	1.499 ^{+0.000} / _{-.002}	1.500 ^{+0.002} / _{+0.000}	9.76
U18-1.12-31B	1-1/8	1-1/2	5/16	.344 ^{+0.015} / _{+0.000}	1.125 ^{+0.000} / _{-.002}	1.126 ^{+0.002} / _{+0.000}	1.500 ^{+0.002} / _{+0.000}	1.125 ^{+0.000} / _{-.002}	1.499 ^{+0.000} / _{-.002}	1.500 ^{+0.002} / _{+0.000}	9.76
U18-1.12-31D	1-1/8	1-1/2	5/16	.344 ^{+0.015} / _{+0.000}	1.125 ^{+0.000} / _{-.002}	1.126 ^{+0.002} / _{+0.000}	1.500 ^{+0.002} / _{+0.000}	1.125 ^{+0.000} / _{-.002}	1.499 ^{+0.000} / _{-.002}	1.500 ^{+0.002} / _{+0.000}	9.76
U18-1.12-37B	1-1/8	1-1/2	3/8	.413 ^{+0.015} / _{+0.000}	1.125 ^{+0.000} / _{-.002}	1.126 ^{+0.002} / _{+0.000}	1.500 ^{+0.002} / _{+0.000}	1.125 ^{+0.000} / _{-.002}	1.499 ^{+0.000} / _{-.002}	1.500 ^{+0.002} / _{+0.000}	10.84
U18-1.18	1-3/16	1-9/16	3/16	.207 ^{+0.015} / _{+0.000}	1.187 ^{+0.000} / _{-.002}	1.189 ^{+0.002} / _{+0.000}	1.563 ^{+0.002} / _{+0.000}	1.187 ^{+0.000} / _{-.002}	1.561 ^{+0.000} / _{-.002}	1.563 ^{+0.002} / _{+0.000}	9.07
U18-1.18-25B	1-3/16	1-9/16	1/4	.275 ^{+0.015} / _{+0.000}	1.187 ^{+0.000} / _{-.002}	1.189 ^{+0.002} / _{+0.000}	1.563 ^{+0.002} / _{+0.000}	1.187 ^{+0.000} / _{-.002}	1.561 ^{+0.000} / _{-.002}	1.563 ^{+0.002} / _{+0.000}	9.98
U18-1.18-31B	1-3/16	1-9/16	5/16	.344 ^{+0.015} / _{+0.000}	1.187 ^{+0.000} / _{-.002}	1.189 ^{+0.002} / _{+0.000}	1.563 ^{+0.002} / _{+0.000}	1.187 ^{+0.000} / _{-.002}	1.561 ^{+0.000} / _{-.002}	1.563 ^{+0.002} / _{+0.000}	11.67
U18-1.25	1-1/4	1-5/8	3/16	.207 ^{+0.015} / _{+0.000}	1.250 ^{+0.000} / _{-.002}	1.251 ^{+0.002} / _{+0.000}	1.625 ^{+0.002} / _{+0.000}	1.250 ^{+0.000} / _{-.002}	1.624 ^{+0.000} / _{-.002}	1.625 ^{+0.002} / _{+0.000}	9.10
U18-1.25-SQB	1-1/4	1-5/8	3/16	.207 ^{+0.015} / _{+0.000}	1.250 ^{+0.000} / _{-.002}	1.251 ^{+0.002} / _{+0.000}	1.625 ^{+0.002} / _{+0.000}	1.250 ^{+0.000} / _{-.002}	1.624 ^{+0.000} / _{-.002}	1.625 ^{+0.002} / _{+0.000}	9.10
U18-1.25-25B	1-1/4	1-5/8	1/4	.275 ^{+0.015} / _{+0.000}	1.250 ^{+0.000} / _{-.002}	1.251 ^{+0.002} / _{+0.000}	1.625 ^{+0.002} / _{+0.000}	1.250 ^{+0.000} / _{-.002}	1.624 ^{+0.000} / _{-.002}	1.625 ^{+0.002} / _{+0.000}	10.53
U18-1.25-26B	1-1/4	1-5/8	.26	.286 ^{+0.015} / _{+0.000}	1.250 ^{+0.000} / _{-.002}	1.251 ^{+0.002} / _{+0.000}	1.625 ^{+0.002} / _{+0.000}	1.250 ^{+0.000} / _{-.002}	1.624 ^{+0.000} / _{-.002}	1.625 ^{+0.002} / _{+0.000}	10.00

STYLE 800 POLYURETHANE U-SEALS



U-SEALS

Part Number	A Nom. ID	B Nom. OD	C Nom. Ht	D GROOVE WIDTH	E ROD DIAMETER	F THROAT DIAMETER	G HOUSING DIAMETER	H GROOVE DIAMETER	I PISTON DIAMETER	J BORE DIAMETER	List Price
U18-1.25-31B	1-1/4	1-5/8	5/16	.344 +.015 +0.000	1.250 +.000 -.002	1.251 +.002 +0.000	1.625 +.002 +0.000	1.250 +.000 -.002	1.624 +.000 -.002	1.625 +.002 +0.000	9.27
U18-1.25-31D	1-1/4	1-5/8	5/16	.344 +.015 +0.000	1.250 +.000 -.002	1.251 +.002 +0.000	1.625 +.002 +0.000	1.250 +.000 -.002	1.624 +.000 -.002	1.625 +.002 +0.000	9.27
U18-1.25-37B	1-1/4	1-5/8	3/8	.413 +.015 +0.000	1.250 +.000 -.002	1.251 +.002 +0.000	1.625 +.002 +0.000	1.250 +.000 -.002	1.624 +.000 -.002	1.625 +.002 +0.000	10.38
U18-1.31	1-5/16	1-11/16	3/16	.207 +.015 +0.000	1.312 +.000 -.002	1.313 +.002 +0.000	1.688 +.002 +0.000	1.312 +.000 -.002	1.686 +.000 -.002	1.688 +.002 +0.000	9.76
U18-1.31-SQB	1-5/16	1-11/16	3/16	.207 +.015 +0.000	1.312 +.000 -.002	1.313 +.002 +0.000	1.688 +.002 +0.000	1.312 +.000 -.002	1.686 +.000 -.002	1.688 +.002 +0.000	9.76
U18-1.31-31B	1-5/16	1-11/16	5/16	.344 +.015 +0.000	1.312 +.000 -.002	1.313 +.002 +0.000	1.688 +.002 +0.000	1.312 +.000 -.002	1.686 +.000 -.002	1.688 +.002 +0.000	10.38
U18-1.37	1-3/8	1-3/4	3/16	.207 +.015 +0.000	1.375 +.000 -.002	1.376 +.002 +0.000	1.750 +.002 +0.000	1.375 +.000 -.002	1.749 +.000 -.002	1.750 +.002 +0.000	9.47
U18-1.37-SQB	1-3/8	1-3/4	3/16	.207 +.015 +0.000	1.375 +.000 -.002	1.376 +.002 +0.000	1.750 +.002 +0.000	1.375 +.000 -.002	1.749 +.000 -.002	1.750 +.002 +0.000	9.47
U18-1.37-25B	1-3/8	1-3/4	1/4	.275 +.015 +0.000	1.375 +.000 -.002	1.376 +.002 +0.000	1.750 +.002 +0.000	1.375 +.000 -.002	1.749 +.000 -.002	1.750 +.002 +0.000	11.08
U18-1.37-26B	1-3/8	1-3/4	.266	.286 +.015 +0.000	1.375 +.000 -.002	1.313 +.002 +0.000	1.750 +.002 +0.000	1.375 +.000 -.002	1.749 +.000 -.002	1.750 +.002 +0.000	10.65
U18-1.37-31B	1-3/8	1-3/4	5/16	.344 +.015 +0.000	1.375 +.000 -.002	1.376 +.002 +0.000	1.750 +.002 +0.000	1.375 +.000 -.002	1.749 +.000 -.002	1.750 +.002 +0.000	10.60
U18-1.37-31D	1-3/8	1-3/4	5/16	.344 +.015 +0.000	1.375 +.000 -.002	1.376 +.002 +0.000	1.750 +.002 +0.000	1.375 +.000 -.002	1.749 +.000 -.002	1.750 +.002 +0.000	12.34
U18-1.37-37B	1-3/8	1-3/4	3/8	.413 +.015 +0.000	1.375 +.000 -.002	1.376 +.002 +0.000	1.750 +.002 +0.000	1.375 +.000 -.002	1.749 +.000 -.002	1.750 +.002 +0.000	11.05
U18-1.43	1-7/16	1-13/16	3/16	.207 +.015 +0.000	1.437 +.000 -.002	1.439 +.002 +0.000	1.813 +.002 +0.000	1.437 +.000 -.002	1.811 +.000 -.002	1.813 +.002 +0.000	9.98
U18-1.50	1-1/2	1-7/8	3/16	.207 +.015 +0.000	1.500 +.000 -.002	1.501 +.002 +0.000	1.875 +.002 +0.000	1.500 +.000 -.002	1.874 +.000 -.002	1.875 +.002 +0.000	9.51
U18-1.50-SQB	1-1/2	1-7/8	3/16	.207 +.015 +0.000	1.500 +.000 -.002	1.501 +.002 +0.000	1.875 +.002 +0.000	1.500 +.000 -.002	1.874 +.000 -.002	1.875 +.002 +0.000	9.51
U18-1.50-25B	1-1/2	1-7/8	1/4	.275 +.015 +0.000	1.500 +.000 -.002	1.501 +.002 +0.000	1.875 +.002 +0.000	1.500 +.000 -.002	1.874 +.000 -.002	1.875 +.002 +0.000	10.73
U18-1.50-26B	1-1/2	1-7/8	.26	.286 +.015 +0.000	1.500 +.000 -.002	1.501 +.002 +0.000	1.875 +.002 +0.000	1.500 +.000 -.002	1.874 +.000 -.002	1.875 +.002 +0.000	10.75
U18-1.50-29F	1-1/2	1-7/8	19/64	.327 +.015 +0.000	1.500 +.000 -.002	1.501 +.002 +0.000	1.875 +.002 +0.000	1.500 +.000 -.002	1.874 +.000 -.002	1.875 +.002 +0.000	23.11
U18-1.50-31B	1-1/2	1-7/8	5/16	.344 +.015 +0.000	1.500 +.000 -.002	1.501 +.002 +0.000	1.875 +.002 +0.000	1.500 +.000 -.002	1.874 +.000 -.002	1.875 +.002 +0.000	10.75
U18-1.50-37B	1-1/2	1-7/8	3/8	.413 +.015 +0.000	1.500 +.000 -.002	1.501 +.002 +0.000	1.875 +.002 +0.000	1.500 +.000 -.002	1.874 +.000 -.002	1.875 +.002 +0.000	10.75
U18-1.50-37D	1-1/2	1-7/8	3/8	.413 +.015 +0.000	1.500 +.000 -.002	1.501 +.002 +0.000	1.875 +.002 +0.000	1.500 +.000 -.002	1.874 +.000 -.002	1.875 +.002 +0.000	10.75
U18-1.56-37B	1-9/16	1-15/16	3/8	.413 +.015 +0.000	1.562 +.000 -.002	1.564 +.002 +0.000	1.938 +.002 +0.000	1.562 +.000 -.002	1.936 +.000 -.002	1.938 +.002 +0.000	11.18
U18-1.62	1-5/8	2	3/16	.207 +.015 +0.000	1.625 +.000 -.002	1.626 +.002 +0.000	2.000 +.002 +0.000	1.625 +.000 -.002	1.999 +.000 -.002	2.000 +.002 +0.000	10.14
U18-1.62-SQB	1-5/8	2	3/16	.207 +.015 +0.000	1.625 +.000 -.002	1.626 +.002 +0.000	2.000 +.002 +0.000	1.625 +.000 -.002	1.999 +.000 -.002	2.000 +.002 +0.000	10.14
U18-1.62-25B	1-5/8	2	1/4	.275 +.015 +0.000	1.625 +.000 -.002	1.626 +.002 +0.000	2.000 +.002 +0.000	1.625 +.000 -.002	1.999 +.000 -.002	2.000 +.002 +0.000	12.02
U18-1.62-31B	1-5/8	2	5/16	.344 +.015 +0.000	1.625 +.000 -.002	1.626 +.002 +0.000	2.000 +.002 +0.000	1.625 +.000 -.002	1.999 +.000 -.002	2.000 +.002 +0.000	12.02
U18-1.62-37B	1-5/8	2	3/8	.413 +.015 +0.000	1.625 +.000 -.002	1.626 +.002 +0.000	2.000 +.002 +0.000	1.625 +.000 -.002	1.999 +.000 -.002	2.000 +.002 +0.000	12.02
U18-1.62-37D	1-5/8	2	3/8	.413 +.015 +0.000	1.625 +.000 -.002	1.626 +.002 +0.000	2.000 +.002 +0.000	1.625 +.000 -.002	1.999 +.000 -.002	2.000 +.002 +0.000	12.02
U18-1.68	1-11/16	2-1/16	3/16	.207 +.015 +0.000	1.687 +.000 -.002	1.689 +.002 +0.000	2.063 +.002 +0.000	1.687 +.000 -.002	2.061 +.000 -.002	2.063 +.002 +0.000	10.71
U18-1.75	1-3/4	2-1/8	3/16	.207 +.015 +0.000	1.750 +.000 -.002	1.751 +.002 +0.000	2.125 +.002 +0.000	1.750 +.000 -.002	2.124 +.000 -.002	2.125 +.002 +0.000	10.35
U18-1.75-SQB	1-3/4	2-1/8	3/16	.207 +.015 +0.000	1.750 +.000 -.002	1.751 +.002 +0.000	2.125 +.002 +0.000	1.750 +.000 -.002	2.124 +.000 -.002	2.125 +.002 +0.000	10.35
U18-1.75CN	1-3/4	2-1/8	3/16	.207 +.015 +0.000	1.750 +.000 -.002	1.751 +.002 +0.000	2.125 +.002 +0.000	1.750 +.000 -.002	2.124 +.000 -.002	2.125 +.002 +0.000	17.16

FORMERLY LISTED REPAIR PARTS ARE AVAILABLE ONLINE AT WWW.HERCULESUS.COM
OR BY CONTACTING YOUR REGIONAL HERCULES SALES TEAM.

STYLE 800 POLYURETHANE U-SEALS

U-SEALS

Part Number	A Nom. ID	B Nom. OD	C Nom. Ht	D GROOVE WIDTH	E ROD DIAMETER	F THROAT DIAMETER	G HOUSING DIAMETER	H GROOVE DIAMETER	I PISTON DIAMETER	J BORE DIAMETER	List Price
U18-1.75-25B	1-3/4	2-1/8	1/4	.275 ^{+0.015} / _{+0.000}	1.750 ^{+0.000} / _{-.002}	1.751 ^{+0.002} / _{+0.000}	2.125 ^{+0.002} / _{+0.000}	1.750 ^{+0.000} / _{-.002}	2.124 ^{+0.000} / _{-.002}	2.125 ^{+0.002} / _{+0.000}	14.42
U18-1.75-26B	1-3/4	2-1/8	.26	.286 ^{+0.015} / _{+0.000}	1.750 ^{+0.000} / _{-.002}	1.751 ^{+0.002} / _{+0.000}	2.125 ^{+0.002} / _{+0.000}	1.750 ^{+0.000} / _{-.002}	2.124 ^{+0.000} / _{-.002}	2.125 ^{+0.002} / _{+0.000}	12.19
U18-1.75-31B	1-3/4	2-1/8	5/16	.344 ^{+0.015} / _{+0.000}	1.750 ^{+0.000} / _{-.002}	1.751 ^{+0.002} / _{+0.000}	2.125 ^{+0.002} / _{+0.000}	1.750 ^{+0.000} / _{-.002}	2.124 ^{+0.000} / _{-.002}	2.125 ^{+0.002} / _{+0.000}	12.71
U18-1.75-31D	1-3/4	2-1/8	5/16	.344 ^{+0.015} / _{+0.000}	1.750 ^{+0.000} / _{-.002}	1.751 ^{+0.002} / _{+0.000}	2.125 ^{+0.002} / _{+0.000}	1.750 ^{+0.000} / _{-.002}	2.124 ^{+0.000} / _{-.002}	2.125 ^{+0.002} / _{+0.000}	13.85
U18-1.75-37B	1-3/4	2-1/8	3/8	.413 ^{+0.015} / _{+0.000}	1.750 ^{+0.000} / _{-.002}	1.751 ^{+0.002} / _{+0.000}	2.125 ^{+0.002} / _{+0.000}	1.750 ^{+0.000} / _{-.002}	2.124 ^{+0.000} / _{-.002}	2.125 ^{+0.002} / _{+0.000}	12.19
U18-1.75-37D	1-3/4	2-1/8	3/8	.413 ^{+0.015} / _{+0.000}	1.750 ^{+0.000} / _{-.002}	1.751 ^{+0.002} / _{+0.000}	2.125 ^{+0.002} / _{+0.000}	1.750 ^{+0.000} / _{-.002}	2.124 ^{+0.000} / _{-.002}	2.125 ^{+0.002} / _{+0.000}	14.19
U18-1.75-37DF	1-3/4	2-1/8	3/8	.413 ^{+0.015} / _{+0.000}	1.750 ^{+0.000} / _{-.002}	1.751 ^{+0.002} / _{+0.000}	2.125 ^{+0.002} / _{+0.000}	1.750 ^{+0.000} / _{-.002}	2.124 ^{+0.000} / _{-.002}	2.125 ^{+0.002} / _{+0.000}	22.76
U18-1.87	1-7/8	2-1/4	3/16	.207 ^{+0.015} / _{+0.000}	1.875 ^{+0.000} / _{-.002}	1.876 ^{+0.002} / _{+0.000}	2.250 ^{+0.002} / _{+0.000}	1.875 ^{+0.000} / _{-.002}	2.249 ^{+0.000} / _{-.002}	2.250 ^{+0.002} / _{+0.000}	10.60
U18-1.87-SQB	1-7/8	2-1/4	3/16	.207 ^{+0.015} / _{+0.000}	1.875 ^{+0.000} / _{-.002}	1.876 ^{+0.002} / _{+0.000}	2.250 ^{+0.002} / _{+0.000}	1.875 ^{+0.000} / _{-.002}	2.249 ^{+0.000} / _{-.002}	2.250 ^{+0.002} / _{+0.000}	10.60
U18-1.87-25D	1-7/8	2-1/4	1/4	.275 ^{+0.015} / _{+0.000}	1.875 ^{+0.000} / _{-.002}	1.876 ^{+0.002} / _{+0.000}	2.250 ^{+0.002} / _{+0.000}	1.875 ^{+0.000} / _{-.002}	2.249 ^{+0.000} / _{-.002}	2.250 ^{+0.002} / _{+0.000}	13.49
U18-1.87-26B	1-7/8	2-1/4	.26	.286 ^{+0.015} / _{+0.000}	1.875 ^{+0.000} / _{-.002}	1.876 ^{+0.002} / _{+0.000}	2.250 ^{+0.002} / _{+0.000}	1.875 ^{+0.000} / _{-.002}	2.249 ^{+0.000} / _{-.002}	2.250 ^{+0.002} / _{+0.000}	12.87
U18-1.87-31B	1-7/8	2-1/4	5/16	.344 ^{+0.015} / _{+0.000}	1.875 ^{+0.000} / _{-.002}	1.876 ^{+0.002} / _{+0.000}	2.250 ^{+0.002} / _{+0.000}	1.875 ^{+0.000} / _{-.002}	2.249 ^{+0.000} / _{-.002}	2.250 ^{+0.002} / _{+0.000}	12.87
U18-1.87-37B	1-7/8	2-1/4	3/8	.413 ^{+0.015} / _{+0.000}	1.875 ^{+0.000} / _{-.002}	1.876 ^{+0.002} / _{+0.000}	2.250 ^{+0.002} / _{+0.000}	1.875 ^{+0.000} / _{-.002}	2.249 ^{+0.000} / _{-.002}	2.250 ^{+0.002} / _{+0.000}	12.87
U18-1.87-37D	1-7/8	2-1/4	3/8	.413 ^{+0.015} / _{+0.000}	1.875 ^{+0.000} / _{-.002}	1.876 ^{+0.002} / _{+0.000}	2.250 ^{+0.002} / _{+0.000}	1.875 ^{+0.000} / _{-.002}	2.249 ^{+0.000} / _{-.002}	2.250 ^{+0.002} / _{+0.000}	13.49
U18-2.00	2	2-3/8	3/16	.207 ^{+0.015} / _{+0.000}	2.000 ^{+0.000} / _{-.002}	2.001 ^{+0.002} / _{+0.000}	2.375 ^{+0.002} / _{+0.000}	2.000 ^{+0.000} / _{-.002}	2.374 ^{+0.000} / _{-.002}	2.375 ^{+0.002} / _{+0.000}	10.75
U18-2.00-SQB	2	2-3/8	3/16	.207 ^{+0.015} / _{+0.000}	2.000 ^{+0.000} / _{-.002}	2.001 ^{+0.002} / _{+0.000}	2.375 ^{+0.002} / _{+0.000}	2.000 ^{+0.000} / _{-.002}	2.374 ^{+0.000} / _{-.002}	2.375 ^{+0.002} / _{+0.000}	10.75
U18-2.00CN	2	2-3/8	3/16	.207 ^{+0.015} / _{+0.000}	2.000 ^{+0.000} / _{-.002}	2.001 ^{+0.002} / _{+0.000}	2.375 ^{+0.002} / _{+0.000}	2.000 ^{+0.000} / _{-.002}	2.374 ^{+0.000} / _{-.002}	2.375 ^{+0.002} / _{+0.000}	23.09
U18-2.00-25B	2	2-3/8	1/4	.275 ^{+0.015} / _{+0.000}	2.000 ^{+0.000} / _{-.002}	2.001 ^{+0.002} / _{+0.000}	2.375 ^{+0.002} / _{+0.000}	2.000 ^{+0.000} / _{-.002}	2.374 ^{+0.000} / _{-.002}	2.375 ^{+0.002} / _{+0.000}	13.52
U18-2.00-27D	2	2-3/8	.27	.297 ^{+0.015} / _{+0.000}	2.000 ^{+0.000} / _{-.002}	2.001 ^{+0.002} / _{+0.000}	2.375 ^{+0.002} / _{+0.000}	2.000 ^{+0.000} / _{-.002}	2.374 ^{+0.000} / _{-.002}	2.375 ^{+0.002} / _{+0.000}	16.57
U18-2.00-31B	2	2-3/8	5/16	.344 ^{+0.015} / _{+0.000}	2.000 ^{+0.000} / _{-.002}	2.001 ^{+0.002} / _{+0.000}	2.375 ^{+0.002} / _{+0.000}	2.000 ^{+0.000} / _{-.002}	2.374 ^{+0.000} / _{-.002}	2.375 ^{+0.002} / _{+0.000}	13.52
U18-2.00-37B	2	2-3/8	3/8	.413 ^{+0.015} / _{+0.000}	2.000 ^{+0.000} / _{-.002}	2.001 ^{+0.002} / _{+0.000}	2.375 ^{+0.002} / _{+0.000}	2.000 ^{+0.000} / _{-.002}	2.374 ^{+0.000} / _{-.002}	2.375 ^{+0.002} / _{+0.000}	13.52
U18-2.00-37D	2	2-3/8	3/8	.413 ^{+0.015} / _{+0.000}	2.000 ^{+0.000} / _{-.002}	2.001 ^{+0.002} / _{+0.000}	2.375 ^{+0.002} / _{+0.000}	2.000 ^{+0.000} / _{-.002}	2.374 ^{+0.000} / _{-.002}	2.375 ^{+0.002} / _{+0.000}	16.26
U18-2.06	2-1/16	2-7/16	3/16	.207 ^{+0.015} / _{+0.000}	2.062 ^{+0.000} / _{-.002}	2.063 ^{+0.002} / _{+0.000}	2.438 ^{+0.002} / _{+0.000}	2.062 ^{+0.000} / _{-.002}	2.436 ^{+0.000} / _{-.002}	2.438 ^{+0.002} / _{+0.000}	11.57
U18-2.12	2-1/8	2-1/2	3/16	.207 ^{+0.015} / _{+0.000}	2.125 ^{+0.000} / _{-.002}	2.126 ^{+0.002} / _{+0.000}	2.500 ^{+0.002} / _{+0.000}	2.125 ^{+0.000} / _{-.002}	2.499 ^{+0.000} / _{-.002}	2.500 ^{+0.002} / _{+0.000}	11.11
U18-2.12-SQB	2-1/8	2-1/2	3/16	.207 ^{+0.015} / _{+0.000}	2.125 ^{+0.000} / _{-.002}	2.126 ^{+0.002} / _{+0.000}	2.500 ^{+0.002} / _{+0.000}	2.125 ^{+0.000} / _{-.002}	2.499 ^{+0.000} / _{-.002}	2.500 ^{+0.002} / _{+0.000}	11.11
U18-2.12-25B	2-1/8	2-1/2	1/4	.275 ^{+0.015} / _{+0.000}	2.125 ^{+0.000} / _{-.002}	2.126 ^{+0.002} / _{+0.000}	2.500 ^{+0.002} / _{+0.000}	2.125 ^{+0.000} / _{-.002}	2.499 ^{+0.000} / _{-.002}	2.500 ^{+0.002} / _{+0.000}	13.99
U18-2.12-26B	2-1/8	2-1/2	.26	.286 ^{+0.015} / _{+0.000}	2.125 ^{+0.000} / _{-.002}	2.126 ^{+0.002} / _{+0.000}	2.500 ^{+0.002} / _{+0.000}	2.125 ^{+0.000} / _{-.002}	2.499 ^{+0.000} / _{-.002}	2.500 ^{+0.002} / _{+0.000}	14.63
U18-2.12-31B	2-1/8	2-1/2	5/16	.344 ^{+0.015} / _{+0.000}	2.125 ^{+0.000} / _{-.002}	2.126 ^{+0.002} / _{+0.000}	2.500 ^{+0.002} / _{+0.000}	2.125 ^{+0.000} / _{-.002}	2.499 ^{+0.000} / _{-.002}	2.500 ^{+0.002} / _{+0.000}	13.72
U18-2.12-37B	2-1/8	2-1/2	3/8	.413 ^{+0.015} / _{+0.000}	2.125 ^{+0.000} / _{-.002}	2.126 ^{+0.002} / _{+0.000}	2.500 ^{+0.002} / _{+0.000}	2.125 ^{+0.000} / _{-.002}	2.499 ^{+0.000} / _{-.002}	2.500 ^{+0.002} / _{+0.000}	13.99
U18-2.12-37D	2-1/8	2-1/2	3/8	.413 ^{+0.015} / _{+0.000}	2.125 ^{+0.000} / _{-.002}	2.126 ^{+0.002} / _{+0.000}	2.500 ^{+0.002} / _{+0.000}	2.125 ^{+0.000} / _{-.002}	2.499 ^{+0.000} / _{-.002}	2.500 ^{+0.002} / _{+0.000}	13.99
U18-2.18-37B	2-3/16	2-9/16	3/8	.413 ^{+0.015} / _{+0.000}	2.187 ^{+0.000} / _{-.002}	2.189 ^{+0.002} / _{+0.000}	2.563 ^{+0.002} / _{+0.000}	2.187 ^{+0.000} / _{-.002}	2.561 ^{+0.000} / _{-.002}	2.563 ^{+0.002} / _{+0.000}	15.36
U18-2.25	2-1/4	2-5/8	3/16	.207 ^{+0.015} / _{+0.000}	2.250 ^{+0.000} / _{-.002}	2.251 ^{+0.002} / _{+0.000}	2.625 ^{+0.002} / _{+0.000}	2.250 ^{+0.000} / _{-.002}	2.624 ^{+0.000} / _{-.002}	2.625 ^{+0.002} / _{+0.000}	11.87
U18-2.25-SQB	2-1/4	2-5/8	3/16	.207 ^{+0.015} / _{+0.000}	2.250 ^{+0.000} / _{-.002}	2.251 ^{+0.002} / _{+0.000}	2.625 ^{+0.002} / _{+0.000}	2.250 ^{+0.000} / _{-.002}	2.624 ^{+0.000} / _{-.002}	2.625 ^{+0.002} / _{+0.000}	11.87

STYLE 800 POLYURETHANE U-SEALS



U-SEALS

Part Number	A Nom. ID	B Nom. OD	C Nom. Ht	D GROOVE WIDTH	E ROD DIAMETER	F THROAT DIAMETER	G HOUSING DIAMETER	H GROOVE DIAMETER	I PISTON DIAMETER	J BORE DIAMETER	List Price
U18-2.25-31B	2-1/4	2-5/8	5/16	.344 ^{+0.015} / _{+0.000}	2.250 ^{+0.000} / _{-.002}	2.251 ^{+0.002} / _{+0.000}	2.625 ^{+0.002} / _{+0.000}	2.250 ^{+0.000} / _{-.002}	2.624 ^{+0.000} / _{-.002}	2.625 ^{+0.002} / _{+0.000}	15.96
U18-2.25-37B	2-1/4	2-5/8	3/8	.413 ^{+0.015} / _{+0.000}	2.250 ^{+0.000} / _{-.002}	2.251 ^{+0.002} / _{+0.000}	2.625 ^{+0.002} / _{+0.000}	2.250 ^{+0.000} / _{-.002}	2.624 ^{+0.000} / _{-.002}	2.625 ^{+0.002} / _{+0.000}	15.15
U18-2.37	2-3/8	2-3/4	3/16	.207 ^{+0.015} / _{+0.000}	2.375 ^{+0.000} / _{-.002}	2.376 ^{+0.002} / _{+0.000}	2.750 ^{+0.002} / _{+0.000}	2.375 ^{+0.000} / _{-.002}	2.749 ^{+0.000} / _{-.002}	2.750 ^{+0.002} / _{+0.000}	12.97
U18-2.37-SQB	2-3/8	2-3/4	3/16	.207 ^{+0.015} / _{+0.000}	2.375 ^{+0.000} / _{-.002}	2.376 ^{+0.002} / _{+0.000}	2.750 ^{+0.002} / _{+0.000}	2.375 ^{+0.000} / _{-.002}	2.749 ^{+0.000} / _{-.002}	2.750 ^{+0.002} / _{+0.000}	11.57
U18-2.37-25B	2-3/8	2-3/4	1/4	.275 ^{+0.015} / _{+0.000}	2.375 ^{+0.000} / _{-.002}	2.376 ^{+0.002} / _{+0.000}	2.750 ^{+0.002} / _{+0.000}	2.375 ^{+0.000} / _{-.002}	2.749 ^{+0.000} / _{-.002}	2.750 ^{+0.002} / _{+0.000}	16.43
U18-2.37-37B	2-3/8	2-3/4	3/8	.413 ^{+0.015} / _{+0.000}	2.375 ^{+0.000} / _{-.002}	2.376 ^{+0.002} / _{+0.000}	2.750 ^{+0.002} / _{+0.000}	2.375 ^{+0.000} / _{-.002}	2.749 ^{+0.000} / _{-.002}	2.750 ^{+0.002} / _{+0.000}	16.43
U18-2.37-50B	2-3/8	2-3/4	1/2	.550 ^{+0.015} / _{+0.000}	2.375 ^{+0.000} / _{-.002}	2.376 ^{+0.002} / _{+0.000}	2.750 ^{+0.002} / _{+0.000}	2.375 ^{+0.000} / _{-.002}	2.749 ^{+0.000} / _{-.002}	2.750 ^{+0.002} / _{+0.000}	25.72
U18-2.50	2-1/2	2-7/8	3/16	.207 ^{+0.015} / _{+0.000}	2.500 ^{+0.000} / _{-.002}	2.501 ^{+0.002} / _{+0.000}	2.875 ^{+0.002} / _{+0.000}	2.500 ^{+0.000} / _{-.002}	2.874 ^{+0.000} / _{-.002}	2.875 ^{+0.002} / _{+0.000}	12.22
U18-2.50-SQB	2-1/2	2-7/8	3/16	.207 ^{+0.015} / _{+0.000}	2.500 ^{+0.000} / _{-.002}	2.501 ^{+0.002} / _{+0.000}	2.875 ^{+0.002} / _{+0.000}	2.500 ^{+0.000} / _{-.002}	2.874 ^{+0.000} / _{-.002}	2.875 ^{+0.002} / _{+0.000}	12.22
U18-2.50-25B	2-1/2	2-7/8	1/4	.275 ^{+0.015} / _{+0.000}	2.500 ^{+0.000} / _{-.002}	2.501 ^{+0.002} / _{+0.000}	2.875 ^{+0.002} / _{+0.000}	2.500 ^{+0.000} / _{-.002}	2.874 ^{+0.000} / _{-.002}	2.875 ^{+0.002} / _{+0.000}	17.00
U18-2.50-31B	2-1/2	2-7/8	5/16	.344 ^{+0.015} / _{+0.000}	2.500 ^{+0.000} / _{-.002}	2.501 ^{+0.002} / _{+0.000}	2.875 ^{+0.002} / _{+0.000}	2.500 ^{+0.000} / _{-.002}	2.874 ^{+0.000} / _{-.002}	2.875 ^{+0.002} / _{+0.000}	16.27
U18-2.50-37B	2-1/2	2-7/8	3/8	.413 ^{+0.015} / _{+0.000}	2.500 ^{+0.000} / _{-.002}	2.501 ^{+0.002} / _{+0.000}	2.875 ^{+0.002} / _{+0.000}	2.500 ^{+0.000} / _{-.002}	2.874 ^{+0.000} / _{-.002}	2.875 ^{+0.002} / _{+0.000}	16.27
U18-2.62	2-5/8	3	3/16	.207 ^{+0.015} / _{+0.000}	2.625 ^{+0.000} / _{-.002}	2.626 ^{+0.002} / _{+0.000}	3.000 ^{+0.002} / _{+0.000}	2.625 ^{+0.000} / _{-.002}	2.999 ^{+0.000} / _{-.002}	3.000 ^{+0.002} / _{+0.000}	12.99
U18-2.62-SQB	2-5/8	3	3/16	.207 ^{+0.015} / _{+0.000}	2.625 ^{+0.000} / _{-.002}	2.626 ^{+0.002} / _{+0.000}	3.000 ^{+0.002} / _{+0.000}	2.625 ^{+0.000} / _{-.002}	2.999 ^{+0.000} / _{-.002}	3.000 ^{+0.002} / _{+0.000}	12.22
U18-2.62-25B	2-5/8	3	1/4	.275 ^{+0.015} / _{+0.000}	2.625 ^{+0.000} / _{-.002}	2.626 ^{+0.002} / _{+0.000}	3.000 ^{+0.002} / _{+0.000}	2.625 ^{+0.000} / _{-.002}	2.999 ^{+0.000} / _{-.002}	3.000 ^{+0.002} / _{+0.000}	17.39
U18-2.62-28B	2-5/8	3	9/32	.309 ^{+0.015} / _{+0.000}	2.625 ^{+0.000} / _{-.002}	2.626 ^{+0.002} / _{+0.000}	3.000 ^{+0.002} / _{+0.000}	2.625 ^{+0.000} / _{-.002}	2.999 ^{+0.000} / _{-.002}	3.000 ^{+0.002} / _{+0.000}	33.93
U18-2.62-37B	2-5/8	3	3/8	.413 ^{+0.015} / _{+0.000}	2.625 ^{+0.000} / _{-.002}	2.626 ^{+0.002} / _{+0.000}	3.000 ^{+0.002} / _{+0.000}	2.625 ^{+0.000} / _{-.002}	2.999 ^{+0.000} / _{-.002}	3.000 ^{+0.002} / _{+0.000}	16.97
U18-2.62-37D	2-5/8	3	3/8	.413 ^{+0.015} / _{+0.000}	2.625 ^{+0.000} / _{-.002}	2.626 ^{+0.002} / _{+0.000}	3.000 ^{+0.002} / _{+0.000}	2.625 ^{+0.000} / _{-.002}	2.999 ^{+0.000} / _{-.002}	3.000 ^{+0.002} / _{+0.000}	19.95
U18-2.75	2-3/4	3-1/8	3/16	.207 ^{+0.015} / _{+0.000}	2.750 ^{+0.000} / _{-.002}	2.751 ^{+0.002} / _{+0.000}	3.125 ^{+0.002} / _{+0.000}	2.750 ^{+0.000} / _{-.002}	3.124 ^{+0.000} / _{-.002}	3.125 ^{+0.002} / _{+0.000}	14.13
U18-2.75-SQB	2-3/4	3-1/8	3/16	.207 ^{+0.015} / _{+0.000}	2.750 ^{+0.000} / _{-.002}	2.751 ^{+0.002} / _{+0.000}	3.125 ^{+0.002} / _{+0.000}	2.750 ^{+0.000} / _{-.002}	3.124 ^{+0.000} / _{-.002}	3.125 ^{+0.002} / _{+0.000}	23.29
U18-2.75-37B	2-3/4	3-1/8	3/8	.413 ^{+0.015} / _{+0.000}	2.750 ^{+0.000} / _{-.002}	2.751 ^{+0.002} / _{+0.000}	3.125 ^{+0.002} / _{+0.000}	2.750 ^{+0.000} / _{-.002}	3.124 ^{+0.000} / _{-.002}	3.125 ^{+0.002} / _{+0.000}	17.73
U18-2.87	2-7/8	3-1/4	3/16	.207 ^{+0.015} / _{+0.000}	2.875 ^{+0.000} / _{-.002}	2.876 ^{+0.002} / _{+0.000}	3.250 ^{+0.002} / _{+0.000}	2.875 ^{+0.000} / _{-.002}	3.249 ^{+0.000} / _{-.002}	3.250 ^{+0.002} / _{+0.000}	13.16
U18-2.87-25B	2-7/8	3-1/4	1/4	.275 ^{+0.015} / _{+0.000}	2.875 ^{+0.000} / _{-.002}	2.876 ^{+0.002} / _{+0.000}	3.250 ^{+0.002} / _{+0.000}	2.875 ^{+0.000} / _{-.002}	3.249 ^{+0.000} / _{-.002}	3.250 ^{+0.002} / _{+0.000}	19.87
U18-2.87-37B	2-7/8	3-1/4	3/8	.413 ^{+0.015} / _{+0.000}	2.875 ^{+0.000} / _{-.002}	2.876 ^{+0.002} / _{+0.000}	3.250 ^{+0.002} / _{+0.000}	2.875 ^{+0.000} / _{-.002}	3.249 ^{+0.000} / _{-.002}	3.250 ^{+0.002} / _{+0.000}	18.98
U18-2.87-37D	2-7/8	3-1/4	3/8	.413 ^{+0.015} / _{+0.000}	2.875 ^{+0.000} / _{-.002}	2.876 ^{+0.002} / _{+0.000}	3.250 ^{+0.002} / _{+0.000}	2.875 ^{+0.000} / _{-.002}	3.249 ^{+0.000} / _{-.002}	3.250 ^{+0.002} / _{+0.000}	18.98
U18-3.00	3	3-3/8	3/16	.207 ^{+0.015} / _{+0.000}	3.000 ^{+0.000} / _{-.002}	3.001 ^{+0.002} / _{+0.000}	3.375 ^{+0.002} / _{+0.000}	3.000 ^{+0.000} / _{-.002}	3.374 ^{+0.000} / _{-.002}	3.375 ^{+0.002} / _{+0.000}	14.05
U18-3.00-SQB	3	3-3/8	3/16	.207 ^{+0.015} / _{+0.000}	3.000 ^{+0.000} / _{-.002}	3.001 ^{+0.002} / _{+0.000}	3.375 ^{+0.002} / _{+0.000}	3.000 ^{+0.000} / _{-.002}	3.374 ^{+0.000} / _{-.002}	3.375 ^{+0.002} / _{+0.000}	14.05
U18-3.00-31B	3	3-3/8	5/16	.344 ^{+0.015} / _{+0.000}	3.000 ^{+0.000} / _{-.002}	3.001 ^{+0.002} / _{+0.000}	3.375 ^{+0.002} / _{+0.000}	3.000 ^{+0.000} / _{-.002}	3.374 ^{+0.000} / _{-.002}	3.375 ^{+0.002} / _{+0.000}	18.10
U18-3.00-37B	3	3-3/8	3/8	.413 ^{+0.015} / _{+0.000}	3.000 ^{+0.000} / _{-.002}	3.001 ^{+0.002} / _{+0.000}	3.375 ^{+0.002} / _{+0.000}	3.000 ^{+0.000} / _{-.002}	3.374 ^{+0.000} / _{-.002}	3.375 ^{+0.002} / _{+0.000}	19.70
U18-3.12	3-1/8	3-1/2	3/16	.207 ^{+0.015} / _{+0.000}	3.125 ^{+0.000} / _{-.002}	3.126 ^{+0.002} / _{+0.000}	3.500 ^{+0.002} / _{+0.000}	3.125 ^{+0.000} / _{-.002}	3.499 ^{+0.000} / _{-.002}	3.500 ^{+0.002} / _{+0.000}	15.06
U18-3.12-SQB	3-1/8	3-1/2	3/16	.207 ^{+0.015} / _{+0.000}	3.125 ^{+0.000} / _{-.002}	3.126 ^{+0.002} / _{+0.000}	3.500 ^{+0.002} / _{+0.000}	3.125 ^{+0.000} / _{-.002}	3.499 ^{+0.000} / _{-.002}	3.500 ^{+0.002} / _{+0.000}	15.06
U18-3.12-25B	3-1/8	3-1/2	1/4	.275 ^{+0.015} / _{+0.000}	3.125 ^{+0.000} / _{-.002}	3.126 ^{+0.002} / _{+0.000}	3.500 ^{+0.002} / _{+0.000}	3.125 ^{+0.000} / _{-.002}	3.499 ^{+0.000} / _{-.002}	3.500 ^{+0.002} / _{+0.000}	20.07
U18-3.12-37B	3-1/8	3-1/2	3/8	.413 ^{+0.015} / _{+0.000}	3.125 ^{+0.000} / _{-.002}	3.126 ^{+0.002} / _{+0.000}	3.500 ^{+0.002} / _{+0.000}	3.125 ^{+0.000} / _{-.002}	3.499 ^{+0.000} / _{-.002}	3.500 ^{+0.002} / _{+0.000}	20.07

STYLE 800 POLYURETHANE U-SEALS

U-SEALS

Part Number	A Nom. ID	B Nom. OD	C Nom. Ht	D GROOVE WIDTH	E ROD DIAMETER	F THROAT DIAMETER	G HOUSING DIAMETER	H GROOVE DIAMETER	I PISTON DIAMETER	J BORE DIAMETER	List Price
U18-3.12-37D	3-1/8	3-1/2	3/8	.413 ^{+0.015} / _{+0.000}	3.125 ^{+0.000} / _{-.002}	3.126 ^{+0.002} / _{+0.000}	3.500 ^{+0.002} / _{+0.000}	3.125 ^{+0.000} / _{-.002}	3.499 ^{+0.000} / _{-.002}	3.500 ^{+0.002} / _{+0.000}	24.53
U18-3.25	3-1/4	3-5/8	3/16	.207 ^{+0.015} / _{+0.000}	3.250 ^{+0.000} / _{-.002}	3.251 ^{+0.002} / _{+0.000}	3.625 ^{+0.002} / _{+0.000}	3.250 ^{+0.000} / _{-.002}	3.624 ^{+0.000} / _{-.002}	3.625 ^{+0.002} / _{+0.000}	15.92
U18-3.25-37B	3-1/4	3-5/8	3/8	.413 ^{+0.015} / _{+0.000}	3.250 ^{+0.000} / _{-.002}	3.251 ^{+0.002} / _{+0.000}	3.625 ^{+0.002} / _{+0.000}	3.250 ^{+0.000} / _{-.002}	3.624 ^{+0.000} / _{-.002}	3.625 ^{+0.002} / _{+0.000}	22.19
U18-3.37	3-3/8	3-3/4	3/16	.207 ^{+0.015} / _{+0.000}	3.375 ^{+0.000} / _{-.002}	3.376 ^{+0.002} / _{+0.000}	3.750 ^{+0.002} / _{+0.000}	3.375 ^{+0.000} / _{-.002}	3.749 ^{+0.000} / _{-.002}	3.750 ^{+0.002} / _{+0.000}	16.84
U18-3.37-SQB	3-3/8	3-3/4	3/16	.207 ^{+0.015} / _{+0.000}	3.375 ^{+0.000} / _{-.002}	3.376 ^{+0.002} / _{+0.000}	3.750 ^{+0.002} / _{+0.000}	3.375 ^{+0.000} / _{-.002}	3.749 ^{+0.000} / _{-.002}	3.750 ^{+0.002} / _{+0.000}	16.84
U18-3.37-25B	3-3/8	3-3/4	1/4	.275 ^{+0.015} / _{+0.000}	3.375 ^{+0.000} / _{-.002}	3.376 ^{+0.002} / _{+0.000}	3.750 ^{+0.002} / _{+0.000}	3.375 ^{+0.000} / _{-.002}	3.749 ^{+0.000} / _{-.002}	3.750 ^{+0.002} / _{+0.000}	22.92
U18-3.37-37B	3-3/8	3-3/4	3/8	.413 ^{+0.015} / _{+0.000}	3.375 ^{+0.000} / _{-.002}	3.376 ^{+0.002} / _{+0.000}	3.750 ^{+0.002} / _{+0.000}	3.375 ^{+0.000} / _{-.002}	3.749 ^{+0.000} / _{-.002}	3.750 ^{+0.002} / _{+0.000}	23.41
U18-3.50	3-1/2	3-7/8	3/16	.207 ^{+0.015} / _{+0.000}	3.500 ^{+0.000} / _{-.002}	3.501 ^{+0.002} / _{+0.000}	3.875 ^{+0.002} / _{+0.000}	3.500 ^{+0.000} / _{-.002}	3.874 ^{+0.000} / _{-.002}	3.875 ^{+0.002} / _{+0.000}	20.20
U18-3.50-SQB	3-1/2	3-7/8	3/16	.207 ^{+0.015} / _{+0.000}	3.500 ^{+0.000} / _{-.002}	3.501 ^{+0.002} / _{+0.000}	3.875 ^{+0.002} / _{+0.000}	3.500 ^{+0.000} / _{-.002}	3.874 ^{+0.000} / _{-.002}	3.875 ^{+0.002} / _{+0.000}	17.60
U18-3.50-37B	3-1/2	3-7/8	3/8	.413 ^{+0.015} / _{+0.000}	3.500 ^{+0.000} / _{-.002}	3.501 ^{+0.002} / _{+0.000}	3.875 ^{+0.002} / _{+0.000}	3.500 ^{+0.000} / _{-.002}	3.874 ^{+0.000} / _{-.002}	3.875 ^{+0.002} / _{+0.000}	23.52
U18-3.62	3-5/8	4	3/16	.207 ^{+0.015} / _{+0.000}	3.625 ^{+0.000} / _{-.002}	3.626 ^{+0.002} / _{+0.000}	4.000 ^{+0.002} / _{+0.000}	3.625 ^{+0.000} / _{-.002}	3.999 ^{+0.000} / _{-.002}	4.000 ^{+0.002} / _{+0.000}	17.73
U18-3.62-SQB	3-5/8	4	3/16	.207 ^{+0.015} / _{+0.000}	3.625 ^{+0.000} / _{-.002}	3.626 ^{+0.002} / _{+0.000}	4.000 ^{+0.002} / _{+0.000}	3.625 ^{+0.000} / _{-.002}	3.999 ^{+0.000} / _{-.002}	4.000 ^{+0.002} / _{+0.000}	17.73
U18-3.62-37B	3-5/8	4	3/8	.413 ^{+0.015} / _{+0.000}	3.625 ^{+0.000} / _{-.002}	3.626 ^{+0.002} / _{+0.000}	4.000 ^{+0.002} / _{+0.000}	3.625 ^{+0.000} / _{-.002}	3.999 ^{+0.000} / _{-.002}	4.000 ^{+0.002} / _{+0.000}	25.96
U18-3.75	3-3/4	4-1/8	3/16	.207 ^{+0.015} / _{+0.000}	3.750 ^{+0.000} / _{-.002}	3.751 ^{+0.002} / _{+0.000}	4.125 ^{+0.002} / _{+0.000}	3.750 ^{+0.000} / _{-.002}	4.124 ^{+0.000} / _{-.002}	4.125 ^{+0.002} / _{+0.000}	19.38
U18-3.75-37B	3-3/4	4-1/8	3/8	.413 ^{+0.015} / _{+0.000}	3.750 ^{+0.000} / _{-.002}	3.751 ^{+0.002} / _{+0.000}	4.125 ^{+0.002} / _{+0.000}	3.750 ^{+0.000} / _{-.002}	4.124 ^{+0.000} / _{-.002}	4.125 ^{+0.002} / _{+0.000}	27.47
U18-3.87	3-7/8	4-1/4	3/16	.207 ^{+0.015} / _{+0.000}	3.875 ^{+0.000} / _{-.002}	3.876 ^{+0.002} / _{+0.000}	4.250 ^{+0.002} / _{+0.000}	3.875 ^{+0.000} / _{-.002}	4.249 ^{+0.000} / _{-.002}	4.250 ^{+0.002} / _{+0.000}	27.37
U18-3.87-37B	3-7/8	4-1/4	3/8	.413 ^{+0.015} / _{+0.000}	3.875 ^{+0.000} / _{-.002}	3.876 ^{+0.002} / _{+0.000}	4.250 ^{+0.002} / _{+0.000}	3.875 ^{+0.000} / _{-.002}	4.249 ^{+0.000} / _{-.002}	4.250 ^{+0.002} / _{+0.000}	28.74
U18-4.00	4	4-3/8	3/16	.207 ^{+0.015} / _{+0.000}	4.000 ^{+0.000} / _{-.002}	4.001 ^{+0.002} / _{+0.000}	4.375 ^{+0.002} / _{+0.000}	4.000 ^{+0.000} / _{-.002}	4.374 ^{+0.000} / _{-.002}	4.375 ^{+0.002} / _{+0.000}	23.79
U18-4.00-SQB	4	4-3/8	3/16	.207 ^{+0.015} / _{+0.000}	4.000 ^{+0.000} / _{-.002}	4.001 ^{+0.002} / _{+0.000}	4.375 ^{+0.002} / _{+0.000}	4.000 ^{+0.000} / _{-.002}	4.374 ^{+0.000} / _{-.002}	4.375 ^{+0.002} / _{+0.000}	21.18
U18-4.00-37B	4	4-3/8	3/8	.413 ^{+0.015} / _{+0.000}	4.000 ^{+0.000} / _{-.002}	4.001 ^{+0.002} / _{+0.000}	4.375 ^{+0.002} / _{+0.000}	4.000 ^{+0.000} / _{-.002}	4.374 ^{+0.000} / _{-.002}	4.375 ^{+0.002} / _{+0.000}	28.88
U18-4.12	4-1/8	4-1/2	3/16	.207 ^{+0.015} / _{+0.000}	4.125 ^{+0.000} / _{-.002}	4.126 ^{+0.002} / _{+0.000}	4.500 ^{+0.002} / _{+0.000}	4.125 ^{+0.000} / _{-.002}	4.499 ^{+0.000} / _{-.002}	4.500 ^{+0.002} / _{+0.000}	22.36
U18-4.12-37B	4-1/8	4-1/2	3/8	.413 ^{+0.015} / _{+0.000}	4.125 ^{+0.000} / _{-.002}	4.126 ^{+0.002} / _{+0.000}	4.500 ^{+0.002} / _{+0.000}	4.125 ^{+0.000} / _{-.002}	4.499 ^{+0.000} / _{-.002}	4.500 ^{+0.002} / _{+0.000}	30.08
U18-4.12-37D	4-1/8	4-1/2	3/8	.413 ^{+0.015} / _{+0.000}	4.125 ^{+0.000} / _{-.002}	4.126 ^{+0.002} / _{+0.000}	4.500 ^{+0.002} / _{+0.000}	4.125 ^{+0.000} / _{-.002}	4.499 ^{+0.000} / _{-.002}	4.500 ^{+0.002} / _{+0.000}	31.62
U18-4.25	4-1/4	4-5/8	3/16	.207 ^{+0.015} / _{+0.000}	4.250 ^{+0.000} / _{-.002}	4.251 ^{+0.002} / _{+0.000}	4.625 ^{+0.002} / _{+0.000}	4.250 ^{+0.000} / _{-.002}	4.624 ^{+0.000} / _{-.002}	4.625 ^{+0.002} / _{+0.000}	23.15
U18-4.25-37B	4-1/4	4-5/8	3/8	.413 ^{+0.015} / _{+0.000}	4.250 ^{+0.000} / _{-.002}	4.251 ^{+0.002} / _{+0.000}	4.625 ^{+0.002} / _{+0.000}	4.250 ^{+0.000} / _{-.002}	4.624 ^{+0.000} / _{-.002}	4.625 ^{+0.002} / _{+0.000}	31.36
U18-4.37	4-3/8	4-3/4	3/16	.207 ^{+0.015} / _{+0.000}	4.375 ^{+0.000} / _{-.002}	4.376 ^{+0.002} / _{+0.000}	4.750 ^{+0.002} / _{+0.000}	4.375 ^{+0.000} / _{-.002}	4.749 ^{+0.000} / _{-.002}	4.750 ^{+0.002} / _{+0.000}	23.83
U18-4.37-37B	4-3/8	4-3/4	3/8	.413 ^{+0.015} / _{+0.000}	4.375 ^{+0.000} / _{-.002}	4.376 ^{+0.002} / _{+0.000}	4.750 ^{+0.002} / _{+0.000}	4.375 ^{+0.000} / _{-.002}	4.749 ^{+0.000} / _{-.002}	4.750 ^{+0.002} / _{+0.000}	31.81
U18-4.50	4-1/2	4-7/8	3/16	.207 ^{+0.015} / _{+0.000}	4.500 ^{+0.000} / _{-.002}	4.501 ^{+0.002} / _{+0.000}	4.875 ^{+0.002} / _{+0.000}	4.500 ^{+0.000} / _{-.002}	4.874 ^{+0.000} / _{-.002}	4.875 ^{+0.002} / _{+0.000}	23.90
U18-4.50-37B	4-1/2	4-7/8	3/8	.413 ^{+0.015} / _{+0.000}	4.500 ^{+0.000} / _{-.002}	4.501 ^{+0.002} / _{+0.000}	4.875 ^{+0.002} / _{+0.000}	4.500 ^{+0.000} / _{-.002}	4.874 ^{+0.000} / _{-.002}	4.875 ^{+0.002} / _{+0.000}	34.77
U18-4.62	4-5/8	5	3/16	.207 ^{+0.015} / _{+0.000}	4.625 ^{+0.000} / _{-.002}	4.626 ^{+0.002} / _{+0.000}	5.000 ^{+0.002} / _{+0.000}	4.625 ^{+0.000} / _{-.002}	4.999 ^{+0.000} / _{-.002}	5.000 ^{+0.002} / _{+0.000}	24.49
U18-4.62-37D	4-5/8	5	3/8	.413 ^{+0.015} / _{+0.000}	4.625 ^{+0.000} / _{-.002}	4.626 ^{+0.002} / _{+0.000}	5.000 ^{+0.002} / _{+0.000}	4.625 ^{+0.000} / _{-.002}	4.999 ^{+0.000} / _{-.002}	5.000 ^{+0.002} / _{+0.000}	34.83
U18-4.75	4-3/4	5-1/8	3/16	.207 ^{+0.015} / _{+0.000}	4.750 ^{+0.000} / _{-.002}	4.751 ^{+0.002} / _{+0.000}	5.125 ^{+0.002} / _{+0.000}	4.750 ^{+0.000} / _{-.002}	5.124 ^{+0.000} / _{-.002}	5.125 ^{+0.002} / _{+0.000}	25.49
U18-4.87	4-7/8	5-1/4	3/16	.207 ^{+0.015} / _{+0.000}	4.875 ^{+0.000} / _{-.002}	4.876 ^{+0.002} / _{+0.000}	5.250 ^{+0.002} / _{+0.000}	4.875 ^{+0.000} / _{-.002}	5.249 ^{+0.000} / _{-.002}	5.250 ^{+0.002} / _{+0.000}	27.00

STYLE 800 POLYURETHANE U-SEALS



U-SEALS

Part Number	A Nom. ID	B Nom. OD	C Nom. Ht	D GROOVE WIDTH	E ROD DIAMETER	F THROAT DIAMETER	G HOUSING DIAMETER	H GROOVE DIAMETER	I PISTON DIAMETER	J BORE DIAMETER	List Price
U18-5.00	5	5-3/8	3/16	.207 ^{+0.015} / _{+0.000}	5.000 ^{+0.000} / _{-.002}	5.001 ^{+0.002} / _{+0.000}	5.375 ^{+0.002} / _{+0.000}	5.000 ^{+0.000} / _{-.002}	5.374 ^{+0.000} / _{-.002}	5.375 ^{+0.002} / _{+0.000}	31.49
U18-5.00-31D	5	5-3/8	5/16	.344 ^{+0.015} / _{+0.000}	5.000 ^{+0.000} / _{-.002}	5.001 ^{+0.002} / _{+0.000}	5.375 ^{+0.002} / _{+0.000}	5.000 ^{+0.000} / _{-.002}	5.374 ^{+0.000} / _{-.002}	5.375 ^{+0.002} / _{+0.000}	44.34
U18-5.00-37D	5	5-3/8	3/8	.413 ^{+0.015} / _{+0.000}	5.000 ^{+0.000} / _{-.002}	5.001 ^{+0.002} / _{+0.000}	5.375 ^{+0.002} / _{+0.000}	5.000 ^{+0.000} / _{-.002}	5.374 ^{+0.000} / _{-.002}	5.375 ^{+0.002} / _{+0.000}	44.34
U18-6.00	6	6-3/8	3/16	.207 ^{+0.015} / _{+0.000}	6.000 ^{+0.000} / _{-.002}	6.001 ^{+0.002} / _{+0.000}	6.375 ^{+0.002} / _{+0.000}	6.000 ^{+0.000} / _{-.002}	6.374 ^{+0.000} / _{-.002}	6.375 ^{+0.002} / _{+0.000}	33.22
U18-6.00-37B	6	6-3/8	3/8	.413 ^{+0.015} / _{+0.000}	6.000 ^{+0.000} / _{-.002}	6.001 ^{+0.002} / _{+0.000}	6.375 ^{+0.002} / _{+0.000}	6.000 ^{+0.000} / _{-.002}	6.374 ^{+0.000} / _{-.002}	6.375 ^{+0.002} / _{+0.000}	37.08
7/32" C/S											
U21-2.50-SQB	2-1/2	2-15/16	7/32	.241 ^{+0.015} / _{+0.000}	2.500 ^{+0.000} / _{-.002}	2.501 ^{+0.002} / _{+0.000}	2.938 ^{+0.002} / _{+0.000}	2.500 ^{+0.000} / _{-.002}	2.936 ^{+0.000} / _{-.002}	2.938 ^{+0.002} / _{+0.000}	\$21.15
U21-2.50CN	2-1/2	2-15/16	7/32	.241 ^{+0.015} / _{+0.000}	2.500 ^{+0.000} / _{-.002}	2.501 ^{+0.002} / _{+0.000}	2.938 ^{+0.002} / _{+0.000}	2.500 ^{+0.000} / _{-.002}	2.936 ^{+0.000} / _{-.002}	2.938 ^{+0.002} / _{+0.000}	34.36
U21-2.81	2-13/16	3-1/4	7/32	.241 ^{+0.015} / _{+0.000}	2.812 ^{+0.000} / _{-.002}	2.814 ^{+0.002} / _{+0.000}	3.250 ^{+0.002} / _{+0.000}	2.812 ^{+0.000} / _{-.002}	3.249 ^{+0.000} / _{-.002}	3.250 ^{+0.002} / _{+0.000}	20.17
U21-3.00	3	3-7/16	7/32	.241 ^{+0.015} / _{+0.000}	3.000 ^{+0.000} / _{-.002}	3.001 ^{+0.002} / _{+0.000}	3.438 ^{+0.002} / _{+0.000}	3.000 ^{+0.000} / _{-.002}	3.436 ^{+0.000} / _{-.002}	3.438 ^{+0.002} / _{+0.000}	19.45
U21-3.00CN	3	3-7/16	7/32	.241 ^{+0.015} / _{+0.000}	3.000 ^{+0.000} / _{-.002}	3.001 ^{+0.002} / _{+0.000}	3.438 ^{+0.002} / _{+0.000}	3.000 ^{+0.000} / _{-.002}	3.436 ^{+0.000} / _{-.002}	3.438 ^{+0.002} / _{+0.000}	42.93
1/4" C/S											
U25-0.25	1/4	3/4	1/4	.275 ^{+0.015} / _{+0.000}	.250 ^{+0.000} / _{-.002}	.251 ^{+0.003} / _{+0.000}	.750 ^{+0.003} / _{+0.000}	.250 ^{+0.000} / _{-.003}	.749 ^{+0.000} / _{-.002}	.750 ^{+0.003} / _{+0.000}	\$9.29
U25-0.31	5/16	13/16	1/4	.275 ^{+0.015} / _{+0.000}	.312 ^{+0.000} / _{-.002}	.313 ^{+0.003} / _{+0.000}	.813 ^{+0.003} / _{+0.000}	.312 ^{+0.000} / _{-.003}	.812 ^{+0.000} / _{-.002}	.813 ^{+0.003} / _{+0.000}	9.10
U25-0.37	3/8	7/8	1/4	.275 ^{+0.015} / _{+0.000}	.375 ^{+0.000} / _{-.002}	.376 ^{+0.003} / _{+0.000}	.875 ^{+0.003} / _{+0.000}	.375 ^{+0.000} / _{-.003}	.874 ^{+0.000} / _{-.002}	.875 ^{+0.003} / _{+0.000}	9.29
U25-0.43	7/16	15/16	1/4	.275 ^{+0.015} / _{+0.000}	.437 ^{+0.000} / _{-.002}	.438 ^{+0.003} / _{+0.000}	.938 ^{+0.003} / _{+0.000}	.437 ^{+0.000} / _{-.003}	.936 ^{+0.000} / _{-.002}	.938 ^{+0.003} / _{+0.000}	9.29
U25-0.50	1/2	1	1/4	.275 ^{+0.015} / _{+0.000}	.500 ^{+0.000} / _{-.002}	.501 ^{+0.003} / _{+0.000}	1.000 ^{+0.003} / _{+0.000}	.500 ^{+0.000} / _{-.003}	.999 ^{+0.000} / _{-.002}	1.000 ^{+0.003} / _{+0.000}	9.29
U25-0.50-37B	1/2	1	3/8	.413 ^{+0.015} / _{+0.000}	.500 ^{+0.000} / _{-.002}	.501 ^{+0.003} / _{+0.000}	1.000 ^{+0.003} / _{+0.000}	.500 ^{+0.000} / _{-.003}	.999 ^{+0.000} / _{-.002}	1.000 ^{+0.003} / _{+0.000}	9.63
U25-0.56	9/16	1-1/16	1/4	.275 ^{+0.015} / _{+0.000}	.562 ^{+0.000} / _{-.002}	.563 ^{+0.003} / _{+0.000}	1.063 ^{+0.003} / _{+0.000}	.562 ^{+0.000} / _{-.003}	1.061 ^{+0.000} / _{-.002}	1.063 ^{+0.003} / _{+0.000}	9.29
U25-0.62	5/8	1-1/8	1/4	.275 ^{+0.015} / _{+0.000}	.625 ^{+0.000} / _{-.002}	.626 ^{+0.003} / _{+0.000}	1.125 ^{+0.003} / _{+0.000}	.625 ^{+0.000} / _{-.003}	1.124 ^{+0.000} / _{-.002}	1.125 ^{+0.003} / _{+0.000}	9.29
U25-0.62-37B	5/8	1-1/8	3/8	.413 ^{+0.015} / _{+0.000}	.625 ^{+0.000} / _{-.002}	.626 ^{+0.003} / _{+0.000}	1.125 ^{+0.003} / _{+0.000}	.625 ^{+0.000} / _{-.003}	1.124 ^{+0.000} / _{-.002}	1.125 ^{+0.003} / _{+0.000}	10.00
U25-0.68	11/16	1-3/16	1/4	.275 ^{+0.015} / _{+0.000}	.687 ^{+0.000} / _{-.002}	.688 ^{+0.003} / _{+0.000}	1.188 ^{+0.003} / _{+0.000}	.687 ^{+0.000} / _{-.003}	1.186 ^{+0.000} / _{-.002}	1.188 ^{+0.003} / _{+0.000}	9.29
U25-0.68-37B	11/16	1-3/16	3/8	.413 ^{+0.015} / _{+0.000}	.687 ^{+0.000} / _{-.002}	.688 ^{+0.003} / _{+0.000}	1.188 ^{+0.003} / _{+0.000}	.687 ^{+0.000} / _{-.003}	1.186 ^{+0.000} / _{-.002}	1.188 ^{+0.003} / _{+0.000}	10.00
U25-0.75	3/4	1-1/4	1/4	.275 ^{+0.015} / _{+0.000}	.750 ^{+0.000} / _{-.002}	.751 ^{+0.003} / _{+0.000}	1.250 ^{+0.003} / _{+0.000}	.750 ^{+0.000} / _{-.003}	1.249 ^{+0.000} / _{-.002}	1.250 ^{+0.003} / _{+0.000}	13.03
U25-0.75-SQB	3/4	1-1/4	1/4	.275 ^{+0.015} / _{+0.000}	.750 ^{+0.000} / _{-.002}	.751 ^{+0.003} / _{+0.000}	1.250 ^{+0.003} / _{+0.000}	.750 ^{+0.000} / _{-.003}	1.249 ^{+0.000} / _{-.002}	1.250 ^{+0.003} / _{+0.000}	9.29
U25-0.75-37B	3/4	1-1/4	3/8	.413 ^{+0.015} / _{+0.000}	.750 ^{+0.000} / _{-.002}	.751 ^{+0.003} / _{+0.000}	1.250 ^{+0.003} / _{+0.000}	.750 ^{+0.000} / _{-.003}	1.249 ^{+0.000} / _{-.002}	1.250 ^{+0.003} / _{+0.000}	10.00
U25-0.81	13/16	1-5/16	1/4	.275 ^{+0.015} / _{+0.000}	.812 ^{+0.000} / _{-.002}	.813 ^{+0.003} / _{+0.000}	1.313 ^{+0.003} / _{+0.000}	.812 ^{+0.000} / _{-.003}	1.311 ^{+0.000} / _{-.002}	1.313 ^{+0.003} / _{+0.000}	8.84
U25-0.81-37B	13/16	1-5/16	3/8	.413 ^{+0.015} / _{+0.000}	.812 ^{+0.000} / _{-.002}	.813 ^{+0.003} / _{+0.000}	1.313 ^{+0.003} / _{+0.000}	.812 ^{+0.000} / _{-.003}	1.311 ^{+0.000} / _{-.002}	1.313 ^{+0.003} / _{+0.000}	11.55
U25-0.87-SQB	7/8	1-3/8	1/4	.275 ^{+0.015} / _{+0.000}	.875 ^{+0.000} / _{-.002}	.876 ^{+0.003} / _{+0.000}	1.375 ^{+0.003} / _{+0.000}	.875 ^{+0.000} / _{-.003}	1.374 ^{+0.000} / _{-.002}	1.375 ^{+0.003} / _{+0.000}	9.47
U25-0.87-37B	7/8	1-3/8	3/8	.413 ^{+0.015} / _{+0.000}	.875 ^{+0.000} / _{-.002}	.876 ^{+0.003} / _{+0.000}	1.375 ^{+0.003} / _{+0.000}	.875 ^{+0.000} / _{-.003}	1.374 ^{+0.000} / _{-.002}	1.375 ^{+0.003} / _{+0.000}	10.40
U25-0.93	15/16	1-7/16	1/4	.275 ^{+0.015} / _{+0.000}	.937 ^{+0.000} / _{-.002}	.938 ^{+0.003} / _{+0.000}	1.438 ^{+0.003} / _{+0.000}	.937 ^{+0.000} / _{-.003}	1.436 ^{+0.000} / _{-.002}	1.438 ^{+0.003} / _{+0.000}	9.50
U25-1.00	1	1-1/2	1/4	.275 ^{+0.015} / _{+0.000}	1.000 ^{+0.000} / _{-.002}	1.001 ^{+0.003} / _{+0.000}	1.500 ^{+0.003} / _{+0.000}	1.000 ^{+0.000} / _{-.003}	1.499 ^{+0.000} / _{-.002}	1.500 ^{+0.003} / _{+0.000}	9.09
U25-1.00-SQB	1	1-1/2	1/4	.275 ^{+0.015} / _{+0.000}	1.000 ^{+0.000} / _{-.002}	1.001 ^{+0.003} / _{+0.000}	1.500 ^{+0.003} / _{+0.000}	1.000 ^{+0.000} / _{-.003}	1.499 ^{+0.000} / _{-.002}	1.500 ^{+0.003} / _{+0.000}	9.09

STYLE 800 POLYURETHANE U-SEALS

U-SEALS

Part Number	A Nom. ID	B Nom. OD	C Nom. Ht	D GROOVE WIDTH	E ROD DIAMETER	F THROAT DIAMETER	G HOUSING DIAMETER	H GROOVE DIAMETER	I PISTON DIAMETER	J BORE DIAMETER	List Price
U25-1.00-37B	1	1-1/2	3/8	.413 ^{+0.015} / _{+0.000}	1.000 ^{+0.000} / _{-.002}	1.001 ^{+0.003} / _{+0.000}	1.500 ^{+0.003} / _{+0.000}	1.000 ^{+0.000} / _{-.003}	1.499 ^{+0.000} / _{-.002}	1.500 ^{+0.003} / _{+0.000}	10.10
U25-1.00-37D	1	1-1/2	3/8	.413 ^{+0.015} / _{+0.000}	1.000 ^{+0.000} / _{-.002}	1.001 ^{+0.003} / _{+0.000}	1.500 ^{+0.003} / _{+0.000}	1.000 ^{+0.000} / _{-.003}	1.499 ^{+0.000} / _{-.002}	1.500 ^{+0.003} / _{+0.000}	11.58
U25-1.06	1-1/16	1-9/16	1/4	.275 ^{+0.015} / _{+0.000}	1.062 ^{+0.000} / _{-.002}	1.063 ^{+0.003} / _{+0.000}	1.563 ^{+0.003} / _{+0.000}	1.062 ^{+0.000} / _{-.003}	1.561 ^{+0.000} / _{-.002}	1.563 ^{+0.003} / _{+0.000}	9.74
U25-1.12	1-1/8	1-5/8	1/4	.275 ^{+0.015} / _{+0.000}	1.125 ^{+0.000} / _{-.002}	1.126 ^{+0.003} / _{+0.000}	1.625 ^{+0.003} / _{+0.000}	1.125 ^{+0.000} / _{-.003}	1.624 ^{+0.000} / _{-.002}	1.625 ^{+0.003} / _{+0.000}	9.47
U25-1.12-SQB	1-1/8	1-5/8	1/4	.275 ^{+0.015} / _{+0.000}	1.125 ^{+0.000} / _{-.002}	1.126 ^{+0.003} / _{+0.000}	1.625 ^{+0.003} / _{+0.000}	1.125 ^{+0.000} / _{-.003}	1.624 ^{+0.000} / _{-.002}	1.625 ^{+0.003} / _{+0.000}	13.31
U25-1.12-37B	1-1/8	1-5/8	3/8	.413 ^{+0.015} / _{+0.000}	1.125 ^{+0.000} / _{-.002}	1.126 ^{+0.003} / _{+0.000}	1.625 ^{+0.003} / _{+0.000}	1.125 ^{+0.000} / _{-.003}	1.624 ^{+0.000} / _{-.002}	1.625 ^{+0.003} / _{+0.000}	10.87
U25-1.18	1-3/16	1-11/16	1/4	.275 ^{+0.015} / _{+0.000}	1.187 ^{+0.000} / _{-.002}	1.188 ^{+0.003} / _{+0.000}	1.688 ^{+0.003} / _{+0.000}	1.187 ^{+0.000} / _{-.003}	1.686 ^{+0.000} / _{-.002}	1.688 ^{+0.003} / _{+0.000}	9.96
U25-1.25	1-1/4	1-3/4	1/4	.275 ^{+0.015} / _{+0.000}	1.250 ^{+0.000} / _{-.002}	1.251 ^{+0.003} / _{+0.000}	1.750 ^{+0.003} / _{+0.000}	1.250 ^{+0.000} / _{-.003}	1.749 ^{+0.000} / _{-.002}	1.750 ^{+0.003} / _{+0.000}	9.63
U25-1.25-SQB	1-1/4	1-3/4	1/4	.275 ^{+0.015} / _{+0.000}	1.250 ^{+0.000} / _{-.002}	1.251 ^{+0.003} / _{+0.000}	1.750 ^{+0.003} / _{+0.000}	1.250 ^{+0.000} / _{-.003}	1.749 ^{+0.000} / _{-.002}	1.750 ^{+0.003} / _{+0.000}	9.63
U25-1.25-37B	1-1/4	1-3/4	3/8	.413 ^{+0.015} / _{+0.000}	1.250 ^{+0.000} / _{-.002}	1.251 ^{+0.003} / _{+0.000}	1.750 ^{+0.003} / _{+0.000}	1.250 ^{+0.000} / _{-.003}	1.749 ^{+0.000} / _{-.002}	1.750 ^{+0.003} / _{+0.000}	10.90
U25-1.25-37D	1-1/4	1-3/4	3/8	.413 ^{+0.015} / _{+0.000}	1.250 ^{+0.000} / _{-.002}	1.251 ^{+0.003} / _{+0.000}	1.750 ^{+0.003} / _{+0.000}	1.250 ^{+0.000} / _{-.003}	1.749 ^{+0.000} / _{-.002}	1.750 ^{+0.003} / _{+0.000}	10.90
U25-1.31	1-5/16	1-13/16	1/4	.275 ^{+0.015} / _{+0.000}	1.312 ^{+0.000} / _{-.002}	1.313 ^{+0.003} / _{+0.000}	1.813 ^{+0.003} / _{+0.000}	1.312 ^{+0.000} / _{-.003}	1.811 ^{+0.000} / _{-.002}	1.813 ^{+0.003} / _{+0.000}	10.44
U25-1.31-37B	1-5/16	1-13/16	3/8	.413 ^{+0.015} / _{+0.000}	1.312 ^{+0.000} / _{-.002}	1.313 ^{+0.003} / _{+0.000}	1.813 ^{+0.003} / _{+0.000}	1.312 ^{+0.000} / _{-.003}	1.811 ^{+0.000} / _{-.002}	1.813 ^{+0.003} / _{+0.000}	10.90
U25-1.37	1-3/8	1-7/8	1/4	.275 ^{+0.015} / _{+0.000}	1.375 ^{+0.000} / _{-.002}	1.376 ^{+0.003} / _{+0.000}	1.875 ^{+0.003} / _{+0.000}	1.375 ^{+0.000} / _{-.003}	1.874 ^{+0.000} / _{-.002}	1.875 ^{+0.003} / _{+0.000}	14.30
U25-1.37-SQB	1-3/8	1-7/8	1/4	.275 ^{+0.015} / _{+0.000}	1.375 ^{+0.000} / _{-.002}	1.376 ^{+0.003} / _{+0.000}	1.875 ^{+0.003} / _{+0.000}	1.375 ^{+0.000} / _{-.003}	1.874 ^{+0.000} / _{-.002}	1.875 ^{+0.003} / _{+0.000}	10.87
U25-1.37-37B	1-3/8	1-7/8	3/8	.413 ^{+0.015} / _{+0.000}	1.375 ^{+0.000} / _{-.002}	1.376 ^{+0.003} / _{+0.000}	1.875 ^{+0.003} / _{+0.000}	1.375 ^{+0.000} / _{-.003}	1.874 ^{+0.000} / _{-.002}	1.875 ^{+0.003} / _{+0.000}	11.30
U25-1.43	1-7/16	1-15/16	1/4	.275 ^{+0.015} / _{+0.000}	1.437 ^{+0.000} / _{-.002}	1.438 ^{+0.003} / _{+0.000}	1.938 ^{+0.003} / _{+0.000}	1.437 ^{+0.000} / _{-.003}	1.936 ^{+0.000} / _{-.002}	1.938 ^{+0.003} / _{+0.000}	11.14
U25-1.43-37B	1-7/16	1-15/16	3/8	.413 ^{+0.015} / _{+0.000}	1.437 ^{+0.000} / _{-.002}	1.438 ^{+0.003} / _{+0.000}	1.938 ^{+0.003} / _{+0.000}	1.437 ^{+0.000} / _{-.003}	1.936 ^{+0.000} / _{-.002}	1.938 ^{+0.003} / _{+0.000}	11.84
U25-1.50	1-1/2	2	1/4	.275 ^{+0.015} / _{+0.000}	1.500 ^{+0.000} / _{-.002}	1.501 ^{+0.003} / _{+0.000}	2.000 ^{+0.003} / _{+0.000}	1.500 ^{+0.000} / _{-.003}	1.999 ^{+0.000} / _{-.002}	2.000 ^{+0.003} / _{+0.000}	11.14
U25-1.50-SQB	1-1/2	2	1/4	.275 ^{+0.015} / _{+0.000}	1.500 ^{+0.000} / _{-.002}	1.501 ^{+0.003} / _{+0.000}	2.000 ^{+0.003} / _{+0.000}	1.500 ^{+0.000} / _{-.003}	1.999 ^{+0.000} / _{-.002}	2.000 ^{+0.003} / _{+0.000}	10.97
U25-1.50-31B	1-1/2	2	5/16	.344 ^{+0.015} / _{+0.000}	1.500 ^{+0.000} / _{-.002}	1.501 ^{+0.003} / _{+0.000}	2.000 ^{+0.003} / _{+0.000}	1.500 ^{+0.000} / _{-.003}	1.999 ^{+0.000} / _{-.002}	2.000 ^{+0.003} / _{+0.000}	12.39
U25-1.50-37B	1-1/2	2	3/8	.413 ^{+0.015} / _{+0.000}	1.500 ^{+0.000} / _{-.002}	1.501 ^{+0.003} / _{+0.000}	2.000 ^{+0.003} / _{+0.000}	1.500 ^{+0.000} / _{-.003}	1.999 ^{+0.000} / _{-.002}	2.000 ^{+0.003} / _{+0.000}	12.39
U25-1.50-37D	1-1/2	2	3/8	.413 ^{+0.015} / _{+0.000}	1.500 ^{+0.000} / _{-.002}	1.501 ^{+0.003} / _{+0.000}	2.000 ^{+0.003} / _{+0.000}	1.500 ^{+0.000} / _{-.003}	1.999 ^{+0.000} / _{-.002}	2.000 ^{+0.003} / _{+0.000}	13.71
U25-1.50-50B	1-1/2	2	1/2	.550 ^{+0.015} / _{+0.000}	1.500 ^{+0.000} / _{-.002}	1.501 ^{+0.003} / _{+0.000}	2.000 ^{+0.003} / _{+0.000}	1.500 ^{+0.000} / _{-.003}	1.999 ^{+0.000} / _{-.002}	2.000 ^{+0.003} / _{+0.000}	16.38
U25-1.62	1-5/8	2-1/8	1/4	.275 ^{+0.015} / _{+0.000}	1.625 ^{+0.000} / _{-.002}	1.626 ^{+0.003} / _{+0.000}	2.125 ^{+0.003} / _{+0.000}	1.625 ^{+0.000} / _{-.003}	2.124 ^{+0.000} / _{-.002}	2.125 ^{+0.003} / _{+0.000}	12.21
U25-1.62-37B	1-5/8	2-1/8	3/8	.413 ^{+0.015} / _{+0.000}	1.625 ^{+0.000} / _{-.002}	1.626 ^{+0.003} / _{+0.000}	2.125 ^{+0.003} / _{+0.000}	1.625 ^{+0.000} / _{-.003}	2.124 ^{+0.000} / _{-.002}	2.125 ^{+0.003} / _{+0.000}	13.49
U25-1.75	1-3/4	2-1/4	1/4	.275 ^{+0.015} / _{+0.000}	1.750 ^{+0.000} / _{-.002}	1.751 ^{+0.003} / _{+0.000}	2.250 ^{+0.003} / _{+0.000}	1.750 ^{+0.000} / _{-.003}	2.249 ^{+0.000} / _{-.002}	2.250 ^{+0.003} / _{+0.000}	12.75
U25-1.75-SQB	1-3/4	2-1/4	1/4	.275 ^{+0.015} / _{+0.000}	1.750 ^{+0.000} / _{-.002}	1.751 ^{+0.003} / _{+0.000}	2.250 ^{+0.003} / _{+0.000}	1.750 ^{+0.000} / _{-.003}	2.249 ^{+0.000} / _{-.002}	2.250 ^{+0.003} / _{+0.000}	19.40
U25-1.75-31B	1-3/4	2-1/4	5/16	.344 ^{+0.015} / _{+0.000}	1.750 ^{+0.000} / _{-.002}	1.751 ^{+0.003} / _{+0.000}	2.250 ^{+0.003} / _{+0.000}	1.750 ^{+0.000} / _{-.003}	2.249 ^{+0.000} / _{-.002}	2.250 ^{+0.003} / _{+0.000}	15.06
U25-1.75-37B	1-3/4	2-1/4	3/8	.413 ^{+0.015} / _{+0.000}	1.750 ^{+0.000} / _{-.002}	1.751 ^{+0.003} / _{+0.000}	2.250 ^{+0.003} / _{+0.000}	1.750 ^{+0.000} / _{-.003}	2.249 ^{+0.000} / _{-.002}	2.250 ^{+0.003} / _{+0.000}	13.55
U25-1.75-37D	1-3/4	2-1/4	3/8	.413 ^{+0.015} / _{+0.000}	1.750 ^{+0.000} / _{-.002}	1.751 ^{+0.003} / _{+0.000}	2.250 ^{+0.003} / _{+0.000}	1.750 ^{+0.000} / _{-.003}	2.249 ^{+0.000} / _{-.002}	2.250 ^{+0.003} / _{+0.000}	13.79
U25-1.75-50D	1-3/4	2-1/4	1/2	.550 ^{+0.015} / _{+0.000}	1.750 ^{+0.000} / _{-.002}	1.751 ^{+0.003} / _{+0.000}	2.250 ^{+0.003} / _{+0.000}	1.750 ^{+0.000} / _{-.003}	2.249 ^{+0.000} / _{-.002}	2.250 ^{+0.003} / _{+0.000}	14.58
U25-1.87	1-7/8	2-3/8	1/4	.275 ^{+0.015} / _{+0.000}	1.875 ^{+0.000} / _{-.002}	1.876 ^{+0.003} / _{+0.000}	2.375 ^{+0.003} / _{+0.000}	1.875 ^{+0.000} / _{-.003}	2.374 ^{+0.000} / _{-.002}	2.375 ^{+0.003} / _{+0.000}	13.49

STYLE 800 POLYURETHANE U-SEALS



U-SEALS

Part Number	A Nom. ID	B Nom. OD	C Nom. Ht	D GROOVE WIDTH	E ROD DIAMETER	F THROAT DIAMETER	G HOUSING DIAMETER	H GROOVE DIAMETER	I PISTON DIAMETER	J BORE DIAMETER	List Price
U25-1.87-37B	1-7/8	2-3/8	3/8	.413 ^{+0.015} / _{+0.000}	1.875 ^{+0.000} / _{-0.002}	1.876 ^{+0.003} / _{+0.000}	2.375 ^{+0.003} / _{+0.000}	1.875 ^{+0.000} / _{-0.003}	2.374 ^{+0.000} / _{-0.002}	2.375 ^{+0.003} / _{+0.000}	14.88
U25-2.00	2	2-1/2	1/4	.275 ^{+0.015} / _{+0.000}	2.000 ^{+0.000} / _{-0.002}	2.001 ^{+0.003} / _{+0.000}	2.500 ^{+0.003} / _{+0.000}	2.000 ^{+0.000} / _{-0.003}	2.499 ^{+0.000} / _{-0.002}	2.500 ^{+0.003} / _{+0.000}	13.66
U25-2.00-SQB	2	2-1/2	1/4	.275 ^{+0.015} / _{+0.000}	2.000 ^{+0.000} / _{-0.002}	2.001 ^{+0.003} / _{+0.000}	2.500 ^{+0.003} / _{+0.000}	2.000 ^{+0.000} / _{-0.003}	2.499 ^{+0.000} / _{-0.002}	2.500 ^{+0.003} / _{+0.000}	13.55
U25-2.00-31B	2	2-1/2	5/16	.344 ^{+0.015} / _{+0.000}	2.000 ^{+0.000} / _{-0.002}	2.001 ^{+0.003} / _{+0.000}	2.500 ^{+0.003} / _{+0.000}	2.000 ^{+0.000} / _{-0.003}	2.499 ^{+0.000} / _{-0.002}	2.500 ^{+0.003} / _{+0.000}	13.52
U25-2.00-37B	2	2-1/2	3/8	.413 ^{+0.015} / _{+0.000}	2.000 ^{+0.000} / _{-0.002}	2.001 ^{+0.003} / _{+0.000}	2.500 ^{+0.003} / _{+0.000}	2.000 ^{+0.000} / _{-0.003}	2.499 ^{+0.000} / _{-0.002}	2.500 ^{+0.003} / _{+0.000}	14.83
U25-2.00-37D	2	2-1/2	3/8	.413 ^{+0.015} / _{+0.000}	2.000 ^{+0.000} / _{-0.002}	2.001 ^{+0.003} / _{+0.000}	2.500 ^{+0.003} / _{+0.000}	2.000 ^{+0.000} / _{-0.003}	2.499 ^{+0.000} / _{-0.002}	2.500 ^{+0.003} / _{+0.000}	14.83
U25-2.12	2-1/8	2-5/8	1/4	.275 ^{+0.015} / _{+0.000}	2.125 ^{+0.000} / _{-0.002}	2.126 ^{+0.003} / _{+0.000}	2.625 ^{+0.003} / _{+0.000}	2.125 ^{+0.000} / _{-0.003}	2.624 ^{+0.000} / _{-0.002}	2.625 ^{+0.003} / _{+0.000}	14.96
U25-2.12-37B	2-1/8	2-5/8	3/8	.413 ^{+0.015} / _{+0.000}	2.125 ^{+0.000} / _{-0.002}	2.126 ^{+0.003} / _{+0.000}	2.625 ^{+0.003} / _{+0.000}	2.125 ^{+0.000} / _{-0.003}	2.624 ^{+0.000} / _{-0.002}	2.625 ^{+0.003} / _{+0.000}	16.50
U25-2.18-37B	2-3/16	2-11/16	3/8	.413 ^{+0.015} / _{+0.000}	2.187 ^{+0.000} / _{-0.002}	2.189 ^{+0.003} / _{+0.000}	2.688 ^{+0.003} / _{+0.000}	2.187 ^{+0.000} / _{-0.003}	2.687 ^{+0.000} / _{-0.002}	2.688 ^{+0.003} / _{+0.000}	17.60
U25-2.25	2-1/4	2-3/4	1/4	.275 ^{+0.015} / _{+0.000}	2.250 ^{+0.000} / _{-0.002}	2.251 ^{+0.003} / _{+0.000}	2.750 ^{+0.003} / _{+0.000}	2.250 ^{+0.000} / _{-0.003}	2.749 ^{+0.000} / _{-0.002}	2.750 ^{+0.003} / _{+0.000}	15.59
U25-2.25-37B	2-1/4	2-3/4	3/8	.413 ^{+0.015} / _{+0.000}	2.250 ^{+0.000} / _{-0.002}	2.251 ^{+0.003} / _{+0.000}	2.750 ^{+0.003} / _{+0.000}	2.250 ^{+0.000} / _{-0.003}	2.749 ^{+0.000} / _{-0.002}	2.750 ^{+0.003} / _{+0.000}	16.66
U25-2.25-37D	2-1/4	2-3/4	3/8	.413 ^{+0.015} / _{+0.000}	2.250 ^{+0.000} / _{-0.002}	2.251 ^{+0.003} / _{+0.000}	2.750 ^{+0.003} / _{+0.000}	2.250 ^{+0.000} / _{-0.003}	2.749 ^{+0.000} / _{-0.002}	2.750 ^{+0.003} / _{+0.000}	18.78
U25-2.37	2-3/8	2-7/8	1/4	.275 ^{+0.015} / _{+0.000}	2.375 ^{+0.000} / _{-0.002}	2.376 ^{+0.003} / _{+0.000}	2.875 ^{+0.003} / _{+0.000}	2.375 ^{+0.000} / _{-0.003}	2.874 ^{+0.000} / _{-0.002}	2.875 ^{+0.003} / _{+0.000}	16.49
U25-2.37-37B	2-3/8	2-7/8	3/8	.413 ^{+0.015} / _{+0.000}	2.375 ^{+0.000} / _{-0.002}	2.376 ^{+0.003} / _{+0.000}	2.875 ^{+0.003} / _{+0.000}	2.375 ^{+0.000} / _{-0.003}	2.874 ^{+0.000} / _{-0.002}	2.875 ^{+0.003} / _{+0.000}	18.31
U25-2.50	2-1/2	3	1/4	.275 ^{+0.015} / _{+0.000}	2.500 ^{+0.000} / _{-0.002}	2.501 ^{+0.003} / _{+0.000}	3.000 ^{+0.003} / _{+0.000}	2.500 ^{+0.000} / _{-0.003}	2.999 ^{+0.000} / _{-0.002}	3.000 ^{+0.003} / _{+0.000}	16.40
U25-2.50-SQB	2-1/2	3	1/4	.275 ^{+0.015} / _{+0.000}	2.500 ^{+0.000} / _{-0.002}	2.501 ^{+0.003} / _{+0.000}	3.000 ^{+0.003} / _{+0.000}	2.500 ^{+0.000} / _{-0.003}	2.999 ^{+0.000} / _{-0.002}	3.000 ^{+0.003} / _{+0.000}	16.40
U25-2.50-31B	2-1/2	3	5/16	.344 ^{+0.015} / _{+0.000}	2.500 ^{+0.000} / _{-0.002}	2.501 ^{+0.003} / _{+0.000}	3.000 ^{+0.003} / _{+0.000}	2.500 ^{+0.000} / _{-0.003}	2.999 ^{+0.000} / _{-0.002}	3.000 ^{+0.003} / _{+0.000}	18.87
U25-2.50-31D	2-1/2	3	5/16	.344 ^{+0.015} / _{+0.000}	2.500 ^{+0.000} / _{-0.002}	2.501 ^{+0.003} / _{+0.000}	3.000 ^{+0.003} / _{+0.000}	2.500 ^{+0.000} / _{-0.003}	2.999 ^{+0.000} / _{-0.002}	3.000 ^{+0.003} / _{+0.000}	20.58
U25-2.50-37B	2-1/2	3	3/8	.413 ^{+0.015} / _{+0.000}	2.500 ^{+0.000} / _{-0.002}	2.501 ^{+0.003} / _{+0.000}	3.000 ^{+0.003} / _{+0.000}	2.500 ^{+0.000} / _{-0.003}	2.999 ^{+0.000} / _{-0.002}	3.000 ^{+0.003} / _{+0.000}	18.34
U25-2.50-37D	2-1/2	3	3/8	.413 ^{+0.015} / _{+0.000}	2.500 ^{+0.000} / _{-0.002}	2.501 ^{+0.003} / _{+0.000}	3.000 ^{+0.003} / _{+0.000}	2.500 ^{+0.000} / _{-0.003}	2.999 ^{+0.000} / _{-0.002}	3.000 ^{+0.003} / _{+0.000}	18.34
U25-2.50-50B	2-1/2	3	1/2	.550 ^{+0.015} / _{+0.000}	2.500 ^{+0.000} / _{-0.002}	2.501 ^{+0.003} / _{+0.000}	3.000 ^{+0.003} / _{+0.000}	2.500 ^{+0.000} / _{-0.003}	2.999 ^{+0.000} / _{-0.002}	3.000 ^{+0.003} / _{+0.000}	18.34
U25-2.62	2-5/8	3-1/8	1/4	.275 ^{+0.015} / _{+0.000}	2.625 ^{+0.000} / _{-0.002}	2.626 ^{+0.003} / _{+0.000}	3.125 ^{+0.003} / _{+0.000}	2.625 ^{+0.000} / _{-0.003}	3.124 ^{+0.000} / _{-0.002}	3.125 ^{+0.003} / _{+0.000}	25.22
U25-2.62-37B	2-5/8	3-1/8	3/8	.413 ^{+0.015} / _{+0.000}	2.625 ^{+0.000} / _{-0.002}	2.626 ^{+0.003} / _{+0.000}	3.125 ^{+0.003} / _{+0.000}	2.625 ^{+0.000} / _{-0.003}	3.124 ^{+0.000} / _{-0.002}	3.125 ^{+0.003} / _{+0.000}	19.13
U25-2.75	2-3/4	3-1/4	1/4	.275 ^{+0.015} / _{+0.000}	2.750 ^{+0.000} / _{-0.002}	2.751 ^{+0.003} / _{+0.000}	3.250 ^{+0.003} / _{+0.000}	2.750 ^{+0.000} / _{-0.003}	3.249 ^{+0.000} / _{-0.002}	3.250 ^{+0.003} / _{+0.000}	17.77
U25-2.75-SQB	2-3/4	3-1/4	1/4	.275 ^{+0.015} / _{+0.000}	2.750 ^{+0.000} / _{-0.002}	2.751 ^{+0.003} / _{+0.000}	3.250 ^{+0.003} / _{+0.000}	2.750 ^{+0.000} / _{-0.003}	3.249 ^{+0.000} / _{-0.002}	3.250 ^{+0.003} / _{+0.000}	17.77
U25-2.75-37B	2-3/4	3-1/4	3/8	.413 ^{+0.015} / _{+0.000}	2.750 ^{+0.000} / _{-0.002}	2.751 ^{+0.003} / _{+0.000}	3.250 ^{+0.003} / _{+0.000}	2.750 ^{+0.000} / _{-0.003}	3.249 ^{+0.000} / _{-0.002}	3.250 ^{+0.003} / _{+0.000}	20.04
U25-2.75-37D	2-3/4	3-1/4	3/8	.413 ^{+0.015} / _{+0.000}	2.750 ^{+0.000} / _{-0.002}	2.751 ^{+0.003} / _{+0.000}	3.250 ^{+0.003} / _{+0.000}	2.750 ^{+0.000} / _{-0.003}	3.249 ^{+0.000} / _{-0.002}	3.250 ^{+0.003} / _{+0.000}	31.03
U25-2.75-50B	2-3/4	3-1/4	1/2	.550 ^{+0.015} / _{+0.000}	2.750 ^{+0.000} / _{-0.002}	2.751 ^{+0.003} / _{+0.000}	3.250 ^{+0.003} / _{+0.000}	2.750 ^{+0.000} / _{-0.003}	3.249 ^{+0.000} / _{-0.002}	3.250 ^{+0.003} / _{+0.000}	30.99
U25-2.87	2-7/8	3-3/8	1/4	.275 ^{+0.015} / _{+0.000}	2.875 ^{+0.000} / _{-0.002}	2.876 ^{+0.003} / _{+0.000}	3.375 ^{+0.003} / _{+0.000}	2.875 ^{+0.000} / _{-0.003}	3.374 ^{+0.000} / _{-0.002}	3.375 ^{+0.003} / _{+0.000}	19.34
U25-2.87-37B	2-7/8	3-3/8	3/8	.413 ^{+0.015} / _{+0.000}	2.875 ^{+0.000} / _{-0.002}	2.876 ^{+0.003} / _{+0.000}	3.375 ^{+0.003} / _{+0.000}	2.875 ^{+0.000} / _{-0.003}	3.374 ^{+0.000} / _{-0.002}	3.375 ^{+0.003} / _{+0.000}	20.80
U25-3.00	3	3-1/2	1/4	.275 ^{+0.015} / _{+0.000}	3.000 ^{+0.000} / _{-0.002}	3.001 ^{+0.003} / _{+0.000}	3.500 ^{+0.003} / _{+0.000}	3.000 ^{+0.000} / _{-0.003}	3.499 ^{+0.000} / _{-0.002}	3.500 ^{+0.003} / _{+0.000}	19.13
U25-3.00-SQB	3	3-1/2	1/4	.275 ^{+0.015} / _{+0.000}	3.000 ^{+0.000} / _{-0.002}	3.001 ^{+0.003} / _{+0.000}	3.500 ^{+0.003} / _{+0.000}	3.000 ^{+0.000} / _{-0.003}	3.499 ^{+0.000} / _{-0.002}	3.500 ^{+0.003} / _{+0.000}	19.13
U25-3.00-37B	3	3-1/2	3/8	.413 ^{+0.015} / _{+0.000}	3.000 ^{+0.000} / _{-0.002}	3.001 ^{+0.003} / _{+0.000}	3.500 ^{+0.003} / _{+0.000}	3.000 ^{+0.000} / _{-0.003}	3.499 ^{+0.000} / _{-0.002}	3.500 ^{+0.003} / _{+0.000}	21.62

STYLE 800 POLYURETHANE U-SEALS

U-SEALS

Part Number	A Nom. ID	B Nom. OD	C Nom. Ht	D GROOVE WIDTH	E ROD DIAMETER	F THROAT DIAMETER	G HOUSING DIAMETER	H GROOVE DIAMETER	I PISTON DIAMETER	J BORE DIAMETER	List Price
U25-3.00-37D	3	3-1/2	3/8	.413 ^{+0.015} / _{+0.000}	3.000 ^{+0.000} / _{-.002}	3.001 ^{+0.003} / _{+0.000}	3.500 ^{+0.003} / _{+0.000}	3.000 ^{+0.000} / _{-.003}	3.499 ^{+0.000} / _{-.002}	3.500 ^{+0.003} / _{+0.000}	21.62
U25-3.00-50B	3	3-1/2	1/2	.550 ^{+0.015} / _{+0.000}	3.000 ^{+0.000} / _{-.002}	3.001 ^{+0.003} / _{+0.000}	3.500 ^{+0.003} / _{+0.000}	3.000 ^{+0.000} / _{-.003}	3.499 ^{+0.000} / _{-.002}	3.500 ^{+0.003} / _{+0.000}	16.56
U25-3.12	3-1/8	3-5/8	1/4	.275 ^{+0.015} / _{+0.000}	3.125 ^{+0.000} / _{-.002}	3.126 ^{+0.003} / _{+0.000}	3.625 ^{+0.003} / _{+0.000}	3.125 ^{+0.000} / _{-.003}	3.624 ^{+0.000} / _{-.002}	3.625 ^{+0.003} / _{+0.000}	20.90
U25-3.12-37B	3-1/8	3-5/8	3/8	.413 ^{+0.015} / _{+0.000}	3.125 ^{+0.000} / _{-.002}	3.126 ^{+0.003} / _{+0.000}	3.625 ^{+0.003} / _{+0.000}	3.125 ^{+0.000} / _{-.003}	3.624 ^{+0.000} / _{-.002}	3.625 ^{+0.003} / _{+0.000}	26.89
U25-3.25	3-1/4	3-3/4	1/4	.275 ^{+0.015} / _{+0.000}	3.250 ^{+0.000} / _{-.002}	3.251 ^{+0.003} / _{+0.000}	3.750 ^{+0.003} / _{+0.000}	3.250 ^{+0.000} / _{-.003}	3.749 ^{+0.000} / _{-.002}	3.750 ^{+0.003} / _{+0.000}	21.47
U25-3.25-37B	3-1/4	3-3/4	3/8	.413 ^{+0.015} / _{+0.000}	3.250 ^{+0.000} / _{-.002}	3.251 ^{+0.003} / _{+0.000}	3.750 ^{+0.003} / _{+0.000}	3.250 ^{+0.000} / _{-.003}	3.749 ^{+0.000} / _{-.002}	3.750 ^{+0.003} / _{+0.000}	23.31
U25-3.25-37D	3-1/4	3-3/4	3/8	.413 ^{+0.015} / _{+0.000}	3.250 ^{+0.000} / _{-.002}	3.251 ^{+0.003} / _{+0.000}	3.750 ^{+0.003} / _{+0.000}	3.250 ^{+0.000} / _{-.003}	3.749 ^{+0.000} / _{-.002}	3.750 ^{+0.003} / _{+0.000}	23.31
U25-3.25-50B	3-1/4	3-3/4	1/2	.550 ^{+0.015} / _{+0.000}	3.250 ^{+0.000} / _{-.002}	3.251 ^{+0.003} / _{+0.000}	3.750 ^{+0.003} / _{+0.000}	3.250 ^{+0.000} / _{-.003}	3.749 ^{+0.000} / _{-.002}	3.750 ^{+0.003} / _{+0.000}	24.30
U25-3.37	3-3/8	3-7/8	1/4	.275 ^{+0.015} / _{+0.000}	3.375 ^{+0.000} / _{-.002}	3.376 ^{+0.003} / _{+0.000}	3.875 ^{+0.003} / _{+0.000}	3.375 ^{+0.000} / _{-.003}	3.874 ^{+0.000} / _{-.002}	3.875 ^{+0.003} / _{+0.000}	24.96
U25-3.37-SQB	3-3/8	3-7/8	1/4	.275 ^{+0.015} / _{+0.000}	3.375 ^{+0.000} / _{-.002}	3.376 ^{+0.003} / _{+0.000}	3.875 ^{+0.003} / _{+0.000}	3.375 ^{+0.000} / _{-.003}	3.874 ^{+0.000} / _{-.002}	3.875 ^{+0.003} / _{+0.000}	22.19
U25-3.37-37B	3-3/8	3-7/8	3/8	.413 ^{+0.015} / _{+0.000}	3.375 ^{+0.000} / _{-.002}	3.376 ^{+0.003} / _{+0.000}	3.875 ^{+0.003} / _{+0.000}	3.375 ^{+0.000} / _{-.003}	3.874 ^{+0.000} / _{-.002}	3.875 ^{+0.003} / _{+0.000}	24.15
U25-3.50	3-1/2	4	1/4	.275 ^{+0.015} / _{+0.000}	3.500 ^{+0.000} / _{-.002}	3.501 ^{+0.003} / _{+0.000}	4.000 ^{+0.003} / _{+0.000}	3.500 ^{+0.000} / _{-.003}	3.999 ^{+0.000} / _{-.002}	4.000 ^{+0.003} / _{+0.000}	22.93
U25-3.50-SQB	3-1/2	4	1/4	.275 ^{+0.015} / _{+0.000}	3.500 ^{+0.000} / _{-.002}	3.501 ^{+0.003} / _{+0.000}	4.000 ^{+0.003} / _{+0.000}	3.500 ^{+0.000} / _{-.003}	3.999 ^{+0.000} / _{-.002}	4.000 ^{+0.003} / _{+0.000}	22.93
U25-3.50CN	3-1/2	4	1/4	.275 ^{+0.015} / _{+0.000}	3.500 ^{+0.000} / _{-.002}	3.501 ^{+0.003} / _{+0.000}	4.000 ^{+0.003} / _{+0.000}	3.500 ^{+0.000} / _{-.003}	3.999 ^{+0.000} / _{-.002}	4.000 ^{+0.003} / _{+0.000}	86.89
U25-3.50-37B	3-1/2	4	3/8	.413 ^{+0.015} / _{+0.000}	3.500 ^{+0.000} / _{-.002}	3.501 ^{+0.003} / _{+0.000}	4.000 ^{+0.003} / _{+0.000}	3.500 ^{+0.000} / _{-.003}	3.999 ^{+0.000} / _{-.002}	4.000 ^{+0.003} / _{+0.000}	24.96
U25-3.50-37D	3-1/2	4	3/8	.413 ^{+0.015} / _{+0.000}	3.500 ^{+0.000} / _{-.002}	3.501 ^{+0.003} / _{+0.000}	4.000 ^{+0.003} / _{+0.000}	3.500 ^{+0.000} / _{-.003}	3.999 ^{+0.000} / _{-.002}	4.000 ^{+0.003} / _{+0.000}	24.96
U25-3.50-50B	3-1/2	4	1/2	.550 ^{+0.015} / _{+0.000}	3.500 ^{+0.000} / _{-.002}	3.501 ^{+0.003} / _{+0.000}	4.000 ^{+0.003} / _{+0.000}	3.500 ^{+0.000} / _{-.003}	3.999 ^{+0.000} / _{-.002}	4.000 ^{+0.003} / _{+0.000}	25.35
U25-3.50-50D	3-1/2	4	1/2	.550 ^{+0.015} / _{+0.000}	3.500 ^{+0.000} / _{-.002}	3.501 ^{+0.003} / _{+0.000}	4.000 ^{+0.003} / _{+0.000}	3.500 ^{+0.000} / _{-.003}	3.999 ^{+0.000} / _{-.002}	4.000 ^{+0.003} / _{+0.000}	29.03
U25-3.62	3-5/8	4-1/8	1/4	.275 ^{+0.015} / _{+0.000}	3.625 ^{+0.000} / _{-.002}	3.626 ^{+0.003} / _{+0.000}	4.125 ^{+0.003} / _{+0.000}	3.625 ^{+0.000} / _{-.003}	4.124 ^{+0.000} / _{-.002}	4.125 ^{+0.003} / _{+0.000}	23.66
U25-3.69-50B	3.69	4.19	1/2	.550 ^{+0.015} / _{+0.000}	3.690 ^{+0.000} / _{-.002}	3.691 ^{+0.003} / _{+0.000}	4.190 ^{+0.003} / _{+0.000}	3.690 ^{+0.000} / _{-.003}	4.189 ^{+0.000} / _{-.002}	4.190 ^{+0.003} / _{+0.000}	32.35
U25-3.75-SQB	3-3/4	4-1/4	1/4	.275 ^{+0.015} / _{+0.000}	3.750 ^{+0.000} / _{-.002}	3.751 ^{+0.003} / _{+0.000}	4.250 ^{+0.003} / _{+0.000}	3.750 ^{+0.000} / _{-.003}	4.249 ^{+0.000} / _{-.002}	4.250 ^{+0.003} / _{+0.000}	24.49
U25-3.75-37B	3-3/4	4-1/4	3/8	.413 ^{+0.015} / _{+0.000}	3.750 ^{+0.000} / _{-.002}	3.751 ^{+0.003} / _{+0.000}	4.250 ^{+0.003} / _{+0.000}	3.750 ^{+0.000} / _{-.003}	4.249 ^{+0.000} / _{-.002}	4.250 ^{+0.003} / _{+0.000}	26.42
U25-3.75-50B	3-3/4	4-1/4	1/2	.550 ^{+0.015} / _{+0.000}	3.750 ^{+0.000} / _{-.002}	3.751 ^{+0.003} / _{+0.000}	4.250 ^{+0.003} / _{+0.000}	3.750 ^{+0.000} / _{-.003}	4.249 ^{+0.000} / _{-.002}	4.250 ^{+0.003} / _{+0.000}	26.42
U25-3.75-56B	3-3/4	4-1/4	9/16	.619 ^{+0.015} / _{+0.000}	3.750 ^{+0.000} / _{-.002}	3.751 ^{+0.003} / _{+0.000}	4.250 ^{+0.003} / _{+0.000}	3.750 ^{+0.000} / _{-.003}	4.249 ^{+0.000} / _{-.002}	4.250 ^{+0.003} / _{+0.000}	26.42
U25-3.87	3-7/8	4-3/8	1/4	.275 ^{+0.015} / _{+0.000}	3.875 ^{+0.000} / _{-.002}	3.876 ^{+0.003} / _{+0.000}	4.375 ^{+0.003} / _{+0.000}	3.875 ^{+0.000} / _{-.003}	4.374 ^{+0.000} / _{-.002}	4.375 ^{+0.003} / _{+0.000}	25.13
U25-4.00	4	4-1/2	1/4	.275 ^{+0.015} / _{+0.000}	4.000 ^{+0.000} / _{-.002}	4.001 ^{+0.003} / _{+0.000}	4.500 ^{+0.003} / _{+0.000}	4.000 ^{+0.000} / _{-.003}	4.499 ^{+0.000} / _{-.002}	4.500 ^{+0.003} / _{+0.000}	24.62
U25-4.00-SQB	4	4-1/2	1/4	.275 ^{+0.015} / _{+0.000}	4.000 ^{+0.000} / _{-.002}	4.001 ^{+0.003} / _{+0.000}	4.500 ^{+0.003} / _{+0.000}	4.000 ^{+0.000} / _{-.003}	4.499 ^{+0.000} / _{-.002}	4.500 ^{+0.003} / _{+0.000}	24.62
U25-4.00-31B	4	4-1/2	5/16	.344 ^{+0.015} / _{+0.000}	4.000 ^{+0.000} / _{-.002}	4.001 ^{+0.003} / _{+0.000}	4.500 ^{+0.003} / _{+0.000}	4.000 ^{+0.000} / _{-.003}	4.499 ^{+0.000} / _{-.002}	4.500 ^{+0.003} / _{+0.000}	28.74
U25-4.00-37B	4	4-1/2	3/8	.413 ^{+0.015} / _{+0.000}	4.000 ^{+0.000} / _{-.002}	4.001 ^{+0.003} / _{+0.000}	4.500 ^{+0.003} / _{+0.000}	4.000 ^{+0.000} / _{-.003}	4.499 ^{+0.000} / _{-.002}	4.500 ^{+0.003} / _{+0.000}	28.74
U25-4.00-37D	4	4-1/2	3/8	.413 ^{+0.015} / _{+0.000}	4.000 ^{+0.000} / _{-.002}	4.001 ^{+0.003} / _{+0.000}	4.500 ^{+0.003} / _{+0.000}	4.000 ^{+0.000} / _{-.003}	4.499 ^{+0.000} / _{-.002}	4.500 ^{+0.003} / _{+0.000}	28.74
U25-4.00-50B	4	4-1/2	1/2	.550 ^{+0.015} / _{+0.000}	4.000 ^{+0.000} / _{-.002}	4.001 ^{+0.003} / _{+0.000}	4.500 ^{+0.003} / _{+0.000}	4.000 ^{+0.000} / _{-.003}	4.499 ^{+0.000} / _{-.002}	4.500 ^{+0.003} / _{+0.000}	31.02
U25-4.00-50D	4	4-1/2	1/2	.550 ^{+0.015} / _{+0.000}	4.000 ^{+0.000} / _{-.002}	4.001 ^{+0.003} / _{+0.000}	4.500 ^{+0.003} / _{+0.000}	4.000 ^{+0.000} / _{-.003}	4.499 ^{+0.000} / _{-.002}	4.500 ^{+0.003} / _{+0.000}	28.74
U25-4.00-56B	4	4-1/2	9/16	.619 ^{+0.015} / _{+0.000}	4.000 ^{+0.000} / _{-.002}	4.001 ^{+0.003} / _{+0.000}	4.500 ^{+0.003} / _{+0.000}	4.000 ^{+0.000} / _{-.003}	4.499 ^{+0.000} / _{-.002}	4.500 ^{+0.003} / _{+0.000}	28.74

STYLE 800 POLYURETHANE U-SEALS



U-SEALS

Part Number	A Nom. ID	B Nom. OD	C Nom. Ht	D GROOVE WIDTH	E ROD DIAMETER	F THROAT DIAMETER	G HOUSING DIAMETER	H GROOVE DIAMETER	I PISTON DIAMETER	J BORE DIAMETER	List Price
U25-4.00-56D	4	4-1/2	9/16	.619 ⁺⁰¹⁵ / ₊₀₀₀	4.000 ⁺⁰⁰⁰ / _{-.002}	4.001 ⁺⁰⁰³ / ₊₀₀₀	4.500 ⁺⁰⁰³ / ₊₀₀₀	4.000 ⁺⁰⁰⁰ / _{-.003}	4.499 ⁺⁰⁰⁰ / _{-.002}	4.500 ⁺⁰⁰³ / ₊₀₀₀	45.10
U25-4.00-56F	4	4-1/2	9/16	.619 ⁺⁰¹⁵ / ₊₀₀₀	4.000 ⁺⁰⁰⁰ / _{-.002}	4.001 ⁺⁰⁰³ / ₊₀₀₀	4.500 ⁺⁰⁰³ / ₊₀₀₀	4.000 ⁺⁰⁰⁰ / _{-.003}	4.499 ⁺⁰⁰⁰ / _{-.002}	4.500 ⁺⁰⁰³ / ₊₀₀₀	45.60
U25-4.12-37B	4-1/8	4-5/8	3/8	.413 ⁺⁰¹⁵ / ₊₀₀₀	4.125 ⁺⁰⁰⁰ / _{-.002}	4.126 ⁺⁰⁰³ / ₊₀₀₀	4.625 ⁺⁰⁰³ / ₊₀₀₀	4.125 ⁺⁰⁰⁰ / _{-.003}	4.624 ⁺⁰⁰⁰ / _{-.002}	4.625 ⁺⁰⁰³ / ₊₀₀₀	31.36
U25-4.25	4-1/4	4-3/4	1/4	.275 ⁺⁰¹⁵ / ₊₀₀₀	4.250 ⁺⁰⁰⁰ / _{-.002}	4.251 ⁺⁰⁰³ / ₊₀₀₀	4.750 ⁺⁰⁰³ / ₊₀₀₀	4.250 ⁺⁰⁰⁰ / _{-.003}	4.749 ⁺⁰⁰⁰ / _{-.002}	4.750 ⁺⁰⁰³ / ₊₀₀₀	27.27
U25-4.25-37B	4-1/4	4-3/4	3/8	.413 ⁺⁰¹⁵ / ₊₀₀₀	4.250 ⁺⁰⁰⁰ / _{-.002}	4.251 ⁺⁰⁰³ / ₊₀₀₀	4.750 ⁺⁰⁰³ / ₊₀₀₀	4.250 ⁺⁰⁰⁰ / _{-.003}	4.749 ⁺⁰⁰⁰ / _{-.002}	4.750 ⁺⁰⁰³ / ₊₀₀₀	34.39
U25-4.25-56B	4-1/4	4-3/4	9/16	.619 ⁺⁰¹⁵ / ₊₀₀₀	4.250 ⁺⁰⁰⁰ / _{-.002}	4.251 ⁺⁰⁰³ / ₊₀₀₀	4.750 ⁺⁰⁰³ / ₊₀₀₀	4.250 ⁺⁰⁰⁰ / _{-.003}	4.749 ⁺⁰⁰⁰ / _{-.002}	4.750 ⁺⁰⁰³ / ₊₀₀₀	34.39
U25-4.37	4-3/8	4-7/8	1/4	.275 ⁺⁰¹⁵ / ₊₀₀₀	4.375 ⁺⁰⁰⁰ / _{-.002}	4.376 ⁺⁰⁰³ / ₊₀₀₀	4.875 ⁺⁰⁰³ / ₊₀₀₀	4.375 ⁺⁰⁰⁰ / _{-.003}	4.874 ⁺⁰⁰⁰ / _{-.002}	4.875 ⁺⁰⁰³ / ₊₀₀₀	21.81
U25-4.37-SQB	4-3/8	4-7/8	1/4	.275 ⁺⁰¹⁵ / ₊₀₀₀	4.375 ⁺⁰⁰⁰ / _{-.002}	4.376 ⁺⁰⁰³ / ₊₀₀₀	4.875 ⁺⁰⁰³ / ₊₀₀₀	4.375 ⁺⁰⁰⁰ / _{-.003}	4.874 ⁺⁰⁰⁰ / _{-.002}	4.875 ⁺⁰⁰³ / ₊₀₀₀	27.94
U25-4.37-56B	4-3/8	4-7/8	9/16	.619 ⁺⁰¹⁵ / ₊₀₀₀	4.375 ⁺⁰⁰⁰ / _{-.002}	4.376 ⁺⁰⁰³ / ₊₀₀₀	4.875 ⁺⁰⁰³ / ₊₀₀₀	4.375 ⁺⁰⁰⁰ / _{-.003}	4.874 ⁺⁰⁰⁰ / _{-.002}	4.875 ⁺⁰⁰³ / ₊₀₀₀	33.86
U25-4.50	4-1/2	5	1/4	.275 ⁺⁰¹⁵ / ₊₀₀₀	4.500 ⁺⁰⁰⁰ / _{-.002}	4.501 ⁺⁰⁰³ / ₊₀₀₀	5.000 ⁺⁰⁰³ / ₊₀₀₀	4.500 ⁺⁰⁰⁰ / _{-.003}	4.999 ⁺⁰⁰⁰ / _{-.002}	5.000 ⁺⁰⁰³ / ₊₀₀₀	27.53
U25-4.50-31B	4-1/2	5	5/16	.344 ⁺⁰¹⁵ / ₊₀₀₀	4.500 ⁺⁰⁰⁰ / _{-.002}	4.501 ⁺⁰⁰³ / ₊₀₀₀	5.000 ⁺⁰⁰³ / ₊₀₀₀	4.500 ⁺⁰⁰⁰ / _{-.003}	4.999 ⁺⁰⁰⁰ / _{-.002}	5.000 ⁺⁰⁰³ / ₊₀₀₀	34.07
U25-4.50-37B	4-1/2	5	3/8	.413 ⁺⁰¹⁵ / ₊₀₀₀	4.500 ⁺⁰⁰⁰ / _{-.002}	4.501 ⁺⁰⁰³ / ₊₀₀₀	5.000 ⁺⁰⁰³ / ₊₀₀₀	4.500 ⁺⁰⁰⁰ / _{-.003}	4.999 ⁺⁰⁰⁰ / _{-.002}	5.000 ⁺⁰⁰³ / ₊₀₀₀	34.07
U25-4.50-37D	4-1/2	5	3/8	.413 ⁺⁰¹⁵ / ₊₀₀₀	4.500 ⁺⁰⁰⁰ / _{-.002}	4.501 ⁺⁰⁰³ / ₊₀₀₀	5.000 ⁺⁰⁰³ / ₊₀₀₀	4.500 ⁺⁰⁰⁰ / _{-.003}	4.999 ⁺⁰⁰⁰ / _{-.002}	5.000 ⁺⁰⁰³ / ₊₀₀₀	34.07
U25-4.50-50B	4-1/2	5	1/2	.550 ⁺⁰¹⁵ / ₊₀₀₀	4.500 ⁺⁰⁰⁰ / _{-.002}	4.501 ⁺⁰⁰³ / ₊₀₀₀	5.000 ⁺⁰⁰³ / ₊₀₀₀	4.500 ⁺⁰⁰⁰ / _{-.003}	4.999 ⁺⁰⁰⁰ / _{-.002}	5.000 ⁺⁰⁰³ / ₊₀₀₀	34.07
U25-4.50-50D	4-1/2	5	1/2	.550 ⁺⁰¹⁵ / ₊₀₀₀	4.500 ⁺⁰⁰⁰ / _{-.002}	4.501 ⁺⁰⁰³ / ₊₀₀₀	5.000 ⁺⁰⁰³ / ₊₀₀₀	4.500 ⁺⁰⁰⁰ / _{-.003}	4.999 ⁺⁰⁰⁰ / _{-.002}	5.000 ⁺⁰⁰³ / ₊₀₀₀	34.07
U25-4.50-56B	4-1/2	5	9/16	.619 ⁺⁰¹⁵ / ₊₀₀₀	4.500 ⁺⁰⁰⁰ / _{-.002}	4.501 ⁺⁰⁰³ / ₊₀₀₀	5.000 ⁺⁰⁰³ / ₊₀₀₀	4.500 ⁺⁰⁰⁰ / _{-.003}	4.999 ⁺⁰⁰⁰ / _{-.002}	5.000 ⁺⁰⁰³ / ₊₀₀₀	34.07
U25-4.50-56D	4-1/2	5	9/16	.619 ⁺⁰¹⁵ / ₊₀₀₀	4.500 ⁺⁰⁰⁰ / _{-.002}	4.501 ⁺⁰⁰³ / ₊₀₀₀	5.000 ⁺⁰⁰³ / ₊₀₀₀	4.500 ⁺⁰⁰⁰ / _{-.003}	4.999 ⁺⁰⁰⁰ / _{-.002}	5.000 ⁺⁰⁰³ / ₊₀₀₀	34.07
U25-4.50-62B	4-1/2	5	5/8	.688 ⁺⁰¹⁵ / ₊₀₀₀	4.500 ⁺⁰⁰⁰ / _{-.002}	4.501 ⁺⁰⁰³ / ₊₀₀₀	5.000 ⁺⁰⁰³ / ₊₀₀₀	4.500 ⁺⁰⁰⁰ / _{-.003}	4.999 ⁺⁰⁰⁰ / _{-.002}	5.000 ⁺⁰⁰³ / ₊₀₀₀	40.18
U25-4.62-SQB	4-5/8	5-1/8	1/4	.275 ⁺⁰¹⁵ / ₊₀₀₀	4.625 ⁺⁰⁰⁰ / _{-.002}	4.626 ⁺⁰⁰³ / ₊₀₀₀	5.125 ⁺⁰⁰³ / ₊₀₀₀	4.625 ⁺⁰⁰⁰ / _{-.003}	5.124 ⁺⁰⁰⁰ / _{-.002}	5.125 ⁺⁰⁰³ / ₊₀₀₀	28.17
U25-4.62-56B	4-5/8	5-1/8	9/16	.619 ⁺⁰¹⁵ / ₊₀₀₀	4.625 ⁺⁰⁰⁰ / _{-.002}	4.626 ⁺⁰⁰³ / ₊₀₀₀	5.125 ⁺⁰⁰³ / ₊₀₀₀	4.625 ⁺⁰⁰⁰ / _{-.003}	5.124 ⁺⁰⁰⁰ / _{-.002}	5.125 ⁺⁰⁰³ / ₊₀₀₀	36.24
U25-4.75	4-3/4	5-1/4	1/4	.275 ⁺⁰¹⁵ / ₊₀₀₀	4.750 ⁺⁰⁰⁰ / _{-.002}	4.751 ⁺⁰⁰³ / ₊₀₀₀	5.250 ⁺⁰⁰³ / ₊₀₀₀	4.750 ⁺⁰⁰⁰ / _{-.003}	5.249 ⁺⁰⁰⁰ / _{-.002}	5.250 ⁺⁰⁰³ / ₊₀₀₀	28.91
U25-4.75-37B	4-3/4	5-1/4	3/8	.413 ⁺⁰¹⁵ / ₊₀₀₀	4.750 ⁺⁰⁰⁰ / _{-.002}	4.751 ⁺⁰⁰³ / ₊₀₀₀	5.250 ⁺⁰⁰³ / ₊₀₀₀	4.750 ⁺⁰⁰⁰ / _{-.003}	5.249 ⁺⁰⁰⁰ / _{-.002}	5.250 ⁺⁰⁰³ / ₊₀₀₀	37.41
U25-4.75-56B	4-3/4	5-1/4	9/16	.619 ⁺⁰¹⁵ / ₊₀₀₀	4.750 ⁺⁰⁰⁰ / _{-.002}	4.751 ⁺⁰⁰³ / ₊₀₀₀	5.250 ⁺⁰⁰³ / ₊₀₀₀	4.750 ⁺⁰⁰⁰ / _{-.003}	5.249 ⁺⁰⁰⁰ / _{-.002}	5.250 ⁺⁰⁰³ / ₊₀₀₀	37.41
U25-4.87	4-7/8	5-3/8	1/4	.275 ⁺⁰¹⁵ / ₊₀₀₀	4.875 ⁺⁰⁰⁰ / _{-.002}	4.876 ⁺⁰⁰³ / ₊₀₀₀	5.375 ⁺⁰⁰³ / ₊₀₀₀	4.875 ⁺⁰⁰⁰ / _{-.003}	5.374 ⁺⁰⁰⁰ / _{-.002}	5.375 ⁺⁰⁰³ / ₊₀₀₀	31.08
U25-5.00	5	5-1/2	1/4	.275 ⁺⁰¹⁵ / ₊₀₀₀	5.000 ⁺⁰⁰⁰ / _{-.002}	5.001 ⁺⁰⁰³ / ₊₀₀₀	5.500 ⁺⁰⁰³ / ₊₀₀₀	5.000 ⁺⁰⁰⁰ / _{-.003}	5.499 ⁺⁰⁰⁰ / _{-.002}	5.500 ⁺⁰⁰³ / ₊₀₀₀	30.27
U25-5.00-37B	5	5-1/2	3/8	.413 ⁺⁰¹⁵ / ₊₀₀₀	5.000 ⁺⁰⁰⁰ / _{-.002}	5.001 ⁺⁰⁰³ / ₊₀₀₀	5.500 ⁺⁰⁰³ / ₊₀₀₀	5.000 ⁺⁰⁰⁰ / _{-.003}	5.499 ⁺⁰⁰⁰ / _{-.002}	5.500 ⁺⁰⁰³ / ₊₀₀₀	39.44
U25-5.00-50B	5	5-1/2	1/2	.550 ⁺⁰¹⁵ / ₊₀₀₀	5.000 ⁺⁰⁰⁰ / _{-.002}	5.001 ⁺⁰⁰³ / ₊₀₀₀	5.500 ⁺⁰⁰³ / ₊₀₀₀	5.000 ⁺⁰⁰⁰ / _{-.003}	5.499 ⁺⁰⁰⁰ / _{-.002}	5.500 ⁺⁰⁰³ / ₊₀₀₀	39.44
U25-5.00-50D	5	5-1/2	1/2	.550 ⁺⁰¹⁵ / ₊₀₀₀	5.000 ⁺⁰⁰⁰ / _{-.002}	5.001 ⁺⁰⁰³ / ₊₀₀₀	5.500 ⁺⁰⁰³ / ₊₀₀₀	5.000 ⁺⁰⁰⁰ / _{-.003}	5.499 ⁺⁰⁰⁰ / _{-.002}	5.500 ⁺⁰⁰³ / ₊₀₀₀	39.44
U25-5.00-56B	5	5-1/2	9/16	.619 ⁺⁰¹⁵ / ₊₀₀₀	5.000 ⁺⁰⁰⁰ / _{-.002}	5.001 ⁺⁰⁰³ / ₊₀₀₀	5.500 ⁺⁰⁰³ / ₊₀₀₀	5.000 ⁺⁰⁰⁰ / _{-.003}	5.499 ⁺⁰⁰⁰ / _{-.002}	5.500 ⁺⁰⁰³ / ₊₀₀₀	39.44
U25-5.12	5-1/8	5-5/8	1/4	.275 ⁺⁰¹⁵ / ₊₀₀₀	5.125 ⁺⁰⁰⁰ / _{-.002}	5.126 ⁺⁰⁰³ / ₊₀₀₀	5.625 ⁺⁰⁰³ / ₊₀₀₀	5.125 ⁺⁰⁰⁰ / _{-.003}	5.624 ⁺⁰⁰⁰ / _{-.002}	5.625 ⁺⁰⁰³ / ₊₀₀₀	32.39
U25-5.25	5-1/4	5-3/4	1/4	.275 ⁺⁰¹⁵ / ₊₀₀₀	5.250 ⁺⁰⁰⁰ / _{-.002}	5.251 ⁺⁰⁰³ / ₊₀₀₀	5.750 ⁺⁰⁰³ / ₊₀₀₀	5.250 ⁺⁰⁰⁰ / _{-.003}	5.749 ⁺⁰⁰⁰ / _{-.002}	5.750 ⁺⁰⁰³ / ₊₀₀₀	31.24
U25-5.25-SQB	5-1/4	5-3/4	1/4	.275 ⁺⁰¹⁵ / ₊₀₀₀	5.250 ⁺⁰⁰⁰ / _{-.002}	5.251 ⁺⁰⁰³ / ₊₀₀₀	5.750 ⁺⁰⁰³ / ₊₀₀₀	5.250 ⁺⁰⁰⁰ / _{-.003}	5.749 ⁺⁰⁰⁰ / _{-.002}	5.750 ⁺⁰⁰³ / ₊₀₀₀	29.85
U25-5.25-37B	5-1/4	5-3/4	3/8	.413 ⁺⁰¹⁵ / ₊₀₀₀	5.250 ⁺⁰⁰⁰ / _{-.002}	5.251 ⁺⁰⁰³ / ₊₀₀₀	5.750 ⁺⁰⁰³ / ₊₀₀₀	5.250 ⁺⁰⁰⁰ / _{-.003}	5.749 ⁺⁰⁰⁰ / _{-.002}	5.750 ⁺⁰⁰³ / ₊₀₀₀	44.86

STYLE 800 POLYURETHANE U-SEALS

U-SEALS

Part Number	A Nom. ID	B Nom. OD	C Nom. Ht	D GROOVE WIDTH	E ROD DIAMETER	F THROAT DIAMETER	G HOUSING DIAMETER	H GROOVE DIAMETER	I PISTON DIAMETER	J BORE DIAMETER	List Price
U25-5.25-56B	5-1/4	5-3/4	9/16	.619 ^{+0.015} / _{+0.000}	5.250 ^{+0.000} / _{-.002}	5.251 ^{+0.003} / _{+0.000}	5.750 ^{+0.003} / _{+0.000}	5.250 ^{+0.000} / _{-.003}	5.749 ^{+0.000} / _{-.002}	5.750 ^{+0.003} / _{+0.000}	44.86
U25-5.37	5-3/8	5-7/8	1/4	.275 ^{+0.015} / _{+0.000}	5.375 ^{+0.000} / _{-.002}	5.376 ^{+0.003} / _{+0.000}	5.875 ^{+0.003} / _{+0.000}	5.375 ^{+0.000} / _{-.003}	5.874 ^{+0.000} / _{-.002}	5.875 ^{+0.003} / _{+0.000}	57.59
U25-5.50	5-1/2	6	1/4	.275 ^{+0.015} / _{+0.000}	5.500 ^{+0.000} / _{-.002}	5.501 ^{+0.003} / _{+0.000}	6.000 ^{+0.003} / _{+0.000}	5.500 ^{+0.000} / _{-.003}	5.999 ^{+0.000} / _{-.002}	6.000 ^{+0.003} / _{+0.000}	34.83
U25-5.50-SQB	5-1/2	6	1/4	.275 ^{+0.015} / _{+0.000}	5.500 ^{+0.000} / _{-.002}	5.501 ^{+0.003} / _{+0.000}	6.000 ^{+0.003} / _{+0.000}	5.500 ^{+0.000} / _{-.003}	5.999 ^{+0.000} / _{-.002}	6.000 ^{+0.003} / _{+0.000}	34.83
U25-5.50-37B	5-1/2	6	3/8	.413 ^{+0.015} / _{+0.000}	5.500 ^{+0.000} / _{-.002}	5.501 ^{+0.003} / _{+0.000}	6.000 ^{+0.003} / _{+0.000}	5.500 ^{+0.000} / _{-.003}	5.999 ^{+0.000} / _{-.002}	6.000 ^{+0.003} / _{+0.000}	46.03
U25-5.50-50D	5-1/2	6	1/2	.550 ^{+0.015} / _{+0.000}	5.500 ^{+0.000} / _{-.002}	5.501 ^{+0.003} / _{+0.000}	6.000 ^{+0.003} / _{+0.000}	5.500 ^{+0.000} / _{-.003}	5.999 ^{+0.000} / _{-.002}	6.000 ^{+0.003} / _{+0.000}	48.34
U25-5.50-56B	5-1/2	6	9/16	.619 ^{+0.015} / _{+0.000}	5.500 ^{+0.000} / _{-.002}	5.501 ^{+0.003} / _{+0.000}	6.000 ^{+0.003} / _{+0.000}	5.500 ^{+0.000} / _{-.003}	5.999 ^{+0.000} / _{-.002}	6.000 ^{+0.003} / _{+0.000}	44.69
U25-5.50-56D	5-1/2	6	9/16	.619 ^{+0.015} / _{+0.000}	5.500 ^{+0.000} / _{-.002}	5.501 ^{+0.003} / _{+0.000}	6.000 ^{+0.003} / _{+0.000}	5.500 ^{+0.000} / _{-.003}	5.999 ^{+0.000} / _{-.002}	6.000 ^{+0.003} / _{+0.000}	46.03
U25-5.50-62D	5-1/2	6	5/8	.688 ^{+0.015} / _{+0.000}	5.500 ^{+0.000} / _{-.002}	5.501 ^{+0.003} / _{+0.000}	6.000 ^{+0.003} / _{+0.000}	5.500 ^{+0.000} / _{-.003}	5.999 ^{+0.000} / _{-.002}	6.000 ^{+0.003} / _{+0.000}	46.35
U25-5.62	5-5/8	6-1/8	1/4	.275 ^{+0.015} / _{+0.000}	5.625 ^{+0.000} / _{-.002}	5.626 ^{+0.003} / _{+0.000}	6.125 ^{+0.003} / _{+0.000}	5.625 ^{+0.000} / _{-.003}	6.124 ^{+0.000} / _{-.002}	6.125 ^{+0.003} / _{+0.000}	36.28
U25-5.75	5-3/4	6-1/4	1/4	.275 ^{+0.015} / _{+0.000}	5.750 ^{+0.000} / _{-.002}	5.751 ^{+0.003} / _{+0.000}	6.250 ^{+0.003} / _{+0.000}	5.750 ^{+0.000} / _{-.003}	6.249 ^{+0.000} / _{-.002}	6.250 ^{+0.003} / _{+0.000}	37.04
U25-5.75-37B	5-3/4	6-1/4	3/8	.413 ^{+0.015} / _{+0.000}	5.750 ^{+0.000} / _{-.002}	5.751 ^{+0.003} / _{+0.000}	6.250 ^{+0.003} / _{+0.000}	5.750 ^{+0.000} / _{-.003}	6.249 ^{+0.000} / _{-.002}	6.250 ^{+0.003} / _{+0.000}	50.09
U25-5.75-56B	5-3/4	6-1/4	9/16	.619 ^{+0.015} / _{+0.000}	5.750 ^{+0.000} / _{-.002}	5.751 ^{+0.003} / _{+0.000}	6.250 ^{+0.003} / _{+0.000}	5.750 ^{+0.000} / _{-.003}	6.249 ^{+0.000} / _{-.002}	6.250 ^{+0.003} / _{+0.000}	50.09
U25-6.00	6	6-1/2	1/4	.275 ^{+0.015} / _{+0.000}	6.000 ^{+0.000} / _{-.002}	6.001 ^{+0.003} / _{+0.000}	6.500 ^{+0.003} / _{+0.000}	6.000 ^{+0.000} / _{-.003}	6.499 ^{+0.000} / _{-.002}	6.500 ^{+0.003} / _{+0.000}	37.74
U25-6.00-37B	6	6-1/2	3/8	.413 ^{+0.015} / _{+0.000}	6.000 ^{+0.000} / _{-.002}	6.001 ^{+0.003} / _{+0.000}	6.500 ^{+0.003} / _{+0.000}	6.000 ^{+0.000} / _{-.003}	6.499 ^{+0.000} / _{-.002}	6.500 ^{+0.003} / _{+0.000}	51.53
U25-6.00-37D	6	6-1/2	3/8	.413 ^{+0.015} / _{+0.000}	6.000 ^{+0.000} / _{-.002}	6.001 ^{+0.003} / _{+0.000}	6.500 ^{+0.003} / _{+0.000}	6.000 ^{+0.000} / _{-.003}	6.499 ^{+0.000} / _{-.002}	6.500 ^{+0.003} / _{+0.000}	51.53
U25-6.00-56B	6	6-1/2	9/16	.619 ^{+0.015} / _{+0.000}	6.000 ^{+0.000} / _{-.002}	6.001 ^{+0.003} / _{+0.000}	6.500 ^{+0.003} / _{+0.000}	6.000 ^{+0.000} / _{-.003}	6.499 ^{+0.000} / _{-.002}	6.500 ^{+0.003} / _{+0.000}	46.73
U25-6.00-56D	6	6-1/2	9/16	.619 ^{+0.015} / _{+0.000}	6.000 ^{+0.000} / _{-.002}	6.001 ^{+0.003} / _{+0.000}	6.500 ^{+0.003} / _{+0.000}	6.000 ^{+0.000} / _{-.003}	6.499 ^{+0.000} / _{-.002}	6.500 ^{+0.003} / _{+0.000}	58.01
U25-6.25	6-1/4	6-3/4	1/4	.275 ^{+0.015} / _{+0.000}	6.250 ^{+0.000} / _{-.002}	6.251 ^{+0.003} / _{+0.000}	6.750 ^{+0.003} / _{+0.000}	6.250 ^{+0.000} / _{-.003}	6.749 ^{+0.000} / _{-.002}	6.750 ^{+0.003} / _{+0.000}	37.80
U25-6.25-37B	6-1/4	6-3/4	3/8	.413 ^{+0.015} / _{+0.000}	6.250 ^{+0.000} / _{-.002}	6.251 ^{+0.003} / _{+0.000}	6.750 ^{+0.003} / _{+0.000}	6.250 ^{+0.000} / _{-.003}	6.749 ^{+0.000} / _{-.002}	6.750 ^{+0.003} / _{+0.000}	56.94
U25-6.50	6-1/2	7	1/4	.275 ^{+0.015} / _{+0.000}	6.500 ^{+0.000} / _{-.002}	6.501 ^{+0.003} / _{+0.000}	7.000 ^{+0.003} / _{+0.000}	6.500 ^{+0.000} / _{-.003}	6.999 ^{+0.000} / _{-.002}	7.000 ^{+0.003} / _{+0.000}	39.77
U25-6.50-SQB	6-1/2	7	1/4	.275 ^{+0.015} / _{+0.000}	6.500 ^{+0.000} / _{-.002}	6.501 ^{+0.003} / _{+0.000}	7.000 ^{+0.003} / _{+0.000}	6.500 ^{+0.000} / _{-.003}	6.999 ^{+0.000} / _{-.002}	7.000 ^{+0.003} / _{+0.000}	39.77
U25-6.50-37B	6-1/2	7	3/8	.413 ^{+0.015} / _{+0.000}	6.500 ^{+0.000} / _{-.002}	6.501 ^{+0.003} / _{+0.000}	7.000 ^{+0.003} / _{+0.000}	6.500 ^{+0.000} / _{-.003}	6.999 ^{+0.000} / _{-.002}	7.000 ^{+0.003} / _{+0.000}	55.20
U25-6.50-37D	6-1/2	7	3/8	.413 ^{+0.015} / _{+0.000}	6.500 ^{+0.000} / _{-.002}	6.501 ^{+0.003} / _{+0.000}	7.000 ^{+0.003} / _{+0.000}	6.500 ^{+0.000} / _{-.003}	6.999 ^{+0.000} / _{-.002}	7.000 ^{+0.003} / _{+0.000}	55.20
U25-6.50-56B	6-1/2	7	9/16	.619 ^{+0.015} / _{+0.000}	6.500 ^{+0.000} / _{-.002}	6.501 ^{+0.003} / _{+0.000}	7.000 ^{+0.003} / _{+0.000}	6.500 ^{+0.000} / _{-.003}	6.999 ^{+0.000} / _{-.002}	7.000 ^{+0.003} / _{+0.000}	52.96
U25-6.75	6-3/4	7-1/4	1/4	.275 ^{+0.015} / _{+0.000}	6.750 ^{+0.000} / _{-.002}	6.751 ^{+0.003} / _{+0.000}	7.250 ^{+0.003} / _{+0.000}	6.750 ^{+0.000} / _{-.003}	7.249 ^{+0.000} / _{-.002}	7.250 ^{+0.003} / _{+0.000}	40.61
U25-6.75-37B	6-3/4	7-1/4	3/8	.413 ^{+0.015} / _{+0.000}	6.750 ^{+0.000} / _{-.002}	6.751 ^{+0.003} / _{+0.000}	7.250 ^{+0.003} / _{+0.000}	6.750 ^{+0.000} / _{-.003}	7.249 ^{+0.000} / _{-.002}	7.250 ^{+0.003} / _{+0.000}	55.20
U25-6.75-56B	6-3/4	7-1/4	9/16	.619 ^{+0.015} / _{+0.000}	6.750 ^{+0.000} / _{-.002}	6.751 ^{+0.003} / _{+0.000}	7.250 ^{+0.003} / _{+0.000}	6.750 ^{+0.000} / _{-.003}	7.249 ^{+0.000} / _{-.002}	7.250 ^{+0.003} / _{+0.000}	55.20
U25-6.75-56D	6-3/4	7-1/4	9/16	.619 ^{+0.015} / _{+0.000}	6.750 ^{+0.000} / _{-.002}	6.751 ^{+0.003} / _{+0.000}	7.250 ^{+0.003} / _{+0.000}	6.750 ^{+0.000} / _{-.003}	7.249 ^{+0.000} / _{-.002}	7.250 ^{+0.003} / _{+0.000}	55.20
U25-7.00	7	7-1/2	1/4	.275 ^{+0.015} / _{+0.000}	7.000 ^{+0.000} / _{-.002}	7.001 ^{+0.003} / _{+0.000}	7.500 ^{+0.003} / _{+0.000}	7.000 ^{+0.000} / _{-.003}	7.499 ^{+0.000} / _{-.002}	7.500 ^{+0.003} / _{+0.000}	42.22
U25-7.00-37B	7	7-1/2	3/8	.413 ^{+0.015} / _{+0.000}	7.000 ^{+0.000} / _{-.002}	7.001 ^{+0.003} / _{+0.000}	7.500 ^{+0.003} / _{+0.000}	7.000 ^{+0.000} / _{-.003}	7.499 ^{+0.000} / _{-.002}	7.500 ^{+0.003} / _{+0.000}	50.62
U25-7.00-56B	7	7-1/2	9/16	.619 ^{+0.015} / _{+0.000}	7.000 ^{+0.000} / _{-.002}	7.001 ^{+0.003} / _{+0.000}	7.500 ^{+0.003} / _{+0.000}	7.000 ^{+0.000} / _{-.003}	7.499 ^{+0.000} / _{-.002}	7.500 ^{+0.003} / _{+0.000}	57.37
U25-7.25	7-1/4	7-3/4	1/4	.275 ^{+0.015} / _{+0.000}	7.250 ^{+0.000} / _{-.002}	7.251 ^{+0.003} / _{+0.000}	7.750 ^{+0.003} / _{+0.000}	7.250 ^{+0.000} / _{-.003}	7.749 ^{+0.000} / _{-.002}	7.750 ^{+0.003} / _{+0.000}	42.16

STYLE 800 POLYURETHANE U-SEALS



U-SEALS

Part Number	A Nom. ID	B Nom. OD	C Nom. Ht	D GROOVE WIDTH	E ROD DIAMETER	F THROAT DIAMETER	G HOUSING DIAMETER	H GROOVE DIAMETER	I PISTON DIAMETER	J BORE DIAMETER	List Price
U25-7.50	7-1/2	8	1/4	.275 +.015 +0.000	7.500 +.000 -.002	7.501 +.003 +0.000	8.000 +.003 +0.000	7.500 +.000 -.003	7.999 +.000 -.002	8.000 +.003 +0.000	45.06
U25-7.50-SQB	7-1/2	8	1/4	.275 +.015 +0.000	7.500 +.000 -.002	7.501 +.003 +0.000	8.000 +.003 +0.000	7.500 +.000 -.003	7.999 +.000 -.002	8.000 +.003 +0.000	45.06
U25-7.50-37B	7-1/2	8	3/8	.413 +.010 +0.000	7.500 +.000 -.002	7.501 +.003 +0.000	8.000 +.003 +0.000	7.500 +.000 -.003	7.999 +.000 -.002	8.000 +.003 +0.000	61.95
U25-7.50-56B	7-1/2	8	9/16	.619 +.015 +0.000	7.500 +.000 -.002	7.501 +.003 +0.000	8.000 +.003 +0.000	7.500 +.000 -.003	7.999 +.000 -.002	8.000 +.003 +0.000	64.98
U25-7.75	7-3/4	8-1/4	1/4	.275 +.015 +0.000	7.750 +.000 -.002	7.751 +.003 +0.000	8.250 +.003 +0.000	7.750 +.000 -.003	8.249 +.000 -.002	8.250 +.003 +0.000	44.66
U25-8.00	8	8-1/2	1/4	.275 +.015 +0.000	8.000 +.000 -.002	8.001 +.003 +0.000	8.500 +.003 +0.000	8.000 +.000 -.003	8.499 +.000 -.002	8.500 +.003 +0.000	46.35
U25-8.00-56B	8	8-1/2	9/16	.619 +.015 +0.000	8.000 +.000 -.002	8.001 +.003 +0.000	8.500 +.003 +0.000	8.000 +.000 -.003	8.499 +.000 -.002	8.500 +.003 +0.000	69.40
U25-8.12-56B	8-1/8	8-5/8	9/16	.619 +.015 +0.000	8.125 +.000 -.002	8.126 +.003 +0.000	8.625 +.003 +0.000	8.125 +.000 -.003	8.624 +.000 -.002	8.625 +.003 +0.000	71.12
U25-8.25	8-1/4	8-3/4	1/4	.275 +.015 +0.000	8.250 +.000 -.002	8.251 +.003 +0.000	8.750 +.003 +0.000	8.250 +.000 -.003	8.749 +.000 -.002	8.750 +.003 +0.000	50.45
U25-8.25-56B	8-1/4	8-3/4	9/16	.619 +.015 +0.000	8.250 +.000 -.002	8.251 +.003 +0.000	8.750 +.003 +0.000	8.250 +.000 -.003	8.749 +.000 -.002	8.750 +.003 +0.000	71.67
U25-8.50	8-1/2	9	1/4	.275 +.015 +0.000	8.500 +.000 -.002	8.501 +.003 +0.000	9.000 +.003 +0.000	8.500 +.000 -.003	8.999 +.000 -.002	9.000 +.003 +0.000	54.54
U25-8.50-56B	8-1/2	9	9/16	.619 +.015 +0.000	8.500 +.000 -.002	8.501 +.003 +0.000	9.000 +.003 +0.000	8.500 +.000 -.003	8.999 +.000 -.002	9.000 +.003 +0.000	74.32
U25-9.00	9	9-1/2	1/4	.275 +.015 +0.000	9.000 +.000 -.002	9.001 +.003 +0.000	9.500 +.003 +0.000	9.000 +.000 -.003	9.499 +.000 -.002	9.500 +.003 +0.000	54.87
U25-9.50	9-1/2	10	1/4	.275 +.015 +0.000	9.500 +.000 -.002	9.501 +.003 +0.000	10.000 +.003 +0.000	9.500 +.000 -.003	9.999 +.000 -.002	10.000 +.003 +0.000	55.98
U25-9.50-56B	9-1/2	10	9/16	.619 +.015 +0.000	9.500 +.000 -.002	9.501 +.003 +0.000	10.000 +.003 +0.000	9.500 +.000 -.003	9.999 +.000 -.002	10.000 +.003 +0.000	76.91
U25-9.75	9-3/4	10-1/4	1/4	.275 +.015 +0.000	9.750 +.000 -.002	9.751 +.003 +0.000	10.250 +.003 +0.000	9.750 +.000 -.003	10.249 +.000 -.002	10.250 +.003 +0.000	63.38
U25-10.00	10	10-1/2	1/4	.275 +.015 +0.000	10.000 +.000 -.002	10.001 +.003 +0.000	10.500 +.003 +0.000	10.000 +.000 -.003	10.499 +.000 -.002	10.500 +.003 +0.000	68.56
U25-10.00-56B	10	10-1/2	9/16	.619 +.015 +0.000	10.000 +.000 -.002	10.001 +.003 +0.000	10.500 +.003 +0.000	10.000 +.000 -.003	10.499 +.000 -.002	10.500 +.003 +0.000	110.20
U25-10.25	10-1/4	10-3/4	1/4	.275 +.015 +0.000	10.250 +.000 -.002	10.251 +.003 +0.000	10.750 +.003 +0.000	10.250 +.000 -.003	10.749 +.000 -.002	10.750 +.003 +0.000	87.86
U25-12.50-53B	12-1/2	13	.531	.584 +.010 +0.000	12.500 +.000 -.002	12.501 +.003 +0.000	13.000 +.003 +0.000	12.500 +.000 -.003	12.999 +.000 -.002	13.000 +.003 +0.000	117.23
U25-13.50	13-1/2	14	1/4	.275 +.015 +0.000	13.500 +.000 -.002	13.501 +.003 +0.000	14.000 +.003 +0.000	13.500 +.000 -.003	13.999 +.000 -.002	14.000 +.003 +0.000	59.70
.27" C/S											
U27-1.97-50B	1.97	2.51	1/2	.550 +.015 +0.000	1.970 +.000 -.002	1.971 +.003 +0.000	2.510 +.003 +0.000	1.970 +.000 -.003	2.509 +.000 -.002	2.510 +.003 +0.000	\$37.45
.275" C/S											
U27-2.97-50B	2.97	3.52	1/2	.550 +.015 +0.000	2.970 +.000 -.002	2.971 +.003 +0.000	3.520 +.003 +0.000	2.970 +.000 -.003	3.519 +.000 -.002	3.520 +.003 +0.000	\$40.91
U27-3.97-50B	3.97	4.52	1/2	.550 +.015 +0.000	3.970 +.000 -.002	3.971 +.003 +0.000	4.520 +.003 +0.000	3.970 +.000 -.003	4.519 +.000 -.002	4.520 +.003 +0.000	57.48
9/32" C/S											
U28-1.00	1	1-9/16	9/32	.310 +.015 +0.000	1.000 +.000 -.002	1.001 +.003 +0.000	1.563 +.003 +0.000	1.000 +.000 -.003	1.561 +.000 -.002	1.563 +.003 +0.000	\$10.17
U28-3.18-50B	3-3/16	3-3/4	1/2	.550 +.015 +0.000	3.187 +.000 -.002	3.189 +.003 +0.000	3.750 +.003 +0.000	3.187 +.000 -.003	3.749 +.000 -.002	3.750 +.003 +0.000	29.68
U28-5.43	5-7/16	6	9/32	.310 +.015 +0.000	5.437 +.000 -.002	5.439 +.003 +0.000	6.000 +.003 +0.000	5.437 +.000 -.003	5.999 +.000 -.002	6.000 +.003 +0.000	42.60
U28-5.43-56B	5-7/16	6	9/16	.619 +.015 +0.000	5.437 +.000 -.002	5.439 +.003 +0.000	6.000 +.003 +0.000	5.437 +.000 -.003	5.999 +.000 -.002	6.000 +.003 +0.000	51.26
.285" C/S											
U28-2.20-50B	2.2	2.77	1/2	.550 +.015 +0.000	2.200 +.000 -.002	2.201 +.003 +0.000	2.770 +.003 +0.000	2.200 +.000 -.003	2.769 +.000 -.002	2.770 +.003 +0.000	\$21.51
U28-3.20-50B	3.2	3.77	1/2	.550 +.015 +0.000	3.200 +.000 -.002	3.201 +.003 +0.000	3.770 +.003 +0.000	3.200 +.000 -.003	3.769 +.000 -.002	3.770 +.003 +0.000	29.68

STYLE 800 POLYURETHANE U-SEALS

U-SEALS

Part Number	A Nom. ID	B Nom. OD	C Nom. Ht	D GROOVE WIDTH	E ROD DIAMETER	F THROAT DIAMETER	G HOUSING DIAMETER	H GROOVE DIAMETER	I PISTON DIAMETER	J BORE DIAMETER	List Price
5/16" C/S											
U31-0.25	1/4	7/8	5/16	.344 ^{+0.015} / _{+0.000}	.250 ^{+0.000} / _{-.002}	.252 ^{+0.003} / _{+0.000}	.875 ^{+0.004} / _{+0.000}	.250 ^{+0.000} / _{-.004}	.873 ^{+0.000} / _{-.002}	.875 ^{+0.003} / _{+0.000}	\$9.47
U31-0.37	3/8	1	5/16	.344 ^{+0.015} / _{+0.000}	.375 ^{+0.000} / _{-.002}	.377 ^{+0.003} / _{+0.000}	1.000 ^{+0.004} / _{+0.000}	.375 ^{+0.000} / _{-.004}	.998 ^{+0.000} / _{-.002}	1.000 ^{+0.003} / _{+0.000}	9.88
U31-0.43	7/16	1-1/16	5/16	.344 ^{+0.015} / _{+0.000}	.437 ^{+0.000} / _{-.002}	.440 ^{+0.003} / _{+0.000}	1.063 ^{+0.004} / _{+0.000}	.437 ^{+0.000} / _{-.004}	1.060 ^{+0.000} / _{-.002}	1.063 ^{+0.003} / _{+0.000}	10.04
U31-0.50	1/2	1-1/8	5/16	.344 ^{+0.015} / _{+0.000}	.500 ^{+0.000} / _{-.002}	.502 ^{+0.003} / _{+0.000}	1.125 ^{+0.004} / _{+0.000}	.500 ^{+0.000} / _{-.004}	1.123 ^{+0.000} / _{-.002}	1.125 ^{+0.003} / _{+0.000}	10.40
U31-0.62	5/8	1-1/4	5/16	.344 ^{+0.015} / _{+0.000}	.625 ^{+0.000} / _{-.002}	.627 ^{+0.003} / _{+0.000}	1.250 ^{+0.004} / _{+0.000}	.625 ^{+0.000} / _{-.004}	1.248 ^{+0.000} / _{-.002}	1.250 ^{+0.003} / _{+0.000}	10.35
U31-0.75	3/4	1-3/8	5/16	.344 ^{+0.015} / _{+0.000}	.750 ^{+0.000} / _{-.002}	.752 ^{+0.003} / _{+0.000}	1.375 ^{+0.004} / _{+0.000}	.750 ^{+0.000} / _{-.004}	1.373 ^{+0.000} / _{-.002}	1.375 ^{+0.003} / _{+0.000}	10.87
U31-0.75-50B	3/4	1-3/8	1/2	.550 ^{+0.015} / _{+0.000}	.750 ^{+0.000} / _{-.002}	.752 ^{+0.003} / _{+0.000}	1.375 ^{+0.004} / _{+0.000}	.750 ^{+0.000} / _{-.004}	1.373 ^{+0.000} / _{-.002}	1.375 ^{+0.003} / _{+0.000}	11.28
U31-0.87	7/8	1-1/2	5/16	.344 ^{+0.015} / _{+0.000}	.875 ^{+0.000} / _{-.002}	.877 ^{+0.003} / _{+0.000}	1.500 ^{+0.004} / _{+0.000}	.875 ^{+0.000} / _{-.004}	1.498 ^{+0.000} / _{-.002}	1.500 ^{+0.003} / _{+0.000}	11.05
U31-1.00	1	1-5/8	5/16	.344 ^{+0.015} / _{+0.000}	1.000 ^{+0.000} / _{-.002}	1.002 ^{+0.003} / _{+0.000}	1.625 ^{+0.004} / _{+0.000}	1.000 ^{+0.000} / _{-.004}	1.623 ^{+0.000} / _{-.002}	1.625 ^{+0.003} / _{+0.000}	11.27
U31-1.00-37B	1	1-5/8	3/8	.413 ^{+0.015} / _{+0.000}	1.000 ^{+0.000} / _{-.002}	1.002 ^{+0.003} / _{+0.000}	1.625 ^{+0.004} / _{+0.000}	1.000 ^{+0.000} / _{-.004}	1.623 ^{+0.000} / _{-.002}	1.625 ^{+0.003} / _{+0.000}	13.96
U31-1.00-50B	1	1-5/8	1/2	.550 ^{+0.015} / _{+0.000}	1.000 ^{+0.000} / _{-.002}	1.002 ^{+0.003} / _{+0.000}	1.625 ^{+0.004} / _{+0.000}	1.000 ^{+0.000} / _{-.004}	1.623 ^{+0.000} / _{-.002}	1.625 ^{+0.003} / _{+0.000}	11.68
U31-1.12-SQB	1-1/8	1-3/4	5/16	.344 ^{+0.015} / _{+0.000}	1.125 ^{+0.000} / _{-.002}	1.127 ^{+0.003} / _{+0.000}	1.750 ^{+0.004} / _{+0.000}	1.125 ^{+0.000} / _{-.004}	1.748 ^{+0.000} / _{-.002}	1.750 ^{+0.003} / _{+0.000}	11.37
U31-1.12-37B	1-1/8	1-3/4	3/8	.413 ^{+0.015} / _{+0.000}	1.125 ^{+0.000} / _{-.002}	1.127 ^{+0.003} / _{+0.000}	1.750 ^{+0.004} / _{+0.000}	1.125 ^{+0.000} / _{-.004}	1.748 ^{+0.000} / _{-.002}	1.750 ^{+0.003} / _{+0.000}	11.75
U31-1.18	1-3/16	1-13/16	5/16	.344 ^{+0.015} / _{+0.000}	1.187 ^{+0.000} / _{-.002}	1.190 ^{+0.003} / _{+0.000}	1.813 ^{+0.004} / _{+0.000}	1.187 ^{+0.000} / _{-.004}	1.810 ^{+0.000} / _{-.002}	1.813 ^{+0.003} / _{+0.000}	11.37
U31-1.25	1-1/4	1-7/8	5/16	.344 ^{+0.015} / _{+0.000}	1.250 ^{+0.000} / _{-.002}	1.252 ^{+0.003} / _{+0.000}	1.875 ^{+0.004} / _{+0.000}	1.250 ^{+0.000} / _{-.004}	1.873 ^{+0.000} / _{-.002}	1.875 ^{+0.003} / _{+0.000}	12.97
U31-1.25-SQB	1-1/4	1-7/8	5/16	.344 ^{+0.015} / _{+0.000}	1.250 ^{+0.000} / _{-.002}	1.252 ^{+0.003} / _{+0.000}	1.875 ^{+0.004} / _{+0.000}	1.250 ^{+0.000} / _{-.004}	1.873 ^{+0.000} / _{-.002}	1.875 ^{+0.003} / _{+0.000}	11.92
U31-1.25-37B	1-1/4	1-7/8	3/8	.413 ^{+0.015} / _{+0.000}	1.250 ^{+0.000} / _{-.002}	1.252 ^{+0.003} / _{+0.000}	1.875 ^{+0.004} / _{+0.000}	1.250 ^{+0.000} / _{-.004}	1.873 ^{+0.000} / _{-.002}	1.875 ^{+0.003} / _{+0.000}	12.54
U31-1.25-50B	1-1/4	1-7/8	1/2	.550 ^{+0.015} / _{+0.000}	1.250 ^{+0.000} / _{-.002}	1.252 ^{+0.003} / _{+0.000}	1.875 ^{+0.004} / _{+0.000}	1.250 ^{+0.000} / _{-.004}	1.873 ^{+0.000} / _{-.002}	1.875 ^{+0.003} / _{+0.000}	12.54
U31-1.25-50D	1-1/4	1-7/8	1/2	.550 ^{+0.015} / _{+0.000}	1.250 ^{+0.000} / _{-.002}	1.252 ^{+0.003} / _{+0.000}	1.875 ^{+0.004} / _{+0.000}	1.250 ^{+0.000} / _{-.004}	1.873 ^{+0.000} / _{-.002}	1.875 ^{+0.003} / _{+0.000}	32.43
U31-1.37	1-3/8	2	5/16	.344 ^{+0.015} / _{+0.000}	1.375 ^{+0.000} / _{-.002}	1.377 ^{+0.003} / _{+0.000}	2.000 ^{+0.004} / _{+0.000}	1.375 ^{+0.000} / _{-.004}	1.998 ^{+0.000} / _{-.002}	2.000 ^{+0.003} / _{+0.000}	12.54
U31-1.37-SQB	1-3/8	2	5/16	.344 ^{+0.015} / _{+0.000}	1.375 ^{+0.000} / _{-.002}	1.377 ^{+0.003} / _{+0.000}	2.000 ^{+0.004} / _{+0.000}	1.375 ^{+0.000} / _{-.004}	1.998 ^{+0.000} / _{-.002}	2.000 ^{+0.003} / _{+0.000}	12.54
U31-1.37-37B	1-3/8	2	3/8	.413 ^{+0.015} / _{+0.000}	1.375 ^{+0.000} / _{-.002}	1.377 ^{+0.003} / _{+0.000}	2.000 ^{+0.004} / _{+0.000}	1.375 ^{+0.000} / _{-.004}	1.998 ^{+0.000} / _{-.002}	2.000 ^{+0.003} / _{+0.000}	13.45
U31-1.37-50B	1-3/8	2	1/2	.550 ^{+0.015} / _{+0.000}	1.375 ^{+0.000} / _{-.002}	1.377 ^{+0.003} / _{+0.000}	2.000 ^{+0.004} / _{+0.000}	1.375 ^{+0.000} / _{-.004}	1.998 ^{+0.000} / _{-.002}	2.000 ^{+0.003} / _{+0.000}	13.05
U31-1.37-50D	1-3/8	2	1/2	.550 ^{+0.015} / _{+0.000}	1.375 ^{+0.000} / _{-.002}	1.377 ^{+0.003} / _{+0.000}	2.000 ^{+0.004} / _{+0.000}	1.375 ^{+0.000} / _{-.004}	1.998 ^{+0.000} / _{-.002}	2.000 ^{+0.003} / _{+0.000}	21.91
U31-1.50	1-1/2	2-1/8	5/16	.344 ^{+0.015} / _{+0.000}	1.500 ^{+0.000} / _{-.002}	1.502 ^{+0.003} / _{+0.000}	2.125 ^{+0.004} / _{+0.000}	1.500 ^{+0.000} / _{-.004}	2.123 ^{+0.000} / _{-.002}	2.125 ^{+0.003} / _{+0.000}	12.79
U31-1.50-37B	1-1/2	2-1/8	3/8	.413 ^{+0.015} / _{+0.000}	1.500 ^{+0.000} / _{-.002}	1.502 ^{+0.003} / _{+0.000}	2.125 ^{+0.004} / _{+0.000}	1.500 ^{+0.000} / _{-.004}	2.123 ^{+0.000} / _{-.002}	2.125 ^{+0.003} / _{+0.000}	15.05
U31-1.50-43B	1-1/2	2-1/8	7/16	.482 ^{+0.015} / _{+0.000}	1.500 ^{+0.000} / _{-.002}	1.502 ^{+0.003} / _{+0.000}	2.125 ^{+0.004} / _{+0.000}	1.500 ^{+0.000} / _{-.004}	2.123 ^{+0.000} / _{-.002}	2.125 ^{+0.003} / _{+0.000}	17.43
U31-1.50-50B	1-1/2	2-1/8	1/2	.550 ^{+0.015} / _{+0.000}	1.500 ^{+0.000} / _{-.002}	1.502 ^{+0.003} / _{+0.000}	2.125 ^{+0.004} / _{+0.000}	1.500 ^{+0.000} / _{-.004}	2.123 ^{+0.000} / _{-.002}	2.125 ^{+0.003} / _{+0.000}	15.05
U31-1.62	1-5/8	2-1/4	5/16	.344 ^{+0.015} / _{+0.000}	1.625 ^{+0.000} / _{-.002}	1.627 ^{+0.003} / _{+0.000}	2.250 ^{+0.004} / _{+0.000}	1.625 ^{+0.000} / _{-.004}	2.248 ^{+0.000} / _{-.002}	2.250 ^{+0.003} / _{+0.000}	14.29
U31-1.62-37B	1-5/8	2-1/4	3/8	.413 ^{+0.015} / _{+0.000}	1.625 ^{+0.000} / _{-.002}	1.627 ^{+0.003} / _{+0.000}	2.250 ^{+0.004} / _{+0.000}	1.625 ^{+0.000} / _{-.004}	2.248 ^{+0.000} / _{-.002}	2.250 ^{+0.003} / _{+0.000}	25.57
U31-1.62-50B	1-5/8	2-1/4	1/2	.550 ^{+0.015} / _{+0.000}	1.625 ^{+0.000} / _{-.002}	1.627 ^{+0.003} / _{+0.000}	2.250 ^{+0.004} / _{+0.000}	1.625 ^{+0.000} / _{-.004}	2.248 ^{+0.000} / _{-.002}	2.250 ^{+0.003} / _{+0.000}	15.50
U31-1.68	1-11/16	2-5/16	5/16	.344 ^{+0.015} / _{+0.000}	1.687 ^{+0.000} / _{-.002}	1.690 ^{+0.003} / _{+0.000}	2.313 ^{+0.004} / _{+0.000}	1.687 ^{+0.000} / _{-.004}	2.310 ^{+0.000} / _{-.002}	2.313 ^{+0.003} / _{+0.000}	25.25

STYLE 800 POLYURETHANE U-SEALS



U-SEALS

Part Number	A Nom. ID	B Nom. OD	C Nom. Ht	D GROOVE WIDTH	E ROD DIAMETER	F THROAT DIAMETER	G HOUSING DIAMETER	H GROOVE DIAMETER	I PISTON DIAMETER	J BORE DIAMETER	List Price
U31-1.75	1-3/4	2-3/8	5/16	.344 ⁺⁰¹⁵ / ₊₀₀₀	1.750 ⁺⁰⁰⁰ / _{-.002}	1.752 ⁺⁰⁰³ / ₊₀₀₀	2.375 ⁺⁰⁰⁴ / ₊₀₀₀	1.750 ⁺⁰⁰⁰ / _{-.004}	2.373 ⁺⁰⁰⁰ / _{-.002}	2.375 ⁺⁰⁰³ / ₊₀₀₀	15.05
U31-1.75-37B	1-3/4	2-3/8	3/8	.413 ⁺⁰¹⁵ / ₊₀₀₀	1.750 ⁺⁰⁰⁰ / _{-.002}	1.752 ⁺⁰⁰³ / ₊₀₀₀	2.375 ⁺⁰⁰⁴ / ₊₀₀₀	1.750 ⁺⁰⁰⁰ / _{-.004}	2.373 ⁺⁰⁰⁰ / _{-.002}	2.375 ⁺⁰⁰³ / ₊₀₀₀	16.72
U31-1.75-50B	1-3/4	2-3/8	1/2	.550 ⁺⁰¹⁵ / ₊₀₀₀	1.750 ⁺⁰⁰⁰ / _{-.002}	1.752 ⁺⁰⁰³ / ₊₀₀₀	2.375 ⁺⁰⁰⁴ / ₊₀₀₀	1.750 ⁺⁰⁰⁰ / _{-.004}	2.373 ⁺⁰⁰⁰ / _{-.002}	2.375 ⁺⁰⁰³ / ₊₀₀₀	16.72
U31-1.75-50D	1-3/4	2-3/8	1/2	.550 ⁺⁰¹⁵ / ₊₀₀₀	1.750 ⁺⁰⁰⁰ / _{-.002}	1.752 ⁺⁰⁰³ / ₊₀₀₀	2.375 ⁺⁰⁰⁴ / ₊₀₀₀	1.750 ⁺⁰⁰⁰ / _{-.004}	2.373 ⁺⁰⁰⁰ / _{-.002}	2.375 ⁺⁰⁰³ / ₊₀₀₀	16.72
U31-1.87	1-7/8	2-1/2	5/16	.344 ⁺⁰¹⁵ / ₊₀₀₀	1.875 ⁺⁰⁰⁰ / _{-.002}	1.877 ⁺⁰⁰³ / ₊₀₀₀	2.500 ⁺⁰⁰⁴ / ₊₀₀₀	1.875 ⁺⁰⁰⁰ / _{-.004}	2.498 ⁺⁰⁰⁰ / _{-.002}	2.500 ⁺⁰⁰³ / ₊₀₀₀	15.53
U31-1.87-37B	1-7/8	2-1/2	3/8	.413 ⁺⁰¹⁵ / ₊₀₀₀	1.875 ⁺⁰⁰⁰ / _{-.002}	1.877 ⁺⁰⁰³ / ₊₀₀₀	2.500 ⁺⁰⁰⁴ / ₊₀₀₀	1.875 ⁺⁰⁰⁰ / _{-.004}	2.498 ⁺⁰⁰⁰ / _{-.002}	2.500 ⁺⁰⁰³ / ₊₀₀₀	17.44
U31-1.87-50B	1-7/8	2-1/2	1/2	.550 ⁺⁰¹⁵ / ₊₀₀₀	1.875 ⁺⁰⁰⁰ / _{-.002}	1.877 ⁺⁰⁰³ / ₊₀₀₀	2.500 ⁺⁰⁰⁴ / ₊₀₀₀	1.875 ⁺⁰⁰⁰ / _{-.004}	2.498 ⁺⁰⁰⁰ / _{-.002}	2.500 ⁺⁰⁰³ / ₊₀₀₀	17.44
U31-1.87-50D	1-7/8	2-1/2	1/2	.550 ⁺⁰¹⁵ / ₊₀₀₀	1.875 ⁺⁰⁰⁰ / _{-.002}	1.877 ⁺⁰⁰³ / ₊₀₀₀	2.500 ⁺⁰⁰⁴ / ₊₀₀₀	1.875 ⁺⁰⁰⁰ / _{-.004}	2.498 ⁺⁰⁰⁰ / _{-.002}	2.500 ⁺⁰⁰³ / ₊₀₀₀	17.44
U31-2.00	2	2-5/8	5/16	.344 ⁺⁰¹⁵ / ₊₀₀₀	2.000 ⁺⁰⁰⁰ / _{-.002}	2.002 ⁺⁰⁰³ / ₊₀₀₀	2.625 ⁺⁰⁰⁴ / ₊₀₀₀	2.000 ⁺⁰⁰⁰ / _{-.004}	2.623 ⁺⁰⁰⁰ / _{-.002}	2.625 ⁺⁰⁰³ / ₊₀₀₀	17.00
U31-2.00-37B	2	2-5/8	3/8	.413 ⁺⁰¹⁵ / ₊₀₀₀	2.000 ⁺⁰⁰⁰ / _{-.002}	2.002 ⁺⁰⁰³ / ₊₀₀₀	2.625 ⁺⁰⁰⁴ / ₊₀₀₀	2.000 ⁺⁰⁰⁰ / _{-.004}	2.623 ⁺⁰⁰⁰ / _{-.002}	2.625 ⁺⁰⁰³ / ₊₀₀₀	21.29
U31-2.00-50B	2	2-5/8	1/2	.550 ⁺⁰¹⁵ / ₊₀₀₀	2.000 ⁺⁰⁰⁰ / _{-.002}	2.002 ⁺⁰⁰³ / ₊₀₀₀	2.625 ⁺⁰⁰⁴ / ₊₀₀₀	2.000 ⁺⁰⁰⁰ / _{-.004}	2.623 ⁺⁰⁰⁰ / _{-.002}	2.625 ⁺⁰⁰³ / ₊₀₀₀	17.87
U31-2.12	2-1/8	2-3/4	5/16	.343 ⁺⁰¹⁰ / ₊₀₀₀	2.125 ⁺⁰⁰⁰ / _{-.002}	2.127 ⁺⁰⁰³ / ₊₀₀₀	2.750 ⁺⁰⁰⁴ / ₊₀₀₀	2.125 ⁺⁰⁰⁰ / _{-.004}	2.748 ⁺⁰⁰⁰ / _{-.002}	2.750 ⁺⁰⁰³ / ₊₀₀₀	30.92
U31-2.12-SQB	2-1/8	2-3/4	5/16	.344 ⁺⁰¹⁵ / ₊₀₀₀	2.125 ⁺⁰⁰⁰ / _{-.002}	2.127 ⁺⁰⁰³ / ₊₀₀₀	2.750 ⁺⁰⁰⁴ / ₊₀₀₀	2.125 ⁺⁰⁰⁰ / _{-.004}	2.748 ⁺⁰⁰⁰ / _{-.002}	2.750 ⁺⁰⁰³ / ₊₀₀₀	17.87
U31-2.12-50B	2-1/8	2-3/4	1/2	.550 ⁺⁰¹⁵ / ₊₀₀₀	2.125 ⁺⁰⁰⁰ / _{-.002}	2.127 ⁺⁰⁰³ / ₊₀₀₀	2.750 ⁺⁰⁰⁴ / ₊₀₀₀	2.125 ⁺⁰⁰⁰ / _{-.004}	2.748 ⁺⁰⁰⁰ / _{-.002}	2.750 ⁺⁰⁰³ / ₊₀₀₀	19.45
U31-2.25	2-1/4	2-7/8	5/16	.344 ⁺⁰¹⁵ / ₊₀₀₀	2.250 ⁺⁰⁰⁰ / _{-.002}	2.252 ⁺⁰⁰³ / ₊₀₀₀	2.875 ⁺⁰⁰⁴ / ₊₀₀₀	2.250 ⁺⁰⁰⁰ / _{-.004}	2.873 ⁺⁰⁰⁰ / _{-.002}	2.875 ⁺⁰⁰³ / ₊₀₀₀	17.87
U31-2.25-50B	2-1/4	2-7/8	1/2	.550 ⁺⁰¹⁵ / ₊₀₀₀	2.250 ⁺⁰⁰⁰ / _{-.002}	2.252 ⁺⁰⁰³ / ₊₀₀₀	2.875 ⁺⁰⁰⁴ / ₊₀₀₀	2.250 ⁺⁰⁰⁰ / _{-.004}	2.873 ⁺⁰⁰⁰ / _{-.002}	2.875 ⁺⁰⁰³ / ₊₀₀₀	20.05
U31-2.37	2-3/8	3	5/16	.344 ⁺⁰¹⁵ / ₊₀₀₀	2.375 ⁺⁰⁰⁰ / _{-.002}	2.377 ⁺⁰⁰³ / ₊₀₀₀	3.000 ⁺⁰⁰⁴ / ₊₀₀₀	2.375 ⁺⁰⁰⁰ / _{-.004}	2.998 ⁺⁰⁰⁰ / _{-.002}	3.000 ⁺⁰⁰³ / ₊₀₀₀	18.80
U31-2.37-50B	2-3/8	3	1/2	.550 ⁺⁰¹⁵ / ₊₀₀₀	2.375 ⁺⁰⁰⁰ / _{-.002}	2.377 ⁺⁰⁰³ / ₊₀₀₀	3.000 ⁺⁰⁰⁴ / ₊₀₀₀	2.375 ⁺⁰⁰⁰ / _{-.004}	2.998 ⁺⁰⁰⁰ / _{-.002}	3.000 ⁺⁰⁰³ / ₊₀₀₀	20.50
U31-2.37-50D	2-3/8	3	1/2	.550 ⁺⁰¹⁵ / ₊₀₀₀	2.375 ⁺⁰⁰⁰ / _{-.002}	2.377 ⁺⁰⁰³ / ₊₀₀₀	3.000 ⁺⁰⁰⁴ / ₊₀₀₀	2.375 ⁺⁰⁰⁰ / _{-.004}	2.998 ⁺⁰⁰⁰ / _{-.002}	3.000 ⁺⁰⁰³ / ₊₀₀₀	24.15
U31-2.50	2-1/2	3-1/8	5/16	.344 ⁺⁰¹⁵ / ₊₀₀₀	2.500 ⁺⁰⁰⁰ / _{-.002}	2.502 ⁺⁰⁰³ / ₊₀₀₀	3.125 ⁺⁰⁰⁴ / ₊₀₀₀	2.500 ⁺⁰⁰⁰ / _{-.004}	3.123 ⁺⁰⁰⁰ / _{-.002}	3.125 ⁺⁰⁰³ / ₊₀₀₀	19.58
U31-2.50-37B	2-1/2	3-1/8	3/8	.413 ⁺⁰¹⁵ / ₊₀₀₀	2.500 ⁺⁰⁰⁰ / _{-.002}	2.502 ⁺⁰⁰³ / ₊₀₀₀	3.125 ⁺⁰⁰⁴ / ₊₀₀₀	2.500 ⁺⁰⁰⁰ / _{-.004}	3.123 ⁺⁰⁰⁰ / _{-.002}	3.125 ⁺⁰⁰³ / ₊₀₀₀	26.12
U31-2.50-50B	2-1/2	3-1/8	1/2	.550 ⁺⁰¹⁵ / ₊₀₀₀	2.500 ⁺⁰⁰⁰ / _{-.002}	2.502 ⁺⁰⁰³ / ₊₀₀₀	3.125 ⁺⁰⁰⁴ / ₊₀₀₀	2.500 ⁺⁰⁰⁰ / _{-.004}	3.123 ⁺⁰⁰⁰ / _{-.002}	3.125 ⁺⁰⁰³ / ₊₀₀₀	21.35
U31-2.56	2-9/16	3-3/16	5/16	.344 ⁺⁰¹⁵ / ₊₀₀₀	2.562 ⁺⁰⁰⁰ / _{-.002}	2.565 ⁺⁰⁰³ / ₊₀₀₀	3.188 ⁺⁰⁰⁴ / ₊₀₀₀	2.562 ⁺⁰⁰⁰ / _{-.004}	3.186 ⁺⁰⁰⁰ / _{-.002}	3.188 ⁺⁰⁰³ / ₊₀₀₀	20.05
U31-2.62	2-5/8	3-1/4	5/16	.344 ⁺⁰¹⁵ / ₊₀₀₀	2.625 ⁺⁰⁰⁰ / _{-.002}	2.627 ⁺⁰⁰³ / ₊₀₀₀	3.250 ⁺⁰⁰⁴ / ₊₀₀₀	2.625 ⁺⁰⁰⁰ / _{-.004}	3.248 ⁺⁰⁰⁰ / _{-.002}	3.250 ⁺⁰⁰³ / ₊₀₀₀	21.29
U31-2.62-50B	2-5/8	3-1/4	1/2	.550 ⁺⁰¹⁵ / ₊₀₀₀	2.625 ⁺⁰⁰⁰ / _{-.002}	2.627 ⁺⁰⁰³ / ₊₀₀₀	3.250 ⁺⁰⁰⁴ / ₊₀₀₀	2.625 ⁺⁰⁰⁰ / _{-.004}	3.248 ⁺⁰⁰⁰ / _{-.002}	3.250 ⁺⁰⁰³ / ₊₀₀₀	23.19
U31-2.75	2-3/4	3-3/8	5/16	.344 ⁺⁰¹⁵ / ₊₀₀₀	2.750 ⁺⁰⁰⁰ / _{-.002}	2.752 ⁺⁰⁰³ / ₊₀₀₀	3.375 ⁺⁰⁰⁴ / ₊₀₀₀	2.750 ⁺⁰⁰⁰ / _{-.004}	3.373 ⁺⁰⁰⁰ / _{-.002}	3.375 ⁺⁰⁰³ / ₊₀₀₀	20.94
U31-2.75-50B	2-3/4	3-3/8	1/2	.550 ⁺⁰¹⁵ / ₊₀₀₀	2.750 ⁺⁰⁰⁰ / _{-.002}	2.752 ⁺⁰⁰³ / ₊₀₀₀	3.375 ⁺⁰⁰⁴ / ₊₀₀₀	2.750 ⁺⁰⁰⁰ / _{-.004}	3.373 ⁺⁰⁰⁰ / _{-.002}	3.375 ⁺⁰⁰³ / ₊₀₀₀	23.19
U31-2.87	2-7/8	3-1/2	5/16	.344 ⁺⁰¹⁵ / ₊₀₀₀	2.875 ⁺⁰⁰⁰ / _{-.002}	2.877 ⁺⁰⁰³ / ₊₀₀₀	3.500 ⁺⁰⁰⁴ / ₊₀₀₀	2.875 ⁺⁰⁰⁰ / _{-.004}	3.498 ⁺⁰⁰⁰ / _{-.002}	3.500 ⁺⁰⁰³ / ₊₀₀₀	22.96
U31-2.87-50B	2-7/8	3-1/2	1/2	.550 ⁺⁰¹⁵ / ₊₀₀₀	2.875 ⁺⁰⁰⁰ / _{-.002}	2.877 ⁺⁰⁰³ / ₊₀₀₀	3.500 ⁺⁰⁰⁴ / ₊₀₀₀	2.875 ⁺⁰⁰⁰ / _{-.004}	3.498 ⁺⁰⁰⁰ / _{-.002}	3.500 ⁺⁰⁰³ / ₊₀₀₀	25.03
U31-3.00	3	3-5/8	5/16	.344 ⁺⁰¹⁵ / ₊₀₀₀	3.000 ⁺⁰⁰⁰ / _{-.002}	3.002 ⁺⁰⁰³ / ₊₀₀₀	3.625 ⁺⁰⁰⁴ / ₊₀₀₀	3.000 ⁺⁰⁰⁰ / _{-.004}	3.623 ⁺⁰⁰⁰ / _{-.002}	3.625 ⁺⁰⁰³ / ₊₀₀₀	23.89
U31-3.00-37B	3	3-5/8	3/8	.413 ⁺⁰¹⁵ / ₊₀₀₀	3.000 ⁺⁰⁰⁰ / _{-.002}	3.002 ⁺⁰⁰³ / ₊₀₀₀	3.625 ⁺⁰⁰⁴ / ₊₀₀₀	3.000 ⁺⁰⁰⁰ / _{-.004}	3.623 ⁺⁰⁰⁰ / _{-.002}	3.625 ⁺⁰⁰³ / ₊₀₀₀	26.27
U31-3.00-50B	3	3-5/8	1/2	.550 ⁺⁰¹⁵ / ₊₀₀₀	3.000 ⁺⁰⁰⁰ / _{-.002}	3.002 ⁺⁰⁰³ / ₊₀₀₀	3.625 ⁺⁰⁰⁴ / ₊₀₀₀	3.000 ⁺⁰⁰⁰ / _{-.004}	3.623 ⁺⁰⁰⁰ / _{-.002}	3.625 ⁺⁰⁰³ / ₊₀₀₀	25.09
U31-3.12-SQB	3-1/8	3-3/4	5/16	.344 ⁺⁰¹⁵ / ₊₀₀₀	3.125 ⁺⁰⁰⁰ / _{-.002}	3.127 ⁺⁰⁰³ / ₊₀₀₀	3.750 ⁺⁰⁰⁴ / ₊₀₀₀	3.125 ⁺⁰⁰⁰ / _{-.004}	3.748 ⁺⁰⁰⁰ / _{-.002}	3.750 ⁺⁰⁰³ / ₊₀₀₀	23.66

FORMERLY LISTED REPAIR PARTS ARE AVAILABLE ONLINE AT WWW.HERCULESUS.COM OR BY CONTACTING YOUR REGIONAL HERCULES SALES TEAM.

STYLE 800 POLYURETHANE U-SEALS

U-SEALS

Part Number	A Nom. ID	B Nom. OD	C Nom. Ht	D GROOVE WIDTH	E ROD DIAMETER	F THROAT DIAMETER	G HOUSING DIAMETER	H GROOVE DIAMETER	I PISTON DIAMETER	J BORE DIAMETER	List Price
U31-3.25	3-1/4	3-7/8	5/16	.344 ^{+0.015} / _{+0.000}	3.250 ^{+0.000} / _{-.002}	3.252 ^{+0.003} / _{+0.000}	3.875 ^{+0.004} / _{+0.000}	3.250 ^{+0.000} / _{-.004}	3.873 ^{+0.000} / _{-.002}	3.875 ^{+0.003} / _{+0.000}	25.54
U31-3.25-50B	3-1/4	3-7/8	1/2	.550 ^{+0.015} / _{+0.000}	3.250 ^{+0.000} / _{-.002}	3.252 ^{+0.003} / _{+0.000}	3.875 ^{+0.004} / _{+0.000}	3.250 ^{+0.000} / _{-.004}	3.873 ^{+0.000} / _{-.002}	3.875 ^{+0.003} / _{+0.000}	28.17
U31-3.37	3-3/8	4	5/16	.344 ^{+0.015} / _{+0.000}	3.375 ^{+0.000} / _{-.002}	3.377 ^{+0.003} / _{+0.000}	4.000 ^{+0.004} / _{+0.000}	3.375 ^{+0.000} / _{-.004}	3.998 ^{+0.000} / _{-.002}	4.000 ^{+0.003} / _{+0.000}	25.56
U31-3.37-50B	3-3/8	4	1/2	.550 ^{+0.015} / _{+0.000}	3.375 ^{+0.000} / _{-.002}	3.377 ^{+0.003} / _{+0.000}	4.000 ^{+0.004} / _{+0.000}	3.375 ^{+0.000} / _{-.004}	3.998 ^{+0.000} / _{-.002}	4.000 ^{+0.003} / _{+0.000}	27.88
U31-3.37-62B	3-3/8	4	5/8	.688 ^{+0.015} / _{+0.000}	3.375 ^{+0.000} / _{-.002}	3.377 ^{+0.003} / _{+0.000}	4.000 ^{+0.004} / _{+0.000}	3.375 ^{+0.000} / _{-.004}	3.998 ^{+0.000} / _{-.002}	4.000 ^{+0.003} / _{+0.000}	28.33
U31-3.50	3-1/2	4-1/8	5/16	.344 ^{+0.015} / _{+0.000}	3.500 ^{+0.000} / _{-.002}	3.502 ^{+0.003} / _{+0.000}	4.125 ^{+0.004} / _{+0.000}	3.500 ^{+0.000} / _{-.004}	4.123 ^{+0.000} / _{-.002}	4.125 ^{+0.003} / _{+0.000}	27.64
U31-3.50-50B	3-1/2	4-1/8	1/2	.550 ^{+0.015} / _{+0.000}	3.500 ^{+0.000} / _{-.002}	3.502 ^{+0.003} / _{+0.000}	4.125 ^{+0.004} / _{+0.000}	3.500 ^{+0.000} / _{-.004}	4.123 ^{+0.000} / _{-.002}	4.125 ^{+0.003} / _{+0.000}	30.42
U31-3.50-50D	3-1/2	4-1/8	1/2	.550 ^{+0.015} / _{+0.000}	3.500 ^{+0.000} / _{-.002}	3.502 ^{+0.003} / _{+0.000}	4.125 ^{+0.004} / _{+0.000}	3.500 ^{+0.000} / _{-.004}	4.123 ^{+0.000} / _{-.002}	4.125 ^{+0.003} / _{+0.000}	30.42
U31-3.62	3-5/8	4-1/4	5/16	.344 ^{+0.015} / _{+0.000}	3.625 ^{+0.000} / _{-.002}	3.627 ^{+0.003} / _{+0.000}	4.250 ^{+0.004} / _{+0.000}	3.625 ^{+0.000} / _{-.004}	4.248 ^{+0.000} / _{-.002}	4.250 ^{+0.003} / _{+0.000}	28.20
U31-3.62-50B	3-5/8	4-1/4	1/2	.550 ^{+0.015} / _{+0.000}	3.625 ^{+0.000} / _{-.002}	3.627 ^{+0.003} / _{+0.000}	4.250 ^{+0.004} / _{+0.000}	3.625 ^{+0.000} / _{-.004}	4.248 ^{+0.000} / _{-.002}	4.250 ^{+0.003} / _{+0.000}	31.36
U31-3.75-37B	3-3/4	4-3/8	3/8	.413 ^{+0.015} / _{+0.000}	3.750 ^{+0.000} / _{-.002}	3.752 ^{+0.003} / _{+0.000}	4.375 ^{+0.004} / _{+0.000}	3.750 ^{+0.000} / _{-.004}	4.373 ^{+0.000} / _{-.002}	4.375 ^{+0.003} / _{+0.000}	32.38
U31-3.75-50B	3-3/4	4-3/8	1/2	.550 ^{+0.015} / _{+0.000}	3.750 ^{+0.000} / _{-.002}	3.752 ^{+0.003} / _{+0.000}	4.375 ^{+0.004} / _{+0.000}	3.750 ^{+0.000} / _{-.004}	4.373 ^{+0.000} / _{-.002}	4.375 ^{+0.003} / _{+0.000}	32.38
U31-3.75-62B	3-3/4	4-3/8	5/8	.688 ^{+0.015} / _{+0.000}	3.750 ^{+0.000} / _{-.002}	3.752 ^{+0.003} / _{+0.000}	4.375 ^{+0.004} / _{+0.000}	3.750 ^{+0.000} / _{-.004}	4.373 ^{+0.000} / _{-.002}	4.375 ^{+0.003} / _{+0.000}	33.66
U31-3.87	3-7/8	4-1/2	5/16	.344 ^{+0.015} / _{+0.000}	3.875 ^{+0.000} / _{-.002}	3.877 ^{+0.003} / _{+0.000}	4.500 ^{+0.004} / _{+0.000}	3.875 ^{+0.000} / _{-.004}	4.498 ^{+0.000} / _{-.002}	4.500 ^{+0.003} / _{+0.000}	29.12
U31-3.87-50B	3-7/8	4-1/2	1/2	.550 ^{+0.015} / _{+0.000}	3.875 ^{+0.000} / _{-.002}	3.877 ^{+0.003} / _{+0.000}	4.500 ^{+0.004} / _{+0.000}	3.875 ^{+0.000} / _{-.004}	4.498 ^{+0.000} / _{-.002}	4.500 ^{+0.003} / _{+0.000}	33.66
U31-4.00	4	4-5/8	5/16	.344 ^{+0.015} / _{+0.000}	4.000 ^{+0.000} / _{-.002}	4.002 ^{+0.003} / _{+0.000}	4.625 ^{+0.004} / _{+0.000}	4.000 ^{+0.000} / _{-.004}	4.623 ^{+0.000} / _{-.002}	4.625 ^{+0.003} / _{+0.000}	31.22
U31-4.00-56B	4	4-5/8	9/16	.619 ^{+0.015} / _{+0.000}	4.000 ^{+0.000} / _{-.002}	4.002 ^{+0.003} / _{+0.000}	4.625 ^{+0.004} / _{+0.000}	4.000 ^{+0.000} / _{-.004}	4.623 ^{+0.000} / _{-.002}	4.625 ^{+0.003} / _{+0.000}	32.93
U31-4.12	4-1/8	4-3/4	5/16	.344 ^{+0.015} / _{+0.000}	4.125 ^{+0.000} / _{-.002}	4.127 ^{+0.003} / _{+0.000}	4.750 ^{+0.004} / _{+0.000}	4.125 ^{+0.000} / _{-.004}	4.748 ^{+0.000} / _{-.002}	4.750 ^{+0.003} / _{+0.000}	31.01
U31-4.12-56B	4-1/8	4-3/4	9/16	.619 ^{+0.015} / _{+0.000}	4.125 ^{+0.000} / _{-.002}	4.127 ^{+0.003} / _{+0.000}	4.750 ^{+0.004} / _{+0.000}	4.125 ^{+0.000} / _{-.004}	4.748 ^{+0.000} / _{-.002}	4.750 ^{+0.003} / _{+0.000}	33.66
U31-4.25	4-1/4	4-7/8	5/16	.344 ^{+0.015} / _{+0.000}	4.250 ^{+0.000} / _{-.002}	4.252 ^{+0.003} / _{+0.000}	4.875 ^{+0.004} / _{+0.000}	4.250 ^{+0.000} / _{-.004}	4.873 ^{+0.000} / _{-.002}	4.875 ^{+0.003} / _{+0.000}	60.84
U31-4.25-56B	4-1/4	4-7/8	9/16	.619 ^{+0.015} / _{+0.000}	4.250 ^{+0.000} / _{-.002}	4.252 ^{+0.003} / _{+0.000}	4.875 ^{+0.004} / _{+0.000}	4.250 ^{+0.000} / _{-.004}	4.873 ^{+0.000} / _{-.002}	4.875 ^{+0.003} / _{+0.000}	34.63
U31-4.37	4-3/8	5	5/16	.344 ^{+0.015} / _{+0.000}	4.375 ^{+0.000} / _{-.002}	4.377 ^{+0.003} / _{+0.000}	5.000 ^{+0.004} / _{+0.000}	4.375 ^{+0.000} / _{-.004}	4.998 ^{+0.000} / _{-.002}	5.000 ^{+0.003} / _{+0.000}	32.85
U31-4.37-50B	4-3/8	5	1/2	.550 ^{+0.015} / _{+0.000}	4.375 ^{+0.000} / _{-.002}	4.377 ^{+0.003} / _{+0.000}	5.000 ^{+0.004} / _{+0.000}	4.375 ^{+0.000} / _{-.004}	4.998 ^{+0.000} / _{-.002}	5.000 ^{+0.003} / _{+0.000}	37.27
U31-4.37-56B	4-3/8	5	9/16	.619 ^{+0.015} / _{+0.000}	4.375 ^{+0.000} / _{-.002}	4.377 ^{+0.003} / _{+0.000}	5.000 ^{+0.004} / _{+0.000}	4.375 ^{+0.000} / _{-.004}	4.998 ^{+0.000} / _{-.002}	5.000 ^{+0.003} / _{+0.000}	37.27
U31-4.50	4-1/2	5-1/8	5/16	.344 ^{+0.015} / _{+0.000}	4.500 ^{+0.000} / _{-.002}	4.502 ^{+0.003} / _{+0.000}	5.125 ^{+0.004} / _{+0.000}	4.500 ^{+0.000} / _{-.004}	5.123 ^{+0.000} / _{-.002}	5.125 ^{+0.003} / _{+0.000}	33.66
U31-4.50-50B	4-1/2	5-1/8	1/2	.550 ^{+0.015} / _{+0.000}	4.500 ^{+0.000} / _{-.002}	4.502 ^{+0.003} / _{+0.000}	5.125 ^{+0.004} / _{+0.000}	4.500 ^{+0.000} / _{-.004}	5.123 ^{+0.000} / _{-.002}	5.125 ^{+0.003} / _{+0.000}	38.37
U31-4.50-62B	4-1/2	5-1/8	5/8	.688 ^{+0.015} / _{+0.000}	4.500 ^{+0.000} / _{-.002}	4.502 ^{+0.003} / _{+0.000}	5.125 ^{+0.004} / _{+0.000}	4.500 ^{+0.000} / _{-.004}	5.123 ^{+0.000} / _{-.002}	5.125 ^{+0.003} / _{+0.000}	37.53
U31-4.62-62B	4-5/8	5-1/4	5/8	.688 ^{+0.015} / _{+0.000}	4.625 ^{+0.000} / _{-.002}	4.627 ^{+0.003} / _{+0.000}	5.250 ^{+0.004} / _{+0.000}	4.625 ^{+0.000} / _{-.004}	5.248 ^{+0.000} / _{-.002}	5.250 ^{+0.003} / _{+0.000}	40.29
U31-4.75	4-3/4	5-3/8	5/16	.344 ^{+0.015} / _{+0.000}	4.750 ^{+0.000} / _{-.002}	4.752 ^{+0.003} / _{+0.000}	5.375 ^{+0.004} / _{+0.000}	4.750 ^{+0.000} / _{-.004}	5.373 ^{+0.000} / _{-.002}	5.375 ^{+0.003} / _{+0.000}	35.40
U31-4.75-62B	4-3/4	5-3/8	5/8	.688 ^{+0.015} / _{+0.000}	4.750 ^{+0.000} / _{-.002}	4.752 ^{+0.003} / _{+0.000}	5.375 ^{+0.004} / _{+0.000}	4.750 ^{+0.000} / _{-.004}	5.373 ^{+0.000} / _{-.002}	5.375 ^{+0.003} / _{+0.000}	41.80
U31-5.00	5	5-5/8	5/16	.344 ^{+0.015} / _{+0.000}	5.000 ^{+0.000} / _{-.002}	5.002 ^{+0.003} / _{+0.000}	5.625 ^{+0.004} / _{+0.000}	5.000 ^{+0.000} / _{-.004}	5.623 ^{+0.000} / _{-.002}	5.625 ^{+0.003} / _{+0.000}	37.00
U31-5.00-62B	5	5-5/8	5/8	.688 ^{+0.015} / _{+0.000}	5.000 ^{+0.000} / _{-.002}	5.002 ^{+0.003} / _{+0.000}	5.625 ^{+0.004} / _{+0.000}	5.000 ^{+0.000} / _{-.004}	5.623 ^{+0.000} / _{-.002}	5.625 ^{+0.003} / _{+0.000}	45.01
U31-5.00-62D	5	5-5/8	5/8	.688 ^{+0.015} / _{+0.000}	5.000 ^{+0.000} / _{-.002}	5.002 ^{+0.003} / _{+0.000}	5.625 ^{+0.004} / _{+0.000}	5.000 ^{+0.000} / _{-.004}	5.623 ^{+0.000} / _{-.002}	5.625 ^{+0.003} / _{+0.000}	47.61

STYLE 800 POLYURETHANE U-SEALS



U-SEALS

Part Number	A Nom. ID	B Nom. OD	C Nom. Ht	D GROOVE WIDTH	E ROD DIAMETER	F THROAT DIAMETER	G HOUSING DIAMETER	H GROOVE DIAMETER	I PISTON DIAMETER	J BORE DIAMETER	List Price
U31-5.12	5-1/8	5-3/4	5/16	.344 ^{+0.015} / _{+0.000}	5.125 ^{+0.000} / _{-.002}	5.127 ^{+0.003} / _{+0.000}	5.750 ^{+0.004} / _{+0.000}	5.125 ^{+0.000} / _{-.004}	5.748 ^{+0.000} / _{-.002}	5.750 ^{+0.003} / _{+0.000}	37.53
U31-5.25	5-1/4	5-7/8	5/16	.344 ^{+0.015} / _{+0.000}	5.250 ^{+0.000} / _{-.002}	5.252 ^{+0.003} / _{+0.000}	5.875 ^{+0.004} / _{+0.000}	5.250 ^{+0.000} / _{-.004}	5.873 ^{+0.000} / _{-.002}	5.875 ^{+0.003} / _{+0.000}	38.58
U31-5.25-62B	5-1/4	5-7/8	5/8	.688 ^{+0.015} / _{+0.000}	5.250 ^{+0.000} / _{-.002}	5.252 ^{+0.003} / _{+0.000}	5.875 ^{+0.004} / _{+0.000}	5.250 ^{+0.000} / _{-.004}	5.873 ^{+0.000} / _{-.002}	5.875 ^{+0.003} / _{+0.000}	48.15
U31-5.37	5-3/8	6	5/16	.344 ^{+0.015} / _{+0.000}	5.375 ^{+0.000} / _{-.002}	5.377 ^{+0.003} / _{+0.000}	6.000 ^{+0.004} / _{+0.000}	5.375 ^{+0.000} / _{-.004}	5.998 ^{+0.000} / _{-.002}	6.000 ^{+0.003} / _{+0.000}	39.95
U31-5.37-SQB	5-3/8	6	5/16	.344 ^{+0.015} / _{+0.000}	5.375 ^{+0.000} / _{-.002}	5.377 ^{+0.003} / _{+0.000}	6.000 ^{+0.004} / _{+0.000}	5.375 ^{+0.000} / _{-.004}	5.998 ^{+0.000} / _{-.002}	6.000 ^{+0.003} / _{+0.000}	40.96
U31-5.37-62B	5-3/8	6	5/8	.688 ^{+0.015} / _{+0.000}	5.375 ^{+0.000} / _{-.002}	5.377 ^{+0.003} / _{+0.000}	6.000 ^{+0.004} / _{+0.000}	5.375 ^{+0.000} / _{-.004}	5.998 ^{+0.000} / _{-.002}	6.000 ^{+0.003} / _{+0.000}	47.71
U31-5.50-SQB	5-1/2	6-1/8	5/16	.344 ^{+0.015} / _{+0.000}	5.500 ^{+0.000} / _{-.002}	5.502 ^{+0.003} / _{+0.000}	6.125 ^{+0.004} / _{+0.000}	5.500 ^{+0.000} / _{-.004}	6.123 ^{+0.000} / _{-.002}	6.125 ^{+0.003} / _{+0.000}	40.96
U31-5.50-62B	5-1/2	6-1/8	5/8	.688 ^{+0.015} / _{+0.000}	5.500 ^{+0.000} / _{-.002}	5.502 ^{+0.003} / _{+0.000}	6.125 ^{+0.004} / _{+0.000}	5.500 ^{+0.000} / _{-.004}	6.123 ^{+0.000} / _{-.002}	6.125 ^{+0.003} / _{+0.000}	49.96
U31-5.62	5-5/8	6-1/4	5/16	.344 ^{+0.015} / _{+0.000}	5.625 ^{+0.000} / _{-.002}	5.627 ^{+0.003} / _{+0.000}	6.250 ^{+0.004} / _{+0.000}	5.625 ^{+0.000} / _{-.004}	6.248 ^{+0.000} / _{-.002}	6.250 ^{+0.003} / _{+0.000}	50.82
U31-5.87	5-7/8	6-1/2	5/16	.344 ^{+0.015} / _{+0.000}	5.875 ^{+0.000} / _{-.002}	5.877 ^{+0.003} / _{+0.000}	6.500 ^{+0.004} / _{+0.000}	5.875 ^{+0.000} / _{-.004}	6.498 ^{+0.000} / _{-.002}	6.500 ^{+0.003} / _{+0.000}	42.72
U31-6.00	6	6-5/8	5/16	.344 ^{+0.015} / _{+0.000}	6.000 ^{+0.000} / _{-.002}	6.002 ^{+0.003} / _{+0.000}	6.625 ^{+0.004} / _{+0.000}	6.000 ^{+0.000} / _{-.004}	6.623 ^{+0.000} / _{-.002}	6.625 ^{+0.003} / _{+0.000}	43.47
U31-6.00-62B	6	6-5/8	5/8	.688 ^{+0.015} / _{+0.000}	6.000 ^{+0.000} / _{-.002}	6.002 ^{+0.003} / _{+0.000}	6.625 ^{+0.004} / _{+0.000}	6.000 ^{+0.000} / _{-.004}	6.623 ^{+0.000} / _{-.002}	6.625 ^{+0.003} / _{+0.000}	54.73
U31-6.12	6-1/8	6-3/4	5/16	.344 ^{+0.015} / _{+0.000}	6.125 ^{+0.000} / _{-.002}	6.127 ^{+0.003} / _{+0.000}	6.750 ^{+0.004} / _{+0.000}	6.125 ^{+0.000} / _{-.004}	6.748 ^{+0.000} / _{-.002}	6.750 ^{+0.003} / _{+0.000}	43.63
U31-6.25	6-1/4	6-7/8	5/16	.344 ^{+0.015} / _{+0.000}	6.250 ^{+0.000} / _{-.002}	6.252 ^{+0.003} / _{+0.000}	6.875 ^{+0.004} / _{+0.000}	6.250 ^{+0.000} / _{-.004}	6.873 ^{+0.000} / _{-.002}	6.875 ^{+0.003} / _{+0.000}	45.09
U31-6.37	6-3/8	7	5/16	.344 ^{+0.015} / _{+0.000}	6.375 ^{+0.000} / _{-.002}	6.377 ^{+0.003} / _{+0.000}	7.000 ^{+0.004} / _{+0.000}	6.375 ^{+0.000} / _{-.004}	6.998 ^{+0.000} / _{-.002}	7.000 ^{+0.003} / _{+0.000}	45.09
U31-6.37-62D	6-3/8	7	5/8	.688 ^{+0.015} / _{+0.000}	6.375 ^{+0.000} / _{-.002}	6.377 ^{+0.003} / _{+0.000}	7.000 ^{+0.004} / _{+0.000}	6.375 ^{+0.000} / _{-.004}	6.998 ^{+0.000} / _{-.002}	7.000 ^{+0.003} / _{+0.000}	85.99
U31-6.50	6-1/2	7-1/8	5/16	.344 ^{+0.015} / _{+0.000}	6.500 ^{+0.000} / _{-.002}	6.502 ^{+0.003} / _{+0.000}	7.125 ^{+0.004} / _{+0.000}	6.500 ^{+0.000} / _{-.004}	7.123 ^{+0.000} / _{-.002}	7.125 ^{+0.003} / _{+0.000}	45.93
U31-6.50-62B	6-1/2	7-1/8	5/8	.688 ^{+0.015} / _{+0.000}	6.500 ^{+0.000} / _{-.002}	6.502 ^{+0.003} / _{+0.000}	7.125 ^{+0.004} / _{+0.000}	6.500 ^{+0.000} / _{-.004}	7.123 ^{+0.000} / _{-.002}	7.125 ^{+0.003} / _{+0.000}	60.53
U31-6.62	6-5/8	7-1/4	5/16	.344 ^{+0.015} / _{+0.000}	6.625 ^{+0.000} / _{-.002}	6.627 ^{+0.003} / _{+0.000}	7.250 ^{+0.004} / _{+0.000}	6.625 ^{+0.000} / _{-.004}	7.248 ^{+0.000} / _{-.002}	7.250 ^{+0.003} / _{+0.000}	46.63
U31-6.62-62B	6-5/8	7-1/4	5/8	.688 ^{+0.010} / _{+0.000}	6.625 ^{+0.000} / _{-.002}	6.627 ^{+0.003} / _{+0.000}	7.250 ^{+0.004} / _{+0.000}	6.625 ^{+0.000} / _{-.004}	7.248 ^{+0.000} / _{-.002}	7.250 ^{+0.003} / _{+0.000}	68.19
U31-7.37	7-3/8	8	5/16	.344 ^{+0.015} / _{+0.000}	7.375 ^{+0.000} / _{-.002}	7.377 ^{+0.003} / _{+0.000}	8.000 ^{+0.004} / _{+0.000}	7.375 ^{+0.000} / _{-.004}	7.998 ^{+0.000} / _{-.002}	8.000 ^{+0.003} / _{+0.000}	51.77
U31-7.37N	7-3/8	8	5/16	.344 ^{+0.015} / _{+0.000}	7.375 ^{+0.000} / _{-.002}	7.377 ^{+0.003} / _{+0.000}	8.000 ^{+0.004} / _{+0.000}	7.375 ^{+0.000} / _{-.004}	7.998 ^{+0.000} / _{-.002}	8.000 ^{+0.003} / _{+0.000}	229.49
U31-8.00-62B	8	8-5/8	5/8	.688 ^{+0.015} / _{+0.000}	8.000 ^{+0.000} / _{-.002}	8.002 ^{+0.003} / _{+0.000}	8.625 ^{+0.004} / _{+0.000}	8.000 ^{+0.000} / _{-.004}	8.623 ^{+0.000} / _{-.002}	8.625 ^{+0.003} / _{+0.000}	79.80
11/32" C/S											
U34-9.31	9-5/16	10	11/32	.379 ^{+0.015} / _{+0.000}	9.312 ^{+0.000} / _{-.002}	9.314 ^{+0.003} / _{+0.000}	10.000 ^{+0.004} / _{+0.000}	9.312 ^{+0.000} / _{-.004}	9.998 ^{+0.000} / _{-.002}	10.000 ^{+0.003} / _{+0.000}	\$98.71
3/8" C/S											
U37-0.50	1/2	1-1/4	3/8	.413 ^{+0.015} / _{+0.000}	.500 ^{+0.000} / _{-.002}	.502 ^{+0.004} / _{+0.000}	1.250 ^{+0.005} / _{+0.000}	.500 ^{+0.000} / _{-.005}	1.248 ^{+0.000} / _{-.002}	1.250 ^{+0.004} / _{+0.000}	\$12.79
U37-0.75	3/4	1-1/2	3/8	.413 ^{+0.015} / _{+0.000}	.750 ^{+0.000} / _{-.002}	.751 ^{+0.004} / _{+0.000}	1.500 ^{+0.005} / _{+0.000}	.750 ^{+0.000} / _{-.005}	1.499 ^{+0.000} / _{-.002}	1.500 ^{+0.004} / _{+0.000}	13.56
U37-0.81	13/16	1-9/16	3/8	.413 ^{+0.015} / _{+0.000}	.812 ^{+0.000} / _{-.002}	.814 ^{+0.004} / _{+0.000}	1.563 ^{+0.005} / _{+0.000}	.812 ^{+0.000} / _{-.005}	1.560 ^{+0.000} / _{-.002}	1.563 ^{+0.004} / _{+0.000}	14.29
U37-0.81-SQB	13/16	1-9/16	3/8	.413 ^{+0.015} / _{+0.000}	.812 ^{+0.000} / _{-.002}	.814 ^{+0.004} / _{+0.000}	1.563 ^{+0.005} / _{+0.000}	.812 ^{+0.000} / _{-.005}	1.560 ^{+0.000} / _{-.002}	1.563 ^{+0.004} / _{+0.000}	14.29
U37-0.93	15/16	1-11/16	3/8	.413 ^{+0.015} / _{+0.000}	.937 ^{+0.000} / _{-.002}	.939 ^{+0.004} / _{+0.000}	1.688 ^{+0.005} / _{+0.000}	.937 ^{+0.000} / _{-.005}	1.685 ^{+0.000} / _{-.002}	1.688 ^{+0.004} / _{+0.000}	14.02
U37-1.00	1	1-3/4	3/8	.413 ^{+0.015} / _{+0.000}	1.000 ^{+0.000} / _{-.002}	1.002 ^{+0.004} / _{+0.000}	1.750 ^{+0.005} / _{+0.000}	1.000 ^{+0.000} / _{-.005}	1.748 ^{+0.000} / _{-.002}	1.750 ^{+0.004} / _{+0.000}	14.88
U37-1.00-62D	1	1-3/4	5/8	.688 ^{+0.015} / _{+0.000}	1.000 ^{+0.000} / _{-.002}	1.002 ^{+0.004} / _{+0.000}	1.750 ^{+0.005} / _{+0.000}	1.000 ^{+0.000} / _{-.005}	1.748 ^{+0.000} / _{-.002}	1.750 ^{+0.004} / _{+0.000}	14.88

STYLE 800 POLYURETHANE U-SEALS

U-SEALS

Part Number	A Nom. ID	B Nom. OD	C Nom. Ht	D GROOVE WIDTH	E ROD DIAMETER	F THROAT DIAMETER	G HOUSING DIAMETER	H GROOVE DIAMETER	I PISTON DIAMETER	J BORE DIAMETER	List Price
U37-1.12	1-1/8	1-7/8	3/8	.413 ^{+0.015} / _{+0.000}	1.125 ^{+0.000} / _{-.002}	1.127 ^{+0.004} / _{+0.000}	1.875 ^{+0.005} / _{+0.000}	1.125 ^{+0.000} / _{-.005}	1.873 ^{+0.000} / _{-.002}	1.875 ^{+0.004} / _{+0.000}	15.45
U37-1.25	1-1/4	2	3/8	.413 ^{+0.015} / _{+0.000}	1.250 ^{+0.000} / _{-.002}	1.252 ^{+0.004} / _{+0.000}	2.000 ^{+0.005} / _{+0.000}	1.250 ^{+0.000} / _{-.005}	1.998 ^{+0.000} / _{-.002}	2.000 ^{+0.004} / _{+0.000}	16.16
U37-1.25-62D	1-1/4	2	5/8	.688 ^{+0.015} / _{+0.000}	1.250 ^{+0.000} / _{-.002}	1.252 ^{+0.004} / _{+0.000}	2.000 ^{+0.005} / _{+0.000}	1.250 ^{+0.000} / _{-.005}	1.998 ^{+0.000} / _{-.002}	2.000 ^{+0.004} / _{+0.000}	18.06
U37-1.37	1-3/8	2-1/8	3/8	.413 ^{+0.015} / _{+0.000}	1.375 ^{+0.000} / _{-.002}	1.377 ^{+0.004} / _{+0.000}	2.125 ^{+0.005} / _{+0.000}	1.375 ^{+0.000} / _{-.005}	2.123 ^{+0.000} / _{-.002}	2.125 ^{+0.004} / _{+0.000}	17.16
U37-1.50	1-1/2	2-1/4	3/8	.413 ^{+0.015} / _{+0.000}	1.500 ^{+0.000} / _{-.002}	1.502 ^{+0.004} / _{+0.000}	2.250 ^{+0.005} / _{+0.000}	1.500 ^{+0.000} / _{-.005}	2.248 ^{+0.000} / _{-.002}	2.250 ^{+0.004} / _{+0.000}	17.47
U37-1.50-50B	1-1/2	2-1/4	1/2	.550 ^{+0.015} / _{+0.000}	1.500 ^{+0.000} / _{-.002}	1.502 ^{+0.004} / _{+0.000}	2.250 ^{+0.005} / _{+0.000}	1.500 ^{+0.000} / _{-.005}	2.248 ^{+0.000} / _{-.002}	2.250 ^{+0.004} / _{+0.000}	19.64
U37-1.50-62B	1-1/2	2-1/4	5/8	.688 ^{+0.015} / _{+0.000}	1.500 ^{+0.000} / _{-.002}	1.502 ^{+0.004} / _{+0.000}	2.250 ^{+0.005} / _{+0.000}	1.500 ^{+0.000} / _{-.005}	2.248 ^{+0.000} / _{-.002}	2.250 ^{+0.004} / _{+0.000}	20.90
U37-1.56	1-9/16	2-5/16	3/8	.413 ^{+0.015} / _{+0.000}	1.562 ^{+0.000} / _{-.002}	1.565 ^{+0.004} / _{+0.000}	2.313 ^{+0.005} / _{+0.000}	1.562 ^{+0.000} / _{-.005}	2.310 ^{+0.000} / _{-.002}	2.313 ^{+0.004} / _{+0.000}	18.93
U37-1.62	1-5/8	2-3/8	3/8	.413 ^{+0.015} / _{+0.000}	1.625 ^{+0.000} / _{-.002}	1.627 ^{+0.004} / _{+0.000}	2.375 ^{+0.005} / _{+0.000}	1.625 ^{+0.000} / _{-.005}	2.373 ^{+0.000} / _{-.002}	2.375 ^{+0.004} / _{+0.000}	16.13
U37-1.62-SQB	1-5/8	2-3/8	3/8	.413 ^{+0.015} / _{+0.000}	1.625 ^{+0.000} / _{-.002}	1.627 ^{+0.004} / _{+0.000}	2.375 ^{+0.005} / _{+0.000}	1.625 ^{+0.000} / _{-.005}	2.373 ^{+0.000} / _{-.002}	2.375 ^{+0.004} / _{+0.000}	19.58
U37-1.62-62B	1-5/8	2-3/8	5/8	.688 ^{+0.015} / _{+0.000}	1.625 ^{+0.000} / _{-.002}	1.627 ^{+0.004} / _{+0.000}	2.375 ^{+0.005} / _{+0.000}	1.625 ^{+0.000} / _{-.005}	2.373 ^{+0.000} / _{-.002}	2.375 ^{+0.004} / _{+0.000}	20.34
U37-1.75	1-3/4	2-1/2	3/8	.413 ^{+0.015} / _{+0.000}	1.750 ^{+0.000} / _{-.002}	1.752 ^{+0.004} / _{+0.000}	2.500 ^{+0.005} / _{+0.000}	1.750 ^{+0.000} / _{-.005}	2.498 ^{+0.000} / _{-.002}	2.500 ^{+0.004} / _{+0.000}	19.93
U37-1.75-62B	1-3/4	2-1/2	5/8	.688 ^{+0.015} / _{+0.000}	1.750 ^{+0.000} / _{-.002}	1.752 ^{+0.004} / _{+0.000}	2.500 ^{+0.005} / _{+0.000}	1.750 ^{+0.000} / _{-.005}	2.498 ^{+0.000} / _{-.002}	2.500 ^{+0.004} / _{+0.000}	22.68
U37-2.00	2	2-3/4	3/8	.413 ^{+0.015} / _{+0.000}	2.000 ^{+0.000} / _{-.002}	2.002 ^{+0.004} / _{+0.000}	2.750 ^{+0.005} / _{+0.000}	2.000 ^{+0.000} / _{-.005}	2.748 ^{+0.000} / _{-.002}	2.750 ^{+0.004} / _{+0.000}	22.92
U37-2.00-SQB	2	2-3/4	3/8	.413 ^{+0.015} / _{+0.000}	2.000 ^{+0.000} / _{-.002}	2.002 ^{+0.004} / _{+0.000}	2.750 ^{+0.005} / _{+0.000}	2.000 ^{+0.000} / _{-.005}	2.748 ^{+0.000} / _{-.002}	2.750 ^{+0.004} / _{+0.000}	22.92
U37-2.00-50B	2	2-3/4	1/2	.550 ^{+0.015} / _{+0.000}	2.000 ^{+0.000} / _{-.002}	2.002 ^{+0.004} / _{+0.000}	2.750 ^{+0.005} / _{+0.000}	2.000 ^{+0.000} / _{-.005}	2.748 ^{+0.000} / _{-.002}	2.750 ^{+0.004} / _{+0.000}	25.26
U37-2.00-62B	2	2-3/4	5/8	.688 ^{+0.015} / _{+0.000}	2.000 ^{+0.000} / _{-.002}	2.002 ^{+0.004} / _{+0.000}	2.750 ^{+0.005} / _{+0.000}	2.000 ^{+0.000} / _{-.005}	2.748 ^{+0.000} / _{-.002}	2.750 ^{+0.004} / _{+0.000}	25.26
U37-2.12	2-1/8	2-7/8	3/8	.413 ^{+0.015} / _{+0.000}	2.125 ^{+0.000} / _{-.002}	2.127 ^{+0.004} / _{+0.000}	2.875 ^{+0.005} / _{+0.000}	2.125 ^{+0.000} / _{-.005}	2.873 ^{+0.000} / _{-.002}	2.875 ^{+0.004} / _{+0.000}	23.36
U37-2.25	2-1/4	3	3/8	.413 ^{+0.015} / _{+0.000}	2.250 ^{+0.000} / _{-.002}	2.252 ^{+0.004} / _{+0.000}	3.000 ^{+0.005} / _{+0.000}	2.250 ^{+0.000} / _{-.005}	2.998 ^{+0.000} / _{-.002}	3.000 ^{+0.004} / _{+0.000}	27.64
U37-2.25-SQB	2-1/4	3	3/8	.413 ^{+0.015} / _{+0.000}	2.250 ^{+0.000} / _{-.002}	2.252 ^{+0.004} / _{+0.000}	3.000 ^{+0.005} / _{+0.000}	2.250 ^{+0.000} / _{-.005}	2.998 ^{+0.000} / _{-.002}	3.000 ^{+0.004} / _{+0.000}	25.70
U37-2.25-50B	2-1/4	3	1/2	.550 ^{+0.015} / _{+0.000}	2.250 ^{+0.000} / _{-.002}	2.252 ^{+0.004} / _{+0.000}	3.000 ^{+0.005} / _{+0.000}	2.250 ^{+0.000} / _{-.005}	2.998 ^{+0.000} / _{-.002}	3.000 ^{+0.004} / _{+0.000}	28.47
U37-2.25-62B	2-1/4	3	5/8	.688 ^{+0.015} / _{+0.000}	2.250 ^{+0.000} / _{-.002}	2.252 ^{+0.004} / _{+0.000}	3.000 ^{+0.005} / _{+0.000}	2.250 ^{+0.000} / _{-.005}	2.998 ^{+0.000} / _{-.002}	3.000 ^{+0.004} / _{+0.000}	28.17
U37-2.37	2-3/8	3-1/8	3/8	.413 ^{+0.015} / _{+0.000}	2.375 ^{+0.000} / _{-.002}	2.377 ^{+0.004} / _{+0.000}	3.125 ^{+0.005} / _{+0.000}	2.375 ^{+0.000} / _{-.005}	3.123 ^{+0.000} / _{-.002}	3.125 ^{+0.004} / _{+0.000}	26.07
U37-2.50	2-1/2	3-1/4	3/8	.413 ^{+0.015} / _{+0.000}	2.500 ^{+0.000} / _{-.002}	2.502 ^{+0.004} / _{+0.000}	3.250 ^{+0.005} / _{+0.000}	2.500 ^{+0.000} / _{-.005}	3.248 ^{+0.000} / _{-.002}	3.250 ^{+0.004} / _{+0.000}	27.87
U37-2.50-SQB	2-1/2	3-1/4	3/8	.413 ^{+0.015} / _{+0.000}	2.500 ^{+0.000} / _{-.002}	2.502 ^{+0.004} / _{+0.000}	3.250 ^{+0.005} / _{+0.000}	2.500 ^{+0.000} / _{-.005}	3.248 ^{+0.000} / _{-.002}	3.250 ^{+0.004} / _{+0.000}	27.87
U37-2.50-50B	2-1/2	3-1/4	1/2	.550 ^{+0.015} / _{+0.000}	2.500 ^{+0.000} / _{-.002}	2.502 ^{+0.004} / _{+0.000}	3.250 ^{+0.005} / _{+0.000}	2.500 ^{+0.000} / _{-.005}	3.248 ^{+0.000} / _{-.002}	3.250 ^{+0.004} / _{+0.000}	29.65
U37-2.50-62B	2-1/2	3-1/4	5/8	.688 ^{+0.015} / _{+0.000}	2.500 ^{+0.000} / _{-.002}	2.502 ^{+0.004} / _{+0.000}	3.250 ^{+0.005} / _{+0.000}	2.500 ^{+0.000} / _{-.005}	3.248 ^{+0.000} / _{-.002}	3.250 ^{+0.004} / _{+0.000}	29.65
U37-2.50-62D	2-1/2	3-1/4	5/8	.688 ^{+0.015} / _{+0.000}	2.500 ^{+0.000} / _{-.002}	2.502 ^{+0.004} / _{+0.000}	3.250 ^{+0.005} / _{+0.000}	2.500 ^{+0.000} / _{-.005}	3.248 ^{+0.000} / _{-.002}	3.250 ^{+0.004} / _{+0.000}	29.65
U37-2.62	2-5/8	3-3/8	3/8	.413 ^{+0.015} / _{+0.000}	2.625 ^{+0.000} / _{-.002}	2.627 ^{+0.004} / _{+0.000}	3.375 ^{+0.005} / _{+0.000}	2.625 ^{+0.000} / _{-.005}	3.373 ^{+0.000} / _{-.002}	3.375 ^{+0.004} / _{+0.000}	28.01
U37-2.62-62B	2-5/8	3-3/8	5/8	.688 ^{+0.015} / _{+0.000}	2.625 ^{+0.000} / _{-.002}	2.627 ^{+0.004} / _{+0.000}	3.375 ^{+0.005} / _{+0.000}	2.625 ^{+0.000} / _{-.005}	3.373 ^{+0.000} / _{-.002}	3.375 ^{+0.004} / _{+0.000}	31.99
U37-2.75	2-3/4	3-1/2	3/8	.413 ^{+0.015} / _{+0.000}	2.750 ^{+0.000} / _{-.002}	2.752 ^{+0.004} / _{+0.000}	3.500 ^{+0.005} / _{+0.000}	2.750 ^{+0.000} / _{-.005}	3.498 ^{+0.000} / _{-.002}	3.500 ^{+0.004} / _{+0.000}	29.30
U37-2.75-50B	2-3/4	3-1/2	1/2	.550 ^{+0.015} / _{+0.000}	2.750 ^{+0.000} / _{-.002}	2.752 ^{+0.004} / _{+0.000}	3.500 ^{+0.005} / _{+0.000}	2.750 ^{+0.000} / _{-.005}	3.498 ^{+0.000} / _{-.002}	3.500 ^{+0.004} / _{+0.000}	33.85
U37-2.75-50D	2-3/4	3-1/2	1/2	.550 ^{+0.015} / _{+0.000}	2.750 ^{+0.000} / _{-.002}	2.752 ^{+0.004} / _{+0.000}	3.500 ^{+0.005} / _{+0.000}	2.750 ^{+0.000} / _{-.005}	3.498 ^{+0.000} / _{-.002}	3.500 ^{+0.004} / _{+0.000}	33.85

STYLE 800 POLYURETHANE U-SEALS



U-SEALS

Part Number	A Nom. ID	B Nom. OD	C Nom. Ht	D GROOVE WIDTH	E ROD DIAMETER	F THROAT DIAMETER	G HOUSING DIAMETER	H GROOVE DIAMETER	I PISTON DIAMETER	J BORE DIAMETER	List Price
U37-2.75-62B	2-3/4	3-1/2	5/8	.688 ⁺⁰¹⁵ / ₊₀₀₀	2.750 ⁺⁰⁰⁰ / _{-.002}	2.752 ⁺⁰⁰⁴ / ₊₀₀₀	3.500 ⁺⁰⁰⁵ / ₊₀₀₀	2.750 ⁺⁰⁰⁰ / _{-.005}	3.498 ⁺⁰⁰⁰ / _{-.002}	3.500 ⁺⁰⁰⁴ / ₊₀₀₀	33.85
U37-2.75-62D	2-3/4	3-1/2	5/8	.688 ⁺⁰¹⁵ / ₊₀₀₀	2.750 ⁺⁰⁰⁰ / _{-.002}	2.752 ⁺⁰⁰⁴ / ₊₀₀₀	3.500 ⁺⁰⁰⁵ / ₊₀₀₀	2.750 ⁺⁰⁰⁰ / _{-.005}	3.498 ⁺⁰⁰⁰ / _{-.002}	3.500 ⁺⁰⁰⁴ / ₊₀₀₀	40.98
U37-2.81	2-13/16	3-9/16	3/8	.413 ⁺⁰¹⁵ / ₊₀₀₀	2.812 ⁺⁰⁰⁰ / _{-.002}	2.814 ⁺⁰⁰⁴ / ₊₀₀₀	3.563 ⁺⁰⁰⁵ / ₊₀₀₀	2.812 ⁺⁰⁰⁰ / _{-.005}	3.560 ⁺⁰⁰⁰ / _{-.002}	3.563 ⁺⁰⁰⁴ / ₊₀₀₀	36.24
U37-2.93	2-15/16	3-11/16	3/8	.413 ⁺⁰¹⁵ / ₊₀₀₀	2.937 ⁺⁰⁰⁰ / _{-.002}	2.939 ⁺⁰⁰⁴ / ₊₀₀₀	3.688 ⁺⁰⁰⁵ / ₊₀₀₀	2.937 ⁺⁰⁰⁰ / _{-.005}	3.685 ⁺⁰⁰⁰ / _{-.002}	3.688 ⁺⁰⁰⁴ / ₊₀₀₀	36.24
U37-3.00	3	3-3/4	3/8	.413 ⁺⁰¹⁵ / ₊₀₀₀	3.000 ⁺⁰⁰⁰ / _{-.002}	3.002 ⁺⁰⁰⁴ / ₊₀₀₀	3.750 ⁺⁰⁰⁵ / ₊₀₀₀	3.000 ⁺⁰⁰⁰ / _{-.005}	3.748 ⁺⁰⁰⁰ / _{-.002}	3.750 ⁺⁰⁰⁴ / ₊₀₀₀	35.77
U37-3.00-50B	3	3-3/4	1/2	.550 ⁺⁰¹⁵ / ₊₀₀₀	3.000 ⁺⁰⁰⁰ / _{-.002}	3.002 ⁺⁰⁰⁴ / ₊₀₀₀	3.750 ⁺⁰⁰⁵ / ₊₀₀₀	3.000 ⁺⁰⁰⁰ / _{-.005}	3.748 ⁺⁰⁰⁰ / _{-.002}	3.750 ⁺⁰⁰⁴ / ₊₀₀₀	36.84
U37-3.00-62B	3	3-3/4	5/8	.688 ⁺⁰¹⁵ / ₊₀₀₀	3.000 ⁺⁰⁰⁰ / _{-.002}	3.002 ⁺⁰⁰⁴ / ₊₀₀₀	3.750 ⁺⁰⁰⁵ / ₊₀₀₀	3.000 ⁺⁰⁰⁰ / _{-.005}	3.748 ⁺⁰⁰⁰ / _{-.002}	3.750 ⁺⁰⁰⁴ / ₊₀₀₀	35.20
U37-3.12-SQB	3-1/8	3-7/8	3/8	.413 ⁺⁰¹⁵ / ₊₀₀₀	3.125 ⁺⁰⁰⁰ / _{-.002}	3.127 ⁺⁰⁰⁴ / ₊₀₀₀	3.875 ⁺⁰⁰⁵ / ₊₀₀₀	3.125 ⁺⁰⁰⁰ / _{-.005}	3.873 ⁺⁰⁰⁰ / _{-.002}	3.875 ⁺⁰⁰⁴ / ₊₀₀₀	34.60
U37-3.25	3-1/4	4	3/8	.413 ⁺⁰¹⁵ / ₊₀₀₀	3.250 ⁺⁰⁰⁰ / _{-.002}	3.252 ⁺⁰⁰⁴ / ₊₀₀₀	4.000 ⁺⁰⁰⁵ / ₊₀₀₀	3.250 ⁺⁰⁰⁰ / _{-.005}	3.998 ⁺⁰⁰⁰ / _{-.002}	4.000 ⁺⁰⁰⁴ / ₊₀₀₀	36.76
U37-3.25-50B	3-1/4	4	1/2	.550 ⁺⁰¹⁵ / ₊₀₀₀	3.250 ⁺⁰⁰⁰ / _{-.002}	3.252 ⁺⁰⁰⁴ / ₊₀₀₀	4.000 ⁺⁰⁰⁵ / ₊₀₀₀	3.250 ⁺⁰⁰⁰ / _{-.005}	3.998 ⁺⁰⁰⁰ / _{-.002}	4.000 ⁺⁰⁰⁴ / ₊₀₀₀	37.41
U37-3.25-62B	3-1/4	4	5/8	.688 ⁺⁰¹⁵ / ₊₀₀₀	3.250 ⁺⁰⁰⁰ / _{-.002}	3.252 ⁺⁰⁰⁴ / ₊₀₀₀	4.000 ⁺⁰⁰⁵ / ₊₀₀₀	3.250 ⁺⁰⁰⁰ / _{-.005}	3.998 ⁺⁰⁰⁰ / _{-.002}	4.000 ⁺⁰⁰⁴ / ₊₀₀₀	37.41
U37-3.37	3-3/8	4-1/8	3/8	.413 ⁺⁰¹⁵ / ₊₀₀₀	3.375 ⁺⁰⁰⁰ / _{-.002}	3.377 ⁺⁰⁰⁴ / ₊₀₀₀	4.125 ⁺⁰⁰⁵ / ₊₀₀₀	3.375 ⁺⁰⁰⁰ / _{-.005}	4.123 ⁺⁰⁰⁰ / _{-.002}	4.125 ⁺⁰⁰⁴ / ₊₀₀₀	36.84
U37-3.37-62B	3-3/8	4-1/8	5/8	.688 ⁺⁰¹⁵ / ₊₀₀₀	3.375 ⁺⁰⁰⁰ / _{-.002}	3.377 ⁺⁰⁰⁴ / ₊₀₀₀	4.125 ⁺⁰⁰⁵ / ₊₀₀₀	3.375 ⁺⁰⁰⁰ / _{-.005}	4.123 ⁺⁰⁰⁰ / _{-.002}	4.125 ⁺⁰⁰⁴ / ₊₀₀₀	38.27
U37-3.50	3-1/2	4-1/4	3/8	.413 ⁺⁰¹⁵ / ₊₀₀₀	3.500 ⁺⁰⁰⁰ / _{-.002}	3.502 ⁺⁰⁰⁴ / ₊₀₀₀	4.250 ⁺⁰⁰⁵ / ₊₀₀₀	3.500 ⁺⁰⁰⁰ / _{-.005}	4.248 ⁺⁰⁰⁰ / _{-.002}	4.250 ⁺⁰⁰⁴ / ₊₀₀₀	37.45
U37-3.50-50D	3-1/2	4-1/4	1/2	.550 ⁺⁰¹⁵ / ₊₀₀₀	3.500 ⁺⁰⁰⁰ / _{-.002}	3.502 ⁺⁰⁰⁴ / ₊₀₀₀	4.250 ⁺⁰⁰⁵ / ₊₀₀₀	3.500 ⁺⁰⁰⁰ / _{-.005}	4.248 ⁺⁰⁰⁰ / _{-.002}	4.250 ⁺⁰⁰⁴ / ₊₀₀₀	41.86
U37-3.50-62B	3-1/2	4-1/4	5/8	.688 ⁺⁰¹⁵ / ₊₀₀₀	3.500 ⁺⁰⁰⁰ / _{-.002}	3.502 ⁺⁰⁰⁴ / ₊₀₀₀	4.250 ⁺⁰⁰⁵ / ₊₀₀₀	3.500 ⁺⁰⁰⁰ / _{-.005}	4.248 ⁺⁰⁰⁰ / _{-.002}	4.250 ⁺⁰⁰⁴ / ₊₀₀₀	40.04
U37-3.62	3-5/8	4-3/8	3/8	.413 ⁺⁰¹⁵ / ₊₀₀₀	3.625 ⁺⁰⁰⁰ / _{-.002}	3.627 ⁺⁰⁰⁴ / ₊₀₀₀	4.375 ⁺⁰⁰⁵ / ₊₀₀₀	3.625 ⁺⁰⁰⁰ / _{-.005}	4.373 ⁺⁰⁰⁰ / _{-.002}	4.375 ⁺⁰⁰⁴ / ₊₀₀₀	37.45
U37-3.62-50B	3-5/8	4-3/8	1/2	.550 ⁺⁰¹⁵ / ₊₀₀₀	3.625 ⁺⁰⁰⁰ / _{-.002}	3.627 ⁺⁰⁰⁴ / ₊₀₀₀	4.375 ⁺⁰⁰⁵ / ₊₀₀₀	3.625 ⁺⁰⁰⁰ / _{-.005}	4.373 ⁺⁰⁰⁰ / _{-.002}	4.375 ⁺⁰⁰⁴ / ₊₀₀₀	43.26
U37-3.62-62B	3-5/8	4-3/8	5/8	.688 ⁺⁰¹⁵ / ₊₀₀₀	3.625 ⁺⁰⁰⁰ / _{-.002}	3.627 ⁺⁰⁰⁴ / ₊₀₀₀	4.375 ⁺⁰⁰⁵ / ₊₀₀₀	3.625 ⁺⁰⁰⁰ / _{-.005}	4.373 ⁺⁰⁰⁰ / _{-.002}	4.375 ⁺⁰⁰⁴ / ₊₀₀₀	41.46
U37-3.75	3-3/4	4-1/2	3/8	.413 ⁺⁰¹⁵ / ₊₀₀₀	3.750 ⁺⁰⁰⁰ / _{-.002}	3.752 ⁺⁰⁰⁴ / ₊₀₀₀	4.500 ⁺⁰⁰⁵ / ₊₀₀₀	3.750 ⁺⁰⁰⁰ / _{-.005}	4.498 ⁺⁰⁰⁰ / _{-.002}	4.500 ⁺⁰⁰⁴ / ₊₀₀₀	38.27
U37-3.75-50D	3-3/4	4-1/2	1/2	.550 ⁺⁰¹⁵ / ₊₀₀₀	3.750 ⁺⁰⁰⁰ / _{-.002}	3.752 ⁺⁰⁰⁴ / ₊₀₀₀	4.500 ⁺⁰⁰⁵ / ₊₀₀₀	3.750 ⁺⁰⁰⁰ / _{-.005}	4.498 ⁺⁰⁰⁰ / _{-.002}	4.500 ⁺⁰⁰⁴ / ₊₀₀₀	42.56
U37-3.75-62B	3-3/4	4-1/2	5/8	.688 ⁺⁰¹⁵ / ₊₀₀₀	3.750 ⁺⁰⁰⁰ / _{-.002}	3.752 ⁺⁰⁰⁴ / ₊₀₀₀	4.500 ⁺⁰⁰⁵ / ₊₀₀₀	3.750 ⁺⁰⁰⁰ / _{-.005}	4.498 ⁺⁰⁰⁰ / _{-.002}	4.500 ⁺⁰⁰⁴ / ₊₀₀₀	42.56
U37-3.87	3-7/8	4-5/8	3/8	.413 ⁺⁰¹⁵ / ₊₀₀₀	3.875 ⁺⁰⁰⁰ / _{-.002}	3.877 ⁺⁰⁰⁴ / ₊₀₀₀	4.625 ⁺⁰⁰⁵ / ₊₀₀₀	3.875 ⁺⁰⁰⁰ / _{-.005}	4.623 ⁺⁰⁰⁰ / _{-.002}	4.625 ⁺⁰⁰⁴ / ₊₀₀₀	39.57
U37-4.00	4	4-3/4	3/8	.413 ⁺⁰¹⁵ / ₊₀₀₀	4.000 ⁺⁰⁰⁰ / _{-.002}	4.002 ⁺⁰⁰⁴ / ₊₀₀₀	4.750 ⁺⁰⁰⁵ / ₊₀₀₀	4.000 ⁺⁰⁰⁰ / _{-.005}	4.748 ⁺⁰⁰⁰ / _{-.002}	4.750 ⁺⁰⁰⁴ / ₊₀₀₀	50.95
U37-4.00-50D	4	4-3/4	1/2	.550 ⁺⁰¹⁵ / ₊₀₀₀	4.000 ⁺⁰⁰⁰ / _{-.002}	4.002 ⁺⁰⁰⁴ / ₊₀₀₀	4.750 ⁺⁰⁰⁵ / ₊₀₀₀	4.000 ⁺⁰⁰⁰ / _{-.005}	4.748 ⁺⁰⁰⁰ / _{-.002}	4.750 ⁺⁰⁰⁴ / ₊₀₀₀	42.86
U37-4.00-62B	4	4-3/4	5/8	.688 ⁺⁰¹⁵ / ₊₀₀₀	4.000 ⁺⁰⁰⁰ / _{-.002}	4.002 ⁺⁰⁰⁴ / ₊₀₀₀	4.750 ⁺⁰⁰⁵ / ₊₀₀₀	4.000 ⁺⁰⁰⁰ / _{-.005}	4.748 ⁺⁰⁰⁰ / _{-.002}	4.750 ⁺⁰⁰⁴ / ₊₀₀₀	45.17
U37-4.00-62D	4	4-3/4	5/8	.688 ⁺⁰¹⁵ / ₊₀₀₀	4.000 ⁺⁰⁰⁰ / _{-.002}	4.002 ⁺⁰⁰⁴ / ₊₀₀₀	4.750 ⁺⁰⁰⁵ / ₊₀₀₀	4.000 ⁺⁰⁰⁰ / _{-.005}	4.748 ⁺⁰⁰⁰ / _{-.002}	4.750 ⁺⁰⁰⁴ / ₊₀₀₀	55.83
U37-4.12	4-1/8	4-7/8	3/8	.413 ⁺⁰¹⁵ / ₊₀₀₀	4.125 ⁺⁰⁰⁰ / _{-.002}	4.127 ⁺⁰⁰⁴ / ₊₀₀₀	4.875 ⁺⁰⁰⁵ / ₊₀₀₀	4.125 ⁺⁰⁰⁰ / _{-.005}	4.873 ⁺⁰⁰⁰ / _{-.002}	4.875 ⁺⁰⁰⁴ / ₊₀₀₀	41.95
U37-4.25	4-1/4	5	3/8	.413 ⁺⁰¹⁵ / ₊₀₀₀	4.250 ⁺⁰⁰⁰ / _{-.002}	4.252 ⁺⁰⁰⁴ / ₊₀₀₀	5.000 ⁺⁰⁰⁵ / ₊₀₀₀	4.250 ⁺⁰⁰⁰ / _{-.005}	4.998 ⁺⁰⁰⁰ / _{-.002}	5.000 ⁺⁰⁰⁴ / ₊₀₀₀	43.19
U37-4.25-SQB	4-1/4	5	3/8	.413 ⁺⁰¹⁵ / ₊₀₀₀	4.250 ⁺⁰⁰⁰ / _{-.002}	4.252 ⁺⁰⁰⁴ / ₊₀₀₀	5.000 ⁺⁰⁰⁵ / ₊₀₀₀	4.250 ⁺⁰⁰⁰ / _{-.005}	4.998 ⁺⁰⁰⁰ / _{-.002}	5.000 ⁺⁰⁰⁴ / ₊₀₀₀	43.19
U37-4.25-50B	4-1/4	5	1/2	.550 ⁺⁰¹⁵ / ₊₀₀₀	4.250 ⁺⁰⁰⁰ / _{-.002}	4.252 ⁺⁰⁰⁴ / ₊₀₀₀	5.000 ⁺⁰⁰⁵ / ₊₀₀₀	4.250 ⁺⁰⁰⁰ / _{-.005}	4.998 ⁺⁰⁰⁰ / _{-.002}	5.000 ⁺⁰⁰⁴ / ₊₀₀₀	55.51
U37-4.25-50D	4-1/4	5	1/2	.550 ⁺⁰¹⁵ / ₊₀₀₀	4.250 ⁺⁰⁰⁰ / _{-.002}	4.252 ⁺⁰⁰⁴ / ₊₀₀₀	5.000 ⁺⁰⁰⁵ / ₊₀₀₀	4.250 ⁺⁰⁰⁰ / _{-.005}	4.998 ⁺⁰⁰⁰ / _{-.002}	5.000 ⁺⁰⁰⁴ / ₊₀₀₀	47.31
U37-4.25-62B	4-1/4	5	5/8	.688 ⁺⁰¹⁵ / ₊₀₀₀	4.250 ⁺⁰⁰⁰ / _{-.002}	4.252 ⁺⁰⁰⁴ / ₊₀₀₀	5.000 ⁺⁰⁰⁵ / ₊₀₀₀	4.250 ⁺⁰⁰⁰ / _{-.005}	4.998 ⁺⁰⁰⁰ / _{-.002}	5.000 ⁺⁰⁰⁴ / ₊₀₀₀	47.31



STYLE 800 POLYURETHANE U-SEALS

U-SEALS

Part Number	A Nom. ID	B Nom. OD	C Nom. Ht	D GROOVE WIDTH	E ROD DIAMETER	F THROAT DIAMETER	G HOUSING DIAMETER	H GROOVE DIAMETER	I PISTON DIAMETER	J BORE DIAMETER	List Price
U37-4.25-62D	4-1/4	5	5/8	.688 +.015 +0.000	4.250 +.000 -.002	4.252 +.004 +0.000	5.000 +.005 +0.000	4.250 +.000 -.005	4.998 +.000 -.002	5.000 +.004 +0.000	47.31
U37-4.37	4-3/8	5-1/8	3/8	.413 +.015 +0.000	4.375 +.000 -.002	4.377 +.004 +0.000	5.125 +.005 +0.000	4.375 +.000 -.005	5.123 +.000 -.002	5.125 +.004 +0.000	44.19
U37-4.37-62B	4-3/8	5-1/8	5/8	.688 +.015 +0.000	4.375 +.000 -.002	4.377 +.004 +0.000	5.125 +.005 +0.000	4.375 +.000 -.005	5.123 +.000 -.002	5.125 +.004 +0.000	48.44
U37-4.50	4-1/2	5-1/4	3/8	.413 +.015 +0.000	4.500 +.000 -.002	4.502 +.004 +0.000	5.250 +.005 +0.000	4.500 +.000 -.005	5.248 +.000 -.002	5.250 +.004 +0.000	50.95
U37-4.50-SQB	4-1/2	5-1/4	3/8	.413 +.015 +0.000	4.500 +.000 -.002	4.502 +.004 +0.000	5.250 +.005 +0.000	4.500 +.000 -.005	5.248 +.000 -.002	5.250 +.004 +0.000	47.55
U37-4.50-62B	4-1/2	5-1/4	5/8	.688 +.015 +0.000	4.500 +.000 -.002	4.502 +.004 +0.000	5.250 +.005 +0.000	4.500 +.000 -.005	5.248 +.000 -.002	5.250 +.004 +0.000	49.68
U37-4.62	4-5/8	5-3/8	3/8	.413 +.015 +0.000	4.625 +.000 -.002	4.627 +.004 +0.000	5.375 +.005 +0.000	4.625 +.000 -.005	5.373 +.000 -.002	5.375 +.004 +0.000	47.91
U37-4.62-62B	4-5/8	5-3/8	5/8	.688 +.015 +0.000	4.625 +.000 -.002	4.627 +.004 +0.000	5.375 +.005 +0.000	4.625 +.000 -.005	5.373 +.000 -.002	5.375 +.004 +0.000	50.51
U37-4.75	4-3/4	5-1/2	3/8	.413 +.010 +0.000	4.750 +.000 -.002	4.752 +.004 +0.000	5.500 +.005 +0.000	4.750 +.000 -.005	5.498 +.000 -.002	5.500 +.005 +0.000	47.12
U37-4.75-SQB	4-3/4	5-1/2	3/8	.413 +.015 +0.000	4.750 +.000 -.002	4.752 +.004 +0.000	5.500 +.005 +0.000	4.750 +.000 -.005	5.498 +.000 -.002	5.500 +.004 +0.000	49.89
U37-4.75-50B	4-3/4	5-1/2	1/2	.550 +.015 +0.000	4.750 +.000 -.002	4.752 +.004 +0.000	5.500 +.005 +0.000	4.750 +.000 -.005	5.498 +.000 -.002	5.500 +.004 +0.000	51.92
U37-4.75-62B	4-3/4	5-1/2	5/8	.688 +.015 +0.000	4.750 +.000 -.002	4.752 +.004 +0.000	5.500 +.005 +0.000	4.750 +.000 -.005	5.498 +.000 -.002	5.500 +.004 +0.000	51.92
U37-4.87-62B	4-7/8	5-5/8	5/8	.688 +.015 +0.000	4.875 +.000 -.002	4.877 +.004 +0.000	5.625 +.005 +0.000	4.875 +.000 -.005	5.623 +.000 -.002	5.625 +.004 +0.000	52.25
U37-5.00-SQB	5	5-3/4	3/8	.413 +.015 +0.000	5.000 +.000 -.002	5.002 +.004 +0.000	5.750 +.005 +0.000	5.000 +.000 -.005	5.748 +.000 -.002	5.750 +.004 +0.000	51.45
U37-5.00-50B	5	5-3/4	1/2	.550 +.100 +0.000	5.000 +.002 +0.000	5.002 +.004 +0.000	5.750 +.005 +0.000	5.000 +.000 -.005	5.748 +.000 -.002	5.750 +.004 +0.000	44.30
U37-5.00-62B	5	5-3/4	5/8	.688 +.015 +0.000	5.000 +.000 -.002	5.002 +.004 +0.000	5.750 +.005 +0.000	5.000 +.000 -.005	5.748 +.000 -.002	5.750 +.004 +0.000	54.38
U37-5.25	5-1/4	6	3/8	.413 +.015 +0.000	5.250 +.000 -.002	5.252 +.004 +0.000	6.000 +.005 +0.000	5.250 +.000 -.005	5.998 +.000 -.002	6.000 +.004 +0.000	53.03
U37-5.25-SQB	5-1/4	6	3/8	.413 +.015 +0.000	5.250 +.000 -.002	5.252 +.004 +0.000	6.000 +.005 +0.000	5.250 +.000 -.005	5.998 +.000 -.002	6.000 +.004 +0.000	53.03
U37-5.25-50B	5-1/4	6	1/2	.550 +.015 +0.000	5.250 +.000 -.002	5.252 +.004 +0.000	6.000 +.005 +0.000	5.250 +.000 -.005	5.998 +.000 -.002	6.000 +.004 +0.000	56.67
U37-5.25-50D	5-1/4	6	1/2	.550 +.015 +0.000	5.250 +.000 -.002	5.252 +.004 +0.000	6.000 +.005 +0.000	5.250 +.000 -.005	5.998 +.000 -.002	6.000 +.004 +0.000	56.67
U37-5.25-62B	5-1/4	6	5/8	.688 +.015 +0.000	5.250 +.000 -.002	5.252 +.004 +0.000	6.000 +.005 +0.000	5.250 +.000 -.005	5.998 +.000 -.002	6.000 +.004 +0.000	56.67
U37-5.25-62D	5-1/4	6	5/8	.688 +.015 +0.000	5.250 +.000 -.002	5.252 +.004 +0.000	6.000 +.005 +0.000	5.250 +.000 -.005	5.998 +.000 -.002	6.000 +.004 +0.000	56.67
U37-5.37-62B	5-3/8	6-1/8	5/8	.688 +.015 +0.000	5.375 +.000 -.002	5.377 +.004 +0.000	6.125 +.005 +0.000	5.375 +.000 -.005	6.123 +.000 -.002	6.125 +.004 +0.000	54.56
U37-5.50	5-1/2	6-1/4	3/8	.413 +.015 +0.000	5.500 +.000 -.002	5.502 +.004 +0.000	6.250 +.005 +0.000	5.500 +.000 -.005	6.248 +.000 -.002	6.250 +.004 +0.000	139.80
U37-5.50-SQB	5-1/2	6-1/4	3/8	.413 +.015 +0.000	5.500 +.000 -.002	5.502 +.004 +0.000	6.250 +.005 +0.000	5.500 +.000 -.005	6.248 +.000 -.002	6.250 +.004 +0.000	55.05
U37-5.50-50B	5-1/2	6-1/4	1/2	.550 +.010 +0.000	5.500 +.000 -.002	5.502 +.004 +0.000	6.250 +.005 +0.000	5.500 +.000 -.005	6.248 +.000 -.002	6.250 +.004 +0.000	52.25
U37-5.50-62B	5-1/2	6-1/4	5/8	.688 +.015 +0.000	5.500 +.000 -.002	5.502 +.004 +0.000	6.250 +.005 +0.000	5.500 +.000 -.005	6.248 +.000 -.002	6.250 +.004 +0.000	58.89
U37-5.75	5-3/4	6-1/2	3/8	.413 +.015 +0.000	5.750 +.000 -.002	5.752 +.004 +0.000	6.500 +.005 +0.000	5.750 +.000 -.005	6.498 +.000 -.002	6.500 +.004 +0.000	57.22
U37-5.75-62B	5-3/4	6-1/2	5/8	.688 +.015 +0.000	5.750 +.000 -.002	5.752 +.004 +0.000	6.500 +.005 +0.000	5.750 +.000 -.005	6.498 +.000 -.002	6.500 +.004 +0.000	63.74
U37-5.87-62B	5-7/8	6-5/8	5/8	.688 +.015 +0.000	5.875 +.000 -.002	5.877 +.004 +0.000	6.625 +.005 +0.000	5.875 +.000 -.005	6.623 +.000 -.002	6.625 +.004 +0.000	63.74
U37-6.00-SQB	6	6-3/4	3/8	.413 +.015 +0.000	6.000 +.000 -.002	6.002 +.004 +0.000	6.750 +.005 +0.000	6.000 +.000 -.005	6.748 +.000 -.002	6.750 +.004 +0.000	62.10
U37-6.00-62B	6	6-3/4	5/8	.688 +.015 +0.000	6.000 +.000 -.002	6.002 +.004 +0.000	6.750 +.005 +0.000	6.000 +.000 -.005	6.748 +.000 -.002	6.750 +.004 +0.000	63.00
U37-6.25	6-1/4	7	3/8	.413 +.015 +0.000	6.250 +.000 -.002	6.252 +.004 +0.000	7.000 +.005 +0.000	6.250 +.000 -.005	6.998 +.000 -.002	7.000 +.004 +0.000	63.88

STYLE 800 POLYURETHANE U-SEALS



U-SEALS

Part Number	A Nom. ID	B Nom. OD	C Nom. Ht	D GROOVE WIDTH	E ROD DIAMETER	F THROAT DIAMETER	G HOUSING DIAMETER	H GROOVE DIAMETER	I PISTON DIAMETER	J BORE DIAMETER	List Price
U37-6.25-50D	6-1/4	7	1/2	.550 +.015 +.000	6.250 +.000 -.002	6.252 +.004 +.000	7.000 +.005 +.000	6.250 +.000 -.005	6.998 +.000 -.002	7.000 +.004 +.000	64.58
U37-6.25-62B	6-1/4	7	5/8	.688 +.015 +.000	6.250 +.000 -.002	6.252 +.004 +.000	7.000 +.005 +.000	6.250 +.000 -.005	6.998 +.000 -.002	7.000 +.004 +.000	64.58
U37-6.37	6-3/8	7-1/8	3/8	.413 +.015 +.000	6.375 +.000 -.002	6.377 +.004 +.000	7.125 +.005 +.000	6.375 +.000 -.005	7.123 +.000 -.002	7.125 +.004 +.000	63.88
U37-6.50	6-1/2	7-1/4	3/8	.413 +.015 +.000	6.500 +.000 -.002	6.502 +.004 +.000	7.250 +.005 +.000	6.500 +.000 -.005	7.248 +.000 -.002	7.250 +.004 +.000	65.31
U37-6.50-50B	6-1/2	7-1/4	1/2	.550 +.015 +.000	6.500 +.000 -.002	6.502 +.004 +.000	7.250 +.005 +.000	6.500 +.000 -.005	7.248 +.000 -.002	7.250 +.004 +.000	66.81
U37-6.50-62B	6-1/2	7-1/4	5/8	.688 +.015 +.000	6.500 +.000 -.002	6.502 +.004 +.000	7.250 +.005 +.000	6.500 +.000 -.005	7.248 +.000 -.002	7.250 +.004 +.000	66.81
U37-6.75-62B	6-3/4	7-1/2	5/8	.688 +.015 +.000	6.750 +.000 -.002	6.752 +.004 +.000	7.500 +.005 +.000	6.750 +.000 -.005	7.498 +.000 -.002	7.500 +.004 +.000	71.00
U37-7.00	7	7-3/4	3/8	.413 +.015 +.000	7.000 +.000 -.002	7.002 +.004 +.000	7.750 +.005 +.000	7.000 +.000 -.005	7.748 +.000 -.002	7.750 +.004 +.000	68.25
U37-7.00-50B	7	7-3/4	1/2	.550 +.015 +.000	7.000 +.000 -.002	7.002 +.004 +.000	7.750 +.005 +.000	7.000 +.000 -.005	7.748 +.000 -.002	7.750 +.004 +.000	71.46
U37-7.00-62B	7	7-3/4	5/8	.688 +.015 +.000	7.000 +.000 -.002	7.002 +.004 +.000	7.750 +.005 +.000	7.000 +.000 -.005	7.748 +.000 -.002	7.750 +.004 +.000	71.46
U37-7.25	7-1/4	8	3/8	.413 +.015 +.000	7.250 +.000 -.002	7.252 +.004 +.000	8.000 +.005 +.000	7.250 +.000 -.005	7.998 +.000 -.002	8.000 +.004 +.000	70.22
U37-7.25-SQB	7-1/4	8	3/8	.413 +.015 +.000	7.250 +.000 -.002	7.252 +.004 +.000	8.000 +.005 +.000	7.250 +.000 -.005	7.998 +.000 -.002	8.000 +.004 +.000	70.22
U37-7.25-50D	7-1/4	8	1/2	.550 +.015 +.000	7.250 +.000 -.002	7.252 +.004 +.000	8.000 +.005 +.000	7.250 +.000 -.005	7.998 +.000 -.002	8.000 +.004 +.000	89.51
U37-7.25-62B	7-1/4	8	5/8	.688 +.015 +.000	7.250 +.000 -.002	7.252 +.004 +.000	8.000 +.005 +.000	7.250 +.000 -.005	7.998 +.000 -.002	8.000 +.004 +.000	77.98
U37-7.50-50B	7-1/2	8-1/4	1/2	.550 +.015 +.000	7.500 +.000 -.002	7.502 +.004 +.000	8.250 +.005 +.000	7.500 +.000 -.005	8.248 +.000 -.002	8.250 +.004 +.000	102.35
U37-7.75	7-3/4	8-1/2	3/8	.413 +.015 +.000	7.750 +.000 -.002	7.752 +.004 +.000	8.500 +.005 +.000	7.750 +.000 -.005	8.498 +.000 -.002	8.500 +.004 +.000	94.91
U37-7.75-62B	7-3/4	8-1/2	5/8	.688 +.015 +.000	7.750 +.000 -.002	7.752 +.004 +.000	8.500 +.005 +.000	7.750 +.000 -.005	8.498 +.000 -.002	8.500 +.004 +.000	81.90
U37-8.00-50D	8	8-3/4	1/2	.550 +.015 +.000	8.000 +.000 -.002	8.002 +.004 +.000	8.750 +.005 +.000	8.000 +.000 -.005	8.748 +.000 -.002	8.750 +.004 +.000	84.27
U37-8.00-62B	8	8-3/4	5/8	.688 +.015 +.000	8.000 +.000 -.002	8.002 +.004 +.000	8.750 +.005 +.000	8.000 +.000 -.005	8.748 +.000 -.002	8.750 +.004 +.000	84.27
U37-8.25	8-1/4	9	3/8	.413 +.015 +.000	8.250 +.000 -.002	8.252 +.004 +.000	9.000 +.005 +.000	8.250 +.000 -.005	8.998 +.000 -.002	9.000 +.004 +.000	79.24
U37-8.25-62B	8-1/4	9	5/8	.688 +.015 +.000	8.250 +.000 -.002	8.252 +.004 +.000	9.000 +.005 +.000	8.250 +.000 -.005	8.998 +.000 -.002	9.000 +.004 +.000	86.80
U37-8.75-62D	8-3/4	9-1/2	5/8	.688 +.015 +.000	8.750 +.000 -.002	8.752 +.004 +.000	9.500 +.005 +.000	8.750 +.000 -.005	9.498 +.000 -.002	9.500 +.004 +.000	86.80
U37-9.00	9	9-3/4	3/8	.413 +.015 +.000	9.000 +.000 -.002	9.002 +.004 +.000	9.750 +.005 +.000	9.000 +.000 -.005	9.748 +.000 -.002	9.750 +.004 +.000	90.78
U37-9.00-62B	9	9-3/4	5/8	.688 +.015 +.000	9.000 +.000 -.002	9.002 +.004 +.000	9.750 +.005 +.000	9.000 +.000 -.005	9.748 +.000 -.002	9.750 +.004 +.000	101.62
U37-9.25	9-1/4	10	3/8	.413 +.015 +.000	9.250 +.000 -.002	9.252 +.004 +.000	10.000 +.005 +.000	9.250 +.000 -.005	9.998 +.000 -.002	10.000 +.004 +.000	83.07
U37-9.25-50D	9-1/4	10	1/2	.550 +.015 +.000	9.250 +.000 -.002	9.252 +.004 +.000	10.000 +.005 +.000	9.250 +.000 -.005	9.998 +.000 -.002	10.000 +.004 +.000	124.80
U37-9.25-62B	9-1/4	10	5/8	.688 +.015 +.000	9.250 +.000 -.002	9.252 +.004 +.000	10.000 +.005 +.000	9.250 +.000 -.005	9.998 +.000 -.002	10.000 +.004 +.000	122.49
U37-9.50-62B	9-1/2	10-1/4	5/8	.688 +.015 +.000	9.500 +.000 -.002	9.502 +.004 +.000	10.250 +.005 +.000	9.500 +.000 -.005	10.248 +.000 -.002	10.250 +.004 +.000	130.28
U37-9.75-62B	9-3/4	10-1/2	5/8	.688 +.015 +.000	9.750 +.000 -.002	9.752 +.004 +.000	10.500 +.005 +.000	9.750 +.000 -.005	10.498 +.000 -.002	10.500 +.004 +.000	125.81
U37-10.00	10	10-3/4	3/8	.413 +.015 +.000	10.000 +.000 -.002	10.002 +.004 +.000	10.750 +.005 +.000	10.000 +.000 -.005	10.748 +.000 -.002	10.750 +.004 +.000	243.38
U37-10.00-62B	10	10-3/4	5/8	.688 +.015 +.000	10.000 +.000 -.002	10.002 +.004 +.000	10.750 +.005 +.000	10.000 +.000 -.005	10.748 +.000 -.002	10.750 +.004 +.000	150.62
U37-10.50-62B	10-1/2	11-1/4	5/8	.688 +.015 +.000	10.500 +.000 -.002	10.502 +.004 +.000	11.250 +.005 +.000	10.500 +.000 -.005	11.248 +.000 -.002	11.250 +.004 +.000	188.21
U37-11.00-62B	11	11-3/4	5/8	.688 +.015 +.000	11.000 +.000 -.002	11.002 +.004 +.000	11.750 +.005 +.000	11.000 +.000 -.005	11.748 +.000 -.002	11.750 +.004 +.000	170.24

STYLE 800 POLYURETHANE U-SEALS

U-SEALS

Part Number	A Nom. ID	B Nom. OD	C Nom. Ht	D GROOVE WIDTH	E ROD DIAMETER	F THROAT DIAMETER	G HOUSING DIAMETER	H GROOVE DIAMETER	I PISTON DIAMETER	J BORE DIAMETER	List Price
U37-11.25	11-1/4	12	3/8	.413 +.015 +.000	11.250 +.000 -.002	11.252 +.004 +.000	12.000 +.005 +.000	11.250 +.000 -.005	11.998 +.000 -.002	12.000 +.004 +.000	130.63
U37-11.25-62B	11-1/4	12	5/8	.688 +.015 +.000	11.250 +.000 -.002	11.252 +.004 +.000	12.000 +.005 +.000	11.250 +.000 -.005	11.998 +.000 -.002	12.000 +.004 +.000	175.61
U37-11.25-62D	11-1/4	12	5/8	.688 +.015 +.000	11.250 +.000 -.002	11.252 +.004 +.000	12.000 +.005 +.000	11.250 +.000 -.005	11.998 +.000 -.002	12.000 +.004 +.000	168.39
U37-12.25	12-1/4	13	3/8	.413 +.015 +.000	12.250 +.000 -.002	12.252 +.004 +.000	13.000 +.005 +.000	12.250 +.000 -.005	12.998 +.000 -.002	13.000 +.004 +.000	154.21
U37-13.25	13-1/4	14	3/8	.413 +.015 +.000	13.250 +.000 -.002	13.252 +.004 +.000	14.000 +.005 +.000	13.250 +.000 -.005	13.998 +.000 -.002	14.000 +.004 +.000	137.74
7/16" C/S											
U43-1.50	1-1/2	2-3/8	7/16	.482 +.015 +.000	1.500 +.000 -.003	1.502 +.004 +.000	2.375 +.006 +.000	1.500 +.000 -.006	2.373 +.000 -.002	2.375 +.005 +.000	\$ 18.88
U43-2.50	2-1/2	3-3/8	7/16	.482 +.015 +.000	2.500 +.000 -.003	2.502 +.004 +.000	3.375 +.006 +.000	2.500 +.000 -.006	3.373 +.000 -.002	3.375 +.005 +.000	33.33
U43-3.12	3-1/8	4	7/16	.482 +.015 +.000	3.125 +.000 -.003	3.127 +.004 +.000	4.000 +.006 +.000	3.125 +.000 -.006	3.998 +.000 -.002	4.000 +.005 +.000	34.67
U43-4.50	4-1/2	5-3/8	7/16	.482 +.015 +.000	4.500 +.000 -.003	4.502 +.004 +.000	5.375 +.006 +.000	4.500 +.000 -.006	5.373 +.000 -.002	5.375 +.005 +.000	47.84
U43-4.75	4-3/4	5-5/8	7/16	.482 +.015 +.000	4.750 +.000 -.003	4.752 +.004 +.000	5.625 +.006 +.000	4.750 +.000 -.006	5.623 +.000 -.002	5.625 +.005 +.000	50.11
U43-4.75-75B	4-3/4	5-5/8	3/4	.825 +.015 +.000	4.750 +.000 -.003	4.752 +.004 +.000	5.625 +.006 +.000	4.750 +.000 -.006	5.623 +.000 -.002	5.625 +.005 +.000	73.07
U43-5.12	5-1/8	6	7/16	.482 +.015 +.000	5.125 +.000 -.003	5.127 +.004 +.000	6.000 +.006 +.000	5.125 +.000 -.006	5.998 +.000 -.002	6.000 +.005 +.000	56.61
U43-5.25	5-1/4	6-1/8	7/16	.482 +.015 +.000	5.250 +.000 -.003	5.252 +.004 +.000	6.125 +.006 +.000	5.250 +.000 -.006	6.123 +.000 -.002	6.125 +.005 +.000	80.64
1/2" C/S											
U50-1.00	1	2	1/2	.550 +.015 +.000	1.000 +.000 -.003	1.002 +.005 +.000	2.000 +.007 +.000	1.000 +.000 -.007	1.998 +.000 -.003	2.000 +.005 +.000	\$ 18.88
U50-1.25	1-1/4	2-1/4	1/2	.550 +.015 +.000	1.250 +.000 -.003	1.252 +.005 +.000	2.250 +.007 +.000	1.250 +.000 -.007	2.248 +.000 -.003	2.250 +.005 +.000	22.02
U50-1.50	1-1/2	2-1/2	1/2	.550 +.015 +.000	1.500 +.000 -.003	1.502 +.005 +.000	2.500 +.007 +.000	1.500 +.000 -.007	2.498 +.000 -.003	2.500 +.005 +.000	25.80
U50-1.75	1-3/4	2-3/4	1/2	.550 +.015 +.000	1.750 +.000 -.003	1.752 +.005 +.000	2.750 +.007 +.000	1.750 +.000 -.007	2.748 +.000 -.003	2.750 +.005 +.000	29.78
U50-1.87-62B	1-7/8	2-7/8	5/8	.688 +.015 +.000	1.875 +.000 -.003	1.877 +.005 +.000	2.875 +.007 +.000	1.875 +.000 -.007	2.873 +.000 -.003	2.875 +.005 +.000	33.29
U50-2.00	2	3	1/2	.550 +.015 +.000	2.000 +.000 -.003	2.002 +.005 +.000	3.000 +.007 +.000	2.000 +.000 -.007	2.998 +.000 -.003	3.000 +.005 +.000	32.43
U50-2.00-SQB	2	3	1/2	.550 +.015 +.000	2.000 +.000 -.003	2.002 +.005 +.000	3.000 +.007 +.000	2.000 +.000 -.007	2.998 +.000 -.003	3.000 +.005 +.000	32.43
U50-2.00-75B	2	3	3/4	.825 +.015 +.000	2.000 +.000 -.003	2.002 +.005 +.000	3.000 +.007 +.000	2.000 +.000 -.007	2.998 +.000 -.003	3.000 +.005 +.000	34.36
U50-2.25	2-1/4	3-1/4	1/2	.550 +.015 +.000	2.250 +.000 -.003	2.252 +.005 +.000	3.250 +.007 +.000	2.250 +.000 -.007	3.248 +.000 -.003	3.250 +.005 +.000	32.43
U50-2.37-SQB	2-3/8	3-3/8	1/2	.550 +.015 +.000	2.375 +.000 -.003	2.377 +.005 +.000	3.375 +.007 +.000	2.375 +.000 -.007	3.373 +.000 -.003	3.375 +.005 +.000	35.34
U50-2.50	2-1/2	3-1/2	1/2	.550 +.015 +.000	2.500 +.000 -.003	2.502 +.005 +.000	3.500 +.007 +.000	2.500 +.000 -.007	3.498 +.000 -.003	3.500 +.005 +.000	37.35
U50-2.50-75B	2-1/2	3-1/2	3/4	.825 +.015 +.000	2.500 +.000 -.003	2.502 +.005 +.000	3.500 +.007 +.000	2.500 +.000 -.007	3.498 +.000 -.003	3.500 +.005 +.000	43.09
U50-3.00	3	4	1/2	.550 +.015 +.000	3.000 +.000 -.003	3.002 +.005 +.000	4.000 +.007 +.000	3.000 +.000 -.007	3.998 +.000 -.003	4.000 +.005 +.000	43.59
U50-3.00-SQB	3	4	1/2	.550 +.015 +.000	3.000 +.000 -.003	3.002 +.005 +.000	4.000 +.007 +.000	3.000 +.000 -.007	3.998 +.000 -.003	4.000 +.005 +.000	43.59
U50-3.00-62B	3	4	5/8	.688 +.015 +.000	3.000 +.000 -.003	3.002 +.005 +.000	4.000 +.007 +.000	3.000 +.000 -.007	3.998 +.000 -.003	4.000 +.005 +.000	50.83
U50-3.00-75B	3	4	3/4	.825 +.015 +.000	3.000 +.000 -.003	3.002 +.005 +.000	4.000 +.007 +.000	3.000 +.000 -.007	3.998 +.000 -.003	4.000 +.005 +.000	57.11
U50-3.00-75D	3	4	3/4	.825 +.015 +.000	3.000 +.000 -.003	3.002 +.005 +.000	4.000 +.007 +.000	3.000 +.000 -.007	3.998 +.000 -.003	4.000 +.005 +.000	65.28
U50-3.50	3-1/2	4-1/2	1/2	.550 +.015 +.000	3.500 +.000 -.003	3.502 +.005 +.000	4.500 +.007 +.000	3.500 +.000 -.007	4.498 +.000 -.003	4.500 +.005 +.000	49.38

STYLE 800 POLYURETHANE U-SEALS



U-SEALS

Part Number	A Nom. ID	B Nom. OD	C Nom. Ht	D GROOVE WIDTH	E ROD DIAMETER	F THROAT DIAMETER	G HOUSING DIAMETER	H GROOVE DIAMETER	I PISTON DIAMETER	J BORE DIAMETER	List Price
U50-3.50-75B	3-1/2	4-1/2	3/4	.825 +.015 +0.000	3.500 +.000 -.003	3.502 +.005 +0.000	4.500 +.007 +0.000	3.500 +.000 -.007	4.498 +.000 -.003	4.500 +.005 +0.000	54.93
U50-3.50-75D	3-1/2	4-1/2	3/4	.825 +.015 +0.000	3.500 +.000 -.003	3.502 +.005 +0.000	4.500 +.007 +0.000	3.500 +.000 -.007	4.498 +.000 -.003	4.500 +.005 +0.000	54.93
U50-3.62	3-5/8	4-5/8	1/2	.550 +.015 +0.000	3.625 +.000 -.003	3.627 +.005 +0.000	4.625 +.007 +0.000	3.625 +.000 -.007	4.623 +.000 -.003	4.625 +.005 +0.000	47.80
U50-3.75	3-3/4	4-3/4	1/2	.550 +.015 +0.000	3.750 +.000 -.003	3.752 +.005 +0.000	4.750 +.007 +0.000	3.750 +.000 -.007	4.748 +.000 -.003	4.750 +.005 +0.000	51.39
U50-4.00	4	5	1/2	.550 +.015 +0.000	4.000 +.000 -.003	4.002 +.005 +0.000	5.000 +.007 +0.000	4.000 +.000 -.007	4.998 +.000 -.003	5.000 +.005 +0.000	52.43
U50-4.00-67D	4	5	43/64	.740 +.015 +0.000	4.000 +.000 -.003	4.002 +.005 +0.000	5.000 +.007 +0.000	4.000 +.000 -.007	4.998 +.000 -.003	5.000 +.005 +0.000	65.94
U50-4.00-75B	4	5	3/4	.825 +.015 +0.000	4.000 +.000 -.003	4.002 +.005 +0.000	5.000 +.007 +0.000	4.000 +.000 -.007	4.998 +.000 -.003	5.000 +.005 +0.000	56.94
U50-4.25	4-1/4	5-1/4	1/2	.550 +.015 +0.000	4.250 +.000 -.003	4.252 +.005 +0.000	5.250 +.007 +0.000	4.250 +.000 -.007	5.248 +.000 -.003	5.250 +.005 +0.000	57.81
U50-4.25-75B	4-1/4	5-1/4	3/4	.825 +.015 +0.000	4.250 +.000 -.003	4.252 +.005 +0.000	5.250 +.007 +0.000	4.250 +.000 -.007	5.248 +.000 -.003	5.250 +.005 +0.000	62.50
U50-4.50	4-1/2	5-1/2	1/2	.550 +.015 +0.000	4.500 +.000 -.003	4.502 +.005 +0.000	5.500 +.007 +0.000	4.500 +.000 -.007	5.498 +.000 -.003	5.500 +.005 +0.000	61.03
U50-4.50-75B	4-1/2	5-1/2	3/4	.825 +.015 +0.000	4.500 +.000 -.003	4.502 +.005 +0.000	5.500 +.007 +0.000	4.500 +.000 -.007	5.498 +.000 -.003	5.500 +.005 +0.000	67.31
U50-4.50-75D	4-1/2	5-1/2	3/4	.825 +.015 +0.000	4.500 +.000 -.003	4.502 +.005 +0.000	5.500 +.007 +0.000	4.500 +.000 -.007	5.498 +.000 -.003	5.500 +.005 +0.000	67.31
U50-4.75	4-3/4	5-3/4	1/2	.550 +.015 +0.000	4.750 +.000 -.003	4.752 +.005 +0.000	5.750 +.007 +0.000	4.750 +.000 -.007	5.748 +.000 -.003	5.750 +.005 +0.000	63.81
U50-4.75-69B	4-3/4	5-3/4	.69	.759 +.015 +0.000	4.750 +.000 -.003	4.752 +.005 +0.000	5.750 +.007 +0.000	4.750 +.000 -.007	5.748 +.000 -.003	5.750 +.005 +0.000	70.63
U50-5.00	5	6	1/2	.550 +.015 +0.000	5.000 +.000 -.003	5.002 +.005 +0.000	6.000 +.007 +0.000	5.000 +.000 -.007	5.998 +.000 -.003	6.000 +.005 +0.000	77.63
U50-5.00-SQB	5	6	1/2	.550 +.015 +0.000	5.000 +.000 -.003	5.002 +.005 +0.000	6.000 +.007 +0.000	5.000 +.000 -.007	5.998 +.000 -.003	6.000 +.005 +0.000	64.00
U50-5.00-75B	5	6	3/4	.825 +.015 +0.000	5.000 +.000 -.003	5.002 +.005 +0.000	6.000 +.007 +0.000	5.000 +.000 -.007	5.998 +.000 -.003	6.000 +.005 +0.000	71.16
U50-5.00-75D	5	6	3/4	.825 +.015 +0.000	5.000 +.000 -.003	5.002 +.005 +0.000	6.000 +.007 +0.000	5.000 +.000 -.007	5.998 +.000 -.003	6.000 +.005 +0.000	71.16
U50-5.25	5-1/4	6-1/4	1/2	.550 +.015 +0.000	5.250 +.000 -.003	5.252 +.005 +0.000	6.250 +.007 +0.000	5.250 +.000 -.007	6.248 +.000 -.003	6.250 +.005 +0.000	69.77
U50-5.25-75B	5-1/4	6-1/4	3/4	.825 +.015 +0.000	5.250 +.000 -.003	5.252 +.005 +0.000	6.250 +.007 +0.000	5.250 +.000 -.007	6.248 +.000 -.003	6.250 +.005 +0.000	98.90
U50-5.37-75B	5-3/8	6-3/8	3/4	.825 +.015 +0.000	5.375 +.000 -.003	5.377 +.005 +0.000	6.375 +.007 +0.000	5.375 +.000 -.007	6.373 +.000 -.003	6.375 +.005 +0.000	88.60
U50-5.50	5-1/2	6-1/2	1/2	.550 +.015 +0.000	5.500 +.000 -.003	5.502 +.005 +0.000	6.500 +.007 +0.000	5.500 +.000 -.007	6.498 +.000 -.003	6.500 +.005 +0.000	70.86
U50-5.50-75B	5-1/2	6-1/2	3/4	.825 +.015 +0.000	5.500 +.000 -.003	5.502 +.005 +0.000	6.500 +.007 +0.000	5.500 +.000 -.007	6.498 +.000 -.003	6.500 +.005 +0.000	75.12
U50-5.50-75D	5-1/2	6-1/2	3/4	.825 +.015 +0.000	5.500 +.000 -.003	5.502 +.005 +0.000	6.500 +.007 +0.000	5.500 +.000 -.007	6.498 +.000 -.003	6.500 +.005 +0.000	75.12
U50-5.75	5-3/4	6-3/4	1/2	.550 +.015 +0.000	5.750 +.000 -.003	5.752 +.005 +0.000	6.750 +.007 +0.000	5.750 +.000 -.007	6.748 +.000 -.003	6.750 +.005 +0.000	72.94
U50-5.75-75B	5-3/4	6-3/4	3/4	.825 +.015 +0.000	5.750 +.000 -.003	5.752 +.005 +0.000	6.750 +.007 +0.000	5.750 +.000 -.007	6.748 +.000 -.003	6.750 +.005 +0.000	96.12
U50-6.00-SQB	6	7	1/2	.550 +.015 +0.000	6.000 +.000 -.003	6.002 +.005 +0.000	7.000 +.007 +0.000	6.000 +.000 -.007	6.998 +.000 -.003	7.000 +.005 +0.000	76.36
U50-6.00-75B	6	7	3/4	.825 +.015 +0.000	6.000 +.000 -.003	6.002 +.005 +0.000	7.000 +.007 +0.000	6.000 +.000 -.007	6.998 +.000 -.003	7.000 +.005 +0.000	81.26
U50-6.00-75D	6	7	3/4	.825 +.015 +0.000	6.000 +.000 -.003	6.002 +.005 +0.000	7.000 +.007 +0.000	6.000 +.000 -.007	6.998 +.000 -.003	7.000 +.005 +0.000	81.26
U50-6.25	6-1/4	7-1/4	1/2	.550 +.015 +0.000	6.250 +.000 -.003	6.252 +.005 +0.000	7.250 +.007 +0.000	6.250 +.000 -.007	7.248 +.000 -.003	7.250 +.005 +0.000	78.22
U50-6.50	6-1/2	7-1/2	1/2	.550 +.015 +0.000	6.500 +.000 -.003	6.502 +.005 +0.000	7.500 +.007 +0.000	6.500 +.000 -.007	7.498 +.000 -.003	7.500 +.005 +0.000	78.76
U50-6.50-75B	6-1/2	7-1/2	3/4	.825 +.015 +0.000	6.500 +.000 -.003	6.502 +.005 +0.000	7.500 +.007 +0.000	6.500 +.000 -.007	7.498 +.000 -.003	7.500 +.005 +0.000	79.32
U50-6.75-75B	6-3/4	7-3/4	3/4	.825 +.015 +0.000	6.750 +.000 -.003	6.752 +.005 +0.000	7.750 +.007 +0.000	6.750 +.000 -.007	7.748 +.000 -.003	7.750 +.005 +0.000	79.32

STYLE 800 POLYURETHANE U-SEALS

U-SEALS

Part Number	A Nom. ID	B Nom. OD	C Nom. Ht	D GROOVE WIDTH	E ROD DIAMETER	F THROAT DIAMETER	G HOUSING DIAMETER	H GROOVE DIAMETER	I PISTON DIAMETER	J BORE DIAMETER	List Price
U50-7.00	7	8	1/2	.550 +.015 +0.000	7.000 +.000 -.003	7.002 +.005 +0.000	8.000 +.007 +0.000	7.000 +.000 -.007	7.998 +.000 -.003	8.000 +.005 +0.000	81.78
U50-7.00-75B	7	8	3/4	.825 +.015 +0.000	7.000 +.000 -.003	7.002 +.005 +0.000	8.000 +.007 +0.000	7.000 +.000 -.007	7.998 +.000 -.003	8.000 +.005 +0.000	85.01
U50-7.25	7-1/4	8-1/4	1/2	.550 +.015 +0.000	7.250 +.000 -.003	7.252 +.005 +0.000	8.250 +.007 +0.000	7.250 +.000 -.007	8.248 +.000 -.003	8.250 +.005 +0.000	91.11
U50-7.50	7-1/2	8-1/2	1/2	.550 +.015 +0.000	7.500 +.000 -.003	7.502 +.005 +0.000	8.500 +.007 +0.000	7.500 +.000 -.007	8.498 +.000 -.003	8.500 +.005 +0.000	91.31
U50-7.50-75D	7-1/2	8-1/2	3/4	.825 +.015 +0.000	7.500 +.000 -.003	7.502 +.005 +0.000	8.500 +.007 +0.000	7.500 +.000 -.007	8.498 +.000 -.003	8.500 +.005 +0.000	94.02
U50-8.00	8	9	1/2	.550 +.015 +0.000	8.000 +.000 -.003	8.002 +.005 +0.000	9.000 +.007 +0.000	8.000 +.000 -.007	8.998 +.000 -.003	9.000 +.005 +0.000	94.02
U50-8.00-75B	8	9	3/4	.825 +.015 +0.000	8.000 +.000 -.003	8.002 +.005 +0.000	9.000 +.007 +0.000	8.000 +.000 -.007	8.998 +.000 -.003	9.000 +.005 +0.000	96.69
U50-8.00-75D	8	9	3/4	.825 +.015 +0.000	8.000 +.000 -.003	8.002 +.005 +0.000	9.000 +.007 +0.000	8.000 +.000 -.007	8.998 +.000 -.003	9.000 +.005 +0.000	96.69
U50-8.75	8-3/4	9-3/4	1/2	.550 +.015 +0.000	8.750 +.000 -.003	8.752 +.005 +0.000	9.750 +.007 +0.000	8.750 +.000 -.007	9.748 +.000 -.003	9.750 +.005 +0.000	139.03
U50-9.00	9	10	1/2	.550 +.015 +0.000	9.000 +.000 -.003	9.002 +.005 +0.000	10.000 +.007 +0.000	9.000 +.000 -.007	9.998 +.000 -.003	10.000 +.005 +0.000	98.01
U50-9.00N	9	10	1/2	.550 +.015 +0.000	9.000 +.000 -.003	9.002 +.005 +0.000	10.000 +.007 +0.000	9.000 +.000 -.007	9.998 +.000 -.003	10.000 +.005 +0.000	241.01
U50-9.00-75B	9	10	3/4	.825 +.015 +0.000	9.000 +.000 -.003	9.002 +.005 +0.000	10.000 +.007 +0.000	9.000 +.000 -.007	9.998 +.000 -.003	10.000 +.005 +0.000	113.18
U50-9.25-75B	9-1/4	10-1/4	3/4	.825 +.015 +0.000	9.250 +.000 -.003	9.252 +.005 +0.000	10.250 +.007 +0.000	9.250 +.000 -.007	10.248 +.000 -.003	10.250 +.005 +0.000	115.30
U50-9.50	9-1/2	10-1/2	1/2	.550 +.015 +0.000	9.500 +.000 -.003	9.502 +.005 +0.000	10.500 +.007 +0.000	9.500 +.000 -.007	10.498 +.000 -.003	10.500 +.005 +0.000	115.30
U50-10.00	10	11	1/2	.550 +.015 +0.000	10.000 +.000 -.003	10.002 +.005 +0.000	11.000 +.007 +0.000	10.000 +.000 -.007	10.998 +.000 -.003	11.000 +.005 +0.000	128.51
U50-10.00-75B	10	11	3/4	.825 +.015 +0.000	10.000 +.000 -.003	10.002 +.005 +0.000	11.000 +.007 +0.000	10.000 +.000 -.007	10.998 +.000 -.003	11.000 +.005 +0.000	168.29
U50-10.00-75D	10	11	3/4	.825 +.015 +0.000	10.000 +.000 -.003	10.002 +.005 +0.000	11.000 +.007 +0.000	10.000 +.000 -.007	10.998 +.000 -.003	11.000 +.005 +0.000	179.54
U50-10.50	10-1/2	11-1/2	1/2	.550 +.015 +0.000	10.500 +.000 -.003	10.502 +.005 +0.000	11.500 +.007 +0.000	10.500 +.000 -.007	11.498 +.000 -.003	11.500 +.005 +0.000	124.26
U50-10.62-75B	10-5/8	11-5/8	3/4	.825 +.015 +0.000	10.625 +.000 -.003	10.627 +.005 +0.000	11.625 +.007 +0.000	10.625 +.000 -.007	11.623 +.000 -.003	11.625 +.005 +0.000	184.93
U50-10.75	10-3/4	11-3/4	1/2	.550 +.015 +0.000	10.750 +.000 -.003	10.752 +.005 +0.000	11.750 +.007 +0.000	10.750 +.000 -.005	11.748 +.000 -.003	11.750 +.007 +0.000	125.10
U50-11.00	11	12	1/2	.550 +.015 +0.000	11.000 +.000 -.003	11.002 +.005 +0.000	12.000 +.007 +0.000	11.000 +.000 -.007	11.998 +.000 -.003	12.000 +.005 +0.000	127.17
U50-11.00-75B	11	12	3/4	.825 +.015 +0.000	11.000 +.000 -.003	11.002 +.005 +0.000	12.000 +.007 +0.000	11.000 +.000 -.007	11.998 +.000 -.003	12.000 +.005 +0.000	202.89
U50-11.50-75D	11-1/2	12-1/2	3/4	.825 +.015 +0.000	11.500 +.000 -.003	11.502 +.005 +0.000	12.500 +.007 +0.000	11.500 +.000 -.007	12.498 +.000 -.003	12.500 +.005 +0.000	231.89
U50-12.00	12	13	1/2	.550 +.015 +0.000	12.000 +.000 -.003	12.002 +.005 +0.000	13.000 +.007 +0.000	12.000 +.000 -.007	12.998 +.000 -.003	13.000 +.005 +0.000	171.98
U50-12.00-75B	12	13	3/4	.825 +.015 +0.000	12.000 +.000 -.003	12.002 +.005 +0.000	13.000 +.007 +0.000	12.000 +.000 -.007	12.998 +.000 -.003	13.000 +.005 +0.000	228.01
U50-13.00	13	14	1/2	.550 +.015 +0.000	13.000 +.000 -.003	13.002 +.005 +0.000	14.000 +.007 +0.000	13.000 +.000 -.007	13.998 +.000 -.003	14.000 +.005 +0.000	173.38
U50-13.00-75B	13	14	3/4	.825 +.015 +0.000	13.000 +.000 -.003	13.002 +.005 +0.000	14.000 +.007 +0.000	13.000 +.000 -.007	13.998 +.000 -.003	14.000 +.005 +0.000	278.71
U50-13.50-75D	13-1/2	14-1/2	3/4	.825 +.015 +0.000	13.500 +.000 -.003	13.502 +.005 +0.000	14.500 +.007 +0.000	13.500 +.000 -.007	14.498 +.000 -.003	14.500 +.005 +0.000	365.77
U50-14.00-75B	14	15	3/4	.825 +.015 +0.000	14.000 +.000 -.003	14.002 +.005 +0.000	15.000 +.007 +0.000	14.000 +.000 -.007	14.998 +.000 -.003	15.000 +.005 +0.000	371.45
U50-15.00	15	16	1/2	.550 +.015 +0.000	15.000 +.000 -.003	15.002 +.005 +0.000	16.000 +.007 +0.000	15.000 +.000 -.007	15.998 +.000 -.003	16.000 +.005 +0.000	219.18
U50-15.00-75B	15	16	3/4	.825 +.015 +0.000	15.000 +.000 -.003	15.002 +.005 +0.000	16.000 +.007 +0.000	15.000 +.000 -.007	15.998 +.000 -.003	16.000 +.005 +0.000	373.79
U50-15.50-75D	15-1/2	16-1/2	3/4	.825 +.015 +0.000	15.500 +.000 -.003	15.502 +.005 +0.000	16.500 +.007 +0.000	15.500 +.000 -.007	16.498 +.000 -.003	16.500 +.005 +0.000	393.57

5/8" C/S

STYLE 800 POLYURETHANE U-SEALS



U-SEALS

Part Number	A Nom. ID	B Nom. OD	C Nom. Ht	D GROOVE WIDTH	E ROD DIAMETER	F THROAT DIAMETER	G HOUSING DIAMETER	H GROOVE DIAMETER	I PISTON DIAMETER	J BORE DIAMETER	List Price
U62-1.25	1-1/4	2-1/2	5/8	.688 +.015 +.000	1.250 +.000 -.003	1.252 +.006 +.000	2.500 +.009 +.000	1.250 +.000 -.009	2.498 +.000 -.003	2.500 +.006 +.000	\$30.27
U62-1.75	1-3/4	3	5/8	.688 +.015 +.000	1.750 +.000 -.003	1.752 +.006 +.000	3.000 +.009 +.000	1.750 +.000 -.009	2.998 +.000 -.003	3.000 +.006 +.000	42.86
U62-2.75	2-3/4	4	5/8	.688 +.015 +.000	2.750 +.000 -.003	2.752 +.006 +.000	4.000 +.009 +.000	2.750 +.000 -.009	3.998 +.000 -.003	4.000 +.006 +.000	48.72
U62-3.00	3	4-1/4	5/8	.688 +.015 +.000	3.000 +.000 -.003	3.002 +.006 +.000	4.250 +.009 +.000	3.000 +.000 -.009	4.248 +.000 -.003	4.250 +.006 +.000	50.01
U62-3.25	3-1/4	4-1/2	5/8	.688 +.015 +.000	3.250 +.000 -.003	3.252 +.006 +.000	4.500 +.009 +.000	3.250 +.000 -.009	4.498 +.000 -.003	4.500 +.006 +.000	56.52
U62-3.75	3-3/4	5	5/8	.688 +.015 +.000	3.750 +.000 -.003	3.752 +.006 +.000	5.000 +.009 +.000	3.750 +.000 -.009	4.998 +.000 -.003	5.000 +.006 +.000	61.90
U62-4.00	4	5-1/4	5/8	.688 +.015 +.000	4.000 +.000 -.003	4.002 +.006 +.000	5.250 +.009 +.000	4.000 +.000 -.009	5.248 +.000 -.003	5.250 +.006 +.000	68.25
U62-4.25	4-1/4	5-1/2	5/8	.688 +.015 +.000	4.250 +.000 -.003	4.252 +.006 +.000	5.500 +.009 +.000	4.250 +.000 -.009	5.498 +.000 -.003	5.500 +.006 +.000	71.26
U62-4.75	4-3/4	6	5/8	.688 +.015 +.000	4.750 +.000 -.003	4.752 +.006 +.000	6.000 +.009 +.000	4.750 +.000 -.009	5.998 +.000 -.003	6.000 +.006 +.000	79.54
U62-4.75-75D	4-3/4	6	3/4	.825 +.015 +.000	4.750 +.000 -.003	4.752 +.006 +.000	6.000 +.009 +.000	4.750 +.000 -.009	5.998 +.000 -.003	6.000 +.006 +.000	87.57
U62-5.00	5	6-1/4	5/8	.688 +.015 +.000	5.000 +.000 -.003	5.002 +.006 +.000	6.250 +.009 +.000	5.000 +.000 -.009	6.248 +.000 -.003	6.250 +.006 +.000	87.99
U62-5.25	5-1/4	6-1/2	5/8	.688 +.015 +.000	5.250 +.000 -.003	5.252 +.006 +.000	6.500 +.009 +.000	5.250 +.000 -.009	6.498 +.000 -.003	6.500 +.006 +.000	88.52
U62-5.50	5-1/2	6-3/4	5/8	.688 +.015 +.000	5.500 +.000 -.003	5.502 +.006 +.000	6.750 +.009 +.000	5.500 +.000 -.009	6.748 +.000 -.003	6.750 +.006 +.000	102.08
U62-5.75	5-3/4	7	5/8	.688 +.015 +.000	5.750 +.000 -.003	5.752 +.006 +.000	7.000 +.009 +.000	5.750 +.000 -.009	6.998 +.000 -.003	7.000 +.006 +.000	95.76
U62-6.00	6	7-1/4	5/8	.688 +.015 +.000	6.000 +.000 -.003	6.002 +.006 +.000	7.250 +.009 +.000	6.000 +.000 -.009	7.248 +.000 -.003	7.250 +.006 +.000	104.49
U62-6.25	6-1/4	7-1/2	5/8	.688 +.015 +.000	6.250 +.000 -.003	6.252 +.006 +.000	7.500 +.009 +.000	6.250 +.000 -.009	7.498 +.000 -.003	7.500 +.006 +.000	106.50
U62-7.00-100B	7	8-1/4	1	1.100 +.015 +.000	7.000 +.000 -.003	7.002 +.006 +.000	8.250 +.009 +.000	7.000 +.000 -.009	8.248 +.000 -.003	8.250 +.006 +.000	124.76
U62-7.25	7-1/4	8-1/2	5/8	.688 +.015 +.000	7.250 +.000 -.003	7.252 +.006 +.000	8.500 +.009 +.000	7.250 +.000 -.009	8.498 +.000 -.003	8.500 +.006 +.000	118.91
U62-8.00	8	9-1/4	5/8	.688 +.015 +.000	8.000 +.000 -.003	8.002 +.006 +.000	9.250 +.009 +.000	8.000 +.000 -.009	9.248 +.000 -.003	9.250 +.006 +.000	128.05
U62-8.50	8-1/2	9-3/4	5/8	.688 +.015 +.000	8.500 +.000 -.003	8.502 +.006 +.000	9.750 +.009 +.000	8.500 +.000 -.009	9.748 +.000 -.003	9.750 +.006 +.000	145.55
U62-8.75	8-3/4	10	5/8	.688 +.015 +.000	8.750 +.000 -.003	8.752 +.006 +.000	10.000 +.009 +.000	8.750 +.000 -.009	9.998 +.000 -.003	10.000 +.006 +.000	154.37
U62-9.00	9	10-1/4	5/8	.688 +.015 +.000	9.000 +.000 -.003	9.002 +.006 +.000	10.250 +.009 +.000	9.000 +.000 -.009	10.248 +.000 -.003	10.250 +.006 +.000	163.57
U62-9.50	9-1/2	10-3/4	5/8	.688 +.015 +.000	9.500 +.000 -.003	9.502 +.006 +.000	10.750 +.009 +.000	9.500 +.000 -.009	10.748 +.000 -.003	10.750 +.006 +.000	200.68
U62-10.00-100B	10	11-1/4	1	1.100 +.015 +.000	10.000 +.000 -.003	10.002 +.006 +.000	11.250 +.009 +.000	10.000 +.000 -.009	11.248 +.000 -.003	11.250 +.006 +.000	228.86
U62-12.00	12	13-1/4	5/8	.688 +.015 +.000	12.000 +.000 -.003	12.002 +.006 +.000	13.250 +.009 +.000	12.000 +.000 -.009	13.248 +.000 -.003	13.250 +.006 +.000	226.08
U62-14.00-100D	14	15-1/4	1	1.100 +.015 +.000	14.000 +.000 -.003	14.002 +.006 +.000	15.250 +.009 +.000	14.000 +.000 -.009	15.248 +.000 -.003	15.250 +.006 +.000	434.39
U62-14.75-100B	14-3/4	16	1	1.100 +.015 +.000	14.750 +.000 -.003	14.752 +.006 +.000	16.000 +.009 +.000	14.750 +.000 -.009	15.998 +.000 -.003	16.000 +.006 +.000	468.17
3/4" C/S											
U75-3.50-SQB	3-1/2	5	3/4	.825 +.015 +.000	3.500 +.000 -.004	3.502 +.007 +.000	5.000 +.011 +.000	3.500 +.000 -.010	4.998 +.000 -.004	5.000 +.007 +.000	\$83.28
U75-4.50	4-1/2	6	3/4	.825 +.015 +.000	4.500 +.000 -.004	4.502 +.007 +.000	6.000 +.011 +.000	4.500 +.000 -.010	5.998 +.000 -.004	6.000 +.007 +.000	91.17
U75-6.00	6	7-1/2	3/4	.825 +.015 +.000	6.000 +.000 -.004	6.002 +.007 +.000	7.500 +.011 +.000	6.000 +.000 -.010	7.498 +.000 -.004	7.500 +.007 +.000	107.04
U75-6.50	6-1/2	8	3/4	.825 +.015 +.000	6.500 +.000 -.004	6.502 +.007 +.000	8.000 +.011 +.000	6.500 +.000 -.010	7.998 +.000 -.004	8.000 +.007 +.000	117.74
U75-7.00	7	8-1/2	3/4	.825 +.015 +.000	7.000 +.000 -.004	7.002 +.007 +.000	8.500 +.011 +.000	7.000 +.000 -.010	8.498 +.000 -.004	8.500 +.007 +.000	127.10



STYLE 800 POLYURETHANE U-SEALS

U-SEALS

Part Number	A Nom. ID	B Nom. OD	C Nom. Ht	D GROOVE WIDTH	E ROD DIAMETER	F THROAT DIAMETER	G HOUSING DIAMETER	H GROOVE DIAMETER	I PISTON DIAMETER	J BORE DIAMETER	List Price
U75-9.50	9-1/2	11	3/4	.825 +0.015 +0.000	9.500 +0.000 -0.004	9.502 +0.007 +0.000	11.000 +0.011 +0.000	9.500 +0.000 -0.010	10.998 +0.000 -0.004	11.000 +0.007 +0.000	193.08
U75-10.00	10	11-1/2	3/4	.825 +0.015 +0.000	10.000 +0.000 -0.004	10.002 +0.006 +0.000	11.500 +0.011 +0.000	10.000 +0.000 -0.010	11.498 +0.000 -0.003	11.500 +0.007 +0.000	235.10
U75-10.50	10-1/2	12	3/4	.825 +0.015 +0.000	10.500 +0.000 -0.004	10.502 +0.006 +0.000	12.000 +0.011 +0.000	10.500 +0.000 -0.010	11.998 +0.000 -0.003	12.000 +0.007 +0.000	204.84
U75-11.00	11	12-1/2	3/4	.825 +0.015 +0.000	11.000 +0.000 -0.004	11.002 +0.006 +0.000	12.500 +0.011 +0.000	11.000 +0.000 -0.010	12.498 +0.000 -0.003	12.500 +0.007 +0.000	224.30
U75-12.50	12-1/2	14	3/4	.825 +0.015 +0.000	12.500 +0.000 -0.004	12.502 +0.006 +0.000	14.000 +0.011 +0.000	12.500 +0.000 -0.010	13.998 +0.000 -0.003	14.000 +0.007 +0.000	281.92
U75-14.00	14	15-1/2	3/4	.825 +0.015 +0.000	14.000 +0.000 -0.004	14.002 +0.006 +0.000	15.500 +0.011 +0.000	14.000 +0.000 -0.010	15.498 +0.000 -0.003	15.500 +0.007 +0.000	339.59
U75-14.50	14-1/2	16	3/4	.825 +0.015 +0.000	14.500 +0.000 -0.004	14.501 +0.006 +0.000	16.000 +0.011 +0.000	14.500 +0.000 -0.010	15.999 +0.000 -0.003	16.000 +0.007 +0.000	374.16
1" C/S											
U100-12.00-150D	12	14	1-1/2	1.650 +0.015 +0.000	12.000 +0.000 -0.005	12.002 +0.007 +0.000	14.000 +0.015 +0.000	12.000 +0.000 -0.012	13.998 +0.000 -0.004	14.000 +0.009 +0.000	\$669.44
U100-16.00	16	18	1	1.100 +0.015 +0.000	16.000 +0.000 -0.005	16.002 +0.007 +0.000	18.000 +0.015 +0.000	16.000 +0.000 -0.012	17.998 +0.000 -0.004	18.000 +0.009 +0.000	733.94
U100-18.00	18	20	1	1.100 +0.015 +0.000	18.000 +0.000 -0.005	18.002 +0.007 +0.000	20.000 +0.015 +0.000	18.000 +0.000 -0.012	19.998 +0.000 -0.004	20.000 +0.009 +0.000	810.69

2025 MOBILE KIT CATALOG AVAILABLE



**The 2025
Mobile Kit Catalog
Now Available!**

**Order Online -
www.HerculesUS.com**

**Scan Here to Order
Your Catalog Now!**



Seal color may vary. Special order sizes are available. Sizes not shown and out of stock items can also be ordered for next day delivery through Seals On Demand, our custom seal program. Please call your regional sales team for assistance.

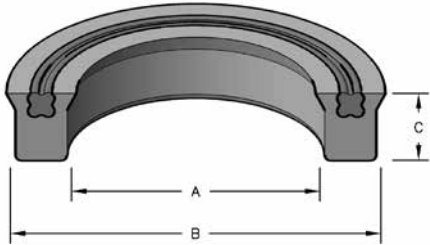
**FORMERLY LISTED REPAIR PARTS ARE AVAILABLE ONLINE AT WWW.HERCULESUS.COM
OR BY CONTACTING YOUR REGIONAL HERCULES SALES TEAM.**

**MOBILE KIT CATALOG
AVAILABLE**



STYLE 800 PM U-SEALS

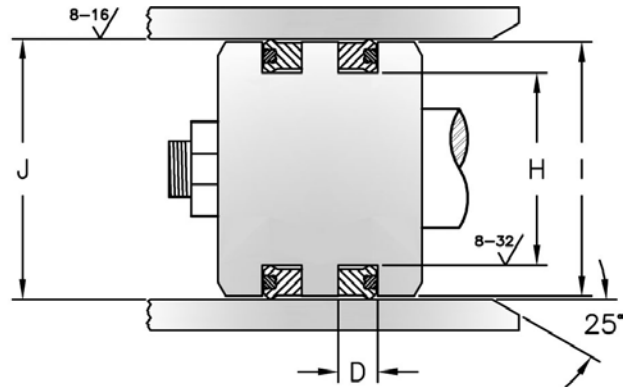
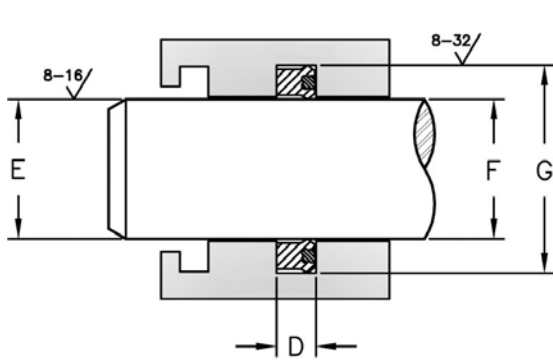
Our Style 800 orange Hytrel U-seals offer superior resistance to abrasion, extrusion, and heat. As a drop-in replacement for our standard Style 800 U-seals, they can prolong equipment life under today's increased demands. These seals are suitable for both petroleum-based and water-based fluids.



HERCULES PART NUMBERS

U 12 - 0.25 - 25 BPM
Type of Seal Cross Section Inside Diameter Height

SEAL INFORMATION	
MATERIAL	55D HYTREL SEAL FKM ENERGIZER
TEMPERATURE RANGE	-65° TO +275° F
PRESSURE RANGE	0 TO 5,000 PSI
SPEED	3 FT/SEC



Standard -
Height and cross section are equal, thus giving a square seal. Utilizes type "D" lip
Typical Part Number U25-0.18PM



Deep -
Utilizes the same "D" lip, but the seal height is greater than the cross section, thus giving a rectangular shape.
Typical Part Number U25-2.00-37DPM



Type SQB -
Same dimensions as the Standard seal. Beveled lip design provides better film breaking. Utilizes type "B" lip.
Typical Part Number U25-2.50-SQBPM



Type B -
Same dimensions as the Deep seal. Beveled lip design provides better film breaking. Utilizes type "B" lip.
Typical Part Number U25-2.25-37BPM

Part Number	A Nom. ID	B Nom. OD	C Nom. Ht	D GROOVE WIDTH	E ROD DIAMETER	F THROAT DIAMETER	G HOUSING DIAMETER	H GROOVE DIAMETER	I PISTON DIAMETER	J BORE DIAMETER	List Price
1/8" C/S											
U12-0.25-25BPM	1/4	1/2	1/4	.275 ^{+0.015} / _{+0.000}	.250 ^{+0.000} / _{-0.001}	.251 ^{+0.002} / _{+0.000}	.500 ^{+0.002} / _{+0.000}	.250 ^{+0.000} / _{-0.002}	.499 ^{+0.000} / _{-0.001}	.500 ^{+0.002} / _{+0.000}	\$12.59
U12-0.31-SQBPM	5/16	9/16	1/8	.138 ^{+0.015} / _{+0.000}	.312 ^{+0.000} / _{-0.001}	.313 ^{+0.002} / _{+0.000}	.563 ^{+0.002} / _{+0.000}	.312 ^{+0.000} / _{-0.002}	.562 ^{+0.000} / _{-0.001}	.563 ^{+0.002} / _{+0.000}	11.80
U12-0.50-25BPM	1/2	3/4	1/4	.275 ^{+0.015} / _{+0.000}	.500 ^{+0.000} / _{-0.001}	.501 ^{+0.002} / _{+0.000}	.750 ^{+0.002} / _{+0.000}	.500 ^{+0.000} / _{-0.002}	.749 ^{+0.000} / _{-0.001}	.750 ^{+0.002} / _{+0.000}	13.68
U12-0.75-SQBPM	3/4	1	1/8	.138 ^{+0.015} / _{+0.000}	.750 ^{+0.000} / _{-0.001}	.751 ^{+0.002} / _{+0.000}	1.000 ^{+0.002} / _{+0.000}	.750 ^{+0.000} / _{-0.002}	.999 ^{+0.000} / _{-0.001}	1.000 ^{+0.002} / _{+0.000}	12.59
U12-0.75-25BPM	3/4	1	1/4	.275 ^{+0.015} / _{+0.000}	.750 ^{+0.000} / _{-0.001}	.751 ^{+0.002} / _{+0.000}	1.000 ^{+0.002} / _{+0.000}	.750 ^{+0.000} / _{-0.002}	.999 ^{+0.000} / _{-0.001}	1.000 ^{+0.002} / _{+0.000}	14.73
U12-0.87-25BPM	7/8	1-1/8	1/4	.275 ^{+0.015} / _{+0.000}	.875 ^{+0.000} / _{-0.001}	.876 ^{+0.002} / _{+0.000}	1.125 ^{+0.002} / _{+0.000}	.875 ^{+0.000} / _{-0.002}	1.124 ^{+0.000} / _{-0.001}	1.125 ^{+0.002} / _{+0.000}	15.39

STYLE 800 PM U-SEALS



U-SEALS

Part Number	A Nom. ID	B Nom. OD	C Nom. Ht	D GROOVE WIDTH	E ROD DIAMETER	F THROAT DIAMETER	G HOUSING DIAMETER	H GROOVE DIAMETER	I PISTON DIAMETER	J BORE DIAMETER	List Price
U12-1.00-SQBPM	1	1-1/4	1/8	.138 +.015 +0.000	1.000 +.000 -.001	1.001 +.002 +0.000	1.250 +.002 +0.000	1.000 +.000 -.002	1.249 +.000 -.001	1.250 +.002 +0.000	13.68
U12-1.12-SQBPM	1-1/8	1-3/8	1/8	.138 +.015 +0.000	1.125 +.000 -.001	1.126 +.002 +0.000	1.375 +.002 +0.000	1.125 +.000 -.002	1.374 +.000 -.001	1.375 +.002 +0.000	14.18
U12-1.37-SQBPM	1-3/8	1-5/8	1/8	.138 +.015 +0.000	1.375 +.000 -.001	1.376 +.002 +0.000	1.625 +.002 +0.000	1.375 +.000 -.002	1.624 +.000 -.001	1.625 +.002 +0.000	16.05
U12-1.50-SQBPM	1-1/2	1-3/4	1/8	.138 +.015 +0.000	1.500 +.000 -.001	1.501 +.002 +0.000	1.750 +.002 +0.000	1.500 +.000 -.002	1.749 +.000 -.001	1.750 +.002 +0.000	26.33
U12-1.50-25BPM	1-1/2	1-3/4	1/4	.275 +.015 +0.000	1.500 +.000 -.001	1.501 +.002 +0.000	1.750 +.002 +0.000	1.500 +.000 -.002	1.749 +.000 -.001	1.750 +.002 +0.000	18.96
3/16" C/S											
U18-0.75-SQBPM	3/4	1-1/8	3/16	.207 +.015 +0.000	.750 +.000 -.002	.751 +.002 +0.000	1.125 +.002 +0.000	.750 +.000 -.002	1.124 +.000 -.002	1.125 +.002 +0.000	\$13.81
U18-1.00-SQBPM	1	1-3/8	3/16	.207 +.015 +0.000	1.000 +.000 -.002	1.001 +.002 +0.000	1.375 +.002 +0.000	1.000 +.000 -.002	1.374 +.000 -.002	1.375 +.002 +0.000	15.25
U18-1.12-SQBPM	1-1/8	1-1/2	3/16	.207 +.015 +0.000	1.125 +.000 -.002	1.126 +.002 +0.000	1.500 +.002 +0.000	1.125 +.000 -.002	1.499 +.000 -.002	1.500 +.002 +0.000	15.95
U18-1.37-SQBPM	1-3/8	1-3/4	3/16	.207 +.015 +0.000	1.375 +.000 -.002	1.376 +.002 +0.000	1.750 +.002 +0.000	1.375 +.000 -.002	1.749 +.000 -.002	1.750 +.002 +0.000	35.66
U18-1.37-31BPM	1-3/8	1-3/4	5/16	.344 +.015 +0.000	1.375 +.000 -.002	1.376 +.002 +0.000	1.750 +.002 +0.000	1.375 +.000 -.002	1.749 +.000 -.002	1.750 +.002 +0.000	43.15
U18-1.50-SQBPM	1-1/2	1-7/8	3/16	.207 +.015 +0.000	1.500 +.000 -.002	1.501 +.002 +0.000	1.875 +.002 +0.000	1.500 +.000 -.002	1.874 +.000 -.002	1.875 +.002 +0.000	21.59
U18-1.62-37BPM	1-5/8	2	3/8	.413 +.015 +0.000	1.625 +.000 -.002	1.626 +.002 +0.000	2.000 +.002 +0.000	1.625 +.000 -.002	1.999 +.000 -.002	2.000 +.002 +0.000	46.91
U18-1.75-SQBPM	1-3/4	2-1/8	3/16	.207 +.015 +0.000	1.750 +.000 -.002	1.751 +.002 +0.000	2.125 +.002 +0.000	1.750 +.000 -.002	2.124 +.000 -.002	2.125 +.002 +0.000	19.65
U18-1.75-31BPM	1-3/4	2-1/8	5/16	.344 +.015 +0.000	1.750 +.000 -.002	1.751 +.002 +0.000	2.125 +.002 +0.000	1.750 +.000 -.002	2.124 +.000 -.002	2.125 +.002 +0.000	26.10
U18-1.75-37BPM	1-3/4	2-1/8	3/8	.413 +.015 +0.000	1.750 +.000 -.002	1.751 +.002 +0.000	2.125 +.002 +0.000	1.750 +.000 -.002	2.124 +.000 -.002	2.125 +.002 +0.000	28.88
U18-1.87-SQBPM	1-7/8	2-1/4	3/16	.207 +.015 +0.000	1.875 +.000 -.002	1.876 +.002 +0.000	2.250 +.002 +0.000	1.875 +.000 -.002	2.249 +.000 -.002	2.250 +.002 +0.000	24.20
U18-1.87-37BPM	1-7/8	2-1/4	3/8	.413 +.015 +0.000	1.875 +.000 -.002	1.876 +.002 +0.000	2.250 +.002 +0.000	1.875 +.000 -.002	2.249 +.000 -.002	2.250 +.002 +0.000	23.35
U18-2.00-SQBPM	2	2-3/8	3/16	.207 +.015 +0.000	2.000 +.000 -.002	2.001 +.002 +0.000	2.375 +.002 +0.000	2.000 +.000 -.002	2.374 +.000 -.002	2.375 +.002 +0.000	19.64
U18-2.25-SQBPM	2-1/4	2-5/8	3/16	.207 +.015 +0.000	2.250 +.000 -.002	2.251 +.002 +0.000	2.625 +.002 +0.000	2.250 +.000 -.002	2.624 +.000 -.002	2.625 +.002 +0.000	24.39
1/4" C/S											
U25-1.00-37BPM	1	1-1/2	3/8	.413 +.015 +0.000	1.000 +.000 -.002	1.001 +.003 +0.000	1.500 +.003 +0.000	1.000 +.000 -.003	1.499 +.000 -.002	1.500 +.003 +0.000	\$19.87
U25-1.18PM	1-3/16	1-11/16	1/4	.275 +.015 +0.000	1.187 +.000 -.002	1.188 +.003 +0.000	1.688 +.003 +0.000	1.187 +.000 -.003	1.687 +.000 -.002	1.688 +.003 +0.000	19.24
U25-1.50-SQBPM	1-1/2	2	1/4	.275 +.015 +0.000	1.500 +.000 -.002	1.501 +.003 +0.000	2.000 +.003 +0.000	1.500 +.000 -.003	1.999 +.000 -.002	2.000 +.003 +0.000	24.32
U25-2.12-37BPM	2-1/8	2-5/8	3/8	.413 +.015 +0.000	2.125 +.000 -.002	2.126 +.003 +0.000	2.625 +.003 +0.000	2.125 +.000 -.003	2.624 +.000 -.002	2.625 +.003 +0.000	30.27
U25-2.50PM	2-1/2	3	1/4	.275 +.015 +0.000	2.500 +.000 -.002	2.501 +.003 +0.000	3.000 +.003 +0.000	2.500 +.000 -.003	2.999 +.000 -.002	3.000 +.003 +0.000	49.34
U25-3.00-SQBPM	3	3-1/2	1/4	.275 +.015 +0.000	3.000 +.000 -.002	3.001 +.003 +0.000	3.500 +.003 +0.000	3.000 +.000 -.003	3.499 +.000 -.002	3.500 +.003 +0.000	34.92
U25-3.25-37BPM	3-1/4	3-3/4	3/8	.413 +.015 +0.000	3.250 +.000 -.002	3.251 +.003 +0.000	3.750 +.003 +0.000	3.250 +.000 -.003	3.749 +.000 -.002	3.750 +.003 +0.000	42.22
U25-3.50PM	3-1/2	4	1/4	.275 +.015 +0.000	3.500 +.000 -.002	3.501 +.003 +0.000	4.000 +.003 +0.000	3.500 +.000 -.003	3.999 +.000 -.002	4.000 +.003 +0.000	94.28
U25-5.00PM	5	5-1/2	1/4	.275 +.015 +0.000	5.000 +.000 -.002	5.001 +.003 +0.000	5.500 +.003 +0.000	5.000 +.000 -.003	5.499 +.000 -.002	5.500 +.003 +0.000	55.18
U25-5.50PM	5-1/2	6	1/4	.275 +.015 +0.000	5.500 +.000 -.002	5.501 +.003 +0.000	6.000 +.003 +0.000	5.500 +.000 -.003	5.999 +.000 -.002	6.000 +.003 +0.000	60.22
5/16" C/S											
U31-1.50-37BPM	1-1/2	2-1/8	3/8	.413 +.015 +0.000	1.500 +.000 -.002	1.502 +.003 +0.000	2.125 +.004 +0.000	1.500 +.000 -.004	2.123 +.000 -.002	2.125 +.003 +0.000	\$34.20
U31-2.50-50BPM	2-1/2	3-1/8	1/2	.550 +.015 +0.000	2.500 +.000 -.002	2.502 +.003 +0.000	3.125 +.004 +0.000	2.500 +.000 -.004	3.123 +.000 -.002	3.125 +.003 +0.000	39.01



STYLE 800 PM U-SEALS

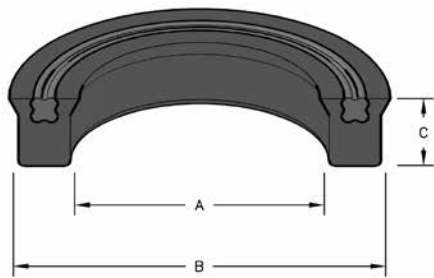
U-SEALS

Part Number	A Nom. ID	B Nom. OD	C Nom. Ht	D GROOVE WIDTH	E ROD DIAMETER	F THROAT DIAMETER	G HOUSING DIAMETER	H GROOVE DIAMETER	I PISTON DIAMETER	J BORE DIAMETER	List Price
U31-3.00-50BPM	3	3-5/8	1/2	.550 ^{+0.015} / _{+0.000}	3.000 ^{+0.000} / _{-0.002}	3.002 ^{+0.003} / _{+0.000}	3.625 ^{+0.004} / _{+0.000}	3.000 ^{+0.000} / _{-0.004}	3.623 ^{+0.000} / _{-0.002}	3.625 ^{+0.003} / _{+0.000}	45.64
3/8" C/S											
U37-2.75PM	2-3/4	3-1/2	3/8	.413 ^{+0.015} / _{+0.000}	2.750 ^{+0.000} / _{-0.002}	2.752 ^{+0.004} / _{+0.000}	3.500 ^{+0.005} / _{+0.000}	2.750 ^{+0.000} / _{-0.005}	3.498 ^{+0.000} / _{-0.002}	3.500 ^{+0.004} / _{+0.000}	\$53.50
U37-3.25PM	3-1/4	4	3/8	.413 ^{+0.015} / _{+0.000}	3.250 ^{+0.000} / _{-0.002}	3.252 ^{+0.004} / _{+0.000}	4.000 ^{+0.005} / _{+0.000}	3.250 ^{+0.000} / _{-0.005}	3.998 ^{+0.000} / _{-0.002}	4.000 ^{+0.004} / _{+0.000}	61.69
U37-3.50-62BPM	3-1/2	4-1/4	5/8	.688 ^{+0.015} / _{+0.000}	3.500 ^{+0.000} / _{-0.002}	3.502 ^{+0.004} / _{+0.000}	4.250 ^{+0.005} / _{+0.000}	3.500 ^{+0.000} / _{-0.005}	4.248 ^{+0.000} / _{-0.002}	4.250 ^{+0.004} / _{+0.000}	127.24
U37-4.00-62BPM	4	4-3/4	5/8	.688 ^{+0.015} / _{+0.000}	4.000 ^{+0.000} / _{-0.002}	4.002 ^{+0.004} / _{+0.000}	4.750 ^{+0.005} / _{+0.000}	4.000 ^{+0.000} / _{-0.005}	4.748 ^{+0.000} / _{-0.002}	4.750 ^{+0.004} / _{+0.000}	82.54
U37-4.25-50DPM	4-1/4	5	1/2	.550 ^{+0.015} / _{+0.000}	4.250 ^{+0.000} / _{-0.002}	4.252 ^{+0.004} / _{+0.000}	5.000 ^{+0.005} / _{+0.000}	4.250 ^{+0.000} / _{-0.005}	4.998 ^{+0.000} / _{-0.002}	5.000 ^{+0.004} / _{+0.000}	100.67
U37-4.50-62BPM	4-1/2	5-1/4	5/8	.688 ^{+0.015} / _{+0.000}	4.500 ^{+0.000} / _{-0.002}	4.502 ^{+0.004} / _{+0.000}	5.250 ^{+0.005} / _{+0.000}	4.500 ^{+0.000} / _{-0.005}	5.248 ^{+0.000} / _{-0.002}	5.250 ^{+0.004} / _{+0.000}	90.48
U37-5.00-62BPM	5	5-3/4	5/8	.688 ^{+0.015} / _{+0.000}	5.000 ^{+0.000} / _{-0.002}	5.002 ^{+0.004} / _{+0.000}	5.750 ^{+0.005} / _{+0.000}	5.000 ^{+0.000} / _{-0.005}	5.748 ^{+0.000} / _{-0.002}	5.750 ^{+0.004} / _{+0.000}	99.24
U37-5.25-62BPM	5-1/4	6	5/8	.688 ^{+0.015} / _{+0.000}	5.250 ^{+0.000} / _{-0.002}	5.252 ^{+0.004} / _{+0.000}	6.000 ^{+0.005} / _{+0.000}	5.250 ^{+0.000} / _{-0.005}	5.998 ^{+0.000} / _{-0.002}	6.000 ^{+0.004} / _{+0.000}	108.51
U37-6.25PM	6-1/4	7	3/8	.413 ^{+0.015} / _{+0.000}	6.250 ^{+0.000} / _{-0.002}	6.252 ^{+0.004} / _{+0.000}	7.000 ^{+0.005} / _{+0.000}	6.250 ^{+0.000} / _{-0.005}	6.998 ^{+0.000} / _{-0.002}	7.000 ^{+0.004} / _{+0.000}	109.20
U37-6.25-62BPM	6-1/4	7	5/8	.688 ^{+0.015} / _{+0.000}	6.250 ^{+0.000} / _{-0.002}	6.252 ^{+0.004} / _{+0.000}	7.000 ^{+0.005} / _{+0.000}	6.250 ^{+0.000} / _{-0.005}	6.998 ^{+0.000} / _{-0.002}	7.000 ^{+0.004} / _{+0.000}	132.55
U37-7.25PM	7-1/4	8	3/8	.413 ^{+0.015} / _{+0.000}	7.250 ^{+0.000} / _{-0.002}	7.252 ^{+0.004} / _{+0.000}	8.000 ^{+0.005} / _{+0.000}	7.250 ^{+0.000} / _{-0.005}	7.998 ^{+0.000} / _{-0.002}	8.000 ^{+0.004} / _{+0.000}	122.86

STYLE 800 HIGH TEMPERATURE POLYURETHANE U-SEALS



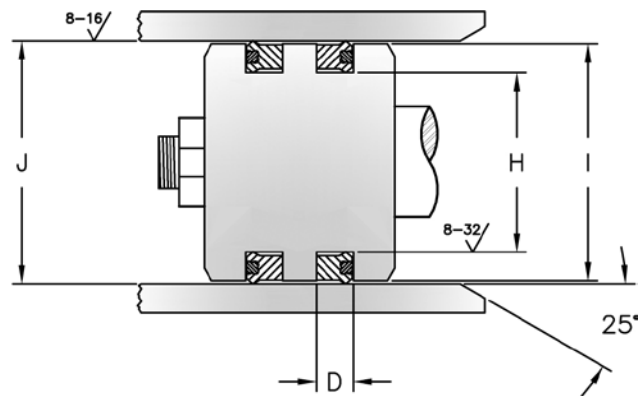
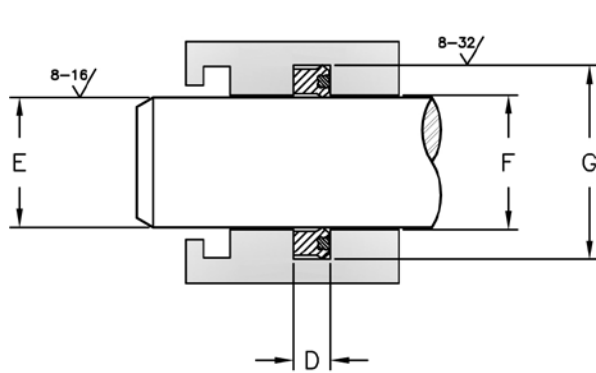
Style 800 U-seals are molded from tough, abrasion-resistant polyurethane. The four lobed expander ring energizes the sealing lips, even at zero pressure, to help prevent "weeping" when the system is idle.



SEAL INFORMATION	
MATERIAL	95A URETHANE
TEMPERATURE RANGE	-40° TO +250° F
PRESSURE RANGE	0 TO 5,000 PSI
SPEED	3 FT/SEC

HERCULES PART NUMBERS

U 12 - 1.00 - 25 BHT
 Type of Seal Section Inside Diameter Height



Standard -
 Height and cross section are equal, thus giving a square seal. Utilizes type "D" lip
 Typical Part Number U12-1.00HT



Deep -
 Utilizes the same "D" lip, but the seal height is greater than the cross section, thus giving a rectangular shape.
 Typical Part Number U12-1.00-25DHT



Type SQB -
 Same dimensions as the Standard seal. Beveled lip design provides better film breaking. Utilizes type "B" lip.
 Typical Part Number U12-1.00-SQBHT



Type B -
 Same dimensions as the Deep seal. Beveled lip design provides better film breaking. Utilizes type "B" lip.
 Typical Part Number U12-1.00-25BHT

Part Number	A Nom. ID	B Nom. OD	C Nom. Ht	D GROOVE WIDTH	E ROD DIAMETER	F THROAT DIAMETER	G HOUSING DIAMETER	H GROOVE DIAMETER	I PISTON DIAMETER	J BORE DIAMETER	List Price
1/8" C/S											
U12-1.00-SQBHT	1	1-1/4	1/8	.138 ⁺⁰¹⁵ / ₊₀₀₀	1.000 ⁺⁰⁰⁰ / ₋₀₀₁	1.001 ⁺⁰⁰² / ₊₀₀₀	1.250 ⁺⁰⁰² / ₊₀₀₀	1.000 ⁺⁰⁰⁰ / ₋₀₀₂	1.249 ⁺⁰⁰⁰ / ₋₀₀₁	1.250 ⁺⁰⁰² / ₊₀₀₀	\$11.92
U12-1.00-25BHT	1	1-1/4	1/4	.275 ⁺⁰¹⁵ / ₊₀₀₀	1.000 ⁺⁰⁰⁰ / ₋₀₀₁	1.001 ⁺⁰⁰² / ₊₀₀₀	1.250 ⁺⁰⁰² / ₊₀₀₀	1.000 ⁺⁰⁰⁰ / ₋₀₀₂	1.249 ⁺⁰⁰⁰ / ₋₀₀₁	1.250 ⁺⁰⁰² / ₊₀₀₀	13.79
U12-1.12-25BHT	1-1/8	1-3/8	1/4	.275 ⁺⁰¹⁵ / ₊₀₀₀	1.125 ⁺⁰⁰⁰ / ₋₀₀₁	1.126 ⁺⁰⁰² / ₊₀₀₀	1.375 ⁺⁰⁰² / ₊₀₀₀	1.125 ⁺⁰⁰⁰ / ₋₀₀₂	1.374 ⁺⁰⁰⁰ / ₋₀₀₁	1.375 ⁺⁰⁰² / ₊₀₀₀	14.39
U12-1.25-SQBHT	1-1/4	1-1/2	1/8	.138 ⁺⁰¹⁵ / ₊₀₀₀	1.250 ⁺⁰⁰⁰ / ₋₀₀₁	1.251 ⁺⁰⁰² / ₊₀₀₀	1.500 ⁺⁰⁰² / ₊₀₀₀	1.250 ⁺⁰⁰⁰ / ₋₀₀₂	1.499 ⁺⁰⁰⁰ / ₋₀₀₁	1.500 ⁺⁰⁰² / ₊₀₀₀	22.81
U12-1.25-25BHT	1-1/4	1-1/2	1/4	.275 ⁺⁰¹⁵ / ₊₀₀₀	1.250 ⁺⁰⁰⁰ / ₋₀₀₁	1.251 ⁺⁰⁰² / ₊₀₀₀	1.500 ⁺⁰⁰² / ₊₀₀₀	1.250 ⁺⁰⁰⁰ / ₋₀₀₂	1.499 ⁺⁰⁰⁰ / ₋₀₀₁	1.500 ⁺⁰⁰² / ₊₀₀₀	14.99
3/16" C/S											
U18-0.87-31BHT	7/8	1-1/4	5/16	.344 ⁺⁰¹⁵ / ₊₀₀₀	.875 ⁺⁰⁰⁰ / ₋₀₀₂	.876 ⁺⁰⁰² / ₊₀₀₀	1.250 ⁺⁰⁰² / ₊₀₀₀	.875 ⁺⁰⁰⁰ / ₋₀₀₂	1.249 ⁺⁰⁰⁰ / ₋₀₀₁	1.250 ⁺⁰⁰² / ₊₀₀₀	\$15.82
U18-1.00-31BHT	1	1-3/8	5/16	.344 ⁺⁰¹⁵ / ₊₀₀₀	1.000 ⁺⁰⁰⁰ / ₋₀₀₂	1.001 ⁺⁰⁰² / ₊₀₀₀	1.375 ⁺⁰⁰² / ₊₀₀₀	1.000 ⁺⁰⁰⁰ / ₋₀₀₂	1.374 ⁺⁰⁰⁰ / ₋₀₀₁	1.375 ⁺⁰⁰² / ₊₀₀₀	16.09
U18-1.12-SQBHT	1-1/8	1-1/2	3/16	.207 ⁺⁰¹⁵ / ₊₀₀₀	1.125 ⁺⁰⁰⁰ / ₋₀₀₂	1.126 ⁺⁰⁰² / ₊₀₀₀	1.500 ⁺⁰⁰² / ₊₀₀₀	1.125 ⁺⁰⁰⁰ / ₋₀₀₂	1.499 ⁺⁰⁰⁰ / ₋₀₀₁	1.500 ⁺⁰⁰² / ₊₀₀₀	13.89



STYLE 800 HIGH TEMPERATURE POLYURETHANE U-SEALS

U-SEALS

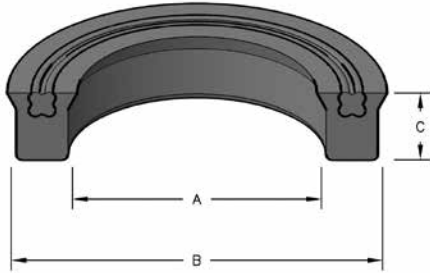
Part Number	A Nom. ID	B Nom. OD	C Nom. Ht	D GROOVE WIDTH	E ROD DIAMETER	F THROAT DIAMETER	G HOUSING DIAMETER	H GROOVE DIAMETER	I PISTON DIAMETER	J BORE DIAMETER	List Price
U18-1.25-SQBHT	1-1/4	1-5/8	3/16	.207 ⁺⁰¹⁵ / ₊₀₀₀	1.250 ⁺⁰⁰⁰ / ₋₀₀₂	1.251 ⁺⁰⁰² / ₊₀₀₀	1.625 ⁺⁰⁰² / ₊₀₀₀	1.250 ⁺⁰⁰⁰ / ₋₀₀₂	1.624 ⁺⁰⁰⁰ / ₋₀₀₁	1.625 ⁺⁰⁰² / ₊₀₀₀	14.39
U18-1.25-31BHT	1-1/4	1-5/8	5/16	.344 ⁺⁰¹⁵ / ₊₀₀₀	1.250 ⁺⁰⁰⁰ / ₋₀₀₂	1.251 ⁺⁰⁰² / ₊₀₀₀	1.625 ⁺⁰⁰² / ₊₀₀₀	1.250 ⁺⁰⁰⁰ / ₋₀₀₂	1.624 ⁺⁰⁰⁰ / ₋₀₀₁	1.625 ⁺⁰⁰² / ₊₀₀₀	15.90
U18-1.31-31BHT	1-5/16	1-11/16	5/16	.344 ⁺⁰¹⁵ / ₊₀₀₀	1.312 ⁺⁰⁰⁰ / ₋₀₀₂	1.313 ⁺⁰⁰² / ₊₀₀₀	1.688 ⁺⁰⁰² / ₊₀₀₀	1.312 ⁺⁰⁰⁰ / ₋₀₀₂	1.686 ⁺⁰⁰⁰ / ₋₀₀₁	1.688 ⁺⁰⁰² / ₊₀₀₀	16.73
U18-1.50-37BHT	1-1/2	1-7/8	3/8	.413 ⁺⁰¹⁵ / ₊₀₀₀	1.500 ⁺⁰⁰⁰ / ₋₀₀₂	1.501 ⁺⁰⁰² / ₊₀₀₀	1.875 ⁺⁰⁰² / ₊₀₀₀	1.500 ⁺⁰⁰⁰ / ₋₀₀₂	1.874 ⁺⁰⁰⁰ / ₋₀₀₁	1.875 ⁺⁰⁰² / ₊₀₀₀	17.03
U18-1.62-37BHT	1-5/8	2	3/8	.413 ⁺⁰¹⁵ / ₊₀₀₀	1.625 ⁺⁰⁰⁰ / ₋₀₀₂	1.626 ⁺⁰⁰² / ₊₀₀₀	2.000 ⁺⁰⁰² / ₊₀₀₀	1.625 ⁺⁰⁰⁰ / ₋₀₀₂	1.999 ⁺⁰⁰⁰ / ₋₀₀₁	2.000 ⁺⁰⁰² / ₊₀₀₀	28.08
U18-1.75-37BHT	1-3/4	2-1/8	3/8	.413 ⁺⁰¹⁵ / ₊₀₀₀	1.750 ⁺⁰⁰⁰ / ₋₀₀₂	1.751 ⁺⁰⁰² / ₊₀₀₀	2.125 ⁺⁰⁰² / ₊₀₀₀	1.750 ⁺⁰⁰⁰ / ₋₀₀₂	2.124 ⁺⁰⁰⁰ / ₋₀₀₁	2.125 ⁺⁰⁰² / ₊₀₀₀	19.20
U18-1.87-37BHT	1-7/8	2-1/4	3/8	.413 ⁺⁰¹⁵ / ₊₀₀₀	1.875 ⁺⁰⁰⁰ / ₋₀₀₂	1.876 ⁺⁰⁰² / ₊₀₀₀	2.250 ⁺⁰⁰² / ₊₀₀₀	1.875 ⁺⁰⁰⁰ / ₋₀₀₂	2.249 ⁺⁰⁰⁰ / ₋₀₀₁	2.250 ⁺⁰⁰² / ₊₀₀₀	20.31
1/4" C/S											
U25-1.25-SQBHT	1-1/4	1-3/4	1/4	.275 ⁺⁰¹⁵ / ₊₀₀₀	1.250 ⁺⁰⁰⁰ / ₋₀₀₂	1.251 ⁺⁰⁰³ / ₊₀₀₀	1.750 ⁺⁰⁰³ / ₊₀₀₀	1.250 ⁺⁰⁰⁰ / ₋₀₀₃	1.749 ⁺⁰⁰⁰ / ₋₀₀₂	1.750 ⁺⁰⁰³ / ₊₀₀₀	\$ 15.29
U25-1.25-37BHT	1-1/4	1-3/4	3/8	.413 ⁺⁰¹⁵ / ₊₀₀₀	1.250 ⁺⁰⁰⁰ / ₋₀₀₂	1.251 ⁺⁰⁰³ / ₊₀₀₀	1.750 ⁺⁰⁰³ / ₊₀₀₀	1.250 ⁺⁰⁰⁰ / ₋₀₀₃	1.749 ⁺⁰⁰⁰ / ₋₀₀₂	1.750 ⁺⁰⁰³ / ₊₀₀₀	16.72
U25-1.50-37BHT	1-1/2	2	3/8	.413 ⁺⁰¹⁵ / ₊₀₀₀	1.500 ⁺⁰⁰⁰ / ₋₀₀₂	1.501 ⁺⁰⁰³ / ₊₀₀₀	2.000 ⁺⁰⁰³ / ₊₀₀₀	1.500 ⁺⁰⁰⁰ / ₋₀₀₃	1.999 ⁺⁰⁰⁰ / ₋₀₀₂	2.000 ⁺⁰⁰³ / ₊₀₀₀	19.70
U25-1.75-37BHT	1-3/4	2-1/4	3/8	.413 ⁺⁰¹⁵ / ₊₀₀₀	1.750 ⁺⁰⁰⁰ / ₋₀₀₂	1.751 ⁺⁰⁰³ / ₊₀₀₀	2.250 ⁺⁰⁰³ / ₊₀₀₀	1.750 ⁺⁰⁰⁰ / ₋₀₀₃	2.249 ⁺⁰⁰⁰ / ₋₀₀₂	2.250 ⁺⁰⁰³ / ₊₀₀₀	21.57
U25-2.00-SQBHT	2	2-1/2	1/4	.275 ⁺⁰¹⁵ / ₊₀₀₀	2.000 ⁺⁰⁰⁰ / ₋₀₀₂	2.001 ⁺⁰⁰³ / ₊₀₀₀	2.500 ⁺⁰⁰³ / ₊₀₀₀	2.000 ⁺⁰⁰⁰ / ₋₀₀₃	2.499 ⁺⁰⁰⁰ / ₋₀₀₂	2.500 ⁺⁰⁰³ / ₊₀₀₀	21.61
U25-2.00-37BHT	2	2-1/2	3/8	.413 ⁺⁰¹⁵ / ₊₀₀₀	2.000 ⁺⁰⁰⁰ / ₋₀₀₂	2.001 ⁺⁰⁰³ / ₊₀₀₀	2.500 ⁺⁰⁰³ / ₊₀₀₀	2.000 ⁺⁰⁰⁰ / ₋₀₀₃	2.499 ⁺⁰⁰⁰ / ₋₀₀₂	2.500 ⁺⁰⁰³ / ₊₀₀₀	23.41
U25-2.25-37BHT	2-1/4	2-3/4	3/8	.413 ⁺⁰¹⁵ / ₊₀₀₀	2.250 ⁺⁰⁰⁰ / ₋₀₀₂	2.251 ⁺⁰⁰² / ₊₀₀₀	2.750 ⁺⁰⁰³ / ₊₀₀₀	2.250 ⁺⁰⁰⁰ / ₋₀₀₃	2.749 ⁺⁰⁰⁰ / ₋₀₀₁	2.750 ⁺⁰⁰³ / ₊₀₀₀	26.34
U25-2.50-37BHT	2-1/2	3	3/8	.413 ⁺⁰¹⁵ / ₊₀₀₀	2.500 ⁺⁰⁰⁰ / ₋₀₀₂	2.501 ⁺⁰⁰³ / ₊₀₀₀	3.000 ⁺⁰⁰³ / ₊₀₀₀	2.500 ⁺⁰⁰⁰ / ₋₀₀₃	2.999 ⁺⁰⁰⁰ / ₋₀₀₂	3.000 ⁺⁰⁰³ / ₊₀₀₀	29.00
U25-2.62-37BHT	2-5/8	3-1/8	3/8	.413 ⁺⁰¹⁵ / ₊₀₀₀	2.625 ⁺⁰⁰⁰ / ₋₀₀₂	2.626 ⁺⁰⁰³ / ₊₀₀₀	3.125 ⁺⁰⁰³ / ₊₀₀₀	2.625 ⁺⁰⁰⁰ / ₋₀₀₃	3.124 ⁺⁰⁰⁰ / ₋₀₀₂	3.125 ⁺⁰⁰³ / ₊₀₀₀	31.25
U25-3.00-SQBHT	3	3-1/2	1/4	.275 ⁺⁰¹⁵ / ₊₀₀₀	3.000 ⁺⁰⁰⁰ / ₋₀₀₂	3.001 ⁺⁰⁰³ / ₊₀₀₀	3.500 ⁺⁰⁰³ / ₊₀₀₀	3.000 ⁺⁰⁰⁰ / ₋₀₀₃	3.499 ⁺⁰⁰⁰ / ₋₀₀₂	3.500 ⁺⁰⁰³ / ₊₀₀₀	30.27
U25-3.00-37BHT	3	3-1/2	3/8	.413 ⁺⁰¹⁵ / ₊₀₀₀	3.000 ⁺⁰⁰⁰ / ₋₀₀₂	3.001 ⁺⁰⁰³ / ₊₀₀₀	3.500 ⁺⁰⁰³ / ₊₀₀₀	3.000 ⁺⁰⁰⁰ / ₋₀₀₃	3.499 ⁺⁰⁰⁰ / ₋₀₀₂	3.500 ⁺⁰⁰³ / ₊₀₀₀	34.36
U25-3.25-37BHT	3-1/4	3-3/4	3/8	.413 ⁺⁰¹⁵ / ₊₀₀₀	3.250 ⁺⁰⁰⁰ / ₋₀₀₂	3.251 ⁺⁰⁰³ / ₊₀₀₀	3.750 ⁺⁰⁰³ / ₊₀₀₀	3.250 ⁺⁰⁰⁰ / ₋₀₀₃	3.749 ⁺⁰⁰⁰ / ₋₀₀₂	3.750 ⁺⁰⁰³ / ₊₀₀₀	36.60
U25-3.50-37BHT	3-1/2	4	3/8	.413 ⁺⁰¹⁵ / ₊₀₀₀	3.500 ⁺⁰⁰⁰ / ₋₀₀₂	3.501 ⁺⁰⁰³ / ₊₀₀₀	4.000 ⁺⁰⁰³ / ₊₀₀₀	3.500 ⁺⁰⁰⁰ / ₋₀₀₃	3.999 ⁺⁰⁰⁰ / ₋₀₀₂	4.000 ⁺⁰⁰³ / ₊₀₀₀	39.64
U25-4.00-37BHT	4	4-1/2	3/8	.413 ⁺⁰¹⁵ / ₊₀₀₀	4.000 ⁺⁰⁰⁰ / ₋₀₀₂	4.001 ⁺⁰⁰³ / ₊₀₀₀	4.500 ⁺⁰⁰³ / ₊₀₀₀	4.000 ⁺⁰⁰⁰ / ₋₀₀₃	4.499 ⁺⁰⁰⁰ / ₋₀₀₂	4.500 ⁺⁰⁰³ / ₊₀₀₀	45.53

Seal color may vary. Special order sizes are available. Sizes not shown and out of stock items can also be ordered for next day delivery through Seals On Demand, our custom seal program. Please call your regional sales team for assistance.

STYLE 800 FLUOROCARBON U-SEALS



Utilizing the same profiles as the Style 800 Polyurethane U-Seal line, these u-seals are molded from a fluorocarbon compound. While being compatible with a broader range of fluids, these fluorocarbon seals will also operate continuously at temperatures from -20° to +400° F. **NOTE:** If you are not sure of fluid/seal compatibility, please refer to the fluid compatibility chart in the appendix or contact our Engineering Department.

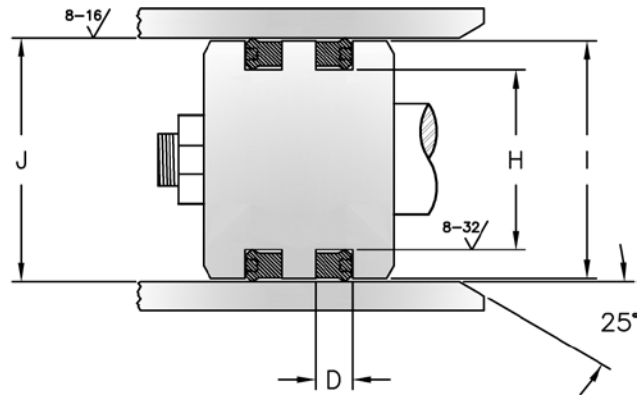
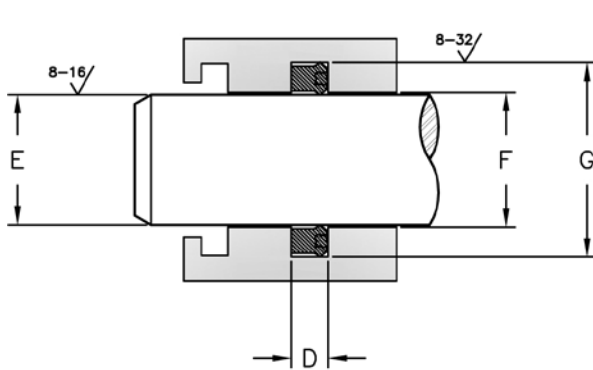


HERCULES PART NUMBERS

U 12 - 0.50 - 25BV
 Type of Seal | Cross Section | Inside Diameter | Height

V= FLUOROCARBON
 D= DEEP
 B= B-LIP

SEAL INFORMATION	
MATERIAL	95A FLUOROCARBON
TEMPERATURE RANGE	-20° TO +400° F
PRESSURE RANGE	0 TO 2,000 PSI
SPEED	3 FT/SEC



Standard -
 Height and cross section are equal, thus giving a square seal. Utilizes type "D" lip
 Typical Part Number U12-1.00HT.



Deep -
 Utilizes the same "D" lip, but the seal height is greater than the cross section, thus giving a rectangular shape.
 Typical Part Number U12-1.00-25DHT.



Type SQB -
 Same dimensions as the Standard seal. Beveled lip design provides better film breaking. Utilizes type "B" lip.
 Typical Part Number U12-0.25-SQB/V



Type B -
 Same dimensions as the Deep seal. Beveled lip design provides better film breaking. Utilizes type "B" lip.
 Typical Part Number U12-0.50-25BV

Part Number	A Nom. ID	B Nom. OD	C Nom. Ht	D GROOVE WIDTH	E ROD DIAMETER	F THROAT DIAMETER	G HOUSING DIAMETER	H GROOVE DIAMETER	I PISTON DIAMETER	J BORE DIAMETER	List Price
1/8" C/S											
U12-0.25V	1/4	1/2	1/8	.138 ^{+0.015} / _{+0.000}	.250 ^{+0.000} / _{-.001}	.251 ^{+0.002} / _{+0.000}	.500 ^{+0.002} / _{+0.000}	.250 ^{+0.000} / _{-.002}	.499 ^{+0.000} / _{-.001}	.500 ^{+0.002} / _{+0.000}	\$26.71
U12-0.31V	5/16	9/16	1/8	.138 ^{+0.015} / _{+0.000}	.312 ^{+0.000} / _{-.001}	.313 ^{+0.002} / _{+0.000}	.563 ^{+0.002} / _{+0.000}	.312 ^{+0.000} / _{-.002}	.562 ^{+0.000} / _{-.001}	.563 ^{+0.002} / _{+0.000}	26.71
U12-0.37V	3/8	5/8	1/8	.138 ^{+0.015} / _{+0.000}	.375 ^{+0.000} / _{-.001}	.376 ^{+0.002} / _{+0.000}	.625 ^{+0.002} / _{+0.000}	.375 ^{+0.000} / _{-.002}	.624 ^{+0.000} / _{-.001}	.625 ^{+0.002} / _{+0.000}	26.71
U12-0.50V	1/2	3/4	1/8	.138 ^{+0.015} / _{+0.000}	.500 ^{+0.000} / _{-.001}	.501 ^{+0.002} / _{+0.000}	.750 ^{+0.002} / _{+0.000}	.500 ^{+0.000} / _{-.002}	.749 ^{+0.000} / _{-.001}	.750 ^{+0.002} / _{+0.000}	26.71
U12-0.50-25BV	1/2	3/4	1/4	.275 ^{+0.015} / _{+0.000}	.500 ^{+0.000} / _{-.001}	.501 ^{+0.002} / _{+0.000}	.750 ^{+0.002} / _{+0.000}	.500 ^{+0.000} / _{-.002}	.749 ^{+0.000} / _{-.001}	.750 ^{+0.002} / _{+0.000}	28.33
U12-0.62V	5/8	7/8	1/8	.138 ^{+0.015} / _{+0.000}	.625 ^{+0.000} / _{-.001}	.626 ^{+0.002} / _{+0.000}	.875 ^{+0.002} / _{+0.000}	.625 ^{+0.000} / _{-.002}	.874 ^{+0.000} / _{-.001}	.875 ^{+0.002} / _{+0.000}	26.71
U12-0.62-25BV	5/8	7/8	1/4	.275 ^{+0.015} / _{+0.000}	.625 ^{+0.000} / _{-.001}	.626 ^{+0.002} / _{+0.000}	.875 ^{+0.002} / _{+0.000}	.625 ^{+0.000} / _{-.002}	.874 ^{+0.000} / _{-.001}	.875 ^{+0.002} / _{+0.000}	29.38
U12-0.75V	3/4	1	1/8	.138 ^{+0.015} / _{+0.000}	.750 ^{+0.000} / _{-.001}	.751 ^{+0.002} / _{+0.000}	1.000 ^{+0.002} / _{+0.000}	.750 ^{+0.000} / _{-.002}	.999 ^{+0.000} / _{-.001}	1.000 ^{+0.002} / _{+0.000}	26.71

STYLE 800 FLUOROCARBON U-SEALS

U-SEALS

Part Number	A Nom. ID	B Nom. OD	C Nom. Ht	D GROOVE WIDTH	E ROD DIAMETER	F THROAT DIAMETER	G HOUSING DIAMETER	H GROOVE DIAMETER	I PISTON DIAMETER	J BORE DIAMETER	List Price
U12-0.75-25BV	3/4	1	1/4	.275 ^{+0.015} / _{+0.000}	.750 ^{+0.000} / _{-.001}	.751 ^{+0.002} / _{+0.000}	1.000 ^{+0.002} / _{+0.000}	.750 ^{+0.000} / _{-.002}	.999 ^{+0.000} / _{-.001}	1.000 ^{+0.002} / _{+0.000}	30.44
U12-0.87V	7/8	1-1/8	1/8	.138 ^{+0.015} / _{+0.000}	.875 ^{+0.000} / _{-.001}	.876 ^{+0.002} / _{+0.000}	1.125 ^{+0.002} / _{+0.000}	.875 ^{+0.000} / _{-.002}	1.124 ^{+0.000} / _{-.001}	1.125 ^{+0.002} / _{+0.000}	29.70
U12-1.00V	1	1-1/4	1/8	.138 ^{+0.015} / _{+0.000}	1.000 ^{+0.000} / _{-.001}	1.001 ^{+0.002} / _{+0.000}	1.250 ^{+0.002} / _{+0.000}	1.000 ^{+0.000} / _{-.002}	1.249 ^{+0.000} / _{-.001}	1.250 ^{+0.002} / _{+0.000}	29.70
U12-1.00-25BV	1	1-1/4	1/4	.275 ^{+0.015} / _{+0.000}	1.000 ^{+0.000} / _{-.001}	1.001 ^{+0.002} / _{+0.000}	1.250 ^{+0.002} / _{+0.000}	1.000 ^{+0.000} / _{-.002}	1.249 ^{+0.000} / _{-.001}	1.250 ^{+0.002} / _{+0.000}	32.96
U12-1.25V	1-1/4	1-1/2	1/8	.138 ^{+0.015} / _{+0.000}	1.250 ^{+0.000} / _{-.001}	1.251 ^{+0.002} / _{+0.000}	1.500 ^{+0.002} / _{+0.000}	1.250 ^{+0.000} / _{-.002}	1.499 ^{+0.000} / _{-.001}	1.500 ^{+0.002} / _{+0.000}	32.23
U12-1.25-25BV	1-1/4	1-1/2	1/4	.275 ^{+0.015} / _{+0.000}	1.250 ^{+0.000} / _{-.001}	1.251 ^{+0.002} / _{+0.000}	1.500 ^{+0.002} / _{+0.000}	1.250 ^{+0.000} / _{-.002}	1.499 ^{+0.000} / _{-.001}	1.500 ^{+0.002} / _{+0.000}	35.39
U12-1.37V	1-3/8	1-5/8	1/8	.138 ^{+0.015} / _{+0.000}	1.375 ^{+0.000} / _{-.001}	1.376 ^{+0.002} / _{+0.000}	1.625 ^{+0.002} / _{+0.000}	1.375 ^{+0.000} / _{-.002}	1.624 ^{+0.000} / _{-.001}	1.625 ^{+0.002} / _{+0.000}	32.23
U12-1.37-25DV	1-3/8	1-5/8	1/4	.275 ^{+0.015} / _{+0.000}	1.375 ^{+0.000} / _{-.001}	1.376 ^{+0.002} / _{+0.000}	1.625 ^{+0.002} / _{+0.000}	1.375 ^{+0.000} / _{-.002}	1.624 ^{+0.000} / _{-.001}	1.625 ^{+0.002} / _{+0.000}	46.64
U12-1.50V	1-1/2	1-3/4	1/8	.138 ^{+0.015} / _{+0.000}	1.500 ^{+0.000} / _{-.001}	1.501 ^{+0.002} / _{+0.000}	1.750 ^{+0.002} / _{+0.000}	1.500 ^{+0.000} / _{-.002}	1.749 ^{+0.000} / _{-.001}	1.750 ^{+0.002} / _{+0.000}	34.54
U12-1.50-25BV	1-1/2	1-3/4	1/4	.275 ^{+0.015} / _{+0.000}	1.500 ^{+0.000} / _{-.001}	1.501 ^{+0.002} / _{+0.000}	1.750 ^{+0.002} / _{+0.000}	1.500 ^{+0.000} / _{-.002}	1.749 ^{+0.000} / _{-.001}	1.750 ^{+0.002} / _{+0.000}	39.18
U12-1.75V	1-3/4	2	1/8	.138 ^{+0.015} / _{+0.000}	1.750 ^{+0.000} / _{-.001}	1.751 ^{+0.002} / _{+0.000}	2.000 ^{+0.002} / _{+0.000}	1.750 ^{+0.000} / _{-.002}	1.999 ^{+0.000} / _{-.001}	2.000 ^{+0.002} / _{+0.000}	38.71
U12-2.00V	2	2-1/4	1/8	.138 ^{+0.015} / _{+0.000}	2.000 ^{+0.000} / _{-.001}	2.001 ^{+0.002} / _{+0.000}	2.250 ^{+0.002} / _{+0.000}	2.000 ^{+0.000} / _{-.002}	2.249 ^{+0.000} / _{-.001}	2.250 ^{+0.002} / _{+0.000}	42.28
5/32" C/S											
U15-1.00V	1	1-5/16	5/32	.172 ^{+0.015} / _{+0.000}	1.000 ^{+0.000} / _{-.002}	1.001 ^{+0.002} / _{+0.000}	1.313 ^{+0.002} / _{+0.000}	1.000 ^{+0.000} / _{-.002}	1.311 ^{+0.000} / _{-.001}	1.313 ^{+0.002} / _{+0.000}	\$34.74
U15-1.18V	1-3/16	1-1/2	5/32	.172 ^{+0.015} / _{+0.000}	1.187 ^{+0.000} / _{-.002}	1.188 ^{+0.002} / _{+0.000}	1.500 ^{+0.002} / _{+0.000}	1.187 ^{+0.000} / _{-.002}	1.499 ^{+0.000} / _{-.001}	1.500 ^{+0.002} / _{+0.000}	36.78
U15-1.37V	1-3/8	1-11/16	5/32	.172 ^{+0.015} / _{+0.000}	1.375 ^{+0.000} / _{-.002}	1.376 ^{+0.002} / _{+0.000}	1.688 ^{+0.002} / _{+0.000}	1.375 ^{+0.000} / _{-.002}	1.686 ^{+0.000} / _{-.001}	1.688 ^{+0.002} / _{+0.000}	39.18
3/16" C/S											
U18-0.50-31BV	1/2	7/8	5/16	.344 ^{+0.015} / _{+0.000}	.500 ^{+0.000} / _{-.002}	.501 ^{+0.002} / _{+0.000}	.875 ^{+0.002} / _{+0.000}	.500 ^{+0.000} / _{-.002}	.874 ^{+0.000} / _{-.002}	.875 ^{+0.002} / _{+0.000}	\$48.11
U18-0.62V	5/8	1	3/16	.207 ^{+0.015} / _{+0.000}	.625 ^{+0.000} / _{-.002}	.626 ^{+0.002} / _{+0.000}	1.000 ^{+0.002} / _{+0.000}	.625 ^{+0.000} / _{-.002}	.999 ^{+0.000} / _{-.002}	1.000 ^{+0.002} / _{+0.000}	29.70
U18-0.62-31BV	5/8	1	5/16	.344 ^{+0.015} / _{+0.000}	.625 ^{+0.000} / _{-.002}	.626 ^{+0.002} / _{+0.000}	1.000 ^{+0.002} / _{+0.000}	.625 ^{+0.000} / _{-.002}	.999 ^{+0.000} / _{-.002}	1.000 ^{+0.002} / _{+0.000}	30.75
U18-0.75-31BV	3/4	1-1/8	5/16	.344 ^{+0.015} / _{+0.000}	.750 ^{+0.000} / _{-.002}	.751 ^{+0.002} / _{+0.000}	1.125 ^{+0.002} / _{+0.000}	.750 ^{+0.000} / _{-.002}	1.124 ^{+0.000} / _{-.002}	1.125 ^{+0.002} / _{+0.000}	33.23
U18-1.00V	1	1-3/8	3/16	.207 ^{+0.015} / _{+0.000}	1.000 ^{+0.000} / _{-.002}	1.001 ^{+0.002} / _{+0.000}	1.375 ^{+0.002} / _{+0.000}	1.000 ^{+0.000} / _{-.002}	1.374 ^{+0.000} / _{-.002}	1.375 ^{+0.002} / _{+0.000}	33.12
U18-1.00-31BV	1	1-3/8	5/16	.344 ^{+0.015} / _{+0.000}	1.000 ^{+0.000} / _{-.002}	1.001 ^{+0.002} / _{+0.000}	1.375 ^{+0.002} / _{+0.000}	1.000 ^{+0.000} / _{-.002}	1.374 ^{+0.000} / _{-.002}	1.375 ^{+0.002} / _{+0.000}	35.16
U18-1.12V	1-1/8	1-1/2	3/16	.207 ^{+0.015} / _{+0.000}	1.125 ^{+0.000} / _{-.002}	1.126 ^{+0.002} / _{+0.000}	1.500 ^{+0.002} / _{+0.000}	1.125 ^{+0.000} / _{-.002}	1.499 ^{+0.000} / _{-.002}	1.500 ^{+0.002} / _{+0.000}	36.34
U18-1.12-31BV	1-1/8	1-1/2	5/16	.344 ^{+0.015} / _{+0.000}	1.125 ^{+0.000} / _{-.002}	1.126 ^{+0.002} / _{+0.000}	1.500 ^{+0.002} / _{+0.000}	1.125 ^{+0.000} / _{-.002}	1.499 ^{+0.000} / _{-.002}	1.500 ^{+0.002} / _{+0.000}	36.71
U18-1.12-37BV	1-1/8	1-1/2	3/8	.413 ^{+0.015} / _{+0.000}	1.125 ^{+0.000} / _{-.002}	1.126 ^{+0.002} / _{+0.000}	1.500 ^{+0.002} / _{+0.000}	1.125 ^{+0.000} / _{-.002}	1.499 ^{+0.000} / _{-.002}	1.500 ^{+0.002} / _{+0.000}	32.32
U18-1.25V	1-1/4	1-5/8	3/16	.207 ^{+0.015} / _{+0.000}	1.250 ^{+0.000} / _{-.002}	1.251 ^{+0.002} / _{+0.000}	1.625 ^{+0.002} / _{+0.000}	1.250 ^{+0.000} / _{-.002}	1.624 ^{+0.000} / _{-.002}	1.625 ^{+0.002} / _{+0.000}	36.34
U18-1.25-31BV	1-1/4	1-5/8	5/16	.344 ^{+0.015} / _{+0.000}	1.250 ^{+0.000} / _{-.002}	1.251 ^{+0.002} / _{+0.000}	1.625 ^{+0.002} / _{+0.000}	1.250 ^{+0.000} / _{-.002}	1.624 ^{+0.000} / _{-.002}	1.625 ^{+0.002} / _{+0.000}	37.70
U18-1.37V	1-3/8	1-3/4	3/16	.207 ^{+0.015} / _{+0.000}	1.375 ^{+0.000} / _{-.002}	1.376 ^{+0.002} / _{+0.000}	1.750 ^{+0.002} / _{+0.000}	1.375 ^{+0.000} / _{-.002}	1.749 ^{+0.000} / _{-.002}	1.750 ^{+0.002} / _{+0.000}	39.18
U18-1.37-25BV	1-3/8	1-3/4	1/4	.275 ^{+0.015} / _{+0.000}	1.375 ^{+0.000} / _{-.002}	1.376 ^{+0.002} / _{+0.000}	1.750 ^{+0.002} / _{+0.000}	1.375 ^{+0.000} / _{-.002}	1.749 ^{+0.000} / _{-.002}	1.750 ^{+0.002} / _{+0.000}	41.70
U18-1.37-31BV	1-3/8	1-3/4	5/16	.344 ^{+0.015} / _{+0.000}	1.375 ^{+0.000} / _{-.002}	1.376 ^{+0.002} / _{+0.000}	1.750 ^{+0.002} / _{+0.000}	1.375 ^{+0.000} / _{-.002}	1.749 ^{+0.000} / _{-.002}	1.750 ^{+0.002} / _{+0.000}	39.67
U18-1.50V	1-1/2	1-7/8	3/16	.207 ^{+0.015} / _{+0.000}	1.500 ^{+0.000} / _{-.002}	1.501 ^{+0.002} / _{+0.000}	1.875 ^{+0.002} / _{+0.000}	1.500 ^{+0.000} / _{-.002}	1.874 ^{+0.000} / _{-.002}	1.875 ^{+0.002} / _{+0.000}	38.31
U18-1.50-25BV	1-1/2	1-7/8	1/4	.275 ^{+0.015} / _{+0.000}	1.500 ^{+0.000} / _{-.002}	1.501 ^{+0.002} / _{+0.000}	1.875 ^{+0.002} / _{+0.000}	1.500 ^{+0.000} / _{-.002}	1.874 ^{+0.000} / _{-.002}	1.875 ^{+0.002} / _{+0.000}	42.02

STYLE 800 FLUOROCARBON U-SEALS



U-SEALS

Part Number	A Nom. ID	B Nom. OD	C Nom. Ht	D GROOVE WIDTH	E ROD DIAMETER	F THROAT DIAMETER	G HOUSING DIAMETER	H GROOVE DIAMETER	I PISTON DIAMETER	J BORE DIAMETER	List Price
U18-1.50-37BV	1-1/2	1-7/8	3/8	.413 +.015 +0.000	1.500 +.000 -.002	1.501 +.002 +0.000	1.875 +.002 +0.000	1.500 +.000 -.002	1.874 +.000 -.002	1.875 +.002 +0.000	41.70
U18-1.62V	1-5/8	2	3/16	.207 +.015 +0.000	1.625 +.000 -.002	1.626 +.002 +0.000	2.000 +.002 +0.000	1.625 +.000 -.002	1.999 +.000 -.002	2.000 +.002 +0.000	39.89
U18-1.62-37BV	1-5/8	2	3/8	.413 +.015 +0.000	1.625 +.000 -.002	1.626 +.002 +0.000	2.000 +.002 +0.000	1.625 +.000 -.002	1.999 +.000 -.002	2.000 +.002 +0.000	43.16
U18-1.75V	1-3/4	2-1/8	3/16	.207 +.015 +0.000	1.750 +.000 -.002	1.751 +.002 +0.000	2.125 +.002 +0.000	1.750 +.000 -.002	2.124 +.000 -.002	2.125 +.002 +0.000	40.69
U18-1.75-31BV	1-3/4	2-1/8	5/16	.344 +.015 +0.000	1.750 +.000 -.002	1.751 +.002 +0.000	2.125 +.002 +0.000	1.750 +.000 -.002	2.124 +.000 -.002	2.125 +.002 +0.000	47.57
U18-1.75-37BV	1-3/4	2-1/8	3/8	.413 +.015 +0.000	1.750 +.000 -.002	1.751 +.002 +0.000	2.125 +.002 +0.000	1.750 +.000 -.002	2.124 +.000 -.002	2.125 +.002 +0.000	45.70
U18-2.00V	2	2-3/8	3/16	.207 +.015 +0.000	2.000 +.000 -.002	2.001 +.002 +0.000	2.375 +.002 +0.000	2.000 +.000 -.002	2.374 +.000 -.002	2.375 +.002 +0.000	42.40
U18-2.00-37BV	2	2-3/8	3/8	.413 +.015 +0.000	2.000 +.000 -.002	2.001 +.002 +0.000	2.375 +.002 +0.000	2.000 +.000 -.002	2.374 +.000 -.002	2.375 +.002 +0.000	50.86
U18-2.12V	2-1/8	2-1/2	3/16	.207 +.015 +0.000	2.125 +.000 -.002	2.126 +.002 +0.000	2.500 +.002 +0.000	2.125 +.000 -.002	2.499 +.000 -.002	2.500 +.002 +0.000	41.83
U18-2.12-37BV	2-1/8	2-1/2	3/8	.413 +.015 +0.000	2.125 +.000 -.002	2.126 +.002 +0.000	2.500 +.002 +0.000	2.125 +.000 -.002	2.499 +.000 -.002	2.500 +.002 +0.000	52.80
U18-2.25V	2-1/4	2-5/8	3/16	.207 +.015 +0.000	2.250 +.000 -.002	2.251 +.002 +0.000	2.625 +.002 +0.000	2.250 +.000 -.002	2.624 +.000 -.002	2.625 +.002 +0.000	46.73
U18-2.50V	2-1/2	2-7/8	3/16	.207 +.015 +0.000	2.500 +.000 -.002	2.501 +.002 +0.000	2.875 +.002 +0.000	2.500 +.000 -.002	2.874 +.000 -.002	2.875 +.002 +0.000	48.38
U18-2.50-25DV	2-1/2	2-7/8	1/4	.275 +.015 +0.000	2.500 +.000 -.002	2.501 +.002 +0.000	2.875 +.002 +0.000	2.500 +.000 -.002	2.874 +.000 -.002	2.875 +.002 +0.000	68.80
U18-2.50-37BV	2-1/2	2-7/8	3/8	.413 +.015 +0.000	2.500 +.000 -.002	2.501 +.002 +0.000	2.875 +.002 +0.000	2.500 +.000 -.002	2.874 +.000 -.002	2.875 +.002 +0.000	61.44
U18-2.62V	2-5/8	3	3/16	.207 +.015 +0.000	2.625 +.000 -.002	2.626 +.002 +0.000	3.000 +.002 +0.000	2.625 +.000 -.002	2.999 +.000 -.002	3.000 +.002 +0.000	48.21
U18-2.62-37BV	2-5/8	3	3/8	.413 +.015 +0.000	2.625 +.000 -.002	2.626 +.002 +0.000	3.000 +.002 +0.000	2.625 +.000 -.002	2.999 +.000 -.002	3.000 +.002 +0.000	63.97
U18-2.75V	2-3/4	3-1/8	3/16	.207 +.015 +0.000	2.750 +.000 -.002	2.751 +.002 +0.000	3.125 +.002 +0.000	2.750 +.000 -.002	3.124 +.000 -.002	3.125 +.002 +0.000	61.86
U18-2.87V	2-7/8	3-1/4	3/16	.207 +.015 +0.000	2.875 +.000 -.002	2.876 +.002 +0.000	3.250 +.002 +0.000	2.875 +.000 -.002	3.249 +.000 -.002	3.250 +.002 +0.000	49.75
U18-3.00V	3	3-3/8	3/16	.207 +.015 +0.000	3.000 +.000 -.002	3.001 +.002 +0.000	3.375 +.002 +0.000	3.000 +.000 -.002	3.374 +.000 -.002	3.375 +.002 +0.000	56.12
U18-3.00-37BV	3	3-3/8	3/8	.413 +.015 +0.000	3.000 +.000 -.002	3.001 +.002 +0.000	3.375 +.002 +0.000	3.000 +.000 -.002	3.374 +.000 -.002	3.375 +.002 +0.000	78.10
U18-3.25-37BV	3-1/4	3-5/8	3/8	.413 +.015 +0.000	3.250 +.000 -.002	3.251 +.002 +0.000	3.625 +.002 +0.000	3.250 +.000 -.002	3.624 +.000 -.002	3.625 +.002 +0.000	87.82
U18-3.50-37BV	3-1/2	3-7/8	3/8	.413 +.015 +0.000	3.500 +.000 -.002	3.501 +.002 +0.000	3.875 +.002 +0.000	3.500 +.000 -.002	3.874 +.000 -.002	3.875 +.002 +0.000	88.60
U18-3.62V	3-5/8	4	3/16	.207 +.015 +0.000	3.625 +.000 -.002	3.626 +.002 +0.000	4.000 +.002 +0.000	3.625 +.000 -.002	3.999 +.000 -.002	4.000 +.002 +0.000	69.30
7/32" C/S											
U21-2.81V	2-13/16	3-1/4	7/32	.241 +.015 +0.000	2.812 +.000 -.002	2.813 +.002 +0.000	3.250 +.002 +0.000	2.812 +.000 -.002	3.249 +.000 -.002	3.250 +.002 +0.000	\$77.53
1/4" C/S											
U25-0.62V	5/8	1-1/8	1/4	.275 +.015 +0.000	.625 +.000 -.002	.626 +.003 +0.000	1.125 +.003 +0.000	.625 +.000 -.003	1.124 +.000 -.002	1.125 +.003 +0.000	\$35.20
U25-0.75-37BV	3/4	1-1/4	3/8	.413 +.015 +0.000	.750 +.000 -.002	.751 +.003 +0.000	1.250 +.003 +0.000	.750 +.000 -.003	1.249 +.000 -.002	1.250 +.003 +0.000	38.17
U25-1.00V	1	1-1/2	1/4	.275 +.015 +0.000	1.000 +.000 -.002	1.001 +.003 +0.000	1.500 +.003 +0.000	1.000 +.000 -.003	1.499 +.000 -.002	1.500 +.003 +0.000	34.76
U25-1.00-37BV	1	1-1/2	3/8	.413 +.015 +0.000	1.000 +.000 -.002	1.001 +.003 +0.000	1.500 +.003 +0.000	1.000 +.000 -.003	1.499 +.000 -.002	1.500 +.003 +0.000	34.09
U25-1.12V	1-1/8	1-5/8	1/4	.275 +.015 +0.000	1.125 +.000 -.002	1.126 +.003 +0.000	1.625 +.003 +0.000	1.125 +.000 -.003	1.624 +.000 -.002	1.625 +.003 +0.000	35.56
U25-1.12-37BV	1-1/8	1-5/8	3/8	.413 +.015 +0.000	1.125 +.000 -.002	1.126 +.003 +0.000	1.625 +.003 +0.000	1.125 +.000 -.003	1.624 +.000 -.002	1.625 +.003 +0.000	41.29
U25-1.25V	1-1/4	1-3/4	1/4	.275 +.015 +0.000	1.250 +.000 -.002	1.251 +.003 +0.000	1.750 +.003 +0.000	1.250 +.000 -.003	1.749 +.000 -.002	1.750 +.003 +0.000	36.34



STYLE 800 FLUOROCARBON U-SEALS

U-SEALS

Part Number	A Nom. ID	B Nom. OD	C Nom. Ht	D GROOVE WIDTH	E ROD DIAMETER	F THROAT DIAMETER	G HOUSING DIAMETER	H GROOVE DIAMETER	I PISTON DIAMETER	J BORE DIAMETER	List Price
U25-1.25-37BV	1-1/4	1-3/4	3/8	.413 ^{+0.015} / _{+0.000}	1.250 ^{+0.000} / _{-.002}	1.251 ^{+0.003} / _{+0.000}	1.750 ^{+0.003} / _{+0.000}	1.250 ^{+0.000} / _{-.003}	1.749 ^{+0.000} / _{-.002}	1.750 ^{+0.003} / _{+0.000}	41.29
U25-1.37V	1-3/8	1-7/8	1/4	.275 ^{+0.015} / _{+0.000}	1.375 ^{+0.000} / _{-.002}	1.376 ^{+0.003} / _{+0.000}	1.875 ^{+0.003} / _{+0.000}	1.375 ^{+0.000} / _{-.003}	1.874 ^{+0.000} / _{-.002}	1.875 ^{+0.003} / _{+0.000}	44.39
U25-1.37-37BV	1-3/8	1-7/8	3/8	.413 ^{+0.015} / _{+0.000}	1.375 ^{+0.000} / _{-.002}	1.376 ^{+0.003} / _{+0.000}	1.875 ^{+0.003} / _{+0.000}	1.375 ^{+0.000} / _{-.003}	1.874 ^{+0.000} / _{-.002}	1.875 ^{+0.003} / _{+0.000}	46.98
U25-1.50V	1-1/2	2	1/4	.275 ^{+0.015} / _{+0.000}	1.500 ^{+0.000} / _{-.002}	1.501 ^{+0.003} / _{+0.000}	2.000 ^{+0.003} / _{+0.000}	1.500 ^{+0.000} / _{-.003}	1.999 ^{+0.000} / _{-.002}	2.000 ^{+0.003} / _{+0.000}	41.29
U25-1.50-37BV	1-1/2	2	3/8	.413 ^{+0.015} / _{+0.000}	1.500 ^{+0.000} / _{-.002}	1.501 ^{+0.003} / _{+0.000}	2.000 ^{+0.003} / _{+0.000}	1.500 ^{+0.000} / _{-.003}	1.999 ^{+0.000} / _{-.002}	2.000 ^{+0.003} / _{+0.000}	46.45
U25-1.75V	1-3/4	2-1/4	1/4	.275 ^{+0.015} / _{+0.000}	1.750 ^{+0.000} / _{-.002}	1.751 ^{+0.003} / _{+0.000}	2.250 ^{+0.003} / _{+0.000}	1.750 ^{+0.000} / _{-.003}	2.249 ^{+0.000} / _{-.002}	2.250 ^{+0.003} / _{+0.000}	46.14
U25-1.75-37BV	1-3/4	2-1/4	3/8	.413 ^{+0.015} / _{+0.000}	1.750 ^{+0.000} / _{-.002}	1.751 ^{+0.003} / _{+0.000}	2.250 ^{+0.003} / _{+0.000}	1.750 ^{+0.000} / _{-.003}	2.249 ^{+0.000} / _{-.002}	2.250 ^{+0.003} / _{+0.000}	51.22
U25-2.00V	2	2-1/2	1/4	.275 ^{+0.015} / _{+0.000}	2.000 ^{+0.000} / _{-.002}	2.001 ^{+0.003} / _{+0.000}	2.500 ^{+0.003} / _{+0.000}	2.000 ^{+0.000} / _{-.003}	2.499 ^{+0.000} / _{-.002}	2.500 ^{+0.003} / _{+0.000}	51.22
U25-2.00-37BV	2	2-1/2	3/8	.413 ^{+0.015} / _{+0.000}	2.000 ^{+0.000} / _{-.002}	2.001 ^{+0.003} / _{+0.000}	2.500 ^{+0.003} / _{+0.000}	2.000 ^{+0.000} / _{-.003}	2.499 ^{+0.000} / _{-.002}	2.500 ^{+0.003} / _{+0.000}	54.68
U25-2.00-37DV	2	2-1/2	3/8	.413 ^{+0.015} / _{+0.000}	2.000 ^{+0.000} / _{-.002}	2.001 ^{+0.003} / _{+0.000}	2.500 ^{+0.003} / _{+0.000}	2.000 ^{+0.000} / _{-.003}	2.499 ^{+0.000} / _{-.002}	2.500 ^{+0.003} / _{+0.000}	55.78
U25-2.25V	2-1/4	2-3/4	1/4	.275 ^{+0.015} / _{+0.000}	2.250 ^{+0.000} / _{-.002}	2.251 ^{+0.003} / _{+0.000}	2.750 ^{+0.003} / _{+0.000}	2.250 ^{+0.000} / _{-.003}	2.749 ^{+0.000} / _{-.002}	2.750 ^{+0.003} / _{+0.000}	62.04
U25-2.25-37BV	2-1/4	2-3/4	3/8	.413 ^{+0.015} / _{+0.000}	2.250 ^{+0.000} / _{-.002}	2.251 ^{+0.003} / _{+0.000}	2.750 ^{+0.003} / _{+0.000}	2.250 ^{+0.000} / _{-.003}	2.749 ^{+0.000} / _{-.002}	2.750 ^{+0.003} / _{+0.000}	62.77
U25-2.50V	2-1/2	3	1/4	.275 ^{+0.015} / _{+0.000}	2.500 ^{+0.000} / _{-.002}	2.501 ^{+0.003} / _{+0.000}	3.000 ^{+0.003} / _{+0.000}	2.500 ^{+0.000} / _{-.003}	2.999 ^{+0.000} / _{-.002}	3.000 ^{+0.003} / _{+0.000}	57.45
U25-2.50-37BV	2-1/2	3	3/8	.413 ^{+0.015} / _{+0.000}	2.500 ^{+0.000} / _{-.002}	2.501 ^{+0.003} / _{+0.000}	3.000 ^{+0.003} / _{+0.000}	2.500 ^{+0.000} / _{-.003}	2.999 ^{+0.000} / _{-.002}	3.000 ^{+0.003} / _{+0.000}	68.99
U25-2.50-37DV	2-1/2	3	3/8	.413 ^{+0.015} / _{+0.000}	2.500 ^{+0.000} / _{-.002}	2.501 ^{+0.003} / _{+0.000}	3.000 ^{+0.003} / _{+0.000}	2.500 ^{+0.000} / _{-.003}	2.999 ^{+0.000} / _{-.002}	3.000 ^{+0.003} / _{+0.000}	74.25
U25-2.62-37BV	2-5/8	3-1/8	3/8	.413 ^{+0.015} / _{+0.000}	2.625 ^{+0.000} / _{-.002}	2.626 ^{+0.003} / _{+0.000}	3.125 ^{+0.003} / _{+0.000}	2.625 ^{+0.000} / _{-.003}	3.124 ^{+0.000} / _{-.002}	3.125 ^{+0.003} / _{+0.000}	72.13
U25-2.75V	2-3/4	3-1/4	1/4	.275 ^{+0.015} / _{+0.000}	2.750 ^{+0.000} / _{-.002}	2.751 ^{+0.003} / _{+0.000}	3.250 ^{+0.003} / _{+0.000}	2.750 ^{+0.000} / _{-.003}	3.249 ^{+0.000} / _{-.002}	3.250 ^{+0.003} / _{+0.000}	66.96
U25-2.75-37BV	2-3/4	3-1/4	3/8	.413 ^{+0.015} / _{+0.000}	2.750 ^{+0.000} / _{-.002}	2.751 ^{+0.003} / _{+0.000}	3.250 ^{+0.003} / _{+0.000}	2.750 ^{+0.000} / _{-.003}	3.249 ^{+0.000} / _{-.002}	3.250 ^{+0.003} / _{+0.000}	75.78
U25-3.00V	3	3-1/2	1/4	.275 ^{+0.015} / _{+0.000}	3.000 ^{+0.000} / _{-.002}	3.001 ^{+0.003} / _{+0.000}	3.500 ^{+0.003} / _{+0.000}	3.000 ^{+0.000} / _{-.003}	3.499 ^{+0.000} / _{-.002}	3.500 ^{+0.003} / _{+0.000}	72.13
U25-3.00-37BV	3	3-1/2	3/8	.413 ^{+0.015} / _{+0.000}	3.000 ^{+0.000} / _{-.002}	3.001 ^{+0.003} / _{+0.000}	3.500 ^{+0.003} / _{+0.000}	3.000 ^{+0.000} / _{-.003}	3.499 ^{+0.000} / _{-.002}	3.500 ^{+0.003} / _{+0.000}	81.48
U25-3.25V	3-1/4	3-3/4	1/4	.275 ^{+0.015} / _{+0.000}	3.250 ^{+0.000} / _{-.002}	3.251 ^{+0.003} / _{+0.000}	3.750 ^{+0.003} / _{+0.000}	3.250 ^{+0.000} / _{-.003}	3.749 ^{+0.000} / _{-.002}	3.750 ^{+0.003} / _{+0.000}	88.01
U25-3.25-37BV	3-1/4	3-3/4	3/8	.413 ^{+0.015} / _{+0.000}	3.250 ^{+0.000} / _{-.002}	3.251 ^{+0.003} / _{+0.000}	3.750 ^{+0.003} / _{+0.000}	3.250 ^{+0.000} / _{-.003}	3.749 ^{+0.000} / _{-.002}	3.750 ^{+0.003} / _{+0.000}	87.10
U25-3.50V	3-1/2	4	1/4	.275 ^{+0.015} / _{+0.000}	3.500 ^{+0.000} / _{-.002}	3.501 ^{+0.003} / _{+0.000}	4.000 ^{+0.003} / _{+0.000}	3.500 ^{+0.000} / _{-.003}	3.999 ^{+0.000} / _{-.002}	4.000 ^{+0.003} / _{+0.000}	86.80
U25-3.50-37BV	3-1/2	4	3/8	.413 ^{+0.015} / _{+0.000}	3.500 ^{+0.000} / _{-.002}	3.501 ^{+0.003} / _{+0.000}	4.000 ^{+0.003} / _{+0.000}	3.500 ^{+0.000} / _{-.003}	3.999 ^{+0.000} / _{-.002}	4.000 ^{+0.003} / _{+0.000}	94.11
U25-3.50-37DV	3-1/2	4	3/8	.413 ^{+0.015} / _{+0.000}	3.500 ^{+0.000} / _{-.002}	3.501 ^{+0.003} / _{+0.000}	4.000 ^{+0.003} / _{+0.000}	3.500 ^{+0.000} / _{-.003}	3.999 ^{+0.000} / _{-.002}	4.000 ^{+0.003} / _{+0.000}	95.40
U25-4.00V	4	4-1/2	1/4	.275 ^{+0.015} / _{+0.000}	4.000 ^{+0.000} / _{-.002}	4.001 ^{+0.003} / _{+0.000}	4.500 ^{+0.003} / _{+0.000}	4.000 ^{+0.000} / _{-.003}	4.499 ^{+0.000} / _{-.002}	4.500 ^{+0.003} / _{+0.000}	97.66
U25-4.00-37BV	4	4-1/2	3/8	.413 ^{+0.015} / _{+0.000}	4.000 ^{+0.000} / _{-.002}	4.001 ^{+0.003} / _{+0.000}	4.500 ^{+0.003} / _{+0.000}	4.000 ^{+0.000} / _{-.003}	4.499 ^{+0.000} / _{-.002}	4.500 ^{+0.003} / _{+0.000}	103.89
U25-4.00-56BV	4	4-1/2	9/16	.619 ^{+0.015} / _{+0.000}	4.000 ^{+0.000} / _{-.002}	4.001 ^{+0.003} / _{+0.000}	4.500 ^{+0.003} / _{+0.000}	4.000 ^{+0.000} / _{-.003}	4.499 ^{+0.000} / _{-.002}	4.500 ^{+0.003} / _{+0.000}	108.33
U25-4.25-56BV	4-1/4	4-3/4	9/16	.619 ^{+0.015} / _{+0.000}	4.250 ^{+0.000} / _{-.002}	4.251 ^{+0.003} / _{+0.000}	4.750 ^{+0.003} / _{+0.000}	4.250 ^{+0.000} / _{-.003}	4.749 ^{+0.000} / _{-.002}	4.750 ^{+0.003} / _{+0.000}	323.69
U25-4.50V	4-1/2	5	1/4	.275 ^{+0.015} / _{+0.000}	4.500 ^{+0.000} / _{-.002}	4.501 ^{+0.003} / _{+0.000}	5.000 ^{+0.003} / _{+0.000}	4.500 ^{+0.000} / _{-.003}	4.999 ^{+0.000} / _{-.002}	5.000 ^{+0.003} / _{+0.000}	103.62
U25-5.00V	5	5-1/2	1/4	.275 ^{+0.015} / _{+0.000}	5.000 ^{+0.000} / _{-.002}	5.001 ^{+0.003} / _{+0.000}	5.500 ^{+0.003} / _{+0.000}	5.000 ^{+0.000} / _{-.003}	5.499 ^{+0.000} / _{-.002}	5.500 ^{+0.003} / _{+0.000}	113.95
U25-5.00-37BV	5	5-1/2	3/8	.413 ^{+0.015} / _{+0.000}	5.000 ^{+0.000} / _{-.002}	5.001 ^{+0.003} / _{+0.000}	5.500 ^{+0.003} / _{+0.000}	5.000 ^{+0.000} / _{-.003}	5.499 ^{+0.000} / _{-.002}	5.500 ^{+0.003} / _{+0.000}	148.38
U25-5.00-56BV	5	5-1/2	9/16	.619 ^{+0.015} / _{+0.000}	5.000 ^{+0.000} / _{-.002}	5.001 ^{+0.003} / _{+0.000}	5.500 ^{+0.003} / _{+0.000}	5.000 ^{+0.000} / _{-.003}	5.499 ^{+0.000} / _{-.002}	5.500 ^{+0.003} / _{+0.000}	148.38

STYLE 800 FLUOROCARBON U-SEALS



U-SEALS

Part Number	A Nom. ID	B Nom. OD	C Nom. Ht	D GROOVE WIDTH	E ROD DIAMETER	F THROAT DIAMETER	G HOUSING DIAMETER	H GROOVE DIAMETER	I PISTON DIAMETER	J BORE DIAMETER	List Price
U25-5.50V	5-1/2	6	1/4	.275 ^{+0.015} / _{+0.000}	5.500 ^{+0.000} / _{-0.002}	5.501 ^{+0.003} / _{+0.000}	6.000 ^{+0.003} / _{+0.000}	5.500 ^{+0.000} / _{-0.003}	5.999 ^{+0.000} / _{-0.002}	6.000 ^{+0.003} / _{+0.000}	136.85
9/32" C/S											
U28-5.43V	5-7/16	6	9/32	.310 ^{+0.015} / _{+0.000}	5.437 ^{+0.000} / _{-0.002}	5.439 ^{+0.003} / _{+0.000}	6.000 ^{+0.003} / _{+0.000}	5.437 ^{+0.000} / _{-0.003}	5.999 ^{+0.000} / _{-0.002}	6.000 ^{+0.003} / _{+0.000}	\$222.56
5/16" C/S											
U31-1.00V	1	1-5/8	5/16	.344 ^{+0.015} / _{+0.000}	1.000 ^{+0.000} / _{-0.002}	1.002 ^{+0.003} / _{+0.000}	1.625 ^{+0.004} / _{+0.000}	1.000 ^{+0.000} / _{-0.004}	1.623 ^{+0.000} / _{-0.002}	1.625 ^{+0.003} / _{+0.000}	\$43.82
U31-1.37V	1-3/8	2	5/16	.344 ^{+0.015} / _{+0.000}	1.375 ^{+0.000} / _{-0.002}	1.377 ^{+0.003} / _{+0.000}	2.000 ^{+0.004} / _{+0.000}	1.375 ^{+0.000} / _{-0.004}	1.998 ^{+0.000} / _{-0.002}	2.000 ^{+0.003} / _{+0.000}	50.15
U31-1.37-50BV	1-3/8	2	1/2	.550 ^{+0.015} / _{+0.000}	1.375 ^{+0.000} / _{-0.002}	1.377 ^{+0.003} / _{+0.000}	2.000 ^{+0.004} / _{+0.000}	1.375 ^{+0.000} / _{-0.004}	1.998 ^{+0.000} / _{-0.002}	2.000 ^{+0.003} / _{+0.000}	51.49
U31-1.50V	1-1/2	2-1/8	5/16	.344 ^{+0.015} / _{+0.000}	1.500 ^{+0.000} / _{-0.002}	1.502 ^{+0.003} / _{+0.000}	2.125 ^{+0.004} / _{+0.000}	1.500 ^{+0.000} / _{-0.004}	2.123 ^{+0.000} / _{-0.002}	2.125 ^{+0.003} / _{+0.000}	51.03
U31-1.75V	1-3/4	2-3/8	5/16	.344 ^{+0.015} / _{+0.000}	1.750 ^{+0.000} / _{-0.002}	1.752 ^{+0.003} / _{+0.000}	2.375 ^{+0.004} / _{+0.000}	1.750 ^{+0.000} / _{-0.004}	2.373 ^{+0.000} / _{-0.002}	2.375 ^{+0.003} / _{+0.000}	57.62
U31-1.75-50BV	1-3/4	2-3/8	1/2	.550 ^{+0.015} / _{+0.000}	1.750 ^{+0.000} / _{-0.002}	1.752 ^{+0.003} / _{+0.000}	2.375 ^{+0.004} / _{+0.000}	1.750 ^{+0.000} / _{-0.004}	2.373 ^{+0.000} / _{-0.002}	2.375 ^{+0.003} / _{+0.000}	63.83
U31-2.00V	2	2-5/8	5/16	.344 ^{+0.015} / _{+0.000}	2.000 ^{+0.000} / _{-0.002}	2.002 ^{+0.003} / _{+0.000}	2.625 ^{+0.004} / _{+0.000}	2.000 ^{+0.000} / _{-0.004}	2.623 ^{+0.000} / _{-0.002}	2.625 ^{+0.003} / _{+0.000}	64.40
U31-2.00-50BV	2	2-5/8	1/2	.550 ^{+0.015} / _{+0.000}	2.000 ^{+0.000} / _{-0.002}	2.002 ^{+0.003} / _{+0.000}	2.625 ^{+0.004} / _{+0.000}	2.000 ^{+0.000} / _{-0.004}	2.623 ^{+0.000} / _{-0.002}	2.625 ^{+0.003} / _{+0.000}	67.41
U31-2.37V	2-3/8	3	5/16	.344 ^{+0.015} / _{+0.000}	2.375 ^{+0.000} / _{-0.002}	2.377 ^{+0.003} / _{+0.000}	3.000 ^{+0.004} / _{+0.000}	2.375 ^{+0.000} / _{-0.004}	2.998 ^{+0.000} / _{-0.002}	3.000 ^{+0.003} / _{+0.000}	70.76
U31-2.37-50BV	2-3/8	3	1/2	.550 ^{+0.015} / _{+0.000}	2.375 ^{+0.000} / _{-0.002}	2.377 ^{+0.003} / _{+0.000}	3.000 ^{+0.004} / _{+0.000}	2.375 ^{+0.000} / _{-0.004}	2.998 ^{+0.000} / _{-0.002}	3.000 ^{+0.003} / _{+0.000}	77.13
U31-2.50V	2-1/2	3-1/8	5/16	.344 ^{+0.015} / _{+0.000}	2.500 ^{+0.000} / _{-0.002}	2.502 ^{+0.003} / _{+0.000}	3.125 ^{+0.004} / _{+0.000}	2.500 ^{+0.000} / _{-0.004}	3.123 ^{+0.000} / _{-0.002}	3.125 ^{+0.003} / _{+0.000}	73.63
U31-2.75V	2-3/4	3-3/8	5/16	.344 ^{+0.015} / _{+0.000}	2.750 ^{+0.000} / _{-0.002}	2.752 ^{+0.003} / _{+0.000}	3.375 ^{+0.004} / _{+0.000}	2.750 ^{+0.000} / _{-0.004}	3.373 ^{+0.000} / _{-0.002}	3.375 ^{+0.003} / _{+0.000}	87.10
U31-2.75-50BV	2-3/4	3-3/8	1/2	.550 ^{+0.015} / _{+0.000}	2.750 ^{+0.000} / _{-0.002}	2.752 ^{+0.003} / _{+0.000}	3.375 ^{+0.004} / _{+0.000}	2.750 ^{+0.000} / _{-0.004}	3.373 ^{+0.000} / _{-0.002}	3.375 ^{+0.003} / _{+0.000}	91.82
U31-3.00V	3	3-5/8	5/16	.344 ^{+0.015} / _{+0.000}	3.000 ^{+0.000} / _{-0.002}	3.002 ^{+0.003} / _{+0.000}	3.625 ^{+0.004} / _{+0.000}	3.000 ^{+0.000} / _{-0.004}	3.623 ^{+0.000} / _{-0.002}	3.625 ^{+0.003} / _{+0.000}	90.68
U31-3.25V	3-1/4	3-7/8	5/16	.344 ^{+0.015} / _{+0.000}	3.250 ^{+0.000} / _{-0.002}	3.252 ^{+0.003} / _{+0.000}	3.875 ^{+0.004} / _{+0.000}	3.250 ^{+0.000} / _{-0.004}	3.873 ^{+0.000} / _{-0.002}	3.875 ^{+0.003} / _{+0.000}	97.02
U31-3.50V	3-1/2	4-1/8	5/16	.344 ^{+0.015} / _{+0.000}	3.500 ^{+0.000} / _{-0.002}	3.502 ^{+0.003} / _{+0.000}	4.125 ^{+0.004} / _{+0.000}	3.500 ^{+0.000} / _{-0.004}	4.123 ^{+0.000} / _{-0.002}	4.125 ^{+0.003} / _{+0.000}	104.76
U31-3.62V	3-5/8	4-1/4	5/16	.344 ^{+0.015} / _{+0.000}	3.625 ^{+0.000} / _{-0.002}	3.626 ^{+0.003} / _{+0.000}	4.250 ^{+0.004} / _{+0.000}	3.625 ^{+0.000} / _{-0.004}	4.249 ^{+0.000} / _{-0.002}	4.250 ^{+0.003} / _{+0.000}	109.61
U31-4.00V	4	4-5/8	5/16	.344 ^{+0.015} / _{+0.000}	4.000 ^{+0.000} / _{-0.002}	4.002 ^{+0.003} / _{+0.000}	4.625 ^{+0.004} / _{+0.000}	4.000 ^{+0.000} / _{-0.004}	4.623 ^{+0.000} / _{-0.002}	4.625 ^{+0.003} / _{+0.000}	124.10
U31-4.37V	4-3/8	5	5/16	.344 ^{+0.015} / _{+0.000}	4.375 ^{+0.000} / _{-0.002}	4.377 ^{+0.003} / _{+0.000}	5.000 ^{+0.004} / _{+0.000}	4.375 ^{+0.000} / _{-0.004}	4.998 ^{+0.000} / _{-0.002}	5.000 ^{+0.003} / _{+0.000}	125.77
U31-4.37-50DV	4-3/8	5	1/2	.550 ^{+0.015} / _{+0.000}	4.375 ^{+0.000} / _{-0.002}	4.377 ^{+0.003} / _{+0.000}	5.000 ^{+0.004} / _{+0.000}	4.375 ^{+0.000} / _{-0.004}	4.998 ^{+0.000} / _{-0.002}	5.000 ^{+0.003} / _{+0.000}	139.53
U31-5.37V	5-3/8	6	5/16	.344 ^{+0.015} / _{+0.000}	5.375 ^{+0.000} / _{-0.002}	5.377 ^{+0.003} / _{+0.000}	6.000 ^{+0.004} / _{+0.000}	5.375 ^{+0.000} / _{-0.004}	5.998 ^{+0.000} / _{-0.002}	6.000 ^{+0.003} / _{+0.000}	148.38
U31-6.37V	6-3/8	7	5/16	.344 ^{+0.015} / _{+0.000}	6.375 ^{+0.000} / _{-0.002}	6.377 ^{+0.003} / _{+0.000}	7.000 ^{+0.004} / _{+0.000}	6.375 ^{+0.000} / _{-0.004}	6.998 ^{+0.000} / _{-0.002}	7.000 ^{+0.003} / _{+0.000}	231.28
U31-7.37V	7-3/8	8	5/16	.344 ^{+0.015} / _{+0.000}	7.375 ^{+0.000} / _{-0.002}	7.377 ^{+0.003} / _{+0.000}	8.000 ^{+0.004} / _{+0.000}	7.375 ^{+0.000} / _{-0.004}	7.998 ^{+0.000} / _{-0.002}	8.000 ^{+0.003} / _{+0.000}	194.09
3/8" C/S											
U37-1.75-62BV	1-3/4	2-1/2	5/8	.688 ^{+0.015} / _{+0.000}	1.750 ^{+0.000} / _{-0.002}	1.752 ^{+0.004} / _{+0.000}	2.500 ^{+0.005} / _{+0.000}	1.750 ^{+0.000} / _{-0.005}	2.498 ^{+0.000} / _{-0.002}	2.500 ^{+0.004} / _{+0.000}	\$86.21
U37-2.75-62BV	2-3/4	3-1/2	5/8	.688 ^{+0.015} / _{+0.000}	2.750 ^{+0.000} / _{-0.002}	2.752 ^{+0.004} / _{+0.000}	3.500 ^{+0.005} / _{+0.000}	2.750 ^{+0.000} / _{-0.005}	3.498 ^{+0.000} / _{-0.002}	3.500 ^{+0.004} / _{+0.000}	127.60
U37-3.00-62BV	3	3-3/4	5/8	.688 ^{+0.015} / _{+0.000}	3.000 ^{+0.000} / _{-0.002}	3.002 ^{+0.004} / _{+0.000}	3.750 ^{+0.005} / _{+0.000}	3.000 ^{+0.000} / _{-0.005}	3.748 ^{+0.000} / _{-0.002}	3.750 ^{+0.004} / _{+0.000}	132.36
U37-3.25V	3-1/4	4	3/8	.413 ^{+0.015} / _{+0.000}	3.250 ^{+0.000} / _{-0.002}	3.252 ^{+0.004} / _{+0.000}	4.000 ^{+0.005} / _{+0.000}	3.250 ^{+0.000} / _{-0.005}	3.998 ^{+0.000} / _{-0.002}	4.000 ^{+0.004} / _{+0.000}	127.30
U37-3.50-62BV	3-1/2	4-1/4	5/8	.688 ^{+0.015} / _{+0.000}	3.500 ^{+0.000} / _{-0.002}	3.502 ^{+0.004} / _{+0.000}	4.250 ^{+0.005} / _{+0.000}	3.500 ^{+0.000} / _{-0.005}	4.248 ^{+0.000} / _{-0.002}	4.250 ^{+0.004} / _{+0.000}	150.43
U37-3.75-62BV	3-3/4	4-1/2	5/8	.688 ^{+0.015} / _{+0.000}	3.750 ^{+0.000} / _{-0.002}	3.752 ^{+0.004} / _{+0.000}	4.500 ^{+0.005} / _{+0.000}	3.750 ^{+0.000} / _{-0.005}	4.498 ^{+0.000} / _{-0.002}	4.500 ^{+0.004} / _{+0.000}	160.42

FORMERLY LISTED REPAIR PARTS ARE AVAILABLE ONLINE AT WWW.HERCULESUS.COM OR BY CONTACTING YOUR REGIONAL HERCULES SALES TEAM.

STYLE 800 FLUOROCARBON U-SEALS

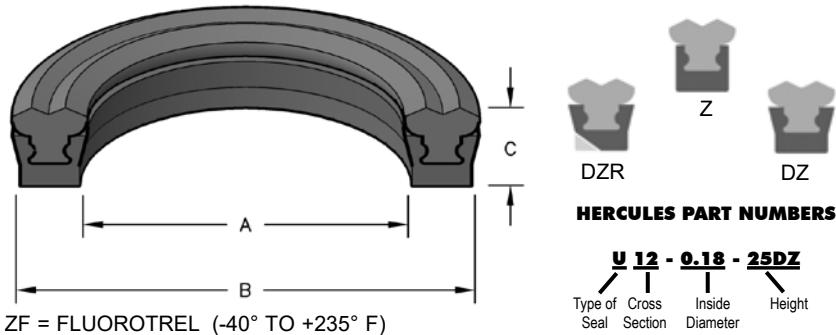
U-SEALS

Part Number	A Nom. ID	B Nom. OD	C Nom. Ht	D GROOVE WIDTH	E ROD DIAMETER	F THROAT DIAMETER	G HOUSING DIAMETER	H GROOVE DIAMETER	I PISTON DIAMETER	J BORE DIAMETER	List Price
U37-4.00-62BV	4	4-3/4	5/8	.688 +.015 +0.000	4.000 +.000 -.002	4.002 +.004 +0.000	4.750 +.005 +0.000	4.000 +.000 -.005	4.748 +.000 -.002	4.750 +.004 +0.000	170.20
U37-4.25V	4-1/4	5	3/8	.413 +.015 +0.000	4.250 +.000 -.002	4.252 +.004 +0.000	5.000 +.005 +0.000	4.250 +.000 -.005	4.998 +.000 -.002	5.000 +.004 +0.000	162.75
U37-4.25-62DV	4-1/4	5	5/8	.688 +.015 +0.000	4.250 +.000 -.002	4.252 +.004 +0.000	5.000 +.005 +0.000	4.250 +.000 -.005	4.998 +.000 -.002	5.000 +.004 +0.000	178.07
U37-4.50-62BV	4-1/2	5-1/4	5/8	.688 +.015 +0.000	4.500 +.000 -.002	4.502 +.004 +0.000	5.250 +.005 +0.000	4.500 +.000 -.005	5.248 +.000 -.002	5.250 +.004 +0.000	186.82
U37-4.75-62BV	4-3/4	5-1/2	5/8	.688 +.015 +0.000	4.750 +.000 -.002	4.752 +.004 +0.000	5.500 +.005 +0.000	4.750 +.000 -.005	5.498 +.000 -.002	5.500 +.004 +0.000	200.64
U37-5.00V	5	5-3/4	3/8	.413 +.015 +0.000	5.000 +.000 -.002	5.002 +.004 +0.000	5.750 +.005 +0.000	5.000 +.000 -.005	5.748 +.000 -.002	5.750 +.004 +0.000	197.94
U37-5.00-62BV	5	5-3/4	5/8	.688 +.015 +0.000	5.000 +.000 -.002	5.002 +.004 +0.000	5.750 +.005 +0.000	5.000 +.000 -.005	5.748 +.000 -.002	5.750 +.004 +0.000	204.76
U37-5.25V	5-1/4	6	3/8	.413 +.015 +0.000	5.250 +.000 -.002	5.252 +.004 +0.000	6.000 +.005 +0.000	5.250 +.000 -.005	5.998 +.000 -.002	6.000 +.004 +0.000	204.54
U37-5.25-62DV	5-1/4	6	5/8	.688 +.015 +0.000	5.250 +.000 -.002	5.252 +.004 +0.000	6.000 +.005 +0.000	5.250 +.000 -.005	5.998 +.000 -.002	6.000 +.004 +0.000	213.53
U37-5.50V	5-1/2	6-1/4	3/8	.413 +.015 +0.000	5.500 +.000 -.002	5.502 +.004 +0.000	6.250 +.005 +0.000	5.500 +.000 -.005	6.248 +.000 -.002	6.250 +.004 +0.000	215.40
U37-5.50-62BV	5-1/2	6-1/4	5/8	.688 +.015 +0.000	5.500 +.000 -.002	5.502 +.004 +0.000	6.250 +.005 +0.000	5.500 +.000 -.005	6.248 +.000 -.002	6.250 +.004 +0.000	221.82
U37-6.00-62BV	6	6-3/4	5/8	.688 +.015 +0.000	6.000 +.000 -.002	6.002 +.004 +0.000	6.750 +.005 +0.000	6.000 +.000 -.005	6.748 +.000 -.002	6.750 +.004 +0.000	236.54
U37-6.25V	6-1/4	7	3/8	.413 +.015 +0.000	6.250 +.000 -.002	6.252 +.004 +0.000	7.000 +.005 +0.000	6.250 +.000 -.005	6.998 +.000 -.002	7.000 +.004 +0.000	245.44
U37-6.25-50DV	6-1/4	7	1/2	.550 +.015 +0.000	6.250 +.000 -.002	6.252 +.004 +0.000	7.000 +.005 +0.000	6.250 +.000 -.005	6.998 +.000 -.002	7.000 +.004 +0.000	243.21
U37-6.25-62BV	6-1/4	7	5/8	.688 +.015 +0.000	6.250 +.000 -.002	6.252 +.004 +0.000	7.000 +.005 +0.000	6.250 +.000 -.005	6.998 +.000 -.002	7.000 +.004 +0.000	243.21
U37-7.25V	7-1/4	8	3/8	.413 +.015 +0.000	7.250 +.000 -.002	7.252 +.004 +0.000	8.000 +.005 +0.000	7.250 +.000 -.005	7.998 +.000 -.002	8.000 +.004 +0.000	253.55
U37-7.25-62DV	7-1/4	8	5/8	.688 +.015 +0.000	7.250 +.000 -.002	7.252 +.004 +0.000	8.000 +.005 +0.000	7.250 +.000 -.005	7.998 +.000 -.002	8.000 +.004 +0.000	281.34
U37-9.25V	9-1/4	10	3/8	.413 +.015 +0.000	9.250 +.000 -.002	9.252 +.004 +0.000	10.000 +.005 +0.000	9.250 +.000 -.005	9.998 +.000 -.002	10.000 +.004 +0.000	312.66
1/2" C/S											
U50-4.00V	4	5	1/2	.550 +.015 +0.000	4.000 +.000 -.003	4.002 +.004 +0.000	5.000 +.007 +0.000	4.000 +.000 -.007	4.998 +.000 -.002	5.000 +.005 +0.000	\$210.22
U50-5.00V	5	6	1/2	.550 +.015 +0.000	5.000 +.000 -.003	5.002 +.004 +0.000	6.000 +.007 +0.000	5.000 +.000 -.007	5.998 +.000 -.002	6.000 +.005 +0.000	256.70
U50-6.00V	6	7	1/2	.550 +.015 +0.000	6.000 +.000 -.003	6.002 +.004 +0.000	7.000 +.007 +0.000	6.000 +.000 -.007	6.998 +.000 -.002	7.000 +.005 +0.000	307.85
U50-6.00-75DV	6	7	3/4	.825 +.015 +0.000	6.000 +.000 -.003	6.002 +.004 +0.000	7.000 +.007 +0.000	6.000 +.000 -.007	6.998 +.000 -.002	7.000 +.005 +0.000	342.58
U50-7.00V	7	8	1/2	.550 +.015 +0.000	7.000 +.000 -.003	7.002 +.004 +0.000	8.000 +.007 +0.000	7.000 +.000 -.007	7.998 +.000 -.002	8.000 +.005 +0.000	316.07
U50-8.00V	8	9	1/2	.550 +.015 +0.000	8.000 +.000 -.003	8.002 +.004 +0.000	9.000 +.007 +0.000	8.000 +.000 -.007	8.998 +.000 -.002	9.000 +.005 +0.000	352.55
U50-9.00V	9	10	1/2	.550 +.015 +0.000	9.000 +.000 -.003	9.002 +.004 +0.000	10.000 +.007 +0.000	9.000 +.000 -.007	9.998 +.000 -.002	10.000 +.005 +0.000	392.34

Z-SEALS



The Z-Seal™ is a squeeze type seal, combining the excellent sealability and low compression set of a resilient rubber lip with the greater anti-extrusion characteristics of a hard thermoplastic base. Under low pressure conditions, the sealing lip provides its own compressive seal force. As pressure increases, hydrostatic pressure is mechanically transmitted through the elastomeric seal element into the anti-extrusion base. The applied force then deflects radially in a controlled manner, closing the extrusion gap behind the sealing lip. Under this condition, maximum sealing effectiveness is achieved.

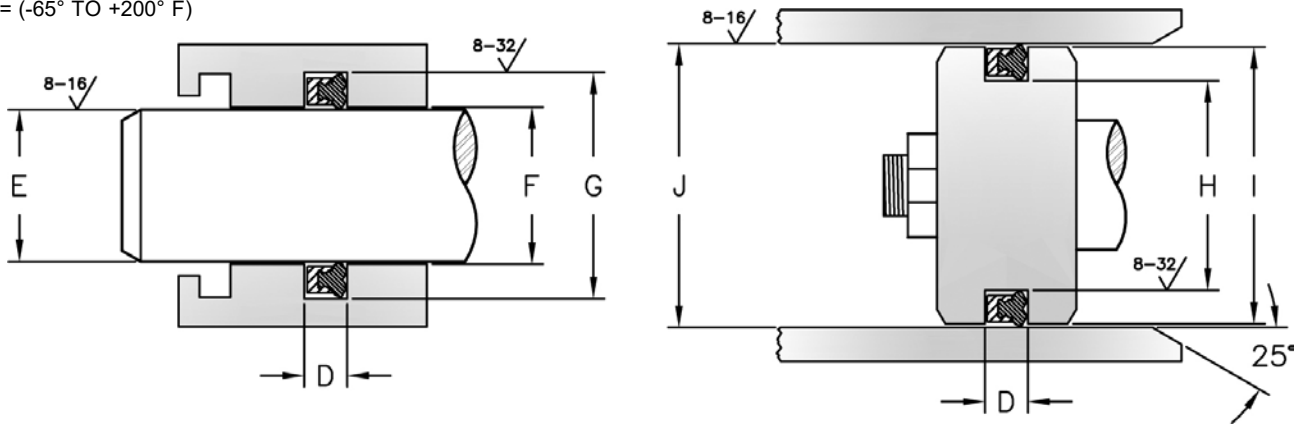


SEAL INFORMATION	
MATERIAL	95A URETHANE 70A NITRILE RUBBER
TEMPERATURE RANGE	-40° TO +200° F
PRESSURE RANGE	0 TO 5,000 PSI
SPEED	3 FT/SEC

ZF = FLUOROTREL (-40° TO +235° F)

ZL = LOW TEMPERATURE NITRILE SEALING LIP (-65° TO +200° F)

ZLF = (-65° TO +200° F)



U-SEALS

Part Number	A Nom. ID	B Nom. OD	C Nom. Ht	D GROOVE WIDTH	E ROD DIAMETER	F THROAT DIAMETER	G HOUSING DIAMETER	H GROOVE DIAMETER	I PISTON DIAMETER	J BORE DIAMETER	C HEIGHT	List Price
1/8" C/S												
U12-0.18-25DZ	3/16	7/16	1/4	.275 +.015 +0.000	.187 +.000 -.001	.188 +.002 +0.000	.438 +.002 +0.000	.187 +.000 -.002	.437 +.000 -.001	.438 +.002 +0.000	.198 +.060 -.008	\$ 13.56
U12-0.50-25DZ	1/2	3/4	1/4	.275 +.015 +0.000	.500 +.000 -.001	.501 +.002 +0.000	.750 +.002 +0.000	.500 +.000 -.002	.749 +.000 -.001	.750 +.002 +0.000	.198 +.060 -.008	10.84
U12-0.50-25DZL	1/2	3/4	1/4	.275 +.015 +0.000	.500 +.000 -.001	.501 +.002 +0.000	.750 +.002 +0.000	.500 +.000 -.002	.749 +.000 -.001	.750 +.002 +0.000	.198 +.060 -.008	10.90
U12-0.75-18DZL	3/4	1	3/16	.207 +.015 +0.000	.750 +.000 -.001	.751 +.002 +0.000	1.000 +.002 +0.000	.750 +.000 -.002	.999 +.000 -.001	1.000 +.002 +0.000	.187 ±.008	11.80
U12-0.75-25DZL	3/4	1	1/4	.275 +.015 +0.000	.750 +.000 -.001	.751 +.002 +0.000	1.000 +.002 +0.000	.750 +.000 -.002	.999 +.000 -.001	1.000 +.002 +0.000	.198 +.060 -.008	12.02
U12-0.87-25DZL	7/8	1-1/8	1/4	.275 +.015 +0.000	.875 +.000 -.001	.876 +.002 +0.000	1.125 +.002 +0.000	.875 +.000 -.002	1.124 +.000 -.001	1.125 +.002 +0.000	.198 +.060 -.008	12.75
U12-0.87-25Z	7/8	1-1/8	1/4	.275 +.015 +0.000	.875 +.000 -.001	.876 +.002 +0.000	1.125 +.002 +0.000	.875 +.000 -.002	1.124 +.000 -.001	1.125 +.002 +0.000	.250 ±.008	13.04
U12-1.00-25DZ	1	1-1/4	1/4	.275 +.015 +0.000	1.000 +.000 -.001	1.001 +.002 +0.000	1.250 +.002 +0.000	1.000 +.000 -.002	1.249 +.000 -.001	1.250 +.002 +0.000	.198 +.060 -.008	13.25
U12-1.00-25DZLF	1	1-1/4	1/4	.275 +.015 +0.000	1.000 +.000 -.001	1.001 +.002 +0.000	1.250 +.002 +0.000	1.000 +.000 -.002	1.249 +.000 -.001	1.250 +.002 +0.000	.198 +.060 -.008	14.75
U12-1.12-25DZ	1-1/8	1-3/8	1/4	.275 +.015 +0.000	1.125 +.000 -.001	1.126 +.002 +0.000	1.375 +.002 +0.000	1.125 +.000 -.002	1.374 +.000 -.001	1.375 +.002 +0.000	.198 +.060 -.008	13.81



Z-SEALS

U-SEALS

Part Number	A Nom. ID	B Nom. OD	C Nom. Ht	D GROOVE WIDTH	E ROD DIAMETER	F THROAT DIAMETER	G HOUSING DIAMETER	H GROOVE DIAMETER	I PISTON DIAMETER	J BORE DIAMETER	C HEIGHT	List Price
U12-1.25-25DZ	1-1/4	1-1/2	1/4	.275 ^{+0.015} / _{+0.000}	1.250 ^{+0.000} / _{-0.001}	1.251 ^{+0.002} / _{+0.000}	1.500 ^{+0.002} / _{+0.000}	1.250 ^{+0.000} / _{-0.002}	1.499 ^{+0.000} / _{-0.001}	1.500 ^{+0.002} / _{+0.000}	.198 ^{+0.060} / _{-0.008}	14.65
5/32" C/S												
U15-1.50-31DZ	1-1/2	1-13/16	5/16	.344 ^{+0.015} / _{+0.000}	1.500 ^{+0.000} / _{-0.002}	1.501 ^{+0.002} / _{+0.000}	1.813 ^{+0.002} / _{+0.000}	1.500 ^{+0.000} / _{-0.002}	1.812 ^{+0.000} / _{-0.001}	1.813 ^{+0.002} / _{+0.000}	.312 ^{±0.012}	\$21.77
3/16" C/S												
U18-1.00-31DZL	1	1-3/8	5/16	.344 ^{+0.015} / _{+0.000}	1.000 ^{+0.000} / _{-0.002}	1.001 ^{+0.002} / _{+0.000}	1.375 ^{+0.002} / _{+0.000}	1.000 ^{+0.000} / _{-0.002}	1.374 ^{+0.000} / _{-0.002}	1.375 ^{+0.002} / _{+0.000}	.288 ^{+0.036} / _{-0.012}	\$ 14.18
U18-1.00-31Z	1	1-3/8	5/16	.344 ^{+0.015} / _{+0.000}	1.000 ^{+0.000} / _{-0.002}	1.001 ^{+0.002} / _{+0.000}	1.375 ^{+0.002} / _{+0.000}	1.000 ^{+0.000} / _{-0.002}	1.374 ^{+0.000} / _{-0.002}	1.375 ^{+0.002} / _{+0.000}	.312 ^{±0.012}	16.47
U18-1.12-31DZ	1-1/8	1-1/2	5/16	.344 ^{+0.015} / _{+0.000}	1.125 ^{+0.000} / _{-0.002}	1.126 ^{+0.002} / _{+0.000}	1.500 ^{+0.002} / _{+0.000}	1.125 ^{+0.000} / _{-0.002}	1.499 ^{+0.000} / _{-0.002}	1.500 ^{+0.002} / _{+0.000}	.288 ^{+0.036} / _{-0.012}	14.79
U18-1.12-31Z	1-1/8	1-1/2	5/16	.344 ^{+0.015} / _{+0.000}	1.125 ^{+0.000} / _{-0.002}	1.126 ^{+0.002} / _{+0.000}	1.500 ^{+0.002} / _{+0.000}	1.125 ^{+0.000} / _{-0.002}	1.499 ^{+0.000} / _{-0.002}	1.500 ^{+0.002} / _{+0.000}	.312 ^{±0.012}	16.96
U18-1.18-31DZL	1-3/16	1-9/16	5/16	.344 ^{+0.015} / _{+0.000}	1.187 ^{+0.000} / _{-0.002}	1.188 ^{+0.002} / _{+0.000}	1.563 ^{+0.002} / _{+0.000}	1.187 ^{+0.000} / _{-0.002}	1.562 ^{+0.000} / _{-0.002}	1.563 ^{+0.002} / _{+0.000}	.288 ^{+0.036} / _{-0.012}	15.63
U18-1.25-31DZ	1-1/4	1-5/8	5/16	.344 ^{+0.015} / _{+0.000}	1.250 ^{+0.000} / _{-0.002}	1.251 ^{+0.002} / _{+0.000}	1.625 ^{+0.002} / _{+0.000}	1.250 ^{+0.000} / _{-0.002}	1.624 ^{+0.000} / _{-0.002}	1.625 ^{+0.002} / _{+0.000}	.288 ^{+0.036} / _{-0.012}	16.46
U18-1.25-31DZR	1-1/4	1-5/8	5/16	.344 ^{+0.015} / _{+0.000}	1.250 ^{+0.000} / _{-0.002}	1.251 ^{+0.002} / _{+0.000}	1.625 ^{+0.002} / _{+0.000}	N/A	N/A	N/A	.288 ^{+0.036} / _{-0.012}	44.09
U18-1.25-31Z	1-1/4	1-5/8	5/16	.344 ^{+0.015} / _{+0.000}	1.250 ^{+0.000} / _{-0.002}	1.251 ^{+0.002} / _{+0.000}	1.625 ^{+0.002} / _{+0.000}	1.250 ^{+0.000} / _{-0.002}	1.624 ^{+0.000} / _{-0.002}	1.625 ^{+0.002} / _{+0.000}	.312 ^{±0.012}	17.76
U18-1.25-31ZF	1-1/4	1-5/8	5/16	.344 ^{+0.015} / _{+0.000}	1.250 ^{+0.000} / _{-0.002}	1.251 ^{+0.002} / _{+0.000}	1.625 ^{+0.002} / _{+0.000}	1.250 ^{+0.000} / _{-0.002}	1.624 ^{+0.000} / _{-0.002}	1.625 ^{+0.002} / _{+0.000}	.312 ^{±0.012}	15.83
U18-1.37-31DZ	1-3/8	1-3/4	5/16	.344 ^{+0.015} / _{+0.000}	1.375 ^{+0.000} / _{-0.002}	1.376 ^{+0.002} / _{+0.000}	1.750 ^{+0.002} / _{+0.000}	1.375 ^{+0.000} / _{-0.002}	1.749 ^{+0.000} / _{-0.002}	1.750 ^{+0.002} / _{+0.000}	.288 ^{+0.036} / _{-0.012}	16.03
U18-1.37-31DZLF	1-3/8	1-3/4	5/16	.344 ^{+0.015} / _{+0.000}	1.375 ^{+0.000} / _{-0.002}	1.376 ^{+0.002} / _{+0.000}	1.750 ^{+0.002} / _{+0.000}	1.375 ^{+0.000} / _{-0.002}	1.749 ^{+0.000} / _{-0.002}	1.750 ^{+0.002} / _{+0.000}	.288 ^{+0.036} / _{-0.012}	17.89
U18-1.50-31DZ	1-1/2	1-7/8	5/16	.344 ^{+0.015} / _{+0.000}	1.500 ^{+0.000} / _{-0.002}	1.501 ^{+0.002} / _{+0.000}	1.875 ^{+0.002} / _{+0.000}	1.500 ^{+0.000} / _{-0.002}	1.874 ^{+0.000} / _{-0.002}	1.875 ^{+0.002} / _{+0.000}	.288 ^{+0.036} / _{-0.012}	14.06
U18-1.50-37DZ	1-1/2	1-7/8	3/8	.413 ^{+0.015} / _{+0.000}	1.500 ^{+0.000} / _{-0.002}	1.501 ^{+0.002} / _{+0.000}	1.875 ^{+0.002} / _{+0.000}	1.500 ^{+0.000} / _{-0.002}	1.874 ^{+0.000} / _{-0.002}	1.875 ^{+0.002} / _{+0.000}	.352 ^{+0.035} / _{-0.012}	15.52
U18-1.50-37Z	1-1/2	1-7/8	3/8	.413 ^{+0.015} / _{+0.000}	1.500 ^{+0.000} / _{-0.002}	1.501 ^{+0.002} / _{+0.000}	1.875 ^{+0.002} / _{+0.000}	1.500 ^{+0.000} / _{-0.002}	1.874 ^{+0.000} / _{-0.002}	1.875 ^{+0.002} / _{+0.000}	.375 ^{±0.012}	19.04
U18-1.62-31DZL	1-5/8	2	5/16	.344 ^{+0.015} / _{+0.000}	1.625 ^{+0.000} / _{-0.002}	1.626 ^{+0.002} / _{+0.000}	2.000 ^{+0.002} / _{+0.000}	1.625 ^{+0.000} / _{-0.002}	1.999 ^{+0.000} / _{-0.002}	2.000 ^{+0.002} / _{+0.000}	.288 ^{+0.036} / _{-0.012}	17.93
U18-1.62-37Z	1-5/8	2	3/8	.413 ^{+0.015} / _{+0.000}	1.625 ^{+0.000} / _{-0.002}	1.626 ^{+0.002} / _{+0.000}	2.000 ^{+0.002} / _{+0.000}	1.625 ^{+0.000} / _{-0.002}	1.999 ^{+0.000} / _{-0.002}	2.000 ^{+0.002} / _{+0.000}	.375 ^{±0.012}	8.66
U18-1.75-25Z	1-3/4	2-1/8	1/4	.275 ^{+0.015} / _{+0.000}	1.750 ^{+0.000} / _{-0.002}	1.751 ^{+0.002} / _{+0.000}	2.125 ^{+0.002} / _{+0.000}	1.750 ^{+0.000} / _{-0.002}	2.124 ^{+0.000} / _{-0.002}	2.125 ^{+0.002} / _{+0.000}	.250 ^{±0.008}	19.81
U18-1.75-31ZF	1-3/4	2-1/8	5/16	.344 ^{+0.015} / _{+0.000}	1.750 ^{+0.000} / _{-0.002}	1.751 ^{+0.002} / _{+0.000}	2.125 ^{+0.002} / _{+0.000}	1.750 ^{+0.000} / _{-0.002}	2.124 ^{+0.000} / _{-0.002}	2.125 ^{+0.002} / _{+0.000}	.312 ^{±0.012}	17.66
U18-1.75-37DZ	1-3/4	2-1/8	3/8	.413 ^{+0.015} / _{+0.000}	1.750 ^{+0.000} / _{-0.002}	1.751 ^{+0.002} / _{+0.000}	2.125 ^{+0.002} / _{+0.000}	1.750 ^{+0.000} / _{-0.002}	2.124 ^{+0.000} / _{-0.002}	2.125 ^{+0.002} / _{+0.000}	.352 ^{+0.035} / _{-0.012}	21.07
U18-1.75-37DZLF	1-3/4	2-1/8	3/8	.413 ^{+0.010} / _{+0.000}	1.750 ^{+0.000} / _{-0.002}	1.751 ^{+0.003} / _{+0.000}	2.125 ^{+0.002} / _{+0.000}	1.750 ^{+0.000} / _{-0.002}	2.124 ^{+0.000} / _{-0.002}	2.125 ^{+0.002} / _{+0.000}	.352 ^{+0.035} / _{-0.012}	19.16
U18-1.75-37Z	1-3/4	2-1/8	3/8	.413 ^{+0.015} / _{+0.000}	1.750 ^{+0.000} / _{-0.002}	1.751 ^{+0.002} / _{+0.000}	2.125 ^{+0.002} / _{+0.000}	1.750 ^{+0.000} / _{-0.002}	2.124 ^{+0.000} / _{-0.002}	2.125 ^{+0.002} / _{+0.000}	.375 ^{±0.012}	21.51
U18-1.87-37Z	1-7/8	2-1/4	3/8	.413 ^{+0.015} / _{+0.000}	1.875 ^{+0.000} / _{-0.002}	1.876 ^{+0.002} / _{+0.000}	2.250 ^{+0.002} / _{+0.000}	1.875 ^{+0.000} / _{-0.002}	2.249 ^{+0.000} / _{-0.002}	2.250 ^{+0.002} / _{+0.000}	.375 ^{±0.012}	22.75
U18-2.00-25Z	2	2-3/8	1/4	.275 ^{+0.015} / _{+0.000}	2.000 ^{+0.000} / _{-0.002}	2.001 ^{+0.002} / _{+0.000}	2.375 ^{+0.002} / _{+0.000}	2.000 ^{+0.000} / _{-0.002}	2.374 ^{+0.000} / _{-0.002}	2.375 ^{+0.002} / _{+0.000}	.250 ^{±0.008}	22.93
U18-2.00-31DZL	2	2-3/8	5/16	.344 ^{+0.015} / _{+0.000}	2.000 ^{+0.000} / _{-0.002}	2.001 ^{+0.002} / _{+0.000}	2.375 ^{+0.002} / _{+0.000}	2.000 ^{+0.000} / _{-0.002}	2.374 ^{+0.000} / _{-0.002}	2.375 ^{+0.002} / _{+0.000}	.288 ^{+0.036} / _{-0.012}	20.15
U18-2.00-37DZL	2	2-3/8	3/8	.413 ^{+0.015} / _{+0.000}	2.000 ^{+0.000} / _{-0.002}	2.001 ^{+0.002} / _{+0.000}	2.375 ^{+0.002} / _{+0.000}	2.000 ^{+0.000} / _{-0.002}	2.374 ^{+0.000} / _{-0.002}	2.375 ^{+0.002} / _{+0.000}	.352 ^{+0.035} / _{-0.012}	20.15
U18-2.00-37Z	2	2-3/8	3/8	.413 ^{+0.015} / _{+0.000}	2.000 ^{+0.000} / _{-0.002}	2.001 ^{+0.002} / _{+0.000}	2.375 ^{+0.002} / _{+0.000}	2.000 ^{+0.000} / _{-0.002}	2.374 ^{+0.000} / _{-0.002}	2.375 ^{+0.002} / _{+0.000}	.375 ^{±0.012}	23.95
U18-2.25-37DZ	2-1/4	2-5/8	3/8	.413 ^{+0.015} / _{+0.000}	2.250 ^{+0.000} / _{-0.002}	2.251 ^{+0.002} / _{+0.000}	2.625 ^{+0.002} / _{+0.000}	2.250 ^{+0.000} / _{-0.002}	2.624 ^{+0.000} / _{-0.002}	2.625 ^{+0.002} / _{+0.000}	.352 ^{+0.035} / _{-0.012}	21.47
U18-2.25-37DZF	2-1/4	2-5/8	3/8	.413 ^{+0.015} / _{+0.000}	2.250 ^{+0.000} / _{-0.002}	2.251 ^{+0.002} / _{+0.000}	2.625 ^{+0.002} / _{+0.000}	2.250 ^{+0.000} / _{-0.002}	2.624 ^{+0.000} / _{-0.002}	2.625 ^{+0.002} / _{+0.000}	.352 ^{+0.035} / _{-0.012}	18.91
U18-2.37-31DZL	2-3/8	2-3/4	5/16	.344 ^{+0.015} / _{+0.000}	2.375 ^{+0.000} / _{-0.002}	2.376 ^{+0.002} / _{+0.000}	2.750 ^{+0.002} / _{+0.000}	2.375 ^{+0.000} / _{-0.002}	2.749 ^{+0.000} / _{-0.002}	2.750 ^{+0.002} / _{+0.000}	.288 ^{+0.036} / _{-0.012}	29.48

Z-SEALS



Part Number	A Nom. ID	B Nom. OD	C Nom. Ht	D GROOVE WIDTH	E ROD DIAMETER	F THROAT DIAMETER	G HOUSING DIAMETER	H GROOVE DIAMETER	I PISTON DIAMETER	J BORE DIAMETER	C HEIGHT	List Price
U18-2.50-37Z	2-1/2	2-7/8	3/8	.413 <small>+0.015 +0.000</small>	2.500 <small>+0.000 -0.002</small>	2.501 <small>+0.002 +0.000</small>	2.875 <small>+0.002 +0.000</small>	2.500 <small>+0.000 -0.002</small>	2.874 <small>+0.000 -0.002</small>	2.875 <small>+0.002 +0.000</small>	.375 ±.012	28.94
U18-2.75-31DZL	2-3/4	3-1/8	5/16	.344 <small>+0.015 +0.000</small>	2.750 <small>+0.000 -0.002</small>	2.751 <small>+0.002 +0.000</small>	3.125 <small>+0.002 +0.000</small>	2.750 <small>+0.000 -0.002</small>	3.124 <small>+0.000 -0.002</small>	3.125 <small>+0.002 +0.000</small>	.288 ±.036 -.012	31.74
U18-3.00-37Z	3	3-3/8	3/8	.413 <small>+0.015 +0.000</small>	3.000 <small>+0.000 -0.002</small>	3.001 <small>+0.002 +0.000</small>	3.375 <small>+0.002 +0.000</small>	3.000 <small>+0.000 -0.002</small>	3.374 <small>+0.000 -0.002</small>	3.375 <small>+0.002 +0.000</small>	.375 ±.012	32.01
U18-3.50-37Z	3-1/2	3-7/8	3/8	.413 <small>+0.015 +0.000</small>	3.500 <small>+0.000 -0.002</small>	3.501 <small>+0.002 +0.000</small>	3.875 <small>+0.002 +0.000</small>	3.500 <small>+0.000 -0.002</small>	3.874 <small>+0.000 -0.002</small>	3.875 <small>+0.002 +0.000</small>	.375 ±.012	37.97
U18-4.00-37ZF	4	4-3/8	3/8	.413 <small>+0.015 +0.000</small>	4.000 <small>+0.000 -0.002</small>	4.001 <small>+0.002 +0.000</small>	4.375 <small>+0.002 +0.000</small>	4.000 <small>+0.000 -0.002</small>	4.374 <small>+0.000 -0.002</small>	4.375 <small>+0.002 +0.000</small>	.375 ±.012	50.02
1/4" C/S												
U25-0.37-37DZ	3/8	7/8	3/8	.413 <small>+0.015 +0.000</small>	.375 <small>+0.000 -0.002</small>	.376 <small>+0.003 +0.000</small>	.875 <small>+0.003 +0.000</small>	.375 <small>+0.000 -0.003</small>	.874 <small>+0.000 -0.002</small>	.875 <small>+0.003 +0.000</small>	.383 ±.012 -.020	\$ 16.06
U25-1.00-37DZL	1	1-1/2	3/8	.413 <small>+0.015 +0.000</small>	1.000 <small>+0.000 -0.002</small>	1.001 <small>+0.003 +0.000</small>	1.500 <small>+0.003 +0.000</small>	1.000 <small>+0.000 -0.003</small>	1.499 <small>+0.000 -0.002</small>	1.500 <small>+0.003 +0.000</small>	.383 ±.012 -.020	17.84
U25-1.00-37Z	1	1-1/2	3/8	.413 <small>+0.015 +0.000</small>	1.000 <small>+0.000 -0.002</small>	1.001 <small>+0.003 +0.000</small>	1.500 <small>+0.003 +0.000</small>	1.000 <small>+0.000 -0.003</small>	1.499 <small>+0.000 -0.002</small>	1.500 <small>+0.003 +0.000</small>	.375 ±.012	17.86
U25-1.00-56DZ	1	1-1/2	9/16	.619 <small>+0.015 +0.000</small>	1.000 <small>+0.000 -0.002</small>	1.001 <small>+0.003 +0.000</small>	1.500 <small>+0.003 +0.000</small>	1.000 <small>+0.000 -0.003</small>	1.499 <small>+0.000 -0.002</small>	1.500 <small>+0.003 +0.000</small>	.510 ±.068 -.016	14.58
U25-1.25-37DZL	1-1/4	1-3/4	3/8	.413 <small>+0.015 +0.000</small>	1.250 <small>+0.000 -0.002</small>	1.251 <small>+0.003 +0.000</small>	1.750 <small>+0.003 +0.000</small>	1.250 <small>+0.000 -0.003</small>	1.749 <small>+0.000 -0.002</small>	1.750 <small>+0.003 +0.000</small>	.383 ±.012 -.020	18.47
U25-1.25-37Z	1-1/4	1-3/4	3/8	.413 <small>+0.015 +0.000</small>	1.250 <small>+0.000 -0.002</small>	1.251 <small>+0.003 +0.000</small>	1.750 <small>+0.003 +0.000</small>	1.250 <small>+0.000 -0.003</small>	1.749 <small>+0.000 -0.002</small>	1.750 <small>+0.003 +0.000</small>	.375 ±.012	18.50
U25-1.50-37DZ	1-1/2	2	3/8	.413 <small>+0.015 +0.000</small>	1.500 <small>+0.000 -0.002</small>	1.501 <small>+0.003 +0.000</small>	2.000 <small>+0.003 +0.000</small>	1.500 <small>+0.000 -0.003</small>	1.999 <small>+0.000 -0.002</small>	2.000 <small>+0.003 +0.000</small>	.383 ±.012 -.020	18.37
U25-1.50-37DZR	1-1/2	2	3/8	.413 <small>+0.015 +0.000</small>	1.500 <small>+0.000 -0.002</small>	1.501 <small>+0.003 +0.000</small>	2.000 <small>+0.003 +0.000</small>	N/A	N/A	N/A	.383 ±.012 -.020	56.89
U25-1.50-37Z	1-1/2	2	3/8	.413 <small>+0.015 +0.000</small>	1.500 <small>+0.000 -0.002</small>	1.501 <small>+0.003 +0.000</small>	2.000 <small>+0.003 +0.000</small>	1.500 <small>+0.000 -0.003</small>	1.999 <small>+0.000 -0.002</small>	2.000 <small>+0.003 +0.000</small>	.375 ±.012	22.04
U25-1.50-37ZF	1-1/2	2	3/8	.413 <small>+0.015 +0.000</small>	1.500 <small>+0.000 -0.002</small>	1.501 <small>+0.003 +0.000</small>	2.000 <small>+0.003 +0.000</small>	1.500 <small>+0.000 -0.003</small>	1.999 <small>+0.000 -0.002</small>	2.000 <small>+0.003 +0.000</small>	.375 ±.012	15.95
U25-1.75-31ZF	1-3/4	2-1/4	5/16	.344 <small>+0.015 +0.000</small>	1.750 <small>+0.000 -0.002</small>	1.751 <small>+0.003 +0.000</small>	2.250 <small>+0.003 +0.000</small>	1.750 <small>+0.000 -0.003</small>	2.249 <small>+0.000 -0.002</small>	2.250 <small>+0.003 +0.000</small>	.312 ±.012	23.58
U25-1.75-37DZ	1-3/4	2-1/4	3/8	.413 <small>+0.015 +0.000</small>	1.750 <small>+0.000 -0.002</small>	1.751 <small>+0.003 +0.000</small>	2.250 <small>+0.003 +0.000</small>	1.750 <small>+0.000 -0.003</small>	2.249 <small>+0.000 -0.002</small>	2.250 <small>+0.003 +0.000</small>	.383 ±.012 -.020	18.80
U25-1.75-37DZF	1-3/4	2-1/4	3/8	.413 <small>+0.015 +0.000</small>	1.750 <small>+0.000 -0.002</small>	1.751 <small>+0.003 +0.000</small>	2.250 <small>+0.003 +0.000</small>	1.750 <small>+0.000 -0.003</small>	2.249 <small>+0.000 -0.002</small>	2.250 <small>+0.003 +0.000</small>	.383 ±.012 -.020	21.99
U25-1.75-37Z	1-3/4	2-1/4	3/8	.413 <small>+0.015 +0.000</small>	1.750 <small>+0.000 -0.002</small>	1.751 <small>+0.003 +0.000</small>	2.250 <small>+0.003 +0.000</small>	1.750 <small>+0.000 -0.003</small>	2.249 <small>+0.000 -0.002</small>	2.250 <small>+0.003 +0.000</small>	.375 ±.012	24.02
U25-1.75-37ZF	1-3/4	2-1/4	3/8	.413 <small>+0.015 +0.000</small>	1.750 <small>+0.000 -0.002</small>	1.751 <small>+0.003 +0.000</small>	2.250 <small>+0.003 +0.000</small>	1.750 <small>+0.000 -0.003</small>	2.249 <small>+0.000 -0.002</small>	2.250 <small>+0.003 +0.000</small>	.375 ±.012	22.08
U25-2.00-37DZ	2	2-1/2	3/8	.413 <small>+0.015 +0.000</small>	2.000 <small>+0.000 -0.002</small>	2.001 <small>+0.003 +0.000</small>	2.500 <small>+0.003 +0.000</small>	2.000 <small>+0.000 -0.003</small>	2.499 <small>+0.000 -0.002</small>	2.500 <small>+0.003 +0.000</small>	.383 ±.012 -.020	24.53
U25-2.00-37DZF	2	2-1/2	3/8	.413 <small>+0.015 +0.000</small>	2.000 <small>+0.000 -0.002</small>	2.001 <small>+0.003 +0.000</small>	2.500 <small>+0.003 +0.000</small>	2.000 <small>+0.000 -0.003</small>	2.499 <small>+0.000 -0.002</small>	2.500 <small>+0.003 +0.000</small>	.383 ±.012 -.020	24.15
U25-2.00-37DZL	2	2-1/2	3/8	.413 <small>+0.015 +0.000</small>	2.000 <small>+0.000 -0.002</small>	2.001 <small>+0.003 +0.000</small>	2.500 <small>+0.003 +0.000</small>	2.000 <small>+0.503 -0.003</small>	2.499 <small>+0.000 -0.002</small>	2.500 <small>+0.003 +0.000</small>	.383 ±.012 -.020	28.18
U25-2.00-37DZR	2	2-1/2	3/8	.413 <small>+0.015 +0.000</small>	2.000 <small>+0.000 -0.002</small>	2.001 <small>+0.003 +0.000</small>	2.500 <small>+0.003 +0.000</small>	N/A	N/A	N/A	.383 ±.012 -.020	47.64
U25-2.00-37Z	2	2-1/2	3/8	.413 <small>+0.015 +0.000</small>	2.000 <small>+0.000 -0.002</small>	2.001 <small>+0.003 +0.000</small>	2.500 <small>+0.003 +0.000</small>	2.000 <small>+0.000 -0.003</small>	2.499 <small>+0.000 -0.002</small>	2.500 <small>+0.003 +0.000</small>	.375 ±.012	26.17
U25-2.25-37DZ	2-1/4	2-3/4	3/8	.413 <small>+0.015 +0.000</small>	2.250 <small>+0.000 -0.002</small>	2.251 <small>+0.003 +0.000</small>	2.750 <small>+0.003 +0.000</small>	2.250 <small>+0.000 -0.003</small>	2.749 <small>+0.000 -0.002</small>	2.750 <small>+0.003 +0.000</small>	.383 ±.012 -.020	21.54
U25-2.25-37DZLF	2-1/4	2-3/4	3/8	.413 <small>+0.015 +0.000</small>	2.250 <small>+0.000 -0.002</small>	2.251 <small>+0.003 +0.000</small>	2.750 <small>+0.003 +0.000</small>	2.250 <small>+0.000 -0.003</small>	2.749 <small>+0.000 -0.002</small>	2.750 <small>+0.003 +0.000</small>	.383 ±.012 -.020	28.87
U25-2.25-37Z	2-1/4	2-3/4	3/8	.413 <small>+0.015 +0.000</small>	2.250 <small>+0.000 -0.002</small>	2.251 <small>+0.003 +0.000</small>	2.750 <small>+0.003 +0.000</small>	2.250 <small>+0.000 -0.003</small>	2.749 <small>+0.000 -0.002</small>	2.750 <small>+0.003 +0.000</small>	.375 ±.012	29.62
U25-2.37-37Z	2-3/8	2-7/8	3/8	.413 <small>+0.015 +0.000</small>	2.375 <small>+0.000 -0.002</small>	2.376 <small>+0.003 +0.000</small>	2.875 <small>+0.003 +0.000</small>	2.375 <small>+0.000 -0.003</small>	2.874 <small>+0.000 -0.002</small>	2.875 <small>+0.003 +0.000</small>	.375 ±.012	29.71
U25-2.50-37DZ	2-1/2	3	3/8	.413 <small>+0.015 +0.000</small>	2.500 <small>+0.000 -0.002</small>	2.501 <small>+0.003 +0.000</small>	3.000 <small>+0.003 +0.000</small>	2.500 <small>+0.000 -0.003</small>	2.999 <small>+0.000 -0.002</small>	3.000 <small>+0.003 +0.000</small>	.383 ±.012 -.020	25.96
U25-2.50-37DZF	2-1/2	3	3/8	.413 <small>+0.015 +0.000</small>	2.500 <small>+0.000 -0.002</small>	2.501 <small>+0.003 +0.000</small>	3.000 <small>+0.003 +0.000</small>	2.500 <small>+0.000 -0.003</small>	2.999 <small>+0.000 -0.002</small>	3.000 <small>+0.003 +0.000</small>	.383 ±.012 -.020	33.59
U25-2.50-37DZR	2-1/2	3	3/8	.413 <small>+0.015 +0.000</small>	2.500 <small>+0.000 -0.002</small>	2.501 <small>+0.003 +0.000</small>	3.000 <small>+0.003 +0.000</small>	N/A	N/A	N/A	.383 ±.012 -.020	74.47

U-SEALS



Z-SEALS

U-SEALS

Part Number	A Nom. ID	B Nom. OD	C Nom. Ht	D GROOVE WIDTH	E ROD DIAMETER	F THROAT DIAMETER	G HOUSING DIAMETER	H GROOVE DIAMETER	I PISTON DIAMETER	J BORE DIAMETER	C HEIGHT	List Price
U25-2.50-37Z	2-1/2	3	3/8	.413 ^{+0.015} / _{+0.000}	2.500 ^{+0.000} / _{-.002}	2.501 ^{+0.003} / _{+0.000}	3.000 ^{+0.003} / _{+0.000}	2.500 ^{+0.000} / _{-.003}	2.999 ^{+0.000} / _{-.002}	3.000 ^{+0.003} / _{+0.000}	.375 \pm .012	32.42
U25-2.50-37ZF	2-1/2	3	3/8	.413 ^{+0.015} / _{+0.000}	2.500 ^{+0.000} / _{-.002}	2.501 ^{+0.003} / _{+0.000}	3.000 ^{+0.003} / _{+0.000}	2.500 ^{+0.000} / _{-.003}	2.999 ^{+0.000} / _{-.002}	3.000 ^{+0.003} / _{+0.000}	.375 \pm .012	29.75
U25-2.62-37DZ	2-5/8	3-1/8	3/8	.413 ^{+0.015} / _{+0.000}	2.625 ^{+0.000} / _{-.002}	2.626 ^{+0.003} / _{+0.000}	3.125 ^{+0.003} / _{+0.000}	2.625 ^{+0.000} / _{-.003}	3.124 ^{+0.000} / _{-.002}	3.125 ^{+0.003} / _{+0.000}	.383 ^{+0.012} / _{-.020}	24.85
U25-2.62-37Z	2-5/8	3-1/8	3/8	.413 ^{+0.015} / _{+0.000}	2.625 ^{+0.000} / _{-.002}	2.626 ^{+0.003} / _{+0.000}	3.125 ^{+0.003} / _{+0.000}	2.625 ^{+0.000} / _{-.003}	3.124 ^{+0.000} / _{-.002}	3.125 ^{+0.003} / _{+0.000}	.375 \pm .012	29.71
U25-2.75-37DZ	2-3/4	3-1/4	3/8	.413 ^{+0.015} / _{+0.000}	2.750 ^{+0.000} / _{-.002}	2.751 ^{+0.003} / _{+0.000}	3.250 ^{+0.003} / _{+0.000}	2.750 ^{+0.000} / _{-.003}	3.249 ^{+0.000} / _{-.002}	3.250 ^{+0.003} / _{+0.000}	.383 ^{+0.012} / _{-.020}	28.35
U25-2.75-37DZLF	2-3/4	3-1/4	3/8	.413 ^{+0.015} / _{+0.000}	2.750 ^{+0.000} / _{-.002}	2.751 ^{+0.003} / _{+0.000}	3.250 ^{+0.003} / _{+0.000}	2.750 ^{+0.000} / _{-.003}	3.249 ^{+0.000} / _{-.002}	3.250 ^{+0.003} / _{+0.000}	.383 ^{+0.012} / _{-.020}	38.31
U25-2.75-37DZR	2-3/4	3-1/4	3/8	.413 ^{+0.015} / _{+0.000}	2.750 ^{+0.000} / _{-.002}	2.751 ^{+0.003} / _{+0.000}	3.250 ^{+0.003} / _{+0.000}	N/A	N/A	N/A	.383 ^{+0.012} / _{-.020}	98.56
U25-2.75-37Z	2-3/4	3-1/4	3/8	.413 ^{+0.015} / _{+0.000}	2.750 ^{+0.000} / _{-.002}	2.751 ^{+0.003} / _{+0.000}	3.250 ^{+0.003} / _{+0.000}	2.750 ^{+0.000} / _{-.003}	3.249 ^{+0.000} / _{-.002}	3.250 ^{+0.003} / _{+0.000}	.375 \pm .012	34.13
U25-3.00-37DZ	3	3-1/2	3/8	.413 ^{+0.015} / _{+0.000}	3.000 ^{+0.000} / _{-.002}	3.001 ^{+0.003} / _{+0.000}	3.500 ^{+0.003} / _{+0.000}	3.000 ^{+0.000} / _{-.003}	3.499 ^{+0.000} / _{-.002}	3.500 ^{+0.003} / _{+0.000}	.383 ^{+0.012} / _{-.020}	31.16
U25-3.00-37DZF	3	3-1/2	3/8	.413 ^{+0.015} / _{+0.000}	3.000 ^{+0.000} / _{-.002}	3.001 ^{+0.003} / _{+0.000}	3.500 ^{+0.003} / _{+0.000}	3.000 ^{+0.000} / _{-.003}	3.499 ^{+0.000} / _{-.002}	3.500 ^{+0.003} / _{+0.000}	.383 ^{+0.012} / _{-.020}	35.09
U25-3.00-37DZR	3	3-1/2	3/8	.413 ^{+0.015} / _{+0.000}	3.000 ^{+0.000} / _{-.002}	3.001 ^{+0.003} / _{+0.000}	3.500 ^{+0.003} / _{+0.000}	N/A	N/A	N/A	.383 ^{+0.012} / _{-.020}	113.80
U25-3.00-37Z	3	3-1/2	3/8	.413 ^{+0.015} / _{+0.000}	3.000 ^{+0.000} / _{-.002}	3.001 ^{+0.003} / _{+0.000}	3.500 ^{+0.003} / _{+0.000}	3.000 ^{+0.000} / _{-.003}	3.499 ^{+0.000} / _{-.002}	3.500 ^{+0.003} / _{+0.000}	.375 \pm .012	38.27
U25-3.25-37DZR	3-1/4	3-3/4	3/8	.413 ^{+0.010} / _{+0.000}	3.250 ^{+0.000} / _{-.002}	3.251 ^{+0.002} / _{+0.000}	3.750 ^{+0.003} / _{+0.000}	N/A	N/A	N/A	.383 ^{+0.012} / _{-.020}	131.05
U25-3.25-37Z	3-1/4	3-3/4	3/8	.413 ^{+0.015} / _{+0.000}	3.250 ^{+0.000} / _{-.002}	3.251 ^{+0.003} / _{+0.000}	3.750 ^{+0.003} / _{+0.000}	3.250 ^{+0.000} / _{-.003}	3.749 ^{+0.000} / _{-.002}	3.750 ^{+0.003} / _{+0.000}	.375 \pm .012	40.08
U25-3.50-37DZ	3-1/2	4	3/8	.413 ^{+0.015} / _{+0.000}	3.500 ^{+0.000} / _{-.002}	3.501 ^{+0.003} / _{+0.000}	4.000 ^{+0.003} / _{+0.000}	3.500 ^{+0.000} / _{-.003}	3.999 ^{+0.000} / _{-.002}	4.000 ^{+0.003} / _{+0.000}	.383 ^{+0.012} / _{-.020}	39.78
U25-3.50-37DZF	3-1/2	4	3/8	.413 ^{+0.015} / _{+0.000}	3.500 ^{+0.000} / _{-.002}	3.501 ^{+0.003} / _{+0.000}	4.000 ^{+0.003} / _{+0.000}	3.500 ^{+0.000} / _{-.003}	3.999 ^{+0.000} / _{-.002}	4.000 ^{+0.003} / _{+0.000}	.383 ^{+0.012} / _{-.020}	40.56
U25-3.50-37DZR	3-1/2	4	3/8	.413 ^{+0.010} / _{+0.000}	3.500 ^{+0.000} / _{-.002}	3.501 ^{+0.003} / _{+0.000}	4.000 ^{+0.003} / _{+0.000}	N/A	N/A	N/A	.383 ^{+0.012} / _{-.020}	148.26
U25-3.50-37Z	3-1/2	4	3/8	.413 ^{+0.015} / _{+0.000}	3.500 ^{+0.000} / _{-.002}	3.501 ^{+0.003} / _{+0.000}	4.000 ^{+0.003} / _{+0.000}	3.500 ^{+0.000} / _{-.003}	3.999 ^{+0.000} / _{-.002}	4.000 ^{+0.003} / _{+0.000}	.375 \pm .012	43.72
U25-3.75-37DZL	3-3/4	4-1/4	3/8	.413 ^{+0.015} / _{+0.000}	3.750 ^{+0.000} / _{-.002}	3.751 ^{+0.003} / _{+0.000}	4.250 ^{+0.003} / _{+0.000}	3.750 ^{+0.000} / _{-.003}	4.249 ^{+0.000} / _{-.002}	4.250 ^{+0.003} / _{+0.000}	.383 ^{+0.012} / _{-.020}	43.99
U25-3.75-37Z	3-3/4	4-1/4	3/8	.413 ^{+0.015} / _{+0.000}	3.750 ^{+0.000} / _{-.002}	3.751 ^{+0.003} / _{+0.000}	4.250 ^{+0.003} / _{+0.000}	3.750 ^{+0.000} / _{-.003}	4.249 ^{+0.000} / _{-.002}	4.250 ^{+0.003} / _{+0.000}	.375 \pm .012	44.09
U25-3.75-56DZ	3-3/4	4-1/4	9/16	.619 ^{+0.015} / _{+0.000}	3.750 ^{+0.000} / _{-.002}	3.751 ^{+0.003} / _{+0.000}	4.250 ^{+0.003} / _{+0.000}	3.750 ^{+0.000} / _{-.003}	4.249 ^{+0.000} / _{-.002}	4.250 ^{+0.003} / _{+0.000}	.510 ^{+0.068} / _{-.016}	71.34
U25-3.87-37DZL	3-7/8	4-3/8	3/8	.413 ^{+0.015} / _{+0.000}	3.875 ^{+0.000} / _{-.002}	3.876 ^{+0.003} / _{+0.000}	4.375 ^{+0.003} / _{+0.000}	3.875 ^{+0.000} / _{-.003}	4.374 ^{+0.000} / _{-.002}	4.375 ^{+0.003} / _{+0.000}	.383 ^{+0.012} / _{-.020}	46.20
U25-4.00-37DZLF	4	4-1/2	3/8	.413 ^{+0.015} / _{+0.000}	4.000 ^{+0.000} / _{-.002}	4.001 ^{+0.003} / _{+0.000}	4.500 ^{+0.003} / _{+0.000}	4.000 ^{+0.000} / _{-.003}	4.499 ^{+0.000} / _{-.002}	4.500 ^{+0.003} / _{+0.000}	.383 ^{+0.012} / _{-.020}	52.74
U25-4.00-37Z	4	4-1/2	3/8	.413 ^{+0.015} / _{+0.000}	4.000 ^{+0.000} / _{-.002}	4.001 ^{+0.003} / _{+0.000}	4.500 ^{+0.003} / _{+0.000}	4.000 ^{+0.000} / _{-.003}	4.499 ^{+0.000} / _{-.002}	4.500 ^{+0.003} / _{+0.000}	.375 \pm .012	51.02
U25-4.00-56DZR	4	4-1/2	.562	.618 ^{+0.010} / _{+0.000}	4.000 ^{+0.000} / _{-.002}	4.001 ^{+0.003} / _{+0.000}	4.500 ^{+0.003} / _{+0.000}	N/A	N/A	N/A	.510 ^{+0.068} / _{-.016}	181.62
U25-4.50-37DZR	4-1/2	5	3/8	.413 ^{+0.015} / _{+0.000}	4.500 ^{+0.000} / _{-.002}	4.501 ^{+0.003} / _{+0.000}	5.000 ^{+0.003} / _{+0.000}	N/A	N/A	N/A	.383 ^{+0.012} / _{-.020}	217.20
U25-4.50-37Z	4-1/2	5	3/8	.413 ^{+0.015} / _{+0.000}	4.500 ^{+0.000} / _{-.002}	4.501 ^{+0.003} / _{+0.000}	5.000 ^{+0.003} / _{+0.000}	4.500 ^{+0.000} / _{-.003}	4.999 ^{+0.000} / _{-.002}	5.000 ^{+0.003} / _{+0.000}	.375 \pm .012	58.58
U25-4.50-56DZ	4-1/2	5	9/16	.619 ^{+0.015} / _{+0.000}	4.500 ^{+0.000} / _{-.002}	4.501 ^{+0.003} / _{+0.000}	5.000 ^{+0.003} / _{+0.000}	4.500 ^{+0.000} / _{-.003}	4.999 ^{+0.000} / _{-.002}	5.000 ^{+0.003} / _{+0.000}	.510 ^{+0.068} / _{-.016}	49.28
U25-5.00-56Z	5	5-1/2	9/16	.619 ^{+0.015} / _{+0.000}	5.000 ^{+0.000} / _{-.002}	5.001 ^{+0.003} / _{+0.000}	5.500 ^{+0.003} / _{+0.000}	5.000 ^{+0.000} / _{-.003}	5.499 ^{+0.000} / _{-.002}	5.500 ^{+0.003} / _{+0.000}	.562 \pm .016	59.41
U25-5.25-56DZ	5-1/4	5-3/4	9/16	.619 ^{+0.015} / _{+0.000}	5.250 ^{+0.000} / _{-.002}	5.251 ^{+0.003} / _{+0.000}	5.750 ^{+0.003} / _{+0.000}	5.250 ^{+0.000} / _{-.003}	5.749 ^{+0.000} / _{-.002}	5.750 ^{+0.003} / _{+0.000}	.510 ^{+0.068} / _{-.016}	71.34
U25-5.50-37Z	5-1/2	6	3/8	.413 ^{+0.015} / _{+0.000}	5.500 ^{+0.000} / _{-.002}	5.501 ^{+0.003} / _{+0.000}	6.000 ^{+0.003} / _{+0.000}	5.500 ^{+0.000} / _{-.003}	5.999 ^{+0.000} / _{-.002}	6.000 ^{+0.003} / _{+0.000}	.375 \pm .012	73.57
U25-5.50-56ZF	5-1/2	6	9/16	.619 ^{+0.015} / _{+0.000}	5.500 ^{+0.000} / _{-.002}	5.501 ^{+0.003} / _{+0.000}	6.000 ^{+0.003} / _{+0.000}	5.500 ^{+0.000} / _{-.003}	5.999 ^{+0.000} / _{-.002}	6.000 ^{+0.003} / _{+0.000}	.562 \pm .016	81.57
U25-6.50-37DZ	6-1/2	7	3/8	.413 ^{+0.015} / _{+0.000}	6.500 ^{+0.000} / _{-.002}	6.501 ^{+0.003} / _{+0.000}	7.000 ^{+0.003} / _{+0.000}	6.500 ^{+0.000} / _{-.003}	6.999 ^{+0.000} / _{-.002}	7.000 ^{+0.003} / _{+0.000}	.383 ^{+0.012} / _{-.020}	78.86

Z-SEALS



U-SEALS

Part Number	A Nom. ID	B Nom. OD	C Nom. Ht	D GROOVE WIDTH	E ROD DIAMETER	F THROAT DIAMETER	G HOUSING DIAMETER	H GROOVE DIAMETER	I PISTON DIAMETER	J BORE DIAMETER	C HEIGHT	List Price
5/16" C/S												
U31-1.37-50Z	1-3/8	2	1/2	.550 +.015 +0.000	1.375 +.000 -0.002	1.377 +.003 +0.000	2.000 +.004 +0.000	1.375 +.000 -0.004	1.998 +.000 -0.002	2.000 +.003 +0.000	.500 ±.012	\$23.11
U31-1.87-50Z	1-7/8	2-1/2	1/2	.550 +.015 +0.000	1.875 +.000 -0.002	1.877 +.003 +0.000	2.500 +.004 +0.000	1.875 +.000 -0.004	2.498 +.000 -0.002	2.500 +.003 +0.000	.500 ±.012	30.12
U31-2.50-50DZL	2-1/2	3-1/8	1/2	.550 +.015 +0.000	2.500 +.000 -0.002	2.502 +.003 +0.000	3.125 +.004 +0.000	2.500 +.000 -0.004	3.123 +.000 -0.002	3.125 +.003 +0.000	.481 +.031 -0.012	31.79
U31-3.00-50DZLF	3	3-5/8	1/2	.550 +.015 +0.000	3.000 +.000 -0.002	3.002 +.003 +0.000	3.625 +.004 +0.000	3.000 +.000 -0.004	3.623 +.000 -0.002	3.625 +.003 +0.000	.481 +.031 -0.012	46.88
U31-3.50-50DZ	3-1/2	4-1/8	1/2	.550 +.015 +0.000	3.500 +.000 -0.002	3.502 +.003 +0.000	4.125 +.004 +0.000	3.500 +.000 -0.004	4.123 +.000 -0.002	4.125 +.003 +0.000	.481 +.031 -0.012	45.53
U31-4.50-62DZLF	4-1/2	5-1/8	5/8	.688 +.015 +0.000	4.500 +.000 -0.002	4.502 +.003 +0.000	5.125 +.004 +0.000	4.500 +.000 -0.004	5.123 +.000 -0.002	5.125 +.003 +0.000	.625 ±.016	80.21
U31-4.50-62DZRF	4-1/2	5-1/8	5/8	.688 +.015 +0.000	4.500 +.000 -0.002	4.502 +.003 +0.000	5.125 +.004 +0.000	N/A	N/A	N/A	.625 +.016 -0.018	161.84
U31-4.50-62Z	4-1/2	5-1/8	5/8	.688 +.015 +0.000	4.500 +.000 -0.002	4.502 +.003 +0.000	5.125 +.004 +0.000	4.500 +.000 -0.004	5.123 +.000 -0.002	5.125 +.003 +0.000	.625 ±.016	60.39
U31-7.00-62DZ	7	7-5/8	5/8	.688 +.015 +0.000	7.000 +.000 -0.002	7.002 +.003 +0.000	7.625 +.004 +0.000	7.000 +.000 -0.004	7.623 +.000 -0.002	7.625 +.003 +0.000	.559 ±.016	254.91
U31-7.00-62DZR	7	7-5/8	5/8	.688 +.100 +0.000	7.000 +.000 -0.002	7.002 +.003 +0.000	7.625 +.004 +0.000	N/A	N/A	N/A	.577 +.064 -0.016	465.33
U31-10.50-62DZ	10-1/2	11-1/8	5/8	.688 +.015 +0.000	10.500 +.000 -0.002	10.502 +.003 +0.000	11.125 +.004 +0.000	10.500 +.000 -0.004	11.123 +.000 -0.002	11.125 +.003 +0.000	.559 ±.016	474.97
U31-10.50-62DZR	10-1/2	11-1/8	5/8	.688 +.010 +0.000	10.500 +.000 -0.002	10.502 +.003 +0.000	11.125 +.004 +0.000	N/A	N/A	N/A	.577 +.064 -0.016	626.66
U31-13.00-62DZR	13	13-5/8	5/8	.688 +.015 +0.000	13.000 +.000 -0.002	13.002 +.003 +0.000	13.625 +.004 +0.000	N/A	N/A	N/A	.559 ±.016	667.35
3/8" C/S												
U37-1.75-62Z	1-3/4	2-1/2	5/8	.688 +.015 +0.000	1.750 +.000 -0.002	1.752 +.004 +0.000	2.500 +.005 +0.000	1.750 +.000 -0.005	2.498 +.000 -0.002	2.500 +.004 +0.000	.625 ±.016	\$34.92
U37-2.25-62Z	2-1/4	3	5/8	.688 +.015 +0.000	2.250 +.000 -0.002	2.252 +.004 +0.000	3.000 +.005 +0.000	2.250 +.000 -0.005	2.998 +.000 -0.002	3.000 +.004 +0.000	.625 ±.016	36.73
U37-2.50-62DZ	2-1/2	3-1/4	5/8	.688 +.015 +0.000	2.500 +.000 -0.002	2.502 +.004 +0.000	3.250 +.005 +0.000	2.500 +.000 -0.005	3.248 +.000 -0.002	3.250 +.004 +0.000	.577 +.064 -0.016	41.92
U37-2.50-62Z	2-1/2	3-1/4	5/8	.688 +.015 +0.000	2.500 +.000 -0.002	2.502 +.004 +0.000	3.250 +.005 +0.000	2.500 +.000 -0.005	3.248 +.000 -0.002	3.250 +.004 +0.000	.625 ±.016	37.54
U37-2.62-62Z	2-5/8	3-3/8	5/8	.688 +.015 +0.000	2.625 +.000 -0.002	2.627 +.004 +0.000	3.375 +.005 +0.000	2.625 +.000 -0.005	3.373 +.000 -0.002	3.375 +.004 +0.000	.625 ±.016	49.32
U37-2.75-62Z	2-3/4	3-1/2	5/8	.688 +.015 +0.000	2.750 +.000 -0.002	2.752 +.004 +0.000	3.500 +.005 +0.000	2.750 +.000 -0.005	3.498 +.000 -0.002	3.500 +.004 +0.000	.625 ±.016	40.82
U37-3.00-62Z	3	3-3/4	5/8	.688 +.015 +0.000	3.000 +.000 -0.002	3.002 +.004 +0.000	3.750 +.005 +0.000	3.000 +.000 -0.005	3.748 +.000 -0.002	3.750 +.004 +0.000	.625 ±.016	41.79
U37-3.25-62Z	3-1/4	4	5/8	.688 +.015 +0.000	3.250 +.000 -0.002	3.252 +.004 +0.000	4.000 +.005 +0.000	3.250 +.000 -0.005	3.998 +.000 -0.002	4.000 +.004 +0.000	.625 ±.016	47.30
U37-3.50-62DZ	3-1/2	4-1/4	5/8	.688 +.015 +0.000	3.500 +.000 -0.002	3.502 +.004 +0.000	4.250 +.005 +0.000	3.500 +.000 -0.005	4.248 +.000 -0.002	4.250 +.004 +0.000	.577 +.064 -0.016	56.71
U37-3.62-62Z	3-5/8	4-3/8	5/8	.688 +.015 +0.000	3.625 +.000 -0.002	3.627 +.004 +0.000	4.375 +.005 +0.000	3.625 +.000 -0.005	4.373 +.000 -0.002	4.375 +.004 +0.000	.625 ±.016	66.08
U37-3.75-62Z	3-3/4	4-1/2	5/8	.688 +.015 +0.000	3.750 +.000 -0.002	3.752 +.004 +0.000	4.500 +.005 +0.000	3.750 +.000 -0.005	4.498 +.000 -0.002	4.500 +.004 +0.000	.625 ±.016	53.97
U37-4.00-62DZ	4	4-3/4	5/8	.688 +.015 +0.000	4.000 +.000 -0.002	4.002 +.004 +0.000	4.750 +.005 -0.750	4.000 +.000 -0.005	4.748 +.000 -0.002	4.750 +.004 +0.000	.577 +.064 -0.016	70.29
U37-4.00-62Z	4	4-3/4	5/8	.688 +.015 +0.000	4.000 +.000 -0.002	4.002 +.004 +0.000	4.750 +.005 +0.000	4.000 +.000 -0.005	4.748 +.000 -0.002	4.750 +.004 +0.000	.625 ±.016	70.29
U37-4.25-62Z	4-1/4	5	5/8	.688 +.015 +0.000	4.250 +.000 -0.002	4.252 +.004 +0.000	5.000 +.005 +0.000	4.250 +.000 -0.005	4.998 +.000 -0.002	5.000 +.004 +0.000	.625 ±.016	57.39
U37-4.37-50Z	4-3/8	5-1/8	1/2	.550 +.015 +0.000	4.375 +.000 -0.002	4.377 +.004 +0.000	5.125 +.005 +0.000	4.375 +.000 -0.005	5.123 +.000 -0.002	5.125 +.004 +0.000	.500 ±.012	97.73
U37-4.50-62DZ	4-1/2	5-1/4	5/8	.688 +.015 +0.000	4.500 +.000 -0.002	4.502 +.004 +0.000	5.250 +.005 +0.000	4.500 +.000 -0.005	5.248 +.000 -0.002	5.250 +.004 +0.000	.577 +.064 -0.016	70.34
U37-4.50-62DZR	4-1/2	5-1/4	5/8	.688 +.015 +0.000	4.500 +.000 -0.002	4.502 +.004 +0.000	5.250 +.005 +0.000	N/A	N/A	N/A	.577 +.064 -0.016	172.74
U37-4.50-62Z	4-1/2	5-1/4	5/8	.688 +.015 +0.000	4.500 +.000 -0.002	4.502 +.004 +0.000	5.250 +.005 +0.000	4.500 +.000 -0.005	5.248 +.000 -0.002	5.250 +.004 +0.000	.625 ±.016	79.39



Z-SEALS

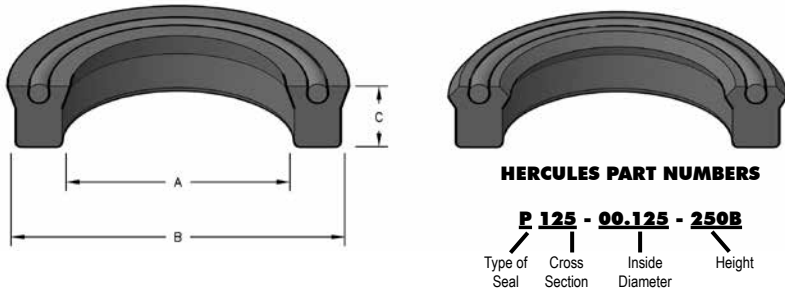
U-SEALS

Part Number	A Nom. ID	B Nom. OD	C Nom. Ht	D GROOVE WIDTH	E ROD DIAMETER	F THROAT DIAMETER	G HOUSING DIAMETER	H GROOVE DIAMETER	I PISTON DIAMETER	J BORE DIAMETER	C HEIGHT	List Price
U37-4.75-62DZLF	4-3/4	5-1/2	5/8	.688 ^{+0.015} / _{+0.000}	4.750 ^{+0.000} / _{-.002}	4.752 ^{+0.004} / _{+0.000}	5.500 ^{+0.005} / _{+0.000}	4.750 ^{+0.000} / _{-.005}	5.498 ^{+0.000} / _{-.002}	5.500 ^{+0.004} / _{+0.000}	.577 ^{+0.064} / _{-.016}	76.96
U37-4.75-62Z	4-3/4	5-1/2	5/8	.688 ^{+0.015} / _{+0.000}	4.750 ^{+0.000} / _{-.002}	4.752 ^{+0.004} / _{+0.000}	5.500 ^{+0.005} / _{+0.000}	4.750 ^{+0.000} / _{-.005}	5.498 ^{+0.000} / _{-.002}	5.500 ^{+0.004} / _{+0.000}	.625 \pm .016	65.71
U37-5.00-62DZLF	5	5-3/4	5/8	.688 ^{+0.015} / _{+0.000}	5.000 ^{+0.000} / _{-.002}	5.002 ^{+0.004} / _{+0.000}	5.750 ^{+0.005} / _{+0.000}	5.000 ^{+0.000} / _{-.005}	5.748 ^{+0.000} / _{-.002}	5.750 ^{+0.004} / _{+0.000}	.577 ^{+0.064} / _{-.016}	80.61
U37-5.25-62DZR	5-1/4	6	5/8	.688 ^{+0.015} / _{+0.000}	5.250 ^{+0.000} / _{-.002}	5.252 ^{+0.004} / _{+0.000}	6.000 ^{+0.005} / _{+0.000}	N/A	N/A	N/A	.577 ^{+0.064} / _{-.016}	218.29
U37-5.25-62Z	5-1/4	6	5/8	.688 ^{+0.015} / _{+0.000}	5.250 ^{+0.000} / _{-.002}	5.252 ^{+0.004} / _{+0.000}	6.000 ^{+0.005} / _{+0.000}	5.250 ^{+0.000} / _{-.005}	5.998 ^{+0.000} / _{-.002}	6.000 ^{+0.004} / _{+0.000}	.625 \pm .016	71.74
U37-5.50-62Z	5-1/2	6-1/4	5/8	.688 ^{+0.015} / _{+0.000}	5.500 ^{+0.000} / _{-.002}	5.502 ^{+0.004} / _{+0.000}	6.250 ^{+0.005} / _{+0.000}	5.500 ^{+0.000} / _{-.005}	6.248 ^{+0.000} / _{-.002}	6.250 ^{+0.004} / _{+0.000}	.625 \pm .016	88.90
U37-5.75-62Z	5-3/4	6-1/2	5/8	.688 ^{+0.015} / _{+0.000}	5.750 ^{+0.000} / _{-.002}	5.752 ^{+0.004} / _{+0.000}	6.500 ^{+0.005} / _{+0.000}	5.750 ^{+0.000} / _{-.005}	6.498 ^{+0.000} / _{-.002}	6.500 ^{+0.004} / _{+0.000}	.625 \pm .016	77.25
U37-6.00-56Z	6	6-3/4	9/16	.619 ^{+0.015} / _{+0.000}	6.000 ^{+0.000} / _{-.002}	6.002 ^{+0.004} / _{+0.000}	6.750 ^{+0.005} / _{+0.000}	6.000 ^{+0.000} / _{-.005}	6.748 ^{+0.000} / _{-.002}	6.750 ^{+0.004} / _{+0.000}	.562 \pm .016	107.69
U37-6.00-62Z	6	6-3/4	5/8	.688 ^{+0.015} / _{+0.000}	6.000 ^{+0.000} / _{-.002}	6.002 ^{+0.004} / _{+0.000}	6.750 ^{+0.005} / _{+0.000}	6.000 ^{+0.000} / _{-.005}	6.748 ^{+0.000} / _{-.002}	6.750 ^{+0.004} / _{+0.000}	.625 \pm .016	103.88
U37-6.25-50Z	6-1/4	7	1/2	.550 ^{+0.015} / _{+0.000}	6.250 ^{+0.000} / _{-.002}	6.252 ^{+0.004} / _{+0.000}	7.000 ^{+0.005} / _{+0.000}	6.250 ^{+0.000} / _{-.005}	6.998 ^{-.002} / _{+0.000}	7.000 ^{+0.004} / _{+0.000}	.500 \pm .016	132.73
U37-6.25-62Z	6-1/4	7	5/8	.688 ^{+0.015} / _{+0.000}	6.250 ^{+0.000} / _{-.002}	6.252 ^{+0.004} / _{+0.000}	7.000 ^{+0.005} / _{+0.000}	6.250 ^{+0.000} / _{-.005}	6.998 ^{+0.000} / _{-.002}	7.000 ^{+0.004} / _{+0.000}	.625 \pm .016	81.88
U37-7.00-62DZ	7	7-3/4	5/8	.688 ^{+0.015} / _{+0.000}	7.000 ^{+0.000} / _{-.002}	7.002 ^{+0.004} / _{+0.000}	7.750 ^{+0.005} / _{+0.000}	7.000 ^{+0.000} / _{-.005}	7.748 ^{+0.000} / _{-.002}	7.750 ^{+0.004} / _{+0.000}	.577 ^{+0.064} / _{-.016}	86.09
U37-7.00-62DZR	7	7-3/4	5/8	.688 ^{+0.015} / _{+0.000}	7.000 ^{+0.000} / _{-.002}	7.002 ^{+0.004} / _{+0.000}	7.750 ^{+0.005} / _{+0.000}	N/A	N/A	N/A	.577 ^{+0.064} / _{-.016}	404.71
U37-7.00-62DZRF	7	7-3/4	5/8	.688 ^{+0.010} / _{+0.000}	7.000 ^{+0.000} / _{-.002}	7.002 ^{+0.005} / _{+0.000}	7.750 ^{+0.005} / _{+0.000}	N/A	N/A	N/A	.577 ^{+0.064} / _{-.016}	281.81
U37-8.00-62DZRF	8	8-3/4	5/8	.688 ^{+0.015} / _{+0.000}	8.000 ^{+0.000} / _{-.002}	8.002 ^{+0.004} / _{+0.000}	8.750 ^{+0.005} / _{+0.000}	N/A	N/A	N/A	.577 ^{+0.064} / _{-.016}	380.68
1/2" C/S												
U50-8.00-75DZ	8	9	3/4	.825 ^{+0.015} / _{+0.000}	8.000 ^{+0.000} / _{-.003}	8.002 ^{+0.005} / _{+0.000}	9.000 ^{+0.007} / _{+0.000}	8.000 ^{+0.000} / _{-.007}	8.998 ^{+0.000} / _{-.003}	9.000 ^{+0.005} / _{+0.000}	.768 ^{+0.022} / _{-.040}	\$150.07
U50-12.00-75DZR	12	13	3/4	.825 ^{+0.015} / _{+0.000}	12.000 ^{+0.000} / _{-.003}	12.002 ^{+0.005} / _{+0.000}	13.000 ^{+0.007} / _{+0.000}	N/A	N/A	N/A	.768 ^{+0.022} / _{-.040}	342.10
U50-14.00-75DZR	14	15	3/4	.825 ^{+0.015} / _{+0.000}	14.000 ^{+0.000} / _{-.003}	14.002 ^{+0.005} / _{+0.000}	15.000 ^{+0.007} / _{+0.000}	N/A	N/A	N/A	.768 ^{+0.022} / _{-.040}	358.16
U50-15.75-75DZR	15-3/4	16-3/4	3/4	.825 ^{+0.010} / _{+0.000}	15.750 ^{+0.000} / _{-.003}	15.752 ^{+0.005} / _{+0.000}	16.750 ^{+0.007} / _{+0.000}	N/A	N/A	N/A	.768 ^{+0.022} / _{-.040}	1377.68

STYLE 850 POLYURETHANE U-SEALS



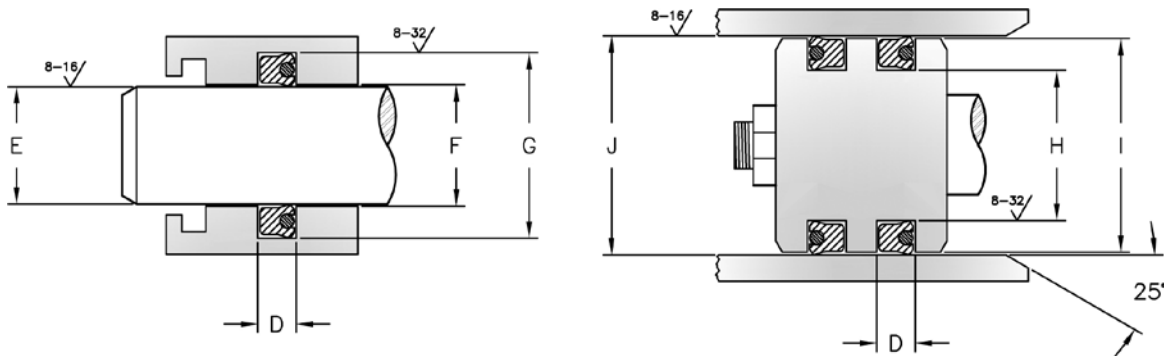
Style 850 u-seals offer excellent resistance to extrusion and abrasion. The round cross-section expander offers energized sealing from zero to 5,000 psi.



SEAL INFORMATION	
MATERIAL	95A URETHANE
TEMPERATURE RANGE	-40° TO +200° F
PRESSURE RANGE	0 TO 5,000 PSI
SPEED	3 FT/SEC

BHN = 85A DUROMETER HYDROGENATED NITRILE -50° to +320° F

BPM = 58D DUROMETER POLYMYTE -65° to +275° F / -65° to +180° F IN WATER BASED FLUIDS



Standard -
Height and cross section are equal, thus giving a square seal. Utilizes type "D" lip
Typical Part Number P250-02.500



Deep -
Utilizes the same "D" lip, but the seal height is greater than the cross section, thus giving a rectangular shape.
Typical Part Number P250-02.500-37D



Type B -
Same dimensions as the Deep seal. Beveled lip design provides better film breaking. Utilizes type "B" lip.
Typical Part Number P250-02.500-375B

Part Number	A Nom. ID	B Nom. OD	C Nom. Ht	D GROOVE WIDTH	E ROD DIAMETER	F THROAT DIAMETER	G HOUSING DIAMETER	H GROOVE DIAMETER	I PISTON DIAMETER	J BORE DIAMETER	List Price
1/8" C/S											
P125-00.062	1/16	5/16	1/8	.138 ^{+0.015} / _{+0.000}	.062 ^{+0.000} / _{-0.001}	.063 ^{+0.002} / _{+0.000}	.313 ^{+0.002} / _{+0.000}	.062 ^{+0.000} / _{-0.002}	.311 ^{+0.000} / _{-0.001}	.313 ^{+0.002} / _{+0.000}	\$ 6.52
P125-00.125-250B	1/8	3/8	1/4	.275 ^{+0.015} / _{+0.000}	.125 ^{+0.000} / _{-0.001}	.126 ^{+0.002} / _{+0.000}	.375 ^{+0.002} / _{+0.000}	.125 ^{+0.000} / _{-0.002}	.374 ^{+0.000} / _{-0.001}	.375 ^{+0.002} / _{+0.000}	9.76
P125-00.187-250B	3/16	7/16	1/4	.275 ^{+0.015} / _{+0.000}	.187 ^{+0.000} / _{-0.001}	.188 ^{+0.002} / _{+0.000}	.438 ^{+0.002} / _{+0.000}	.187 ^{+0.000} / _{-0.002}	.436 ^{+0.000} / _{-0.001}	.438 ^{+0.002} / _{+0.000}	6.70
P125-00.250	1/4	1/2	1/8	.138 ^{+0.015} / _{+0.000}	.250 ^{+0.000} / _{-0.001}	.251 ^{+0.002} / _{+0.000}	.500 ^{+0.002} / _{+0.000}	.250 ^{+0.000} / _{-0.002}	.499 ^{+0.000} / _{-0.001}	.500 ^{+0.002} / _{+0.000}	6.52
P125-00.250-250B	1/4	1/2	1/4	.275 ^{+0.015} / _{+0.000}	.250 ^{+0.000} / _{-0.001}	.251 ^{+0.002} / _{+0.000}	.500 ^{+0.002} / _{+0.000}	.250 ^{+0.000} / _{-0.002}	.499 ^{+0.000} / _{-0.001}	.500 ^{+0.002} / _{+0.000}	6.89
P125-00.312-250B	5/16	9/16	1/4	.275 ^{+0.015} / _{+0.000}	.312 ^{+0.000} / _{-0.001}	.313 ^{+0.002} / _{+0.000}	.563 ^{+0.002} / _{+0.000}	.312 ^{+0.000} / _{-0.002}	.561 ^{+0.000} / _{-0.001}	.563 ^{+0.002} / _{+0.000}	7.35
P125-00.375	3/8	5/8	1/8	.138 ^{+0.015} / _{+0.000}	.375 ^{+0.000} / _{-0.001}	.376 ^{+0.002} / _{+0.000}	.625 ^{+0.002} / _{+0.000}	.375 ^{+0.000} / _{-0.002}	.624 ^{+0.000} / _{-0.001}	.625 ^{+0.002} / _{+0.000}	6.52
P125-00.375-187B	3/8	5/8	3/16	.207 ^{+0.015} / _{+0.000}	.375 ^{+0.000} / _{-0.001}	.376 ^{+0.002} / _{+0.000}	.625 ^{+0.002} / _{+0.000}	.375 ^{+0.000} / _{-0.002}	.624 ^{+0.000} / _{-0.001}	.625 ^{+0.002} / _{+0.000}	7.39
P125-00.375-250B	3/8	5/8	1/4	.275 ^{+0.015} / _{+0.000}	.375 ^{+0.000} / _{-0.001}	.376 ^{+0.002} / _{+0.000}	.625 ^{+0.002} / _{+0.000}	.375 ^{+0.000} / _{-0.002}	.624 ^{+0.000} / _{-0.001}	.625 ^{+0.002} / _{+0.000}	8.54
P125-00.500	1/2	3/4	1/8	.138 ^{+0.015} / _{+0.000}	.500 ^{+0.000} / _{-0.001}	.501 ^{+0.002} / _{+0.000}	.750 ^{+0.002} / _{+0.000}	.500 ^{+0.000} / _{-0.002}	.749 ^{+0.000} / _{-0.001}	.750 ^{+0.002} / _{+0.000}	6.52
P125-00.500-125B	1/2	3/4	1/8	.138 ^{+0.015} / _{+0.000}	.500 ^{+0.000} / _{-0.001}	.501 ^{+0.002} / _{+0.000}	.750 ^{+0.002} / _{+0.000}	.500 ^{+0.000} / _{-0.002}	.749 ^{+0.000} / _{-0.001}	.750 ^{+0.002} / _{+0.000}	9.81

FORMERLY LISTED REPAIR PARTS ARE AVAILABLE ONLINE AT WWW.HERCULESUS.COM OR BY CONTACTING YOUR REGIONAL HERCULES SALES TEAM.

STYLE 850 POLYURETHANE U-SEALS

U-SEALS

Part Number	A Nom. ID	B Nom. OD	C Nom. Ht	D GROOVE WIDTH	E ROD DIAMETER	F THROAT DIAMETER	G HOUSING DIAMETER	H GROOVE DIAMETER	I PISTON DIAMETER	J BORE DIAMETER	List Price
P125-00.500-250B	1/2	3/4	1/4	.275 +.015 +0.000	.500 +.000 -.001	.501 +.002 +0.000	.750 +.002 +0.000	.500 +.000 -.002	.749 +.000 -.001	.750 +.002 +0.000	7.59
P125-00.500-250D	1/2	3/4	1/4	.275 +.015 +0.000	.500 +.000 -.001	.501 +.002 +0.000	.750 +.002 +0.000	.500 +.000 -.002	.749 +.000 -.001	.750 +.002 +0.000	7.59
P125-00.562-SQB	9/16	13/16	1/8	.138 +.015 +0.000	.562 +.000 -.001	.563 +.002 +0.000	.813 +.002 +0.000	.562 +.000 -.002	.811 +.000 -.001	.813 +.002 +0.000	6.45
P125-00.625	5/8	7/8	1/8	.138 +.015 +0.000	.625 +.000 -.001	.626 +.002 +0.000	.875 +.002 +0.000	.625 +.000 -.002	.874 +.000 -.001	.875 +.002 +0.000	6.68
P125-00.625-187B	5/8	7/8	3/16	.207 +.015 +0.000	.625 +.000 -.001	.626 +.002 +0.000	.875 +.002 +0.000	.625 +.000 -.002	.874 +.000 -.001	.875 +.002 +0.000	7.84
P125-00.625-250B	5/8	7/8	1/4	.275 +.015 +0.000	.625 +.000 -.001	.626 +.002 +0.000	.875 +.002 +0.000	.625 +.000 -.002	.874 +.000 -.001	.875 +.002 +0.000	7.84
P125-00.687	11/16	15/16	1/8	.138 +.015 +0.000	.687 +.000 -.001	.688 +.002 +0.000	.938 +.002 +0.000	.687 +.000 -.002	.936 +.000 -.001	.938 +.002 +0.000	7.06
P125-00.750	3/4	1	1/8	.138 +.015 +0.000	.750 +.000 -.001	.751 +.002 +0.000	1.000 +.002 +0.000	.750 +.000 -.002	.999 +.000 -.001	1.000 +.002 +0.000	6.89
P125-00.750-125B	3/4	1	1/8	.138 +.015 +0.000	.750 +.000 -.001	.751 +.002 +0.000	1.000 +.002 +0.000	.750 +.000 -.002	.999 +.000 -.001	1.000 +.002 +0.000	9.41
P125-00.750-250B	3/4	1	1/4	.275 +.015 +0.000	.750 +.000 -.001	.751 +.002 +0.000	1.000 +.002 +0.000	.750 +.000 -.002	.999 +.000 -.001	1.000 +.002 +0.000	8.12
P125-00.750-250D	3/4	1	1/4	.275 +.015 +0.000	.750 +.000 -.001	.751 +.002 +0.000	1.000 +.002 +0.000	.750 +.000 -.002	.999 +.000 -.001	1.000 +.002 +0.000	8.12
P125-00.812	13/16	1-1/16	1/8	.138 +.015 +0.000	.812 +.000 -.001	.813 +.002 +0.000	1.063 +.002 +0.000	.812 +.000 -.002	1.061 +.000 -.001	1.063 +.002 +0.000	7.16
P125-00.812-250B	13/16	1-1/16	1/4	.275 +.015 +0.000	.812 +.000 -.001	.813 +.002 +0.000	1.063 +.002 +0.000	.812 +.000 -.002	1.061 +.000 -.001	1.063 +.002 +0.000	17.57
P125-00.875	7/8	1-1/8	1/8	.138 +.015 +0.000	.875 +.000 -.001	.876 +.002 +0.000	1.125 +.002 +0.000	.875 +.000 -.002	1.124 +.000 -.001	1.125 +.002 +0.000	7.16
P125-00.875-187B	7/8	1-1/8	.187	.207 +.015 +0.000	.875 +.000 -.001	.876 +.002 +0.000	1.125 +.002 +0.000	.875 +.000 -.002	1.124 +.000 -.001	1.125 +.002 +0.000	7.32
P125-00.875-250B	7/8	1-1/8	1/4	.275 +.015 +0.000	.875 +.000 -.001	.876 +.002 +0.000	1.125 +.002 +0.000	.875 +.000 -.002	1.124 +.000 -.001	1.125 +.002 +0.000	8.42
P125-00.937	15/16	1-3/16	1/8	.138 +.015 +0.000	.937 +.000 -.001	.938 +.002 +0.000	1.188 +.002 +0.000	.937 +.000 -.002	1.186 +.000 -.001	1.188 +.002 +0.000	10.71
P125-01.000	1	1-1/4	1/8	.138 +.015 +0.000	1.000 +.000 -.001	1.001 +.002 +0.000	1.250 +.002 +0.000	1.000 +.000 -.002	1.249 +.000 -.001	1.250 +.002 +0.000	7.37
P125-01.000-187B	1	1-1/4	3/16	.207 +.015 +0.000	1.000 +.000 -.001	1.001 +.002 +0.000	1.250 +.002 +0.000	1.000 +.000 -.002	1.249 +.000 -.001	1.250 +.002 +0.000	11.20
P125-01.000-250B	1	1-1/4	1/4	.275 +.015 +0.000	1.000 +.000 -.001	1.001 +.002 +0.000	1.250 +.002 +0.000	1.000 +.000 -.002	1.249 +.000 -.001	1.250 +.002 +0.000	8.76
P125-01.000-250D	1	1-1/4	1/4	.275 +.015 +0.000	1.000 +.000 -.001	1.001 +.002 +0.000	1.250 +.002 +0.000	1.000 +.000 -.002	1.249 +.000 -.001	1.250 +.002 +0.000	8.76
P125-01.062-250B	1-1/16	1-5/16	1/4	.275 +.015 +0.000	1.062 +.000 -.001	1.063 +.002 +0.000	1.313 +.002 +0.000	1.062 +.000 -.002	1.311 +.000 -.001	1.313 +.002 +0.000	8.89
P125-01.125	1-1/8	1-3/8	1/8	.138 +.015 +0.000	1.125 +.000 -.001	1.126 +.002 +0.000	1.375 +.002 +0.000	1.125 +.000 -.002	1.374 +.000 -.001	1.375 +.002 +0.000	7.86
P125-01.125-187B	1-1/8	1-3/8	3/16	.207 +.015 +0.000	1.125 +.000 -.001	1.126 +.002 +0.000	1.375 +.002 +0.000	1.125 +.000 -.002	1.374 +.000 -.002	1.375 +.002 +0.000	12.94
P125-01.125-250B	1-1/8	1-3/8	1/4	.275 +.015 +0.000	1.125 +.000 -.001	1.126 +.002 +0.000	1.375 +.002 +0.000	1.125 +.000 -.002	1.374 +.000 -.001	1.375 +.002 +0.000	9.11
P125-01.187	1-3/16	1-7/16	1/8	.138 +.015 +0.000	1.187 +.000 -.001	1.188 +.002 +0.000	1.438 +.002 +0.000	1.187 +.000 -.002	1.436 +.000 -.001	1.438 +.002 +0.000	13.65
P125-01.187-250B	1-3/16	1-7/16	1/4	.275 +.015 +0.000	1.187 +.000 -.001	1.188 +.002 +0.000	1.438 +.002 +0.000	1.187 +.000 -.002	1.436 +.000 -.001	1.438 +.002 +0.000	9.63
P125-01.250	1-1/4	1-1/2	1/8	.138 +.015 +0.000	1.250 +.000 -.001	1.251 +.002 +0.000	1.500 +.002 +0.000	1.250 +.000 -.002	1.499 +.000 -.001	1.500 +.002 +0.000	7.86
P125-01.250-187B	1-1/4	1-1/2	3/16	.207 +.015 +0.000	1.250 +.000 -.001	1.251 +.002 +0.000	1.500 +.002 +0.000	1.250 +.000 -.002	1.499 +.000 -.001	1.500 +.002 +0.000	9.83
P125-01.250-250B	1-1/4	1-1/2	1/4	.275 +.015 +0.000	1.250 +.000 -.001	1.251 +.002 +0.000	1.500 +.002 +0.000	1.250 +.000 -.002	1.499 +.000 -.001	1.500 +.002 +0.000	9.50
P125-01.375	1-3/8	1-5/8	1/8	.138 +.015 +0.000	1.375 +.000 -.001	1.376 +.002 +0.000	1.625 +.002 +0.000	1.375 +.000 -.002	1.624 +.000 -.001	1.625 +.002 +0.000	8.42
P125-01.375-250B	1-3/8	1-5/8	1/4	.275 +.015 +0.000	1.375 +.000 -.001	1.376 +.002 +0.000	1.625 +.002 +0.000	1.375 +.000 -.002	1.624 +.000 -.001	1.625 +.002 +0.000	9.80
P125-01.500	1-1/2	1-3/4	1/8	.138 +.015 +0.000	1.500 +.000 -.001	1.501 +.002 +0.000	1.750 +.002 +0.000	1.500 +.000 -.002	1.749 +.000 -.001	1.750 +.002 +0.000	8.76

STYLE 850 POLYURETHANE U-SEALS



U-SEALS

Part Number	A Nom. ID	B Nom. OD	C Nom. Ht	D GROOVE WIDTH	E ROD DIAMETER	F THROAT DIAMETER	G HOUSING DIAMETER	H GROOVE DIAMETER	I PISTON DIAMETER	J BORE DIAMETER	List Price
P125-01.500-250B	1-1/2	1-3/4	1/4	.275 +.015 +0.000	1.500 +.000 -0.001	1.501 +.002 +0.000	1.750 +.002 +0.000	1.500 +.000 -0.002	1.749 +.000 -0.001	1.750 +.002 +0.000	10.26
P125-01.500-250D	1-1/2	1-3/4	1/4	.275 +.015 +0.000	1.500 +.000 -0.001	1.501 +.002 +0.000	1.750 +.002 +0.000	1.500 +.000 -0.002	1.749 +.000 -0.001	1.750 +.002 +0.000	12.45
P125-01.625	1-5/8	1-7/8	1/8	.138 +.015 +0.000	1.625 +.000 -0.001	1.626 +.002 +0.000	1.875 +.002 +0.000	1.625 +.000 -0.002	1.874 +.000 -0.001	1.875 +.002 +0.000	9.36
P125-01.750	1-3/4	2	1/8	.138 +.015 +0.000	1.750 +.000 -0.001	1.751 +.002 +0.000	2.000 +.002 +0.000	1.750 +.000 -0.002	1.999 +.000 -0.001	2.000 +.002 +0.000	9.33
P125-01.750-250D	1-3/4	2	1/4	.275 +.015 +0.000	1.750 +.000 -0.001	1.751 +.002 +0.000	2.000 +.002 +0.000	1.750 +.000 -0.002	1.999 +.000 -0.001	2.000 +.002 +0.000	11.20
P125-01.875	1-7/8	2-1/8	1/8	.138 +.015 +0.000	1.875 +.000 -0.001	1.876 +.002 +0.000	2.125 +.002 +0.000	1.875 +.000 -0.002	2.124 +.000 -0.001	2.125 +.002 +0.000	10.00
P125-02.000	2	2-1/4	1/8	.138 +.015 +0.000	2.000 +.000 -0.001	2.001 +.002 +0.000	2.250 +.002 +0.000	2.000 +.000 -0.002	2.249 +.000 -0.001	2.250 +.002 +0.000	10.24
P125-02.000-250B	2	2-1/4	1/4	.275 +.015 +0.000	2.000 +.000 -0.001	2.001 +.002 +0.000	2.250 +.002 +0.000	2.000 +.000 -0.002	2.249 +.000 -0.001	2.250 +.002 +0.000	9.98
P125-02.000-250D	2	2-1/4	1/4	.275 +.015 +0.000	2.000 +.000 -0.001	2.001 +.002 +0.000	2.250 +.002 +0.000	2.000 +.000 -0.002	2.249 +.000 -0.001	2.250 +.002 +0.000	9.98
P125-02.500-250B	2-1/2	2-3/4	1/4	.275 +.015 +0.000	2.500 +.000 -0.001	2.501 +.002 +0.000	2.750 +.002 +0.000	2.500 +.000 -0.002	2.749 +.000 -0.001	2.750 +.002 +0.000	13.29
P125-02.750-250B	2-3/4	3	1/4	.275 +.015 +0.000	2.750 +.000 -0.001	2.751 +.002 +0.000	3.000 +.002 +0.000	2.750 +.000 -0.002	2.999 +.000 -0.001	3.000 +.002 +0.000	24.45
P125-03.000	3	3-1/4	1/8	.138 +.015 +0.000	3.000 +.000 -0.001	3.001 +.002 +0.000	3.250 +.002 +0.000	3.000 +.000 -0.002	3.249 +.000 -0.001	3.250 +.002 +0.000	12.82
P125-03.250	3-1/4	3-1/2	1/8	.138 +.015 +0.000	3.250 +.000 -0.001	3.251 +.002 +0.000	3.500 +.002 +0.000	3.250 +.000 -0.002	3.499 +.000 -0.001	3.500 +.002 +0.000	14.36
P125-03.500	3-1/2	3-3/4	1/8	.138 +.015 +0.000	3.500 +.000 -0.001	3.501 +.002 +0.000	3.750 +.002 +0.000	3.500 +.000 -0.002	3.749 +.000 -0.001	3.750 +.002 +0.000	18.44
P125-03.750	3-3/4	4	1/8	.138 +.015 +0.000	3.750 +.000 -0.001	3.751 +.002 +0.000	4.000 +.002 +0.000	3.750 +.000 -0.002	3.999 +.000 -0.001	4.000 +.002 +0.000	17.47
P125-04.500	4-1/2	4-3/4	1/8	.138 +.015 +0.000	4.500 +.000 -0.001	4.501 +.002 +0.000	4.750 +.002 +0.000	4.500 +.000 -0.002	4.749 +.000 -0.001	4.750 +.002 +0.000	22.18
P125-04.750	4-3/4	5	1/8	.138 +.015 +0.000	4.750 +.000 -0.001	4.751 +.002 +0.000	5.000 +.002 +0.000	4.750 +.000 -0.002	4.999 +.000 -0.001	5.000 +.002 +0.000	23.73
5/32" C/S											
P156-01.000	1	1-5/16	5/32	.172 +.015 +0.000	1.000 +.000 -0.002	1.001 +.002 +0.000	1.313 +.002 +0.000	1.000 +.000 -0.002	1.311 +.000 -0.001	1.313 +.002 +0.000	\$9.98
P156-01.187	1-3/16	1-1/2	5/32	.172 +.015 +0.000	1.187 +.000 -0.002	1.188 +.002 +0.000	1.500 +.002 +0.000	1.187 +.000 -0.002	1.499 +.000 -0.001	1.500 +.002 +0.000	9.00
P156-01.375	1-3/8	1-11/16	5/32	.172 +.015 +0.000	1.375 +.000 -0.002	1.376 +.002 +0.000	1.688 +.002 +0.000	1.375 +.000 -0.002	1.686 +.000 -0.001	1.688 +.002 +0.000	11.50
3/16" C/S											
P187-00.375	3/8	3/4	3/16	.207 +.015 +0.000	.375 +.000 -0.002	.376 +.002 +0.000	.750 +.002 +0.000	.375 +.000 -0.002	.749 +.000 -0.002	.750 +.002 +0.000	\$6.77
P187-00.500	1/2	7/8	3/16	.207 +.015 +0.000	.500 +.000 -0.002	.501 +.002 +0.000	.875 +.002 +0.000	.500 +.000 -0.002	.874 +.000 -0.002	.875 +.002 +0.000	7.10
P187-00.500-312B	1/2	7/8	5/16	.344 +.015 +0.000	.500 +.000 -0.002	.501 +.002 +0.000	.875 +.002 +0.000	.500 +.000 -0.002	.874 +.000 -0.002	.875 +.002 +0.000	6.87
P187-00.562	9/16	15/16	3/16	.207 +.015 +0.000	.562 +.000 -0.002	.563 +.002 +0.000	.938 +.002 +0.000	.562 +.000 -0.002	.936 +.000 -0.002	.938 +.002 +0.000	14.26
P187-00.625-312B	5/8	1	5/16	.344 +.015 +0.000	.625 +.000 -0.002	.626 +.002 +0.000	1.000 +.002 +0.000	.625 +.000 -0.002	.999 +.000 -0.002	1.000 +.002 +0.000	8.06
P187-00.750	3/4	1-1/8	3/16	.207 +.015 +0.000	.750 +.000 -0.002	.751 +.002 +0.000	1.125 +.002 +0.000	.750 +.000 -0.002	1.124 +.000 -0.002	1.125 +.002 +0.000	7.62
P187-00.750-312B	3/4	1-1/8	5/16	.344 +.015 +0.000	.750 +.000 -0.002	.751 +.002 +0.000	1.125 +.002 +0.000	.750 +.000 -0.002	1.124 +.000 -0.002	1.125 +.002 +0.000	8.77
P187-00.750-312D	3/4	1-1/8	5/16	.344 +.015 +0.000	.750 +.000 -0.002	.751 +.002 +0.000	1.125 +.002 +0.000	.750 +.000 -0.002	1.124 +.000 -0.002	1.125 +.002 +0.000	8.77
P187-00.875	7/8	1-1/4	3/16	.207 +.015 +0.000	.875 +.000 -0.002	.876 +.002 +0.000	1.250 +.002 +0.000	.875 +.000 -0.002	1.249 +.000 -0.002	1.250 +.002 +0.000	8.24
P187-00.875-312B	7/8	1-1/4	5/16	.344 +.015 +0.000	.875 +.000 -0.002	.876 +.002 +0.000	1.250 +.002 +0.000	.875 +.000 -0.002	1.249 +.000 -0.002	1.250 +.002 +0.000	9.30
P187-00.875-375D	7/8	1-1/4	3/8	.413 +.015 +0.000	.875 +.000 -0.002	.876 +.002 +0.000	1.250 +.002 +0.000	.875 +.000 -0.002	1.249 +.000 -0.002	1.250 +.002 +0.000	15.45

STYLE 850 POLYURETHANE U-SEALS

U-SEALS

Part Number	A Nom. ID	B Nom. OD	C Nom. Ht	D GROOVE WIDTH	E ROD DIAMETER	F THROAT DIAMETER	G HOUSING DIAMETER	H GROOVE DIAMETER	I PISTON DIAMETER	J BORE DIAMETER	List Price
P187-00.937	15/16	1-5/16	3/16	.207 +.015 +0.000	.937 +.000 -0.002	.938 +.002 +0.000	1.313 +.002 +0.000	.937 +.000 -0.002	1.311 +.000 -0.002	1.313 +.002 +0.000	14.25
P187-00.937-312B	15/16	1-5/16	5/16	.344 +.015 +0.000	.937 +.000 -0.002	.938 +.002 +0.000	1.313 +.002 +0.000	.937 +.000 -0.002	1.311 +.000 -0.002	1.313 +.002 +0.000	15.65
P187-01.000	1	1-3/8	3/16	.207 +.015 +0.000	1.000 +.000 -0.002	1.001 +.002 +0.000	1.375 +.002 +0.000	1.000 +.000 -0.002	1.374 +.000 -0.002	1.375 +.002 +0.000	8.33
P187-01.000-287B	1	1-3/8	9/32	.310 +.015 +0.000	1.000 +.000 -0.002	1.001 +.002 +0.000	1.375 +.002 +0.000	1.000 +.000 -0.002	1.374 +.000 -0.002	1.375 +.002 +0.000	13.55
P187-01.000-312B	1	1-3/8	5/16	.344 +.015 +0.000	1.000 +.000 -0.002	1.001 +.002 +0.000	1.375 +.002 +0.000	1.000 +.000 -0.002	1.374 +.000 -0.002	1.375 +.002 +0.000	9.33
P187-01.000-312D	1	1-3/8	5/16	.344 +.015 +0.000	1.000 +.000 -0.002	1.001 +.002 +0.000	1.375 +.002 +0.000	1.000 +.000 -0.002	1.374 +.000 -0.002	1.375 +.002 +0.000	10.85
P187-01.125	1-1/8	1-1/2	3/16	.207 +.015 +0.000	1.125 +.000 -0.002	1.126 +.002 +0.000	1.500 +.002 +0.000	1.125 +.000 -0.002	1.499 +.000 -0.002	1.500 +.002 +0.000	8.76
P187-01.125-187B	1-1/8	1-1/2	3/16	.207 +.015 +0.000	1.125 +.000 -0.002	1.126 +.002 +0.000	1.500 +.002 +0.000	1.125 +.000 -0.002	1.499 +.000 -0.002	1.500 +.002 +0.000	8.76
P187-01.125-312B	1-1/8	1-1/2	5/16	.344 +.015 +0.000	1.125 +.000 -0.002	1.126 +.002 +0.000	1.500 +.002 +0.000	1.125 +.000 -0.002	1.499 +.000 -0.002	1.500 +.002 +0.000	9.78
P187-01.125-344B-BPP4700	1-1/8	1-1/2	11/32	.378 +.015 +0.000	1.125 +.000 -0.002	1.126 +.002 +0.000	1.500 +.002 +0.000	1.125 +.000 -0.002	1.499 +.000 -0.002	1.500 +.002 +0.000	23.22
P187-01.187	1-3/16	1-9/16	3/16	.207 +.015 +0.000	1.187 +.000 -0.002	1.188 +.002 +0.000	1.563 +.002 +0.000	1.187 +.000 -0.002	1.561 +.000 -0.002	1.563 +.002 +0.000	9.07
P187-01.250	1-1/4	1-5/8	3/16	.207 +.015 +0.000	1.250 +.000 -0.002	1.251 +.002 +0.000	1.625 +.002 +0.000	1.250 +.000 -0.002	1.624 +.000 -0.002	1.625 +.002 +0.000	9.77
P187-01.250-250B	1-1/4	1-5/8	1/4	.275 +.015 +0.000	1.250 +.000 -0.002	1.251 +.002 +0.000	1.625 +.002 +0.000	1.250 +.000 -0.002	1.624 +.000 -0.002	1.625 +.002 +0.000	10.55
P187-01.250-312B	1-1/4	1-5/8	5/16	.344 +.015 +0.000	1.250 +.000 -0.002	1.251 +.002 +0.000	1.625 +.002 +0.000	1.250 +.000 -0.002	1.624 +.000 -0.002	1.625 +.002 +0.000	10.04
P187-01.250-312D	1-1/4	1-5/8	5/16	.344 +.015 +0.000	1.250 +.000 -0.002	1.251 +.002 +0.000	1.625 +.002 +0.000	1.250 +.000 -0.002	1.624 +.000 -0.002	1.625 +.002 +0.000	12.91
P187-01.250-375B	1-1/4	1-5/8	3/8	.413 +.015 +0.000	1.250 +.000 -0.002	1.251 +.002 +0.000	1.625 +.002 +0.000	1.250 +.000 -0.002	1.624 +.000 -0.002	1.625 +.002 +0.000	10.41
P187-01.312	1-5/16	1-11/16	3/16	.207 +.015 +0.000	1.312 +.000 -0.002	1.313 +.002 +0.000	1.688 +.002 +0.000	1.312 +.000 -0.002	1.686 +.000 -0.002	1.688 +.002 +0.000	12.54
P187-01.312-312B	1-5/16	1-11/16	5/16	.344 +.015 +0.000	1.312 +.000 -0.002	1.313 +.002 +0.000	1.688 +.002 +0.000	1.312 +.000 -0.002	1.686 +.000 -0.002	1.688 +.002 +0.000	10.30
P187-01.375	1-3/8	1-3/4	3/16	.207 +.015 +0.000	1.375 +.000 -0.002	1.376 +.002 +0.000	1.750 +.002 +0.000	1.375 +.000 -0.002	1.749 +.000 -0.002	1.750 +.002 +0.000	9.50
P187-01.375-312B	1-3/8	1-3/4	5/16	.344 +.015 +0.000	1.375 +.000 -0.002	1.376 +.002 +0.000	1.750 +.002 +0.000	1.375 +.000 -0.002	1.749 +.000 -0.002	1.750 +.002 +0.000	10.64
P187-01.375-312D	1-3/8	1-3/4	5/16	.344 +.015 +0.000	1.375 +.000 -0.002	1.376 +.002 +0.000	1.750 +.002 +0.000	1.375 +.000 -0.002	1.749 +.000 -0.002	1.750 +.002 +0.000	12.91
P187-01.500	1-1/2	1-7/8	3/16	.207 +.015 +0.000	1.500 +.000 -0.002	1.501 +.002 +0.000	1.875 +.002 +0.000	1.500 +.000 -0.002	1.874 +.000 -0.002	1.875 +.002 +0.000	9.74
P187-01.500-187B	1-1/2	1-7/8	3/16	.207 +.015 +0.000	1.500 +.000 -0.002	1.501 +.002 +0.000	1.875 +.002 +0.000	1.500 +.000 -0.002	1.874 +.000 -0.002	1.875 +.002 +0.000	9.74
P187-01.500-312B	1-1/2	1-7/8	5/16	.344 +.015 +0.000	1.500 +.000 -0.002	1.501 +.002 +0.000	1.875 +.002 +0.000	1.500 +.000 -0.002	1.874 +.000 -0.002	1.875 +.002 +0.000	12.39
P187-01.500-375B	1-1/2	1-7/8	3/8	.413 +.015 +0.000	1.500 +.000 -0.002	1.501 +.002 +0.000	1.875 +.002 +0.000	1.500 +.000 -0.002	1.874 +.000 -0.002	1.875 +.002 +0.000	10.80
P187-01.500-375BP	1-1/2	1-7/8	3/8	.413 +.015 +0.000	1.500 +.000 -0.002	1.501 +.002 +0.000	1.875 +.002 +0.000	1.500 +.000 -0.002	1.874 +.000 -0.002	1.875 +.002 +0.000	33.96
P187-01.562	1-9/16	1-15/16	3/16	.207 +.015 +0.000	1.562 +.000 -0.002	1.563 +.002 +0.000	1.938 +.002 +0.000	1.562 +.000 -0.002	1.936 +.000 -0.002	1.938 +.002 +0.000	24.57
P187-01.625	1-5/8	2	3/16	.207 +.015 +0.000	1.625 +.000 -0.002	1.626 +.002 +0.000	2.000 +.002 +0.000	1.625 +.000 -0.002	1.999 +.000 -0.002	2.000 +.002 +0.000	10.16
P187-01.625-250D	1-5/8	2	1/4	.275 +.015 +0.000	1.625 +.000 -0.002	1.626 +.002 +0.000	2.000 +.002 +0.000	1.625 +.000 -0.002	1.999 +.000 -0.002	2.000 +.002 +0.000	23.02
P187-01.625-312B	1-5/8	2	5/16	.344 +.015 +0.000	1.625 +.000 -0.002	1.626 +.002 +0.000	2.000 +.002 +0.000	1.625 +.000 -0.002	1.999 +.000 -0.002	2.000 +.002 +0.000	12.04
P187-01.625-375B	1-5/8	2	3/8	.413 +.015 +0.000	1.625 +.000 -0.002	1.626 +.002 +0.000	2.000 +.002 +0.000	1.625 +.000 -0.002	1.999 +.000 -0.002	2.000 +.002 +0.000	11.50
P187-01.625-375D	1-5/8	2	3/8	.413 +.015 +0.000	1.625 +.000 -0.002	1.626 +.002 +0.000	2.000 +.002 +0.000	1.625 +.000 -0.002	1.999 +.000 -0.002	2.000 +.002 +0.000	18.80
P187-01.750	1-3/4	2-1/8	3/16	.207 +.015 +0.000	1.750 +.000 -0.002	1.751 +.002 +0.000	2.125 +.002 +0.000	1.750 +.000 -0.002	2.124 +.000 -0.002	2.125 +.002 +0.000	10.35

STYLE 850 POLYURETHANE U-SEALS



U-SEALS

Part Number	A Nom. ID	B Nom. OD	C Nom. Ht	D GROOVE WIDTH	E ROD DIAMETER	F THROAT DIAMETER	G HOUSING DIAMETER	H GROOVE DIAMETER	I PISTON DIAMETER	J BORE DIAMETER	List Price
P187-01.750-230B	1-3/4	2-1/8	7/32	.241 ^{+0.015} / _{+0.000}	1.750 ^{+0.000} / _{-0.002}	1.751 ^{+0.002} / _{+0.000}	2.125 ^{+0.002} / _{+0.000}	1.750 ^{+0.000} / _{-0.002}	2.124 ^{+0.000} / _{-0.002}	2.125 ^{+0.002} / _{+0.000}	12.19
P187-01.750-250D	1-3/4	2-1/8	1/4	.275 ^{+0.015} / _{+0.000}	1.750 ^{+0.000} / _{-0.002}	1.751 ^{+0.002} / _{+0.000}	2.125 ^{+0.002} / _{+0.000}	1.750 ^{+0.000} / _{-0.002}	2.124 ^{+0.000} / _{-0.002}	2.125 ^{+0.002} / _{+0.000}	23.93
P187-01.750-312B	1-3/4	2-1/8	5/16	.344 ^{+0.015} / _{+0.000}	1.750 ^{+0.000} / _{-0.002}	1.751 ^{+0.002} / _{+0.000}	2.125 ^{+0.002} / _{+0.000}	1.750 ^{+0.000} / _{-0.002}	2.124 ^{+0.000} / _{-0.002}	2.125 ^{+0.002} / _{+0.000}	12.19
P187-01.750-375B	1-3/4	2-1/8	3/8	.413 ^{+0.015} / _{+0.000}	1.750 ^{+0.000} / _{-0.002}	1.751 ^{+0.002} / _{+0.000}	2.125 ^{+0.002} / _{+0.000}	1.750 ^{+0.000} / _{-0.002}	2.124 ^{+0.000} / _{-0.002}	2.125 ^{+0.002} / _{+0.000}	12.19
P187-01.875	1-7/8	2-1/4	3/16	.207 ^{+0.015} / _{+0.000}	1.875 ^{+0.000} / _{-0.002}	1.876 ^{+0.002} / _{+0.000}	2.250 ^{+0.002} / _{+0.000}	1.875 ^{+0.000} / _{-0.002}	2.249 ^{+0.000} / _{-0.002}	2.250 ^{+0.002} / _{+0.000}	17.02
P187-01.875-375B	1-7/8	2-1/4	3/8	.413 ^{+0.015} / _{+0.000}	1.875 ^{+0.000} / _{-0.002}	1.876 ^{+0.002} / _{+0.000}	2.250 ^{+0.002} / _{+0.000}	1.875 ^{+0.000} / _{-0.002}	2.249 ^{+0.000} / _{-0.002}	2.250 ^{+0.002} / _{+0.000}	12.89
P187-01.875-375D	1-7/8	2-1/4	3/8	.413 ^{+0.015} / _{+0.000}	1.875 ^{+0.000} / _{-0.002}	1.876 ^{+0.002} / _{+0.000}	2.250 ^{+0.002} / _{+0.000}	1.875 ^{+0.000} / _{-0.002}	2.249 ^{+0.000} / _{-0.002}	2.250 ^{+0.002} / _{+0.000}	13.55
P187-02.000	2	2-3/8	3/16	.207 ^{+0.015} / _{+0.000}	2.000 ^{+0.000} / _{-0.002}	2.001 ^{+0.002} / _{+0.000}	2.375 ^{+0.002} / _{+0.000}	2.000 ^{+0.000} / _{-0.002}	2.374 ^{+0.000} / _{-0.002}	2.375 ^{+0.002} / _{+0.000}	13.58
P187-02.000-230B	2	2-3/8	7/32	.241 ^{+0.015} / _{+0.000}	2.000 ^{+0.000} / _{-0.002}	2.001 ^{+0.002} / _{+0.000}	2.375 ^{+0.002} / _{+0.000}	2.000 ^{+0.000} / _{-0.002}	2.374 ^{+0.000} / _{-0.002}	2.375 ^{+0.002} / _{+0.000}	13.58
P187-02.000-250B	2	2-3/8	1/4	.275 ^{+0.015} / _{+0.000}	2.000 ^{+0.000} / _{-0.002}	2.001 ^{+0.002} / _{+0.000}	2.375 ^{+0.002} / _{+0.000}	2.000 ^{+0.000} / _{-0.002}	2.374 ^{+0.000} / _{-0.002}	2.375 ^{+0.002} / _{+0.000}	12.45
P187-02.000-275B	2	2-3/8	.275	.310 ^{+0.015} / _{+0.000}	2.000 ^{+0.000} / _{-0.002}	2.001 ^{+0.002} / _{+0.000}	2.375 ^{+0.002} / _{+0.000}	2.000 ^{+0.000} / _{-0.002}	2.374 ^{+0.000} / _{-0.002}	2.375 ^{+0.002} / _{+0.000}	15.86
P187-02.000-312B	2	2-3/8	5/16	.344 ^{+0.015} / _{+0.000}	2.000 ^{+0.000} / _{-0.002}	2.001 ^{+0.002} / _{+0.000}	2.375 ^{+0.002} / _{+0.000}	2.000 ^{+0.000} / _{-0.002}	2.374 ^{+0.000} / _{-0.002}	2.375 ^{+0.002} / _{+0.000}	13.58
P187-02.000-375B	2	2-3/8	3/8	.413 ^{+0.015} / _{+0.000}	2.000 ^{+0.000} / _{-0.002}	2.001 ^{+0.002} / _{+0.000}	2.375 ^{+0.002} / _{+0.000}	2.000 ^{+0.000} / _{-0.002}	2.374 ^{+0.000} / _{-0.002}	2.375 ^{+0.002} / _{+0.000}	13.58
P187-02.125	2-1/8	2-1/2	3/16	.207 ^{+0.015} / _{+0.000}	2.125 ^{+0.000} / _{-0.002}	2.126 ^{+0.002} / _{+0.000}	2.500 ^{+0.002} / _{+0.000}	2.125 ^{+0.000} / _{-0.002}	2.499 ^{+0.000} / _{-0.002}	2.500 ^{+0.002} / _{+0.000}	11.11
P187-02.125-187B	2-1/8	2-1/2	3/16	.207 ^{+0.015} / _{+0.000}	2.125 ^{+0.000} / _{-0.002}	2.126 ^{+0.002} / _{+0.000}	2.500 ^{+0.002} / _{+0.000}	2.125 ^{+0.000} / _{-0.002}	2.499 ^{+0.000} / _{-0.002}	2.500 ^{+0.002} / _{+0.000}	11.11
P187-02.125-312D	2-1/8	2-1/2	5/16	.344 ^{+0.015} / _{+0.000}	2.125 ^{+0.000} / _{-0.002}	2.126 ^{+0.002} / _{+0.000}	2.500 ^{+0.002} / _{+0.000}	2.125 ^{+0.000} / _{-0.002}	2.499 ^{+0.000} / _{-0.002}	2.500 ^{+0.002} / _{+0.000}	21.44
P187-02.125-375B	2-1/8	2-1/2	3/8	.413 ^{+0.015} / _{+0.000}	2.125 ^{+0.000} / _{-0.002}	2.126 ^{+0.002} / _{+0.000}	2.500 ^{+0.002} / _{+0.000}	2.125 ^{+0.000} / _{-0.002}	2.499 ^{+0.000} / _{-0.002}	2.500 ^{+0.002} / _{+0.000}	14.03
P187-02.125-375D	2-1/8	2-1/2	3/8	.413 ^{+0.015} / _{+0.000}	2.125 ^{+0.000} / _{-0.002}	2.126 ^{+0.002} / _{+0.000}	2.500 ^{+0.002} / _{+0.000}	2.125 ^{+0.000} / _{-0.002}	2.499 ^{+0.000} / _{-0.002}	2.500 ^{+0.002} / _{+0.000}	13.74
P187-02.250	2-1/4	2-5/8	3/16	.207 ^{+0.015} / _{+0.000}	2.250 ^{+0.000} / _{-0.002}	2.251 ^{+0.002} / _{+0.000}	2.625 ^{+0.002} / _{+0.000}	2.250 ^{+0.000} / _{-0.002}	2.624 ^{+0.000} / _{-0.002}	2.625 ^{+0.002} / _{+0.000}	19.16
P187-02.250-375B	2-1/4	2-5/8	3/8	.413 ^{+0.015} / _{+0.000}	2.250 ^{+0.000} / _{-0.002}	2.251 ^{+0.002} / _{+0.000}	2.625 ^{+0.002} / _{+0.000}	2.250 ^{+0.000} / _{-0.002}	2.624 ^{+0.000} / _{-0.002}	2.625 ^{+0.002} / _{+0.000}	15.18
P187-02.250-375D	2-1/4	2-5/8	3/8	.413 ^{+0.015} / _{+0.000}	2.250 ^{+0.000} / _{-0.002}	2.251 ^{+0.002} / _{+0.000}	2.625 ^{+0.002} / _{+0.000}	2.250 ^{+0.000} / _{-0.002}	2.624 ^{+0.000} / _{-0.002}	2.625 ^{+0.002} / _{+0.000}	18.52
P187-02.375	2-3/8	2-3/4	3/16	.207 ^{+0.015} / _{+0.000}	2.375 ^{+0.000} / _{-0.002}	2.376 ^{+0.002} / _{+0.000}	2.750 ^{+0.002} / _{+0.000}	2.375 ^{+0.000} / _{-0.002}	2.749 ^{+0.000} / _{-0.002}	2.750 ^{+0.002} / _{+0.000}	12.99
P187-02.375-375B	2-3/8	2-3/4	3/8	.413 ^{+0.015} / _{+0.000}	2.375 ^{+0.000} / _{-0.002}	2.376 ^{+0.002} / _{+0.000}	2.750 ^{+0.002} / _{+0.000}	2.375 ^{+0.000} / _{-0.002}	2.749 ^{+0.000} / _{-0.002}	2.750 ^{+0.002} / _{+0.000}	39.44
P187-02.500	2-1/2	2-7/8	3/16	.207 ^{+0.015} / _{+0.000}	2.500 ^{+0.000} / _{-0.002}	2.501 ^{+0.002} / _{+0.000}	2.875 ^{+0.002} / _{+0.000}	2.500 ^{+0.000} / _{-0.002}	2.874 ^{+0.000} / _{-0.002}	2.875 ^{+0.002} / _{+0.000}	19.95
P187-02.500-250B	2-1/2	2-7/8	1/4	.275 ^{+0.015} / _{+0.000}	2.500 ^{+0.000} / _{-0.002}	2.501 ^{+0.002} / _{+0.000}	2.875 ^{+0.002} / _{+0.000}	2.500 ^{+0.000} / _{-0.002}	2.874 ^{+0.000} / _{-0.002}	2.875 ^{+0.002} / _{+0.000}	21.98
P187-02.500-375B	2-1/2	2-7/8	3/8	.413 ^{+0.015} / _{+0.000}	2.500 ^{+0.000} / _{-0.002}	2.501 ^{+0.002} / _{+0.000}	2.875 ^{+0.002} / _{+0.000}	2.500 ^{+0.000} / _{-0.002}	2.874 ^{+0.000} / _{-0.002}	2.875 ^{+0.002} / _{+0.000}	16.36
P187-02.500-375BPM	2-1/2	2-7/8	3/8	.413 ^{+0.015} / _{+0.000}	2.500 ^{+0.000} / _{-0.002}	2.501 ^{+0.002} / _{+0.000}	2.875 ^{+0.002} / _{+0.000}	2.500 ^{+0.000} / _{-0.002}	2.874 ^{+0.000} / _{-0.002}	2.875 ^{+0.002} / _{+0.000}	29.18
P187-02.500-375D	2-1/2	2-7/8	3/8	.413 ^{+0.015} / _{+0.000}	2.500 ^{+0.000} / _{-0.002}	2.501 ^{+0.002} / _{+0.000}	2.875 ^{+0.002} / _{+0.000}	2.500 ^{+0.000} / _{-0.002}	2.874 ^{+0.000} / _{-0.002}	2.875 ^{+0.002} / _{+0.000}	16.36
P187-02.625	2-5/8	3	3/16	.207 ^{+0.015} / _{+0.000}	2.625 ^{+0.000} / _{-0.002}	2.626 ^{+0.002} / _{+0.000}	3.000 ^{+0.002} / _{+0.000}	2.625 ^{+0.000} / _{-0.002}	2.999 ^{+0.000} / _{-0.002}	3.000 ^{+0.002} / _{+0.000}	12.24
P187-02.625-375B	2-5/8	3	3/8	.413 ^{+0.015} / _{+0.000}	2.625 ^{+0.000} / _{-0.002}	2.626 ^{+0.002} / _{+0.000}	3.000 ^{+0.002} / _{+0.000}	2.625 ^{+0.000} / _{-0.002}	2.999 ^{+0.000} / _{-0.002}	3.000 ^{+0.002} / _{+0.000}	17.00
P187-02.625-375D	2-5/8	3	3/8	.413 ^{+0.015} / _{+0.000}	2.625 ^{+0.000} / _{-0.002}	2.626 ^{+0.002} / _{+0.000}	3.000 ^{+0.002} / _{+0.000}	2.625 ^{+0.000} / _{-0.002}	2.999 ^{+0.000} / _{-0.002}	3.000 ^{+0.002} / _{+0.000}	17.00
P187-02.750	2-3/4	3-1/8	3/16	.207 ^{+0.015} / _{+0.000}	2.750 ^{+0.000} / _{-0.002}	2.751 ^{+0.002} / _{+0.000}	3.125 ^{+0.002} / _{+0.000}	2.750 ^{+0.000} / _{-0.002}	3.124 ^{+0.000} / _{-0.002}	3.125 ^{+0.002} / _{+0.000}	22.11
P187-02.750-187B	2-3/4	3-1/8	3/16	.207 ^{+0.015} / _{+0.000}	2.750 ^{+0.000} / _{-0.002}	2.751 ^{+0.002} / _{+0.000}	3.125 ^{+0.002} / _{+0.000}	2.750 ^{+0.000} / _{-0.002}	3.124 ^{+0.000} / _{-0.002}	3.125 ^{+0.002} / _{+0.000}	13.25

FORMERLY LISTED REPAIR PARTS ARE AVAILABLE ONLINE AT WWW.HERCULESUS.COM OR BY CONTACTING YOUR REGIONAL HERCULES SALES TEAM.

STYLE 850 POLYURETHANE U-SEALS

U-SEALS

Part Number	A Nom. ID	B Nom. OD	C Nom. Ht	D GROOVE WIDTH	E ROD DIAMETER	F THROAT DIAMETER	G HOUSING DIAMETER	H GROOVE DIAMETER	I PISTON DIAMETER	J BORE DIAMETER	List Price
P187-02.750-375B	2-3/4	3-1/8	3/8	.413 +.015 +0.000	2.750 +.000 -0.002	2.751 +.002 +0.000	3.125 +.002 +0.000	2.750 +.000 -0.002	3.124 +.000 -0.002	3.125 +.002 +0.000	17.76
P187-02.750-375D	2-3/4	3-1/8	3/8	.413 +.015 +0.000	2.750 +.000 -0.002	2.751 +.002 +0.000	3.125 +.002 +0.000	2.750 +.000 -0.002	3.124 +.000 -0.002	3.125 +.002 +0.000	17.76
P187-02.875	2-7/8	3-1/4	3/16	.207 +.015 +0.000	2.875 +.000 -0.002	2.876 +.002 +0.000	3.250 +.002 +0.000	2.875 +.000 -0.002	3.249 +.000 -0.002	3.250 +.002 +0.000	13.16
P187-03.000	3	3-3/8	3/16	.207 +.015 +0.000	3.000 +.000 -0.002	3.001 +.002 +0.000	3.375 +.002 +0.000	3.000 +.000 -0.002	3.374 +.000 -0.002	3.375 +.002 +0.000	13.55
P187-03.000-375B	3	3-3/8	3/8	.413 +.015 +0.000	3.000 +.000 -0.002	3.001 +.002 +0.000	3.375 +.002 +0.000	3.000 +.000 -0.002	3.374 +.000 -0.002	3.375 +.002 +0.000	19.77
P187-03.125	3-1/8	3-1/2	3/16	.207 +.015 +0.000	3.125 +.000 -0.002	3.126 +.002 +0.000	3.500 +.002 +0.000	3.125 +.000 -0.002	3.499 +.000 -0.002	3.500 +.002 +0.000	14.86
P187-03.125-187B	3-1/8	3-1/2	3/16	.207 +.015 +0.000	3.125 +.000 -0.002	3.126 +.002 +0.000	3.500 +.002 +0.000	3.125 +.000 -0.002	3.499 +.000 -0.002	3.500 +.002 +0.000	21.14
P187-03.125-375B	3-1/8	3-1/2	3/8	.413 +.015 +0.000	3.125 +.000 -0.002	3.126 +.002 +0.000	3.500 +.002 +0.000	3.125 +.000 -0.002	3.499 +.000 -0.002	3.500 +.002 +0.000	20.11
P187-03.250	3-1/4	3-5/8	3/16	.207 +.015 +0.000	3.250 +.000 -0.002	3.251 +.002 +0.000	3.625 +.002 +0.000	3.250 +.000 -0.002	3.624 +.000 -0.002	3.625 +.002 +0.000	15.95
P187-03.375	3-3/8	3-3/4	3/16	.207 +.015 +0.000	3.375 +.000 -0.002	3.376 +.002 +0.000	3.750 +.002 +0.000	3.375 +.000 -0.002	3.749 +.000 -0.002	3.750 +.002 +0.000	16.89
P187-03.375-187B	3-3/8	3-3/4	3/16	.207 +.015 +0.000	3.375 +.000 -0.002	3.376 +.002 +0.000	3.750 +.002 +0.000	3.375 +.000 -0.002	3.749 +.000 -0.002	3.750 +.002 +0.000	32.93
P187-03.375-375B	3-3/8	3-3/4	3/8	.413 +.015 +0.000	3.375 +.000 -0.002	3.376 +.002 +0.000	3.750 +.002 +0.000	3.375 +.000 -0.002	3.749 +.000 -0.002	3.750 +.002 +0.000	39.56
P187-03.500	3-1/2	3-7/8	3/16	.207 +.015 +0.000	3.500 +.000 -0.002	3.501 +.002 +0.000	3.875 +.002 +0.000	3.500 +.000 -0.002	3.874 +.000 -0.002	3.875 +.002 +0.000	17.64
P187-03.500-375B	3-1/2	3-7/8	3/8	.413 +.015 +0.000	3.500 +.000 -0.002	3.501 +.002 +0.000	3.875 +.002 +0.000	3.500 +.000 -0.002	3.874 +.000 -0.002	3.875 +.002 +0.000	23.56
P187-03.500-375D	3-1/2	3-7/8	3/8	.413 +.015 +0.000	3.500 +.000 -0.002	3.501 +.002 +0.000	3.875 +.002 +0.000	3.500 +.000 -0.002	3.874 +.000 -0.002	3.875 +.002 +0.000	23.56
P187-03.625	3-5/8	4	3/16	.207 +.015 +0.000	3.625 +.000 -0.002	3.626 +.002 +0.000	4.000 +.002 +0.000	3.625 +.000 -0.002	3.999 +.000 -0.002	4.000 +.002 +0.000	17.76
P187-03.625-375B	3-5/8	4	3/8	.413 +.015 +0.000	3.625 +.000 -0.002	3.626 +.002 +0.000	4.000 +.002 +0.000	3.625 +.000 -0.002	3.999 +.000 -0.002	4.000 +.002 +0.000	26.02
P187-03.625-375D	3-5/8	4	3/8	.413 +.015 +0.000	3.625 +.000 -0.002	3.626 +.002 +0.000	4.000 +.002 +0.000	3.625 +.000 -0.002	3.999 +.000 -0.002	4.000 +.002 +0.000	26.02
P187-03.750	3-3/4	4-1/8	3/16	.207 +.015 +0.000	3.750 +.000 -0.002	3.751 +.002 +0.000	4.125 +.002 +0.000	3.750 +.000 -0.002	4.124 +.000 -0.002	4.125 +.002 +0.000	19.43
P187-03.750-375B	3-3/4	4-1/8	3/8	.413 +.015 +0.000	3.750 +.000 -0.002	3.751 +.002 +0.000	4.125 +.002 +0.000	3.750 +.000 -0.002	4.124 +.000 -0.002	4.125 +.002 +0.000	27.54
P187-04.000-375B	4	4-3/8	3/8	.413 +.015 +0.000	4.000 +.000 -0.002	4.001 +.002 +0.000	4.375 +.002 +0.000	4.000 +.000 -0.002	4.374 +.000 -0.002	4.375 +.002 +0.000	28.95
P187-04.125	4-1/8	4-1/2	3/16	.207 +.015 +0.000	4.125 +.000 -0.002	4.126 +.002 +0.000	4.500 +.002 +0.000	4.125 +.000 -0.002	4.499 +.000 -0.002	4.500 +.002 +0.000	22.42
P187-04.250-375D	4-1/4	4-5/8	3/8	.413 +.015 +0.000	4.250 +.000 -0.002	4.251 +.002 +0.000	4.625 +.002 +0.000	4.250 +.000 -0.002	4.624 +.000 -0.002	4.625 +.002 +0.000	31.42
P187-04.375-375D	4-3/8	4-3/4	3/8	.413 +.015 +0.000	4.375 +.000 -0.002	4.376 +.002 +0.000	4.750 +.002 +0.000	4.375 +.000 -0.002	4.749 +.000 -0.002	4.750 +.002 +0.000	35.50
P187-04.500	4-1/2	4-7/8	3/16	.207 +.015 +0.000	4.500 +.000 -0.002	4.501 +.002 +0.000	4.875 +.002 +0.000	4.500 +.000 -0.002	4.874 +.000 -0.002	4.875 +.002 +0.000	23.75
P187-04.750	4-3/4	5-1/8	3/16	.207 +.015 +0.000	4.750 +.000 -0.002	4.751 +.002 +0.000	5.125 +.002 +0.000	4.750 +.000 -0.002	5.124 +.000 -0.002	5.125 +.002 +0.000	27.43
P187-05.500-375B	5-1/2	5-7/8	3/8	.413 +.015 +0.000	5.500 +.000 -0.002	5.501 +.002 +0.000	5.875 +.002 +0.000	5.500 +.000 -0.002	5.874 +.000 -0.002	5.875 +.002 +0.000	43.16
P187-05.875	5-7/8	6-1/4	3/16	.207 +.015 +0.000	5.875 +.000 -0.002	5.876 +.002 +0.000	6.250 +.002 +0.000	5.875 +.000 -0.002	6.249 +.000 -0.002	6.250 +.002 +0.000	36.36
7/32" C/S											
P218-02.500	2-1/2	2-15/16	7/32	.241 +.015 +0.000	2.500 +.000 -0.002	2.501 +.002 +0.000	2.938 +.002 +0.000	2.500 +.000 -0.002	2.936 +.000 -0.002	2.938 +.002 +0.000	\$22.62
P218-02.562	2-9/16	3	7/32	.241 +.015 +0.000	2.562 +.000 -0.002	2.563 +.002 +0.000	3.000 +.002 +0.000	2.562 +.000 -0.002	2.999 +.000 -0.002	3.000 +.002 +0.000	24.23
1/4" C/S											
P250-00.500	1/2	1	1/4	.275 +.015 +0.000	.500 +.000 -0.002	.501 +.003 +0.000	1.000 +.003 +0.000	.500 +.000 -0.003	.999 +.000 -0.002	1.000 +.003 +0.000	\$9.30

STYLE 850 POLYURETHANE U-SEALS



U-SEALS

Part Number	A Nom. ID	B Nom. OD	C Nom. Ht	D GROOVE WIDTH	E ROD DIAMETER	F THROAT DIAMETER	G HOUSING DIAMETER	H GROOVE DIAMETER	I PISTON DIAMETER	J BORE DIAMETER	List Price
P250-00.500-375B	1/2	1	3/8	.413 +.015 +0.000	.500 +.000 -.002	.501 +.003 +0.000	1.000 +.003 +0.000	.500 +.000 -.003	.999 +.000 -.002	1.000 +.003 +0.000	9.64
P250-00.500-375D	1/2	1	3/8	.413 +.015 +0.000	.500 +.000 -.002	.501 +.003 +0.000	1.000 +.003 +0.000	.500 +.000 -.003	.999 +.000 -.002	1.000 +.003 +0.000	11.87
P250-00.625	5/8	1-1/8	1/4	.275 +.015 +0.000	.625 +.000 -.002	.626 +.003 +0.000	1.125 +.003 +0.000	.625 +.000 -.003	1.124 +.000 -.002	1.125 +.003 +0.000	9.30
P250-00.625-375B	5/8	1-1/8	3/8	.413 +.015 +0.000	.625 +.000 -.002	.626 +.003 +0.000	1.125 +.003 +0.000	.625 +.000 -.003	1.124 +.000 -.002	1.125 +.003 +0.000	12.99
P250-00.687	11/16	1-3/16	1/4	.275 +.015 +0.000	.687 +.000 -.002	.688 +.003 +0.000	1.188 +.003 +0.000	.687 +.000 -.003	1.186 +.000 -.002	1.188 +.003 +0.000	12.58
P250-00.750	3/4	1-1/4	1/4	.275 +.015 +0.000	.750 +.000 -.002	.751 +.003 +0.000	1.250 +.003 +0.000	.750 +.000 -.003	1.249 +.000 -.002	1.250 +.003 +0.000	8.79
P250-00.750-375B	3/4	1-1/4	3/8	.413 +.015 +0.000	.750 +.000 -.002	.751 +.003 +0.000	1.250 +.003 +0.000	.750 +.000 -.003	1.249 +.000 -.002	1.250 +.003 +0.000	10.04
P250-00.875-375B	7/8	1-3/8	3/8	.413 +.015 +0.000	.875 +.000 -.002	.876 +.003 +0.000	1.375 +.003 +0.000	.875 +.000 -.003	1.374 +.000 -.002	1.375 +.003 +0.000	10.44
P250-00.937	15/16	1-7/16	1/4	.275 +.015 +0.000	.937 +.000 -.002	.938 +.003 +0.000	1.438 +.003 +0.000	.937 +.000 -.003	1.436 +.000 -.002	1.438 +.003 +0.000	12.89
P250-01.000	1	1-1/2	1/4	.275 +.015 +0.000	1.000 +.000 -.002	1.001 +.003 +0.000	1.500 +.003 +0.000	1.000 +.000 -.003	1.499 +.000 -.002	1.500 +.003 +0.000	9.10
P250-01.000-375B	1	1-1/2	3/8	.413 +.015 +0.000	1.000 +.000 -.002	1.001 +.003 +0.000	1.500 +.003 +0.000	1.000 +.000 -.003	1.499 +.000 -.002	1.500 +.003 +0.000	10.11
P250-01.125	1-1/8	1-5/8	1/4	.275 +.015 +0.000	1.125 +.000 -.002	1.126 +.003 +0.000	1.625 +.003 +0.000	1.125 +.000 -.003	1.624 +.000 -.002	1.625 +.003 +0.000	9.83
P250-01.125-375B	1-1/8	1-5/8	3/8	.413 +.015 +0.000	1.125 +.000 -.002	1.126 +.003 +0.000	1.625 +.003 +0.000	1.125 +.000 -.003	1.624 +.000 -.002	1.625 +.003 +0.000	10.90
P250-01.187	1-3/16	1-11/16	1/4	.275 +.015 +0.000	1.187 +.000 -.002	1.188 +.003 +0.000	1.688 +.003 +0.000	1.187 +.000 -.003	1.686 +.000 -.002	1.688 +.003 +0.000	9.98
P250-01.250	1-1/4	1-3/4	1/4	.275 +.015 +0.000	1.250 +.000 -.002	1.251 +.003 +0.000	1.750 +.003 +0.000	1.250 +.000 -.003	1.749 +.000 -.002	1.750 +.003 +0.000	9.64
P250-01.250-375B	1-1/4	1-3/4	3/8	.413 +.015 +0.000	1.250 +.000 -.002	1.251 +.003 +0.000	1.750 +.003 +0.000	1.250 +.000 -.003	1.749 +.000 -.002	1.750 +.003 +0.000	10.95
P250-01.375	1-3/8	1-7/8	1/4	.275 +.015 +0.000	1.375 +.000 -.002	1.376 +.002 +0.000	1.875 +.003 +0.000	1.375 +.000 -.003	1.874 +.000 -.002	1.875 +.003 +0.000	10.90
P250-01.375-375B	1-3/8	1-7/8	3/8	.413 +.015 +0.000	1.375 +.000 -.002	1.376 +.002 +0.000	1.875 +.003 +0.000	1.375 +.000 -.003	1.874 +.000 -.002	1.875 +.003 +0.000	11.31
P250-01.500	1-1/2	2	1/4	.275 +.015 +0.000	1.500 +.000 -.002	1.501 +.002 +0.000	2.000 +.003 +0.000	1.500 +.000 -.003	1.999 +.000 -.002	2.000 +.003 +0.000	11.00
P250-01.500-250B	1-1/2	2	1/4	.275 +.015 +0.000	1.500 +.000 -.002	1.501 +.002 +0.000	2.000 +.003 +0.000	1.500 +.000 -.003	1.999 +.000 -.002	2.000 +.003 +0.000	11.17
P250-01.500-375B	1-1/2	2	3/8	.413 +.015 +0.000	1.500 +.000 -.002	1.501 +.002 +0.000	2.000 +.003 +0.000	1.500 +.000 -.003	1.999 +.000 -.002	2.000 +.003 +0.000	12.45
P250-01.500-375D	1-1/2	2	3/8	.413 +.015 +0.000	1.500 +.000 -.002	1.501 +.002 +0.000	2.000 +.003 +0.000	1.500 +.000 -.003	1.999 +.000 -.002	2.000 +.003 +0.000	12.45
P250-01.625	1-5/8	2-1/8	1/4	.275 +.015 +0.000	1.625 +.000 -.002	1.626 +.002 +0.000	2.125 +.003 +0.000	1.625 +.000 -.003	2.124 +.000 -.002	2.125 +.003 +0.000	12.22
P250-01.625-375B	1-5/8	2-1/8	3/8	.413 +.015 +0.000	1.625 +.000 -.002	1.626 +.002 +0.000	2.125 +.003 +0.000	1.625 +.000 -.003	2.124 +.000 -.002	2.125 +.003 +0.000	13.55
P250-01.750	1-3/4	2-1/4	1/4	.275 +.015 +0.000	1.750 +.000 -.002	1.751 +.002 +0.000	2.250 +.003 +0.000	1.750 +.000 -.003	2.249 +.000 -.002	2.250 +.003 +0.000	12.78
P250-01.750-375B	1-3/4	2-1/4	3/8	.413 +.015 +0.000	1.750 +.000 -.002	1.751 +.002 +0.000	2.250 +.003 +0.000	1.750 +.000 -.003	2.249 +.000 -.002	2.250 +.003 +0.000	13.59
P250-01.875	1-7/8	2-3/8	1/4	.275 +.015 +0.000	1.875 +.000 -.002	1.876 +.002 +0.000	2.375 +.003 +0.000	1.875 +.000 -.003	2.374 +.000 -.002	2.375 +.003 +0.000	13.55
P250-01.875-375B	1-7/8	2-3/8	3/8	.413 +.015 +0.000	1.875 +.000 -.002	1.876 +.002 +0.000	2.375 +.003 +0.000	1.875 +.000 -.003	2.374 +.000 -.002	2.375 +.003 +0.000	14.93
P250-02.000	2	2-1/2	1/4	.275 +.015 +0.000	2.000 +.000 -.002	2.001 +.002 +0.000	2.500 +.003 +0.000	2.000 +.000 -.003	2.499 +.000 -.002	2.500 +.003 +0.000	13.59
P250-02.000-250B	2	2-1/2	1/4	.275 +.015 +0.000	2.000 +.000 -.002	2.001 +.002 +0.000	2.500 +.003 +0.000	2.000 +.000 -.003	2.499 +.000 -.002	2.500 +.003 +0.000	13.59
P250-02.000-375B	2	2-1/2	3/8	.413 +.015 +0.000	2.000 +.000 -.002	2.001 +.002 +0.000	2.500 +.003 +0.000	2.000 +.000 -.003	2.499 +.000 -.002	2.500 +.003 +0.000	14.89
P250-02.000-375D	2	2-1/2	3/8	.413 +.015 +0.000	2.000 +.000 -.002	2.001 +.002 +0.000	2.500 +.003 +0.000	2.000 +.000 -.003	2.499 +.000 -.002	2.500 +.003 +0.000	14.89
P250-02.125-375B	2-1/8	2-5/8	3/8	.413 +.015 +0.000	2.125 +.000 -.002	2.126 +.002 +0.000	2.625 +.003 +0.000	2.125 +.000 -.003	2.624 +.000 -.002	2.625 +.003 +0.000	16.55

FORMERLY LISTED REPAIR PARTS ARE AVAILABLE ONLINE AT WWW.HERCULESUS.COM
OR BY CONTACTING YOUR REGIONAL HERCULES SALES TEAM.

STYLE 850 POLYURETHANE U-SEALS

U-SEALS

Part Number	A Nom. ID	B Nom. OD	C Nom. Ht	D GROOVE WIDTH	E ROD DIAMETER	F THROAT DIAMETER	G HOUSING DIAMETER	H GROOVE DIAMETER	I PISTON DIAMETER	J BORE DIAMETER	List Price
P250-02.250	2-1/4	2-3/4	1/4	.275 +.015 +0.000	2.250 +.000 -.002	2.251 +.003 +0.000	2.750 +.003 +0.000	2.250 +.000 -.003	2.749 +.000 -.002	2.750 +.003 +0.000	15.62
P250-02.250-375B	2-1/4	2-3/4	3/8	.413 +.015 +0.000	2.250 +.000 -.002	2.251 +.003 +0.000	2.750 +.003 +0.000	2.250 +.000 -.003	2.749 +.000 -.002	2.750 +.003 +0.000	16.70
P250-02.250-375D	2-1/4	2-3/4	3/8	.413 +.015 +0.000	2.250 +.000 -.002	2.251 +.003 +0.000	2.750 +.003 +0.000	2.250 +.000 -.003	2.749 +.000 -.002	2.750 +.003 +0.000	19.21
P250-02.375	2-3/8	2-7/8	1/4	.275 +.015 +0.000	2.375 +.000 -.002	2.376 +.003 +0.000	2.875 +.003 +0.000	2.375 +.000 -.003	2.874 +.000 -.002	2.875 +.003 +0.000	16.52
P250-02.375-375B	2-3/8	2-7/8	3/8	.413 +.015 +0.000	2.375 +.000 -.002	2.376 +.003 +0.000	2.875 +.003 +0.000	2.375 +.000 -.003	2.874 +.000 -.002	2.875 +.003 +0.000	18.37
P250-02.500	2-1/2	3	1/4	.275 +.015 +0.000	2.500 +.000 -.002	2.501 +.003 +0.000	3.000 +.003 +0.000	2.500 +.000 -.003	2.999 +.000 -.002	3.000 +.003 +0.000	16.42
P250-02.500-375B	2-1/2	3	3/8	.413 +.015 +0.000	2.500 +.000 -.002	2.501 +.003 +0.000	3.000 +.003 +0.000	2.500 +.000 -.003	2.999 +.000 -.002	3.000 +.003 +0.000	18.39
P250-02.500-375D	2-1/2	3	3/8	.413 +.015 +0.000	2.500 +.000 -.002	2.501 +.003 +0.000	3.000 +.003 +0.000	2.500 +.000 -.003	2.999 +.000 -.002	3.000 +.003 +0.000	18.39
P250-02.625-375B	2-5/8	3-1/8	3/8	.413 +.015 +0.000	2.625 +.000 -.002	2.626 +.003 +0.000	3.125 +.003 +0.000	2.625 +.000 -.003	3.124 +.000 -.002	3.125 +.003 +0.000	19.16
P250-02.750	2-3/4	3-1/4	1/4	.275 +.015 +0.000	2.750 +.000 -.002	2.751 +.003 +0.000	3.250 +.003 +0.000	2.750 +.000 -.003	3.249 +.000 -.002	3.250 +.003 +0.000	17.86
P250-02.750-375B	2-3/4	3-1/4	3/8	.413 +.015 +0.000	2.750 +.000 -.002	2.751 +.003 +0.000	3.250 +.003 +0.000	2.750 +.000 -.003	3.249 +.000 -.002	3.250 +.003 +0.000	20.07
P250-02.750-375BPM	2-3/4	3-1/4	3/8	.413 +.015 +0.000	2.750 +.000 -.002	2.751 +.003 +0.000	3.250 +.003 +0.000	2.750 +.000 -.003	3.249 +.000 -.002	3.250 +.003 +0.000	44.22
P250-02.750-375D	2-3/4	3-1/4	3/8	.413 +.015 +0.000	2.750 +.000 -.002	2.751 +.003 +0.000	3.250 +.003 +0.000	2.750 +.000 -.003	3.249 +.000 -.002	3.250 +.003 +0.000	20.07
P250-02.875-375B	2-7/8	3-3/8	3/8	.413 +.015 +0.000	2.875 +.000 -.002	2.876 +.003 +0.000	3.375 +.003 +0.000	2.875 +.000 -.003	3.374 +.000 -.002	3.375 +.003 +0.000	22.87
P250-03.000	3	3-1/2	1/4	.275 +.015 +0.000	3.000 +.000 -.002	3.001 +.003 +0.000	3.500 +.003 +0.000	3.000 +.000 -.003	3.499 +.000 -.002	3.500 +.003 +0.000	19.16
P250-03.000-375B	3	3-1/2	3/8	.413 +.015 +0.000	3.000 +.000 -.002	3.001 +.003 +0.000	3.500 +.003 +0.000	3.000 +.000 -.003	3.499 +.000 -.002	3.500 +.003 +0.000	21.67
P250-03.000-375D	3	3-1/2	3/8	.413 +.015 +0.000	3.000 +.000 -.002	3.001 +.003 +0.000	3.500 +.003 +0.000	3.000 +.000 -.003	3.499 +.000 -.002	3.500 +.003 +0.000	21.67
P250-03.125	3-1/8	3-5/8	1/4	.275 +.015 +0.000	3.125 +.000 -.002	3.126 +.003 +0.000	3.625 +.003 +0.000	3.125 +.000 -.003	3.624 +.000 -.002	3.625 +.003 +0.000	21.77
P250-03.250	3-1/4	3-3/4	1/4	.275 +.015 +0.000	3.250 +.000 -.002	3.251 +.003 +0.000	3.750 +.003 +0.000	3.250 +.000 -.003	3.749 +.000 -.002	3.750 +.003 +0.000	21.54
P250-03.250-375B	3-1/4	3-3/4	3/8	.413 +.015 +0.000	3.250 +.000 -.002	3.251 +.003 +0.000	3.750 +.003 +0.000	3.250 +.000 -.003	3.749 +.000 -.002	3.750 +.003 +0.000	23.35
P250-03.250-375D	3-1/4	3-3/4	3/8	.413 +.015 +0.000	3.250 +.000 -.002	3.251 +.003 +0.000	3.750 +.003 +0.000	3.250 +.000 -.003	3.749 +.000 -.002	3.750 +.003 +0.000	23.35
P250-03.500	3-1/2	4	1/4	.275 +.015 +0.000	3.500 +.000 -.002	3.501 +.003 +0.000	4.000 +.003 +0.000	3.500 +.000 -.003	3.999 +.000 -.002	4.000 +.003 +0.000	21.98
P250-03.500-312BHN	3-1/2	4	5/16	.344 +.015 +0.000	3.500 +.000 -.002	3.501 +.003 +0.000	4.000 +.003 +0.000	3.500 +.000 -.003	3.999 +.000 -.002	4.000 +.003 +0.000	117.38
P250-03.500-375B	3-1/2	4	3/8	.413 +.015 +0.000	3.500 +.000 -.002	3.501 +.003 +0.000	4.000 +.003 +0.000	3.500 +.000 -.003	3.999 +.000 -.002	4.000 +.003 +0.000	25.03
P250-03.500-375BPM	3-1/2	4	3/8	.413 +.015 +0.000	3.500 +.000 -.002	3.501 +.003 +0.000	4.000 +.003 +0.000	3.500 +.000 -.003	3.999 +.000 -.002	4.000 +.003 +0.000	42.03
P250-03.500-375D	3-1/2	4	3/8	.413 +.015 +0.000	3.500 +.000 -.002	3.501 +.003 +0.000	4.000 +.003 +0.000	3.500 +.000 -.003	3.999 +.000 -.002	4.000 +.003 +0.000	28.88
P250-03.625-375B	3-5/8	4-1/8	3/8	.413 +.015 +0.000	3.625 +.000 -.002	3.626 +.003 +0.000	4.125 +.003 +0.000	3.625 +.000 -.003	4.124 +.000 -.002	4.125 +.003 +0.000	30.81
P250-03.750	3-3/4	4-1/4	1/4	.275 +.015 +0.000	3.750 +.000 -.002	3.751 +.003 +0.000	4.250 +.003 +0.000	3.750 +.000 -.003	4.249 +.000 -.002	4.250 +.003 +0.000	25.50
P250-03.750-375B	3-3/4	4-1/4	3/8	.413 +.015 +0.000	3.750 +.000 -.002	3.751 +.003 +0.000	4.250 +.003 +0.000	3.750 +.000 -.003	4.249 +.000 -.002	4.250 +.003 +0.000	26.47
P250-03.750-375D	3-3/4	4-1/4	3/8	.413 +.015 +0.000	3.750 +.000 -.002	3.751 +.003 +0.000	4.250 +.003 +0.000	3.750 +.000 -.003	4.249 +.000 -.002	4.250 +.003 +0.000	32.66
P250-04.000	4	4-1/2	1/4	.275 +.015 +0.000	4.000 +.000 -.002	4.001 +.003 +0.000	4.500 +.003 +0.000	4.000 +.000 -.003	4.499 +.000 -.002	4.500 +.003 +0.000	24.67
P250-04.000-312BHN	4	4-1/2	5/16	.344 +.015 +0.000	4.000 +.000 -.002	4.001 +.003 +0.000	4.500 +.003 +0.000	4.000 +.000 -.003	4.499 +.000 -.002	4.500 +.003 +0.000	132.09
P250-04.000-375B	4	4-1/2	3/8	.413 +.015 +0.000	4.000 +.000 -.002	4.001 +.003 +0.000	4.500 +.003 +0.000	4.000 +.000 -.003	4.499 +.000 -.002	4.500 +.003 +0.000	28.77

STYLE 850 POLYURETHANE U-SEALS



U-SEALS

Part Number	A Nom. ID	B Nom. OD	C Nom. Ht	D GROOVE WIDTH	E ROD DIAMETER	F THROAT DIAMETER	G HOUSING DIAMETER	H GROOVE DIAMETER	I PISTON DIAMETER	J BORE DIAMETER	List Price
P250-04.000-375D	4	4-1/2	3/8	.413 ^{+0.015} / _{+0.000}	4.000 ^{+0.000} / _{-0.002}	4.001 ^{+0.003} / _{+0.000}	4.500 ^{+0.003} / _{+0.000}	4.000 ^{+0.000} / _{-0.003}	4.499 ^{+0.000} / _{-0.002}	4.500 ^{+0.003} / _{+0.000}	28.77
P250-04.000-562B	4	4-1/2	9/16	.619 ^{+0.015} / _{+0.000}	4.000 ^{+0.000} / _{-0.002}	4.001 ^{+0.003} / _{+0.000}	4.500 ^{+0.003} / _{+0.000}	4.000 ^{+0.000} / _{-0.003}	4.499 ^{+0.000} / _{-0.002}	4.500 ^{+0.003} / _{+0.000}	28.77
P250-04.000-562D	4	4-1/2	9/16	.619 ^{+0.015} / _{+0.000}	4.000 ^{+0.000} / _{-0.002}	4.001 ^{+0.003} / _{+0.000}	4.500 ^{+0.003} / _{+0.000}	4.000 ^{+0.000} / _{-0.003}	4.499 ^{+0.000} / _{-0.002}	4.500 ^{+0.003} / _{+0.000}	28.21
P250-04.250	4-1/4	4-3/4	1/4	.275 ^{+0.015} / _{+0.000}	4.250 ^{+0.000} / _{-0.002}	4.251 ^{+0.003} / _{+0.000}	4.750 ^{+0.003} / _{+0.000}	4.250 ^{+0.000} / _{-0.003}	4.749 ^{+0.000} / _{-0.002}	4.750 ^{+0.003} / _{+0.000}	26.10
P250-04.250-375B	4-1/4	4-3/4	3/8	.413 ^{+0.015} / _{+0.000}	4.250 ^{+0.000} / _{-0.002}	4.251 ^{+0.003} / _{+0.000}	4.750 ^{+0.003} / _{+0.000}	4.250 ^{+0.000} / _{-0.003}	4.749 ^{+0.000} / _{-0.002}	4.750 ^{+0.003} / _{+0.000}	32.82
P250-04.250-375BPM	4-1/4	4-3/4	3/8	.413 ^{+0.015} / _{+0.000}	4.250 ^{+0.000} / _{-0.002}	4.251 ^{+0.003} / _{+0.000}	4.750 ^{+0.003} / _{+0.000}	4.250 ^{+0.000} / _{-0.003}	4.749 ^{+0.000} / _{-0.002}	4.750 ^{+0.003} / _{+0.000}	68.35
P250-04.250-562B	4-1/4	4-3/4	9/16	.619 ^{+0.015} / _{+0.000}	4.250 ^{+0.000} / _{-0.002}	4.251 ^{+0.003} / _{+0.000}	4.750 ^{+0.003} / _{+0.000}	4.250 ^{+0.000} / _{-0.003}	4.749 ^{+0.000} / _{-0.002}	4.750 ^{+0.003} / _{+0.000}	34.49
P250-04.250-562D	4-1/4	4-3/4	9/16	.619 ^{+0.015} / _{+0.000}	4.250 ^{+0.000} / _{-0.002}	4.251 ^{+0.003} / _{+0.000}	4.750 ^{+0.003} / _{+0.000}	4.250 ^{+0.000} / _{-0.003}	4.749 ^{+0.000} / _{-0.002}	4.750 ^{+0.003} / _{+0.000}	34.49
P250-04.375	4-3/8	4-7/8	1/4	.275 ^{+0.015} / _{+0.000}	4.375 ^{+0.000} / _{-0.002}	4.376 ^{+0.003} / _{+0.000}	4.875 ^{+0.003} / _{+0.000}	4.375 ^{+0.000} / _{-0.003}	4.874 ^{+0.000} / _{-0.002}	4.875 ^{+0.003} / _{+0.000}	56.60
P250-04.500	4-1/2	5	1/4	.275 ^{+0.015} / _{+0.000}	4.500 ^{+0.000} / _{-0.002}	4.501 ^{+0.003} / _{+0.000}	5.000 ^{+0.003} / _{+0.000}	4.500 ^{+0.000} / _{-0.003}	4.999 ^{+0.000} / _{-0.002}	5.000 ^{+0.003} / _{+0.000}	27.61
P250-04.500-312BHN	4-1/2	5	5/16	.344 ^{+0.015} / _{+0.000}	4.500 ^{+0.000} / _{-0.002}	4.501 ^{+0.003} / _{+0.000}	5.000 ^{+0.003} / _{+0.000}	4.500 ^{+0.000} / _{-0.003}	4.999 ^{+0.000} / _{-0.002}	5.000 ^{+0.003} / _{+0.000}	145.24
P250-04.500-375B	4-1/2	5	3/8	.413 ^{+0.015} / _{+0.000}	4.500 ^{+0.000} / _{-0.002}	4.501 ^{+0.003} / _{+0.000}	5.000 ^{+0.003} / _{+0.000}	4.500 ^{+0.000} / _{-0.003}	4.999 ^{+0.000} / _{-0.002}	5.000 ^{+0.003} / _{+0.000}	34.12
P250-04.500-375D	4-1/2	5	3/8	.413 ^{+0.015} / _{+0.000}	4.500 ^{+0.000} / _{-0.002}	4.501 ^{+0.003} / _{+0.000}	5.000 ^{+0.003} / _{+0.000}	4.500 ^{+0.000} / _{-0.003}	4.999 ^{+0.000} / _{-0.002}	5.000 ^{+0.003} / _{+0.000}	34.12
P250-04.500-562B	4-1/2	5	9/16	.619 ^{+0.015} / _{+0.000}	4.500 ^{+0.000} / _{-0.002}	4.501 ^{+0.003} / _{+0.000}	5.000 ^{+0.003} / _{+0.000}	4.500 ^{+0.000} / _{-0.003}	4.999 ^{+0.000} / _{-0.002}	5.000 ^{+0.003} / _{+0.000}	34.12
P250-04.500-562D	4-1/2	5	9/16	.619 ^{+0.015} / _{+0.000}	4.500 ^{+0.000} / _{-0.002}	4.501 ^{+0.003} / _{+0.000}	5.000 ^{+0.003} / _{+0.000}	4.500 ^{+0.000} / _{-0.003}	4.999 ^{+0.000} / _{-0.002}	5.000 ^{+0.003} / _{+0.000}	33.50
P250-04.750	4-3/4	5-1/4	1/4	.275 ^{+0.015} / _{+0.000}	4.750 ^{+0.000} / _{-0.002}	4.751 ^{+0.003} / _{+0.000}	5.250 ^{+0.003} / _{+0.000}	4.750 ^{+0.000} / _{-0.003}	5.249 ^{+0.000} / _{-0.002}	5.250 ^{+0.003} / _{+0.000}	28.95
P250-04.750-375B	4-3/4	5-1/4	3/8	.413 ^{+0.015} / _{+0.000}	4.750 ^{+0.000} / _{-0.002}	4.751 ^{+0.003} / _{+0.000}	5.250 ^{+0.003} / _{+0.000}	4.750 ^{+0.000} / _{-0.003}	5.249 ^{+0.000} / _{-0.002}	5.250 ^{+0.003} / _{+0.000}	37.48
P250-04.750-562B	4-3/4	5-1/4	9/16	.619 ^{+0.015} / _{+0.000}	4.750 ^{+0.000} / _{-0.002}	4.751 ^{+0.003} / _{+0.000}	5.250 ^{+0.003} / _{+0.000}	4.750 ^{+0.000} / _{-0.003}	5.249 ^{+0.000} / _{-0.002}	5.250 ^{+0.003} / _{+0.000}	35.69
P250-04.750-562D	4-3/4	5-1/4	9/16	.619 ^{+0.015} / _{+0.000}	4.750 ^{+0.000} / _{-0.002}	4.751 ^{+0.003} / _{+0.000}	5.250 ^{+0.003} / _{+0.000}	4.750 ^{+0.000} / _{-0.003}	5.249 ^{+0.000} / _{-0.002}	5.250 ^{+0.003} / _{+0.000}	44.57
P250-05.000	5	5-1/2	1/4	.275 ^{+0.015} / _{+0.000}	5.000 ^{+0.000} / _{-0.002}	5.001 ^{+0.003} / _{+0.000}	5.500 ^{+0.003} / _{+0.000}	5.000 ^{+0.000} / _{-0.003}	5.499 ^{+0.000} / _{-0.002}	5.500 ^{+0.003} / _{+0.000}	30.34
P250-05.000-375B	5	5-1/2	3/8	.413 ^{+0.015} / _{+0.000}	5.000 ^{+0.000} / _{-0.002}	5.001 ^{+0.003} / _{+0.000}	5.500 ^{+0.003} / _{+0.000}	5.000 ^{+0.000} / _{-0.003}	5.499 ^{+0.000} / _{-0.002}	5.500 ^{+0.003} / _{+0.000}	39.49
P250-05.000-375D	5	5-1/2	3/8	.413 ^{+0.015} / _{+0.000}	5.000 ^{+0.000} / _{-0.002}	5.001 ^{+0.003} / _{+0.000}	5.500 ^{+0.003} / _{+0.000}	5.000 ^{+0.000} / _{-0.003}	5.499 ^{+0.000} / _{-0.002}	5.500 ^{+0.003} / _{+0.000}	65.70
P250-05.000-562B	5	5-1/2	9/16	.619 ^{+0.015} / _{+0.000}	5.000 ^{+0.000} / _{-0.002}	5.001 ^{+0.003} / _{+0.000}	5.500 ^{+0.003} / _{+0.000}	5.000 ^{+0.000} / _{-0.003}	5.499 ^{+0.000} / _{-0.002}	5.500 ^{+0.003} / _{+0.000}	39.49
P250-05.000-562D	5	5-1/2	9/16	.619 ^{+0.015} / _{+0.000}	5.000 ^{+0.000} / _{-0.002}	5.001 ^{+0.003} / _{+0.000}	5.500 ^{+0.003} / _{+0.000}	5.000 ^{+0.000} / _{-0.003}	5.499 ^{+0.000} / _{-0.002}	5.500 ^{+0.003} / _{+0.000}	39.49
P250-05.250	5-1/4	5-3/4	1/4	.275 ^{+0.015} / _{+0.000}	5.250 ^{+0.000} / _{-0.002}	5.251 ^{+0.003} / _{+0.000}	5.750 ^{+0.003} / _{+0.000}	5.250 ^{+0.000} / _{-0.003}	5.749 ^{+0.000} / _{-0.002}	5.750 ^{+0.003} / _{+0.000}	31.32
P250-05.250-312B-BHT	5-1/4	5-3/4	5/16	.344 ^{+0.015} / _{+0.000}	5.250 ^{+0.000} / _{-0.002}	5.251 ^{+0.003} / _{+1.000}	5.750 ^{+0.003} / _{+0.000}	5.250 ^{+0.000} / _{-0.003}	5.749 ^{+0.000} / _{-0.002}	5.750 ^{+0.003} / _{+0.000}	66.20
P250-05.375	5-3/8	5-7/8	1/4	.275 ^{+0.015} / _{+0.000}	5.375 ^{+0.000} / _{-0.002}	5.376 ^{+0.003} / _{+0.000}	5.875 ^{+0.003} / _{+0.000}	5.375 ^{+0.000} / _{-0.003}	5.874 ^{+0.000} / _{-0.002}	5.875 ^{+0.003} / _{+0.000}	32.25
P250-05.500	5-1/2	6	1/4	.275 ^{+0.015} / _{+0.000}	5.500 ^{+0.000} / _{-0.002}	5.501 ^{+0.003} / _{+0.000}	6.000 ^{+0.003} / _{+0.000}	5.500 ^{+0.000} / _{-0.003}	5.999 ^{+0.000} / _{-0.002}	6.000 ^{+0.003} / _{+0.000}	33.18
P250-05.500-375B	5-1/2	6	3/8	.413 ^{+0.015} / _{+0.000}	5.500 ^{+0.000} / _{-0.002}	5.501 ^{+0.003} / _{+0.000}	6.000 ^{+0.003} / _{+0.000}	5.500 ^{+0.000} / _{-0.003}	5.999 ^{+0.000} / _{-0.002}	6.000 ^{+0.003} / _{+0.000}	44.83
P250-05.500-375D	5-1/2	6	3/8	.413 ^{+0.015} / _{+0.000}	5.500 ^{+0.000} / _{-0.002}	5.501 ^{+0.003} / _{+0.000}	6.000 ^{+0.003} / _{+0.000}	5.500 ^{+0.000} / _{-0.003}	5.999 ^{+0.000} / _{-0.002}	6.000 ^{+0.003} / _{+0.000}	56.52
P250-05.500-562B	5-1/2	6	9/16	.619 ^{+0.015} / _{+0.000}	5.500 ^{+0.000} / _{-0.002}	5.501 ^{+0.003} / _{+0.000}	6.000 ^{+0.003} / _{+0.000}	5.500 ^{+0.000} / _{-0.003}	5.999 ^{+0.000} / _{-0.002}	6.000 ^{+0.003} / _{+0.000}	44.83
P250-05.500-562D	5-1/2	6	9/16	.619 ^{+0.015} / _{+0.000}	5.500 ^{+0.000} / _{-0.002}	5.501 ^{+0.003} / _{+0.000}	6.000 ^{+0.003} / _{+0.000}	5.500 ^{+0.000} / _{-0.003}	5.999 ^{+0.000} / _{-0.002}	6.000 ^{+0.003} / _{+0.000}	46.14
P250-05.625	5-5/8	6-1/8	1/4	.275 ^{+0.015} / _{+0.000}	5.625 ^{+0.000} / _{-0.002}	5.626 ^{+0.003} / _{+0.000}	6.125 ^{+0.003} / _{+0.000}	5.625 ^{+0.000} / _{-0.003}	6.124 ^{+0.000} / _{-0.002}	6.125 ^{+0.003} / _{+0.000}	33.52

STYLE 850 POLYURETHANE U-SEALS

U-SEALS

Part Number	A Nom. ID	B Nom. OD	C Nom. Ht	D GROOVE WIDTH	E ROD DIAMETER	F THROAT DIAMETER	G HOUSING DIAMETER	H GROOVE DIAMETER	I PISTON DIAMETER	J BORE DIAMETER	List Price
P250-05.750-375BPM	5-3/4	6-1/4	3/8	.413 ^{+0.015} / _{+0.000}	5.750 ^{+0.000} / _{-0.002}	5.751 ^{+0.003} / _{+0.000}	6.250 ^{+0.003} / _{+0.000}	5.750 ^{+0.000} / _{-0.003}	6.249 ^{+0.000} / _{-0.002}	6.250 ^{+0.003} / _{+0.000}	103.72
P250-05.750-562B	5-3/4	6-1/4	9/16	.619 ^{+0.015} / _{+0.000}	5.750 ^{+0.000} / _{-0.002}	5.751 ^{+0.003} / _{+0.000}	6.250 ^{+0.003} / _{+0.000}	5.750 ^{+0.000} / _{-0.003}	6.249 ^{+0.000} / _{-0.002}	6.250 ^{+0.003} / _{+0.000}	50.22
P250-05.750-562D	5-3/4	6-1/4	9/16	.619 ^{+0.015} / _{+0.000}	5.750 ^{+0.000} / _{-0.002}	5.751 ^{+0.003} / _{+0.000}	6.250 ^{+0.003} / _{+0.000}	5.750 ^{+0.000} / _{-0.003}	6.249 ^{+0.000} / _{-0.002}	6.250 ^{+0.003} / _{+0.000}	50.22
P250-06.000	6	6-1/2	1/4	.275 ^{+0.015} / _{+0.000}	6.000 ^{+0.000} / _{-0.002}	6.001 ^{+0.003} / _{+0.000}	6.500 ^{+0.003} / _{+0.000}	6.000 ^{+0.000} / _{-0.003}	6.499 ^{+0.000} / _{-0.002}	6.500 ^{+0.003} / _{+0.000}	36.01
P250-06.000-312B-BHT	6	6-1/2	5/16	.344 ^{+0.015} / _{+0.000}	6.000 ^{+0.000} / _{-0.002}	6.001 ^{+0.003} / _{+0.000}	6.500 ^{+0.003} / _{+0.000}	6.000 ^{+0.000} / _{-0.003}	6.499 ^{+0.000} / _{-0.002}	6.500 ^{+0.003} / _{+0.000}	82.79
P250-06.000-375B	6	6-1/2	3/8	.413 ^{+0.015} / _{+0.000}	6.000 ^{+0.000} / _{-0.002}	6.001 ^{+0.003} / _{+0.000}	6.500 ^{+0.003} / _{+0.000}	6.000 ^{+0.000} / _{-0.003}	6.499 ^{+0.000} / _{-0.002}	6.500 ^{+0.003} / _{+0.000}	46.84
P250-06.000-562B	6	6-1/2	9/16	.619 ^{+0.015} / _{+0.000}	6.000 ^{+0.000} / _{-0.002}	6.001 ^{+0.003} / _{+0.000}	6.500 ^{+0.003} / _{+0.000}	6.000 ^{+0.000} / _{-0.003}	6.499 ^{+0.000} / _{-0.002}	6.500 ^{+0.003} / _{+0.000}	49.46
P250-06.000-562D	6	6-1/2	9/16	.619 ^{+0.015} / _{+0.000}	6.000 ^{+0.000} / _{-0.002}	6.001 ^{+0.003} / _{+0.000}	6.500 ^{+0.003} / _{+0.000}	6.000 ^{+0.000} / _{-0.003}	6.499 ^{+0.000} / _{-0.002}	6.500 ^{+0.003} / _{+0.000}	66.68
P250-06.250-562B	6-1/4	6-3/4	9/16	.619 ^{+0.015} / _{+0.000}	6.250 ^{+0.000} / _{-0.002}	6.251 ^{+0.003} / _{+0.000}	6.750 ^{+0.003} / _{+0.000}	6.250 ^{+0.000} / _{-0.003}	6.749 ^{+0.000} / _{-0.002}	6.750 ^{+0.003} / _{+0.000}	71.66
P250-06.500	6-1/2	7	1/4	.275 ^{+0.015} / _{+0.000}	6.500 ^{+0.000} / _{-0.002}	6.501 ^{+0.003} / _{+0.000}	7.000 ^{+0.003} / _{+0.000}	6.500 ^{+0.000} / _{-0.003}	6.999 ^{+0.000} / _{-0.002}	7.000 ^{+0.003} / _{+0.000}	39.88
P250-06.500-312B-BHT	6-1/2	7	5/16	.344 ^{+0.015} / _{+0.000}	6.500 ^{+0.000} / _{-0.002}	6.501 ^{+0.003} / _{+0.000}	7.000 ^{+0.003} / _{+0.000}	6.500 ^{+0.000} / _{-0.003}	6.999 ^{+0.000} / _{-0.002}	7.000 ^{+0.003} / _{+0.000}	61.47
P250-06.500-375B	6-1/2	7	3/8	.413 ^{+0.015} / _{+0.000}	6.500 ^{+0.000} / _{-0.002}	6.501 ^{+0.003} / _{+0.000}	7.000 ^{+0.003} / _{+0.000}	6.500 ^{+0.000} / _{-0.003}	6.999 ^{+0.000} / _{-0.002}	7.000 ^{+0.003} / _{+0.000}	55.35
P250-06.500-375D	6-1/2	7	3/8	.413 ^{+0.015} / _{+0.000}	6.500 ^{+0.000} / _{-0.002}	6.501 ^{+0.003} / _{+0.000}	7.000 ^{+0.003} / _{+0.000}	6.500 ^{+0.000} / _{-0.003}	6.999 ^{+0.000} / _{-0.002}	7.000 ^{+0.003} / _{+0.000}	55.35
P250-06.500-562B	6-1/2	7	9/16	.619 ^{+0.015} / _{+0.000}	6.500 ^{+0.000} / _{-0.002}	6.501 ^{+0.003} / _{+0.000}	7.000 ^{+0.003} / _{+0.000}	6.500 ^{+0.000} / _{-0.003}	6.999 ^{+0.000} / _{-0.002}	7.000 ^{+0.003} / _{+0.000}	53.10
P250-06.500-562D	6-1/2	7	9/16	.619 ^{+0.015} / _{+0.000}	6.500 ^{+0.000} / _{-0.002}	6.501 ^{+0.003} / _{+0.000}	7.000 ^{+0.003} / _{+0.000}	6.500 ^{+0.000} / _{-0.003}	6.999 ^{+0.000} / _{-0.002}	7.000 ^{+0.003} / _{+0.000}	90.53
P250-06.750	6-3/4	7-1/4	1/4	.275 ^{+0.015} / _{+0.000}	6.750 ^{+0.000} / _{-0.002}	6.751 ^{+0.003} / _{+0.000}	7.250 ^{+0.003} / _{+0.000}	6.750 ^{+0.000} / _{-0.003}	7.249 ^{+0.000} / _{-0.002}	7.250 ^{+0.003} / _{+0.000}	41.22
P250-06.750-562B	6-3/4	7-1/4	9/16	.619 ^{+0.015} / _{+0.000}	6.750 ^{+0.000} / _{-0.002}	6.751 ^{+0.003} / _{+0.000}	7.250 ^{+0.003} / _{+0.000}	6.750 ^{+0.000} / _{-0.003}	7.249 ^{+0.000} / _{-0.002}	7.250 ^{+0.003} / _{+0.000}	107.55
P250-07.000-375B	7	7-1/2	3/8	.413 ^{+0.015} / _{+0.000}	7.000 ^{+0.000} / _{-0.002}	7.001 ^{+0.003} / _{+0.000}	7.500 ^{+0.003} / _{+0.000}	7.000 ^{+0.000} / _{-0.003}	7.499 ^{+0.000} / _{-0.002}	7.500 ^{+0.003} / _{+0.000}	52.70
P250-07.000-562B	7	7-1/2	9/16	.619 ^{+0.015} / _{+0.000}	7.000 ^{+0.000} / _{-0.002}	7.001 ^{+0.003} / _{+0.000}	7.500 ^{+0.003} / _{+0.000}	7.000 ^{+0.000} / _{-0.003}	7.499 ^{+0.000} / _{-0.002}	7.500 ^{+0.003} / _{+0.000}	56.37
P250-07.500	7-1/2	8	1/4	.275 ^{+0.015} / _{+0.000}	7.500 ^{+0.000} / _{-0.002}	7.501 ^{+0.003} / _{+0.000}	8.000 ^{+0.003} / _{+0.000}	7.500 ^{+0.000} / _{-0.003}	7.999 ^{+0.000} / _{-0.002}	8.000 ^{+0.003} / _{+0.000}	45.17
P250-07.500-312B-BHT	7-1/2	8	5/16	.344 ^{+0.015} / _{+0.000}	7.500 ^{+0.000} / _{-0.002}	7.501 ^{+0.003} / _{+0.000}	8.000 ^{+0.003} / _{+0.000}	7.500 ^{+0.000} / _{-0.003}	7.999 ^{+0.000} / _{-0.002}	8.000 ^{+0.003} / _{+0.000}	94.12
P250-07.500-562B	7-1/2	8	9/16	.619 ^{+0.015} / _{+0.000}	7.500 ^{+0.000} / _{-0.002}	7.501 ^{+0.003} / _{+0.000}	8.000 ^{+0.003} / _{+0.000}	7.500 ^{+0.000} / _{-0.003}	7.999 ^{+0.000} / _{-0.002}	8.000 ^{+0.003} / _{+0.000}	65.12
P250-07.500-562D	7-1/2	8	9/16	.619 ^{+0.015} / _{+0.000}	7.500 ^{+0.000} / _{-0.002}	7.501 ^{+0.003} / _{+0.000}	8.000 ^{+0.003} / _{+0.000}	7.500 ^{+0.000} / _{-0.003}	7.999 ^{+0.000} / _{-0.002}	8.000 ^{+0.003} / _{+0.000}	83.38
P250-08.000-562B	8	8-1/2	9/16	.619 ^{+0.015} / _{+0.000}	8.000 ^{+0.000} / _{-0.002}	8.001 ^{+0.003} / _{+0.000}	8.500 ^{+0.003} / _{+0.000}	8.000 ^{+0.000} / _{-0.003}	8.499 ^{+0.000} / _{-0.002}	8.500 ^{+0.003} / _{+0.000}	69.59
P250-08.250-312B-BHT	8-1/4	8-3/4	5/16	.344 ^{+0.015} / _{+0.000}	8.250 ^{+0.000} / _{-0.002}	8.251 ^{+0.003} / _{+0.000}	8.750 ^{+0.003} / _{+0.000}	8.250 ^{+0.000} / _{-0.003}	8.749 ^{+0.000} / _{-0.002}	8.750 ^{+0.003} / _{+0.000}	133.50
P250-08.500-562B	8-1/2	9	9/16	.619 ^{+0.015} / _{+0.000}	8.500 ^{+0.000} / _{-0.002}	8.501 ^{+0.003} / _{+0.000}	9.000 ^{+0.003} / _{+0.000}	8.500 ^{+0.000} / _{-0.003}	8.999 ^{+0.000} / _{-0.002}	9.000 ^{+0.003} / _{+0.000}	74.47
P250-09.000-312B-BHT	9	9-1/2	5/16	.344 ^{+0.015} / _{+0.000}	9.000 ^{+0.000} / _{-0.002}	9.001 ^{+0.003} / _{+0.000}	9.500 ^{+0.003} / _{+0.000}	9.000 ^{+0.000} / _{-0.003}	8.999 ^{+0.000} / _{-0.002}	9.500 ^{+0.003} / _{+0.000}	182.47
P250-10.000-562B	10	10-1/2	9/16	.619 ^{+0.015} / _{+0.000}	10.000 ^{+0.000} / _{-0.002}	10.001 ^{+0.003} / _{+0.000}	10.500 ^{+0.003} / _{+0.000}	10.000 ^{+0.000} / _{-0.003}	10.499 ^{+0.000} / _{-0.002}	10.500 ^{+0.003} / _{+0.000}	118.92
P250-11.500	11-1/2	12	1/4	.275 ^{+0.015} / _{+0.000}	11.500 ^{+0.000} / _{-0.002}	11.501 ^{+0.003} / _{+0.000}	12.000 ^{+0.003} / _{+0.000}	11.500 ^{+0.000} / _{-0.003}	11.999 ^{+0.000} / _{-0.002}	12.000 ^{+0.003} / _{+0.000}	95.56
9/32" C/S											
P281-05.000-343BHN	5	5-9/16	11/32	.379 ^{+0.015} / _{+0.000}	5.000 ^{+0.000} / _{-0.002}	5.001 ^{+0.003} / _{+0.000}	5.563 ^{+0.003} / _{+0.000}	5.000 ^{+0.000} / _{-0.003}	5.562 ^{+0.000} / _{-0.002}	5.563 ^{+0.003} / _{+0.000}	\$262.72
5/16" C/S											
P312-00.875	7/8	1-1/2	5/16	.344 ^{+0.015} / _{+0.000}	.875 ^{+0.000} / _{-0.002}	.877 ^{+0.003} / _{+0.000}	1.500 ^{+0.004} / _{+0.000}	.875 ^{+0.000} / _{-0.004}	1.498 ^{+0.000} / _{-0.002}	1.500 ^{+0.003} / _{+0.000}	\$11.07

STYLE 850 POLYURETHANE U-SEALS



U-SEALS

Part Number	A Nom. ID	B Nom. OD	C Nom. Ht	D GROOVE WIDTH	E ROD DIAMETER	F THROAT DIAMETER	G HOUSING DIAMETER	H GROOVE DIAMETER	I PISTON DIAMETER	J BORE DIAMETER	List Price
P312-01.000-500B	1	1-5/8	1/2	.550 +.015 +0.000	1.000 +.000 -0.002	1.002 +.003 +0.000	1.625 +.004 +0.000	1.000 +.000 -0.004	1.623 +.000 -0.002	1.625 +.003 +0.000	16.27
P312-01.187	1-3/16	1-13/16	5/16	.344 +.015 +0.000	1.187 +.000 -0.002	1.189 +.003 +0.000	1.813 +.004 +0.000	1.187 +.000 -0.004	1.810 +.000 -0.002	1.813 +.003 +0.000	11.42
P312-01.250-500B	1-1/4	1-7/8	1/2	.550 +.015 +0.000	1.250 +.000 -0.002	1.252 +.003 +0.000	1.875 +.004 +0.000	1.250 +.000 -0.004	1.873 +.000 -0.002	1.875 +.003 +0.000	12.57
P312-01.375	1-3/8	2	5/16	.344 +.015 +0.000	1.375 +.000 -0.002	1.377 +.003 +0.000	2.000 +.004 +0.000	1.375 +.000 -0.004	1.998 +.000 -0.002	2.000 +.003 +0.000	12.57
P312-01.375-500B	1-3/8	2	1/2	.550 +.015 +0.000	1.375 +.000 -0.002	1.377 +.003 +0.000	2.000 +.004 +0.000	1.375 +.000 -0.004	1.998 +.000 -0.002	2.000 +.003 +0.000	22.44
P312-01.500	1-1/2	2-1/8	5/16	.344 +.015 +0.000	1.500 +.000 -0.002	1.502 +.003 +0.000	2.125 +.004 +0.000	1.500 +.000 -0.004	2.123 +.000 -0.002	2.125 +.003 +0.000	12.82
P312-01.500-500B	1-1/2	2-1/8	1/2	.550 +.015 +0.000	1.500 +.000 -0.002	1.502 +.003 +0.000	2.125 +.004 +0.000	1.500 +.000 -0.004	2.123 +.000 -0.002	2.125 +.003 +0.000	15.08
P312-01.500-500D	1-1/2	2-1/8	1/2	.550 +.015 +0.000	1.500 +.000 -0.002	1.502 +.003 +0.000	2.125 +.004 +0.000	1.500 +.000 -0.004	2.123 +.000 -0.002	2.125 +.003 +0.000	22.44
P312-01.625	1-5/8	2-1/4	5/16	.344 +.015 +0.000	1.625 +.000 -0.002	1.627 +.003 +0.000	2.250 +.004 +0.000	1.625 +.000 -0.004	2.248 +.000 -0.002	2.250 +.003 +0.000	19.55
P312-01.750	1-3/4	2-3/8	5/16	.344 +.015 +0.000	1.750 +.000 -0.002	1.752 +.003 +0.000	2.375 +.004 +0.000	1.750 +.000 -0.004	2.373 +.000 -0.002	2.375 +.003 +0.000	15.08
P312-01.750-500B	1-3/4	2-3/8	1/2	.550 +.015 +0.000	1.750 +.000 -0.002	1.752 +.003 +0.000	2.375 +.004 +0.000	1.750 +.000 -0.004	2.373 +.000 -0.002	2.375 +.003 +0.000	16.76
P312-01.750-500D	1-3/4	2-3/8	1/2	.550 +.015 +0.000	1.750 +.000 -0.002	1.752 +.003 +0.000	2.375 +.004 +0.000	1.750 +.000 -0.004	2.373 +.000 -0.002	2.375 +.003 +0.000	16.76
P312-01.875	1-7/8	2-1/2	5/16	.344 +.015 +0.000	1.875 +.000 -0.002	1.877 +.003 +0.000	2.500 +.004 +0.000	1.875 +.000 -0.004	2.498 +.000 -0.002	2.500 +.003 +0.000	15.56
P312-01.875-500B	1-7/8	2-1/2	1/2	.550 +.015 +0.000	1.875 +.000 -0.002	1.877 +.003 +0.000	2.500 +.004 +0.000	1.875 +.000 -0.004	2.498 +.000 -0.002	2.500 +.003 +0.000	17.47
P312-02.000	2	2-5/8	5/16	.344 +.015 +0.000	2.000 +.000 -0.002	2.002 +.003 +0.000	2.625 +.004 +0.000	2.000 +.000 -0.004	2.623 +.000 -0.002	2.625 +.003 +0.000	17.04
P312-02.000-500B	2	2-5/8	1/2	.550 +.015 +0.000	2.000 +.000 -0.002	2.002 +.003 +0.000	2.625 +.004 +0.000	2.000 +.000 -0.004	2.623 +.000 -0.002	2.625 +.003 +0.000	17.91
P312-02.000-500D	2	2-5/8	1/2	.550 +.015 +0.000	2.000 +.000 -0.002	2.002 +.003 +0.000	2.625 +.004 +0.000	2.000 +.000 -0.004	2.623 +.000 -0.002	2.625 +.003 +0.000	17.91
P312-02.125-500B	2-1/8	2-3/4	1/2	.550 +.015 +0.000	2.125 +.000 -0.002	2.126 +.003 +0.000	2.750 +.004 +0.000	2.125 +.000 -0.004	2.749 +.000 -0.002	2.750 +.003 +0.000	32.06
P312-02.250	2-1/4	2-7/8	5/16	.344 +.015 +0.000	2.250 +.000 -0.002	2.252 +.003 +0.000	2.875 +.004 +0.000	2.250 +.000 -0.004	2.873 +.000 -0.002	2.875 +.003 +0.000	17.91
P312-02.250-500B	2-1/4	2-7/8	1/2	.550 +.015 +0.000	2.250 +.000 -0.002	2.252 +.003 +0.000	2.875 +.004 +0.000	2.250 +.000 -0.004	2.873 +.000 -0.002	2.875 +.003 +0.000	21.21
P312-02.375	2-3/8	3	5/16	.344 +.015 +0.000	2.375 +.000 -0.002	2.377 +.003 +0.000	3.000 +.004 +0.000	2.375 +.000 -0.004	2.998 +.000 -0.002	3.000 +.003 +0.000	18.86
P312-02.375-500B	2-3/8	3	1/2	.550 +.015 +0.000	2.375 +.000 -0.002	2.377 +.003 +0.000	3.000 +.004 +0.000	2.375 +.000 -0.004	2.998 +.000 -0.002	3.000 +.003 +0.000	20.57
P312-02.375-500D	2-3/8	3	1/2	.550 +.015 +0.000	2.375 +.000 -0.002	2.377 +.003 +0.000	3.000 +.004 +0.000	2.375 +.000 -0.004	2.998 +.000 -0.002	3.000 +.003 +0.000	20.57
P312-02.500	2-1/2	3-1/8	5/16	.344 +.015 +0.000	2.500 +.000 -0.002	2.502 +.003 +0.000	3.125 +.004 +0.000	2.500 +.000 -0.004	3.123 +.000 -0.002	3.125 +.003 +0.000	19.64
P312-02.500-500B	2-1/2	3-1/8	1/2	.550 +.015 +0.000	2.500 +.000 -0.002	2.502 +.003 +0.000	3.125 +.004 +0.000	2.500 +.000 -0.004	3.123 +.000 -0.002	3.125 +.003 +0.000	21.42
P312-02.625-500B	2-5/8	3-1/4	1/2	.550 +.015 +0.000	2.625 +.000 -0.002	2.627 +.003 +0.000	3.250 +.004 +0.000	2.625 +.000 -0.004	3.248 +.000 -0.002	3.250 +.003 +0.000	48.82
P312-02.750	2-3/4	3-3/8	5/16	.344 +.015 +0.000	2.750 +.000 -0.002	2.752 +.003 +0.000	3.375 +.004 +0.000	2.750 +.000 -0.004	3.373 +.000 -0.002	3.375 +.003 +0.000	21.00
P312-02.750-500B	2-3/4	3-3/8	1/2	.550 +.015 +0.000	2.750 +.000 -0.002	2.752 +.003 +0.000	3.375 +.004 +0.000	2.750 +.000 -0.004	3.373 +.000 -0.002	3.375 +.003 +0.000	23.28
P312-03.000-500B	3	3-5/8	1/2	.550 +.015 +0.000	3.000 +.000 -0.002	3.002 +.003 +0.000	3.625 +.004 +0.000	3.000 +.000 -0.004	3.623 +.000 -0.002	3.625 +.003 +0.000	25.16
P312-03.125	3-1/8	3-3/4	5/16	.344 +.015 +0.000	3.125 +.000 -0.002	3.127 +.003 +0.000	3.750 +.004 +0.000	3.125 +.000 -0.004	3.748 +.000 -0.002	3.750 +.003 +0.000	31.41
P312-03.250-500B	3-1/4	3-7/8	1/2	.550 +.015 +0.000	3.250 +.000 -0.002	3.252 +.003 +0.000	3.875 +.004 +0.000	3.250 +.000 -0.004	3.873 +.000 -0.002	3.875 +.003 +0.000	31.44
P312-03.375	3-3/8	4	5/16	.344 +.015 +0.000	3.375 +.000 -0.002	3.377 +.003 +0.000	4.000 +.004 +0.000	3.375 +.000 -0.004	3.998 +.000 -0.002	4.000 +.003 +0.000	25.66
P312-03.375-500B	3-3/8	4	1/2	.550 +.015 +0.000	3.375 +.000 -0.002	3.377 +.003 +0.000	4.000 +.004 +0.000	3.375 +.000 -0.004	3.998 +.000 -0.002	4.000 +.003 +0.000	27.94

FORMERLY LISTED REPAIR PARTS ARE AVAILABLE ONLINE AT WWW.HERCULESUS.COM
OR BY CONTACTING YOUR REGIONAL HERCULES SALES TEAM.

STYLE 850 POLYURETHANE U-SEALS

U-SEALS

Part Number	A Nom. ID	B Nom. OD	C Nom. Ht	D GROOVE WIDTH	E ROD DIAMETER	F THROAT DIAMETER	G HOUSING DIAMETER	H GROOVE DIAMETER	I PISTON DIAMETER	J BORE DIAMETER	List Price
P312-03.375-500D	3-3/8	4	1/2	.550 +.015 +0.000	3.375 +.000 -0.002	3.377 +.003 +0.000	4.000 +.004 +0.000	3.375 +.000 -0.004	3.998 +.000 -0.002	4.000 +.003 +0.000	27.94
P312-03.500	3-1/2	4-1/8	5/16	.344 +.015 +0.000	3.500 +.000 -0.002	3.502 +.003 +0.000	4.125 +.004 +0.000	3.500 +.000 -0.004	4.123 +.000 -0.002	4.125 +.003 +0.000	26.53
P312-03.500-500B	3-1/2	4-1/8	1/2	.550 +.015 +0.000	3.500 +.000 -0.002	3.502 +.003 +0.000	4.125 +.004 +0.000	3.500 +.000 -0.004	4.123 +.000 -0.002	4.125 +.003 +0.000	30.49
P312-03.750	3-3/4	4-3/8	5/16	.344 +.015 +0.000	3.750 +.000 -0.002	3.752 +.003 +0.000	4.375 +.004 +0.000	3.750 +.000 -0.004	4.373 +.000 -0.002	4.375 +.003 +0.000	28.24
P312-03.750-375B	3-3/4	4-3/8	3/8	.413 +.015 +0.000	3.750 +.000 -0.002	3.752 +.003 +0.000	4.375 +.004 +0.000	3.750 +.000 -0.004	4.373 +.000 -0.002	4.375 +.003 +0.000	30.81
P312-03.875-500D	3-7/8	4-1/2	1/2	.550 +.015 +0.000	3.875 +.000 -0.002	3.877 +.003 +0.000	4.500 +.004 +0.000	3.875 +.000 -0.004	4.498 +.000 -0.002	4.500 +.003 +0.000	33.79
P312-04.000	4	4-5/8	5/16	.344 +.015 +0.000	4.000 +.000 -0.002	4.002 +.003 +0.000	4.625 +.004 +0.000	4.000 +.000 -0.004	4.623 +.000 -0.002	4.625 +.003 +0.000	31.31
P312-04.000-562B	4	4-5/8	9/16	.619 +.015 +0.000	4.000 +.000 -0.002	4.002 +.003 +0.000	4.625 +.004 +0.000	4.000 +.000 -0.004	4.623 +.000 -0.002	4.625 +.003 +0.000	33.02
P312-04.125-562B	4-1/8	4-3/4	9/16	.619 +.015 +0.000	4.125 +.000 -0.002	4.127 +.003 +0.000	4.750 +.004 +0.000	4.125 +.000 -0.004	4.748 +.000 -0.002	4.750 +.003 +0.000	33.87
P312-04.250-562B	4-1/4	4-7/8	9/16	.619 +.015 +0.000	4.250 +.000 -0.002	4.252 +.003 +0.000	4.875 +.004 +0.000	4.250 +.000 -0.004	4.873 +.000 -0.002	4.875 +.003 +0.000	34.73
P312-04.375	4-3/8	5	5/16	.344 +.015 +0.000	4.375 +.000 -0.002	4.377 +.003 +0.000	5.000 +.004 +0.000	4.375 +.000 -0.004	4.998 +.000 -0.002	5.000 +.003 +0.000	32.93
P312-04.375-562D	4-3/8	5	9/16	.619 +.015 +0.000	4.375 +.000 -0.002	4.377 +.003 +0.000	5.000 +.004 +0.000	4.375 +.000 -0.004	4.998 +.000 -0.002	5.000 +.003 +0.000	62.53
P312-04.750	4-3/4	5-3/8	5/16	.344 +.015 +0.000	4.750 +.000 -0.002	4.752 +.003 +0.000	5.375 +.004 +0.000	4.750 +.000 -0.004	5.373 +.000 -0.002	5.375 +.003 +0.000	35.53
P312-04.750-625B	4-3/4	5-3/8	5/8	.688 +.015 +0.000	4.750 +.000 -0.002	4.752 +.003 +0.000	5.375 +.004 +0.000	4.750 +.000 -0.004	5.373 +.000 -0.002	5.375 +.003 +0.000	39.88
P312-05.375-625D	5-3/8	6	5/8	.688 +.015 +0.000	5.375 +.000 -0.002	5.376 +.003 +0.000	6.000 +.004 +0.000	5.375 +.000 -0.004	5.998 +.000 -0.002	6.000 +.003 +0.000	56.22
P312-05.500	5-1/2	6-1/8	5/16	.344 +.015 +0.000	5.500 +.000 -0.002	5.502 +.003 +0.000	6.125 +.004 +0.000	5.500 +.000 -0.004	6.123 +.000 -0.002	6.125 +.003 +0.000	41.05
P312-05.500-375BHN	5-1/2	6-1/8	3/8	.413 +.015 +0.000	5.500 +.000 -0.002	5.502 +.003 +0.000	6.125 +.004 +0.000	5.500 +.000 -0.004	6.123 +.000 -0.002	6.125 +.003 +0.000	168.80
P312-07.000	7	7-5/8	5/16	.344 +.015 +0.000	7.000 +.000 -0.002	7.002 +.003 +0.000	7.625 +.004 +0.000	7.000 +.000 -0.004	7.623 +.000 -0.002	7.625 +.003 +0.000	59.65
P312-07.250	7-1/4	7-7/8	5/16	.344 +.015 +0.000	7.250 +.000 -0.002	7.252 +.003 +0.000	7.875 +.004 +0.000	7.250 +.000 -0.004	7.873 +.000 -0.002	7.875 +.003 +0.000	51.87
P312-07.375	7-3/8	8	5/16	.344 +.015 +0.000	7.375 +.000 -0.002	7.377 +.003 +0.000	8.000 +.004 +0.000	7.375 +.000 -0.004	7.998 +.000 -0.002	8.000 +.003 +0.000	51.87
P312-07.875-625B	7-7/8	8-1/2	5/8	.688 +.015 +0.000	7.875 +.000 -0.002	7.877 +.003 +0.000	8.500 +.004 +0.000	7.875 +.000 -0.004	8.498 +.000 -0.002	8.500 +.003 +0.000	119.42
P312-08.000	8	8-5/8	5/16	.344 +.015 +0.000	8.000 +.000 -0.002	8.002 +.003 +0.000	8.625 +.004 +0.000	8.000 +.000 -0.004	8.623 +.000 -0.002	8.625 +.003 +0.000	66.91
3/8" C/S											
P375-00.750	3/4	1-1/2	3/8	.413 +.015 +0.000	.750 +.000 -0.002	.752 +.004 +0.000	1.500 +.005 +0.000	.750 +.000 -0.005	1.498 +.000 -0.002	1.500 +.004 +0.000	\$27.96
P375-00.875	7/8	1-5/8	3/8	.413 +.015 +0.000	.875 +.000 -0.002	.877 +.004 +0.000	1.625 +.005 +0.000	.875 +.000 -0.005	1.623 +.000 -0.002	1.625 +.004 +0.000	29.74
P375-01.250	1-1/4	2	3/8	.413 +.015 +0.000	1.250 +.000 -0.002	1.252 +.004 +0.000	2.000 +.005 +0.000	1.250 +.000 -0.005	1.998 +.000 -0.002	2.000 +.004 +0.000	16.20
P375-01.375	1-3/8	2-1/8	3/8	.413 +.015 +0.000	1.375 +.000 -0.002	1.377 +.004 +0.000	2.125 +.005 +0.000	1.375 +.000 -0.005	2.123 +.000 -0.002	2.125 +.004 +0.000	20.73
P375-01.500	1-1/2	2-1/4	3/8	.413 +.015 +0.000	1.500 +.000 -0.002	1.502 +.004 +0.000	2.250 +.005 +0.000	1.500 +.000 -0.005	2.248 +.000 -0.002	2.250 +.004 +0.000	17.50
P375-01.500-625B	1-1/2	2-1/4	5/8	.688 +.015 +0.000	1.500 +.000 -0.002	1.502 +.004 +0.000	2.250 +.005 +0.000	1.500 +.000 -0.005	2.248 +.000 -0.002	2.250 +.004 +0.000	20.94
P375-01.625	1-5/8	2-3/8	3/8	.413 +.015 +0.000	1.625 +.000 -0.002	1.627 +.004 +0.000	2.375 +.005 +0.000	1.625 +.000 -0.005	2.373 +.000 -0.002	2.375 +.004 +0.000	22.76
P375-01.750	1-3/4	2-1/2	3/8	.413 +.015 +0.000	1.750 +.000 -0.002	1.752 +.004 +0.000	2.500 +.005 +0.000	1.750 +.000 -0.005	2.498 +.000 -0.002	2.500 +.004 +0.000	19.95
P375-01.750-625B	1-3/4	2-1/2	5/8	.688 +.015 +0.000	1.750 +.000 -0.002	1.752 +.004 +0.000	2.500 +.005 +0.000	1.750 +.000 -0.005	2.498 +.000 -0.002	2.500 +.004 +0.000	21.69
P375-02.000	2	2-3/4	3/8	.413 +.015 +0.000	2.000 +.000 -0.002	2.002 +.004 +0.000	2.750 +.005 +0.000	2.000 +.000 -0.005	2.748 +.000 -0.002	2.750 +.004 +0.000	22.98

STYLE 850 POLYURETHANE U-SEALS



U-SEALS

Part Number	A Nom. ID	B Nom. OD	C Nom. Ht	D GROOVE WIDTH	E ROD DIAMETER	F THROAT DIAMETER	G HOUSING DIAMETER	H GROOVE DIAMETER	I PISTON DIAMETER	J BORE DIAMETER	List Price
P375-02.000-625B	2	2-3/4	5/8	.688 +.015 +.000	2.000 +.000 -.002	2.002 +.004 +.000	2.750 +.005 +.000	2.000 +.000 -.005	2.748 +.000 -.002	2.750 +.004 +.000	25.33
P375-02.000-625D	2	2-3/4	5/8	.688 +.015 +.000	2.000 +.000 -.002	2.002 +.004 +.000	2.750 +.005 +.000	2.000 +.000 -.005	2.748 +.000 -.002	2.750 +.004 +.000	65.20
P375-02.125	2-1/8	2-7/8	3/8	.413 +.015 +.000	2.125 +.000 -.002	2.126 +.004 +.000	2.875 +.005 +.000	2.125 +.000 -.005	2.874 +.000 -.002	2.875 +.004 +.000	24.22
P375-02.250-625B	2-1/4	3	5/8	.688 +.015 +.000	2.250 +.000 -.002	2.252 +.004 +.000	3.000 +.005 +.000	2.250 +.000 -.005	2.998 +.000 -.002	3.000 +.004 +.000	28.21
P375-02.250-625D	2-1/4	3	5/8	.688 +.015 +.000	2.250 +.000 -.002	2.252 +.004 +.000	3.000 +.005 +.000	2.250 +.000 -.005	2.998 +.000 -.002	3.000 +.004 +.000	29.12
P375-02.375-625B	2-3/8	3-1/8	5/8	.688 +.015 +.000	2.375 +.000 -.002	2.377 +.004 +.000	3.125 +.005 +.000	2.375 +.000 -.005	3.123 +.000 -.002	3.125 +.004 +.000	40.25
P375-02.500	2-1/2	3-1/4	3/8	.413 +.015 +.000	2.500 +.000 -.002	2.502 +.004 +.000	3.250 +.005 +.000	2.500 +.000 -.005	3.248 +.000 -.002	3.250 +.004 +.000	27.93
P375-02.500-625B	2-1/2	3-1/4	5/8	.688 +.015 +.000	2.500 +.000 -.002	2.502 +.004 +.000	3.250 +.005 +.000	2.500 +.000 -.005	3.248 +.000 -.002	3.250 +.004 +.000	29.71
P375-02.500-625D	2-1/2	3-1/4	5/8	.688 +.015 +.000	2.500 +.000 -.002	2.502 +.004 +.000	3.250 +.005 +.000	2.500 +.000 -.005	3.248 +.000 -.002	3.250 +.004 +.000	52.39
P375-02.625-625B	2-5/8	3-3/8	5/8	.688 +.015 +.000	2.625 +.000 -.002	2.627 +.004 +.000	3.375 +.005 +.000	2.625 +.000 -.005	3.373 +.000 -.002	3.375 +.004 +.000	52.43
P375-02.750	2-3/4	3-1/2	3/8	.413 +.015 +.000	2.750 +.000 -.002	2.752 +.004 +.000	3.500 +.005 +.000	2.750 +.000 -.005	3.498 +.000 -.002	3.500 +.004 +.000	29.38
P375-02.750-625B	2-3/4	3-1/2	5/8	.688 +.015 +.000	2.750 +.000 -.002	2.752 +.004 +.000	3.500 +.005 +.000	2.750 +.000 -.005	3.498 +.000 -.002	3.500 +.004 +.000	33.90
P375-03.000	3	3-3/4	3/8	.413 +.015 +.000	3.000 +.000 -.002	3.002 +.004 +.000	3.750 +.005 +.000	3.000 +.000 -.005	3.748 +.000 -.002	3.750 +.004 +.000	33.52
P375-03.000-375B	3	3-3/4	3/8	.413 +.015 +.000	3.000 +.000 -.002	3.002 +.004 +.000	3.750 +.005 +.000	3.000 +.000 -.005	3.748 +.000 -.002	3.750 +.004 +.000	32.36
P375-03.000-625B	3	3-3/4	5/8	.688 +.015 +.000	3.000 +.000 -.002	3.002 +.004 +.000	3.750 +.005 +.000	3.000 +.000 -.005	3.748 +.000 -.002	3.750 +.004 +.000	35.30
P375-03.000-625D	3	3-3/4	5/8	.688 +.015 +.000	3.000 +.000 -.002	3.002 +.004 +.000	3.750 +.005 +.000	3.000 +.000 -.005	3.748 +.000 -.002	3.750 +.004 +.000	35.30
P375-03.250	3-1/4	4	3/8	.413 +.015 +.000	3.250 +.000 -.002	3.252 +.004 +.000	4.000 +.005 +.000	3.250 +.000 -.005	3.998 +.000 -.002	4.000 +.004 +.000	33.82
P375-03.250-625B	3-1/4	4	5/8	.688 +.015 +.000	3.250 +.000 -.002	3.252 +.004 +.000	4.000 +.005 +.000	3.250 +.000 -.005	3.998 +.000 -.002	4.000 +.004 +.000	37.48
P375-03.250-625D	3-1/4	4	5/8	.688 +.015 +.000	3.250 +.000 -.002	3.252 +.004 +.000	4.000 +.005 +.000	3.250 +.000 -.005	3.998 +.000 -.002	4.000 +.004 +.000	37.48
P375-03.375-625B	3-3/8	4-1/8	5/8	.688 +.015 +.000	3.375 +.000 -.002	3.377 +.004 +.000	4.125 +.005 +.000	3.375 +.000 -.005	4.123 +.000 -.002	4.125 +.004 +.000	38.37
P375-03.500	3-1/2	4-1/4	3/8	.413 +.015 +.000	3.500 +.000 -.002	3.502 +.004 +.000	4.250 +.005 +.000	3.500 +.000 -.005	4.248 +.000 -.002	4.250 +.004 +.000	36.51
P375-03.500-625B	3-1/2	4-1/4	5/8	.688 +.015 +.000	3.500 +.000 -.002	3.502 +.004 +.000	4.250 +.005 +.000	3.500 +.000 -.005	4.248 +.000 -.002	4.250 +.004 +.000	40.11
P375-03.500-625D	3-1/2	4-1/4	5/8	.688 +.015 +.000	3.500 +.000 -.002	3.502 +.004 +.000	4.250 +.005 +.000	3.500 +.000 -.005	4.248 +.000 -.002	4.250 +.004 +.000	40.11
P375-03.625-625B	3-5/8	4-3/8	5/8	.688 +.015 +.000	3.625 +.000 -.002	3.627 +.004 +.000	4.375 +.005 +.000	3.625 +.000 -.005	4.373 +.000 -.002	4.375 +.004 +.000	41.58
P375-03.750	3-3/4	4-1/2	3/8	.413 +.015 +.000	3.750 +.000 -.002	3.752 +.004 +.000	4.500 +.005 +.000	3.750 +.000 -.005	4.498 +.000 -.002	4.500 +.004 +.000	38.37
P375-03.750-625B	3-3/4	4-1/2	5/8	.688 +.015 +.000	3.750 +.000 -.002	3.752 +.004 +.000	4.500 +.005 +.000	3.750 +.000 -.005	4.498 +.000 -.002	4.500 +.004 +.000	45.57
P375-04.000	4	4-3/4	3/8	.413 +.015 +.000	4.000 +.000 -.002	4.002 +.004 +.000	4.750 +.005 +.000	4.000 +.000 -.005	4.748 +.000 -.002	4.750 +.004 +.000	40.22
P375-04.000-625B	4	4-3/4	5/8	.688 +.015 +.000	4.000 +.000 -.002	4.002 +.004 +.000	4.750 +.005 +.000	4.000 +.000 -.005	4.748 +.000 -.002	4.750 +.004 +.000	45.30
P375-04.250	4-1/4	5	3/8	.413 +.015 +.000	4.250 +.000 -.002	4.252 +.004 +.000	5.000 +.005 +.000	4.250 +.000 -.005	4.998 +.000 -.002	5.000 +.004 +.000	43.29
P375-04.250-375B	4-1/4	5	3/8	.413 +.015 +.000	4.250 +.000 -.002	4.252 +.004 +.000	5.000 +.005 +.000	4.250 +.000 -.005	4.998 +.000 -.002	5.000 +.004 +.000	43.26
P375-04.250-625B	4-1/4	5	5/8	.688 +.015 +.000	4.250 +.000 -.002	4.252 +.004 +.000	5.000 +.005 +.000	4.250 +.000 -.005	4.998 +.000 -.002	5.000 +.004 +.000	47.40
P375-04.250-625D	4-1/4	5	5/8	.688 +.015 +.000	4.250 +.000 -.002	4.252 +.004 +.000	5.000 +.005 +.000	4.250 +.000 -.005	4.998 +.000 -.002	5.000 +.004 +.000	47.40
P375-04.500	4-1/2	5-1/4	3/8	.413 +.015 +.000	4.500 +.000 -.002	4.502 +.004 +.000	5.250 +.005 +.000	4.500 +.000 -.005	5.248 +.000 -.002	5.250 +.004 +.000	47.64

STYLE 850 POLYURETHANE U-SEALS

U-SEALS

Part Number	A Nom. ID	B Nom. OD	C Nom. Ht	D GROOVE WIDTH	E ROD DIAMETER	F THROAT DIAMETER	G HOUSING DIAMETER	H GROOVE DIAMETER	I PISTON DIAMETER	J BORE DIAMETER	List Price
P375-04.500-625B	4-1/2	5-1/4	5/8	.688 +.015 +0.000	4.500 +.000 -.002	4.502 +.004 +0.000	5.250 +.005 +0.000	4.500 +.000 -.005	5.248 +.000 -.002	5.250 +.004 +0.000	49.76
P375-04.750	4-3/4	5-1/2	3/8	.413 +.015 +0.000	4.750 +.000 -.002	4.752 +.004 +0.000	5.500 +.005 +0.000	4.750 +.000 -.005	5.498 +.000 -.002	5.500 +.004 +0.000	50.01
P375-04.750-625B	4-3/4	5-1/2	5/8	.688 +.015 +0.000	4.750 +.000 -.002	4.752 +.004 +0.000	5.500 +.005 +0.000	4.750 +.000 -.005	5.498 +.000 -.002	5.500 +.004 +0.000	52.05
P375-04.750-625D	4-3/4	5-1/2	5/8	.688 +.015 +0.000	4.750 +.000 -.002	4.752 +.004 +0.000	5.500 +.005 +0.000	4.750 +.000 -.005	5.498 +.000 -.002	5.500 +.004 +0.000	52.05
P375-05.000	5	5-3/4	3/8	.413 +.015 +0.000	5.000 +.000 -.002	5.002 +.004 +0.000	5.750 +.005 +0.000	5.000 +.000 -.005	5.748 +.000 -.002	5.750 +.004 +0.000	66.11
P375-05.000-625B	5	5-3/4	5/8	.688 +.015 +0.000	5.000 +.000 -.002	5.002 +.004 +0.000	5.750 +.005 +0.000	5.000 +.000 -.005	5.748 +.000 -.002	5.750 +.004 +0.000	54.53
P375-05.250	5-1/4	6	3/8	.413 +.015 +0.000	5.250 +.000 -.002	5.252 +.004 +0.000	6.000 +.005 +0.000	5.250 +.000 -.005	5.998 +.000 -.002	6.000 +.004 +0.000	53.19
P375-05.250-500B	5-1/4	6	1/2	.550 +.015 +0.000	5.250 +.000 -.002	5.252 +.004 +0.000	6.000 +.005 +0.000	5.250 +.000 -.005	5.998 +.000 -.002	6.000 +.004 +0.000	56.80
P375-05.250-500D	5-1/4	6	1/2	.550 +.015 +0.000	5.250 +.000 -.002	5.252 +.004 +0.000	6.000 +.005 +0.000	5.250 +.000 -.005	5.998 +.000 -.002	6.000 +.004 +0.000	56.80
P375-05.250-625B	5-1/4	6	5/8	.688 +.015 +0.000	5.250 +.000 -.002	5.252 +.004 +0.000	6.000 +.005 +0.000	5.250 +.000 -.005	5.998 +.000 -.002	6.000 +.004 +0.000	56.80
P375-05.250-625D	5-1/4	6	5/8	.688 +.015 +0.000	5.250 +.000 -.002	5.252 +.004 +0.000	6.000 +.005 +0.000	5.250 +.000 -.005	5.998 +.000 -.002	6.000 +.004 +0.000	56.80
P375-05.500	5-1/2	6-1/4	3/8	.413 +.015 +0.000	5.500 +.000 -.002	5.502 +.004 +0.000	6.250 +.005 +0.000	5.500 +.000 -.005	6.248 +.000 -.002	6.250 +.004 +0.000	55.14
P375-05.500-625B	5-1/2	6-1/4	5/8	.688 +.015 +0.000	5.500 +.000 -.002	5.502 +.004 +0.000	6.250 +.005 +0.000	5.500 +.000 -.005	6.248 +.000 -.002	6.250 +.004 +0.000	59.05
P375-05.750	5-3/4	6-1/2	3/8	.413 +.015 +0.000	5.750 +.000 -.002	5.752 +.004 +0.000	6.500 +.005 +0.000	5.750 +.000 -.005	6.498 +.000 -.002	6.500 +.004 +0.000	57.34
P375-05.750-625B	5-3/4	6-1/2	5/8	.688 +.015 +0.000	5.750 +.000 -.002	5.752 +.004 +0.000	6.500 +.005 +0.000	5.750 +.000 -.005	6.498 +.000 -.002	6.500 +.004 +0.000	63.90
P375-05.750-625D	5-3/4	6-1/2	5/8	.688 +.015 +0.000	5.750 +.000 -.002	5.752 +.004 +0.000	6.500 +.005 +0.000	5.750 +.000 -.005	6.498 +.000 -.002	6.500 +.004 +0.000	63.90
P375-06.000	6	6-3/4	3/8	.413 +.015 +0.000	6.000 +.000 -.002	6.002 +.004 +0.000	6.750 +.005 +0.000	6.000 +.000 -.005	6.748 +.000 -.002	6.750 +.004 +0.000	62.27
P375-06.000-625B	6	6-3/4	5/8	.688 +.015 +0.000	6.000 +.000 -.002	6.002 +.004 +0.000	6.750 +.005 +0.000	6.000 +.000 -.005	6.748 +.000 -.002	6.750 +.004 +0.000	63.16
P375-06.250	6-1/4	7	3/8	.413 +.015 +0.000	6.250 +.000 -.002	6.252 +.004 +0.000	7.000 +.005 +0.000	6.250 +.000 -.005	6.998 +.000 -.002	7.000 +.004 +0.000	59.73
P375-06.250-500D	6-1/4	7	1/2	.550 +.015 +0.000	6.250 +.000 -.002	6.252 +.004 +0.000	7.000 +.005 +0.000	6.250 +.000 -.005	6.998 +.000 -.002	7.000 +.004 +0.000	64.74
P375-06.250-625B	6-1/4	7	5/8	.688 +.015 +0.000	6.250 +.000 -.002	6.252 +.004 +0.000	7.000 +.005 +0.000	6.250 +.000 -.005	6.998 +.000 -.002	7.000 +.004 +0.000	64.74
P375-06.250-625D	6-1/4	7	5/8	.688 +.015 +0.000	6.250 +.000 -.002	6.252 +.004 +0.000	7.000 +.005 +0.000	6.250 +.000 -.005	6.998 +.000 -.002	7.000 +.004 +0.000	63.50
P375-06.500	6-1/2	7-1/4	3/8	.413 +.015 +0.000	6.500 +.000 -.002	6.502 +.004 +0.000	7.250 +.005 +0.000	6.500 +.000 -.005	7.248 +.000 -.002	7.250 +.004 +0.000	61.87
P375-06.500-625B	6-1/2	7-1/4	5/8	.688 +.015 +0.000	6.500 +.000 -.002	6.502 +.004 +0.000	7.250 +.005 +0.000	6.500 +.000 -.005	7.248 +.000 -.002	7.250 +.004 +0.000	66.96
P375-06.750-625B	6-3/4	7-1/2	5/8	.688 +.015 +0.000	6.750 +.000 -.002	6.752 +.004 +0.000	7.500 +.005 +0.000	6.750 +.000 -.005	7.498 +.000 -.002	7.500 +.004 +0.000	120.81
P375-07.000-625B	7	7-3/4	5/8	.688 +.015 +0.000	7.000 +.000 -.002	7.002 +.004 +0.000	7.750 +.005 +0.000	7.000 +.000 -.005	7.748 +.000 -.002	7.750 +.004 +0.000	71.64
P375-07.250-625B	7-1/4	8	5/8	.688 +.015 +0.000	7.250 +.000 -.002	7.252 +.004 +0.000	8.000 +.005 +0.000	7.250 +.000 -.005	7.998 +.000 -.002	8.000 +.004 +0.000	76.65
P375-07.250-625D	7-1/4	8	5/8	.688 +.015 +0.000	7.250 +.000 -.002	7.252 +.004 +0.000	8.000 +.005 +0.000	7.250 +.000 -.005	7.998 +.000 -.002	8.000 +.004 +0.000	78.16
P375-07.500	7-1/2	8-1/4	3/8	.413 +.015 +0.000	7.500 +.000 -.002	7.502 +.004 +0.000	8.250 +.005 +0.000	7.500 +.000 -.005	8.248 +.000 -.002	8.250 +.004 +0.000	90.27
P375-07.500-625B	7-1/2	8-1/4	5/8	.688 +.015 +0.000	7.500 +.000 -.002	7.502 +.004 +0.000	8.250 +.005 +0.000	7.500 +.000 -.005	8.248 +.000 -.002	8.250 +.004 +0.000	83.72
P375-08.000	8	8-3/4	3/8	.413 +.015 +0.000	8.000 +.000 -.002	8.002 +.004 +0.000	8.750 +.005 +0.000	8.000 +.000 -.005	8.748 +.000 -.002	8.750 +.004 +0.000	87.93
P375-08.250-625B	8-1/4	9	5/8	.688 +.015 +0.000	8.250 +.000 -.002	8.252 +.004 +0.000	9.000 +.005 +0.000	8.250 +.000 -.005	8.998 +.000 -.002	9.000 +.004 +0.000	86.99
P375-08.750	8-3/4	9-1/2	3/8	.413 +.015 +0.000	8.750 +.000 -.002	8.752 +.004 +0.000	9.500 +.005 +0.000	8.750 +.000 -.005	9.498 +.000 -.002	9.500 +.004 +0.000	182.02

STYLE 850 POLYURETHANE U-SEALS

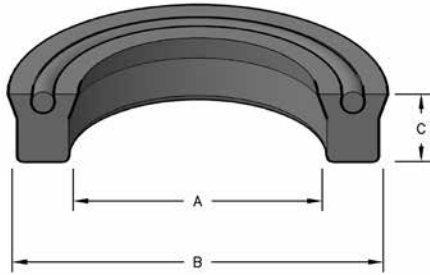


U-SEALS

Part Number	A Nom. ID	B Nom. OD	C Nom. Ht	D GROOVE WIDTH	E ROD DIAMETER	F THROAT DIAMETER	G HOUSING DIAMETER	H GROOVE DIAMETER	I PISTON DIAMETER	J BORE DIAMETER	List Price
P375-09.000-625B	9	9-3/4	5/8	.688 ^{+0.015} / _{+0.000}	9.000 ^{+0.000} / _{-0.002}	9.002 ^{+0.004} / _{+0.000}	9.750 ^{+0.005} / _{+0.000}	9.000 ^{+0.000} / _{-0.005}	9.748 ^{+0.000} / _{-0.002}	9.750 ^{+0.004} / _{+0.000}	171.91
P375-10.500-500B-BHT	10-1/2	11-1/4	1/2	.550 ^{+0.015} / _{+0.000}	10.500 ^{+0.000} / _{-0.002}	10.502 ^{+0.004} / _{+0.000}	11.250 ^{+0.005} / _{+0.000}	10.500 ^{+0.000} / _{-0.005}	11.248 ^{+0.000} / _{-0.002}	11.250 ^{+0.004} / _{+0.000}	394.64
1/2" C/S											
P500-01.500	1-1/2	2-1/2	1/2	.550 ^{+0.015} / _{+0.000}	1.500 ^{+0.000} / _{-0.003}	1.502 ^{+0.005} / _{+0.000}	2.500 ^{+0.007} / _{+0.000}	1.500 ^{+0.000} / _{-0.007}	2.498 ^{+0.000} / _{-0.003}	2.500 ^{+0.005} / _{+0.000}	\$25.86
P500-01.750-750B	1-3/4	2-3/4	3/4	.825 ^{+0.015} / _{+0.000}	1.750 ^{+0.000} / _{-0.003}	1.752 ^{+0.005} / _{+0.000}	2.750 ^{+0.007} / _{+0.000}	1.750 ^{+0.000} / _{-0.007}	2.748 ^{+0.000} / _{-0.003}	2.750 ^{+0.005} / _{+0.000}	34.90
P500-02.000-750B	2	3	3/4	.825 ^{+0.015} / _{+0.000}	2.000 ^{+0.000} / _{-0.003}	2.002 ^{+0.005} / _{+0.000}	3.000 ^{+0.007} / _{+0.000}	2.000 ^{+0.000} / _{-0.007}	2.998 ^{+0.000} / _{-0.003}	3.000 ^{+0.005} / _{+0.000}	34.45
P500-02.500	2-1/2	3-1/2	1/2	.550 ^{+0.015} / _{+0.000}	2.500 ^{+0.000} / _{-0.003}	2.502 ^{+0.005} / _{+0.000}	3.500 ^{+0.007} / _{+0.000}	2.500 ^{+0.000} / _{-0.007}	3.498 ^{+0.000} / _{-0.003}	3.500 ^{+0.005} / _{+0.000}	37.45
P500-02.500-750B	2-1/2	3-1/2	3/4	.825 ^{+0.015} / _{+0.000}	2.500 ^{+0.000} / _{-0.003}	2.502 ^{+0.005} / _{+0.000}	3.500 ^{+0.007} / _{+0.000}	2.500 ^{+0.000} / _{-0.007}	3.498 ^{+0.000} / _{-0.003}	3.500 ^{+0.005} / _{+0.000}	43.20
P500-03.000	3	4	1/2	.550 ^{+0.015} / _{+0.000}	3.000 ^{+0.000} / _{-0.003}	3.002 ^{+0.005} / _{+0.000}	4.000 ^{+0.007} / _{+0.000}	3.000 ^{+0.000} / _{-0.007}	3.998 ^{+0.000} / _{-0.003}	4.000 ^{+0.005} / _{+0.000}	43.69
P500-03.000-750B	3	4	3/4	.825 ^{+0.015} / _{+0.000}	3.000 ^{+0.000} / _{-0.003}	3.002 ^{+0.005} / _{+0.000}	4.000 ^{+0.007} / _{+0.000}	3.000 ^{+0.000} / _{-0.007}	3.998 ^{+0.000} / _{-0.003}	4.000 ^{+0.005} / _{+0.000}	52.37
P500-03.250-750B	3-1/4	4-1/4	3/4	.825 ^{+0.015} / _{+0.000}	3.250 ^{+0.000} / _{-0.003}	3.252 ^{+0.005} / _{+0.000}	4.250 ^{+0.007} / _{+0.000}	3.250 ^{+0.000} / _{-0.007}	4.248 ^{+0.000} / _{-0.003}	4.250 ^{+0.005} / _{+0.000}	69.95
P500-03.500-625	3-1/2	4-1/2	5/8	.688 ^{+0.015} / _{+0.000}	3.500 ^{+0.000} / _{-0.003}	3.502 ^{+0.005} / _{+0.000}	4.500 ^{+0.007} / _{+0.000}	3.500 ^{+0.000} / _{-0.007}	4.498 ^{+0.000} / _{-0.003}	4.500 ^{+0.005} / _{+0.000}	41.05
P500-04.000	4	5	1/2	.550 ^{+0.015} / _{+0.000}	4.000 ^{+0.000} / _{-0.003}	4.002 ^{+0.005} / _{+0.000}	5.000 ^{+0.007} / _{+0.000}	4.000 ^{+0.000} / _{-0.007}	4.998 ^{+0.000} / _{-0.003}	5.000 ^{+0.005} / _{+0.000}	55.98
P500-04.000-750B	4	5	3/4	.825 ^{+0.015} / _{+0.000}	4.000 ^{+0.000} / _{-0.003}	4.002 ^{+0.005} / _{+0.000}	5.000 ^{+0.007} / _{+0.000}	4.000 ^{+0.000} / _{-0.007}	4.998 ^{+0.000} / _{-0.003}	5.000 ^{+0.005} / _{+0.000}	57.64
P500-04.250	4-1/4	5-1/4	1/2	.550 ^{+0.015} / _{+0.000}	4.250 ^{+0.000} / _{-0.003}	4.252 ^{+0.005} / _{+0.000}	5.250 ^{+0.007} / _{+0.000}	4.250 ^{+0.000} / _{-0.007}	5.248 ^{+0.000} / _{-0.003}	5.250 ^{+0.005} / _{+0.000}	61.69
P500-04.500-750B	4-1/2	5-1/2	3/4	.825 ^{+0.015} / _{+0.000}	4.500 ^{+0.000} / _{-0.003}	4.502 ^{+0.005} / _{+0.000}	5.500 ^{+0.007} / _{+0.000}	4.500 ^{+0.000} / _{-0.007}	5.498 ^{+0.000} / _{-0.003}	5.500 ^{+0.005} / _{+0.000}	70.46
P500-05.000	5	6	1/2	.550 ^{+0.015} / _{+0.000}	5.000 ^{+0.000} / _{-0.003}	5.002 ^{+0.005} / _{+0.000}	6.000 ^{+0.007} / _{+0.000}	5.000 ^{+0.000} / _{-0.007}	5.998 ^{+0.000} / _{-0.003}	6.000 ^{+0.005} / _{+0.000}	68.35
P500-05.000-750B	5	6	3/4	.825 ^{+0.015} / _{+0.000}	5.000 ^{+0.000} / _{-0.003}	5.002 ^{+0.005} / _{+0.000}	6.000 ^{+0.007} / _{+0.000}	5.000 ^{+0.000} / _{-0.007}	5.998 ^{+0.000} / _{-0.003}	6.000 ^{+0.005} / _{+0.000}	112.12
P500-05.500-750B	5-1/2	6-1/2	3/4	.825 ^{+0.015} / _{+0.000}	5.500 ^{+0.000} / _{-0.003}	5.502 ^{+0.005} / _{+0.000}	6.500 ^{+0.007} / _{+0.000}	5.500 ^{+0.000} / _{-0.007}	6.498 ^{+0.000} / _{-0.003}	6.500 ^{+0.005} / _{+0.000}	123.20
P500-06.000	6	7	1/2	.550 ^{+0.015} / _{+0.000}	6.000 ^{+0.000} / _{-0.003}	6.002 ^{+0.005} / _{+0.000}	7.000 ^{+0.007} / _{+0.000}	6.000 ^{+0.000} / _{-0.007}	6.998 ^{+0.000} / _{-0.003}	7.000 ^{+0.005} / _{+0.000}	82.20
P500-06.000-750B	6	7	3/4	.825 ^{+0.015} / _{+0.000}	6.000 ^{+0.000} / _{-0.003}	6.002 ^{+0.005} / _{+0.000}	7.000 ^{+0.007} / _{+0.000}	6.000 ^{+0.000} / _{-0.007}	6.998 ^{+0.000} / _{-0.003}	7.000 ^{+0.005} / _{+0.000}	86.78
P500-07.000	7	8	1/2	.550 ^{+0.015} / _{+0.000}	7.000 ^{+0.000} / _{-0.003}	7.002 ^{+0.005} / _{+0.000}	8.000 ^{+0.007} / _{+0.000}	7.000 ^{+0.000} / _{-0.007}	7.998 ^{+0.000} / _{-0.003}	8.000 ^{+0.005} / _{+0.000}	87.29
P500-07.000-750B	7	8	3/4	.825 ^{+0.015} / _{+0.000}	7.000 ^{+0.000} / _{-0.003}	7.002 ^{+0.005} / _{+0.000}	8.000 ^{+0.007} / _{+0.000}	7.000 ^{+0.000} / _{-0.007}	7.998 ^{+0.000} / _{-0.003}	8.000 ^{+0.005} / _{+0.000}	90.74
P500-07.000-750D	7	8	3/4	.825 ^{+0.015} / _{+0.000}	7.000 ^{+0.000} / _{-0.003}	7.002 ^{+0.005} / _{+0.000}	8.000 ^{+0.007} / _{+0.000}	7.000 ^{+0.000} / _{-0.007}	7.998 ^{+0.000} / _{-0.003}	8.000 ^{+0.005} / _{+0.000}	90.74
P500-08.000	8	9	1/2	.550 ^{+0.015} / _{+0.000}	8.000 ^{+0.000} / _{-0.003}	8.002 ^{+0.005} / _{+0.000}	9.000 ^{+0.007} / _{+0.000}	8.000 ^{+0.000} / _{-0.007}	8.998 ^{+0.000} / _{-0.003}	9.000 ^{+0.005} / _{+0.000}	100.40
P500-08.000-750B	8	9	3/4	.825 ^{+0.015} / _{+0.000}	8.000 ^{+0.000} / _{-0.003}	8.002 ^{+0.005} / _{+0.000}	9.000 ^{+0.007} / _{+0.000}	8.000 ^{+0.000} / _{-0.007}	8.998 ^{+0.000} / _{-0.003}	9.000 ^{+0.005} / _{+0.000}	103.21
P500-09.000	9	10	1/2	.550 ^{+0.015} / _{+0.000}	9.000 ^{+0.000} / _{-0.003}	9.002 ^{+0.005} / _{+0.000}	10.000 ^{+0.007} / _{+0.000}	9.000 ^{+0.000} / _{-0.007}	9.998 ^{+0.000} / _{-0.003}	10.000 ^{+0.005} / _{+0.000}	104.62
5/8" C/S											
P625-02.750	2-3/4	4	5/8	.688 ^{+0.015} / _{+0.000}	2.750 ^{+0.000} / _{-0.003}	2.753 ^{+0.006} / _{+0.000}	4.000 ^{+0.009} / _{+0.000}	2.750 ^{+0.000} / _{-0.009}	3.997 ^{+0.000} / _{-0.003}	4.000 ^{+0.006} / _{+0.000}	\$48.82
P625-03.250	3-1/4	4-1/2	5/8	.688 ^{+0.015} / _{+0.000}	3.250 ^{+0.000} / _{-0.003}	3.253 ^{+0.006} / _{+0.000}	4.500 ^{+0.009} / _{+0.000}	3.250 ^{+0.000} / _{-0.009}	4.497 ^{+0.000} / _{-0.003}	4.500 ^{+0.006} / _{+0.000}	56.65
P625-04.750	4-3/4	6	5/8	.688 ^{+0.015} / _{+0.000}	4.750 ^{+0.000} / _{-0.003}	4.753 ^{+0.006} / _{+0.000}	6.000 ^{+0.009} / _{+0.000}	4.750 ^{+0.000} / _{-0.009}	5.997 ^{+0.000} / _{-0.003}	6.000 ^{+0.006} / _{+0.000}	79.74

STYLE 850 FLUOROCARBON U-SEALS

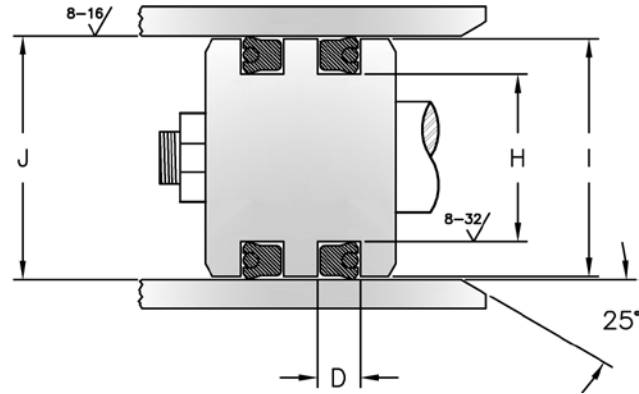
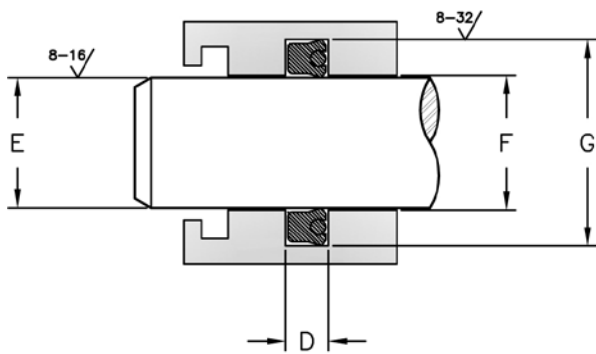
Utilizing the same profiles as the Style 850 Polyurethane U-Seals, these u-seals are molded from a fluorocarbon compound. While being compatible with a broader range of fluids, these fluorocarbon seals will also operate continuously at temperatures from -20° to +400° F. **NOTE:** If you are not sure of fluid/seal compatibility, please refer to the fluid compatibility chart in the appendix or contact our Engineering Department.



HERCULES PART NUMBERS

P 125 - 00.625 - 187BV
 Type of Seal Cross Section Inside Diameter Height

SEAL INFORMATION	
MATERIAL	90A FLUOROCARBON
TEMPERATURE RANGE	-20° TO +400° F
PRESSURE RANGE	0 TO 2,000 PSI
SPEED	3 FT/SEC



Standard -
 Height and cross section are equal, thus giving a square seal. Utilizes type "D" lip
 Typical Part Number P250-00.750V



Deep -
 Utilizes the same "D" lip, but the seal height is greater than the cross section, thus giving a rectangular shape.
 Typical Part Number P250-03.500-312DV



Type B -
 Same dimensions as the Deep seal. Beveled lip design provides better film breaking. Utilizes type "B" lip.
 Typical Part Number P250-03.500-312BV

Part Number	A Nom. ID	B Nom. OD	C Nom. Ht	D GROOVE WIDTH	E ROD DIAMETER	F THROAT DIAMETER	G HOUSING DIAMETER	H GROOVE DIAMETER	I PISTON DIAMETER	J BORE DIAMETER	List Price
1/8" C/S											
P125-00.500V	1/2	3/4	1/8	.138 ^{+0.015} / _{+0.000}	.500 ^{+0.000} / _{-0.001}	.501 ^{+0.002} / _{+0.000}	.750 ^{+0.002} / _{+0.000}	.500 ^{+0.000} / _{-0.002}	.749 ^{+0.000} / _{-0.001}	.750 ^{+0.002} / _{+0.000}	\$98.63
P125-00.625-SQBV	5/8	7/8	1/8	.138 ^{+0.015} / _{+0.000}	.625 ^{+0.000} / _{-0.001}	.626 ^{+0.002} / _{+0.000}	.875 ^{+0.002} / _{+0.000}	.625 ^{+0.000} / _{-0.002}	.874 ^{+0.000} / _{-0.001}	.875 ^{+0.002} / _{+0.000}	42.26
5/32" C/S											
P156-01.000-SQBV	1	1-5/16	5/32	.172 ^{+0.015} / _{+0.000}	1.000 ^{+0.000} / _{-0.002}	1.001 ^{+0.002} / _{+0.000}	1.313 ^{+0.002} / _{+0.000}	1.000 ^{+0.000} / _{-0.002}	1.311 ^{+0.000} / _{-0.001}	1.313 ^{+0.002} / _{+0.000}	\$54.40
P156-01.375-SQBV	1-3/8	1-11/16	5/32	.172 ^{+0.015} / _{+0.000}	1.375 ^{+0.000} / _{-0.002}	1.376 ^{+0.002} / _{+0.000}	1.688 ^{+0.002} / _{+0.000}	1.375 ^{+0.000} / _{-0.002}	1.686 ^{+0.000} / _{-0.001}	1.688 ^{+0.002} / _{+0.000}	63.17
3/16" C/S											
P187-01.750-SQBV	1-3/4	2-1/8	3/16	.207 ^{+0.015} / _{+0.000}	1.750 ^{+0.000} / _{-0.002}	1.751 ^{+0.002} / _{+0.000}	2.125 ^{+0.002} / _{+0.000}	1.750 ^{+0.000} / _{-0.002}	2.124 ^{+0.000} / _{-0.002}	2.125 ^{+0.002} / _{+0.000}	\$68.56
P187-02.000-SQBV	2	2-3/8	3/16	.207 ^{+0.015} / _{+0.000}	2.000 ^{+0.000} / _{-0.002}	2.001 ^{+0.002} / _{+0.000}	2.375 ^{+0.002} / _{+0.000}	2.000 ^{+0.000} / _{-0.002}	2.374 ^{+0.000} / _{-0.002}	2.375 ^{+0.002} / _{+0.000}	72.28
7/32" C/S											

STYLE 850 FLUOROCARBON U-SEALS



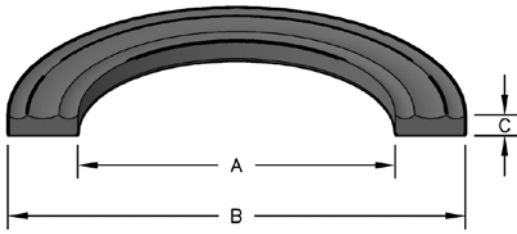
U-SEALS

Part Number	A Nom. ID	B Nom. OD	C Nom. Ht	D GROOVE WIDTH	E ROD DIAMETER	F THROAT DIAMETER	G HOUSING DIAMETER	H GROOVE DIAMETER	I PISTON DIAMETER	J BORE DIAMETER	List Price
P218-02.500-SQBV	2-1/2	2-15/16	7/32	.241 ^{+0.015} / _{+0.000}	2.500 ^{+0.000} / _{-0.002}	2.501 ^{+0.003} / _{+0.000}	2.938 ^{+0.002} / _{+0.000}	2.500 ^{+0.000} / _{-0.002}	2.936 ^{+0.000} / _{-0.003}	2.938 ^{+0.002} / _{+0.000}	\$110.95
P218-03.000-SQBV	3	3-7/16	7/32	.241 ^{+0.015} / _{+0.000}	3.000 ^{+0.000} / _{-0.002}	3.001 ^{+0.003} / _{+0.000}	3.438 ^{+0.002} / _{+0.000}	3.000 ^{+0.000} / _{-0.002}	3.436 ^{+0.000} / _{-0.003}	3.438 ^{+0.002} / _{+0.000}	126.95
1/4" C/S											
P250-00.750V	3/4	1-1/4	1/4	.275 ^{+0.015} / _{+0.000}	.750 ^{+0.000} / _{-0.002}	.751 ^{+0.002} / _{+0.000}	1.250 ^{+0.003} / _{+0.000}	.750 ^{+0.000} / _{-0.003}	1.249 ^{+0.000} / _{-0.001}	1.250 ^{+0.003} / _{+0.000}	\$62.61
P250-03.500-SQBV	3-1/2	4	1/4	.275 ^{+0.015} / _{+0.000}	3.500 ^{+0.000} / _{-0.002}	3.501 ^{+0.003} / _{+0.000}	4.000 ^{+0.003} / _{+0.000}	3.500 ^{+0.000} / _{-0.003}	3.999 ^{+0.000} / _{-0.002}	4.000 ^{+0.003} / _{+0.000}	146.54
P250-03.500-312BV	3-1/2	4	5/16	.344 ^{+0.015} / _{+0.000}	3.500 ^{+0.000} / _{-0.002}	3.501 ^{+0.003} / _{+0.000}	4.000 ^{+0.003} / _{+0.000}	3.500 ^{+0.000} / _{-0.003}	3.999 ^{+0.000} / _{-0.002}	4.000 ^{+0.003} / _{+0.000}	160.40
P250-04.000-SQBV	4	4-1/2	1/4	.275 ^{+0.015} / _{+0.000}	4.000 ^{+0.000} / _{-0.002}	4.001 ^{+0.003} / _{+0.000}	4.500 ^{+0.003} / _{+0.000}	4.000 ^{+0.000} / _{-0.003}	4.499 ^{+0.000} / _{-0.002}	4.500 ^{+0.003} / _{+0.000}	164.82
P250-04.000-312BV	4	4-1/2	5/16	.344 ^{+0.015} / _{+0.000}	4.000 ^{+0.000} / _{-0.002}	4.001 ^{+0.003} / _{+0.000}	4.500 ^{+0.003} / _{+0.000}	4.000 ^{+0.000} / _{-0.003}	4.499 ^{+0.000} / _{-0.002}	4.500 ^{+0.003} / _{+0.000}	180.50
P250-04.500-SQBV	4-1/2	5	1/4	.275 ^{+0.015} / _{+0.000}	4.500 ^{+0.000} / _{-0.002}	4.501 ^{+0.003} / _{+0.000}	5.000 ^{+0.003} / _{+0.000}	4.500 ^{+0.000} / _{-0.003}	4.999 ^{+0.000} / _{-0.002}	5.000 ^{+0.003} / _{+0.000}	194.73
P250-04.500-312BV	4-1/2	5	5/16	.344 ^{+0.015} / _{+0.000}	4.500 ^{+0.000} / _{-0.002}	4.501 ^{+0.003} / _{+0.000}	5.000 ^{+0.003} / _{+0.000}	4.500 ^{+0.000} / _{-0.003}	4.999 ^{+0.000} / _{-0.002}	5.000 ^{+0.003} / _{+0.000}	220.66
9/32" C/S											
P281-05.000-SQBV	5	5-9/16	9/32	.310 ^{+0.015} / _{+0.000}	5.000 ^{+0.000} / _{-0.002}	5.001 ^{+0.003} / _{+0.000}	5.563 ^{+0.003} / _{+0.000}	5.000 ^{+0.000} / _{-0.003}	5.561 ^{+0.000} / _{-0.002}	5.563 ^{+0.003} / _{+0.000}	\$193.06
P281-05.000-343BV	5	5-9/16	11/32	.379 ^{+0.015} / _{+0.000}	5.000 ^{+0.000} / _{-0.002}	5.001 ^{+0.003} / _{+0.000}	5.563 ^{+0.003} / _{+0.000}	5.000 ^{+0.000} / _{-0.003}	5.561 ^{+0.000} / _{-0.002}	5.563 ^{+0.003} / _{+0.000}	211.43
5/16" C/S											
P312-05.500-SQBV	5-1/2	6-1/8	5/16	.344 ^{+0.015} / _{+0.000}	5.500 ^{+0.000} / _{-0.002}	5.502 ^{+0.003} / _{+0.000}	6.125 ^{+0.004} / _{+0.000}	5.500 ^{+0.000} / _{-0.004}	6.123 ^{+0.000} / _{-0.002}	6.125 ^{+0.003} / _{+0.000}	\$264.19
P312-05.500-375BV	5-1/2	6-1/8	3/8	.413 ^{+0.015} / _{+0.000}	5.500 ^{+0.000} / _{-0.002}	5.502 ^{+0.003} / _{+0.000}	6.125 ^{+0.004} / _{+0.000}	5.500 ^{+0.000} / _{-0.004}	6.123 ^{+0.000} / _{-0.002}	6.125 ^{+0.003} / _{+0.000}	287.23

Seal color may vary. Special order sizes are available. Sizes not shown and out of stock items can also be ordered for next day delivery through Seals On Demand, our custom seal program. Please call your regional sales team for assistance.

STYLE 855 PRC RINGS

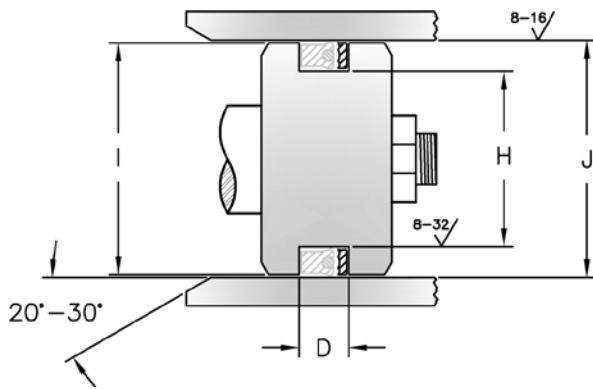
Used as a companion to our "B" lip configured Style 850 u-seal, Style 855 PRC rings convert a uni-directional u-seal into a bi-directional seal. **NOTE:** Height dimension is the increase in groove width required.



HERCULES PART NUMBERS

PRC 125 - 01.000
 Type of Seal | Cross Section | Inside Diameter

SEAL INFORMATION	
MATERIAL	95A URETHANE
TEMPERATURE RANGE	-40° TO +200° F
PRESSURE RANGE	0 TO 5,000 PSI
SPEED	3 FT/SEC



Part Number	A Nom. ID	B Nom. OD	C Nom. Ht	H GROOVE DIAMETER	I PISTON DIAMETER	J BORE DIAMETER	List Price
1/8" C/S							
PRC125-01.000	1	1-1/4	.065	1.000 ^{+0.000} / _{-.002}	1.249 ^{+0.000} / _{-.001}	1.250 ^{+0.002} / _{+0.000}	\$9.06
PRC125-01.250	1-1/4	1-1/2	.065	1.250 ^{+0.000} / _{-.002}	1.499 ^{+0.000} / _{-.001}	1.500 ^{+0.002} / _{+0.000}	9.81
3/16" C/S							
PRC187-01.125	1-1/8	1-1/2	.11	1.125 ^{+0.000} / _{-.002}	1.499 ^{+0.000} / _{-.002}	1.500 ^{+0.002} / _{+0.000}	\$9.68
PRC187-01.375	1-3/8	1-3/4	.11	1.375 ^{+0.000} / _{-.002}	1.749 ^{+0.000} / _{-.002}	1.750 ^{+0.002} / _{+0.000}	10.68
PRC187-01.500	1-1/2	1-7/8	.11	1.500 ^{+0.000} / _{-.002}	1.874 ^{+0.000} / _{-.002}	1.875 ^{+0.002} / _{+0.000}	11.68
PRC187-01.625	1-5/8	2	.11	1.625 ^{+0.000} / _{-.002}	1.999 ^{+0.000} / _{-.002}	2.000 ^{+0.002} / _{+0.000}	11.37
PRC187-01.750	1-3/4	2-1/8	.11	1.750 ^{+0.000} / _{-.002}	2.124 ^{+0.000} / _{-.002}	2.125 ^{+0.002} / _{+0.000}	12.31
PRC187-02.375	2-3/8	2-3/4	.11	2.375 ^{+0.000} / _{-.002}	2.749 ^{+0.000} / _{-.002}	2.750 ^{+0.002} / _{+0.000}	16.55
PRC187-02.625	2-5/8	3	.11	2.625 ^{+0.000} / _{-.002}	2.999 ^{+0.000} / _{-.002}	3.000 ^{+0.002} / _{+0.000}	13.89
PRC187-03.000	3	3-3/8	.11	3.000 ^{+0.000} / _{-.002}	3.374 ^{+0.000} / _{-.002}	3.375 ^{+0.002} / _{+0.000}	16.27
PRC187-03.125	3-1/8	3-1/2	.11	3.125 ^{+0.000} / _{-.002}	3.499 ^{+0.000} / _{-.002}	3.500 ^{+0.002} / _{+0.000}	16.29
PRC187-03.625	3-5/8	4	.11	3.625 ^{+0.000} / _{-.002}	3.999 ^{+0.000} / _{-.002}	4.000 ^{+0.002} / _{+0.000}	20.07
1/4" C/S							

STYLE 855 PRC RINGS

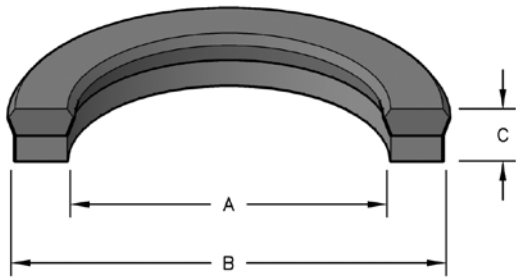


U-SEALS

Part Number	A Nom. ID	B Nom. OD	C Nom. Ht	H GROOVE DIAMETER	I PISTON DIAMETER	J BORE DIAMETER	List Price
PRC250-01.000	1	1-1/2	.137	1.000 ^{+0.00} _{-.003}	1.499 ^{+0.00} _{-.002}	1.500 ^{+0.03} _{+.000}	\$10.45
PRC250-01.500	1-1/2	2	.137	1.500 ^{+0.00} _{-.003}	1.999 ^{+0.00} _{-.002}	2.000 ^{+0.03} _{+.000}	12.59
PRC250-01.750	1-3/4	2-1/4	.137	1.750 ^{+0.00} _{-.003}	2.249 ^{+0.00} _{-.002}	2.250 ^{+0.03} _{+.000}	14.78
PRC250-02.000	2	2-1/2	.137	2.000 ^{+0.00} _{-.003}	2.499 ^{+0.00} _{-.002}	2.500 ^{+0.03} _{+.000}	15.45
PRC250-02.250	2-1/4	2-3/4	.137	2.250 ^{+0.00} _{-.003}	2.749 ^{+0.00} _{-.002}	2.750 ^{+0.03} _{+.000}	17.97
PRC250-02.500	2-1/2	3	.137	2.500 ^{+0.00} _{-.003}	2.999 ^{+0.00} _{-.002}	3.000 ^{+0.03} _{+.000}	18.57
PRC250-02.750	2-3/4	3-1/4	.137	2.750 ^{+0.00} _{-.003}	3.249 ^{+0.00} _{-.002}	3.250 ^{+0.03} _{+.000}	19.47
PRC250-03.000	3	3-1/2	.137	3.000 ^{+0.00} _{-.003}	3.499 ^{+0.00} _{-.002}	3.500 ^{+0.03} _{+.000}	21.62
PRC250-03.250	3-1/4	3-3/4	.137	3.250 ^{+0.00} _{-.003}	3.749 ^{+0.00} _{-.002}	3.750 ^{+0.03} _{+.000}	24.48
PRC250-03.500	3-1/2	4	.137	3.500 ^{+0.00} _{-.003}	3.999 ^{+0.00} _{-.002}	4.000 ^{+0.03} _{+.000}	24.89
PRC250-04.000	4	4-1/2	.137	4.000 ^{+0.00} _{-.003}	4.499 ^{+0.00} _{-.002}	4.500 ^{+0.03} _{+.000}	28.01
PRC250-04.250	4-1/4	4-3/4	.137	4.250 ^{+0.00} _{-.003}	4.749 ^{+0.00} _{-.002}	4.750 ^{+0.03} _{+.000}	31.38
PRC250-04.500	4-1/2	5	.137	4.500 ^{+0.00} _{-.003}	4.999 ^{+0.00} _{-.002}	5.000 ^{+0.03} _{+.000}	31.11
PRC250-05.000	5	5-1/2	.137	5.000 ^{+0.00} _{-.003}	5.499 ^{+0.00} _{-.002}	5.500 ^{+0.03} _{+.000}	34.20
PRC250-05.500	5-1/2	6	.137	5.500 ^{+0.00} _{-.003}	5.999 ^{+0.00} _{-.002}	6.000 ^{+0.03} _{+.000}	50.23
PRC250-06.000	6	6-1/2	.137	6.000 ^{+0.00} _{-.003}	6.499 ^{+0.00} _{-.002}	6.500 ^{+0.03} _{+.000}	50.90
PRC250-06.500	6-1/2	7	.137	6.500 ^{+0.00} _{-.003}	6.999 ^{+0.00} _{-.002}	7.000 ^{+0.03} _{+.000}	64.92
5/16" C/S							
PRC312-02.375	2-3/8	3	.165	2.375 ^{+0.00} _{-.004}	2.998 ^{+0.00} _{-.002}	3.000 ^{+0.03} _{+.000}	\$21.28
PRC312-03.375	3-3/8	4	.165	3.375 ^{+0.00} _{-.004}	3.998 ^{+0.00} _{-.002}	4.000 ^{+0.03} _{+.000}	28.87
PRC312-04.375	4-3/8	5	.165	4.375 ^{+0.00} _{-.004}	4.998 ^{+0.00} _{-.002}	5.000 ^{+0.03} _{+.000}	37.24
3/8" C/S							
PRC375-02.750	2-3/4	3-1/2	.207	2.750 ^{+0.00} _{-.005}	3.498 ^{+0.00} _{-.002}	3.500 ^{+0.04} _{+.000}	\$30.22
PRC375-03.250	3-1/4	4	.207	3.250 ^{+0.00} _{-.005}	3.998 ^{+0.00} _{-.002}	4.000 ^{+0.04} _{+.000}	38.32
PRC375-03.750	3-3/4	4-1/2	.207	3.750 ^{+0.00} _{-.005}	4.498 ^{+0.00} _{-.002}	4.500 ^{+0.04} _{+.000}	43.39
PRC375-04.250	4-1/4	5	.207	4.250 ^{+0.00} _{-.005}	4.998 ^{+0.00} _{-.002}	5.000 ^{+0.04} _{+.000}	49.01
PRC375-05.250	5-1/4	6	.207	5.250 ^{+0.00} _{-.005}	5.998 ^{+0.00} _{-.002}	6.000 ^{+0.04} _{+.000}	59.51
PRC375-05.500	5-1/2	6-1/4	.207	5.500 ^{+0.00} _{-.005}	6.248 ^{+0.00} _{-.002}	6.250 ^{+0.04} _{+.000}	61.66
PRC375-06.250	6-1/4	7	.207	6.250 ^{+0.00} _{-.005}	6.998 ^{+0.00} _{-.002}	7.000 ^{+0.04} _{+.000}	66.84
PRC375-07.250	7-1/4	8	.207	7.250 ^{+0.00} _{-.005}	7.998 ^{+0.00} _{-.002}	8.000 ^{+0.04} _{+.000}	79.84
1/2" C/S							
PRC500-08.000	8	9	.275	8.000 ^{+0.00} _{-.007}	8.998 ^{+0.00} _{-.003}	9.000 ^{+0.05} _{+.000}	\$111.02
PRC500-09.000	9	10	.275	9.000 ^{+0.00} _{-.007}	9.998 ^{+0.00} _{-.003}	10.000 ^{+0.05} _{+.000}	123.66

STYLE UFN-P SYMMETRICAL PLAIN SEALS

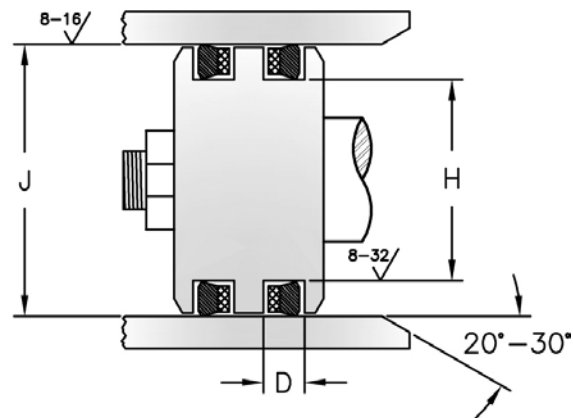
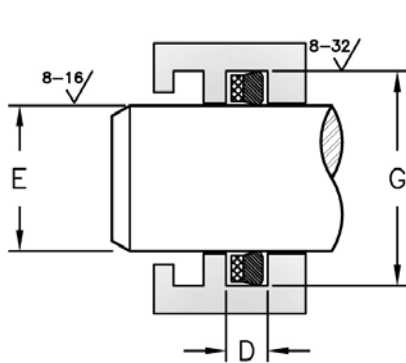
Incorporating a rubber seal lip and a rubberized fabric heel, this seal provides excellent sealability and high strength.



HERCULES PART NUMBERS

UFN 12 - 0.50 - 18P
 Type of Seal Cross Section Inside Diameter Height

SEAL INFORMATION	
MATERIAL	RUBBER & FABRIC
TEMPERATURE RANGE	-22° TO +212° F
PRESSURE RANGE	0 TO 2,900 PSI
SPEED	1.5 FT/SEC



Part Number	A Nom. ID	B Nom. OD	C Nom. Ht	D GROOVE WIDTH	E ROD DIAMETER	G HOUSING DIAMETER	H GROOVE DIAMETER	J BORE DIAMETER	List Price
1/8" C/S									
UFN12-0.50-18P	1/2	3/4	3/16	.202 +0.010 +0.000	.500 -0.001 -0.002	.750 ±.003	.500 ±.002	.750 +0.003 +0.000	\$8.39
UFN12-0.62-18P	5/8	7/8	3/16	.202 +0.010 +0.000	.625 -0.001 -0.002	.875 ±.003	.625 ±.002	.875 +0.003 +0.000	8.39
UFN12-0.75-18P	3/4	1	3/16	.202 +0.010 +0.000	.750 -0.001 -0.002	1.000 ±.003	.750 ±.003	1.000 +0.003 +0.000	8.39
UFN12-0.87-15P	7/8	1-1/8	5/32	.171 +0.010 +0.000	.875 -0.001 -0.002	1.125 ±.003	.875 ±.003	1.125 +0.003 +0.000	8.80
UFN12-1.00-18P	1	1-1/4	3/16	.202 +0.010 +0.000	1.000 -0.001 -0.002	1.250 ±.003	1.000 ±.003	1.250 +0.004 +0.000	9.23
UFN12-1.12-18P	1-1/8	1-3/8	3/16	.202 +0.010 +0.000	1.125 -0.001 -0.002	1.375 ±.003	1.125 ±.003	1.375 +0.004 +0.000	9.23
UFN12-1.50-18P	1-1/2	1-3/4	3/16	.202 +0.010 +0.000	1.500 -0.001 -0.003	1.750 ±.003	1.500 ±.003	1.750 +0.004 +0.000	13.76
5/32" C/S									
UFN16-0.18-25P	3/16	1/2	1/4	.265 +0.010 +0.000	.187 +0.000 -0.001	.500 ±.002	.187 ±.001	.500 +0.003 +0.000	\$16.33
UFN15-0.25-25P	1/4	9/16	1/4	.265 +0.010 +0.000	.250 -0.001 -0.001	.563 ±.002	.250 ±.002	.563 +0.003 +0.000	9.88
UFN15-0.31-25P	5/16	5/8	1/4	.265 +0.010 +0.000	.312 -0.001 -0.001	.625 ±.002	.312 ±.002	.625 +0.003 +0.000	8.39
3/16" C/S									
UFN18-0.50-28P	1/2	7/8	9/32	.296 +0.010 +0.000	.500 -0.001 -0.002	.875 ±.003	.500 ±.002	.875 +0.003 +0.000	\$8.39

STYLE UFN-P SYMMETRICAL PLAIN SEALS



U-SEALS

Part Number	A Nom. ID	B Nom. OD	C Nom. Ht	D GROOVE WIDTH	E ROD DIAMETER	G HOUSING DIAMETER	H GROOVE DIAMETER	J BORE DIAMETER	List Price
UFN18-0.62-28P	5/8	1	9/32	.296 ^{+0.010} / _{+0.000}	.625 ^{-0.001} / _{-0.002}	1.000 ±.003	.625 ±.002	1.000 ^{+0.003} / _{+0.000}	8.39
UFN18-0.87-37P	7/8	1-1/4	3/8	.390 ^{+0.010} / _{+0.000}	.875 ^{-0.001} / _{-0.002}	1.250 ±.003	.875 ±.003	1.250 ^{+0.004} / _{+0.000}	11.84
UFN18-1.00-25P	1	1-3/8	1/4	.265 ^{+0.010} / _{+0.000}	1.000 ^{-0.001} / _{-0.002}	1.375 ±.003	1.000 ±.003	1.375 ^{+0.004} / _{+0.000}	9.46
UFN18-1.37-28P	1-3/8	1-3/4	9/32	.296 ^{+0.010} / _{+0.000}	1.375 ^{-0.001} / _{-0.003}	1.750 ±.003	1.375 ±.003	1.750 ^{+0.004} / _{+0.000}	10.11
UFN18-1.50-17P	1-1/2	1-7/8	11/64	.187 ^{+0.010} / _{+0.000}	1.500 ^{-0.001} / _{-0.003}	1.875 ±.003	1.500 ±.003	1.875 ^{+0.004} / _{+0.000}	11.17
UFN18-1.50-25P	1-1/2	1-7/8	1/4	.265 ^{+0.010} / _{+0.000}	1.500 ^{-0.001} / _{-0.003}	1.875 ±.003	1.500 ±.003	1.875 ^{+0.004} / _{+0.000}	10.53
UFN18-1.75-17P	1-3/4	2-1/8	11/64	.187 ^{+0.010} / _{+0.000}	1.750 ^{-0.001} / _{-0.003}	2.125 ±.004	1.750 ±.003	2.125 ^{+0.005} / _{+0.000}	13.49
UFN18-1.75-28P	1-3/4	2-1/8	9/32	.296 ^{+0.010} / _{+0.000}	1.750 ^{-0.001} / _{-0.003}	2.125 ±.004	1.750 ±.003	2.125 ^{+0.005} / _{+0.000}	12.47
UFN18-2.25-25P	2-1/4	2-5/8	1/4	.265 ^{+0.010} / _{+0.000}	2.250 ^{-0.001} / _{-0.003}	2.625 ±.004	2.250 ±.004	2.625 ^{+0.005} / _{+0.000}	29.15
UFN18-3.00-31P	3	3-3/8	5/16	.327 ^{+0.010} / _{+0.000}	3.000 ^{-0.001} / _{-0.003}	3.375 ±.004	3.000 ±.004	3.375 ^{+0.006} / _{+0.000}	21.48
1/4" C/S									
UFN25-0.62-37P	5/8	1-1/8	3/8	.390 ^{+0.010} / _{+0.000}	.625 ^{-0.001} / _{-0.002}	1.125 ±.003	.625 ±.002	1.125 ^{+0.003} / _{+0.000}	\$10.75
UFN25-0.75-31P	3/4	1-1/4	5/16	.327 ^{+0.010} / _{+0.000}	.750 ^{-0.001} / _{-0.002}	1.250 ±.003	.750 ±.003	1.250 ^{+0.004} / _{+0.000}	9.23
UFN25-0.87-37P	7/8	1-3/8	3/8	.390 ^{+0.010} / _{+0.000}	.875 ^{-0.001} / _{-0.002}	1.375 ±.003	.875 ±.003	1.375 ^{+0.004} / _{+0.000}	9.46
UFN25-1.12-37P	1-1/8	1-5/8	3/8	.390 ^{+0.010} / _{+0.000}	1.125 ^{-0.001} / _{-0.002}	1.625 ±.003	1.125 ±.003	1.625 ^{+0.004} / _{+0.000}	11.17
UFN25-1.25-37P	1-1/4	1-3/4	3/8	.390 ^{+0.010} / _{+0.000}	1.250 ^{-0.001} / _{-0.003}	1.750 ±.003	1.250 ±.003	1.750 ^{+0.004} / _{+0.000}	10.10
UFN25-1.50-28P	1-1/2	2	9/32	.296 ^{+0.010} / _{+0.000}	1.500 ^{-0.001} / _{-0.003}	2.000 ±.004	1.500 ±.003	2.000 ^{+0.005} / _{+0.000}	11.71
UFN25-1.50-37P	1-1/2	2	3/8	.390 ^{+0.010} / _{+0.000}	1.500 ^{-0.001} / _{-0.003}	2.000 ±.004	1.500 ±.003	2.000 ^{+0.005} / _{+0.000}	11.38
UFN25-1.75-37P	1-3/4	2-1/4	3/8	.390 ^{+0.010} / _{+0.000}	1.750 ^{-0.001} / _{-0.003}	2.250 ±.004	1.750 ±.003	2.250 ^{+0.005} / _{+0.000}	13.49
UFN25-2.00-31P	2	2-1/2	5/16	.327 ^{+0.010} / _{+0.000}	2.000 ^{-0.001} / _{-0.003}	2.500 ±.004	2.000 ±.004	2.500 ^{+0.005} / _{+0.000}	17.19
UFN25-2.00-37P	2	2-1/2	3/8	.390 ^{+0.010} / _{+0.000}	2.000 ^{-0.001} / _{-0.003}	2.500 ±.004	2.000 ±.004	2.500 ^{+0.005} / _{+0.000}	15.69
UFN25-3.00-37P	3	3-1/2	3/8	.390 ^{+0.010} / _{+0.000}	3.000 ^{-0.001} / _{-0.003}	3.500 ±.004	3.000 ±.004	3.500 ^{+0.006} / _{+0.000}	20.20
5/16" C/S									
UFN31-0.87-37P	7/8	1-1/2	3/8	.390 ^{+0.010} / _{+0.000}	.875 ^{-0.001} / _{-0.002}	1.500 ±.003	.875 ±.003	1.500 ^{+0.004} / _{+0.000}	\$13.49
UFN31-1.12-43P	1-1/8	1-3/4	7/16	.452 ^{+0.010} / _{+0.000}	1.125 ^{-0.001} / _{-0.002}	1.750 ±.003	1.125 ±.003	1.750 ^{+0.004} / _{+0.000}	10.10
UFN31-1.25-43P	1-1/4	1-7/8	7/16	.452 ^{+0.010} / _{+0.000}	1.250 ^{-0.001} / _{-0.003}	1.875 ±.003	1.250 ±.003	1.875 ^{+0.004} / _{+0.000}	10.31
UFN31-1.37-37P	1-3/8	2	3/8	.390 ^{+0.010} / _{+0.000}	1.375 ^{-0.001} / _{-0.003}	2.000 ±.004	1.375 ±.003	2.000 ^{+0.005} / _{+0.000}	11.84
UFN31-1.37-43P	1-3/8	2	7/16	.452 ^{+0.010} / _{+0.000}	1.375 ^{-0.001} / _{-0.003}	2.000 ±.004	1.375 ±.003	2.000 ^{+0.005} / _{+0.000}	11.38
UFN31-1.50-31P	1-1/2	2-1/8	5/16	.327 ^{+0.010} / _{+0.000}	1.500 ^{-0.001} / _{-0.003}	2.125 ±.004	1.500 ±.003	2.125 ^{+0.005} / _{+0.000}	19.37
UFN31-1.62-43P	1-5/8	2-1/4	7/16	.452 ^{+0.010} / _{+0.000}	1.625 ^{-0.001} / _{-0.003}	2.250 ±.004	1.625 ±.003	2.250 ^{+0.005} / _{+0.000}	15.69
UFN31-1.75-43P	1-3/4	2-3/8	7/16	.452 ^{+0.010} / _{+0.000}	1.750 ^{-0.001} / _{-0.003}	2.375 ±.004	1.750 ±.003	2.375 ^{+0.005} / _{+0.000}	14.35
UFN31-1.87-37P	1-7/8	2-1/2	3/8	.390 ^{+0.010} / _{+0.000}	1.875 ^{-0.001} / _{-0.003}	2.500 ±.004	1.875 ±.003	2.500 ^{+0.005} / _{+0.000}	17.80
UFN31-1.87-43P	1-7/8	2-1/2	7/16	.452 ^{+0.010} / _{+0.000}	1.875 ^{-0.001} / _{-0.003}	2.500 ±.004	1.875 ±.003	2.500 ^{+0.005} / _{+0.000}	17.40

STYLE UFN-P SYMMETRICAL PLAIN SEALS

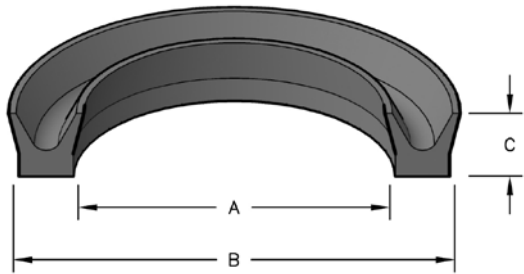
U-SEALS

Part Number	A Nom. ID	B Nom. OD	C Nom. Ht	D GROOVE WIDTH	E ROD DIAMETER	G HOUSING DIAMETER	H GROOVE DIAMETER	J BORE DIAMETER	List Price
UFN31-2.00-43P	2	2-5/8	7/16	.452 ^{+0.010} / _{+0.000}	2.000 ^{-0.001} / _{-0.003}	2.625 ±.004	2.000 ±.004	2.625 ^{+0.005} / _{+0.000}	15.69
11/32" C/S									
UFN34-1.50-43P	1-1/2	2-3/16	7/16	.453 ^{+0.010} / _{+0.000}	1.500 ^{-0.001} / _{-0.003}	2.188 ±.004	1.500 ±.003	2.188 ^{+0.005} / _{+0.000}	\$ 14.05
3/8" C/S									
UFN37-1.50-47P	1-1/2	2-1/4	15/32	.483 ^{+0.010} / _{+0.000}	1.500 ^{-0.001} / _{-0.003}	2.250 ±.004	1.500 ±.003	2.250 ^{+0.005} / _{+0.000}	\$ 17.19
UFN37-1.75-50P	1-3/4	2-1/2	1/2	.515 ^{+0.010} / _{+0.000}	1.750 ^{-0.001} / _{-0.003}	2.500 ±.004	1.750 ±.003	2.500 ^{+0.005} / _{+0.000}	19.73
UFN37-2.00-56P	2	2-3/4	9/16	.577 ^{+0.010} / _{+0.000}	2.000 ^{-0.001} / _{-0.003}	2.750 ±.004	2.000 ±.004	2.750 ^{+0.005} / _{+0.000}	17.19
UFN37-2.25-37P	2-1/4	3	3/8	.390 ^{+0.010} / _{+0.000}	2.250 ^{-0.001} / _{-0.003}	3.000 ±.004	2.250 ±.004	3.000 ^{+0.005} / _{+0.000}	19.58
UFN37-2.25-50P	2-1/4	3	1/2	.515 ^{+0.010} / _{+0.000}	2.250 ^{-0.001} / _{-0.003}	3.000 ±.004	2.250 ±.004	3.000 ^{+0.005} / _{+0.000}	18.67
UFN37-2.25-56P	2-1/4	3	9/16	.577 ^{+0.010} / _{+0.000}	2.250 ^{-0.001} / _{-0.003}	3.000 ±.004	2.250 ±.004	3.000 ^{+0.005} / _{+0.000}	17.19
UFN37-2.50-56P	2-1/2	3-1/4	9/16	.577 ^{+0.010} / _{+0.000}	2.500 ^{-0.001} / _{-0.003}	3.250 ±.004	2.500 ±.004	3.250 ^{+0.006} / _{+0.000}	19.73
UFN37-2.75-56P	2-3/4	3-1/2	9/16	.577 ^{+0.010} / _{+0.000}	2.750 ^{-0.001} / _{-0.003}	3.500 ±.004	2.750 ±.004	3.500 ^{+0.006} / _{+0.000}	23.88
UFN37-3.00-50P	3	3-3/4	1/2	.515 ^{+0.010} / _{+0.000}	3.000 ^{-0.001} / _{-0.003}	3.750 ±.004	3.000 ±.004	3.750 ^{+0.006} / _{+0.000}	21.69
UFN37-3.00-56P	3	3-3/4	9/16	.577 ^{+0.010} / _{+0.000}	3.000 ^{-0.001} / _{-0.003}	3.750 ±.004	3.000 ±.004	3.750 ^{+0.006} / _{+0.000}	21.91
UFN37-3.25-50P	3-1/4	4	1/2	.515 ^{+0.010} / _{+0.000}	3.250 ^{-0.001} / _{-0.004}	4.000 ±.004	3.250 ±.004	4.000 ^{+0.006} / _{+0.000}	24.90
UFN37-3.25-56P	3-1/4	4	9/16	.577 ^{+0.010} / _{+0.000}	3.250 ^{-0.001} / _{-0.004}	4.000 ±.004	3.250 ±.004	4.000 ^{+0.006} / _{+0.000}	26.17
UFN37-3.50-56P	3-1/2	4-1/4	9/16	.577 ^{+0.010} / _{+0.000}	3.500 ^{-0.001} / _{-0.004}	4.250 ±.004	3.500 ±.004	4.250 ^{+0.006} / _{+0.000}	27.29
1/2" C/S									
UFN50-3.00-62P	3	4	5/8	.640 ^{+0.010} / _{+0.000}	3.000 ^{-0.001} / _{-0.003}	4.000 ±.004	3.000 ±.004	4.000 ^{+0.006} / _{+0.000}	\$ 23.23
UFN50-4.00-75P	4	5	3/4	.765 ^{+0.010} / _{+0.000}	4.000 ^{-0.001} / _{-0.004}	5.000 ±.005	4.000 ±.004	5.000 ^{+0.006} / _{+0.000}	34.79

STYLE 870 HOMOGENEOUS U-SEALS



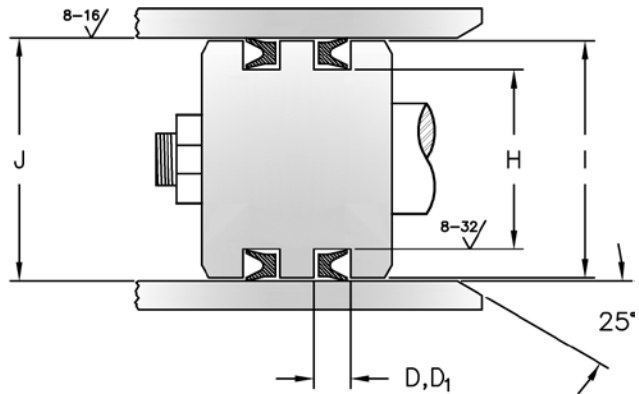
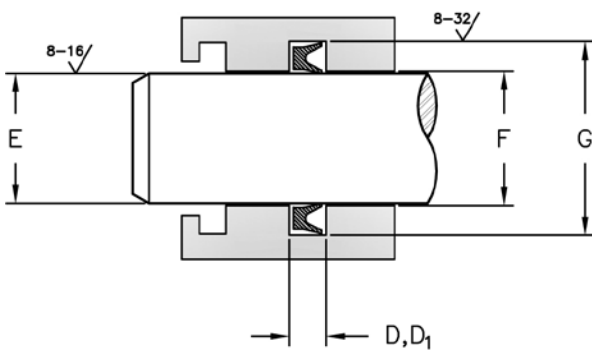
Style 870 u-seals are precision molded from Buna-N synthetic rubber. Style 870 u-seal numbers conform in size to Army-Navy specification AN6226.



HERCULES PART NUMBERS

870 - 006
 Type of Seal AN Dash Number

SEAL INFORMATION	
MATERIAL	70A BUNA-N RUBBER
TEMPERATURE RANGE	-40° TO +240° F
PRESSURE RANGE	0 TO 500 PSI
SPEED	3 FT/SEC



U-SEALS

Part Number	A Nom. ID	B Nom. OD	C Nom. Ht	D GROOVE WIDTH	D ₁ GROOVE WIDTH WITH BACKUP	E ROD DIAMETER	F THROAT DIAMETER	G HOUSING DIAMETER	H GROOVE DIAMETER	I PISTON DIAMETER	J BORE DIAMETER	List Price
870-006	1/8	1/4	1/16	.094 ^{+0.010} / _{+0.000}	.156 ±0.010	.125 ^{+0.000} / _{-0.001}	.126 ^{+0.001} / _{+0.000}	.250 ^{+0.001} / _{+0.000}	.125 ^{+0.000} / _{-0.001}	.249 ^{+0.000} / _{-0.001}	.250 ^{+0.002} / _{+0.000}	\$ 1.71
870-41	1/8	3/8	1/8	.156 ^{+0.010} / _{+0.000}	.218 ±0.010	.125 ^{+0.000} / _{-0.001}	.127 ^{+0.002} / _{+0.000}	.375 ^{+0.002} / _{+0.000}	.125 ^{+0.000} / _{-0.001}	.373 ^{+0.000} / _{-0.002}	.375 ^{+0.003} / _{+0.000}	2.74
870-01	1/8	1/2	3/16	.218 ^{+0.010} / _{+0.000}	.280 ±0.010	.125 ^{+0.000} / _{-0.001}	.126 ^{+0.002} / _{+0.000}	.500 ^{+0.002} / _{+0.000}	.125 ^{+0.000} / _{-0.004}	.498 ^{+0.000} / _{-0.001}	.500 ^{+0.003} / _{+0.000}	2.74
870-42	3/16	7/16	1/8	.156 ^{+0.010} / _{+0.000}	.218 ±0.010	.187 ^{+0.000} / _{-0.001}	.189 ^{+0.002} / _{+0.000}	.438 ^{+0.002} / _{+0.000}	.187 ^{+0.000} / _{-0.001}	.435 ^{+0.000} / _{-0.002}	.438 ^{+0.003} / _{+0.000}	2.74
870-02	3/16	9/16	3/16	.218 ^{+0.010} / _{+0.000}	.280 ±0.010	.187 ^{+0.000} / _{-0.001}	.188 ^{+0.002} / _{+0.000}	.563 ^{+0.002} / _{+0.000}	.187 ^{+0.000} / _{-0.004}	.560 ^{+0.000} / _{-0.001}	.563 ^{+0.003} / _{+0.000}	2.74
870-43	1/4	1/2	1/8	.156 ^{+0.010} / _{+0.000}	.218 ±0.010	.250 ^{+0.000} / _{-0.001}	.252 ^{+0.002} / _{+0.000}	.500 ^{+0.002} / _{+0.000}	.250 ^{+0.000} / _{-0.001}	.498 ^{+0.000} / _{-0.002}	.500 ^{+0.003} / _{+0.000}	2.74
870-03	1/4	5/8	3/16	.218 ^{+0.010} / _{+0.000}	.280 ±0.010	.250 ^{+0.000} / _{-0.001}	.251 ^{+0.002} / _{+0.000}	.625 ^{+0.002} / _{+0.000}	.250 ^{+0.000} / _{-0.004}	.623 ^{+0.000} / _{-0.001}	.625 ^{+0.003} / _{+0.000}	2.85
870-08	1/4	3/4	1/4	.281 ^{+0.010} / _{+0.000}	.343 ±0.010	.250 ^{+0.000} / _{-0.002}	.251 ^{+0.003} / _{+0.000}	.750 ^{+0.003} / _{+0.000}	.250 ^{+0.000} / _{-0.003}	.748 ^{+0.000} / _{-0.001}	.750 ^{+0.003} / _{+0.000}	3.48
870-44	5/16	9/16	1/8	.156 ^{+0.010} / _{+0.000}	.218 ±0.010	.312 ^{+0.000} / _{-0.001}	.314 ^{+0.002} / _{+0.000}	.563 ^{+0.002} / _{+0.000}	.312 ^{+0.000} / _{-0.001}	.560 ^{+0.000} / _{-0.002}	.563 ^{+0.003} / _{+0.000}	2.74
870-04	5/16	11/16	3/16	.218 ^{+0.010} / _{+0.000}	.280 ±0.010	.312 ^{+0.000} / _{-0.001}	.313 ^{+0.002} / _{+0.000}	.688 ^{+0.002} / _{+0.000}	.312 ^{+0.000} / _{-0.004}	.685 ^{+0.000} / _{-0.001}	.688 ^{+0.003} / _{+0.000}	2.85
870-09	5/16	13/16	1/4	.281 ^{+0.010} / _{+0.000}	.343 ±0.010	.312 ^{+0.000} / _{-0.002}	.313 ^{+0.003} / _{+0.000}	.813 ^{+0.003} / _{+0.000}	.312 ^{+0.000} / _{-0.003}	.810 ^{+0.000} / _{-0.001}	.813 ^{+0.003} / _{+0.000}	3.48
870-45	3/8	5/8	1/8	.156 ^{+0.010} / _{+0.000}	.218 ±0.010	.375 ^{+0.000} / _{-0.001}	.377 ^{+0.002} / _{+0.000}	.625 ^{+0.002} / _{+0.000}	.375 ^{+0.000} / _{-0.001}	.623 ^{+0.000} / _{-0.002}	.625 ^{+0.003} / _{+0.000}	2.85
870-05	3/8	3/4	3/16	.218 ^{+0.010} / _{+0.000}	.280 ±0.010	.375 ^{+0.000} / _{-0.001}	.376 ^{+0.002} / _{+0.000}	.750 ^{+0.002} / _{+0.000}	.375 ^{+0.000} / _{-0.004}	.748 ^{+0.000} / _{-0.001}	.750 ^{+0.003} / _{+0.000}	2.85

STYLE 870 HOMOGENEOUS U-SEALS

U-SEALS

Part Number	A Nom. ID	B Nom. OD	C Nom. Ht	D GROOVE WIDTH	D ₁ GROOVE WIDTH WITH BACKUP	E ROD DIAMETER	F THROAT DIAMETER	G HOUSING DIAMETER	H GROOVE DIAMETER	I PISTON DIAMETER	J BORE DIAMETER	List Price
870-10	3/8	7/8	1/4	.281 ^{+0.010} / _{+0.000}	.343 ±0.010	.375 ^{+0.000} / _{-0.002}	.376 ^{+0.003} / _{+0.000}	.875 ^{+0.003} / _{+0.000}	.375 ^{+0.000} / _{-0.003}	.873 ^{+0.000} / _{-0.001}	.875 ^{+0.003} / _{+0.000}	3.48
870-46	7/16	11/16	1/8	.156 ^{+0.010} / _{+0.000}	.218 ±0.010	.437 ^{+0.000} / _{-0.001}	.439 ^{+0.002} / _{+0.000}	.688 ^{+0.002} / _{+0.000}	.437 ^{+0.000} / _{-0.001}	.685 ^{+0.000} / _{-0.002}	.688 ^{+0.003} / _{+0.000}	2.98
870-06	7/16	13/16	3/16	.218 ^{+0.010} / _{+0.000}	.280 ±0.010	.437 ^{+0.000} / _{-0.001}	.438 ^{+0.002} / _{+0.000}	.813 ^{+0.002} / _{+0.000}	.437 ^{+0.000} / _{-0.004}	.810 ^{+0.000} / _{-0.001}	.813 ^{+0.003} / _{+0.000}	3.18
870-11	7/16	15/16	1/4	.281 ^{+0.010} / _{+0.000}	.343 ±0.010	.437 ^{+0.000} / _{-0.002}	.438 ^{+0.003} / _{+0.000}	.938 ^{+0.003} / _{+0.000}	.437 ^{+0.000} / _{-0.003}	.935 ^{+0.000} / _{-0.001}	.938 ^{+0.003} / _{+0.000}	3.48
870-47	1/2	3/4	1/8	.156 ^{+0.010} / _{+0.000}	.218 ±0.010	.500 ^{+0.000} / _{-0.001}	.502 ^{+0.002} / _{+0.000}	.750 ^{+0.002} / _{+0.000}	.500 ^{+0.000} / _{-0.001}	.748 ^{+0.000} / _{-0.002}	.750 ^{+0.003} / _{+0.000}	2.98
870-07	1/2	7/8	3/16	.218 ^{+0.010} / _{+0.000}	.280 ±0.010	.500 ^{+0.000} / _{-0.001}	.501 ^{+0.002} / _{+0.000}	.875 ^{+0.002} / _{+0.000}	.500 ^{+0.000} / _{-0.004}	.873 ^{+0.000} / _{-0.001}	.875 ^{+0.003} / _{+0.000}	3.29
870-12	1/2	1	1/4	.281 ^{+0.010} / _{+0.000}	.343 ±0.010	.500 ^{+0.000} / _{-0.002}	.501 ^{+0.003} / _{+0.000}	1.000 ^{+0.003} / _{+0.000}	.500 ^{+0.000} / _{-0.003}	.998 ^{+0.000} / _{-0.001}	1.000 ^{+0.003} / _{+0.000}	3.68
870-13	9/16	1-1/16	1/4	.281 ^{+0.010} / _{+0.000}	.343 ±0.010	.562 ^{+0.000} / _{-0.002}	.563 ^{+0.003} / _{+0.000}	1.063 ^{+0.003} / _{+0.000}	.562 ^{+0.000} / _{-0.003}	1.060 ^{+0.000} / _{-0.001}	1.063 ^{+0.003} / _{+0.000}	3.68
870-48	5/8	1	3/16	.218 ^{+0.010} / _{+0.000}	.280 ±0.010	.625 ^{+0.000} / _{-0.001}	.627 ^{+0.002} / _{+0.000}	1.000 ^{+0.002} / _{+0.000}	.625 ^{+0.000} / _{-0.004}	.998 ^{+0.000} / _{-0.002}	1.000 ^{+0.003} / _{+0.000}	3.68
870-14	5/8	1-1/8	1/4	.281 ^{+0.010} / _{+0.000}	.343 ±0.010	.625 ^{+0.000} / _{-0.002}	.626 ^{+0.003} / _{+0.000}	1.125 ^{+0.003} / _{+0.000}	.625 ^{+0.000} / _{-0.003}	1.123 ^{+0.000} / _{-0.001}	1.125 ^{+0.003} / _{+0.000}	3.68
870-15	11/16	1-3/16	1/4	.281 ^{+0.010} / _{+0.000}	.343 ±0.010	.687 ^{+0.000} / _{-0.002}	.688 ^{+0.003} / _{+0.000}	1.188 ^{+0.003} / _{+0.000}	.687 ^{+0.000} / _{-0.003}	1.185 ^{+0.000} / _{-0.001}	1.188 ^{+0.003} / _{+0.000}	3.68
870-49	3/4	1-1/8	3/16	.218 ^{+0.010} / _{+0.000}	.280 ±0.010	.750 ^{+0.000} / _{-0.001}	.752 ^{+0.002} / _{+0.000}	1.125 ^{+0.002} / _{+0.000}	.750 ^{+0.000} / _{-0.004}	1.123 ^{+0.000} / _{-0.002}	1.125 ^{+0.003} / _{+0.000}	3.68
870-16	3/4	1-1/4	1/4	.281 ^{+0.010} / _{+0.000}	.343 ±0.010	.750 ^{+0.000} / _{-0.002}	.751 ^{+0.003} / _{+0.000}	1.250 ^{+0.003} / _{+0.000}	.750 ^{+0.000} / _{-0.003}	1.248 ^{+0.000} / _{-0.001}	1.250 ^{+0.003} / _{+0.000}	3.97
870-17	13/16	1-5/16	1/4	.281 ^{+0.010} / _{+0.000}	.343 ±0.010	.812 ^{+0.000} / _{-0.002}	.813 ^{+0.003} / _{+0.000}	1.313 ^{+0.003} / _{+0.000}	.812 ^{+0.000} / _{-0.003}	1.310 ^{+0.000} / _{-0.001}	1.313 ^{+0.003} / _{+0.000}	3.97
870-50	7/8	1-1/4	3/16	.218 ^{+0.010} / _{+0.000}	.280 ±0.010	.875 ^{+0.000} / _{-0.001}	.877 ^{+0.002} / _{+0.000}	1.250 ^{+0.002} / _{+0.000}	.875 ^{+0.000} / _{-0.004}	1.248 ^{+0.000} / _{-0.002}	1.250 ^{+0.003} / _{+0.000}	3.97
870-18	7/8	1-3/8	1/4	.281 ^{+0.010} / _{+0.000}	.343 ±0.010	.875 ^{+0.000} / _{-0.002}	.876 ^{+0.003} / _{+0.000}	1.375 ^{+0.003} / _{+0.000}	.875 ^{+0.000} / _{-0.003}	1.373 ^{+0.000} / _{-0.001}	1.375 ^{+0.003} / _{+0.000}	3.97
870-19	15/16	1-7/16	1/4	.281 ^{+0.010} / _{+0.000}	.343 ±0.010	.937 ^{+0.000} / _{-0.002}	.938 ^{+0.003} / _{+0.000}	1.438 ^{+0.003} / _{+0.000}	.937 ^{+0.000} / _{-0.003}	1.435 ^{+0.000} / _{-0.001}	1.438 ^{+0.003} / _{+0.000}	3.97
870-51	1	1-3/8	3/16	.218 ^{+0.010} / _{+0.000}	.280 ±0.010	1.000 ^{+0.000} / _{-0.001}	1.002 ^{+0.002} / _{+0.000}	1.375 ^{+0.002} / _{+0.000}	1.000 ^{+0.000} / _{-0.004}	1.373 ^{+0.000} / _{-0.001}	1.375 ^{+0.003} / _{+0.000}	3.97
870-20	1	1-1/2	1/4	.281 ^{+0.010} / _{+0.000}	.343 ±0.010	1.000 ^{+0.000} / _{-0.002}	1.001 ^{+0.003} / _{+0.000}	1.500 ^{+0.003} / _{+0.000}	1.000 ^{+0.000} / _{-0.003}	1.498 ^{+0.000} / _{-0.001}	1.500 ^{+0.003} / _{+0.000}	4.15
870-21	1-1/16	1-9/16	1/4	.281 ^{+0.010} / _{+0.000}	.343 ±0.010	1.062 ^{+0.000} / _{-0.002}	1.063 ^{+0.003} / _{+0.000}	1.563 ^{+0.003} / _{+0.000}	1.062 ^{+0.000} / _{-0.003}	1.560 ^{+0.000} / _{-0.001}	1.563 ^{+0.003} / _{+0.000}	4.26
870-52	1-1/8	1-1/2	3/16	.218 ^{+0.010} / _{+0.000}	.280 ±0.010	1.125 ^{+0.000} / _{-0.001}	1.127 ^{+0.002} / _{+0.000}	1.500 ^{+0.002} / _{+0.000}	1.125 ^{+0.000} / _{-0.004}	1.498 ^{+0.000} / _{-0.001}	1.500 ^{+0.003} / _{+0.000}	4.05
870-22	1-1/8	1-5/8	1/4	.281 ^{+0.010} / _{+0.000}	.343 ±0.010	1.125 ^{+0.000} / _{-0.002}	1.126 ^{+0.003} / _{+0.000}	1.625 ^{+0.003} / _{+0.000}	1.125 ^{+0.000} / _{-0.003}	1.623 ^{+0.000} / _{-0.001}	1.625 ^{+0.003} / _{+0.000}	4.26
870-23	1-3/16	1-11/16	1/4	.281 ^{+0.010} / _{+0.000}	.343 ±0.010	1.187 ^{+0.000} / _{-0.002}	1.188 ^{+0.003} / _{+0.000}	1.688 ^{+0.003} / _{+0.000}	1.187 ^{+0.000} / _{-0.003}	1.685 ^{+0.000} / _{-0.001}	1.688 ^{+0.003} / _{+0.000}	4.26
870-53	1-1/4	1-5/8	3/16	.218 ^{+0.010} / _{+0.000}	.280 ±0.010	1.250 ^{+0.000} / _{-0.001}	1.252 ^{+0.002} / _{+0.000}	1.625 ^{+0.002} / _{+0.000}	1.250 ^{+0.000} / _{-0.004}	1.623 ^{+0.000} / _{-0.001}	1.625 ^{+0.003} / _{+0.000}	4.05
870-24	1-1/4	1-3/4	1/4	.281 ^{+0.010} / _{+0.000}	.343 ±0.010	1.250 ^{+0.000} / _{-0.002}	1.251 ^{+0.003} / _{+0.000}	1.750 ^{+0.003} / _{+0.000}	1.250 ^{+0.000} / _{-0.003}	1.748 ^{+0.000} / _{-0.001}	1.750 ^{+0.003} / _{+0.000}	4.26
870-25	1-1/4	1-7/8	5/16	.344 ^{+0.010} / _{+0.000}	.406 ±0.010	1.250 ^{+0.000} / _{-0.002}	1.252 ^{+0.003} / _{+0.000}	1.875 ^{+0.004} / _{+0.000}	1.250 ^{+0.000} / _{-0.004}	1.873 ^{+0.000} / _{-0.002}	1.875 ^{+0.003} / _{+0.000}	4.58
870-26	1-3/8	2	5/16	.344 ^{+0.010} / _{+0.000}	.406 ±0.010	1.375 ^{+0.000} / _{-0.002}	1.377 ^{+0.003} / _{+0.000}	2.000 ^{+0.004} / _{+0.000}	1.375 ^{+0.000} / _{-0.004}	1.998 ^{+0.000} / _{-0.001}	2.000 ^{+0.003} / _{+0.000}	4.88
870-27	1-1/2	2-1/8	5/16	.344 ^{+0.010} / _{+0.000}	.406 ±0.010	1.500 ^{+0.000} / _{-0.002}	1.502 ^{+0.003} / _{+0.000}	2.125 ^{+0.004} / _{+0.000}	1.500 ^{+0.000} / _{-0.004}	2.123 ^{+0.000} / _{-0.001}	2.125 ^{+0.003} / _{+0.000}	5.03
870-28	1-5/8	2-1/4	5/16	.344 ^{+0.010} / _{+0.000}	.406 ±0.010	1.625 ^{+0.000} / _{-0.002}	1.627 ^{+0.003} / _{+0.000}	2.250 ^{+0.004} / _{+0.000}	1.625 ^{+0.000} / _{-0.004}	2.248 ^{+0.000} / _{-0.001}	2.250 ^{+0.003} / _{+0.000}	5.11
870-29	1-3/4	2-3/8	5/16	.344 ^{+0.010} / _{+0.000}	.406 ±0.010	1.750 ^{+0.000} / _{-0.002}	1.752 ^{+0.003} / _{+0.000}	2.375 ^{+0.004} / _{+0.000}	1.750 ^{+0.000} / _{-0.004}	2.373 ^{+0.000} / _{-0.001}	2.375 ^{+0.003} / _{+0.000}	5.19
870-30	1-7/8	2-1/2	5/16	.344 ^{+0.010} / _{+0.000}	.406 ±0.010	1.875 ^{+0.000} / _{-0.002}	1.877 ^{+0.003} / _{+0.000}	2.500 ^{+0.004} / _{+0.000}	1.875 ^{+0.000} / _{-0.004}	2.498 ^{+0.000} / _{-0.001}	2.500 ^{+0.003} / _{+0.000}	5.33
870-2X2-3/8	2	2-3/8	3/16	.218 ^{+0.010} / _{+0.000}	.280 ±0.010	2.000 ^{+0.000} / _{-0.001}	2.002 ^{+0.002} / _{+0.000}	2.375 ^{+0.002} / _{+0.000}	2.000 ^{+0.000} / _{-0.004}	2.373 ^{+0.000} / _{-0.002}	2.375 ^{+0.003} / _{+0.000}	10.80

STYLE 870 HOMOGENEOUS U-SEALS



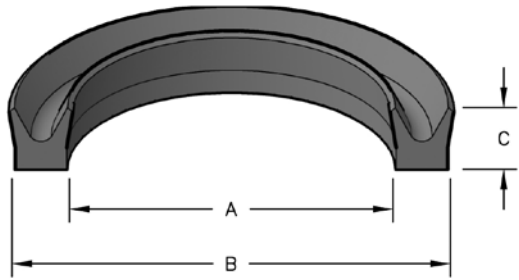
U-SEALS

Part Number	A Nom. ID	B Nom. OD	C Nom. Ht	D GROOVE WIDTH	D ₁ GROOVE WIDTH WITH BACKUP	E ROD DIAMETER	F THROAT DIAMETER	G HOUSING DIAMETER	H GROOVE DIAMETER	I PISTON DIAMETER	J BORE DIAMETER	List Price
870-31	2	2-5/8	5/16	.344 ^{+0.010} / _{+0.000}	.406 ±0.010	2.000 ^{+0.000} / _{-0.002}	2.002 ^{+0.003} / _{+0.000}	2.625 ^{+0.004} / _{+0.000}	2.000 ^{+0.000} / _{-0.004}	2.623 ^{+0.000} / _{-0.001}	2.625 ^{+0.003} / _{+0.000}	5.48
870-32	2-1/8	2-3/4	5/16	.344 ^{+0.010} / _{+0.000}	.406 ±0.010	2.125 ^{+0.000} / _{-0.002}	2.127 ^{+0.003} / _{+0.000}	2.750 ^{+0.004} / _{+0.000}	2.125 ^{+0.000} / _{-0.004}	2.748 ^{+0.000} / _{-0.001}	2.750 ^{+0.003} / _{+0.000}	5.76
870-33	2-1/4	2-7/8	5/16	.344 ^{+0.010} / _{+0.000}	.406 ±0.010	2.250 ^{+0.000} / _{-0.002}	2.252 ^{+0.003} / _{+0.000}	2.875 ^{+0.004} / _{+0.000}	2.250 ^{+0.000} / _{-0.004}	2.873 ^{+0.000} / _{-0.001}	2.875 ^{+0.003} / _{+0.000}	5.88
870-34	2-3/8	3	5/16	.344 ^{+0.010} / _{+0.000}	.406 ±0.010	2.375 ^{+0.000} / _{-0.002}	2.377 ^{+0.003} / _{+0.000}	3.000 ^{+0.004} / _{+0.000}	2.375 ^{+0.000} / _{-0.004}	2.998 ^{+0.000} / _{-0.001}	3.000 ^{+0.003} / _{+0.000}	6.19
870-134	2-1/2	3	1/4	.281 ^{+0.010} / _{+0.000}	.343 ±0.010	2.500 ^{+0.000} / _{-0.002}	2.502 ^{+0.003} / _{+0.000}	3.000 ^{+0.003} / _{+0.000}	2.500 ^{+0.000} / _{-0.003}	2.998 ^{+0.000} / _{-0.002}	3.000 ^{+0.003} / _{+0.000}	6.05
870-35	2-1/2	3-1/8	5/16	.344 ^{+0.010} / _{+0.000}	.406 ±0.010	2.500 ^{+0.000} / _{-0.002}	2.502 ^{+0.003} / _{+0.000}	3.125 ^{+0.004} / _{+0.000}	2.500 ^{+0.000} / _{-0.004}	3.123 ^{+0.000} / _{-0.001}	3.125 ^{+0.003} / _{+0.000}	6.55
870-36	2-1/2	3-1/4	3/8	.406 ^{+0.010} / _{+0.000}	.468 ±0.010	2.500 ^{+0.000} / _{-0.002}	2.502 ^{+0.004} / _{+0.000}	3.250 ^{+0.005} / _{+0.000}	2.500 ^{+0.000} / _{-0.005}	3.248 ^{+0.000} / _{-0.001}	3.250 ^{+0.004} / _{+0.000}	6.79
870-2.62X3.12	2-5/8	3-1/8	1/4	.281 ^{+0.010} / _{+0.000}	.343 ±0.010	2.625 ^{+0.000} / _{-0.002}	2.626 ^{+0.003} / _{+0.000}	3.125 ^{+0.003} / _{+0.000}	2.625 ^{+0.000} / _{-0.003}	3.124 ^{+0.000} / _{-0.002}	3.125 ^{+0.003} / _{+0.000}	20.48
870-37	2-5/8	3-3/8	3/8	.406 ^{+0.010} / _{+0.000}	.468 ±0.010	2.625 ^{+0.000} / _{-0.002}	2.627 ^{+0.004} / _{+0.000}	3.375 ^{+0.005} / _{+0.000}	2.625 ^{+0.000} / _{-0.005}	3.373 ^{+0.000} / _{-0.001}	3.375 ^{+0.004} / _{+0.000}	7.10
870-38	2-3/4	3-1/2	3/8	.406 ^{+0.010} / _{+0.000}	.468 ±0.010	2.750 ^{+0.000} / _{-0.002}	2.752 ^{+0.004} / _{+0.000}	3.500 ^{+0.005} / _{+0.000}	2.750 ^{+0.000} / _{-0.005}	3.498 ^{+0.000} / _{-0.001}	3.500 ^{+0.004} / _{+0.000}	14.32
870-39	2-7/8	3-5/8	3/8	.406 ^{+0.010} / _{+0.000}	.468 ±0.010	2.875 ^{+0.000} / _{-0.002}	2.877 ^{+0.004} / _{+0.000}	3.625 ^{+0.005} / _{+0.000}	2.875 ^{+0.000} / _{-0.005}	3.623 ^{+0.000} / _{-0.001}	3.625 ^{+0.004} / _{+0.000}	7.40
870-40	3	3-3/4	3/8	.406 ^{+0.010} / _{+0.000}	.468 ±0.010	3.000 ^{+0.000} / _{-0.002}	3.002 ^{+0.004} / _{+0.000}	3.750 ^{+0.005} / _{+0.000}	3.000 ^{+0.000} / _{-0.005}	3.748 ^{+0.000} / _{-0.001}	3.750 ^{+0.004} / _{+0.000}	9.50
870-3.12X3.62	3-1/8	3-5/8	1/4	.281 ^{+0.010} / _{+0.000}	.343 ±0.010	3.125 ^{+0.000} / _{-0.002}	3.126 ^{+0.003} / _{+0.000}	3.625 ^{+0.003} / _{+0.000}	3.125 ^{+0.000} / _{-0.003}	3.624 ^{+0.000} / _{-0.002}	3.625 ^{+0.003} / _{+0.000}	23.88
870-60	3-1/4	4	3/8	.406 ^{+0.010} / _{+0.000}	.468 ±0.010	3.250 ^{+0.000} / _{-0.002}	3.252 ^{+0.004} / _{+0.000}	4.000 ^{+0.005} / _{+0.000}	3.250 ^{+0.000} / _{-0.005}	3.998 ^{+0.000} / _{-0.002}	4.000 ^{+0.004} / _{+0.000}	14.86
870-3.62X4.12	3-5/8	4-1/8	1/4	.281 ^{+0.010} / _{+0.000}	.343 ±0.010	3.625 ^{+0.000} / _{-0.002}	3.626 ^{+0.003} / _{+0.000}	4.125 ^{+0.003} / _{+0.000}	3.625 ^{+0.000} / _{-0.003}	4.124 ^{+0.000} / _{-0.002}	4.125 ^{+0.003} / _{+0.000}	30.25
870-4.12X4.62	4-1/8	4-5/8	1/4	.281 ^{+0.010} / _{+0.000}	.343 ±0.010	4.125 ^{+0.000} / _{-0.002}	4.126 ^{+0.003} / _{+0.000}	4.625 ^{+0.003} / _{+0.000}	4.125 ^{+0.000} / _{-0.003}	4.624 ^{+0.000} / _{-0.002}	4.625 ^{+0.003} / _{+0.000}	32.45
870-65	4-1/4	5	3/8	.406 ^{+0.010} / _{+0.000}	.468 ±0.010	4.250 ^{+0.000} / _{-0.002}	4.252 ^{+0.004} / _{+0.000}	5.000 ^{+0.005} / _{+0.000}	4.250 ^{+0.000} / _{-0.005}	4.998 ^{+0.000} / _{-0.002}	5.000 ^{+0.004} / _{+0.000}	17.64
870-5.12X6	5-1/8	6	7/16	.469 ^{+0.010} / _{+0.000}	.531 ±0.010	5.125 ^{+0.000} / _{-0.003}	5.127 ^{+0.004} / _{+0.000}	6.000 ^{+0.006} / _{+0.000}	5.125 ^{+0.000} / _{-0.006}	5.998 ^{+0.000} / _{-0.002}	6.000 ^{+0.005} / _{+0.000}	51.82
870-5.2X6	5-1/4	6	3/8	.406 ^{+0.010} / _{+0.000}	.468 ±0.010	5.250 ^{+0.000} / _{-0.002}	5.252 ^{+0.004} / _{+0.000}	6.000 ^{+0.005} / _{+0.000}	5.250 ^{+0.000} / _{-0.005}	5.998 ^{+0.000} / _{-0.002}	6.000 ^{+0.004} / _{+0.000}	39.86
870-5.2X6X.50	5-1/4	6	1/2	.531 ^{+0.010} / _{+0.000}	.593 ±0.010	5.250 ^{+0.000} / _{-0.002}	5.252 ^{+0.005} / _{+0.000}	6.000 ^{+0.005} / _{+0.000}	5.250 ^{+0.000} / _{-0.005}	5.998 ^{+0.000} / _{-0.003}	6.000 ^{+0.004} / _{+0.000}	39.86
870-6X7X.5	6	7	1/2	.531 ^{+0.010} / _{+0.000}	.593 ±0.010	6.000 ^{+0.000} / _{-0.003}	6.002 ^{+0.005} / _{+0.000}	7.000 ^{+0.007} / _{+0.000}	6.000 ^{+0.000} / _{-0.007}	6.998 ^{+0.000} / _{-0.003}	7.000 ^{+0.005} / _{+0.000}	43.37
870-6.12X7	6-1/8	7	7/16	.469 ^{+0.010} / _{+0.000}	.531 ±0.010	6.125 ^{+0.000} / _{-0.003}	6.127 ^{+0.004} / _{+0.000}	7.000 ^{+0.006} / _{+0.000}	6.125 ^{+0.000} / _{-0.006}	6.998 ^{+0.000} / _{-0.002}	7.000 ^{+0.005} / _{+0.000}	76.81
870-6.2X7X.50	6-1/4	7	1/2	.531 ^{+0.010} / _{+0.000}	.593 ±0.010	6.250 ^{+0.000} / _{-0.002}	6.252 ^{+0.005} / _{+0.000}	7.000 ^{+0.005} / _{+0.000}	6.250 ^{+0.000} / _{-0.005}	6.998 ^{+0.000} / _{-0.003}	7.000 ^{+0.004} / _{+0.000}	42.62
870-80	7	8	1/2	.531 ^{+0.010} / _{+0.000}	.593 ±0.010	7.000 ^{+0.000} / _{-0.003}	7.002 ^{+0.005} / _{+0.000}	8.000 ^{+0.007} / _{+0.000}	7.000 ^{+0.000} / _{-0.007}	7.998 ^{+0.000} / _{-0.003}	8.000 ^{+0.005} / _{+0.000}	40.75
870-9X10	9	10	1/2	.531 ^{+0.010} / _{+0.000}	.593 ±0.010	9.000 ^{+0.000} / _{-0.003}	9.002 ^{+0.005} / _{+0.000}	10.000 ^{+0.007} / _{+0.000}	9.000 ^{+0.000} / _{-0.007}	9.998 ^{+0.000} / _{-0.003}	10.000 ^{+0.005} / _{+0.000}	161.57
870-90	11	12	1/2	.531 ^{+0.010} / _{+0.000}	.593 ±0.010	11.000 ^{+0.000} / _{-0.003}	11.002 ^{+0.005} / _{+0.000}	12.000 ^{+0.007} / _{+0.000}	11.000 ^{+0.000} / _{-0.007}	11.998 ^{+0.000} / _{-0.003}	12.000 ^{+0.005} / _{+0.000}	65.32
870-95	13	14	1/2	.531 ^{+0.010} / _{+0.000}	.593 ±0.010	13.000 ^{+0.000} / _{-0.003}	13.002 ^{+0.005} / _{+0.000}	14.000 ^{+0.007} / _{+0.000}	13.000 ^{+0.000} / _{-0.007}	13.998 ^{+0.000} / _{-0.003}	14.000 ^{+0.005} / _{+0.000}	83.12

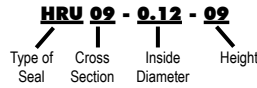


STYLE HRU HOMOGENEOUS U-SEALS

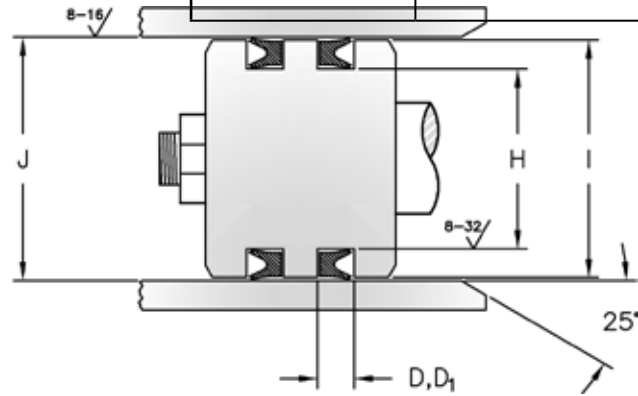
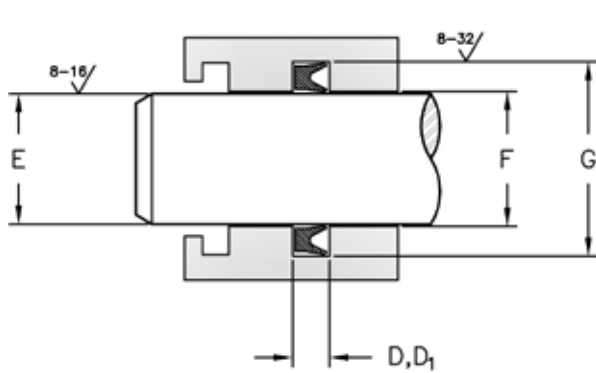
Style HRU u-seals are precision molded from 80 Durometer Buna-N rubber. Sizes include those found in Army-Navy spec. AN6226 and narrow cross-section sizes found in J.I.C. cylinders and the popularly termed "Huva Cup".



HERCULES PART NUMBERS



V= FLUOROCARBON



SEAL INFORMATION	
MATERIAL	80A BUNA-N RUBBER 90A FLUOROCARBON
TEMPERATURE RANGE	BUNA-N: -40° TO +250° F FC: -20° TO +400° F
PRESSURE RANGE	BUNA-N: 0 TO 1,250 PSI FC: 0 TO 2,000 PSI
SPEED	3 FT/SEC

U-SEALS

Part Number	A Nom. ID	B Nom. OD	C Nom. Ht	D GROOVE WIDTH	D ₁ GROOVE WIDTH WITH BACKUP	E ROD DIAMETER	F THROAT DIAMETER	G HOUSING DIAMETER	H GROOVE DIAMETER	I PISTON DIAMETER	J BORE DIAMETER	List Price
3/32" C/S												
HRU09-0.12-09	1/8	5/16	3/32	.125 ^{+0.015} / _{+0.000}	.188 ±.010	.125 ^{+0.000} / _{-.001}	.126 ^{+0.002} / _{+0.000}	.313 ^{+0.002} / _{+0.000}	.125 ^{+0.000} / _{-.001}	.310 ^{+0.000} / _{-.001}	.313 ^{+0.002} / _{+0.000}	\$3.67
HRU09-0.18-09	3/16	3/8	3/32	.125 ^{+0.015} / _{+0.000}	.188 ±.010	.187 ^{+0.000} / _{-.001}	.188 ^{+0.002} / _{+0.000}	.375 ^{+0.002} / _{+0.000}	.187 ^{+0.000} / _{-.001}	.373 ^{+0.000} / _{-.001}	.375 ^{+0.002} / _{+0.000}	3.67
HRU09-0.25-09	1/4	7/16	3/32	.125 ^{+0.015} / _{+0.000}	.188 ±.010	.250 ^{+0.000} / _{-.001}	.251 ^{+0.002} / _{+0.000}	.438 ^{+0.002} / _{+0.000}	.250 ^{+0.000} / _{-.001}	.435 ^{+0.000} / _{-.001}	.438 ^{+0.002} / _{+0.000}	3.67
HRU09-0.31-09	5/16	1/2	3/32	.125 ^{+0.015} / _{+0.000}	.188 ±.010	.312 ^{+0.000} / _{-.001}	.313 ^{+0.002} / _{+0.000}	.500 ^{+0.002} / _{+0.000}	.312 ^{+0.000} / _{-.001}	.498 ^{+0.000} / _{-.001}	.500 ^{+0.002} / _{+0.000}	3.67
HRU09-0.43-09	7/16	5/8	3/32	.125 ^{+0.015} / _{+0.000}	.188 ±.010	.437 ^{+0.000} / _{-.001}	.438 ^{+0.002} / _{+0.000}	.625 ^{+0.002} / _{+0.000}	.437 ^{+0.000} / _{-.001}	.623 ^{+0.000} / _{-.001}	.625 ^{+0.002} / _{+0.000}	3.67
HRU09-0.50-09	1/2	11/16	3/32	.125 ^{+0.015} / _{+0.000}	.188 ±.010	.500 ^{+0.000} / _{-.001}	.501 ^{+0.002} / _{+0.000}	.688 ^{+0.002} / _{+0.000}	.500 ^{+0.000} / _{-.001}	.685 ^{+0.000} / _{-.001}	.688 ^{+0.002} / _{+0.000}	3.67
HRU09-0.56-09	9/16	3/4	3/32	.125 ^{+0.015} / _{+0.000}	.188 ±.010	.562 ^{+0.000} / _{-.001}	.563 ^{+0.002} / _{+0.000}	.750 ^{+0.002} / _{+0.000}	.562 ^{+0.000} / _{-.001}	.748 ^{+0.000} / _{-.001}	.750 ^{+0.002} / _{+0.000}	3.67
HRU09-0.62-09	5/8	13/16	3/32	.125 ^{+0.015} / _{+0.000}	.188 ±.010	.625 ^{+0.000} / _{-.001}	.626 ^{+0.002} / _{+0.000}	.813 ^{+0.002} / _{+0.000}	.625 ^{+0.000} / _{-.001}	.810 ^{+0.000} / _{-.001}	.813 ^{+0.002} / _{+0.000}	3.67
HRU09-0.68-09	11/16	7/8	3/32	.125 ^{+0.015} / _{+0.000}	.188 ±.010	.687 ^{+0.000} / _{-.001}	.688 ^{+0.002} / _{+0.000}	.875 ^{+0.002} / _{+0.000}	.687 ^{+0.000} / _{-.001}	.873 ^{+0.000} / _{-.001}	.875 ^{+0.002} / _{+0.000}	3.92
HRU09-0.75-09	3/4	15/16	3/32	.125 ^{+0.015} / _{+0.000}	.188 ±.010	.750 ^{+0.000} / _{-.001}	.751 ^{+0.002} / _{+0.000}	.938 ^{+0.002} / _{+0.000}	.750 ^{+0.000} / _{-.001}	.935 ^{+0.000} / _{-.001}	.938 ^{+0.002} / _{+0.000}	4.49
1/8" C/S												

STYLE HRU HOMOGENEOUS U-SEALS



U-SEALS

Part Number	A Nom. ID	B Nom. OD	C Nom. Ht	D GROOVE WIDTH	D ₁ GROOVE WIDTH WITH BACKUP	E ROD DIAMETER	F THROAT DIAMETER	G HOUSING DIAMETER	H GROOVE DIAMETER	I PISTON DIAMETER	J BORE DIAMETER	List Price
HRU12-0.18-12	3/16	7/16	1/8	.156 ^{+0.015} / _{+0.000}	.219 ±.010	.187 ^{+0.000} / _{-.001}	.188 ^{+0.002} / _{+0.000}	.438 ^{+0.002} / _{+0.000}	.187 ^{+0.000} / _{-.002}	.435 ^{+0.000} / _{-.001}	.438 ^{+0.002} / _{+0.000}	\$3.67
HRU12-0.25-12	1/4	1/2	1/8	.156 ^{+0.015} / _{+0.000}	.219 ±.010	.250 ^{+0.000} / _{-.001}	.251 ^{+0.002} / _{+0.000}	.500 ^{+0.002} / _{+0.000}	.250 ^{+0.000} / _{-.002}	.498 ^{+0.000} / _{-.001}	.500 ^{+0.002} / _{+0.000}	3.67
HRU12-0.37-12	3/8	5/8	1/8	.156 ^{+0.015} / _{+0.000}	.219 ±.010	.375 ^{+0.000} / _{-.001}	.376 ^{+0.002} / _{+0.000}	.625 ^{+0.002} / _{+0.000}	.375 ^{+0.000} / _{-.002}	.623 ^{+0.000} / _{-.001}	.625 ^{+0.002} / _{+0.000}	3.67
HRU12-0.43-12	7/16	11/16	1/8	.156 ^{+0.015} / _{+0.000}	.219 ±.010	.437 ^{+0.000} / _{-.001}	.438 ^{+0.002} / _{+0.000}	.688 ^{+0.002} / _{+0.000}	.437 ^{+0.000} / _{-.002}	.685 ^{+0.000} / _{-.001}	.688 ^{+0.002} / _{+0.000}	3.67
HRU12-0.50-12	1/2	3/4	1/8	.156 ^{+0.015} / _{+0.000}	.219 ±.010	.500 ^{+0.000} / _{-.001}	.501 ^{+0.002} / _{+0.000}	.750 ^{+0.002} / _{+0.000}	.500 ^{+0.000} / _{-.002}	.748 ^{+0.000} / _{-.001}	.750 ^{+0.002} / _{+0.000}	3.67
HRU12-0.50-12V	1/2	3/4	1/8	.156 ^{+0.015} / _{+0.000}	.219 ±.010	.500 ^{+0.000} / _{-.001}	.501 ^{+0.002} / _{+0.000}	.750 ^{+0.002} / _{+0.000}	.500 ^{+0.000} / _{-.002}	.748 ^{+0.000} / _{-.001}	.750 ^{+0.002} / _{+0.000}	20.64
HRU12-0.56-12	9/16	13/16	1/8	.156 ^{+0.015} / _{+0.000}	.219 ±.010	.562 ^{+0.000} / _{-.001}	.563 ^{+0.002} / _{+0.000}	.813 ^{+0.002} / _{+0.000}	.562 ^{+0.000} / _{-.002}	.810 ^{+0.000} / _{-.001}	.813 ^{+0.002} / _{+0.000}	3.67
HRU12-0.62-12	5/8	7/8	1/8	.156 ^{+0.015} / _{+0.000}	.219 ±.010	.625 ^{+0.000} / _{-.001}	.626 ^{+0.002} / _{+0.000}	.875 ^{+0.002} / _{+0.000}	.625 ^{+0.000} / _{-.002}	.873 ^{+0.000} / _{-.001}	.875 ^{+0.002} / _{+0.000}	3.67
HRU12-0.62-12V	5/8	7/8	1/8	.156 ^{+0.015} / _{+0.000}	.219 ±.010	.625 ^{+0.000} / _{-.001}	.626 ^{+0.002} / _{+0.000}	.875 ^{+0.002} / _{+0.000}	.625 ^{+0.000} / _{-.002}	.873 ^{+0.000} / _{-.001}	.875 ^{+0.002} / _{+0.000}	16.77
HRU12-0.68-12	11/16	15/16	1/8	.156 ^{+0.015} / _{+0.000}	.219 ±.010	.687 ^{+0.000} / _{-.001}	.688 ^{+0.002} / _{+0.000}	.938 ^{+0.002} / _{+0.000}	.687 ^{+0.000} / _{-.002}	.935 ^{+0.000} / _{-.001}	.938 ^{+0.002} / _{+0.000}	3.67
HRU12-0.75-12	3/4	1	1/8	.156 ^{+0.015} / _{+0.000}	.219 ±.010	.750 ^{+0.000} / _{-.001}	.751 ^{+0.002} / _{+0.000}	1.000 ^{+0.002} / _{+0.000}	.750 ^{+0.000} / _{-.002}	.998 ^{+0.000} / _{-.001}	1.000 ^{+0.002} / _{+0.000}	3.67
HRU12-0.75-12V	3/4	1	1/8	.156 ^{+0.015} / _{+0.000}	.219 ±.010	.750 ^{+0.000} / _{-.001}	.751 ^{+0.002} / _{+0.000}	1.000 ^{+0.002} / _{+0.000}	.750 ^{+0.000} / _{-.002}	.998 ^{+0.000} / _{-.001}	1.000 ^{+0.002} / _{+0.000}	23.11
HRU12-0.81-12	13/16	1-1/16	1/8	.156 ^{+0.015} / _{+0.000}	.219 ±.010	.812 ^{+0.000} / _{-.001}	.813 ^{+0.002} / _{+0.000}	1.063 ^{+0.002} / _{+0.000}	.812 ^{+0.000} / _{-.002}	1.060 ^{+0.000} / _{-.001}	1.063 ^{+0.002} / _{+0.000}	3.97
HRU12-0.87-12	7/8	1-1/8	1/8	.156 ^{+0.015} / _{+0.000}	.219 ±.010	.875 ^{+0.000} / _{-.001}	.876 ^{+0.002} / _{+0.000}	1.125 ^{+0.002} / _{+0.000}	.875 ^{+0.000} / _{-.002}	1.123 ^{+0.000} / _{-.001}	1.125 ^{+0.002} / _{+0.000}	3.97
HRU12-0.87-12V	7/8	1-1/8	1/8	.156 ^{+0.015} / _{+0.000}	.219 ±.010	.875 ^{+0.000} / _{-.001}	.876 ^{+0.002} / _{+0.000}	1.125 ^{+0.002} / _{+0.000}	.875 ^{+0.000} / _{-.002}	1.123 ^{+0.000} / _{-.001}	1.125 ^{+0.002} / _{+0.000}	24.02
HRU12-1.00-12	1	1-1/4	1/8	.156 ^{+0.015} / _{+0.000}	.219 ±.010	1.000 ^{+0.000} / _{-.001}	1.001 ^{+0.002} / _{+0.000}	1.250 ^{+0.002} / _{+0.000}	1.000 ^{+0.000} / _{-.002}	1.248 ^{+0.000} / _{-.001}	1.250 ^{+0.002} / _{+0.000}	3.97
HRU12-1.00-12V	1	1-1/4	1/8	.156 ^{+0.015} / _{+0.000}	.219 ±.010	1.000 ^{+0.000} / _{-.001}	1.001 ^{+0.002} / _{+0.000}	1.250 ^{+0.002} / _{+0.000}	1.000 ^{+0.000} / _{-.002}	1.248 ^{+0.000} / _{-.001}	1.250 ^{+0.002} / _{+0.000}	25.16
HRU12-1.12-12	1-1/8	1-3/8	1/8	.156 ^{+0.015} / _{+0.000}	.219 ±.010	1.125 ^{+0.000} / _{-.001}	1.126 ^{+0.002} / _{+0.000}	1.375 ^{+0.002} / _{+0.000}	1.125 ^{+0.000} / _{-.002}	1.373 ^{+0.000} / _{-.001}	1.375 ^{+0.002} / _{+0.000}	4.14
HRU12-1.25-12	1-1/4	1-1/2	1/8	.156 ^{+0.015} / _{+0.000}	.219 ±.010	1.250 ^{+0.000} / _{-.001}	1.251 ^{+0.002} / _{+0.000}	1.500 ^{+0.002} / _{+0.000}	1.250 ^{+0.000} / _{-.002}	1.498 ^{+0.000} / _{-.001}	1.500 ^{+0.002} / _{+0.000}	4.66
HRU12-1.37-12	1-3/8	1-5/8	1/8	.156 ^{+0.015} / _{+0.000}	.219 ±.010	1.375 ^{+0.000} / _{-.001}	1.376 ^{+0.002} / _{+0.000}	1.625 ^{+0.002} / _{+0.000}	1.375 ^{+0.000} / _{-.002}	1.623 ^{+0.000} / _{-.001}	1.625 ^{+0.002} / _{+0.000}	4.14
HRU12-1.50-12	1-1/2	1-3/4	1/8	.156 ^{+0.015} / _{+0.000}	.219 ±.010	1.500 ^{+0.000} / _{-.001}	1.501 ^{+0.002} / _{+0.000}	1.750 ^{+0.002} / _{+0.000}	1.500 ^{+0.000} / _{-.002}	1.748 ^{+0.000} / _{-.001}	1.750 ^{+0.002} / _{+0.000}	4.14
HRU12-1.75-12	1-3/4	2	1/8	.156 ^{+0.015} / _{+0.000}	.219 ±.010	1.750 ^{+0.000} / _{-.001}	1.751 ^{+0.002} / _{+0.000}	2.000 ^{+0.002} / _{+0.000}	1.750 ^{+0.000} / _{-.002}	1.998 ^{+0.000} / _{-.001}	2.000 ^{+0.002} / _{+0.000}	4.14
HRU12-2.00-12	2	2-1/4	1/8	.156 ^{+0.015} / _{+0.000}	.219 ±.010	2.000 ^{+0.000} / _{-.001}	2.001 ^{+0.002} / _{+0.000}	2.250 ^{+0.002} / _{+0.000}	2.000 ^{+0.000} / _{-.002}	2.248 ^{+0.000} / _{-.001}	2.250 ^{+0.002} / _{+0.000}	4.14
5/32" C/S												
HRU15-0.50-15	1/2	13/16	5/32	.188 ^{+0.015} / _{+0.000}	.250 ±.010	.500 ^{+0.000} / _{-.001}	.501 ^{+0.002} / _{+0.000}	.813 ^{+0.002} / _{+0.000}	.500 ^{+0.000} / _{-.002}	.810 ^{+0.000} / _{-.001}	.813 ^{+0.002} / _{+0.000}	\$4.14
HRU15-0.68-15	11/16	1	5/32	.188 ^{+0.015} / _{+0.000}	.250 ±.010	.687 ^{+0.000} / _{-.001}	.688 ^{+0.002} / _{+0.000}	1.000 ^{+0.002} / _{+0.000}	.687 ^{+0.000} / _{-.002}	.998 ^{+0.000} / _{-.001}	1.000 ^{+0.002} / _{+0.000}	4.28
HRU15-0.75-15	3/4	1-1/16	5/32	.188 ^{+0.015} / _{+0.000}	.250 ±.010	.750 ^{+0.000} / _{-.001}	.751 ^{+0.002} / _{+0.000}	1.063 ^{+0.002} / _{+0.000}	.750 ^{+0.000} / _{-.002}	1.060 ^{+0.000} / _{-.001}	1.063 ^{+0.002} / _{+0.000}	4.28
HRU15-0.93-15	15/16	1-1/4	5/32	.188 ^{+0.015} / _{+0.000}	.250 ±.010	.937 ^{+0.000} / _{-.001}	.938 ^{+0.002} / _{+0.000}	1.250 ^{+0.002} / _{+0.000}	.937 ^{+0.000} / _{-.002}	1.248 ^{+0.000} / _{-.001}	1.250 ^{+0.002} / _{+0.000}	4.28
HRU15-1.00-15	1	1-5/16	5/32	.188 ^{+0.015} / _{+0.000}	.250 ±.010	1.000 ^{+0.000} / _{-.001}	1.001 ^{+0.002} / _{+0.000}	1.313 ^{+0.002} / _{+0.000}	1.000 ^{+0.000} / _{-.002}	1.310 ^{+0.000} / _{-.001}	1.313 ^{+0.002} / _{+0.000}	4.38
HRU15-1.00-15V	1	1-5/16	5/32	.188 ^{+0.015} / _{+0.000}	.250 ±.010	1.000 ^{+0.000} / _{-.001}	1.001 ^{+0.002} / _{+0.000}	1.313 ^{+0.002} / _{+0.000}	1.000 ^{+0.000} / _{-.002}	1.310 ^{+0.000} / _{-.001}	1.313 ^{+0.002} / _{+0.000}	28.28
HRU15-1.06-15	1-1/16	1-3/8	5/32	.188 ^{+0.015} / _{+0.000}	.250 ±.010	1.062 ^{+0.000} / _{-.001}	1.063 ^{+0.002} / _{+0.000}	1.375 ^{+0.002} / _{+0.000}	1.062 ^{+0.000} / _{-.002}	1.373 ^{+0.000} / _{-.001}	1.375 ^{+0.002} / _{+0.000}	4.44
HRU15-1.18-15	1-3/16	1-1/2	5/32	.188 ^{+0.015} / _{+0.000}	.250 ±.010	1.187 ^{+0.000} / _{-.001}	1.188 ^{+0.002} / _{+0.000}	1.500 ^{+0.002} / _{+0.000}	1.187 ^{+0.000} / _{-.002}	1.498 ^{+0.000} / _{-.001}	1.500 ^{+0.002} / _{+0.000}	4.58

STYLE HRU HOMOGENEOUS U-SEALS

U-SEALS

Part Number	A Nom. ID	B Nom. OD	C Nom. Ht	D GROOVE WIDTH	D ₁ GROOVE WIDTH WITH BACKUP	E ROD DIAMETER	F THROAT DIAMETER	G HOUSING DIAMETER	H GROOVE DIAMETER	I PISTON DIAMETER	J BORE DIAMETER	List Price
HRU15-1.18-15V	1-3/16	1-1/2	5/32	.188 ^{+0.015} / _{+0.000}	.250 ±.010	1.187 ^{+0.000} / _{-.001}	1.188 ^{+0.002} / _{+0.000}	1.500 ^{+0.002} / _{+0.000}	1.187 ^{+0.000} / _{-.002}	1.498 ^{+0.000} / _{-.001}	1.500 ^{+0.002} / _{+0.000}	29.68
HRU15-1.25-15	1-1/4	1-9/16	5/32	.188 ^{+0.015} / _{+0.000}	.250 ±.010	1.250 ^{+0.000} / _{-.001}	1.251 ^{+0.002} / _{+0.000}	1.563 ^{+0.002} / _{+0.000}	1.250 ^{+0.000} / _{-.002}	1.560 ^{+0.000} / _{-.001}	1.563 ^{+0.002} / _{+0.000}	4.88
HRU15-1.31-15	1-5/16	1-5/8	5/32	.188 ^{+0.015} / _{+0.000}	.250 ±.010	1.312 ^{+0.000} / _{-.001}	1.313 ^{+0.002} / _{+0.000}	1.625 ^{+0.002} / _{+0.000}	1.312 ^{+0.000} / _{-.002}	1.623 ^{+0.000} / _{-.001}	1.625 ^{+0.002} / _{+0.000}	5.33
HRU15-1.37-15	1-3/8	1-11/16	5/32	.188 ^{+0.015} / _{+0.000}	.250 ±.010	1.375 ^{+0.000} / _{-.001}	1.376 ^{+0.002} / _{+0.000}	1.688 ^{+0.002} / _{+0.000}	1.375 ^{+0.000} / _{-.002}	1.685 ^{+0.000} / _{-.001}	1.688 ^{+0.002} / _{+0.000}	5.19
HRU15-1.37-15V	1-3/8	1-11/16	5/32	.188 ^{+0.015} / _{+0.000}	.250 ±.010	1.375 ^{+0.000} / _{-.001}	1.376 ^{+0.002} / _{+0.000}	1.688 ^{+0.002} / _{+0.000}	1.375 ^{+0.000} / _{-.002}	1.685 ^{+0.000} / _{-.001}	1.688 ^{+0.002} / _{+0.000}	32.51
HRU15-1.43-15	1-7/16	1-3/4	5/32	.188 ^{+0.015} / _{+0.000}	.250 ±.010	1.437 ^{+0.000} / _{-.001}	1.438 ^{+0.002} / _{+0.000}	1.750 ^{+0.002} / _{+0.000}	1.437 ^{+0.000} / _{-.002}	1.748 ^{+0.000} / _{-.001}	1.750 ^{+0.002} / _{+0.000}	5.19
HRU15-1.50-15	1-1/2	1-13/16	5/32	.188 ^{+0.015} / _{+0.000}	.250 ±.010	1.500 ^{+0.000} / _{-.001}	1.501 ^{+0.002} / _{+0.000}	1.813 ^{+0.002} / _{+0.000}	1.500 ^{+0.000} / _{-.002}	1.810 ^{+0.000} / _{-.001}	1.813 ^{+0.002} / _{+0.000}	5.32
3/16" C/S												
HRU18-0.62-18	5/8	1	3/16	.218 ^{+0.015} / _{+0.000}	.281 ±.010	.625 ^{+0.000} / _{-.002}	.626 ^{+0.002} / _{+0.000}	1.000 ^{+0.002} / _{+0.000}	.625 ^{+0.000} / _{-.002}	.998 ^{+0.000} / _{-.001}	1.000 ^{+0.002} / _{+0.000}	\$4.25
HRU18-0.75-18	3/4	1-1/8	3/16	.218 ^{+0.015} / _{+0.000}	.281 ±.010	.750 ^{+0.000} / _{-.002}	.751 ^{+0.002} / _{+0.000}	1.125 ^{+0.002} / _{+0.000}	.750 ^{+0.000} / _{-.002}	1.123 ^{+0.000} / _{-.001}	1.125 ^{+0.002} / _{+0.000}	4.25
HRU18-1.00-18	1	1-3/8	3/16	.218 ^{+0.015} / _{+0.000}	.281 ±.010	1.000 ^{+0.000} / _{-.002}	1.001 ^{+0.002} / _{+0.000}	1.375 ^{+0.002} / _{+0.000}	1.000 ^{+0.000} / _{-.002}	1.373 ^{+0.000} / _{-.001}	1.375 ^{+0.002} / _{+0.000}	4.45
HRU18-1.25-18	1-1/4	1-5/8	3/16	.218 ^{+0.015} / _{+0.000}	.281 ±.010	1.250 ^{+0.000} / _{-.002}	1.251 ^{+0.002} / _{+0.000}	1.625 ^{+0.002} / _{+0.000}	1.250 ^{+0.000} / _{-.002}	1.623 ^{+0.000} / _{-.001}	1.625 ^{+0.002} / _{+0.000}	4.45
HRU18-1.37-18	1-3/8	1-3/4	3/16	.218 ^{+0.015} / _{+0.000}	.281 ±.010	1.375 ^{+0.000} / _{-.002}	1.376 ^{+0.002} / _{+0.000}	1.750 ^{+0.002} / _{+0.000}	1.375 ^{+0.000} / _{-.002}	1.748 ^{+0.000} / _{-.001}	1.750 ^{+0.002} / _{+0.000}	4.92
HRU18-1.37-18V	1-3/8	1-3/4	3/16	.218 ^{+0.015} / _{+0.000}	.281 ±.010	1.375 ^{+0.000} / _{-.002}	1.376 ^{+0.002} / _{+0.000}	1.750 ^{+0.002} / _{+0.000}	1.375 ^{+0.000} / _{-.002}	1.748 ^{+0.000} / _{-.001}	1.750 ^{+0.002} / _{+0.000}	44.14
HRU18-1.50-18	1-1/2	1-7/8	3/16	.218 ^{+0.015} / _{+0.000}	.281 ±.010	1.500 ^{+0.000} / _{-.002}	1.501 ^{+0.002} / _{+0.000}	1.875 ^{+0.002} / _{+0.000}	1.500 ^{+0.000} / _{-.002}	1.873 ^{+0.000} / _{-.002}	1.875 ^{+0.002} / _{+0.000}	4.92
HRU18-1.62-18	1-5/8	2	3/16	.218 ^{+0.015} / _{+0.000}	.281 ±.010	1.625 ^{+0.000} / _{-.002}	1.626 ^{+0.002} / _{+0.000}	2.000 ^{+0.002} / _{+0.000}	1.625 ^{+0.000} / _{-.002}	1.998 ^{+0.000} / _{-.002}	2.000 ^{+0.002} / _{+0.000}	5.19
HRU18-1.62-18V	1-5/8	2	3/16	.218 ^{+0.015} / _{+0.000}	.281 ±.010	1.625 ^{+0.000} / _{-.002}	1.626 ^{+0.002} / _{+0.000}	2.000 ^{+0.002} / _{+0.000}	1.625 ^{+0.000} / _{-.002}	1.998 ^{+0.000} / _{-.002}	2.000 ^{+0.002} / _{+0.000}	37.90
HRU18-1.75-18	1-3/4	2-1/8	3/16	.218 ^{+0.015} / _{+0.000}	.281 ±.010	1.750 ^{+0.000} / _{-.002}	1.751 ^{+0.002} / _{+0.000}	2.125 ^{+0.002} / _{+0.000}	1.750 ^{+0.000} / _{-.002}	2.123 ^{+0.000} / _{-.002}	2.125 ^{+0.002} / _{+0.000}	5.19
HRU18-1.75-18V	1-3/4	2-1/8	3/16	.218 ^{+0.015} / _{+0.000}	.281 ±.010	1.750 ^{+0.000} / _{-.002}	1.751 ^{+0.002} / _{+0.000}	2.125 ^{+0.002} / _{+0.000}	1.750 ^{+0.000} / _{-.002}	2.123 ^{+0.000} / _{-.002}	2.125 ^{+0.002} / _{+0.000}	36.23
HRU18-1.87-18	1-7/8	2-1/4	3/16	.218 ^{+0.015} / _{+0.000}	.281 ±.010	1.875 ^{+0.000} / _{-.002}	1.876 ^{+0.002} / _{+0.000}	2.250 ^{+0.002} / _{+0.000}	1.875 ^{+0.000} / _{-.002}	2.248 ^{+0.000} / _{-.002}	2.250 ^{+0.002} / _{+0.000}	5.19
HRU18-2.00-18	2	2-3/8	3/16	.218 ^{+0.015} / _{+0.000}	.281 ±.010	2.000 ^{+0.000} / _{-.002}	2.001 ^{+0.002} / _{+0.000}	2.375 ^{+0.002} / _{+0.000}	2.000 ^{+0.000} / _{-.002}	2.373 ^{+0.000} / _{-.002}	2.375 ^{+0.002} / _{+0.000}	5.58
HRU18-2.00-18V	2	2-3/8	3/16	.218 ^{+0.015} / _{+0.000}	.281 ±.010	2.000 ^{+0.000} / _{-.002}	2.001 ^{+0.002} / _{+0.000}	2.375 ^{+0.002} / _{+0.000}	2.000 ^{+0.000} / _{-.002}	2.373 ^{+0.000} / _{-.002}	2.375 ^{+0.002} / _{+0.000}	37.11
HRU18-2.12-18	2-1/8	2-1/2	3/16	.218 ^{+0.015} / _{+0.000}	.281 ±.010	2.125 ^{+0.000} / _{-.002}	2.126 ^{+0.002} / _{+0.000}	2.500 ^{+0.002} / _{+0.000}	2.125 ^{+0.000} / _{-.002}	2.498 ^{+0.000} / _{-.002}	2.500 ^{+0.002} / _{+0.000}	5.58
HRU18-2.12-18V	2-1/8	2-1/2	3/16	.218 ^{+0.015} / _{+0.000}	.281 ±.010	2.125 ^{+0.000} / _{-.002}	2.126 ^{+0.002} / _{+0.000}	2.500 ^{+0.002} / _{+0.000}	2.125 ^{+0.000} / _{-.002}	2.498 ^{+0.000} / _{-.002}	2.500 ^{+0.002} / _{+0.000}	37.11
HRU18-2.25-18	2-1/4	2-5/8	3/16	.218 ^{+0.015} / _{+0.000}	.281 ±.010	2.250 ^{+0.000} / _{-.002}	2.251 ^{+0.002} / _{+0.000}	2.625 ^{+0.002} / _{+0.000}	2.250 ^{+0.000} / _{-.002}	2.624 ^{+0.000} / _{-.002}	2.625 ^{+0.002} / _{+0.000}	7.23
HRU18-2.37-18	2-3/8	2-3/4	3/16	.218 ^{+0.015} / _{+0.000}	.281 ±.010	2.375 ^{+0.000} / _{-.002}	2.376 ^{+0.002} / _{+0.000}	2.750 ^{+0.002} / _{+0.000}	2.375 ^{+0.000} / _{-.002}	2.748 ^{+0.000} / _{-.002}	2.750 ^{+0.002} / _{+0.000}	5.58
HRU18-2.50-18	2-1/2	2-7/8	3/16	.218 ^{+0.015} / _{+0.000}	.281 ±.010	2.500 ^{+0.000} / _{-.002}	2.501 ^{+0.002} / _{+0.000}	2.875 ^{+0.002} / _{+0.000}	2.500 ^{+0.000} / _{-.002}	2.874 ^{+0.000} / _{-.002}	2.875 ^{+0.002} / _{+0.000}	7.90
HRU18-2.62-18	2-5/8	3	3/16	.218 ^{+0.015} / _{+0.000}	.281 ±.010	2.625 ^{+0.000} / _{-.002}	2.626 ^{+0.003} / _{+0.000}	3.000 ^{+0.002} / _{+0.000}	2.625 ^{+0.000} / _{-.002}	2.998 ^{+0.000} / _{-.002}	3.000 ^{+0.002} / _{+0.000}	6.97
HRU18-2.87-18	2-7/8	3-1/4	3/16	.218 ^{+0.015} / _{+0.000}	.281 ±.010	2.875 ^{+0.000} / _{-.002}	2.876 ^{+0.003} / _{+0.000}	3.250 ^{+0.002} / _{+0.000}	2.875 ^{+0.000} / _{-.002}	3.248 ^{+0.000} / _{-.002}	3.250 ^{+0.002} / _{+0.000}	7.40
HRU18-3.00-18	3	3-3/8	3/16	.218 ^{+0.015} / _{+0.000}	.281 ±.010	3.000 ^{+0.000} / _{-.002}	3.001 ^{+0.003} / _{+0.000}	3.375 ^{+0.002} / _{+0.000}	3.000 ^{+0.000} / _{-.002}	3.373 ^{+0.000} / _{-.002}	3.375 ^{+0.002} / _{+0.000}	4.65
HRU18-3.25-18	3-1/4	3-5/8	3/16	.218 ^{+0.015} / _{+0.000}	.281 ±.010	3.250 ^{+0.000} / _{-.002}	3.251 ^{+0.003} / _{+0.000}	3.625 ^{+0.002} / _{+0.000}	3.250 ^{+0.000} / _{-.002}	3.623 ^{+0.000} / _{-.002}	3.625 ^{+0.002} / _{+0.000}	12.84
HRU18-3.37-18	3-3/8	3-3/4	3/16	.218 ^{+0.015} / _{+0.000}	.281 ±.010	3.375 ^{+0.000} / _{-.002}	3.376 ^{+0.003} / _{+0.000}	3.750 ^{+0.002} / _{+0.000}	3.375 ^{+0.000} / _{-.002}	3.748 ^{+0.000} / _{-.002}	3.750 ^{+0.002} / _{+0.000}	13.06

STYLE HRU HOMOGENEOUS U-SEALS



U-SEALS

Part Number	A Nom. ID	B Nom. OD	C Nom. Ht	D GROOVE WIDTH	D ₁ GROOVE WIDTH WITH BACKUP	E ROD DIAMETER	F THROAT DIAMETER	G HOUSING DIAMETER	H GROOVE DIAMETER	I PISTON DIAMETER	J BORE DIAMETER	List Price
7/32" C/S												
HRU21-2.50-21	2-1/2	2-15/16	7/32	.250 ^{+0.015} / _{+0.000}	.312 ±0.010	2.500 ^{+0.000} / _{-0.002}	2.501 ^{+0.002} / _{+0.000}	2.938 ^{+0.002} / _{+0.000}	2.500 ^{+0.000} / _{-0.002}	2.935 ^{+0.000} / _{-0.002}	2.938 ^{+0.002} / _{+0.000}	\$7.69
HRU21-2.50-21V	2-1/2	2-15/16	7/32	.250 ^{+0.015} / _{+0.000}	.312 ±0.010	2.500 ^{+0.000} / _{-0.002}	2.501 ^{+0.002} / _{+0.000}	2.938 ^{+0.002} / _{+0.000}	2.500 ^{+0.000} / _{-0.002}	2.935 ^{+0.000} / _{-0.002}	2.938 ^{+0.002} / _{+0.000}	40.82
HRU21-2.56-21	2-9/16	3	7/32	.250 ^{+0.015} / _{+0.000}	.312 ±0.010	2.562 ^{+0.000} / _{-0.002}	2.563 ^{+0.003} / _{+0.000}	3.000 ^{+0.002} / _{+0.000}	2.562 ^{+0.000} / _{-0.002}	2.998 ^{+0.000} / _{-0.002}	3.000 ^{+0.002} / _{+0.000}	8.07
HRU21-2.75-21	2-3/4	3-3/16	7/32	.250 ^{+0.015} / _{+0.000}	.312 ±0.010	2.750 ^{+0.000} / _{-0.002}	2.751 ^{+0.003} / _{+0.000}	3.188 ^{+0.002} / _{+0.000}	2.750 ^{+0.000} / _{-0.002}	3.185 ^{+0.000} / _{-0.002}	3.188 ^{+0.002} / _{+0.000}	8.90
HRU21-2.81-21	2-13/16	3-1/4	7/32	.250 ^{+0.015} / _{+0.000}	.312 ±0.010	2.812 ^{+0.000} / _{-0.002}	2.813 ^{+0.003} / _{+0.000}	3.250 ^{+0.002} / _{+0.000}	2.812 ^{+0.000} / _{-0.002}	3.248 ^{+0.000} / _{-0.002}	3.250 ^{+0.002} / _{+0.000}	9.34
HRU21-2.81-21V	2-13/16	3-1/4	7/32	.250 ^{+0.015} / _{+0.000}	.312 ±0.010	2.812 ^{+0.000} / _{-0.002}	2.813 ^{+0.003} / _{+0.000}	3.250 ^{+0.002} / _{+0.000}	2.812 ^{+0.000} / _{-0.002}	3.248 ^{+0.000} / _{-0.002}	3.250 ^{+0.002} / _{+0.000}	42.46
HRU21-3.00-21	3	3-7/16	7/32	.250 ^{+0.015} / _{+0.000}	.312 ±0.010	3.000 ^{+0.000} / _{-0.002}	3.001 ^{+0.003} / _{+0.000}	3.438 ^{+0.002} / _{+0.000}	3.000 ^{+0.000} / _{-0.002}	3.435 ^{+0.000} / _{-0.002}	3.438 ^{+0.002} / _{+0.000}	11.41
HRU21-3.00-21V	3	3-7/16	7/32	.250 ^{+0.015} / _{+0.000}	.312 ±0.010	3.000 ^{+0.000} / _{-0.002}	3.001 ^{+0.003} / _{+0.000}	3.438 ^{+0.002} / _{+0.000}	3.000 ^{+0.000} / _{-0.002}	3.435 ^{+0.000} / _{-0.002}	3.438 ^{+0.002} / _{+0.000}	45.66
HRU21-3.06-21	3-1/16	3-1/2	7/32	.250 ^{+0.015} / _{+0.000}	.312 ±0.010	3.062 ^{+0.000} / _{-0.002}	3.063 ^{+0.003} / _{+0.000}	3.500 ^{+0.002} / _{+0.000}	3.062 ^{+0.000} / _{-0.002}	3.498 ^{+0.000} / _{-0.002}	3.500 ^{+0.002} / _{+0.000}	13.06
HRU21-3.31-21	3-5/16	3-3/4	7/32	.250 ^{+0.015} / _{+0.000}	.312 ±0.010	3.312 ^{+0.000} / _{-0.002}	3.313 ^{+0.003} / _{+0.000}	3.750 ^{+0.002} / _{+0.000}	3.312 ^{+0.000} / _{-0.002}	3.748 ^{+0.000} / _{-0.002}	3.750 ^{+0.002} / _{+0.000}	14.38
1/4" C/S												
HRU25-1.37-25	1-3/8	1-7/8	1/4	.281 ^{+0.015} / _{+0.000}	.344 ±0.010	1.375 ^{+0.000} / _{-0.002}	1.376 ^{+0.002} / _{+0.000}	1.875 ^{+0.003} / _{+0.000}	1.375 ^{+0.000} / _{-0.003}	1.873 ^{+0.000} / _{-0.002}	1.875 ^{+0.003} / _{+0.000}	\$7.70
HRU25-1.75-25	1-3/4	2-1/4	1/4	.281 ^{+0.015} / _{+0.000}	.344 ±0.010	1.750 ^{+0.000} / _{-0.002}	1.751 ^{+0.002} / _{+0.000}	2.250 ^{+0.003} / _{+0.000}	1.750 ^{+0.000} / _{-0.003}	2.248 ^{+0.000} / _{-0.002}	2.250 ^{+0.003} / _{+0.000}	8.07
HRU25-2.00-25	2	2-1/2	1/4	.281 ^{+0.015} / _{+0.000}	.344 ±0.010	2.000 ^{+0.000} / _{-0.002}	2.001 ^{+0.002} / _{+0.000}	2.500 ^{+0.003} / _{+0.000}	2.000 ^{+0.000} / _{-0.003}	2.498 ^{+0.000} / _{-0.002}	2.500 ^{+0.003} / _{+0.000}	8.90
HRU25-2.50-25	2-1/2	3	1/4	.281 ^{+0.015} / _{+0.000}	.344 ±0.010	2.500 ^{+0.000} / _{-0.002}	2.501 ^{+0.002} / _{+0.000}	3.000 ^{+0.003} / _{+0.000}	2.500 ^{+0.000} / _{-0.003}	2.998 ^{+0.000} / _{-0.002}	3.000 ^{+0.003} / _{+0.000}	9.37
HRU25-2.75-25	2-3/4	3-1/4	1/4	.281 ^{+0.015} / _{+0.000}	.344 ±0.010	2.750 ^{+0.000} / _{-0.002}	2.751 ^{+0.003} / _{+0.000}	3.250 ^{+0.003} / _{+0.000}	2.750 ^{+0.000} / _{-0.003}	3.248 ^{+0.000} / _{-0.002}	3.250 ^{+0.003} / _{+0.000}	9.87
HRU25-2.75-25V	2-3/4	3-1/4	1/4	.281 ^{+0.015} / _{+0.000}	.344 ±0.010	2.750 ^{+0.000} / _{-0.002}	2.751 ^{+0.003} / _{+0.000}	3.250 ^{+0.003} / _{+0.000}	2.750 ^{+0.000} / _{-0.003}	3.248 ^{+0.000} / _{-0.002}	3.250 ^{+0.003} / _{+0.000}	48.82
HRU25-3.50-25	3-1/2	4	1/4	.281 ^{+0.015} / _{+0.000}	.344 ±0.010	3.500 ^{+0.000} / _{-0.002}	3.501 ^{+0.003} / _{+0.000}	4.000 ^{+0.003} / _{+0.000}	3.500 ^{+0.000} / _{-0.003}	3.998 ^{+0.000} / _{-0.002}	4.000 ^{+0.003} / _{+0.000}	9.76
HRU25-3.50-25V	3-1/2	4	1/4	.281 ^{+0.015} / _{+0.000}	.344 ±0.010	3.500 ^{+0.000} / _{-0.002}	3.501 ^{+0.003} / _{+0.000}	4.000 ^{+0.003} / _{+0.000}	3.500 ^{+0.000} / _{-0.003}	3.998 ^{+0.000} / _{-0.002}	4.000 ^{+0.003} / _{+0.000}	46.55
HRU25-3.75-25	3-3/4	4-1/4	1/4	.281 ^{+0.015} / _{+0.000}	.344 ±0.010	3.750 ^{+0.000} / _{-0.002}	3.751 ^{+0.003} / _{+0.000}	4.250 ^{+0.003} / _{+0.000}	3.750 ^{+0.000} / _{-0.003}	4.248 ^{+0.000} / _{-0.002}	4.250 ^{+0.003} / _{+0.000}	10.26
HRU25-4.00-25	4	4-1/2	1/4	.281 ^{+0.015} / _{+0.000}	.344 ±0.010	4.000 ^{+0.000} / _{-0.002}	4.001 ^{+0.003} / _{+0.000}	4.500 ^{+0.003} / _{+0.000}	4.000 ^{+0.000} / _{-0.003}	4.498 ^{+0.000} / _{-0.002}	4.500 ^{+0.003} / _{+0.000}	10.57
HRU25-4.00-25V	4	4-1/2	1/4	.281 ^{+0.015} / _{+0.000}	.344 ±0.010	4.000 ^{+0.000} / _{-0.002}	4.001 ^{+0.003} / _{+0.000}	4.500 ^{+0.003} / _{+0.000}	4.000 ^{+0.000} / _{-0.003}	4.498 ^{+0.000} / _{-0.002}	4.500 ^{+0.003} / _{+0.000}	58.34
HRU25-4.50-25	4-1/2	5	1/4	.281 ^{+0.015} / _{+0.000}	.344 ±0.010	4.500 ^{+0.000} / _{-0.002}	4.501 ^{+0.003} / _{+0.000}	5.000 ^{+0.003} / _{+0.000}	4.500 ^{+0.000} / _{-0.003}	4.998 ^{+0.000} / _{-0.002}	5.000 ^{+0.003} / _{+0.000}	11.65
HRU25-4.50-25V	4-1/2	5	1/4	.281 ^{+0.015} / _{+0.000}	.344 ±0.010	4.500 ^{+0.000} / _{-0.002}	4.501 ^{+0.003} / _{+0.000}	5.000 ^{+0.003} / _{+0.000}	4.500 ^{+0.000} / _{-0.003}	4.998 ^{+0.000} / _{-0.002}	5.000 ^{+0.003} / _{+0.000}	65.72
HRU25-4.75-25	4-3/4	5-1/4	1/4	.281 ^{+0.015} / _{+0.000}	.344 ±0.010	4.750 ^{+0.000} / _{-0.002}	4.751 ^{+0.003} / _{+0.000}	5.250 ^{+0.003} / _{+0.000}	4.750 ^{+0.000} / _{-0.003}	5.248 ^{+0.000} / _{-0.002}	5.250 ^{+0.003} / _{+0.000}	20.74
HRU25-5.50-25	5-1/2	6	1/4	.281 ^{+0.015} / _{+0.000}	.344 ±0.010	5.500 ^{+0.000} / _{-0.002}	5.501 ^{+0.003} / _{+0.000}	6.000 ^{+0.003} / _{+0.000}	5.500 ^{+0.000} / _{-0.003}	5.998 ^{+0.000} / _{-0.003}	6.000 ^{+0.003} / _{+0.000}	22.24
HRU25-5.50-25V	5-1/2	6	1/4	.281 ^{+0.015} / _{+0.000}	.344 ±0.010	5.500 ^{+0.000} / _{-0.002}	5.501 ^{+0.003} / _{+0.000}	6.000 ^{+0.003} / _{+0.000}	5.500 ^{+0.000} / _{-0.003}	5.998 ^{+0.000} / _{-0.003}	6.000 ^{+0.003} / _{+0.000}	151.17
HRU25-5.50-37	5-1/2	6	3/8	.406 ^{+0.015} / _{+0.000}	.469 ±0.010	5.500 ^{+0.000} / _{-0.002}	5.501 ^{+0.003} / _{+0.000}	6.000 ^{+0.003} / _{+0.000}	5.500 ^{+0.000} / _{-0.003}	5.998 ^{+0.000} / _{-0.003}	6.000 ^{+0.003} / _{+0.000}	22.24
9/32" C/S												
HRU28-4.43-28	4-7/16	5	9/32	.312 ^{+0.015} / _{+0.000}	.375 ±0.010	4.437 ^{+0.000} / _{-0.002}	4.438 ^{+0.003} / _{+0.000}	5.000 ^{+0.003} / _{+0.000}	4.437 ^{+0.000} / _{-0.003}	4.998 ^{+0.000} / _{-0.002}	5.000 ^{+0.003} / _{+0.000}	\$21.04
HRU28-4.43-28V	4-7/16	5	9/32	.312 ^{+0.015} / _{+0.000}	.375 ±0.010	4.437 ^{+0.000} / _{-0.002}	4.438 ^{+0.003} / _{+0.000}	5.000 ^{+0.003} / _{+0.000}	4.437 ^{+0.000} / _{-0.003}	4.998 ^{+0.000} / _{-0.002}	5.000 ^{+0.003} / _{+0.000}	68.03



STYLE HRU HOMOGENEOUS U-SEALS

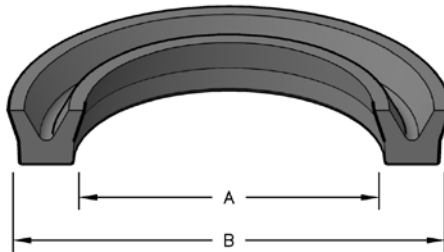
U-SEALS

Part Number	A Nom. ID	B Nom. OD	C Nom. Ht	D GROOVE WIDTH	D ₁ GROOVE WIDTH WITH BACKUP	E ROD DIAMETER	F THROAT DIAMETER	G HOUSING DIAMETER	H GROOVE DIAMETER	I PISTON DIAMETER	J BORE DIAMETER	List Price
HRU28-4.56-28	4-9/16	5-1/8	9/32	.312 ^{+0.015} / _{+0.000}	.375 ±0.010	4.562 ^{+0.000} / _{-0.002}	4.563 ^{+0.003} / _{+0.000}	5.125 ^{+0.003} / _{+0.000}	4.562 ^{+0.000} / _{-0.003}	5.123 ^{+0.000} / _{-0.002}	5.125 ^{+0.003} / _{+0.000}	49.22
HRU28-5.00-28	5	5-9/16	9/32	.312 ^{+0.015} / _{+0.000}	.375 ±0.010	5.000 ^{+0.000} / _{-0.002}	5.001 ^{+0.003} / _{+0.000}	5.563 ^{+0.003} / _{+0.000}	5.000 ^{+0.000} / _{-0.003}	5.560 ^{+0.000} / _{-0.003}	5.563 ^{+0.003} / _{+0.000}	40.75
HRU28-5.00-28V	5	5-9/16	9/32	.312 ^{+0.015} / _{+0.000}	.375 ±0.010	5.000 ^{+0.000} / _{-0.002}	5.001 ^{+0.003} / _{+0.000}	5.563 ^{+0.003} / _{+0.000}	5.000 ^{+0.000} / _{-0.003}	5.560 ^{+0.000} / _{-0.003}	5.563 ^{+0.003} / _{+0.000}	75.45
HRU28-5.43-28	5-7/16	6	9/32	.312 ^{+0.015} / _{+0.000}	.375 ±0.010	5.437 ^{+0.000} / _{-0.002}	5.438 ^{+0.003} / _{+0.000}	6.000 ^{+0.003} / _{+0.000}	5.437 ^{+0.000} / _{-0.003}	5.998 ^{+0.000} / _{-0.003}	6.000 ^{+0.003} / _{+0.000}	24.15
HRU28-5.43-28V	5-7/16	6	9/32	.312 ^{+0.015} / _{+0.000}	.375 ±0.010	5.437 ^{+0.000} / _{-0.002}	5.438 ^{+0.003} / _{+0.000}	6.000 ^{+0.003} / _{+0.000}	5.437 ^{+0.000} / _{-0.003}	5.998 ^{+0.000} / _{-0.003}	6.000 ^{+0.003} / _{+0.000}	82.67
HRU28-6.43-28	6-7/16	7	9/32	.312 ^{+0.015} / _{+0.000}	.375 ±0.010	6.437 ^{+0.000} / _{-0.002}	6.438 ^{+0.003} / _{+0.000}	7.000 ^{+0.003} / _{+0.000}	6.437 ^{+0.000} / _{-0.003}	6.998 ^{+0.000} / _{-0.003}	7.000 ^{+0.003} / _{+0.000}	16.27
5/16" C/S												
HRU31-2.87-31	2-7/8	3-1/2	5/16	.344 ^{+0.015} / _{+0.000}	.406 ±0.010	2.875 ^{+0.000} / _{-0.002}	2.876 ^{+0.003} / _{+0.000}	3.500 ^{+0.004} / _{+0.000}	2.875 ^{+0.000} / _{-0.004}	3.498 ^{+0.000} / _{-0.002}	3.500 ^{+0.003} / _{+0.000}	\$15.97
HRU31-4.37-31	4-3/8	5	5/16	.344 ^{+0.015} / _{+0.000}	.406 ±0.010	4.375 ^{+0.000} / _{-0.002}	4.376 ^{+0.003} / _{+0.000}	5.000 ^{+0.004} / _{+0.000}	4.375 ^{+0.000} / _{-0.004}	4.998 ^{+0.000} / _{-0.002}	5.000 ^{+0.003} / _{+0.000}	14.62
HRU31-5.37-31	5-3/8	6	5/16	.344 ^{+0.015} / _{+0.000}	.406 ±0.010	5.375 ^{+0.000} / _{-0.002}	5.376 ^{+0.003} / _{+0.000}	6.000 ^{+0.004} / _{+0.000}	5.375 ^{+0.000} / _{-0.004}	5.998 ^{+0.000} / _{-0.003}	6.000 ^{+0.003} / _{+0.000}	21.89
HRU31-5.37-31V	5-3/8	6	5/16	.344 ^{+0.015} / _{+0.000}	.406 ±0.010	5.375 ^{+0.000} / _{-0.002}	5.376 ^{+0.003} / _{+0.000}	6.000 ^{+0.004} / _{+0.000}	5.375 ^{+0.000} / _{-0.004}	5.998 ^{+0.000} / _{-0.003}	6.000 ^{+0.003} / _{+0.000}	94.86
HRU31-5.50-31	5-1/2	6-1/8	5/16	.344 ^{+0.015} / _{+0.000}	.406 ±0.010	5.500 ^{+0.000} / _{-0.002}	5.501 ^{+0.003} / _{+0.000}	6.125 ^{+0.004} / _{+0.000}	5.500 ^{+0.000} / _{-0.004}	6.123 ^{+0.000} / _{-0.003}	6.125 ^{+0.003} / _{+0.000}	28.78
HRU31-5.50-31V	5-1/2	6-1/8	5/16	.344 ^{+0.015} / _{+0.000}	.406 ±0.010	5.500 ^{+0.000} / _{-0.002}	5.501 ^{+0.003} / _{+0.000}	6.125 ^{+0.004} / _{+0.000}	5.500 ^{+0.000} / _{-0.004}	6.123 ^{+0.000} / _{-0.003}	6.125 ^{+0.003} / _{+0.000}	124.66
HRU31-6.37-31	6-3/8	7	5/16	.344 ^{+0.015} / _{+0.000}	.406 ±0.010	6.375 ^{+0.000} / _{-0.002}	6.376 ^{+0.003} / _{+0.000}	7.000 ^{+0.004} / _{+0.000}	6.375 ^{+0.000} / _{-0.004}	6.998 ^{+0.000} / _{-0.003}	7.000 ^{+0.003} / _{+0.000}	34.63
HRU31-6.37-31V	6-3/8	7	5/16	.344 ^{+0.015} / _{+0.000}	.406 ±0.010	6.375 ^{+0.000} / _{-0.002}	6.376 ^{+0.003} / _{+0.000}	7.000 ^{+0.004} / _{+0.000}	6.375 ^{+0.000} / _{-0.004}	6.998 ^{+0.000} / _{-0.003}	7.000 ^{+0.003} / _{+0.000}	131.48
HRU31-7.37-31	7-3/8	8	5/16	.344 ^{+0.015} / _{+0.000}	.406 ±0.010	7.375 ^{+0.000} / _{-0.002}	7.376 ^{+0.003} / _{+0.000}	8.000 ^{+0.004} / _{+0.000}	7.375 ^{+0.000} / _{-0.004}	7.998 ^{+0.000} / _{-0.004}	8.000 ^{+0.003} / _{+0.000}	42.89
HRU31-7.37-31V	7-3/8	8	5/16	.344 ^{+0.015} / _{+0.000}	.406 ±0.010	7.375 ^{+0.000} / _{-0.002}	7.376 ^{+0.003} / _{+0.000}	8.000 ^{+0.004} / _{+0.000}	7.375 ^{+0.000} / _{-0.004}	7.998 ^{+0.000} / _{-0.004}	8.000 ^{+0.003} / _{+0.000}	201.54
11/32" C/S												
HRU34-9.31-34	9-5/16	10	11/32	.375 ^{+0.015} / _{+0.000}	.438 ±0.010	9.312 ^{+0.000} / _{-0.002}	9.314 ^{+0.004} / _{+0.000}	10.000 ^{+0.004} / _{+0.000}	9.312 ^{+0.000} / _{-0.004}	9.998 ^{+0.000} / _{-0.004}	10.000 ^{+0.003} / _{+0.000}	\$58.82
HRU34-9.31-34V	9-5/16	10	11/32	.375 ^{+0.015} / _{+0.000}	.438 ±0.010	9.312 ^{+0.000} / _{-0.002}	9.314 ^{+0.004} / _{+0.000}	10.000 ^{+0.004} / _{+0.000}	9.312 ^{+0.000} / _{-0.004}	9.998 ^{+0.000} / _{-0.004}	10.000 ^{+0.003} / _{+0.000}	255.86
3/8" C/S												
HRU37-2.50-37	2-1/2	3-1/4	3/8	.406 ^{+0.015} / _{+0.000}	.469 ±0.010	2.500 ^{+0.000} / _{-0.002}	2.501 ^{+0.002} / _{+0.000}	3.250 ^{+0.005} / _{+0.000}	2.500 ^{+0.000} / _{-0.005}	3.248 ^{+0.000} / _{-0.002}	3.250 ^{+0.004} / _{+0.000}	\$10.51
HRU37-2.75-37	2-3/4	3-1/2	3/8	.406 ^{+0.015} / _{+0.000}	.469 ±0.010	2.750 ^{+0.000} / _{-0.002}	2.751 ^{+0.003} / _{+0.000}	3.500 ^{+0.005} / _{+0.000}	2.750 ^{+0.000} / _{-0.005}	3.498 ^{+0.000} / _{-0.002}	3.500 ^{+0.004} / _{+0.000}	11.00
HRU37-9.25-37	9-1/4	10	3/8	.406 ^{+0.015} / _{+0.000}	.469 ±0.010	9.250 ^{+0.000} / _{-0.002}	9.252 ^{+0.004} / _{+0.000}	10.000 ^{+0.005} / _{+0.000}	9.250 ^{+0.000} / _{-0.005}	9.998 ^{+0.000} / _{-0.004}	10.000 ^{+0.004} / _{+0.000}	59.89
HRU37-11.25-37	11-1/4	12	3/8	.406 ^{+0.015} / _{+0.000}	.469 ±0.010	11.250 ^{+0.000} / _{-0.002}	11.252 ^{+0.004} / _{+0.000}	12.000 ^{+0.005} / _{+0.000}	11.250 ^{+0.000} / _{-0.005}	11.998 ^{+0.000} / _{-0.004}	12.000 ^{+0.004} / _{+0.000}	101.69
13/32" C/S												
HRU40-13.18-40	13-3/16	14	13/32	.438 ^{+0.015} / _{+0.000}	.500 ±0.010	13.187 ^{+0.000} / _{-0.002}	13.189 ^{+0.004} / _{+0.000}	14.000 ^{+0.005} / _{+0.000}	13.187 ^{+0.000} / _{-0.005}	13.998 ^{+0.000} / _{-0.004}	14.000 ^{+0.004} / _{+0.000}	\$75.94
1/2" C/S												
HRU50-9.00-50	9	10	1/2	.531 ^{+0.015} / _{+0.000}	.594 ±0.010	9.000 ^{+0.000} / _{-0.003}	9.002 ^{+0.004} / _{+0.000}	10.000 ^{+0.007} / _{+0.000}	9.000 ^{+0.000} / _{-0.007}	9.998 ^{+0.000} / _{-0.004}	10.000 ^{+0.005} / _{+0.000}	\$98.07
HRU50-11.00-50	11	12	1/2	.531 ^{+0.015} / _{+0.000}	.594 ±0.010	11.000 ^{+0.000} / _{-0.003}	11.002 ^{+0.004} / _{+0.000}	12.000 ^{+0.007} / _{+0.000}	11.000 ^{+0.000} / _{-0.007}	11.998 ^{+0.000} / _{-0.004}	12.000 ^{+0.005} / _{+0.000}	128.22

STYLE HSU HOMOGENEOUS U-SEALS



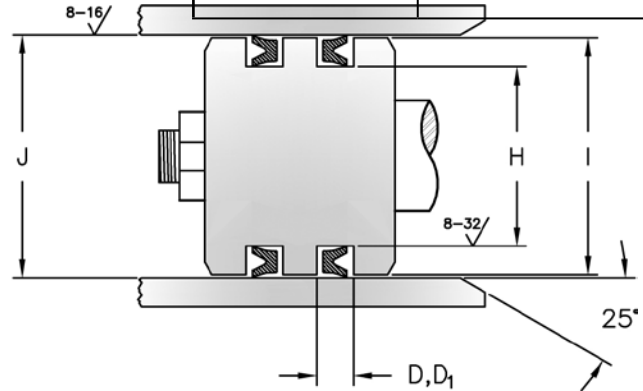
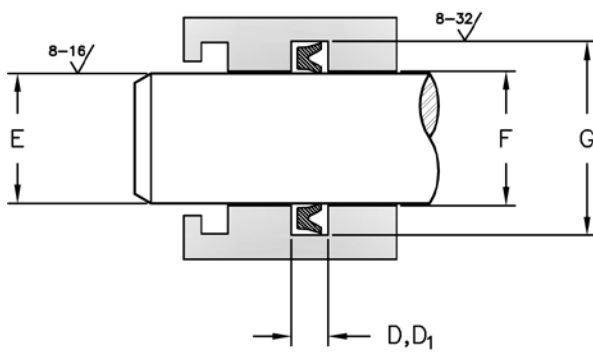
Style HSU u-seals are precision molded from 80A Durometer Buna-N rubber or 90A Fluorocarbon (suffix "V") -- 80A Duro Rubber for abrasion resistance and 90A Duro Fluorocarbon for heat resistance. These seals are commonly found in industrial cylinders as piston, rod and cushion seals.



HERCULES PART NUMBERS

HSU 12 - 0.75 - 12 - 80D
 Type of Seal Cross Section Inside Diameter Height Durometer

SEAL INFORMATION	
MATERIAL	80A BUNA-N RUBBER 90A FLUOROCARBON
TEMPERATURE RANGE	BUNA-N: -40° TO +250° F FC: -20° TO +400° F
PRESSURE RANGE	0 TO 2,000 PSI
SPEED	3 FT/SEC



U-SEALS

Part Number	A Nom. ID	B Nom. OD	C Nom. Ht	D GROOVE WIDTH	D ₁ GROOVE WIDTH WITH BACKUP	E ROD DIAMETER	F THROAT DIAMETER	G HOUSING DIAMETER	H GROOVE DIAMETER	I PISTON DIAMETER	J BORE DIAMETER	List Price
1/8" C/S												
HSU12-0.75-12-80D	3/4	1	1/8	.156 ^{+0.015} / _{+0.000}	.219 ±0.010	.750 ^{+0.000} / _{-0.001}	.751 ^{+0.002} / _{+0.000}	1.000 ^{+0.002} / _{+0.000}	.750 ^{+0.000} / _{-0.002}	.998 ^{+0.000} / _{-0.001}	1.000 ^{+0.002} / _{+0.000}	\$3.67
HSU12-0.75-12-90DV	3/4	1	1/8	.156 ^{+0.015} / _{+0.000}	.219 ±0.010	.750 ^{+0.000} / _{-0.001}	.751 ^{+0.002} / _{+0.000}	1.000 ^{+0.002} / _{+0.000}	.750 ^{+0.000} / _{-0.002}	.998 ^{+0.000} / _{-0.001}	1.000 ^{+0.002} / _{+0.000}	23.86
5/32" C/S												
HSU15-1.18-15-80D	1-3/16	1-1/2	5/32	.188 ^{+0.015} / _{+0.000}	.250 ±0.010	1.187 ^{+0.000} / _{-0.001}	1.188 ^{+0.002} / _{+0.000}	1.500 ^{+0.002} / _{+0.000}	1.187 ^{+0.000} / _{-0.002}	1.498 ^{+0.000} / _{-0.001}	1.500 ^{+0.002} / _{+0.000}	\$4.58
HSU15-1.18-15-90DV	1-3/16	1-1/2	5/32	.188 ^{+0.015} / _{+0.000}	.250 ±0.010	1.187 ^{+0.000} / _{-0.001}	1.188 ^{+0.002} / _{+0.000}	1.500 ^{+0.002} / _{+0.000}	1.187 ^{+0.000} / _{-0.002}	1.498 ^{+0.000} / _{-0.001}	1.500 ^{+0.002} / _{+0.000}	28.20
HSU15-1.25-15-80D	1-1/4	1-9/16	5/32	.188 ^{+0.015} / _{+0.000}	.250 ±0.010	1.250 ^{+0.000} / _{-0.001}	1.251 ^{+0.002} / _{+0.000}	1.563 ^{+0.002} / _{+0.000}	1.250 ^{+0.000} / _{-0.002}	1.560 ^{+0.000} / _{-0.001}	1.563 ^{+0.002} / _{+0.000}	4.88
HSU15-1.25-15-90DV	1-1/4	1-9/16	5/32	.188 ^{+0.015} / _{+0.000}	.250 ±0.010	1.250 ^{+0.000} / _{-0.001}	1.251 ^{+0.002} / _{+0.000}	1.563 ^{+0.002} / _{+0.000}	1.250 ^{+0.000} / _{-0.002}	1.560 ^{+0.000} / _{-0.001}	1.563 ^{+0.002} / _{+0.000}	39.81
3/16" C/S												
HSU18-1.62-18-80D	1-5/8	2	3/16	.218 ^{+0.015} / _{+0.000}	.281 ±0.010	1.625 ^{+0.000} / _{-0.002}	1.626 ^{+0.002} / _{+0.000}	2.000 ^{+0.002} / _{+0.000}	1.625 ^{+0.000} / _{-0.002}	1.998 ^{+0.000} / _{-0.002}	2.000 ^{+0.002} / _{+0.000}	\$5.19
HSU18-1.62-18-90DV	1-5/8	2	3/16	.218 ^{+0.015} / _{+0.000}	.281 ±0.010	1.625 ^{+0.000} / _{-0.002}	1.626 ^{+0.002} / _{+0.000}	2.000 ^{+0.002} / _{+0.000}	1.625 ^{+0.000} / _{-0.002}	1.998 ^{+0.000} / _{-0.002}	2.000 ^{+0.002} / _{+0.000}	72.47
HSU18-2.12-18-80D	2-1/8	2-1/2	3/16	.218 ^{+0.015} / _{+0.000}	.281 ±0.010	2.125 ^{+0.000} / _{-0.002}	2.126 ^{+0.002} / _{+0.000}	2.500 ^{+0.002} / _{+0.000}	2.125 ^{+0.000} / _{-0.002}	2.498 ^{+0.000} / _{-0.002}	2.500 ^{+0.002} / _{+0.000}	5.58
HSU18-2.12-18-90DV	2-1/8	2-1/2	3/16	.218 ^{+0.015} / _{+0.000}	.281 ±0.010	2.125 ^{+0.000} / _{-0.002}	2.126 ^{+0.002} / _{+0.000}	2.500 ^{+0.002} / _{+0.000}	2.125 ^{+0.000} / _{-0.002}	2.498 ^{+0.000} / _{-0.002}	2.500 ^{+0.002} / _{+0.000}	77.03

FORMERLY LISTED REPAIR PARTS ARE AVAILABLE ONLINE AT WWW.HERCULESUS.COM OR BY CONTACTING YOUR REGIONAL HERCULES SALES TEAM.



STYLE HSU HOMOGENEOUS U-SEALS

U-SEALS

Part Number	A Nom. ID	B Nom. OD	C Nom. Ht	D GROOVE WIDTH	D ₁ GROOVE WIDTH WITH BACKUP	E ROD DIAMETER	F THROAT DIAMETER	G HOUSING DIAMETER	H GROOVE DIAMETER	I PISTON DIAMETER	J BORE DIAMETER	List Price
7/32" C/S												
HSU21-2.81-21-80D	2-13/16	3-1/4	7/32	.250 +.015 +0.000	.312 ±0.010	2.812 +.000 -0.002	2.813 +.003 +0.000	3.250 +.002 +0.000	2.812 +.000 -0.002	3.248 +.000 -0.002	3.250 +.002 +0.000	\$9.34
HSU21-2.81-21-90DV	2-13/16	3-1/4	7/32	.250 +.015 +0.000	.312 ±0.010	2.812 +.000 -0.002	2.813 +.003 +0.000	3.250 +.002 +0.000	2.812 +.000 -0.002	3.248 +.000 -0.002	3.250 +.002 +0.000	74.61
1/4" C/S												
HSU25-3.50-25-80D	3-1/2	4	1/4	.281 +.015 +0.000	.344 ±0.010	3.500 +.000 -0.002	3.501 +.003 +0.000	4.000 +.003 +0.000	3.500 +.000 -0.003	3.998 +.000 -0.002	4.000 +.003 +0.000	\$9.76
HSU25-3.50-25-90DV	3-1/2	4	1/4	.281 +.015 +0.000	.344 ±0.010	3.500 +.000 -0.002	3.501 +.003 +0.000	4.000 +.003 +0.000	3.500 +.000 -0.003	3.998 +.000 -0.002	4.000 +.003 +0.000	99.30
HSU25-4.50-25-80D	4-1/2	5	1/4	.281 +.015 +0.000	.344 ±0.010	4.500 +.000 -0.002	4.501 +.003 +0.000	5.000 +.003 +0.000	4.500 +.000 -0.003	4.998 +.000 -0.002	5.000 +.003 +0.000	11.65
HSU25-4.50-25-90DV	4-1/2	5	1/4	.281 +.015 +0.000	.344 ±0.010	4.500 +.000 -0.002	4.501 +.003 +0.000	5.000 +.003 +0.000	4.500 +.000 -0.003	4.998 +.000 -0.002	5.000 +.003 +0.000	65.72
9/32" C/S												
HSU28-4.43-28-80D	4-7/16	5	9/32	.312 +.015 +0.000	.375 ±0.010	4.437 +.000 -0.002	4.438 +.003 +0.000	5.000 +.003 +0.000	4.437 +.000 -0.003	4.998 +.000 -0.002	5.000 +.003 +0.000	\$21.04
HSU28-4.43-28-90DV	4-7/16	5	9/32	.312 +.015 +0.000	.375 ±0.010	4.437 +.000 -0.002	4.438 +.003 +0.000	5.000 +.003 +0.000	4.437 +.000 -0.003	4.998 +.000 -0.002	5.000 +.003 +0.000	101.04
HSU28-5.43-28-80D	5-7/16	6	9/32	.312 +.015 +0.000	.375 ±0.010	5.437 +.000 -0.002	5.438 +.003 +0.000	6.000 +.003 +0.000	5.437 +.000 -0.003	5.998 +.000 -0.003	6.000 +.003 +0.000	24.15
HSU28-5.43-28-90DV	5-7/16	6	9/32	.312 +.015 +0.000	.375 ±0.010	5.437 +.000 -0.002	5.438 +.003 +0.000	6.000 +.003 +0.000	5.437 +.000 -0.003	5.998 +.000 -0.003	6.000 +.003 +0.000	82.68
HSU28-6.43-28-80D	6-7/16	7	9/32	.312 +.015 +0.000	.375 ±0.010	6.437 +.000 -0.002	6.438 +.003 +0.000	7.000 +.003 +0.000	6.437 +.000 -0.003	6.998 +.000 -0.003	7.000 +.003 +0.000	24.23
HSU28-6.43-28-90DV	6-7/16	7	9/32	.312 +.015 +0.000	.375 ±0.010	6.437 +.000 -0.002	6.438 +.003 +0.000	7.000 +.003 +0.000	6.437 +.000 -0.003	6.998 +.000 -0.003	7.000 +.003 +0.000	148.52
5/16" C/S												
HSU31-5.37-31-80D	5-3/8	6	5/16	.344 +.015 +0.000	.406 ±0.010	5.375 +.000 -0.002	5.376 +.003 +0.000	6.000 +.004 +0.000	5.375 +.000 -0.004	5.998 +.000 -0.003	6.000 +.003 +0.000	\$21.89
HSU31-5.37-31-90DV	5-3/8	6	5/16	.344 +.015 +0.000	.406 ±0.010	5.375 +.000 -0.002	5.376 +.003 +0.000	6.000 +.004 +0.000	5.375 +.000 -0.004	5.998 +.000 -0.003	6.000 +.003 +0.000	106.30
HSU31-6.37-31-80D	6-3/8	7	5/16	.344 +.015 +0.000	.406 ±0.010	6.375 +.000 -0.002	6.376 +.003 +0.000	7.000 +.004 +0.000	6.375 +.000 -0.004	6.998 +.000 -0.003	7.000 +.003 +0.000	34.63
HSU31-6.37-31-90DV	6-3/8	7	5/16	.344 +.015 +0.000	.406 ±0.010	6.375 +.000 -0.002	6.376 +.003 +0.000	7.000 +.004 +0.000	6.375 +.000 -0.004	6.998 +.000 -0.003	7.000 +.003 +0.000	131.48
HSU31-7.37-31-80D	7-3/8	8	5/16	.344 +.015 +0.000	.406 ±0.010	7.375 +.000 -0.002	7.376 +.003 +0.000	8.000 +.004 +0.000	7.375 +.000 -0.004	7.998 +.000 -0.004	8.000 +.003 +0.000	42.89
HSU31-7.37-31-90DV	7-3/8	8	5/16	.344 +.015 +0.000	.406 ±0.010	7.375 +.000 -0.002	7.376 +.003 +0.000	8.000 +.004 +0.000	7.375 +.000 -0.004	7.998 +.000 -0.004	8.000 +.003 +0.000	210.36
11/32" C/S												
HSU34-9.31-34-80D	9-5/16	10	11/32	.375 +.015 +0.000	.438 ±0.010	9.312 +.000 -0.002	9.314 +.003 +0.000	10.000 +.004 +0.000	9.312 +.000 -0.004	9.998 +.000 -0.004	10.000 +.003 +0.000	\$58.82
HSU34-9.31-34-90DV	9-5/16	10	11/32	.375 +.015 +0.000	.438 ±0.010	9.312 +.000 -0.002	9.314 +.003 +0.000	10.000 +.004 +0.000	9.312 +.000 -0.004	9.998 +.000 -0.004	10.000 +.003 +0.000	255.86
3/8" C/S												
HSU37-11.25-37-80D	11-1/4	12	3/8	.406 +.015 +0.000	.469 ±0.010	11.250 +.000 -0.002	11.252 +.004 +0.000	12.000 +.005 +0.000	11.250 +.000 -0.005	11.998 +.000 -0.004	12.000 +.004 +0.000	\$101.69
HSU37-11.25-37-90DV	11-1/4	12	3/8	.406 +.015 +0.000	.469 ±0.010	11.250 +.000 -0.002	11.252 +.004 +0.000	12.000 +.005 +0.000	11.250 +.000 -0.005	11.998 +.000 -0.004	12.000 +.004 +0.000	305.94
13/32" C/S												
HSU40-13.18-40-80D	13-3/16	14	13/32	.438 +.015 +0.000	.500 ±0.010	13.187 +.000 -0.002	13.189 +.004 +0.000	14.000 +.005 +0.000	13.187 +.000 -0.005	13.998 +.000 -0.004	14.000 +.004 +0.000	\$54.74
HSU40-13.18-40-90DV	13-3/16	14	13/32	.438 +.015 +0.000	.500 ±0.010	13.187 +.000 -0.002	13.189 +.004 +0.000	14.000 +.005 +0.000	13.187 +.000 -0.005	13.998 +.000 -0.004	14.000 +.004 +0.000	414.54
1/2" C/S												
HSU50-11.00-50-80D	11	12	1/2	.531 +.015 +0.000	.594 ±0.010	11.000 +.000 -0.003	11.002 +.004 +0.000	12.000 +.007 +0.000	11.000 +.000 -0.007	11.998 +.000 -0.004	12.000 +.005 +0.000	\$128.22

STYLE HSU HOMOGENEOUS U-SEALS

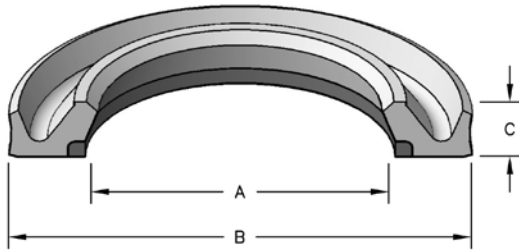


Part Number	A Nom. ID	B Nom. OD	C Nom. Ht	D GROOVE WIDTH	D ₁ GROOVE WIDTH WITH BACKUP	E ROD DIAMETER	F THROAT DIAMETER	G HOUSING DIAMETER	H GROOVE DIAMETER	I PISTON DIAMETER	J BORE DIAMETER	List Price
HSU50-11.00-50-90DV	11	12	1/2	.531 ⁺⁰¹⁵ / ₊₀₀₀	.594 ±.010	11.000 ⁺⁰⁰⁰ / _{-.003}	11.002 ⁺⁰⁰⁴ / ₊₀₀₀	12.000 ⁺⁰⁰⁷ / ₊₀₀₀	11.000 ⁺⁰⁰⁰ / _{-.007}	11.998 ⁺⁰⁰⁰ / _{-.004}	12.000 ⁺⁰⁰⁵ / ₊₀₀₀	414.54
HSU50-13.00-50-80D	13	14	1/2	.531 ⁺⁰¹⁵ / ₊₀₀₀	.594 ±.010	13.000 ⁺⁰⁰⁰ / _{-.003}	13.002 ⁺⁰⁰⁴ / ₊₀₀₀	14.000 ⁺⁰⁰⁷ / ₊₀₀₀	13.000 ⁺⁰⁰⁰ / _{-.007}	13.998 ⁺⁰⁰⁰ / _{-.004}	14.000 ⁺⁰⁰⁵ / ₊₀₀₀	132.60

U-SEALS

STYLE DYR ROD BUFFER SEALS

This U-cup style buffer ring offers an asymmetric sealing lip profile, chamfered sealing edges, and pressure relieving capabilities to prevent inner pressure entrapment when employed in a tandem sealing system. This rod buffer seal is designed to absorb impact pressure fluctuations under high-load conditions thus increasing the life of the primary seal.

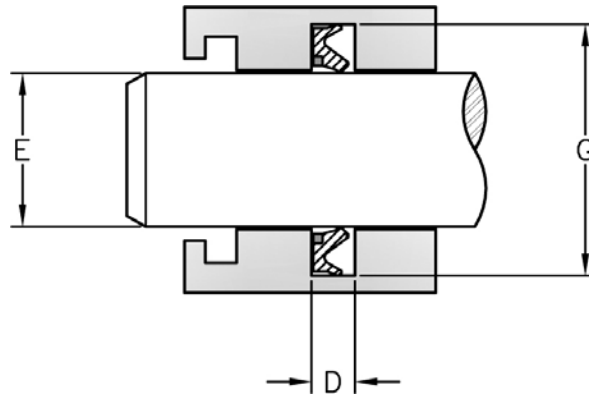


HERCULES PART NUMBERS

DYR 28 - 1.25 - 12
 Type of Seal Cross Section Inside Diameter Nominal Seal Height

DYR - 250 03
 Type of Seal Nominal Seal ID O-Ring Cross Section

SEAL INFORMATION	
MATERIAL	URETHANE U-STYLE POLYACETAL BACK-UP
TEMPERATURE RANGE	-40° TO +230° F
PRESSURE RANGE	0 TO 8,000 PSI
SPEED	3 FT/SEC



Part Number	A Nom. ID	B Nom. OD	C Nom. Ht	D GROOVE WIDTH	E ROD DIAMETER	G HOUSING DIAMETER	List Price
DYR28-1.25-12	1-1/4	1-13/16	1/8	.140 ⁺⁰⁰⁸ / ₊₀₀₀	1.250 ⁻⁰⁰¹ / ₋₀₀₃	1.813 ⁺⁰⁰⁸ / ₊₀₀₀	\$20.25
DYR28-1.37-12	1-3/8	1-15/16	1/8	.140 ⁺⁰¹⁰ / ₊₀₀₀	1.375 ⁻⁰⁰¹ / ₋₀₀₃	1.937 ⁺⁰⁰⁴ / ₊₀₀₀	24.10
DYR28-1.50-12	1-1/2	2-1/16	1/8	.140 ⁺⁰⁰⁸ / ₊₀₀₀	1.500 ⁻⁰⁰¹ / ₋₀₀₃	2.063 ⁺⁰⁰⁸ / ₊₀₀₀	23.35
DYR28-1.62-12	1-5/8	2-3/16	1/8	.140 ⁺⁰⁰⁸ / ₊₀₀₀	1.625 ⁻⁰⁰¹ / ₋₀₀₃	2.187 ⁺⁰⁰⁸ / ₊₀₀₀	24.97
DYR28-1.75-12	1-3/4	2-5/16	1/8	.140 ⁺⁰⁰⁸ / ₊₀₀₀	1.750 ⁻⁰⁰¹ / ₋₀₀₃	2.313 ⁺⁰⁰⁸ / ₊₀₀₀	26.53
DYR32-1.75-20BU	1-3/4	2.4	.2	.220 ⁺⁰⁰⁸ / ₊₀₀₀	1.750 ⁻⁰⁰¹ / ₋₀₀₃	2.400 ⁺⁰⁰⁸ / ₊₀₀₀	30.84
DYR32-1.87-22BU	1-7/8	2.531	.22	.235 ⁺⁰⁰⁸ / ₊₀₀₀	1.875 ⁻⁰⁰¹ / ₋₀₀₃	2.531 ⁺⁰⁰⁸ / ₊₀₀₀	38.57
DYR28-2.00-12	2	2-9/16	1/8	.140 ⁺⁰⁰⁸ / ₊₀₀₀	2.000 ⁻⁰⁰¹ / ₋₀₀₃	2.563 ⁺⁰⁰⁸ / ₊₀₀₀	29.66
DYR32-2.12-22BU	2-1/8	2.77	.22	.220 ^{±008}	2.125 ⁺⁰⁰⁰ / ₋₀₀₃	2.770 ^{±005}	46.28
DYR34-2.25-22BU	2-1/4	2-15/16	3/16	.234 ⁺⁰⁰⁸ / ₊₀₀₀	2.250 ⁻⁰⁰¹ / ₋₀₀₃	2.938 ⁺⁰⁰⁸ / ₊₀₀₀	32.83
DYR-25003	2-1/2	3.116	.235	.247 ⁺⁰¹⁰ / ₊₀₀₀	2.500 ⁺⁰⁰⁰ / ₋₀₀₄	3.116 ⁺⁰⁰⁵ / ₊₀₀₀	55.78
DYR34-2.50-22BU	2-1/2	3-3/16	3/16	.234 ⁺⁰⁰⁸ / ₊₀₀₀	2.500 ⁻⁰⁰¹ / ₋₀₀₃	3.188 ⁺⁰⁰⁸ / ₊₀₀₀	35.95
DYR-27503	2-3/4	3.366	.235	.247 ⁺⁰¹⁰ / ₊₀₀₀	2.750 ⁺⁰⁰⁰ / ₋₀₀₄	3.366 ⁺⁰⁰⁵ / ₊₀₀₀	46.23

STYLE DYR ROD BUFFER SEALS



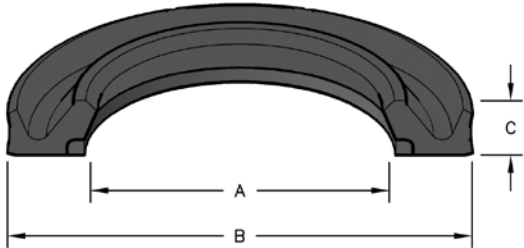
ROD BUFFER SEALS

Part Number	A Nom. ID	B Nom. OD	C Nom. Ht	D GROOVE WIDTH	E ROD DIAMETER	G HOUSING DIAMETER	List Price
DYR31-2.75-22BU	2-3/4	3-3/8	3/16	.234 ^{+0.08} / _{+0.00}	2.750 ^{-0.01} / _{-0.003}	3.375 ^{+0.08} / _{+0.00}	39.07
DYR-30003	3	3.616	.235	.247 ^{+0.10} / _{+0.00}	3.000 ^{+0.00} / _{-0.004}	3.616 ^{+0.05} / _{+0.00}	65.25
DYR31-3.00-22BU	3	3-5/8	3/16	.234 ^{+0.08} / _{+0.00}	3.000 ^{-0.01} / _{-0.003}	3.625 ^{+0.08} / _{+0.00}	42.20
DYR-35003	3-1/2	4.116	.235	.247 ^{+0.10} / _{+0.00}	3.500 ^{+0.00} / _{-0.004}	4.116 ^{+0.05} / _{+0.00}	72.94
DYR34-3.50-22BU	3-1/2	4-3/16	3/16	.234 ^{+0.08} / _{+0.00}	3.500 ^{-0.01} / _{-0.004}	4.188 ^{+0.08} / _{+0.00}	48.51
DYR-40003	4	4.616	.235	.247 ^{+0.10} / _{+0.00}	4.000 ^{+0.00} / _{-0.004}	4.616 ^{+0.05} / _{+0.00}	91.71
DYR31-4.00-22BU	4	4-5/8	3/16	.234 ^{+0.08} / _{+0.00}	4.000 ^{-0.01} / _{-0.004}	4.669 ^{+0.09} / _{+0.00}	54.72
DYR-45003	4-1/2	5.116	.235	.247 ^{+0.10} / _{+0.00}	4.500 ^{+0.00} / _{-0.004}	5.116 ^{+0.05} / _{+0.00}	114.05
DYR-47503	4-3/4	5.366	.235	.247 ^{+0.10} / _{+0.00}	4.750 ^{+0.00} / _{-0.004}	5.366 ^{+0.05} / _{+0.00}	117.75
DYR-50003	5	5.616	.235	.247 ^{+0.10} / _{+0.00}	5.000 ^{+0.00} / _{-0.004}	5.616 ^{+0.05} / _{+0.00}	121.31
DYR-55003	5-1/2	6.116	.235	.247 ^{+0.10} / _{+0.00}	5.500 ^{+0.00} / _{-0.004}	6.116 ^{+0.05} / _{+0.00}	118.37
DYR31-5.75-23BU	5-3/4	6-3/8	.235	.250 ^{+0.05} / _{-0.003}	5.750 ^{-0.017} / _{-0.0042}	6.375 ^{+0.08} / _{+0.00}	83.13
DYR-60003	6	6.616	.235	.247 ^{+0.10} / _{+0.00}	6.000 ^{+0.00} / _{-0.004}	6.616 ^{+0.05} / _{+0.00}	111.41
DYR-65003	6-1/2	7.116	.235	.247 ^{+0.10} / _{+0.00}	6.500 ^{+0.00} / _{-0.004}	7.116 ^{+0.05} / _{+0.00}	123.26
DYR-70003	7	7.616	.235	.247 ^{+0.10} / _{+0.00}	7.000 ^{+0.00} / _{-0.004}	7.616 ^{+0.05} / _{+0.00}	133.30
DYR-80003	8	8.616	.235	.247 ^{+0.10} / _{+0.00}	8.000 ^{+0.00} / _{-0.004}	8.616 ^{+0.05} / _{+0.00}	143.00
DYR37-15.75-31BU	15-3/4	16-1/2	.305	.319 ^{+0.08} / _{+0.00}	15.750 ^{+0.00} / _{-0.006}	16.500 ^{+0.06} / _{+0.00}	601.78

Seal color may vary. Special order sizes are available. Sizes not shown and out of stock items can also be ordered for next day delivery through Seals On Demand, our custom seal program. Please call your regional sales team for assistance.

STYLE DYR-BHT ROD BUFFER SEALS

Style DYR-BHT buffer seals are molded in Freudenberg® AU 30000 urethane. This U-cup style buffer ring offers an asymmetric sealing lip profile, chamfered sealing edges, and pressure relieving capabilities to prevent inner pressure entrapment when employed in a tandem sealing system. This rod buffer seal is designed to absorb impact pressure fluctuations under high-load conditions thus increasing the life of the primary seal. This high tear-resistant urethane demonstrates stability throughout a wide range of temperatures. In addition, this material is well suited to mineral and biodegradable hydraulic fluids as well as being resistant to hydrolysis.



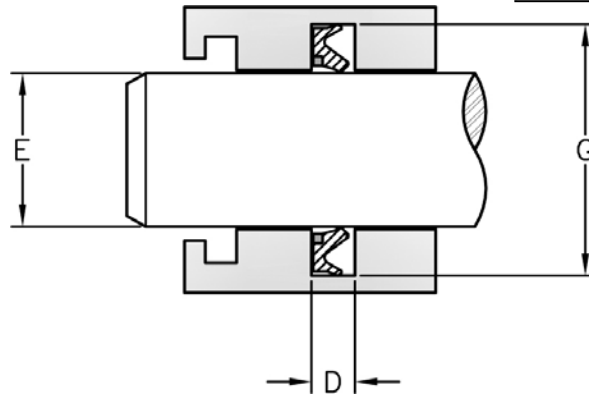
HERCULES PART NUMBERS

DYR 28 - 1.50 - 12 BHT

Type of Seal: DYR 28
 Cross Section: 1.50
 Inside Diameter: 12
 Nominal Seal Height: BHT

SEAL INFORMATION

MATERIAL	94A URETHANE "BU" INCLUDES POLYACETAL BACK-UP
TEMPERATURE RANGE	-31°F TO 250°F
PRESSURE RANGE	0 TO 8,000 PSI
SPEED	1.5 FT/SEC

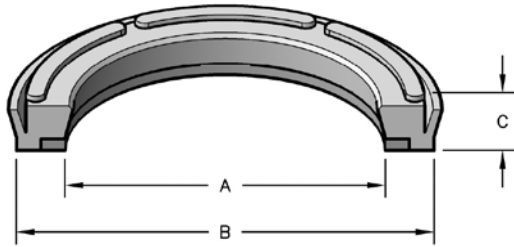


Part Number	A Nom. ID	B Nom. OD	C Nom. Ht	D GROOVE WIDTH	E ROD DIAMETER	G HOUSING DIAMETER	List Price
DYR28-1.50-12-BHT	1-1/2	2-1/16	1/8	.140 +0.008 +0.000	1.500 -0.001 -0.003	2.063 +0.008 +0.000	\$26.06
DYR28-1.75-12-BHT	1-3/4	2-5/16	1/8	.140 +0.008 +0.000	1.750 -0.001 -0.003	2.313 +0.008 +0.000	28.47
DYR28-2.00-12-BHT	2	2-9/16	1/8	.140 +0.008 +0.000	2.000 -0.001 -0.003	2.563 +0.008 +0.000	31.49
DYR31-4.00-22BU-BHT	4	4-5/8	3/16	.234 +0.008 +0.000	4.000 -0.001 -0.004	4.669 +0.009 +0.000	69.24

STYLE DYP-BR43 ROD BUFFER SEALS



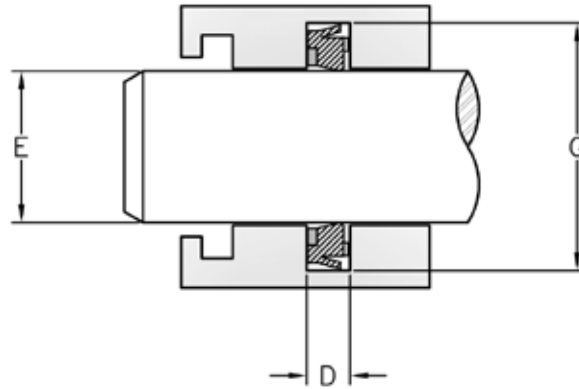
With a wider temperature range and a higher pressure rating than the standard DYP style, the DYP-BR43 rod buffer seal offers an asymmetric sealing lip profile, chamfered sealing edges, and pressure relieving capabilities to prevent inner pressure entrapment when employed in a tandem sealing system.



HERCULES PART NUMBERS

DYP - 125 03 - BR43
 Type of Seal Nominal Seal ID Cross Section

SEAL INFORMATION	
MATERIAL	90A URETHANE SEAL NYLON BACK-UP RING
TEMPERATURE RANGE	-65° TO +250° F
PRESSURE RANGE	0 TO 10,000 PSI
SPEED	1.6 FT/SEC

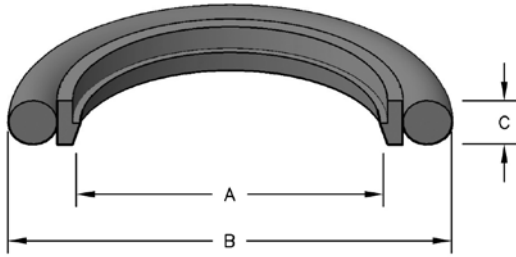


ROD BUFFER SEALS

Part Number	A Nom. ID	B Nom. OD	C Nom. Ht	D GROOVE WIDTH	E ROD DIAMETER	G HOUSING DIAMETER	List Price
DYP-12503-BR43	1-1/4	1-5/8	3/16	.206 ^{+0.015} / _{+0.000}	1.250 ^{+0.000} / _{-.002}	1.625 ^{+0.002} / _{+0.000}	\$22.65
DYP-13753-BR43	1-3/8	1-3/4	3/16	.206 ^{+0.015} / _{+0.000}	1.375 ^{+0.000} / _{-.002}	1.750 ^{+0.002} / _{+0.000}	23.77
DYP-15004-BR43	1-1/2	2	1/4	.275 ^{+0.015} / _{+0.000}	1.500 ^{+0.000} / _{-.002}	2.000 ^{+0.003} / _{+0.000}	35.81
DYP-20004-BR43	2	2-1/2	1/4	.275 ^{+0.015} / _{+0.000}	2.000 ^{+0.000} / _{-.002}	2.500 ^{+0.003} / _{+0.000}	37.36
DYP-25004-BR43	2-1/2	3	1/4	.275 ^{+0.015} / _{+0.000}	2.500 ^{+0.000} / _{-.002}	3.000 ^{+0.003} / _{+0.000}	38.92
DYP-25005-BR43	2-1/2	3.174	.229	.252 ^{+0.010} / _{+0.000}	2.500 ^{+0.000} / _{-.002}	3.174 ^{+0.005} / _{+0.000}	81.03
DYP-27503-BR43	2-3/4	3.397	.229	.252 ^{+0.015} / _{+0.000}	2.750 ^{+0.000} / _{-.002}	3.397 ^{+0.003} / _{+0.000}	60.95
DYP-30004-BR43	3	3-1/2	1/4	.275 ^{+0.015} / _{+0.000}	3.000 ^{+0.000} / _{-.002}	3.500 ^{+0.003} / _{+0.000}	45.29
DYP-35004-BR43	3-1/2	4	1/4	.275 ^{+0.015} / _{+0.000}	3.500 ^{+0.000} / _{-.002}	4.000 ^{+0.003} / _{+0.000}	55.53

STYLE KR ROD BUFFER SEALS

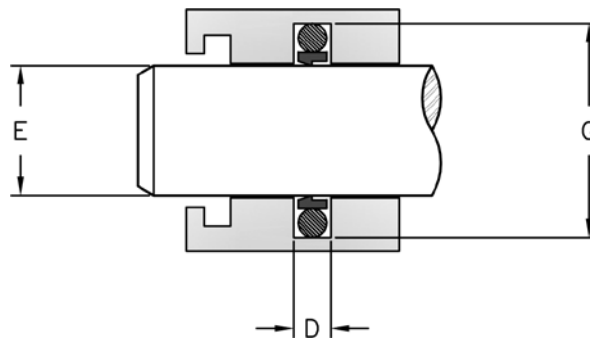
Molded in PTFE with a rubber energizer, this seal absorbs the shock of pressure spikes to protect the rod seal.



HERCULES PART NUMBERS

KR - 050 01
 Type of Seal Nominal Seal ID O-Ring Cross Section

SEAL INFORMATION	
MATERIAL	BRONZE FILLED PTFE SEAL RUBBER ENERGIZER
TEMPERATURE RANGE	-40° TO +220° F
PRESSURE RANGE	0 TO 5,000 PSI
SPEED	12 FT/SEC



ROD BUFFER SEALS

Part Number	A Nom. ID	B Nom. OD	C Nom. Ht	D GROOVE WIDTH	E ROD DIAMETER	G HOUSING DIAMETER	List Price
KR-05001	1/2	.787	.122	.126 ⁺⁰¹⁰ / ₊₀₀₀	.500 ⁺⁰⁰⁰ / _{-.002}	.787 ⁺⁰⁰⁵ / ₊₀₀₀	\$ 6.66
KR-10001	1	1.287	.122	.126 ⁺⁰¹⁰ / ₊₀₀₀	1.000 ⁺⁰⁰⁰ / _{-.002}	1.287 ⁺⁰⁰⁵ / ₊₀₀₀	22.44
KR-10002	1	1.421	.155	.166 ⁺⁰¹⁰ / ₊₀₀₀	1.000 ⁺⁰⁰⁰ / _{-.003}	1.421 ⁺⁰⁰⁵ / ₊₀₀₀	11.45
KR-11201	1-1/8	1.407	.122	.126 ⁺⁰¹⁰ / ₊₀₀₀	1.120 ⁺⁰⁰⁰ / _{-.002}	1.407 ⁺⁰⁰⁵ / ₊₀₀₀	22.96
KR-12501	1-1/4	1.537	.122	.126 ⁺⁰¹⁰ / ₊₀₀₀	1.250 ⁺⁰⁰⁰ / _{-.002}	1.537 ⁺⁰⁰⁵ / ₊₀₀₀	26.72
KR-12502	1-1/4	1.671	.155	.166 ⁺⁰¹⁰ / ₊₀₀₀	1.250 ⁺⁰⁰⁰ / _{-.003}	1.671 ⁺⁰⁰⁵ / ₊₀₀₀	28.43
KR-13702	1-3/8	1.791	.155	.166 ⁺⁰¹⁰ / ₊₀₀₀	1.370 ⁺⁰⁰⁰ / _{-.003}	1.791 ⁺⁰⁰⁵ / ₊₀₀₀	31.03
KR-15001	1-1/2	1.787	.122	.126 ⁺⁰¹⁰ / ₊₀₀₀	1.500 ⁺⁰⁰⁰ / _{-.002}	1.787 ⁺⁰⁰⁵ / ₊₀₀₀	26.04
KR-15002	1-1/2	1.921	.155	.166 ⁺⁰¹⁰ / ₊₀₀₀	1.500 ⁺⁰⁰⁰ / _{-.003}	1.921 ⁺⁰⁰⁵ / ₊₀₀₀	31.03
KR-15003	1-1/2	2.094	.235	.247 ⁺⁰¹⁰ / ₊₀₀₀	1.500 ⁺⁰⁰⁰ / _{-.004}	2.094 ⁺⁰⁰⁵ / ₊₀₀₀	20.00
KR-17501	1-3/4	2.037	.122	.126 ⁺⁰¹⁰ / ₊₀₀₀	1.750 ⁺⁰⁰⁰ / _{-.002}	2.037 ⁺⁰⁰⁵ / ₊₀₀₀	52.76
KR-17502	1-3/4	2.171	.155	.166 ⁺⁰¹⁰ / ₊₀₀₀	1.750 ⁺⁰⁰⁰ / _{-.003}	2.171 ⁺⁰⁰⁵ / ₊₀₀₀	32.40
KR-17503	1-3/4	2.344	.235	.247 ⁺⁰¹⁰ / ₊₀₀₀	1.750 ⁺⁰⁰⁰ / _{-.004}	2.344 ⁺⁰⁰⁵ / ₊₀₀₀	33.14
KR-18702	1-7/8	2.291	.155	.166 ⁺⁰¹⁰ / ₊₀₀₀	1.870 ⁺⁰⁰⁰ / _{-.003}	2.291 ⁺⁰⁰⁵ / ₊₀₀₀	27.80
KR-20002	2	2.421	.155	.166 ⁺⁰¹⁰ / ₊₀₀₀	2.000 ⁺⁰⁰⁰ / _{-.003}	2.421 ⁺⁰⁰⁵ / ₊₀₀₀	34.86
KR-20003	2	2.594	.235	.247 ⁺⁰¹⁰ / ₊₀₀₀	2.000 ⁺⁰⁰⁰ / _{-.004}	2.594 ⁺⁰⁰⁵ / ₊₀₀₀	37.53

STYLE KR ROD BUFFER SEALS

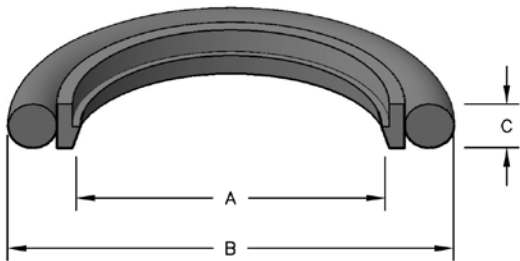


ROD BUFFER SEALS

Part Number	A Nom. ID	B Nom. OD	C Nom. Ht	D GROOVE WIDTH	E ROD DIAMETER	G HOUSING DIAMETER	List Price
KR-21202	2-1/8	2.541	.155	.166 ⁺⁰¹⁰ / ₊₀₀₀	2.120 ⁺⁰⁰⁰ / _{-.003}	2.541 ⁺⁰⁰⁵ / ₊₀₀₀	36.85
KR-22502	2-1/4	2.671	.155	.166 ⁺⁰¹⁰ / ₊₀₀₀	2.250 ⁺⁰⁰⁰ / _{-.003}	2.671 ⁺⁰⁰⁵ / ₊₀₀₀	38.98
KR-22503	2-1/4	2.844	.235	.248 ⁺⁰⁰⁸ / ₊₀₀₀	2.250 ^{-.001} / _{-.003}	2.844 ⁺⁰⁰⁵ / ₊₀₀₀	90.45
KR-25002	2-1/2	2.921	.155	.166 ⁺⁰¹⁰ / ₊₀₀₀	2.500 ⁺⁰⁰⁰ / _{-.003}	2.921 ⁺⁰⁰⁵ / ₊₀₀₀	35.12
KR-25003	2-1/2	3.094	.235	.247 ⁺⁰¹⁰ / ₊₀₀₀	2.500 ⁺⁰⁰⁰ / _{-.004}	3.094 ⁺⁰⁰⁵ / ₊₀₀₀	48.64
KR-26203	2-5/8	3.214	.235	.247 ⁺⁰¹⁰ / ₊₀₀₀	2.620 ⁺⁰⁰⁰ / _{-.004}	3.214 ⁺⁰⁰⁵ / ₊₀₀₀	46.93
KR-27502	2-3/4	3.171	.155	.166 ⁺⁰¹⁰ / ₊₀₀₀	2.750 ⁺⁰⁰⁰ / _{-.003}	3.171 ⁺⁰⁰⁵ / ₊₀₀₀	41.20
KR-27503	2-3/4	3.344	.235	.247 ⁺⁰¹⁰ / ₊₀₀₀	2.750 ⁺⁰⁰⁰ / _{-.004}	3.344 ⁺⁰⁰⁵ / ₊₀₀₀	40.34
KR-30002	3	3.421	.155	.166 ⁺⁰¹⁰ / ₊₀₀₀	3.000 ⁺⁰⁰⁰ / _{-.003}	3.421 ⁺⁰⁰⁵ / ₊₀₀₀	45.71
KR-30003	3	3.594	.235	.247 ⁺⁰¹⁰ / ₊₀₀₀	3.000 ⁺⁰⁰⁰ / _{-.004}	3.594 ⁺⁰⁰⁵ / ₊₀₀₀	56.98
KR-32503	3-1/4	3.844	.235	.247 ⁺⁰¹⁰ / ₊₀₀₀	3.250 ⁺⁰⁰⁰ / _{-.004}	3.844 ⁺⁰⁰⁵ / ₊₀₀₀	57.51
KR-35003	3-1/2	4.094	.235	.247 ⁺⁰¹⁰ / ₊₀₀₀	3.500 ⁺⁰⁰⁰ / _{-.004}	4.094 ⁺⁰⁰⁵ / ₊₀₀₀	58.09
KR-37503	3-3/4	4.344	.235	.247 ⁺⁰¹⁰ / ₊₀₀₀	3.750 ⁺⁰⁰⁰ / _{-.004}	4.344 ⁺⁰⁰⁵ / ₊₀₀₀	75.67
KR-40002	4	4.421	.155	.166 ⁺⁰¹⁰ / ₊₀₀₀	4.000 ⁺⁰⁰⁰ / _{-.003}	4.421 ⁺⁰⁰⁵ / ₊₀₀₀	71.83
KR-40003	4	4.594	.235	.247 ⁺⁰¹⁰ / ₊₀₀₀	4.000 ⁺⁰⁰⁰ / _{-.004}	4.594 ⁺⁰⁰⁵ / ₊₀₀₀	80.07
KR-40004	4	4.807	.305	.320 ⁺⁰¹⁰ / ₊₀₀₀	4.000 ⁺⁰⁰⁰ / _{-.005}	4.807 ⁺⁰⁰⁵ / ₊₀₀₀	73.05
KR-45003	4-1/2	5.094	.235	.247 ⁺⁰¹⁰ / ₊₀₀₀	4.500 ⁺⁰⁰⁰ / _{-.004}	5.094 ⁺⁰⁰⁵ / ₊₀₀₀	99.52
KR-45004	4-1/2	5.307	.305	.320 ⁺⁰¹⁰ / ₊₀₀₀	4.500 ⁺⁰⁰⁰ / _{-.005}	5.307 ⁺⁰⁰⁵ / ₊₀₀₀	95.37
KR-47503	4-3/4	5.344	.235	.247 ⁺⁰¹⁰ / ₊₀₀₀	4.750 ⁺⁰⁰⁰ / _{-.004}	5.344 ⁺⁰⁰⁵ / ₊₀₀₀	102.76
KR-50003	5	5.594	.235	.247 ⁺⁰¹⁰ / ₊₀₀₀	5.000 ⁺⁰⁰⁰ / _{-.004}	5.594 ⁺⁰⁰⁵ / ₊₀₀₀	105.90
KR-50004	5	5.807	.305	.320 ⁺⁰¹⁰ / ₊₀₀₀	5.000 ⁺⁰⁰⁰ / _{-.005}	5.807 ⁺⁰⁰⁵ / ₊₀₀₀	106.61
KR-55003	5-1/2	6.094	.235	.247 ⁺⁰¹⁰ / ₊₀₀₀	5.500 ⁺⁰⁰⁰ / _{-.002}	6.094 ⁺⁰⁰⁵ / ₊₀₀₀	112.42
KR-55004	5-1/2	6.307	.305	.320 ⁺⁰¹⁰ / ₊₀₀₀	5.500 ⁺⁰⁰⁰ / _{-.005}	6.307 ⁺⁰⁰⁵ / ₊₀₀₀	112.46
KR-57504	5-3/4	6.557	.305	.320 ⁺⁰¹⁰ / ₊₀₀₀	5.750 ⁺⁰⁰⁰ / _{-.005}	6.557 ⁺⁰⁰⁵ / ₊₀₀₀	101.31
KR-60003	6	6.594	.235	.247 ⁺⁰¹⁰ / ₊₀₀₀	6.000 ⁺⁰⁰⁰ / _{-.004}	6.594 ⁺⁰⁰⁵ / ₊₀₀₀	97.22
KR-60004	6	6.807	.305	.320 ⁺⁰¹⁰ / ₊₀₀₀	6.000 ⁺⁰⁰⁰ / _{-.005}	6.807 ⁺⁰⁰⁵ / ₊₀₀₀	101.24
KR-65003	6-1/2	7.094	.235	.247 ⁺⁰¹⁰ / ₊₀₀₀	6.500 ⁺⁰⁰⁰ / _{-.004}	7.094 ⁺⁰⁰⁵ / ₊₀₀₀	50.63
KR-67504	6-3/4	7.557	.305	.320 ⁺⁰¹⁰ / ₊₀₀₀	6.750 ⁺⁰⁰⁰ / _{-.005}	7.557 ⁺⁰⁰⁵ / ₊₀₀₀	125.53
KR-70003	7	7.594	.235	.247 ⁺⁰¹⁰ / ₊₀₀₀	7.000 ⁺⁰⁰⁰ / _{-.004}	7.594 ⁺⁰⁰⁵ / ₊₀₀₀	116.38
KR-70004	7	7.807	.305	.320 ⁺⁰¹⁰ / ₊₀₀₀	7.000 ⁺⁰⁰⁰ / _{-.005}	7.807 ⁺⁰⁰⁵ / ₊₀₀₀	137.33
KR-90004	9	9.807	.305	.320 ⁺⁰¹⁰ / ₊₀₀₀	9.000 ⁺⁰⁰⁰ / _{-.005}	9.807 ⁺⁰⁰⁵ / ₊₀₀₀	139.67

STYLE KR ROD BUFFER SEALS - FLUOROCARBON

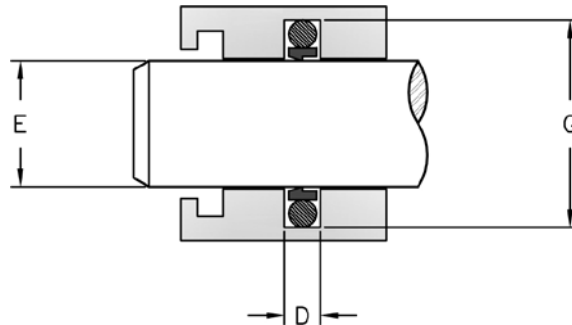
Molded in bronze-filled PTFE with an FKM energizer, this seal is used to protect the primary seal from damage caused by pressure spikes and excessive heat build up.



HERCULES PART NUMBERS

KR - 100 01V
 Type of Seal Nominal Seal ID O-Ring Cross Section

SEAL INFORMATION	
MATERIAL	BRONZE PTFE BUFFER FKM ENERGIZER
TEMPERATURE RANGE	-20° TO +400° F
PRESSURE RANGE	0 TO 5,000 PSI
SPEED	12 FT/SEC



ROD BUFFER SEALS

Part Number	A Nom. ID	B Nom. OD	C Nom. Ht	D GROOVE WIDTH	E ROD DIAMETER	G HOUSING DIAMETER	List Price
KR-10001V	1	1.287	.122	.126 ^{+0.010} / _{+0.000}	1.000 ^{+0.000} / _{-0.002}	1.287 ^{+0.005} / _{+0.000}	\$30.92
KR-11201V	1-1/8	1.407	.122	.126 ^{+0.010} / _{+0.000}	1.120 ^{+0.000} / _{-0.002}	1.407 ^{+0.005} / _{+0.000}	31.61
KR-12501V	1-1/4	1.537	.122	.126 ^{+0.010} / _{+0.000}	1.250 ^{+0.000} / _{-0.002}	1.537 ^{+0.005} / _{+0.000}	36.77
KR-12502V	1-1/4	1.671	.155	.166 ^{+0.010} / _{+0.000}	1.250 ^{+0.000} / _{-0.003}	1.671 ^{+0.005} / _{+0.000}	39.12
KR-13702V	1-3/8	1.791	.155	.166 ^{+0.010} / _{+0.000}	1.370 ^{+0.000} / _{-0.003}	1.791 ^{+0.005} / _{+0.000}	42.71
KR-15001V	1-1/2	1.787	.122	.126 ^{+0.010} / _{+0.000}	1.500 ^{+0.000} / _{-0.002}	1.787 ^{+0.005} / _{+0.000}	35.85
KR-15002V	1-1/2	1.921	.155	.166 ^{+0.010} / _{+0.000}	1.500 ^{+0.000} / _{-0.003}	1.921 ^{+0.005} / _{+0.000}	42.71
KR-15003V	1-1/2	2.094	.235	.247 ^{+0.010} / _{+0.000}	1.500 ^{+0.000} / _{-0.004}	2.094 ^{+0.005} / _{+0.000}	27.53
KR-17501V	1-3/4	2.037	.122	.126 ^{+0.010} / _{+0.000}	1.750 ^{+0.000} / _{-0.002}	2.037 ^{+0.005} / _{+0.000}	72.62
KR-17502V	1-3/4	2.171	.155	.166 ^{+0.010} / _{+0.000}	1.750 ^{+0.000} / _{-0.003}	2.171 ^{+0.005} / _{+0.000}	44.58
KR-17503V	1-3/4	2.344	.235	.247 ^{+0.010} / _{+0.000}	1.750 ^{+0.000} / _{-0.004}	2.344 ^{+0.005} / _{+0.000}	45.61
KR-18702V	1-7/8	2.291	.155	.166 ^{+0.010} / _{+0.000}	1.870 ^{+0.000} / _{-0.003}	2.291 ^{+0.005} / _{+0.000}	38.29
KR-20002V	2	2.421	.155	.166 ^{+0.010} / _{+0.000}	2.000 ^{+0.000} / _{-0.003}	2.421 ^{+0.005} / _{+0.000}	48.00
KR-20003V	2	2.594	.235	.247 ^{+0.010} / _{+0.000}	2.000 ^{+0.000} / _{-0.004}	2.594 ^{+0.005} / _{+0.000}	51.66
KR-21202V	2-1/8	2.541	.155	.166 ^{+0.010} / _{+0.000}	2.120 ^{+0.000} / _{-0.003}	2.541 ^{+0.005} / _{+0.000}	50.74
KR-22502V	2-1/4	2.671	.155	.166 ^{+0.010} / _{+0.000}	2.250 ^{+0.000} / _{-0.003}	2.671 ^{+0.005} / _{+0.000}	53.66

Seal color may vary. Special order sizes are available. Sizes not shown and out of stock items can also be ordered for next day delivery through Seals On Demand, our custom seal program. Please call your regional sales team for assistance.

STYLE KR ROD BUFFER SEALS - FLUOROCARBON

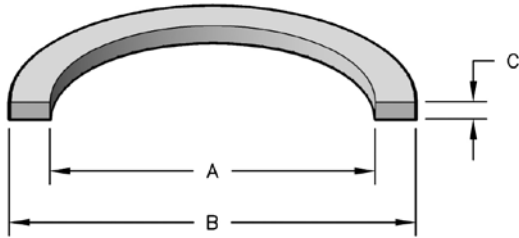


Part Number	A Nom. ID	B Nom. OD	C Nom. Ht	D GROOVE WIDTH	E ROD DIAMETER	G HOUSING DIAMETER	List Price
KR-25002V	2-1/2	2.921	.155	.166 ^{+0.010} / _{+0.000}	2.500 ^{+0.000} / _{-.003}	2.921 ^{+0.005} / _{+0.000}	48.35
KR-25003V	2-1/2	3.094	.235	.247 ^{+0.010} / _{+0.000}	2.500 ^{+0.000} / _{-.004}	3.094 ^{+0.005} / _{+0.000}	66.97
KR-26203V	2-5/8	3.214	.235	.247 ^{+0.010} / _{+0.000}	2.620 ^{+0.000} / _{-.004}	3.214 ^{+0.005} / _{+0.000}	64.61
KR-27503V	2-3/4	3.344	.235	.247 ^{+0.010} / _{+0.000}	2.750 ^{+0.000} / _{-.004}	3.344 ^{+0.005} / _{+0.000}	55.53
KR-30002V	3	3.421	.155	.166 ^{+0.010} / _{+0.000}	3.000 ^{+0.000} / _{-.003}	3.421 ^{+0.005} / _{+0.000}	62.92
KR-30003V	3	3.594	.235	.247 ^{+0.010} / _{+0.000}	3.000 ^{+0.000} / _{-.004}	3.594 ^{+0.005} / _{+0.000}	78.45
KR-32503V	3-1/4	3.844	.235	.247 ^{+0.010} / _{+0.000}	3.250 ^{+0.000} / _{-.004}	3.844 ^{+0.005} / _{+0.000}	79.15
KR-35003V	3-1/2	4.094	.235	.247 ^{+0.010} / _{+0.000}	3.500 ^{+0.000} / _{-.004}	4.094 ^{+0.005} / _{+0.000}	79.95
KR-37503V	3-3/4	4.344	.235	.247 ^{+0.010} / _{+0.000}	3.750 ^{+0.000} / _{-.004}	4.344 ^{+0.005} / _{+0.000}	104.16
KR-40002V	4	4.421	.155	.166 ^{+0.010} / _{+0.000}	4.000 ^{+0.000} / _{-.003}	4.421 ^{+0.005} / _{+0.000}	98.89
KR-40003V	4	4.594	.235	.247 ^{+0.010} / _{+0.000}	4.000 ^{+0.000} / _{-.004}	4.594 ^{+0.005} / _{+0.000}	110.23
KR-45003V	4-1/2	5.094	.235	.247 ^{+0.010} / _{+0.000}	4.500 ^{+0.000} / _{-.004}	5.094 ^{+0.005} / _{+0.000}	136.99
KR-45004V	4-1/2	5.307	.305	.320 ^{+0.010} / _{+0.000}	4.500 ^{+0.000} / _{-.005}	5.307 ^{+0.005} / _{+0.000}	131.29
KR-47503V	4-3/4	5.344	.235	.247 ^{+0.010} / _{+0.000}	4.750 ^{+0.000} / _{-.004}	5.344 ^{+0.005} / _{+0.000}	141.46
KR-50003V	5	5.594	.235	.247 ^{+0.010} / _{+0.000}	5.000 ^{+0.000} / _{-.004}	5.594 ^{+0.005} / _{+0.000}	145.75
KR-50004V	5	5.807	.305	.320 ^{+0.010} / _{+0.000}	5.000 ^{+0.000} / _{-.005}	5.807 ^{+0.005} / _{+0.000}	146.76
KR-55004V	5-1/2	6.307	.305	.320 ^{+0.010} / _{+0.000}	5.500 ^{+0.000} / _{-.005}	6.307 ^{+0.005} / _{+0.000}	154.82
KR-57504V	5-3/4	6.557	.305	.320 ^{+0.010} / _{+0.000}	5.750 ^{+0.000} / _{-.005}	6.557 ^{+0.005} / _{+0.000}	139.43
KR-60003V	6	6.594	.235	.247 ^{+0.010} / _{+0.000}	6.000 ^{+0.000} / _{-.004}	6.594 ^{+0.005} / _{+0.000}	133.84
KR-60004V	6	6.807	.305	.320 ^{+0.010} / _{+0.000}	6.000 ^{+0.000} / _{-.005}	6.807 ^{+0.005} / _{+0.000}	139.37
KR-65003V	6-1/2	7.094	.235	.247 ^{+0.010} / _{+0.000}	6.500 ^{+0.000} / _{-.004}	7.094 ^{+0.005} / _{+0.000}	69.70
KR-67504V	6-3/4	7.557	.305	.320 ^{+0.010} / _{+0.000}	6.750 ^{+0.000} / _{-.005}	7.557 ^{+0.005} / _{+0.000}	172.81
KR-70003V	7	7.594	.235	.247 ^{+0.010} / _{+0.000}	7.000 ^{+0.000} / _{-.004}	7.594 ^{+0.005} / _{+0.000}	160.19
KR-90004V	9	9.807	.305	.320 ^{+0.010} / _{+0.000}	9.000 ^{+0.000} / _{-.005}	9.807 ^{+0.005} / _{+0.000}	192.25

ROD BUFFER SEALS

STYLE RBS ROD BUFFER SEALS

The RBS style rod buffer seals are a rectangular urethane buffer ring designed to absorb pressure fluctuations to protect the primary rod seal. Some sizes include a radial and axial slot, which faces the pressure, to relieve back pressure between the primary and buffer seal. This simple design is commonly found on older construction equipment.



HERCULES PART NUMBERS

RBS - 1.2 X 1.6
 Type of Seal Inside Diameter Outside Diameter

SL = SLOTTED

SEAL INFORMATION

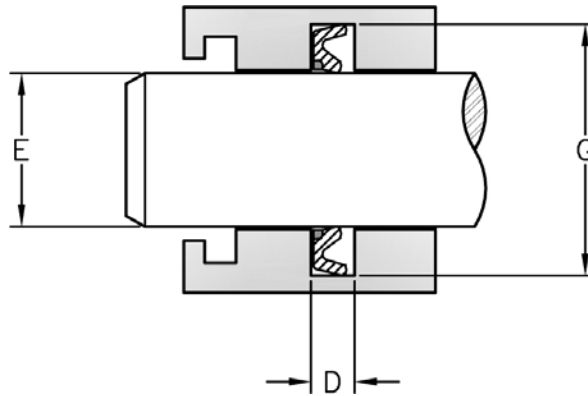
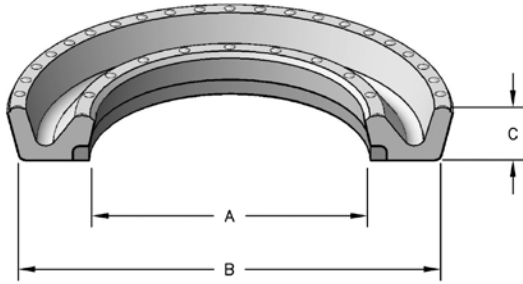
MATERIAL	92A URETHANE
TEMPERATURE RANGE	-40° TO +200° F
PRESSURE RANGE	0 TO 5,000 PSI
SPEED	3 FT/SEC

Part Number	A Nom. ID	B Nom. OD	C Nom. Ht	E ROD DIAMETER	List Price
RBS-1.2X1.6	1-1/4	1.62	.118	1.250	\$21.05
RBS-1.25X1.77SL	1-1/4	1.77	.114	1.250	6.79
RBS-1.50X2.00SL	1-1/2	2	.118	1.500	8.27
RBS-1.75X2.25SL	1-3/4	2-1/4	.118	1.750	10.92
RBS-2.00X2.50SL	2	2-1/2	.115	2.000	9.80
RBS-2.25X2.87SL	2-1/4	2.87	.19	2.250	14.75
RBS-2.50X3.12SL	2-1/2	3.124	3/16	2.500	4.31
RBS-3.00X3.62SL	3	3.62	.19	3.000	22.12
RBS-4.0X4.4X.19	4	4.38	.19	4.000	8.62
RBS-4.5X5.2X.17	4-1/2	5.22	.17	4.500	30.20
RBS-6X6.7X.17	6	6.72	.17	6.000	38.38
RBS-7.5X8.2X.17	7-1/2	8.22	.17	7.500	41.66
RBS-10.45X11.20X.185	10.456	11.2	.185	10.500	51.17

CATERPILLAR® SPECIFIC BUFFER SEALS - DYR STYLE



These lip-type buffer seals are designed for replacement in Caterpillar® cylinders. The hinged-lip design reduces friction, heat, and wear under low-pressure conditions and acts as a check valve allowing back-pressure relief. Seals for rod sizes 2-1/8" and under do not have a back-up ring.



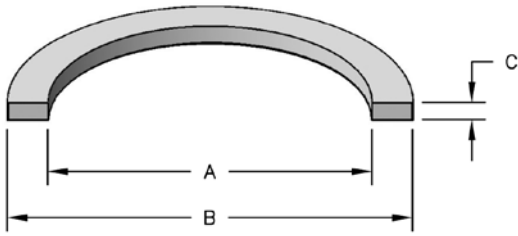
SEAL INFORMATION	
MATERIAL	URETHANE
TEMPERATURE RANGE	-22° TO +230° F
PRESSURE RANGE	0 TO 6,000 PSI
SPEED	3 FT/SEC

ROD BUFFER SEALS

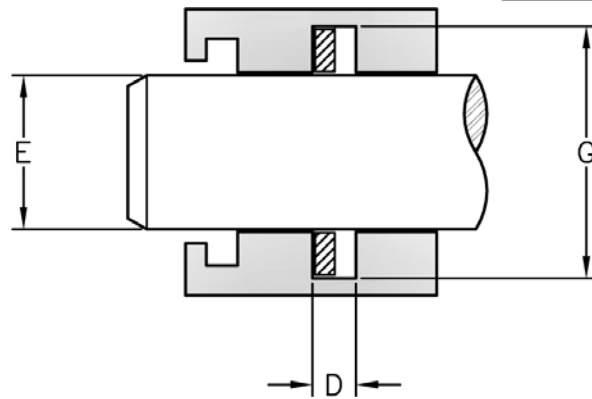
Part Number	A Nom. ID	B Nom. OD	C Nom. Ht	D GROOVE WIDTH	E ROD DIAMETER	G HOUSING DIAMETER	List Price
CTC-1672186	1-1/2	2	.115	.140 ±.005	1.500	2.033 ±.005	\$9.77
CTC-1672190	1-3/4	2-5/16	.115	.140 ±.005	1.750	2.283 ±.005	6.92
CTC-1672192	1-7/8	2-1/4	.115	.140 ±.005	1.875	2.252 ±.005	10.70
CTC-1672195	2	2-9/16	.115	.140 ±.005	2.000	2.533 ±.005	5.63
CTC-1672198	2-1/8	2-5/8	.115	.140 ±.005	2.125	2.627 ±.005	8.77
CTC-1672200	2-1/4	2-7/8	.21	.220 ±.005	2.250	2.891 ±.005	7.53
CTC-1672202	2-3/8	3	.21	.220 ±.005	2.375	3.016 ±.005	9.88
CTC-1672201	2-1/2	3-3/16	.21	.220 ±.005	2.500	3.141 ±.005	8.48
CTC-1672207	2-3/4	3-3/8	.21	.220 ±.005	2.750	3.391 ±.005	11.61
CTC-1672208	3	3-5/8	.21	.220 ±.005	3.000	3.641 ±.005	13.73
CTC-1672209	3-1/4	3-7/8	.21	.220 ±.005	3.250	3.891 ±.005	12.49
CTC-1672211	3-1/2	4-3/16	.21	.220 ±.005	3.500	4.141 ±.005	13.15
CTC-1672214	3-3/4	4-3/8	.21	.220 ±.005	3.750	4.391 ±.005	14.91
CTC-1672216	4	4-5/8	.21	.220 ±.005	4.000	4.641 ±.005	17.56
CTC-1672218	4-1/4	5-1/4	.235	.250 ±.005	4.250	5.225 ±.005	32.07
CTC-3358964	4-1/2	5-1/2	.235	.250 ±.005	4.500	5.500 ±.005	91.44
CTC-1672221	4-3/4	5-3/4	.235	.250 ±.005	4.750	5.725 ±.005	339.22
CTC-1672227	5-3/4	6-3/4	1/4	.250 ±.005	5.750	6.725 ±.005	44.17
CTC-1351995	7	7-15/16	1/4	.250 ±.005	7.000	7.945 ±.005	88.74
CTC-1672233	7	7-15/16	1/4	.250 ±.005	7.000	7.945 ±.005	88.74
CTC-3469380	7	7-15/16	1/4	.250 ±.005	7.000	7.945 ±.005	88.74

CATERPILLAR® SPECIFIC BUFFER SEALS - 1 PIECE

See Caterpillar® heading in kit catalog for more Caterpillar® replacement parts.



SEAL INFORMATION	
MATERIAL	92A URETHANE
TEMPERATURE RANGE	-40° TO +200° F
PRESSURE RANGE	0 TO 5,000 PSI
SPEED	3 FT/SEC

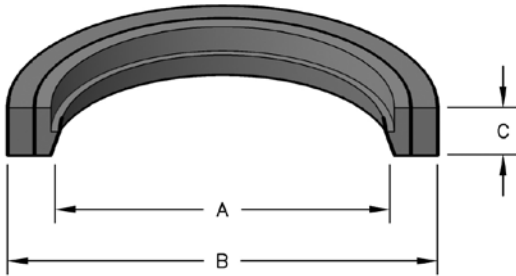


ROD BUFFER SEALS

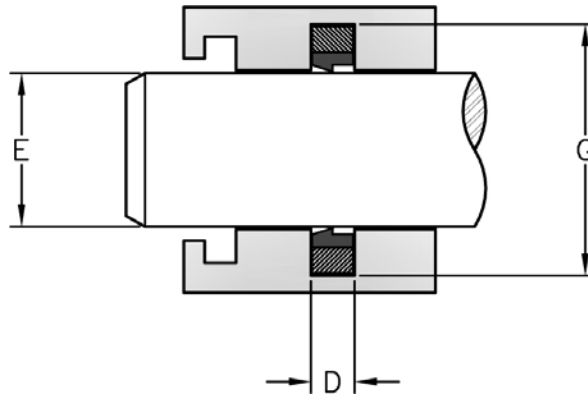
Part Number	A Nom. ID	B Nom. OD	C Nom. Ht	D GROOVE WIDTH	E ROD DIAMETER	G HOUSING DIAMETER	List Price
CTC-5P4673	7/8	1-1/4	.115	.140 ±.005	.875	1.240 ±.005	\$6.53
CTC-9J3497	1-1/4	1-13/16	.115	.140 ±.005	1.250	1.783 ±.005	8.32
CTC-6J9733	1-1/2	2-1/16	.115	.140 ±.005	1.500	2.033 ±.005	9.09
CTC-6J9178	1-3/4	2-5/16	.115	.140 ±.005	1.750	2.283 ±.005	7.40
CTC-4T6778	1-7/8	2-1/4	.115	.140 ±.005	1.875	2.252 ±.005	20.12
CTC-6J6917	2	2-9/16	.115	.140 ±.005	2.000	2.533 ±.005	6.93
CTC-4T6127	2-1/8	2-5/8	.115	.140 ±.005	2.125	2.627 ±.005	9.34
CTC-5J3616	2-1/4	2-15/16	.188	.220 ±.005	2.250	2.891 ±.005	10.46
CTC-6J6916	2-3/8	3-1/16	.188	.220 ±.005	2.375	3.016 ±.005	9.36
CTC-5J3620	2-1/2	3-3/16	.188	.220 ±.005	2.500	3.141 ±.005	8.75
CTC-1U4020	2-5/8	3-1/4	.21	.220 ±.005	2.625	3.266 ±.005	16.71
CTC-6J6553	2-3/4	3-7/16	.188	.220 ±.005	2.750	3.391 ±.005	10.27
CTC-6J6915	3	3-5/8	.188	.220 ±.005	3.000	3.641 ±.005	11.88
CTC-6J7167	3-1/4	3-15/16	.188	.220 ±.005	3.250	3.891 ±.005	11.25
CTC-6J6736	3-1/2	4-3/16	.188	.220 ±.005	3.500	4.141 ±.005	13.18
CTC-8J6070	3-3/4	4-7/16	.188	.220 ±.005	3.750	4.391 ±.005	14.90
CTC-8J4627	4	4-11/16	.188	.220 ±.005	4.000	4.641 ±.005	21.61
CTC-7J8943	4-1/4	5-1/4	.218	.250 ±.005	4.250	5.225 ±.005	30.41
CTC-3G5055	4-3/8	5-1/4	.218	.250 ±.005	4.375	5.225 ±.005	14.12
CTC-7J9257	4-3/4	5-3/4	.218	.250 ±.005	4.750	5.725 ±.005	19.82
CTC-8J4509	5	6	.221	.250 ±.005	5.000	5.960 ±.005	20.54
CTC-6J8631	6-1/2	7-9/16	.218	.250 ±.005	6.500	7.502 ±.005	28.30
CTC-9J2495	7	8	.22	.250 ±.005	7.000	7.945 ±.005	34.95

CATERPILLAR® SPECIFIC BUFFER SEALS - 2 PIECE

See Caterpillar® heading in kit catalog for more Caterpillar® replacement parts.



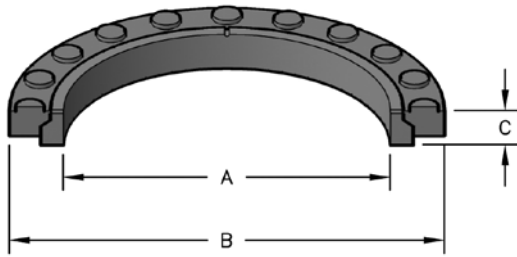
SEAL INFORMATION	
MATERIAL	BRONZE FILLED PTFE SEAL RUBBER ENERGIZER
TEMPERATURE RANGE	-40° TO +220° F
PRESSURE RANGE	0 TO 5,000 PSI
SPEED	12 FT/SEC



Part Number	A Nom. ID	B Nom. OD	C Nom. Ht	D GROOVE WIDTH	E ROD DIAMETER	G HOUSING DIAMETER	List Price
CTC-8C9122	1-1/2	2-1/16	.128	.140 ±.005	1.500	2.033 ±.005	\$22.44
CTC-8C9123	1-3/4	2-5/16	.128	.140 ±.005	1.750	2.283 ±.005	23.92
CTC-9X3566	1-7/8	2-1/4	.128	.140 ±.005	1.875	2.252 ±.005	24.36
CTC-8C9124	2	2-9/16	.128	.140 ±.005	2.000	2.533 ±.005	26.19
CTC-9X3568	2-1/8	2-5/8	.128	.140 ±.005	2.125	2.627 ±.005	30.25
CTC-8C9125	2-1/4	2-7/8	.2	.220 ±.005	2.250	2.891 ±.005	33.73
CTC-8C9138	2-3/8	3	.2	.220 ±.005	2.375	3.016 ±.005	37.57
CTC-8C3839	2-1/2	3-1/8	.2	.220 ±.005	2.500	3.141 ±.005	31.22
CTC-9T9363	2-5/8	3-1/4	.2	.220 ±.005	2.625	3.266 ±.005	36.54
CTC-8C3841	2-3/4	3-3/8	.2	.220 ±.005	2.750	3.391 ±.005	39.82
CTC-8C9126	3	3-11/16	.2	.220 ±.005	3.000	3.641 ±.005	26.46
CTC-8C9121	3-1/4	3-7/8	.2	.220 ±.005	3.250	3.891 ±.005	39.67
CTC-8C9127	3-1/2	4-3/16	.2	.220 ±.005	3.500	4.141 ±.005	47.95
CTC-8C9128	3-3/4	4-3/8	.2	.220 ±.005	3.750	4.391 ±.005	50.84
CTC-8C9129	4	4-5/8	.2	.220 ±.005	4.000	4.641 ±.005	53.61
CTC-8C9144	4-1/2	5-1/2	.23	.250 ±.005	4.500	5.475 ±.005	74.28
CTC-8C9130	7	7-15/16	.23	.250 ±.005	7.000	7.945 ±.005	99.81

STYLE BRS BUFFER SEALS

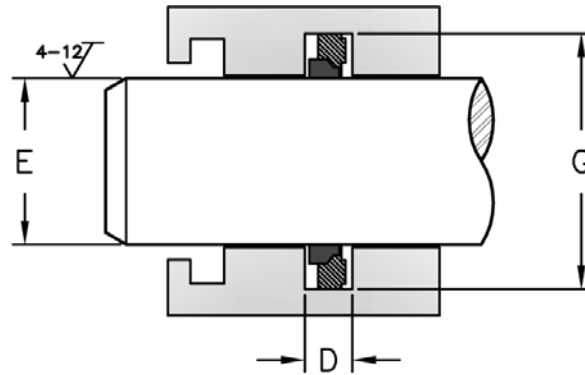
Molded in Bronze filled PTFE with a rubber energizer, this heavy duty buffer seal is ideal for heavy duty service to protect the primary seal from damage caused by pressure spikes and excessive heat build up.



HERCULES PART NUMBERS

BRS - 175 02
 Type of Seal Nominal Seal ID O-Ring Cross Section

SEAL INFORMATION	
MATERIAL	BRONZE PTFE BUFFER, RUBBER ENERGIZER
TEMPERATURE RANGE	-40° TO +220° F
PRESSURE RANGE	0 TO 5,000 PSI
SPEED	15 FT/SEC



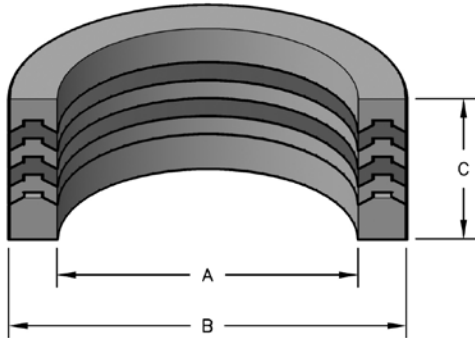
ROD BUFFER SEALS

Part Number	A Nom. ID	B Nom. OD	C Nom. Ht	D GROOVE WIDTH	E ROD DIAMETER	G HOUSING DIAMETER	List Price
BRS-17502	1-3/4	2.174	.158	.166 ^{+0.010} / _{+0.000}	1.750 ^{+0.000} / _{-.003}	2.174 ^{+0.004} / _{+0.000}	\$44.02
BRS-20003	2	2.616	.235	.247 ^{+0.010} / _{+0.000}	2.000 ^{+0.000} / _{-.004}	2.616 ^{+0.005} / _{+0.000}	58.24
BRS-25003	2-1/2	3.116	.235	.247 ^{+0.010} / _{+0.000}	2.500 ^{+0.000} / _{-.004}	3.116 ^{+0.005} / _{+0.000}	66.46
BRS-27503	2-3/4	3.366	.235	.247 ^{+0.010} / _{+0.000}	2.750 ^{+0.000} / _{-.004}	3.366 ^{+0.005} / _{+0.000}	68.51
BRS-30003	3	3.616	.235	.247 ^{+0.010} / _{+0.000}	3.000 ^{+0.000} / _{-.004}	3.616 ^{+0.005} / _{+0.000}	70.65
BRS-32503	3-1/4	3.866	.235	.247 ^{+0.010} / _{+0.000}	3.250 ^{+0.000} / _{-.004}	3.866 ^{+0.005} / _{+0.000}	72.26
BRS-35003	3-1/2	4.116	.235	.247 ^{+0.010} / _{+0.000}	3.500 ^{+0.000} / _{-.004}	4.116 ^{+0.005} / _{+0.000}	75.59
BRS-40003	4	4.616	.235	.247 ^{+0.010} / _{+0.000}	4.000 ^{+0.000} / _{-.004}	4.616 ^{+0.005} / _{+0.000}	81.69
BRS-45003	4-1/2	5.116	.235	.247 ^{+0.010} / _{+0.000}	4.500 ^{+0.000} / _{-.004}	5.116 ^{+0.005} / _{+0.000}	87.76
BRS-50003	5	5.616	.235	.247 ^{+0.010} / _{+0.000}	5.000 ^{+0.000} / _{-.004}	5.616 ^{+0.005} / _{+0.000}	104.73
BRS-80003	8	8.83	.305	.320 ^{+0.010} / _{+0.000}	8.000 ^{+0.000} / _{-.005}	8.830 ^{+0.006} / _{+0.000}	300.69

HYDROLOCK VEE PACKING SETS



These vee sets utilize hytrel & nylon vees to cover pressure from 0 to 6,000 psi and provide excellent extrusion resistance. Male & female bearings are molded from glass filled nylon. **NOTE:** These vee sets do not contain guidelock bearings. They are sold seperately as shown in the next section.



HERCULES PART NUMBERS

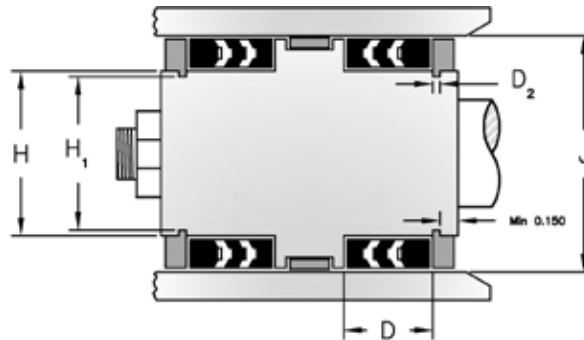
HDLV 1741 - 275 - 100FB

Type of Seal | # of Vees | Outside Diameter | Bearing Height

1740 = 3 VEES
1741 = 4 VEES
1742 = 5 VEES

SEAL INFORMATION	
MATERIAL	HYTREL & NYLON
TEMPERATURE RANGE	-40° TO +220° F
PRESSURE RANGE	0 TO 6,000 PSI
SPEED	1.5 FT/SEC

FB= FEMALE BEARING



VEE PACKING SETS

Part Number	A Nom. ID	B Nom. OD	C Nom. Ht	D GROOVE WIDTH	H GROOVE DIAMETER	H ₁ BEARING GROOVE DIAMETER	J BORE DIAMETER	D ₂ BASE GROOVE WIDTH	List Price
HDLV-1741-175	1-1/4	1-3/4	.82	.820 ±.005	1.250 ^{+.000} / _{-.005}	N/A	1.750 ^{+.010} / _{+.000}	N/A	\$68.46
HDLV-1742-200	1-1/2	2	1	1.000 ±.005	1.500 ^{+.000} / _{-.005}	1.375 ^{+.000} / _{-.003}	2.000 ^{+.010} / _{+.000}	.252 ^{+.005} / _{+.000}	82.03
HDLV-1742-225	1-3/4	2-1/4	1	1.000 ±.005	1.750 ^{+.000} / _{-.005}	1.500 ^{+.000} / _{-.003}	2.250 ^{+.010} / _{+.000}	.252 ^{+.005} / _{+.000}	60.55
HDLV-1742-250	2	2-1/2	1	1.000 ±.005	2.000 ^{+.000} / _{-.005}	1.750 ^{+.000} / _{-.003}	2.500 ^{+.010} / _{+.000}	.252 ^{+.005} / _{+.000}	66.22
HDLV-1742-250-100FB	2	2-1/2	1-3/4	1.750 ±.005	2.000 ^{+.000} / _{-.005}	1.750 ^{+.000} / _{-.003}	2.500 ^{+.010} / _{+.000}	.252 ^{+.005} / _{+.000}	115.88
HDLV-275-200-175	2	2-3/4	1-3/4	1.750 ±.005	2.000 ^{+.000} / _{-.005}	N/A	2.750 ^{+.010} / _{+.000}	N/A	115.75
HDLV-1742-275	2-1/4	2-3/4	1	1.000 ±.005	2.250 ^{+.000} / _{-.005}	2.000 ^{+.000} / _{-.003}	2.750 ^{+.010} / _{+.000}	.252 ^{+.005} / _{+.000}	71.69
HDLV-1741-275-100FB	2-1/4	2-3/4	1-5/8	1.625 ±.005	2.250 ^{+.000} / _{-.005}	2.250 ^{+.000} / _{-.008}	2.750 ^{+.010} / _{+.000}	.252 ^{+.005} / _{+.000}	67.92
HDLV-1742-275-100FB	2-1/4	2-3/4	1-3/4	1.750 ±.005	2.250 ^{+.000} / _{-.005}	2.000 ^{+.000} / _{-.003}	2.750 ^{+.010} / _{+.000}	.252 ^{+.005} / _{+.000}	104.71
HDLV-300-250-082	2-1/2	3	13/16	.813 ±.005	2.500 ^{+.000} / _{-.005}	N/A	3.000 ^{+.010} / _{+.000}	N/A	63.16
HDLV-300-250-087	2-1/2	3	7/8	.875 ±.005	2.500 ^{+.000} / _{-.005}	N/A	3.000 ^{+.010} / _{+.000}	N/A	68.79
HDLV-1742-300	2-1/2	3	1	1.000 ±.005	2.500 ^{+.000} / _{-.005}	2.250 ^{+.000} / _{-.003}	3.000 ^{+.010} / _{+.000}	.252 ^{+.005} / _{+.000}	61.87
HDLV-1741-300-050FB	2-1/2	3	1-1/8	1.125 ±.005	2.500 ^{+.000} / _{-.005}	2.250 ^{+.000} / _{-.003}	3.000 ^{+.010} / _{+.000}	.252 ^{+.005} / _{+.000}	72.62
HDLV-1742-300-100FB	2-1/2	3	1-3/4	1.750 ±.005	2.500 ^{+.000} / _{-.005}	2.250 ^{+.000} / _{-.003}	3.000 ^{+.010} / _{+.000}	.252 ^{+.005} / _{+.000}	146.10
HDLV-1742-312-100FB	2-1/2	3-1/8	1-11/16	1.687 ±.005	2.500 ^{+.000} / _{-.005}	N/A	3.125 ^{+.010} / _{+.000}	N/A	192.97



HYDROLOCK VEE PACKING SETS

VEE PACKING SETS

Part Number	A Nom. ID	B Nom. OD	C Nom. Ht	D GROOVE WIDTH	H GROOVE DIAMETER	H ₁ BEARING GROOVE DIAMETER	J BORE DIAMETER	D ₂ BASE GROOVE WIDTH	List Price
HDLV-1742-325	2-3/4	3-1/4	1	1.000 ±.005	2.750 ^{+0.00} _{-.005}	2.500 ^{+0.00} _{-.003}	3.250 ^{+0.01} _{+0.000}	.252 ^{+0.005} _{+0.000}	72.62
HDLV-1742-325-100FB	2-3/4	3-1/4	1-3/4	1.750 ±.005	2.750 ^{+0.00} _{-.005}	2.500 ^{+0.00} _{-.003}	3.250 ^{+0.01} _{+0.000}	.252 ^{+0.005} _{+0.000}	115.15
HDLV-1740-350	3	3-1/2	3/4	.750 ±.005	3.000 ^{+0.00} _{-.005}	2.750 ^{+0.00} _{-.003}	3.500 ^{+0.01} _{+0.000}	.252 ^{+0.005} _{+0.000}	47.93
HDLV-350-300-082	3	3-1/2	13/16	.813 ±.005	3.000 ^{+0.00} _{-.005}	N/A	3.500 ^{+0.01} _{+0.000}	N/A	66.47
HDLV-1742-350	3	3-1/2	1	1.000 ±.005	3.000 ^{+0.00} _{-.005}	2.750 ^{+0.00} _{-.003}	3.500 ^{+0.01} _{+0.000}	.252 ^{+0.005} _{+0.000}	76.29
HDLV-1741-350-050FB	3	3-1/2	1-1/8	1.125 ±.005	3.000 ^{+0.00} _{-.005}	2.750 ^{+0.00} _{-.003}	3.500 ^{+0.01} _{+0.000}	.252 ^{+0.005} _{+0.000}	191.83
HDLV-1742-350-100FB	3	3-1/2	1-3/4	1.750 ±.005	3.000 ^{+0.00} _{-.005}	2.750 ^{+0.00} _{-.003}	3.500 ^{+0.01} _{+0.000}	.252 ^{+0.005} _{+0.000}	175.08
HDLV-375-300-175	3	3-3/4	1-3/4	1.750 ±.005	3.000 ^{+0.00} _{-.005}	N/A	3.750 ^{+0.01} _{+0.000}	N/A	267.94
HDLV-1740-400	3-1/2	4	3/4	.750 ±.005	3.500 ^{+0.00} _{-.005}	3.250 ^{+0.00} _{-.003}	4.000 ^{+0.01} _{+0.000}	.377 ^{+0.005} _{+0.000}	79.86
HDLV-1742-400	3-1/2	4	1	1.000 ±.005	3.500 ^{+0.00} _{-.005}	3.250 ^{+0.00} _{-.003}	4.000 ^{+0.01} _{+0.000}	.377 ^{+0.005} _{+0.000}	87.26
HDLV-1741-400-050FB	3-1/2	4	1-1/8	1.125 ±.005	3.500 ^{+0.00} _{-.005}	3.250 ^{+0.00} _{-.003}	4.000 ^{+0.01} _{+0.000}	.377 ^{+0.005} _{+0.000}	107.66
HDLV-1742-400-100FB	3-1/2	4	1-3/4	1.750 ±.005	3.500 ^{+0.00} _{-.005}	3.250 ^{+0.00} _{-.003}	4.000 ^{+0.01} _{+0.000}	.377 ^{+0.005} _{+0.000}	160.44
HDLV-425-350-087	3-1/2	4-1/4	7/8	.875 ±.005	3.500 ^{+0.00} _{-.005}	N/A	4.250 ^{+0.01} _{+0.000}	N/A	119.80
HDLV-1741-425-100FB	3-3/4	4-1/4	1-5/8	1.625 ±.005	3.750 ^{+0.00} _{-.005}	3.500 ^{+0.00} _{-.003}	4.250 ^{+0.01} _{+0.000}	.377 ^{+0.005} _{+0.000}	258.22
HDLV-450-400-082	4	4-1/2	13/16	.813 ±.005	4.000 ^{+0.00} _{-.005}	N/A	4.500 ^{+0.01} _{+0.000}	N/A	70.92
HDLV-1742-450	4	4-1/2	1	1.000 ±.005	4.000 ^{+0.00} _{-.005}	3.750 ^{+0.00} _{-.030}	4.500 ^{+0.01} _{+0.000}	.377 ^{+0.005} _{+0.000}	96.18
HDLV-1741-450-050FB	4	4-1/2	1-1/8	1.125 ±.005	4.000 ^{+0.00} _{-.005}	3.750 ^{+0.00} _{-.003}	4.500 ^{+0.01} _{+0.000}	.377 ^{+0.005} _{+0.000}	216.83
HDLV-1742-450-100FB	4	4-1/2	1-3/4	1.750 ±.005	4.000 ^{+0.00} _{-.005}	3.750 ^{+0.00} _{-.003}	4.500 ^{+0.01} _{+0.000}	.377 ^{+0.005} _{+0.000}	160.44
HDLV-503-402-152	4.02	5.03	1.527	1.527 ±.005	4.020 ^{+0.00} _{-.005}	N/A	5.030 ^{+0.01} _{+0.000}	N/A	67.60
HDLV-1740-500	4-1/2	5	3/4	.750 ±.005	4.500 ^{+0.00} _{-.005}	4.125 ^{+0.00} _{-.003}	5.000 ^{+0.01} _{+0.000}	.377 ^{+0.005} _{+0.000}	122.84
HDLV-1741-500	4-1/2	5	7/8	.875 ±.005	4.500 ^{+0.00} _{-.005}	4.125 ^{+0.00} _{-.003}	5.000 ^{+0.01} _{+0.000}	.377 ^{+0.005} _{+0.000}	75.62
HDLV-1742-500	4-1/2	5	1	1.000 ±.005	4.500 ^{+0.00} _{-.005}	4.125 ^{+0.00} _{-.003}	5.000 ^{+0.01} _{+0.000}	.377 ^{+0.005} _{+0.000}	152.83
HDLV-1741-500-050FB	4-1/2	5	1-1/8	1.125 ±.005	4.500 ^{+0.00} _{-.005}	4.125 ^{+0.00} _{-.003}	5.000 ^{+0.01} _{+0.000}	.377 ^{+0.005} _{+0.000}	114.00
HDLV-1741-500-075FB	4-1/2	5	1-3/8	1.375 ±.005	4.500 ^{+0.00} _{-.005}	4.125 ^{+0.00} _{-.003}	5.000 ^{+0.01} _{+0.000}	.377 ^{+0.005} _{+0.000}	110.56
HDLV-1742-500-100FB	4-1/2	5	1-3/4	1.750 ±.005	4.500 ^{+0.00} _{-.005}	4.125 ^{+0.00} _{-.003}	5.000 ^{+0.01} _{+0.000}	.377 ^{+0.005} _{+0.000}	226.03
HDLV-550-500-082	5	5-1/2	13/16	.813 ±.005	5.000 ^{+0.00} _{-.005}	N/A	5.500 ^{+0.01} _{+0.000}	N/A	82.19
HDLV-1742-550	5	5-1/2	1	1.000 ±.005	5.000 ^{+0.00} _{-.005}	4.625 ^{+0.00} _{-.003}	5.500 ^{+0.01} _{+0.000}	.377 ^{+0.005} _{+0.000}	140.93
HDLV-1742-550-050FB	5	5-1/2	1-1/4	1.250 ±.005	5.000 ^{+0.00} _{-.005}	4.625 ^{+0.00} _{-.003}	5.500 ^{+0.01} _{+0.000}	.377 ^{+0.005} _{+0.000}	161.17
HDLV-603-503-150	5.03	6.03	1-1/2	1.500 ±.005	5.030 ^{+0.00} _{-.005}	N/A	6.030 ^{+0.01} _{+0.000}	N/A	103.64
HDLV-1740-600	5-1/2	6	3/4	.750 ±.005	5.500 ^{+0.00} _{-.005}	5.125 ^{+0.00} _{-.003}	6.000 ^{+0.01} _{+0.000}	.377 ^{+0.005} _{+0.000}	70.33
HDLV-1742-600	5-1/2	6	1	1.000 ±.005	5.500 ^{+0.00} _{-.005}	5.125 ^{+0.00} _{-.003}	6.000 ^{+0.01} _{+0.000}	.377 ^{+0.005} _{+0.000}	181.22
HDLV-1741-600-050FB	5-1/2	6	1-1/8	1.125 ±.005	5.500 ^{+0.00} _{-.005}	5.125 ^{+0.00} _{-.003}	6.000 ^{+0.01} _{+0.000}	.377 ^{+0.005} _{+0.000}	181.99
HDLV-1742-600-100FB	5-1/2	6	1-3/4	1.750 ±.005	5.500 ^{+0.00} _{-.005}	5.125 ^{+0.00} _{-.003}	6.000 ^{+0.01} _{+0.000}	.377 ^{+0.005} _{+0.000}	188.51

HYDROLOCK VEE PACKING SETS



VEE PACKING SETS

Part Number	A Nom. ID	B Nom. OD	C Nom. Ht	D GROOVE WIDTH	H GROOVE DIAMETER	H ₁ BEARING GROOVE DIAMETER	J BORE DIAMETER	D ₂ BASE GROOVE WIDTH	List Price
HDLV-1740-627	5-3/4	6.265	3/4	.750 ±.005	5.750 ^{+0.000} _{-.005}	5.375 ^{+0.000} _{-.003}	6.265 ^{+0.010} _{+0.000}	.377 ^{+0.005} _{+0.000}	76.04
HDLV-1742-650	6	6-1/2	1	1.000 ±.005	6.000 ^{+0.000} _{-.005}	5.625 ^{+0.000} _{-.003}	6.500 ^{+0.010} _{+0.000}	.377 ^{+0.005} _{+0.000}	255.00
HDLV-1742-650-050FB	6	6-1/2	1-1/4	1.250 ±.005	6.000 ^{+0.000} _{-.005}	5.625 ^{+0.000} _{-.003}	6.500 ^{+0.010} _{+0.000}	.377 ^{+0.005} _{+0.000}	191.63
HDLV-703-603-150	6.03	7.03	1-1/2	1.500 ±.005	6.030 ^{+0.000} _{-.005}	N/A	7.030 ^{+0.010} _{+0.000}	N/A	127.03
HDLV-1742-700	6-1/2	7	1	1.000 ±.005	6.500 ^{+0.000} _{-.005}	6.125 ^{+0.000} _{-.003}	7.000 ^{+0.010} _{+0.000}	.377 ^{+0.005} _{+0.000}	190.91
HDLV-1741-725	6-3/4	7-1/4	7/8	.875 ±.005	6.750 ^{+0.000} _{-.005}	N/A	7.250 ^{+0.010} _{+0.000}	N/A	241.50
HDLV-1742-750	7	7-1/2	1	1.000 ±.005	7.000 ^{+0.000} _{-.005}	6.625 ^{+0.000} _{-.003}	7.500 ^{+0.010} _{+0.000}	.377 ^{+0.005} _{+0.000}	218.63
HDLV-1742-750-100FB	7	7-1/2	1-3/4	1.750 ±.005	7.000 ^{+0.000} _{-.005}	6.625 ^{+0.000} _{-.003}	7.500 ^{+0.010} _{+0.000}	.377 ^{+0.005} _{+0.000}	324.95
HDLV-800-080	7-1/2	8	.8	.800 ±.005	7.500 ^{+0.000} _{-.005}	7.125 ^{+0.000} _{-.003}	8.000 ^{+0.010} _{+0.000}	.377 ^{+0.005} _{+0.000}	213.89
HDLV-1742-800	7-1/2	8	1	1.000 ±.005	7.500 ^{+0.000} _{-.005}	7.125 ^{+0.000} _{-.003}	8.000 ^{+0.010} _{+0.000}	.377 ^{+0.005} _{+0.000}	226.16
HDLV-1742-800-100FB	7-1/2	8	1-3/4	1.750 ±.005	7.500 ^{+0.000} _{-.005}	7.125 ^{+0.000} _{-.003}	8.000 ^{+0.010} _{+0.000}	.377 ^{+0.005} _{+0.000}	348.19
HDLV-1742-850-100FB	8	8-1/2	1-3/4	1.750 ±.005	8.000 ^{+0.000} _{-.005}	7.625 ^{+0.000} _{-.003}	8.500 ^{+0.010} _{+0.000}	.377 ^{+0.005} _{+0.000}	352.82
HDLV-1742-900	8-1/2	9	1	1.000 ±.005	8.500 ^{+0.000} _{-.005}	8.125 ^{+0.000} _{-.003}	9.000 ^{+0.010} _{+0.000}	.377 ^{+0.005} _{+0.000}	405.56
HDLV-1742-900-100FB	8-1/2	9	1-3/4	1.750 ±.005	8.500 ^{+0.000} _{-.005}	8.125 ^{+0.000} _{-.003}	9.000 ^{+0.010} _{+0.000}	.377 ^{+0.005} _{+0.000}	433.81

GUIDELOCK PISTON BEARINGS

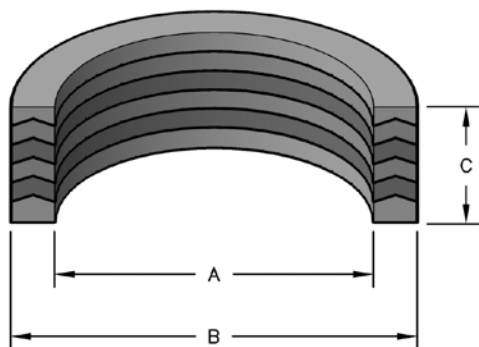
Molded from glass filled nylon, these step-cut bearings also act as retainers for Hydrolock vee sets. The following bore sizes are available.

Part Number	A Nom. ID	B Nom. OD	C Nom. Ht	List Price
HDLG-200	1-3/8	2	5/16	\$38.86
HDLG-250	1-3/4	2-1/2	3/8	47.59
HDLG-300	2-1/4	3	3/8	43.61
HDLG-350	2-3/4	3-1/2	3/8	53.28
HDLG-400	3-1/4	4	1/2	60.15
HDLG-450	3-3/4	4-1/2	1/2	63.73
HDLG-500	4-1/8	5	1/2	67.80
HDLG-550	4-5/8	5-1/2	1/2	73.36
HDLG-600	5-1/8	6	1/2	80.81
HDLG-627	5-3/8	6.27	1/2	95.27
HDLG-650	5-5/8	6-1/2	1/2	100.65
HDLG-700	6-1/8	7	1/2	103.98
HDLG-750	6-5/8	7-1/2	1/2	113.32
HDLG-800	7-1/8	8	1/2	119.42
HDLG-900	8-1/8	9	1/2	172.85



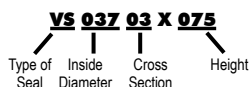
VEE PACKING SETS

Our vee sets are the finest quality available in the industry. While all sets incorporate fabric reinforced rubber pressure rings, one or two urethane rings are included to improve low pressure sealing, when it is feasible. Most sets use nylon adaptors. Properly installed the pressure limits are as follows:



VEE SET ELEMENTS

HERCULES PART NUMBERS



3,000 PSI = 4 VEEES
5,000 PSI = 5 VEEES
10,000 PSI = 6 VEEES

CONSTRUCTION CODE Example: FA-2U-2F-MA

FA - 1 TOP ADAPTOR
2U - 2 URETHANE VEE RINGS
2F - 2 FABRIC VEE RINGS
MA - 1 BOTTOM ADAPTOR

SEAL INFORMATION

MATERIAL	FABRIC REINFORCED RUBBER URETHANE RING/NYLON ADAPTORS
TEMPERATURE RANGE	-35° TO +220° F
PRESSURE RANGE	0 TO 10,000 PSI
SPEED	1.5 FT/SEC

F= FABRIC VEE
U= URETHANE VEE
T= PTFE VEE
R= RUBBER VEE
N= NYLON VEE
H= HYTREL VEE
W= WIPER INCLUDED

Part Number	A Nom. ID	B Nom. OD	C Nom. Ht	CONSTRUCTION T-V-B	List Price
VS03703X075	3/8	3/4	3/4	FA-4F-MA	\$26.29
VS03704X050	3/8	7/8	1/2	FA-1F-MA	28.61
VS05003X062	1/2	7/8	5/8	FA-3F-MA	14.01
VS05004X075	1/2	1	3/4	FA-3F-MA	16.76
VS05004X087	1/2	1	7/8	FA-4F-MA	17.05
VS06203X082	5/8	1	13/16	FA-4F-MA	18.39
VS06204X100	5/8	1-1/8	1	FA-5F-MA	19.48
VS06205X125	5/8	1-1/4	1-1/4	FA-5F-MA	62.45
VS07503X075	3/4	1-1/8	3/4	FA-4F-MA	23.74
VS07503X100	3/4	1-1/8	1	FA-6F-MA	30.76
VS07504X068	3/4	1-1/4	11/16	FA-2F-MA	19.71
VS07504X100	3/4	1-1/4	1	FA-5F-MA	19.48
VS07505X103	3/4	1-3/8	1-1/32	FA-4F-MA	17.44
VS07506X112	3/4	1-1/2	1-1/8	FA-3F-MA	22.01
VS08104X071	13/16	1-5/16	.71	4F-MA	16.74
VS08104X087	13/16	1-5/16	7/8	FA-2U-2F-MA	16.35
VS08703X075	7/8	1-1/4	3/4	FA-3F-MA	15.61
VS08704X075	7/8	1-3/8	3/4	FA-3F-MA	10.43
VS08704X100	7/8	1-3/8	1	FA-4F-MA	19.27
VS08705X103	7/8	1-1/2	1-1/32	FA-4F-MA	22.91
VS10003X074	1	1-3/8	.74	FA-2U-2F-MA	29.20
VS10003X095	1	1-3/8	61/64	FA-2U-3F-MA	19.95
VS10003X100	1	1-3/8	1	FA-6F-MA	22.01
VS10004X075	1	1-1/2	3/4	FA-3F-MA	13.87
VS10004X100	1	1-1/2	1	FA-5F-MA	19.39
VS10004X112	1	1-1/2	1-1/8	FA-6F-MA	22.26
VS10005X103	1	1-5/8	1-1/32	FA-4F-MA	17.44
VS10006X100	1	1-3/4	1	FA-3F-MA	22.77
VS10604X100	1-1/16	1-9/16	1	FA-5F-MA	182.75
VS11204X087	1-1/8	1-5/8	7/8	FA-4F-MA	16.99
VS11205X103	1-1/8	1-3/4	1-1/32	FA-4F-MA	19.62
VS11803X125	1-3/16	1-9/16	1-1/4	FA-6F-MA	57.60
VS11804X087	1-3/16	1-11/16	7/8	FA-4F-MA	18.74
VS12504X075	1-1/4	1-3/4	3/4	FA-3F-MA	19.68

Part Number	A Nom. ID	B Nom. OD	C Nom. Ht	CONSTRUCTION T-V-B	List Price
VS12504X078	1-1/4	1-3/4	.78	FA-3R-2T-MA	36.89
VS12504X082	1-1/4	1-3/4	.82	FA-2U-2F-MA	17.05
VS12504X100	1-1/4	1-3/4	1	FA-5F-MA	19.78
VS12504X112	1-1/4	1-3/4	1-1/8	FA-6F-MA	22.55
VS12505X103	1-1/4	1-7/8	1-1/32	FA-4F-MA	25.09
VS12506X100	1-1/4	2	1	FA-1U-2F-MA	23.68
VS12508X100	1-1/4	2-1/4	1	FA-2F-MA	33.68
VS12508X150	1-1/4	2-1/4	1-1/2	FA-4F-MA	37.14
VS13703X106	1-3/8	1-3/4	1-1/16	FA-6F-MA	24.23
VS13704X075	1-3/8	1-7/8	3/4	FA-3F-MA	15.70
VS13704X100	1-3/8	1-7/8	1	FA-2U-3F-MA	19.48
VS13705X103	1-3/8	2	1-1/32	FA-4F-MA	25.61
VS13706X125	1-3/8	2-1/8	1-1/4	FA-4F-MA	54.55
VS15003X082	1-1/2	1-7/8	.82	FA-2U-3F-MA	31.90
VS15004X075	1-1/2	2	3/4	FA-1U-2F-MA	35.08
VS15004X082	1-1/2	2	.82	FA-4F-MA	14.42
VS15004X082-1131	1-1/2	2	.82	FA-1U-3F-MA	29.20
VS15004X087	1-1/2	2	7/8	FA-1U-3F-MA	24.79
VS15004X100	1-1/2	2	1	FA-2U-3F-MA	19.62
VS15004X112	1-1/2	2	1-1/8	FA-2U-4F-MA	22.55
VS15004X125	1-1/2	2	1-1/4	FA-7F-MA	37.21
VS15005X103	1-1/2	2-1/8	1.031	FA-2U-2F-MA	22.94
VS15005X106	1-1/2	2-1/8	1-1/16	FA-3R-2T-MA	43.12
VS15005X118	1-1/2	2-1/8	1-3/16	FA-5F-MA	26.95
VS15006X100	1-1/2	2-1/4	1	FA-3F-MA	18.95
VS15007X175	1-1/2	2-3/8	1-3/4	FA-6F-MA	67.52
VS15008X125	1-1/2	2-1/2	1-1/4	FA-1U-2F-MA	37.14
VS15008X150	1-1/2	2-1/2	1-1/2	FA-2U-2F-MA	69.43
VS16204X075	1-5/8	2-1/8	3/4	FA-3U-MA	16.87
VS16204X100	1-5/8	2-1/8	1	FA-5F-MA	25.07
VS16204X112	1-5/8	2-1/8	1-1/8	FA-6F-MA	26.95
VS16205X087	1-5/8	2-1/4	7/8	FA-3F-MA	24.74
VS16205X103	1-5/8	2-1/4	1-1/32	FA-4F-MA	26.17
VS17503X043	1-3/4	2-1/8	.437	4F	18.05

VEE PACKING SETS

VEE PACKING SETS

Part Number	A Nom. ID	B Nom. OD	C Nom. Ht	CONSTRUCTION T-V-B	List Price
VS17503X087	1-3/4	2-1/8	7/8	FA-2U-3F-MA	52.61
VS17504X068	1-3/4	2-1/4	11/16	FA-2R-2T	82.14
VS17504X082	1-3/4	2-1/4	.82	FA-1U-3F-MA	16.35
VS17504X087	1-3/4	2-1/4	7/8	FA-1U-3F-MA	16.90
VS17504X100	1-3/4	2-1/4	1	FA-5F-MA	23.96
VS17504X112	1-3/4	2-1/4	1-1/8	FA-2U-4F-MA	24.79
VS17505X089	1-3/4	2-3/8	.894	FA-1U-2F-MA	25.61
VS17505X100S	1-3/4	2-3/8	1	FA-3R-2T	37.40
VS17505X103	1-3/4	2-3/8	1-1/32	FA-2U-2F-MA	26.53
VS17505X112	1-3/4	2-3/8	1-1/8	FA-5F-MA	31.04
VS17505X118	1-3/4	2-3/8	1-3/16	FA-5F-MA	32.33
VS17506X100	1-3/4	2-1/2	1	FA-3F-MA	30.17
VS17506X111H	1-3/4	2-1/2	1.11	FA-4R-MA	85.94
VS17506X156	1-3/4	2-1/2	1-9/16	FA-6F-MA	35.31
VS18704X112	1-7/8	2-3/8	1-1/8	FA-6F-MA	25.61
VS18705X103	1-7/8	2-1/2	1-1/32	FA-4F-MA	28.84
VS18706X112	1-7/8	2-5/8	1-1/8	FA-4F-MA	34.45
VS19304X112	1-15/16	2-7/16	1-1/8	FA-6F-MA	184.18
VS20003X075	2	2-3/8	3/4	FA-2F-2R-MA	35.98
VS20004X062	2	2-1/2	5/8	FA-1U-1F-MA	14.93
VS20004X082	2	2-1/2	.82	FA-4F-MA	17.82
VS20004X087	2	2-1/2	7/8	FA-2U-2F-MA	20.10
VS20004X087W	2	2-1/2	7/8	2U-2F	22.25
VS20004X100	2	2-1/2	1	FA-2U-3F-MA	22.70
VS20004X112	2	2-1/2	1-1/8	FA-2U-4F-MA	25.18
VS20005X087	2	2-5/8	7/8	FA-3F-MA	22.85
VS20005X103	2	2-5/8	1-1/32	FA-4F-MA	27.36
VS20006X100	2	2-3/4	1	FA-1U-2F-MA	29.41
VS20006X118	2	2-3/4	1-3/16	FA-2U-2F-MA	35.31
VS20006X137	2	2-3/4	1-3/8	FA-2U-3F-MA	41.46
VS20008X125	2	3	1-1/4	FA-3F-MA	47.42
VS20008X150	2	3	1-1/2	FA-4F-MA	53.84
VS21204X087F	2-1/8	2-5/8	7/8	FA-4F-MA	23.67
VS21205X103	2-1/8	2-3/4	1-1/32	FA-4F-MA	30.50
VS21206X118	2-1/8	2-7/8	1-3/16	FA-4F-MA	95.37
VS21206X137	2-1/8	2-7/8	1-3/8	FA-5F-MA	168.56
VS21806X3V	2-3/16	2-15/16	.561	3F	15.41
VS21806X156	2-3/16	2-15/16	1-9/16	FA-6F-MA	52.84
VS22004X100	2.2	2.7	1	FA-2U-3F-MA	31.93
VS22504X082	2-1/4	2-3/4	.82	FA-1U-3F-MA	20.30
VS22504X100	2-1/4	2-3/4	1	FA-2U-3F-MA	27.21
VS22505X103	2-1/4	2-7/8	1-1/32	FA-4F-MA	31.31
VS22505X118	2-1/4	2-7/8	1-3/16	FA-5F-MA	36.61
VS22506X100	2-1/4	3	1	FA-3F-MA	32.17
VS22506X111H	2-1/4	3	1.13	FA-4U-MA	58.14
VS22508X150	2-1/4	3-1/4	1-1/2	FA-4F-MA	70.36
VS23704X100	2-3/8	2-7/8	1	FA-5F-MA	29.41
VS23705X103	2-3/8	3	1-1/32	FA-4F-MA	32.43
VS23705X118	2-3/8	3	1-3/16	FA-5F-MA	37.93
VS23706X125	2-3/8	3-1/8	1-1/4	FA-4F-MA	38.64
VS25003X043	2-1/2	2-7/8	7/16	4F	18.61
VS25004X075	2-1/2	3	3/4	FA-1U-2F-MA	22.12
VS25004X082	2-1/2	3	.82	FA-4F-MA	22.90
VS25004X087	2-1/2	3	7/8	FA-1U-3F-MA	26.63
VS25004X100	2-1/2	3	1	FA-2U-3F-MA	28.38
VS25004X112	2-1/2	3	1-1/8	FA-2U-4F-MA	32.33
VS25005X087	2-1/2	3-1/8	7/8	FA-3F-MA	22.97
VS25005X118	2-1/2	3-1/8	1-3/16	FA-2U-3F-MA	41.65

Part Number	A Nom. ID	B Nom. OD	C Nom. Ht	CONSTRUCTION T-V-B	List Price
VS25005X118U	2-1/2	3-1/8	1-3/16	FA-1U-3F-MA	166.30
VS25006X100	2-1/2	3-1/4	1	FA-1U-2F-MA	36.42
VS25006X102	2-1/2	3-1/4	1.02	FA-1U-2F-MA	33.18
VS25006X137	2-1/2	3-1/4	1-3/8	FA-2U-3F-MA	48.66
VS25008X125	2-1/2	3-1/2	1-1/4	FA-3F-MA	53.94
VS26204X087	2-5/8	3-1/8	7/8	FA-2U-2F-MA	43.23
VS26204X137	2-5/8	3-1/8	1-3/8	FA-7F-MA	54.97
VS26205X075	2-5/8	3-1/4	3/4	FA-2U-2T	36.25
VS26205X100	2-5/8	3-1/4	1.11	FA-4F-MA	70.08
VS26206X118	2-5/8	3-3/8	1-3/16	FA-4F-MA	67.65
VS27006X106	2.7	3.45	1-1/16	FA-1U-2F-MA	41.59
VS27504X075	2-3/4	3-1/4	3/4	FA-2N-1R-MA	19.61
VS27504X087	2-3/4	3-1/4	7/8	FA-4F-MA	26.53
VS27504X100	2-3/4	3-1/4	1	FA-1U-4F-MA	27.58
VS27505X103	2-3/4	3-3/8	1-1/32	FA-2U-2F-MA	37.31
VS27506X100	2-3/4	3-1/2	1	FA-3F-MA	40.77
VS27706X112	2-3/4	3-1/2	1-1/8	FA-3R-2T	143.37
VS27506X111H	2-3/4	3-1/2	1.15	FA-4U-MA	63.31
VS27506X118	2-3/4	3-1/2	1-3/16	FA-2U-2F-MA	48.83
VS27506X150	2-3/4	3-1/2	1-1/2	FA-3U-3F-MA	76.28
VS27508X200	2-3/4	3-3/4	2	FA-6F-MA	104.85
VS27706X100	2.775	3.525	1	FA-3F-MA	47.36
VS27706X125	2.775	3.525	1-1/4	FA-1U-3F-MA	52.46
VS28704X100	2-7/8	3-3/8	1	FA-4F-MA	34.55
VS29504X100	2.95	3.45	1	FA-2U-3F-MA	36.38
VS29504.4X100W	2.95	3-1/2	1	FA-2U-2F-MA	56.72
VS29704.4X112W	2.97	3.52	1-1/8	2U-3F-MA	42.03
VS30004X062	3	3-1/2	5/8	FA-2F-MA	19.27
VS30004X087	3	3-1/2	7/8	FA-4F-MA	24.61
VS30004X087U	3	3-1/2	7/8	FA-1U-3F-MA	40.25
VS30004X087W	3	3-1/2	7/8	4F	31.19
VS30004X100	3	3-1/2	1	FA-2U-3F-MA	27.68
VS30004X112	3	3-1/2	1-1/8	FA-2U-4F-MA	33.53
VS30005X089	3	3-5/8	.894	FA-1U-2F-MA	37.07
VS30005X103	3	3-5/8	1-1/32	FA-4F-MA	39.07
VS30006X100	3	3-3/4	1	FA-1U-2F-MA	48.06
VS30006X118	3	3-3/4	1-3/16	FA-2U-2F-MA	57.64
VS30006X137	3	3-3/4	1-3/8	FA-2U-3F-MA	60.47
VS30006X137U	3	3-3/4	1-3/8	FA-1U-3F-MA	171.32
VS30008X150	3	4	1-1/2	FA-2U-2F-MA	72.63
VS31203X087W	3-1/8	3-1/2	7/8	2U-3F	41.04
VS31206X100	3-1/8	3-7/8	1	FA-2R-2T	59.24
VS32503X043	3-1/4	3-5/8	7/16	4F	15.83
VS32504X082	3-1/4	3-3/4	.82	FA-4F-MA	26.92
VS32504X100	3-1/4	3-3/4	1	FA-5F-MA	33.30
VS32504X125	3-1/4	3-3/4	1-1/4	FA-2U-3F-MA	33.30
VS32504X125W	3-1/4	3-3/4	1-1/4	FA-2U-3F-MA	96.12
VS32505X100	3-1/4	3-7/8	1	FA-4F-MA	73.36
VS32506X118	3-1/4	4	1-3/16	FA-4F-MA	57.35
VS32506X137	3-1/4	4	1-3/8	FA-5F-MA	66.94
VS32506X156	3-1/4	4	1-9/16	FA-6F-MA	85.90
VS32508X150	3-1/4	4-1/4	1-1/2	FA-2U-2F-MA	86.44
VS32706X118	3.275	4.025	1.187	FA-4F-MA	64.90
VS33704X100	3-3/8	3-7/8	1	FA-5F-MA	36.98
VS33704X112	3-3/8	3-7/8	1-1/8	FA-6F-MA	40.19
VS33705X087	3-3/8	4	7/8	FA-3F-MA	33.96
VS33705X103	3-3/8	4	1-1/32	FA-4F-MA	40.99
VS33706X100	3-3/8	4-1/8	1	FA-3F-MA	50.69

VEE PACKING SETS

VEE PACKING SETS

Part Number	A Nom. ID	B Nom. OD	C Nom. Ht	CONSTRUCTION T-V-B	List Price
VS33706X118	3-3/8	4-1/8	1-3/16	FA-4F-MA	64.99
VS34506.4X150	3.45	4-1/4	1-1/2	FA-2U-3F-MA	75.19
VS35004X075	3-1/2	4	3/4	FA-1U-2F-MA	25.43
VS35004X082	3-1/2	4	.82	FA-4F-MA	30.83
VS35004X100	3-1/2	4	1	FA-2U-3F-MA	34.11
VS35004X150	3-1/2	4	1-1/2	FA-3U-6F-MA	52.71
VS35006X100	3-1/2	4-1/4	1	FA-3F-MA	45.21
VS35006X118	3-1/2	4-1/4	1-3/16	FA-2U-2F-MA	60.52
VS35006X150	3-1/2	4-1/4	1-1/2	FA-6F-MA	84.85
VS35008X125	3-1/2	4-1/2	1-1/4	FA-3F-MA	67.47
VS35012X150	3-1/2	5	1-1/2	FA-3F-MA	98.95
VS35012X225	3-1/2	5	2-1/4	FA-4F-MA	170.56
VS35804.2X100W	3.58	4.11	1	FA-2U-3F-MA	61.94
VS37504X082	3-3/4	4-1/4	.82	FA-4F-MA	33.89
VS37504X100	3-3/4	4-1/4	1	FA-2U-3F-MA	37.08
VS37505X087	3-3/4	4-3/8	7/8	FA-3F-MA	45.80
VS37505X106	3-3/4	4-3/8	1-1/16	FA-2U-2F-MA	54.97
VS37505X118W	3-3/4	4-3/8	1-3/16	FA-2U-2F-MA	64.84
VS37506X106	3-3/4	4-1/2	1-1/16	FA-2R-2T	98.52
VS37506X118	3-3/4	4-1/2	1-3/16	FA-2U-2F-MA	65.60
VS37506X137	3-3/4	4-1/2	1-3/8	FA-2U-3F-MA	75.94
VS38704X075	3-7/8	4-3/8	3/4	4F-MA	32.02
VS39504.4X125W	3.95	4-1/2	1	FA-2U-2F-MA	50.59
VS39704.4X100W	3.97	4.52	1	2U-3F-MA	50.68
VS40004X087W	4	4-1/2	7/8	2U-2F	44.61
VS40004X100	4	4-1/2	1	FA-2U-3F-MA	40.81
VS40004X112	4	4-1/2	1-1/8	FA-2U-4F-MA	46.05
VS40006X118	4	4-3/4	1-3/16	FA-2U-2F-MA	73.31
VS40007X112	4	4-7/8	1-1/8	FA-3F-MA	81.70
VS40007X131	4	4-7/8	1-5/16	FA-4F-MA	117.02
VS40007X175	4	4-7/8	1-3/4	FA-6F-MA	130.77
VS40008X131	4	5	1-5/16	FA-1U-2F-MA	75.90
VS40008X137	4	5	1-3/8	2U-3F	83.01
VS40008X156	4	5	1-9/16	FA-4F-MA	96.36
VS40606X100	4-1/16	4-13/16	1	FA-1U-2F-MA	72.51
VS42504X100	4-1/4	4-3/4	1	FA-5F-MA	56.90
VS42504X125	4-1/4	4-3/4	1-1/4	FA-3U-4F-MA	56.90
VS42504X125W	4-1/4	4-3/4	1-1/4	FA-2U-3F-MA	110.45
VS42506X100	4-1/4	5	1	FA-3F-MA	61.42
VS42506X150	4-1/4	5	1-1/2	FA-6F-MA	106.77
VS42506X162	4-1/4	5	1-5/8	FA-6F-MA	112.26
VS42507X150	4-1/4	5-1/8	1-1/2	FA-5F-MA	109.37
VS42508X162	4-1/4	5-1/4	1-5/8	FA-4F-MA	220.73
VS43704X100	4-3/8	4-7/8	1	FA-5F-MA	153.45
VS44704.4X093	4.475	5.025	15/16	3U-2F	51.09
VS45004X087	4-1/2	5	7/8	FA-4F-MA	38.10
VS45004X087A	4-1/2	5	7/8	FA-2U-2F-MA	32.14
VS45004X100	4-1/2	5	1	FA-5F-MA	44.12
VS45005X137	4-1/2	5-1/8	1-3/8	FA-6F-MA	198.15
VS45006X100	4-1/2	5-1/4	1	FA-1U-2F-MA	61.82
VS45006X150	4-1/2	5-1/4	1-1/2	FA-6F-MA	101.97
VS45007X118	4-1/2	5-3/8	1-3/16	FA-2R-2T	137.39
VS45007X137	4-1/2	5-3/8	1-3/8	FA-4F-MA	142.23
VS45008X125	4-1/2	5-1/2	1-1/4	FA-3F-MA	82.31
VS46205X112	4-5/8	5-1/4	1	FA-4F-MA	108.22
VS47504X087	4-3/4	5-1/4	7/8	FA-4F-MA	39.99
VS47504X100	4-3/4	5-1/4	1	FA-5F-MA	46.31
VS47505X125W	4-3/4	5-3/8	1-1/4	FA-2U-2F-MA	54.73

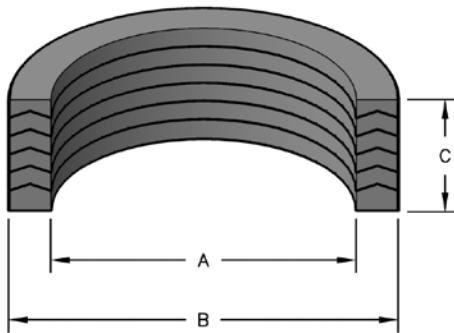
Part Number	A Nom. ID	B Nom. OD	C Nom. Ht	CONSTRUCTION T-V-B	List Price
VS47506X087	4-3/4	5-1/2	7/8	2N-1U-MA	42.21
VS47506X118	4-3/4	5-1/2	1-3/16	FA-2U-2F-MA	88.82
VS47506X137	4-3/4	5-1/2	1-3/8	FA-5F-MA	103.65
VS47506XXX	4-3/4	5-1/2	1-3/4	7F	67.98
VS47507X150	4-3/4	5-5/8	1-1/2	FA-5F-MA	147.94
VS49504.4X125W	4.95	5-1/2	1	FA-2U-2F-MA	55.40
VS49704.4X112W	4.97	5.52	1-1/8	2U-3F-MA	57.16
VS50004X087	5	5-1/2	7/8	FA-2U-2F-MA	46.18
VS50004X100	5	5-1/2	1	FA-2U-3F-MA	46.93
VS50004X112W	5	5-1/2	1	FA-2U-3F-MA	39.31
VS50004X112	5	5-1/2	1-1/8	FA-2U-4F-MA	55.84
VS50005X103	5	5-5/8	1-1/32	FA-4F-MA	63.79
VS50006X150	5	5-3/4	1-1/2	FA-6F-MA	124.91
VS50007X131	5	5-7/8	1-5/16	FA-4F-MA	112.93
VS50008X125	5	6	1-1/4	FA-1U-2F-MA	97.97
VS50008X175	5	6	1-3/4	FA-2U-3F-MA	156.21
VS51204X100	5-1/8	5-5/8	1	FA-5F-MA	54.32
VS51204X112	5-1/8	5-5/8	1-1/8	FA-6F-MA	58.83
VS52504X125	5-1/4	5-3/4	1-1/4	FA-2U-3F-MA	49.99
VS52506X087	5-1/4	6	7/8	2N-1R-MA	50.76
VS52506X118	5-1/4	6	1-3/16	FA-4F-MA	93.96
VS52508X122	5-1/4	6-1/4	1.22	FA-3F-MA	94.57
VS53707X150	5-3/8	6-1/4	1-1/2	FA-5F-MA	165.45
VS54404X112W	5.445	5.945	1-1/8	FA-2U-3F-MA	74.87
VS54704.4X093	5.475	6.025	15/16	3U-2F	56.48
VS55004X075	5-1/2	6	3/4	FA-3F-MA	30.46
VS55004X100	5-1/2	6	1	FA-5F-MA	52.57
VS55006X175	5-1/2	6-1/4	1-3/4	FA-7F-MA	153.68
VS55008X125	5-1/2	6-1/2	1-1/4	FA-3F-MA	127.49
VS55008X175	5-1/2	6-1/2	1-3/4	FA-5F-MA	148.51
VS57006X106	5.7	6.45	1-1/16	FA-1U-2F-MA	82.06
VS57504X100	5-3/4	6-1/4	1	FA-5F-MA	57.95
VS57504X112	5-3/4	6-1/4	1-1/8	FA-6F-MA	62.43
VS57505X087	5-3/4	6-3/8	7/8	FA-2R-2T	135.51
VS57505X125W	5-3/4	6-3/8	1-1/4	FA-2U-2F-MA	69.75
VS57506X100	5-3/4	6-1/2	1	FA-3F-MA	90.14
VS57506X137	5-3/4	6-1/2	1-3/8	FA-5F-MA	124.56
VS57508X175	5-3/4	6-3/4	1-3/4	FA-5F-MA	187.23
VS59504.4X125W	5.95	65	1	FA-2U-2F-MA	70.03
VS59704.4X112W	5.97	6.52	1-1/8	2U-3F-MA	70.03
VS60004X087W	6	6-1/2	7/8	2U-2F	85.63
VS60004X100	6	6-1/2	1	FA-2U-3F-MA	56.03
VS60004X112W	6	6-1/2	1	FA-2U-3F-MA	47.91
VS60004X112	6	6-1/2	1-1/8	FA-2U-4F-MA	65.81
VS60006X100	6	6-3/4	1	FA-1U-2F-MA	126.29
VS60008X150	6	7	1-1/2	FA-4F-MA	148.75
VS60010X175	6	7-1/4	1-3/4	FA-4F-MA	367.62
VS62505X125	6-1/4	6-7/8	1-1/4	FA-2U-3F-MA	90.52
VS62505X125W	6-1/4	6-7/8	1-1/4	FA-2U-3F-MA	124.98
VS62506X118	6-1/4	7	1-3/16	FA-4F-MA	132.87
VS64404X112W	6.445	6.945	1-1/8	FA-2U-3F-MA	100.71
VS64704.4X093	6.475	7.025	15/16	3U-2F	171.82
VS65004X100	6-1/2	7	1	FA-1U-4F-MA	63.95
VS65006X137	6-1/2	7-1/4	1-3/8	FA-5F-MA	139.01
VS65008X150	6-1/2	7-1/2	1-1/2	FA-4F-MA	173.19
VS67504X100	6-3/4	7-1/4	1	FA-5F-MA	204.87
VS67505X125	6-3/4	7-3/8	1-1/4	FA-2U-3F-MA	120.45
VS67505X125W	6-3/4	7-3/8	1-1/4	FA-2U-2F-MA	101.32

VEE PACKING SETS

Part Number	A Nom. ID	B Nom. OD	C Nom. Ht	CONSTRUCTION T-V-B	List Price
VS67506X118	6-3/4	7-1/2	1-3/16	FA-4F-MA	143.26
VS69504.4X125W	6.95	7-1/2	1	FA-2U-2F-MA	85.28
VS69704.4X112W	6.97	7.52	1-1/8	2U-3F-MA	87.54
VS70004X100	7	7-1/2	1	FA-2U-3F-MA	69.63
VS70004X112	7	7-1/2	1-1/8	FA-2U-4F-MA	79.55
VS70004X112W	7	7-1/2	1-1/8	FA-2U-3F-MA	55.95
VS70008X125	7	8	1-1/4	FA-1U-2F-MA	177.63
VS70008X200	7	8	2	FA-3U-3F-MA	259.64
VS72504X087	7-1/4	7-3/4	7/8	FA-4F-MA	216.93
VS74404X112W	7.445	7.945	1-1/8	FA-2U-3F-MA	113.35
VS75004X100	7-1/2	8	1	FA-2U-3F-MA	93.40
VS75005X125	7-1/2	8-1/8	1-1/4	FA-2U-3F-MA	131.34
VS75005X125W	7-1/2	8-1/8	1-1/4	FA-2U-3F-MA	120.47
VS75006X109	7-1/2	8-1/4	1-3/32	2U-3F-MA	193.96
VS79005.1X125W	7.905	8.543	1-1/4	FA-2U-2F-MA	107.75
VS79504.4X125W	7.95	8-1/2	1	FA-2U-2F-MA	102.53
VS79704.4X112W	7.97	8.52	1-1/8	2U-3F-MA	98.08
VS80004X075	8	8-1/2	3/4	FA-1U-2F-MA	94.46
VS80004X100	8	8-1/2	1	FA-2U-3F-MA	85.27
VS80004X112W	8	8-1/2	1-1/8	FA-2U-3F-MA	63.00
VS80006X118	8	8-3/4	1-3/16	FA-4F-MA	391.14
VS80008X200	8	9	2	FA-6F-MA	318.52
VS81204X112	8-1/8	8-5/8	1-1/8	FA-1U-5F-MA	103.64
VS82504X112	8-1/4	8-3/4	1-1/8	FA-6F-MA	157.28
VS82506X118W	8-1/4	9	1-3/16	FA-2U-3F-MA	163.79
VS85004X100	8-1/2	9	1	FA-2U-3F-MA	230.72
VS85008X187	8-1/2	9-1/2	1-7/8	FA-5F-MA	456.36
VS87505X125	8-3/4	9-3/8	1-1/4	FA-6F-MA	271.79
VS87505X125W	8-3/4	9-3/8	1-1/4	FA-2U-3F-MA	169.62
VS89504.4X125W	8.95	9-1/2	1	FA-1U-3F-MA	137.29
VS90004X125	9	9-1/2	1-1/4	FA-6F-MA	282.35
VS90006X118W	9	9-3/4	1-3/16	FA-2U-3F-MA	163.69
VS90008X187	9	10	1-7/8	FA-5F-MA	270.33
VS91204.5X112W	9-1/8	9-11/16	1-1/8	2U-3F-MA	121.41
VS91205X125W	9-1/8	9-3/4	1-1/4	FA-2U-3F-MA	208.14
VS93705X121W	9-3/8	10	1-7/32	FA-2U-2F-MA	222.45
VS95004X100	9-1/2	10	1	FA-5F-MA	330.54
VS95006X118	9-1/2	10-1/4	1-3/16	FA-4F-MA	635.86
VS97506X100W	9-3/4	10-1/2	1	FA-1U-3F-MA	311.45
VS100008X187	10	11	1-7/8	FA-5F-MA	856.23
VS105004X100	10-1/2	11	1	FA-5F-MA	366.83
VS105008X187	10-1/2	11-1/2	1-7/8	FA-5F-MA	589.42
VS110008X187	11	12	1-7/8	FA-5F-MA	589.42
VS112506X125	11-1/4	12	1-1/4	FA-2N-2U-MA	321.55
VS120008X187	12	13	1-7/8	FA-5F-MA	747.55
VS140008X187	14	15	1-7/8	FA-5F-MA	1072.83

FLUOROCARBON VEE PACKING SETS

Not different in application from standard vee sets, these sets are made entirely of cotton duck and fluorocarbon. Excellent heat resistance.



HERCULES PART NUMBERS

VS 100 04 X 100V
 Type of Seal Inside Diameter Cross Section Height

3,000 PSI = 4 VEEES
 5,000 PSI = 5 VEEES



VEE SETS

SEAL INFORMATION

MATERIAL	FLUOROCARBON / DUCK
TEMPERATURE RANGE	-20° TO +350° F
PRESSURE RANGE	0 TO 5,000 PSI
SPEED	1.5 FT/SEC

VEE PACKING SETS

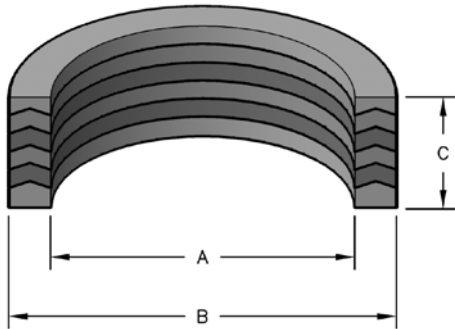
Part Number	A Nom. ID	B Nom. OD	C Nom. Ht	List Price
VS10004X100V	1	1-1/2	1	\$162.29
VS15005X100V	1-1/2	2-1/8	1	212.85
VS17505X100V	1-3/4	2-3/8	1	175.41
VS17506X100V	1-3/4	2-1/2	1	215.91
VS18705X100V	1-7/8	2-1/2	1	177.72
VS20004X100V	2	2-1/2	1	196.34
VS20005X100V	2	2-5/8	1	181.31
VS20006X100V	2	2-3/4	1	179.17
VS21206X100V	2-1/8	2-7/8	1	239.62
VS22504X100V	2-1/4	2-3/4	1	240.17
VS25004X100V	2-1/2	3	1	208.32
VS25005X100V	2-1/2	3-1/8	1	248.44
VS25006X100V	2-1/2	3-1/4	1	260.90
VS27506X100V	2-3/4	3-1/2	1	266.91
VS30004X100V	3	3-1/2	1	305.58
VS30005X100V	3	3-5/8	1	281.64
VS30006X100V	3	3-3/4	1	283.59
VS32506X100V	3-1/4	4	1	321.79
VS35004X100V	3-1/2	4	1	277.72
VS35006X100V	3-1/2	4-1/4	1	345.57
VS35008X112V	3-1/2	4-1/2	1-1/8	343.98
VS37506X100V	3-3/4	4-1/2	1	357.77
VS40006X100V	4	4-3/4	1	180.87
VS40008X094V	4	5	.94	396.56
VS42507X106V	4-1/4	5-1/8	1-1/16	496.36
VS45008X112V	4-1/2	5-1/2	1-1/8	424.75
VS50004X100V	5	5-1/2	1	442.94
VS50006X100V	5	5-3/4	1	450.14
VS50007X109V	5	5-7/8	1.09	548.53
VS57506X100V	5-3/4	6-1/2	1	531.12

Seal color may vary. Special order sizes are available. Sizes not shown and out of stock items can also be ordered for next day delivery through Seals On Demand, our custom seal program. Please call your regional sales team for assistance.

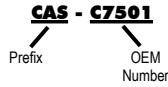
CASCADE VEE SETS



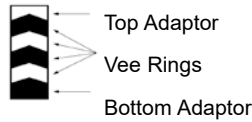
Employed mainly in cylinders made by Cascade Corp., these vee sets are often over-sized or are different from standard vee sets. They are often used with Follower bearings



HERCULES PART NUMBERS



3,000 PSI = 4 VEES
 5,000 PSI = 5 VEES
 10,000 PSI = 6 VEES



SEAL INFORMATION

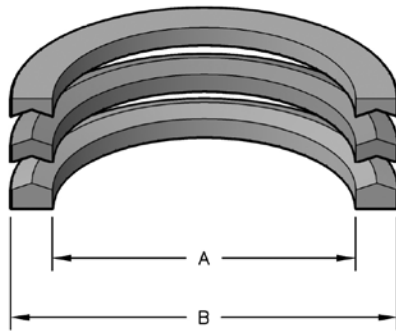
MATERIAL	FABRIC REINFORCED RUBBER & URETHANE RINGS/NYLON ADAPTORS
TEMPERATURE RANGE	-35° TO +220° F
PRESSURE RANGE	0 TO 10,000
SPEED	1.5 FT/SEC

VEE PACKING SETS

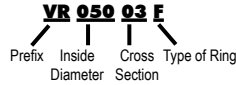
Part Number	A Nom. ID	B Nom. OD	C Nom. Ht	List Price
CAS-C7501	7/8	1-3/8	3/4	\$35.12
CAS-7500	1	1-1/2	.781	35.05
CAS-C1809	1-1/4	1-3/4	.671	30.51
CAS-C7502	1-1/2	2	.781	33.89
CAS-C7606	1-3/4	2.265	.635	29.18
CAS-7505	1-3/4	2.265	.781	40.89
CAS-C7609	2	2.515	5/8	32.77
CAS-C1861	2	2.76	1.218 ⁺⁰⁰⁰ _{-.062}	64.65
CAS-1468	2-1/4	3.02	1.03	57.16
CAS-7542A	2.45	3.02	.671	36.51
CAS-7633	2-1/2	3	1.094	57.16
CAS-7547	2-3/4	3.27	.85	49.26
CAS-C7608	3	3.52	.671	36.31
CAS-7565	3	3.52	.89	51.33
CAS-7576	3.2	3.77	.828	57.16
CAS-1470	3-1/4	4.02	1	70.23
CAS-C7538	3-1/2	4.02	5/8	82.69
CAS-C7636	3-1/2	4.27	1.03	67.87
CAS-C7561	3-1/2	4.27	1.4	119.63
CAS-1471A	3-3/4	4.52	1	76.06
CAS-C827	3-3/4	4.52	1.218	86.72
CAS-C7554	4	4.77	.813	109.95
CAS-7525	4-1/4	5.03	1.2	123.43
CAS-7562	4-1/4	5.03	1.344	129.68

INDIVIDUAL VEE RINGS & ADAPTORS

The individual vee rings and adaptors listed here are the same high quality product found in our assembled vee packing sets. Stocking individual vee rings allows you to assemble sets to your specific requirements.



HERCULES PART NUMBERS



RING TYPES

T = TOP ADAPTOR - NYLON/NEO-FAB
 B = BOTTOM ADAPTOR - NYLON/NEO-FAB
 F = NEO-FAB VEE RING
 U = URETHANE VEE RING
 R = RUBBER VEE RING.
 (FOR MORE RUBBER VEE RINGS
 SEE OUR STYLE 835 RINGS)

SEAL INFORMATION

MATERIAL	NYLON, NEO-FAB, URETHANE
TEMPERATURE RANGE	-35° TO +220° F
PRESSURE RANGE	0 TO 5,000 PSI
SPEED	1.5 FT/SEC

VEE RING STACK HEIGHTS WITH TOP & BOTTOM ADAPTORS

# OF VEES	VEE RING CROSS SECTIONS								
	3/16	1/4	5/16	3/8	7/16	1/2	9/16	5/8	3/4
1	.410	.500	.562	.625	.645	.750	.812	.875	1.00
2	.520	.625	.719	.812	.863	1.000	1.093	1.187	1.375
3	.630	.750	.875	1.000	1.081	1.250	1.375	1.500	1.750
4	.740	.875	1.031	1.187	1.300	1.500	1.656	1.812	2.125
5	.850	1.000	1.187	1.375	1.517	1.750	1.937	2.125	2.500

Part Number	A Nom. ID	B Nom. OD	List Price
VR05003F	1/2	7/8	\$2.92
VR05003T	1/2	7/8	2.92
VR06204B	5/8	1-1/8	2.79
VR06204F	5/8	1-1/8	2.79
VR06204R	5/8	1-1/8	6.10
VR06204T	5/8	1-1/8	2.79
VR06204U	5/8	1-1/8	1.95
VR07504B	3/4	1-1/4	2.79
VR07504F	3/4	1-1/4	2.79
VR07504T	3/4	1-1/4	2.79
VR07505F	3/4	1-3/8	7.28
VR08703B	7/8	1-1/4	3.07
VR08703F	7/8	1-1/4	3.07
VR08703T	7/8	1-1/4	3.07
VR08704F	7/8	1-3/8	4.67
VR08705F	7/8	1-1/2	5.37
VR10004B	1	1-1/2	2.79
VR10004F	1	1-1/2	2.79
VR10004T	1	1-1/2	2.79
VR10005B	1	1-5/8	6.81
VR10005F	1	1-5/8	6.81
VR10005T	1	1-5/8	12.73
VR10006F	1	1-3/4	12.19
VR11204B	1-1/8	1-5/8	2.83

Part Number	A Nom. ID	B Nom. OD	List Price
VR11204F	1-1/8	1-5/8	2.83
VR11204T	1-1/8	1-5/8	2.83
VR12504B	1-1/4	1-3/4	2.83
VR12504F	1-1/4	1-3/4	2.83
VR12504T	1-1/4	1-3/4	2.83
VR12504U	1-1/4	1-3/4	2.83
VR12505F	1-1/4	1-7/8	4.47
VR12505T	1-1/4	1-7/8	4.91
VR12506B	1-1/4	2	4.71
VR12506F	1-1/4	2	4.71
VR12506T	1-1/4	2	4.71
VR12506U	1-1/4	2	4.71
VR13704B	1-3/8	1-7/8	3.98
VR13704B-25	1-3/8	1-7/8	3.79
VR13704F	1-3/8	1-7/8	3.98
VR13704R	1-3/8	1-7/8	8.68
VR13704T	1-3/8	1-7/8	3.98
VR13704U	1-3/8	1-7/8	3.98
VR13705B	1-3/8	2	4.25
VR13705F	1-3/8	2	4.25
VR13705T	1-3/8	2	4.25
VR13706B	1-3/8	2-1/8	9.49
VR13706F	1-3/8	2-1/8	9.49
VR13706T	1-3/8	2-1/8	9.20

INDIVIDUAL VEE RINGS & ADAPTORS



INDIVIDUAL VEE RINGS & ADAPTORS

Part Number	A Nom. ID	B Nom. OD	List Price
VR15004B	1-1/2	2	3.01
VR15004F	1-1/2	2	3.01
VR15004R	1-1/2	2	5.91
VR15004T	1-1/2	2	3.01
VR15004U	1-1/2	2	3.01
VR15005B	1-1/2	2-1/8	3.83
VR15005F	1-1/2	2-1/8	3.83
VR15005T	1-1/2	2-1/8	3.83
VR15006B	1-1/2	2-1/4	5.09
VR15006F	1-1/2	2-1/4	5.09
VR15006R	1-1/2	2-1/4	23.61
VR15006T	1-1/2	2-1/4	5.09
VR15008B	1-1/2	2-1/2	7.37
VR15008F	1-1/2	2-1/2	7.37
VR15008T	1-1/2	2-1/2	7.37
VR15008U	1-1/2	2-1/2	7.37
VR16204B	1-5/8	2-1/8	3.35
VR16204F	1-5/8	2-1/8	3.35
VR16204T	1-5/8	2-1/8	3.35
VR16204U	1-5/8	2-1/8	3.35
VR16205B	1-5/8	2-1/4	4.32
VR16205F	1-5/8	2-1/4	4.32
VR16205T	1-5/8	2-1/4	4.32
VR17504B	1-3/4	2-1/4	3.39
VR17504B-20	1-3/4	2-1/4	6.28
VR17504F	1-3/4	2-1/4	3.39
VR17504T	1-3/4	2-1/4	3.39
VR17504U	1-3/4	2-1/4	3.39
VR17505B	1-3/4	2-3/8	4.36
VR17505F	1-3/4	2-3/8	4.36
VR17505T	1-3/4	2-3/8	4.36
VR17505U	1-3/4	2-3/8	4.36
VR17506B	1-3/4	2-1/2	4.36
VR17506F	1-3/4	2-1/2	4.36
VR17506T	1-3/4	2-1/2	4.36
VR17508B	1-3/4	2-3/4	9.85
VR17508F	1-3/4	2-3/4	9.85
VR17508T	1-3/4	2-3/4	9.85
VR18704B	1-7/8	2-3/8	3.38
VR18704F	1-7/8	2-3/8	3.38
VR18704R	1-7/8	2-3/8	18.07
VR18704T	1-7/8	2-3/8	3.38
VR18705B	1-7/8	2-1/2	4.80
VR18705F	1-7/8	2-1/2	4.80
VR18705T	1-7/8	2-1/2	4.80
VR20004B	2	2-1/2	3.28
VR20004F	2	2-1/2	3.28
VR20004R	2	2-1/2	7.72
VR20004T	2	2-1/2	3.28
VR20004U	2	2-1/2	3.28
VR20005B	2	2-5/8	4.48
VR20005F	2	2-5/8	4.48
VR20005T	2	2-5/8	4.48
VR20006B	2	2-3/4	5.83
VR20006F	2	2-3/4	5.83
VR20006T	2	2-3/4	10.44
VR20006U	2	2-3/4	5.83
VR22504B	2-1/4	2-3/4	3.86

Part Number	A Nom. ID	B Nom. OD	List Price
VR22504F	2-1/4	2-3/4	3.86
VR22504T	2-1/4	2-3/4	3.86
VR22504U	2-1/4	2-3/4	3.86
VR22505B	2-1/4	2-7/8	8.79
VR22506B	2-1/4	3	6.40
VR22506F	2-1/4	3	6.40
VR22506R	2-1/4	3	31.88
VR22506T	2-1/4	3	6.40
VR25003B	2-1/2	2-7/8	9.02
VR25003F	2-1/2	2-7/8	9.02
VR25003T	2-1/2	2-7/8	9.02
VR25004B	2-1/2	3	4.06
VR25004F	2-1/2	3	4.06
VR25004R	2-1/2	3	22.93
VR25004T	2-1/2	3	4.06
VR25004U	2-1/2	3	4.06
VR25005B	2-1/2	3-1/8	5.88
VR25005F	2-1/2	3-1/8	5.88
VR25005T	2-1/2	3-1/8	5.88
VR25005U	2-1/2	3-1/8	5.88
VR25006B	2-1/2	3-1/4	7.28
VR25006F	2-1/2	3-1/4	7.28
VR25006T	2-1/2	3-1/4	7.28
VR25006U	2-1/2	3-1/4	7.28
VR25008B	2-1/2	3-1/2	10.89
VR25008F	2-1/2	3-1/2	10.89
VR25008T	2-1/2	3-1/2	10.89
VR26204F	2-5/8	3-1/8	13.97
VR26205U	2-5/8	3-1/4	5.57
VR27504B	2-3/4	3-1/4	5.78
VR27504F	2-3/4	3-1/4	3.98
VR27504T	2-3/4	3-1/4	5.78
VR27504U	2-3/4	3-1/4	3.98
VR27505B	2-3/4	3-3/8	6.11
VR27505F	2-3/4	3-3/8	6.11
VR27505T	2-3/4	3-3/8	6.11
VR27506B	2-3/4	3-1/2	8.07
VR27506F	2-3/4	3-1/2	8.07
VR27506T	2-3/4	3-1/2	8.07
VR27506U	2-3/4	3-1/2	8.07
VR27508F	2-3/4	3-3/4	17.71
VR30004B	3	3-1/2	4.14
VR30004B-25	3	3-1/2	3.94
VR30004F	3	3-1/2	4.14
VR30004R	3	3-1/2	9.55
VR30004T	3	3-1/2	4.14
VR30004U	3	3-1/2	4.14
VR30006B	3	3-3/4	9.53
VR30006F	3	3-3/4	9.53
VR30006T	3	3-3/4	9.53
VR30006U	3	3-3/4	9.53
VR32503B	3-1/4	3-5/8	4.55
VR32503F	3-1/4	3-5/8	4.55
VR32503T	3-1/4	3-5/8	4.55
VR32504B	3-1/4	3-3/4	4.74
VR32504F	3-1/4	3-3/4	4.74
VR32504T	3-1/4	3-3/4	4.74
VR32506B	3-1/4	4	9.49

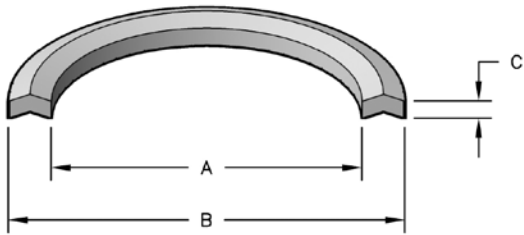
INDIVIDUAL VEE RINGS & ADAPTORS

INDIVIDUAL VEE RINGS & ADAPTORS

Part Number	A Nom. ID	B Nom. OD	List Price
VR32506F	3-1/4	4	9.49
VR32506T	3-1/4	4	9.49
VR35004B	3-1/2	4	4.92
VR35004F	3-1/2	4	4.92
VR35004T	3-1/2	4	4.92
VR35004U	3-1/2	4	4.92
VR35005B	3-1/2	4-1/8	21.22
VR35005F	3-1/2	4-1/8	9.86
VR35005T	3-1/2	4-1/8	28.38
VR35006B	3-1/2	4-1/4	8.97
VR35006F	3-1/2	4-1/4	8.97
VR35006T	3-1/2	4-1/4	8.97
VR35006U	3-1/2	4-1/4	11.69
VR35008B	3-1/2	4-1/2	15.74
VR35008F	3-1/2	4-1/2	15.25
VR35008T	3-1/2	4-1/2	15.25
VR37504B	3-3/4	4-1/4	5.38
VR37504F	3-3/4	4-1/4	5.38
VR37504T	3-3/4	4-1/4	5.38
VR37505B	3-3/4	4-3/8	13.52
VR37505F	3-3/4	4-3/8	13.52
VR37505T	3-3/4	4-3/8	13.52
VR37506B	3-3/4	4-1/2	10.85
VR37506F	3-3/4	4-1/2	10.85
VR37506T	3-3/4	4-1/2	10.85
VR37506U	3-3/4	4-1/2	10.85
VR38707T	3-7/8	4-3/4	18.72
VR40004B	4	4-1/2	6.78
VR40004B-25	4	4-1/2	5.61
VR40004F	4	4-1/2	6.78
VR40004T	4	4-1/2	6.78
VR40004U	4	4-1/2	6.78
VR40004R	4	4-1/2	38.70
VR40006B	4	4-3/4	12.08
VR40006F	4	4-3/4	12.08
VR40006T	4	4-3/4	12.08
VR40006U	4	4-3/4	12.08
VR40007F	4	4-7/8	49.03
VR40007T	4	4-7/8	16.95
VR40008B	4	5	16.71
VR40008F	4	5	16.71
VR40008T	4	5	16.71
VR40008U	4	5	16.71
VR42504B	4-1/4	4-3/4	8.01
VR42504F	4-1/4	4-3/4	8.01
VR42506B	4-1/4	5	12.18
VR42506F	4-1/4	5	12.18
VR42506T	4-1/4	5	12.18
VR42506U	4-1/4	5	12.18
VR42508B	4-1/4	5-1/4	80.48
VR42508F	4-1/4	5-1/4	31.85
VR42508T	4-1/4	5-1/4	94.81
VR45004B	4-1/2	5	6.23
VR45004F	4-1/2	5	6.23
VR45004T	4-1/2	5	6.23
VR45006F	4-1/2	5-1/4	16.68
VR47506B	4-3/4	5-1/2	54.31
VR47506F	4-3/4	5-1/2	21.92

Part Number	A Nom. ID	B Nom. OD	List Price
VR47506T	4-3/4	5-1/2	54.31
VR50004B	5	5-1/2	6.56
VR50004F	5	5-1/2	6.58
VR50004R	5	5-1/2	28.14
VR50004T	5	5-1/2	6.56
VR50004U	5	5-1/2	6.58
VR50008B	5	6	21.93
VR50008F	5	6	21.53
VR50008T	5	6	21.53
VR52504B	5-1/4	5-3/4	7.10
VR52504F	5-1/4	5-3/4	7.10
VR52506B	5-1/4	6	16.07
VR52506F	5-1/4	6	16.07
VR52506T	5-1/4	6	16.07
VR52508F	5-1/4	6-1/4	21.93
VR55004B	5-1/2	6	7.44
VR55004F	5-1/2	6	7.44
VR55004T	5-1/2	6	7.44
VR55004U	5-1/2	6	7.75
VR55006F	5-1/2	6-1/4	21.26
VR55008B	5-1/2	6-1/2	27.02
VR55008F	5-1/2	6-1/2	27.02
VR55008R	5-1/2	6-1/2	31.61
VR55008T	5-1/2	6-1/2	27.02
VR57505T	5-3/4	6-3/8	13.21
VR57506F	5-3/4	6-1/2	18.69
VR57508F	5-3/4	6-3/4	38.05
VR60004B	6	6-1/2	8.20
VR60004F	6	6-1/2	7.90
VR60004T	6	6-1/2	7.88
VR60004U	6	6-1/2	7.90
VR60008B	6	7	24.85
VR60008F	6	7	24.85
VR60008T	6	7	24.85
VR62506B	6-1/4	7	22.19
VR62506F	6-1/4	7	22.19
VR62506T	6-1/4	7	22.19
VR65008B	6-1/2	7-1/2	28.20
VR65008F	6-1/2	7-1/2	28.20
VR67506F	6-3/4	7-1/2	27.06
VR70004B	7	7-1/2	13.15
VR70004F	7	7-1/2	13.15
VR70004T	7	7-1/2	13.15
VR70004U	7	7-1/2	13.15
VR70008B	7	8	51.33
VR70008F	7	8	51.33
VR70008T	7	8	51.33
VR75006F	7-1/2	8-1/4	34.28
VR75006U	7-1/2	8-1/4	34.28
VR75006T	7-1/2	8-1/4	34.28
VR75008F	7-1/2	8-1/2	52.23
VR79209.9F	7.925	9.17	76.19
VR79209.9R	7.925	9.17	64.60
VR80004B	8	8-1/2	15.94
VR80004F	8	8-1/2	15.94
VR80004T	8	8-1/2	15.94
VR80008F	8	9	44.27

STYLE 935 PTFE VEE RINGS



HERCULES PART NUMBERS

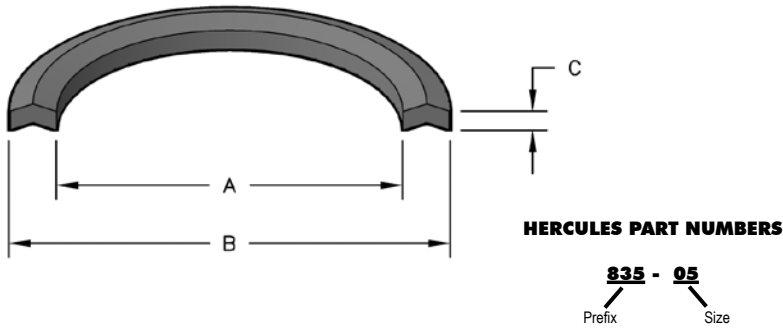
935 - 05
Prefix Size

SEAL INFORMATION	
MATERIAL	PTFE
TEMPERATURE RANGE	-100° TO +400° F
PRESSURE RANGE	0 TO 5,000 PSI
SPEED	12 FT/SEC

Part Number	A Nom. ID	B Nom. OD	C Nom. Ht	List Price
935-05	3/8	3/4	.083	\$11.87
935-16	3/4	1-1/4	.083	11.10
935-20	1	1-1/2	.083	11.38
935-24	1-1/4	1-3/4	.083	11.98
935-26	1-3/8	2	.14	12.58
935-27	1-1/2	2-1/8	.14	13.05
935-128	1-3/4	2-1/4	.083	13.99
935-29	1-3/4	2-3/8	.14	14.34
935-31	2	2-5/8	.14	16.56
935-2X2-3/4	2	2-3/4	.14	16.95
935-32	2-1/8	2-3/4	.14	17.17
935-35	2-1/2	3-1/8	.14	22.73
935-135	2-5/8	3-1/4	.14	21.22
935-38	2-3/4	3-1/2	.156	23.90
935-41	3-1/8	3-7/8	.156	25.04
935-42	3-1/4	4	.156	38.37
935-44	3-1/2	4-1/4	.156	30.14
935-46	3-3/4	4-1/2	.156	33.91
935-48	3-7/8	4-3/4	5/32	43.19
935-50	4-1/4	5-1/8	.197	85.81
935-51	4-1/2	5-3/8	.197	87.03
935-156	5-3/4	6-3/8	.14	49.15

INDIVIDUAL VEE RINGS & ADAPTORS

STYLE 835 HOMOGENEOUS RUBBER VEE RINGS

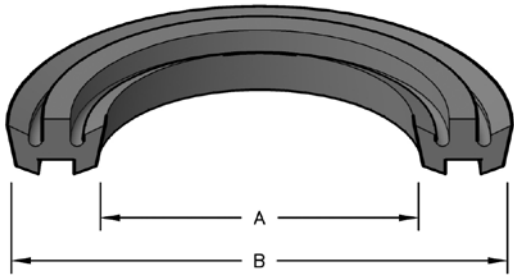


SEAL INFORMATION	
MATERIAL	70A DURO BUNA-N
TEMPERATURE RANGE	-40° TO +220° F
PRESSURE RANGE	0 TO 1,250 PSI
SPEED	3 FT/SEC
PART NUMBER	(Prefix) - (Size)

Part Number	A Nom. ID	B Nom. OD	C Nom. Ht	List Price
835-05	3/8	3/4	.083	\$3.15
835-07	1/2	7/8	.083	3.35
835-07-90D	1/2	7/8	.083	2.38
835-12	1/2	1	.083	4.14
835-14	5/8	1-1/8		6.23
835-14-90D	5/8	1-1/8	.083	6.23
835-16	3/4	1-1/4	.083	4.21
835-20	1	1-1/2	.083	4.57
835-20-90D	1	1-1/2	.083	4.57
835-22	1-1/8	1-5/8	.083	4.74
835-24	1-1/4	1-3/4	.083	4.84
835-25	1-1/4	1-7/8	.14	4.95
835-400-90D	1-3/8	1-7/8	.09	10.51
835-26	1-3/8	2	.14	5.03
835-26-90D	1-3/8	2	.14	5.03
835-27	1-1/2	2-1/8	.14	5.19
835-28	1-5/8	2-1/4	.14	5.53
835-128	1-3/4	2-1/4	.14	16.47
835-29	1-3/4	2-3/8	.14	6.58
835-29-90D	1-3/4	2-3/8	.14	13.59
835-31	2	2-5/8	.14	7.93
835-31-90D	2	2-5/8	.14	7.93
835-2X2-3/4	2	2-3/4	.14	9.94
835-32	2-1/8	2-3/4	.14	9.94
835-33	2-1/4	2-7/8	.14	10.06
835-35	2-1/2	3-1/8	.14	11.29
835-35-90D	2-1/2	3-1/8	.14	11.29
835-38	2-3/4	3-1/2	.156	12.58
835-40	3	3-3/4	.156	11.22
835-40-90D	3	3-3/4	.158	11.22
835-41	3-1/8	3-7/8	.156	12.89
835-42	3-1/4	4	.156	13.36
835-44	3-1/2	4-1/4	.156	14.86
835-46	3-3/4	4-1/2	.156	26.71
835-48	3-7/8	4-3/4	.156	26.29
835-49	4	4-7/8	.197	51.36
835-50	4-1/4	5-1/8	.197	24.21
835-51	4-1/2	5-3/8	.197	20.65
835-55	5-1/2	6-3/8	.197	27.75
835-156	5-3/4	6-3/8	.14	22.34
835-57	5-3/4	6-3/4	.197	26.64

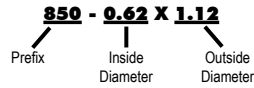
INDIVIDUAL VEE RINGS & ADAPTORS

STYLE 850 WV PACKING



STYLE 850 - NEO FAB

HERCULES PART NUMBERS

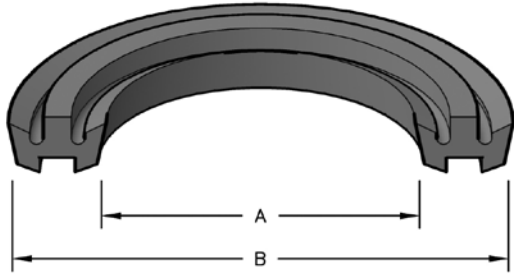


Part Number	A Nom. ID	B Nom. OD	List Price
850-0.62X1.12	5/8	1-1/8	\$19.96
850-0.75X1.25	3/4	1-1/4	18.42
850-1.00X1.50	1	1-1/2	13.93
850-1.25X1.75	1-1/4	1-3/4	34.65
850-1.25X2.00	1-1/4	2	17.84
850-1.50X2.00	1-1/2	2	14.20
850-1.75X2.25	1-3/4	2-1/4	33.15
850-1.87X2.37	1-7/8	2-3/8	37.77
850-2.00X2.50	2	2-1/2	14.60
850-2.00X3.00	2	3	26.48
850-2.25X2.75	2-1/4	2-3/4	16.12
850-2.45X3.002	2.45	3.002	46.87
850-2.50X3.00	2-1/2	3	31.11
850-2.75X3.50	2-3/4	3-1/2	32.75
850-3.43X4.00	3-7/16	4	31.39
850-3.50X4.50	3-1/2	4-1/2	42.48
850-3.68X4.25	3-11/16	4-1/4	37.41
850-3.95X4.50	3.95	4-1/2	179.87
850-4.25X5.00	4-1/4	5	45.65

WV PACKING

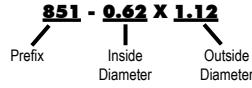


STYLE 851 WV PACKING



STYLE 851 - BUNA-N

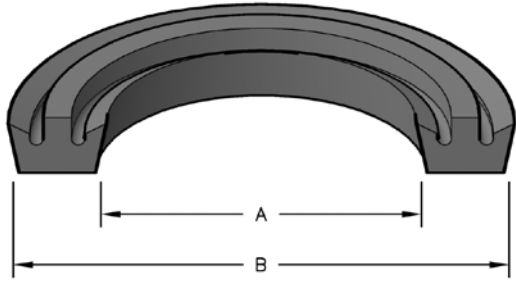
HERCULES PART NUMBERS



WV PACKING

Part Number	A Nom. ID	B Nom. OD	List Price
851-0.62X1.12	5/8	1-1/8	\$23.18
851-0.75X1.25	3/4	1-1/4	11.03
851-0.87X1.37	7/8	1-3/8	13.63
851-1.00X1.50	1	1-1/2	11.75
851-1.05X1.63	1-1/16	1-5/8	53.89
851-1.12X1.87	1-1/8	1-7/8	59.77
851-1.25X1.75	1-1/4	1-3/4	13.37
851-1.25X1.87	1-1/4	1-7/8	24.74
851-1.37X1.87	1-3/8	1-7/8	13.20
851-1.50X2.00	1-1/2	2	38.83
851-1.50X2.12	1-1/2	2-1/8	17.69
851-1.75X2.25	1-3/4	2-1/4	14.45
851-1.87X2.37	1-7/8	2-3/8	33.28
851-2.00X2.50	2	2-1/2	18.51
851-2.12X2.75	2-1/8	2-3/4	17.26
851-2.25X2.75	2-1/4	2-3/4	21.27
851-2.37X3.00	2-3/8	3	31.16
851-2.50X3.00	2-1/2	3	16.75
851-2.75X3.50	2-3/4	3-1/2	26.48
851-2.95X3.45	2.95	3.45	16.75
851-3.00X3.62	3	3-5/8	31.86
851-3.00X4.00	3	4	62.31
851-3.18X3.81	3-3/16	3-13/16	35.39
851-3.43X4.00	3-7/16	4	22.71
851-3.45X4.00	3.45	4	20.47
851-3.68X4.25	3-11/16	4-1/4	47.05
851-3.95X4.50	3.95	4-1/2	39.45
851-4.43X5.00	4-7/16	5	45.95
851-4.50X5.00	4-1/2	5	45.95
851-4.93X5.68	4-15/16	5-11/16	48.33

STYLE 852 WV PACKING



STYLE 852 - NEO FAB

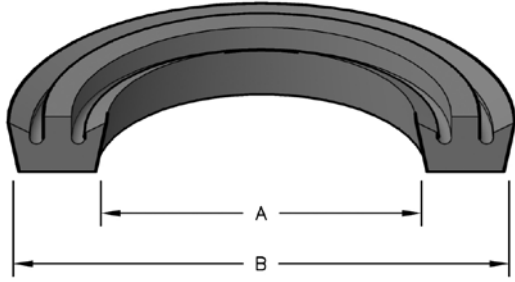
HERCULES PART NUMBERS

852 - 0.62 X 1.12
 Prefix Inside Diameter Outside Diameter

Part Number	A Nom. ID	B Nom. OD	List Price
852-0.62X1.12	5/8	1-1/8	\$31.53
852-0.75X1.25	3/4	1-1/4	22.03
852-1.00X1.50	1	1-1/2	11.32
852-1.25X1.75	1-1/4	1-3/4	33.13
852-1.25X2.00	1-1/4	2	17.18
852-1.37X2.12	1-3/8	2-1/8	17.80
852-1.50X2.00	1-1/2	2	37.86
852-1.50X2.12	1-1/2	2-1/8	13.78
852-1.75X2.25	1-3/4	2-1/4	13.94
852-1.87X2.37	1-7/8	2-3/8	27.50
852-2.00X2.50	2	2-1/2	14.05
852-2.50X3.00	2-1/2	3	32.76
852-2.75X3.50	2-3/4	3-1/2	25.51
852-2.95X3.45	2.95	3.45	33.98
852-3.00X4.00	3	4	34.15
852-3.45X4.00	3.45	4	49.46
852-3.50X4.50	3-1/2	4-1/2	45.84
852-3.68X4.25	3-11/16	4-1/4	43.85
852-3.95X4.50	3.95	4-1/2	38.03
852-4.25X5.00	4-1/4	5	43.96
852-4.43X5.00	4-7/16	5	44.26

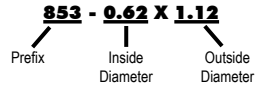
WV PACKING

STYLE 853 WV PACKING



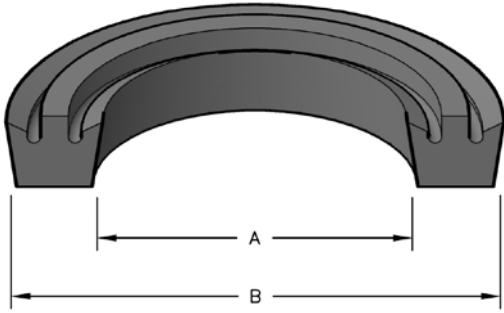
STYLE 853 - BUNA-N

HERCULES PART NUMBERS



Part Number	A Nom. ID	B Nom. OD	List Price
853-0.62X1.12	5/8	1-1/8	\$10.43
853-0.87X1.37	7/8	1-3/8	19.62
853-1.00X1.50	1	1-1/2	11.32
853-1.25X1.87	1-1/4	1-7/8	19.46
853-2.12X2.75	2-1/8	2-3/4	35.40
853-3.00X3.62	3	3-5/8	26.20

STYLE 855 WV PACKING



HERCULES PART NUMBERS

855 - 0.75 X 1.25
 Prefix Inside Diameter Outside Diameter

STYLE 855 - BUNA-N

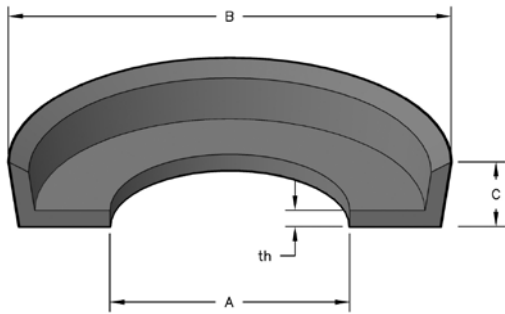
C = Carboxilated Nitrile

Part Number	A Nom. ID	B Nom. OD	List Price
855-0.75X1.25	3/4	1-1/4	\$20.71
855-1.00X1.50	1	1-1/2	18.03
855-1.25X1.87	1-1/4	1-7/8	30.80
855-1.37X2.00	1-3/8	2	15.16
855-1.50X2.12	1-1/2	2-1/8	15.50
855-2.00X3.00	2	3	30.05
855-2.37X3.00	2-3/8	3	18.21
855-2.37X3.00-C	2-3/8	3	14.64
855-3.25X4.00	3-1/4	4	32.62

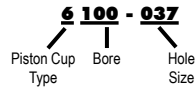
WV PACKING

STYLE 6000 RUBBER PISTON CUPS

NOTE: The 6000 piston cups are center punched if there is no hole size indicated.

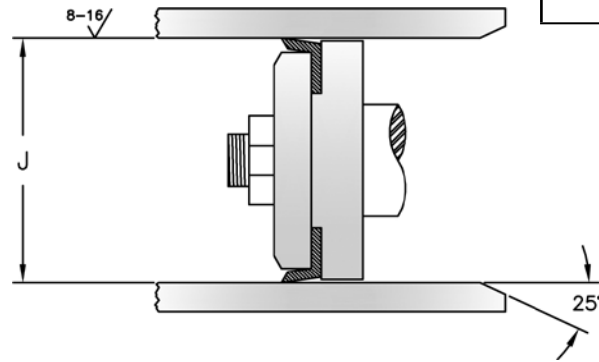


HERCULES PART NUMBERS



SEAL INFORMATION

MATERIAL	BUNA-N RUBBER
TEMPERATURE RANGE	-40° TO +220° F
PRESSURE RANGE	0 TO 150 PSI
SPEED	3 FT/SEC



PISTON CUPS

Part Number	A Nom. ID	B Nom. OD	C Nom. Ht	J BORE DIAMETER	th THICKNESS	List Price
6062	N/A	5/8	.305	.625	.115	\$12.51
6075	N/A	3/4	5/16	.750	.093	7.22
6100	N/A	1	7/16	1.000	.093	7.67
6100-037	3/8	1	7/16	1.000	.093	7.67
6125	N/A	1-1/4	1/2	1.250	.125	8.81
6137	N/A	1-3/8	1/2	1.375	.125	9.00
6150	N/A	1-1/2	1/2	1.500	.125	9.00
6150-062	5/8	1-1/2	1/2	1.500	.125	9.00
6162	N/A	1-5/8	1/2	1.625	.125	8.73
6175	N/A	1-3/4	1/2	1.750	.125	9.58
6187	N/A	1-7/8	1/2	1.875	.125	17.02
6200	N/A	2	1/2	2.000	.125	9.98
6225	N/A	2-1/4	1/2	2.250	.125	10.75
6237-050	1/2	2-3/8	1/2	2.375	.125	11.10
6237-100	1	2-3/8	1/2	2.375	.125	11.10
6250	N/A	2-1/2	1/2	2.500	.125	11.37
6250-062	5/8	2-1/2	1/2	2.500	.125	12.31
6262	N/A	2-5/8	1/2	2.625	.125	11.67
6275	N/A	2-3/4	1/2	2.750	.125	11.97
6275-068	11/16	2-3/4	1/2	2.750	.125	11.97
6287	N/A	2-7/8	1/2	2.875	.125	12.34
6300	N/A	3	5/8	3.000	.156	12.38
6312	N/A	3-1/8	5/8	3.125	.156	12.21
6325	N/A	3-1/4	5/8	3.250	.156	26.15
6350	N/A	3-1/2	5/8	3.500	.156	26.36
6375	N/A	3-3/4	5/8	3.750	.156	27.26
6400	N/A	4	5/8	4.000	.156	16.05
6400-275-90D	2-3/4	4	5/8	4.000	.156	17.57
6425	N/A	4-1/4	5/8	4.250	.156	18.16
6450	N/A	4-1/2	5/8	4.500	.156	27.83

STYLE 6000 RUBBER PISTON CUPS

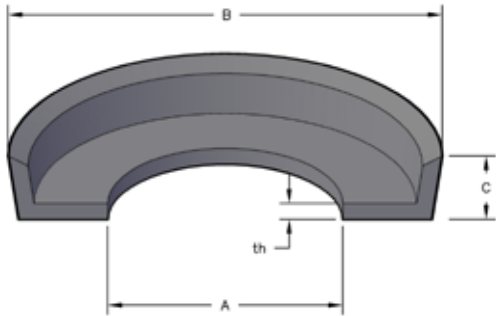


Part Number	A Nom. ID	B Nom. OD	C Nom. Ht	J BORE DIAMETER	th THICKNESS	List Price
6475	N/A	4-3/4	5/8	4.750	.156	21.69
6500	N/A	5	3/4	5.000	.187	39.18
6500-075	3/4	5	3/4	5.000	.187	39.28
6550	N/A	5-1/2	3/4	5.500	.187	26.56
6575	N/A	5-3/4	3/4	5.750	.187	24.39
6600	N/A	6	3/4	6.000	.187	29.68
6610	N/A	6	1	6.000	.187	41.86
6600-100	1	6	3/4	6.000	.187	45.74
6600-400-90D	4	6	3/4	6.000	.187	32.18
6625	N/A	6-1/4	3/4	6.250	.187	32.09
6650	N/A	6-1/2	3/4	6.500	.187	34.10
6700	N/A	7	3/4	7.000	.187	42.33
6800	N/A	8	1	8.000	.187	57.12
6800-525A-90D	5-1/4	8	3/4	8.000	.187	54.87
6900	N/A	9	1	9.000	.187	64.27
61000	N/A	10	1	10.000	.187	64.81
61200	N/A	12	1	12.000	.187	114.79
61400	N/A	14	1	14.000	.187	117.80

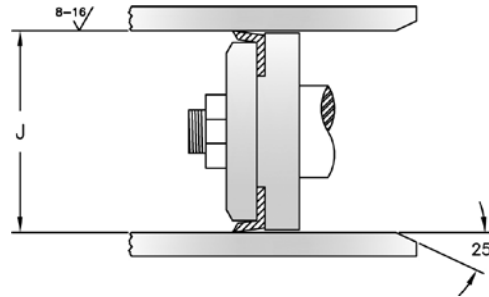
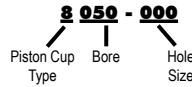
PISTON CUPS

STYLE 8000 URETHANE PISTON CUPS

NOTE: The 8000 piston cups are center punched.



HERCULES PART NUMBERS



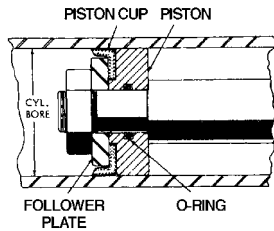
To obtain best results from any style of piston cup, it is recommended that the piston properly support the heel of the cup.

Recommended diametral clearance between the piston and cylinder wall are as follows:

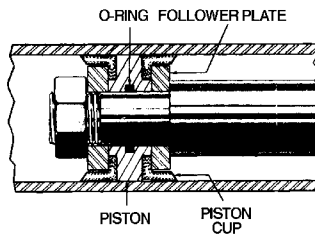
1" to 2-1/4"	.005"
2-1/2" to 4-3/4"	.008"
5" to 10"	.010"

The following piston designs meet standard industry practices:

SINGLE ACTING PISTON



DOUBLE ACTING PISTON



SEAL INFORMATION

MATERIAL	90A URETHANE
TEMPERATURE RANGE	-65° TO +220° F
PRESSURE RANGE	0 TO 1,200 PSI
SPEED	3 FT/SEC

The height of the machined shoulder most frequently used to control squeeze on the heel of the cup is as follows:

Cups 1/8" thick	.116/.119"
Cups 5/32" thick	.146/.149"
Cups 3/16" thick	.178/.181"

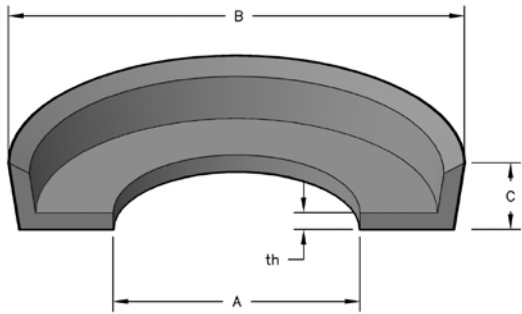
The follower plate should be approximately .110" smaller than the ID of the cup. To reduce any tendency of the cup to extrude under pressure a phonograph finish may be machined on the surface of the follower plate.

Part Number	A Nom. ID	B Nom. OD	C Nom. Ht	J BORE DIAMETER	C LIP HEIGHT	th THICKNESS	List Price
8050-000	N/A	1/2	1/4	.500	.250	.09375	\$12.54
8100-000	N/A	1	1/2	1.000	.500	.125	13.49
8150-000	N/A	1-1/2	1/2	1.500	.500	.125	18.50
8175-000	N/A	1-3/4	1/2	1.750	.500	.125	21.57
8275-000	N/A	2-3/4	5/8	2.750	.625	.1875	32.56
8300-000	N/A	3	5/8	3.000	.625	.1875	33.46
8325-000	N/A	3-1/4	5/8	3.250	.625	.1875	36.97
8337-000	N/A	3-3/8	5/8	3.375	.625	.1875	40.21
8350-000	N/A	3-1/2	5/8	3.500	.625	.1875	43.49
8400-000	N/A	4	5/8	4.000	.625	.1875	50.28
8450-000	N/A	4-1/2	5/8	4.500	.625	.1875	64.47
8500-000	N/A	5	5/8	5.000	.625	.1875	65.88
8550-000	N/A	5-1/2	3/4	5.500	.750	.1875	67.26
8600-000	N/A	6	3/4	6.000	.750	.1875	75.14
8650-000	N/A	6-1/2	3/4	6.500	.750	.1875	82.71

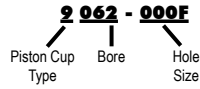
STYLE 9000 NEO-FAB PISTON CUPS



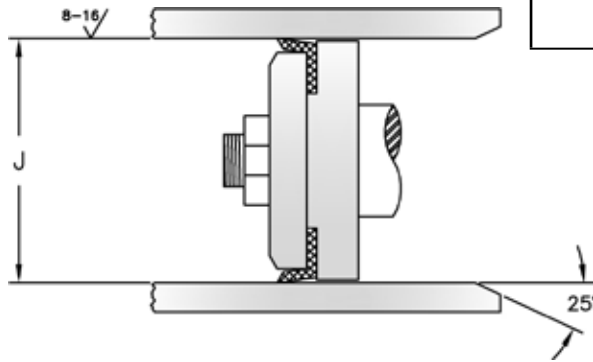
Piston cups are constructed of rubberized fabric. Cups with no hole are center punched.



HERCULES PART NUMBERS



SEAL INFORMATION	
MATERIAL	COTTON FABRIC & RUBBER
TEMPERATURE RANGE	-35° TO +220° F
PRESSURE RANGE	0 TO 2,500 PSI
SPEED	1.5 FT/SEC



PISTON CUPS

Part Number	A Nom. ID	B Nom. OD	C Nom. Ht	J BORE DIAMETER	th THICKNESS	List Price
9062-000F	N/A	5/8	5/16	.625	.09375	\$34.39
9075-000F	N/A	3/4	7/16	.750	.09375	10.13
9087-000F	N/A	7/8	3/8	.875	.09375	19.06
9100-000F	N/A	1	7/16	1.000	.09375	34.27
9100-025F	1/4	1	7/16	1.000	.09375	10.64
9100-037F	3/8	1	7/16	1.000	.09375	31.12
9100-050F	1/2	1	7/16	1.000	.09375	10.64
9112-000F	N/A	1-1/8	7/16	1.125	.09375	12.18
9125-000F	N/A	1-1/4	7/16	1.250	.09375	12.71
9125-037F	3/8	1-1/4	7/16	1.250	.09375	12.71
9137-000F	N/A	1-3/8	7/16	1.375	.09375	12.54
9137-062F	5/8	1-3/8	7/16	1.375	.09375	12.54
9150-000F	N/A	1-1/2	1/2	1.500	.125	15.00
9150-037F	3/8	1-1/2	1/2	1.500	.125	15.00
9150-062F	5/8	1-1/2	1/2	1.500	.125	15.00
9162-000F	N/A	1-5/8	1/2	1.625	.125	36.73
9175-000F	N/A	1-3/4	1/2	1.750	.125	17.20
9175-062F	5/8	1-3/4	1/2	1.750	.125	17.20
9175-069F	11/16	1-3/4	1/2	1.750	.125	17.20
9187-000F	N/A	1-7/8	1/2	1.875	.125	17.79
9187-062F	5/8	1-7/8	1/2	1.875	.125	17.79
9200-000F	N/A	2	1/2	2.000	.125	18.47
9200-037F	3/8	2	1/2	2.000	.125	18.47
9200-050F	1/2	2	1/2	2.000	.125	18.47
9200-062F	5/8	2	1/2	2.000	.125	18.47
9200-100F	1	2	1/2	2.000	.125	18.47
9212-000F	N/A	2-1/8	1/2	2.125	.125	23.28
9225-000F	N/A	2-1/4	1/2	2.250	.125	19.27
9225-075F	3/4	2-1/4	1/2	2.250	.125	19.27
9225-100F	1	2-1/4	1/2	2.250	.125	19.27

STYLE 9000 NEO-FAB PISTON CUPS

PISTON CUPS

Part Number	A Nom. ID	B Nom. OD	C Nom. Ht	J BORE DIAMETER	th THICKNESS	List Price
9237-000F	N/A	2-3/8	1/2	2.375	.125	19.27
9237-050F	1/2	2-3/8	1/2	2.375	.125	19.27
9237-100F	1	2-3/8	1/2	2.375	.125	19.27
9250-000F	N/A	2-1/2	1/2	2.500	.125	19.20
9250-037F	3/8	2-1/2	1/2	2.500	.125	21.05
9250-062F	5/8	2-1/2	1/2	2.500	.125	21.05
9250-075F	3/4	2-1/2	1/2	2.500	.125	21.05
9250-100F	1	2-1/2	1/2	2.500	.125	21.05
9250-125F	1-1/4	2-1/2	1/2	2.500	.125	21.05
9250-137F	1-3/8	2-1/2	1/2	2.500	.125	21.05
9262-000F	N/A	2-5/8	1/2	2.625	.125	43.64
9275-000F	N/A	2-3/4	1/2	2.750	.125	22.75
9275-075F	3/4	2-3/4	1/2	2.750	.125	22.75
9275-100F	1	2-3/4	1/2	2.750	.125	22.75
9275-150F	1-1/2	2-3/4	1/2	2.750	.125	22.75
9287-000F	N/A	2-7/8	1/2	2.875	.125	59.66
9300-000F	N/A	3	5/8	3.000	.15625	24.59
9300-050F	1/2	3	5/8	3.000	.15625	24.59
9300-100F	1	3	5/8	3.000	.15625	24.59
9300-125F	1-1/4	3	5/8	3.000	.15625	24.59
9300-137F	1-3/8	3	5/8	3.000	.15625	24.59
9300-150F	1-1/2	3	5/8	3.000	.15625	24.59
9300-162F	1-5/8	3	5/8	3.000	.15625	24.59
9300-175F	1-3/4	3	5/8	3.000	.15625	24.59
9300-187F	1-7/8	3	5/8	3.000	.15625	24.59
9312-100F	1	3-1/8	5/8	3.125	.15625	32.92
9325-000F	N/A	3-1/4	5/8	3.250	.15625	30.95
9325-037F	3/8	3-1/4	5/8	3.250	.15625	29.08
9325-050F	1/2	3-1/4	5/8	3.250	.15625	29.08
9325-100F	1	3-1/4	5/8	3.250	.15625	29.08
9337-037F	3/8	3-3/8	5/8	3.375	.15625	80.13
9350-000F	N/A	3-1/2	5/8	3.500	.15625	30.81
9350-025F	1/4	3-1/2	5/8	3.500	.15625	30.81
9350-050F	1/2	3-1/2	5/8	3.500	.15625	30.81
9350-100F	1	3-1/2	5/8	3.500	.15625	30.81
9350-125F	1-1/4	3-1/2	5/8	3.500	.15625	35.74
9350-150F	1-1/2	3-1/2	5/8	3.500	.15625	30.81
9350-187F	1-7/8	3-1/2	5/8	3.500	.15625	30.81
9350-200F	2	3-1/2	5/8	3.500	.15625	36.23
9350-237F	2-3/8	3-1/2	5/8	3.500	.15625	30.81
9362-000F	N/A	3-5/8	5/8	3.625	.15625	43.97
9375-000F	N/A	3-3/4	5/8	3.750	.15625	36.93
9375-050F	1/2	3-3/4	5/8	3.750	.15625	36.93
9375-075F	3/4	3-3/4	5/8	3.750	.15625	32.48
9387-000F	N/A	3-7/8	5/8	3.875	.15625	77.95
9400-000F	N/A	4	5/8	4.000	.15625	34.72
9400-050F	1/2	4	5/8	4.000	.15625	34.72
9400-150F	1-1/2	4	5/8	4.000	.15625	34.72
9400-162F	1-5/8	4	5/8	4.000	.15625	34.72
9400-175F	1-3/4	4	5/8	4.000	.15625	41.83
9400-187F	1-7/8	4	5/8	4.000	.15625	34.72
9400-200F	2	4	5/8	4.000	.15625	34.72
9400-225F	2-1/4	4	5/8	4.000	.15625	34.72
9400-250F	2-1/2	4	5/8	4.000	.15625	34.72
9425-000F	N/A	4-1/4	5/8	4.250	.15625	87.80
9425-137F	1-3/8	4-1/4	5/8	4.250	.15625	42.69
9450-000F	N/A	4-1/2	5/8	4.500	.15625	43.25
9450-075F	3/4	4-1/2	5/8	4.500	.15625	43.25

STYLE 9000 NEO-FAB PISTON CUPS



PISTON CUPS

Part Number	A Nom. ID	B Nom. OD	C Nom. Ht	J BORE DIAMETER	th THICKNESS	List Price
9450-187F	1-7/8	4-1/2	5/8	4.500	.15625	43.25
9450-225F	2-1/4	4-1/2	5/8	4.500	.15625	43.25
9450-250F	2-1/2	4-1/2	5/8	4.500	.15625	43.25
9475-000F	N/A	4-3/4	5/8	4.750	.15625	92.94
9475-050F	1/2	4-3/4	5/8	4.750	.15625	67.93
9500-000F	N/A	5	3/4	5.000	.1875	52.84
9500-100F	1	5	3/4	5.000	.1875	52.84
9500-125F	1-1/4	5	3/4	5.000	.1875	52.84
9500-250F	2-1/2	5	3/4	5.000	.1875	52.84
9525-050F	1/2	5-1/4	3/4	5.250	.1875	54.58
9550-000F	N/A	5-1/2	3/4	5.500	.1875	55.61
9550-200F	2	5-1/2	3/4	5.500	.1875	58.42
9575-000F	N/A	5-3/4	3/4	5.750	.1875	75.04
9600-000F	N/A	6	3/4	6.000	.1875	79.07
9600-050F	1/2	6	3/4	6.000	.1875	79.07
9600-200F	2	6	3/4	6.000	.1875	79.07
9600-250F	2-1/2	6	3/4	6.000	.1875	79.07
9600-350F	3-1/2	6	3/4	6.000	.1875	79.07
9650-000F	N/A	6-1/2	3/4	6.500	.1875	88.40
9700-000F	N/A	7	3/4	7.000	.1875	95.36
9700-275F	2-3/4	7	1	7.000	.219	95.36
9700-400F	4	7	3/4	7.000	.1875	95.36
9800-000F	N/A	8	1	8.000	.1875	112.86
9800-100F	1	8	1	8.000	.1875	148.29
9800-125F	1-1/4	8	1	8.000	.1875	112.86
9900-000F	N/A	9	1	9.000	.1875	166.79
91000-100F	1	10	1	10.000	.1875	185.52
91200-000F	N/A	12	1	12.000	.1875	245.21

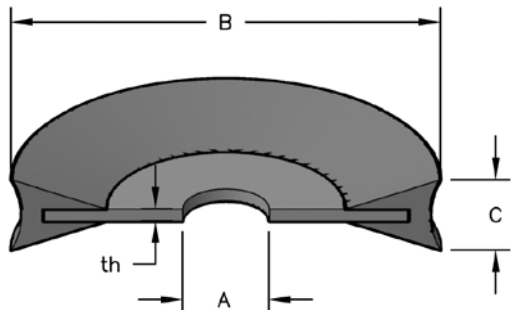
Part Number	A Nom. ID	B Nom. OD	C Nom. Ht	J BORE DIAMETER	th THICKNESS	List Price
9200-062ED	5/8	2	7/8	2.000	.21875	\$25.02
9262-087ED	7/8	2-5/8	7/8	2.625	.21875	46.04
9325-100ED	1	3-1/4	13/16	3.250	.21875	49.62
9387-112ED	1-1/8	3-7/8	7/8	3.875	.21875	56.72
9475-125ED	1-1/4	4-3/4	7/8	4.750	.21875	68.28
9575-150ED	1-1/2	5-3/4	7/8	5.750	.21875	80.98

Note: These piston cups are specially sized for use in EDBRO Cylinders.

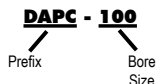


STYLE DAPC ONE PIECE DOUBLE ACTING PISTON CUPS

This complete piston cup with a simple, one-piece construction serves the same purpose as a multi-assembly unit and is more economical with easy maintenance, dependability and long life. The unique piston cup consists of homogeneous rubber bonded to a zinc-coated steel plate. The center hole may be enlarged to accommodate larger piston rods. Recommended for pneumatic and low-pressure hydraulic applications.

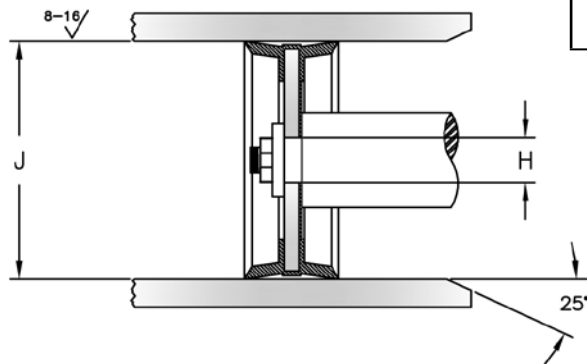


HERCULES PART NUMBERS



SEAL INFORMATION

MATERIAL	RUBBER LIP, ZINC COATED STEEL PLATE
TEMPERATURE RANGE	-40° TO +220° F
PRESSURE RANGE	0 TO 800 PSI
SPEED	3 FT/SEC



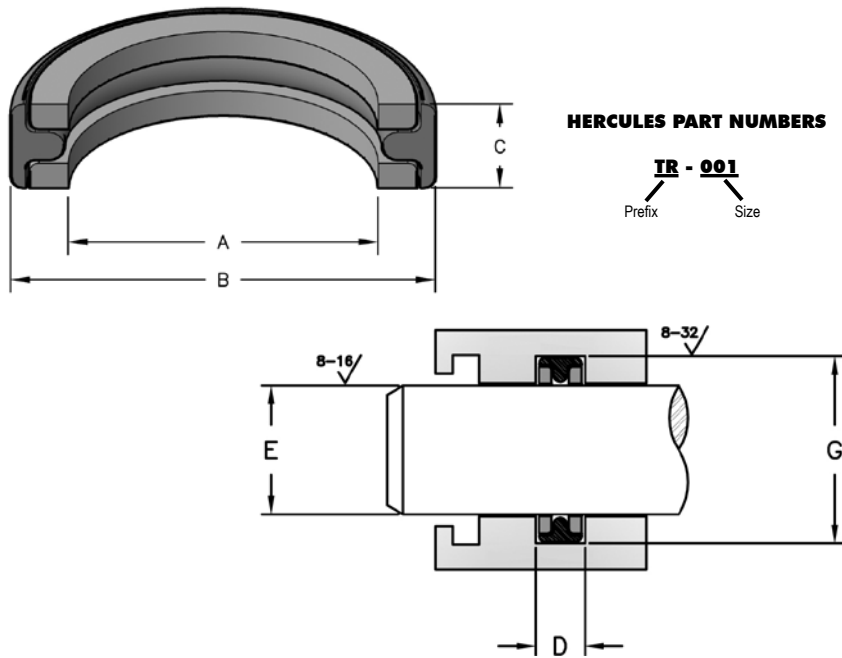
PISTON CUPS

Part Number	A Nom. ID	B Nom. OD	C Nom. Ht	J BORE DIAMETER	H HOLE SIZE	C LIP HEIGHT	th THICKNESS	List Price
DAPC-100	1/4	1	3/8	1.000	.250	.375	.09375	\$41.39
DAPC-125	1/4	1-1/4	1/2	1.250	.250	.500	.09375	49.68
DAPC-137	1/4	1-3/8	1/2	1.375	.250	.500	.09375	42.75
DAPC-150	1/4	1-1/2	1/2	1.500	.250	.500	.09375	45.38
DAPC-175	1/4	1-3/4	1/2	1.750	.250	.500	.09375	45.38
DAPC-200	3/8	2	9/16	2.000	.375	.5625	.125	45.38
DAPC-225	3/8	2-1/4	9/16	2.250	.375	.5625	.125	46.75
DAPC-250	3/8	2-1/2	9/16	2.500	.375	.5625	.125	58.45
DAPC-300	1/2	3	9/16	3.000	.500	.5625	.125	66.17
DAPC-325	1/2	3-1/4	9/16	3.250	.500	.5625	.125	102.78
DAPC-350	1/2	3-1/2	3/4	3.500	.500	.750	.1875	98.47
DAPC-400	1/2	4	3/4	4.000	.500	.750	.1875	116.91
DAPC-450	3/4	4-1/2	3/4	4.500	.750	.750	.1875	116.77
DAPC-500	3/4	5	15/16	5.000	.750	.9375	.250	210.38
DAPC-600	3/4	6	15/16	6.000	.750	.9375	.250	228.26

STYLE TR ROD T-SEALS



T-Seals combine a resilient sealing ring with a hard, split back-up ring on each side of the sealing element. The assembly installs in a standard o-ring groove. T-Seals are non-spiraling and extrusion resistant to 5,000 psi with improved tolerances.



SEAL INFORMATION	
MATERIAL	BUNA-N RUBBER SEAL HARD PLASTIC BACK-UPS
TEMPERATURE RANGE	-35° TO +220° F
PRESSURE RANGE	0 TO 5,000 PSI
SPEED	3 FT/SEC

T-SEALS

Part Number	A Nom. ID	B Nom. OD	C Nom. Ht	O-RING DASH NUMBER	D GROOVE WIDTH	E ROD DIAMETER	G HOUSING DIAMETER	List Price
TR-106	3/16	3/8	.15	-106	.150 ^{+0.010} / _{+0.000}	.187 ^{+0.000} / _{-.002}	.370 ±.002	\$27.53
TR-204	3/8	5/8	.185	-204	.185 ^{+0.010} / _{+0.000}	.375 ^{-.001} / _{-.003}	.618 ±.002	8.60
TR-206	1/2	3/4	.185	-206	.185 ^{+0.010} / _{+0.000}	.500 ^{-.001} / _{-.003}	.743 ±.002	14.51
TR-208	5/8	7/8	.185	-208	.185 ^{+0.010} / _{+0.000}	.625 ^{-.001} / _{-.003}	.868 ±.002	10.68
TR-209	11/16	15/16	.185	-209	.185 ^{+0.010} / _{+0.000}	.687 ^{-.001} / _{-.003}	.930 ±.002	31.97
TR-210	3/4	1	.185	-210	.185 ^{+0.010} / _{+0.000}	.750 ^{-.002} / _{-.004}	.992 ±.002	11.31
TR-212	7/8	1-1/8	.185	-212	.185 ^{+0.010} / _{+0.000}	.875 ^{-.002} / _{-.004}	1.117 ±.002	12.87
TR-214	1	1-1/4	.185	-214	.185 ^{+0.010} / _{+0.000}	1.000 ^{-.002} / _{-.004}	1.242 ±.002	11.31
TR-215	1-1/16	1-5/16	.185	-215	.185 ^{+0.010} / _{+0.000}	1.062 ^{-.002} / _{-.004}	1.304 ±.002	31.97
TR-216	1-1/8	1-3/8	.185	-216	.185 ^{+0.010} / _{+0.000}	1.125 ^{-.002} / _{-.004}	1.367 ±.002	12.87
TR-217	1-3/16	1-7/16	.185	-217	.185 ^{+0.010} / _{+0.000}	1.187 ^{-.002} / _{-.004}	1.429 ±.002	29.85
TR-218	1-1/4	1-1/2	.185	-218	.185 ^{+0.010} / _{+0.000}	1.250 ^{-.002} / _{-.004}	1.492 ±.002	11.58
TR-220	1-3/8	1-5/8	.185	-220	.185 ^{+0.010} / _{+0.000}	1.375 ^{-.002} / _{-.004}	1.617 ±.002	15.55
TR-222	1-1/2	1-3/4	.185	-222	.185 ^{+0.010} / _{+0.000}	1.500 ^{-.002} / _{-.004}	1.742 ±.002	12.87
TR-325	1-1/2	1-7/8	.28	-325	.280 ^{+0.010} / _{+0.000}	1.500 ^{-.002} / _{-.004}	1.871 ±.002	10.53
TR-326	1-5/8	2	.28	-326	.280 ^{+0.010} / _{+0.000}	1.625 ^{-.002} / _{-.004}	1.996 ±.002	15.89
TR-327	1-3/4	2-1/8	.28	-327	.280 ^{+0.010} / _{+0.000}	1.750 ^{-.002} / _{-.004}	2.121 ±.002	11.91



STYLE TR ROD T-SEALS

T-SEALS

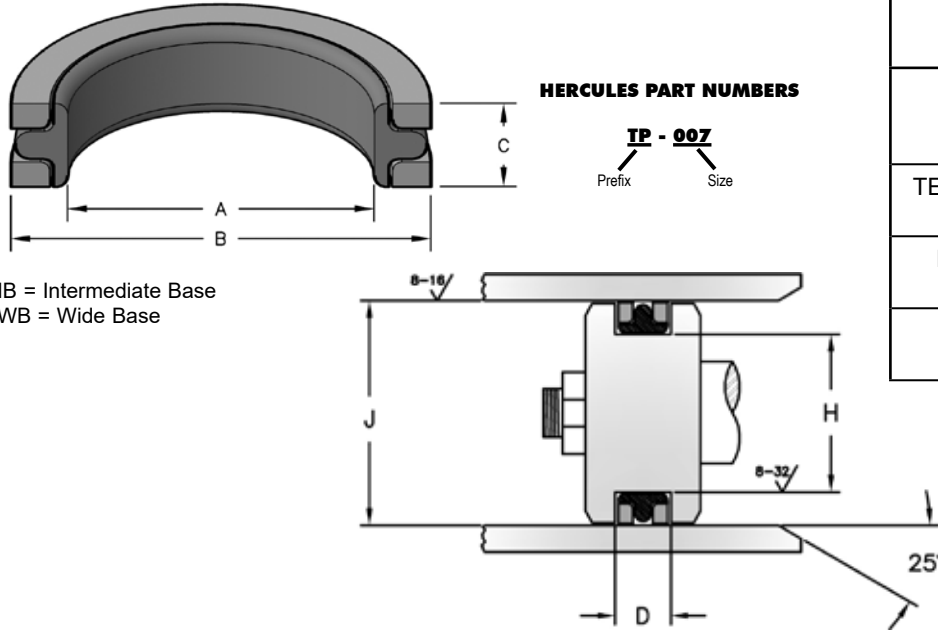
Part Number	A Nom. ID	B Nom. OD	C Nom. Ht	O-RING DASH NUMBER	D GROOVE WIDTH	E ROD DIAMETER	G HOUSING DIAMETER	List Price
TR-328	1-7/8	2-1/4	.28	-328	.280 ^{+0.010} / _{+0.000}	1.875 ^{-0.002} / _{-0.004}	2.246 ±.002	16.42
TR-329	2	2-3/8	.28	-329	.280 ^{+0.010} / _{+0.000}	2.000 ^{-0.002} / _{-0.004}	2.371 ±.002	13.26
TR-329-WB	2	2-3/8	.405	-329	.405 ^{+0.010} / _{+0.000}	2.000 ^{-0.002} / _{-0.004}	2.371 ±.002	28.83
TR-330	2-1/8	2-1/2	.28	-330	.280 ^{+0.010} / _{+0.000}	2.125 ^{-0.002} / _{-0.004}	2.496 ±.002	14.03
TR-331	2-1/4	2-5/8	.28	-331	.280 ^{+0.010} / _{+0.000}	2.250 ^{-0.002} / _{-0.004}	2.613 ±.002	15.66
TR-332	2-3/8	2-3/4	.28	-332	.280 ^{+0.010} / _{+0.000}	2.375 ^{-0.001} / _{-0.005}	2.746 ^{+0.001} / _{-0.003}	16.30
TR-333	2-1/2	2-7/8	.28	-333	.280 ^{+0.010} / _{+0.000}	2.500 ^{-0.001} / _{-0.005}	2.871 ^{+0.001} / _{-0.003}	16.47
TR-334	2-5/8	3	.28	-334	.280 ^{+0.010} / _{+0.000}	2.625 ^{-0.001} / _{-0.005}	2.996 ^{+0.001} / _{-0.003}	16.52
TR-335	2-3/4	3-1/8	.28	-335	.280 ^{+0.010} / _{+0.000}	2.750 ^{-0.001} / _{-0.005}	3.121 ^{+0.001} / _{-0.003}	18.76
TR-336	2-7/8	3-1/4	.28	-336	.280 ^{+0.010} / _{+0.000}	2.875 ^{-0.001} / _{-0.005}	3.246 ^{+0.001} / _{-0.003}	19.27
TR-337	3	3-3/8	.28	-337	.280 ^{+0.010} / _{+0.000}	3.000 ^{-0.002} / _{-0.006}	3.370 ^{+0.001} / _{-0.003}	20.15
TR-338	3-1/8	3-1/2	.28	-338	.280 ^{+0.010} / _{+0.000}	3.125 ^{-0.002} / _{-0.006}	3.495 ^{+0.001} / _{-0.003}	21.58
TR-339	3-1/4	3-5/8	.28	-339	.280 ^{+0.010} / _{+0.000}	3.250 ^{-0.002} / _{-0.006}	3.620 ^{+0.001} / _{-0.003}	23.05
TR-340	3-3/8	3-3/4	.28	-340	.280 ^{+0.010} / _{+0.000}	3.375 ^{-0.002} / _{-0.006}	3.745 ^{+0.001} / _{-0.003}	23.89
TR-341	3-1/2	3-7/8	.28	-341	.280 ^{+0.010} / _{+0.000}	3.500 ^{-0.002} / _{-0.006}	3.870 ^{+0.001} / _{-0.003}	25.62
TR-342	3-5/8	4	.28	-342	.280 ^{+0.010} / _{+0.000}	3.625 ^{-0.002} / _{-0.006}	3.995 ^{+0.001} / _{-0.003}	26.81
TR-343	3-3/4	4-1/8	.28	-343	.280 ^{+0.010} / _{+0.000}	3.750 ^{-0.002} / _{-0.006}	4.120 ^{+0.001} / _{-0.003}	53.79
TR-344	3-7/8	4-1/4	.28	-344	.280 ^{+0.010} / _{+0.000}	3.875 ^{-0.002} / _{-0.006}	4.245 ^{+0.001} / _{-0.003}	29.30
TR-345	4	4-3/8	.28	-345	.280 ^{+0.010} / _{+0.000}	4.000 ^{-0.002} / _{-0.006}	4.370 ^{+0.001} / _{-0.003}	31.14
TR-347	4-1/4	4-5/8	.28	-347	.280 ^{+0.010} / _{+0.000}	4.250 ^{-0.002} / _{-0.006}	4.620 ^{+0.001} / _{-0.003}	41.55
TR-348	4-3/8	4-3/4	.28	-348	.280 ^{+0.010} / _{+0.000}	4.375 ^{-0.002} / _{-0.006}	4.745 ^{+0.001} / _{-0.003}	38.51
TR-349	4-1/2	4-7/8	.28	-349	.280 ^{+0.010} / _{+0.000}	4.500 ^{-0.002} / _{-0.006}	4.870 ^{+0.001} / _{-0.003}	70.84
TR-429	5	5-1/2	.366	-429	.366 ^{+0.010} / _{+0.000}	5.000 ^{-0.002} / _{-0.006}	5.475 ^{+0.001} / _{-0.003}	48.54
TR-431	5-1/4	5-3/4	.366	-431	.366 ^{+0.010} / _{+0.000}	5.250 ^{-0.002} / _{-0.006}	5.725 ^{+0.001} / _{-0.003}	62.07
TR-433	5-1/2	6	.366	-433	.366 ^{+0.010} / _{+0.000}	5.500 ^{-0.002} / _{-0.006}	5.975 ^{+0.001} / _{-0.003}	104.23
TR-437	6	6-1/2	.366	-437	.366 ^{+0.010} / _{+0.000}	6.000 ^{-0.001} / _{-0.007}	6.475 ^{+0.002} / _{-0.004}	61.43
TR-439	6-1/2	7	.366	-439	.366 ^{+0.010} / _{+0.000}	6.500 ^{-0.001} / _{-0.007}	6.975 ^{+0.002} / _{-0.004}	104.29
TR-441	7	7-1/2	.366	-441	.366 ^{+0.010} / _{+0.000}	7.000 ^{-0.001} / _{-0.007}	7.475 ^{+0.002} / _{-0.004}	89.90
TR-443	7-1/2	8	.366	-443	.366 ^{+0.010} / _{+0.000}	7.500 ^{-0.001} / _{-0.007}	7.984 ^{+0.002} / _{-0.004}	110.72
TR-445	8	8-1/2	.366	-445	.366 ^{+0.010} / _{+0.000}	8.000 ^{-0.001} / _{-0.007}	8.475 ^{+0.002} / _{-0.004}	166.88
TR-447	9	9-1/2	.366	-447	.366 ^{+0.010} / _{+0.000}	9.000 ^{-0.001} / _{-0.007}	9.475 ^{+0.002} / _{-0.004}	192.91

Seal color may vary. Special order sizes are available. Sizes not shown and out of stock items can also be ordered for next day delivery through Seals On Demand, our custom seal program. Please call your regional sales team for assistance.

STYLE TP PISTON T-SEALS



T-Seals combine a resilient sealing ring with a hard, split back-up ring on each side of the sealing element. The assembly installs in a standard o-ring groove. T-Seals are non-spiraling and extrusion resistant to 5,000 psi with improved tolerances. Intermediate and Wide Base T-Seals are designed to fit MIL-5514F o-ring glands only and interchange with 1 o-ring / 1 back-up ring and 1 o-ring / 2 back-up ring grooves, respectively.



IB = Intermediate Base
WB = Wide Base

SEAL INFORMATION	
MATERIAL	BUNA-N RUBBER SEAL HARD PLASTIC BACK-UPS
TEMPERATURE RANGE	-35° TO +220° F
PRESSURE RANGE	0 TO 5,000 PSI
SPEED	3 FT/SEC

T-SEALS

Part Number	A Nom. ID	B Nom. OD	C Nom. Ht	O-RING DASH NUMBER	D GROOVE WIDTH	H GROOVE DIAMETER	J BORE DIAMETER	List Price
TP-206	1/2	3/4	.185	-206	.185 ^{+0.010} / _{+0.000}	.505 ^{+0.002} / _{+0.000}	.750 ±.001	\$12.71
TP-208	5/8	7/8	.185	-208	.185 ^{+0.010} / _{+0.000}	.630 ^{+0.002} / _{+0.000}	.875 ±.001	10.94
TP-210	3/4	1	.185	-210	.185 ^{+0.010} / _{+0.000}	.756 ^{+0.002} / _{+0.000}	1.000 ^{+0.002} / _{+0.000}	12.17
TP-211	13/16	1-1/16	.185	-211	.185 ^{+0.010} / _{+0.000}	.818 ^{+0.002} / _{+0.000}	1.063 ^{+0.002} / _{+0.000}	14.78
TP-212	7/8	1-1/8	.185	-212	.185 ^{+0.010} / _{+0.000}	.881 ^{+0.002} / _{+0.000}	1.125 ^{+0.002} / _{+0.000}	11.31
TP-213	15/16	1-3/16	.185	-213	.185 ^{+0.010} / _{+0.000}	.943 ^{+0.002} / _{+0.000}	1.188 ^{+0.002} / _{+0.000}	14.78
TP-214	1	1-1/4	.185	-214	.185 ^{+0.010} / _{+0.000}	1.006 ^{+0.002} / _{+0.000}	1.250 ^{+0.002} / _{+0.000}	12.87
TP-215	1-1/16	1-5/16	.185	-215	.185 ^{+0.010} / _{+0.000}	1.068 ^{+0.002} / _{+0.000}	1.313 ^{+0.002} / _{+0.000}	37.15
TP-216	1-1/8	1-3/8	.185	-216	.185 ^{+0.010} / _{+0.000}	1.131 ^{+0.002} / _{+0.000}	1.375 ^{+0.002} / _{+0.000}	11.31
TP-217	1-3/16	1-7/16	.185	-217	.185 ^{+0.010} / _{+0.000}	1.193 ^{+0.002} / _{+0.000}	1.438 ^{+0.002} / _{+0.000}	14.78
TP-218	1-1/4	1-1/2	.185	-218	.185 ^{+0.010} / _{+0.000}	1.256 ^{+0.002} / _{+0.000}	1.500 ^{+0.002} / _{+0.000}	10.06
TP-218-WB	1-1/4	1-1/2	.304	-218	.304 ^{+0.010} / _{+0.000}	1.256 ^{+0.002} / _{+0.000}	1.500 ^{+0.002} / _{+0.000}	19.04
TP-220	1-3/8	1-5/8	.185	-220	.185 ^{+0.010} / _{+0.000}	1.381 ^{+0.002} / _{+0.000}	1.625 ^{+0.002} / _{+0.000}	12.87
TP-221	1-7/16	1-11/16	.185	-221	.185 ^{+0.010} / _{+0.000}	1.442 ^{+0.002} / _{+0.000}	1.688 ^{+0.002} / _{+0.000}	10.51
TP-222	1-1/2	1-3/4	.185	-222	.185 ^{+0.010} / _{+0.000}	1.506 ^{+0.002} / _{+0.000}	1.750 ^{+0.002} / _{+0.000}	10.85
TP-222-IB	1-1/2	1-3/4	.235	-222	.235 ^{+0.010} / _{+0.000}	1.506 ^{+0.002} / _{+0.000}	1.750 ^{+0.002} / _{+0.000}	26.81
TP-325	1-1/2	1-7/8	.28	-325	.280 ^{+0.010} / _{+0.000}	1.502 ^{+0.002} / _{+0.000}	1.875 ^{+0.002} / _{+0.000}	14.78



STYLE TP PISTON T-SEALS

T-SEALS

Part Number	A Nom. ID	B Nom. OD	C Nom. Ht	O-RING DASH NUMBER	D GROOVE WIDTH	H GROOVE DIAMETER	J BORE DIAMETER	List Price
TP-326	1-5/8	2	.28	-326	.280 ^{+0.010} / _{+0.000}	1.627 ^{+0.002} / _{+0.000}	2.000 ^{+0.002} / _{+0.000}	11.35
TP-326-IB	1-5/8	2	.334	-326	.334 ^{+0.010} / _{+0.000}	1.627 ^{+0.002} / _{+0.000}	2.000 ^{+0.002} / _{+0.000}	26.81
TP-327	1-3/4	2-1/8	.28	-327	.280 ^{+0.010} / _{+0.000}	1.752 ^{+0.002} / _{+0.000}	2.125 ^{+0.002} / _{+0.000}	11.91
TP-328	1-7/8	2-1/4	.28	-328	.280 ^{+0.010} / _{+0.000}	1.877 ^{+0.002} / _{+0.000}	2.250 ^{+0.002} / _{+0.000}	12.65
TP-328-IB	1-7/8	2-1/4	.334	-328	.334 ^{+0.010} / _{+0.000}	1.877 ^{+0.002} / _{+0.000}	2.250 ^{+0.002} / _{+0.000}	103.88
TP-328-WB	1-7/8	2-1/4	.424	-328	.424 ^{+0.010} / _{+0.000}	1.877 ^{+0.002} / _{+0.000}	2.250 ^{+0.002} / _{+0.000}	30.35
TP-329	2	2-3/8	.28	-329	.280 ^{+0.010} / _{+0.000}	2.002 ^{+0.002} / _{+0.000}	2.375 ^{+0.002} / _{+0.000}	13.26
TP-330	2-1/8	2-1/2	.28	-330	.280 ^{+0.010} / _{+0.000}	2.127 ^{+0.002} / _{+0.000}	2.500 ^{+0.002} / _{+0.000}	14.03
TP-330-IB	2-1/8	2-1/2	.334	-330	.334 ^{+0.010} / _{+0.000}	2.127 ^{+0.002} / _{+0.000}	2.500 ^{+0.002} / _{+0.000}	29.31
TP-330-WB	2-1/8	2-1/2	.424	-330	.424 ^{+0.010} / _{+0.000}	2.127 ^{+0.002} / _{+0.000}	2.500 ^{+0.002} / _{+0.000}	32.02
TP-331	2-1/4	2-5/8	.28	-331	.280 ^{+0.010} / _{+0.000}	2.252 ^{+0.002} / _{+0.000}	2.625 ^{+0.002} / _{+0.000}	15.23
TP-332	2-3/8	2-3/4	.28	-332	.280 ^{+0.010} / _{+0.000}	2.377 ^{+0.003} / _{-.001}	2.750 ^{+0.003} / _{-.001}	15.45
TP-333	2-1/2	2-7/8	.28	-333	.280 ^{+0.010} / _{+0.000}	2.502 ^{+0.003} / _{-.001}	2.875 ^{+0.003} / _{-.001}	15.97
TP-333-WB	2-1/2	2-7/8	.424	-333	.424 ^{+0.010} / _{+0.000}	2.502 ^{+0.003} / _{-.001}	2.875 ^{+0.003} / _{-.001}	43.76
TP-334	2-5/8	3	.28	-334	.280 ^{+0.010} / _{+0.000}	2.627 ^{+0.003} / _{-.001}	3.000 ^{+0.003} / _{-.001}	16.57
TP-334-IB	2-5/8	3	.334	-334	.334 ^{+0.010} / _{+0.000}	2.627 ^{+0.003} / _{-.001}	3.000 ^{+0.003} / _{-.001}	46.88
TP-334-WB	2-5/8	3	.424	-334	.424 ^{+0.010} / _{+0.000}	2.627 ^{+0.003} / _{-.001}	3.000 ^{+0.003} / _{-.001}	49.25
TP-335	2-3/4	3-1/8	.28	-335	.280 ^{+0.010} / _{+0.000}	2.752 ^{+0.003} / _{-.001}	3.125 ^{+0.003} / _{-.001}	17.30
TP-336	2-7/8	3-1/4	.28	-336	.280 ^{+0.010} / _{+0.000}	2.877 ^{+0.003} / _{-.001}	3.250 ^{+0.003} / _{-.001}	19.27
TP-338	3-1/8	3-1/2	.28	-338	.280 ^{+0.010} / _{+0.000}	3.128 ^{+0.003} / _{-.001}	3.500 ^{+0.004} / _{+0.000}	21.08
TP-338-IB	3-1/8	3-1/2	.334	-338	.334 ^{+0.010} / _{+0.000}	3.128 ^{+0.003} / _{-.001}	3.500 ^{+0.004} / _{+0.000}	48.85
TP-338-WB	3-1/8	3-1/2	.424	-338	.424 ^{+0.010} / _{+0.000}	3.128 ^{+0.003} / _{-.001}	3.500 ^{+0.004} / _{+0.000}	53.26
TP-339	3-1/4	3-5/8	.28	-339	.280 ^{+0.010} / _{+0.000}	3.253 ^{+0.003} / _{-.001}	3.625 ^{+0.004} / _{+0.000}	22.96
TP-340	3-3/8	3-3/4	.28	-340	.280 ^{+0.010} / _{+0.000}	3.378 ^{+0.003} / _{-.001}	3.750 ^{+0.004} / _{+0.000}	23.89
TP-341	3-1/2	3-7/8	.28	-341	.280 ^{+0.010} / _{+0.000}	3.503 ^{+0.003} / _{-.001}	3.875 ^{+0.004} / _{+0.000}	30.88
TP-342	3-5/8	4	.28	-342	.280 ^{+0.010} / _{+0.000}	3.628 ^{+0.003} / _{-.001}	4.000 ^{+0.004} / _{+0.000}	26.59
TP-342-WB	3-5/8	4	.424	-342	.424 ^{+0.010} / _{+0.000}	3.628 ^{+0.003} / _{-.001}	4.000 ^{+0.004} / _{+0.000}	62.84
TP-343	3-3/4	4-1/8	.28	-343	.280 ^{+0.010} / _{+0.000}	3.753 ^{+0.003} / _{-.001}	4.125 ^{+0.004} / _{+0.000}	43.13
TP-344	3-7/8	4-1/4	.28	-344	.280 ^{+0.010} / _{+0.000}	3.878 ^{+0.003} / _{-.001}	4.250 ^{+0.004} / _{+0.000}	30.61
TP-041-WB	3-7/8	4-1/4	.424	-344	.424 ^{+0.010} / _{+0.000}	3.878 ^{+0.003} / _{-.001}	4.250 ^{+0.004} / _{+0.000}	81.40
TP-345	4	4-3/8	.28	-345	.280 ^{+0.010} / _{+0.000}	4.003 ^{+0.003} / _{-.001}	4.375 ^{+0.004} / _{+0.000}	61.19
TP-346	4-1/8	4-1/2	.28	-346	.280 ^{+0.010} / _{+0.000}	4.128 ^{+0.003} / _{-.001}	4.500 ^{+0.004} / _{+0.000}	33.05
TP-346-IB	4-1/8	4-1/2	.334	-346	.334 ^{+0.010} / _{+0.000}	4.128 ^{+0.003} / _{-.001}	4.500 ^{+0.004} / _{+0.000}	93.71

STYLE TP PISTON T-SEALS



T-SEALS

Part Number	A Nom. ID	B Nom. OD	C Nom. Ht	O-RING DASH NUMBER	D GROOVE WIDTH	H GROOVE DIAMETER	J BORE DIAMETER	List Price
TP-346-WB	4-1/8	4-1/2	.424	-346	.424 ^{+0.010} / _{+0.000}	4.128 ^{+0.003} / _{-0.001}	4.500 ^{+0.004} / _{+0.000}	76.08
TP-347	4-1/4	4-5/8	.28	-347	.280 ^{+0.010} / _{+0.000}	4.253 ^{+0.003} / _{-0.001}	4.625 ^{+0.004} / _{+0.000}	41.41
TP-347-IB	4-1/4	4-5/8	.334	-347	.334 ^{+0.010} / _{+0.000}	4.253 ^{+0.003} / _{-0.001}	4.625 ^{+0.004} / _{+0.000}	89.61
TP-348	4-3/8	4-3/4	.28	-348	.280 ^{+0.010} / _{+0.000}	4.378 ^{+0.003} / _{-0.001}	4.750 ^{+0.004} / _{+0.000}	46.13
TP-349	4-1/2	4-7/8	.28	-349	.280 ^{+0.010} / _{+0.000}	4.503 ^{+0.003} / _{-0.001}	4.875 ^{+0.004} / _{+0.000}	46.40
TP-425-IB	4-1/2	5	.475	-425	.475 ^{+0.010} / _{+0.000}	4.524 ^{+0.003} / _{-0.001}	5.000 ^{+0.005} / _{+0.001}	107.16
TP-425-WB	4-1/2	5	.579	-425	.579 ^{+0.010} / _{+0.000}	4.524 ^{+0.003} / _{-0.001}	5.000 ^{+0.005} / _{+0.001}	131.72
TP-350	4-5/8	5	.28	-350	.280 ^{+0.010} / _{+0.000}	4.629 ^{+0.003} / _{-0.001}	5.000 ^{+0.005} / _{+0.001}	48.19
TP-350-WB	4-5/8	5	.424	-350	.424 ^{+0.010} / _{+0.000}	4.629 ^{+0.003} / _{-0.001}	5.000 ^{+0.005} / _{+0.001}	97.63
TP-426	4-5/8	5-1/8	.366	-426	.366 ^{+0.010} / _{+0.000}	4.649 ^{+0.003} / _{-0.001}	5.125 ^{+0.005} / _{+0.001}	57.64
TP-427	4-3/4	5-1/4	.366	-427	.366 ^{+0.010} / _{+0.000}	4.774 ^{+0.003} / _{-0.001}	5.250 ^{+0.005} / _{+0.001}	52.79
TP-427-WB	4-3/4	5-1/4	.579	-427	.579 ^{+0.010} / _{+0.000}	4.774 ^{+0.003} / _{-0.001}	5.250 ^{+0.005} / _{+0.001}	107.43
TP-428	4-7/8	5-3/8	.366	-428	.366 ^{+0.010} / _{+0.000}	4.899 ^{+0.003} / _{-0.001}	5.375 ^{+0.005} / _{+0.001}	54.77
TP-429	5	5-1/2	.366	-429	.366 ^{+0.010} / _{+0.000}	5.024 ^{+0.003} / _{-0.001}	5.500 ^{+0.005} / _{+0.001}	58.01
TP-429-IB	5	5-1/2	.475	-429	.475 ^{+0.010} / _{+0.000}	5.024 ^{+0.003} / _{-0.001}	5.500 ^{+0.005} / _{+0.001}	108.47
TP-431	5-1/4	5-3/4	.366	-431	.366 ^{+0.010} / _{+0.000}	5.274 ^{+0.003} / _{-0.001}	5.750 ^{+0.005} / _{+0.001}	70.83
TP-432	5-3/8	5-7/8	.366	-432	.366 ^{+0.010} / _{+0.000}	5.399 ^{+0.003} / _{-0.001}	5.875 ^{+0.005} / _{+0.001}	60.69
TP-433	5-1/2	6	.366	-433	.366 ^{+0.010} / _{+0.000}	5.524 ^{+0.003} / _{-0.001}	6.000 ^{+0.005} / _{+0.001}	64.00
TP-433-IB	5-1/2	6	.475	-433	.475 ^{+0.010} / _{+0.000}	5.524 ^{+0.003} / _{-0.001}	6.000 ^{+0.005} / _{+0.001}	124.20
TP-433-WB	5-1/2	6	.579	-433	.579 ^{+0.010} / _{+0.000}	5.524 ^{+0.003} / _{-0.001}	6.000 ^{+0.005} / _{+0.001}	138.12
TP-435	5-3/4	6-1/4	.366	-435	.366 ^{+0.010} / _{+0.000}	5.774 ^{+0.003} / _{-0.001}	6.250 ^{+0.005} / _{+0.001}	65.79
TP-435-IB	5-3/4	6-1/4	.475	-435	.475 ^{+0.010} / _{+0.000}	5.774 ^{+0.003} / _{-0.001}	6.250 ^{+0.005} / _{+0.001}	165.14
TP-437	6	6-1/2	.366	-437	.366 ^{+0.010} / _{+0.000}	6.024 ^{+0.004} / _{-0.002}	6.500 ^{+0.006} / _{+0.000}	65.94
TP-439	6-1/2	7	.366	-439	.366 ^{+0.010} / _{+0.000}	6.524 ^{+0.004} / _{-0.002}	7.000 ^{+0.006} / _{+0.000}	76.58
TP-439-IB	6-1/2	7	.475	-439	.475 ^{+0.010} / _{+0.000}	6.524 ^{+0.004} / _{-0.002}	7.000 ^{+0.006} / _{+0.000}	146.14
TP-439-WB	6-1/2	7	.579	-439	.579 ^{+0.010} / _{+0.000}	6.524 ^{+0.004} / _{-0.002}	7.000 ^{+0.006} / _{+0.000}	159.37
TP-440	6-3/4	7-1/4	.366	-440	.366 ^{+0.010} / _{+0.000}	6.774 ^{+0.004} / _{-0.002}	7.250 ^{+0.006} / _{+0.000}	114.79
TP-441	7	7-1/2	.366	-441	.366 ^{+0.010} / _{+0.000}	7.024 ^{+0.004} / _{-0.002}	7.500 ^{+0.006} / _{+0.000}	83.68
TP-443	7-1/2	8	.366	-443	.366 ^{+0.010} / _{+0.000}	7.524 ^{+0.004} / _{-0.002}	8.000 ^{+0.006} / _{+0.000}	97.53
TP-443-WB	7-1/2	8	.579	-443	.579 ^{+0.010} / _{+0.000}	7.524 ^{+0.004} / _{-0.002}	8.000 ^{+0.006} / _{+0.000}	168.49
TP-444-IB	7-3/4	8-1/4	.475	-444	.475 ^{+0.010} / _{+0.000}	7.774 ^{+0.004} / _{-0.002}	8.250 ^{+0.006} / _{+0.000}	181.42
TP-445	8	8-1/2	.366	-445	.366 ^{+0.010} / _{+0.000}	8.024 ^{+0.004} / _{-0.002}	8.500 ^{+0.006} / _{+0.000}	134.36
TP-446	8-1/2	9	.366	-446	.366 ^{+0.010} / _{+0.000}	8.524 ^{+0.004} / _{-0.002}	9.000 ^{+0.006} / _{+0.000}	122.96



STYLE TP PISTON T-SEALS

T-SEALS

Part Number	A Nom. ID	B Nom. OD	C Nom. Ht	O-RING DASH NUMBER	D GROOVE WIDTH	H GROOVE DIAMETER	J BORE DIAMETER	List Price
TP-446-IB	8-1/2	9	.475	-446	.475 ^{+0.010} / _{+0.000}	8.524 ^{+0.004} / _{-0.002}	9.000 ^{+0.006} / _{+0.000}	209.71
TP-447	9	9-1/2	.366	-447	.366 ^{+0.010} / _{+0.000}	9.024 ^{+0.004} / _{-0.002}	9.500 ^{+0.006} / _{+0.000}	139.32
TP-448	9-1/2	10	.366	-448	.366 ^{+0.010} / _{+0.000}	9.524 ^{+0.004} / _{-0.002}	10.000 ^{+0.006} / _{+0.000}	142.19
TP-448-IB	9-1/2	10	.475	-448	.475 ^{+0.010} / _{+0.000}	9.524 ^{+0.004} / _{-0.002}	10.000 ^{+0.006} / _{+0.000}	246.75
TP-449	10	10-1/2	.366	-449	.366 ^{+0.010} / _{+0.000}	10.024 ^{+0.004} / _{-0.002}	10.500 ^{+0.006} / _{+0.000}	168.07
TP-450	10-1/2	11	.366	-450	.366 ^{+0.010} / _{+0.000}	10.524 ^{+0.004} / _{-0.002}	11.000 ^{+0.006} / _{+0.000}	186.54
TP-450-IB	10-1/2	11	.475	-450	.475 ^{+0.010} / _{+0.000}	10.524 ^{+0.004} / _{-0.002}	11.000 ^{+0.006} / _{+0.000}	290.29
TP-451	11	11-1/2	.366	-451	.366 ^{+0.010} / _{+0.000}	11.024 ^{+0.004} / _{-0.002}	11.500 ^{+0.006} / _{+0.000}	213.26
TP-452	11-1/2	12	.366	-452	.366 ^{+0.010} / _{+0.000}	11.524 ^{+0.004} / _{-0.002}	12.000 ^{+0.006} / _{+0.000}	227.76

Seal color may vary. Special order sizes are available. Sizes not shown and out of stock items can also be ordered for next day delivery through Seals On Demand, our custom seal program. Please call your regional sales team for assistance.



**Replacement Cylinders
are In-Stock and Ready
for Next Day Delivery!**

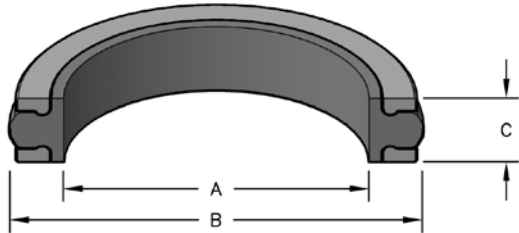
**Custom Hoists,
Parker/Commercial and SHC
Telescopic Cylinders. Hercules
Brand Tie-Rod, Bobcat and
Welded Cylinders.**

**Call for a Quote or Place
Your Order Online -
www.HerculesUS.com**

STYLE TP-L LOCKING PISTON T-SEALS

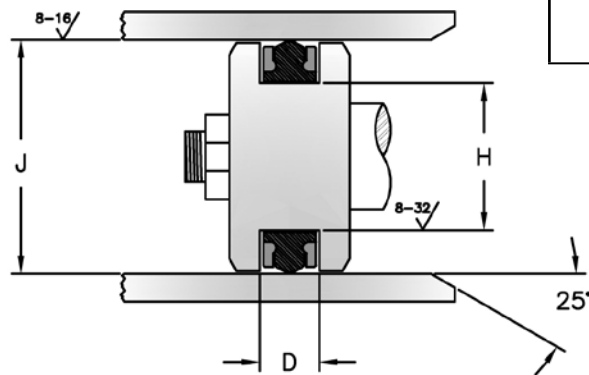


The Style TP-L seal is a zero drift piston seal for bi-directional pressure applications. The locking anti-extrusion rings provide for an easier installation. It is designed to retrofit O-Ring and standard T-seal grooves. The 70 Shore A NBR is designed specifically for performance in compression type dynamic seals. Other features include a net molded dynamic sealing surface and backup chamfers.



HERCULES PART NUMBERS

TP - 009-L
Prefix Size



SEAL INFORMATION	
MATERIAL	BUNA-N RUBBER SEAL HARD PLASTIC BACK-UPS
TEMPERATURE RANGE	-35° TO +220° F
PRESSURE RANGE	0 TO 5,000 PSI
SPEED	3 FT/SEC

Part Number	A Nom. ID	B Nom. OD	C Nom. Ht	O-RING DASH NUMBER	D GROOVE WIDTH	H GROOVE DIAMETER	J BORE DIAMETER	List Price
TP-208-L	5/8	7/8	.185	-208	.185 ⁺⁰¹⁰ / ₊₀₀₀	.630 ⁺⁰⁰² / ₊₀₀₀	.875 ±.001	\$ 15.50
TP-210-L	3/4	1	.185	-210	.185 ⁺⁰¹⁰ / ₊₀₀₀	.756 ⁺⁰⁰² / ₊₀₀₀	1.000 ⁺⁰⁰² / ₊₀₀₀	13.95
TP-212-L	7/8	1-1/8	.185	-212	.185 ⁺⁰¹⁰ / ₊₀₀₀	.881 ⁺⁰⁰² / ₊₀₀₀	1.125 ⁺⁰⁰² / ₊₀₀₀	15.50
TP-214-L	1	1-1/4	.185	-214	.185 ⁺⁰¹⁰ / ₊₀₀₀	1.006 ⁺⁰⁰² / ₊₀₀₀	1.250 ⁺⁰⁰² / ₊₀₀₀	15.50
TP-216-L	1-1/8	1-3/8	.185	-216	.185 ⁺⁰¹⁰ / ₊₀₀₀	1.131 ⁺⁰⁰² / ₊₀₀₀	1.375 ⁺⁰⁰² / ₊₀₀₀	15.50
TP-218-L	1-1/4	1-1/2	.185	-218	.185 ⁺⁰¹⁰ / ₊₀₀₀	1.256 ⁺⁰⁰² / ₊₀₀₀	1.500 ⁺⁰⁰² / ₊₀₀₀	14.51
TP-220-L	1-3/8	1-5/8	.185	-220	.185 ⁺⁰¹⁰ / ₊₀₀₀	1.381 ⁺⁰⁰² / ₊₀₀₀	1.625 ⁺⁰⁰² / ₊₀₀₀	15.50
TP-222-L	1-1/2	1-3/4	.185	-222	.185 ⁺⁰¹⁰ / ₊₀₀₀	1.506 ⁺⁰⁰² / ₊₀₀₀	1.750 ⁺⁰⁰² / ₊₀₀₀	15.50
TP-325-L	1-1/2	1-7/8	.28	-325	.280 ⁺⁰¹⁰ / ₊₀₀₀	1.502 ⁺⁰⁰² / ₊₀₀₀	1.875 ⁺⁰⁰² / ₊₀₀₀	15.49
TP-326-L	1-5/8	2	.28	-326	.280 ⁺⁰¹⁰ / ₊₀₀₀	1.627 ⁺⁰⁰² / ₊₀₀₀	2.000 ⁺⁰⁰² / ₊₀₀₀	18.14
TP-327-L	1-3/4	2-1/8	.28	-327	.280 ⁺⁰¹⁰ / ₊₀₀₀	1.752 ⁺⁰⁰² / ₊₀₀₀	2.125 ⁺⁰⁰² / ₊₀₀₀	13.66
TP-328-L	1-7/8	2-1/4	.28	-328	.280 ⁺⁰¹⁰ / ₊₀₀₀	1.877 ⁺⁰⁰² / ₊₀₀₀	2.250 ⁺⁰⁰² / ₊₀₀₀	14.49
TP-329-L	2	2-3/8	.28	-329	.280 ⁺⁰¹⁰ / ₊₀₀₀	2.002 ⁺⁰⁰² / ₊₀₀₀	2.375 ⁺⁰⁰² / ₊₀₀₀	17.49
TP-330-L	2-1/8	2-1/2	.28	-330	.280 ⁺⁰¹⁰ / ₊₀₀₀	2.127 ⁺⁰⁰² / ₊₀₀₀	2.500 ⁺⁰⁰² / ₊₀₀₀	18.31
TP-331-L	2-1/4	2-5/8	.28	-331	.280 ⁺⁰¹⁰ / ₊₀₀₀	2.252 ⁺⁰⁰² / ₊₀₀₀	2.625 ⁺⁰⁰² / ₊₀₀₀	17.51
TP-332-L	2-3/8	2-3/4	.28	-332	.280 ⁺⁰¹⁰ / ₊₀₀₀	2.377 ⁺⁰⁰³ / _{-.001}	2.750 ⁺⁰⁰³ / _{-.001}	17.63

STYLE TP-L LOCKING PISTON T-SEALS

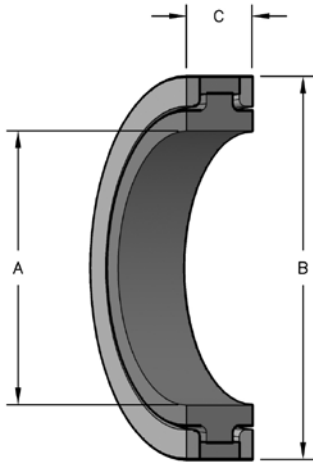
T-SEALS

Part Number	A Nom. ID	B Nom. OD	C Nom. Ht	O-RING DASH NUMBER	D GROOVE WIDTH	H GROOVE DIAMETER	J BORE DIAMETER	List Price
TP-333-L	2-1/2	2-7/8	.28	-333	.280 ⁺⁰¹⁰ / ₊₀₀₀	2.502 ⁺⁰⁰³ / _{-.001}	2.875 ⁺⁰⁰³ / _{-.001}	18.33
TP-334-L	2-5/8	3	.28	-334	.280 ⁺⁰¹⁰ / ₊₀₀₀	2.627 ⁺⁰⁰³ / _{-.001}	3.000 ⁺⁰⁰³ / _{-.001}	20.30
TP-335-L	2-3/4	3-1/8	.28	-335	.280 ⁺⁰¹⁰ / ₊₀₀₀	2.752 ⁺⁰⁰³ / _{-.001}	3.125 ⁺⁰⁰³ / _{-.001}	19.83
TP-336-L	2-7/8	3-1/4	.28	-336	.280 ⁺⁰¹⁰ / ₊₀₀₀	2.877 ⁺⁰⁰³ / _{-.001}	3.250 ⁺⁰⁰³ / _{-.001}	22.04
TP-338-L	3-1/8	3-1/2	.28	-338	.280 ⁺⁰¹⁰ / ₊₀₀₀	3.128 ⁺⁰⁰³ / _{-.001}	3.500 ⁺⁰⁰⁴ / ₊₀₀₀	24.20
TP-340-L	3-3/8	3-3/4	.28	-340	.280 ⁺⁰¹⁰ / ₊₀₀₀	3.378 ⁺⁰⁰³ / _{-.001}	3.750 ⁺⁰⁰⁴ / ₊₀₀₀	27.33
TP-342-L	3-5/8	4	.28	-342	.280 ⁺⁰¹⁰ / ₊₀₀₀	3.628 ⁺⁰⁰³ / _{-.001}	4.000 ⁺⁰⁰⁴ / ₊₀₀₀	30.49
TP-344-L	3-7/8	4-1/4	.28	-344	.280 ⁺⁰¹⁰ / ₊₀₀₀	3.878 ⁺⁰⁰³ / _{-.001}	4.250 ⁺⁰⁰⁴ / ₊₀₀₀	35.06
TP-346-L	4-1/8	4-1/2	.28	-346	.280 ⁺⁰¹⁰ / ₊₀₀₀	4.128 ⁺⁰⁰³ / _{-.001}	4.500 ⁺⁰⁰⁴ / ₊₀₀₀	37.85
TP-348-L	4-3/8	4-3/4	.28	-348	.280 ⁺⁰¹⁰ / ₊₀₀₀	4.378 ⁺⁰⁰³ / _{-.001}	4.750 ⁺⁰⁰⁴ / ₊₀₀₀	52.87
TP-350-L	4-5/8	5	.28	-350	.280 ⁺⁰¹⁰ / ₊₀₀₀	4.629 ⁺⁰⁰³ / _{-.001}	5.000 ⁺⁰⁰⁵ / ₊₀₀₁	55.21
TP-427-L	4-3/4	5-1/4	.366	-427	.366 ⁺⁰¹⁰ / ₊₀₀₀	4.774 ⁺⁰⁰³ / _{-.001}	5.250 ⁺⁰⁰⁵ / ₊₀₀₁	60.50
TP-429-L	5	5-1/2	.366	-429	.366 ⁺⁰¹⁰ / ₊₀₀₀	5.024 ⁺⁰⁰³ / _{-.001}	5.500 ⁺⁰⁰⁵ / ₊₀₀₁	66.48
TP-431-L	5-1/4	5-3/4	.366	-431	.366 ⁺⁰¹⁰ / ₊₀₀₀	5.274 ⁺⁰⁰³ / _{-.001}	5.750 ⁺⁰⁰⁵ / ₊₀₀₁	67.95
TP-433-L	5-1/2	6	.366	-433	.366 ⁺⁰¹⁰ / ₊₀₀₀	5.524 ⁺⁰⁰³ / _{-.001}	6.000 ⁺⁰⁰⁵ / ₊₀₀₁	73.34
TP-437-L	6	6-1/2	.366	-437	.366 ⁺⁰¹⁰ / ₊₀₀₀	6.024 ⁺⁰⁰⁴ / _{-.002}	6.500 ⁺⁰⁰⁶ / ₊₀₀₀	78.56
TP-443-WB-L	7-1/2	8	.579	-443	.579 ⁺⁰¹⁰ / ₊₀₀₀	7.524 ⁺⁰⁰⁴ / _{-.002}	8.000 ⁺⁰⁰⁶ / ₊₀₀₀	167.89

STYLE CPS CAPPED PISTON T-SEALS



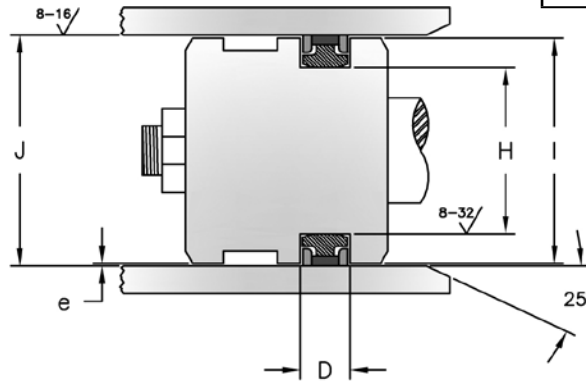
A heavy duty double-acting assembly, the capped piston T-seal exhibits excellent sealability, extrusion resistance, and wearability. T-seals with "BR" suffix utilize a Bronze Filled PTFE cap instead of the standard Glass Filled PTFE cap.



HERCULES PART NUMBERS

CPS - 1750BR

Prefix Bore Size



SEAL INFORMATION

MATERIAL	PTFE CAP NYLON BACK-UP RUBBER ENER- GIZER
TEMPERATURE RANGE	-40° TO +220° F
PRESSURE RANGE	0 TO 6,000 psi
SPEED	4.5 FT/SEC

T-SEALS

Part Number	A Nom. ID	B Nom. OD	C Nom. Ht	D GROOVE WIDTH	H GROOVE DIAMETER	I PISTON DIAMETER	I PISTON DIAMETER W/WR	J BORE DIAMETER	List Price
CPS-1500BR	1.126	1-1/2	.424	.424 ^{+0.010} / _{+0.000}	1.126 ^{+0.000} / _{-.002}	1.499 ^{+0.000} / _{-.006}	1.499 ^{+0.000} / _{-.024}	1.500 ^{+0.002} / _{+0.000}	\$77.40
CPS-1750BR	1.376	1-3/4	.424	.424 ^{+0.010} / _{+0.000}	1.376 ^{+0.000} / _{-.002}	1.749 ^{+0.000} / _{-.006}	1.749 ^{+0.000} / _{-.024}	1.750 ^{+0.002} / _{+0.000}	82.94
CPS-2000	1.626	2	.424	.424 ^{+0.010} / _{+0.000}	1.626 ^{+0.000} / _{-.002}	1.999 ^{+0.000} / _{-.006}	1.999 ^{+0.000} / _{-.024}	2.000 ^{+0.002} / _{+0.000}	88.97
CPS-2500	2.126	2-1/2	.424	.424 ^{+0.010} / _{+0.000}	2.126 ^{+0.000} / _{-.002}	2.499 ^{+0.000} / _{-.006}	2.499 ^{+0.000} / _{-.024}	2.500 ^{+0.002} / _{+0.000}	92.87
CPS-3250B	3-1/4	2.692	.42	.420 ^{+0.010} / _{+0.000}	2.692 ^{+0.000} / _{-.004}	3.249 ^{+0.000} / _{-.006}	3.249 ^{+0.000} / _{-.029}	3.250 ^{+0.003} / _{+0.000}	105.34
CPS-2750BR	2.376	2-3/4	.424	.424 ^{+0.010} / _{+0.000}	2.376 ^{+0.000} / _{-.002}	2.749 ^{+0.000} / _{-.006}	2.749 ^{+0.000} / _{-.024}	2.750 ^{+0.002} / _{+0.000}	125.55
CPS-3000A	2.442	3	.42	.420 ^{+0.010} / _{+0.000}	2.442 ^{+0.000} / _{-.002}	2.999 ^{+0.000} / _{-.006}	2.999 ^{+0.000} / _{-.029}	3.000 ^{+0.003} / _{+0.000}	64.06
CPS-3000	2.52	3	.579	.579 ^{+0.010} / _{+0.000}	2.520 ^{+0.000} / _{-.003}	2.999 ^{+0.000} / _{-.006}	2.999 ^{+0.000} / _{-.029}	3.000 ^{+0.003} / _{+0.000}	119.87
CPS-3000BR	2.52	3	.579	.579 ^{+0.010} / _{+0.000}	2.520 ^{+0.000} / _{-.003}	2.999 ^{+0.000} / _{-.006}	2.999 ^{+0.000} / _{-.029}	3.000 ^{+0.003} / _{+0.000}	130.14
CPS-3250	2.77	3-1/4	.579	.579 ^{+0.010} / _{+0.000}	2.770 ^{+0.000} / _{-.003}	3.249 ^{+0.000} / _{-.006}	3.249 ^{+0.000} / _{-.029}	3.250 ^{+0.003} / _{+0.000}	123.81
CPS-3500A	2-15/16	3-1/2	.4	.433 ^{+0.010} / _{+0.000}	2.937 ^{+0.000} / _{±0.003}	3.499 ^{+0.000} / _{-.006}	3.499 ^{+0.000} / _{-.029}	3.500 ^{+0.003} / _{+0.000}	145.27
CPS-3500	3.02	3-1/2	.579	.579 ^{+0.010} / _{+0.000}	3.020 ^{+0.000} / _{-.003}	3.499 ^{+0.000} / _{-.006}	3.499 ^{+0.000} / _{-.029}	3.500 ^{+0.003} / _{+0.000}	124.65
CPS-3500BR	3.02	3-1/2	.579	.579 ^{+0.010} / _{+0.000}	3.020 ^{+0.000} / _{-.003}	3.499 ^{+0.000} / _{-.006}	3.499 ^{+0.000} / _{-.029}	3.500 ^{+0.003} / _{+0.000}	135.40
CPS-3750	3.27	3-3/4	.579	.579 ^{+0.010} / _{+0.000}	3.270 ^{+0.000} / _{-.003}	3.749 ^{+0.000} / _{-.006}	3.749 ^{+0.000} / _{-.029}	3.750 ^{+0.003} / _{+0.000}	126.19

STYLE CPS CAPPED PISTON T-SEALS

T-SEALS

Part Number	A Nom. ID	B Nom. OD	C Nom. Ht	D GROOVE WIDTH	H GROOVE DIAMETER	I PISTON DIAMETER	I PISTON DIAMETER W/W/R	J BORE DIAMETER	List Price
CPS-4001	3.384	4	.271	.288 ^{+0.005} / _{+0.000}	3.384 ^{+0.000} / _{-0.003}	3.999 ^{+0.000} / _{-0.002}	3.999 ^{+0.000} / _{-0.029}	4.000 ^{+0.002} / _{+0.000}	114.99
CPS-4000-288	3.384	4	.288	.288 ^{+0.010} / _{+0.000}	3.384 ^{+0.000} / _{-0.002}	3.999 ^{+0.000} / _{-0.006}	3.999 ^{+0.000} / _{-0.029}	4.000 ^{+0.003} / _{+0.000}	98.16
CPS-4000	3.52	4	.579	.579 ^{+0.010} / _{+0.000}	3.520 ^{+0.000} / _{-0.003}	3.999 ^{+0.000} / _{-0.006}	3.999 ^{+0.000} / _{-0.029}	4.000 ^{+0.003} / _{+0.000}	129.87
CPS-4000BR	3.52	4	.579	.579 ^{+0.010} / _{+0.000}	3.520 ^{+0.000} / _{-0.003}	3.999 ^{+0.000} / _{-0.006}	3.999 ^{+0.000} / _{-0.029}	4.000 ^{+0.003} / _{+0.000}	142.08
CPS-4250	3.77	4-1/4	.579	.579 ^{+0.010} / _{+0.000}	3.770 ^{+0.000} / _{-0.003}	4.249 ^{+0.000} / _{-0.006}	4.249 ^{+0.000} / _{-0.029}	4.250 ^{+0.003} / _{+0.000}	135.71
CPS-4500A	3.942	4-1/2	.42	.420 ^{+0.010} / _{+0.000}	3.942 ^{+0.000} / _{-0.002}	4.499 ^{+0.000} / _{-0.007}	4.499 ^{+0.000} / _{-0.029}	4.500 ^{+0.003} / _{+0.000}	90.28
CPS-4500	4.02	4-1/2	.579	.579 ^{+0.010} / _{+0.000}	4.020 ^{+0.000} / _{-0.003}	4.499 ^{+0.000} / _{-0.007}	4.499 ^{+0.000} / _{-0.029}	4.500 ^{+0.003} / _{+0.000}	138.67
CPS-4500BR	4.02	4-1/2	.579	.579 ^{+0.010} / _{+0.000}	4.020 ^{+0.000} / _{-0.003}	4.499 ^{+0.000} / _{-0.007}	4.499 ^{+0.000} / _{-0.029}	4.500 ^{+0.003} / _{+0.000}	145.48
CPS-4750A	4.192	4-3/4	.42	.420 ^{+0.010} / _{+0.000}	4.192 ^{+0.000} / _{-0.002}	4.749 ^{+0.000} / _{-0.007}	4.749 ^{+0.000} / _{-0.036}	4.750 ^{+0.003} / _{+0.000}	132.83
CPS-4750	4.27	4-3/4	.579	.579 ^{+0.010} / _{+0.000}	4.270 ^{+0.002} / _{+0.000}	4.749 ^{+0.000} / _{-0.007}	4.749 ^{+0.000} / _{-0.036}	4.750 ^{+0.002} / _{+0.000}	156.53
CPS-5000	4.27	5	3/4	.750 ^{+0.010} / _{+0.000}	4.270 ^{+0.000} / _{-0.004}	4.999 ^{+0.000} / _{-0.008}	4.999 ^{+0.000} / _{-0.029}	5.000 ^{+0.004} / _{+0.000}	174.38
CPS-5000BR	4.27	5	3/4	.750 ^{+0.010} / _{+0.000}	4.270 ^{+0.000} / _{-0.004}	4.999 ^{+0.000} / _{-0.008}	4.999 ^{+0.000} / _{-0.029}	5.000 ^{+0.004} / _{+0.000}	176.08
CPS-5000A	4.316	5	.268	.268 ^{+0.010} / _{+0.000}	4.316 ^{+0.000} / _{-0.003}	4.999 ^{+0.000} / _{-0.008}	4.999 ^{+0.000} / _{-0.029}	5.000 ^{+0.003} / _{+0.000}	296.14
CPS-5000D	4.52	5	.579	.579 ^{+0.010} / _{+0.000}	4.520 ^{+0.002} / _{+0.000}	4.999 ^{+0.000} / _{-0.007}	4.999 ^{+0.000} / _{-0.036}	5.000 ^{+0.002} / _{+0.000}	134.62
CPS-5250	4.52	5-1/4	3/4	.750 ^{+0.010} / _{+0.000}	4.520 ^{+0.000} / _{-0.004}	5.249 ^{+0.000} / _{-0.008}	5.249 ^{+0.000} / _{-0.029}	5.250 ^{+0.004} / _{+0.000}	182.99
CPS-5250A	4.77	5-1/4	.579	.579 ^{+0.010} / _{+0.000}	4.770 ^{+0.002} / _{+0.000}	5.249 ^{+0.000} / _{-0.007}	5.249 ^{+0.000} / _{-0.036}	5.250 ^{+0.002} / _{+0.000}	179.53
CPS-5500	4.77	5-1/2	3/4	.750 ^{+0.010} / _{+0.000}	4.770 ^{+0.000} / _{-0.004}	5.499 ^{+0.000} / _{-0.008}	5.499 ^{+0.000} / _{-0.029}	5.500 ^{+0.004} / _{+0.000}	194.56
CPS-5500BR	4.77	5-1/2	3/4	.750 ^{+0.010} / _{+0.000}	4.770 ^{+0.000} / _{-0.004}	5.499 ^{+0.000} / _{-0.008}	5.499 ^{+0.000} / _{-0.029}	5.500 ^{+0.004} / _{+0.000}	206.82
CPS-5500A	4.942	5-1/2	.42	.420 ^{+0.010} / _{+0.000}	4.942 ^{+0.000} / _{-0.004}	5.499 ^{+0.000} / _{-0.008}	5.499 ^{+0.000} / _{-0.029}	5.500 ^{+0.004} / _{+0.000}	187.65
CPS-5504	5.02	5-1/2	.579	.579 ^{+0.010} / _{+0.000}	5.020 ^{+0.002} / _{+0.000}	5.499 ^{+0.000} / _{-0.007}	5.499 ^{+0.000} / _{-0.036}	5.500 ^{+0.002} / _{+0.000}	185.94
CPS-5504BR	5.02	5-1/2	.579	.579 ^{+0.010} / _{+0.000}	5.020 ^{+0.000} / _{-0.004}	5.499 ^{+0.000} / _{-0.008}	5.499 ^{+0.000} / _{-0.029}	5.500 ^{+0.004} / _{+0.000}	188.89
CPS-5750	5.024	5-3/4	3/4	.750 ^{+0.010} / _{+0.000}	5.024 ^{+0.000} / _{-0.004}	5.749 ^{+0.000} / _{-0.008}	5.749 ^{+0.000} / _{-0.029}	5.750 ^{+0.004} / _{+0.000}	184.92
CPS-6000	5.27	6	3/4	.750 ^{+0.010} / _{+0.000}	5.270 ^{+0.000} / _{-0.004}	5.999 ^{+0.000} / _{-0.008}	5.999 ^{+0.000} / _{-0.029}	6.000 ^{+0.004} / _{+0.000}	199.99
CPS-6000A	5.52	6	.579	.579 ^{+0.010} / _{+0.000}	5.520 ^{+0.000} / _{-0.003}	5.999 ^{+0.000} / _{-0.008}	5.999 ^{+0.000} / _{-0.029}	6.000 ^{+0.003} / _{+0.000}	229.91
CPS-6015	5.285	6.015	3/4	.750 ^{+0.010} / _{+0.000}	5.285 ^{+0.000} / _{-0.004}	6.014 ^{+0.000} / _{-0.008}	6.014 ^{+0.000} / _{-0.029}	6.015 ^{+0.004} / _{+0.000}	285.07
CPS-6250	5.52	6-1/4	3/4	.750 ^{+0.010} / _{+0.000}	5.520 ^{+0.000} / _{-0.004}	6.249 ^{+0.000} / _{-0.008}	6.249 ^{+0.000} / _{-0.029}	6.250 ^{+0.004} / _{+0.000}	203.97
CPS-6250BR	5.52	6-1/4	3/4	.750 ^{+0.010} / _{+0.000}	5.520 ^{+0.000} / _{-0.004}	6.249 ^{+0.000} / _{-0.008}	6.249 ^{+0.000} / _{-0.029}	6.250 ^{+0.004} / _{+0.000}	211.30
CPS-6500	5.77	6-1/2	3/4	.750 ^{+0.010} / _{+0.000}	5.770 ^{+0.000} / _{-0.004}	6.499 ^{+0.000} / _{-0.008}	6.499 ^{+0.000} / _{-0.029}	6.500 ^{+0.004} / _{+0.000}	202.56
CPS-6504	6.02	6-1/2	.579	.579 ^{+0.010} / _{+0.000}	6.020 ^{+0.000} / _{-0.004}	6.499 ^{+0.000} / _{-0.008}	6.499 ^{+0.000} / _{-0.029}	6.500 ^{+0.004} / _{+0.000}	216.59
CPS-6504BR	6.02	6-1/2	.579	.579 ^{+0.010} / _{+0.000}	6.020 ^{+0.000} / _{-0.004}	6.499 ^{+0.000} / _{-0.008}	6.499 ^{+0.000} / _{-0.029}	6.500 ^{+0.004} / _{+0.000}	230.64
CPS-7000	6.27	7	3/4	.750 ^{+0.010} / _{+0.000}	6.270 ^{+0.000} / _{-0.004}	6.999 ^{+0.000} / _{-0.008}	6.999 ^{+0.000} / _{-0.029}	7.000 ^{+0.004} / _{+0.000}	259.99
CPS-7000BR	6.27	7	3/4	.750 ^{+0.010} / _{+0.000}	6.270 ^{+0.000} / _{-0.004}	6.999 ^{+0.000} / _{-0.008}	6.999 ^{+0.000} / _{-0.029}	7.000 ^{+0.004} / _{+0.000}	263.96
CPS-7250BR	6.52	7-1/4	3/4	.750 ^{+0.010} / _{+0.000}	6.520 ^{+0.000} / _{-0.004}	7.249 ^{+0.000} / _{-0.008}	7.249 ^{+0.000} / _{-0.029}	7.250 ^{+0.004} / _{+0.000}	271.89

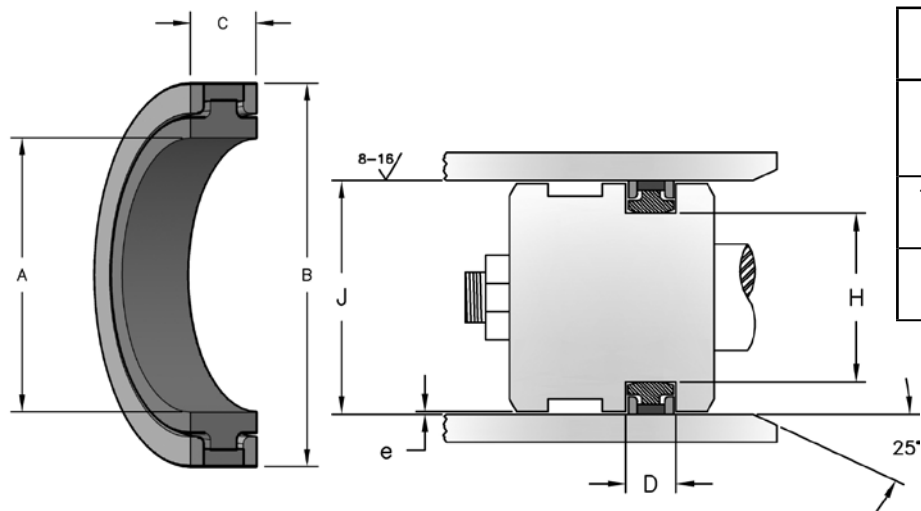
STYLE CPS CAPPED PISTON T-SEALS



Part Number	A Nom. ID	B Nom. OD	C Nom. Ht	D GROOVE WIDTH	H GROOVE DIAMETER	I PISTON DIAMETER	I PISTON DIAMETER W/WR	J BORE DIAMETER	List Price
CPS-7500	6.77	7-1/2	3/4	.750 +0.010 +0.000	6.770 +0.000 -0.004	7.499 +0.000 -0.008	7.499 +0.000 -0.029	7.500 +0.004 +0.000	233.33
CPS-8000	7.27	8	3/4	.750 +0.010 +0.000	7.270 +0.000 -0.004	7.999 +0.000 -0.008	7.999 +0.000 -0.029	8.000 +0.004 +0.000	295.70
CPS-8000BR	7.274	8	3/4	.750 +0.010 +0.000	7.274 +0.000 -0.004	7.999 +0.000 -0.008	7.999 +0.000 -0.029	8.000 +0.0045 +0.0000	306.44
CPS-8500	7.77	8-1/2	3/4	.750 +0.010 +0.000	7.770 +0.000 -0.004	8.499 +0.000 -0.008	8.499 +0.000 -0.029	8.500 +0.004 +0.000	304.82
CPS-8500BR	7.774	8-1/2	3/4	.750 +0.010 +0.000	7.774 +0.000 -0.004	8.499 +0.000 -0.008	8.499 +0.000 -0.029	8.500 +0.0045 +0.0000	309.34
CPS-9000	8.27	9	3/4	.750 +0.010 +0.000	8.270 +0.000 -0.004	8.999 +0.000 -0.008	8.999 +0.000 -0.029	9.000 +0.004 +0.000	323.08
CPS-10000	9.27	10	3/4	.750 +0.010 +0.000	9.270 +0.000 -0.004	9.999 +0.000 -0.008	9.999 +0.000 -0.029	10.000 +0.004 +0.000	340.75
CPS-10000BR	9.275	10	3/4	.750 +0.010 +0.000	9.275 +0.000 -0.004	9.999 +0.000 -0.008	9.999 +0.000 -0.029	10.000 +0.0051 +0.0000	357.41
CPS-11000BR	10.275	11	3/4	.750 +0.010 +0.000	10.275 +0.000 -0.004	10.999 +0.000 -0.008	10.999 +0.000 -0.029	11.000 +0.0051 +0.0000	357.64
CPS-12000BR	11.275	12	3/4	.750 +0.010 +0.000	11.275 +0.000 -0.004	11.999 +0.000 -0.008	11.999 +0.000 -0.029	12.000 +0.005 +0.000	417.25
CPS-13000BR	12.275	13	3/4	.750 +0.010 +0.000	12.275 +0.000 -0.004	12.999 +0.000 -0.008	12.999 +0.000 -0.029	13.000 +0.005 +0.000	494.74
CPS-14000BR	13.275	14	3/4	.750 +0.010 +0.000	13.275 +0.000 -0.004	13.999 +0.000 -0.008	13.999 +0.000 -0.029	14.000 +0.005 +0.000	526.95
CPS-15000BR	14.275	15	3/4	.750 +0.010 +0.000	14.275 +0.000 -0.004	14.999 +0.000 -0.008	14.999 +0.000 -0.029	15.000 +0.0055 +0.0000	598.47
CPS-16000BR	15.275	16	3/4	.750 +0.010 +0.000	15.275 +0.000 -0.004	15.999 +0.000 -0.008	15.999 +0.000 -0.029	16.000 +0.0061 +0.0000	446.85

T-SEALS

REPLACEMENT CAPPED PISTON T-SEALS FOR CATERPILLAR EQUIPMENT*



SEAL INFORMATION

MATERIAL	PTFE CAP NYLON BACK-UP RUBBER ENERGIZER
TEMPERATURE RANGE	-40° TO +220° F
PRESSURE RANGE	0 TO 6,000 PSI

Part Number	A Nom. ID	B Nom. OD	C Nom. Ht	D GROOVE WIDTH	H GROOVE DIAMETER	J BORE DIAMETER	List Price
CTC-8J3747	3.825	4-1/2	1/2	.500 ±.002	3.840 ±.003	4.500	\$161.74
CTC-9J7868	4-1/4	5	5/8	.630 ±.002	4.230 ±.003	5.000	197.64
CTC-8J8767	4-11/16	5-1/2	5/8	.630 ±.002	4.730 ±.003	5.500	221.76
CTC-9J1242	5-1/16	6	5/8	.630 ±.002	5.090 ±.003	6.000	231.72
CTC-9J5558	5-5/16	6-1/4	5/8	.630 ±.002	5.340 ±.003	6.250	236.66
CTC-8J8703	5.5925	6-1/2	5/8	.630 ±.002	5.590 ±.003	6.500	261.13
CTC-8J3749	6-1/16	7	5/8	.630 ±.002	6.090 ±.003	7.000	269.26
CTC-8J4510	6-3/8	7-1/4	5/8	.630 ±.002	6.340 ±.003	7.250	278.00
CTC-9J5567	6-9/16	7-1/2	5/8	.630 ±.002	6.590 ±.003	7.500	281.91
CTC-8J5644	6-13/16	7-3/4	5/8	.630 ±.002	6.840 ±.003	7.750	293.70
CTC-8J4390	7-1/4	8-1/4	5/8	.630 ±.002	7.260 ±.003	8.250	313.31
CTC-3G4762	7-1/2	8-1/2	5/8	.630 ±.002	7.510 ±.003	8.500	387.85
CTC-9J3406	8-7/8	10	11/16	.690 ±.002	8.880 ±.003	10.000	389.89
CTC-3G4765	9-3/8	10-1/2	11/16	.690 ±.002	9.380 ±.003	10.500	421.10
CTC-9J2987	10-3/8	11-1/2	11/16	.690 ±.002	10.380 ±.003	11.500	479.31

INSTALLATION OF PTFE PISTON SEALS

Installing PTFE piston seals is not always an easy task. The use of installation tools is recommended but often not convenient when working with a wide variety of sizes and applications. Finger installations are practical with rings of smaller cross-sections. Using fingers or a rounded plastic stick, knead the ring over the piston into the groove. With rings of larger cross-sections it may be necessary to heat the ring. Warming the ring in water or oil at 130° F or 140° F for about 5 minutes will soften the material for easier installation. Always avoid inconsistent stretching or overstretching of the PTFE seal.

To prevent the PTFE ring from snapping into the wrong groove, cover wear ring grooves with plastic tape.

After seal installation, assembly of the cylinder may be difficult if the piston seal is loose on the piston or the cylinder has an inadequate leading edge chamfer. In such cases, compress the piston seal with belting or a suitable hose clamp. If the piston seal must pass threads or any other sharp edges during the cylinder assembly, cover the edges with plastic tape or wrap.

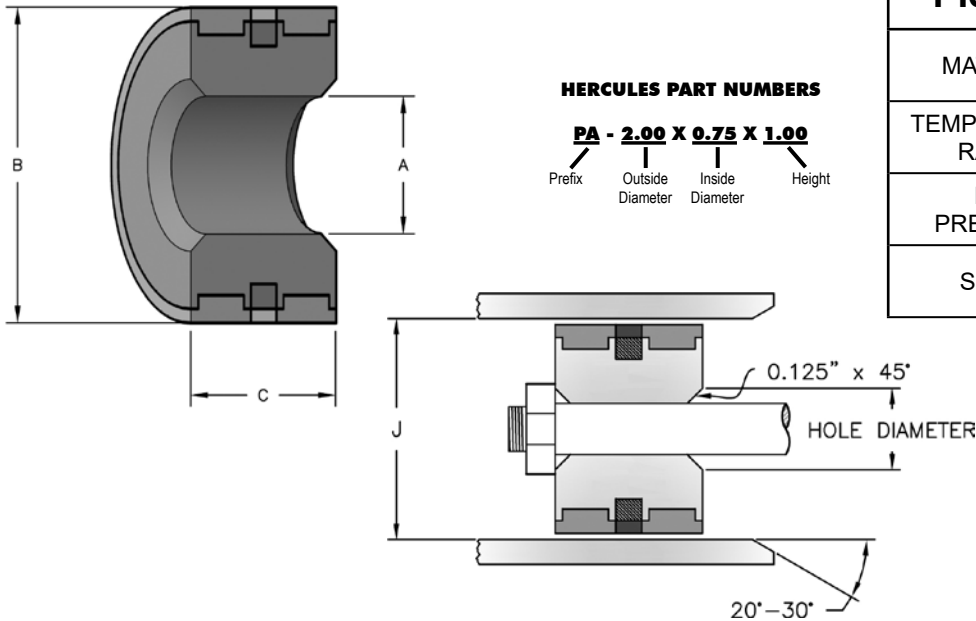
NOTE: Caterpillar® part numbers are used as a reference only. We do not imply that these parts are original equipment parts.

Seal color may vary. Special order sizes are available. Sizes not shown and out of stock items can also be ordered for next day delivery through Seals On Demand, our custom seal program. Please call your regional sales team for assistance.

STYLE PA UNITIZED PISTONS



The PA Unitized Pistons are designed to handle a broad range of application parameters. The piston body is machined to exact dimensions and is constructed using four components: A high strength steel body, a non-metallic bearing, a rubber loading ring and a filled PTFE seal ring. The non-metallic bearing is molded to the piston using a special proprietary process.



PISTON INFORMATION	
MATERIAL	STEEL, NYLON, NBR, PTFE
TEMPERATURE RANGE	-40° TO +230° F
MAX PRESSURE	5,000 PSI
SPEED	3 FT/SEC

UNITIZED PISTONS

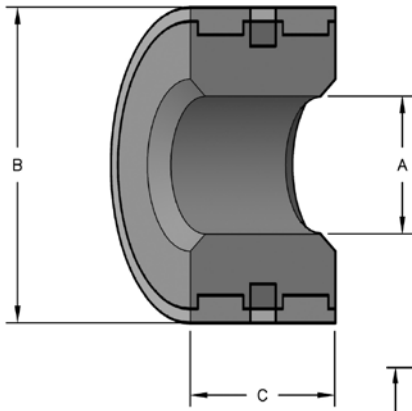
Part Number	A Nom. ID	B Nom. OD	C Nom. Ht	C WIDTH	J BORE DIAMETER	H HOLE SIZE	List Price
PA-2.00X0.75X1.00	3/4	2	1	1.000 ^{+0.00} _{-0.005}	2.000 ^{+0.003} _{+0.000}	.752 ^{+0.003} _{+0.000}	\$ 159.45
PA-2.25X1.00X1.00	1	2-1/4	1	1.000 ^{+0.005} _{+0.000}	2.250 ^{+0.003} _{+0.000}	1.001 ^{+0.002} _{+0.000}	164.29
PA-2.50X1.00X1.00	1	2-1/2	1	1.000 ^{+0.002} _{+0.000}	2.500 ^{+0.003} _{+0.000}	1.000 ^{+0.002} _{+0.000}	252.37
PA-3.00X1.00X1.00-ORG	1	3	1	1.000 ±0.010	3.000 ^{+0.025} _{+0.000}	1.000 ^{+0.003} _{+0.001}	179.33
PA-3.00X1.00X1.50	1	3	1-1/2	1.500 ^{+0.000} _{-0.005}	3.000 ^{+0.003} _{+0.000}	1.001 ^{+0.002} _{+0.000}	178.30
PA-3.00X1.06X1.00-ORG	1-1/16	3	1	1.000 ±0.010	3.000 ^{+0.003} _{+0.000}	1.063 ^{+0.002} _{+0.000}	179.33
PA-3.50X1.00X1.50	1	3-1/2	1-1/2	1.500 ^{+0.002} _{+0.000}	3.500 ^{+0.004} _{+0.000}	1.000 ^{+0.002} _{+0.000}	323.06
PA-4.00X1.25X1.50	1-1/4	4	1-1/2	1.500 ^{+0.002} _{+0.000}	4.000 ^{+0.004} _{+0.000}	1.250 ^{+0.002} _{+0.000}	343.19

Note: ORG contains an internal o-ring groove



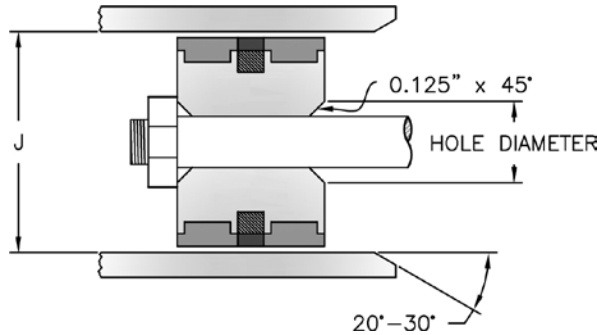
UNITIZED PISTONS FOR BOBCAT

The Bobcat Unitized Pistons are designed to handle a broad range of application parameters. The piston body is machined to exact dimensions and is constructed using four components: a high strength steel body, a non-metallic bearing, a rubber loading ring, and a filled PTFE seal ring. The non-metallic bearing is molded to the piston using a special proprietary process.



HERCULES PART NUMBERS

BCK - 6665013
 Prefix OEM Number



PISTON INFORMATION	
MATERIAL	STEEL, NYLON, NBR, PTFE
TEMPERATURE RANGE	-40° TO +230° F
PRESSURE RANGE	0 TO 5,000 PSI
SPEED	3 FT/SEC

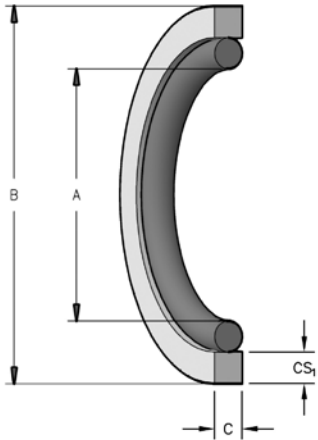
UNITIZED PISTONS

Part Number	A Nom. ID	B Nom. OD	C Nom. Ht	C WIDTH	J BORE DIAMETER	H HOLE SIZE	List Price
BCK-6669993	1-1/8	3	1	1.000 ^{+0.00} / _{-0.05}	3.000 ^{+0.03} / _{+0.00}	1.126 ^{+0.02} / _{+0.00}	\$205.36
BCK-6665013	3/4	2	1	1.000 ^{+0.00} / _{-0.05}	2.000 ^{+0.03} / _{+0.00}	.752 ^{+0.03} / _{+0.00}	159.45
BCK-6661694	3/4	2	1-1/4	1.250 ±0.05	2.000 ^{+0.03} / _{+0.00}	.751 ^{+0.02} / _{+0.00}	164.29
BCK-6665207	1	2-1/4	1	1.000 ^{+0.05} / _{+0.00}	2.250 ^{+0.03} / _{+0.00}	1.001 ^{+0.02} / _{+0.00}	164.29
BCK-6661820	1	2-1/4	1-1/4	1.250 ^{+0.00} / _{-0.05}	2.250 ^{+0.03} / _{+0.00}	1.001 ^{+0.02} / _{+0.00}	185.86
BCK-6667291	1	2-1/2	1	1.000 ^{+0.05} / _{+0.00}	2.500 ^{+0.03} / _{+0.00}	1.001 ^{+0.02} / _{+0.00}	175.29
BCK-6673791	1-1/8	2-1/2	1	1.000 ^{+0.05} / _{+0.00}	2.500 ^{+0.03} / _{+0.00}	1.126 ^{+0.02} / _{+0.00}	164.29
BCK-6678931	1-1/8	2-1/2	1	1.000 ^{+0.05} / _{+0.00}	2.500 ^{+0.03} / _{+0.00}	1.126 ^{+0.02} / _{+0.00}	152.68
BCK-6697792	1-1/4	2-1/2	1	1.000 ^{+0.05} / _{+0.00}	2.500 ^{+0.03} / _{+0.00}	1.253 ^{+0.00} / _{-.002}	184.76
BCK-6666286	1-1/8	2-3/4	1	1.000 ^{+0.05} / _{+0.00}	2.750 ^{+0.03} / _{+0.00}	1.126 ^{+0.02} / _{+0.00}	197.13
BCK-7249242	1-1/4	3-1/4	2.06	2.060 ±0.05	3.250 ^{+0.03} / _{+0.00}	1.253 ^{+0.00} / _{-.003}	237.07

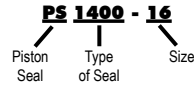
STYLE PS1400 GLASS FILLED PTFE PISTON SEALS



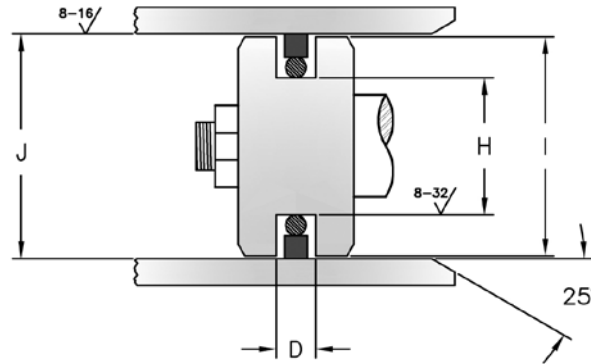
The PS1400 seals offer low friction and high strength in a compact double-acting piston seal design. The PTFE seal ring, combined with a rubber energizer, assures positive contact with the dynamic surface. The PS1400 is designed to fit ANSI/B93.32-1973 groove standards. Piston diameter "I" dimensions are given for pistons without wear rings.



HERCULES PART NUMBERS



SEAL INFORMATION	
MATERIAL	15% GLASS FILLED PTFE SEAL RUBBER ENERGIZER
TEMPERATURE RANGE	-40° TO +220° F
PRESSURE RANGE	0 TO 5,000 PSI
SPEED	12 FT/SEC



Part Number	A Nom. ID	B Nom. OD	C Nom. Ht	C WIDTH	D GROOVE WIDTH	H GROOVE DIAMETER	I PISTON DIAMETER	J BORE DIAMETER	CS ₁ RING CROSS SECTION	List Price
PS1400-16	.74	1	.07	.070 ±.005	.083 ±.002	.740 ±.002	.997 ±.001	1.000 ^{+.002} _{+.000}	.070 ±.005	\$5.66
PS1400-18	.865	1-1/8	.07	.070 ±.005	.083 ±.002	.865 ±.002	1.122 ±.001	1.125 ^{+.002} _{+.000}	.070 ±.005	7.55
PS1400-20	.99	1-1/4	.07	.070 ±.005	.083 ±.002	.990 ±.002	1.247 ±.001	1.250 ^{+.002} _{+.000}	.070 ±.005	6.23
PS1400-22	1.115	1-3/8	.07	.070 ±.005	.083 ±.002	1.115 ±.002	1.372 ±.001	1.375 ^{+.002} _{+.000}	.070 ±.005	10.52
PS1400-24	1.24	1-1/2	.07	.070 ±.005	.083 ±.002	1.240 ±.002	1.497 ±.001	1.500 ^{+.002} _{+.000}	.070 ±.005	6.49
PS1400-26	1.233	1-5/8	.109	.109 ±.010	.122 ±.002	1.233 ±.002	1.622 ±.001	1.625 ^{+.002} _{+.000}	.109 ±.010	6.61
PS1400-28	1.358	1-3/4	.109	.109 ±.010	.122 ±.002	1.358 ±.002	1.747 ±.001	1.750 ^{+.002} _{+.000}	.109 ±.010	6.76
PS1400-30	1.483	1-7/8	.109	.109 ±.010	.122 ±.002	1.483 ±.002	1.872 ±.001	1.875 ^{+.002} _{+.000}	.109 ±.010	13.16
PS1400-32	1.608	2	.115	.115 ±.010	.129 ±.002	1.608 ±.002	1.996 ±.001	2.000 ^{+.002} _{+.000}	.115 ±.010	7.02
PS1400-34	1.733	2-1/8	.115	.115 ±.010	.129 ±.002	1.733 ±.002	2.121 ±.001	2.125 ^{+.002} _{+.000}	.115 ±.010	13.16
PS1400-36	1.858	2-1/4	.115	.115 ±.010	.129 ±.002	1.858 ±.002	2.246 ±.001	2.250 ^{+.002} _{+.000}	.115 ±.010	7.30
PS1400-38	1.983	2-3/8	.115	.115 ±.010	.129 ±.002	1.983 ±.002	2.371 ±.001	2.375 ^{+.002} _{+.000}	.115 ±.010	7.37

PISTON SEAL ASSEMBLIES

STYLE PS1400 GLASS FILLED PTFE PISTON SEALS

PISTON SEAL ASSEMBLIES

Part Number	A Nom. ID	B Nom. OD	C Nom. Ht	C WIDTH	D GROOVE WIDTH	H GROOVE DIAMETER	I PISTON DIAMETER	J BORE DIAMETER	CS ₁ RING CROSS SECTION	List Price
PS1400-40	2.108	2-1/2	.115	.115 ±.010	.129 ±.002	2.108 ±.002	2.496 ±.001	2.500 ^{+.002} / _{+.000}	.115 ±.010	7.38
PS1400-44	2.358	2-3/4	.115	.115 ±.010	.129 ±.002	2.358 ±.002	2.746 ±.001	2.750 ^{+.002} / _{+.000}	.115 ±.010	7.45
PS1400-48	2.608	3	.115	.115 ±.010	.129 ±.002	2.608 ±.002	2.996 ±.001	3.000 ^{+.002} / _{+.000}	.115 ±.010	7.67
PS1400-50	2.733	3-1/8	.115	.115 ±.010	.129 ±.002	2.733 ±.002	3.121 ±.001	3.125 ^{+.002} / _{+.000}	.115 ±.010	27.92
PS1400-52	2.858	3-1/4	.115	.115 ±.010	.129 ±.002	2.858 ±.002	3.246 ±.001	3.250 ^{+.002} / _{+.000}	.115 ±.010	7.80
PS1400-54	2.983	3-3/8	.115	.115 ±.010	.129 ±.002	2.983 ±.002	3.371 ±.001	3.375 ^{+.002} / _{+.000}	.115 ±.010	14.41
PS1400-56	3.108	3-1/2	.115	.115 ±.010	.129 ±.002	3.108 ±.002	3.496 ±.001	3.500 ^{+.002} / _{+.000}	.115 ±.010	8.01
PS1400-58	3.233	3-5/8	.115	.115 ±.010	.129 ±.002	3.233 ±.002	3.621 ±.001	3.625 ^{+.002} / _{+.000}	.115 ±.010	14.81
PS1400-60	3.358	3-3/4	.115	.115 ±.010	.129 ±.002	3.358 ±.002	3.746 ±.001	3.750 ^{+.002} / _{+.000}	.115 ±.010	8.69
PS1400-64	3.608	4	.115	.115 ±.010	.129 ±.002	3.608 ±.002	3.996 ±.001	4.000 ^{+.002} / _{+.000}	.115 ±.010	8.84
PS1400-68	3.858	4-1/4	.115	.115 ±.010	.129 ±.002	3.858 ±.002	4.246 ±.001	4.250 ^{+.002} / _{+.000}	.115 ±.010	9.02
PS1400-70.4	4.008	4.4	.115	.115 ±.010	.129 ±.002	4.008 ±.002	4.396 ±.001	4.400 ^{+.002} / _{+.000}	.115 ±.010	28.75
PS1400-72	4.108	4-1/2	.115	.115 ±.010	.129 ±.002	4.108 ±.002	4.496 ±.001	4.500 ^{+.002} / _{+.000}	.115 ±.010	9.86
PS1400-76	4.358	4-3/4	.115	.115 ±.010	.129 ±.002	4.358 ±.002	4.746 ±.001	4.750 ^{+.002} / _{+.000}	.115 ±.010	15.34
PS1400-78	4.483	4-7/8	.115	.115 ±.010	.129 ±.002	4.483 ±.002	4.871 ±.001	4.875 ^{+.002} / _{+.000}	.115 ±.010	28.97
PS1400-80	4.608	5	.115	.115 ±.010	.129 ±.002	4.608 ±.002	4.996 ±.001	5.000 ^{+.002} / _{+.000}	.115 ±.010	11.02
PS1400-84	4.858	5-1/4	.115	.115 ±.010	.129 ±.002	4.858 ±.002	5.246 ±.001	5.250 ^{+.002} / _{+.000}	.115 ±.010	11.79
PS1400-88	5.108	5-1/2	.115	.115 ±.010	.129 ±.002	5.108 ±.002	5.496 ±.001	5.500 ^{+.002} / _{+.000}	.115 ±.010	12.12
PS1400-92	5.232	5-3/4	.143	.143 ±.010	.159 ±.002	5.232 ±.002	5.746 ±.001	5.750 ^{+.002} / _{+.000}	.143 ±.010	12.89
PS1400-94	5.357	5-7/8	.143	.143 ±.010	.159 ±.002	5.357 ±.002	5.871 ±.001	5.875 ^{+.002} / _{+.000}	.143 ±.010	32.98
PS1400-96	5.482	6	.143	.143 ±.010	.159 ±.002	5.482 ±.002	5.996 ±.001	6.000 ^{+.002} / _{+.000}	.143 ±.010	13.53
PS1400-98	5.607	6-1/8	.143	.143 ±.010	.159 ±.002	5.607 ±.002	6.121 ±.001	6.125 ^{+.002} / _{+.000}	.143 ±.010	28.92
PS1400-100	5.732	6-1/4	.143	.143 ±.010	.159 ±.002	5.732 ±.002	6.246 ±.001	6.250 ^{+.002} / _{+.000}	.143 ±.010	14.43
PS1400-104	5.982	6-1/2	.143	.143 ±.010	.159 ±.002	5.982 ±.002	6.496 ±.001	6.500 ^{+.002} / _{+.000}	.143 ±.010	17.19
PS1400-112	6.482	7	.143	.143 ±.010	.159 ±.002	6.482 ±.002	6.996 ±.001	7.000 ^{+.002} / _{+.000}	.143 ±.010	17.64
PS1400-116	6.732	7-1/4	.143	.143 ±.010	.159 ±.002	6.732 ±.002	7.246 ±.001	7.250 ^{+.002} / _{+.000}	.143 ±.010	17.64
PS1400-120	6.982	7-1/2	.143	.143 ±.010	.159 ±.002	6.982 ±.002	7.496 ±.001	7.500 ^{+.002} / _{+.000}	.143 ±.010	17.66
PS1400-128	7.482	8	.143	.143 ±.010	.159 ±.002	7.482 ±.002	7.996 ±.001	8.000 ^{+.002} / _{+.000}	.143 ±.010	17.94
PS1400-130	7.607	8-1/8	.143	.143 ±.010	.159 ±.002	7.607 ±.002	8.121 ±.001	8.125 ^{+.002} / _{+.000}	.143 ±.010	39.58
PS1400-132	7.732	8-1/4	.143	.143 ±.010	.159 ±.002	7.732 ±.002	8.246 ±.001	8.250 ^{+.002} / _{+.000}	.143 ±.010	44.75

STYLE PS1400 GLASS FILLED PTFE PISTON SEALS



Part Number	A Nom. ID	B Nom. OD	C Nom. Ht	C WIDTH	D GROOVE WIDTH	H GROOVE DIAMETER	I PISTON DIAMETER	J BORE DIAMETER	CS ₁ RING CROSS SECTION	List Price
PS1400-136	7.982	8-1/2	.143	.143 ±.010	.159 ±.002	7.982 ±.002	8.496 ±.001	8.500 ^{+0.002} / _{+0.000}	.143 ±.010	50.71
PS1400-144	8.482	9	.143	.143 ±.010	.159 ±.002	8.482 ±.002	8.996 ±.001	9.000 ^{+0.002} / _{+0.000}	.143 ±.010	53.28
PS1400-152	8.982	9-1/2	.143	.143 ±.010	.159 ±.002	8.982 ±.002	9.496 ±.001	9.500 ^{+0.002} / _{+0.000}	.143 ±.010	68.70
PS1400-160	9.482	10	.143	.143 ±.010	.159 ±.002	9.482 ±.002	9.996 ±.001	10.000 ^{+0.002} / _{+0.000}	.143 ±.010	75.26
PS1400-168	9.982	10-1/2	.143	.143 ±.010	.159 ±.002	9.982 ±.002	10.496 ±.001	10.500 ^{+0.002} / _{+0.000}	.143 ±.010	96.17
PS1400-176	10.482	11	.143	.143 ±.010	.159 ±.002	10.482 ±.002	10.996 ±.001	11.000 ^{+0.002} / _{+0.000}	.143 ±.010	104.13
PS1400-184	10.982	11-1/2	.143	.143 ±.010	.159 ±.002	10.982 ±.002	11.496 ±.001	11.500 ^{+0.002} / _{+0.000}	.143 ±.010	106.71
PS1400-192	11.482	12	.143	.143 ±.010	.159 ±.002	11.482 ±.002	11.996 ±.001	12.000 ^{+0.002} / _{+0.000}	.143 ±.010	110.64
PS1400-200	11.982	12-1/2	.143	.143 ±.010	.159 ±.002	11.982 ±.002	12.496 ±.001	12.500 ^{+0.002} / _{+0.000}	.143 ±.010	116.52
PS1400-208	12.482	13	.143	.143 ±.010	.159 ±.002	12.482 ±.002	12.996 ±.001	13.000 ^{+0.002} / _{+0.000}	.143 ±.010	142.38
PS1400-224	13.482	14	.143	.143 ±.010	.159 ±.002	13.482 ±.002	13.996 ±.001	14.000 ^{+0.002} / _{+0.000}	.143 ±.010	207.26

INSTALLATION OF PTFE PISTON SEALS

Installing PTFE piston seals is not always an easy task. The use of installation tools is recommended but often not convenient when working with a wide variety of sizes and applications. Finger installations are practical with rings of smaller cross-sections. Using fingers or a rounded plastic stick, knead the ring over the piston into the groove. With rings of larger cross-sections it may be necessary to heat the ring. Warming the ring in water or oil at 130° F or 140° F for about 5 minutes will soften the material for easier installation. Always avoid inconsistent stretching or overstretching of the PTFE seal.

To prevent the PTFE ring from snapping into the wrong groove, cover wear ring grooves with plastic tape.

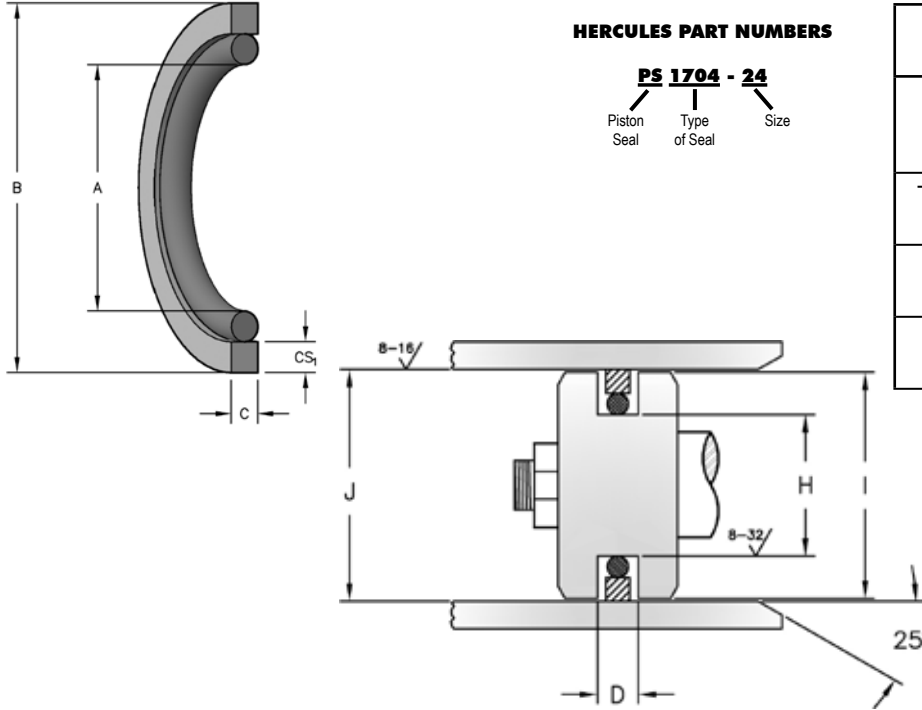
After seal installation, assembly of the cylinder may be difficult if the piston seal is loose on the piston or the cylinder has an inadequate leading edge chamfer. In such cases, compress the piston seal with belting or a suitable hose clamp. If the piston seal must pass threads or any other sharp edges during the cylinder assembly, cover the edges with plastic tape or wrap.

Seal color may vary. Special order sizes are available. Sizes not shown and out of stock items can also be ordered for next day delivery through Seals On Demand, our custom seal program. Please call your regional sales team for assistance.

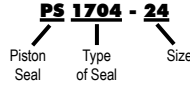
STYLE PS1704 POLY-TREL™ PISTON SEALS

Manufactured from 55 Shore D polyester reinforced with <5% glass fiber, style PS1704 offers compact, low friction sealing for light to medium duty hydraulic cylinders. Style PS1704 is easily stretched over the piston without needing to be resized as in the PS1400 seals. Directly interchangeable with style PS1400 and PS1500 piston seals.

NOTE: Piston diameter "I" dimensions are given for pistons without wear rings.



HERCULES PART NUMBERS



SEAL INFORMATION	
MATERIAL	POLY-TREL™ THERMOPLASTIC 70A NBR ENERGIZER
TEMPERATURE RANGE	-40° TO +230° F
PRESSURE RANGE	0 TO 5,000 PSI
SPEED	3 FT/SEC

Part Number	A Nom. ID	B Nom. OD	C Nom. Ht	D GROOVE WIDTH	H GROOVE DIAMETER	I PISTON DIAMETER	J BORE DIAMETER	C HEIGHT	CS ₁ RING CROSS SECTION	List Price
PS1704-24	1.241	1-1/2	.07	.083 +.002 +.000	1.241 +.002 +.000	1.497 ±.001	1.500 +.002 +.000	.070 ±.005	.070 ±.005	\$5.23
PS1704-28	1.36	1-3/4	.109	.122 +.002 +.000	1.360 +.002 +.000	1.747 ±.001	1.750 +.002 +.000	.109 ±.005	.109 ±.005	5.93
PS1704-32	1.606	2	.115	.130 +.002 +.000	1.606 +.002 +.000	1.996 ±.001	2.000 +.002 +.000	.115 ±.005	.115 ±.005	6.02
PS1704-36	1.856	2-1/4	.115	.130 +.002 +.000	1.856 +.002 +.000	2.246 ±.001	2.250 +.002 +.000	.115 ±.005	.115 ±.005	6.25
PS1704-40	2.106	2-1/2	.115	.130 +.002 +.000	2.106 +.002 +.000	2.496 ±.001	2.500 +.002 +.000	.115 ±.005	.115 ±.005	6.41
PS1704-44	2.356	2-3/4	.115	.130 +.002 +.000	2.356 +.002 +.000	2.746 ±.001	2.750 +.002 +.000	.115 ±.005	.115 ±.005	8.97
PS1704-48	2.606	3	.115	.130 +.002 +.000	2.606 +.002 +.000	2.996 ±.001	3.000 +.002 +.000	.115 ±.005	.115 ±.005	9.14
PS1704-52	2.856	3-1/4	.115	.130 +.002 +.000	2.856 +.002 +.000	3.246 ±.001	3.250 +.002 +.000	.115 ±.005	.115 ±.005	9.19
PS1704-56	3.106	3-1/2	.115	.130 +.002 +.000	3.106 +.002 +.000	3.496 ±.001	3.500 +.002 +.000	.115 ±.005	.115 ±.005	9.24
PS1704-64	3.606	4	.115	.130 +.002 +.000	3.606 +.002 +.000	3.996 ±.001	4.000 +.002 +.000	.115 ±.005	.115 ±.005	9.71
PS1704-68	3.856	4-1/4	.115	.130 +.002 +.000	3.856 +.002 +.000	4.246 ±.001	4.250 +.002 +.000	.115 ±.005	.115 ±.005	9.95
PS1704-72	4.106	4-1/2	.115	.130 +.002 +.000	4.106 +.002 +.000	4.496 ±.001	4.500 +.002 +.000	.115 ±.005	.115 ±.005	10.08
PS1704-76	4.356	4-3/4	.115	.130 +.002 +.000	4.356 +.002 +.000	4.746 ±.001	4.750 +.002 +.000	.115 ±.005	.115 ±.005	16.53

STYLE PS1704 POLY-TREL™ PISTON SEALS

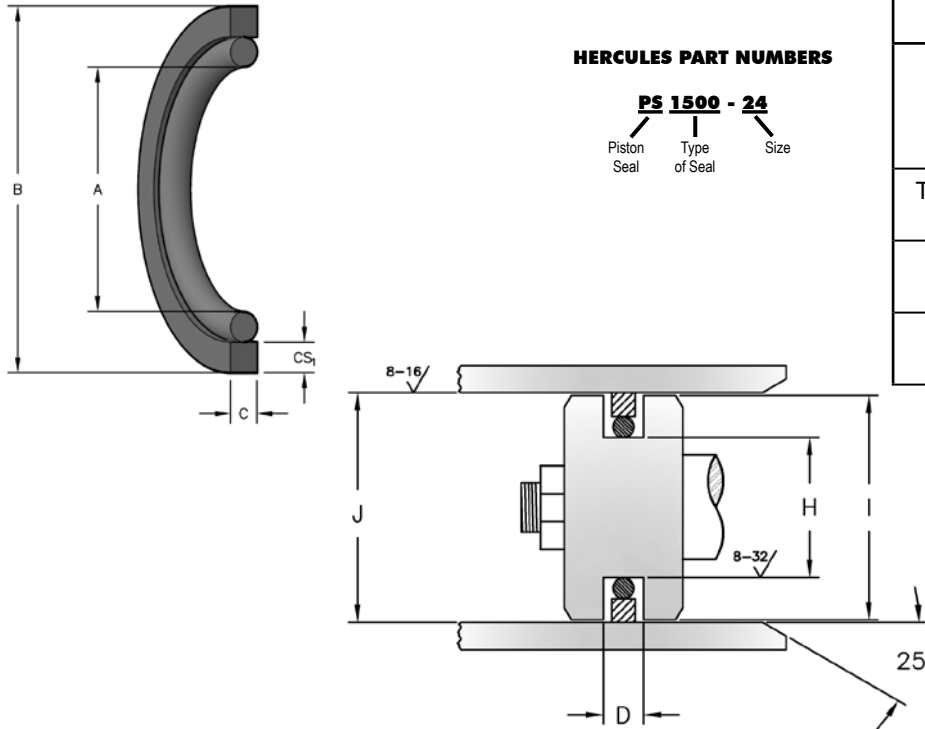


Part Number	A Nom. ID	B Nom. OD	C Nom. Ht	D GROOVE WIDTH	H GROOVE DIAMETER	I PISTON DIAMETER	J BORE DIAMETER	C HEIGHT	CS ₁ RING CROSS SECTION	List Price
PS1704-80	4.606	5	.115	.130 ^{+0.002} / _{+0.000}	4.606 ^{+0.002} / _{+0.000}	4.996 ±.001	5.000 ^{+0.002} / _{+0.000}	.115 ±.005	.115 ±.005	16.63
PS1704-84	4.856	5-1/4	.115	.130 ^{+0.002} / _{+0.000}	4.856 ^{+0.002} / _{+0.000}	5.246 ±.001	5.250 ^{+0.002} / _{+0.000}	.115 ±.005	.115 ±.005	16.80
PS1704-88	5.106	5-1/2	.115	.130 ^{+0.002} / _{+0.000}	5.106 ^{+0.002} / _{+0.000}	5.496 ±.001	5.500 ^{+0.002} / _{+0.000}	.115 ±.005	.115 ±.005	17.20
PS1704-96	5.482	6	.143	.159 ^{+0.002} / _{+0.000}	5.482 ^{+0.002} / _{+0.000}	5.996 ±.001	6.000 ^{+0.002} / _{+0.000}	.143 ±.005	.143 ±.005	23.53
PS1704-100	5.732	6-1/4	.143	.159 ^{+0.002} / _{+0.000}	5.732 ±.002	6.246 ±.001	6.250 ^{+0.002} / _{+0.000}	.143 ±.005	.143 ±.005	23.57
PS1704-112	6.482	7	.143	.159 ^{+0.002} / _{+0.000}	6.482 ^{+0.002} / _{+0.000}	6.996 ±.001	7.000 ^{+0.002} / _{+0.000}	.143 ±.005	.143 ±.005	23.76

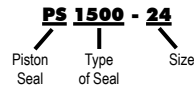
PISTON SEAL ASSEMBLIES

STYLE PS1500 POLYURETHANE PISTON SEALS

Totally interchangeable with Style PS1400 PTFE piston seals, Style PS1500 piston seals are molded from tough 60 Shore D durometer polyurethane. During the molding process, a .002" thick band of molybdenum disulfide is molded into the outside diameter of the seal ring for reduced friction. PS1500 piston seals are easily stretched over the piston and recover rapidly with the elimination of the "cold flow" characteristics found in PTFE seals. Piston diameter "I" dimensions are given for pistons without wear rings.



HERCULES PART NUMBERS



SEAL INFORMATION

MATERIAL	POLYURETHANE SEAL RUBBER ENER-GIZER
TEMPERATURE RANGE	-40° TO +200° F
PRESSURE RANGE	0 TO 5,000 PSI
SPEED	3 FT/SEC

PISTON SEAL ASSEMBLIES

Part Number	A Nom. ID	B Nom. OD	C Nom. Ht	D GROOVE WIDTH	H GROOVE DIAMETER	I PISTON DIAMETER	J BORE DIAMETER	C HEIGHT	CS ₁ RING CROSS SECTION	List Price
PS1500-20A	.99	1-1/4	.121	.129 ^{+0.002} / _{+0.000}	.990 ^{+0.002} / _{+0.000}	1.247 ±.001	1.250 ^{+0.002} / _{+0.000}	.121 ±.002	.062 ±.002	\$68.99
PS1500-24	1.241	1-1/2	.07	.083 ^{+0.002} / _{+0.000}	1.241 ^{+0.002} / _{+0.000}	1.497 ±.001	1.500 ^{+0.002} / _{+0.000}	.070 ±.005	.070 ±.005	7.17
PS1500-28	1.36	1-3/4	.109	.122 ^{+0.002} / _{+0.000}	1.360 ^{+0.002} / _{+0.000}	1.747 ±.001	1.750 ^{+0.002} / _{+0.000}	.109 ±.005	.109 ±.005	7.47
PS1500-32	1.606	2	.115	.130 ^{+0.002} / _{+0.000}	1.606 ^{+0.002} / _{+0.000}	1.996 ±.001	2.000 ^{+0.002} / _{+0.000}	.115 ±.005	.115 ±.005	7.76
PS1500-36	1.856	2-1/4	.115	.130 ^{+0.002} / _{+0.000}	1.856 ^{+0.002} / _{+0.000}	2.246 ±.001	2.250 ^{+0.002} / _{+0.000}	.115 ±.005	.115 ±.005	7.97
PS1500-38	1.981	2-3/8	.115	.130 ^{+0.002} / _{+0.000}	1.981 ^{+0.002} / _{+0.000}	2.371 ±.001	2.375 ^{+0.002} / _{+0.000}	.115 ±.005	.115 ±.005	8.03
PS1500-40	2.106	2-1/2	.115	.130 ^{+0.002} / _{+0.000}	2.106 ^{+0.002} / _{+0.000}	2.496 ±.001	2.500 ^{+0.002} / _{+0.000}	.115 ±.005	.115 ±.005	8.07
PS1500-44	2.356	2-3/4	.115	.130 ^{+0.002} / _{+0.000}	2.356 ^{+0.002} / _{+0.000}	2.746 ±.001	2.750 ^{+0.002} / _{+0.000}	.115 ±.005	.115 ±.005	8.19
PS1500-48	2.606	3	.115	.130 ^{+0.002} / _{+0.000}	2.606 ^{+0.002} / _{+0.000}	2.996 ±.001	3.000 ^{+0.002} / _{+0.000}	.115 ±.005	.115 ±.005	8.43
PS1500-52	2.856	3-1/4	.115	.130 ^{+0.002} / _{+0.000}	2.856 ^{+0.002} / _{+0.000}	3.246 ±.001	3.250 ^{+0.002} / _{+0.000}	.115 ±.005	.115 ±.005	8.60
PS1500-54	2.981	3-3/8	.115	.130 ^{+0.002} / _{+0.000}	2.981 ^{+0.002} / _{+0.000}	3.371 ±.001	3.375 ^{+0.002} / _{+0.000}	.115 ±.005	.115 ±.005	12.62
PS1500-56	3.106	3-1/2	.115	.130 ^{+0.002} / _{+0.000}	3.106 ^{+0.002} / _{+0.000}	3.496 ±.001	3.500 ^{+0.002} / _{+0.000}	.115 ±.005	.115 ±.005	8.87
PS1500-60	3.356	3-3/4	.115	.130 ^{+0.002} / _{+0.000}	3.356 ^{+0.002} / _{+0.000}	3.746 ±.001	3.750 ^{+0.002} / _{+0.000}	.115 ±.005	.115 ±.005	9.06

STYLE PS1500 POLYURETHANE PISTON SEALS

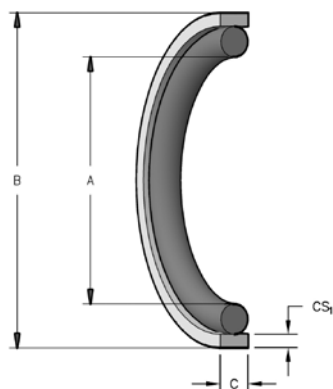


PISTON SEAL ASSEMBLIES

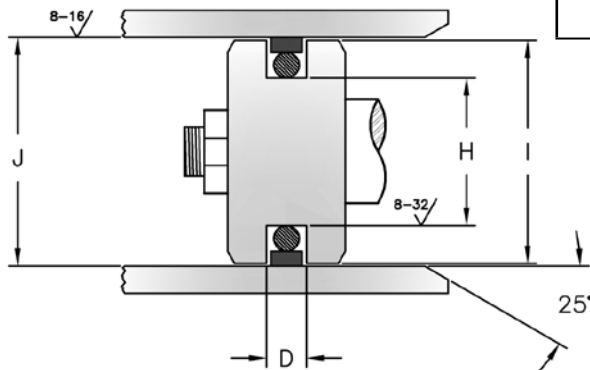
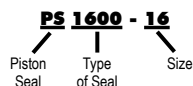
Part Number	A Nom. ID	B Nom. OD	C Nom. Ht	D GROOVE WIDTH	H GROOVE DIAMETER	I PISTON DIAMETER	J BORE DIAMETER	C HEIGHT	CS ₁ RING CROSS SECTION	List Price
PS1500-64	3.606	4	.115	.130 ^{+0.002} / _{+0.000}	3.606 ^{+0.002} / _{+0.000}	3.996 ±.001	4.000 ^{+0.002} / _{+0.000}	.115 ±.005	.115 ±.005	9.67
PS1500-68	3.856	4-1/4	.115	.130 ^{+0.002} / _{+0.000}	3.856 ^{+0.002} / _{+0.000}	4.246 ±.001	4.250 ^{+0.002} / _{+0.000}	.115 ±.005	.115 ±.005	9.94
PS1500-72	4.106	4-1/2	.115	.130 ^{+0.002} / _{+0.000}	4.106 ^{+0.002} / _{+0.000}	4.496 ±.001	4.500 ^{+0.002} / _{+0.000}	.115 ±.005	.115 ±.005	10.97
PS1500-76	4.356	4-3/4	.115	.130 ^{+0.002} / _{+0.000}	4.356 ^{+0.002} / _{+0.000}	4.746 ±.001	4.750 ^{+0.002} / _{+0.000}	.115 ±.005	.115 ±.005	11.32
PS1500-80	4.606	5	.115	.130 ^{+0.002} / _{+0.000}	4.606 ^{+0.002} / _{+0.000}	4.996 ±.001	5.000 ^{+0.002} / _{+0.000}	.115 ±.005	.115 ±.005	12.14
PS1500-84	4.856	5-1/4	.115	.130 ^{+0.002} / _{+0.000}	4.856 ^{+0.002} / _{+0.000}	5.246 ±.001	5.250 ^{+0.002} / _{+0.000}	.115 ±.005	.115 ±.005	12.87
PS1500-88	5.106	5-1/2	.115	.130 ^{+0.002} / _{+0.000}	5.106 ^{+0.002} / _{+0.000}	5.496 ±.001	5.500 ^{+0.002} / _{+0.000}	.115 ±.005	.115 ±.005	13.54
PS1500-92	5.232	5-3/4	.143	.159 ^{+0.002} / _{+0.000}	5.232 ^{+0.002} / _{+0.000}	5.746 ±.001	5.750 ^{+0.002} / _{+0.000}	.143 ±.005	.143 ±.005	14.99
PS1500-96	5.482	6	.143	.159 ^{+0.002} / _{+0.000}	5.482 ^{+0.002} / _{+0.000}	5.996 ±.001	6.000 ^{+0.002} / _{+0.000}	.143 ±.005	.143 ±.005	19.23
PS1500-104	5.982	6-1/2	.143	.159 ^{+0.002} / _{+0.000}	5.982 ^{+0.002} / _{+0.000}	6.496 ±.001	6.500 ^{+0.002} / _{+0.000}	.143 ±.005	.143 ±.005	20.18
PS1500-112	6.482	7	.143	.159 ^{+0.002} / _{+0.000}	6.482 ^{+0.002} / _{+0.000}	6.996 ±.001	7.000 ^{+0.002} / _{+0.000}	.143 ±.005	.143 ±.005	21.34
PS1500-136	7.982	8-1/2	.143	.159 ^{+0.002} / _{+0.000}	7.982 ^{+0.002} / _{+0.000}	8.494 ±.001	8.500 ^{+0.002} / _{+0.000}	.143 ±.005	.143 ±.005	24.23

STYLE PS1600 GLASS FILLED PTFE PISTON SEALS

NOTE: Piston diameter "I" dimensions are given for pistons without wear rings.



HERCULES PART NUMBERS



SEAL INFORMATION	
MATERIAL	15% GLASS FILLED PTFE SEAL RUBBER ENER-GIZER
TEMPERATURE RANGE	-40° TO +220° F
PRESSURE RANGE	0 TO 5,000 PSI
SPEED	12 FT/SEC

Part Number	A Nom. ID	B Nom. OD	C Nom. Ht	D GROOVE WIDTH	H GROOVE DIAMETER	I PISTON DIAMETER	J BORE DIAMETER	C HEIGHT	CS ₁ RING CROSS SECTION	List Price
PS1600-16	.787	1	.088	.094 ±.003	.787 ±.002	.999 ^{+0.00} / _{-.003}	1.000 ^{+0.002} / _{+0.000}	.088 ±.005	.055 ±.005	\$7.91
PS1600-18	.912	1-1/8	.088	.094 ±.003	.912 ±.002	1.124 ^{+0.000} / _{-.003}	1.125 ^{+0.002} / _{+0.000}	.088 ±.005	.055 ±.005	8.09
PS1600-20	1.037	1-1/4	.088	.094 ±.003	1.037 ±.002	1.249 ^{+0.000} / _{-.003}	1.250 ^{+0.002} / _{+0.000}	.088 ±.005	.055 ±.005	8.30
PS1600-22	1.162	1-3/8	.088	.094 ±.003	1.162 ±.002	1.374 ^{+0.000} / _{-.003}	1.375 ^{+0.002} / _{+0.000}	.088 ±.005	.055 ±.005	8.44
PS1600-24	1.287	1-1/2	.088	.094 ±.003	1.287 ±.002	1.499 ^{+0.000} / _{-.003}	1.500 ^{+0.002} / _{+0.000}	.088 ±.005	.055 ±.005	8.69
PS1600-26	1.412	1-5/8	.088	.094 ±.003	1.412 ±.002	1.624 ^{+0.000} / _{-.003}	1.625 ^{+0.002} / _{+0.000}	.088 ±.005	.055 ±.005	8.97
PS1600-28	1.537	1-3/4	.088	.094 ±.003	1.537 ±.002	1.749 ^{+0.000} / _{-.003}	1.750 ^{+0.002} / _{+0.000}	.088 ±.005	.055 ±.005	9.81
PS1600-30	1.598	1-7/8	.12	.126 ±.003	1.598 ±.002	1.874 ^{+0.000} / _{-.003}	1.875 ^{+0.002} / _{+0.000}	.120 ±.005	.060 ±.005	10.11
PS1600-32	1.723	2	.12	.126 ±.003	1.723 ±.002	1.999 ^{+0.000} / _{-.003}	2.000 ^{+0.002} / _{+0.000}	.120 ±.005	.060 ±.005	10.93
PS1600-36	1.973	2-1/4	.12	.126 ±.003	1.973 ±.002	2.249 ^{+0.000} / _{-.003}	2.250 ^{+0.002} / _{+0.000}	.120 ±.005	.060 ±.005	11.63
PS1600-38	2.098	2-3/8	.12	.126 ±.003	2.098 ±.002	2.374 ^{+0.000} / _{-.003}	2.375 ^{+0.002} / _{+0.000}	.120 ±.005	.060 ±.005	12.17
PS1600-40	2.223	2-1/2	.12	.126 ±.003	2.223 ±.002	2.500 ^{+0.000} / _{-.003}	2.500 ^{+0.002} / _{+0.000}	.120 ±.005	.060 ±.005	12.17
PS1600-44	2.353	2-3/4	.15	.157 ±.003	2.353 ±.002	2.750 ^{+0.000} / _{-.004}	2.750 ^{+0.002} / _{+0.000}	.150 ±.005	.090 ±.005	14.53
PS1600-48	2.603	3	.15	.157 ±.003	2.603 ±.002	3.000 ^{+0.000} / _{-.004}	3.000 ^{+0.002} / _{+0.000}	.150 ±.005	.090 ±.005	18.73
PS1600-52	2.853	3-1/4	.15	.157 ±.003	2.853 ±.002	3.250 ^{+0.000} / _{-.004}	3.250 ^{+0.002} / _{+0.000}	.150 ±.005	.090 ±.005	19.74

PISTON SEAL ASSEMBLIES

STYLE PS1600 GLASS FILLED PTFE PISTON SEALS

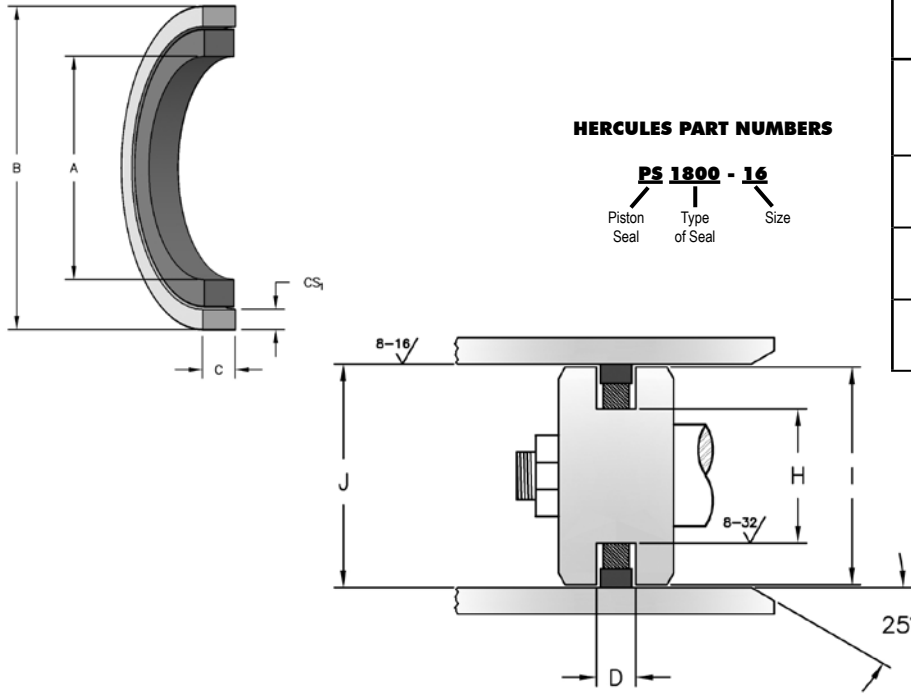


PISTON SEAL ASSEMBLIES

Part Number	A Nom. ID	B Nom. OD	C Nom. Ht	D GROOVE WIDTH	H GROOVE DIAMETER	I PISTON DIAMETER	J BORE DIAMETER	C HEIGHT	CS ₁ RING CROSS SECTION	List Price
PS1600-56	3.103	3-1/2	.15	.157 ±.003	3.103 ±.002	3.500 ^{+.000} _{-.004}	3.500 ^{+.002} _{+.000}	.150 ±.005	.090 ±.005	20.33
PS1600-60	3.353	3-3/4	.15	.157 ±.003	3.353 ±.002	3.749 ^{+.000} _{-.004}	3.750 ^{+.002} _{+.000}	.150 ±.005	.090 ±.005	20.45
PS1600-64	3.603	4	.15	.157 ±.003	3.603 ±.002	4.000 ^{+.000} _{-.004}	4.000 ^{+.002} _{+.000}	.150 ±.005	.090 ±.005	20.89
PS1600-68	3.853	4-1/4	.15	.157 ±.003	3.853 ±.002	4.250 ^{+.000} _{-.004}	4.250 ^{+.002} _{+.000}	.150 ±.005	.090 ±.005	20.83
PS1600-72	4.103	4-1/2	.15	.157 ±.003	4.103 ±.002	4.500 ^{+.000} _{-.004}	4.500 ^{+.002} _{+.000}	.150 ±.005	.090 ±.005	21.09
PS1600-76	4.353	4-3/4	.15	.157 ±.003	4.353 ±.002	4.750 ^{+.000} _{-.004}	4.750 ^{+.002} _{+.000}	.150 ±.005	.090 ±.005	25.71
PS1600-80	4.603	5	.15	.157 ±.003	4.603 ±.002	5.000 ^{+.000} _{-.004}	5.000 ^{+.002} _{+.000}	.150 ±.005	.090 ±.005	26.16
PS1600-84	4.853	5-1/4	.15	.157 ±.003	4.853 ±.002	5.250 ^{+.000} _{-.004}	5.250 ^{+.002} _{+.000}	.150 ±.005	.090 ±.005	27.95
PS1600-88	5.103	5-1/2	.15	.157 ±.003	5.103 ±.002	5.500 ^{+.000} _{-.004}	5.500 ^{+.002} _{+.000}	.150 ±.005	.090 ±.005	29.64
PS1600-92	5.353	5-3/4	.15	.157 ±.003	5.353 ±.002	5.750 ^{+.000} _{-.004}	5.750 ^{+.002} _{+.000}	.150 ±.005	.090 ±.005	36.27
PS1600-96	5.305	6	.287	.293 ±.003	5.305 ±.002	6.000 ^{+.000} _{-.005}	6.000 ^{+.002} _{+.000}	.287 ±.005	.120 ±.005	41.16
PS1600-112	6.305	7	.287	.293 ±.003	6.305 ±.002	7.000 ^{+.000} _{-.005}	7.000 ^{+.002} _{+.000}	.287 ±.005	.120 ±.005	62.42

STYLE PS1800 GLASS FILLED PTFE PISTON SEALS

The PS1800 provides low friction, high strength piston sealing. The PS1800 also provides double-acting piston sealing in a compact design that meets the requirements of ANSI/B93-32-1973. **NOTE:** Piston diameter "I" dimensions are given for pistons without wear rings.



SEAL INFORMATION	
MATERIAL	15% GLASS FILLED PTFE SEAL RUBBER ENERGIZER
TEMPERATURE RANGE	-40° TO +220° F
PRESSURE RANGE	0 TO 5,000 PSI
SPEED	12 FT/SEC

Part Number	A Nom. ID	B Nom. OD	C Nom. Ht	D GROOVE WIDTH	H GROOVE DIAMETER	I PISTON DIAMETER	J BORE DIAMETER	C HEIGHT	CS ₁ RING CROSS SECTION	List Price
PS1800-16	11/16	1	.121	.129 ±.002	.690 ±.002	.999 ^{+0.00} / _{-.005}	1.000 ^{+0.002} / _{+0.000}	.121 ^{+0.000} / _{-.005}	.073 ^{+0.000} / _{-.006}	\$7.82
PS1800-20	15/16	1-1/4	.121	.129 ±.002	.940 ±.002	1.249 ^{+0.000} / _{-.005}	1.250 ^{+0.002} / _{+0.000}	.121 ^{+0.000} / _{-.005}	.073 ^{+0.000} / _{-.006}	7.94
PS1800-24	1-3/16	1-1/2	.121	.129 ±.002	1.190 ±.002	1.499 ^{+0.000} / _{-.005}	1.500 ^{+0.002} / _{+0.000}	.121 ^{+0.000} / _{-.005}	.073 ^{+0.000} / _{-.006}	8.21
PS1800-28	1-7/16	1-3/4	.121	.129 ±.002	1.440 ±.002	1.749 ^{+0.000} / _{-.005}	1.750 ^{+0.002} / _{+0.000}	.121 ^{+0.000} / _{-.005}	.073 ^{+0.000} / _{-.006}	9.04
PS1800-32	1-11/16	2	.121	.129 ±.002	1.690 ±.002	1.999 ^{+0.000} / _{-.005}	2.000 ^{+0.002} / _{+0.000}	.121 ^{+0.000} / _{-.005}	.073 ^{+0.000} / _{-.006}	10.97
PS1800-36	1-15/16	2-1/4	.121	.129 ±.002	1.940 ±.002	2.249 ^{+0.000} / _{-.005}	2.250 ^{+0.002} / _{+0.000}	.121 ^{+0.000} / _{-.005}	.073 ^{+0.000} / _{-.006}	12.25
PS1800-40	2-3/16	2-1/2	.121	.129 ±.002	2.190 ±.002	2.499 ^{+0.000} / _{-.005}	2.500 ^{+0.002} / _{+0.000}	.121 ^{+0.000} / _{-.005}	.073 ^{+0.000} / _{-.006}	12.35
PS1800-44A	2-3/16	2-3/4	.274	.284 ±.002	2.190 ±.002	2.749 ^{+0.000} / _{-.005}	2.750 ^{+0.002} / _{+0.000}	.274 ^{+0.000} / _{-.005}	.093 ^{+0.000} / _{-.006}	15.53
PS1800-44	2-7/16	2-3/4	.121	.129 ±.002	2.440 ±.002	2.749 ^{+0.000} / _{-.005}	2.750 ^{+0.002} / _{+0.000}	.121 ^{+0.000} / _{-.005}	.073 ^{+0.000} / _{-.006}	14.86
PS1800-48	2-7/16	3	.274	.284 ±.002	2.440 ±.002	2.999 ^{+0.000} / _{-.006}	3.000 ^{+0.002} / _{+0.000}	.274 ^{+0.000} / _{-.005}	.093 ^{+0.000} / _{-.006}	15.94
PS1800-52	2-11/16	3-1/4	.274	.284 ±.002	2.690 ±.002	3.249 ^{+0.000} / _{-.006}	3.250 ^{+0.002} / _{+0.000}	.274 ^{+0.000} / _{-.005}	.093 ^{+0.000} / _{-.006}	18.92
PS1800-56	2-15/16	3-1/2	.274	.284 ±.002	2.940 ±.002	3.499 ^{+0.000} / _{-.006}	3.500 ^{+0.002} / _{+0.000}	.274 ^{+0.000} / _{-.005}	.093 ^{+0.000} / _{-.006}	20.85
PS1800-60	3-3/16	3-3/4	.274	.284 ±.002	3.190 ±.002	3.749 ^{+0.000} / _{-.006}	3.750 ^{+0.002} / _{+0.000}	.274 ^{+0.000} / _{-.005}	.093 ^{+0.000} / _{-.006}	23.69
PS1800-64	3-7/16	4	.274	.284 ±.002	3.440 ±.002	3.999 ^{+0.000} / _{-.006}	4.000 ^{+0.002} / _{+0.000}	.274 ^{+0.000} / _{-.005}	.093 ^{+0.000} / _{-.006}	26.34
PS1800-68	3-11/16	4-1/4	.274	.284 ±.002	3.690 ±.002	4.249 ^{+0.000} / _{-.006}	4.250 ^{+0.002} / _{+0.000}	.274 ^{+0.000} / _{-.005}	.093 ^{+0.000} / _{-.006}	30.40

STYLE PS1800 GLASS FILLED PTFE PISTON SEALS

Part Number	A Nom. ID	B Nom. OD	C Nom. Ht	D GROOVE WIDTH	H GROOVE DIAMETER	I PISTON DIAMETER	J BORE DIAMETER	C HEIGHT	CS ₁ RING CROSS SECTION	List Price
PS1800-72	3-15/16	4-1/2	.274	.284 ±.002	3.940 ±.002	4.499 +.000 -.006	4.500 +.002 +.000	.274 +.000 -.005	.093 +.000 -.006	31.91
PS1800-74	4-5/64	4-5/8	.274	.284 ±.002	4.078 ±.002	4.624 +.000 -.007	4.625 +.002 +.000	.274 +.000 -.005	.093 +.000 -.006	45.41
PS1800-76	4-3/16	4-3/4	.274	.284 ±.002	4.190 ±.002	4.749 +.000 -.006	4.750 +.002 +.000	.274 +.000 -.005	.093 +.000 -.006	32.90
PS1800-80	4-7/16	5	.274	.284 ±.002	4.440 ±.002	4.999 +.000 -.006	5.000 +.002 +.000	.274 +.000 -.005	.093 +.000 -.006	34.46
PS1800-84	4-1/2	5-1/4	.367	.379 ±.002	4.488 ±.002	5.249 +.000 -.007	5.250 +.002 +.000	.367 +.000 -.005	.147 +.000 -.010	40.59
PS1800-88	4-3/4	5-1/2	.367	.379 ±.002	4.738 ±.002	5.499 +.000 -.007	5.500 +.002 +.000	.367 +.000 -.005	.147 +.000 -.010	45.40
PS1800-90	4-7/8	5-5/8	.367	.379 ±.002	4.863 ±.002	5.624 +.000 -.007	5.625 +.002 +.000	.367 +.000 -.005	.147 +.000 -.010	56.33
PS1800-92	5	5-3/4	.367	.379 ±.002	4.988 ±.002	5.749 +.000 -.007	5.750 +.002 +.000	.367 +.000 -.005	.147 +.000 -.010	49.03
PS1800-96	5-1/4	6	.367	.379 ±.002	5.238 ±.002	5.999 +.000 -.007	6.000 +.002 +.000	.367 +.000 -.005	.147 +.000 -.010	52.63
PS1800-100	5-1/2	6-1/4	.367	.379 ±.002	5.488 ±.002	6.249 +.000 -.007	6.250 +.002 +.000	.367 +.000 -.005	.147 +.000 -.010	53.14
PS1800-104	5-3/4	6-1/2	.367	.379 ±.002	5.738 ±.002	6.499 +.000 -.007	6.500 +.002 +.000	.367 +.000 -.005	.147 +.000 -.010	53.14
PS1800-112	6-1/4	7	.367	.379 ±.002	6.238 ±.002	6.999 +.000 -.007	7.000 +.002 +.000	.367 +.000 -.005	.147 +.000 -.010	54.10
PS1800-116	6-1/2	7-1/4	.367	.379 ±.002	6.488 ±.002	7.249 +.000 -.007	7.250 +.002 +.000	.367 +.000 -.005	.147 +.000 -.010	58.76
PS1800-120	6-3/4	7-1/2	.367	.379 ±.002	6.738 ±.002	7.499 +.000 -.007	7.500 +.002 +.000	.367 +.000 -.005	.147 +.000 -.010	54.25
PS1800-128	7-1/4	8	.367	.379 ±.002	7.238 ±.002	7.999 +.000 -.007	8.000 +.002 +.000	.367 +.000 -.005	.147 +.000 -.010	60.44
PS1800-132	7-1/2	8-1/4	.367	.379 ±.002	7.488 ±.002	8.249 +.000 -.007	8.250 +.002 +.000	.367 +.000 -.005	.147 +.000 -.010	64.35
PS1800-136	7-3/4	8-1/2	.367	.379 ±.002	7.738 ±.002	8.499 +.000 -.007	8.500 +.002 +.000	.367 +.000 -.005	.147 +.000 -.010	68.37
PS1800-144	8-1/8	9	.367	.379 ±.002	8.122 ±.002	8.999 +.000 -.008	9.000 +.002 +.000	.367 +.000 -.005	.210 +.000 -.015	80.87
PS1800-152	8-5/8	9-1/2	.367	.379 ±.002	8.622 ±.002	9.499 +.000 -.008	9.500 +.002 +.000	.367 +.000 -.005	.210 +.000 -.015	92.04
PS1800-160	9-1/8	10	.367	.379 ±.002	9.122 ±.002	9.999 +.000 -.008	10.000 +.002 +.000	.367 +.000 -.005	.210 +.000 -.015	90.00
PS1800-168	9-5/8	10-1/2	.367	.379 ±.002	9.622 ±.002	10.499 +.000 -.008	10.500 +.002 +.000	.367 +.000 -.005	.210 +.000 -.015	117.90
PS1800-176	10-1/8	11	.367	.379 ±.002	10.122 ±.002	10.999 +.000 -.008	11.000 +.002 +.000	.367 +.000 -.005	.210 +.000 -.015	134.25
PS1800-192	11-1/8	12	.367	.379 ±.002	11.122 ±.002	11.999 +.000 -.008	12.000 +.002 +.000	.367 +.000 -.005	.210 +.000 -.015	144.07
PS1800-208	12-1/8	13	.367	.379 ±.002	12.122 ±.002	12.999 +.000 -.008	13.000 +.002 +.000	.367 +.000 -.005	.210 +.000 -.015	140.77
PS1800-224	13-1/8	14	.367	.379 ±.002	13.122 ±.002	13.999 +.000 -.008	14.000 +.002 +.000	.367 +.000 -.005	.210 +.000 -.015	156.05

*Note - PS1800-208 and PS1800-224 use round energizer.

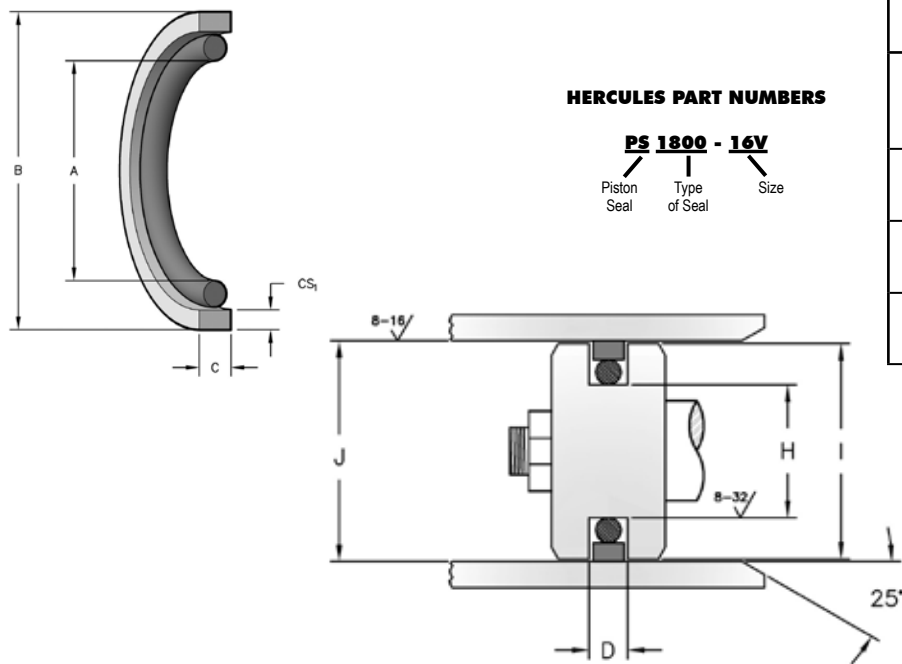
INSTALLATION OF PTFE PISTON SEALS

Installing PTFE piston seals is not always an easy task. The use of installation tools is recommended but often not convenient when working with a wide variety of sizes and applications. Finger installations are practical with rings of smaller cross-sections. Using fingers or a rounded plastic stick, knead the ring over the piston into the groove. With rings of larger cross-sections it may be necessary to heat the ring. Warming the ring in water or oil at 130° F or 140° F for about 5 minutes will soften the material for easier installation. Always avoid inconsistent stretching or overstretching of the PTFE seal. To prevent the PTFE ring from snapping into the wrong groove, cover wear ring grooves with plastic tape. After seal installation, assembly of the cylinder may be difficult if the piston seal is loose on the piston or the cylinder has an inadequate leading edge chamfer. In such cases, compress the piston seal with belting or a suitable hose clamp. If the piston seal must pass threads or any other sharp edges during the cylinder assembly, cover the edges with plastic tape or wrap.

STYLE PS1800-V GLASS FILLED PTFE PISTON SEALS

The PS1800-V provides low friction, high strength piston sealing. The PS1800 also provides double-acting piston sealing in a compact design that meets the requirements of ANSI/B93-32-1973.

NOTE: Piston diameter "I" dimensions are given for pistons without wear rings.



HERCULES PART NUMBERS

PS 1800 - 16V

Piston Seal Type of Seal Size

SEAL INFORMATION

MATERIAL	15% GLASS FILLED PTFE SEAL FKM ENERGIZER
TEMPERATURE RANGE	-20° TO +400° F
PRESSURE RANGE	0 TO 5,000 PSI
SPEED	12 FT/SEC

PISTON SEAL ASSEMBLIES

Part Number	A Nom. ID	B Nom. OD	C Nom. Ht	D GROOVE WIDTH	H GROOVE DIAMETER	I PISTON DIAMETER	J BORE DIAMETER	C HEIGHT	CS ₁ RING CROSS SECTION	List Price
PS1800-16V	11/16	1	.121	.129 ±.002	.690 ±.002	.999 ^{+0.00} / _{-.005}	1.000 ^{+0.002} / _{+0.00}	.121 ^{+0.00} / _{-.005}	.073 ^{+0.00} / _{-.006}	\$8.59
PS1800-20V	15/16	1-1/4	.121	.129 ±.002	.940 ±.002	1.249 ^{+0.00} / _{-.005}	1.250 ^{+0.002} / _{+0.00}	.121 ^{+0.00} / _{-.005}	.073 ^{+0.00} / _{-.006}	8.72
PS1800-24V	1-3/16	1-1/2	.121	.129 ±.002	1.190 ±.002	1.499 ^{+0.00} / _{-.005}	1.500 ^{+0.002} / _{+0.00}	.121 ^{+0.00} / _{-.005}	.073 ^{+0.00} / _{-.006}	9.04
PS1800-28V	1-7/16	1-3/4	.121	.129 ±.002	1.440 ±.002	1.749 ^{+0.00} / _{-.005}	1.750 ^{+0.002} / _{+0.00}	.121 ^{+0.00} / _{-.005}	.073 ^{+0.00} / _{-.006}	9.93
PS1800-32V	1-11/16	2	.121	.129 ±.002	1.690 ±.002	1.999 ^{+0.00} / _{-.005}	2.000 ^{+0.002} / _{+0.00}	.121 ^{+0.00} / _{-.005}	.073 ^{+0.00} / _{-.006}	12.07
PS1800-36V	1-15/16	2-1/4	.121	.129 ±.002	1.940 ±.002	2.249 ^{+0.00} / _{-.005}	2.250 ^{+0.002} / _{+0.00}	.121 ^{+0.00} / _{-.005}	.073 ^{+0.00} / _{-.006}	13.47
PS1800-40V	2-3/16	2-1/2	.121	.129 ±.002	2.190 ±.002	2.499 ^{+0.00} / _{-.005}	2.500 ^{+0.002} / _{+0.00}	.121 ^{+0.00} / _{-.005}	.073 ^{+0.00} / _{-.006}	13.58
* PS1800-44AV	2-3/16	2-3/4	.274	.284 ±.002	2.190 ±.002	2.749 ^{+0.00} / _{-.005}	2.750 ^{+0.002} / _{+0.00}	.274 ^{+0.00} / _{-.005}	.093 ^{+0.00} / _{-.006}	17.08
* PS1800-44V	2-7/16	2-3/4	.121	.129 ±.002	2.440 ±.002	2.749 ^{+0.00} / _{-.005}	2.750 ^{+0.002} / _{+0.00}	.121 ^{+0.00} / _{-.005}	.073 ^{+0.00} / _{-.006}	17.08
PS1800-48V	2-7/16	3	.274	.284 ±.002	2.440 ±.002	2.999 ^{+0.00} / _{-.006}	3.000 ^{+0.002} / _{+0.00}	.274 ^{+0.00} / _{-.005}	.093 ^{+0.00} / _{-.006}	17.53
PS1800-52V	2-11/16	3-1/4	.274	.284 ±.002	2.690 ±.002	3.249 ^{+0.00} / _{-.006}	3.250 ^{+0.002} / _{+0.00}	.274 ^{+0.00} / _{-.005}	.093 ^{+0.00} / _{-.006}	20.80
PS1800-56V	2-15/16	3-1/2	.274	.284 ±.002	2.940 ±.002	3.499 ^{+0.00} / _{-.006}	3.500 ^{+0.002} / _{+0.00}	.274 ^{+0.00} / _{-.005}	.093 ^{+0.00} / _{-.006}	22.94
PS1800-60V	3-3/16	3-3/4	.274	.284 ±.002	3.190 ±.002	3.749 ^{+0.00} / _{-.006}	3.750 ^{+0.002} / _{+0.00}	.274 ^{+0.00} / _{-.005}	.093 ^{+0.00} / _{-.006}	26.07
PS1800-64V	3-7/16	4	.274	.284 ±.002	3.440 ±.002	3.999 ^{+0.00} / _{-.006}	4.000 ^{+0.002} / _{+0.00}	.274 ^{+0.00} / _{-.005}	.093 ^{+0.00} / _{-.006}	28.96
PS1800-68V	3-11/16	4-1/4	.274	.284 ±.002	3.690 ±.002	4.249 ^{+0.00} / _{-.006}	4.250 ^{+0.002} / _{+0.00}	.274 ^{+0.00} / _{-.005}	.093 ^{+0.00} / _{-.006}	33.44

STYLE PS1800-V GLASS FILLED PTFE PISTON SEALS

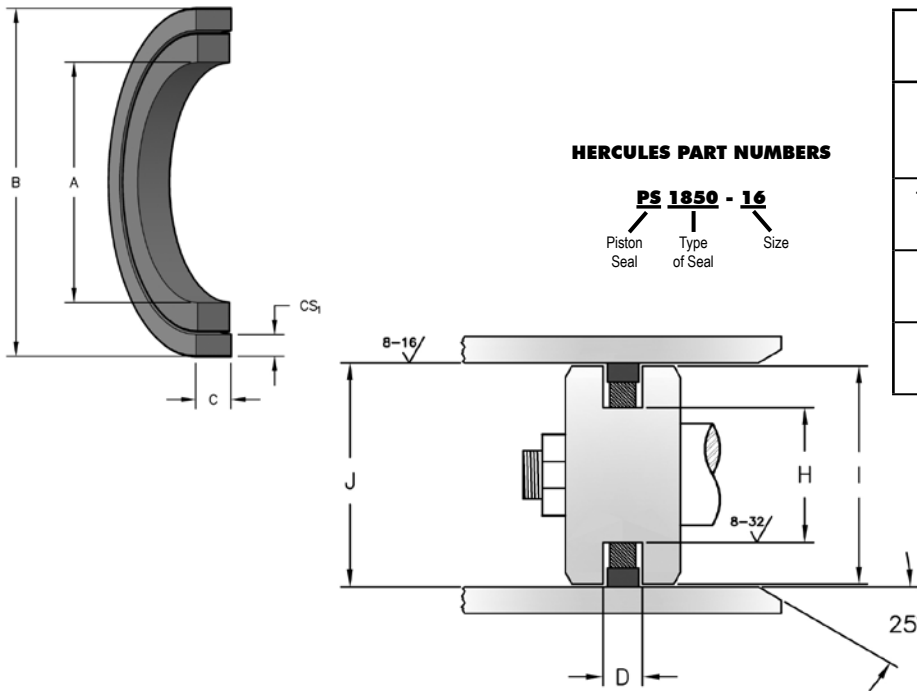


PISTON SEAL ASSEMBLIES

Part Number	A Nom. ID	B Nom. OD	C Nom. Ht	D GROOVE WIDTH	H GROOVE DIAMETER	I PISTON DIAMETER	J BORE DIAMETER	C HEIGHT	CS ₁ RING CROSS SECTION	List Price
PS1800-72V	3-15/16	4-1/2	.274	.284 ±.002	3.940 ±.002	4.499 ^{+0.000} _{-.006}	4.500 ^{+0.002} _{+0.000}	.274 ^{+0.000} _{-.005}	.093 ^{+0.000} _{-.006}	35.11
PS1800-74V	4-5/64	4-5/8	.274	.284 ±.002	4.078 ±.002	4.624 ^{+0.000} _{-.007}	4.625 ^{+0.002} _{+0.000}	.274 ^{+0.000} _{-.005}	.093 ^{+0.000} _{-.006}	49.95
PS1800-76V	4-3/16	4-3/4	.274	.284 ±.002	4.190 ±.002	4.749 ^{+0.000} _{-.006}	4.750 ^{+0.002} _{+0.000}	.274 ^{+0.000} _{-.005}	.093 ^{+0.000} _{-.006}	36.20
PS1800-80V	4-7/16	5	.274	.284 ±.002	4.440 ±.002	4.999 ^{+0.000} _{-.006}	5.000 ^{+0.002} _{+0.000}	.274 ^{+0.000} _{-.005}	.093 ^{+0.000} _{-.006}	37.91
PS1800-84V	4-1/2	5-1/4	.367	.379 ±.002	4.488 ±.002	5.249 ^{+0.000} _{-.007}	5.250 ^{+0.002} _{+0.000}	.367 ^{+0.000} _{-.005}	.147 ^{+0.000} _{-.010}	44.65
PS1800-88V	4-3/4	5-1/2	.367	.379 ±.002	4.738 ±.002	5.499 ^{+0.000} _{-.007}	5.500 ^{+0.002} _{+0.000}	.367 ^{+0.000} _{-.005}	.147 ^{+0.000} _{-.010}	49.93
PS1800-90V	4-7/8	5-5/8	.367	.379 ±.002	4.863 ±.002	5.624 ^{+0.000} _{-.007}	5.625 ^{+0.002} _{+0.000}	.367 ^{+0.000} _{-.005}	.147 ^{+0.000} _{-.010}	61.96
PS1800-92V	5	5-3/4	.367	.379 ±.002	4.988 ±.002	5.749 ^{+0.000} _{-.007}	5.750 ^{+0.002} _{+0.000}	.367 ^{+0.000} _{-.005}	.147 ^{+0.000} _{-.010}	53.92
PS1800-96V	5-1/4	6	.367	.379 ±.002	5.238 ±.002	5.999 ^{+0.000} _{-.007}	6.000 ^{+0.002} _{+0.000}	.367 ^{+0.000} _{-.005}	.147 ^{+0.000} _{-.010}	57.88
PS1800-100V	5-1/2	6-1/4	.367	.379 ±.002	5.488 ±.002	6.249 ^{+0.000} _{-.007}	6.250 ^{+0.002} _{+0.000}	.367 ^{+0.000} _{-.005}	.147 ^{+0.000} _{-.010}	58.47
PS1800-104V	5-3/4	6-1/2	.367	.379 ±.002	5.738 ±.002	6.499 ^{+0.000} _{-.007}	6.500 ^{+0.002} _{+0.000}	.367 ^{+0.000} _{-.005}	.147 ^{+0.000} _{-.010}	58.47
PS1800-112V	6-1/4	7	.367	.379 ±.002	6.238 ±.002	6.999 ^{+0.000} _{-.007}	7.000 ^{+0.002} _{+0.000}	.367 ^{+0.000} _{-.005}	.147 ^{+0.000} _{-.010}	59.50
PS1800-116V	6-1/2	7-1/4	.367	.379 ±.002	6.488 ±.002	7.249 ^{+0.000} _{-.007}	7.250 ^{+0.002} _{+0.000}	.367 ^{+0.000} _{-.005}	.147 ^{+0.000} _{-.010}	64.64
PS1800-120V	6-3/4	7-1/2	.367	.379 ±.002	6.738 ±.002	7.499 ^{+0.000} _{-.007}	7.500 ^{+0.002} _{+0.000}	.367 ^{+0.000} _{-.005}	.147 ^{+0.000} _{-.010}	59.67
PS1800-128V	7-1/4	8	.367	.379 ±.002	7.238 ±.002	7.999 ^{+0.000} _{-.007}	8.000 ^{+0.002} _{+0.000}	.367 ^{+0.000} _{-.005}	.147 ^{+0.000} _{-.010}	66.49
PS1800-132V	7-1/2	8-1/4	.367	.379 ±.002	7.488 ±.002	8.249 ^{+0.000} _{-.007}	8.250 ^{+0.002} _{+0.000}	.367 ^{+0.000} _{-.005}	.147 ^{+0.000} _{-.010}	70.78
PS1800-136V	7-3/4	8-1/2	.367	.379 ±.002	7.738 ±.002	8.499 ^{+0.000} _{-.007}	8.500 ^{+0.002} _{+0.000}	.367 ^{+0.000} _{-.005}	.147 ^{+0.000} _{-.010}	75.21
PS1800-144V	8-1/8	9	.367	.379 ±.002	8.122 ±.002	8.999 ^{+0.000} _{-.008}	9.000 ^{+0.002} _{+0.000}	.367 ^{+0.000} _{-.005}	.210 ^{+0.000} _{-.015}	88.94
PS1800-152V	8-5/8	9-1/2	.367	.379 ±.002	8.622 ±.002	9.499 ^{+0.000} _{-.008}	9.500 ^{+0.002} _{+0.000}	.367 ^{+0.000} _{-.005}	.210 ^{+0.000} _{-.015}	101.24
PS1800-160V	9-1/8	10	.367	.379 ±.002	9.122 ±.002	9.999 ^{+0.000} _{-.008}	10.000 ^{+0.002} _{+0.000}	.367 ^{+0.000} _{-.005}	.210 ^{+0.000} _{-.015}	99.00
PS1800-168V	9-5/8	10-1/2	.367	.379 ±.002	9.622 ±.002	10.499 ^{+0.000} _{-.008}	10.500 ^{+0.002} _{+0.000}	.367 ^{+0.000} _{-.005}	.210 ^{+0.000} _{-.015}	132.41
PS1800-176V	10-1/8	11	.367	.379 ±.002	10.122 ±.002	10.999 ^{+0.000} _{-.008}	11.000 ^{+0.002} _{+0.000}	.367 ^{+0.000} _{-.005}	.210 ^{+0.000} _{-.015}	147.66
PS1800-192V	11-1/8	12	.367	.379 ±.002	11.122 ±.002	11.999 ^{+0.000} _{-.008}	12.000 ^{+0.002} _{+0.000}	.367 ^{+0.000} _{-.005}	.210 ^{+0.000} _{-.015}	158.48
PS1800-208V	12-1/8	13	.367	.379 ±.002	12.122 ±.002	12.999 ^{+0.000} _{-.008}	13.000 ^{+0.002} _{+0.000}	.367 ^{+0.000} _{-.005}	.210 ^{+0.000} _{-.015}	154.84
PS1800-224V	13-1/8	14	.367	.379 ±.002	13.122 ±.002	13.999 ^{+0.000} _{-.008}	14.000 ^{+0.002} _{+0.000}	.367 ^{+0.000} _{-.005}	.210 ^{+0.000} _{-.015}	171.66

STYLE PS1850 BRONZE FILLED PISTON SEALS

The PS1850 piston seal can be used interchangeably with the PS1800 style piston seal. This seal provides improved heat resistance for demanding applications. **NOTE:** Piston diameter "I" dimensions are given for pistons without wear rings.



HERCULES PART NUMBERS

PS 1850 - 16
 Piston Seal Type of Seal Size

SEAL INFORMATION

MATERIAL	BRONZE FILLED PTFE SEALS RUBBER ENERGIZER
TEMPERATURE RANGE	-40° TO +220° F
PRESSURE RANGE	0 TO 5,000 PSI
SPEED	12 FT/SEC

PISTON SEAL ASSEMBLIES

Part Number	A Nom. ID	B Nom. OD	C Nom. Ht	D GROOVE WIDTH	H GROOVE DIAMETER	I PISTON DIAMETER	J BORE DIAMETER	C HEIGHT	CS ₁ RING CROSS SECTION	List Price
PS1850-16	11/16	1	.121	.129 ±.002	.690 ±.002	.999 ^{+.000} _{-.005}	1.000 ^{+.002} _{+.000}	.121 ^{+.000} _{-.005}	.073 ^{+.000} _{-.006}	\$12.03
PS1850-20	15/16	1-1/4	.121	.129 ±.002	.940 ±.002	1.249 ^{+.000} _{-.005}	1.250 ^{+.002} _{+.000}	.121 ^{+.000} _{-.005}	.073 ^{+.000} _{-.006}	11.65
PS1850-24	1-3/16	1-1/2	.121	.129 ±.002	1.190 ±.002	1.499 ^{+.000} _{-.005}	1.500 ^{+.002} _{+.000}	.121 ^{+.000} _{-.005}	.073 ^{+.000} _{-.006}	12.15
PS1850-28	1-7/16	1-3/4	.121	.129 ±.002	1.440 ±.002	1.749 ^{+.000} _{-.005}	1.750 ^{+.002} _{+.000}	.121 ^{+.000} _{-.005}	.073 ^{+.000} _{-.006}	13.10
PS1850-32	1-11/16	2	.121	.129 ±.002	1.690 ±.002	1.999 ^{+.000} _{-.005}	2.000 ^{+.002} _{+.000}	.121 ^{+.000} _{-.005}	.073 ^{+.000} _{-.006}	15.06
PS1850-36	1-15/16	2-1/4	.121	.129 ±.002	1.940 ±.002	2.249 ^{+.000} _{-.005}	2.250 ^{+.002} _{+.000}	.121 ^{+.000} _{-.005}	.073 ^{+.000} _{-.006}	15.45
PS1850-40	2-3/16	2-1/2	.121	.129 ±.002	2.190 ±.002	2.499 ^{+.000} _{-.005}	2.500 ^{+.002} _{+.000}	.121 ^{+.000} _{-.005}	.073 ^{+.000} _{-.006}	16.48
PS1850-44A	2-3/16	2-3/4	.274	.284 ±.002	2.190 ±.002	2.749 ^{+.000} _{-.005}	2.750 ^{+.002} _{+.000}	.274 ^{+.000} _{-.005}	.093 ^{+.000} _{-.006}	18.76
PS1850-44	2-7/16	2-3/4	.121	.129 ±.002	2.440 ±.002	2.749 ^{+.000} _{-.005}	2.750 ^{+.002} _{+.000}	.121 ^{+.000} _{-.005}	.073 ^{+.000} _{-.006}	18.28
PS1850-48	2-7/16	3	.274	.284 ±.002	2.440 ±.002	2.999 ^{+.000} _{-.006}	3.000 ^{+.002} _{+.000}	.274 ^{+.000} _{-.005}	.093 ^{+.000} _{-.006}	19.58
PS1850-52	2-11/16	3-1/4	.274	.284 ±.002	2.690 ±.002	3.249 ^{+.000} _{-.006}	3.250 ^{+.002} _{+.000}	.274 ^{+.000} _{-.005}	.093 ^{+.000} _{-.006}	23.27
PS1850-56	2-15/16	3-1/2	.274	.284 ±.002	2.940 ±.002	3.499 ^{+.000} _{-.006}	3.500 ^{+.002} _{+.000}	.274 ^{+.000} _{-.005}	.093 ^{+.000} _{-.006}	25.64
PS1850-60	3-3/16	3-3/4	.274	.284 ±.002	3.190 ±.002	3.749 ^{+.000} _{-.006}	3.750 ^{+.002} _{+.000}	.274 ^{+.000} _{-.005}	.093 ^{+.000} _{-.006}	29.11
PS1850-64	3-7/16	4	.274	.284 ±.002	3.440 ±.002	3.999 ^{+.000} _{-.006}	4.000 ^{+.002} _{+.000}	.274 ^{+.000} _{-.005}	.093 ^{+.000} _{-.006}	32.36
PS1850-68	3-11/16	4-1/4	.274	.284 ±.002	3.690 ±.002	4.249 ^{+.000} _{-.006}	4.250 ^{+.002} _{+.000}	.274 ^{+.000} _{-.005}	.093 ^{+.000} _{-.006}	37.38

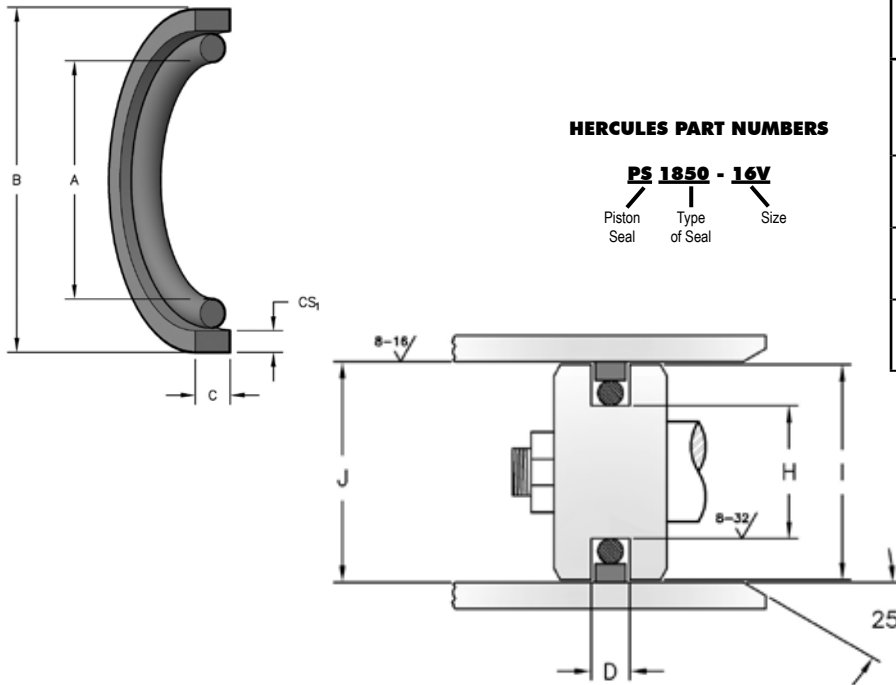
STYLE PS1850 BRONZE FILLED PISTON SEALS

Part Number	A Nom. ID	B Nom. OD	C Nom. Ht	D GROOVE WIDTH	H GROOVE DIAMETER	I PISTON DIAMETER	J BORE DIAMETER	C HEIGHT	CS ₁ RING CROSS SECTION	List Price
PS1850-72	3-15/16	4-1/2	.274	.284 ±.002	3.940 ±.002	4.499 +.000 -.006	4.500 +.002 +.000	.274 +.000 -.005	.093 +.000 -.006	39.25
PS1850-76	4-3/16	4-3/4	.274	.284 ±.002	4.190 ±.002	4.749 +.000 -.006	4.750 +.002 +.000	.274 +.000 -.005	.093 +.000 -.006	40.43
PS1850-80	4-7/16	5	.274	.284 ±.002	4.440 ±.002	4.999 +.000 -.006	5.000 +.002 +.000	.274 +.000 -.005	.093 +.000 -.006	42.36
PS1850-84	4-1/2	5-1/4	.367	.379 ±.002	4.488 ±.002	5.249 +.000 -.007	5.250 +.002 +.000	.367 +.000 -.005	.147 +.000 -.010	49.90
PS1850-88	4-3/4	5-1/2	.367	.379 ±.002	4.738 ±.002	5.499 +.000 -.007	5.500 +.002 +.000	.367 +.000 -.005	.147 +.000 -.010	55.79
PS1850-92	5	5-3/4	.367	.379 ±.002	4.988 ±.002	5.749 +.000 -.007	5.750 +.002 +.000	.367 +.000 -.005	.147 +.000 -.010	60.26
PS1850-96	5-1/4	6	.367	.379 ±.002	5.238 ±.002	5.999 +.000 -.007	6.000 +.002 +.000	.367 +.000 -.005	.147 +.000 -.010	64.71
PS1850-104	5-3/4	6-1/2	.367	.379 ±.002	5.738 ±.002	6.499 +.000 -.007	6.500 +.002 +.000	.367 +.000 -.005	.147 +.000 -.010	65.32
PS1850-112	6-1/4	7	.367	.379 ±.002	6.238 ±.002	6.999 +.000 -.007	7.000 +.002 +.000	.367 +.000 -.005	.147 +.000 -.010	66.50
PS1850-116	6-1/2	7-1/4	.367	.379 ±.002	6.488 ±.002	7.249 +.000 -.007	7.250 +.002 +.000	.367 +.000 -.005	.147 +.000 -.010	66.59
PS1850-120	6-3/4	7-1/2	.367	.379 ±.002	6.738 ±.002	7.499 +.000 -.007	7.500 +.002 +.000	.367 +.000 -.005	.147 +.000 -.010	66.71
PS1850-124	7	7-3/4	.367	.379 ±.002	6.988 ±.002	7.499 +.000 -.007	7.750 +.002 +.000	.367 +.000 -.005	.147 +.000 -.010	72.00
PS1850-128	7-1/4	8	.367	.379 ±.002	7.238 ±.002	7.999 +.000 -.007	8.000 +.002 +.000	.367 +.000 -.005	.147 +.000 -.010	76.12
PS1850-132	7-1/2	8-1/4	.367	.379 ±.002	7.488 ±.002	8.249 +.000 -.007	8.250 +.002 +.000	.367 +.000 -.005	.147 +.000 -.010	81.40
PS1850-136	7-3/4	8-1/2	.367	.379 ±.002	7.738 ±.002	8.499 +.000 -.007	8.500 +.002 +.000	.367 +.000 -.005	.147 +.000 -.010	89.37
PS1850-144	8-1/8	9	.367	.379 ±.002	8.122 ±.002	8.999 +.000 -.008	9.000 +.002 +.000	.367 +.000 -.005	.210 +.000 -.015	102.78
PS1850-152	8-5/8	9-1/2	.367	.379 ±.002	8.622 ±.002	9.499 +.000 -.008	9.500 +.002 +.000	.367 +.000 -.005	.210 +.000 -.015	108.17
PS1850-160	9-1/8	10	.367	.379 ±.002	9.122 ±.002	9.999 +.000 -.008	10.000 +.002 +.000	.367 +.000 -.005	.210 +.000 -.015	115.76
PS1850-168	9-5/8	10-1/2	.367	.379 ±.002	9.622 ±.002	10.499 +.000 -.008	10.500 +.002 +.000	.367 +.000 -.005	.210 +.000 -.015	120.44
PS1850-176	10-1/8	11	.367	.379 ±.002	10.122 ±.002	10.999 +.000 -.008	11.000 +.002 +.000	.367 +.000 -.005	.210 +.000 -.015	168.22
PS1850-192	11-1/8	12	.367	.379 ±.002	11.122 ±.002	11.999 +.000 -.008	12.000 +.002 +.000	.367 +.000 -.005	.210 +.000 -.015	178.19
PS1850-208	12-1/8	13	.367	.379 ±.002	12.122 ±.002	12.999 +.000 -.008	13.000 +.002 +.000	.367 +.000 -.005	.210 +.000 -.015	181.44
PS1850-224	13-1/8	14	.367	.379 ±.002	13.122 ±.002	13.999 +.000 -.008	14.000 +.002 +.000	.367 +.000 -.005	.210 +.000 -.015	213.38

*Note - PS1850-208 and PS1850-224 use round energizers.

STYLE PS1850-V BRONZE FILLED PISTON SEALS

The PS1850-V piston seal can be used interchangeably with the PS1800 style piston seal. This seal provides improved heat resistance for demanding applications. **NOTE:** Piston diameter "I" dimensions are given for pistons without wear rings.



SEAL INFORMATION	
MATERIAL	15% GLASS FILLED PTFE SEAL FKM EXPANDER
TEMPERATURE RANGE	-20° TO +400° F
PRESSURE RANGE	0 TO 5,000 PSI
SPEED	12 FT/SEC

PISTON SEAL ASSEMBLIES

Part Number	A Nom. ID	B Nom. OD	C Nom. Ht	D GROOVE WIDTH	H GROOVE DIAMETER	I PISTON DIAMETER	J BORE DIAMETER	C HEIGHT	CS ₁ RING CROSS SECTION	List Price
PS1850-16V	11/16	1	.121	.129 ±.002	.690 ±.002	.999 ^{+0.000} / _{-.005}	1.000 ^{+0.002} / _{+0.000}	.121 ^{+0.000} / _{-.005}	.073 ^{+0.000} / _{-.006}	\$ 13.23
PS1850-20V	15/16	1-1/4	.121	.129 ±.002	.940 ±.002	1.249 ^{+0.000} / _{-.005}	1.250 ^{+0.002} / _{+0.000}	.121 ^{+0.000} / _{-.005}	.073 ^{+0.000} / _{-.006}	12.82
PS1850-24V	1-3/16	1-1/2	.121	.129 ±.002	1.190 ±.002	1.499 ^{+0.000} / _{-.005}	1.500 ^{+0.002} / _{+0.000}	.121 ^{+0.000} / _{-.005}	.073 ^{+0.000} / _{-.006}	13.36
PS1850-28V	1-7/16	1-3/4	.121	.129 ±.002	1.440 ±.002	1.749 ^{+0.000} / _{-.005}	1.750 ^{+0.002} / _{+0.000}	.121 ^{+0.000} / _{-.005}	.073 ^{+0.000} / _{-.006}	14.40
PS1850-32V	1-11/16	2	.121	.129 ±.002	1.690 ±.002	1.999 ^{+0.000} / _{-.005}	2.000 ^{+0.002} / _{+0.000}	.121 ^{+0.000} / _{-.005}	.073 ^{+0.000} / _{-.006}	16.57
PS1850-36V	1-15/16	2-1/4	.121	.129 ±.002	1.940 ±.002	2.249 ^{+0.000} / _{-.005}	2.250 ^{+0.002} / _{+0.000}	.121 ^{+0.000} / _{-.005}	.073 ^{+0.000} / _{-.006}	16.99
PS1850-40V	2-3/16	2-1/2	.121	.129 ±.002	2.190 ±.002	2.499 ^{+0.000} / _{-.005}	2.500 ^{+0.002} / _{+0.000}	.121 ^{+0.000} / _{-.005}	.073 ^{+0.000} / _{-.006}	18.13
PS1850-44AV	2-3/16	2-3/4	.274	.284 ±.002	2.190 ±.002	2.749 ^{+0.000} / _{-.005}	2.750 ^{+0.002} / _{+0.000}	.274 ^{+0.000} / _{-.005}	.093 ^{+0.000} / _{-.006}	20.65
PS1850-44V	2-7/16	2-3/4	.121	.129 ±.002	2.440 ±.002	2.749 ^{+0.000} / _{-.005}	2.750 ^{+0.002} / _{+0.000}	.121 ^{+0.000} / _{-.005}	.073 ^{+0.000} / _{-.006}	20.11
PS1850-48V	2-7/16	3	.274	.284 ±.002	2.440 ±.002	2.999 ^{+0.000} / _{-.006}	3.000 ^{+0.002} / _{+0.000}	.274 ^{+0.000} / _{-.005}	.093 ^{+0.000} / _{-.006}	21.54
PS1850-52V	2-11/16	3-1/4	.274	.284 ±.002	2.690 ±.002	3.249 ^{+0.000} / _{-.006}	3.250 ^{+0.002} / _{+0.000}	.274 ^{+0.000} / _{-.005}	.093 ^{+0.000} / _{-.006}	25.61
PS1850-56V	2-15/16	3-1/2	.274	.284 ±.002	2.940 ±.002	3.499 ^{+0.000} / _{-.006}	3.500 ^{+0.002} / _{+0.000}	.274 ^{+0.000} / _{-.005}	.093 ^{+0.000} / _{-.006}	28.21
PS1850-60V	3-3/16	3-3/4	.274	.284 ±.002	3.190 ±.002	3.749 ^{+0.000} / _{-.006}	3.750 ^{+0.002} / _{+0.000}	.274 ^{+0.000} / _{-.005}	.093 ^{+0.000} / _{-.006}	32.03
PS1850-64V	3-7/16	4	.274	.284 ±.002	3.440 ±.002	3.999 ^{+0.000} / _{-.006}	4.000 ^{+0.002} / _{+0.000}	.274 ^{+0.000} / _{-.005}	.093 ^{+0.000} / _{-.006}	35.59
PS1850-68V	3-11/16	4-1/4	.274	.284 ±.002	3.690 ±.002	4.249 ^{+0.000} / _{-.006}	4.250 ^{+0.002} / _{+0.000}	.274 ^{+0.000} / _{-.005}	.093 ^{+0.000} / _{-.006}	41.13

STYLE PS1850-V BRONZE FILLED PISTON SEALS



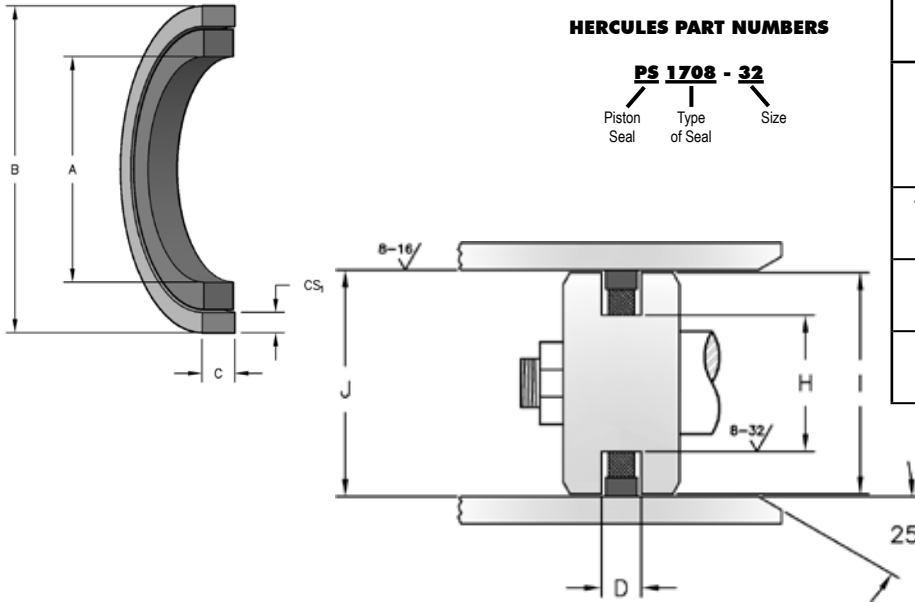
PISTON SEAL ASSEMBLIES

Part Number	A Nom. ID	B Nom. OD	C Nom. Ht	D GROOVE WIDTH	H GROOVE DIAMETER	I PISTON DIAMETER	J BORE DIAMETER	C HEIGHT	CS ₁ RING CROSS SECTION	List Price
PS1850-72V	3-15/16	4-1/2	.274	.284 ±.002	3.940 ±.002	4.499 ^{+0.000} / _{-.006}	4.500 ^{+0.002} / _{+0.000}	.274 ^{+0.000} / _{-.005}	.093 ^{+0.000} / _{-.006}	43.17
PS1850-76V	4-3/16	4-3/4	.274	.284 ±.002	4.190 ±.002	4.749 ^{+0.000} / _{-.006}	4.750 ^{+0.002} / _{+0.000}	.274 ^{+0.000} / _{-.005}	.093 ^{+0.000} / _{-.006}	44.48
PS1850-80V	4-7/16	5	.274	.284 ±.002	4.440 ±.002	4.999 ^{+0.000} / _{-.006}	5.000 ^{+0.002} / _{+0.000}	.274 ^{+0.000} / _{-.005}	.093 ^{+0.000} / _{-.006}	46.59
PS1850-84V	4-1/2	5-1/4	.367	.379 ±.002	4.488 ±.002	5.249 ^{+0.000} / _{-.007}	5.250 ^{+0.002} / _{+0.000}	.367 ^{+0.000} / _{-.005}	.147 ^{+0.000} / _{-.010}	54.88
PS1850-88V	4-3/4	5-1/2	.367	.379 ±.002	4.738 ±.002	5.499 ^{+0.000} / _{-.007}	5.500 ^{+0.002} / _{+0.000}	.367 ^{+0.000} / _{-.005}	.147 ^{+0.000} / _{-.010}	61.37
PS1850-92V	5	5-3/4	.367	.379 ±.002	4.988 ±.002	5.749 ^{+0.000} / _{-.007}	5.750 ^{+0.002} / _{+0.000}	.367 ^{+0.000} / _{-.005}	.147 ^{+0.000} / _{-.010}	66.28
PS1850-96V	5-1/4	6	.367	.379 ±.002	5.238 ±.002	5.999 ^{+0.000} / _{-.007}	6.000 ^{+0.002} / _{+0.000}	.367 ^{+0.000} / _{-.005}	.147 ^{+0.000} / _{-.010}	71.18
PS1850-104V	5-3/4	6-1/2	.367	.379 ±.002	5.738 ±.002	6.499 ^{+0.000} / _{-.007}	6.500 ^{+0.002} / _{+0.000}	.367 ^{+0.000} / _{-.005}	.147 ^{+0.000} / _{-.010}	71.85
PS1850-112V	6-1/4	7	.367	.379 ±.002	6.238 ±.002	6.999 ^{+0.000} / _{-.007}	7.000 ^{+0.002} / _{+0.000}	.367 ^{+0.000} / _{-.005}	.147 ^{+0.000} / _{-.010}	73.15
PS1850-116V	6-1/2	7-1/4	.367	.379 ±.002	6.488 ±.002	7.249 ^{+0.000} / _{-.007}	7.250 ^{+0.002} / _{+0.000}	.367 ^{+0.000} / _{-.005}	.147 ^{+0.000} / _{-.010}	73.25
PS1850-120V	6-3/4	7-1/2	.367	.379 ±.002	6.738 ±.002	7.499 ^{+0.000} / _{-.007}	7.500 ^{+0.002} / _{+0.000}	.367 ^{+0.000} / _{-.005}	.147 ^{+0.000} / _{-.010}	73.38
PS1850-124V	7	7-3/4	.367	.379 ±.002	6.988 ±.002	7.499 ^{+0.000} / _{-.007}	7.750 ^{+0.002} / _{+0.000}	.367 ^{+0.000} / _{-.005}	.147 ^{+0.000} / _{-.010}	79.20
PS1850-128V	7-1/4	8	.367	.379 ±.002	7.238 ±.002	7.999 ^{+0.000} / _{-.007}	8.000 ^{+0.002} / _{+0.000}	.367 ^{+0.000} / _{-.005}	.147 ^{+0.000} / _{-.010}	83.74
PS1850-132V	7-1/2	8-1/4	.367	.379 ±.002	7.488 ±.002	8.249 ^{+0.000} / _{-.007}	8.250 ^{+0.002} / _{+0.000}	.367 ^{+0.000} / _{-.005}	.147 ^{+0.000} / _{-.010}	89.53
PS1850-136V	7-3/4	8-1/2	.367	.379 ±.002	7.738 ±.002	8.499 ^{+0.000} / _{-.007}	8.500 ^{+0.002} / _{+0.000}	.367 ^{+0.000} / _{-.005}	.147 ^{+0.000} / _{-.010}	98.30
PS1850-144V	8-1/8	9	.367	.379 ±.002	8.122 ±.002	8.999 ^{+0.000} / _{-.008}	9.000 ^{+0.002} / _{+0.000}	.367 ^{+0.000} / _{-.005}	.210 ^{+0.000} / _{-.015}	113.07
PS1850-152V	8-5/8	9-1/2	.367	.379 ±.002	8.622 ±.002	9.499 ^{+0.000} / _{-.008}	9.500 ^{+0.002} / _{+0.000}	.367 ^{+0.000} / _{-.005}	.210 ^{+0.000} / _{-.015}	118.98
PS1850-160V	9-1/8	10	.367	.379 ±.002	9.122 ±.002	9.999 ^{+0.000} / _{-.008}	10.000 ^{+0.002} / _{+0.000}	.367 ^{+0.000} / _{-.005}	.210 ^{+0.000} / _{-.015}	127.34
PS1850-168V	9-5/8	10-1/2	.367	.379 ±.002	9.622 ±.002	10.499 ^{+0.000} / _{-.008}	10.500 ^{+0.002} / _{+0.000}	.367 ^{+0.000} / _{-.005}	.210 ^{+0.000} / _{-.015}	132.49
PS1850-176V	10-1/8	11	.367	.379 ±.002	10.122 ±.002	10.999 ^{+0.000} / _{-.008}	11.000 ^{+0.002} / _{+0.000}	.367 ^{+0.000} / _{-.005}	.210 ^{+0.000} / _{-.015}	185.04
PS1850-192V	11-1/8	12	.367	.379 ±.002	11.122 ±.002	11.999 ^{+0.000} / _{-.008}	12.000 ^{+0.002} / _{+0.000}	.367 ^{+0.000} / _{-.005}	.210 ^{+0.000} / _{-.015}	196.02
PS1850-208V	12-1/8	13	.367	.379 ±.002	12.122 ±.002	12.999 ^{+0.000} / _{-.008}	13.000 ^{+0.002} / _{+0.000}	.367 ^{+0.000} / _{-.005}	.210 ^{+0.000} / _{-.015}	199.58
PS1850-224V	13-1/8	14	.367	.379 ±.002	13.122 ±.002	13.999 ^{+0.000} / _{-.008}	14.000 ^{+0.002} / _{+0.000}	.367 ^{+0.000} / _{-.005}	.210 ^{+0.000} / _{-.015}	234.73

STYLE PS1708 POLY-TREL™ PISTON SEALS

Manufactured from 55 Shore D polyester reinforced with <5% glass fiber, style PS1708 offers compact, low friction sealing for light to medium duty hydraulic cylinders. Style PS1708 is easily stretched over the piston without needing to be resized as in the PS1800 seals. Directly interchangeable with style PS1800 and PS1850 piston seals.

NOTE: Piston diameter "I" dimensions are given for pistons without wear rings.



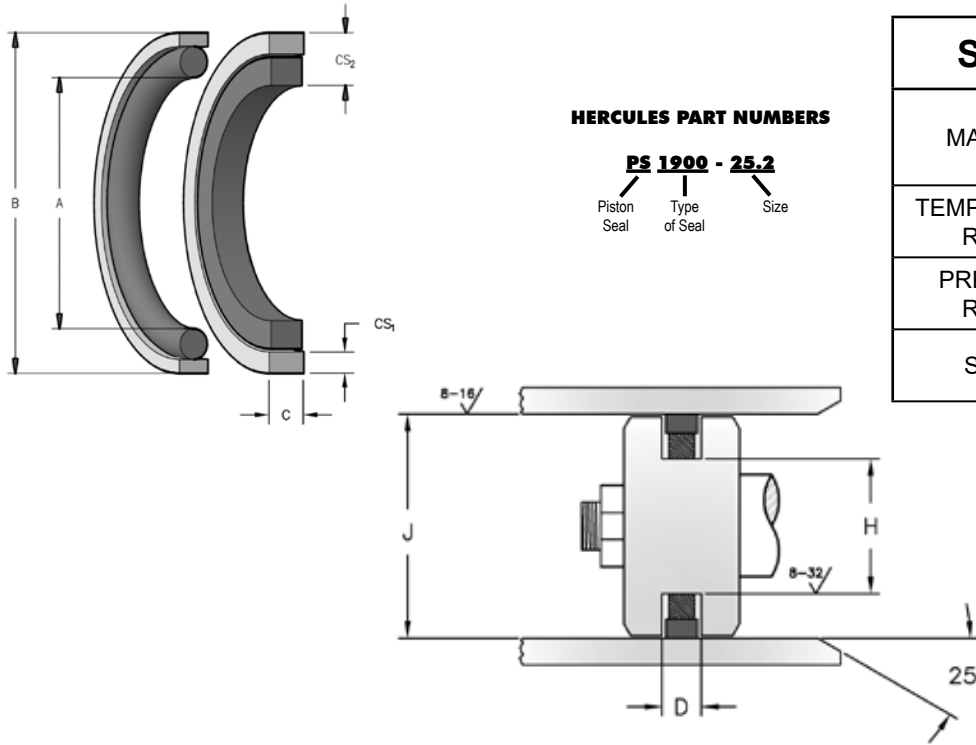
SEAL INFORMATION	
MATERIAL	POLY-TREL™ THERMOPLASTIC 70A NBR ENERGIZER
TEMPERATURE RANGE	-40° TO +230° F
PRESSURE RANGE	0 TO 5,000 PSI
SPEED	3 FT/SEC

Part Number	A Nom. ID	B Nom. OD	C Nom. Ht	D GROOVE WIDTH	H GROOVE DIAMETER	I PISTON DIAMETER	J BORE DIAMETER	C HEIGHT	CS ₁ RING CROSS SECTION	List Price
PS1708-32	1-11/16	2	.121	.129 ±.002	1.690 ±.002	1.999 ^{+0.000} / _{-.003}	2.000 ^{+0.002} / _{+0.000}	.121 ^{+0.000} / _{-.005}	.073 ^{+0.000} / _{-.006}	\$8.85
PS1708-40	2-3/16	2-1/2	.121	.129 ±.002	2.190 ±.002	2.499 ^{+0.000} / _{-.005}	2.500 ^{+0.002} / _{+0.000}	.121 ^{+0.000} / _{-.005}	.073 ^{+0.000} / _{-.006}	9.46
PS1708-48	2-7/16	3	.274	.284 ±.002	2.440 ±.002	2.999 ^{+0.000} / _{-.006}	3.000 ^{+0.002} / _{+0.000}	.274 ^{+0.000} / _{-.005}	.093 ^{+0.000} / _{-.006}	13.68
PS1708-52	2-11/16	3-1/4	.274	.284 ±.002	2.690 ±.002	3.249 ^{+0.000} / _{-.006}	3.250 ^{+0.002} / _{+0.000}	.274 ^{+0.000} / _{-.005}	.093 ^{+0.000} / _{-.006}	13.90
PS1708-56	2-15/16	3-1/2	.274	.284 ±.002	2.940 ±.002	3.499 ^{+0.000} / _{-.006}	3.500 ^{+0.002} / _{+0.000}	.274 ^{+0.000} / _{-.005}	.093 ^{+0.000} / _{-.006}	13.88
PS1708-60	3-3/16	3-3/4	.274	.284 ±.002	3.190 ±.002	3.749 ^{+0.000} / _{-.006}	3.750 ^{+0.002} / _{+0.000}	.274 ^{+0.000} / _{-.005}	.093 ^{+0.000} / _{-.006}	15.08
PS1708-64	3-7/16	4	.274	.284 ±.002	3.440 ±.002	3.999 ^{+0.000} / _{-.006}	4.000 ^{+0.002} / _{+0.000}	.274 ^{+0.000} / _{-.005}	.093 ^{+0.000} / _{-.006}	14.70
PS1708-68	3-11/16	4-1/4	.274	.284 ±.002	3.690 ±.002	4.249 ^{+0.000} / _{-.006}	4.250 ^{+0.002} / _{+0.000}	.274 ^{+0.000} / _{-.005}	.093 ^{+0.000} / _{-.006}	15.33
PS1708-72	3-15/16	4-1/2	.274	.284 ±.002	3.940 ±.002	4.499 ^{+0.000} / _{-.006}	4.500 ^{+0.002} / _{+0.000}	.274 ^{+0.000} / _{-.005}	.093 ^{+0.000} / _{-.006}	15.37
PS1708-76	4-3/16	4-3/4	.274	.284 ±.002	4.190 ±.002	4.749 ^{+0.000} / _{-.006}	4.750 ^{+0.002} / _{+0.000}	.274 ^{+0.000} / _{-.005}	.093 ^{+0.000} / _{-.006}	24.97
PS1708-80	4-7/16	5	.274	.284 ±.002	4.440 ±.002	4.999 ^{+0.000} / _{-.006}	5.000 ^{+0.002} / _{+0.000}	.274 ^{+0.000} / _{-.005}	.093 ^{+0.000} / _{-.006}	25.21
PS1708-88	4-3/4	5-1/2	.367	.379 ±.002	4.738 ±.002	5.499 ^{+0.000} / _{-.007}	5.500 ^{+0.002} / _{+0.000}	.367 ^{+0.000} / _{-.005}	.147 ^{+0.000} / _{-.010}	26.51
PS1708-96	5-1/4	6	.367	.379 ±.002	5.238 ±.002	5.999 ^{+0.000} / _{-.007}	6.000 ^{+0.002} / _{+0.000}	.367 ^{+0.000} / _{-.005}	.147 ^{+0.000} / _{-.010}	34.97
PS1708-100	5-1/2	6-1/4	.367	.379 ±.002	5.488 ±.002	6.249 ^{+0.000} / _{-.007}	6.250 ^{+0.002} / _{+0.000}	.367 ^{+0.000} / _{-.005}	.147 ^{+0.000} / _{-.010}	37.55
PS1708-104	5-3/4	6-1/2	.367	.379 ±.002	5.738 ±.002	6.499 ^{+0.000} / _{-.007}	6.500 ^{+0.002} / _{+0.000}	.367 ^{+0.000} / _{-.005}	.147 ^{+0.000} / _{-.010}	37.44

STYLE PS1900 NON-STANDARD PTFE PISTON SEALS



These specifically sized seals are for certain OEM cylinders (primarily Heil & Timberjack). Their use is intended for existing housings where the old seals are dimensionally comparable to the table below. Please call your sales representative if you need additional assistance.



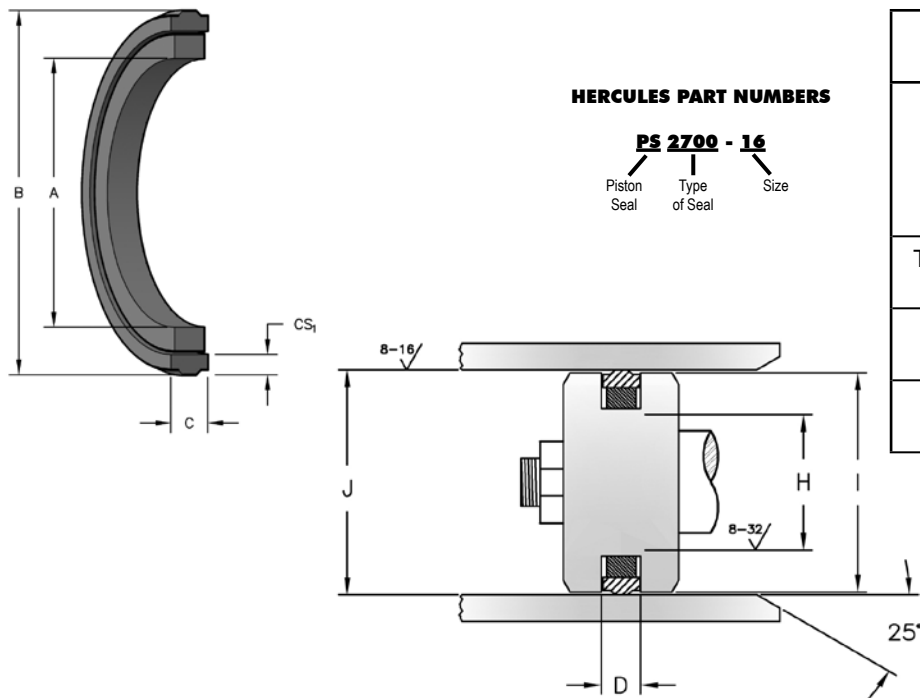
SEAL INFORMATION	
MATERIAL	GLASS FILLED PTFE SEAL RUBBER ENERGIZER
TEMPERATURE RANGE	-40° TO +220° F
PRESSURE RANGE	0 TO 5,000 PSI
SPEED	12 FT/SEC

PISTON SEAL ASSEMBLIES

Part Number	A Nom. ID	B Nom. OD	C Nom. Ht	D GROOVE WIDTH	H GROOVE DIAMETER	J BORE DIAMETER	C HEIGHT	CS ₁ RING CROSS SECTION	CS ₂ TOTAL CROSS SECTION	List Price
PS1900-25.2	1.13	1.578	.154	.164 ^{+0.02} / _{+0.00}	1.130 ±.002	1.578 ^{+0.02} / _{+0.00}	.154 ±.002	.106 ±.003	.245	\$17.93
PS1900-28.3	1.323	1.771	.154	.164 ^{+0.02} / _{+0.00}	1.323 ±.002	1.771 ^{+0.02} / _{+0.00}	.154 ±.002	.106 ±.003	.245	17.74
PS1900-32	1.649	2	.155	.160 ^{+0.02} / _{+0.00}	1.649 ±.002	2.000 ^{+0.02} / _{+0.00}	.155 ^{+0.02} / _{-.003}	.088 ±.003	.191	24.82
PS1900-40	1.951	2-1/2	.245	.255 ^{+0.02} / _{+0.00}	1.951 ±.002	2.500 ^{+0.02} / _{+0.00}	.245	.092	.295	45.22
PS1900-56	2.715	3-1/2	.365	.380 ^{+0.02} / _{+0.00}	2.715 ±.002	3.500 ^{+0.02} / _{+0.00}	.365 ^{+0.02} / _{-.003}	.145 ^{+0.02} / _{-.003}	.420	49.89
PS1900-64	3.238	4	.365	.379 ±.002	3.238 ±.002	4.000 ±.002	.365 ±.002	.140 ±.005	.405	55.45
PS1900-64A	3.451	4	.31	.320 ^{+0.02} / _{+0.00}	3.451 ±.002	4.000 ^{+0.02} / _{+0.00}	.310	.092	.295	37.76
PS1900-72	3.738	4-1/2	.365	.379 ±.002	3.738 ±.002	4.500 ±.002	.365 ±.002	.140 ±.005	.415	64.57
PS1900-72A	3.951	4-1/2	.31	.320 ^{+0.02} / _{+0.00}	3.951 ±.002	4.500 ^{+0.02} / _{+0.00}	.310	.092	.295	35.33
PS1900-76	4.073	4-3/4	.225	.235 ^{+0.02} / _{+0.00}	4.073 ±.002	4.750 ^{+0.02} / _{+0.00}	.225 ^{+0.00} / _{-.006}	.160 ±.003	.370	100.33
PS1900-80A	4.239	5	.365	.370 ^{+0.02} / _{+0.00}	4.239 ±.002	5.000 ^{+0.02} / _{+0.00}	.365 ^{+0.02} / _{-.003}	.142 ±.005	.407	54.08

STYLE PS2700 POLYURETHANE PISTON SEALS

This seal, molded from high grade 55D polyurethane, may retrofit the PS1800 seals, considering all dimensions are comparable. This seal material, with a high degree of memory, stretches over the piston and snaps in the groove for immediate assembly. These seals also feature low friction and high abrasion and extrusion resistance which helps to eliminate assembly damage. Piston diameter "I" dimensions are given for pistons without wear rings.



SEAL INFORMATION	
MATERIAL	GLASS / PTFE FILLED 55D POLYURETHANE SEAL, RUBBER ENERGIZER
TEMPERATURE RANGE	-40° TO +220° F
PRESSURE RANGE	0 TO 5,000 PSI
SPEED	3 FT/SEC

Part Number	A Nom. ID	B Nom. OD	C Nom. Ht	D GROOVE WIDTH	H GROOVE DIAMETER	I PISTON DIAMETER	J BORE DIAMETER	C HEIGHT	CS ₁ RING CROSS SECTION	List Price
PS2700-16	.691	1	.119	.129 ±.002	.691 ±.001	.999 ^{+.000} _{-.009}	1.000 ^{+.002} _{+.000}	.119 ^{+.002} _{-.003}	.070 ±.003	\$9.00
PS2700-20	.941	1-1/4	.119	.129 ±.002	.941 ±.002	1.249 ^{+.000} _{-.009}	1.250 ^{+.002} _{+.000}	.119 ^{+.002} _{-.003}	.070 ±.003	9.00
PS2700-24	1.191	1-1/2	.119	.129 ±.002	1.191 ±.002	1.499 ^{+.000} _{-.009}	1.500 ^{+.002} _{+.000}	.119 ^{+.002} _{-.003}	.070 ±.003	9.41
PS2700-28	1.441	1-3/4	.119	.129 ±.002	1.441 ±.002	1.749 ^{+.000} _{-.009}	1.750 ^{+.002} _{+.000}	.119 ^{+.002} _{-.003}	.070 ±.003	9.41
PS2700-32	1.691	2	.119	.129 ±.002	1.691 ±.002	1.999 ^{+.000} _{-.009}	2.000 ^{+.003} _{+.000}	.119 ^{+.002} _{-.003}	.070 ±.003	10.16
PS2700-36	1.941	2-1/4	.119	.129 ±.002	1.941 ±.002	2.249 ^{+.000} _{-.009}	2.250 ^{+.003} _{+.000}	.119 ^{+.002} _{-.003}	.070 ±.003	10.71
PS2700-40A	1.962	2-1/2	.272	.284 ±.002	1.962 ±.002	2.499 ^{+.000} _{-.009}	2.500 ^{+.003} _{+.000}	.272 ^{+.002} _{-.003}	.090 ±.003	16.06
PS2700-40	2.191	2-1/2	.119	.129 ±.002	2.191 ±.002	2.499 ^{+.000} _{-.009}	2.500 ^{+.003} _{+.000}	.119 ^{+.002} _{-.003}	.070 ±.003	11.18
PS2700-44	2.441	2-3/4	.119	.129 ±.002	2.441 ±.002	2.749 ^{+.000} _{-.009}	2.750 ^{+.003} _{+.000}	.119 ^{+.002} _{-.003}	.070 ±.003	11.50
PS2700-48	2.462	3	.272	.283 ±.003	2.462 ±.002	2.999 ^{+.000} _{-.014}	3.000 ^{+.003} _{+.000}	.272 ^{+.002} _{-.003}	.090 ±.003	14.13
PS2700-52	2.712	3-1/4	.272	.283 ±.003	2.712 ±.002	3.249 ^{+.000} _{-.014}	3.250 ^{+.003} _{+.000}	.272 ^{+.002} _{-.003}	.090 ±.003	16.77
PS2700-56	2.962	3-1/2	.272	.283 ±.003	2.962 ±.002	3.499 ^{+.000} _{-.014}	3.500 ^{+.003} _{+.000}	.272 ^{+.002} _{-.003}	.090 ±.003	17.04
PS2700-60	3.212	3-3/4	.272	.283 ±.003	3.212 ±.003	3.749 ^{+.000} _{-.014}	3.750 ^{+.003} _{+.000}	.272 ^{+.002} _{-.003}	.090 ±.003	17.27
PS2700-64	3.462	4	.272	.283 ±.003	3.462 ±.003	3.999 ^{+.000} _{-.014}	4.000 ^{+.003} _{+.000}	.272 ^{+.002} _{-.003}	.090 ±.003	17.66

PISTON SEAL ASSEMBLIES

STYLE PS2700 POLYURETHANE PISTON SEALS



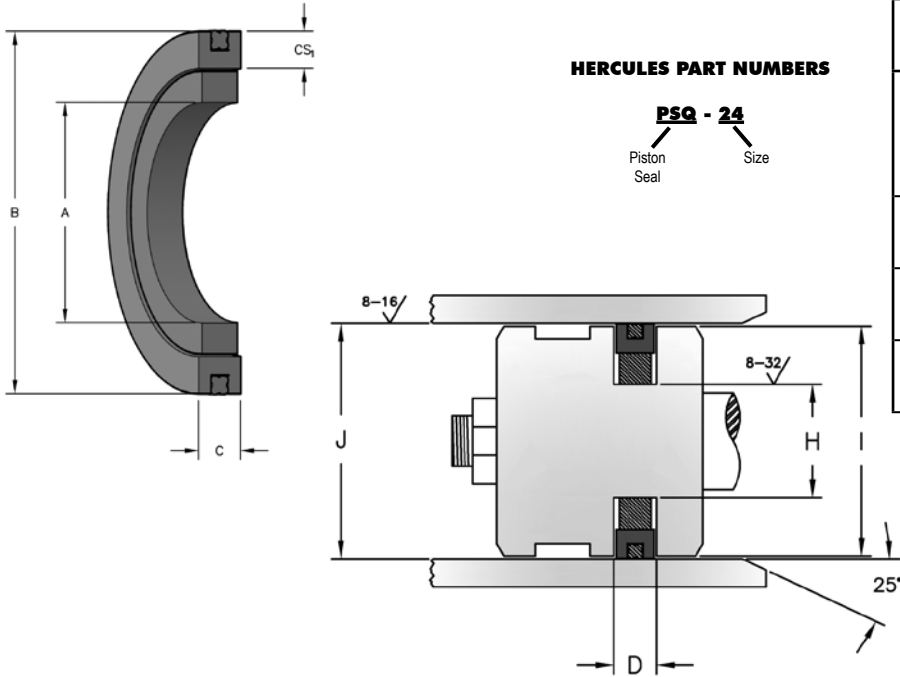
Part Number	A Nom. ID	B Nom. OD	C Nom. Ht	D GROOVE WIDTH	H GROOVE DIAMETER	I PISTON DIAMETER	J BORE DIAMETER	C HEIGHT	CS ₁ RING CROSS SECTION	List Price
PS2700-68	3.712	4-1/4	.272	.283 ±.003	3.712 ±.003	4.249 ^{+0.000} _{-.014}	4.250 ^{+0.003} _{+.000}	.272 ^{+0.002} _{-.003}	.090 ±.003	17.77
PS2700-72	3.962	4-1/2	.272	.283 ±.003	3.962 ±.003	4.499 ^{+0.000} _{-.014}	4.500 ^{+0.003} _{+.000}	.272 ^{+0.002} _{-.003}	.090 ±.003	18.34
PS2700-76	4.212	4-3/4	.272	.283 ±.003	4.212 ±.003	4.749 ^{+0.000} _{-.014}	4.750 ^{+0.004} _{+.000}	.272 ^{+0.002} _{-.003}	.090 ±.003	19.00
PS2700-80	4.462	5	.272	.283 ±.003	4.462 ±.003	4.999 ^{+0.000} _{-.014}	5.000 ^{+0.004} _{+.000}	.272 ^{+0.002} _{-.003}	.090 ±.003	21.82
PS2700-84	4.504	5-1/4	.365	.378 ±.004	4.504 ±.003	5.249 ^{+0.000} _{-.014}	5.250 ^{+0.004} _{+.000}	.365 ^{+0.002} _{-.003}	.142 ±.005	30.45
PS2700-88	4.754	5-1/2	.365	.378 ±.004	4.754 ±.003	5.499 ^{+0.000} _{-.014}	5.500 ^{+0.004} _{+.000}	.365 ^{+0.002} _{-.003}	.142 ±.005	30.72
PS2700-96	5.254	6	.365	.378 ±.004	5.254 ±.003	5.999 ^{+0.000} _{-.014}	6.000 ^{+0.004} _{+.000}	.365 ^{+0.002} _{-.003}	.142 ±.005	32.09
PS2700-100	5.504	6-1/4	.365	.378 ±.004	5.504 ±.003	6.249 ^{+0.000} _{-.014}	6.250 ^{+0.004} _{+.000}	.365 ^{+0.002} _{-.003}	.142 ±.005	33.05
PS2700-104	5.754	6-1/2	.365	.378 ±.004	5.754 ±.003	6.499 ^{+0.000} _{-.014}	6.500 ^{+0.004} _{+.000}	.365 ^{+0.002} _{-.003}	.142 ±.005	33.08
PS2700-112	6-1/4	7	.365	.378 ±.004	6.250 ±.003	6.999 ^{+0.000} _{-.014}	7.000 ^{+0.004} _{+.000}	.365 ^{+0.002} _{-.003}	.142 ±.005	33.59
PS2700-116	6.504	7-1/4	.365	.378 ±.004	6.504 ±.003	7.249 ^{+0.000} _{-.014}	7.250 ^{+0.005} _{+.000}	.365 ^{+0.002} _{-.003}	.142 ±.005	34.53
PS2700-128	7.254	8	.365	.378 ±.004	7.254 ±.004	7.999 ^{+0.000} _{-.014}	8.000 ^{+0.005} _{+.000}	.365 ^{+0.002} _{-.003}	.142 ±.005	35.33
PS2700-136	7.754	8-1/2	.365	.378 ±.004	7.754 ±.004	8.499 ^{+0.000} _{-.014}	8.500 ^{+0.005} _{+.000}	.365 ^{+0.002} _{-.003}	.142 ±.005	40.26
PS2700-144	8.137	9	.365	.378 ±.004	8.137 ±.004	8.999 ^{+0.000} _{-.014}	9.000 ^{+0.005} _{+.000}	.365 ^{+0.002} _{-.003}	.203 ^{+0.007} _{-.008}	82.40
PS2700-160	9.137	10	.365	.378 ±.004	9.137 ±.004	9.999 ^{+0.000} _{-.014}	10.000 ^{+0.005} _{+.000}	.365 ^{+0.002} _{-.003}	.203 ^{+0.007} _{-.008}	97.30

PISTON SEAL ASSEMBLIES

STYLE PSQ BRONZE FILLED PISTON SEALS

These piston seals provide bi-directional, low friction sealing with increased stability and superior leakage control. The square cut energizer provides low pressure sealing and eliminates backside leakage. This seal also effectively seals between different fluids on each side of the piston seal, making gas/liquid sealing combinations possible.

NOTE: Piston diameter "I" dimensions are given for pistons without wear rings.



SEAL INFORMATION	
MATERIAL	40% BRONZE FILLED PTFE SEAL RUBBER ENERGIZER AND QUAD® RING
TEMPERATURE RANGE	-40° TO +250° F
PRESSURE RANGE	0 TO 5,000 PSI
SPEED	6 FT/SEC

MAXIMUM EXTRUSION GAP			
PRESSURE	1000 PSI	3000 PSI	5000 PSI
MAX DIAM. GAP BORE 1-1/2" - 5"	0.024"	0.008"	0.005"
MAX DIAM. GAP BORE 6" - 10"	0.030"	0.010"	0.006"

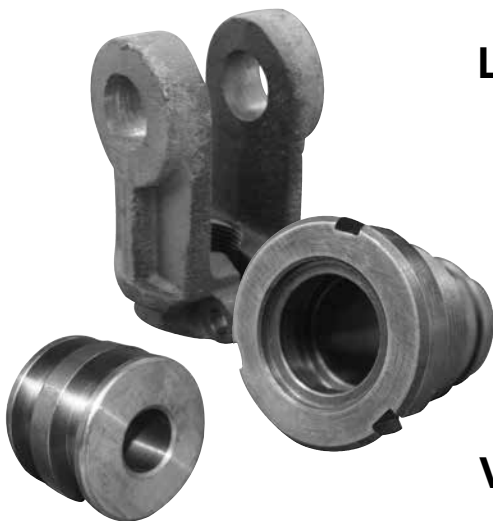
Part Number	A Nom. ID	B Nom. OD	C Nom. Ht	C WIDTH	D GROOVE WIDTH	H GROOVE DIAMETER	I PISTON DIAMETER	J BORE DIAMETER	CS ₁ RING CROSS SECTION	List Price
PSQ-24	.884	1-1/2	.271	.270 ±.005	.288 +.005 +.000	.884 +.000 -.003	1.499 +.000 -.002	1.500 +.002 +.000	.130 ±.005	\$49.30
PSQ-28	1.134	1-3/4	.27	.270 ±.005	.290 ±.002	1.134 ±.003	1.749 +.000 -.002	1.750 +.002 +.000	.130 ±.005	57.20
PSQ-32	1.384	2	.271	.270 ±.005	.288 +.005 +.000	1.384 +.000 -.003	1.999 +.000 -.002	2.000 +.002 +.000	.130 ±.005	64.11
PSQ-36	1.634	2-1/4	.271	.270 ±.005	.288 +.005 +.000	1.634 +.000 -.003	2.249 +.000 -.002	2.250 +.002 +.000	.130 ±.005	66.33
PSQ-40	1.884	2-1/2	.271	.270 ±.005	.288 +.005 +.000	1.884 +.000 -.003	2.499 +.000 -.002	2.500 +.002 +.000	.130 ±.005	69.89
PSQ-44	2.134	2-3/4	.271	.270 ±.005	.288 +.005 +.000	2.134 +.000 -.003	2.749 +.000 -.002	2.750 +.002 +.000	.130 ±.005	72.65
PSQ-48	2.384	3	.271	.270 ±.005	.288 +.005 +.000	2.384 +.000 -.003	2.999 +.000 -.002	3.000 +.002 +.000	.130 ±.005	75.43
PSQ-52	2.634	3-1/4	.271	.270 ±.005	.288 +.005 +.000	2.634 +.000 -.003	3.249 +.000 -.002	3.250 +.002 +.000	.130 ±.005	79.71
PSQ-56	2.884	3-1/2	.271	.270 ±.005	.288 +.005 +.000	2.884 +.000 -.003	3.499 +.000 -.002	3.500 +.002 +.000	.130 ±.005	81.33

STYLE PSQ BRONZE FILLED PISTON SEALS



Part Number	A Nom. ID	B Nom. OD	C Nom. Ht	C WIDTH	D GROOVE WIDTH	H GROOVE DIAMETER	I PISTON DIAMETER	J BORE DIAMETER	CS ₁ RING CROSS SECTION	List Price
PSQ-64	3.384	4	.271	.270 ±.005	.288 ^{+.005} / _{+.000}	3.384 ^{+.000} / _{-.003}	3.999 ^{+.000} / _{-.002}	4.000 ^{+.002} / _{+.000}	.130 ±.005	81.62
PSQ-68	3.634	4-1/4	.271	.270 ±.005	.288 ^{+.005} / _{+.000}	3.634 ^{+.000} / _{-.003}	4.249 ^{+.000} / _{-.002}	4.250 ^{+.002} / _{+.000}	.130 ±.005	87.18
PSQ-72	3.884	4-1/2	.271	.270 ±.005	.288 ^{+.005} / _{+.000}	3.884 ^{+.000} / _{-.003}	4.499 ^{+.000} / _{-.002}	4.500 ^{+.002} / _{+.000}	.130 ±.005	92.74
PSQ-80	4.384	5	.271	.270 ±.005	.288 ^{+.005} / _{+.000}	4.384 ^{+.000} / _{-.006}	4.998 ^{+.000} / _{-.004}	5.000 ^{+.004} / _{+.000}	.130 ±.005	100.45
PSQ-88	4.66	5-1/2	.362	.362 ±.005	.375 ^{+.005} / _{+.000}	4.660 ^{+.000} / _{-.006}	5.498 ^{+.000} / _{-.004}	5.500 ^{+.004} / _{+.000}	.195 ±.005	122.32
PSQ-92	4.91	5-3/4	.362	.362 ±.005	.378 ±.002	4.910 ^{+.000} / _{-.005}	5.748 ^{+.000} / _{-.004}	5.750 ^{+.005} / _{+.000}	.195 ±.005	131.68
PSQ-96	5.16	6	.362	.362 ±.005	.375 ^{+.005} / _{+.000}	5.160 ^{+.000} / _{-.006}	5.998 ^{+.000} / _{-.004}	6.000 ^{+.004} / _{+.000}	.195 ±.005	131.69
PSQ-104	5.66	6-1/2	.362	.362 ±.005	.375 ^{+.005} / _{+.000}	5.660 ^{+.000} / _{-.006}	6.498 ^{+.000} / _{-.004}	6.500 ^{+.004} / _{+.000}	.195 ±.005	160.05
PSQ-112	6.16	7	.362	.362 ±.005	.375 ^{+.005} / _{+.000}	6.160 ^{+.000} / _{-.006}	6.998 ^{+.000} / _{-.004}	7.000 ^{+.004} / _{+.000}	.195 ±.005	141.93
PSQ-128	7.16	8	.362	.362 ±.005	.375 ^{+.005} / _{+.000}	7.160 ^{+.000} / _{-.006}	7.998 ^{+.000} / _{-.004}	8.000 ^{+.004} / _{+.000}	.195 ±.005	155.73
PSQ-144	8.16	9	.362	.362 ±.005	.375 ^{+.005} / _{+.000}	8.160 ^{+.000} / _{-.006}	8.998 ^{+.000} / _{-.004}	9.000 ^{+.004} / _{+.000}	.195 ±.005	106.46
PSQ-160	9.16	10	.362	.362 ±.005	.375 ^{+.005} / _{+.000}	9.160 ^{+.000} / _{-.006}	9.998 ^{+.000} / _{-.004}	10.000 ^{+.004} / _{+.000}	.195 ±.005	181.85

Seal color may vary. Special order sizes are available. Sizes not shown and out of stock items can also be ordered for next day delivery through Seals On Demand, our custom seal program. Please call your regional sales team for assistance.



Hercules Offers a Complete Line of Cylinder Repair Parts for Mobile and Industrial Applications.

Stock Includes Cylinder Glands, Caps, Heads and Pistons.

View the Complete Inventory in the Cylinder and Repair Parts Catalog or Online at www.HerculesUS.com

DESIGN YOUR CUSTOM SEALS ONLINE TODAY!

BENEFITS

- Design Your Custom Seal Immediately
- Instantly Receive Quote & Availability
- Provides Drawings & Technical Specifications to Ensure Best Results
- Send Customized Quotes to Your Customers
- Choose from Imperial or Metric Dimensions



FEATURES

- Large inventory of high quality materials in stock
- Various profiles available such as: Rod Seals, Piston Seals, Rotary Seals, Guide Rings, Wipers, O-Rings, Back-Up Rings and More!
- Saved Profile Quotes Accessible to Edit, Add to Cart, Add Notes or Send Directly to Your Customer
- Easily Add Your Custom Seal To Your Shopping Cart

HOW TO USE

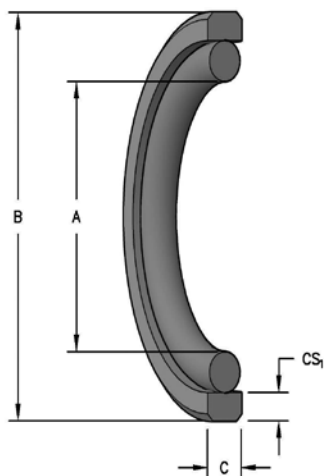
- Go to www.HerculesUS.com
- Click on Custom Seals in Top Banner*
- Start Designing Your Custom Seal

**You must be logged into Hercules webstore to use the configurator. If you are a new customer, click on "Register" in the upper right corner to create your Hercules login.*

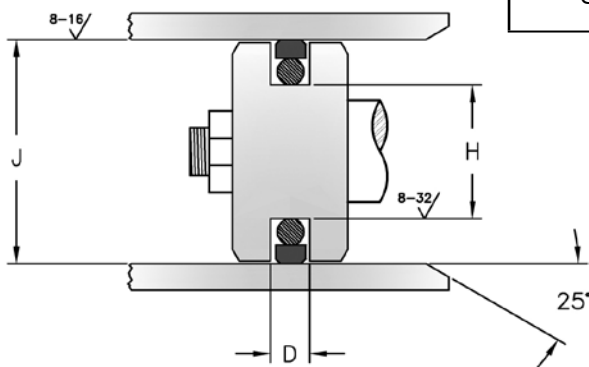
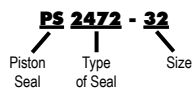
STYLE PS2470 BRONZE FILLED PTFE PISTON SEALS



Molded from a PTFE base material with 40% bronze and machined to exacting tolerances, this seal exhibits low friction and high strength corners are chamfered for cold flow resistance.



HERCULES PART NUMBERS



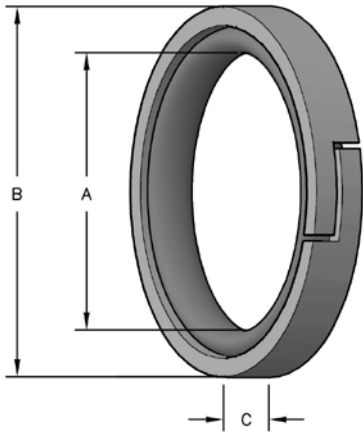
SEAL INFORMATION	
MATERIAL	40% BRONZE FILLE PTFE RUBBER ENER- GIZER
TEMPERATURE RANGE	-40° TO +220° F
PRESSURE RANGE	0 TO 5,000 PSI
SPEED	12 FT/SEC

PISTON SEAL ASSEMBLIES

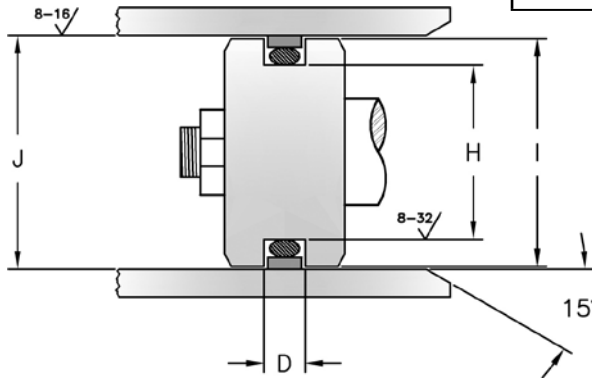
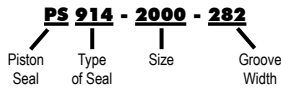
Part Number	A Nom. ID	B Nom. OD	C Nom. Ht	D GROOVE WIDTH	H GROOVE DIAMETER	J BORE DIAMETER	C HEIGHT	CS ₁ RING CROSS SECTION	List Price
PS2472-32	1-9/16	2	.15	.168 ±.002	1.576 ±.002	2.000	.150	.100	\$19.27
PS2472-40	2-1/16	2-1/2	.15	.168 ±.002	2.076 ±.002	2.500	.150	.100	20.41
PS2472-44	2-5/16	2-3/4	.15	.168 ±.002	2.326 ±.002	2.750	.150	.100	28.01
PS2472-48	2-9/16	3	.15	.168 ±.002	2.576 ±.002	3.000	.150	.100	22.56
PS2473-52	2-5/8	3-1/4	.225	.249 ±.002	2.634 ±.003	3.250	.225	.140	36.04
PS2473-56	2-7/8	3-1/2	.225	.249 ±.002	2.884 ±.003	3.500	.225	.140	37.09
PS2473-64	3-3/8	4	.225	.249 ±.002	3.384 ±.003	4.000	.225	.140	40.97
PS2473-68	3-5/8	4-1/4	.225	.249 ±.002	3.634 ±.003	4.250	.225	.145	38.93
PS2473-72	3-7/8	4-1/2	.225	.249 ±.002	3.884 ±.003	4.500	.225	.140	47.71
PS2473-80	4-3/8	5	.225	.249 ±.002	4.384 ±.003	5.000	.225	.140	48.73
PS2474-88	4-21/32	5-1/2	.29	.322 ±.002	4.670 ±.004	5.500	.290	.195	64.11
PS2474-96	5-5/32	6	.29	.322 ±.002	5.170 ±.004	6.000	.290	.195	73.37
PS2473-96	5-3/8	6	.225	.249 ±.002	5.384 ±.004	6.000	.225	.140	58.92
PS2474-104	5-21/32	6-1/2	.29	.322 ±.002	5.670 ±.004	6.500	.290	.195	75.24
PS2474-112	6-5/32	7	.29	.322 ±.002	6.170 ±.004	7.000	.290	.195	78.57
PS2474-120	6-21/32	7-1/2	.29	.322 ±.002	6.670 ±.004	7.500	.290	.195	85.31
PS2474-128	7-5/32	8	.29	.322 ±.002	7.170 ±.004	8.000	.290	.195	89.30
PS2474-152	8-21/32	9-1/2	.29	.322 ±.002	8.670 ±.004	9.500	.290	.195	105.82
PS2474-160	9-5/32	10	.29	.322 ±.002	9.170 ±.004	10.000	.290	.195	150.00

STYLE PS914 NYLON STEP CUT PISTON SEALS

NOTE: Piston diameter "I" dimensions are given for pistons without wear rings.



HERCULES PART NUMBERS



SEAL INFORMATION	
MATERIAL	GLASS FILLED NYLON SEAL RUBBER ENERGIZER
TEMPERATURE RANGE	-40° TO +220°
PRESSURE RANGE	0 TO 6,000 PSI
SPEED	3 FT/SEC

PISTON SEAL ASSEMBLIES

Part Number	A Nom. ID	B Nom. OD	C Nom. Ht	D GROOVE WIDTH	H GROOVE DIAMETER	I PISTON DIAMETER	J BORE DIAMETER	C HEIGHT	List Price
PS914-2000-282	1.462	2	9/32	.282 +.005 +.000	1.462 +.000 -.005	1.999 +.000 -.065	2.000 +.005 +.000	.274	\$85.45
PS914-2250-282	1.712	2-1/4	9/32	.282 +.005 +.000	1.712 +.000 -.005	2.249 +.000 -.065	2.250 +.005 +.000	.274	88.19
PS914-2500-312	1.908	2-1/2	5/16	.312 +.005 +.000	1.908 +.000 -.005	2.499 +.000 -.065	2.500 +.005 +.000	.304	103.71
PS914-2500-282	1.962	2-1/2	9/32	.282 +.005 +.000	1.962 +.000 -.005	2.499 +.000 -.065	2.500 +.005 +.000	.274	89.46
PS914-2750-282	2.212	2-3/4	9/32	.282 +.005 +.000	2.212 +.000 -.005	2.749 +.000 -.065	2.750 +.005 +.000	.274	91.74
PS914-3000-312	2.408	3	5/16	.312 +.005 +.000	2.408 +.000 -.005	2.999 +.000 -.080	3.000 +.005 +.000	.304	104.96
PS914-3000-282	2.442	3	9/32	.282 +.005 +.000	2.442 +.000 -.005	2.999 +.000 -.080	3.000 +.005 +.000	.274	107.46
PS914-3500-312	2.908	3-1/2	5/16	.312 +.005 +.000	2.908 +.000 -.005	3.499 +.000 -.080	3.500 +.005 +.000	.304	127.60
PS914-3500-282	2.942	3-1/2	9/32	.282 +.005 +.000	2.942 +.000 -.005	3.499 +.000 -.080	3.500 +.005 +.000	.274	124.27
PS914-4000-312	3.408	4	5/16	.312 +.005 +.000	3.408 +.000 -.005	3.999 +.000 -.080	4.000 +.005 +.000	.304	133.52
PS914-4000-282	3.442	4	9/32	.282 +.005 +.000	3.442 +.000 -.005	3.999 +.000 -.080	4.000 +.005 +.000	.274	126.94
PS914-4250-282	3.692	4-1/4	9/32	.282 +.005 +.000	3.692 +.000 -.005	4.249 +.000 -.080	4.250 +.005 +.000	.274	108.17
PS914-4265-282	3.707	4.265	9/32	.282 +.005 +.000	3.707 +.000 -.005	4.264 +.000 -.080	4.265 +.005 +.000	.274	140.78
PS914-4500-312	3.908	4-1/2	5/16	.312 +.005 +.000	3.908 +.000 -.005	4.499 +.000 -.080	4.500 +.005 +.000	.304	142.54
PS914-4500-282	3.942	4-1/2	9/32	.282 +.005 +.000	3.942 +.000 -.005	4.499 +.000 -.080	4.500 +.005 +.000	.274	144.00

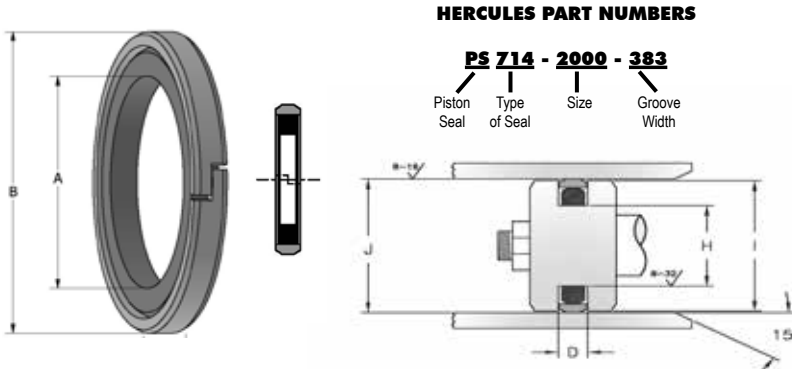
STYLE PS914 NYLON STEP CUT PISTON SEALS

PISTON SEAL ASSEMBLIES

Part Number	A Nom. ID	B Nom. OD	C Nom. Ht	D GROOVE WIDTH	H GROOVE DIAMETER	I PISTON DIAMETER	J BORE DIAMETER	C HEIGHT	List Price
PS914-4750-282	4.192	4-3/4	9/32	.282 ^{+0.005} / _{+0.000}	4.192 ^{+0.000} / _{-.005}	4.749 ^{+0.000} / _{-.080}	4.750 ^{+0.005} / _{+0.000}	.274	140.13
PS914-5000-375	4.24	5	3/8	.377 ^{+0.005} / _{+0.000}	4.240 ^{+0.000} / _{-.005}	4.999 ^{+0.000} / _{-.080}	5.000 ^{+0.005} / _{+0.000}	.368	167.67
PS914-5000-282	4.442	5	9/32	.282 ^{+0.005} / _{+0.000}	4.442 ^{+0.000} / _{-.005}	4.999 ^{+0.000} / _{-.080}	5.000 ^{+0.005} / _{+0.000}	.274	140.68
PS914-5250-375	4.49	5-1/4	3/8	.377 ^{+0.005} / _{+0.000}	4.490 ^{+0.000} / _{-.005}	5.249 ^{+0.000} / _{-.100}	5.250 ^{+0.005} / _{+0.000}	.368	167.67
PS914-5250-282	4.692	5-1/4	9/32	.282 ^{+0.005} / _{+0.000}	4.692 ^{+0.000} / _{-.005}	5.249 ^{+0.000} / _{-.080}	5.250 ^{+0.005} / _{+0.000}	.274	161.86
PS914-5500-375	4.74	5-1/2	3/8	.377 ^{+0.005} / _{+0.000}	4.740 ^{+0.000} / _{-.005}	5.499 ^{+0.000} / _{-.100}	5.500 ^{+0.005} / _{+0.000}	.368	167.67
PS914-6000-375	5.24	6	3/8	.377 ^{+0.005} / _{+0.000}	5.240 ^{+0.000} / _{-.005}	5.999 ^{+0.000} / _{-.100}	6.000 ^{+0.005} / _{+0.000}	.368	177.86
PS914-6500-375	5.74	6-1/2	3/8	.377 ^{+0.005} / _{+0.000}	5.740 ^{+0.000} / _{-.005}	6.499 ^{+0.000} / _{-.100}	6.500 ^{+0.005} / _{+0.000}	.368	179.27
PS914-7000-375	6.24	7	3/8	.377 ^{+0.005} / _{+0.000}	6.240 ^{+0.000} / _{-.005}	6.999 ^{+0.000} / _{-.100}	7.000 ^{+0.005} / _{+0.000}	.368	180.07
PS914-7500-375	6.74	7-1/2	3/8	.377 ^{+0.005} / _{+0.000}	6.740 ^{+0.000} / _{-.005}	7.499 ^{+0.000} / _{-.100}	7.500 ^{+0.005} / _{+0.000}	.368	183.64
PS914-8000-375	7.24	8	3/8	.377 ^{+0.005} / _{+0.000}	7.240 ^{+0.000} / _{-.005}	7.999 ^{+0.000} / _{-.100}	8.000 ^{+0.005} / _{+0.000}	.368	185.57
PS914-8500-375	7.74	8-1/2	3/8	.377 ^{+0.005} / _{+0.000}	7.740 ^{+0.000} / _{-.005}	8.499 ^{+0.000} / _{-.100}	8.500 ^{+0.005} / _{+0.000}	.368	187.81
PS914-9000-375	8.124	9	3/8	.377 ^{+0.005} / _{+0.000}	8.124 ^{+0.000} / _{-.005}	8.999 ^{+0.000} / _{-.100}	9.000 ^{+0.005} / _{+0.000}	.368	331.06
PS914-9500-375	8.624	9-1/2	3/8	.377 ^{+0.005} / _{+0.000}	8.624 ^{+0.000} / _{-.005}	9.499 ^{+0.000} / _{-.100}	9.500 ^{+0.005} / _{+0.000}	.368	360.62
PS914-10000-375	9.124	10	3/8	.377 ^{+0.005} / _{+0.000}	9.124 ^{+0.000} / _{-.005}	9.999 ^{+0.000} / _{-.100}	10.000 ^{+0.005} / _{+0.000}	.368	414.31
PS914-12000-375	11.124	12	3/8	.377 ^{+0.005} / _{+0.000}	11.124 ^{+0.000} / _{-.005}	11.999 ^{+0.000} / _{-.100}	12.000 ^{+0.005} / _{+0.000}	.368	217.57

STYLE PS714 NYLON STEP CUT PISTON SEALS

This two piece piston seal design comes made with a heat-stabilized, thermoplastic step-cut ring along with a profiled NBR energizer. This product offers extreme strength and resistance to extrusion, a very high resistance to abrasion, and ease of installation thanks to the step cut design and chamfered edges. The design also allows the seal to pass over ports without damage and offers greater resistance to surface roughness in comparison to any elastomer seals. The profiled energizer offers improved dynamic sealing ability, responding quickly to pressure changes and providing excellent sealing characteristics under a wide range of pressure conditions.



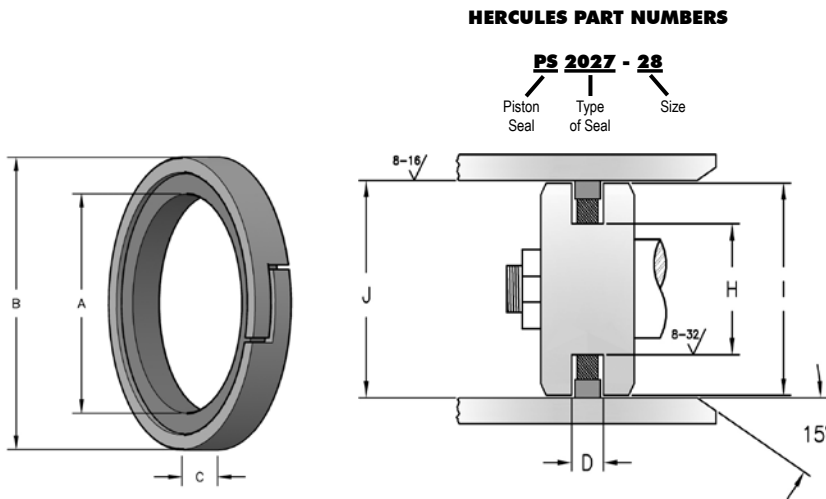
SEAL INFORMATION	
MATERIAL	GLASS FILLED NYLON SEAL RUBBER ENERGIZER
TEMPERATURE RANGE	-40° TO +230°F
PRESSURE RANGE	0 TO 7,250 PSI
SPEED	3 FT/SEC

PISTON SEAL ASSEMBLIES

Part Number	A Nom. ID	B Nom. OD	C Nom. Ht	D GROOVE WIDTH	H GROOVE DIAMETER	I PISTON DIAMETER	J BORE DIAMETER	List Price
PS714-1750-282	1.212	1-3/4	9/32	.282 ^{+0.08} / _{+0.00}	1.212 ^{+0.00} / _{-0.002}	1.749 ^{+0.00} / _{-0.065}	1.750 ^{+0.002} / _{+0.000}	\$21.96
PS714-2000-282	1.462	2	9/32	.282 ^{+0.08} / _{+0.00}	1.462 ^{+0.00} / _{-0.002}	1.999 ^{+0.00} / _{-0.065}	2.000 ^{+0.003} / _{+0.000}	33.93
PS714-2250-282	1.712	2-1/4	9/32	.282 ^{+0.08} / _{+0.00}	1.712 ^{+0.00} / _{-0.002}	2.249 ^{+0.00} / _{-0.065}	2.250 ^{+0.003} / _{+0.000}	36.11
PS714-2500-282	1.962	2-1/2	9/32	.282 ^{+0.08} / _{+0.00}	1.962 ^{+0.00} / _{-0.002}	2.499 ^{+0.00} / _{-0.065}	2.500 ^{+0.003} / _{+0.000}	40.71
PS714-3000-312	2.408	3	5/16	.312 ^{+0.08} / _{+0.00}	2.408 ^{+0.00} / _{-0.003}	2.999 ^{+0.00} / _{-0.080}	3.000 ^{+0.003} / _{+0.000}	42.91
PS714-3000-282	2.442	3	9/32	.282 ^{+0.08} / _{+0.00}	2.442 ^{+0.00} / _{-0.003}	2.999 ^{+0.00} / _{-0.080}	3.000 ^{+0.003} / _{+0.000}	39.77
PS714-3250-282	2.692	3-1/4	9/32	.282 ^{+0.08} / _{+0.00}	2.692 ^{+0.00} / _{-0.003}	3.249 ^{+0.00} / _{-0.080}	3.250 ^{+0.003} / _{+0.000}	43.84
PS714-3500-312	2.908	3-1/2	5/16	.312 ^{+0.08} / _{+0.00}	2.908 ^{+0.00} / _{-0.003}	3.499 ^{+0.00} / _{-0.080}	3.500 ^{+0.003} / _{+0.000}	46.96
PS714-3500-282	2.942	3-1/2	9/32	.282 ^{+0.08} / _{+0.00}	2.942 ^{+0.00} / _{-0.003}	3.499 ^{+0.00} / _{-0.080}	3.500 ^{+0.003} / _{+0.000}	42.58
PS714-4000-312	3.408	4	5/16	.312 ^{+0.08} / _{+0.00}	3.408 ^{+0.00} / _{-0.003}	3.999 ^{+0.00} / _{-0.080}	4.000 ^{+0.003} / _{+0.000}	49.75
PS714-4000-282	3.442	4	9/32	.282 ^{+0.08} / _{+0.00}	3.442 ^{+0.00} / _{-0.003}	3.999 ^{+0.00} / _{-0.080}	4.000 ^{+0.003} / _{+0.000}	45.70
PS714-4250-282	3.692	4-1/4	.282	.282 ^{+0.08} / _{+0.00}	3.692 ^{+0.00} / _{-0.003}	4.249 ^{+0.00} / _{-0.080}	4.250 ^{+0.003} / _{+0.000}	47.88
PS714-4250-375	3.692	4-1/4	.377	.377 ^{+0.08} / _{+0.00}	3.692 ^{+0.00} / _{-0.003}	4.249 ^{+0.00} / _{-0.080}	4.250 ^{+0.003} / _{+0.000}	25.03
PS714-4500-312	3.908	4-1/2	5/16	.312 ^{+0.08} / _{+0.00}	3.908 ^{+0.00} / _{-0.003}	4.499 ^{+0.00} / _{-0.080}	4.500 ^{+0.003} / _{+0.000}	62.12
PS714-4500-282	3.942	4-1/2	9/32	.282 ^{+0.08} / _{+0.00}	3.942 ^{+0.00} / _{-0.003}	4.499 ^{+0.00} / _{-0.080}	4.500 ^{+0.003} / _{+0.000}	48.51
PS714-5000-375	4.24	5	3/8	.375 ^{+0.08} / _{+0.00}	4.240 ^{+0.00} / _{-0.003}	4.999 ^{+0.00} / _{-0.080}	5.000 ^{+0.004} / _{+0.000}	65.86
PS714-5000-282	4.442	5	9/32	.282 ^{+0.08} / _{+0.00}	4.442 ^{+0.00} / _{-0.003}	4.999 ^{+0.00} / _{-0.080}	5.000 ^{+0.004} / _{+0.000}	63.17
PS714-5500-375	4.74	5-1/2	3/8	.375 ^{+0.08} / _{+0.00}	4.740 ^{+0.00} / _{-0.004}	5.499 ^{+0.00} / _{-0.100}	5.500 ^{+0.004} / _{+0.000}	71.52
PS714-5500-282	4.938	5-1/2	9/32	.282 ^{+0.08} / _{+0.00}	4.938 ^{+0.00} / _{-0.004}	5.499 ^{+0.00} / _{-0.100}	5.500 ^{+0.004} / _{+0.000}	79.79
PS714-6000-375	5.24	6	3/8	.375 ^{+0.08} / _{+0.00}	5.240 ^{+0.00} / _{-0.004}	5.999 ^{+0.00} / _{-0.100}	6.000 ^{+0.004} / _{+0.000}	60.94
PS714-6250-282	5.688	6-1/4	9/32	.282 ^{+0.08} / _{+0.00}	5.688 ^{+0.00} / _{-0.004}	6.249 ^{+0.00} / _{-0.100}	6.250 ^{+0.004} / _{+0.000}	90.34
PS714-6500-375	5.74	6-1/2	3/8	.375 ^{+0.08} / _{+0.00}	5.740 ^{+0.00} / _{-0.004}	6.499 ^{+0.00} / _{-0.100}	6.500 ^{+0.004} / _{+0.000}	115.09
PS714-7000-375	6.24	7	3/8	.375 ^{+0.08} / _{+0.00}	6.240 ^{+0.00} / _{-0.004}	6.999 ^{+0.00} / _{-0.100}	7.000 ^{+0.004} / _{+0.000}	150.59

STYLE PS2000 NYLON STEP CUT PISTON SEALS

Some PS2000 piston seals utilize a round instead of a square energizer. Also, piston diameter "I" dimensions are given for pistons without wear rings. Many sizes shown are completely interchangeable with style PS914 piston seals.

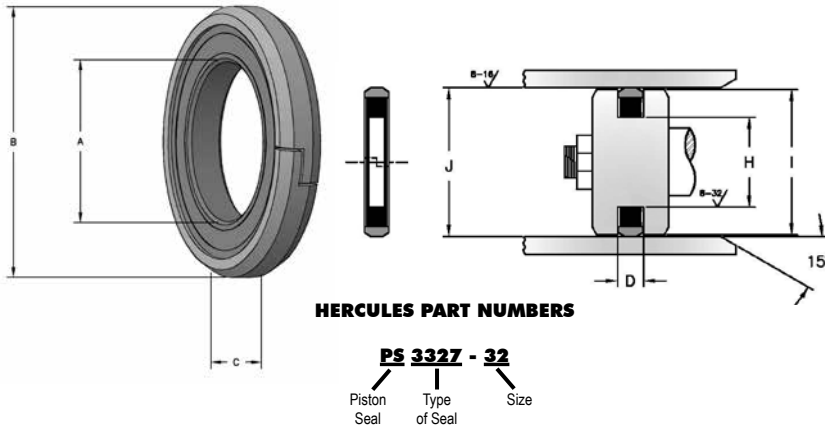


SEAL INFORMATION	
MATERIAL	GLASS FILLED NYLON SEAL RUBBER ENERGIZER
TEMPERATURE RANGE	-40° TO +220°
PRESSURE RANGE	0 TO 5,000 PSI
SPEED	3 FT/SEC

Part Number	A Nom. ID	B Nom. OD	C Nom. Ht	D GROOVE WIDTH	H GROOVE DIAMETER	I PISTON DIAMETER	J BORE DIAMETER	List Price
PS2027-28	1.155	1-3/4	.274	.282 +.005 +.000	1.155 +.000 -.005	1.749 +.000 -.052	1.750 +.005 +.000	\$ 16.64
PS2027-48	2.462	3.04	.274	.282 +.005 +.000	2.462 +.000 -.005	2.999 -.080 +.000	3.000 +.041 +.000	30.14
PS2027-52	2.712	3-1/4	.274	.282 +.005 +.000	2.712 +.000 -.005	3.249 +.000 -.080	3.250 +.005 +.000	33.23
PS2037-56	2.74	3-1/2	.368	.375 +.005 +.000	2.740 +.000 -.005	3.499 +.000 -.080	3.500 +.005 +.000	35.59
PS2027-64	3.462	4	.274	.282 +.005 +.000	3.462 +.000 -.005	3.999 +.000 -.080	4.000 +.005 +.000	34.63
PS2027-72	3.962	4-1/2	.274	.282 +.005 +.000	3.962 +.000 -.005	4.499 +.000 -.080	4.500 +.005 +.000	36.77
PS2037-80	4.24	5	.368	.375 +.005 +.000	4.240 +.000 -.005	4.999 +.000 -.080	5.000 +.005 +.000	49.92
PS2031-80	4.408	5	.305	.312 +.005 +.000	4.408 +.000 -.005	4.999 +.000 -.080	5.000 +.005 +.000	49.92
PS2031-88	4.908	5-1/2	.305	.312 +.005 +.000	4.908 +.000 -.005	5.499 +.000 -.100	5.500 +.005 +.000	54.22
PS2037-100	5.49	6-1/4	.368	.375 +.005 +.000	5.490 +.000 -.005	6.249 +.000 -.100	6.250 +.005 +.000	192.10
PS2037-112	6.24	7	.368	.375 +.005 +.000	6.240 +.000 -.005	6.999 +.000 -.100	7.000 +.005 +.000	114.16

STYLE PS3300 NYLON STEP CUT PISTON SEALS

This two piece piston seal design comes made with a new high grade fiberglass filled polyamide step-cut ring along with a rectangular shore A 70 NBR energizer. This product offers extreme strength and resistance to extrusion, a very high resistance to abrasion, and ease of installation thanks to the step cut design and chamfered edges. It also offers greater resistance to surface roughness in comparison to any elastomer seals. The rectangular contact pressure points produce consistently high pre-loading forces and high protection from twisting within the housing. ISO 7425-1 compliant.

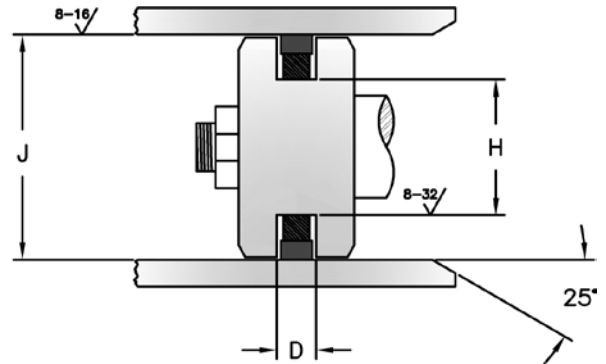
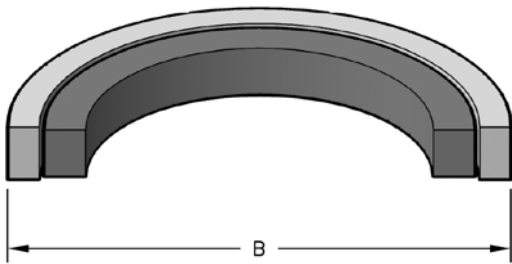


SEAL INFORMATION	
MATERIAL	GLASS FILLED NYLON W/RUBBER ENERGIZER
TEMPERATURE RANGE	-22° TO +212° F
PRESSURE RANGE	0 TO 8,700 PSI
SPEED	3 FT/SEC

Part Number	A Nom. ID	B Nom. OD	C Nom. Ht	D GROOVE WIDTH	H GROOVE DIAMETER	I PISTON DIAMETER	J BORE DIAMETER	List Price
PS3327-32	1.462	2	.274	.282 ^{+0.005} / _{+0.000}	1.462 ^{+0.000} / _{-0.005}	1.999 ^{+0.000} / _{-0.065}	2.000 ^{+0.005} / _{+0.000}	\$50.65
PS3327-40	1.962	2-1/2	.274	.282 ^{+0.005} / _{+0.000}	1.962 ^{+0.000} / _{-0.005}	2.499 ^{+0.000} / _{-0.065}	2.500 ^{+0.005} / _{+0.000}	53.02
PS3331-48	2.408	3	.305	.312 ^{+0.005} / _{+0.000}	2.408 ^{+0.000} / _{-0.005}	2.999 ^{+0.000} / _{-0.080}	3.000 ^{+0.005} / _{+0.000}	62.20
PS3327-48	2.442	3	.274	.282 ^{+0.005} / _{+0.000}	2.442 ^{+0.000} / _{-0.005}	2.999 ^{+0.000} / _{-0.080}	3.000 ^{+0.005} / _{+0.000}	65.10
PS3328-52	2.692	3-1/4	.275	.282 ^{+0.008} / _{+0.000}	2.692 ^{+0.000} / _{-0.003}	3.249 ^{+0.000} / _{-0.080}	3.250 ^{+0.003} / _{+0.000}	67.01
PS3331-56	2.908	3-1/2	.305	.312 ^{+0.005} / _{+0.000}	2.908 ^{+0.000} / _{-0.005}	3.499 ^{+0.000} / _{-0.080}	3.500 ^{+0.005} / _{+0.000}	75.59
PS3327-56	2.942	3-1/2	.274	.282 ^{+0.005} / _{+0.000}	2.942 ^{+0.000} / _{-0.005}	3.499 ^{+0.000} / _{-0.080}	3.500 ^{+0.005} / _{+0.000}	71.12
PS3331-64	3.408	4	.305	.312 ^{+0.005} / _{+0.000}	3.408 ^{+0.000} / _{-0.005}	3.999 ^{+0.000} / _{-0.080}	4.000 ^{+0.005} / _{+0.000}	79.12
PS3327-64	3.442	4	.274	.282 ^{+0.005} / _{+0.000}	3.442 ^{+0.000} / _{-0.005}	3.999 ^{+0.000} / _{-0.080}	4.000 ^{+0.005} / _{+0.000}	76.83
PS3331-72	3.908	4-1/2	.305	.312 ^{+0.005} / _{+0.000}	3.908 ^{+0.000} / _{-0.005}	4.499 ^{+0.000} / _{-0.080}	4.500 ^{+0.005} / _{+0.000}	85.32
PS3327-72	3.942	4-1/2	.274	.282 ^{+0.005} / _{+0.000}	3.942 ^{+0.000} / _{-0.005}	4.499 ^{+0.000} / _{-0.080}	4.500 ^{+0.005} / _{+0.000}	84.47
PS3337-80	4.24	5	.368	.375 ^{+0.005} / _{+0.000}	4.240 ^{+0.000} / _{-0.005}	4.999 ^{+0.000} / _{-0.080}	5.000 ^{+0.005} / _{+0.000}	99.36
PS3327-80	4.442	5	.274	.282 ^{+0.005} / _{+0.000}	4.442 ^{+0.000} / _{-0.005}	4.999 ^{+0.000} / _{-0.080}	5.000 ^{+0.005} / _{+0.000}	89.81
PS3337-88	4.74	5-1/2	.368	.375 ^{+0.005} / _{+0.000}	4.740 ^{+0.000} / _{-0.005}	5.499 ^{+0.000} / _{-0.100}	5.500 ^{+0.005} / _{+0.000}	96.13
PS3337-96	5.24	6	.368	.375 ^{+0.005} / _{+0.000}	5.240 ^{+0.000} / _{-0.005}	5.999 ^{+0.000} / _{-0.100}	6.000 ^{+0.005} / _{+0.000}	104.86
PS3337-104	5.74	6-1/2	.368	.375 ^{+0.005} / _{+0.000}	5.740 ^{+0.000} / _{-0.005}	6.499 ^{+0.000} / _{-0.100}	6.500 ^{+0.005} / _{+0.000}	122.33
PS3337-112	6.24	7	.368	.375 ^{+0.005} / _{+0.000}	6.240 ^{+0.000} / _{-0.005}	6.999 ^{+0.000} / _{-0.100}	7.000 ^{+0.005} / _{+0.000}	139.59
PS3337-120	6.74	7-1/2	.368	.375 ^{+0.005} / _{+0.000}	6.740 ^{+0.000} / _{-0.005}	7.499 ^{+0.000} / _{-0.100}	7.500 ^{+0.005} / _{+0.000}	141.16
PS3337-128	7.24	8	.368	.375 ^{+0.005} / _{+0.000}	7.240 ^{+0.000} / _{-0.005}	7.999 ^{+0.000} / _{-0.100}	8.000 ^{+0.005} / _{+0.000}	145.70

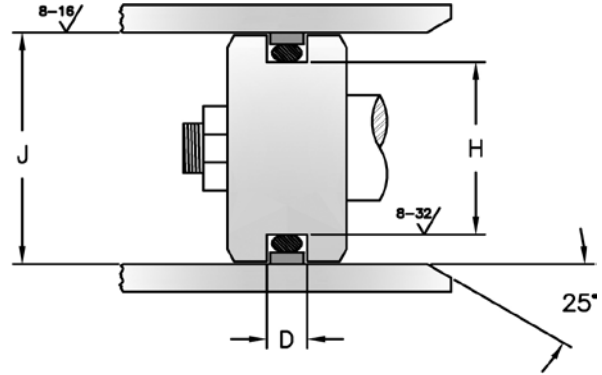
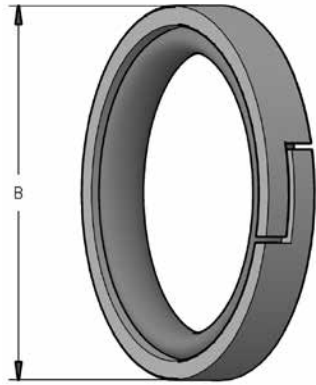
CATERPILLAR® 2 PIECE PISTON SEALS

NOTE: Caterpillar® part numbers are used as a reference only. We do not imply that these parts are original equipment parts.



Part Number	B Nom. OD	D GROOVE WIDTH	H GROOVE DIAMETER	J BORE DIAMETER	List Price
CTC-5J9822	1-1/2	.118 ±.004	1.106 ±.003	1.500	\$15.66
CTC-5J7004	2	.192 ±.004	1.625 ±.003	2.000	14.76
CTC-1U3998	2-1/4	.190	1.880	2.250	19.65
CTC-8J6213	2-1/2	.192 ±.004	2.125 ±.003	2.500	17.57
CTC-5J7010	2-3/4	.192 ±.004	2.375 ±.003	2.750	26.85
CTC-6J1972	3	.192 ±.004	2.460 ±.003	3.000	19.77
CTC-6J0793	3-1/4	.192 ±.004	2.710 ±.003	3.250	28.05
CTC-5J7013	3-1/2	.192 ±.004	2.960 ±.003	3.500	21.29
CTC-5J8011	3-3/4	.192 ±.004	3.210 ±.003	3.750	35.69
CTC-5J5402	4	.252 ±.004	3.335 ±.003	4.000	27.76
CTC-5J7854	4-1/4	.252 ±.004	3.585 ±.003	4.250	29.98
CTC-5J4986	4-1/2	.252 ±.004	3.835 ±.003	4.500	34.66
CTC-5J4987	4-3/4	.252 ±.004	4.085 ±.003	4.750	37.87
CTC-5J5020	5	.379 ±.004	4.225 ±.003	5.000	41.05
CTC-5J7234	5-1/4	.379 ±.004	4.475 ±.003	5.250	45.84
CTC-5J4988	5-1/2	.379 ±.004	4.725 ±.003	5.500	40.11
CTC-9J4981	5-3/4	.379 ±.004	4.975 ±.003	5.750	56.30
CTC-5J4989	6	.379 ±.004	5.095 ±.003	6.000	46.36
CTC-5J4990	6-1/4	.379 ±.004	5.345 ±.003	6.250	47.38
CTC-5J4991	6-1/2	.379 ±.004	5.595 ±.003	6.500	53.22
CTC-5J4997	7	.379 ±.004	6.095 ±.003	7.000	57.69
CTC-5J4993	7-1/4	.379 ±.004	6.345 ±.003	7.250	64.35
CTC-9J7117	7-1/2	.379 ±.002	6.595 ±.003	7.500	104.52
CTC-5J7016	7-3/4	.379	6.845	7.750	103.41
CTC-5J5559	8-1/4	.379 ±.004	7.255 ±.003	8.250	55.60
CTC-6J9385	8-1/2	.379 ±.004	7.505 ±.003	8.500	71.47
CTC-5J7019	9-1/4	.379 ±.004	8.255 ±.003	9.250	81.84
CTC-1214179	10	.440	8.880	10.000	153.24

CATERPILLAR® 2 PIECE STEP-CUT PISTON SEALS



PISTON SEAL ASSEMBLIES

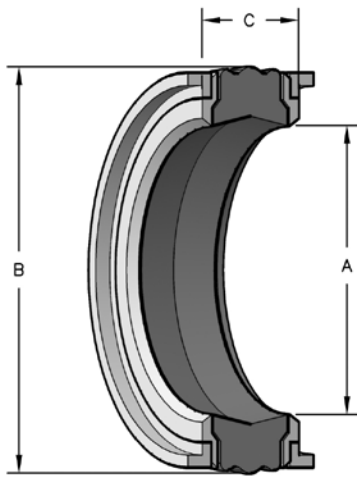
Part Number	B Nom. OD	D GROOVE WIDTH	H GROOVE DIAMETER	J BORE DIAMETER	List Price
CTC-1665295	2-3/4	.192 ±.004	2.375 ±.003	2.750	\$52.95
CTC-9X7337	3	.192 ±.004	2.460 ±.003	3.000	53.37
CTC-4T8054	3-1/2	.192 ±.004	2.960 ±.003	3.500	42.22
CTC-2613644	3-3/4	.192 ±.004	3.210 ±.003	3.750	52.39
CTC-9X7274	3-3/4	.192 ±.004	3.210 ±.003	3.750	52.39
CTC-8C9160	4	.252 ±.004	3.335 ±.003	4.000	54.47
CTC-8C9164	4-1/4	.252 ±.004	3.585 ±.003	4.250	51.20
CTC-4T5172	4-1/2	.502 ±.004	3.835 ±.003	4.500	80.49
CTC-9X7269	4-1/2	.252 ±.004	3.835 ±.003	4.500	79.80
CTC-4T8588	4-3/4	.252 ±.004	4.090 ±.003	4.750	93.52
CTC-8T1787	5	.629 ±.004	4.225 ±.003	5.000	105.37
CTC-9X7264	5	.379 ±.004	4.225 ±.003	5.000	75.79
CTC-8T0763	5-1/4	.379 ±.004	4.475 ±.003	5.250	99.93
CTC-1546744	5-3/8	.379 ±.004	4.600 ±.003	5.375	82.24
CTC-4T5173	5-1/2	.629 ±.004	4.725 ±.003	5.500	65.18
CTC-6E0465	5-1/2	.379 ±.004	4.725 ±.003	5.500	82.30
CTC-2462896	5-3/4	.379 ±.004	4.975 ±.003	5.750	103.06
CTC-1921441	6	.629 ±.004	5.095 ±.003	6.000	70.77
CTC-4T4144	6	.629 ±.004	5.095 ±.003	6.000	70.77
CTC-8T1788	6-1/4	.629 ±.002	5.345 ±.003	6.250	89.24
CTC-4T8695	6-1/2	.629 ±.004	5.595 ±.003	6.500	63.24
CTC-8T1789	7	.629 ±.004	6.095 ±.003	7.000	74.14
CTC-8T1790	7-1/4	.629 ±.004	6.345 ±.003	7.250	110.04
CTC-1921439	7-1/2	.625 ±.004	6.595 ±.003	7.500	142.27
CTC-8T1791	7-1/2	.625 ±.004	6.595 ±.003	7.500	142.27
CTC-9X7459	7-1/2	.625 ±.004	6.595 ±.003	7.500	142.27
CTC-8T1792	7-3/4	.629 ±.004	6.845 ±.003	7.750	78.43
CTC-8T1793	8-1/4	.629 ±.004	7.255 ±.003	8.250	100.04
CTC-9T0119	8-1/2	.629 ±.004	7.505 ±.003	8.500	94.65
CTC-1921435	9-1/4	.379 ±.002	8.255 ±.003	9.250	167.82
CTC-4T4143	9-1/4	.379 ±.002	8.255 ±.003	9.250	167.82
CTC-1723542	10	.690 ±.004	8.880 ±.003	10.000	149.22
CTC-8T1794	10	.690 ±.004	8.880 ±.003	10.000	149.22
CTC-8T1796	10-1/2	.690 ±.004	9.380 ±.003	10.500	162.35

Part Number	B Nom. OD	D GROOVE WIDTH	H GROOVE DIAMETER	J BORE DIAMETER	List Price
CTC-1080125	11	.690 ±.004	9.880 ±.003	11.000	123.79
CTC-8T1797	11-1/2	.690 ±.004	10.380 ±.003	11.500	191.18
CTC-1921453	12-1/2	.690 ±.004	11.380 ±.003	12.500	287.36

STYLE PSA PISTON SEALS



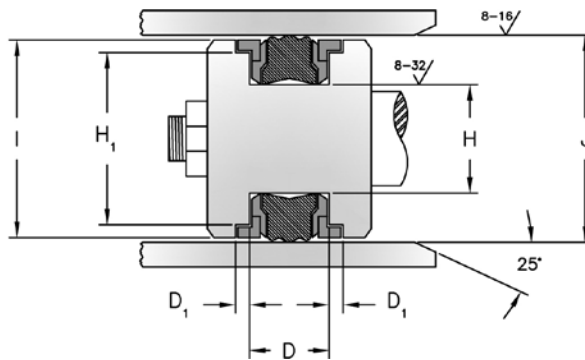
Designed to fit on one or two piece pistons, this piston seal employs a nitrile seal for high sealability, nylon split back-ups for extrusion resistance, and two split bearing rings. No further support bearings are required.



HERCULES PART NUMBERS

PSA - 1750
Prefix Size

SEAL INFORMATION	
MATERIAL	90A NITRILE SEAL NYLON BACK-UP NYLON BEARING
TEMPERATURE RANGE	-22° TO +212° F
PRESSURE RANGE	0 TO 6,000 PSI
SPEED	1.5 Ft/Sec.



PISTON SEAL ASSEMBLIES

Part Number	A Nom. ID	B Nom. OD	C Nom. Ht	D SEAL GROOVE WIDTH	D ₁ BEARING GROOVE WIDTH	H GROOVE DIAMETER	H ₁ BEARING GROOVE DIAMETER	I PISTON DIAMETER	J BORE DIAMETER	List Price
PSA-1750	1-1/8	1-3/4	3/4	.750 ^{+0.035} / _{+0.025}	.250 ^{+0.005} / _{+0.000}	1.125 ±0.003	1.569 ^{+0.000} / _{-.002}	1.698 ±0.003	1.750 ^{+0.0024} / _{+0.0000}	\$16.13
PSA-2000	1-3/8	2	3/4	.750 ^{+0.035} / _{+0.025}	.250 ^{+0.005} / _{+0.000}	1.375 ±0.003	1.820 ^{+0.000} / _{-.002}	1.948 ±0.004	2.000 ^{+0.0029} / _{+0.0000}	17.67
PSA-2000B	1-5/8	2	.437	.437 ^{+0.008} / _{+0.000}	.150 ^{+0.004} / _{+0.000}	1.625 ^{+0.000} / _{-.002}	1.824 ^{+0.000} / _{-.002}	1.937 ^{+0.000} / _{-.006}	2.000 ^{+0.003} / _{+0.000}	11.73
PSA-2000A	1-5/8	2	.49	.490 ^{+0.016} / _{+0.005}	.240 ^{+0.004} / _{+0.000}	1.625 ±0.003	1.888 ^{+0.000} / _{-.003}	1.967 ±0.003	2.000 ^{+0.0029} / _{+0.0000}	28.55
PSA-2250	1-5/8	2-1/4	3/4	.750 ^{+0.035} / _{+0.025}	.250 ^{+0.005} / _{+0.000}	1.625 ±0.003	2.069 ^{+0.000} / _{-.003}	2.197 ±0.004	2.250 ^{+0.0029} / _{+0.0000}	34.67
PSA-2375	1-3/4	2-3/8	3/4	.750 ^{+0.035} / _{+0.025}	.250 ^{+0.005} / _{+0.000}	1.750 ±0.003	2.194 ^{+0.000} / _{-.003}	2.322 ±0.004	2.375 ^{+0.0029} / _{+0.0000}	22.48
PSA-2500	1-7/8	2-1/2	3/4	.750 ^{+0.035} / _{+0.025}	.250 ^{+0.005} / _{+0.000}	1.875 ±0.003	2.318 ^{+0.000} / _{-.003}	2.446 ±0.004	2.500 ^{+0.0029} / _{+0.0000}	24.93
PSA-2750	2	2-3/4	.943	.943 ^{+0.035} / _{+0.025}	.250 ^{+0.005} / _{+0.000}	2.000 ±0.004	2.522 ^{+0.000} / _{-.003}	2.685 ±0.004	2.750 ^{+0.0029} / _{+0.0000}	41.45
PSA-3000	2-1/4	3	.943	.943 ^{+0.035} / _{+0.025}	.250 ^{+0.005} / _{+0.000}	2.250 ±0.004	2.771 ^{+0.000} / _{-.003}	2.935 ±0.004	3.000 ^{+0.0029} / _{+0.0000}	26.71
PSA-3250	2-1/2	3-1/4	.943	.943 ^{+0.035} / _{+0.025}	.250 ^{+0.005} / _{+0.000}	2.500 ±0.004	3.021 ^{+0.000} / _{-.003}	3.184 ±0.004	3.250 ^{+0.0034} / _{+0.0000}	46.15
PSA-3250A	2-5/8	3-1/4	.772	.772 ^{+0.035} / _{+0.025}	.245 ^{+0.005} / _{+0.000}	2.625 ±0.004	3.021 ^{+0.000} / _{-.003}	3.184 ±0.004	3.250 ^{+0.0034} / _{+0.0000}	46.77
PSA-3500	2-3/4	3-1/2	.943	.943 ^{+0.035} / _{+0.025}	.250 ^{+0.005} / _{+0.000}	2.750 ±0.004	3.270 ^{+0.000} / _{-.003}	3.434 ±0.004	3.500 ^{+0.0034} / _{+0.0000}	29.12

STYLE PSA PISTON SEALS

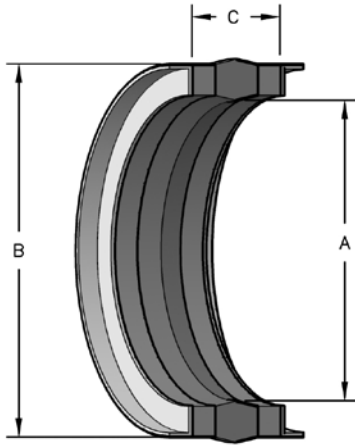
PISTON SEAL ASSEMBLIES

Part Number	A Nom. ID	B Nom. OD	C Nom. Ht	D SEAL GROOVE WIDTH	D ₁ BEARING GROOVE WIDTH	H GROOVE DIAMETER	H ₁ BEARING GROOVE DIAMETER	I PISTON DIAMETER	J BORE DIAMETER	List Price
PSA-3500A	2.85	3-1/2	.772	.772 ^{+0.035} / _{+0.025}	.295 ^{+0.005} / _{+0.000}	2.850 ±.004	3.272 ^{+0.000} / _{-.003}	3.460 ±.004	3.500 ^{+0.0034} / _{+0.0000}	45.90
PSA-3750	3	3-3/4	.943	.943 ^{+0.035} / _{+0.025}	.250 ^{+0.005} / _{+0.000}	3.000 ±.004	3.520 ^{+0.000} / _{-.003}	3.683 ±.004	3.750 ^{+0.0034} / _{+0.0000}	51.90
PSA-4000	3-1/4	4	.943	.943 ^{+0.035} / _{+0.025}	.250 ^{+0.005} / _{+0.000}	3.250 ±.004	3.770 ^{+0.000} / _{-.003}	3.933 ±.004	4.000 ^{+0.0034} / _{+0.0000}	34.22
PSA-4000A	3-1/4	4	1-3/8	1.375 ^{+0.035} / _{+0.025}	.375 ^{+0.005} / _{+0.000}	3.250 ±.004	3.709 ^{+0.000} / _{-.003}	3.933 ±.004	4.000 ^{+0.0034} / _{+0.0000}	93.78
PSA-4000B	3-3/8	4	.772	.772 ^{+0.035} / _{+0.025}	.245 ^{+0.005} / _{+0.000}	3.375 ±.004	3.772 ^{+0.000} / _{-.003}	3.960 ±.004	4.000 ^{+0.0034} / _{+0.0000}	58.46
PSA-4500	3-1/2	4-1/2	1-1/4	1.250 ^{+0.035} / _{+0.025}	.250 ^{+0.005} / _{+0.000}	3.500 ±.004	4.229 ^{+0.000} / _{-.003}	4.422 ±.005	4.500 ^{+0.0034} / _{+0.0000}	69.08
PSA-4500A	3-1/2	4-1/2	1-3/4	1.750 ^{+0.035} / _{+0.025}	.500 ^{+0.005} / _{+0.000}	3.500 ±.004	4.180 ^{+0.000} / _{-.003}	4.400 ±.004	4.500 ^{+0.0034} / _{+0.0000}	115.90
PSA-5000	4	5	1-1/4	1.250 ^{+0.035} / _{+0.025}	.400 ^{+0.005} / _{+0.000}	4.000 ±.004	4.709 ^{+0.000} / _{-.004}	4.902 ±.005	5.000 ^{+0.0039} / _{+0.0000}	86.05
PSA-5000A	4-1/4	5	.96	.960 ^{+0.035} / _{+0.025}	.245 ^{+0.005} / _{+0.000}	4.250 ±.004	4.772 ^{+0.000} / _{-.004}	4.960 ±.005	5.000 ^{+0.0039} / _{+0.0000}	80.81
PSA-6000	5	6	1-1/4	1.250 ^{+0.035} / _{+0.025}	.375 ^{+0.005} / _{+0.000}	5.000 ±.004	5.709 ^{+0.000} / _{-.004}	5.902 ±.005	6.000 ^{+0.0039} / _{+0.0000}	106.36
PSA-6000A	5	6	1-3/4	1.750 ^{+0.035} / _{+0.025}	.500 ^{+0.005} / _{+0.000}	5.000 ±.004	5.675 ^{+0.000} / _{-.004}	5.900 ±.005	6.000 ^{+0.0039} / _{+0.0000}	135.54

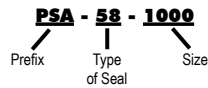
STYLE PSA-58 PISTON SEALS



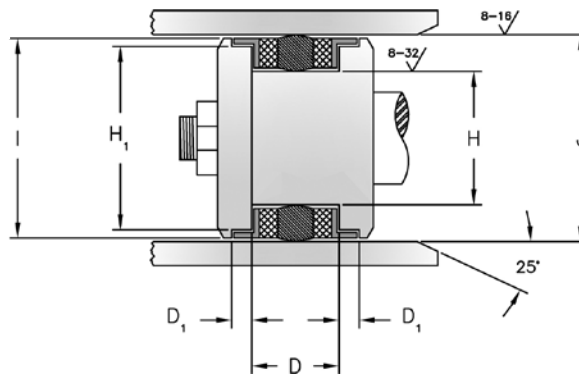
Style PSA-58 piston seals combine a heavy duty, fabric reinforced seal with two polyacetal "L" bearings. This construction allows the seal to withstand pressures up to 5,000 PSI. "L" bearings also react to pressure to prevent extrusion and support the piston. For 2-piece pistons.



HERCULES PART NUMBERS



SEAL INFORMATION	
MATERIAL	FABRIC REINFORCED NITRILE SEAL POLYACETAL ANTI-EXTRUSION RING
TEMPERATURE RANGE	-22° TO +212° F
PRESSURE RANGE	0 TO 5,000 PSI
SPEED	1.5 Ft/Sec.



Part Number	A Nom. ID	B Nom. OD	C Nom. Ht	D SEAL GROOVE WIDTH	D ₁ BEARING GROOVE WIDTH	H GROOVE DIAMETER	H ₁ BEARING GROOVE DIAMETER	I PISTON DIAMETER	J BORE DIAMETER	List Price
PSA-58-1000	5/8	1	19/32	.596 ^{+0.035} / _{+0.025}	.182 ^{+0.005} / _{+0.000}	.625 ±0.0022	.865 ±0.002	.968	1.000 ^{+0.0051} / _{+0.0000}	\$24.08
PSA-58-1250	3/4	1-1/4	3/4	.750 ^{+0.035} / _{+0.025}	.250 ^{+0.000} / _{-0.005}	.750 ±0.0026	1.115 ±0.002	1.218	1.250 ^{+0.0063} / _{+0.0000}	28.81
PSA-58-1375	7/8	1-3/8	3/4	.750 ^{+0.035} / _{+0.025}	.250 ^{+0.000} / _{-0.005}	.875 ±0.0026	1.241 ±0.002	1.343	1.375 ^{+0.0063} / _{+0.0000}	32.66
PSA-58-1500	1	1-1/2	3/4	.750 ^{+0.035} / _{+0.025}	.250 ^{+0.000} / _{-0.005}	1.000 ±0.0026	1.365 ±0.002	1.468	1.500 ^{+0.0063} / _{+0.0000}	46.04
PSA-58-1750	1-1/8	1-3/4	15/16	.937 ^{+0.035} / _{+0.025}	.250 ^{+0.000} / _{-0.005}	1.125 ±0.0026	1.552 ±0.002	1.687	1.750 ^{+0.0063} / _{+0.0000}	53.47
PSA-58-1875	1-1/4	1-7/8	15/16	.937 ^{+0.035} / _{+0.025}	.250 ^{+0.000} / _{-0.005}	1.250 ±0.0031	1.679 ±0.002	1.835	1.875 ^{+0.0063} / _{+0.0000}	43.52
PSA-58-2000B	1-3/8	2	3/4	.750 ^{+0.035} / _{+0.025}	.250 ^{+0.005} / _{+0.000}	1.375 ±0.0031	1.802 ±0.002	1.937	2.000 ^{+0.0075} / _{+0.0000}	30.04
PSA-58-2000	1-3/8	2	15/16	.937 ^{+0.035} / _{+0.025}	.250 ^{+0.000} / _{-0.005}	1.375 ±0.0031	1.802 ±0.002	1.937	2.000 ^{+0.0075} / _{+0.0000}	55.81
PSA-58-2250	1-5/8	2-1/4	15/16	.937 ^{+0.035} / _{+0.025}	.250 ^{+0.000} / _{-0.005}	1.625 ±0.0031	2.052 ±0.002	2.187	2.250 ^{+0.0075} / _{+0.0000}	61.97
PSA-58-2375	1-3/4	2-3/8	15/16	.937 ^{+0.035} / _{+0.025}	.250 ^{+0.000} / _{-0.005}	1.750 ±0.0031	2.177 ±0.002	2.317	2.375 ^{+0.0075} / _{+0.0000}	39.67
PSA-58-2500	1-7/8	2-1/2	15/16	.937 ^{+0.035} / _{+0.025}	.250 ^{+0.000} / _{-0.005}	1.875 ±0.0031	2.305 ±0.002	2.437	2.500 ^{+0.0075} / _{+0.0000}	69.42
PSA-58-2625	2	2-5/8	15/16	.937 ^{+0.035} / _{+0.025}	.250 ^{+0.000} / _{-0.005}	2.000 ±0.0037	2.428 ±0.002	2.562	2.625 ^{+0.0075} / _{+0.0000}	37.73

STYLE PSA-58 PISTON SEALS

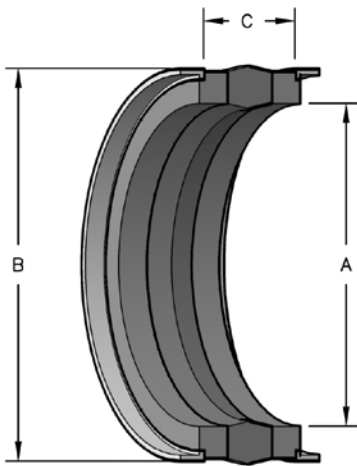
PISTON SEAL ASSEMBLIES

Part Number	A Nom. ID	B Nom. OD	C Nom. Ht	D SEAL GROOVE WIDTH	D ₁ BEARING GROOVE WIDTH	H GROOVE DIAMETER	H ₁ BEARING GROOVE DIAMETER	I PISTON DIAMETER	J BORE DIAMETER	List Price
PSA-58-2750	2	2-3/4	1-3/16	1.187 ^{+0.035} / _{+0.025}	.250 ^{+0.000} / _{-0.005}	2.000 ±.0037	2.480 ±.002	2.685	2.750 ^{+0.0075} / _{+0.0000}	80.73
PSA-58-3000B	2-1/4	3	27/32	.843 ^{+0.035} / _{+0.025}	.250 ^{+0.000} / _{-0.005}	2.250 ±.0037	2.732 ±.002	2.938	3.000 ^{+0.0075} / _{+0.0000}	48.58
PSA-58-3000A	2-1/4	3	15/16	.937 ^{+0.035} / _{+0.025}	.250 ^{+0.000} / _{-0.005}	2.250 ±.0037	2.772 ±.002	2.938	3.000 ^{+0.0075} / _{+0.0000}	52.02
PSA-58-3000	2-1/4	3	1-3/16	1.187 ^{+0.035} / _{+0.025}	.250 ^{+0.005} / _{+0.000}	2.250 ±.0037	2.735 ±.002	2.937	3.000 ^{+0.0075} / _{+0.0000}	85.05
PSA-58-3250	2-1/2	3-1/4	1-3/16	1.187 ^{+0.035} / _{+0.025}	.250 ^{+0.005} / _{+0.000}	2.500 ±.0037	2.985 ±.002	3.187	3.250 ^{+0.0087} / _{+0.0000}	88.54
PSA-58-3500	2-3/4	3-1/2	1-3/16	1.187 ^{+0.035} / _{+0.025}	.250 ^{+0.005} / _{+0.000}	2.750 ±.0037	3.235 ±.002	3.437	3.500 ^{+0.0087} / _{+0.0000}	94.14
PSA-58-3750	3	3-3/4	1-3/16	1.187 ^{+0.035} / _{+0.025}	.250 ^{+0.005} / _{+0.000}	3.000 ±.0037	3.485 ±.002	3.687	3.750 ^{+0.0087} / _{+0.0000}	98.30
PSA-58-4000	3-1/4	4	1-3/16	1.187 ^{+0.035} / _{+0.025}	.250 ^{+0.000} / _{-0.005}	3.250 ±.0043	3.732 ±.002	3.937	4.000 ^{+0.0087} / _{+0.0000}	109.95
PSA-58-4250	3-1/2	4-1/4	1-3/16	1.187 ^{+0.035} / _{+0.025}	.250 ^{+0.005} / _{+0.000}	3.500 ±.0043	3.982 ±.002	4.187	4.250 ^{+0.0087} / _{+0.0000}	77.43
PSA-58-4500	3-1/2	4-1/2	1-1/2	1.500 ^{+0.035} / _{+0.025}	.375 ^{+0.000} / _{-0.005}	3.500 ±.0043	4.232 ±.002	4.437	4.500 ^{+0.0087} / _{+0.0000}	131.69
PSA-58-4750	3-3/4	4-3/4	1-1/2	1.500 ^{+0.035} / _{+0.025}	.375 ^{+0.000} / _{-0.005}	3.750 ±.0043	4.478 ±.002	4.671	4.750 ^{+0.0098} / _{+0.0000}	134.66
PSA-58-5000	4	5	1-1/2	1.500 ^{+0.035} / _{+0.025}	.375 ^{+0.005} / _{+0.000}	4.000 ±.0043	4.735 ±.002	4.937	5.000 ^{+0.0098} / _{+0.0000}	151.16
PSA-58-5250	4-1/4	5-1/4	1-1/2	1.500 ^{+0.035} / _{+0.025}	.375 ^{+0.000} / _{-0.005}	4.250 ±.0043	4.982 ±.002	5.187	5.250 ^{+0.0098} / _{+0.0000}	84.45
PSA-58-5500	4-1/2	5-1/2	1-1/2	1.500 ^{+0.035} / _{+0.025}	.375 ^{+0.005} / _{+0.000}	4.500 ±.0043	5.236 ±.002	5.437	5.500 ^{+0.0098} / _{+0.0000}	161.13
PSA-58-5750	4-3/4	5-3/4	1-1/2	1.500 ^{+0.035} / _{+0.025}	.375 ^{+0.000} / _{-0.005}	4.750 ±.0049	5.484 ±.002	5.687	5.750 ^{+0.0098} / _{+0.0000}	294.84
PSA-58-6000	5	6	1-1/2	1.500 ^{+0.035} / _{+0.025}	.375 ^{+0.000} / _{-0.005}	5.000 ±.0049	5.732 ±.002	5.937	6.000 ^{+0.0098} / _{+0.0000}	171.57
PSA-58-6500	5-1/2	6-1/2	1-1/2	1.500 ^{+0.035} / _{+0.025}	.375 ^{+0.005} / _{+0.000}	5.500 ±.0049	6.236 ±.002	6.437	6.500 ^{+0.0098} / _{+0.0000}	255.71
PSA-58-7000	6	7	1-1/2	1.500 ^{+0.035} / _{+0.025}	.375 ^{+0.005} / _{+0.000}	6.000 ±.0049	6.736 ±.002	6.937	7.000 ^{+0.0098} / _{+0.0000}	271.18
PSA-58-8000	7	8	1-1/4	1.250 ^{+0.035} / _{+0.025}	.375 ^{+0.000} / _{-0.005}	7.000 ±.0049	7.740 ±.002	7.937	8.000 ^{+0.0114} / _{+0.0000}	522.59
PSA-58-10000	9	10	1-1/4	1.250 ^{+0.035} / _{+0.025}	.375 ^{+0.000} / _{-0.005}	9.000 ±.0057	9.740 ±.002	9.937	10.000 ^{+0.0126} / _{+0.0000}	680.31

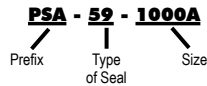
STYLE PSA-59 PISTON SEALS



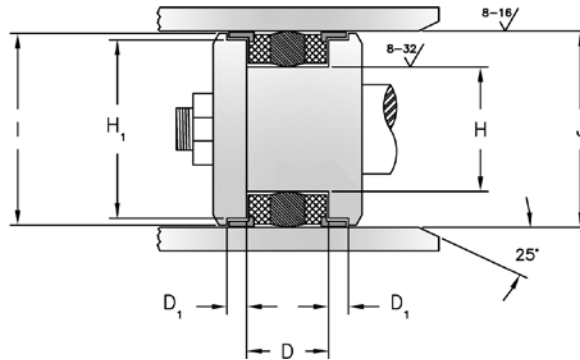
This style is designed for 2 piece piston. The seal is a molded Nitrile rubber element with bonded rubberized fabric reinforcement and two anti-extrusion polyacetal bearings.



HERCULES PART NUMBERS



SEAL INFORMATION	
MATERIAL	FABRIC REINFORCED NITRILE SEAL POLYACETAL ANTI-EXTRUSION RING
TEMPERATURE RANGE	-22° TO +212° F
PRESSURE RANGE	0 TO 5,000 PSI
SPEED	1.5 Ft/Sec.



Part Number	A Nom. ID	B Nom. OD	C Nom. Ht	D SEAL GROOVE WIDTH	D ₁ BEARING GROOVE WIDTH	H GROOVE DIAMETER	H ₁ BEARING GROOVE DIAMETER	I PISTON DIAMETER	J BORE DIAMETER	List Price
PSA-59-1000A	5/8	1	.468	.468 ^{+0.035} / _{+0.025}	.250 ^{+0.005} / _{+0.000}	.625 ±0.003	.883 ^{+0.000} / _{-.002}	.964 ±0.003	1.000 ^{+0.006} / _{+0.000}	\$27.54
PSA-59-1500	1	1-1/2	5/8	.625 ^{+0.035} / _{+0.025}	.250 ^{+0.005} / _{+0.000}	1.000 ±0.003	1.360 ^{+0.000} / _{-.002}	1.458 ±0.003	1.500 ^{+0.006} / _{+0.000}	25.83
PSA-59-1625	1-1/8	1-5/8	5/8	.625 ^{+0.035} / _{+0.025}	.250 ^{+0.005} / _{+0.000}	1.125 ±0.003	1.485 ^{+0.000} / _{-.002}	1.583 ±0.003	1.625 ^{+0.006} / _{+0.000}	30.95
PSA-59-1750	1-1/8	1-3/4	3/4	.750 ^{+0.035} / _{+0.025}	.250 ^{+0.005} / _{+0.000}	1.125 ±0.003	1.570 ^{+0.000} / _{-.002}	1.698 ±0.003	1.750 ^{+0.006} / _{+0.000}	35.46
PSA-59-2125	1-1/2	2-1/8	3/4	.750 ^{+0.035} / _{+0.025}	.250 ^{+0.005} / _{+0.000}	1.500 ±0.003	1.944 ^{+0.000} / _{-.003}	2.074 ±0.004	2.125 ^{+0.007} / _{+0.000}	46.10
PSA-59-2250	1-5/8	2-1/4	3/4	.750 ^{+0.035} / _{+0.025}	.250 ^{+0.005} / _{+0.000}	1.625 ±0.003	2.069 ^{+0.000} / _{-.003}	2.197 ±0.004	2.250 ^{+0.007} / _{+0.000}	29.25
PSA-59-2375	1-3/4	2-3/8	3/4	.750 ^{+0.035} / _{+0.025}	.250 ^{+0.005} / _{+0.000}	1.750 ±0.003	2.194 ^{+0.000} / _{-.003}	2.322 ±0.004	2.375 ^{+0.007} / _{+0.000}	30.95
PSA-59-2500A	1-7/8	2-1/2	3/4	.750 ^{+0.035} / _{+0.025}	.250 ^{+0.005} / _{+0.000}	1.875 ±0.003	2.321 ^{+0.000} / _{-.003}	2.437 ±0.004	2.500 ^{+0.007} / _{+0.000}	56.54
PSA-59-2750	2	2-3/4	3/4	.750 ^{+0.035} / _{+0.025}	.250 ^{+0.005} / _{+0.000}	2.000 ±0.004	2.522 ^{+0.000} / _{-.003}	2.685 ±0.004	2.750 ^{+0.007} / _{+0.000}	52.07
PSA-59-2750A	2	2-3/4	.937	.937 ^{+0.035} / _{+0.025}	.250 ^{+0.005} / _{+0.000}	2.000 ±0.004	2.522 ^{+0.000} / _{-.003}	2.685 ±0.004	2.750 ^{+0.007} / _{+0.000}	38.15
PSA-59-3000	2-1/4	3	.937	.937 ^{+0.035} / _{+0.025}	.250 ^{+0.005} / _{+0.000}	2.250 ±0.004	2.772 ^{+0.000} / _{-.003}	2.935 ±0.004	3.000 ^{+0.007} / _{+0.000}	39.47
PSA-59-3000A	2-1/4	3	1-1/8	1.125 ^{+0.035} / _{+0.025}	.250 ^{+0.005} / _{+0.000}	2.250 ±0.004	2.772 ^{+0.000} / _{-.003}	2.935 ±0.004	3.000 ^{+0.007} / _{+0.000}	42.09

STYLE PSA-59 PISTON SEALS

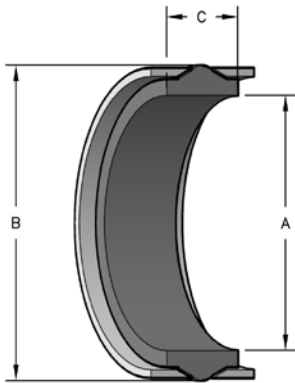
PISTON SEAL ASSEMBLIES

Part Number	A Nom. ID	B Nom. OD	C Nom. Ht	D SEAL GROOVE WIDTH	D ₁ BEARING GROOVE WIDTH	H GROOVE DIAMETER	H ₁ BEARING GROOVE DIAMETER	I PISTON DIAMETER	J BORE DIAMETER	List Price
PSA-59-3250	2-1/2	3-1/4	.937	.937 ^{+0.035} / _{+0.025}	.250 ^{+0.005} / _{+0.000}	2.500 ±.004	3.021 ^{+0.000} / _{-.003}	3.184 ±.004	3.250 ^{+0.009} / _{+0.000}	56.38
PSA-59-3500	2-3/4	3-1/2	.937	.937 ^{+0.035} / _{+0.025}	.250 ^{+0.005} / _{+0.000}	2.750 ±.004	3.271 ^{+0.000} / _{-.003}	3.434 ±.004	3.500 ^{+0.009} / _{+0.000}	51.70
PSA-59-4000	3-1/4	4	.937	.937 ^{+0.035} / _{+0.025}	.250 ^{+0.005} / _{+0.000}	3.250 ±.004	3.770 ^{+0.000} / _{-.003}	3.933 ±.004	4.000 ^{+0.009} / _{+0.000}	62.71
PSA-59-4500	3-1/2	4-1/2	1-1/4	1.250 ^{+0.035} / _{+0.025}	.250 ^{+0.005} / _{+0.000}	3.500 ±.004	4.229 ^{+0.000} / _{-.003}	4.422 ±.005	4.500 ^{+0.009} / _{+0.000}	68.08
PSA-59-5000	4	5	1-1/4	1.250 ^{+0.035} / _{+0.025}	.250 ^{+0.005} / _{+0.000}	4.000 ±.004	4.728 ^{+0.000} / _{-.004}	4.921 ±.005	5.000 ^{+0.010} / _{+0.000}	79.44
PSA-59-5500	4-1/2	5-1/2	1-1/4	1.250 ^{+0.035} / _{+0.025}	.250 ^{+0.005} / _{+0.000}	4.500 ±.004	5.227 ^{+0.000} / _{-.004}	5.420 ±.005	5.500 ^{+0.010} / _{+0.000}	102.64
PSA-59-6000	5	6	1-1/4	1.250 ^{+0.035} / _{+0.025}	.250 ^{+0.005} / _{+0.000}	5.000 ±.005	5.726 ^{+0.000} / _{-.004}	5.919 ±.005	6.000 ^{+0.010} / _{+0.000}	92.81
PSA-59-6500	5-1/2	6-1/2	1-1/4	1.250 ^{+0.035} / _{+0.025}	.250 ^{+0.005} / _{+0.000}	5.500 ±.005	6.226 ^{+0.000} / _{-.004}	6.419 ±.005	6.500 ^{+0.010} / _{+0.000}	147.49
PSA-59-7000	6	7	1-1/4	1.250 ^{+0.035} / _{+0.025}	.250 ^{+0.005} / _{+0.000}	6.000 ±.005	6.724 ^{+0.000} / _{-.004}	6.917 ±.005	7.000 ^{+0.010} / _{+0.000}	175.45
PSA-59-8000	7	8	1-1/4	1.250 ^{+0.035} / _{+0.025}	.250 ^{+0.005} / _{+0.000}	7.000 ±.005	7.723 ^{+0.000} / _{-.005}	7.915 ±.006	8.000 ^{+0.011} / _{+0.000}	321.24

STYLE PSA-65 PISTON SEALS



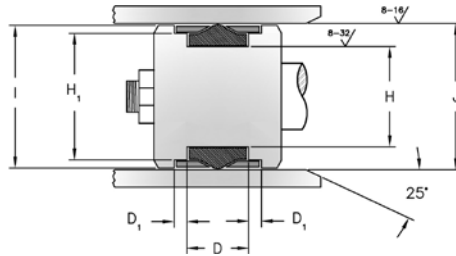
Compact and easy to install, the Style PSA-65 piston seal is a simple and economical design for pressures up to 3,000 PSI. The assembly consists of a nitrile rubber seal and two polyacetal bearings to support the piston. For 1-piece pistons.



HERCULES PART NUMBERS

PSA - 65 - 1000

Prefix | Type of Seal | Size



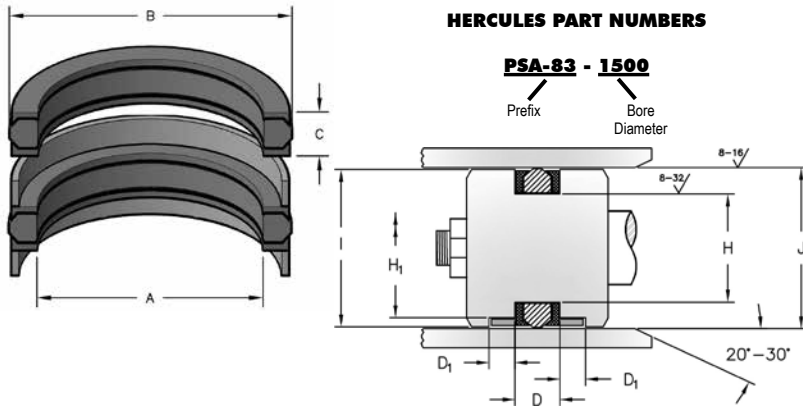
SEAL INFORMATION	
MATERIAL	NITRILE SEAL POLYACETAL ANTI-EXTRUSION RING
TEMPERATURE RANGE	-22° TO +212° F
PRESSURE RANGE	0 TO 3,000 PSI
SPEED	1.5 Ft/Sec.

Part Number	A Nom. ID	B Nom. OD	C Nom. Ht	D SEAL GROOVE WIDTH	D ₁ BEARING GROOVE WIDTH	H GROOVE DIAMETER	H ₁ BEARING GROOVE DIAMETER	I PISTON DIAMETER	J BORE DIAMETER	List Price
PSA-65-1000	11/16	1	11/32	.343 +0.015 +0.005	.125 +0.000 -0.005	.687 +0.000 -0.002	.829 +0.000 -0.002	.937 +0.000 -0.006	1.000 +0.004 +0.000	\$15.55
PSA-65-1250	15/16	1-1/4	11/32	.343 +0.015 +0.005	.125 +0.000 -0.005	.937 +0.000 -0.002	1.079 +0.000 -0.002	1.187 +0.000 -0.006	1.250 +0.004 +0.000	14.75
PSA-65-1500	1-1/8	1-1/2	7/16	.437 +0.015 +0.005	.150 +0.000 -0.005	1.125 +0.000 -0.002	1.324 +0.000 -0.002	1.437 +0.000 -0.006	1.500 +0.004 +0.000	14.75
PSA-65-1750	1-3/8	1-3/4	7/16	.437 +0.015 +0.005	.150 +0.000 -0.005	1.375 +0.000 -0.002	1.574 +0.000 -0.002	1.687 +0.000 -0.006	1.750 +0.004 +0.000	26.17
PSA-65-2000	1-5/8	2	7/16	.437 +0.015 +0.005	.150 +0.000 -0.005	1.625 +0.000 -0.002	1.824 +0.000 -0.002	1.937 +0.000 -0.006	2.000 +0.005 +0.000	52.37
PSA-65-2250	1-7/8	2-1/4	7/16	.437 +0.015 +0.005	.150 +0.000 -0.005	1.875 +0.000 -0.002	2.075 +0.000 -0.003	2.187 +0.000 -0.006	2.250 +0.005 +0.000	21.54
PSA-65-2375	2	2-3/8	7/16	.437 +0.015 +0.005	.150 +0.000 -0.005	2.000 +0.000 -0.002	2.195 +0.000 -0.003	2.312 +0.000 -0.007	2.375 +0.005 +0.000	18.66
PSA-65-2500A	2	2-1/2	5/8	.625 +0.015 +0.005	.255 +0.000 -0.005	2.000 +0.000 -0.003	2.325 +0.000 -0.003	2.437 +0.000 -0.007	2.500 +0.005 +0.000	38.22
PSA-65-2500	2-1/8	2-1/2	7/16	.437 +0.015 +0.005	.150 +0.000 -0.005	2.125 +0.000 -0.003	2.325 +0.000 -0.003	2.437 +0.000 -0.007	2.500 +0.005 +0.000	62.37
PSA-65-2750	2-3/8	2-3/4	7/16	.437 +0.015 +0.005	.150 +0.000 -0.005	2.375 +0.000 -0.003	2.575 +0.000 -0.002	2.687 +0.000 -0.007	2.750 +0.005 +0.000	39.82
PSA-65-3000	2-5/8	3	7/16	.437 +0.015 +0.005	.150 +0.000 -0.005	2.625 +0.000 -0.003	2.825 +0.000 -0.003	2.937 +0.000 -0.007	3.000 +0.005 +0.000	78.73
PSA-65-3500	3	3-1/2	9/16	.562 +0.015 +0.005	.210 +0.000 -0.005	3.000 +0.000 -0.003	3.270 +0.000 -0.003	3.437 +0.000 -0.009	3.500 +0.006 +0.000	90.95
PSA-65-4000	3-1/2	4	9/16	.562 +0.015 +0.005	.210 +0.000 -0.005	3.500 +0.000 -0.003	3.770 +0.000 -0.003	3.937 +0.000 -0.009	4.000 +0.006 +0.000	101.48
PSA-65-5000	4-3/8	5	11/16	.687 +0.015 +0.005	.344 +0.000 -0.005	4.375 +0.000 -0.003	4.689 +0.000 -0.003	4.937 +0.000 -0.010	5.000 +0.006 +0.000	131.28
PSA-65-5500	4-7/8	5-1/2	11/16	.687 +0.015 +0.005	.344 +0.000 -0.005	4.875 +0.000 -0.004	5.188 +0.000 -0.004	5.437 +0.000 -0.010	5.500 +0.006 +0.000	141.69
PSA-65-6000	5-1/4	6	1	1.000 +0.015 +0.005	.500 +0.000 -0.005	5.250 +0.000 -0.004	5.712 +0.000 -0.004	5.937 +0.000 -0.010	6.000 +0.006 +0.000	149.25
PSA-65-7000	6-1/4	7	1	1.000 +0.015 +0.005	.500 +0.000 -0.005	6.250 +0.000 -0.004	6.712 +0.000 -0.004	6.937 +0.000 -0.010	7.000 +0.006 +0.000	182.58

PISTON SEAL ASSEMBLIES

STYLE PSA-83 & PSA-83-W PISTON SEALS

This three piece piston seal, designed for one piece pistons, contains a nitrile rubber seal with two split plastic anti-extrusion rings. Under pressure, the seal exerts a wedging action on the anti-extrusion rings, reducing the clearance between the bore and the piston, minimizing extrusion. Sales part numbers ending in W include two wear rings.



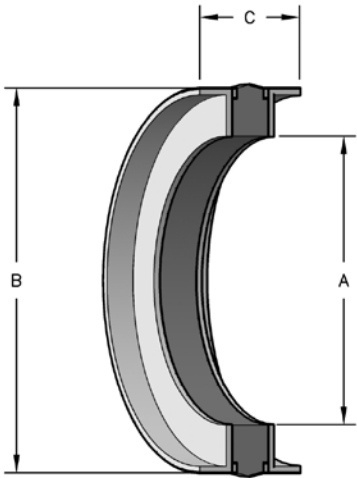
SEAL INFORMATION	
MATERIAL	NITRILE SEAL, POLYACETAL ANTI- EXTRUSION RINGS & BEARINGS (W SUFFIX)
TEMPERATURE RANGE	-22°F - +212°F
PRESSURE RANGE	0 TO 6,000 PSI
SPEED	1.5 FT/SEC

Part Number	A Nom. ID	B Nom. OD	C Nom. Ht	D SEAL GROOVE WIDTH	D ₁ BEARING GROOVE WIDTH	H GROOVE DIAMETER	H ₁ BEARING GROOVE DIAMETER	I PISTON DIAMETER	J BORE DIAMETER	List Price
PSA-83-1500	1-1/8	1-1/2	.452	.452 ^{+0.005} / _{+0.000}	N/A	1.125 ^{+0.000} / _{-.003}	N/A	1.480 ^{+0.000} / _{-.006}	1.500 ^{+0.004} / _{+0.000}	\$63.13
PSA-83-2000W	1-1/2	2	.587	.587 ^{+0.005} / _{+0.000}	.250 ^{+0.004} / _{+0.000}	1.500 ^{+0.000} / _{-.004}	1.821 ^{-.001} / _{-.003}	1.950 ±0.005	2.000 ^{+0.005} / _{+0.000}	64.34
PSA-83-2500W	2	2-1/2	.587	.587 ^{+0.005} / _{+0.000}	.250 ^{+0.004} / _{+0.000}	2.000 ^{+0.000} / _{-.005}	2.321 ^{-.001} / _{-.004}	2.450 ±0.005	2.500 ^{+0.005} / _{+0.000}	69.08
PSA-83-3000W	2-1/2	3	.587	.587 ^{+0.005} / _{+0.000}	.250 ^{+0.004} / _{+0.000}	2.500 ^{+0.000} / _{-.005}	2.774 ^{-.001} / _{-.004}	2.940 ±0.005	3.000 ^{+0.005} / _{+0.000}	75.55
PSA-83-3250	2-3/4	3-1/4	.587	.587 ^{+0.005} / _{+0.000}	N/A	2.750 ^{+0.000} / _{-.005}	N/A	3.230 ^{+0.000} / _{-.006}	3.250 ^{+0.006} / _{+0.000}	73.43
PSA-83-3250W	2-3/4	3-1/4	.587	.587 ^{+0.005} / _{+0.000}	.250 ^{+0.004} / _{+0.000}	2.750 ^{+0.000} / _{-.005}	3.023 ^{-.001} / _{-.004}	3.190 ±0.005	3.250 ^{+0.006} / _{+0.000}	90.83
PSA-83-3500W	3	3-1/2	.587	.587 ^{+0.005} / _{+0.000}	.250 ^{+0.004} / _{+0.000}	3.000 ^{+0.000} / _{-.005}	3.274 ^{-.001} / _{-.005}	3.440 ±0.005	3.500 ^{+0.006} / _{+0.000}	102.18
PSA-83-4000	3-1/4	4	.78	.780 ^{+0.005} / _{+0.000}	N/A	3.250 ^{+0.000} / _{-.006}	N/A	3.980 ^{+0.000} / _{-.006}	4.000 ^{+0.006} / _{+0.000}	114.46
PSA-83-4000W	3-1/4	4	.78	.780 ^{+0.005} / _{+0.000}	.250 ^{+0.004} / _{+0.000}	3.250 ^{+0.000} / _{-.005}	3.773 ^{-.001} / _{-.005}	3.940 ±0.005	4.000 ^{+0.005} / _{+0.000}	98.57
PSA-83-4500W	3-3/4	4-1/2	.78	.780 ^{+0.005} / _{+0.000}	.250 ^{+0.004} / _{+0.000}	3.750 ^{+0.000} / _{-.006}	4.232 ^{-.001} / _{-.005}	4.440 ±0.005	4.500 ^{+0.006} / _{+0.000}	123.94
PSA-83-5000	4-1/4	5	.78	.780 ^{+0.005} / _{+0.000}	N/A	4.250 ^{+0.000} / _{-.006}	N/A	4.980 ^{+0.000} / _{-.006}	5.000 ^{+0.006} / _{+0.000}	150.02
PSA-83-5000W	4-1/4	5	.78	.780 ^{+0.005} / _{+0.000}	.375 ^{+0.004} / _{+0.000}	4.250 ^{+0.000} / _{-.006}	4.713 ^{-.001} / _{-.005}	4.910 ±0.005	5.000 ^{+0.006} / _{+0.000}	130.88
PSA-83-6000	5-1/4	6	.78	.780 ^{+0.005} / _{+0.000}	N/A	5.250 ^{+0.000} / _{-.006}	N/A	5.980 ^{+0.000} / _{-.006}	6.000 ^{+0.006} / _{+0.000}	167.26
PSA-83-6000W	5-1/4	6	.78	.780 ^{+0.005} / _{+0.000}	.375 ^{+0.004} / _{+0.000}	5.250 ^{+0.000} / _{-.006}	5.713 ^{-.001} / _{-.005}	5.910 ±0.005	6.000 ^{+0.006} / _{+0.000}	144.91
PSA-83-7000	6-1/4	7	.78	.780 ^{+0.005} / _{+0.000}	N/A	6.250 ^{+0.000} / _{-.006}	N/A	6.980 ^{+0.000} / _{-.006}	7.000 ^{+0.006} / _{+0.000}	205.63

STYLE PSF PISTON SEALS



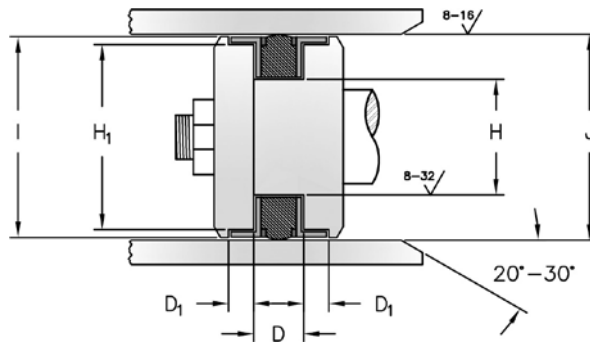
Designed to fit on one or two piece pistons, this seal employs a nitrile seal element, PTFE split back-up rings and polyacetal split bearing rings.



HERCULES PART NUMBERS



SEAL INFORMATION	
MATERIAL	NITRILE SEAL POLYACETAL ANTI-EXTRUSION RING
TEMPERATURE RANGE	-22° TO +212° F
PRESSURE RANGE	0 TO 3,000 PSI
SPEED	3 FT/SEC

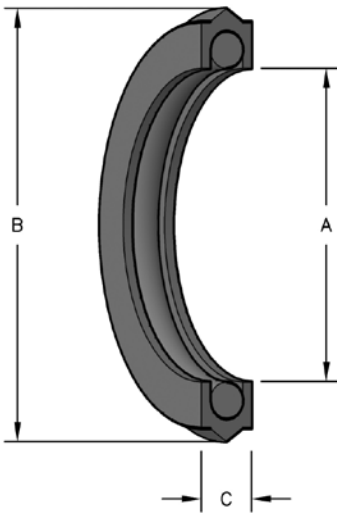


Part Number	A Nom. ID	B Nom. OD	C Nom. Ht	D SEAL GROOVE WIDTH	D ₁ BEARING GROOVE WIDTH	H GROOVE DIAMETER	H ₁ BEARING GROOVE DIAMETER	I PISTON DIAMETER	J BORE DIAMETER	List Price
PSF-2000	1-5/8	2	.986	.496 ^{+0.015} / _{+0.005}	.245 ^{+0.000} / _{-.005}	1.625 ^{+0.000} / _{-.002}	1.888 ^{+0.000} / _{-.002}	1.960 ^{+0.000} / _{-.006}	2.000	\$21.42
PSF-2500	2	2-1/2	1.14	.650 ^{+0.015} / _{+0.005}	.245 ^{+0.000} / _{-.005}	2.000 ^{+0.000} / _{-.003}	2.320 ^{+0.000} / _{-.003}	2.460 ^{+0.000} / _{-.007}	2.500	28.38
PSF-2750	2-1/4	2-3/4	1.15	.650 ^{+0.015} / _{+0.005}	.250 ^{+0.000} / _{-.005}	2.250 ^{+0.000} / _{-.003}	2.570 ^{+0.000} / _{-.003}	2.710 ^{+0.000} / _{-.007}	2.750	31.12
PSF-3000	2-3/8	3	1.265	.775 ^{+0.015} / _{+0.005}	.245 ^{+0.000} / _{-.005}	2.375 ^{+0.000} / _{-.003}	2.772 ^{+0.000} / _{-.003}	2.960 ^{+0.000} / _{-.007}	3.000	31.31

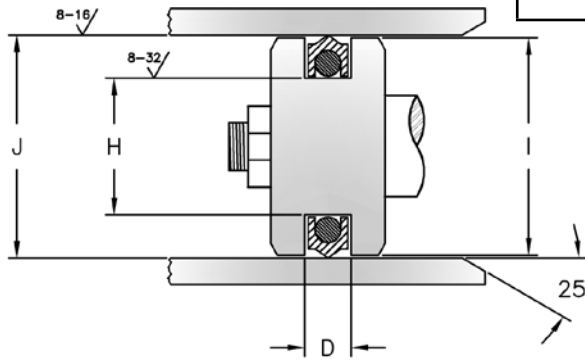
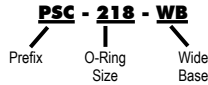
STYLE PSC PISTON SEALS

The Style PSC is a double acting piston seal designed to replace o-rings, quad-rings, and T-seals with the same groove dimensions (O-ring dash number). Style 575 urethane back-up rings may be added to either or both sides of the "PSC" to accommodate wider groove widths. The PSC is made of 95A Durometer polyurethane, giving it high extrusion and abrasion resistance. The crowned sealing surface produces a positive seal from vacuum to high pressure.

Hercules® Sealing Products also offers a wide base (WB) Style PSC piston seal. These wide base seals have the same characteristics of the standard PSC seals but offer a wider base, eliminating the need to use back-up rings to accommodate wider grooves. **NOTE:** Piston diameter "I" dimensions are given for piston without wear rings.



HERCULES PART NUMBERS



SEAL INFORMATION	
MATERIAL	95A POLYURETHANE SEAL 70A NITRILE ENERGIZER
TEMPERATURE RANGE	-40° TO +200° F
PRESSURE RANGE	0 TO 5,000 PSI
SPEED	3 FT/SEC

Part Number	A Nom. ID	B Nom. OD	C Nom. Ht	O-RING DASH NUMBER	D GROOVE WIDTH	H GROOVE DIAMETER	I PISTON DIAMETER	J BORE DIAMETER	List Price
PSC-203	5/16	9/16	.15	-203	.185 ^{+0.005} / _{+0.000}	.315 ^{+0.000} / _{-0.002}	.559 ^{+0.000} / _{-0.002}	.562 ±.001	\$ 7.40
PSC-204	3/8	5/8	.15	-204	.185 ^{+0.005} / _{+0.000}	.378 ^{+0.000} / _{-0.002}	.622 ^{+0.000} / _{-0.002}	.625 ±.001	7.42
PSC-205	7/16	11/16	.15	-205	.185 ^{+0.005} / _{+0.000}	.440 ^{+0.000} / _{-0.002}	.684 ^{+0.000} / _{-0.002}	.687 ±.001	7.59
PSC-207	9/16	13/16	.15	-207	.185 ^{+0.005} / _{+0.000}	.565 ^{+0.000} / _{-0.002}	.809 ^{+0.000} / _{-0.002}	.812 ±.001	19.38
PSC-208	5/8	7/8	.15	-208	.185 ^{+0.005} / _{+0.000}	.628 ^{+0.000} / _{-0.002}	.872 ^{+0.000} / _{-0.002}	.875 ±.001	8.34
PSC-210	3/4	1	.15	-210	.185 ^{+0.005} / _{+0.000}	.754 ^{+0.000} / _{-0.002}	.998 ^{+0.000} / _{-0.002}	1.000 ^{+0.002} / _{+0.000}	5.42
PSC-211	13/16	1-1/16	.15	-211	.185 ^{+0.005} / _{+0.000}	.816 ^{+0.000} / _{-0.002}	1.060 ^{+0.000} / _{-0.002}	1.062 ^{+0.002} / _{+0.000}	9.26
PSC-212	7/8	1-1/8	.15	-212	.185 ^{+0.005} / _{+0.000}	.879 ^{+0.000} / _{-0.002}	1.123 ^{+0.000} / _{-0.002}	1.125 ^{+0.002} / _{+0.000}	9.26
PSC-213	15/16	1-3/16	.15	-213	.185 ^{+0.005} / _{+0.000}	.941 ^{+0.000} / _{-0.002}	1.185 ^{+0.000} / _{-0.002}	1.187 ^{+0.002} / _{+0.000}	17.12
PSC-214	1	1-1/4	.15	-214	.185 ^{+0.005} / _{+0.000}	1.004 ^{+0.000} / _{-0.002}	1.248 ^{+0.000} / _{-0.002}	1.250 ^{+0.002} / _{+0.000}	13.09
PSC-216	1-1/8	1-3/8	.15	-216	.185 ^{+0.005} / _{+0.000}	1.129 ^{+0.000} / _{-0.002}	1.373 ^{+0.000} / _{-0.002}	1.375 ^{+0.002} / _{+0.000}	9.26
PSC-218	1-1/4	1-1/2	.15	-218	.185 ^{+0.005} / _{+0.000}	1.254 ^{+0.000} / _{-0.002}	1.498 ^{+0.000} / _{-0.002}	1.500 ^{+0.002} / _{+0.000}	9.26

STYLE PSC PISTON SEALS



PISTON SEAL ASSEMBLIES

Part Number	A Nom. ID	B Nom. OD	C Nom. Ht	O-RING DASH NUMBER	D GROOVE WIDTH	H GROOVE DIAMETER	I PISTON DIAMETER	J BORE DIAMETER	List Price
PSC-218-WB	1-1/4	1-1/2	.265	-218	.304 ⁺⁰¹⁰ / ₊₀₀₀	1.254 ⁺⁰⁰⁰ / ₋₀₀₂	1.498 ⁺⁰⁰⁰ / ₋₀₀₂	1.500 ⁺⁰⁰² / ₊₀₀₀	14.51
PSC-220	1-3/8	1-5/8	.15	-220	.185 ⁺⁰⁰⁵ / ₊₀₀₀	1.379 ⁺⁰⁰⁰ / ₋₀₀₂	1.623 ⁺⁰⁰⁰ / ₋₀₀₂	1.625 ⁺⁰⁰² / ₊₀₀₀	10.06
PSC-222	1-1/2	1-3/4	.15	-222	.185 ⁺⁰⁰⁵ / ₊₀₀₀	1.504 ⁺⁰⁰⁰ / ₋₀₀₂	1.748 ⁺⁰⁰⁰ / ₋₀₀₂	1.750 ⁺⁰⁰² / ₊₀₀₀	10.48
PSC-222-WB	1-1/2	1-3/4	.265	-222	.304 ⁺⁰¹⁰ / ₊₀₀₀	1.504 ⁺⁰⁰⁰ / ₋₀₀₂	1.748 ⁺⁰⁰⁰ / ₋₀₀₂	1.750 ⁺⁰⁰² / ₊₀₀₀	16.72
PSC-325	1-1/2	1-7/8	.255	-325	.280 ⁺⁰⁰⁵ / ₊₀₀₀	1.500 ⁺⁰⁰⁰ / ₋₀₀₂	1.873 ⁺⁰⁰⁰ / ₋₀₀₂	1.875 ⁺⁰⁰² / ₊₀₀₀	11.11
PSC-326	1-5/8	2	.255	-326	.280 ⁺⁰⁰⁵ / ₊₀₀₀	1.625 ⁺⁰⁰⁰ / ₋₀₀₂	1.998 ⁺⁰⁰⁰ / ₋₀₀₂	2.000 ⁺⁰⁰² / ₊₀₀₀	12.17
PSC-326-WB	1-5/8	2	3/8	-326	.424 ⁺⁰¹⁰ / ₊₀₀₀	1.625 ⁺⁰⁰⁰ / ₋₀₀₂	1.998 ⁺⁰⁰⁰ / ₋₀₀₂	2.000 ⁺⁰⁰² / ₊₀₀₀	18.96
PSC-328	1-7/8	2-1/4	.255	-328	.280 ⁺⁰⁰⁵ / ₊₀₀₀	1.875 ⁺⁰⁰⁰ / ₋₀₀₂	2.248 ⁺⁰⁰⁰ / ₋₀₀₂	2.250 ⁺⁰⁰² / ₊₀₀₀	13.34
PSC-329	2	2-3/8	.255	-329	.280 ⁺⁰⁰⁵ / ₊₀₀₀	2.000 ⁺⁰⁰⁰ / ₋₀₀₂	2.373 ⁺⁰⁰⁰ / ₋₀₀₂	2.375 ⁺⁰⁰² / ₊₀₀₀	14.31
PSC-330	2-1/8	2-1/2	.255	-330	.280 ⁺⁰⁰⁵ / ₊₀₀₀	2.125 ⁺⁰⁰⁰ / ₋₀₀₂	2.498 ⁺⁰⁰⁰ / ₋₀₀₂	2.500 ⁺⁰⁰² / ₊₀₀₀	15.08
PSC-330-WB	2-1/8	2-1/2	3/8	-330	.424 ⁺⁰¹⁰ / ₊₀₀₀	2.125 ⁺⁰⁰⁰ / ₋₀₀₂	2.498 ⁺⁰⁰⁰ / ₋₀₀₂	2.500 ⁺⁰⁰² / ₊₀₀₀	23.88
PSC-332	2-3/8	2-3/4	.255	-332	.280 ⁺⁰⁰⁵ / ₊₀₀₀	2.374 ⁺⁰⁰⁰ / ₋₀₀₄	2.747 ⁺⁰⁰⁰ / ₋₀₀₄	2.750 ⁺⁰⁰³ / ₋₀₀₁	17.80
PSC-332-WB	2-3/8	2-3/4	3/8	-332	.424 ⁺⁰¹⁰ / ₊₀₀₀	2.374 ⁺⁰⁰⁰ / ₋₀₀₄	2.747 ⁺⁰⁰⁰ / ₋₀₀₄	2.750 ⁺⁰⁰³ / ₋₀₀₁	38.03
PSC-334A-WB	2-1/2	3	3/8	N/A	.424 ⁺⁰¹⁰ / ₊₀₀₀	2.500 ⁺⁰⁰¹ / ₋₀₀₃	2.997 ⁺⁰⁰⁰ / ₋₀₀₄	3.000 ⁺⁰⁰³ / ₋₀₀₁	31.25
PSC-334	2-5/8	3	.255	-334	.280 ⁺⁰⁰⁵ / ₊₀₀₀	2.625 ⁺⁰⁰¹ / ₋₀₀₃	2.997 ⁺⁰⁰⁰ / ₋₀₀₄	3.000 ⁺⁰⁰³ / ₋₀₀₁	19.84
PSC-334-WB	2-5/8	3	3/8	-334	.424 ⁺⁰¹⁰ / ₊₀₀₀	2.625 ⁺⁰⁰¹ / ₋₀₀₃	2.997 ⁺⁰⁰⁰ / ₋₀₀₄	3.000 ⁺⁰⁰³ / ₋₀₀₁	28.74
PSC-335	2.755	3-1/8	1/4	-335	.281 ⁺⁰⁰⁵ / ₊₀₀₀	2.755 ⁺⁰⁰⁰ / ₋₀₀₂	3.123 ⁺⁰⁰⁰ / ₋₀₀₂	3.125 ⁺⁰⁰² / ₊₀₀₀	25.20
PSC-336	2-7/8	3-1/4	.255	-336	.280 ⁺⁰⁰⁵ / ₊₀₀₀	2.875 ⁺⁰⁰¹ / ₋₀₀₅	3.247 ⁺⁰⁰⁰ / ₋₀₀₄	3.250 ⁺⁰⁰³ / ₋₀₀₁	28.85
PSC-337	3	3-3/8	.255	-337	.280 ⁺⁰⁰⁵ / ₊₀₀₀	3.000 ⁺⁰⁰⁰ / ₋₀₀₄	3.373 ⁺⁰⁰⁰ / ₋₀₀₄	3.375 ⁺⁰⁰⁴ / ₊₀₀₀	33.43
PSC-338	3-1/8	3-1/2	.255	-338	.280 ⁺⁰⁰⁵ / ₊₀₀₀	3.125 ⁺⁰⁰⁰ / ₋₀₀₄	3.498 ⁺⁰⁰⁰ / ₋₀₀₄	3.500 ⁺⁰⁰⁴ / ₊₀₀₀	23.32
PSC-338-WB	3-1/8	3-1/2	3/8	-338	.424 ⁺⁰¹⁰ / ₊₀₀₀	3.125 ⁺⁰⁰⁰ / ₋₀₀₄	3.498 ⁺⁰⁰⁰ / ₋₀₀₄	3.500 ⁺⁰⁰⁴ / ₊₀₀₀	28.78
PSC-339	3-1/4	3-5/8	.255	-339	.280 ⁺⁰⁰⁵ / ₊₀₀₀	3.250 ⁺⁰⁰⁰ / ₋₀₀₄	3.623 ⁺⁰⁰⁰ / ₋₀₀₄	3.625 ⁺⁰⁰⁴ / ₊₀₀₀	35.99
PSC-340	3-3/8	3-3/4	.255	-340	.280 ⁺⁰⁰⁵ / ₊₀₀₀	3.375 ⁺⁰⁰⁰ / ₋₀₀₄	3.748 ⁺⁰⁰⁰ / ₋₀₀₄	3.750 ⁺⁰⁰⁶ / ₊₀₀₂	25.19
PSC-341	3-1/2	3-7/8	.255	-341	.280 ⁺⁰⁰⁵ / ₊₀₀₀	3.500 ⁺⁰⁰⁰ / ₋₀₀₄	3.873 ⁺⁰⁰⁰ / ₋₀₀₄	3.875 ⁺⁰⁰⁴ / ₊₀₀₀	39.74
PSC-342A-WB	3-1/2	4	3/8	N/A	.424 ⁺⁰¹⁰ / ₊₀₀₀	3.500 ⁺⁰⁰⁰ / ₋₀₀₄	3.998 ⁺⁰⁰⁰ / ₋₀₀₄	4.000 ⁺⁰⁰⁴ / ₊₀₀₀	48.54
PSC-342	3-5/8	4	.255	-342	.280 ⁺⁰⁰⁵ / ₊₀₀₀	3.625 ⁺⁰⁰⁰ / ₋₀₀₄	3.998 ⁺⁰⁰⁰ / ₋₀₀₄	4.000 ⁺⁰⁰⁴ / ₊₀₀₀	27.67
PSC-342-WB	3-5/8	4	3/8	-342	.424 ⁺⁰¹⁰ / ₊₀₀₀	3.625 ⁺⁰⁰⁰ / ₋₀₀₄	3.998 ⁺⁰⁰⁰ / ₋₀₀₄	4.000 ⁺⁰⁰⁴ / ₊₀₀₀	42.69
PSC-344	3-7/8	4-1/4	.255	-344	.280 ⁺⁰⁰⁵ / ₊₀₀₀	3.875 ⁺⁰⁰⁰ / ₋₀₀₄	4.248 ⁺⁰⁰⁰ / ₋₀₀₄	4.250 ⁺⁰⁰⁴ / ₊₀₀₀	31.58
PSC-346	4-1/8	4-1/2	.255	-346	.280 ⁺⁰⁰⁵ / ₊₀₀₀	4.125 ⁺⁰⁰⁰ / ₋₀₀₄	4.498 ⁺⁰⁰⁰ / ₋₀₀₄	4.500 ⁺⁰⁰⁴ / ₊₀₀₀	46.48
PSC-347	4-1/4	4-5/8	.255	-347	.280 ⁺⁰⁰⁵ / ₊₀₀₀	4.250 ⁺⁰⁰⁰ / ₋₀₀₄	4.623 ⁺⁰⁰⁰ / ₋₀₀₄	4.625 ⁺⁰⁰⁴ / ₊₀₀₀	48.35
PSC-350	4-5/8	5	.255	-350	.280 ⁺⁰⁰⁵ / ₊₀₀₀	4.625 ⁺⁰⁰¹ / ₋₀₀₃	4.999 ⁺⁰⁰⁰ / ₋₀₀₄	5.000 ⁺⁰⁰⁵ / ₊₀₀₁	44.83
PSC-429	5	5-1/2	.32	-429	.365 ⁺⁰⁰⁶ / ₊₀₀₀	5.021 ⁺⁰⁰⁰ / ₋₀₀₄	5.499 ⁺⁰⁰⁰ / ₋₀₀₄	5.500 ⁺⁰⁰⁵ / ₊₀₀₁	54.31
PSC-433	5-1/2	6	.32	-433	.365 ⁺⁰⁰⁶ / ₊₀₀₀	5.521 ⁺⁰⁰⁰ / ₋₀₀₄	5.999 ⁺⁰⁰⁰ / ₋₀₀₄	6.000 ⁺⁰⁰⁵ / ₊₀₀₁	68.08

FORMERLY LISTED REPAIR PARTS ARE AVAILABLE ONLINE AT WWW.HERCULESUS.COM
OR BY CONTACTING YOUR REGIONAL HERCULES SALES TEAM.

STYLE PSC PISTON SEALS

PISTON SEAL ASSEMBLIES

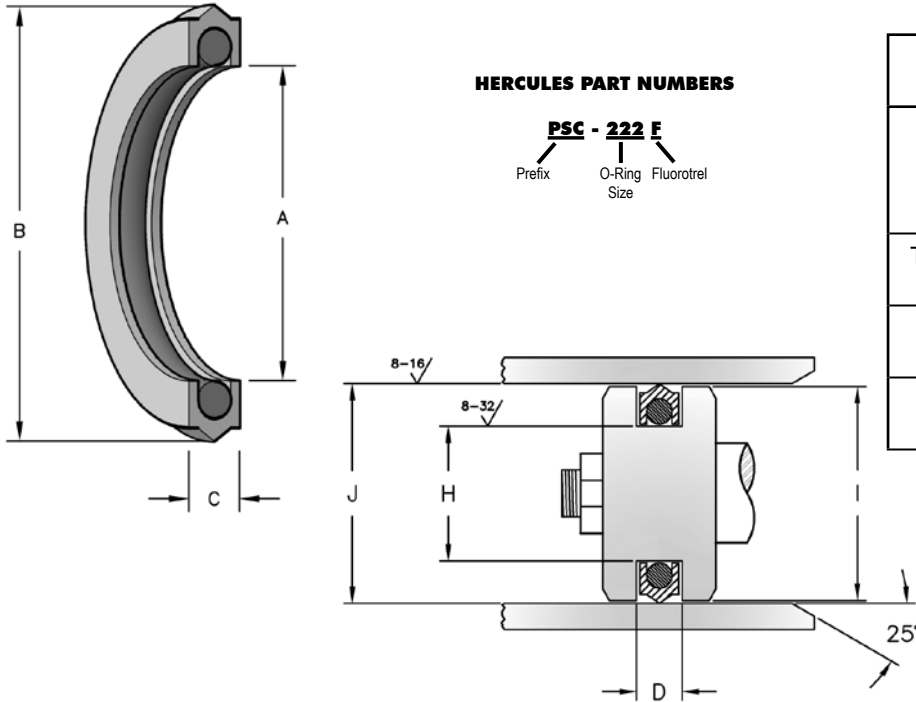
Part Number	A Nom. ID	B Nom. OD	C Nom. Ht	O-RING DASH NUMBER	D GROOVE WIDTH	H GROOVE DIAMETER	I PISTON DIAMETER	J BORE DIAMETER	List Price
PSC-433-WB	5-1/2	6	1/2	-433	.579 ⁺⁰¹⁰ / ₊₀₀₀	5.521 ⁺⁰⁰⁰ / ₋₀₀₄	5.999 ⁺⁰⁰⁰ / ₋₀₀₄	6.000 ⁺⁰⁰⁵ / ₊₀₀₁	93.66
PSC-437	6	6-1/2	.32	-437	.365 ⁺⁰⁰⁶ / ₊₀₀₀	6.020 ⁺⁰⁰⁰ / ₋₀₀₆	6.498 ⁺⁰⁰⁰ / ₋₀₀₆	6.500 ⁺⁰⁰⁶ / ₊₀₀₀	73.81
PSC-439	6-1/2	7	.32	-439	.365 ⁺⁰⁰⁶ / ₊₀₀₀	6.520 ⁺⁰⁰⁰ / ₋₀₀₆	6.998 ⁺⁰⁰⁰ / ₋₀₀₆	7.000 ⁺⁰⁰⁶ / ₊₀₀₀	78.20
PSC-441	7	7-1/2	.32	-441	.365 ⁺⁰⁰⁶ / ₊₀₀₀	7.020 ⁺⁰⁰⁰ / ₋₀₀₆	7.498 ⁺⁰⁰⁰ / ₋₀₀₆	7.500 ⁺⁰⁰⁶ / ₊₀₀₀	88.19
PSC-442	7-1/4	7-3/4	.32	-442	.365 ⁺⁰⁰⁶ / ₊₀₀₀	7.270 ⁺⁰⁰⁰ / ₋₀₀₆	7.748 ⁺⁰⁰⁰ / ₋₀₀₆	7.750 ⁺⁰⁰⁶ / ₊₀₀₀	126.50
PSC-443	7-1/2	8	.32	-443	.365 ⁺⁰⁰⁶ / ₊₀₀₀	7.520 ⁺⁰⁰⁰ / ₋₀₀₆	7.998 ⁺⁰⁰⁰ / ₋₀₀₆	8.000 ⁺⁰⁰⁶ / ₊₀₀₀	91.47
PSC-444	7-3/4	8-1/4	.32	-444	.365 ⁺⁰⁰⁶ / ₊₀₀₀	7.770 ⁺⁰⁰⁰ / ₋₀₀₆	8.248 ⁺⁰⁰⁰ / ₋₀₀₆	8.250 ⁺⁰⁰⁶ / ₊₀₀₀	93.48
PSC-445	8	8-1/2	.32	-445	.365 ⁺⁰⁰⁶ / ₊₀₀₀	8.020 ⁺⁰⁰⁰ / ₋₀₀₆	8.498 ⁺⁰⁰⁰ / ₋₀₀₆	8.500 ⁺⁰⁰⁶ / ₊₀₀₀	98.33
PSC-446	8-1/2	9	.32	-446	.365 ⁺⁰⁰⁶ / ₊₀₀₀	8.520 ⁺⁰⁰⁰ / ₋₀₀₆	8.998 ⁺⁰⁰⁰ / ₋₀₀₆	9.000 ⁺⁰⁰⁶ / ₊₀₀₀	98.59
PSC-447	9	9-1/2	.32	-447	.365 ⁺⁰⁰⁶ / ₊₀₀₀	9.020 ⁺⁰⁰⁰ / ₋₀₀₆	9.498 ⁺⁰⁰⁰ / ₋₀₀₆	9.500 ⁺⁰⁰⁶ / ₊₀₀₀	100.84
PSC-448	9-1/2	10	.32	-448	.365 ⁺⁰⁰⁶ / ₊₀₀₀	9.520 ⁺⁰⁰⁰ / ₋₀₀₆	9.998 ⁺⁰⁰⁰ / ₋₀₀₆	10.000 ⁺⁰⁰⁶ / ₊₀₀₀	113.18
PSC-449	10	10-1/2	.32	-449	.365 ⁺⁰⁰⁶ / ₊₀₀₀	10.020 ⁺⁰⁰⁰ / ₋₀₀₆	10.498 ⁺⁰⁰⁰ / ₋₀₀₆	10.500 ⁺⁰⁰⁶ / ₊₀₀₀	117.61
PSC-450	10-1/2	11	.32	-450	.365 ⁺⁰⁰⁶ / ₊₀₀₀	10.520 ⁺⁰⁰⁰ / ₋₀₀₆	10.998 ⁺⁰⁰⁰ / ₋₀₀₆	11.000 ⁺⁰⁰⁶ / ₊₀₀₀	121.11
PSC-451	11	11-1/2	.32	-451	.365 ⁺⁰⁰⁶ / ₊₀₀₀	11.020 ⁺⁰⁰⁰ / ₋₀₀₆	11.498 ⁺⁰⁰⁰ / ₋₀₀₆	11.500 ⁺⁰⁰⁶ / ₊₀₀₀	174.52
PSC-452	11-1/2	12	.32	-452	.365 ⁺⁰⁰⁶ / ₊₀₀₀	11.520 ⁺⁰⁰⁰ / ₋₀₀₆	11.998 ⁺⁰⁰⁰ / ₋₀₀₆	12.000 ⁺⁰⁰⁶ / ₊₀₀₀	195.42
PSC-456	13-1/2	14	.32	-456	.365 ⁺⁰⁰⁶ / ₊₀₀₀	13.520 ⁺⁰⁰⁰ / ₋₀₀₆	13.998 ⁺⁰⁰⁰ / ₋₀₀₆	14.000 ⁺⁰⁰⁶ / ₊₀₀₀	253.94

STYLE PSC PISTON SEALS - FLUOROTREL COMPOUND



These Style PSC are molded from Fluorotrel which is a tough, wear-resistant material able to run at temperatures up to 275° F (requires FKM energizer). Fluorotrel is also resistant to fluids that are incompatible with polyurethane such as water, glycol, water in oil, mineral oil and petroleum. Consult our Engineering Department for other fluids compatible with Fluorotrel.

NOTE: Piston diameter "I" dimensions are given for pistons without wear rings.



HERCULES PART NUMBERS



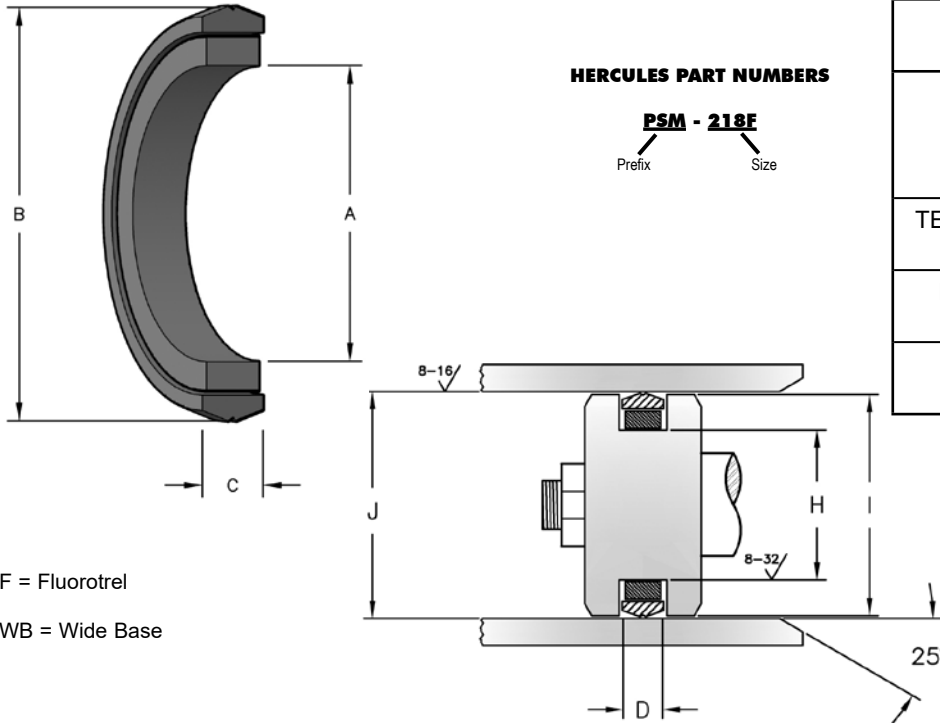
SEAL INFORMATION

MATERIAL	55D FLUOROTREL SEAL 70A NITRILE ENERGIZER
TEMPERATURE RANGE	-40° TO +235° F
PRESSURE RANGE	0 TO 5,000 PSI
SPEED	3 FT/SEC

Part Number	A Nom. ID	B Nom. OD	C Nom. Ht	O-RING DASH NUMBER	D GROOVE WIDTH	H GROOVE DIAMETER	I PISTON DIAMETER	J BORE DIAMETER	List Price
PSC-222F	1-1/2	1-3/4	.15	-222	.185 ^{+0.005} / _{+0.000}	1.504 ^{+0.000} / _{-0.002}	1.748 ^{+0.000} / _{-0.002}	1.750 ^{+0.002} / _{+0.000}	\$15.65
PSC-326F	1-5/8	2	.255	-326	.280 ^{+0.005} / _{+0.000}	1.625 ^{+0.000} / _{-0.002}	1.998 ^{+0.000} / _{-0.002}	2.000 ^{+0.002} / _{+0.000}	17.71
PSC-328F	1-7/8	2-1/4	.255	-328	.280 ^{+0.005} / _{+0.000}	1.875 ^{+0.000} / _{-0.002}	2.248 ^{+0.000} / _{-0.002}	2.250 ^{+0.002} / _{+0.000}	20.67
PSC-330F	2-1/8	2-1/2	.255	-330	.280 ^{+0.005} / _{+0.000}	2.125 ^{+0.000} / _{-0.002}	2.498 ^{+0.000} / _{-0.002}	2.500 ^{+0.002} / _{+0.000}	23.55
PSC-332F	2-3/8	2-3/4	.255	-332	.280 ^{+0.005} / _{+0.000}	2.374 ^{+0.000} / _{-0.004}	2.747 ^{+0.000} / _{-0.004}	2.749 ^{+0.004} / _{+0.000}	25.57
PSC-333F	2-1/2	2-7/8	.255	-333	.280 ^{+0.005} / _{+0.000}	2.499 ^{+0.000} / _{-0.004}	2.872 ^{+0.000} / _{-0.004}	2.874 ^{+0.004} / _{+0.000}	26.30
PSC-334F	2-5/8	3	.255	-334	.280 ^{+0.005} / _{+0.000}	2.625 ^{+0.000} / _{-0.003}	2.997 ^{+0.000} / _{-0.004}	3.000 ^{+0.003} / _{-0.001}	27.50
PSC-335F	2-3/4	3-1/8	.255	-335	.280 ^{+0.005} / _{+0.000}	2.750 ^{+0.000} / _{-0.005}	3.122 ^{+0.000} / _{-0.004}	3.125 ^{+0.003} / _{-0.001}	28.75
PSC-338F	3-1/8	3-1/2	.255	-338	.280 ^{+0.005} / _{+0.000}	3.125 ^{+0.000} / _{-0.004}	3.498 ^{+0.000} / _{-0.004}	3.500 ^{+0.004} / _{+0.000}	32.46
PSC-340F	3-3/8	3-3/4	.255	-340	.280 ^{+0.005} / _{+0.000}	3.375 ^{+0.000} / _{-0.004}	3.748 ^{+0.000} / _{-0.004}	3.752 ^{+0.004} / _{+0.000}	35.40
PSC-342F	3-5/8	4	.255	-342	.280 ^{+0.005} / _{+0.000}	3.625 ^{+0.000} / _{-0.004}	3.998 ^{+0.000} / _{-0.004}	4.000 ^{+0.004} / _{+0.000}	39.41
PSC-343F	3-3/4	4-1/8	.255	-343	.280 ^{+0.005} / _{+0.000}	3.750 ^{+0.000} / _{-0.004}	4.123 ^{+0.000} / _{-0.004}	4.125 ^{+0.004} / _{+0.000}	40.29
PSC-346F	4-1/8	4-1/2	.255	-346	.280 ^{+0.005} / _{+0.000}	4.125 ^{+0.000} / _{-0.004}	4.498 ^{+0.000} / _{-0.004}	4.500 ^{+0.004} / _{+0.000}	48.08
PSC-350F	4-5/8	5	.255	-350	.280 ^{+0.005} / _{+0.000}	4.625 ^{+0.001} / _{-0.003}	4.999 ^{+0.000} / _{-0.004}	5.000 ^{+0.005} / _{+0.001}	59.02
PSC-433F	5-1/2	6	.32	-433	.365 ^{+0.006} / _{+0.000}	5.521 ^{+0.000} / _{-0.004}	5.999 ^{+0.000} / _{-0.004}	6.001 ^{+0.004} / _{+0.000}	85.46

STYLE PSM URETHANE PISTON SEALS

Molded from 93 Shore A polyurethane with a 70 Shore A energizer, this seal utilizes the same groove dimensions as a standard o-ring or T-seal. One or two Style 575 back-up rings may be used for wider grooves. Extrusion resistant by design, this seal is also resistant to rolling and twisting. Installation is an easy two step snap-in procedure with no need to re-size before insertion into the bore. **NOTE:** Piston diameter "I" dimensions are given for pistons without wear rings.



SEAL INFORMATION	
MATERIAL	93A URETHANE SEAL 70A NITRILE ENERGIZER
TEMPERATURE RANGE	-40° TO +220° F
PRESSURE RANGE	0 TO 5,000 PSI
SPEED	3 FT/SEC

F = Fluorotrel

WB = Wide Base

Part Number	A Nom. ID	B Nom. OD	C Nom. Ht	O-RING DASH NUMBER	D GROOVE WIDTH	H GROOVE DIAMETER	I PISTON DIAMETER	J BORE DIAMETER	List Price
PSM-218F	1-1/4	1-1/2	.15	-218	.185 ^{+0.005} / _{+0.000}	1.254 ^{+0.000} / _{-.002}	1.498 ^{+0.000} / _{-.002}	1.500 ^{+0.002} / _{+0.000}	\$ 13.34
PSM-218	1-1/4	1-1/2	.165	-218	.187 ±0.002	1.258 ±0.002	1.498 ^{+0.000} / _{-.002}	1.500 ±0.002	10.20
PSM-218-WB	1-1/4	1-1/2	.265	-218	.275 ^{+0.005} / _{+0.000}	1.258 ^{+0.000} / _{-.002}	1.497 ^{+0.000} / _{-.001}	1.500 ^{+0.003} / _{+0.000}	13.44
PSM-222	1-1/2	1-3/4	.165	-222	.187 ±0.002	1.508 ±0.002	1.748 ^{+0.000} / _{-.002}	1.750 ±0.002	11.84
PSM-326	1-5/8	2	.265	-326	.281 ±0.002	1.630 ±0.002	1.998 ^{+0.000} / _{-.002}	2.000 ±0.002	13.88
PSM-326-WB	1-5/8	2	.395	-326	.410 ^{+0.005} / _{+0.000}	1.630 ^{+0.000} / _{-.003}	1.997 ^{+0.000} / _{-.001}	2.000 ^{+0.003} / _{+0.000}	17.16
PSM-328	1-7/8	2-1/4	.265	-328	.281 ±0.002	1.880 ±0.002	2.248 ^{+0.000} / _{-.002}	2.250 ±0.002	15.13
PSM-329	2	2-3/8	.265	-329	.281 ±0.002	2.005 ±0.002	2.373 ^{+0.000} / _{-.002}	2.375 ±0.002	15.13
PSM-330	2-1/8	2-1/2	.265	-330	.281 ±0.002	2.130 ±0.002	2.498 ^{+0.000} / _{-.002}	2.500 ±0.002	17.13
PSM-330-WB	2-1/8	2-1/2	.395	-330	.410 ^{+0.005} / _{+0.000}	2.130 ^{+0.000} / _{-.003}	2.497 ^{+0.000} / _{-.001}	2.500 ^{+0.003} / _{+0.000}	23.01
PSM-332	2-3/8	2-3/4	.265	-332	.281 ±0.002	2.380 ±0.002	2.747 ^{+0.000} / _{-.004}	2.750 ±0.002	18.46
PSM-48A	2-3/8	3	.235	N/A	.250 ^{+0.005} / _{+0.000}	2.380 ^{+0.000} / _{-.004}	2.997 ^{+0.000} / _{-.004}	3.000 ^{+0.004} / _{+0.000}	67.56
PSM-334	2-5/8	3	.265	-334	.281 ±0.002	2.630 ±0.002	2.997 ^{+0.000} / _{-.004}	3.000 ±0.002	20.45
PSM-334-WB	2-5/8	3	.395	-334	.410 ^{+0.005} / _{+0.000}	2.630 ^{+0.000} / _{-.004}	2.997 ^{+0.000} / _{-.001}	3.000 ^{+0.004} / _{+0.000}	26.64
PSM-336	2-7/8	3-1/4	.265	-336	.281 ±0.002	2.880 ±0.002	3.247 ^{+0.000} / _{-.004}	3.250 ±0.002	20.45

STYLE PSM URETHANE PISTON SEALS

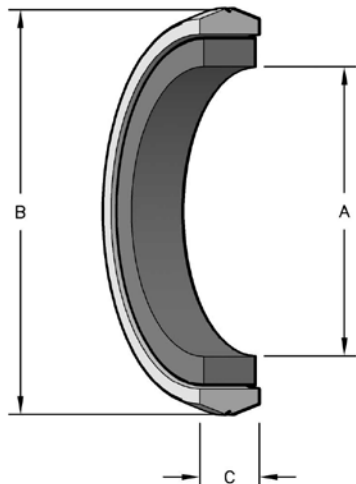


PISTON SEAL ASSEMBLIES

Part Number	A Nom. ID	B Nom. OD	C Nom. Ht	O-RING DASH NUMBER	D GROOVE WIDTH	H GROOVE DIAMETER	I PISTON DIAMETER	J BORE DIAMETER	List Price
PSM-338	3-1/8	3-1/2	.265	-338	.281 ±.002	3.130 ±.002	3.498 ^{+.000} / _{-.004}	3.500 ±.002	23.76
PSM-338-WB	3-1/8	3-1/2	.395	-338	.410 ^{+.005} / _{+.000}	3.130 ^{+.000} / _{-.004}	3.497 ^{+.000} / _{-.001}	3.500 ^{+.004} / _{+.000}	31.56
PSM-340	3-3/8	3-3/4	.265	-340	.281 ±.002	3.380 ^{-.008} / _{-.002}	3.748 ^{+.000} / _{-.004}	3.750 ±.002	26.39
PSM-342	3-5/8	4	.265	-342	.281 ±.002	3.630 ±.002	3.998 ^{+.000} / _{-.004}	4.000 ±.002	30.27
PSM-342-WB	3-5/8	4	.395	-342	.410 ^{+.005} / _{+.000}	3.630 ^{+.000} / _{-.004}	3.997 ^{+.000} / _{-.001}	4.000 ^{+.004} / _{+.000}	38.22
PSM-344	3-7/8	4-1/4	.265	-344	.281 ±.002	3.880 ±.002	4.248 ^{+.000} / _{-.004}	4.250 ±.002	32.95
PSM-346	4-1/8	4-1/2	.265	-346	.281 ±.002	4.130 ±.002	4.498 ^{+.000} / _{-.004}	4.500 ±.002	34.19
PSM-425-WB	4-1/2	5	.518	-425	.538 ^{+.005} / _{+.000}	4.528 ^{+.000} / _{-.004}	4.997 ^{+.000} / _{-.001}	5.000 ^{+.004} / _{+.000}	57.54
PSM-350	4-5/8	5	.265	-350	.281 ±.002	4.630 ±.002	4.999 ^{+.000} / _{-.004}	5.000 ±.002	48.62
PSM-429	5	5-1/2	.35	-429	.375 ±.002	5.028 ±.002	5.499 ^{+.000} / _{-.004}	5.502 ±.002	57.21
PSM-433	5-1/2	6	.35	-433	.375 ±.002	5.528 ±.002	5.999 ^{+.000} / _{-.004}	6.002 ±.002	62.60
PSM-433-WB	5-1/2	6	.518	-433	.538 ^{+.005} / _{+.000}	5.528 ^{+.000} / _{-.004}	5.997 ^{+.000} / _{-.001}	6.000 ^{+.004} / _{+.000}	77.93
PSM-437	6	6-1/2	.35	-437	.375 ±.002	6.028 ±.002	6.498 ^{+.000} / _{-.006}	6.502 ±.002	66.45
PSM-439	6-1/2	7	.35	-439	.375 ±.002	6.528 ±.002	6.998 ^{+.000} / _{-.006}	7.002 ±.002	71.02
PSM-441	7	7-1/2	.35	-441	.365 ^{+.006} / _{+.000}	7.020 ^{+.000} / _{-.006}	7.498 ^{+.000} / _{-.006}	7.500 ^{+.006} / _{+.000}	76.94
PSM-443	7-1/2	8	.35	-443	.365 ^{+.006} / _{+.000}	7.520 ^{+.000} / _{-.006}	7.998 ^{+.000} / _{-.006}	8.000 ^{+.006} / _{+.000}	78.96
PSM-445	8	8-1/2	.35	-445	.365 ^{+.006} / _{+.000}	8.020 ^{+.000} / _{-.006}	8.498 ^{+.000} / _{-.006}	8.500 ^{+.006} / _{+.000}	82.85
PSM-446	8-1/2	9	.35	-446	.365 ^{+.006} / _{+.000}	8.520 ^{+.000} / _{-.006}	8.998 ^{+.000} / _{-.006}	9.000 ^{+.006} / _{+.000}	82.85

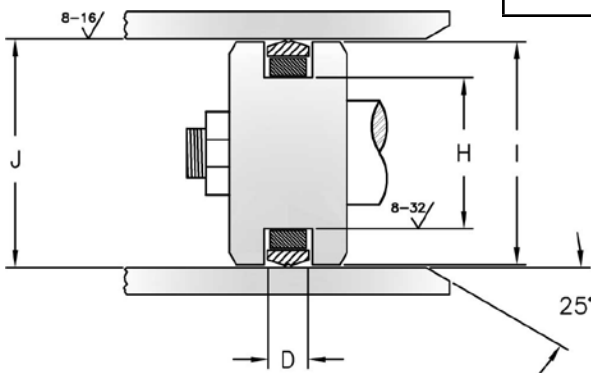
STYLE PSM-DPAC URETHANE PISTON SEALS

This style of seal provides effective static and dynamic sealing while the groove on the sealing surface acts as a lubrication reservoir to reduce friction. Grooves on both sides prevent blow by during sudden pressure changes and a premium NBR square energizer prevents twisting. This product is molded from premium urethane which provides excellent extrusion and wear resistance.



HERCULES PART NUMBERS

PSM - 218 - DPAC
 Prefix Size



SEAL INFORMATION

MATERIAL	98A URETHANE SEAL NBR ENERGIZER
TEMPERATURE RANGE	-22°F TO 212°F
PRESSURE RANGE	0 TO 5800 PSI
SPEED	1.5 FT/SEC

Part Number	A Nom. ID	B Nom. OD	C Nom. Ht	O-RING DASH NUMBER	D GROOVE WIDTH	H GROOVE DIAMETER	I PISTON DIAMETER	J BORE DIAMETER	List Price
PSM-218-DPAC	1-1/4	1-1/2	.157	-218	.187 ^{+0.05} / _{+0.00}	1.258 ^{+0.00} / _{-0.03}	1.497 ^{+0.00} / _{-0.02}	1.500 ^{+0.03} / _{+0.00}	\$11.40
PSM-222-DPAC	1-1/2	1-3/4	.157	-222	.187 ^{+0.05} / _{+0.00}	1.508 ^{+0.00} / _{-0.03}	1.747 ^{+0.00} / _{-0.02}	1.750 ^{+0.03} / _{+0.00}	11.84
PSM-326-DPAC	1-5/8	2	1/4	-326	.281 ^{+0.05} / _{+0.00}	1.630 ^{+0.00} / _{-0.03}	1.997 ^{+0.00} / _{-0.02}	2.000 ^{+0.03} / _{+0.00}	9.47
PSM-328-DPAC	1-7/8	2-1/4	1/4	-328	.281 ^{+0.05} / _{+0.00}	1.880 ^{+0.00} / _{-0.03}	2.247 ^{+0.00} / _{-0.02}	2.250 ^{+0.03} / _{+0.00}	15.77
PSM-330-DPAC	2-1/8	2-1/2	1/4	-330	.281 ^{+0.05} / _{+0.00}	2.130 ^{+0.00} / _{-0.03}	2.497 ^{+0.00} / _{-0.02}	2.500 ^{+0.03} / _{+0.00}	16.63
PSM-332-DPAC	2-3/8	2-3/4	1/4	-332	.281 ^{+0.05} / _{+0.00}	2.380 ^{+0.00} / _{-0.03}	2.747 ^{+0.00} / _{-0.04}	2.750 ^{+0.03} / _{+0.00}	17.46
PSM-334-DPAC	2-5/8	3	1/4	-334	.281 ^{+0.05} / _{+0.00}	2.630 ^{+0.00} / _{-0.04}	2.997 ^{+0.00} / _{-0.04}	3.000 ^{+0.04} / _{+0.00}	15.89
PSM-336-DPAC	2-7/8	3-1/4	1/4	-336	.281 ^{+0.05} / _{+0.00}	2.880 ^{+0.00} / _{-0.04}	3.247 ^{+0.00} / _{-0.04}	3.250 ^{+0.04} / _{+0.00}	22.83
PSM-338-DPAC	3-1/8	3-1/2	1/4	-338	.281 ^{+0.05} / _{+0.00}	3.130 ^{+0.00} / _{-0.04}	3.497 ^{+0.00} / _{-0.04}	3.500 ^{+0.04} / _{+0.00}	24.25
PSM-340-DPAC	3-3/8	3-3/4	1/4	-340	.281 ^{+0.05} / _{+0.00}	3.380 ^{+0.00} / _{-0.04}	3.747 ^{+0.00} / _{-0.04}	3.750 ^{+0.04} / _{+0.00}	26.14
PSM-342-DPAC	3-5/8	4	1/4	-342	.281 ^{+0.05} / _{+0.00}	3.630 ^{+0.00} / _{-0.04}	3.997 ^{+0.00} / _{-0.04}	4.000 ^{+0.04} / _{+0.00}	28.67
PSM-344-DPAC	3-7/8	4-1/4	1/4	-344	.281 ^{+0.05} / _{+0.00}	3.880 ^{+0.00} / _{-0.04}	4.247 ^{+0.00} / _{-0.04}	4.250 ^{+0.04} / _{+0.00}	33.77
PSM-346-DPAC	4-1/8	4-1/2	1/4	-346	.281 ^{+0.05} / _{+0.00}	4.130 ^{+0.00} / _{-0.04}	4.497 ^{+0.00} / _{-0.04}	4.500 ^{+0.04} / _{+0.00}	29.95
PSM-348-DPAC	4-3/8	4-3/4	1/4	-348	.281 ^{+0.05} / _{+0.00}	4.380 ^{+0.00} / _{-0.04}	4.747 ^{+0.00} / _{-0.04}	4.750 ^{+0.04} / _{+0.00}	38.37
PSM-350-DPAC	4-5/8	5	1/4	-350	.281 ^{+0.05} / _{+0.00}	4.630 ^{+0.00} / _{-0.04}	4.998 ^{+0.00} / _{-0.04}	5.002 ^{+0.04} / _{+0.00}	40.75

STYLE PSM-DPAC URETHANE PISTON SEALS



Part Number	A Nom. ID	B Nom. OD	C Nom. Ht	O-RING DASH NUMBER	D GROOVE WIDTH	H GROOVE DIAMETER	I PISTON DIAMETER	J BORE DIAMETER	List Price
PSM-427-DPAC	4-3/4	5-1/4	.345	-427	.375 ^{+0.005} / _{+0.000}	4.778 ^{+0.000} / _{-.004}	5.248 ^{+0.000} / _{-.004}	5.252 ^{+0.004} / _{+0.000}	49.45
PSM-429-DPAC	5	5-1/2	.345	-429	.375 ^{+0.005} / _{+0.000}	5.028 ^{+0.000} / _{-.004}	5.498 ^{+0.000} / _{-.004}	5.520 ^{+0.004} / _{+0.000}	49.45
PSM-433-DPAC	5-1/2	6	.345	-433	.375 ^{+0.005} / _{+0.000}	5.528 ^{+0.000} / _{-.004}	5.998 ^{+0.000} / _{-.004}	6.002 ^{+0.004} / _{+0.000}	53.41

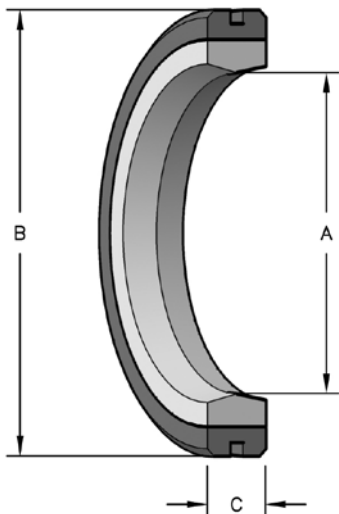
PISTON SEAL ASSEMBLIES



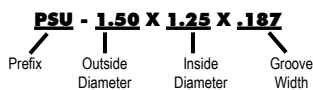
STYLE PSU PISTON SEALS

Our Style PSU piston seal, or uniring, is a laminated one piece double acting seal made of cast polyurethane. The tough outer layer is highly resistant to abrasion and is impregnated with molybdenum disulfide to reduce friction. The softer inner layer acts as a static seal and also energizes the OD to make full contact with the bore. This seal may be used to replace an existing Uniring or other seals of the same dimensions -- O-rings, O-rings with back-ups, T-seals, U-seals, etc. **NOTE:** Piston diameter "I" dimensions are given for pistons without wear rings.

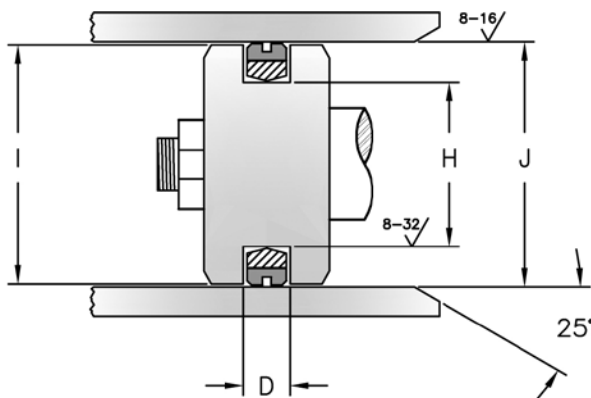
PISTON SEAL ASSEMBLIES



HERCULES PART NUMBERS



SEAL INFORMATION	
MATERIAL	60D & 57A URETHANE COMPOSITE
TEMPERATURE RANGE	-65° TO +220° F
PRESSURE RANGE	0 TO 5,000 PSI
SPEED	3 FT/SEC



Part Number	A Nom. ID	B Nom. OD	C Nom. Ht	D GROOVE WIDTH	H GROOVE DIAMETER	I PISTON DIAMETER	J BORE DIAMETER	List Price
PSU-1.50X1.00X.375	1	1-1/2	3/8	.394 ^{+0.015} / _{+0.000}	1.000 ^{+0.005} / _{+0.000}	1.499 ^{+0.000} / _{-0.004}	1.500 ^{+0.006} / _{+0.000}	\$13.42
PSU-1.50X1.12X.250	1-1/8	1-1/2	1/4	.263 ^{+0.015} / _{+0.000}	1.125 ^{+0.004} / _{+0.000}	1.499 ^{+0.000} / _{-0.004}	1.500 ^{+0.004} / _{+0.000}	10.10
PSU-1.50X1.25X.187	1-1/4	1-1/2	.187	.196 ^{+0.015} / _{+0.000}	1.250 ^{+0.003} / _{+0.000}	1.499 ^{+0.000} / _{-0.004}	1.500 ^{+0.003} / _{+0.000}	7.52
PSU-1.75X1.25X.375	1-1/4	1-3/4	3/8	.394 ^{+0.015} / _{+0.000}	1.250 ^{+0.005} / _{+0.000}	1.749 ^{+0.000} / _{-0.004}	1.750 ^{+0.006} / _{+0.000}	14.03
PSU-1.75X1.37X.250	1-3/8	1-3/4	1/4	.263 ^{+0.015} / _{+0.000}	1.375 ^{+0.004} / _{+0.000}	1.749 ^{+0.000} / _{-0.004}	1.750 ^{+0.004} / _{+0.000}	10.30
PSU-1.75X1.37X.500	1-3/8	1-3/4	1/2	.526 ^{+0.015} / _{+0.000}	1.375 ^{+0.004} / _{+0.000}	1.749 ^{+0.000} / _{-0.004}	1.750 ^{+0.004} / _{+0.000}	18.19
PSU-2.00X1.50X.375	1-1/2	2	3/8	.394 ^{+0.015} / _{+0.000}	1.500 ^{+0.005} / _{+0.000}	1.999 ^{+0.000} / _{-0.004}	2.000 ^{+0.006} / _{+0.000}	16.47
PSU-2.00X1.62X.312	1-5/8	2	.312	.328 ^{+0.015} / _{+0.000}	1.625 ^{+0.004} / _{+0.000}	1.999 ^{+0.000} / _{-0.004}	2.000 ^{+0.004} / _{+0.000}	13.01
PSU-2.00X1.62X.375	1-5/8	2	3/8	.394 ^{+0.015} / _{+0.000}	1.625 ^{+0.004} / _{+0.000}	1.999 ^{+0.000} / _{-0.004}	2.000 ^{+0.004} / _{+0.000}	14.96
PSU-2.25X1.87X.312	1-7/8	2-1/4	.312	.328 ^{+0.015} / _{+0.000}	1.875 ^{+0.004} / _{+0.000}	2.249 ^{+0.000} / _{-0.004}	2.250 ^{+0.004} / _{+0.000}	16.15
PSU-2.50X2.00X.375	2	2-1/2	3/8	.394 ^{+0.015} / _{+0.000}	2.000 ^{+0.005} / _{+0.000}	2.499 ^{+0.000} / _{-0.004}	2.500 ^{+0.006} / _{+0.000}	16.15
PSU-2.50X2.12X.312	2-1/8	2-1/2	.312	.328 ^{+0.015} / _{+0.000}	2.125 ^{+0.004} / _{+0.000}	2.499 ^{+0.000} / _{-0.004}	2.500 ^{+0.004} / _{+0.000}	14.33

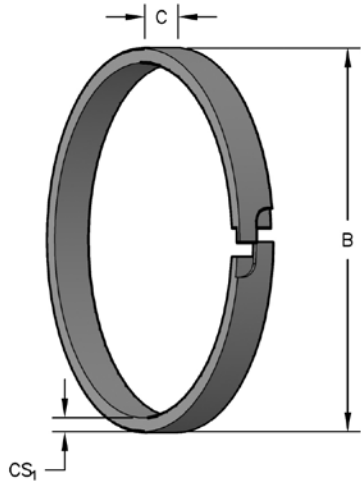
STYLE PSU PISTON SEALS



PISTON SEAL ASSEMBLIES

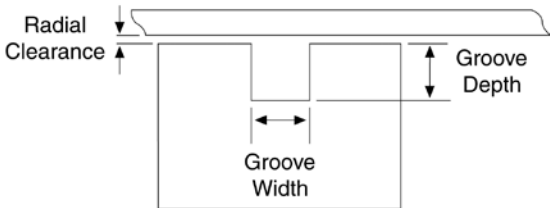
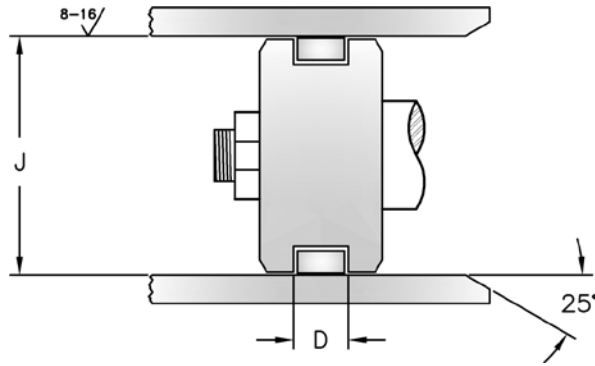
Part Number	A Nom. ID	B Nom. OD	C Nom. Ht	D GROOVE WIDTH	H GROOVE DIAMETER	I PISTON DIAMETER	J BORE DIAMETER	List Price
PSU-2.50X2.12X.375	2-1/8	2-1/2	3/8	.394 ⁺⁰¹⁵ / ₊₀₀₀	2.125 ⁺⁰⁰⁴ / ₊₀₀₀	2.499 ⁺⁰⁰⁰ / ₋₀₀₄	2.500 ⁺⁰⁰⁴ / ₊₀₀₀	16.03
PSU-2.75X2.37X.312	2-3/8	2-3/4	.312	.328 ⁺⁰¹⁵ / ₊₀₀₀	2.375 ⁺⁰⁰⁴ / ₊₀₀₀	2.749 ⁺⁰⁰⁰ / ₋₀₀₄	2.750 ⁺⁰⁰⁴ / ₊₀₀₀	15.73
PSU-3.00X2.50X.375	2-1/2	3	3/8	.394 ⁺⁰¹⁵ / ₊₀₀₀	2.500 ⁺⁰⁰⁵ / ₊₀₀₀	2.999 ⁺⁰⁰⁰ / ₋₀₀₄	3.000 ⁺⁰⁰⁶ / ₊₀₀₀	17.12
PSU-3.00X2.50X.500	2-1/2	3	1/2	.526 ⁺⁰¹⁵ / ₊₀₀₀	2.500 ⁺⁰⁰⁵ / ₊₀₀₀	2.999 ⁺⁰⁰⁰ / ₋₀₀₄	3.000 ⁺⁰⁰⁶ / ₊₀₀₀	34.90
PSU-3.00X2.62X.312	2-5/8	3	.312	.328 ⁺⁰¹⁵ / ₊₀₀₀	2.625 ⁺⁰⁰⁴ / ₊₀₀₀	2.999 ⁺⁰⁰⁰ / ₋₀₀₄	3.000 ⁺⁰⁰⁴ / ₊₀₀₀	17.12
PSU-3.00X2.62X.375	2-5/8	3	3/8	.394 ⁺⁰¹⁵ / ₊₀₀₀	2.625 ⁺⁰⁰⁴ / ₊₀₀₀	2.999 ⁺⁰⁰⁰ / ₋₀₀₄	3.000 ⁺⁰⁰⁴ / ₊₀₀₀	17.12
PSU-3.25X2.75X.550	2-3/4	3-1/4	.55	.577 ⁺⁰¹⁵ / ₊₀₀₀	2.750 ⁺⁰⁰⁵ / ₊₀₀₀	3.249 ⁺⁰⁰⁰ / ₋₀₀₄	3.250 ⁺⁰⁰⁶ / ₊₀₀₀	27.58
PSU-3.25X2.87X.312	2-7/8	3-1/4	.312	.328 ⁺⁰¹⁵ / ₊₀₀₀	2.875 ⁺⁰⁰⁴ / ₊₀₀₀	3.249 ⁺⁰⁰⁰ / ₋₀₀₄	3.250 ⁺⁰⁰⁴ / ₊₀₀₀	17.54
PSU-3.50X3.00X.375	3	3-1/2	3/8	.394 ⁺⁰¹⁵ / ₊₀₀₀	3.000 ⁺⁰⁰⁵ / ₊₀₀₀	3.499 ⁺⁰⁰⁰ / ₋₀₀₄	3.500 ⁺⁰⁰⁶ / ₊₀₀₀	19.24
PSU-3.50X3.12X.312	3-1/8	3-1/2	.312	.328 ⁺⁰¹⁵ / ₊₀₀₀	3.125 ⁺⁰⁰⁴ / ₊₀₀₀	3.499 ⁺⁰⁰⁰ / ₋₀₀₄	3.500 ⁺⁰⁰⁴ / ₊₀₀₀	18.03
PSU-3.50X3.12X.375	3-1/8	3-1/2	3/8	.394 ⁺⁰¹⁵ / ₊₀₀₀	3.125 ⁺⁰⁰⁴ / ₊₀₀₀	3.499 ⁺⁰⁰⁰ / ₋₀₀₄	3.500 ⁺⁰⁰⁴ / ₊₀₀₀	18.31
PSU-3.75X3.37X.312	3-3/8	3-3/4	.312	.328 ⁺⁰¹⁵ / ₊₀₀₀	3.375 ⁺⁰⁰⁴ / ₊₀₀₀	3.749 ⁺⁰⁰⁰ / ₋₀₀₄	3.750 ⁺⁰⁰⁴ / ₊₀₀₀	18.73
PSU-4.00X3.50X.375	3-1/2	4	3/8	.394 ⁺⁰¹⁵ / ₊₀₀₀	3.500 ⁺⁰⁰⁵ / ₊₀₀₀	3.999 ⁺⁰⁰⁰ / ₋₀₀₄	4.000 ⁺⁰⁰⁶ / ₊₀₀₀	28.34
PSU-4.00X3.62X.375	3-5/8	4	3/8	.394 ⁺⁰¹⁵ / ₊₀₀₀	3.625 ⁺⁰⁰⁴ / ₊₀₀₀	3.999 ⁺⁰⁰⁰ / ₋₀₀₄	4.000 ⁺⁰⁰⁴ / ₊₀₀₀	19.51
PSU-4.50X4.00X.375	4	4-1/2	3/8	.394 ⁺⁰¹⁵ / ₊₀₀₀	4.000 ⁺⁰⁰⁵ / ₊₀₀₀	4.499 ⁺⁰⁰⁰ / ₋₀₀₄	4.500 ⁺⁰⁰⁶ / ₊₀₀₀	23.56
PSU-4.50X4.00X.562	4	4-1/2	.562	.591 ⁺⁰¹⁵ / ₊₀₀₀	4.000 ⁺⁰⁰⁵ / ₊₀₀₀	4.499 ⁺⁰⁰⁰ / ₋₀₀₄	4.500 ⁺⁰⁰⁶ / ₊₀₀₀	33.55
PSU-5.00X4.37X.500	4-3/8	5	1/2	.526 ⁺⁰¹⁵ / ₊₀₀₀	4.375 ⁺⁰⁰⁶ / ₊₀₀₀	4.999 ⁺⁰⁰⁰ / ₋₀₀₄	5.000 ⁺⁰⁰⁶ / ₊₀₀₀	62.66
PSU-5.00X4.50X.375	4-1/2	5	3/8	.394 ⁺⁰¹⁵ / ₊₀₀₀	4.500 ⁺⁰⁰⁵ / ₊₀₀₀	4.999 ⁺⁰⁰⁰ / ₋₀₀₄	5.000 ⁺⁰⁰⁶ / ₊₀₀₀	25.70
PSU-5.00X4.50X.500	4-1/2	5	1/2	.526 ⁺⁰¹⁵ / ₊₀₀₀	4.500 ⁺⁰⁰⁵ / ₊₀₀₀	4.999 ⁺⁰⁰⁰ / ₋₀₀₄	5.000 ⁺⁰⁰⁶ / ₊₀₀₀	42.35
PSU-5.00X4.50X.562	4-1/2	5	.562	.591 ⁺⁰¹⁵ / ₊₀₀₀	4.500 ⁺⁰⁰⁵ / ₊₀₀₀	4.999 ⁺⁰⁰⁰ / ₋₀₀₄	5.000 ⁺⁰⁰⁶ / ₊₀₀₀	42.35
PSU-5.25X4.75X.562	4-3/4	5-1/4	.562	.591 ⁺⁰¹⁵ / ₊₀₀₀	4.750 ⁺⁰⁰⁵ / ₊₀₀₀	5.249 ⁺⁰⁰⁰ / ₋₀₀₄	5.250 ⁺⁰⁰⁶ / ₊₀₀₀	42.73
PSU-5.50X5.00X.375	5	5-1/2	3/8	.394 ⁺⁰¹⁵ / ₊₀₀₀	5.000 ⁺⁰⁰⁵ / ₊₀₀₀	5.499 ⁺⁰⁰⁰ / ₋₀₀₄	5.500 ⁺⁰⁰⁶ / ₊₀₀₀	53.84
PSU-6.00X5.50X.375	5-1/2	6	3/8	.394 ⁺⁰¹⁵ / ₊₀₀₀	5.500 ⁺⁰⁰⁵ / ₊₀₀₀	5.999 ⁺⁰⁰⁰ / ₋₀₀₄	6.000 ⁺⁰⁰⁶ / ₊₀₀₀	58.48
PSU-6.00X5.50X.562	5-1/2	6	.562	.591 ⁺⁰¹⁵ / ₊₀₀₀	5.500 ⁺⁰⁰⁵ / ₊₀₀₀	5.999 ⁺⁰⁰⁰ / ₋₀₀₄	6.000 ⁺⁰⁰⁶ / ₊₀₀₀	58.48
PSU-6.50X6.00X.562	6	6-1/2	.562	.591 ⁺⁰¹⁵ / ₊₀₀₀	6.000 ⁺⁰⁰⁵ / ₊₀₀₀	6.499 ⁺⁰⁰⁰ / ₋₀₀₄	6.500 ⁺⁰⁰⁶ / ₊₀₀₀	59.13

STYLE SPR IRON PISTON RINGS



BC = Butt Cut
H = Hook Joint

HERCULES PART NUMBERS



SEAL INFORMATION

MATERIAL	IRON
----------	------

END CLEARANCE
End clearance on piston rings depends on ring design, material and application. The following end clearances are provided as a standard for hydraulic cylinder applications.

DIAMETER	BUTT & ANGLE CUT END CLEARANCE	OVERLAPPING JOINT & STEP CUT END CLEARANCE
.500-4.561	.003/.010	.005/.015
4.562-19.970	.005/.015	.010/.020
19.971-30.500	.010/.025	.015/.030

When using iron piston rings, it is crucial to use the correct groove design for proper performance of the cylinder. Please use the following guidelines when cutting an iron piston ring groove.

GROOVE WIDTH: To permit the ring to slide freely into the groove, the groove must be at least 0.001" wider than the maximum piston ring width with a tolerance of +0.003"/-0.000".

GROOVE DEPTH: Grooves must be at least 0.015" deeper than the maximum radial wall thickness of the piston ring with a tolerance of +0.003"/-0.000". This is to avoid any possibility of the ring bottoming in the groove when the ring is compressed to its working diameter.

RADIAL CLEARANCE: The radial clearance between the cylinder bore and piston should be less than 1/3 of the radial wall thickness of the piston ring to ensure sealing effectiveness.

Part Number	B Nom. OD	C Nom. Ht	D GROOVE WIDTH	J BORE DIAMETER	C HEIGHT	CS ₁ RING CROSS SECTION	List Price
SPR-1001	1	3/32	.095 ^{+0.003} / _{+0.000}	1.000	.0935 ^{+0.000} / _{-.001}	.055 ^{+0.000} / _{-.010}	\$28.63
SPR-1000	1	1/8	.1255 ^{+0.003} / _{+0.000}	1.000	.124 ^{+0.000} / _{-.001}	.055 ^{+0.000} / _{-.010}	19.03
SPR-1375-H	1-3/8	.0975	.0985 ^{+0.003} / _{+0.000}	1.375	.0975 ^{+0.000} / _{-.001}	.060 ^{+0.000} / _{-.010}	50.22
SPR-1501	1-1/2	3/32	.095 ^{+0.003} / _{+0.000}	1.500	.0935 ^{+0.000} / _{-.001}	.067 ^{+0.000} / _{-.015}	37.14
SPR-1500	1-1/2	1/8	.1255 ^{+0.003} / _{+0.000}	1.500	.124 ^{+0.000} / _{-.001}	.067 ^{+0.000} / _{-.015}	11.47
SPR-1530	1.53	1/8	.1255 ^{+0.003} / _{+0.000}	1.530	.124 ^{+0.000} / _{-.001}	.060 ^{+0.000} / _{-.010}	14.69
SPR-1751	1-3/4	3/32	.095 ^{+0.003} / _{+0.000}	1.750	.0935 ^{+0.000} / _{-.001}	.075 ^{+0.000} / _{-.015}	16.20

STYLE SPR IRON PISTON RINGS

IRON PISTON RINGS

Part Number	B Nom. OD	C Nom. Ht	D GROOVE WIDTH	J BORE DIAMETER	C HEIGHT	CS ₁ RING CROSS SECTION	List Price
SPR-1750	1-3/4	1/8	.1255 ^{+0.003} / _{+0.000}	1.750	.124 ^{+0.000} / _{-.001}	.075 ^{+0.000} / _{-.015}	16.20
SPR-1875	1-7/8	1/8	.1255 ^{+0.003} / _{+0.000}	1.875	.124 ^{+0.000} / _{-.001}	.075 ^{+0.000} / _{-.015}	25.16
SPR-2003	2	3/32	.095 ^{+0.003} / _{+0.000}	2.000	.0935 ^{+0.000} / _{-.001}	.097 ^{+0.000} / _{-.015}	20.18
SPR-2000	2	1/8	.1255 ^{+0.003} / _{+0.000}	2.000	.124 ^{+0.000} / _{-.001}	.075 ^{+0.000} / _{-.015}	17.36
SPR-2006	2	1/8	.1255 ^{+0.003} / _{+0.000}	2.000	.124 ^{+0.000} / _{-.001}	.087 ^{+0.000} / _{-.010}	20.18
SPR-2001	2	3/16	.188 ^{+0.003} / _{+0.000}	2.000	.1865 ^{+0.000} / _{-.001}	.075 ^{+0.000} / _{-.015}	16.79
SPR-2002	2	1/4	.2505 ^{+0.003} / _{+0.000}	2.000	.249 ^{+0.000} / _{-.001}	.075 ^{+0.000} / _{-.015}	20.95
SPR-2030	2.03	1/8	.1255 ^{+0.003} / _{+0.000}	2.030	.124 ^{+0.000} / _{-.001}	.095 ^{+0.000} / _{-.030}	20.18
SPR-2126	2-1/8	1/8	.1255 ^{+0.003} / _{+0.000}	2.125	.124 ^{+0.000} / _{-.001}	.080 ^{+0.000} / _{-.015}	20.38
SPR-2125	2-1/8	3/16	.188 ^{+0.003} / _{+0.000}	2.125	.1865 ^{+0.000} / _{-.001}	.080 ^{+0.000} / _{-.015}	19.80
SPR-2251	2-1/4	1/8	.1255 ^{+0.003} / _{+0.000}	2.250	.124 ^{+0.000} / _{-.001}	.085 ^{+0.000} / _{-.008}	19.77
SPR-2250	2-1/4	3/16	.188 ^{+0.003} / _{+0.000}	2.250	.1865 ^{+0.000} / _{-.001}	.085 ^{+0.000} / _{-.015}	20.38
SPR-2255	2-1/4	3/16	.1875 ^{+0.003} / _{+0.000}	2.250	.186 ±0.0005	.112 ^{+0.009} / _{-.006}	19.53
SPR-2254	2-1/4	1/4	.2505 ^{+0.003} / _{+0.000}	2.250	.249 ^{+0.000} / _{-.001}	.085 ^{+0.000} / _{-.015}	21.94
SPR-2376	2-3/8	3/16	.188 ^{+0.003} / _{+0.000}	2.375	.1865 ^{+0.000} / _{-.001}	.091 ^{+0.000} / _{-.015}	21.94
SPR-2500	2-1/2	1/8	.1255 ^{+0.003} / _{+0.000}	2.500	.124 ^{+0.000} / _{-.001}	.097 ^{+0.000} / _{-.015}	16.29
SPR-2503	2-1/2	1/8	.1255 ^{+0.003} / _{+0.000}	2.500	.124 ^{+0.000} / _{-.001}	.118 ^{+0.000} / _{-.015}	22.81
SPR-2501	2-1/2	3/16	.188 ^{+0.003} / _{+0.000}	2.500	.1865 ^{+0.000} / _{-.001}	.097 ^{+0.000} / _{-.015}	16.29
SPR-2504	2-1/2	3/16	.188 ^{+0.003} / _{+0.000}	2.500	.1865 ^{+0.000} / _{-.001}	.118 ^{+0.000} / _{-.015}	17.97
SPR-2502	2-1/2	1/4	.2505 ^{+0.003} / _{+0.000}	2.500	.249 ^{+0.000} / _{-.001}	.097 ^{+0.000} / _{-.015}	16.90
SPR-2530	2.53	1/8	.1255 ^{+0.003} / _{+0.000}	2.530	.124 ^{+0.000} / _{-.001}	.095 ^{+0.000} / _{-.030}	16.90
SPR-2625	2-5/8	3/16	.188 ^{+0.003} / _{+0.000}	2.625	.1865 ^{+0.000} / _{-.001}	.102 ^{+0.000} / _{-.015}	21.75
SPR-2752	2-3/4	5/32	.1565 ^{+0.003} / _{+0.000}	2.750	.156 ^{+0.000} / _{-.001}	.125 ^{+0.000} / _{-.025}	17.14
SPR-2750	2-3/4	3/16	.188 ^{+0.003} / _{+0.000}	2.750	.1865 ^{+0.000} / _{-.001}	.106 ^{+0.000} / _{-.015}	20.18
SPR-2754	2-3/4	3/16	.188 ^{+0.003} / _{+0.000}	2.750	.187 ^{+0.000} / _{-.001}	.118 ^{+0.000} / _{-.015}	28.63
SPR-2756	2-3/4	3/16	.188 ^{+0.003} / _{+0.000}	2.750	.186 ±0.0005	.124	16.96
SPR-2755	2.755	.119	.120 ^{+0.003} / _{+0.000}	2.755	.119 ^{+0.000} / _{-.001}	.124 ^{+0.000} / _{-.015}	23.03
SPR-2875	2-7/8	3/16	.188 ^{+0.003} / _{+0.000}	2.875	.1865 ^{+0.000} / _{-.001}	.108 ^{+0.000} / _{-.015}	17.14
SPR-3000	3	3/16	.188 ^{+0.003} / _{+0.000}	3.000	.1865 ^{+0.000} / _{-.001}	.110 ^{+0.000} / _{-.015}	16.94
SPR-3002	3	3/16	.191 ^{+0.000} / _{-.003}	3.000	.187 ^{+0.000} / _{-.001}	.138 ^{+0.000} / _{-.015}	18.44
SPR-3001	3	1/4	.2505 ^{+0.003} / _{+0.000}	3.000	.249 ^{+0.000} / _{-.001}	.110 ^{+0.000} / _{-.015}	17.57
SPR-3003	3	5/16	.313 ^{+0.003} / _{+0.000}	3.000	.311 ^{+0.000} / _{-.001}	.110 ^{+0.000} / _{-.015}	17.69
SPR-3120	3-1/8	3/16	.188 ^{+0.003} / _{+0.000}	3.125	.1865 ^{+0.000} / _{-.001}	.115 ^{+0.000} / _{-.015}	20.85

STYLE SPR IRON PISTON RINGS

IRON PISTON RINGS

Part Number	B Nom. OD	C Nom. Ht	D GROOVE WIDTH	J BORE DIAMETER	C HEIGHT	CS ₁ RING CROSS SECTION	List Price
SPR-3251	3-1/4	1/8	.1255 ^{+0.03} / _{+0.00}	3.250	.124 ^{+0.00} / _{-.001}	.118 ^{+0.00} / _{-.015}	16.94
SPR-3256	3-1/4	1/8	.1255 ^{+0.03} / _{+0.00}	3.250	.124 ^{+0.00} / _{-.001}	.118 ^{+0.00} / _{-.015}	16.22
SPR-3253	3-1/4	5/32	.1565 ^{+0.03} / _{+0.00}	3.250	.1555 ^{+0.00} / _{-.001}	.134 ^{+0.00} / _{-.013}	17.79
SPR-3250	3-1/4	3/16	.188 ^{+0.03} / _{+0.00}	3.250	.1865 ^{+0.00} / _{-.001}	.118 ^{+0.00} / _{-.015}	16.94
SPR-3255	3-1/4	3/16	.188 ^{+0.03} / _{+0.00}	3.250	.1865 ^{+0.00} / _{-.001}	.138 ^{+0.00} / _{-.015}	111.41
SPR-3252	3-1/4	1/4	.2505 ^{+0.03} / _{+0.00}	3.250	.249 ^{+0.00} / _{-.001}	.118 ^{+0.00} / _{-.015}	17.14
SPR-3260	3.26	1/4	.2505 ^{+0.03} / _{+0.00}	3.260	.249 ^{+0.00} / _{-.001}	.130 ^{+0.00} / _{-.015}	20.98
SPR-3280	3.28	3/16	.188 ^{+0.03} / _{+0.00}	3.280	.1865 ^{+0.00} / _{-.001}	.118 ^{+0.00} / _{-.015}	17.79
SPR-3375	3-3/8	3/16	.188 ^{+0.03} / _{+0.00}	3.375	.1865 ^{+0.00} / _{-.001}	.121 ^{+0.00} / _{-.015}	27.90
SPR-3497	3.497	3/16	.188 ^{+0.03} / _{+0.00}	3.497	.1865 ^{+0.00} / _{-.001}	.124 ^{+0.00} / _{-.015}	17.79
SPR-3500	3-1/2	1/8	.1255 ^{+0.03} / _{+0.00}	3.500	.124 ^{+0.00} / _{-.001}	.124 ^{+0.00} / _{-.015}	17.79
SPR-3505	3-1/2	3/16	.188 ^{+0.03} / _{+0.00}	3.500	.1865 ^{+0.00} / _{-.001}	.124 ^{+0.00} / _{-.015}	17.79
SPR-3506	3-1/2	3/16	.191 ^{+0.00} / _{-.003}	3.500	.187 ^{+0.00} / _{-.001}	.160 ^{+0.00} / _{-.015}	36.71
SPR-3502	3-1/2	1/4	.2505 ^{+0.03} / _{+0.00}	3.500	.249 ^{+0.00} / _{-.001}	.124 ^{+0.00} / _{-.015}	17.79
SPR-3503	3-1/2	3/8	.3755 ^{+0.03} / _{+0.00}	3.500	.373 ^{+0.00} / _{-.001}	.124 ^{+0.00} / _{-.015}	28.21
SPR-3520-BC	3.52	3/16	.188 ^{+0.03} / _{+0.00}	3.520	.186 ^{+0.00} / _{-.002}	.145 ^{+0.00} / _{-.015}	19.02
SPR-3625	3-5/8	1/4	.2505 ^{+0.03} / _{+0.00}	3.625	.249 ^{+0.00} / _{-.001}	.160 ^{+0.00} / _{-.015}	23.90
SPR-3626	3-5/8	1/4	.2505 ^{+0.03} / _{+0.00}	3.625	.249 ^{+0.00} / _{-.001}	.185 ^{+0.00} / _{-.015}	35.43
SPR-3750	3-3/4	3/16	.188 ^{+0.03} / _{+0.00}	3.750	.1865 ^{+0.00} / _{-.001}	.130 ^{+0.00} / _{-.015}	18.33
SPR-3752	3-3/4	3/16	.188 ^{+0.03} / _{+0.00}	3.750	.1865 ^{+0.00} / _{-.002}	.190 ^{+0.00} / _{-.015}	118.14
SPR-3751	3-3/4	1/4	.2505 ^{+0.03} / _{+0.00}	3.750	.249 ^{+0.00} / _{-.001}	.130 ^{+0.00} / _{-.015}	18.33
SPR-3875	3-7/8	1/4	.2505 ^{+0.03} / _{+0.00}	3.875	.249 ^{+0.00} / _{-.001}	.138 ^{+0.00} / _{-.015}	18.50
SPR-3990	3.99	1/4	.2505 ^{+0.03} / _{+0.00}	3.990	.249 ^{+0.00} / _{-.001}	.142 ^{+0.00} / _{-.015}	31.02
SPR-4002	4	3/16	.188 ^{+0.03} / _{+0.00}	4.000	.1865 ^{+0.00} / _{-.001}	.142 ^{+0.00} / _{-.015}	17.80
SPR-4007	4	3/16	.188 ^{+0.03} / _{+0.00}	4.000	.1865 ^{+0.00} / _{-.001}	.199 ^{+0.00} / _{-.015}	118.14
SPR-4000	4	1/4	.2505 ^{+0.03} / _{+0.00}	4.000	.249 ^{+0.00} / _{-.001}	.142 ^{+0.00} / _{-.015}	18.50
SPR-4003	4	5/16	.313 ^{+0.03} / _{+0.00}	4.000	.311 ^{+0.00} / _{-.001}	.142 ^{+0.00} / _{-.015}	18.50
SPR-4020	4.02	5/16	.313 ^{+0.03} / _{+0.00}	4.020	.311 ^{+0.00} / _{-.001}	.142 ^{+0.00} / _{-.015}	23.33
SPR-4030	4.03	1/4	.2505 ^{+0.03} / _{+0.00}	4.030	.249 ^{+0.00} / _{-.001}	.142 ^{+0.00} / _{-.015}	18.50
SPR-4250	4-1/4	1/4	.2505 ^{+0.03} / _{+0.00}	4.250	.249 ^{+0.00} / _{-.001}	.150 ^{+0.00} / _{-.015}	19.55
SPR-4251	4-1/4	1/4	.2505 ^{+0.03} / _{+0.00}	4.250	.249 ^{+0.00} / _{-.001}	.181 ^{+0.00} / _{-.015}	121.91
SPR-4252-BC	4-1/4	1/4	.2505 ^{+0.03} / _{+0.00}	4.250	.249 ^{+0.00} / _{-.001}	.177 ^{+0.00} / _{-.010}	30.72
SPR-4260	4.26	1/4	.2505 ^{+0.03} / _{+0.00}	4.260	.249 ^{+0.00} / _{-.001}	.167 ^{+0.00} / _{-.015}	19.55

STYLE SPR IRON PISTON RINGS

IRON PISTON RINGS

Part Number	B Nom. OD	C Nom. Ht	D GROOVE WIDTH	J BORE DIAMETER	C HEIGHT	CS ₁ RING CROSS SECTION	List Price
SPR-4496	4.496	1/4	.2505 ^{+0.003} / _{+0.000}	4.496	.249 ^{+0.000} / _{-.001}	.150 ^{+0.000} / _{-.015}	20.03
SPR-4501	4-1/2	3/16	.188 ^{+0.003} / _{+0.000}	4.500	.1865 ^{+0.000} / _{-.001}	.160 ^{+0.000} / _{-.015}	19.55
SPR-4502	4-1/2	1/4	.2505 ^{+0.003} / _{+0.000}	4.500	.249 ^{+0.000} / _{-.001}	.160 ^{+0.000} / _{-.015}	20.18
SPR-4504	4-1/2	1/4	.2505 ^{+0.003} / _{+0.000}	4.500	.249 ^{+0.000} / _{-.001}	.199 ^{+0.000} / _{-.015}	121.91
SPR-4506-BC	4-1/2	1/4	.2505 ^{+0.003} / _{+0.000}	4.500	.249 ^{+0.000} / _{-.001}	.130 ^{+0.000} / _{-.015}	60.52
SPR-4500	4-1/2	5/16	.313 ^{+0.003} / _{+0.000}	4.500	.311 ^{+0.000} / _{-.001}	.160 ^{+0.000} / _{-.015}	19.97
SPR-4503	4-1/2	3/8	.3755 ^{+0.003} / _{+0.000}	4.500	.373 ^{+0.000} / _{-.001}	.160 ^{+0.000} / _{-.015}	33.35
SPR-4520-BC	4.52	3/16	.188 ^{+0.003} / _{+0.000}	4.520	.186 ^{+0.000} / _{-.002}	.160 ^{+0.000} / _{-.015}	34.01
SPR-4540	4.54	3/16	.188 ^{+0.003} / _{+0.000}	4.540	.1865 ^{+0.000} / _{-.001}	.167 ^{+0.000} / _{-.015}	19.97
SPR-4751	4-3/4	1/4	.2505 ^{+0.003} / _{+0.000}	4.750	.249 ^{+0.000} / _{-.001}	.167 ^{+0.000} / _{-.015}	20.03
SPR-4752	4-3/4	1/4	.2505 ^{+0.003} / _{+0.000}	4.750	.249 ^{+0.000} / _{-.001}	.190 ^{+0.000} / _{-.015}	40.78
SPR-4876-BC	4-7/8	3/8	.3755 ^{+0.003} / _{+0.000}	4.875	.373 ^{+0.000} / _{-.001}	.124 ^{+0.000} / _{-.015}	58.65
SPR-5005	5	1/8	.1255 ^{+0.003} / _{+0.000}	5.000	.124 ^{+0.000} / _{-.001}	.175 ^{+0.000} / _{-.015}	26.89
SPR-5001	5	3/16	.188 ^{+0.003} / _{+0.000}	5.000	.1865 ^{+0.000} / _{-.001}	.175 ^{+0.000} / _{-.015}	20.61
SPR-5000	5	1/4	.2505 ^{+0.003} / _{+0.000}	5.000	.249 ^{+0.000} / _{-.001}	.150 ^{+0.000} / _{-.010}	20.61
SPR-5002	5	1/4	.2505 ^{+0.003} / _{+0.000}	5.000	.249 ^{+0.000} / _{-.001}	.175 ^{+0.000} / _{-.015}	20.61
SPR-5008	5	1/4	.2505 ^{+0.003} / _{+0.000}	5.000	.248 ^{+0.001} / _{+0.000}	.198 ^{+0.008} / _{-.007}	21.35
SPR-5004	5	5/16	.313 ^{+0.003} / _{+0.000}	5.000	.311 ^{+0.000} / _{-.001}	.175 ^{+0.000} / _{-.015}	31.76
SPR-5003	5	3/8	.3755 ^{+0.003} / _{+0.000}	5.000	.373 ^{+0.000} / _{-.001}	.175 ^{+0.000} / _{-.015}	27.30
SPR-5030	5.03	1/4	.2505 ^{+0.003} / _{+0.000}	5.030	.249 ^{+0.000} / _{-.001}	.185 ^{+0.000} / _{-.020}	23.72
SPR-5120	5-1/8	1/4	.2505 ^{+0.003} / _{+0.000}	5.125	.249 ^{+0.000} / _{-.001}	.172 ^{+0.000} / _{-.006}	29.78
SPR-5121	5-1/8	1/4	.2505 ^{+0.003} / _{+0.000}	5.125	.249 ^{+0.000} / _{-.001}	.160 ^{+0.000} / _{-.015}	42.66
SPR-5251	5-1/4	1/4	.2505 ^{+0.003} / _{+0.000}	5.250	.249 ^{+0.000} / _{-.001}	.181 ^{+0.000} / _{-.015}	32.03
SPR-5252	5-1/4	9/32	.280 ^{+0.003} / _{+0.000}	5.250	.279 ^{+0.000} / _{-.001}	.170 ^{+0.000} / _{-.010}	47.57
SPR-5260	5.26	1/4	.2505 ^{+0.003} / _{+0.000}	5.260	.249 ^{+0.000} / _{-.001}	.195 ^{+0.000} / _{-.015}	25.74
SPR-5496	5.496	1/4	.2505 ^{+0.003} / _{+0.000}	5.496	.249 ^{+0.000} / _{-.001}	.160 ^{+0.000} / _{-.020}	27.47
SPR-5501	5-1/2	3/16	.188 ^{+0.003} / _{+0.000}	5.500	.1865 ^{+0.000} / _{-.001}	.190 ^{+0.000} / _{-.015}	27.83
SPR-5502	5-1/2	1/4	.2505 ^{+0.003} / _{+0.000}	5.500	.249 ^{+0.000} / _{-.001}	.190 ^{+0.000} / _{-.015}	27.83
SPR-5506	5-1/2	1/4	.2505 ^{+0.003} / _{+0.000}	5.500	.249 ^{+0.000} / _{-.001}	.150 ^{+0.000} / _{-.015}	66.58
SPR-5500	5-1/2	5/16	.313 ^{+0.003} / _{+0.000}	5.500	.311 ^{+0.000} / _{-.001}	.190 ^{+0.000} / _{-.015}	27.83
SPR-5503	5-1/2	3/8	.3755 ^{+0.003} / _{+0.000}	5.500	.373 ^{+0.000} / _{-.001}	.190 ^{+0.000} / _{-.015}	36.88
SPR-5520-BC	5.52	3/16	.188 ^{+0.003} / _{+0.000}	5.520	.186 ^{+0.000} / _{-.002}	.200 ^{+0.000} / _{-.015}	27.32
SPR-5540	5.54	3/16	.188 ^{+0.003} / _{+0.000}	5.540	.1865 ^{+0.000} / _{-.001}	.210 ^{+0.000} / _{-.030}	33.25

STYLE SPR IRON PISTON RINGS

IRON PISTON RINGS

Part Number	B Nom. OD	C Nom. Ht	D GROOVE WIDTH	J BORE DIAMETER	C HEIGHT	CS ₁ RING CROSS SECTION	List Price
SPR-5750	5-3/4	3/16	.188 ^{+0.003} / _{+0.000}	5.750	.1865 ^{+0.000} / _{-.001}	.199 ^{+0.000} / _{-.015}	35.34
SPR-5751	5-3/4	1/4	.2505 ^{+0.003} / _{+0.000}	5.750	.249 ^{+0.000} / _{-.001}	.199 ^{+0.000} / _{-.015}	37.47
SPR-5752	5-3/4	5/16	.313 ^{+0.003} / _{+0.000}	5.750	.311 ^{+0.000} / _{-.001}	.199 ^{+0.000} / _{-.015}	40.44
SPR-6001	6	1/8	.1255 ^{+0.003} / _{+0.000}	6.000	.124 ^{+0.000} / _{-.002}	.206 ^{+0.000} / _{-.015}	37.81
SPR-6006	6	3/16	.188 ^{+0.003} / _{+0.000}	6.000	.1865 ^{+0.000} / _{-.002}	.206 ^{+0.000} / _{-.015}	35.30
SPR-6000	6	1/4	.2505 ^{+0.003} / _{+0.000}	6.000	.249 ^{+0.000} / _{-.002}	.160 ^{+0.000} / _{-.020}	28.13
SPR-6002	6	1/4	.2505 ^{+0.003} / _{+0.000}	6.000	.249 ^{+0.000} / _{-.002}	.206 ^{+0.000} / _{-.015}	28.11
SPR-6004	6	5/16	.313 ^{+0.003} / _{+0.000}	6.000	.311 ^{+0.000} / _{-.002}	.206 ^{+0.000} / _{-.015}	28.11
SPR-6005	6	3/8	.3755 ^{+0.003} / _{+0.000}	6.000	.373 ^{+0.000} / _{-.002}	.206 ^{+0.000} / _{-.015}	33.08
SPR-6030	6.03	1/4	.2505 ^{+0.003} / _{+0.000}	6.030	.249 ^{+0.000} / _{-.002}	.206 ^{+0.000} / _{-.015}	35.30
SPR-6040	6.04	3/16	.188 ^{+0.003} / _{+0.000}	6.040	.1865 ^{+0.000} / _{-.002}	.205 ^{+0.000} / _{-.015}	40.61
SPR-6120	6-1/8	1/4	.2505 ^{+0.003} / _{+0.000}	6.125	.249 ^{+0.000} / _{-.002}	.206 ^{+0.000} / _{-.015}	43.37
SPR-6250	6-1/4	3/16	.188 ^{+0.003} / _{+0.000}	6.250	.1865 ^{+0.000} / _{-.002}	.217 ^{+0.000} / _{-.015}	44.09
SPR-6252	6-1/4	1/4	.2505 ^{+0.003} / _{+0.000}	6.250	.249 ^{+0.000} / _{-.002}	.217 ^{+0.000} / _{-.015}	49.62
SPR-6251	6-1/4	5/16	.313 ^{+0.003} / _{+0.000}	6.250	.311 ^{+0.000} / _{-.002}	.217 ^{+0.000} / _{-.015}	44.09
SPR-6260	6.26	1/4	.2505 ^{+0.003} / _{+0.000}	6.260	.249 ^{+0.000} / _{-.001}	.206 ^{+0.000} / _{-.015}	30.38
SPR-6496	6.496	1/4	.2505 ^{+0.003} / _{+0.000}	6.496	.249 ^{+0.000} / _{-.002}	.160 ^{+0.000} / _{-.020}	32.98
SPR-6501	6-1/2	3/16	.188 ^{+0.003} / _{+0.000}	6.500	.1865 ^{+0.000} / _{-.002}	.226 ^{+0.000} / _{-.015}	51.62
SPR-6503	6-1/2	3/16	.188 ^{+0.003} / _{+0.000}	6.500	.187 ^{+0.000} / _{-.001}	.226 ^{+0.000} / _{-.015}	64.98
SPR-6502	6-1/2	1/4	.2505 ^{+0.003} / _{+0.000}	6.500	.249 ^{+0.000} / _{-.002}	.226 ^{+0.000} / _{-.015}	32.18
SPR-6500	6-1/2	5/16	.313 ^{+0.003} / _{+0.000}	6.500	.311 ^{+0.000} / _{-.002}	.226 ^{+0.000} / _{-.015}	32.18
SPR-6505	6-1/2	1/2	.5005 ^{+0.003} / _{+0.000}	6.500	.498 ^{+0.000} / _{-.002}	.225 ^{+0.000} / _{-.015}	101.07
SPR-6520-BC	6.52	3/16	.188 ^{+0.003} / _{+0.000}	6.520	.186 ^{+0.000} / _{-.002}	.235 ^{+0.000} / _{-.015}	63.27
SPR-6750	6-3/4	1/4	.2505 ^{+0.003} / _{+0.000}	6.750	.249 ^{+0.000} / _{-.002}	.190 ^{+0.000} / _{-.015}	41.25
SPR-6752	6-3/4	1/4	.2505 ^{+0.003} / _{+0.000}	6.750	.249 ^{+0.000} / _{-.002}	.234 ^{+0.000} / _{-.015}	50.38
SPR-6751	6-3/4	5/16	.313 ^{+0.003} / _{+0.000}	6.750	.311 ^{+0.000} / _{-.002}	.234 ^{+0.000} / _{-.015}	48.25
SPR-7004	7	.24	.241 ^{+0.003} / _{+0.000}	7.000	.240 ^{+0.000} / _{-.001}	.252 ^{+0.000} / _{-.015}	43.03
SPR-7000	7	1/4	.2505 ^{+0.003} / _{+0.000}	7.000	.249 ^{+0.000} / _{-.002}	.160 ^{+0.000} / _{-.020}	37.07
SPR-7002	7	1/4	.2505 ^{+0.003} / _{+0.000}	7.000	.249 ^{+0.000} / _{-.002}	.243 ^{+0.000} / _{-.015}	37.07
SPR-7005	7	5/16	.313 ^{+0.003} / _{+0.000}	7.000	.311 ^{+0.000} / _{-.002}	.243 ^{+0.000} / _{-.015}	50.70
SPR-7003	7	3/8	.3755 ^{+0.003} / _{+0.000}	7.000	.373 ^{+0.000} / _{-.002}	.243 ^{+0.000} / _{-.015}	50.70
SPR-7006	7	1/2	.5005 ^{+0.003} / _{+0.000}	7.000	.498 ^{+0.000} / _{-.002}	.243 ^{+0.000} / _{-.015}	79.99
SPR-7030	7.03	5/16	.313 ^{+0.003} / _{+0.000}	7.030	.311 ^{+0.000} / _{-.002}	.263 ^{+0.000} / _{-.030}	50.70

STYLE SPR IRON PISTON RINGS

IRON PISTON RINGS

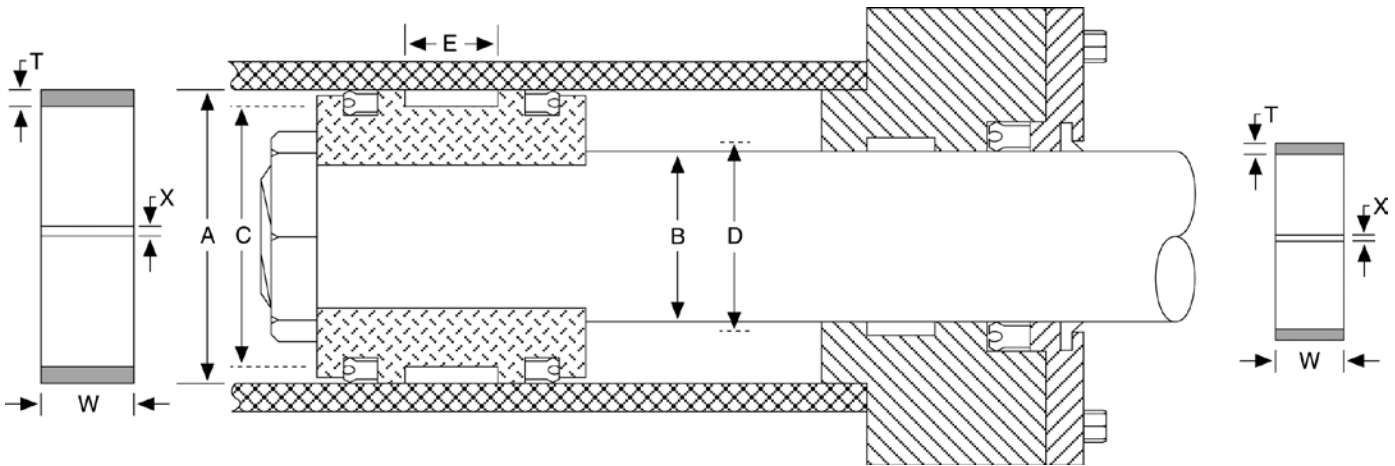
Part Number	B Nom. OD	C Nom. Ht	D GROOVE WIDTH	J BORE DIAMETER	C HEIGHT	CS ₁ RING CROSS SECTION	List Price
SPR-7125	7-1/8	1/4	.2505 ^{+0.003} / _{+0.000}	7.125	.249 ^{+0.000} / _{-.002}	.252 ^{+0.000} / _{-.015}	62.91
SPR-7250	7-1/4	1/4	.2505 ^{+0.003} / _{+0.000}	7.250	.249 ^{+0.000} / _{-.002}	.175 ^{+0.000} / _{-.015}	56.38
SPR-7255	7-1/4	5/16	.313 ^{+0.003} / _{+0.000}	7.250	.311 ^{+0.000} / _{-.002}	.252 ^{+0.000} / _{-.015}	56.38
SPR-7260	7.26	1/4	.2505 ^{+0.003} / _{+0.000}	7.260	.249 ^{+0.000} / _{-.002}	.268 ^{+0.000} / _{-.015}	45.00
SPR-7375	7-3/8	3/8	.3755 ^{+0.003} / _{+0.000}	7.375	.373 ^{+0.000} / _{-.002}	.206 ^{+0.000} / _{-.015}	73.90
SPR-7496	7.496	1/4	.2505 ^{+0.003} / _{+0.000}	7.496	.249 ^{+0.000} / _{-.002}	.160 ^{+0.000} / _{-.015}	49.98
SPR-7501	7-1/2	1/4	.2505 ^{+0.003} / _{+0.000}	7.500	.249 ^{+0.000} / _{-.002}	.260 ^{+0.000} / _{-.015}	47.62
SPR-7500	7-1/2	5/16	.313 ^{+0.003} / _{+0.000}	7.500	.311 ^{+0.000} / _{-.002}	.226 ^{+0.000} / _{-.015}	68.75
SPR-7505	7-1/2	5/16	.313 ^{+0.003} / _{+0.000}	7.500	.311 ^{+0.000} / _{-.002}	.259 ^{+0.000} / _{-.015}	55.73
SPR-7520-BC	7.52	3/16	.188 ^{+0.003} / _{+0.000}	7.520	.186 ^{+0.000} / _{-.002}	.275 ^{+0.000} / _{-.015}	80.58
SPR-7750	7-3/4	5/16	.313 ^{+0.003} / _{+0.000}	7.750	.311 ^{+0.000} / _{-.002}	.267 ^{+0.000} / _{-.015}	68.75
SPR-8000	8	5/16	.313 ^{+0.003} / _{+0.000}	8.000	.311 ^{+0.000} / _{-.002}	.226 ^{+0.000} / _{-.015}	53.00
SPR-8005	8	5/16	.313 ^{+0.003} / _{+0.000}	8.000	.311 ^{+0.000} / _{-.002}	.275 ^{+0.000} / _{-.015}	56.38
SPR-8006	8	3/8	.3755 ^{+0.003} / _{+0.000}	8.000	.373 ^{+0.000} / _{-.002}	.275 ^{+0.000} / _{-.015}	56.38
SPR-8001	8	.435	.4375 ^{+0.003} / _{+0.000}	8.000	.435 ^{+0.000} / _{-.001}	.270 ^{+0.000} / _{-.015}	93.69
SPR-8030	8.03	5/16	.313 ^{+0.003} / _{+0.000}	8.030	.311 ^{+0.000} / _{-.002}	.295 ^{+0.000} / _{-.030}	59.68
SPR-8125	8-1/8	.435	.4375 ^{+0.003} / _{+0.000}	8.125	.435 ^{+0.000} / _{-.001}	.270 ^{+0.000} / _{-.015}	101.25
SPR-8250	8-1/4	3/8	.3755 ^{+0.003} / _{+0.000}	8.250	.373 ^{+0.000} / _{-.002}	.283 ^{+0.000} / _{-.015}	77.76
SPR-8370	8-3/8	1/4	.2505 ^{+0.003} / _{+0.000}	8.375	.249 ^{+0.000} / _{-.002}	.283 ^{+0.000} / _{-.015}	82.17
SPR-8420	8.42	1/4	.2505 ^{+0.003} / _{+0.000}	8.420	.249 ^{+0.000} / _{-.001}	.306 ^{+0.000} / _{-.015}	62.50
SPR-8496	8.496	1/4	.2505 ^{+0.003} / _{+0.000}	8.496	.249 ^{+0.000} / _{-.002}	.160 ^{+0.000} / _{-.020}	69.95
SPR-8500	8-1/2	5/16	.313 ^{+0.003} / _{+0.000}	8.500	.311 ^{+0.000} / _{-.002}	.225 ^{+0.000} / _{-.015}	76.65
SPR-8503	8-1/2	5/16	.313 ^{+0.003} / _{+0.000}	8.500	.311 ^{+0.000} / _{-.002}	.309 ^{+0.000} / _{-.015}	76.65
SPR-8502	8-1/2	3/8	.3755 ^{+0.003} / _{+0.000}	8.500	.373 ^{+0.000} / _{-.002}	.290 ^{+0.000} / _{-.015}	92.45
SPR-8520-BC	8.52	3/16	.188 ^{+0.003} / _{+0.000}	8.520	.186 ^{+0.000} / _{-.002}	.310 ^{+0.000} / _{-.015}	88.31
SPR-8751	8-3/4	3/8	.3785 ^{+0.003} / _{+0.000}	8.750	.376 ^{+0.000} / _{-.002}	.305 ^{+0.000} / _{-.005}	89.97
SPR-9001	9	5/16	.313 ^{+0.003} / _{+0.000}	9.000	.311 ^{+0.000} / _{-.002}	.309 ^{+0.000} / _{-.015}	97.44
SPR-9000	9	3/8	.3755 ^{+0.003} / _{+0.000}	9.000	.373 ^{+0.000} / _{-.002}	.309 ^{+0.000} / _{-.015}	91.23
SPR-9004	9	.435	.4375 ^{+0.003} / _{+0.000}	9.000	.435 ^{+0.000} / _{-.002}	.259 ^{+0.000} / _{-.015}	132.09
SPR-9005	9	1/2	.5005 ^{+0.003} / _{+0.000}	9.000	.498 ^{+0.000} / _{-.002}	.195 ^{+0.000} / _{-.020}	160.74
SPR-9170	9.17	5/16	.313 ^{+0.003} / _{+0.000}	9.170	.311 ^{+0.000} / _{-.002}	.308 ^{+0.000} / _{-.010}	105.50
SPR-9251	9-1/4	5/16	.313 ^{+0.003} / _{+0.000}	9.250	.311 ^{+0.000} / _{-.002}	.315 ^{+0.000} / _{-.015}	159.39
SPR-9501	9-1/2	1/4	.2505 ^{+0.003} / _{+0.000}	9.500	.249 ^{+0.000} / _{-.002}	.320 ^{+0.000} / _{-.015}	226.34

STYLE SPR IRON PISTON RINGS

IRON PISTON RINGS

Part Number	B Nom. OD	C Nom. Ht	D GROOVE WIDTH	J BORE DIAMETER	C HEIGHT	CS ₁ RING CROSS SECTION	List Price
SPR-9500	9-1/2	5/16	.313 ^{+0.003} / _{+0.000}	9.500	.311 ^{+0.000} / _{-.002}	.320 ^{+0.000} / _{-.015}	237.09
SPR-9502	9-1/2	3/8	.3755 ^{+0.003} / _{+0.000}	9.500	.373 ^{+0.000} / _{-.002}	.320 ^{+0.000} / _{-.015}	175.63
SPR-9746	9.746	1/4	.2505 ^{+0.003} / _{+0.000}	9.746	.249 ^{+0.000} / _{-.002}	.160 ^{+0.000} / _{-.020}	111.17
SPR-9885	9.885	1/4	.2505 ^{+0.003} / _{+0.000}	9.885	.249 ^{+0.000} / _{-.002}	.340 ^{+0.000} / _{-.015}	131.78
SPR-10000	10	5/16	.313 ^{+0.003} / _{+0.000}	10.000	.311 ^{+0.000} / _{-.002}	.332 ^{+0.000} / _{-.015}	115.64
SPR-10001	10	3/8	.3755 ^{+0.003} / _{+0.000}	10.000	.373 ^{+0.000} / _{-.002}	.332 ^{+0.000} / _{-.015}	131.18
SPR-10030	10.03	5/16	.313 ^{+0.003} / _{+0.000}	10.030	.311 ^{+0.000} / _{-.001}	.345 ^{+0.000} / _{-.010}	142.49
SPR-10503	10-1/2	1/4	.2505 ^{+0.003} / _{+0.000}	10.500	.249 ^{+0.000} / _{-.001}	.380 ^{+0.000} / _{-.015}	257.42
SPR-10501	10-1/2	3/8	.3755 ^{+0.003} / _{+0.000}	10.500	.373 ^{+0.000} / _{-.002}	.332 ^{+0.000} / _{-.015}	169.24
SPR-10502	10-1/2	5/8	.6255 ^{+0.003} / _{+0.000}	10.500	.623 ^{+0.000} / _{-.002}	.253 ^{+0.000} / _{-.015}	287.81
SPR-11000	11	.474	.4765 ^{+0.003} / _{+0.000}	11.000	.474 ^{+0.000} / _{-.002}	.317 ^{+0.000} / _{-.015}	211.89
SPR-11001	11	1/2	.5005 ^{+0.003} / _{+0.000}	11.000	.498 ^{+0.000} / _{-.002}	.190 ^{+0.000} / _{-.015}	259.34
SPR-12001	12	7/16	.4385 ^{+0.003} / _{+0.000}	12.000	.436 ^{+0.000} / _{-.002}	.379 ^{+0.000} / _{-.015}	296.58
SPR-12030	12.03	3/8	.3755 ^{+0.003} / _{+0.000}	12.030	.373 ^{+0.000} / _{-.002}	.401 ^{+0.000} / _{-.015}	243.20

NYLON WEAR RING TECHNICAL INFORMATION



- A - CYLINDER BORE
- B - ROD DIAMETER
- C - MINIMUM BORE "A" MINUS .253/.256
- D - MAXIMUM ROD DIAMETER "B" PLUS .253/.256
- E - GROOVE WIDTH
- T - THICKNESS OF WEAR RING
- W - WIDTH OF WEAR RING
- X - MINIMUM RING GAP

Groove Dimensions For Standard Wear Ring Widths

1/2" Width			5/8" Width			3/4" Width			1" Width		
E	T	X	E	T	X	E	T	X	E	T	X
.515"	.125"	1/16"	.640"	.125"	1/16"	.765"	.125"	1/16"	1.015"	.125"	1/16"
.510"	.122"		.635"	.122"		.760"	.122"		1.010"	.122"	

Cut Down Factors For Standard Wear Rings

In many cases an oversized nylon wear ring can be cut down to fit a smaller groove without a loss of concentricity. Use the following guide when cutting down wear rings.

Wear Ring OD	Maximum amount to be Cut Down
4" OD	3/8" of circumference
4-1/2" - 6-1/2" OD	1/2"
7" -9" OD	1"
9-1/2" - 14" OD	1-1/2"

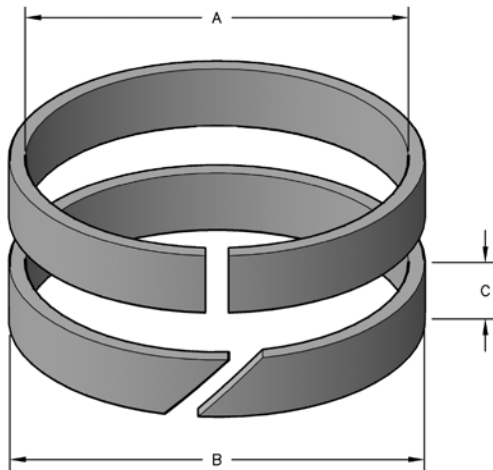
Flexible Guide Bearing Cut To Fit Formula

Use the following formula when cutting flexible guide bearing to fit a specific application.

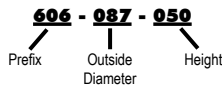
For Piston Bearings	For Rod Bearings
Bearing Length = (Bore - C.S.) x 3.14 - Gap	Bearing Length = (Rod + C.S.) x 3.14 - Gap

STYLE 600 NYLON WEAR RINGS

NOTE: "SC" suffix designates a Scarf Cut wear ring.
"ST" suffix designates a Step Cut wear ring.



HERCULES PART NUMBERS



SEAL INFORMATION

TEMPERATURE RANGE	-40° TO +275° F
TENSILE STRENGTH	25,000 PSI
COMPRESSIVE STRENGTH	26,000 PSI

WEAR RINGS

Part Number	A Nom. ID	B Nom. OD	C Nom. Ht	List Price
1/16" C/S				
606-087-050	3/4	7/8	1/2	\$19.35
606-112-037-BC	1	1-1/8	3/8	10.41
606-112-037-SC	1	1-1/8	3/8	38.23
606-112-050	1	1-1/8	1/2	11.91
606-125-018	1-1/8	1-1/4	3/16	67.34
606-125-050-BC	1-1/8	1-1/4	1/2	22.03
606-125-050-SC	1-1/8	1-1/4	1/2	22.03
606-125-075-SC	1-1/8	1-1/4	3/4	20.40
606-125-100	1-1/8	1-1/4	.99	19.76
606-137-050	1-1/4	1-3/8	1/2	15.46
606-150-031-SC	1-3/8	1-1/2	5/16	16.29
606-150-037-SC	1-3/8	1-1/2	3/8	17.09
606-150-062	1-3/8	1-1/2	5/8	22.50
606-162-082	1-1/2	1-5/8	.82	18.11
606-162-098-SC	1-1/2	1-5/8	63/64	15.46
606-162-125	1-1/2	1-5/8	1-1/4	32.51
606-187-082	1-3/4	1-7/8	.82	29.04
606-187-098-SC	1-3/4	1-7/8	63/64	37.98
606-200-025-SC	1-7/8	2	1/4	34.01
606-200-031-SC	1-7/8	2	5/16	16.40
606-200-072-SC	1-7/8	2	23/32	38.55
606-200-098-SC	1-7/8	2	63/64	50.70
606-212-072-SC	2	2-1/8	23/32	31.25
606-212-098-SC	2	2-1/8	.975	10.26
606-212-125	2	2-1/8	1-1/4	48.53
606-225-036	2-1/8	2-1/4	23/64	80.53
606-225-072-SC	2-1/8	2-1/4	23/32	79.34
606-225-098-SC	2-1/8	2-1/4	63/64	44.42
606-225-100	2-1/8	2-1/4	1	57.91
606-237-098-SC	2-1/4	2-3/8	.975	57.21
606-237-100	2-1/4	2-3/8	1	41.98
606-237-118	2-1/4	2-3/8	1-3/16	51.13
606-250-031-SC	2-3/8	2-1/2	5/16	16.61
606-250-037	2-3/8	2-1/2	3/8	11.00
606-250-050	2-3/8	2-1/2	1/2	26.77
606-250-126-SC	2-3/8	2-1/2	1.26	27.93

Part Number	A Nom. ID	B Nom. OD	C Nom. Ht	List Price
606-262-072-SC	2-1/2	2-5/8	.725	34.01
606-262-098-SC	2-1/2	2-5/8	63/64	55.50
606-262-124-SC	2-1/2	2-5/8	1.24	63.60
606-262-168	2-1/2	2-5/8	1-11/16	81.22
606-275-050	2-5/8	2-3/4	1/2	41.86
606-275-098-SC	2-5/8	2-3/4	63/64	23.03
606-275-100	2-5/8	2-3/4	1	33.95
606-287-098-SC	2-3/4	2-7/8	.978	22.78
606-287-100-SC	2-3/4	2-7/8	1	68.82
606-287-126-SC	2-3/4	2-7/8	1.26	57.77
606-287-157-SC	2-3/4	2-7/8	1-9/16	80.42
606-287-181	2-3/4	2-7/8	1-13/16	52.31
606-312-098-SC	3	3-1/8	63/64	24.48
606-312-124	3	3-1/8	1.24	114.47
606-312-148-SC	3	3-1/8	1.48	64.75
606-312-156	3	3-1/8	1-9/16	126.88
606-312-165-SC	3	3-1/8	1.65	64.76
606-325-031-SC	3-1/8	3-1/4	5/16	16.90
606-325-050	3-1/8	3-1/4	1/2	17.28
606-337-174	3-1/4	3-3/8	1.74	115.37
606-337-187	3-1/4	3-3/8	1-7/8	96.75
606-362-105	3-1/2	3-5/8	1.05	77.79
606-362-188-SC	3-1/2	3-5/8	1-7/8	93.39
606-387-100-BC	3-3/4	3-7/8	1	103.32
606-387-157	3-3/4	3-7/8	1.57	127.71
606-400-031-SC	3-7/8	4	5/16	36.82
606-487-100-BC	4-3/4	4-7/8	1	28.70
606-500-043-SC	4-7/8	5	7/16	31.60
606-512-075	5	5-1/8	3/4	77.34
606-512-100-BC	5	5-1/8	1	31.75
606-600-043-SC	5-7/8	6	7/16	36.37
606-800-050-SC	7-7/8	8	1/2	56.19
5/64" C/S				
608-115-050	1	1-5/32	1/2	\$37.81
608-125-050	1-3/32	1-1/4	1/2	18.64
608-140-050-SC	1-1/4	1.406	1/2	17.51
608-140-075	1-1/4	1.406	3/4	18.16

STYLE 600 NYLON WEAR RINGS

WEAR RINGS

Part Number	A Nom. ID	B Nom. OD	C Nom. Ht	List Price
608-140-100	1-1/4	1.406	1	20.27
608-152-075	1-3/8	1-17/32	3/4	20.33
608-154-075	1-3/8	1-17/32	3/4	19.30
608-166-050	1-1/2	1-21/32	1/2	9.00
608-166-062	1-1/2	1-21/32	5/8	17.83
608-166-075	1-1/2	1-21/32	3/4	14.23
608-216-098	2	2-5/32	.979	80.21
3/32" C/S				
609-125-018	1-1/16	1-1/4	3/16	\$5.89
609-125-037	1-1/16	1-1/4	3/8	51.75
609-150-018	1-5/16	1-1/2	3/16	7.29
609-150-037	1-5/16	1-1/2	3/8	19.00
609-200-019	1-13/16	2	3/16	7.29
609-200-037	1-13/16	2	3/8	19.87
609-218-037	2	2-3/16	3/8	12.13
609-250-037	2-5/16	2-1/2	3/8	21.16
609-255-150	2-23/64	2-35/64	1-1/2	17.45
609-285-100	2.663	2.85	1	20.54
609-300-022	2-13/16	3	7/32	5.78
609-325-037	3-1/16	3-1/4	3/8	22.15
609-331-062	3-1/8	3-5/16	5/8	10.54
609-350-021	3-5/16	3-1/2	.212	17.24
609-350-037-SC	3-5/16	3-1/2	3/8	14.35
609-350-050	3-5/16	3-1/2	1/2	11.67
609-362-022	3-7/16	3-5/8	7/32	14.02
609-393-022	3-3/4	3-15/16	7/32	5.99
609-400-037	3-13/16	4	3/8	24.49
609-500-050	4-13/16	5	1/2	26.74
609-600-050	5-13/16	6	1/2	27.55
.098" C/S				
610-150-021-SC	1.304	1-1/2	.21	\$21.82
609R-169-037P-SC	1-1/2	1.696	3/8	11.25
609P-300-037-SC	2.804	3	3/8	18.50
609R-369-050P-SC	3-1/2	3.696	1/2	19.84
609R-419-075P-SC	4	4.196	3/4	27.11
609P-600-050P-SC	5.804	6	1/2	21.47
609P-650-075P-SC	6.304	6-1/2	3/4	48.47
609P-700-075P-SC	6.804	7	3/4	49.27
.1" C/S				
610-270-228	2-1/2	2.7	2.28	\$121.61
610-295-196	2-3/4	2.95	1.96	102.14
610-300-099-SC	2.8	3	.99	24.66
610-320-117-SC	3	3.2	1.17	86.61
610-325-112	3.05	3-1/4	1-1/8	93.56
610-345-162-SC	3-1/4	3.45	1-5/8	83.82
610-345-196	3-1/4	3.45	1.96	94.85
610-345-274-SC	3-1/4	3.45	2.74	137.03
610-370-075-SC	3-1/2	3.7	3/4	11.27
610-370-176	3-1/2	3.7	1.76	153.37
610-370-188-SC	3-1/2	3.7	1-7/8	137.70
610-370-236-SC	3-1/2	3.7	2.36	149.30
610-395-243	3-3/4	3.95	2-7/16	157.39
610-420-156-SC	4	4.2	1-9/16	130.42
610-420-255	4	4.2	2.55	109.82
610-445-237	4-1/4	4.45	2-3/8	122.73
610-470-196-SC	4-1/2	4.7	1.96	75.86
610-495-196-SC	4-3/4	4.95	1.96	91.72

Part Number	A Nom. ID	B Nom. OD	C Nom. Ht	List Price
610-520-250	5	5.2	2-1/2	153.37
610-595-361	5-3/4	5.95	3.6125	232.17
610-620-196-SC	6	6.2	1.96	125.48
610-670-226-SC	6-1/2	6.7	2.262	91.42
610-720-235-SC	7	7.2	2.35	169.90
610-720-314	7	7.2	3.14	102.08
610-745-235-SC	7-1/4	7.45	2.35	78.69
610-770-313-SC	7-1/2	7.698	3.13	86.89
610-820-295-SC	8	8.2	2.95	242.50
1/8" C/S				
612-100-037	3/4	1	3/8	\$6.30
612-100-087-SC	3/4	1	7/8	58.13
612-112-037	7/8	1-1/8	3/8	6.30
612-125-037	1	1-1/4	3/8	6.30
612-125-050	1	1-1/4	1/2	7.65
612-137-050	1-1/8	1-3/8	1/2	7.36
612-150-025	1-1/4	1-1/2	1/4	4.90
612-150-037	1-1/4	1-1/2	3/8	6.30
612-150-050-SC	1-1/4	1-1/2	1/2	6.30
612-150-062	1-1/4	1-1/2	5/8	6.30
612-150-100	1-1/4	1-1/2	1	14.58
612-162-037	1-3/8	1-5/8	3/8	8.45
612-162-050	1-3/8	1-5/8	1/2	6.23
612-175-025	1-1/2	1-3/4	1/4	6.23
612-175-037	1-1/2	1-3/4	3/8	12.45
612-175-050	1-1/2	1-3/4	1/2	6.23
612-175-075	1-1/2	1-3/4	3/4	7.99
612-175-100	1-1/2	1-3/4	1	9.19
612-187-050	1-5/8	1-7/8	1/2	6.56
612-187-075	1-5/8	1-7/8	3/4	7.00
612-200-016	1-3/4	2	.16	34.16
612-200-018	1-3/4	2	3/16	12.52
612-200-025-SC	1-3/4	2	1/4	5.40
612-200-037-SC	1-3/4	2	3/8	6.38
612-200-050-SC	1-3/4	2	1/2	6.72
612R-200-050P	1-3/4	2	1/2	12.38
612-200-062	1-3/4	2	5/8	6.87
612-200-075	1-3/4	2	3/4	7.14
612-200-100	1-3/4	2	1	12.38
612-200-100P-SC	1-3/4	2	1	21.03
612-200-150	1-3/4	2	1-1/2	51.83
612-212-037	1-7/8	2-1/8	3/8	6.72
612-212-050	1-7/8	2-1/8	1/2	7.58
612-212-075	1-7/8	2-1/8	3/4	6.87
612-218-026	1.937	2.187	.26	6.12
612-218-050	1.937	2.187	1/2	20.81
612-225-018	2	2-1/4	.187	4.72
612-225-025	2	2-1/4	1/4	5.60
612-225-031	2	2-1/4	5/16	6.72
612-225-037	2	2-1/4	3/8	6.72
612-225-050	2	2-1/4	1/2	6.72
612-225-050-SC	2	2-1/4	1/2	11.95
612-225-062	2	2-1/4	5/8	7.04
612-225-075	2	2-1/4	3/4	6.94
612-225-075-SC	2	2-1/4	3/4	12.43
612-225-087-SC	2	2-1/4	7/8	13.12
612-225-100	2	2-1/4	1	17.10

STYLE 600 NYLON WEAR RINGS

WEAR RINGS

Part Number	A Nom. ID	B Nom. OD	C Nom. Ht	List Price
612-225-100-SC	2	2-1/4	1	13.62
612-225-125P	2	2-1/4	1-1/4	72.31
612-237-025	2-1/8	2-3/8	1/4	15.91
612-237-050	2-1/8	2-3/8	1/2	6.94
612-237-075	2-1/8	2-3/8	3/4	8.30
612-250-016P	2-1/4	2-1/2	.16	16.82
612-250-018	2-1/4	2-1/2	3/16	9.22
612-250-025	2-1/4	2-1/2	1/4	6.23
612-250-031	2-1/4	2-1/2	5/16	6.30
612-250-037-SC	2-1/4	2-1/2	3/8	6.94
612-250-050-SC	2-1/4	2-1/2	1/2	6.98
612-250-050-ST	2-1/4	2-1/2	1/2	11.57
612-250-062	2-1/4	2-1/2	5/8	7.47
612-250-074-SC	2-1/4	2-1/2	.74	14.88
612-250-075	2-1/4	2-1/2	3/4	8.30
612-250-087	2-1/4	2-1/2	7/8	13.32
612-250-098-SL	2-1/4	2-1/2	.98	41.10
612-250-100	2-1/4	2-1/2	1	9.19
612-250-100-ST	2-1/4	2-1/2	1	20.50
612-250-100P	2-1/4	2-1/2	1	59.35
612-250-150	2-1/4	2-1/2	1-1/2	24.97
612-262-050	2-3/8	2-5/8	1/2	12.05
612-262-062	2-3/8	2-5/8	5/8	7.58
612-262-075	2-3/8	2-5/8	3/4	8.51
612-262-100	2-3/8	2-5/8	1	35.63
612-275-025	2-1/2	2-3/4	1/4	14.53
612-275-031	2-1/2	2-3/4	5/16	7.04
612-275-031P	2-1/2	2-3/4	5/16	12.05
612-275-037-SC	2-1/2	2-3/4	3/8	7.04
612-275-050-SC	2-1/2	2-3/4	1/2	7.04
612-275-062	2-1/2	2-3/4	5/8	7.58
612-275-062-SC	2-1/2	2-3/4	5/8	21.48
612-275-075	2-1/2	2-3/4	3/4	8.65
612-275-093-SC	2-1/2	2-3/4	15/16	21.19
612-275-099-SL	2-1/2	2-3/4	.99	41.73
612-275-100	2-1/2	2-3/4	1	9.11
612-275-100-ST	2-1/2	2-3/4	1	31.22
612-275-100P-SC	2-1/2	2-3/4	1	37.63
612-275-150	2-1/2	2-3/4	1-1/2	25.57
612-275-200P-SC	2-1/2	2-3/4	2	30.73
612-287-025	2-5/8	2-7/8	1/4	5.20
612-287-050	2-5/8	2-7/8	1/2	8.69
612-287-075	2-5/8	2-7/8	3/4	13.77
612-287-087	2-5/8	2-7/8	7/8	24.48
612-287-100	2-5/8	2-7/8	1	9.15
612-300-016P	2-3/4	3	.16	32.44
612-300-025	2-3/4	3	1/4	6.48
612-300-031	2-3/4	3	5/16	6.94
612-300-037-SC	2-3/4	3	3/8	7.15
612P-300-037P	2-3/4	3	3/8	33.02
612-300-050-SC	2-3/4	3	1/2	7.15
612-300-050-ST	2-3/4	3	1/2	21.49
612-300-050P	2-3/4	3	1/2	17.87
612-300-050P-SC	2-3/4	3	1/2	27.44
612-300-062	2-3/4	3	5/8	13.94
612-300-075-SC	2-3/4	3	3/4	8.23
612-300-075-SL	2-3/4	3	3/4	36.45
612-300-099-SC	2-3/4	3	63/64	26.55

Part Number	A Nom. ID	B Nom. OD	C Nom. Ht	List Price
612-300-100-SC	2-3/4	3	1	7.99
612-300-124-SC	2-3/4	3	1.24	37.24
612-306-025	2.812	3.062	1/4	12.75
612-312-050	2-7/8	3-1/8	1/2	7.36
612-312-100	2-7/8	3-1/8	1	12.62
612-325-025	3	3-1/4	1/4	6.94
612-325-031	3	3-1/4	5/16	7.04
612-325-037-SC	3	3-1/4	3/8	7.36
612-325-050-SC	3	3-1/4	1/2	7.36
612-325-062	3	3-1/4	5/8	8.00
612-325-075-SC	3	3-1/4	3/4	8.23
612-325-100	3	3-1/4	1	8.82
612-325-100-SC	3	3-1/4	1	15.63
612-325-111	3	3-1/4	1-7/64	28.70
612-325-125	3	3-1/4	1-1/4	32.87
612-325-150-ST	3	3-1/4	1-1/2	25.05
612-325-150P	3	3-1/4	1-1/2	25.57
612-325-155	3	3-1/4	1.55	35.63
612-325-162-SC	3	3-1/4	1-5/8	31.92
612-325-200	3	3-1/4	2	42.07
612-325-200P-SC	3	3-1/4	2	42.07
612-325-212-SC	3	3-1/4	2-1/8	41.41
612-337-075	3-1/8	3-3/8	3/4	8.23
612-350-016P	3-1/4	3-1/2	.16	35.84
612-350-025	3-1/4	3-1/2	1/4	7.81
612-350-037-SC	3-1/4	3-1/2	3/8	7.40
612-350-043	3-1/4	3-1/2	7/16	17.49
612-350-050-SC	3-1/4	3-1/2	1/2	7.40
612-350-062	3-1/4	3-1/2	5/8	8.23
612-350-062-ST	3-1/4	3-1/2	5/8	19.19
612-350-075	3-1/4	3-1/2	3/4	8.26
612-350-075-SL	3-1/4	3-1/2	3/4	35.26
612-350-075P	3-1/4	3-1/2	3/4	28.80
612-350-087	3-1/4	3-1/2	7/8	17.06
612-350-100-SC	3-1/4	3-1/2	1	8.97
612-350-100-SL	3-1/4	3-1/2	1	35.73
612-350-100-ST	3-1/4	3-1/2	1	38.79
612-350-112-SC	3-1/4	3-1/2	1-1/8	22.92
612-350-150	3-1/4	3-1/2	1-1/2	25.58
612-362-050	3-3/8	3-5/8	1/2	14.64
612-362-062	3-3/8	3-5/8	5/8	12.97
612-362-075	3-3/8	3-5/8	3/4	8.26
612-362-100	3-3/8	3-5/8	1	29.69
612-375-037-SC	3-1/2	3-3/4	3/8	9.39
612-375-050-SC	3-1/2	3-3/4	1/2	7.54
612-375-050-ST	3-1/2	3-3/4	1/2	33.67
612-375-050P-SC	3-1/2	3-3/4	1/2	20.17
612-375-062	3-1/2	3-3/4	5/8	8.49
612-375-075	3-1/2	3-3/4	3/4	8.65
612-375-100-SC	3-1/2	3-3/4	1	9.04
612-375-100P-SC	3-1/2	3-3/4	1	24.84
612-375-124-SC	3-1/2	3-3/4	1.24	25.24
612-375-125	3-1/2	3-3/4	1-1/4	32.96
612-375-149	3-1/2	3-3/4	1.49	47.69
612-375-199	3-1/2	3-3/4	1.99	68.04
612-387-025	3-5/8	3-7/8	1/4	10.27
612-387-100	3-5/8	3-7/8	1	24.21
612-387-100-SC	3-5/8	3-7/8	1	24.21

STYLE 600 NYLON WEAR RINGS

WEAR RINGS

Part Number	A Nom. ID	B Nom. OD	C Nom. Ht	List Price
612-400-031	3-3/4	4	5/16	22.45
612-400-037-SC	3-3/4	4	3/8	9.39
612-400-050-SC	3-3/4	4	1/2	7.54
612-400-050-ST	3-3/4	4	1/2	59.54
612-400-062	3-3/4	4	5/8	8.82
612-400-062-ST	3-3/4	4	5/8	8.82
612-400-075-SC	3-3/4	4	3/4	8.26
612-400-075-SL	3-3/4	4	3/4	37.01
612-400-087	3-3/4	4	7/8	17.38
612-400-099-SC	3-3/4	4	.99	33.25
612-400-100	3-3/4	4	1	9.66
612-400-100-SL	3-3/4	4	1	70.50
612-400-100P-SC	3-3/4	4	1	47.79
612-400-124-SC	3-3/4	4	1.24	38.68
612-400-125	3-3/4	4	1-1/4	21.82
612-400-150	3-3/4	4	1-1/2	53.69
612-412-042	3-7/8	4-1/8	.42	29.72
612-412-100	3-7/8	4-1/8	1	27.41
612-425-025	4	4-1/4	1/4	19.86
612-425-037	4	4-1/4	3/8	9.64
612-425-050-SC	4	4-1/4	1/2	7.72
612-425-062	4	4-1/4	5/8	8.82
612-425-075-SC	4	4-1/4	3/4	9.15
612-425-087P	4	4-1/4	7/8	40.29
612-425-099-SC	4	4-1/4	.99	43.14
612-425-100-SC	4	4-1/4	1	11.82
612-425-100P	4	4-1/4	1	27.29
612-425-124-SC	4	4-1/4	1.24	23.62
612-425-125	4	4-1/4	1-1/4	24.08
612-425-125-SC	4	4-1/4	1-1/4	21.06
612-425-149-SC	4	4-1/4	1.49	31.50
612-425-150P	4	4-1/4	1-1/2	45.59
612-425-350	4	4-1/4	3-1/2	156.94
612-426-249-SC	4.01	4.26	2-31/64	88.31
612-437-050-SC	4-1/8	4-3/8	1/2	24.59
612-437-100-BC	4-1/8	4-3/8	1	53.88
612-440-062	4.15	4.4	5/8	8.82
612-450-037-SC	4-1/4	4-1/2	3/8	9.80
612-450-050-SC	4-1/4	4-1/2	1/2	7.92
612-450-050P	4-1/4	4-1/2	1/2	15.66
612-450-062	4-1/4	4-1/2	5/8	8.82
612-450-075	4-1/4	4-1/2	3/4	8.62
612-450-075-SC	4-1/4	4-1/2	3/4	15.80
612-450-087	4-1/4	4-1/2	7/8	20.40
612-450-099-SC	4-1/4	4-1/2	63/64	25.08
612-450-100-SC	4-1/4	4-1/2	1	11.82
612-450-100-SL	4-1/4	4-1/2	1	21.42
612-450-093-SC	4-1/4	4-1/2	1-5/16	26.31
612-450-149-SC	4-1/4	4-1/2	1.49	36.33
612-450-150	4-1/4	4-1/2	1-1/2	37.03
612-450-186	4-1/4	4-1/2	1-55/64	60.06
612-450-236	4-1/4	4-1/2	2-23/64	100.08
612-450-350	4-1/4	4-1/2	3-1/2	131.09
612-475-050	4-1/2	4-3/4	1/2	7.92
612-475-075-SC	4-1/2	4-3/4	3/4	8.82
612-475-099-SC	4-1/2	4-3/4	63/64	45.51
612-475-100-SC	4-1/2	4-3/4	1	11.92
612-475-124-SC	4-1/2	4-3/4	1.24	35.29

Part Number	A Nom. ID	B Nom. OD	C Nom. Ht	List Price
612-475-125-SC	4-1/2	4-3/4	1-1/4	22.03
612-475-150	4-1/2	4-3/4	1-1/2	40.68
612-475-156	4-1/2	4-3/4	1-9/16	59.88
612-475-164-SC	4-1/2	4-3/4	1.645	64.68
612-475-199	4-1/2	4-3/4	1.99	166.30
612-475-200	4-1/2	4-3/4	2	58.65
612-475-350	4-1/2	4-3/4	3-1/2	103.39
612-487-075	4-5/8	4-7/8	3/4	14.47
612-500-037	4-3/4	5	3/8	10.06
612-500-050-SC	4-3/4	5	1/2	7.92
612-500-062	4-3/4	5	.622	8.82
612-500-075-SC	4-3/4	5	3/4	8.82
612-500-100-SC	4-3/4	5	1	11.92
612-500-111-SC	4-3/4	5	1-7/64	29.44
612-500-112	4-3/4	5	1-1/8	30.07
612-500-124	4-3/4	5	1.24	64.04
612-500-155-SC	4-3/4	5	1.545	31.08
612-500-175	4-3/4	5	1-3/4	37.57
612-512-156	4-7/8	5-1/8	1-9/16	37.73
612-512-156-SC	4-7/8	5-1/8	1-9/16	37.73
612-525-037-BC	5	5-1/4	3/8	31.02
612-525-050	5	5-1/4	1/2	7.92
612-525-062	5	5-1/4	5/8	9.74
612-525-075-SC	5	5-1/4	3/4	9.01
612-525-100	5	5-1/4	1	12.82
612-525-102-SC	5	5-1/4	1-1/64	68.00
612-525-125	5	5-1/4	1-1/4	52.78
612-525-125-SC	5	5-1/4	1-1/4	55.35
612-525-149	5	5-1/4	1.49	41.53
612-525-200P-SC	5	5-1/4	2	64.04
612-525-361-SC	5	5-1/4	3.6125	132.51
612-537-100-SC	5-1/8	5-3/8	1-1/64	25.13
612-550-025	5-1/4	5-1/2	1/4	23.58
612-550-037	5-1/4	5-1/2	3/8	7.92
612-550-050-SC	5-1/4	5-1/2	1/2	7.92
612-550-050-ST	5-1/4	5-1/2	1/2	42.22
612-550-050P	5-1/4	5-1/2	1/2	33.01
612-550-062	5-1/4	5-1/2	5/8	9.36
612-550-075-SC	5-1/4	5-1/2	3/4	9.01
612-550-100-SC	5-1/4	5-1/2	1	12.05
612-550-125	5-1/4	5-1/2	1-1/4	33.70
612-550-137	5-1/4	5-1/2	1-3/8	65.13
612-550-161	5-1/4	5-1/2	1-39/64	82.83
612-550-175-SC	5-1/4	5-1/2	1.74	44.63
612-550-199	5-1/4	5-1/2	1.99	91.38
612-550-224-SC	5-1/4	5-1/2	2-15/64	107.29
612-575-050-SC	5-1/2	5-3/4	1/2	9.04
612-575-062	5-1/2	5-3/4	5/8	9.64
612-575-075	5-1/2	5-3/4	3/4	11.57
612-575-100-SC	5-1/2	5-3/4	1	12.29
612-575-150	5-1/2	5-3/4	1-1/2	44.43
612-575-161-SC	5-1/2	5-3/4	1-39/64	133.35
612-575-175	5-1/2	5-3/4	1-3/4	40.13
612-575-199	5-1/2	5-3/4	1.99	104.25
612-575-236	5-1/2	5-3/4	2.368	142.79
612-600-037	5-3/4	6	3/8	11.40
612-600-050-SC	5-3/4	6	1/2	9.04
612-600-050P-SC	5-3/4	6	1/2	16.40

FORMERLY LISTED REPAIR PARTS ARE AVAILABLE ONLINE AT WWW.HERCULESUS.COM
OR BY CONTACTING YOUR REGIONAL HERCULES SALES TEAM.

STYLE 600 NYLON WEAR RINGS

WEAR RINGS

Part Number	A Nom. ID	B Nom. OD	C Nom. Ht	List Price
612-600-062	5-3/4	6	5/8	9.64
612-600-062-SC	5-3/4	6	5/8	34.55
612-600-075-SC	5-3/4	6	3/4	9.36
612-600-087	5-3/4	6	7/8	24.55
612-600-100-SC	5-3/4	6	1	12.29
612-600-107	5-3/4	6	1-1/16	58.27
612-600-124-SC	5-3/4	6	1-15/64	46.21
612-600-125	5-3/4	6	1-15/64	43.95
612-600-131-SC	5-3/4	6	1-5/16	49.37
612-600-150	5-3/4	6	1-1/2	51.58
612-600-150-ST	5-3/4	6	1-1/2	68.22
612-600-174	5-3/4	6	1.74	74.39
612-600-200	5-3/4	6	2	64.67
612-600-286	5-3/4	6	2-55/64	178.13
612-625-050	6	6-1/4	1/2	10.37
612-625-062	6	6-1/4	5/8	9.70
612-625-075	6	6-1/4	3/4	10.34
612-625-100	6	6-1/4	1	12.41
612-625-149-SC	6	6-1/4	1.49	51.58
612-625-150	6	6-1/4	1-1/2	42.21
612-625-174-SC	6	6-1/4	1.74	86.08
612-625-200	6	6-1/4	2	69.55
612-625-200P-SC	6	6-1/4	2	108.05
612-625-274-SC	6	6-1/4	2.74	239.01
612-650-037	6-1/4	6-1/2	3/8	19.00
612-650-050-SC	6-1/4	6-1/2	1/2	10.37
612-650-062	6-1/4	6-1/2	.622	10.37
612-650-075	6-1/4	6-1/2	3/4	10.37
612-650-100-SC	6-1/4	6-1/2	1	13.25
612-650-125	6-1/4	6-1/2	1-1/4	47.31
612-650-137	6-1/4	6-1/2	1-3/8	42.82
612-650-149-SC	6-1/4	6-1/2	1.49	43.06
612-650-150-ST	6-1/4	6-1/2	1-1/2	43.06
612-650-174	6-1/4	6-1/2	1.74	85.70
612-650-199-SC	6-1/4	6-1/2	1.99	72.64
612-650-200	6-1/4	6-1/2	2	81.46
612-650-274-SC	6-1/4	6-1/2	2.74	239.01
612-650-286	6-1/4	6-1/2	2-55/64	118.02
612-650-348-SC	6-1/4	6-1/2	3-31/64	230.39
612-675-050	6-1/2	6-3/4	1/2	9.39
612-675-075	6-1/2	6-3/4	3/4	13.77
612-675-100	6-1/2	6-3/4	1	16.90
612-675-150P	6-1/2	6-3/4	1-1/2	42.53
612-676-125P-SC	6.506	6.756	1-1/4	67.07
612-700-050-SC	6-3/4	7	1/2	10.37
612-700-062	6-3/4	7	5/8	10.37
612-700-062-SC	6-3/4	7	5/8	19.72
612-700-068	6-3/4	7	11/16	52.46
612-700-075-SC	6-3/4	7	3/4	13.77
612-700-100-SC	6-3/4	7	1	17.69
612-700-149-ST	6-3/4	7	1-31/64	38.32
612-700-150-SC	6-3/4	7	1-1/2	21.51
612-700-174	6-3/4	7	1.74	85.92
612-700-199-SC	6-3/4	7	1.99	89.35
612-700-200	6-3/4	7	2	81.46
612-700-236-SC	6-3/4	7	2-23/64	214.13
612-700-300	6-3/4	7	3	220.71
612-700-312	6-3/4	7	3-7/64	88.52

Part Number	A Nom. ID	B Nom. OD	C Nom. Ht	List Price
612-725-050	7	7-1/4	1/2	18.56
612-725-062	7	7-1/4	5/8	23.20
612-725-075	7	7-1/4	3/4	13.98
612-725-100-SC	7	7-1/4	1	27.32
612-725-138	7	7-1/4	1-3/8	94.26
612-725-199-SC	7	7-1/4	1.99	92.68
612-725-200	7	7-1/4	2	94.53
612-725-200P-SC	7	7-1/4	2	92.68
612-725-710	7	7-1/4	7.1	442.11
612-750-050	7-1/4	7-1/2	1/2	10.37
612-750-062	7-1/4	7-1/2	5/8	16.86
612-750-075	7-1/4	7-1/2	3/4	12.10
612-750-100	7-1/4	7-1/2	1	27.32
612-750-149-SC	7-1/4	7-1/2	1.49	74.15
612-750-200	7-1/4	7-1/2	2	80.59
612-750-236	7-1/4	7-1/2	2-23/64	137.28
612-750-249-SC	7-1/4	7-1/2	2.49	131.14
612-750-295	7-1/4	7-1/2	2.935	109.40
612-775-050	7-1/2	7-3/4	1/2	37.77
612-775-100	7-1/2	7-3/4	1	47.50
612-775-199	7-1/2	7-3/4	1.99	99.65
612-775-350	7-1/2	7-3/4	3-1/2	226.03
612-787-100	7-5/8	7-7/8	1	60.01
612-800-050-SC	7-3/4	8	1/2	11.28
612-800-062	7-3/4	8	5/8	23.20
612-800-075-SC	7-3/4	8	3/4	15.97
612-800-087	7-3/4	8	7/8	47.55
612-800-100-SC	7-3/4	8	1	27.32
612-800-146-ST	7-3/4	8	1.46	84.93
612-800-200	7-3/4	8	2	125.06
612-800-225-SC	7-3/4	8	2.244	211.29
612-800-500	7-3/4	8	5	211.96
612-825-075	8	8-1/4	3/4	28.41
612-825-100-SC	8	8-1/4	1	29.25
612-825-125	8	8-1/4	1-1/4	48.98
612-825-174-SC	8	8-1/4	1.74	85.19
612-825-212-SC	8	8-1/4	2-1/8	132.00
612-825-224-SC	8	8-1/4	2-15/64	141.11
612-825-249	8	8-1/4	2.485	216.93
612-825-411-SC	8	8-1/4	4-7/64	149.34
612-850-050	8-1/4	8-1/2	1/2	12.52
612-850-062	8-1/4	8-1/2	5/8	17.83
612-850-075	8-1/4	8-1/2	3/4	21.98
612-850-100	8-1/4	8-1/2	1	36.69
612-850-117-SC	8-1/4	8-1/2	1.174	64.74
612-850-150-ST	8-1/4	8-1/2	1-1/2	67.53
612-850-200	8-1/4	8-1/2	2	92.68
612-850-236	8-1/4	8-1/2	2-23/64	190.90
612-850-237	8-1/4	8-1/2	2-3/8	110.69
612-850-300	8-1/4	8-1/2	3	217.84
612-862-050	8-3/8	8-5/8	1/2	18.64
612-862-100	8-3/8	8-5/8	1	52.67
612-875-100	8-1/2	8-3/4	1	56.23
612-900-050	8-3/4	9	1/2	20.01
612-900-062	8-3/4	9	5/8	18.79
612-900-075	8-3/4	9	3/4	22.87
612-900-075-SC	8-3/4	9	3/4	33.95
612-900-100	8-3/4	9	1	37.36

STYLE 600 NYLON WEAR RINGS

WEAR RINGS

Part Number	A Nom. ID	B Nom. OD	C Nom. Ht	List Price
612-900-150-SC	8-3/4	9	1-1/2	50.67
612-900-200	8-3/4	9	2	304.52
612-900-293-SC	8-3/4	9	2.946	136.78
612-912-100	8-7/8	9-1/8	1	53.78
612-925-087-SC	9	9-1/4	7/8	46.08
612-925-100-SC	9	9-1/4	1	54.72
612-925-101-SC	8.994	9-1/4	1-1/64	103.05
612-925-150-SC	9	9-1/4	1-1/2	179.72
612-925-225	9	9-1/4	2-1/4	217.13
612-950-050	9-1/4	9-1/2	1/2	20.92
612-950-062	9-1/4	9-1/2	5/8	21.19
612-950-075	9-1/4	9-1/2	3/4	33.31
612-950-100	9-1/4	9-1/2	1	67.51
612-950-125	9-1/4	9-1/2	1-1/4	81.32
612-962-150P-SC	9-3/8	9-5/8	1-1/2	133.14
612-975-050	9-1/2	9-3/4	1/2	35.62
612-975-075	9-1/2	9-3/4	3/4	36.40
612-987-050	9-5/8	9-7/8	1/2	35.03
612-1000-025	9-3/4	10	1/4	59.00
612-1000-050-SC	9-3/4	10	1/2	35.03
612-1000-062	9-3/4	10	5/8	54.34
612-1000-075-SC	9-3/4	10	3/4	36.40
612-1000-100-SC	9-3/4	10	1	40.06
612-1000-125	9-3/4	10	1-1/4	52.98
612-1000-149-SC	9-3/4	10	1.485	130.56
612-1000-150	9-3/4	10	1-1/2	106.73
612-1000-175	9-3/4	10	1-3/4	188.06
612-1000-274-SC	9-3/4	10	2.74	222.33
612-1000-324-SC	9-3/4	10	3.24	172.38
612-1025-075	10	10-1/4	3/4	143.98
612-1025-100	10	10-1/4	1	64.07
612-1025-125-SC	10	10-1/4	1-1/4	154.39
612-1050-050	10-1/4	10-1/2	1/2	53.82
612-1050-100	10-1/4	10-1/2	1	107.21
612-1050-125	10-1/4	10-1/2	1-1/4	114.83
612-1050-150-ST	10-1/4	10-1/2	1-1/2	292.39
612-1050-274	10-1/4	10-1/2	2-47/64	292.50
612-1050-374-SC	10-1/4	10-1/2	3.74	173.08
612-1050-375	10-1/4	10-1/2	3-3/4	240.04
612-1050-400	10-1/4	10-1/2	4	247.31
612-1100-050	10-3/4	11	1/2	99.79
612-1100-100	10-3/4	11	1	105.88
612-1100-125	10-3/4	11	1-1/4	115.03
612-1100-162	10-3/4	11	1-5/8	257.89
612-1100-187	10-3/4	11	1-7/8	326.67
612-1100-323-SC	10-3/4	11	3.235	372.17
612-1125-125	11	11-1/4	1-1/4	180.51
612-1150-075	11-1/4	11-1/2	3/4	79.83
612-1150-125	11-1/4	11-1/2	1-1/4	141.02
612-1150-387	11-1/4	11-1/2	3-7/8	189.99
612-1200-050	11-3/4	12	1/2	60.90
612-1200-100P	11-3/4	12	1	102.18
612-1200-125	11-3/4	12	1-1/4	189.64
612-1200-150	11-3/4	12	1-1/2	200.94
612-1200-200	11-3/4	12	2	220.43
612-1225-100	12	12-1/4	1	270.84
612-1225-125	12	12-1/4	1-1/4	279.96
612-1250-075	12-1/4	12-1/2	3/4	204.41

Part Number	A Nom. ID	B Nom. OD	C Nom. Ht	List Price
612-1250-399-SC	12-1/4	12-1/2	3.987	333.79
612-1275-399-SC	12-1/2	12-3/4	3.987	380.80
612-1300-150	12-3/4	13	1-1/2	515.10
612-1325-100	13	13-1/4	1	204.13
612-1350-075	13-1/4	13-1/2	3/4	234.52
612-1375-399-SC	13-1/2	13-3/4	4	420.11
612-1400-050	13-3/4	14	1/2	216.54
612-1400-100-SC	13-3/4	14	1	218.37
612-1400-125	13-3/4	14	1-1/4	308.17
612-1400-150	13-3/4	14	1-1/2	363.21
612-1425-399-SC	14	14-1/4	3.993	438.65
612-1600-050	15-3/4	16	1/2	299.92
612-1600-100-SC	15-3/4	16	1	212.22
612-1600-150	15-3/4	16	1-1/2	535.05
3/16" C/S				
616-2203-062	1.825	2.2	5/8	\$19.45
616-2623-062	2-1/4	2-5/8	5/8	25.52
616-2873-062	2-1/2	2-7/8	5/8	18.47
616-3003-050	2-5/8	3	1/2	67.79
616-3003-075	2-5/8	3	3/4	19.56
616-3003-087	2-5/8	3	7/8	23.55
616-3063-062	2-11/16	3-1/16	5/8	23.62
616-3123-100	2-3/4	3-1/8	1	43.76
616-3123-125	2-3/4	3-1/8	1-1/4	75.76
616-3253-062	2-7/8	3-1/4	5/8	42.47
616-3373-125	3	3-3/8	1-1/4	84.93
616-3503-050	3-1/8	3-1/2	1/2	28.87
616-3503-075	3-1/8	3-1/2	3/4	23.79
616-3503-100	3-1/8	3-1/2	1	43.27
616-3623-125	3-1/4	3-5/8	1-1/4	46.92
616-3873-125	3-1/2	3-7/8	1-1/4	41.37
616-3873-175	3-1/2	3-7/8	1-3/4	74.48
616-3873-262	3-1/2	3-7/8	2-5/8	129.25
616-4003-050	3-5/8	4	1/2	29.39
616-4003-087	3-5/8	4	7/8	24.80
616-4003-100	3-5/8	4	1	53.93
616-4123-100	3-3/4	4-1/8	1	54.44
616-4253-075	3-7/8	4-1/4	3/4	26.20
616-4373-150	4	4-3/8	1-1/2	50.70
616-4373-175	4	4-3/8	1-3/4	114.37
616-4503-050	4-1/8	4-1/2	1/2	36.20
616-4503-100	4-1/8	4-1/2	1	57.32
616-4875-150	4-1/2	4-7/8	1-1/2	79.43
616-4875-225	4-1/2	4-7/8	2-1/4	118.02
616-5003-087	4-5/8	5	7/8	29.04
616-5003-100	4-5/8	5	1	47.83
616-5003-150	4-5/8	5	1-1/2	50.18
616-5123-075	4-3/4	5-1/8	3/4	53.54
616-5503-050-SC	5-1/8	5-1/2	1/2	47.03
616-5503-087	5-1/8	5-1/2	7/8	47.93
616-5503-100	5-1/8	5-1/2	1	65.16
616-5503-125-SC	5-1/8	5-1/2	1-1/4	52.14
616-5503-150	5-1/8	5-1/2	1-1/2	69.84
616-5503-174	5-1/8	5-1/2	1.74	102.20
616-5753-100	5-3/8	5-3/4	1	78.37
616-6003-062	5-5/8	6	5/8	40.06
616-6003-087	5-5/8	6	7/8	51.32

STYLE 600 NYLON WEAR RINGS

WEAR RINGS

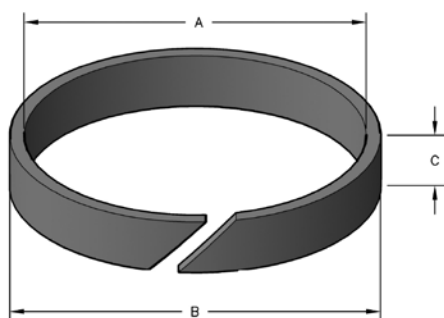
Part Number	A Nom. ID	B Nom. OD	C Nom. Ht	List Price
616-6003-100	5-5/8	6	1	74.66
616-6003-125	5-5/8	6	1-1/4	49.43
616-6003-274	5-5/8	6	2.74	236.33
616-6123-075	5-3/4	6-1/8	3/4	161.08
616-6123-095	5-3/4	6-1/8	61/64	91.59
616-6503-075	6-1/8	6-1/2	3/4	86.58
616-6503-150	6-1/8	6-1/2	1-1/2	62.43
616-6753-100	6-3/8	6-3/4	1	79.11
616-7003-125	6-5/8	7	1-1/4	60.96
616-7123-087	6-3/4	7-1/8	7/8	103.85
616-7123-100	6-3/4	7-1/8	1	84.06
616-7253-100	6-7/8	7-1/4	1	84.06
616-7253-306	6-7/8	7-1/4	3-1/16	258.61
616-7373-161	7	7.374	1.61	93.52
616-7373-738	7	7-3/8	7-3/8	518.85
616-8003-050	7-5/8	8	1/2	82.45
616-8003-150	7-5/8	8	1-1/2	88.33
616-8003-275	7-5/8	8	2-3/4	226.62
616-8253-199	7-7/8	8-1/4	1.99	212.68
616-8253-274	7-7/8	8-1/4	2.74	293.34
616-8503-100	8-1/8	8-1/2	1	86.62
616-9503-193	9-1/8	9-1/2	1.915	296.71
616-9875-050	9-1/2	9-7/8	1/2	150.56
616-10003-125	9-5/8	10	1-1/4	133.99
616-10003-150	9-5/8	10	1-1/2	258.55
616-11375-261-SC	11	11-3/8	2-39/64	210.73
616-11375-1097-SC	11	11-3/8	11	1391.00
616-12003-250	11-5/8	12	2-1/2	273.84
616-12253-400	11-7/8	12-1/4	4	460.06
616-12503-200-SC	12-1/8	12-1/2	2	449.90
616-12873-289	12-1/2	12-7/8	2-57/64	258.33
616-12875-1218-SC	12-1/2	12-7/8	12-3/16	1442.19
616-13125-785-SC	12-3/4	13-1/8	7-55/64	1224.37
616-13875-236-SC	13-1/2	13-7/8	2-23/64	257.09
616-13875-999-SC	13-1/2	13-7/8	10	1039.74
616-14003-100	13-5/8	14	1	508.17
616-15125-769-SC	14-3/4	15-1/8	7-11/16	1083.47
616-16003-200-SC	15-5/8	16	2	901.99
616-16125-769-SC	15-3/4	16-1/8	7-11/16	1024.12
1/4" C/S				
625-650-349	6	6-1/2	3.485	\$306.88
625-825-350	7-3/4	8-1/4	3.485	303.60

STYLE PB HERCULES® POWERBANDS™ 1/8" THICK

WEAR RINGS

Hercules® Sealing Products is pleased to introduce our new line of Powerband™ tight tolerance premium wear-rings. Manufactured from a highly engineered blend of premium nylon, glass fiber, and PTFE, Powerbands™ offer a high strength wear-ring for all cylinder applications, including those with minimal lubrication. And, with a Coefficient of Friction nearly 50% lower than our standard product, your cylinders will run smoother and more efficiently than ever.

All Powerbands™ are fully machined with cross-section tolerances of only $\pm 0.001"$, chamfered corners, and scarf or angle-cut end gaps. Compared to standard tolerances of $\pm 0.0025"$, this tightened tolerance improves the alignment and concentric operation of cylinder rods and pistons. The fully machined chamfered corners will better accommodate cylinder housing grooves, further improving piston and rod alignment. Lastly, the scarf-cut end gap reduces the loss of bearing support that may occur during cylinder side-loading. When combined, these features reduce the tolerance stack-up within the components of the cylinder. As a result, your cylinders will operate more consistently and be capable of operating at higher pressures and higher side loads than with standard wear-ring products. Furthermore, with this improved cylinder operation, your seals will last longer and the life of your cylinder will be extended. Powerbands™ are currently available in our most popular wear-ring dimensions, as shown here. If you do not see your size or would like more information on this innovative product, please contact your Hercules® Sales Representative.



HERCULES PART NUMBERS

PB12 - 100 - 037 - SC
 Prefix Outside Diameter Height

SEAL INFORMATION	
TEMPERATURE RANGE	-40° TO +275° F
TENSILE STRENGTH	20,000 PSI
FLEXURAL STRENGTH	34,000 PSI
COMPRESSIVE STRENGTH	20,000 PSI

Part Number	A Nom. ID	B Nom. OD	C Nom. Ht	List Price
PB06-150-025-SC	1-3/8	1-1/2	1/4	\$9.14
PB12-100-037-SC	3/4	1	3/8	14.86
PB12-112-037-SC	7/8	1-1/8	3/8	24.66
PB12-125-037-SC	1	1-1/4	3/8	15.15
PB12-125-050-SC	1	1-1/4	1/2	15.43
PB12-137-050-SC	1-1/8	1-3/8	1/2	15.89
PB12-150-025-SC	1-1/4	1-1/2	1/4	8.28
PB12-150-037-SC	1-1/4	1-1/2	3/8	10.62
PB12-150-050-SC	1-1/4	1-1/2	1/2	10.62
PB12-162-037-SC	1-3/8	1-5/8	3/8	16.83
PB12-162-050-SC	1-3/8	1-5/8	1/2	11.42
PB12-175-025-SC	1-1/2	1-3/4	1/4	14.12
PB12-175-037-SC	1-1/2	1-3/4	3/8	10.13
PB12-175-050-SC	1-1/2	1-3/4	1/2	9.97
PB12-175-075-SC	1-1/2	1-3/4	3/4	12.72
PB12-175-100-SC	1-1/2	1-3/4	1	15.58
PB12-187-050-SC	1-5/8	1-7/8	1/2	16.17
PB12-200-025-SC	1-3/4	2	1/4	8.63
PB12-200-037-SC	1-3/4	2	3/8	10.13
PB12-200-050-SC	1-3/4	2	1/2	10.64
PB12-200-062-SC	1-3/4	2	5/8	10.94
PB12-200-075-SC	1-3/4	2	3/4	11.38

Part Number	A Nom. ID	B Nom. OD	C Nom. Ht	List Price
PB12-200-100-SC	1-3/4	2	1	19.71
PB12-212-050-SC	1-7/8	2-1/8	1/2	14.69
PB12-212-075-SC	1-7/8	2-1/8	3/4	15.51
PB12-225-025-SC	2	2-1/4	1/4	14.69
PB12-225-037-SC	2	2-1/4	3/8	10.64
PB12-225-050-SC	2	2-1/4	1/2	10.64
PB12-225-062-SC	2	2-1/4	5/8	11.22
PB12-225-075-SC	2	2-1/4	3/4	11.02
PB12-225-100-SC	2	2-1/4	1	14.01
PB12-237-075-SC	2-1/8	2-3/8	3/4	16.36
PB12-250-025-SC	2-1/4	2-1/2	1/4	9.97
PB12-250-031-SC	2-1/4	2-1/2	5/16	14.12
PB12-250-037-SC	2-1/4	2-1/2	3/8	11.02
PB12-250-050-SC	2-1/4	2-1/2	1/2	11.13
PB12-250-062-SC	2-1/4	2-1/2	5/8	20.71
PB12-250-075-SC	2-1/4	2-1/2	3/4	13.21
PB12-250-100-SC	2-1/4	2-1/2	1	14.67
PB12-262-075-SC	2-3/8	2-5/8	3/4	16.83
PB12-275-037-SC	2-1/2	2-3/4	3/8	11.22
PB12-275-050-SC	2-1/2	2-3/4	1/2	11.22
PB12-275-062-SC	2-1/2	2-3/4	5/8	12.08
PB12-275-075-SC	2-1/2	2-3/4	3/4	13.75

STYLE PB HERCULES® POWERBANDS™ 1/8" THICK

WEAR RINGS

Part Number	A Nom. ID	B Nom. OD	C Nom. Ht	List Price
PB12-275-100-SC	2-1/2	2-3/4	1	14.44
PB12-275-150-SC	2-1/2	2-3/4	1-1/2	18.91
PB12-287-050-SC	2-5/8	2-7/8	1/2	13.78
PB12-300-025-SC	2-3/4	3	1/4	10.28
PB12-300-037-SC	2-3/4	3	3/8	11.40
PB12-300-050-SC	2-3/4	3	1/2	11.40
PB12-300-062-SC	2-3/4	3	5/8	11.40
PB12-300-075-SC	2-3/4	3	3/4	13.05
PB12-300-100-SC	2-3/4	3	1	12.72
PB12-325-025-SC	3	3-1/4	1/4	11.02
PB12-325-037-SC	3	3-1/4	3/8	11.67
PB12-325-050-SC	3	3-1/4	1/2	11.67
PB12-325-062-SC	3	3-1/4	5/8	12.78
PB12-325-075-SC	3	3-1/4	3/4	13.05
PB12-325-100-SC	3	3-1/4	1	14.01
PB12-325-125-SC	3	3-1/4	1-1/4	24.45
PB12-325-150-SC	3	3-1/4	1-1/2	25.36
PB12-350-025-SC	3-1/4	3-1/2	1/4	10.66
PB12-350-037-SC	3-1/4	3-1/2	3/8	11.73
PB12-350-050-SC	3-1/4	3-1/2	1/2	11.73
PB12-350-062-SC	3-1/4	3-1/2	5/8	13.05
PB12-350-075-SC	3-1/4	3-1/2	3/4	13.12
PB12-350-100-SC	3-1/4	3-1/2	1	14.29
PB12-350-112-SC	3-1/4	3-1/2	1-1/8	26.25
PB12-350-150-SC	3-1/4	3-1/2	1-1/2	30.73
PB12-362-075-SC	3-3/8	3-5/8	3/4	29.79
PB12-375-037-SC	3-1/2	3-3/4	3/8	14.91
PB12-375-050-SC	3-1/2	3-3/4	1/2	11.96
PB12-375-062-SC	3-1/2	3-3/4	5/8	18.58
PB12-375-075-SC	3-1/2	3-3/4	3/4	13.75
PB12-375-100-SC	3-1/2	3-3/4	1	14.37
PB12-375-125-SC	3-1/2	3-3/4	1-1/4	27.76
PB12-387-025-SC	3-5/8	3-7/8	1/4	39.38
PB12-387-100-SC	3-5/8	3-7/8	1	24.76
PB12-400-025-SC	3-3/4	4	1/4	17.69
PB12-400-031-SC	3-3/4	4	5/16	17.83
PB12-400-037-SC	3-3/4	4	3/8	14.91
PB12-400-050-SC	3-3/4	4	1/2	11.96
PB12-400-062-SC	3-3/4	4	5/8	14.01
PB12-400-075-SC	3-3/4	4	3/4	13.12
PB12-400-087-SC	3-3/4	4	7/8	24.76
PB12-400-100-SC	3-3/4	4	1	15.38
PB12-400-125-SC	3-3/4	4	1-1/4	26.25
PB12-412-050-SC	3-7/8	4-1/8	1/2	18.53
PB12-425-025-SC	4	4-1/4	1/4	12.15
PB12-425-037-SC	4	4-1/4	3/8	15.38
PB12-425-050-SC	4	4-1/4	1/2	12.35
PB12-425-062-SC	4	4-1/4	5/8	14.01
PB12-425-075-SC	4	4-1/4	3/4	14.49
PB12-425-100-SC	4	4-1/4	1	18.80
PB12-425-125-SC	4	4-1/4	1-1/4	39.88
PB12-425-150-SC	4	4-1/4	1-1/2	29.21
PB12-450-037-SC	4-1/4	4-1/2	3/8	18.80
PB12-450-050-SC	4-1/4	4-1/2	1/2	12.55
PB12-450-062-SC	4-1/4	4-1/2	5/8	14.01
PB12-450-075-SC	4-1/4	4-1/2	3/4	13.67
PB12-450-100-SC	4-1/4	4-1/2	1	18.80
PB12-450-150-SC	4-1/4	4-1/2	1-1/2	40.27

Part Number	A Nom. ID	B Nom. OD	C Nom. Ht	List Price
PB12-475-025-SC	4-1/2	4-3/4	1/4	40.10
PB12-475-050-SC	4-1/2	4-3/4	1/2	12.55
PB12-475-062-SC	4-1/2	4-3/4	5/8	13.75
PB12-475-075-SC	4-1/2	4-3/4	3/4	14.01
PB12-475-100-SC	4-1/2	4-3/4	1	18.93
PB12-475-150-SC	4-1/2	4-3/4	1-1/2	31.34
PB12-500-037-SC	4-3/4	5	3/8	16.04
PB12-500-050-SC	4-3/4	5	1/2	12.55
PB12-500-062-SC	4-3/4	5	5/8	14.01
PB12-500-075-SC	4-3/4	5	3/4	14.01
PB12-500-100-SC	4-3/4	5	1	18.93
PB12-525-050-SC	5	5-1/4	1/2	12.55
PB12-525-062-SC	5	5-1/4	5/8	25.13
PB12-525-075-SC	5	5-1/4	3/4	14.32
PB12-525-100-SC	5	5-1/4	1	20.39
PB12-550-037-SC	5-1/4	5-1/2	3/8	20.71
PB12-550-050-SC	5-1/4	5-1/2	1/2	12.55
PB12-550-062-SC	5-1/4	5-1/2	5/8	14.90
PB12-550-075-SC	5-1/4	5-1/2	3/4	14.32
PB12-550-100-SC	5-1/4	5-1/2	1	19.16
PB12-550-125-SC	5-1/4	5-1/2	1-1/4	27.48
PB12-575-037-BC	5-1/2	5-3/4	3/8	50.05
PB12-575-050-SC	5-1/2	5-3/4	1/2	21.00
PB12-575-062-SC	5-1/2	5-3/4	5/8	22.36
PB12-575-075-SC	5-1/2	5-3/4	3/4	23.12
PB12-575-100-SC	5-1/2	5-3/4	1	29.86
PB12-600-037-SC	5-3/4	6	3/8	18.15
PB12-600-050-SC	5-3/4	6	1/2	14.37
PB12-600-062-SC	5-3/4	6	5/8	15.34
PB12-600-075-SC	5-3/4	6	3/4	14.90
PB12-600-100-SC	5-3/4	6	1	19.44
PB12-600-125-SC	5-3/4	6	1-1/4	28.97
PB12-600-150-SC	5-3/4	6	1-1/2	29.86
PB12-625-050-SC	6	6-1/4	1/2	22.19
PB12-625-062-SC	6	6-1/4	5/8	23.12
PB12-625-075-SC	6	6-1/4	3/4	24.60
PB12-625-100-SC	6	6-1/4	1	19.74
PB12-625-150-SC	6	6-1/4	1-1/2	31.34
PB12-650-050-SC	6-1/4	6-1/2	1/2	16.50
PB12-650-062-SC	6-1/4	6-1/2	5/8	16.50
PB12-650-075-SC	6-1/4	6-1/2	3/4	20.69
PB12-650-100-SC	6-1/4	6-1/2	1	21.00
PB12-650-150-SC	6-1/4	6-1/2	1-1/2	32.70
PB12-675-100-SC	6-1/2	6-3/4	1	33.91
PB12-700-050-SC	6-3/4	7	1/2	16.50
PB12-700-062-SC	6-3/4	7	5/8	16.50
PB12-700-075-SC	6-3/4	7	3/4	18.93
PB12-700-100-SC	6-3/4	7	1	28.18
PB12-700-150-SC	6-3/4	7	1-1/2	47.73
PB12-725-100-SC	7	7-1/4	1	43.10
PB12-750-050-SC	7-1/4	7-1/2	1/2	16.50
PB12-750-062-SC	7-1/4	7-1/2	5/8	19.27
PB12-750-075-SC	7-1/4	7-1/2	3/4	19.27
PB12-750-100-SC	7-1/4	7-1/2	1	43.43
PB12-800-050-SC	7-3/4	8	1/2	17.90
PB12-800-062-SC	7-3/4	8	5/8	36.90
PB12-800-075-SC	7-3/4	8	3/4	25.36
PB12-800-100-SC	7-3/4	8	1	43.43

Seal color may vary. Special order sizes are available. Please call your regional sales team for assistance.

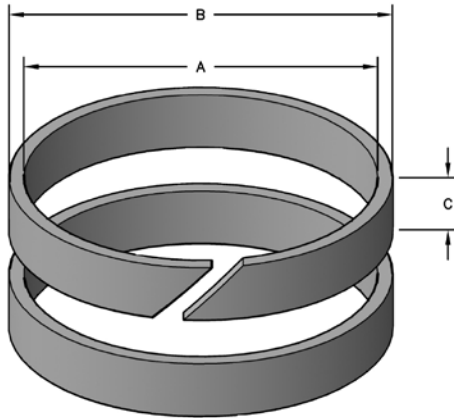
STYLE PB HERCULES® POWERBANDS™ 1/8" THICK

WEAR RINGS

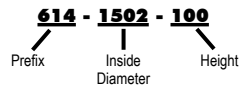
Part Number	A Nom. ID	B Nom. OD	C Nom. Ht	List Price
PB12-825-100-SC	8	8-1/4	1	55.21
PB12-850-050-SC	8-1/4	8-1/2	1/2	44.43
PB12-850-100-SC	8-1/4	8-1/2	1	58.09
PB12-875-100-SC	8-1/2	8-3/4	1	60.64
PB12-900-075-SC	8-3/4	9	3/4	59.12
PB12-900-100-SC	8-3/4	9	1	59.41
PB12-925-100-SC	9	9-1/4	1	93.92
PB12-1000-050-SC	9-3/4	10	1/2	101.43
PB12-1000-075-SC	9-3/4	10	3/4	104.47
PB12-1000-100-SC	9-3/4	10	1	126.48
PB12-1050-100-SC	10-1/4	10-1/2	1	131.43
PB12-1100-100-SC	10-3/4	11	1	144.34
PB12-1200-100-SC	11-3/4	12	1	164.72

STYLE 614 NYLON ROD BEARINGS

Style 614 rod bearings are available in nylon material. These products are used extensively in hydraulic cylinders due to their low rate of wear and non-scoring properties. Excellent for those heavy duty applications that require a sturdy bearing.



HERCULES PART NUMBERS



SEAL INFORMATION

TEMPERATURE RANGE	-40° TO +275° F
TENSILE STRENGTH	25,000 PSI
COMPRESSIVE STRENGTH	26,000 PSI

WEAR RINGS

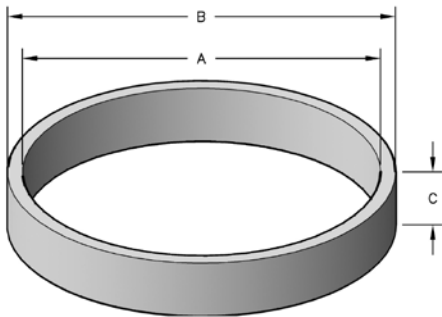
Part Number	A Nom. ID	B Nom. OD	C Nom. Ht	Nom. Cross Section	List Price
614-4004-150	4	4-1/2	1-1/2	1/4	\$58.61
614-1253-100	1-1/4	1-1/2	1	1/8	20.96
614-1502-100	1-1/2	1-5/8	.975	1/16	9.36
614-1254-084	1-1/4	1-3/4	27/32	1/4	22.05
614-1254-100	1-1/4	1-3/4	1	1/4	26.76
614-1503-100	1-1/2	1-3/4	1	1/8	9.57
614-1255-150	1-1/4	1-7/8	1-1/2	5/16	33.52
614-1752-100	1-3/4	1-7/8	.975	1/16	9.60
614-1504-058	1-1/2	2	.58	1/4	27.16
614-1504-075	1-1/2	2	3/4	1/4	26.55
614-1753-100	1-3/4	2	1	1/8	10.12
614-1505-150	1-1/2	2-1/8	1-1/2	5/16	51.22
614-1754-040	1-3/4	2-1/4	7/16	1/4	10.62
614-1754-058	1-3/4	2-1/4	.58	1/4	10.90
614-1754-075	1-3/4	2-1/4	3/4	1/4	14.79
614-1754-087	1-3/4	2-1/4	7/8	1/4	55.54
614-2003-099	2	2-1/4	1	1/8	10.44
614-2252-150	2-1/4	2-3/8	1.475	1/16	20.00
614-2004-050	2	2-1/2	1/2	1/4	16.29
614-2004-058	2	2-1/2	.58	1/4	12.06
614-2004-070	2	2-1/2	.7	1/4	104.06
614-2004-075	2	2-1/2	3/4	1/4	16.08
614-2004-100	2	2-1/2	1	1/4	25.96
614-2253-125	2-1/4	2-1/2	1-1/4	1/8	13.25
614-2253-155	2-1/4	2-1/2	1-35/64	1/8	15.81
614-2253-225	2-1/4	2-1/2	2-1/4	1/8	18.84
614-2502-150	2-1/2	2-5/8	1.475	1/16	17.81
614-2254-058	2-1/4	2-3/4	.58	1/4	19.84
614-2254-075	2-1/4	2-3/4	3/4	1/4	19.84
614-2503-125	2-1/2	2-3/4	1-1/4	1/8	12.64
614-2503-155	2-1/2	2-3/4	1-35/64	1/8	17.65
614-2504-025	2-1/2	3	1/4	1/4	13.74
614-2504-040	2-1/2	3	13/32	1/4	26.11
614-2504-058	2-1/2	3	.58	1/4	11.08
614-2504-075	2-1/2	3	3/4	1/4	16.76
614-2504-100	2-1/2	3	1	1/4	53.30
614-2753-155	2-3/4	3	1-35/64	1/8	29.39

Part Number	A Nom. ID	B Nom. OD	C Nom. Ht	Nom. Cross Section	List Price
614-3002-150	3	3.12	1.475	.06	22.49
614-2754-100	2-3/4	3-1/4	1	1/4	31.81
614-2755-100	2-3/4	3-3/8	1	5/16	28.37
614-3004-046	3	3-1/2	15/32	1/4	20.35
614-3004-050	3	3-1/2	1/2	1/4	23.69
614-3004-075	3	3-1/2	3/4	1/4	21.70
614-3004-100	3	3-1/2	1	1/4	26.57
614-3004-150	3	3-1/2	1-1/2	1/4	34.44
614-3123-075	3-1/8	3-1/2	3/4	3/16	28.03
614-3123-084	3-1/8	3-1/2	.845	3/16	26.34
614-3253-155	3-1/4	3-1/2	1-35/64	1/8	36.41
614-3253-037	3-1/4	3-5/8	3/8	3/16	27.44
614-3253-100	3-1/4	3-5/8	1	3/16	66.20
614-3504-025	3-1/2	4	1/4	1/4	9.95
614-3504-046	3-1/2	4	15/32	1/4	11.52
614-3504-100	3-1/2	4	1	1/4	80.86
614-3754-075	3-3/4	4-1/4	3/4	1/4	84.69
614-3754-100	3-3/4	4-1/4	1	1/4	35.02
614-3755-100	3-3/4	4-3/8	1	5/16	28.41
614-4004-025	4	4-1/2	1/4	1/4	10.12
614-4004-037	4	4-1/2	3/8	1/4	47.54
614-4004-075	4	4-1/2	3/4	1/4	21.49
614-4004-084	4	4-1/2	.845	1/4	30.93
614-4004-093	4	4-1/2	15/16	1/4	47.31
614-4004-100	4	4-1/2	1	1/4	28.59
614-4005-100	4	4-5/8	1	5/16	79.46
614-4504-025	4-1/2	5	1/4	1/4	14.06
614-4754-100	4-3/4	5-1/4	1	1/4	36.55
614-4754-200	4-3/4	5-1/4	2	1/4	73.41
614-4755-100	4-3/4	5-3/8	1	5/16	43.56
614-5004-075	5	5-1/2	3/4	1/4	22.64
614-5004-084	5	5-1/2	.845	1/4	39.74
614-5004-093	5	5-1/2	15/16	1/4	48.89
614-5004-100	5	5-1/2	1	1/4	35.33
614-5755-100	5-3/4	6-3/8	1	5/16	50.11
614-6004-037	6	6-1/2	3/8	1/4	18.68
614-6004-075	6	6-1/2	3/4	1/4	26.76

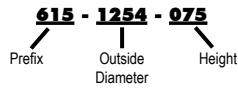
STYLE 614 NYLON ROD BEARINGS

Part Number	A Nom. ID	B Nom. OD	C Nom. Ht	Nom. Cross Section	List Price
614-6004-084	6	6-1/2	.845	1/4	35.94
614-6004-093	6	6-1/2	15/16	1/4	51.39
614-6004-100	6	6-1/2	1	1/4	37.29
614-7004-075	7	7-1/2	3/4	1/4	29.42
614-8004-075	8	8-1/2	3/4	1/4	35.64
614-8256-075	8-1/4	9	3/4	3/8	67.53
614-9006-075	9	9-3/4	3/4	3/8	124.72
614-9375-100	9-3/8	10	1	5/16	172.36

STYLE 615 PHENOLIC BEARINGS



HERCULES PART NUMBERS



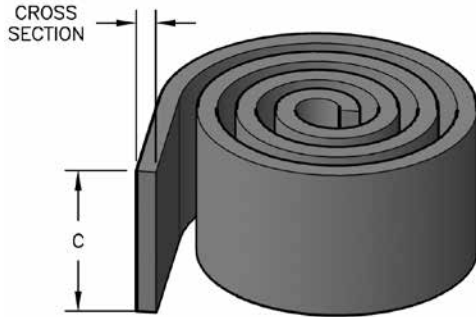
SEAL INFORMATION

TEMPERATURE RANGE	-40° TO +250° F
TENSILE STRENGTH	10,600 PSI
COMPRESSIVE STRENGTH	16,000 PSI
SPEED	3 FT/SEC

Part Number	A Nom. ID	B Nom. OD	C Nom. Ht	List Price
615-1254-075	1-1/4	1-3/4	3/4	\$22.81
615-2253-100	2-1/4	2-1/2	1	18.19
615-2504-150	2-1/2	2-3/4	1-1/2	33.38
615-2753-138	2-3/4	3	1.385	54.06
615-3753-175	3-3/4	4	1.74	100.38
617-925-175-SC	9	9-1/4	1.735	87.01
615-10533-700	10.28	10.53	7	127.46
615-11753-699	11-1/2	11-3/4	7	311.17

FLEXIBLE GUIDE BEARINGS - FILLED PTFE

Flexible Guide Bearings are strips of filled PTFE. Sold in lengths of 2, 4, 8, and 25 feet, this material can be used to fit any rod or bore size without losing its concentricity. The filler material is shown below. **NOTE:** Glass filled material has a thickness tolerance of $\pm .010$ ". Bronze filled tolerance is $\pm .0025$ ".



HERCULES PART NUMBERS

606T - 025
 Prefix Height

*Strips sold in lengths of 2, 4, 8, and 25 feet.

SEAL INFORMATION

MATERIAL	GLASS FILLED 60% BRONZE FILLED PTFE
TEMPERATURE RANGE	-50° TO +400° F
TENSILE STRENGTH	2,100 PSI
COMPRESSIVE STRENGTH	1,500 PSI
SPEED	12 FT/SEC

B= BRONZE FILLED PTFE

WEAR RINGS

Part Number	C Nom. Ht	Nom. Cross Section	LENGTH	List Price
606T-015B-2	5/32	1/16	2	\$57.96
606T-015B-4	5/32	1/16	4	105.38
606T-015B-8	5/32	1/16	8	193.19
606T-015B-25	5/32	1/16	25	335.40
606T-025B-2	1/4	1/16	2	16.17
606T-025B-4	1/4	1/16	4	29.41
606T-025B-8	1/4	1/16	8	53.91
606T-025B-25	1/4	1/16	25	93.60
612T-025-2	1/4	1/8	2	39.09
612T-025B-2	1/4	1/8	2	43.74
612T-025-4	1/4	1/8	4	71.06
612T-025B-4	1/4	1/8	4	79.52
612T-025-8	1/4	1/8	8	130.29
612T-025B-8	1/4	1/8	8	145.79
612T-025-25	1/4	1/8	25	226.20
606T-037B-2	3/8	1/16	2	23.32
606T-037B-4	3/8	1/16	4	42.40
606T-037B-8	3/8	1/16	8	77.73
606T-037B-25	3/8	1/16	25	134.94
609T-037B-2	3/8	3/32	2	63.21
609T-037B-4	3/8	3/32	4	114.94
609T-037B-8	3/8	3/32	8	210.71
612T-037B-2	3/8	1/8	2	45.38
612T-037B-4	3/8	1/8	4	82.50
612T-037B-8	3/8	1/8	8	151.26
606T-050B-2	1/2	1/16	2	24.94
606T-050B-4	1/2	1/16	4	45.33
606T-050B-8	1/2	1/16	8	83.12
606T-050B-25	1/2	1/16	25	144.30
609T-050B-2	1/2	3/32	2	53.60
609T-050B-4	1/2	3/32	4	97.45
609T-050B-8	1/2	3/32	8	178.67
609T-050B-25	1/2	3/32	25	310.18
612T-050-2	1/2	1/8	2	32.57
612T-050B-2	1/2	1/8	2	58.16
612T-050-4	1/2	1/8	4	59.23

Part Number	C Nom. Ht	Nom. Cross Section	LENGTH	List Price
612T-050B-4	1/2	1/8	4	105.75
612T-050-8	1/2	1/8	8	108.58
612T-050B-8	1/2	1/8	8	193.86
612T-050-25	1/2	1/8	25	188.50
606T-062B-2	5/8	1/16	2	16.58
606T-062B-4	5/8	1/16	4	30.15
606T-062B-8	5/8	1/16	8	55.26
606T-062B-25	5/8	1/16	25	236.89
612T-062-2	5/8	1/8	2	45.15
612T-062B-2	5/8	1/8	2	69.46
612T-062-4	5/8	1/8	4	82.09
612T-062B-4	5/8	1/8	4	126.29
612T-062-8	5/8	1/8	8	150.51
612T-062B-8	5/8	1/8	8	231.53
612T-062-25	5/8	1/8	25	261.30
612T-062B-25	5/8	1/8	25	401.96
606T-075B-2	3/4	1/16	2	35.09
606T-075B-4	3/4	1/16	4	63.80
606T-075B-8	3/4	1/16	8	116.96
606T-075B-25	3/4	1/16	25	203.06
609T-075B-2	3/4	3/32	2	56.61
609T-075B-4	3/4	3/32	4	102.93
609T-075B-8	3/4	3/32	8	188.70
609T-075B-25	3/4	3/32	25	327.60
612T-075-2	3/4	1/8	2	46.73
612T-075B-2	3/4	1/8	2	80.53
612T-075-4	3/4	1/8	4	84.96
612T-075B-4	3/4	1/8	4	146.42
612T-075-8	3/4	1/8	8	155.75
612T-075B-8	3/4	1/8	8	268.44
612T-075-25	3/4	1/8	25	270.40
612T-075B-25	3/4	1/8	25	466.06
606T-100B-2	1	1/16	2	48.79
606T-100B-4	1	1/16	4	88.71
606T-100B-8	1	1/16	8	162.64
606T-100B-25	1	1/16	25	282.36

FLEXIBLE GUIDE BEARINGS - FILLED PTFE

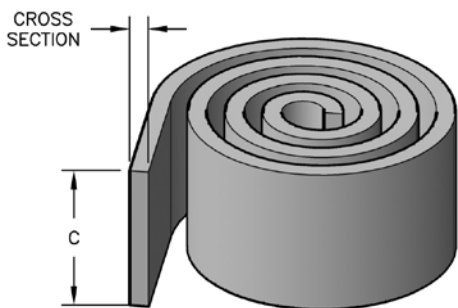


WEAR RINGS

Part Number	C Nom. Ht	Nom. Cross Section	LENGTH	List Price
609T-100B-2	1	3/32	2	71.66
609T-100B-4	1	3/32	4	130.29
609T-100B-8	1	3/32	8	238.87
609T-100B-25	1	3/32	25	414.70
612T-100-2	1	1/8	2	64.47
612T-100B-2	1	1/8	2	100.95
612T-100-4	1	1/8	4	117.22
612T-100B-4	1	1/8	4	183.55
612T-100-8	1	1/8	8	214.90
612T-100B-8	1	1/8	8	336.51
612T-112-2	1-1/8	1/8	2	143.10
612T-112-4	1-1/8	1/8	4	260.18
612T-112-8	1-1/8	1/8	8	476.99
612T-112-25	1-1/8	1/8	25	828.10
609T-125B-2	1-1/4	3/32	2	119.28
609T-125B-4	1-1/4	3/32	4	216.88
609T-125B-8	1-1/4	3/32	8	397.61
609T-125B-25	1-1/4	3/32	25	690.30
612T-137B-2	1-3/8	1/8	2	182.68
612T-137B-4	1-3/8	1/8	4	332.14
612T-137B-8	1-3/8	1/8	8	608.92
612T-137B-25	1-3/8	1/8	25	1057.16
612T-150-2	1-1/2	1/8	2	92.55
612T-150B-2	1-1/2	1/8	2	230.28
612T-150-4	1-1/2	1/8	4	168.28
612T-150B-4	1-1/2	1/8	4	418.68
612T-150-8	1-1/2	1/8	8	308.51
612T-150B-8	1-1/2	1/8	8	767.59
612T-150-25	1-1/2	1/8	25	535.60
612T-150B-25	1-1/2	1/8	25	1332.64

FLEXIBLE GUIDE BEARINGS - POLYESTER RESIN

Manufactured using woven fabric-reinforced polyester resin, this material produces a dimensionally accurate rectangular strip. Low coefficient of friction and high compressive strength makes it an ideal bearing material. A common radial thickness of 1/8 in. allows the stacking of various widths. Size reference is marked every 6 in. on the strip. Sold in lengths of 2, 4, 8, and 16 feet. Cutting is made easy by using Anvil type pruning shears. Wall tolerance $\pm .002$ in., radial wall thickness = 0.124 to 0.121 in. TQ = Turquoise in color. Standard 612F part numbers are gray in color.



HERCULES PART NUMBERS

612F - 037

Prefix Height

*Strips sold in lengths of 2, 4, 8, and 16 feet.

SEAL INFORMATION

MATERIAL	FABRIC REINFORCED POLYESTER
TEMPERATURE RANGE	-30° TO +265° F
COMPRESSIVE STRENGTH	30,000 PSI
SPEED	3 FT/SEC

Part Number	C Nom. Ht	Nom. Cross Section	LENGTH	List Price
612F-037-2	3/8	1/8	2	\$20.44
612F-037-TQ-2	3/8	1/8	2	21.21
612F-037-4	3/8	1/8	4	37.17
612F-037-TQ-4	3/8	1/8	4	38.55
612F-037-8	3/8	1/8	8	68.14
612F-037-TQ-8	3/8	1/8	8	70.67
612F-037-16	3/8	1/8	16	170.36
612F-037-TQ-16	3/8	1/8	16	176.67
612F-050-2	1/2	1/8	2	23.28
612F-050-TQ-2	1/2	1/8	2	23.59
612F-050-4	1/2	1/8	4	42.32
612F-050-TQ-4	1/2	1/8	4	42.88
612F-050-8	1/2	1/8	8	77.59
612F-050-TQ-8	1/2	1/8	8	78.62
612F-050-16	1/2	1/8	16	193.99
612F-050-TQ-16	1/2	1/8	16	196.56
612F-062-2	5/8	1/8	2	22.91
612F-062-TQ-2	5/8	1/8	2	22.96
612F-062-4	5/8	1/8	4	41.66
612F-062-TQ-4	5/8	1/8	4	41.74
612F-062-8	5/8	1/8	8	76.38
612F-062-TQ-8	5/8	1/8	8	76.52
612F-062-16	5/8	1/8	16	190.94
612F-062-TQ-16	5/8	1/8	16	191.29
612F-075-2	3/4	1/8	2	30.38
612F-075-TQ-2	3/4	1/8	2	26.73
612F-075-4	3/4	1/8	4	55.24
612F-075-TQ-4	3/4	1/8	4	48.60
612F-075-8	3/4	1/8	8	101.27
612F-075-TQ-8	3/4	1/8	8	89.10
612F-075-16	3/4	1/8	16	253.17
612F-075-TQ-16	3/4	1/8	16	222.76
612F-100-2	1	1/8	2	39.44
612F-100-TQ-2	1	1/8	2	33.63
612F-100-4	1	1/8	4	71.71
612F-100-TQ-4	1	1/8	4	61.14
612F-100-8	1	1/8	8	131.45
612F-100-TQ-8	1	1/8	8	112.08

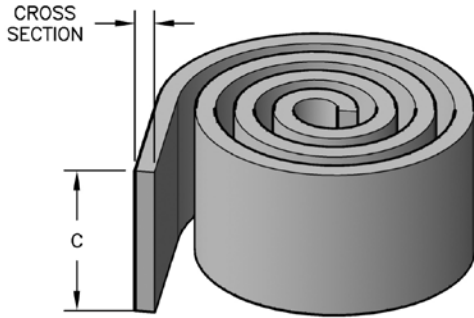
Part Number	C Nom. Ht	Nom. Cross Section	LENGTH	List Price
612F-100-16	1	1/8	16	221.15
612F-100-TQ-16	1	1/8	16	280.22

WEAR RINGS

BOXED FLEXIBLE GUIDE BEARINGS-POLYESTER RESIN



Our 612F style flexible guide bearings, with a 1/8" radial thickness, offered in a boxed quantity. The strip can be cut to any length using anvil type pruning shears. Product length is 32' per box.



HERCULES PART NUMBERS

612F - 050 - 506 - BOX
Prefix Height

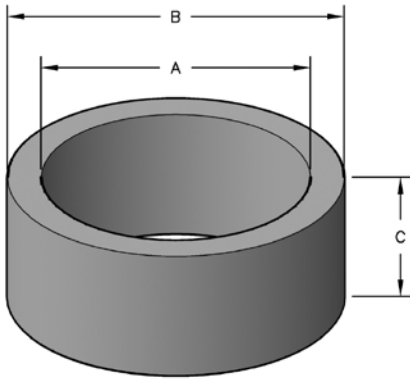
SEAL INFORMATION

TEMPERATURE RANGE	-40° TO +250° F
COMPRESSIVE YIELD	8,000 PSI
SPEED	3 FT/SEC

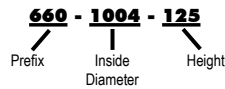
Part Number	C Nom. Ht	Nom. Cross Section	List Price
612F-050-506-BOX	1/2	1/8	\$733.43
612F-100-506-BOX	1	1/8	971.21
612F-037-506-BOX	3/8	1/8	571.19

WEAR RINGS

STYLE 660 BRONZE ROD BEARINGS



HERCULES PART NUMBERS



SEAL INFORMATION

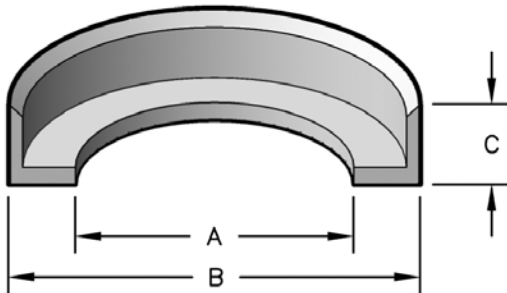
TENSILE STRENGTH	35,000 PSI
YIELD STRENGTH	18,000 PSI

WEAR RINGS

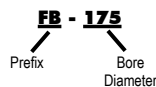
Part Number	A Nom. ID	B Nom. OD	C Nom. Ht	Nom. Cross Section	List Price
660-1004-125	1	1-1/4	1-1/4	1/8	\$87.64
660-1008-125	1	1-1/2	1-1/4	1/4	85.75
660-1754-100	1-3/4	2-1/4	1	1/4	167.88
660-4001-200-SC	4	4.2	2	.1	276.81

STYLE FB FOLLOWER BEARINGS

These parts are used as companion pieces for Cascade vee sets, primarily as bearings.



HERCULES PART NUMBERS



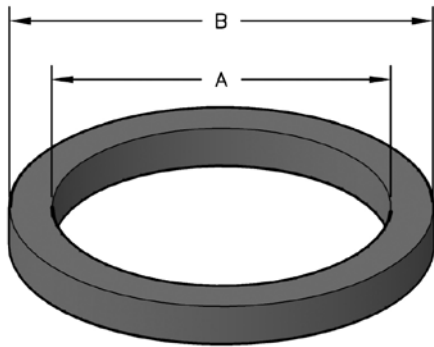
SEAL INFORMATION

MATERIAL	60D POLYESTER
TEMPERATURE RANGE	-65° TO +220° F
SPEED	3 FT/SEC

Part Number	A Nom. ID	B Nom. OD	J BORE DIAMETER	C HEIGHT	List Price
FB-175	1-1/4	1-3/4	1.750	.290	\$6.55
FB-200	1-1/2	2	2.000	.370	12.26
FB-225	1-3/4	2-1/4	2.250	.350	8.14
FB-250	2	2-1/2	2.500	.370	8.40
FB-300	2-1/2	3	3.000	.430	29.64
FB-325	2-3/4	3-1/4	3.250	.430	11.03
FB-350	3	3-1/2	3.500	.437	11.61
FB-400	3-1/4	4	4.000	.615	20.38
FB-425	3-1/2	4-1/4	4.250	.625	22.91
FB-475	4	4-3/4	4.750	.625	31.33
FB-650	6	6-1/2	6.500	.440	31.49

STYLE MB MODULAR BACK-UPS

These back-up rings, made from urethane or nylon, are commonly used as spacers for u-seals.



HERCULES PART NUMBERS

MB12 - 0.75 - 12 - S
 Prefix Inside Diameter Height

SEAL INFORMATION

MATERIAL	URETHANE, 70 SHORE D
TEMPERATURE RANGE	-40° TO +250° F
SPEED	3 FT/SEC

N = Nylon
 S = Split
 P = Hard Hytrel

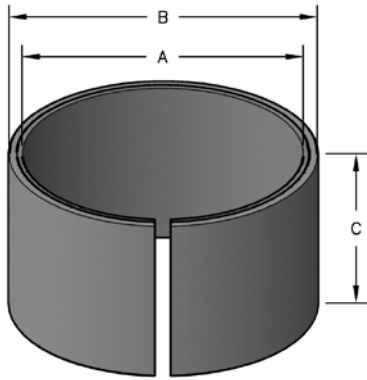
Part Number	A Nom. ID	B Nom. OD	C Nom. Ht	List Price
MB12-0.75-12-S	3/4	1	1/8	\$55.09
MB25-1.25-25	1-1/4	1-3/4	1/4	14.34
MB25-1.37-25	1-3/8	1-7/8	1/4	15.69
MB25-1.50-25	1-1/2	2	1/4	14.03
MB25-1.75-25	1-3/4	2-1/4	1/4	17.26
MB31-1.75-31	1-3/4	2-3/8	5/16	16.12
MB37-1.75-50	1-3/4	2-1/2	1/2	30.48
MB37-1.75-50N	1-3/4	2-1/2	1/2	12.97
MB37-1.75-56	1-3/4	2-1/2	9/16	30.48
MB31-1.87-31	1-7/8	2-1/2	5/16	19.25
MB18-2.00-18	2	2-3/8	3/16	14.34
MB25-2.00-25	2	2-1/2	1/4	18.70
MB31-2.00-31	2	2-5/8	5/16	18.02
MB37-2.00-25P	2	2-3/4	1/4	33.15
MB37-2.00-37	2	2-3/4	3/8	31.54
MB31-2.12-31	2-1/8	2-3/4	5/16	18.95
MB31-2.12-37	2-1/8	2-3/4	3/8	24.87
MB25-2.25-25	2-1/4	2-3/4	1/4	20.84
MB31-2.25-31	2-1/4	2-7/8	5/16	19.82
MB31-2.37-31	2-3/8	3	5/16	25.74
MB25-2.50-25	2-1/2	3	1/4	22.83
MB31-2.50-31	2-1/2	3-1/8	5/16	28.40
MB37-2.50-25P	2-1/2	3-1/4	1/4	48.68
MB37-2.62-50	2-5/8	3-3/8	1/2	44.01
MB37-2.62-50N	2-5/8	3-3/8	1/2	25.79
MB37-2.62-57	2-5/8	3-3/8	.575	44.01
MB37-2.75-25	2-3/4	3-1/2	1/4	32.44
MB25-3.00-25	3	3-1/2	1/4	23.14
MB37-3.00-37	3	3-3/4	3/8	37.82
MB50-3.00-50	3	4	1/2	68.07
MB37-3.12-37	3-1/8	3-7/8	3/8	44.01
MB25-3.25-25	3-1/4	3-3/4	1/4	24.46
MB25-3.50-25	3-1/2	4	1/4	24.46
MB37-3.50-25	3-1/2	4-1/4	1/4	46.73
MB37-3.50-37	3-1/2	4-1/4	3/8	54.19
MB37-3.50-44P	3-1/2	4-1/4	7/16	101.24
MB37-3.62-50N	3-5/8	4-3/8	1/2	26.76
MB37-3.62-56	3-5/8	4-3/8	9/16	58.42
MB43-3.87-25	3-7/8	4-3/4	1/4	24.77

Part Number	A Nom. ID	B Nom. OD	C Nom. Ht	List Price
MB25-4.00-25	4	4-1/2	1/4	32.60
MB25-4.00-43	4	4-1/2	7/16	33.37
MB37-4.00-37	4	4-3/4	3/8	64.51
MB37-4.25-37	4-1/4	5	3/8	65.88
MB25-4.50-25	4-1/2	5	1/4	37.49
MB31-4.50-31	4-1/2	5-1/8	5/16	43.35
MB37-4.50-28N	4-1/2	5-1/4	.285	30.60
MB37-4.50-50	4-1/2	5-1/4	1/2	70.18
MB37-4.50-50N	4-1/2	5-1/4	1/2	48.05
MB43-4.50-62	4-1/2	5-3/8	5/8	65.49
MB37-4.75-37	4-3/4	5-1/2	3/8	75.43
MB37-4.75-37N	4-3/4	5-1/2	3/8	65.22
MB43-4.75-31	4-3/4	5-5/8	5/16	51.64
MB25-5.00-25	5	5-1/2	1/4	37.96
MB37-5.00-37	5	5-3/4	3/8	78.94
MB37-5.25-12	5-1/4	6	1/8	76.36
MB37-5.50-37	5-1/2	6-1/4	3/8	84.22
MB37-5.50-43NS	5-1/2	6-1/4	7/16	41.07
MB25-6.00-25	6	6-1/2	1/4	53.55
MB37-6.00-43NS	6	6-3/4	7/16	51.13
MB37-6.00-56	6	6-3/4	9/16	89.90
MB25-6.50-25	6-1/2	7	1/4	11.34
MB37-7.00-37	7	7-3/4	3/8	96.80

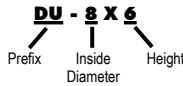
WEAR RINGS

STYLE DU ROD BUSHINGS

With a steel body, bronze liner, and PTFE / lead overlay, these bushings possess excellent wearability and tremendous compressive strength.



HERCULES PART NUMBERS



SEAL INFORMATION

MATERIAL	BRONZE LINING PTFE/LEAD OVER-LAY STEEL BACKING
TEMPERATURE RANGE	-325° TO +536° F
SPEED	12 FT/SEC
COMPRESSIVE STRENGTH	44,000 PSI

WEAR RINGS

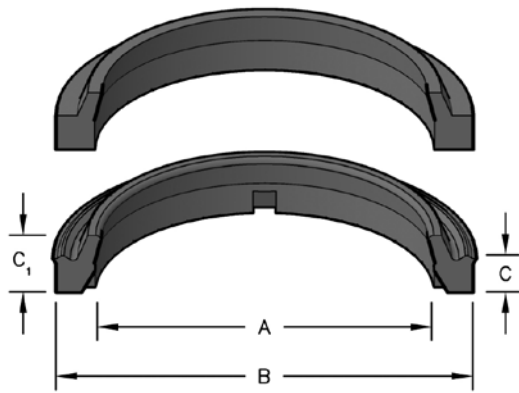
Part Number	A Nom. ID	B Nom. OD	C Nom. Ht	Nom. Cross Section	List Price
DU-8-6	1/2	19/32	3/8	3/64	\$2.25
DU-8-8	1/2	19/32	1/2	3/64	2.25
DU-8-10	1/2	19/32	5/8	3/64	2.25
DU-9-12	9/16	21/32	3/4	3/64	2.25
DU-10-10	5/8	23/32	5/8	3/64	3.59
DU-10-14	5/8	23/32	7/8	3/64	9.71
DU-11-14	11/16	25/32	7/8	3/64	9.71
DU-12-12	3/4	7/8	3/4	1/16	10.02
DU-12-16	3/4	7/8	1	1/16	2.79
DU-16-12	1	1-1/8	3/4	1/16	3.05
DU-16-16	1	1-1/8	1	1/16	3.42
DU-16-24	1	1-1/8	1-1/2	1/16	4.92
DU-18-16A	1-1/8	1-9/32	1	5/64	5.97
DU-20-12A	1-1/4	1-13/32	3/4	5/64	5.08
DU-20-18	1-1/4	1-13/32	1-1/8	5/64	7.24
DU-20-28	1-1/4	1-13/32	1-3/4	5/64	6.49
DU-22-16	1-3/8	1-17/32	1	5/64	4.18
DU-22-28A	1-3/8	1-17/32	1-3/4	5/64	7.05
DU-24-12	1-1/2	1-21/32	3/4	5/64	3.42
DU-24-16	1-1/2	1-21/32	1	5/64	4.71
DU-24-20	1-1/2	1-21/32	1-1/4	5/64	5.61
DU-26-24	1-5/8	1-25/32	1-1/2	5/64	7.08
DU-28-16	1-3/4	1-15/16	1	3/32	5.62
DU-28-28	1-3/4	1-15/16	1-3/4	3/32	9.32
DU-30-16	1-7/8	2-1/16	1	3/32	12.34
DU-32-12	2	2-3/16	3/4	3/32	4.82
DU-32-20	2	2-3/16	1-1/4	3/32	7.87
DU-32-32	2	2-3/16	2	3/32	12.22
DU-36-24	2-1/4	2-7/16	1-1/2	3/32	10.37
DU-36-32	2-1/4	2-7/16	2	3/32	13.66
DU-36-40	2-1/4	2-7/16	2-1/2	3/32	16.91
DU-40-32	2-1/2	2-11/16	2	3/32	15.12
DU-40-40	2-1/2	2-11/16	2-1/2	3/32	18.66
DU-40-56	2-1/2	2-11/16	3-1/2	3/32	25.74
DU-44-40	2-3/4	2-15/16	2-1/2	3/32	20.39
DU-44-56	2-3/4	2-15/16	3-1/2	3/32	28.14
DU-48-16	3	3-3/16	1	3/32	9.11
DU-48-48	3	3-3/16	3	3/32	26.47
DU-48-60	3	3-3/16	3-3/4	3/32	33.40
DU-56-60	3-1/2	3-11/16	3-3/4	3/32	39.51

Part Number	A Nom. ID	B Nom. OD	C Nom. Ht	Nom. Cross Section	List Price
DU-64-80	4	4-3/16	5	3/32	61.38
DU-80-60	5	5-3/16	3-3/4	3/32	56.47

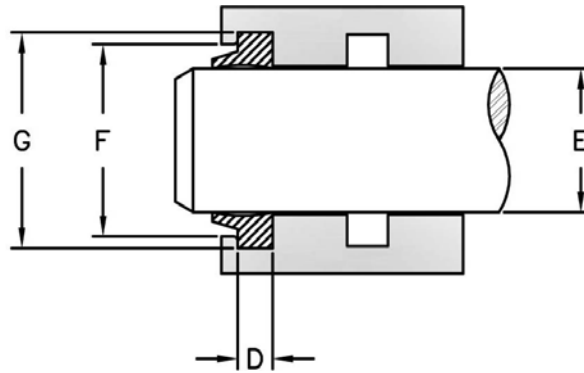
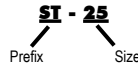
STYLE ST URETHANE WIPER RINGS



Style ST wiper rings are precision molded from 90A durometer urethane. Flexible enough to easily snap into a groove yet tough enough to handle difficult rod wiping applications. "V" tagged wipers are constructed of fluorocarbon.



HERCULES PART NUMBERS



SEAL INFORMATION	
MATERIAL	URETHANE / FLUOROCARBON
TEMPERATURE RANGE	URETHANE: -40° TO +200° F FLUOROCARBON: -20° TO +400° F
SPEED	3 FT/SEC

WIPER RINGS

Part Number	A Nom. ID	B Nom. OD	C Nom. Ht	C ₁ OVERALL HEIGHT	D GROOVE WIDTH	E ROD DIAMETER	F THROAT DIAMETER	G HOUSING DIAMETER	List Price
ST-25	1/4	1/2	1/8	.210	.124 ^{+0.004} / _{+0.000}	.250 ^{-0.0005} / _{-0.0019}	.410 ^{+0.010} / _{+0.000}	.497 ^{+0.006} / _{+0.000}	\$4.14
ST-31	5/16	9/16	1/8	.210	.124 ^{+0.004} / _{+0.000}	.313 ^{-0.0005} / _{-0.0019}	.475 ^{+0.010} / _{+0.000}	.560 ^{+0.006} / _{+0.000}	4.94
ST-37	3/8	5/8	1/8	.210	.124 ^{+0.004} / _{+0.000}	.375 ^{-0.0005} / _{-0.0019}	.535 ^{+0.010} / _{+0.000}	.622 ^{+0.006} / _{+0.000}	4.14
ST-43	7/16	11/16	1/8	.210	.124 ^{+0.004} / _{+0.000}	.438 ^{-0.0006} / _{-0.0023}	.600 ^{+0.010} / _{+0.000}	.685 ^{+0.006} / _{+0.000}	4.08
ST-50	1/2	3/4	1/8	.210	.124 ^{+0.004} / _{+0.000}	.500 ^{-0.0006} / _{-0.0023}	.660 ^{+0.010} / _{+0.000}	.747 ^{+0.006} / _{+0.000}	4.68
ST-56	9/16	13/16	1/8	.210	.124 ^{+0.004} / _{+0.000}	.563 ^{-0.0006} / _{-0.0023}	.725 ^{+0.010} / _{+0.000}	.810 ^{+0.006} / _{+0.000}	4.68
ST-62	5/8	7/8	1/8	.210	.124 ^{+0.004} / _{+0.000}	.625 ^{-0.0006} / _{-0.0023}	.785 ^{+0.010} / _{+0.000}	.872 ^{+0.006} / _{+0.000}	4.68
ST-62V	5/8	7/8	1/8	.210	.124 ^{+0.004} / _{+0.000}	.625 ^{-0.0006} / _{-0.0023}	.785 ^{+0.010} / _{+0.000}	.872 ^{+0.006} / _{+0.000}	16.79
ST-75	3/4	1-1/8	3/16	.305	.187 ^{+0.004} / _{+0.000}	.750 ^{-0.0008} / _{-0.0028}	.995 ^{+0.010} / _{+0.000}	1.122 ^{+0.006} / _{+0.000}	4.68
ST-81	13/16	1-3/16	3/16	.305	.187 ^{+0.004} / _{+0.000}	.813 ^{-0.0008} / _{-0.0028}	1.060 ^{+0.010} / _{+0.000}	1.185 ^{+0.006} / _{+0.000}	4.68
ST-87	7/8	1-1/4	3/16	.305	.187 ^{+0.004} / _{+0.000}	.875 ^{-0.0008} / _{-0.0028}	1.120 ^{+0.010} / _{+0.000}	1.247 ^{+0.006} / _{+0.000}	4.68
ST-93	15/16	1-5/16	3/16	.305	.187 ^{+0.004} / _{+0.000}	.938 ^{-0.0008} / _{-0.0028}	1.185 ^{+0.010} / _{+0.000}	1.310 ^{+0.006} / _{+0.000}	4.25
ST-100	1	1-3/8	3/16	.305	.187 ^{+0.004} / _{+0.000}	1.000 ^{-0.0008} / _{-0.0028}	1.245 ^{+0.010} / _{+0.000}	1.372 ^{+0.006} / _{+0.000}	4.68
ST-100V	1	1-3/8	3/16	.305	.187 ^{+0.004} / _{+0.000}	1.000 ^{-0.0008} / _{-0.0028}	1.245 ^{+0.010} / _{+0.000}	1.372 ^{+0.006} / _{+0.000}	19.58



STYLE ST URETHANE WIPER RINGS

WIPER RINGS

Part Number	A Nom. ID	B Nom. OD	C Nom. Ht	C ₁ OVERALL HEIGHT	D GROOVE WIDTH	E ROD DIAMETER	F THROAT DIAMETER	G HOUSING DIAMETER	List Price
ST-112	1-1/8	1-1/2	3/16	.305	.187 ^{+0.004} / _{+0.000}	1.125 ^{-0.0008} / _{-0.0028}	1.370 ^{+0.010} / _{+0.000}	1.497 ^{+0.006} / _{+0.000}	4.68
ST-112V	1-1/8	1-1/2	3/16	.305	.187 ^{+0.004} / _{+0.000}	1.125 ^{-0.0008} / _{-0.0028}	1.370 ^{+0.010} / _{+0.000}	1.497 ^{+0.006} / _{+0.000}	22.44
ST-118	1-3/16	1-9/16	3/16	.305	.187 ^{+0.004} / _{+0.000}	1.188 ^{-0.0010} / _{-0.0034}	1.435 ^{+0.010} / _{+0.000}	1.560 ^{+0.006} / _{+0.000}	4.75
ST-125	1-1/4	1-5/8	3/16	.305	.187 ^{+0.004} / _{+0.000}	1.250 ^{-0.0010} / _{-0.0034}	1.495 ^{+0.010} / _{+0.000}	1.622 ^{+0.006} / _{+0.000}	5.11
ST-125V	1-1/4	1-5/8	3/16	.305	.187 ^{+0.004} / _{+0.000}	1.250 ^{-0.0010} / _{-0.0034}	1.495 ^{+0.010} / _{+0.000}	1.622 ^{+0.006} / _{+0.000}	25.73
ST-131	1-5/16	1-11/16	3/16	.305	.187 ^{+0.004} / _{+0.000}	1.313 ^{-0.0010} / _{-0.0034}	1.560 ^{+0.010} / _{+0.000}	1.685 ^{+0.006} / _{+0.000}	5.31
ST-137	1-3/8	1-3/4	3/16	.305	.187 ^{+0.004} / _{+0.000}	1.375 ^{-0.0010} / _{-0.0034}	1.620 ^{+0.010} / _{+0.000}	1.747 ^{+0.006} / _{+0.000}	5.43
ST-137V	1-3/8	1-3/4	3/16	.305	.187 ^{+0.004} / _{+0.000}	1.375 ^{-0.0010} / _{-0.0034}	1.620 ^{+0.010} / _{+0.000}	1.747 ^{+0.006} / _{+0.000}	24.15
ST-143	1-7/16	1-13/16	3/16	.305	.187 ^{+0.004} / _{+0.000}	1.438 ^{-0.0010} / _{-0.0034}	1.685 ^{+0.010} / _{+0.000}	1.810 ^{+0.006} / _{+0.000}	18.96
ST-150	1-1/2	1-7/8	3/16	.305	.187 ^{+0.004} / _{+0.000}	1.500 ^{-0.0010} / _{-0.0034}	1.745 ^{+0.010} / _{+0.000}	1.872 ^{+0.006} / _{+0.000}	5.98
ST-150V	1-1/2	1-7/8	3/16	.305	.187 ^{+0.004} / _{+0.000}	1.500 ^{-0.0010} / _{-0.0034}	1.745 ^{+0.010} / _{+0.000}	1.872 ^{+0.006} / _{+0.000}	27.07
ST-156	1-9/16	1-15/16	3/16	.305	.187 ^{+0.004} / _{+0.000}	1.563 ^{-0.0010} / _{-0.0034}	1.810 ^{+0.010} / _{+0.000}	1.935 ^{+0.006} / _{+0.000}	5.99
ST-162	1-5/8	2	3/16	.305	.187 ^{+0.004} / _{+0.000}	1.625 ^{-0.0010} / _{-0.0034}	1.870 ^{+0.010} / _{+0.000}	1.997 ^{+0.006} / _{+0.000}	6.16
ST-175	1-3/4	2-1/8	3/16	.305	.187 ^{+0.004} / _{+0.000}	1.750 ^{-0.0010} / _{-0.0034}	1.995 ^{+0.010} / _{+0.000}	2.122 ^{+0.006} / _{+0.000}	6.69
ST-175V	1-3/4	2-1/8	3/16	.305	.187 ^{+0.004} / _{+0.000}	1.750 ^{-0.0010} / _{-0.0034}	1.995 ^{+0.010} / _{+0.000}	2.122 ^{+0.006} / _{+0.000}	27.29
ST-187	1-7/8	2-1/4	3/16	.305	.187 ^{+0.004} / _{+0.000}	1.875 ^{-0.0010} / _{-0.0034}	2.120 ^{+0.010} / _{+0.000}	2.247 ^{+0.006} / _{+0.000}	6.93
ST-193	1-15/16	2-5/16	3/16	.305	.187 ^{+0.004} / _{+0.000}	1.938 ^{-0.0010} / _{-0.0034}	2.185 ^{+0.010} / _{+0.000}	2.310 ^{+0.006} / _{+0.000}	7.20
ST-200	2	2-1/2	1/4	.395	.249 ^{+0.004} / _{+0.000}	2.000 ^{-0.0012} / _{-0.0041}	2.327 ^{+0.010} / _{+0.000}	2.497 ^{+0.006} / _{+0.000}	7.02
ST-200V	2	2-1/2	1/4	.395	.249 ^{+0.004} / _{+0.000}	2.000 ^{-0.0012} / _{-0.0041}	2.327 ^{+0.010} / _{+0.000}	2.497 ^{+0.006} / _{+0.000}	34.00
ST-212A	2-1/8	2-1/2	3/16	.305	.187 ^{+0.004} / _{+0.000}	2.125 ^{-0.0012} / _{-0.0041}	2.452 ^{+0.010} / _{+0.000}	2.312 ^{+0.005} / _{+0.000}	27.63
ST-212	2-1/8	2-5/8	1/4	.395	.249 ^{+0.004} / _{+0.000}	2.125 ^{-0.0012} / _{-0.0041}	2.452 ^{+0.010} / _{+0.000}	2.622 ^{+0.006} / _{+0.000}	12.26
ST-225	2-1/4	2-3/4	1/4	.395	.249 ^{+0.004} / _{+0.000}	2.250 ^{-0.0012} / _{-0.0041}	2.577 ^{+0.010} / _{+0.000}	2.747 ^{+0.006} / _{+0.000}	7.42
ST-237	2-3/8	2-7/8	1/4	.395	.249 ^{+0.004} / _{+0.000}	2.375 ^{-0.0012} / _{-0.0041}	2.702 ^{+0.010} / _{+0.000}	2.872 ^{+0.006} / _{+0.000}	7.77
ST-250	2-1/2	3	1/4	.395	.249 ^{+0.004} / _{+0.000}	2.500 ^{-0.0012} / _{-0.0041}	2.827 ^{+0.010} / _{+0.000}	2.997 ^{+0.006} / _{+0.000}	8.29
ST-250V	2-1/2	3	1/4	.395	.249 ^{+0.004} / _{+0.000}	2.500 ^{-0.0012} / _{-0.0041}	2.827 ^{+0.010} / _{+0.000}	2.997 ^{+0.006} / _{+0.000}	52.84
ST-262	2-5/8	3-1/8	1/4	.395	.249 ^{+0.004} / _{+0.000}	2.625 ^{-0.0012} / _{-0.0041}	2.952 ^{+0.010} / _{+0.000}	3.122 ^{+0.006} / _{+0.000}	8.29
ST-275	2-3/4	3-1/4	1/4	.395	.249 ^{+0.004} / _{+0.000}	2.750 ^{-0.0012} / _{-0.0041}	3.077 ^{+0.010} / _{+0.000}	3.247 ^{+0.006} / _{+0.000}	8.54
ST-287	2-7/8	3-3/8	1/4	.395	.249 ^{+0.004} / _{+0.000}	2.875 ^{-0.0012} / _{-0.0041}	3.202 ^{+0.010} / _{+0.000}	3.372 ^{+0.006} / _{+0.000}	8.89
ST-300	3	3-1/2	1/4	.395	.249 ^{+0.004} / _{+0.000}	3.000 ^{-0.0012} / _{-0.0041}	3.327 ^{+0.010} / _{+0.000}	3.497 ^{+0.006} / _{+0.000}	8.89
ST-300V	3	3-1/2	1/4	.395	.249 ^{+0.004} / _{+0.000}	3.000 ^{-0.0012} / _{-0.0041}	3.327 ^{+0.010} / _{+0.000}	3.497 ^{+0.006} / _{+0.000}	60.87
ST-312	3-1/8	3-5/8	1/4	.395	.249 ^{+0.004} / _{+0.000}	3.125 ^{-0.0012} / _{-0.0041}	3.452 ^{+0.010} / _{+0.000}	3.622 ^{+0.006} / _{+0.000}	9.87
ST-325	3-1/4	3-3/4	1/4	.395	.249 ^{+0.004} / _{+0.000}	3.250 ^{-0.0014} / _{-0.0048}	3.577 ^{+0.010} / _{+0.000}	3.747 ^{+0.006} / _{+0.000}	14.79
ST-325V	3-1/4	3-3/4	1/4	.395	.249 ^{+0.004} / _{+0.000}	3.250 ^{-0.0014} / _{-0.0048}	3.577 ^{+0.010} / _{+0.000}	3.747 ^{+0.006} / _{+0.000}	56.38

STYLE ST URETHANE WIPER RINGS



WIPER RINGS

Part Number	A Nom. ID	B Nom. OD	C Nom. Ht	C ₁ OVERALL HEIGHT	D GROOVE WIDTH	E ROD DIAMETER	F THROAT DIAMETER	G HOUSING DIAMETER	List Price
ST-337	3-3/8	3-7/8	1/4	.395	.249 ^{+0.004} / _{+0.000}	3.375 ^{-0.0014} / _{-0.0048}	3.702 ^{+0.010} / _{+0.000}	3.872 ^{+0.006} / _{+0.000}	10.16
ST-350	3-1/2	4	1/4	.395	.249 ^{+0.004} / _{+0.000}	3.500 ^{-0.0014} / _{-0.0048}	3.827 ^{+0.010} / _{+0.000}	3.997 ^{+0.006} / _{+0.000}	10.16
ST-350V	3-1/2	4	1/4	.395	.249 ^{+0.004} / _{+0.000}	3.500 ^{-0.0014} / _{-0.0048}	3.827 ^{+0.010} / _{+0.000}	3.997 ^{+0.006} / _{+0.000}	69.85
ST-362	3-5/8	4-1/8	1/4	.395	.249 ^{+0.004} / _{+0.000}	3.625 ^{-0.0014} / _{-0.0048}	3.952 ^{+0.010} / _{+0.000}	4.122 ^{+0.006} / _{+0.000}	11.78
ST-375	3-3/4	4-1/4	1/4	.395	.249 ^{+0.004} / _{+0.000}	3.750 ^{-0.0014} / _{-0.0048}	4.077 ^{+0.010} / _{+0.000}	4.247 ^{+0.006} / _{+0.000}	11.78
ST-387	3-7/8	4-3/8	1/4	.395	.249 ^{+0.004} / _{+0.000}	3.875 ^{-0.0014} / _{-0.0048}	4.202 ^{+0.010} / _{+0.000}	4.372 ^{+0.006} / _{+0.000}	13.22
ST-400	4	4-1/2	1/4	.395	.249 ^{+0.004} / _{+0.000}	4.000 ^{-0.0014} / _{-0.0048}	4.327 ^{+0.010} / _{+0.000}	4.497 ^{+0.006} / _{+0.000}	13.22
ST-412	4-1/8	4-5/8	1/4	.395	.249 ^{+0.004} / _{+0.000}	4.125 ^{-0.0014} / _{-0.0048}	4.452 ^{+0.010} / _{+0.000}	4.622 ^{+0.006} / _{+0.000}	23.43
ST-425	4-1/4	4-3/4	1/4	.395	.249 ^{+0.004} / _{+0.000}	4.250 ^{-0.0014} / _{-0.0048}	4.577 ^{+0.010} / _{+0.000}	4.747 ^{+0.006} / _{+0.000}	13.68
ST-437	4-3/8	4-7/8	1/4	.395	.249 ^{+0.004} / _{+0.000}	4.375 ^{-0.0014} / _{-0.0048}	4.702 ^{+0.010} / _{+0.000}	4.872 ^{+0.006} / _{+0.000}	14.66
ST-451	4-1/2	5	1/4	.395	.249 ^{+0.004} / _{+0.000}	4.500 ^{-0.0014} / _{-0.0048}	4.827 ^{+0.010} / _{+0.000}	4.997 ^{+0.006} / _{+0.000}	14.66
ST-450	4-1/2	5-1/4	3/8	.585	.374 ^{+0.004} / _{+0.000}	4.500 ^{-0.0014} / _{-0.0048}	4.993 ^{+0.010} / _{+0.000}	5.247 ^{+0.006} / _{+0.000}	14.81
ST-475	4-3/4	5-1/2	3/8	.585	.374 ^{+0.004} / _{+0.000}	4.750 ^{-0.0017} / _{-0.0056}	5.243 ^{+0.010} / _{+0.000}	5.497 ^{+0.006} / _{+0.000}	15.68
ST-487	4-7/8	5-5/8	3/8	.585	.374 ^{+0.004} / _{+0.000}	4.875 ^{-0.0017} / _{-0.0056}	5.368 ^{+0.010} / _{+0.000}	5.622 ^{+0.006} / _{+0.000}	18.67
ST-501	5	5-1/2	1/4	.395	.249 ^{+0.004} / _{+0.000}	5.000 ^{-0.0017} / _{-0.0056}	5.327 ^{+0.010} / _{+0.000}	5.497 ^{+0.006} / _{+0.000}	20.08
ST-500	5	5-3/4	3/8	.585	.374 ^{+0.004} / _{+0.000}	5.000 ^{-0.0017} / _{-0.0056}	5.493 ^{+0.010} / _{+0.000}	5.747 ^{+0.006} / _{+0.000}	20.70
ST-525	5-1/4	6	3/8	.585	.374 ^{+0.004} / _{+0.000}	5.250 ^{-0.0017} / _{-0.0056}	5.743 ^{+0.010} / _{+0.000}	5.997 ^{+0.006} / _{+0.000}	25.54
ST-550	5-1/2	6-1/4	3/8	.585	.374 ^{+0.004} / _{+0.000}	5.500 ^{-0.0017} / _{-0.0056}	5.993 ^{+0.010} / _{+0.000}	6.247 ^{+0.006} / _{+0.000}	25.70
ST-575	5-3/4	6-1/2	3/8	.585	.374 ^{+0.004} / _{+0.000}	5.750 ^{-0.0017} / _{-0.0056}	6.243 ^{+0.010} / _{+0.000}	6.497 ^{+0.006} / _{+0.000}	28.93
ST-600	6	6-3/4	3/8	.585	.374 ^{+0.004} / _{+0.000}	6.000 ^{-0.0017} / _{-0.0056}	6.493 ^{+0.010} / _{+0.000}	6.747 ^{+0.006} / _{+0.000}	30.42
ST-625	6-1/4	7	3/8	.585	.374 ^{+0.004} / _{+0.000}	6.250 ^{-0.0017} / _{-0.0056}	6.743 ^{+0.010} / _{+0.000}	6.997 ^{+0.006} / _{+0.000}	31.26
ST-650	6-1/2	7-1/4	3/8	.585	.374 ^{+0.004} / _{+0.000}	6.500 ^{-0.0017} / _{-0.0056}	6.993 ^{+0.010} / _{+0.000}	7.247 ^{+0.006} / _{+0.000}	32.09
ST-650-A	6-1/2	7-1/2	3/8	.585	.374 ^{+0.004} / _{+0.000}	6.500 ^{-0.0017} / _{-0.0056}	7.159 ^{+0.010} / _{+0.000}	7.497 ^{+0.006} / _{+0.000}	113.79
ST-660	6-1/2	7-1/2	1/2	.775	.499 ^{+0.004} / _{+0.000}	6.500 ^{-0.0017} / _{-0.0056}	6.993 ^{+0.010} / _{+0.000}	7.497 ^{+0.006} / _{+0.000}	105.32
ST-675	6-3/4	7-1/2	3/8	.585	.374 ^{+0.004} / _{+0.000}	6.750 ^{-0.0017} / _{-0.0056}	7.243 ^{+0.010} / _{+0.000}	7.497 ^{+0.006} / _{+0.000}	33.58
ST-702	7	8	.4	.675	.399 ^{+0.004} / _{+0.000}	7.000 ^{-0.0017} / _{-0.0056}	7.659 ^{+0.010} / _{+0.000}	7.997 ^{+0.006} / _{+0.000}	104.90
ST-701	7	8	1/2	.775	.499 ^{+0.004} / _{+0.000}	7.000 ^{-0.0017} / _{-0.0056}	7.659 ^{+0.010} / _{+0.000}	7.997 ^{+0.006} / _{+0.000}	104.45
ST-750	7-1/2	8-1/4	3/8	.585	.374 ^{+0.004} / _{+0.000}	7.500 ^{-0.0020} / _{-0.0065}	7.993 ^{+0.010} / _{+0.000}	8.247 ^{+0.006} / _{+0.000}	69.96
ST-750-A	7-1/2	8-1/2	3/8	.585	.374 ^{+0.004} / _{+0.000}	7.500 ^{-0.0020} / _{-0.0065}	8.159 ^{+0.010} / _{+0.000}	8.497 ^{+0.006} / _{+0.000}	127.20
ST-775	7-3/4	8-1/2	3/8	.585	.374 ^{+0.004} / _{+0.000}	7.750 ^{-0.0020} / _{-0.0065}	8.243 ^{+0.010} / _{+0.000}	8.497 ^{+0.006} / _{+0.000}	40.09
ST-801	8	8-1/2	1/4	.395	.249 ^{+0.004} / _{+0.000}	8.000 ^{-0.0020} / _{-0.0065}	8.327 ^{+0.010} / _{+0.000}	8.497 ^{+0.006} / _{+0.000}	42.85
ST-800	8	8-3/4	3/8	.585	.374 ^{+0.004} / _{+0.000}	8.000 ^{-0.0020} / _{-0.0065}	8.493 ^{+0.010} / _{+0.000}	8.747 ^{+0.006} / _{+0.000}	42.85
ST-825	8-1/4	9	3/8	.585	.374 ^{+0.004} / _{+0.000}	8.250 ^{-0.0020} / _{-0.0065}	8.743 ^{+0.010} / _{+0.000}	8.997 ^{+0.006} / _{+0.000}	43.46



STYLE ST URETHANE WIPER RINGS

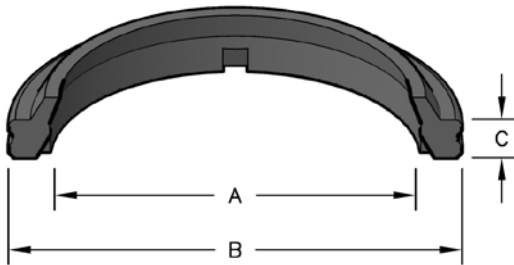
WIPER RINGS

Part Number	A Nom. ID	B Nom. OD	C Nom. Ht	C ₁ OVERALL HEIGHT	D GROOVE WIDTH	E ROD DIAMETER	F THROAT DIAMETER	G HOUSING DIAMETER	List Price
ST-851	8-1/2	9	1/4	.395	.249 ^{+0.004} / _{+0.000}	8.500 ^{-0.0020} / _{-0.0065}	8.827 ^{+0.010} / _{+0.000}	8.997 ^{+0.006} / _{+0.000}	107.00
ST-850	8-1/2	9-1/4	3/8	.585	.374 ^{+0.004} / _{+0.000}	8.500 ^{-0.0020} / _{-0.0065}	8.993 ^{+0.010} / _{+0.000}	9.247 ^{+0.006} / _{+0.000}	43.46
ST-875	8-3/4	9-1/2	1/4	.395	.374 ^{+0.004} / _{+0.000}	8.750 ^{-0.0020} / _{-0.0065}	9.243 ^{+0.010} / _{+0.000}	9.497 ^{+0.006} / _{+0.000}	46.15
ST-900	9	9-3/4	3/8	.585	.374 ^{+0.004} / _{+0.000}	9.000 ^{-0.0020} / _{-0.0065}	9.493 ^{+0.010} / _{+0.000}	9.747 ^{+0.006} / _{+0.000}	49.39
ST-950	9-1/2	10-1/4	3/8	.585	.374 ^{+0.004} / _{+0.000}	9.500 ^{-0.0020} / _{-0.0065}	9.993 ^{+0.010} / _{+0.000}	10.247 ^{+0.006} / _{+0.000}	129.59
ST-975	9-3/4	10-1/2	3/8	.585	.374 ^{+0.004} / _{+0.000}	9.750 ^{-0.0020} / _{-0.0065}	10.243 ^{+0.010} / _{+0.000}	10.497 ^{+0.006} / _{+0.000}	55.38
ST-1000A	10	10-1/2	1/4	.395	.249 ^{+0.004} / _{+0.000}	10.000 ^{-0.0022} / _{-0.0073}	10.313 ^{+0.010} / _{+0.000}	10.497 ^{+0.006} / _{+0.000}	135.67
ST-1000	10	11	1/2	.775	.499 ^{+0.004} / _{+0.000}	10.000 ^{-0.0022} / _{-0.0073}	10.659 ^{+0.010} / _{+0.000}	10.997 ^{+0.006} / _{+0.000}	63.46
ST-1100	11	12	1/2	.775	.499 ^{+0.004} / _{+0.000}	11.000 ^{-0.0022} / _{-0.0073}	11.659 ^{+0.010} / _{+0.000}	11.997 ^{+0.006} / _{+0.000}	68.82
ST-1200	12	13	1/2	.775	.499 ^{+0.004} / _{+0.000}	12.000 ^{-0.0022} / _{-0.0073}	12.659 ^{+0.010} / _{+0.000}	12.997 ^{+0.006} / _{+0.000}	73.63
ST-1201	12	13-1/4	1/2	.775	.499 ^{+0.004} / _{+0.000}	12.000 ^{-0.0022} / _{-0.0073}	12.909 ^{+0.010} / _{+0.000}	13.247 ^{+0.006} / _{+0.000}	155.61
ST-1250	12-1/2	13-1/2	1/2	.775	.499 ^{+0.004} / _{+0.000}	12.500 ^{-0.0024} / _{-0.0080}	13.159 ^{+0.010} / _{+0.000}	13.497 ^{+0.006} / _{+0.000}	159.47

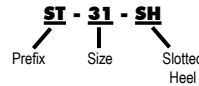
STYLE ST URETHANE WIPER RINGS WITH SLOTTED HEEL



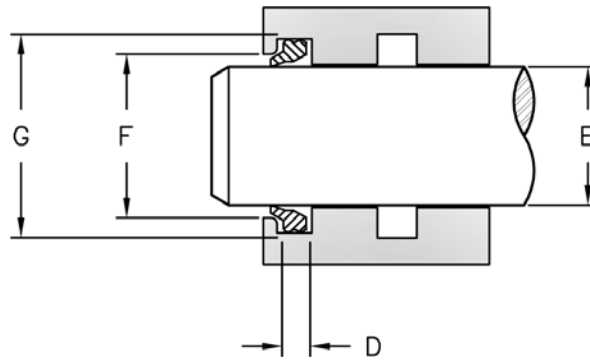
A wide range of ST wipers are now offered in the slotted heel design. The slots in the heel allow excess hydraulic fluid to bypass the wiper, preventing wiper blowout.



HERCULES PART NUMBERS



SEAL INFORMATION	
MATERIAL	90A URETHANE
TEMPERATURE RANGE	-40° TO +200° F
SPEED	3 FT/SEC



WIPER RINGS

Part Number	A Nom. ID	B Nom. OD	C Nom. Ht	D GROOVE WIDTH	E ROD DIAMETER	F THROAT DIAMETER	G HOUSING DIAMETER	List Price
ST-31-SH	5/16	9/16	1/8	.124 ^{+0.004} / _{+0.000}	.312 ^{-0.0005} / _{-0.0019}	.475 ^{+0.010} / _{+0.000}	.560 ^{+0.006} / _{+0.000}	\$3.94
ST-37-SH	3/8	5/8	1/8	.124 ^{+0.004} / _{+0.000}	.375 ^{-0.0005} / _{-0.0019}	.535 ^{+0.010} / _{+0.000}	.622 ^{+0.006} / _{+0.000}	3.94
ST-43-SH	7/16	11/16	1/8	.124 ^{+0.004} / _{+0.000}	.437 ^{-0.0006} / _{-0.0023}	.600 ^{+0.010} / _{+0.000}	.685 ^{+0.006} / _{+0.000}	3.94
ST-50-SH	1/2	3/4	1/8	.124 ^{+0.004} / _{+0.000}	.500 ^{-0.0006} / _{-0.0023}	.660 ^{+0.010} / _{+0.000}	.747 ^{+0.006} / _{+0.000}	3.94
ST-62-SH	5/8	7/8	1/8	.124 ^{+0.004} / _{+0.000}	.625 ^{-0.0006} / _{-0.0023}	.785 ^{+0.010} / _{+0.000}	.872 ^{+0.006} / _{+0.000}	4.68
ST-68-SH	11/16	.934	.124	.124 ^{+0.004} / _{+0.000}	.687 ^{-0.0006} / _{-0.0023}	.844 ^{+0.010} / _{+0.000}	.934 ^{+0.006} / _{+0.000}	4.68
ST-75-SH	3/4	1-1/8	3/16	.187 ^{+0.004} / _{+0.000}	.750 ^{-0.0008} / _{-0.0028}	.995 ^{+0.010} / _{+0.000}	1.122 ^{+0.006} / _{+0.000}	4.68
ST-87-SH	7/8	1-1/4	3/16	.187 ^{+0.004} / _{+0.000}	.875 ^{-0.0008} / _{-0.0028}	1.120 ^{+0.010} / _{+0.000}	1.247 ^{+0.006} / _{+0.000}	4.68
ST-100-SH	1	1-3/8	3/16	.187 ^{+0.004} / _{+0.000}	1.000 ^{-0.0008} / _{-0.0028}	1.245 ^{+0.010} / _{+0.000}	1.372 ^{+0.006} / _{+0.000}	4.68
ST-112-SH	1-1/8	1-1/2	3/16	.187 ^{+0.004} / _{+0.000}	1.125 ^{-0.0008} / _{-0.0028}	1.370 ^{+0.010} / _{+0.000}	1.497 ^{+0.006} / _{+0.000}	4.68
ST-125-SH	1-1/4	1-5/8	3/16	.187 ^{+0.004} / _{+0.000}	1.250 ^{-0.0010} / _{-0.0034}	1.495 ^{+0.010} / _{+0.000}	1.622 ^{+0.006} / _{+0.000}	5.11
ST-137-SH	1-3/8	1-3/4	3/16	.187 ^{+0.004} / _{+0.000}	1.375 ^{-0.0010} / _{-0.0034}	1.620 ^{+0.010} / _{+0.000}	1.747 ^{+0.006} / _{+0.000}	5.43
ST-150-SH	1-1/2	1-7/8	3/16	.187 ^{+0.004} / _{+0.000}	1.500 ^{-0.0010} / _{-0.0034}	1.745 ^{+0.010} / _{+0.000}	1.872 ^{+0.006} / _{+0.000}	5.98
ST-162-SH	1-5/8	2	3/16	.187 ^{+0.004} / _{+0.000}	1.625 ^{-0.0010} / _{-0.0034}	1.870 ^{+0.010} / _{+0.000}	1.997 ^{+0.006} / _{+0.000}	6.36
ST-175-SH	1-3/4	2-1/8	3/16	.187 ^{+0.004} / _{+0.000}	1.750 ^{-0.0010} / _{-0.0034}	1.995 ^{+0.010} / _{+0.000}	2.122 ^{+0.006} / _{+0.000}	6.69
ST-187-SH	1-7/8	2-1/4	3/16	.187 ^{+0.004} / _{+0.000}	1.875 ^{-0.0010} / _{-0.0034}	2.120 ^{+0.010} / _{+0.000}	2.247 ^{+0.006} / _{+0.000}	6.85
ST-200-SH	2	2-1/2	1/4	.249 ^{+0.004} / _{+0.000}	2.000 ^{-0.0012} / _{-0.0041}	2.327 ^{+0.010} / _{+0.000}	2.497 ^{+0.006} / _{+0.000}	7.02



STYLE ST URETHANE WIPER RINGS WITH SLOTTED HEEL

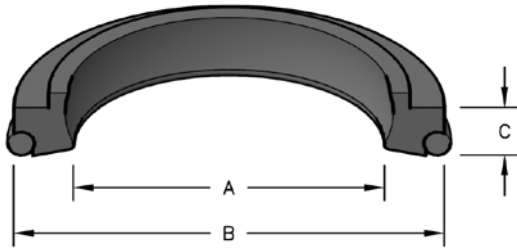
WIPER RINGS

Part Number	A Nom. ID	B Nom. OD	C Nom. Ht	D GROOVE WIDTH	E ROD DIAMETER	F THROAT DIAMETER	G HOUSING DIAMETER	List Price
ST-212-SH	2-1/8	2-5/8	1/4	.249 ^{+0.04} / _{+0.00}	2.125 ^{-0.012} / _{-0.0041}	2.452 ^{+0.010} / _{+0.00}	2.622 ^{+0.006} / _{+0.00}	7.29
ST-225-SH	2-1/4	2-3/4	1/4	.249 ^{+0.04} / _{+0.00}	2.250 ^{-0.012} / _{-0.0041}	2.577 ^{+0.010} / _{+0.00}	2.747 ^{+0.006} / _{+0.00}	7.42
ST-237-SH	2-3/8	2-7/8	1/4	.249 ^{+0.04} / _{+0.00}	2.375 ^{-0.012} / _{-0.0041}	2.702 ^{+0.010} / _{+0.00}	2.872 ^{+0.006} / _{+0.00}	7.42
ST-250-SH	2-1/2	3	1/4	.249 ^{+0.04} / _{+0.00}	2.500 ^{-0.012} / _{-0.0041}	2.827 ^{+0.010} / _{+0.00}	2.997 ^{+0.006} / _{+0.00}	7.42
ST-275-SH	2-3/4	3-1/4	1/4	.249 ^{+0.04} / _{+0.00}	2.750 ^{-0.012} / _{-0.0041}	3.077 ^{+0.010} / _{+0.00}	3.247 ^{+0.006} / _{+0.00}	8.54
ST-300-SH	3	3-1/2	1/4	.249 ^{+0.04} / _{+0.00}	3.000 ^{-0.012} / _{-0.0041}	3.327 ^{+0.010} / _{+0.00}	3.497 ^{+0.006} / _{+0.00}	8.93
ST-312-SH	3-1/8	3-5/8	1/4	.249 ^{+0.04} / _{+0.00}	3.125 ^{-0.012} / _{-0.0041}	3.452 ^{+0.010} / _{+0.00}	3.622 ^{+0.006} / _{+0.00}	9.88
ST-325-SH	3-1/4	3-3/4	1/4	.249 ^{+0.04} / _{+0.00}	3.250 ^{-0.014} / _{-0.0048}	3.577 ^{+0.010} / _{+0.00}	3.747 ^{+0.006} / _{+0.00}	10.16
ST-350-SH	3-1/2	4	1/4	.249 ^{+0.04} / _{+0.00}	3.500 ^{-0.014} / _{-0.0048}	3.827 ^{+0.010} / _{+0.00}	3.997 ^{+0.006} / _{+0.00}	10.16
ST-362-SH	3-5/8	4-1/8	1/4	.249 ^{+0.04} / _{+0.00}	3.625 ^{-0.014} / _{-0.0048}	3.952 ^{+0.010} / _{+0.00}	4.122 ^{+0.006} / _{+0.00}	10.98
ST-375-SH	3-3/4	4-1/4	1/4	.249 ^{+0.04} / _{+0.00}	3.750 ^{-0.014} / _{-0.0048}	4.077 ^{+0.010} / _{+0.00}	4.247 ^{+0.006} / _{+0.00}	11.78
ST-400-SH	4	4-1/2	1/4	.249 ^{+0.04} / _{+0.00}	4.000 ^{-0.014} / _{-0.0048}	4.327 ^{+0.010} / _{+0.00}	4.497 ^{+0.006} / _{+0.00}	13.22
ST-425-SH	4-1/4	4-3/4	1/4	.249 ^{+0.04} / _{+0.00}	4.250 ^{-0.014} / _{-0.0048}	4.577 ^{+0.010} / _{+0.00}	4.747 ^{+0.006} / _{+0.00}	13.68
ST-450-SH	4-1/2	5-1/4	3/8	.374 ^{+0.04} / _{+0.00}	4.500 ^{-0.014} / _{-0.0048}	4.993 ^{+0.010} / _{+0.00}	5.247 ^{+0.006} / _{+0.00}	14.81
ST-475-SH	4-3/4	5-1/2	3/8	.374 ^{+0.04} / _{+0.00}	4.750 ^{-0.017} / _{-0.0056}	5.243 ^{+0.010} / _{+0.00}	5.497 ^{+0.006} / _{+0.00}	15.68
ST-500-SH	5	5-3/4	3/8	.374 ^{+0.04} / _{+0.00}	5.000 ^{-0.017} / _{-0.0056}	5.493 ^{+0.010} / _{+0.00}	5.747 ^{+0.006} / _{+0.00}	20.70
ST-525-SH	5-1/4	6	3/8	.374 ^{+0.04} / _{+0.00}	5.250 ^{-0.017} / _{-0.0056}	5.743 ^{+0.010} / _{+0.00}	5.997 ^{+0.006} / _{+0.00}	25.54
ST-550-SH	5-1/2	6-1/4	3/8	.374 ^{+0.04} / _{+0.00}	5.500 ^{-0.017} / _{-0.0056}	5.993 ^{+0.010} / _{+0.00}	6.247 ^{+0.006} / _{+0.00}	26.84
ST-600-SH	6	6-3/4	3/8	.374 ^{+0.04} / _{+0.00}	6.000 ^{-0.017} / _{-0.0056}	6.493 ^{+0.010} / _{+0.00}	6.747 ^{+0.006} / _{+0.00}	30.42
ST-700-SH	7	7-3/4	3/8	.374 ^{+0.04} / _{+0.00}	7.000 ^{-0.017} / _{-0.0056}	7.493 ^{+0.010} / _{+0.00}	7.747 ^{+0.006} / _{+0.00}	36.11
ST-725-SH	7-1/4	8	3/8	.374 ^{+0.04} / _{+0.00}	7.250 ^{-0.020} / _{-0.0065}	7.743 ^{+0.010} / _{+0.00}	7.997 ^{+0.006} / _{+0.00}	36.70
ST-750-SH	7-1/2	8-1/4	3/8	.374 ^{+0.04} / _{+0.00}	7.500 ^{-0.020} / _{-0.0065}	7.993 ^{+0.010} / _{+0.00}	8.247 ^{+0.006} / _{+0.00}	38.84
ST-800-SH	8	8-3/4	3/8	.374 ^{+0.04} / _{+0.00}	8.000 ^{-0.020} / _{-0.0065}	8.493 ^{+0.010} / _{+0.00}	8.747 ^{+0.006} / _{+0.00}	40.55
ST-900-SH	9	9-3/4	3/8	.374 ^{+0.04} / _{+0.00}	9.000 ^{-0.020} / _{-0.0065}	9.493 ^{+0.010} / _{+0.00}	9.747 ^{+0.006} / _{+0.00}	48.49

STYLE STXE ENERGIZED WIPER RINGS



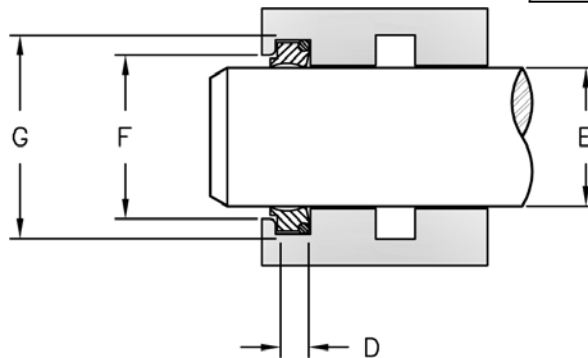
STXE wipers are designed to retrofit the standard ST wiper groove while providing superior performance. The o-ring energizer limits dirt intrusion around the OD of the wiper. The energizer also makes this wiper more effective in applications with severe side deflections.



HERCULES PART NUMBERS

STXE - 150
Prefix Size

SEAL INFORMATION	
MATERIAL	URETHANE WIPER RUBBER ENER- GIZER
TEMPERATURE RANGE	-40° TO +200° F
SPEED	3 FT/SEC

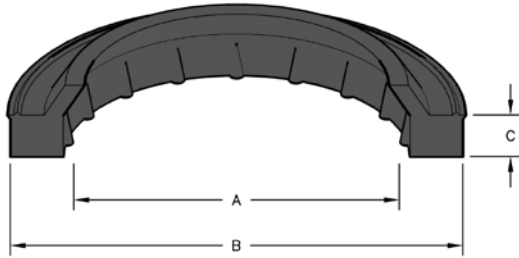


Part Number	A Nom. ID	B Nom. OD	C Nom. Ht	D GROOVE WIDTH	E ROD DIAMETER	F THROAT DIAMETER	G HOUSING DIAMETER	List Price
STXE-150	1-1/2	1-7/8	3/16	.187 +0.04 +0.00	1.500 -0.010 -0.0034	1.745 +0.010 +0.000	1.872 +0.006 +0.000	\$19.90
STXE-175	1-3/4	2-1/8	3/16	.187 +0.04 +0.00	1.750 -0.010 -0.0034	1.995 +0.010 +0.000	2.122 +0.006 +0.000	22.68
STXE-200	2	2-1/2	1/4	.249 +0.04 +0.00	2.000 -0.012 -0.0041	2.327 +0.010 +0.000	2.497 +0.006 +0.000	25.52
STXE-250	2-1/2	3	1/4	.249 +0.04 +0.00	2.500 -0.012 -0.0041	2.827 +0.010 +0.000	2.997 +0.006 +0.000	29.31
STXE-300	3	3-1/2	1/4	.249 +0.04 +0.00	3.000 -0.012 -0.0041	3.327 +0.010 +0.000	3.497 +0.006 +0.000	33.66
STXE-350	3-1/2	4	1/4	.249 +0.04 +0.00	3.500 -0.014 -0.0048	3.827 +0.010 +0.000	3.997 +0.006 +0.000	50.80
STXE-375	3-3/4	4-1/4	1/4	.249 +0.04 +0.00	3.750 -0.014 -0.0048	4.077 +0.010 +0.000	4.247 +0.006 +0.000	51.42
STXE-400	4	4-1/2	1/4	.249 +0.04 +0.00	4.000 -0.014 -0.0048	4.327 +0.010 +0.000	4.497 +0.006 +0.000	52.53
STXE-450	4-1/2	5-1/4	3/8	.374 +0.04 +0.00	4.500 -0.014 -0.0048	4.993 +0.010 +0.000	5.247 +0.006 +0.000	75.24
STXE-600	6	6-3/4	3/8	.374 +0.04 +0.00	6.000 -0.017 -0.0056	6.493 +0.010 +0.000	6.747 +0.006 +0.000	90.24
STXE-850	8-1/2	9-1/4	3/8	.374 +0.04 +0.00	8.500 -0.020 -0.0065	8.993 +0.010 +0.000	9.247 +0.006 +0.000	141.33

Seal color may vary. Special order sizes are available. Sizes not shown and out of stock items can also be ordered for next day delivery through Seals On Demand, our custom seal program. Please call your regional sales team for assistance.

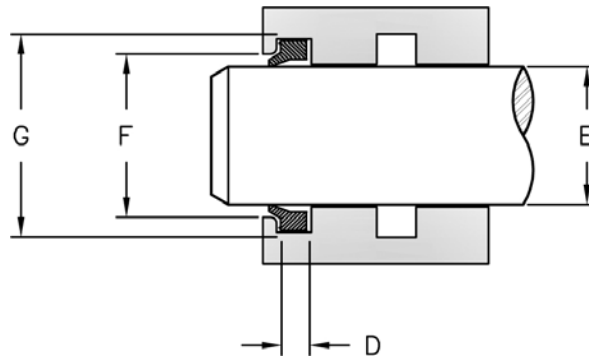
STYLE ST-XL URETHANE WIPER RINGS

Style ST-XL wipers are molded from premium urethane and are direct replacements for Style "ST" or "D" wipers. The outside diameter of the ring has a crush lip providing extra interference in the groove. A bead on the shoulder stops contaminants from entering through the groove. The inside diameter is ribbed to prevent pressure traps between the wiper and rod seal.



HERCULES PART NUMBERS

ST - 37 - XL
 Prefix Size Extra Lip



SEAL INFORMATION	
MATERIAL	94A URETHANE
TEMPERATURE RANGE	-40° TO +230° F
SPEED	3 FT/SEC

WIPER RINGS

Part Number	A Nom. ID	B Nom. OD	C Nom. Ht	D GROOVE WIDTH	E ROD DIAMETER	F THROAT DIAMETER	G HOUSING DIAMETER	List Price
ST-37-XL	3/8	5/8	1/8	.124 ^{+0.04} / _{+0.000}	.375 ^{-0.005} / _{-0.019}	.535 ^{+0.010} / _{+0.000}	.622 ^{+0.006} / _{+0.000}	\$4.21
ST-50-XL	1/2	3/4	1/8	.124 ^{+0.04} / _{+0.000}	.500 ^{-0.006} / _{-0.023}	.660 ^{+0.010} / _{+0.000}	.747 ^{+0.006} / _{+0.000}	4.21
ST-62-XL	5/8	7/8	1/8	.124 ^{+0.04} / _{+0.000}	.625 ^{-0.006} / _{-0.023}	.785 ^{+0.010} / _{+0.000}	.872 ^{+0.006} / _{+0.000}	2.51
ST-75-XL	3/4	1-1/8	3/16	.187 ^{+0.04} / _{+0.000}	.750 ^{-0.008} / _{-0.028}	.995 ^{+0.010} / _{+0.000}	1.122 ^{+0.006} / _{+0.000}	4.76
ST-87-XL	7/8	1-1/4	3/16	.187 ^{+0.04} / _{+0.000}	.875 ^{-0.008} / _{-0.028}	1.120 ^{+0.010} / _{+0.000}	1.247 ^{+0.006} / _{+0.000}	2.94
ST-100-XL	1	1-3/8	3/16	.187 ^{+0.04} / _{+0.000}	1.000 ^{-0.008} / _{-0.028}	1.245 ^{+0.010} / _{+0.000}	1.372 ^{+0.006} / _{+0.000}	6.35
ST-112-XL	1-1/8	1-1/2	3/16	.187 ^{+0.04} / _{+0.000}	1.125 ^{-0.008} / _{-0.028}	1.370 ^{+0.010} / _{+0.000}	1.497 ^{+0.006} / _{+0.000}	6.35
ST-118-XL	1-3/16	1-9/16	3/16	.187 ^{+0.04} / _{+0.000}	1.187 ^{-0.010} / _{-0.034}	1.4375 ^{+0.010} / _{+0.000}	1.5625 ^{+0.006} / _{+0.000}	5.59
ST-125-XL	1-1/4	1-5/8	3/16	.187 ^{+0.04} / _{+0.000}	1.250 ^{-0.010} / _{-0.034}	1.495 ^{+0.010} / _{+0.000}	1.622 ^{+0.006} / _{+0.000}	6.89
ST-137-XL	1-3/8	1-3/4	3/16	.187 ^{+0.04} / _{+0.000}	1.375 ^{-0.010} / _{-0.034}	1.620 ^{+0.010} / _{+0.000}	1.747 ^{+0.006} / _{+0.000}	7.29
ST-150-XL	1-1/2	1-7/8	3/16	.187 ^{+0.04} / _{+0.000}	1.500 ^{-0.010} / _{-0.034}	1.745 ^{+0.010} / _{+0.000}	1.872 ^{+0.006} / _{+0.000}	7.69
ST-162-XL	1-5/8	2	3/16	.187 ^{+0.04} / _{+0.000}	1.625 ^{-0.010} / _{-0.034}	1.870 ^{+0.010} / _{+0.000}	1.997 ^{+0.006} / _{+0.000}	8.37
ST-175-XL	1-3/4	2-1/8	3/16	.187 ^{+0.04} / _{+0.000}	1.750 ^{-0.010} / _{-0.034}	1.995 ^{+0.010} / _{+0.000}	2.122 ^{+0.006} / _{+0.000}	9.00
ST-187-XL	1-7/8	2-1/4	3/16	.187 ^{+0.04} / _{+0.000}	1.875 ^{-0.010} / _{-0.034}	2.120 ^{+0.010} / _{+0.000}	2.247 ^{+0.006} / _{+0.000}	9.90
ST-200-XL	2	2-1/2	1/4	.249 ^{+0.04} / _{+0.000}	2.000 ^{-0.012} / _{-0.041}	2.327 ^{+0.010} / _{+0.000}	2.497 ^{+0.006} / _{+0.000}	9.41
ST-225-XL	2-1/4	2-3/4	1/4	.249 ^{+0.04} / _{+0.000}	2.250 ^{-0.012} / _{-0.041}	2.577 ^{+0.010} / _{+0.000}	2.747 ^{+0.006} / _{+0.000}	9.93

STYLE ST-XL URETHANE WIPER RINGS

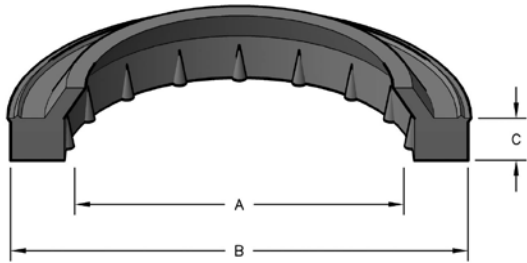


WIPER RINGS

Part Number	A Nom. ID	B Nom. OD	C Nom. Ht	D GROOVE WIDTH	E ROD DIAMETER	F THROAT DIAMETER	G HOUSING DIAMETER	List Price
ST-237-XL	2-3/8	2-7/8	1/4	.249 ^{+0.004} / _{+0.000}	2.375 ^{-0.0012} / _{-0.0041}	2.702 ^{+0.010} / _{+0.000}	2.872 ^{+0.006} / _{+0.000}	10.48
ST-250-XL	2-1/2	3	1/4	.249 ^{+0.004} / _{+0.000}	2.500 ^{-0.0012} / _{-0.0041}	2.827 ^{+0.010} / _{+0.000}	2.997 ^{+0.006} / _{+0.000}	11.03
ST-275-XL	2-3/4	3-1/4	1/4	.249 ^{+0.004} / _{+0.000}	2.750 ^{-0.0012} / _{-0.0041}	3.077 ^{+0.010} / _{+0.000}	3.247 ^{+0.006} / _{+0.000}	11.48
ST-300-XL	3	3-1/2	1/4	.249 ^{+0.004} / _{+0.000}	3.000 ^{-0.0012} / _{-0.0041}	3.327 ^{+0.010} / _{+0.000}	3.497 ^{+0.006} / _{+0.000}	11.94
ST-325-XL	3-1/4	3-3/4	1/4	.249 ^{+0.004} / _{+0.000}	3.250 ^{-0.0014} / _{-0.0048}	3.577 ^{+0.010} / _{+0.000}	3.747 ^{+0.006} / _{+0.000}	13.18
ST-350-XL	3-1/2	4	1/4	.249 ^{+0.004} / _{+0.000}	3.500 ^{-0.0014} / _{-0.0048}	3.827 ^{+0.010} / _{+0.000}	3.997 ^{+0.006} / _{+0.000}	13.56
ST-375-XL	3-3/4	4-1/4	1/4	.249 ^{+0.004} / _{+0.000}	3.750 ^{-0.0014} / _{-0.0048}	4.077 ^{+0.010} / _{+0.000}	4.247 ^{+0.006} / _{+0.000}	15.65
ST-387-XL	3-7/8	4-3/8	1/4	.249 ^{+0.004} / _{+0.000}	3.875 ^{-0.001} / _{-0.005}	4.202 ^{+0.010} / _{+0.000}	4.372 ^{+0.006} / _{+0.000}	16.69
ST-400-XL	4	4-1/2	1/4	.249 ^{+0.004} / _{+0.000}	4.000 ^{-0.0014} / _{-0.0048}	4.327 ^{+0.010} / _{+0.000}	4.497 ^{+0.006} / _{+0.000}	17.73
ST-425-XL	4-1/4	4-3/4	1/4	.249 ^{+0.004} / _{+0.000}	4.250 ^{-0.0014} / _{-0.0048}	4.577 ^{+0.010} / _{+0.000}	4.747 ^{+0.006} / _{+0.000}	18.78
ST-450A-XL	4-1/2	5	1/4	.249 ^{+0.004} / _{+0.000}	4.500 ^{-0.001} / _{-0.005}	4.827 ^{+0.010} / _{+0.000}	4.997 ^{+0.006} / _{+0.000}	18.51
ST-450-XL	4-1/2	5-1/4	3/8	.374 ^{+0.004} / _{+0.000}	4.500 ^{-0.0014} / _{-0.0048}	4.993 ^{+0.010} / _{+0.000}	5.247 ^{+0.006} / _{+0.000}	19.80
ST-475-XL	4-3/4	5-1/2	3/8	.374 ^{+0.004} / _{+0.000}	4.750 ^{-0.0017} / _{-0.0056}	5.243 ^{+0.010} / _{+0.000}	5.497 ^{+0.006} / _{+0.000}	24.83
ST-500A-XL	5	5-1/2	1/4	.250 ^{+0.004} / _{+0.000}	5.000 ^{-0.002} / _{-0.006}	5.327 ^{+0.010} / _{+0.000}	4.997 ^{+0.006} / _{+0.000}	30.04
ST-500-XL	5	5-3/4	3/8	.374 ^{+0.004} / _{+0.000}	5.000 ^{-0.0017} / _{-0.0056}	5.493 ^{+0.010} / _{+0.000}	5.747 ^{+0.006} / _{+0.000}	29.85
ST-525-XL	5-1/4	6	3/8	.374 ^{+0.004} / _{+0.000}	5.250 ^{-0.0017} / _{-0.0056}	5.743 ^{+0.010} / _{+0.000}	5.997 ^{+0.006} / _{+0.000}	34.13
ST-550-XL	5-1/2	6-1/4	3/8	.374 ^{+0.004} / _{+0.000}	5.500 ^{-0.0017} / _{-0.0056}	5.993 ^{+0.010} / _{+0.000}	6.247 ^{+0.006} / _{+0.000}	34.37
ST-575-XL	5-3/4	6-1/2	3/8	.374 ^{+0.004} / _{+0.000}	5.750 ^{-0.0017} / _{-0.0056}	6.243 ^{+0.010} / _{+0.000}	6.497 ^{+0.006} / _{+0.000}	37.41
ST-600-XL	6	6-3/4	3/8	.374 ^{+0.004} / _{+0.000}	6.000 ^{-0.0017} / _{-0.0056}	6.493 ^{+0.010} / _{+0.000}	6.747 ^{+0.006} / _{+0.000}	40.48
ST-650-XL	6-1/2	7-1/4	3/8	.374 ^{+0.004} / _{+0.000}	6.500 ^{-0.0017} / _{-0.0056}	6.993 ^{+0.010} / _{+0.000}	7.247 ^{+0.006} / _{+0.000}	33.92
ST-700-XL	7	7-3/4	3/8	.374 ^{+0.004} / _{+0.000}	7.000 ^{-0.0017} / _{-0.0056}	7.493 ^{+0.010} / _{+0.000}	7.747 ^{+0.006} / _{+0.000}	37.33
ST-750-XL	7-1/2	8-1/4	3/8	.374 ^{+0.004} / _{+0.000}	7.500 ^{-0.0020} / _{-0.0065}	7.993 ^{+0.010} / _{+0.000}	8.247 ^{+0.006} / _{+0.000}	42.87
ST-800-XL	8	8-3/4	3/8	.374 ^{+0.004} / _{+0.000}	8.000 ^{-0.0020} / _{-0.0065}	8.493 ^{+0.010} / _{+0.000}	8.747 ^{+0.006} / _{+0.000}	45.30
ST-825-XL	8-1/4	9	3/8	.374 ^{+0.004} / _{+0.000}	8.250 ^{-0.0020} / _{-0.0065}	8.743 ^{+0.010} / _{+0.000}	8.997 ^{+0.006} / _{+0.000}	48.59
ST-850-XL	8-1/2	9-1/4	3/8	.374 ^{+0.004} / _{+0.000}	8.500 ^{-0.0020} / _{-0.0065}	8.993 ^{+0.010} / _{+0.000}	9.247 ^{+0.006} / _{+0.000}	49.58
ST-900-XL	9	9-3/4	3/8	.374 ^{+0.004} / _{+0.000}	9.000 ^{-0.002} / _{-0.006}	9.493 ^{+0.010} / _{+0.000}	9.747 ^{+0.006} / _{+0.000}	59.21

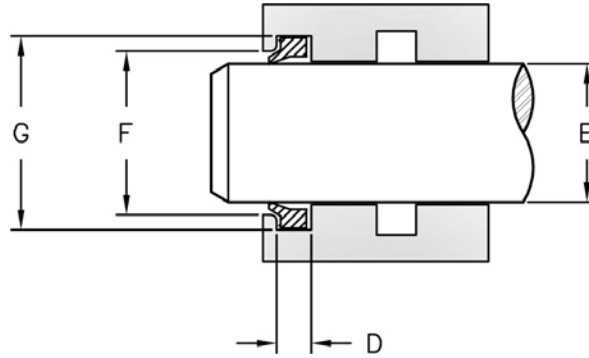
STYLE ST-XL-PM URETHANE WIPER RINGS

Style ST-XL-PM wipers are molded from 55D polyester and are direct replacements for Style "ST", "ST-XL" or "D" wipers. The polyester based material provides a tough abrasion resistant wiper for heavy contaminant environments. The outside diameter of the ring has a crush lip providing extra interference in the groove. A bead on the shoulder stops contaminants from entering through the groove. The inside diameter is ribbed to prevent pressure traps between the wiper and rod seal.



HERCULES PART NUMBERS

ST - 100 - XL - PM
 Prefix Size Extra Lip



SEAL INFORMATION	
MATERIAL	55D POLYESTER
TEMPERATURE RANGE	-40° TO +250° F
SPEED	12 FT/SEC

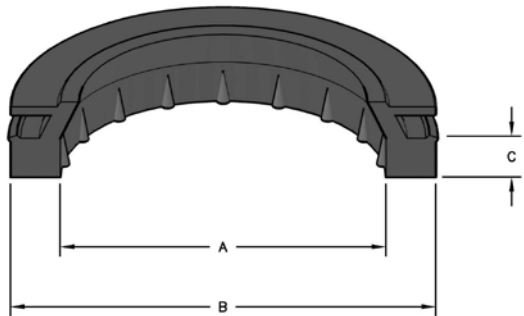
WIPER RINGS

Part Number	A Nom. ID	B Nom. OD	C Nom. Ht	D GROOVE WIDTH	E ROD DIAMETER	F THROAT DIAMETER	G HOUSING DIAMETER	List Price
ST-100-XL-PM	1	1-3/8	3/16	.187 ^{+0.004} / _{+0.000}	1.000 ^{-0.001} / _{-0.003}	1.245 ^{+0.010} / _{+0.000}	1.372 ^{+0.006} / _{+0.000}	\$7.62
ST-137-XL-PM	1-3/8	1-3/4	3/16	.187 ^{+0.004} / _{+0.000}	1.375 ^{-0.001} / _{-0.003}	1.620 ^{+0.010} / _{+0.000}	1.747 ^{+0.006} / _{+0.000}	8.76
ST-150-XL-PM	1-1/2	1-7/8	3/16	.187 ^{+0.004} / _{+0.000}	1.500 ^{-0.001} / _{-0.003}	1.745 ^{+0.010} / _{+0.000}	1.872 ^{+0.006} / _{+0.000}	9.24
ST-175-XL-PM	1-3/4	2-1/8	3/16	.187 ^{+0.004} / _{+0.000}	1.750 ^{-0.001} / _{-0.003}	1.995 ^{+0.010} / _{+0.000}	2.122 ^{+0.006} / _{+0.000}	10.80
ST-200-XL-PM	2	2-1/2	1/4	.249 ^{+0.004} / _{+0.000}	2.000 ^{-0.001} / _{-0.004}	2.327 ^{+0.010} / _{+0.000}	2.497 ^{+0.006} / _{+0.000}	11.31
ST-225-XL-PM	2-1/4	2-3/4	1/4	.249 ^{+0.004} / _{+0.000}	2.250 ^{-0.001} / _{-0.004}	2.577 ^{+0.010} / _{+0.000}	2.747 ^{+0.006} / _{+0.000}	11.92
ST-250-XL-PM	2-1/2	3	1/4	.249 ^{+0.004} / _{+0.000}	2.500 ^{-0.001} / _{-0.004}	2.827 ^{+0.010} / _{+0.000}	2.997 ^{+0.006} / _{+0.000}	13.24
ST-300-XL-PM	3	3-1/2	1/4	.249 ^{+0.004} / _{+0.000}	3.000 ^{-0.001} / _{-0.004}	3.327 ^{+0.010} / _{+0.000}	3.497 ^{+0.006} / _{+0.000}	14.32
ST-350-XL-PM	3-1/2	4	1/4	.249 ^{+0.004} / _{+0.000}	3.500 ^{-0.001} / _{-0.005}	3.827 ^{+0.010} / _{+0.000}	3.997 ^{+0.006} / _{+0.000}	16.27
ST-400-XL-PM	4	4-1/2	1/4	.249 ^{+0.004} / _{+0.000}	4.000 ^{-0.001} / _{-0.005}	4.327 ^{+0.010} / _{+0.000}	4.497 ^{+0.006} / _{+0.000}	21.28

STYLE ST-XLF URETHANE WIPER RINGS



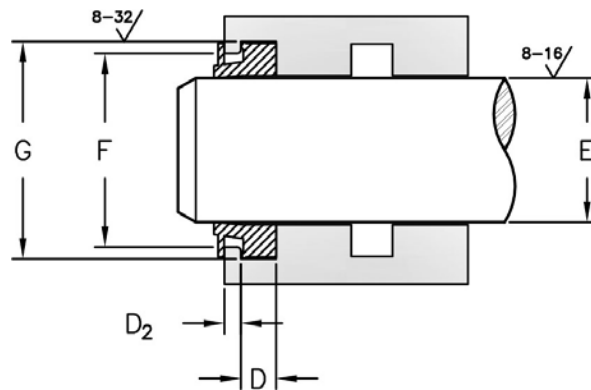
The ST-XLF wipers are designed to fit the standard ST wiper groove. These wipers include a dust lip to prevent contaminants from entering through the groove. They also have a ribbed inside diameter for low friction operation and to prevent pressure traps between the wiper and rod seal.



HERCULES PART NUMBERS

ST - 112 - XLF
 Prefix Size Extra Lip

SEAL INFORMATION	
MATERIAL	URETHANE
TEMPERATURE RANGE	-50°F TO +230°F
SPEED	12 FT/SEC

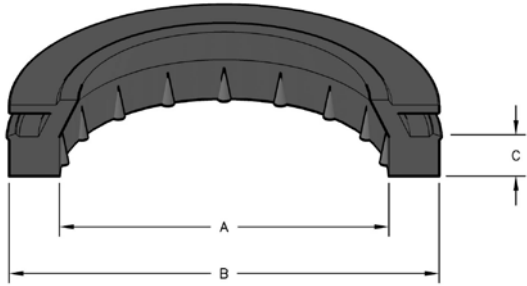


WIPER RINGS

Part Number	A Nom. ID	B Nom. OD	C Nom. Ht	D GROOVE WIDTH	E ROD DIAMETER	F THROAT DIAMETER	G HOUSING DIAMETER	D ₂ OUTER THROAT DEPTH	List Price
ST-112-XLF	1-1/8	1-1/2	.187	.187 ^{+0.004} / _{+0.000}	1.125 ^{-0.001} / _{-0.003}	1.375 ±0.005	1.500 ±0.003	.094 ^{+0.004} / _{+0.000}	\$12.19
ST-125-XLF	1-1/4	1-5/8	.187	.187 ^{+0.004} / _{+0.000}	1.250 ^{-0.001} / _{-0.003}	1.500 ±0.005	1.625 ±0.003	.094 ^{+0.004} / _{+0.000}	12.35
ST-137-XLF	1-3/8	1-3/4	.187	.187 ^{+0.004} / _{+0.000}	1.375 ^{-0.001} / _{-0.003}	1.625 ±0.005	1.750 ±0.003	.094 ^{+0.004} / _{+0.000}	12.65
ST-150-XLF	1-1/2	1-7/8	.187	.187 ^{+0.004} / _{+0.000}	1.500 ^{-0.001} / _{-0.003}	1.750 ±0.005	1.875 ±0.003	.094 ^{+0.004} / _{+0.000}	13.06
ST-175-XLF	1-3/4	2-1/8	.187	.187 ^{+0.004} / _{+0.000}	1.750 ^{-0.001} / _{-0.003}	2.000 ±0.005	2.125 ±0.003	.094 ^{+0.004} / _{+0.000}	13.52
ST-200-XLF	2	2-1/2	1/4	.250 ^{+0.004} / _{+0.000}	2.000 ^{-0.001} / _{-0.004}	2.332 ±0.005	2.500 ±0.003	.125 ^{+0.004} / _{+0.000}	15.35
ST-225-XLF	2-1/4	2-3/4	1/4	.250 ^{+0.004} / _{+0.000}	2.250 ^{-0.001} / _{-0.004}	2.582 ±0.005	2.750 ±0.003	.125 ^{+0.004} / _{+0.000}	16.00
ST-250-XLF	2-1/2	3	1/4	.250 ^{+0.004} / _{+0.000}	2.500 ^{-0.001} / _{-0.004}	2.832 ±0.005	3.000 ±0.003	.125 ^{+0.004} / _{+0.000}	16.77
ST-300-XLF	3	3-1/2	1/4	.250 ^{+0.004} / _{+0.000}	3.000 ^{-0.001} / _{-0.004}	3.332 ±0.005	3.500 ±0.003	.125 ^{+0.004} / _{+0.000}	17.84
ST-350-XLF	3-1/2	4	1/4	.250 ^{+0.004} / _{+0.000}	3.500 ^{-0.001} / _{-0.005}	3.832 ±0.005	4.000 ±0.003	.125 ^{+0.004} / _{+0.000}	18.88
ST-400-XLF	4	4-1/2	1/4	.250 ^{+0.004} / _{+0.000}	4.000 ^{-0.001} / _{-0.005}	4.332 ±0.005	4.500 ±0.003	.125 ^{+0.004} / _{+0.000}	20.61
ST-450-XLF	4-1/2	5-1/4	3/8	.375 ^{+0.004} / _{+0.000}	4.500 ^{-0.001} / _{-0.005}	4.832 ±0.005	5.250 ±0.003	.187 ^{+0.004} / _{+0.000}	23.16
ST-500-XLF	5	5-3/4	3/8	.375 ^{+0.004} / _{+0.000}	5.000 ^{-0.002} / _{-0.006}	5.498 ±0.005	5.750 ±0.003	.187 ^{+0.004} / _{+0.000}	28.61
ST-600-XLF	6	6-3/4	3/8	.375 ^{+0.004} / _{+0.000}	6.000 ^{-0.002} / _{-0.006}	6.498 ±0.005	6.750 ±0.003	.187 ^{+0.004} / _{+0.000}	34.52

STYLE ST-XLFT URETHANE WIPER RINGS

The ST-XLFT was developed for hard environments, particularly longwall mining. These wipers include a dust lip to prevent contaminants from entering through the groove. They also have a ribbed inside diameter for low friction operation and to prevent pressure traps between the wiper and rod seal.

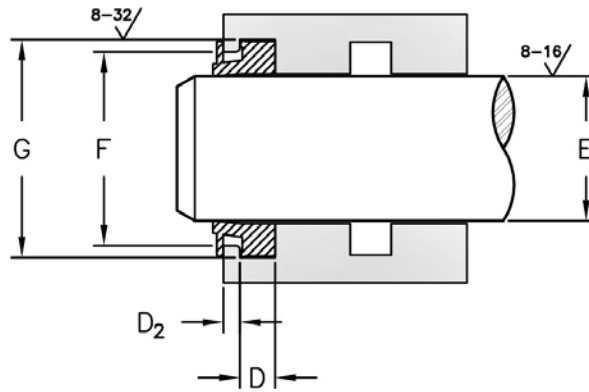


HERCULES PART NUMBERS

ST - 175 - XLFT
 Prefix Size Extra Lip

SEAL INFORMATION

MATERIAL	93A URETHANE
TEMPERATURE RANGE	-50°F - +230°F
SPEED	12 FT/SEC

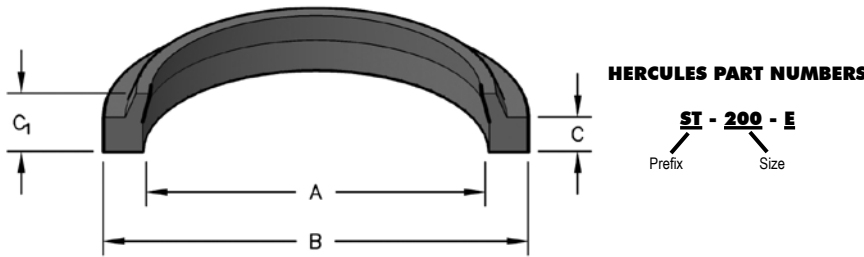


Part Number	A Nom. ID	B Nom. OD	C Nom. Ht	D GROOVE WIDTH	E ROD DIAMETER	F THROAT DIAMETER	G HOUSING DIAMETER	D ₂ OUTER THROAT DEPTH	List Price
ST-175-XLFT	1-3/4	2-1/8	.22	.220 ^{+0.008} / _{+0.000}	1.750 ^{-0.010} / _{-0.0034}	1.995 ^{+0.007} / _{+0.000}	2.125 ^{+0.007} / _{+0.000}	.079 ^{+0.004} / _{+0.000}	\$27.80
ST-200-XLFT	2	2-3/8	.22	.220 ^{+0.008} / _{+0.000}	2.000 ^{-0.012} / _{-0.0041}	2.245 ^{+0.008} / _{+0.000}	2.375 ^{+0.008} / _{+0.000}	.079 ^{+0.004} / _{+0.000}	27.51
ST-250-XLFT	2-1/2	2-7/8	.22	.220 ^{+0.008} / _{+0.000}	2.500 ^{-0.012} / _{-0.0041}	2.745 ^{+0.008} / _{+0.000}	2.875 ^{+0.008} / _{+0.000}	.079 ^{+0.004} / _{+0.000}	33.30
ST-300-XLFT	3	3-3/8	.22	.220 ^{+0.008} / _{+0.000}	3.000 ^{-0.012} / _{-0.0041}	3.245 ^{+0.009} / _{+0.000}	3.375 ^{+0.009} / _{+0.000}	.079 ^{+0.004} / _{+0.000}	36.78
ST-350-XLFT	3-1/2	3-7/8	.22	.220 ^{+0.008} / _{+0.000}	3.500 ^{-0.014} / _{-0.0048}	3.745 ^{+0.009} / _{+0.000}	3.875 ^{+0.009} / _{+0.000}	.079 ^{+0.004} / _{+0.000}	40.35
ST-362-XLFT	3-5/8	4	.22	.220 ^{+0.008} / _{+0.000}	3.625 ^{-0.014} / _{-0.0048}	3.870 ^{+0.009} / _{+0.000}	4.000 ^{+0.009} / _{+0.000}	.079 ^{+0.004} / _{+0.000}	45.56
ST-400-XLFT	4	4-3/8	.22	.220 ^{+0.008} / _{+0.000}	4.000 ^{-0.014} / _{-0.0048}	4.245 ^{+0.009} / _{+0.000}	4.375 ^{+0.009} / _{+0.000}	.079 ^{+0.004} / _{+0.000}	43.66
ST-500-XLFT	5	5-1/2	5/16	.312 ^{+0.008} / _{+0.000}	5.000 ^{-0.017} / _{-0.0056}	5.340 ^{+0.010} / _{+0.000}	5.500 ^{+0.010} / _{+0.000}	.080 ^{+0.004} / _{+0.000}	57.07
ST-525-XLFT	5-1/4	5-3/4	5/16	.312 ^{+0.008} / _{+0.000}	5.250 ^{-0.017} / _{-0.0056}	5.590 ^{+0.010} / _{+0.000}	5.750 ^{+0.010} / _{+0.000}	.080 ^{+0.004} / _{+0.000}	60.26
ST-600-XLFT	6	6-1/2	5/16	.312 ^{+0.008} / _{+0.000}	6.000 ^{-0.017} / _{-0.0056}	6.340 ^{+0.010} / _{+0.000}	6.500 ^{+0.010} / _{+0.000}	.080 ^{+0.004} / _{+0.000}	66.76
ST-700-XLFT	7	7-1/2	5/16	.312 ^{+0.008} / _{+0.000}	7.000 ^{-0.017} / _{-0.0056}	7.340 ^{+0.011} / _{+0.000}	7.500 ^{+0.011} / _{+0.000}	.080 ^{+0.004} / _{+0.000}	78.77
ST-703-XLFT	7	7-3/4	1/2	.500 ^{+0.008} / _{+0.000}	7.000 ^{-0.017} / _{-0.0056}	7.495 ^{+0.011} / _{+0.000}	7.750 ^{+0.011} / _{+0.000}	.100 ^{+0.004} / _{+0.000}	123.45
ST-800-XLFT	8	8-1/2	5/16	.312 ^{+0.008} / _{+0.000}	8.000 ^{-0.020} / _{-0.0065}	8.340 ^{+0.011} / _{+0.000}	8.500 ^{+0.011} / _{+0.000}	.080 ^{+0.004} / _{+0.000}	84.92

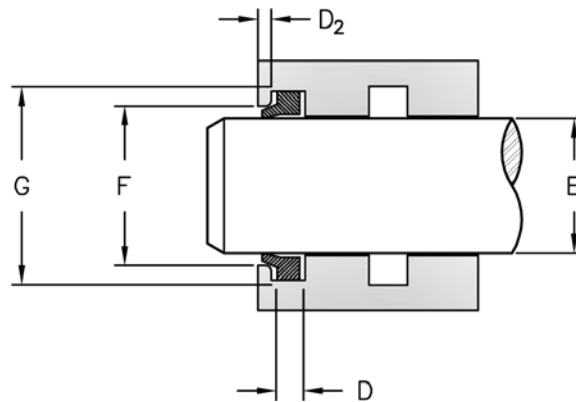
STYLE ST-E WIPER RINGS



Style ST-E is a light to medium duty urethane wiper ring with a square shoulder, similar to our standard ST style wipers but with different dimensions.



SEAL INFORMATION	
MATERIAL	URETHANE
TEMPERATURE RANGE	-31° TO +212° F
SPEED	3 FT/SEC

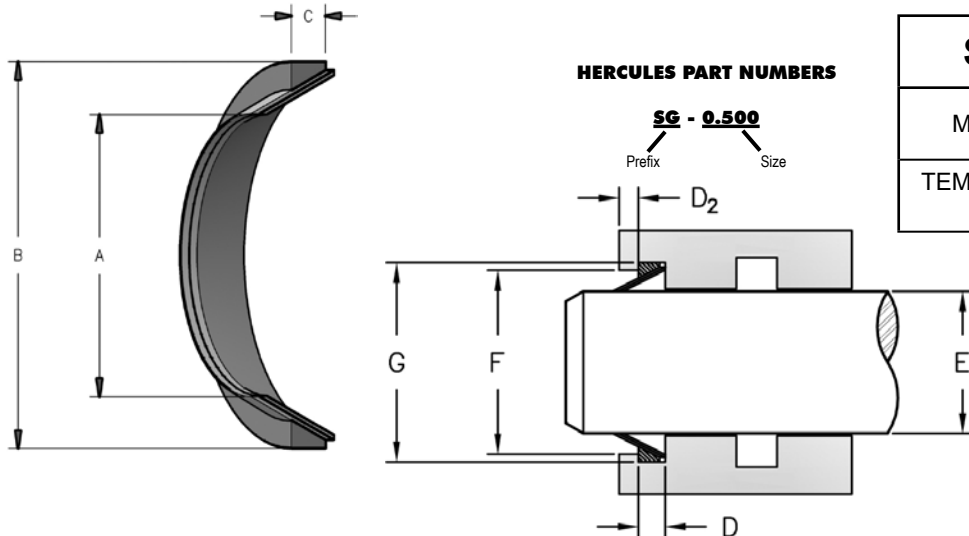


WIPER RINGS

Part Number	A Nom. ID	B Nom. OD	C Nom. Ht	C ₁ OVERALL HEIGHT	D GROOVE WIDTH	E ROD DIAMETER	F THROAT DIAMETER	G HOUSING DIAMETER	D ₂ OUTER THROAT DEPTH	List Price
ST-200-E	2	2.46	3/16	.3125	.187 ^{+0.004} / _{+0.000}	2.000 ^{-0.0012} / _{-0.0041}	2.230 ^{+0.008} / _{+0.000}	2.460 ^{+0.008} / _{+0.000}	.250	\$61.67
ST-275-E	2-3/4	3-3/16	3/16	.3125	.187 ^{+0.004} / _{+0.000}	2.750 ^{-0.0012} / _{-0.0041}	2.980 ^{+0.008} / _{+0.000}	3.1875 ^{+0.008} / _{+0.000}	.250	23.63
ST-300-E	3	3-1/2	3/16	.3125	.187 ^{+0.004} / _{+0.000}	3.000 ^{-0.0012} / _{-0.0041}	3.278 ^{+0.008} / _{+0.000}	3.500 ^{+0.008} / _{+0.000}	.3125	30.25
ST-350-E	3-1/2	4-1/16	3/16	.3125	.187 ^{+0.004} / _{+0.000}	3.500 ^{-0.0014} / _{-0.0048}	3.850 ^{+0.008} / _{+0.000}	4.0625 ^{+0.008} / _{+0.000}	.395	32.13
ST-362-E	3-5/8	4-3/16	3/16	.3125	.187 ^{+0.004} / _{+0.000}	3.625 ^{-0.0014} / _{-0.0048}	3.950 ^{+0.008} / _{+0.000}	4.1875 ^{+0.008} / _{+0.000}	.375	33.53
ST-437-E	4-3/8	4.9	3/16	.3125	.187 ^{+0.004} / _{+0.000}	4.375 ^{-0.0014} / _{-0.0048}	4.697 ^{+0.008} / _{+0.000}	4.900 ^{+0.008} / _{+0.000}	.346	35.67
ST-525-E	5-1/4	5.84	3/16	.3125	.187 ^{+0.004} / _{+0.000}	5.250 ^{-0.0017} / _{-0.0056}	5.602 ^{+0.008} / _{+0.000}	5.840 ^{+0.008} / _{+0.000}	.407	40.16
ST-631-E	6-5/16	6.9	3/16	.3125	.187 ^{+0.004} / _{+0.000}	6.312 ^{-0.0017} / _{-0.0056}	6.665 ^{+0.008} / _{+0.000}	6.900 ^{+0.008} / _{+0.000}	.407	47.50
ST-731-E	7-5/16	7.9	3/16	.3125	.187 ^{+0.004} / _{+0.000}	7.312 ^{-0.0020} / _{-0.0065}	7.665 ^{+0.008} / _{+0.000}	7.900 ^{+0.008} / _{+0.000}	.407	52.22

STYLE SG - "SEAL GUARD" METALLIC ROD WIPERS

Each Seal Guard Wiper consists of two flexible bronze rings which are held in place by a nitrile cushion ring. The cushion ring absorbs side loads and energizes the wiper to maintain close contact with the rod. Particularly suited for hostile environments, seal guard wipers shave off sand, grift, slag, flux, paint, moisture, chips and slivers. Seal Guard Wipers are long-lasting, self-adjusting, and offer low friction. Seal Guard Wipers can be installed in standard Hercules® Sealing Products "ST" or "D" Style grooves by increasing the "F" gland dimension to the "F" Throat Diameter shown.



SEAL INFORMATION	
MATERIAL	660 BRONZE 70A NITRILE
TEMPERATURE RANGE	-40° TO +240° F

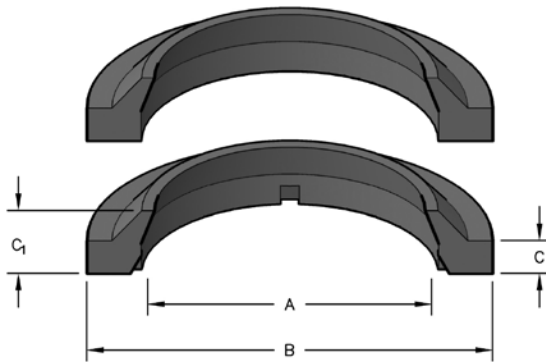
WIPER RINGS

Part Number	A Nom. ID	B Nom. OD	C Nom. Ht	D GROOVE WIDTH	E ROD DIAMETER	F THROAT DIAMETER	G HOUSING DIAMETER	D ₂ OUTER THROAT DEPTH	List Price
SG-0.500	1/2	3/4	1/8	.124 +.004 +.000	.500 +.001 -.002	.704 +.000 -.010	.747 +.006 +.000	.018 +.015 +.000	\$31.35
SG-0.625	5/8	7/8	1/8	.124 +.004 +.000	.625 +.001 -.002	.829 +.000 -.010	.872 +.006 +.000	.018 +.015 +.000	37.25
SG-0.750	3/4	1-1/8	3/16	.187 +.004 +.000	.750 +.001 -.002	1.072 +.000 -.010	1.122 +.006 +.000	.022 +.015 +.000	31.93
SG-0.875	7/8	1-1/4	3/16	.187 +.004 +.000	.875 +.001 -.002	1.197 +.000 -.010	1.247 +.006 +.000	.022 +.015 +.000	33.26
SG-1.000	1	1-3/8	3/16	.187 +.004 +.000	1.000 +.001 -.002	1.322 +.000 -.010	1.372 +.006 +.000	.022 +.015 +.000	34.93
SG-1.125	1-1/8	1-1/2	3/16	.187 +.004 +.000	1.125 +.001 -.002	1.447 +.000 -.010	1.497 +.006 +.000	.022 +.015 +.000	39.24
SG-1.250	1-1/4	1-5/8	3/16	.187 +.004 +.000	1.250 +.001 -.002	1.572 +.000 -.010	1.622 +.006 +.000	.022 +.015 +.000	43.56
SG-1.375	1-3/8	1-3/4	3/16	.187 +.004 +.000	1.375 +.001 -.002	1.697 +.000 -.010	1.747 +.006 +.000	.022 +.015 +.000	47.87
SG-1.500	1-1/2	1-7/8	3/16	.187 +.004 +.000	1.500 +.001 -.002	1.822 +.000 -.010	1.872 +.006 +.000	.022 +.015 +.000	52.30
SG-1.625	1-5/8	2	3/16	.187 +.004 +.000	1.625 +.001 -.002	1.947 +.000 -.010	1.997 +.006 +.000	.022 +.015 +.000	59.38
SG-1.750	1-3/4	2-1/8	3/16	.187 +.004 +.000	1.750 +.001 -.002	2.072 +.000 -.010	2.122 +.006 +.000	.022 +.015 +.000	60.87
SG-2.000	2	2-1/2	1/4	.249 +.004 +.000	2.000 +.001 -.002	2.430 +.000 -.010	2.497 +.006 +.000	.030 +.015 +.000	71.04
SG-2.250	2-1/4	2-3/4	1/4	.249 +.004 +.000	2.250 +.001 -.002	2.680 +.000 -.010	2.747 +.006 +.000	.030 +.015 +.000	79.60
SG-2.500	2-1/2	3	1/4	.249 +.004 +.000	2.500 +.001 -.002	2.930 +.000 -.010	2.997 +.006 +.000	.030 +.015 +.000	88.39
SG-3.000	3	3-1/2	1/4	.249 +.004 +.000	3.000 +.001 -.002	3.430 +.000 -.010	3.497 +.006 +.000	.030 +.015 +.000	106.93
SG-3.500	3-1/2	4	1/4	.249 +.004 +.000	3.500 +.001 -.002	3.930 +.000 -.010	3.997 +.006 +.000	.030 +.015 +.000	178.30
SG-4.000	4	4-1/2	1/4	.249 +.004 +.000	4.000 +.001 -.002	4.430 +.000 -.010	4.497 +.006 +.000	.030 +.015 +.000	212.90

STYLE AN URETHANE WIPER RINGS



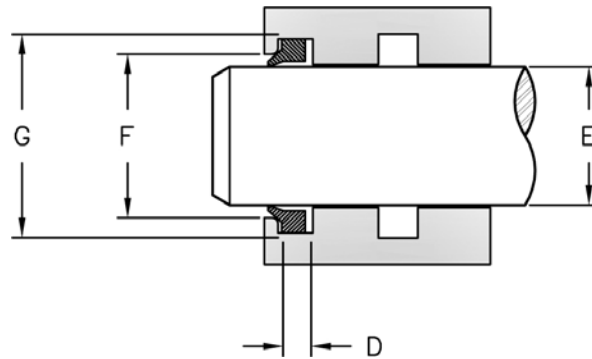
Suffix "SH" designates slotted heel design, "V" designates fluorocarbon material, and "B" designates carboxilated nitrile material.



HERCULES PART NUMBERS

AN - 01
Prefix Size

SEAL INFORMATION	
MATERIAL	90A URETHANE
TEMPERATURE RANGE	-40° TO +200° F
SPEED	3 FT/SEC



WIPER RINGS

Part Number	A Nom. ID	B Nom. OD	C Nom. Ht	C ₁ OVERALL HEIGHT	D GROOVE WIDTH	E ROD DIAMETER	F THROAT DIAMETER	G HOUSING DIAMETER	th THICKNESS	List Price
AN-01	1/2	3/4	7/64	.187	.107 ±.003	.500 ^{+0.000} _{-.002}	.647 ^{+0.005} _{+.000}	.760 ^{+0.004} _{+.000}	.104	\$ 1.90
AN-01-SH	1/2	3/4	7/64	.187	.107 ±.003	.500 ^{+0.000} _{-.002}	.647 ^{+0.005} _{+.000}	.760 ^{+0.004} _{+.000}	.104	1.90
AN-02	9/16	13/16	7/64	.187	.107 ±.003	.562 ^{+0.000} _{-.002}	.710 ^{+0.005} _{+.000}	.823 ^{+0.004} _{+.000}	.104	1.90
AN-03	5/8	7/8	7/64	.187	.107 ±.003	.625 ^{+0.000} _{-.002}	.772 ^{+0.005} _{+.000}	.885 ^{+0.004} _{+.000}	.104	1.90
AN-03-SH	5/8	7/8	7/64	.187	.107 ±.003	.625 ^{+0.000} _{-.002}	.772 ^{+0.005} _{+.000}	.885 ^{+0.004} _{+.000}	.104	1.90
AN-04	11/16	15/16	7/64	.187	.107 ±.003	.687 ^{+0.000} _{-.002}	.834 ^{+0.005} _{+.000}	.948 ^{+0.004} _{+.000}	.104	1.90
AN-05	3/4	1	7/64	.187	.107 ±.003	.750 ^{+0.000} _{-.002}	.897 ^{+0.005} _{+.000}	1.010 ^{+0.004} _{+.000}	.104	1.90
AN-05-N	3/4	1	7/64	.187	.107 ±.003	.750 ^{+0.000} _{-.002}	.897 ^{+0.005} _{+.000}	1.010 ^{+0.004} _{+.000}	.104	5.39
AN-05-SH	3/4	1	7/64	.187	.107 ±.003	.750 ^{+0.000} _{-.002}	.897 ^{+0.005} _{+.000}	1.010 ^{+0.004} _{+.000}	.104	1.90
AN-05V	3/4	1	7/64	.187	.107 ±.003	.750 ^{+0.000} _{-.002}	.897 ^{+0.005} _{+.000}	1.010 ^{+0.004} _{+.000}	.104	16.52
AN-06	13/16	1-1/16	7/64	.187	.107 ±.003	.812 ^{+0.000} _{-.002}	.960 ^{+0.005} _{+.000}	1.084 ^{+0.004} _{+.000}	.104	2.03
AN-06-SH	13/16	1-1/16	7/64	.187	.107 ±.003	.812 ^{+0.000} _{-.002}	.960 ^{+0.005} _{+.000}	1.084 ^{+0.004} _{+.000}	.104	2.03
AN-07	7/8	1-1/8	7/64	.187	.107 ±.003	.875 ^{+0.000} _{-.002}	1.023 ^{+0.005} _{+.000}	1.147 ^{+0.004} _{+.000}	.104	2.03
AN-07-SH	7/8	1-1/8	7/64	.187	.107 ±.003	.875 ^{+0.000} _{-.002}	1.023 ^{+0.005} _{+.000}	1.147 ^{+0.004} _{+.000}	.104	2.03



STYLE AN URETHANE WIPER RINGS

WIPER RINGS

Part Number	A Nom. ID	B Nom. OD	C Nom. Ht	C ₁ OVERALL HEIGHT	D GROOVE WIDTH	E ROD DIAMETER	F THROAT DIAMETER	G HOUSING DIAMETER	th THICKNESS	List Price
AN-07A	7/8	1-1/8	7/64	.140	.107 ±.003	.875 ^{+0.00} _{-.002}	1.023 ^{+0.05} _{+0.00}	1.118 ^{+0.04} _{+0.00}	.104	4.05
AN-07A-T	7/8	1-1/8	7/64	.140	.107 ±.003	.875 ^{+0.00} _{-.002}	1.023 ^{+0.05} _{+0.00}	1.118 ^{+0.04} _{+0.00}	.104	24.28
AN-07-XL	7/8	1.147	.104	.187	.107 ^{+0.003} _{+0.000}	.875 ^{-0.008} _{-.0028}	1.023 ^{+0.05} _{+0.00}	1.147 ^{+0.04} _{+0.00}	.104	2.03
AN-08	15/16	1-3/16	7/64	.187	.107 ±.003	.937 ^{+0.00} _{-.002}	1.085 ^{+0.05} _{+0.00}	1.209 ^{+0.04} _{+0.00}	.104	2.03
AN-09	1	1-1/4	7/64	.187	.107 ±.003	1.000 ^{+0.00} _{-.002}	1.148 ^{+0.05} _{+0.00}	1.272 ^{+0.04} _{+0.00}	.104	2.03
AN-09-SH	1	1-1/4	7/64	.187	.107 ±.003	1.000 ^{+0.00} _{-.002}	1.148 ^{+0.05} _{+0.00}	1.272 ^{+0.04} _{+0.00}	.104	2.03
AN-09B	1	1-1/4	7/64	.187	.107 ±.003	1.000 ^{+0.00} _{-.002}	.148 ^{+0.05} _{+0.00}	1.272 ^{+0.04} _{+0.00}	.104	5.56
AN-09V	1	1-1/4	7/64	.187	.107 ±.003	1.000 ^{+0.00} _{-.002}	1.148 ^{+0.05} _{+0.00}	1.272 ^{+0.04} _{+0.00}	.104	26.42
AN-10	1-1/16	1-5/16	7/64	.187	.107 ±.003	1.062 ^{+0.00} _{-.002}	1.210 ^{+0.05} _{+0.00}	1.334 ^{+0.04} _{+0.00}	.104	2.03
AN-11	1-1/8	1-3/8	7/64	.187	.107 ±.003	1.125 ^{+0.00} _{-.002}	1.273 ^{+0.05} _{+0.00}	1.397 ^{+0.04} _{+0.00}	.104	2.11
AN-11-SH	1-1/8	1-3/8	7/64	.187	.107 ±.003	1.125 ^{+0.00} _{-.002}	1.273 ^{+0.05} _{+0.00}	1.397 ^{+0.04} _{+0.00}	.104	2.11
AN-12	1-3/16	1-7/16	7/64	.187	.107 ±.003	1.187 ^{+0.00} _{-.002}	1.335 ^{+0.05} _{+0.00}	1.459 ^{+0.04} _{+0.00}	.104	2.11
AN-13B	1-1/4	1-1/2	.104	.150	.107 ±.003	1.250 ^{+0.00} _{-.002}	1.398 ^{+0.05} _{+0.00}	1.522 ^{+0.04} _{+0.00}	.104	12.27
AN-13	1-1/4	1-1/2	7/64	.187	.107 ±.003	1.250 ^{+0.00} _{-.002}	1.398 ^{+0.05} _{+0.00}	1.522 ^{+0.04} _{+0.00}	.104	2.18
AN-13-SH	1-1/4	1-1/2	7/64	.187	.107 ±.003	1.250 ^{+0.00} _{-.002}	1.398 ^{+0.05} _{+0.00}	1.522 ^{+0.04} _{+0.00}	.104	2.18
AN-13-XL	1-1/4	1-1/2	7/64	.187	.107 ^{+0.003} _{+0.000}	1.250 ^{-0.001} _{-.003}	1.398 ^{+0.05} _{+0.00}	1.522 ^{+0.04} _{+0.00}	.107	2.13
AN-13V	1-1/4	1-1/2	7/64	.187	.107 ±.003	1.250 ^{+0.00} _{-.002}	1.398 ^{+0.05} _{+0.00}	1.522 ^{+0.04} _{+0.00}	.104	19.06
AN-14	1-5/16	1-5/8	7/64	.187	.107 ±.003	1.312 ^{+0.00} _{-.002}	1.480 ^{+0.05} _{+0.00}	1.614 ^{+0.04} _{+0.00}	.104	2.18
AN-15	1-3/8	1-11/16	7/64	.187	.107 ±.003	1.375 ^{+0.00} _{-.002}	1.542 ^{+0.05} _{+0.00}	1.677 ^{+0.04} _{+0.00}	.104	2.91
AN-15-SH	1-3/8	1-11/16	7/64	.187	.107 ±.003	1.375 ^{+0.00} _{-.002}	1.542 ^{+0.05} _{+0.00}	1.677 ^{+0.04} _{+0.00}	.104	2.91
AN-15V	1-3/8	1-11/16	7/64	.187	.107 ±.003	1.375 ^{+0.00} _{-.002}	1.542 ^{+0.05} _{+0.00}	1.677 ^{+0.04} _{+0.00}	.104	28.23
AN-16	1-7/16	1-3/4	7/64	.187	.107 ±.003	1.437 ^{+0.00} _{-.002}	1.605 ^{+0.05} _{+0.00}	1.739 ^{+0.04} _{+0.00}	.104	3.22
AN-17A	1-1/2	1-3/4	7/64	.140	.107 ±.003	1.500 ^{+0.00} _{-.002}	1.668 ^{+0.05} _{+0.00}	1.738 ^{+0.05} _{+0.00}	.104	6.50
AN-17-XL	1-1/2	1.802	.107	.187	.107 ^{+0.003} _{+0.000}	1.500 ^{-0.001} _{-.003}	1.668 ^{+0.05} _{+0.00}	1.802 ^{+0.04} _{+0.00}	.104	3.42
AN-17	1-1/2	1-13/16	7/64	.187	.107 ±.003	1.500 ^{+0.00} _{-.002}	1.668 ^{+0.05} _{+0.00}	1.802 ^{+0.04} _{+0.00}	.104	3.27
AN-17-SH	1-1/2	1-13/16	7/64	.187	.107 ±.003	1.500 ^{+0.00} _{-.002}	1.668 ^{+0.05} _{+0.00}	1.802 ^{+0.04} _{+0.00}	.104	3.27
AN-17V	1-1/2	1-13/16	7/64	.187	.107 ±.003	1.500 ^{+0.00} _{-.002}	1.668 ^{+0.05} _{+0.00}	1.802 ^{+0.04} _{+0.00}	.104	23.29
AN-18	1-5/8	1-15/16	7/64	.187	.107 ±.003	1.625 ^{+0.00} _{-.002}	1.793 ^{+0.05} _{+0.00}	1.927 ^{+0.04} _{+0.00}	.104	3.41
AN-18-SH	1-5/8	1-15/16	7/64	.187	.107 ±.003	1.625 ^{+0.00} _{-.002}	1.793 ^{+0.05} _{+0.00}	1.927 ^{+0.04} _{+0.00}	.104	3.41
AN-19-XL	1-3/4	2.052	.107	.187	.107 ^{+0.003} _{+0.000}	1.750 ^{-0.001} _{-.003}	1.918 ^{+0.05} _{+0.00}	2.052 ^{+0.04} _{+0.00}	.104	3.58

STYLE AN URETHANE WIPER RINGS



Part Number	A Nom. ID	B Nom. OD	C Nom. Ht	C ₁ OVERALL HEIGHT	D GROOVE WIDTH	E ROD DIAMETER	F THROAT DIAMETER	G HOUSING DIAMETER	th THICKNESS	List Price
AN-19	1-3/4	2-1/16	7/64	.187	.107 ±.003	1.750 ^{+0.000} / _{-.002}	1.918 ^{+0.005} / _{+0.000}	2.052 ^{+0.004} / _{+0.000}	.104	3.41
AN-19-SH	1-3/4	2-1/16	7/64	.187	.107 ±.003	1.750 ^{+0.000} / _{-.002}	1.918 ^{+0.005} / _{+0.000}	2.052 ^{+0.004} / _{+0.000}	.104	3.41
AN-20	1-7/8	2-3/16	7/64	.187	.107 ±.003	1.875 ^{+0.000} / _{-.002}	2.043 ^{+0.005} / _{+0.000}	2.177 ^{+0.004} / _{+0.000}	.104	3.48
AN-21	2	2-5/16	7/64	.187	.107 ±.003	2.000 ^{+0.000} / _{-.002}	2.178 ^{+0.005} / _{+0.000}	2.302 ^{+0.004} / _{+0.000}	.104	3.48
AN-21-SH	2	2-5/16	7/64	.187	.107 ±.003	2.000 ^{+0.000} / _{-.002}	2.178 ^{+0.005} / _{+0.000}	2.302 ^{+0.004} / _{+0.000}	.104	3.48
AN-21V	2	2-5/16	7/64	.187	.107 ±.003	2.000 ^{+0.000} / _{-.002}	2.178 ^{+0.005} / _{+0.000}	2.302 ^{+0.004} / _{+0.000}	.104	29.32
AN-22	2-1/8	2-7/16	7/64	.187	.107 ±.003	2.125 ^{+0.000} / _{-.003}	2.303 ^{+0.005} / _{+0.000}	2.427 ^{+0.004} / _{+0.000}	.104	3.57
AN-22-SH	2-1/8	2-7/16	7/64	.187	.107 ±.003	2.125 ^{+0.000} / _{-.003}	2.303 ^{+0.005} / _{+0.000}	2.427 ^{+0.004} / _{+0.000}	.104	3.57
AN-23	2-1/4	2-9/16	7/64	.187	.107 ±.003	2.250 ^{+0.000} / _{-.003}	2.428 ^{+0.005} / _{+0.000}	2.552 ^{+0.004} / _{+0.000}	.104	3.69
AN-23-SH	2-1/4	2-9/16	7/64	.187	.107 ±.003	2.250 ^{+0.000} / _{-.003}	2.428 ^{+0.005} / _{+0.000}	2.552 ^{+0.004} / _{+0.000}	.104	3.69
AN-23B	2-1/4	2-9/16	7/64	.187	.107 ±.003	2.250 ^{+0.0000} / _{-.0029}	2.428 ^{+0.005} / _{+0.000}	2.552 ^{+0.004} / _{+0.000}	.104	20.37
AN-24	2-3/8	2-11/16	7/64	.187	.107 ±.003	2.375 ^{+0.000} / _{-.003}	2.553 ^{+0.005} / _{+0.000}	2.677 ^{+0.004} / _{+0.000}	.104	3.82
AN-25	2-1/2	2-13/16	7/64	.187	.107 ±.003	2.500 ^{+0.000} / _{-.003}	2.678 ^{+0.005} / _{+0.000}	2.802 ^{+0.004} / _{+0.000}	.104	4.18
AN-25-SH	2-1/2	2-13/16	7/64	.187	.107 ±.003	2.500 ^{+0.000} / _{-.003}	2.678 ^{+0.005} / _{+0.000}	2.802 ^{+0.004} / _{+0.000}	.104	3.35
AN-25V	2-1/2	2-13/16	7/64	.187	.107 ±.003	2.500 ^{+0.000} / _{-.003}	2.678 ^{+0.005} / _{+0.000}	2.802 ^{+0.004} / _{+0.000}	.104	26.44
AN-26	2-5/8	3	1/8	.211	.122 ±.003	2.625 ^{+0.000} / _{-.003}	2.834 ^{+0.005} / _{+0.000}	2.989 ^{+0.004} / _{+0.000}	.119	4.28
AN-26-SH	2-5/8	3	1/8	.211	.122 ±.003	2.625 ^{+0.000} / _{-.003}	2.834 ^{+0.005} / _{+0.000}	2.989 ^{+0.004} / _{+0.000}	.119	4.28
AN-27	2-3/4	3-1/8	1/8	.211	.122 ±.003	2.750 ^{+0.000} / _{-.003}	2.959 ^{+0.005} / _{+0.000}	3.114 ^{+0.004} / _{+0.000}	.119	4.42
AN-27-SH	2-3/4	3-1/8	1/8	.211	.122 ±.003	2.750 ^{+0.000} / _{-.003}	2.959 ^{+0.005} / _{+0.000}	3.114 ^{+0.004} / _{+0.000}	.119	4.42
AN-28	2-7/8	3-1/4	1/8	.211	.122 ±.003	2.875 ^{+0.000} / _{-.003}	3.084 ^{+0.005} / _{+0.000}	3.239 ^{+0.004} / _{+0.000}	.119	5.15
AN-28-SH	2-7/8	3-1/4	1/8	.211	.122 ±.003	2.875 ^{+0.000} / _{-.003}	3.084 ^{+0.005} / _{+0.000}	3.239 ^{+0.004} / _{+0.000}	.119	5.15
AN-29	3	3-3/8	1/8	.211	.122 ±.003	3.000 ^{+0.000} / _{-.003}	3.209 ^{+0.005} / _{+0.000}	3.364 ^{+0.004} / _{+0.000}	.119	5.15
AN-29-SH	3	3-3/8	1/8	.211	.122 ±.003	3.000 ^{+0.000} / _{-.003}	3.209 ^{+0.005} / _{+0.000}	3.364 ^{+0.004} / _{+0.000}	.119	5.15
AN-30	3-1/8	3-1/2	1/8	.211	.122 ±.003	3.125 ^{+0.000} / _{-.003}	3.334 ^{+0.005} / _{+0.000}	3.489 ^{+0.004} / _{+0.000}	.119	5.15
AN-31	3-1/4	3-5/8	1/8	.211	.122 ±.003	3.250 ^{+0.000} / _{-.003}	3.459 ^{+0.005} / _{+0.000}	3.614 ^{+0.004} / _{+0.000}	.119	6.05
AN-31-SH	3-1/4	3-5/8	1/8	.211	.122 ±.003	3.250 ^{+0.000} / _{-.003}	3.459 ^{+0.005} / _{+0.000}	3.614 ^{+0.004} / _{+0.000}	.119	6.76
AN-32	3-3/8	3-3/4	1/8	.211	.122 ±.003	3.375 ^{+0.000} / _{-.003}	3.584 ^{+0.005} / _{+0.000}	3.739 ^{+0.004} / _{+0.000}	.119	6.10
AN-33	3-1/2	3-7/8	1/8	.211	.122 ±.003	3.500 ^{+0.000} / _{-.003}	3.709 ^{+0.005} / _{+0.000}	3.864 ^{+0.004} / _{+0.000}	.119	6.20
AN-33-SH	3-1/2	3-7/8	1/8	.211	.122 ±.003	3.500 ^{+0.000} / _{-.003}	3.709 ^{+0.005} / _{+0.000}	3.864 ^{+0.004} / _{+0.000}	.119	6.20
AN-34	3-5/8	4	1/8	.211	.122 ±.003	3.625 ^{+0.000} / _{-.003}	3.834 ^{+0.005} / _{+0.000}	3.989 ^{+0.004} / _{+0.000}	.119	6.30

WIPER RINGS



STYLE AN URETHANE WIPER RINGS

WIPER RINGS

Part Number	A Nom. ID	B Nom. OD	C Nom. Ht	C ₁ OVERALL HEIGHT	D GROOVE WIDTH	E ROD DIAMETER	F THROAT DIAMETER	G HOUSING DIAMETER	th THICKNESS	List Price
AN-35	3-3/4	4-1/8	1/8	.211	.122 ±.003	3.750 ^{+0.000} / _{-.003}	3.959 ^{+0.005} / _{+0.000}	4.114 ^{+0.004} / _{+0.000}	.119	6.56
AN-35-SH	3-3/4	4-1/8	1/8	.211	.122 ±.003	3.750 ^{+0.000} / _{-.003}	3.959 ^{+0.005} / _{+0.000}	4.114 ^{+0.004} / _{+0.000}	.119	6.56
AN-36	3-7/8	4-1/4	1/8	.211	.122 ±.003	3.875 ^{+0.000} / _{-.003}	4.084 ^{+0.005} / _{+0.000}	4.239 ^{+0.004} / _{+0.000}	.119	6.70
AN-37	4	4-7/16	9/64	.238	.138 ±.003	4.000 ^{+0.000} / _{-.003}	4.240 ^{+0.005} / _{+0.000}	4.427 ^{+0.004} / _{+0.000}	.135	6.90
AN-37-SH	4	4-7/16	9/64	.238	.138 ±.003	4.000 ^{+0.000} / _{-.003}	4.240 ^{+0.005} / _{+0.000}	4.427 ^{+0.004} / _{+0.000}	.135	6.90
AN-37V	4	4-7/16	9/64	.238	.138 ±.003	4.000 ^{+0.000} / _{-.003}	4.240 ^{+0.005} / _{+0.000}	4.427 ^{+0.004} / _{+0.000}	.135	46.80
AN-38	4-1/8	4-9/16	9/64	.238	.138 ±.003	4.125 ^{+0.000} / _{-.003}	4.365 ^{+0.005} / _{+0.000}	4.552 ^{+0.004} / _{+0.000}	.135	7.12
AN-39	4-1/4	4-11/16	9/64	.238	.138 ±.003	4.250 ^{+0.000} / _{-.003}	4.490 ^{+0.005} / _{+0.000}	4.677 ^{+0.004} / _{+0.000}	.135	7.29
AN-40	4-3/8	4-13/16	9/64	.238	.138 ±.003	4.375 ^{+0.000} / _{-.003}	4.615 ^{+0.005} / _{+0.000}	4.802 ^{+0.004} / _{+0.000}	.135	7.40
AN-41	4-1/2	4-15/16	9/64	.238	.138 ±.003	4.500 ^{+0.000} / _{-.003}	4.740 ^{+0.005} / _{+0.000}	4.927 ^{+0.004} / _{+0.000}	.135	7.49
AN-41-SH	4-1/2	4-15/16	9/64	.238	.138 ±.003	4.500 ^{+0.000} / _{-.003}	4.740 ^{+0.005} / _{+0.000}	4.927 ^{+0.004} / _{+0.000}	.135	10.45
AN-42	4-5/8	5-1/16	9/64	.238	.138 ±.003	4.625 ^{+0.000} / _{-.003}	4.865 ^{+0.005} / _{+0.000}	5.052 ^{+0.004} / _{+0.000}	.135	7.55
AN-43	4-3/4	5-3/16	9/64	.238	.138 ±.003	4.750 ^{+0.000} / _{-.003}	4.990 ^{+0.005} / _{+0.000}	5.177 ^{+0.004} / _{+0.000}	.135	7.79
AN-44	4-7/8	5-5/16	9/64	.238	.138 ±.003	4.875 ^{+0.000} / _{-.003}	5.115 ^{+0.005} / _{+0.000}	5.302 ^{+0.004} / _{+0.000}	.135	7.96
AN-45	5	5-7/16	9/64	.238	.138 ±.003	5.000 ^{+0.000} / _{-.003}	5.240 ^{+0.005} / _{+0.000}	5.427 ^{+0.004} / _{+0.000}	.135	9.19
AN-45-SH	5	5-7/16	9/64	.238	.138 ±.003	5.000 ^{+0.000} / _{-.003}	5.240 ^{+0.005} / _{+0.000}	5.427 ^{+0.004} / _{+0.000}	.135	9.19
AN-46	5-1/8	5-9/16	9/64	.238	.138 ±.003	5.125 ^{+0.000} / _{-.003}	5.365 ^{+0.005} / _{+0.000}	5.552 ^{+0.004} / _{+0.000}	.135	9.31
AN-47	5-1/4	5-11/16	9/64	.238	.138 ±.003	5.250 ^{+0.000} / _{-.003}	5.490 ^{+0.005} / _{+0.000}	5.677 ^{+0.004} / _{+0.000}	.135	9.31
AN-48	5-3/8	5-13/16	9/64	.238	.138 ±.003	5.375 ^{+0.000} / _{-.003}	5.615 ^{+0.005} / _{+0.000}	5.802 ^{+0.004} / _{+0.000}	.135	9.44
AN-49	5-1/2	5-15/16	9/64	.238	.138 ±.003	5.500 ^{+0.000} / _{-.003}	5.740 ^{+0.005} / _{+0.000}	5.927 ^{+0.004} / _{+0.000}	.135	9.61
AN-50	5-5/8	6-1/8	5/32	.264	.154 ±.003	5.625 ^{+0.000} / _{-.003}	5.896 ^{+0.005} / _{+0.000}	6.114 ^{+0.004} / _{+0.000}	.151	10.54
AN-51	5-3/4	6-1/4	5/32	.264	.154 ±.003	5.750 ^{+0.000} / _{-.003}	6.022 ^{+0.005} / _{+0.000}	6.239 ^{+0.004} / _{+0.000}	.151	11.15
AN-52	5-7/8	6-3/8	5/32	.264	.154 ±.003	5.875 ^{+0.000} / _{-.003}	6.146 ^{+0.005} / _{+0.000}	6.364 ^{+0.004} / _{+0.000}	.151	11.34
AN-53	6	6-1/2	5/32	.264	.154 ±.003	6.000 ^{+0.000} / _{-.003}	6.272 ^{+0.005} / _{+0.000}	6.489 ^{+0.004} / _{+0.000}	.151	11.68
AN-54	6-1/4	6-3/4	5/32	.264	.154 ±.003	6.250 ^{+0.000} / _{-.003}	6.522 ^{+0.005} / _{+0.000}	6.739 ^{+0.004} / _{+0.000}	.151	12.08
AN-55	6-1/2	7	5/32	.264	.154 ±.003	6.500 ^{+0.000} / _{-.004}	6.772 ^{+0.005} / _{+0.000}	6.989 ^{+0.005} / _{+0.000}	.151	12.34
AN-56	6-3/4	7-1/4	5/32	.264	.154 ±.003	6.750 ^{+0.000} / _{-.004}	7.022 ^{+0.005} / _{+0.000}	7.239 ^{+0.005} / _{+0.000}	.151	12.57
AN-57	7	7-1/2	5/32	.264	.154 ±.003	7.000 ^{+0.000} / _{-.004}	7.272 ^{+0.005} / _{+0.000}	7.489 ^{+0.005} / _{+0.000}	.151	12.91
AN-58	7-1/4	7-3/4	5/32	.264	.154 ±.003	7.250 ^{+0.000} / _{-.004}	7.522 ^{+0.005} / _{+0.000}	7.739 ^{+0.005} / _{+0.000}	.151	18.25
AN-59	7-1/2	8	5/32	.264	.154 ±.003	7.500 ^{+0.000} / _{-.004}	7.772 ^{+0.005} / _{+0.000}	7.989 ^{+0.005} / _{+0.000}	.151	17.80

STYLE AN URETHANE WIPER RINGS



WIPER RINGS

Part Number	A Nom. ID	B Nom. OD	C Nom. Ht	C ₁ OVERALL HEIGHT	D GROOVE WIDTH	E ROD DIAMETER	F THROAT DIAMETER	G HOUSING DIAMETER	th THICKNESS	List Price
AN-01	1/2	3/4	7/64	.187	.107 ±.003	.500 ^{+0.000} _{-0.002}	.647 ^{+0.005} _{+0.000}	.760 ^{+0.004} _{+0.000}	.104	\$ 1.90
AN-01-SH	1/2	3/4	7/64	.187	.107 ±.003	.500 ^{+0.000} _{-0.002}	.647 ^{+0.005} _{+0.000}	.760 ^{+0.004} _{+0.000}	.104	1.90
AN-02	9/16	13/16	7/64	.187	.107 ±.003	.562 ^{+0.000} _{-0.002}	.710 ^{+0.005} _{+0.000}	.823 ^{+0.004} _{+0.000}	.104	1.90
AN-03	5/8	7/8	7/64	.187	.107 ±.003	.625 ^{+0.000} _{-0.002}	.772 ^{+0.005} _{+0.000}	.885 ^{+0.004} _{+0.000}	.104	1.90
AN-03-SH	5/8	7/8	7/64	.187	.107 ±.003	.625 ^{+0.000} _{-0.002}	.772 ^{+0.005} _{+0.000}	.885 ^{+0.004} _{+0.000}	.104	1.90
AN-04	11/16	15/16	7/64	.187	.107 ±.003	.687 ^{+0.000} _{-0.002}	.834 ^{+0.005} _{+0.000}	.948 ^{+0.004} _{+0.000}	.104	1.90
AN-05	3/4	1	7/64	.187	.107 ±.003	.750 ^{+0.000} _{-0.002}	.897 ^{+0.005} _{+0.000}	1.010 ^{+0.004} _{+0.000}	.104	1.90
AN-05-N	3/4	1	7/64	.187	.107 ±.003	.750 ^{+0.000} _{-0.002}	.897 ^{+0.005} _{+0.000}	1.010 ^{+0.004} _{+0.000}	.104	5.39
AN-05-SH	3/4	1	7/64	.187	.107 ±.003	.750 ^{+0.000} _{-0.002}	.897 ^{+0.005} _{+0.000}	1.010 ^{+0.004} _{+0.000}	.104	1.90
AN-05V	3/4	1	7/64	.187	.107 ±.003	.750 ^{+0.000} _{-0.002}	.897 ^{+0.005} _{+0.000}	1.010 ^{+0.004} _{+0.000}	.104	16.52
AN-06	13/16	1-1/16	7/64	.187	.107 ±.003	.812 ^{+0.000} _{-0.002}	.960 ^{+0.005} _{+0.000}	1.084 ^{+0.004} _{+0.000}	.104	2.03
AN-06-SH	13/16	1-1/16	7/64	.187	.107 ±.003	.812 ^{+0.000} _{-0.002}	.960 ^{+0.005} _{+0.000}	1.084 ^{+0.004} _{+0.000}	.104	2.03
AN-07	7/8	1-1/8	7/64	.187	.107 ±.003	.875 ^{+0.000} _{-0.002}	1.023 ^{+0.005} _{+0.000}	1.147 ^{+0.004} _{+0.000}	.104	2.03
AN-07-SH	7/8	1-1/8	7/64	.187	.107 ±.003	.875 ^{+0.000} _{-0.002}	1.023 ^{+0.005} _{+0.000}	1.147 ^{+0.004} _{+0.000}	.104	2.03

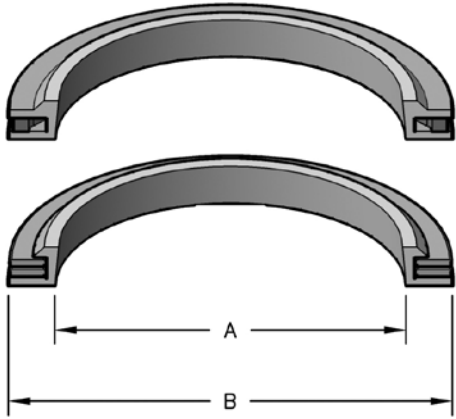
Seal color may vary. Special order sizes are available. Sizes not shown and out of stock items can also be ordered for next day delivery through Seals On Demand, our custom seal program. Please call your regional sales team for assistance.

FORMERLY LISTED REPAIR PARTS ARE AVAILABLE ONLINE AT WWW.HERCULESUS.COM
OR BY CONTACTING YOUR REGIONAL HERCULES SALES TEAM.



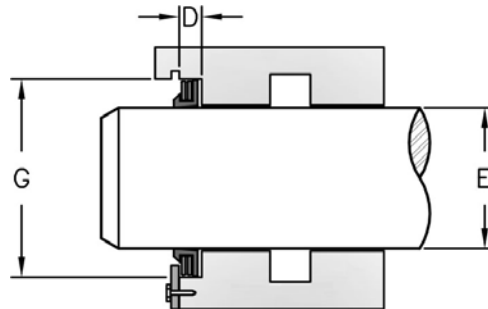
STYLE AN-M2 BRASS WIPER RINGS

Style AN-M2 scrapers conform to MS28776-M2 sizes and are manufactured in brass. The scrapers are suitable for extreme environments with aggressive contaminants. The unique spring-loaded construction and ductile material result in close rod contact even when coping with rod ovality and helix grinding patterns.



HERCULES PART NUMBERS

AN - 03 - M2
Prefix Size



SEAL INFORMATION	
MATERIAL	BRASS
TEMPERATURE RANGE	-30° TO +300° F

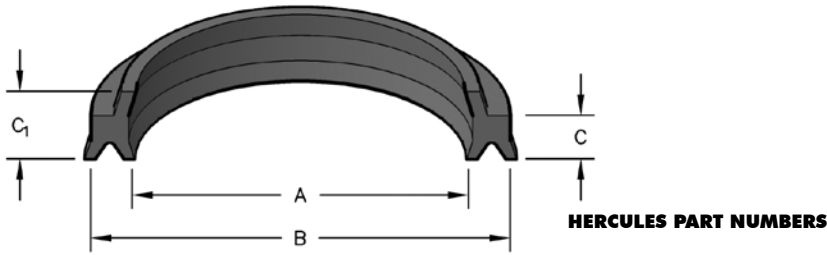
WIPER RINGS

Part Number	A Nom. ID	B Nom. OD	C Nom. Ht	D GROOVE WIDTH	E ROD DIAMETER	G HOUSING DIAMETER	List Price
AN-03-M2	5/8	7/8	7/64	.104	.625	.885	\$27.44
AN-05-M2	3/4	1	7/64	.104	.750	1.010	27.56
AN-09-M2	1	1-7/32	7/64	.104	1.000	1.272	30.17
AN-13-M2	1-1/4	1-15/32	7/64	.104	1.250	1.522	33.70
AN-15-M2	1-3/8	1-21/32	7/64	.104	1.375	1.677	39.21
AN-17-M2	1-1/2	1-25/32	7/64	.104	1.500	1.802	40.05
AN-19-M2	1-3/4	2-1/32	7/64	.104	1.750	2.052	40.48
AN-21-M2	2	2-9/32	7/64	.104	2.000	2.302	45.68
AN-23-M2	2-1/4	2-17/32	7/64	.104	2.250	2.552	46.50
AN-25-M2	2-1/2	2-25/32	7/64	.104	2.500	2.802	56.44
AN-27-M2	2-3/4	3-3/32	1/8	.119	2.750	3.114	63.00
AN-29-M2	3	3-11/32	1/8	.119	3.000	3.364	68.86
AN-33-M2	3-1/2	3-27/32	1/8	.119	3.500	3.864	79.02
AN-37-M2	4	4-13/32	9/64	.135	4.000	4.427	102.56
AN-41-M2	4-1/2	4-29/32	9/64	.135	4.500	4.927	106.84
AN-45-M2	5	5-13/32	9/64	.135	5.000	5.427	120.48

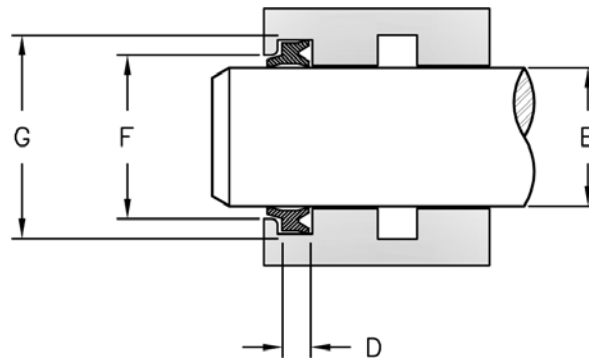
STYLE HW URETHANE WIPER RINGS



Suffix "V" designates fluorocarbon material, "N" designates nitrile material, and "HT" designates high temperature urethane.



SEAL INFORMATION	
MATERIAL	90A URETHANE
TEMPERATURE RANGE	-40° TO +200° F N: -40° TO +225° F V: -20° TO +350° F HT: -40° TO +225° F
SPEED	3 FT/SEC



WIPER RINGS

Part Number	A Nom. ID	B Nom. OD	C Nom. Ht	C ₁ OVERALL HEIGHT	D GROOVE WIDTH	E ROD DIAMETER	F THROAT DIAMETER	G HOUSING DIAMETER	th THICKNESS	List Price
HW-0500	1/2	13/16	.194	.245	.203 ^{+0.005} / _{+0.000}	.500 ^{+0.000} / _{-0.002}	.620 ^{+0.002} / _{+0.000}	.802 ^{+0.002} / _{+0.000}	.194	\$4.76
HW-0500N	1/2	13/16	.194	.245	.203 ^{+0.005} / _{+0.000}	.500 ^{+0.000} / _{-0.002}	.620 ^{+0.002} / _{+0.000}	.802 ^{+0.002} / _{+0.000}	.194	4.44
HW-0500V	1/2	13/16	.194	.245	.203 ^{+0.005} / _{+0.000}	.500 ^{+0.000} / _{-0.002}	.620 ^{+0.002} / _{+0.000}	.802 ^{+0.002} / _{+0.000}	.194	16.97
HW-0625N	5/8	15/16	.189	.245	.198 ^{+0.005} / _{+0.000}	.625 ^{+0.000} / _{-0.002}	.745 ^{+0.002} / _{+0.000}	.927 ^{+0.002} / _{+0.000}	.189	5.29
HW-0625	5/8	15/16	.194	.245	.203 ^{+0.005} / _{+0.000}	.625 ^{+0.000} / _{-0.002}	.745 ^{+0.002} / _{+0.000}	.927 ^{+0.002} / _{+0.000}	.194	5.29
HW-0625-2N	5/8	15/16	.194	.311	.203 ^{+0.005} / _{+0.000}	.625 ^{+0.000} / _{-0.002}		.927 ^{+0.002} / _{+0.000}	.194	5.29
HW-0625V	5/8	15/16	.194	.245	.203 ^{+0.005} / _{+0.000}	.625 ^{+0.000} / _{-0.002}	.745 ^{+0.002} / _{+0.000}	.927 ^{+0.002} / _{+0.000}	.194	18.76
HW-0625-1	5/8	1	.194	.245	.203 ^{+0.005} / _{+0.000}	.625 ^{+0.000} / _{-0.002}		.990 ^{+0.002} / _{+0.000}	.194	21.81
HW-0625-1N	5/8	1	.194	.245	.203 ^{+0.005} / _{+0.000}	.625 ^{+0.000} / _{-0.002}		.990 ^{+0.002} / _{+0.000}	.194	5.29
HW-0750	3/4	1-1/16	.194	.245	.203 ^{+0.005} / _{+0.000}	.750 ^{+0.000} / _{-0.002}	.870 ^{+0.002} / _{+0.000}	1.052 ^{+0.002} / _{+0.000}	.194	5.29
HW-0750N	3/4	1-1/16	.194	.245	.203 ^{+0.005} / _{+0.000}	.750 ^{+0.000} / _{-0.002}	.870 ^{+0.002} / _{+0.000}	1.052 ^{+0.002} / _{+0.000}	.194	5.29
HW-0750V	3/4	1-1/16	.194	.245	.203 ^{+0.005} / _{+0.000}	.750 ^{+0.000} / _{-0.002}	.870 ^{+0.002} / _{+0.000}	1.052 ^{+0.002} / _{+0.000}	.194	16.46
HW-0875	7/8	1-1/4	.212	.275	.218 ^{+0.005} / _{+0.000}	.875 ^{+0.000} / _{-0.002}	1.010 ^{+0.002} / _{+0.000}	1.240 ^{+0.002} / _{+0.000}	.212	5.41
HW-0875N	7/8	1-1/4	.212	.275	.218 ^{+0.005} / _{+0.000}	.875 ^{+0.000} / _{-0.002}	1.010 ^{+0.002} / _{+0.000}	1.240 ^{+0.002} / _{+0.000}	.212	5.41
HW-0937	15/16	1-5/16	.212	.275	.218 ^{+0.005} / _{+0.000}	.937 ^{+0.000} / _{-0.002}	1.072 ^{+0.002} / _{+0.000}	1.302 ^{+0.002} / _{+0.000}	.212	11.48



STYLE HW URETHANE WIPER RINGS

WIPER RINGS

Part Number	A Nom. ID	B Nom. OD	C Nom. Ht	C ₁ OVERALL HEIGHT	D GROOVE WIDTH	E ROD DIAMETER	F THROAT DIAMETER	G HOUSING DIAMETER	th THICKNESS	List Price
HW-1000	1	1-3/8	.212	.275	.218 ^{+0.005} / _{+0.000}	1.000 ^{+0.000} / _{-0.002}	1.135 ^{+0.002} / _{+0.000}	1.365 ^{+0.002} / _{+0.000}	.212	5.49
HW-1000N	1	1-3/8	.212	.275	.218 ^{+0.005} / _{+0.000}	1.000 ^{+0.000} / _{-0.002}	1.135 ^{+0.002} / _{+0.000}	1.365 ^{+0.002} / _{+0.000}	.212	5.49
HW-1000U	1	1-3/8	.212	.275	.218 ^{+0.005} / _{+0.000}	1.000 ^{+0.000} / _{-0.002}	1.135 ^{+0.002} / _{+0.000}	1.365 ^{+0.002} / _{+0.000}	.212	4.41
HW-1000V	1	1-3/8	.212	.275	.218 ^{+0.005} / _{+0.000}	1.000 ^{+0.000} / _{-0.002}	1.135 ^{+0.002} / _{+0.000}	1.365 ^{+0.002} / _{+0.000}	.212	20.15
HW-1125	1-1/8	1-1/2	.212	.275	.218 ^{+0.005} / _{+0.000}	1.125 ^{+0.000} / _{-0.002}	1.260 ^{+0.002} / _{+0.000}	1.490 ^{+0.002} / _{+0.000}	.212	5.76
HW-1250	1-1/4	1-5/8	.212	.275	.218 ^{+0.005} / _{+0.000}	1.250 ^{+0.000} / _{-0.002}	1.385 ^{+0.002} / _{+0.000}	1.615 ^{+0.002} / _{+0.000}	.212	6.16
HW-1250N	1-1/4	1-5/8	.212	.275	.218 ^{+0.005} / _{+0.000}	1.250 ^{+0.000} / _{-0.002}	1.385 ^{+0.002} / _{+0.000}	1.615 ^{+0.002} / _{+0.000}	.212	6.16
HW-1375	1-3/8	1-3/4	.212	.275	.218 ^{+0.005} / _{+0.000}	1.375 ^{+0.000} / _{-0.002}	1.510 ^{+0.002} / _{+0.000}	1.740 ^{+0.002} / _{+0.000}	.212	6.65
HW-1375HT	1-3/8	1-3/4	.212	.275	.218 ^{+0.005} / _{+0.000}	1.375 ^{+0.000} / _{-0.002}	1.510 ^{+0.002} / _{+0.000}	1.740 ^{+0.002} / _{+0.000}	.212	12.32
HW-1375N	1-3/8	1-3/4	.212	.275	.218 ^{+0.005} / _{+0.000}	1.375 ^{+0.000} / _{-0.002}	1.510 ^{+0.002} / _{+0.000}	1.740 ^{+0.002} / _{+0.000}	.212	6.28
HW-1375V	1-3/8	1-3/4	.212	.275	.218 ^{+0.005} / _{+0.000}	1.375 ^{+0.000} / _{-0.002}	1.510 ^{+0.002} / _{+0.000}	1.740 ^{+0.002} / _{+0.000}	.212	36.84
HW-1500	1-1/2	1-7/8	.212	.275	.218 ^{+0.005} / _{+0.000}	1.500 ^{+0.000} / _{-0.002}	1.635 ^{+0.002} / _{+0.000}	1.865 ^{+0.002} / _{+0.000}	.212	7.07
HW-1500N	1-1/2	1-7/8	.212	.275	.218 ^{+0.005} / _{+0.000}	1.500 ^{+0.000} / _{-0.002}	1.635 ^{+0.002} / _{+0.000}	1.865 ^{+0.002} / _{+0.000}	.212	7.07
HW-1625	1-5/8	2	.212	.275	.218 ^{+0.005} / _{+0.000}	1.625 ^{+0.000} / _{-0.002}	1.760 ^{+0.002} / _{+0.000}	1.990 ^{+0.002} / _{+0.000}	.212	7.22
HW-1751	1-3/4	2-1/8	.168	.285	.174 ^{+0.005} / _{+0.000}	1.750 ^{+0.000} / _{-0.002}		2.115 ^{+0.002} / _{+0.000}	.168	15.49
HW-1750	1-3/4	2-1/8	.212	.275	.218 ^{+0.005} / _{+0.000}	1.750 ^{+0.000} / _{-0.002}	1.885 ^{+0.002} / _{+0.000}	2.115 ^{+0.002} / _{+0.000}	.212	7.55
HW-1750N	1-3/4	2-1/8	.212	.275	.218 ^{+0.005} / _{+0.000}	1.750 ^{+0.000} / _{-0.002}	1.885 ^{+0.002} / _{+0.000}	2.115 ^{+0.002} / _{+0.000}	.212	7.55
HW-1750V	1-3/4	2-1/8	.212	.275	.218 ^{+0.005} / _{+0.000}	1.750 ^{+0.000} / _{-0.002}	1.885 ^{+0.002} / _{+0.000}	2.115 ^{+0.002} / _{+0.000}	.212	55.08
HW-1875	1-7/8	2-1/4	.212	.275	.218 ^{+0.005} / _{+0.000}	1.875 ^{+0.000} / _{-0.002}	2.010 ^{+0.002} / _{+0.000}	2.240 ^{+0.002} / _{+0.000}	.212	8.24
HW-1875N	1-7/8	2-1/4	.212	.275	.218 ^{+0.005} / _{+0.000}	1.875 ^{+0.000} / _{-0.002}	2.010 ^{+0.002} / _{+0.000}	2.240 ^{+0.002} / _{+0.000}	.212	26.22
HW-2000	2	2-3/8	.212	.275	.218 ^{+0.005} / _{+0.000}	2.000 ^{+0.000} / _{-0.002}	2.135 ^{+0.002} / _{+0.000}	2.365 ^{+0.002} / _{+0.000}	.212	8.57
HW-2000N	2	2-3/8	.212	.275	.218 ^{+0.005} / _{+0.000}	2.000 ^{+0.000} / _{-0.002}	2.135 ^{+0.002} / _{+0.000}	2.365 ^{+0.002} / _{+0.000}	.212	8.57
HW-2000V	2	2-3/8	.212	.275	.218 ^{+0.005} / _{+0.000}	2.000 ^{+0.000} / _{-0.002}	2.135 ^{+0.002} / _{+0.000}	2.365 ^{+0.002} / _{+0.000}	.212	28.47
HW-2125N	2-1/8	2.49	.212		.218 ^{+0.005} / _{+0.000}	2.125 ^{+0.000} / _{-0.003}	2.260 ^{+0.363} / _{+0.000}	2.490 ^{+0.003} / _{+0.000}	.212	32.38
HW-2125	2-1/8	2-1/2	.212	.275	.218 ^{+0.005} / _{+0.000}	2.125 ^{+0.000} / _{-0.003}	2.260 ^{+0.003} / _{+0.000}	2.490 ^{+0.003} / _{+0.000}	.212	8.90
HW-2250	2-1/4	2-3/4	.275	.351	.281 ^{+0.005} / _{+0.000}	2.250 ^{+0.000} / _{-0.003}	2.385 ^{+0.003} / _{+0.000}	2.745 ^{+0.003} / _{+0.000}	.275	9.03
HW-2375N	2-3/8	2-7/8	.275	.351	.281 ^{+0.005} / _{+0.000}	2.375 ^{+0.000} / _{-0.003}	2.510 ^{+0.003} / _{+0.000}	2.870 ^{+0.003} / _{+0.000}	.275	8.04
HW-2500	2-1/2	3	.275	.351	.281 ^{+0.005} / _{+0.000}	2.500 ^{+0.000} / _{-0.003}	2.635 ^{+0.003} / _{+0.000}	2.995 ^{+0.003} / _{+0.000}	.275	9.51
HW-2500N	2-1/2	3	.275	.351	.281 ^{+0.005} / _{+0.000}	2.500 ^{+0.000} / _{-0.003}	2.635 ^{+0.003} / _{+0.000}	2.995 ^{+0.003} / _{+0.000}	.275	7.52
HW-2500V	2-1/2	3	.275	.351	.281 ^{+0.005} / _{+0.000}	2.500 ^{+0.000} / _{-0.003}	2.635 ^{+0.003} / _{+0.000}	2.995 ^{+0.003} / _{+0.000}	.275	31.55

STYLE HW URETHANE WIPER RINGS



WIPER RINGS

Part Number	A Nom. ID	B Nom. OD	C Nom. Ht	C ₁ OVERALL HEIGHT	D GROOVE WIDTH	E ROD DIAMETER	F THROAT DIAMETER	G HOUSING DIAMETER	th THICKNESS	List Price
HW-2625	2-5/8	3-1/8	.275	.351	.281 ^{+0.05} / _{+0.00}	2.625 ^{+0.00} / _{-.003}	2.760 ^{+0.003} / _{+0.000}	3.120 ^{+0.003} / _{+0.000}	.275	10.10
HW-2750N	2-3/4	3.245	.275	.351	.281 ^{+0.005} / _{+0.000}	2.750 ^{+0.000} / _{-.003}	2.885 ^{+0.003} / _{+0.000}	3.245 ^{+0.003} / _{+0.000}	.275	32.01
HW-2750	2-3/4	3-1/4	.275	.351	.281 ^{+0.005} / _{+0.000}	2.750 ^{+0.000} / _{-.003}	2.885 ^{+0.003} / _{+0.000}	3.245 ^{+0.003} / _{+0.000}	.275	10.85
HW-3000	3	3-1/2	.275	.351	.281 ^{+0.005} / _{+0.000}	3.000 ^{+0.000} / _{-.003}	3.135 ^{+0.003} / _{+0.000}	3.495 ^{+0.003} / _{+0.000}	.275	12.17
HW-3000N	3	3-1/2	.275	.351	.281 ^{+0.005} / _{+0.000}	3.000 ^{+0.000} / _{-.003}	3.135 ^{+0.003} / _{+0.000}	3.495 ^{+0.003} / _{+0.000}	.275	12.17
HW-3000V	3	3-1/2	.275	.351	.281 ^{+0.005} / _{+0.000}	3.000 ^{+0.000} / _{-.003}	3.135 ^{+0.003} / _{+0.000}	3.495 ^{+0.003} / _{+0.000}	.275	40.02
HW-3250	3-1/4	3-3/4	.275	.351	.281 ^{+0.005} / _{+0.000}	3.250 ^{+0.000} / _{-.003}	3.385 ^{+0.003} / _{+0.000}	3.745 ^{+0.003} / _{+0.000}	.275	13.76
HW-3500	3-1/2	4	.275	.351	.281 ^{+0.005} / _{+0.000}	3.500 ^{+0.000} / _{-.003}	3.635 ^{+0.003} / _{+0.000}	3.995 ^{+0.003} / _{+0.000}	.275	14.43
HW-3500N	3-1/2	4	.275	.351	.281 ^{+0.005} / _{+0.000}	3.500 ^{+0.000} / _{-.003}	3.635 ^{+0.003} / _{+0.000}	3.995 ^{+0.003} / _{+0.000}	.275	14.56
HW-3500V	3-1/2	4	.275	.351	.281 ^{+0.005} / _{+0.000}	3.500 ^{+0.000} / _{-.003}	3.635 ^{+0.003} / _{+0.000}	3.995 ^{+0.003} / _{+0.000}	.275	50.48
HW-3750	3-3/4	4-1/4	.275	.351	.281 ^{+0.005} / _{+0.000}	3.750 ^{+0.000} / _{-.003}	3.885 ^{+0.003} / _{+0.000}	4.245 ^{+0.003} / _{+0.000}	.275	29.57
HW-4000	4	4-1/2	.275	.351	.281 ^{+0.005} / _{+0.000}	4.000 ^{+0.000} / _{-.003}	4.135 ^{+0.003} / _{+0.000}	4.495 ^{+0.003} / _{+0.000}	.275	15.95
HW-4000N	4	4-1/2	.275	.351	.281 ^{+0.005} / _{+0.000}	4.000 ^{+0.000} / _{-.003}	4.135 ^{+0.003} / _{+0.000}	4.495 ^{+0.003} / _{+0.000}	.275	15.99
HW-4000V	4	4-1/2	.275	.351	.281 ^{+0.005} / _{+0.000}	4.000 ^{+0.000} / _{-.003}	4.135 ^{+0.003} / _{+0.000}	4.495 ^{+0.003} / _{+0.000}	.275	55.77
HW-4250	4-1/4	4-3/4	.275	.351	.281 ^{+0.005} / _{+0.000}	4.250 ^{+0.000} / _{-.003}	4.385 ^{+0.003} / _{+0.000}	4.745 ^{+0.003} / _{+0.000}	.275	24.67
HW-4430	4-7/16	4-15/16	.275	.351	.281 ^{+0.005} / _{+0.000}	4.437 ^{+0.000} / _{-.003}		4.932 ^{+0.003} / _{+0.000}	.275	33.85
HW-4500	4-1/2	5	.275	.351	.281 ^{+0.005} / _{+0.000}	4.500 ^{+0.000} / _{-.003}	4.635 ^{+0.003} / _{+0.000}	4.995 ^{+0.003} / _{+0.000}	.275	17.73
HW-4500N	4-1/2	5	.275	.351	.281 ^{+0.005} / _{+0.000}	4.500 ^{+0.000} / _{-.003}	4.635 ^{+0.003} / _{+0.000}	4.995 ^{+0.003} / _{+0.000}	.275	12.88
HW-4500V	4-1/2	5	.275	.351	.281 ^{+0.005} / _{+0.000}	4.500 ^{+0.000} / _{-.003}	4.635 ^{+0.003} / _{+0.000}	4.995 ^{+0.003} / _{+0.000}	.275	57.29
HW-4750	4-3/4	5-1/4	.275	.351	.281 ^{+0.005} / _{+0.000}	4.750 ^{+0.000} / _{-.003}	4.885 ^{+0.003} / _{+0.000}	5.245 ^{+0.003} / _{+0.000}	.275	42.00
HW-5000	5	5-1/2	.275	.351	.281 ^{+0.005} / _{+0.000}	5.000 ^{+0.000} / _{-.003}	5.135 ^{+0.003} / _{+0.000}	5.495 ^{+0.003} / _{+0.000}	.275	20.97
HW-5000N	5	5-1/2	.275	.351	.281 ^{+0.005} / _{+0.000}	5.000 ^{+0.000} / _{-.003}	5.135 ^{+0.003} / _{+0.000}	5.495 ^{+0.003} / _{+0.000}	.275	16.90
HW-5000V	5	5-1/2	.275	.351	.281 ^{+0.005} / _{+0.000}	5.000 ^{+0.000} / _{-.003}	5.135 ^{+0.003} / _{+0.000}	5.495 ^{+0.003} / _{+0.000}	.275	60.52
HW-5500	5-1/2	6	.275	.351	.281 ^{+0.005} / _{+0.000}	5.500 ^{+0.000} / _{-.003}	5.635 ^{+0.003} / _{+0.000}	5.995 ^{+0.003} / _{+0.000}	.275	29.12
HW-5500N	5-1/2	6	.275	.351	.281 ^{+0.005} / _{+0.000}	5.500 ^{+0.000} / _{-.003}	5.635 ^{+0.003} / _{+0.000}	5.995 ^{+0.003} / _{+0.000}	.275	14.62
HW-5500V	5-1/2	6	.275	.351	.281 ^{+0.005} / _{+0.000}	5.500 ^{+0.000} / _{-.003}	5.635 ^{+0.003} / _{+0.000}	5.995 ^{+0.003} / _{+0.000}	.275	66.27
HW-6000N	6	6-1/2	.275	.351	.281 ^{+0.005} / _{+0.000}	6.000 ^{+0.000} / _{-.003}	6.135 ^{+0.003} / _{+0.000}	6.495 ^{+0.003} / _{+0.000}	.275	17.93
HW-6000V	6	6-1/2	.275	.351	.281 ^{+0.005} / _{+0.000}	6.000 ^{+0.000} / _{-.003}	6.135 ^{+0.003} / _{+0.000}	6.495 ^{+0.003} / _{+0.000}	.275	72.01
HW-7000	7	7-1/2	.275	.351	.281 ^{+0.005} / _{+0.000}	7.000 ^{+0.000} / _{-.004}	7.135 ^{+0.003} / _{+0.000}	7.495 ^{+0.003} / _{+0.000}	.275	37.67
HW-7000N	7	7-1/2	.275	.351	.281 ^{+0.005} / _{+0.000}	7.000 ^{+0.000} / _{-.004}	7.135 ^{+0.003} / _{+0.000}	7.495 ^{+0.003} / _{+0.000}	.275	37.78

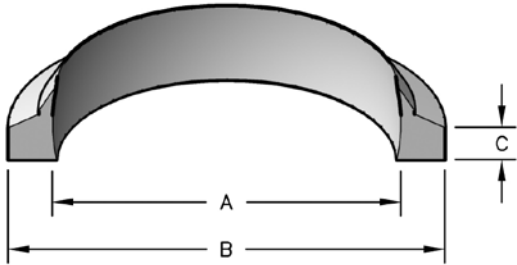


STYLE HW URETHANE WIPER RINGS

Part Number	A Nom. ID	B Nom. OD	C Nom. Ht	C ₁ OVERALL HEIGHT	D GROOVE WIDTH	E ROD DIAMETER	F THROAT DIAMETER	G HOUSING DIAMETER	th THICKNESS	List Price
HW-7000V	7	7-1/2	.275	.351	.281 ^{+0.005} / _{+0.000}	7.000 ^{+0.000} / _{-.004}	7.135 ^{+0.003} / _{+0.000}	7.495 ^{+0.003} / _{+0.000}	.275	79.37
HW-8000	8	8-1/2	.275	.351	.281 ^{+0.005} / _{+0.000}	8.000 ^{+0.000} / _{-.004}	8.135 ^{+0.003} / _{+0.000}	8.495 ^{+0.003} / _{+0.000}	.275	65.81

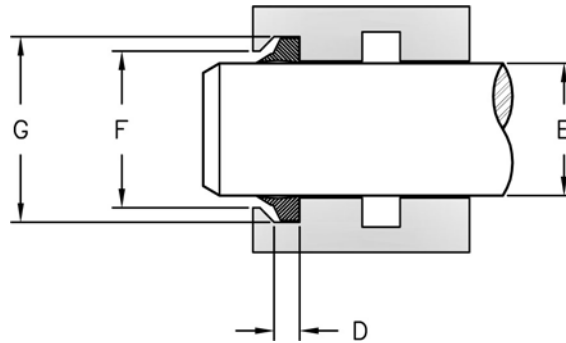
WIPER RINGS

STYLE BT URETHANE WIPER RINGS



HERCULES PART NUMBERS

BT 01050
Prefix Size



SEAL INFORMATION	
MATERIAL	90A URETHANE
TEMPERATURE RANGE	-40° TO +200° F
SPEED	3 FT/SEC

Part Number	A Nom. ID	B Nom. OD	C Nom. Ht	D GROOVE WIDTH	E ROD DIAMETER	F THROAT DIAMETER	G HOUSING DIAMETER	List Price
BT01050	5/8	7/8	5/32	.176 ^{+0.005} / _{+0.000}	.625	.781 ^{+0.005} / _{+0.000}	.885 ^{+0.005} / _{+0.000}	\$13.39
BT01260	3/4	1-1/8	3/16	.195 ^{+0.005} / _{+0.000}	.750	.860 ^{+0.005} / _{+0.000}	1.135 ^{+0.005} / _{+0.000}	13.39
BT01460	7/8	1-1/4	3/16	.195 ^{+0.005} / _{+0.000}	.875	.985 ^{+0.005} / _{+0.000}	1.260 ^{+0.005} / _{+0.000}	13.39
BT10060	1	1-3/8	3/16	.195 ^{+0.005} / _{+0.000}	1.000	1.110 ^{+0.005} / _{+0.000}	1.385 ^{+0.005} / _{+0.000}	14.72
BT10260	1-1/8	1-1/2	3/16	.195 ^{+0.005} / _{+0.000}	1.125	1.235 ^{+0.005} / _{+0.000}	1.510 ^{+0.005} / _{+0.000}	14.85
BT10460	1-1/4	1-5/8	3/16	.195 ^{+0.005} / _{+0.000}	1.250	1.360 ^{+0.005} / _{+0.000}	1.635 ^{+0.005} / _{+0.000}	14.85
BT10660	1-3/8	1-3/4	3/16	.195 ^{+0.005} / _{+0.000}	1.375	1.485 ^{+0.005} / _{+0.000}	1.760 ^{+0.005} / _{+0.000}	14.93
BT10860	1-1/2	1-7/8	3/16	.195 ^{+0.005} / _{+0.000}	1.500	1.610 ^{+0.005} / _{+0.000}	1.885 ^{+0.005} / _{+0.000}	23.82
BT11260	1-3/4	2-1/8	3/16	.195 ^{+0.005} / _{+0.000}	1.750	1.860 ^{+0.005} / _{+0.000}	2.135 ^{+0.005} / _{+0.000}	16.05
BT11580	1-15/16	2-7/16	1/4	.255 ^{+0.005} / _{+0.000}	1.937	2.090 ^{+0.005} / _{+0.000}	2.447 ^{+0.005} / _{+0.000}	16.69
BT20060	2	2-3/8	3/16	.195 ^{+0.005} / _{+0.000}	2.000	2.110 ^{+0.005} / _{+0.000}	2.385 ^{+0.005} / _{+0.000}	17.03
BT20460	2-1/4	2-5/8	3/16	.195 ^{+0.005} / _{+0.000}	2.250	2.360 ^{+0.005} / _{+0.000}	2.635 ^{+0.005} / _{+0.000}	18.57
BT20791	2-7/16	3	.284	.286 ^{+0.005} / _{+0.000}	2.437	2.633 ^{+0.005} / _{+0.000}	3.010 ^{+0.005} / _{+0.000}	19.51
BT20860	2-1/2	2-7/8	3/16	.195 ^{+0.005} / _{+0.000}	2.500	2.610 ^{+0.005} / _{+0.000}	2.885 ^{+0.005} / _{+0.000}	20.58
BT20880	2-1/2	3	1/4	.255 ^{+0.005} / _{+0.000}	2.500	2.700 ^{+0.005} / _{+0.000}	3.010 ^{+0.005} / _{+0.000}	21.78
BT21080	2-5/8	3-1/8	1/4	.255 ^{+0.005} / _{+0.000}	2.625	2.777 ^{+0.005} / _{+0.000}	3.135 ^{+0.005} / _{+0.000}	22.55
BT21260	2-3/4	3-1/8	3/16	.195 ^{+0.005} / _{+0.000}	2.750	2.827 ^{+0.005} / _{+0.000}	3.135 ^{+0.005} / _{+0.000}	22.85

STYLE BT URETHANE WIPER RINGS

WIPER RINGS

Part Number	A Nom. ID	B Nom. OD	C Nom. Ht	D GROOVE WIDTH	E ROD DIAMETER	F THROAT DIAMETER	G HOUSING DIAMETER	List Price
BT30090	2.95	3-1/2	.275	.286 ^{+0.005} / _{+0.000}	2.950	3.146 ^{+0.005} / _{+0.000}	3.510 ^{+0.005} / _{+0.000}	27.47
BT30060	3	3-3/8	3/16	.195 ^{+0.005} / _{+0.000}	3.000	3.110 ^{+0.005} / _{+0.000}	3.385 ^{+0.005} / _{+0.000}	40.08
BT30080	3	3-1/2	1/4	.255 ^{+0.005} / _{+0.000}	3.000	3.200 ^{+0.005} / _{+0.000}	3.510 ^{+0.005} / _{+0.000}	26.40
BT30391	3.165	3.734	.284	.289 ^{+0.005} / _{+0.000}	3.165	3.317 ^{+0.005} / _{+0.000}	3.744 ^{+0.005} / _{+0.000}	28.80
BT30480	3-1/4	3-3/4	1/4	.255 ^{+0.005} / _{+0.000}	3.250	3.450 ^{+0.005} / _{+0.000}	3.760 ^{+0.005} / _{+0.000}	29.31
BT30890	3.45	4	.275	.280 ^{+0.005} / _{+0.000}	3.450	3.646 ^{+0.005} / _{+0.000}	4.010 ^{+0.005} / _{+0.000}	30.51
BT30860	3-1/2	3-7/8	3/16	.195 ^{+0.005} / _{+0.000}	3.500	3.610 ^{+0.005} / _{+0.000}	3.885 ^{+0.005} / _{+0.000}	29.78
BT30880	3-1/2	4	1/4	.255 ^{+0.005} / _{+0.000}	3.500	3.700 ^{+0.005} / _{+0.000}	4.010 ^{+0.005} / _{+0.000}	29.78
BT31080	3-5/8	4-1/8	1/4	.255 ^{+0.005} / _{+0.000}	3.625	3.777 ^{+0.005} / _{+0.000}	4.135 ^{+0.005} / _{+0.000}	31.45
BT31280	3-3/4	4-1/4	1/4	.255 ^{+0.005} / _{+0.000}	3.750	3.950 ^{+0.005} / _{+0.000}	4.260 ^{+0.005} / _{+0.000}	31.92
BT40080	4	4-1/2	1/4	.255 ^{+0.005} / _{+0.000}	4.000	4.200 ^{+0.005} / _{+0.000}	4.510 ^{+0.005} / _{+0.000}	33.03
BT40480	4-1/4	4-3/4	1/4	.255 ^{+0.005} / _{+0.000}	4.250	4.402 ^{+0.005} / _{+0.000}	4.760 ^{+0.005} / _{+0.000}	35.30
BT40880	4-1/2	5	1/4	.255 ^{+0.005} / _{+0.000}	4.500	4.700 ^{+0.005} / _{+0.000}	5.010 ^{+0.005} / _{+0.000}	36.97
BT41280	4-3/4	5-1/4	1/4	.255 ^{+0.005} / _{+0.000}	4.750	4.950 ^{+0.005} / _{+0.000}	5.260 ^{+0.005} / _{+0.000}	38.64
BT50080	5	5-1/2	1/4	.255 ^{+0.005} / _{+0.000}	5.000	5.152 ^{+0.005} / _{+0.000}	5.510 ^{+0.005} / _{+0.000}	42.49
BT50880	5-1/2	6	1/4	.255 ^{+0.005} / _{+0.000}	5.500	5.652 ^{+0.005} / _{+0.000}	6.010 ^{+0.005} / _{+0.000}	51.52
BT60080	6	6-1/2	1/4	.255 ^{+0.005} / _{+0.000}	6.000	6.200 ^{+0.005} / _{+0.000}	6.510 ^{+0.005} / _{+0.000}	54.47

Seal color may vary. Special order sizes are available. Sizes not shown and out of stock items can also be ordered for next day delivery through Seals On Demand, our custom seal program. Please call your regional sales team for assistance.

BUNA-N WIPER CORD



STYLE KW WIPER
7580C



STYLE ST WIPER
7581

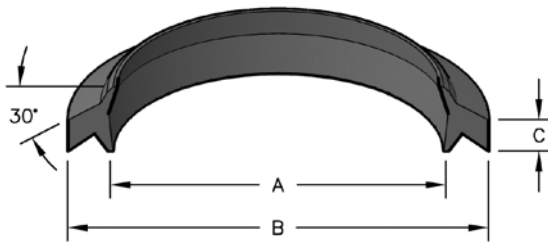
Part Number	C Nom. Ht	Nom. Cross Section	List Price
7580C 3/16"	3/16	3/16	\$5.25
7581C 3/16"	3/16	3/16	5.68
7580C 1/4"	1/4	1/4	4.39

WIPER RINGS

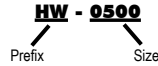


STYLE KW URETHANE WIPER RINGS

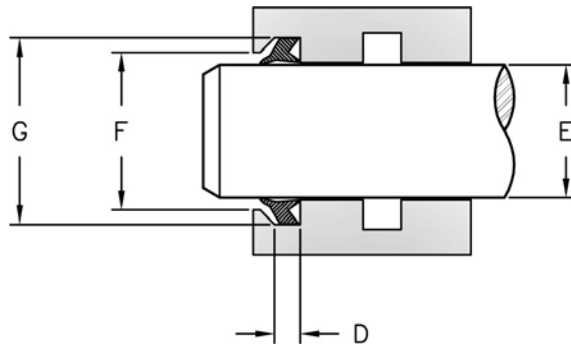
Suffix "N" designates nitrile material.



HERCULES PART NUMBERS



SEAL INFORMATION	
MATERIAL	90A URETHANE
TEMPERATURE RANGE	-40° TO +200° F
SPEED	3 FT/SEC



WIPER RINGS

Part Number	A Nom. ID	B Nom. OD	C Nom. Ht	D GROOVE WIDTH	E ROD DIAMETER	F THROAT DIAMETER	G HOUSING DIAMETER	th THICKNESS	List Price
KW-0500	1/2	3/4	.156	.155 ^{+0.015} / _{+0.000}	.500	.625 ^{+0.015} / _{+0.000}	.760 ^{+0.005} / _{+0.000}	.156	\$9.37
KW-0625	5/8	7/8	.156	.155 ^{+0.015} / _{+0.000}	.625	.750 ^{+0.015} / _{+0.000}	.885 ^{+0.005} / _{+0.000}	.156	7.62
KW-0750	3/4	1-1/8	.19	.195 ^{+0.015} / _{+0.000}	.750	.832 ^{+0.015} / _{+0.000}	1.135 ^{+0.005} / _{+0.000}	.190	9.25
KW-0875	7/8	1-1/4	.19	.195 ^{+0.015} / _{+0.000}	.875	.957 ^{+0.015} / _{+0.000}	1.260 ^{+0.005} / _{+0.000}	.190	7.73
KW-1000	1	1-3/8	.19	.195 ^{+0.015} / _{+0.000}	1.000	1.082 ^{+0.015} / _{+0.000}	1.385 ^{+0.005} / _{+0.000}	.190	7.89
KW-1125	1-1/8	1-1/2	.19	.195 ^{+0.015} / _{+0.000}	1.125	1.207 ^{+0.015} / _{+0.000}	1.510 ^{+0.005} / _{+0.000}	.190	8.20
KW-1250	1-1/4	1-5/8	.19	.195 ^{+0.015} / _{+0.000}	1.250	1.332 ^{+0.015} / _{+0.000}	1.635 ^{+0.005} / _{+0.000}	.190	11.33
KW-1250N	1-1/4	1-5/8	.19	.195 ^{+0.015} / _{+0.000}	1.250	1.332 ^{+0.015} / _{+0.000}	1.635 ^{+0.005} / _{+0.000}	.190	17.07
KW-1375	1-3/8	1-3/4	.19	.195 ^{+0.015} / _{+0.000}	1.375	1.457 ^{+0.015} / _{+0.000}	1.760 ^{+0.005} / _{+0.000}	.190	9.47
KW-1500	1-1/2	1-7/8	.19	.195 ^{+0.015} / _{+0.000}	1.500	1.582 ^{+0.015} / _{+0.000}	1.885 ^{+0.005} / _{+0.000}	.190	10.08
KW-1625	1-5/8	2	.19	.195 ^{+0.015} / _{+0.000}	1.625	1.707 ^{+0.015} / _{+0.000}	2.010 ^{+0.005} / _{+0.000}	.190	10.26
KW-1750	1-3/4	2-1/8	.19	.195 ^{+0.015} / _{+0.000}	1.750	1.832 ^{+0.015} / _{+0.000}	2.135 ^{+0.005} / _{+0.000}	.190	10.71
KW-2000	2	2-3/8	.19	.195 ^{+0.015} / _{+0.000}	2.000	2.082 ^{+0.015} / _{+0.000}	2.385 ^{+0.005} / _{+0.000}	.190	12.24
KW-2125	2-1/8	2-1/2	.19	.195 ^{+0.015} / _{+0.000}	2.125	2.207 ^{+0.015} / _{+0.000}	2.510 ^{+0.005} / _{+0.000}	.190	16.40

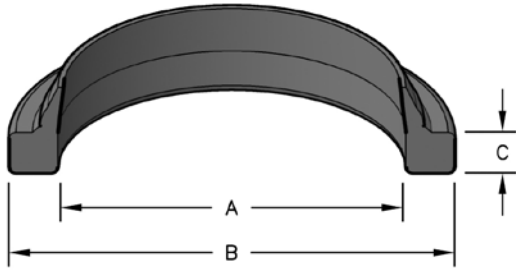
STYLE KW URETHANE WIPER RINGS



WIPER RINGS

Part Number	A Nom. ID	B Nom. OD	C Nom. Ht	D GROOVE WIDTH	E ROD DIAMETER	F THROAT DIAMETER	G HOUSING DIAMETER	th THICKNESS	List Price
KW-2250-1	2-1/4	2-5/8	.187	.192 ^{+0.015} / _{+0.000}	2.250		2.635 ^{+0.005} / _{+0.000}	.187	12.78
KW-2250	2-1/4	2-3/4	1/4	.255 ^{+0.015} / _{+0.000}	2.250	2.407 ^{+0.015} / _{+0.000}	2.760 ^{+0.005} / _{+0.000}	.250	12.87
KW-2450N	2.45	3	.281	.286 ^{+0.015} / _{+0.000}	2.450		3.010 ^{+0.005} / _{+0.000}	.281	43.16
KW-2500	2-1/2	3	1/4	.255 ^{+0.015} / _{+0.000}	2.500	2.657 ^{+0.015} / _{+0.000}	3.010 ^{+0.005} / _{+0.000}	.250	13.54
KW-2500N	2-1/2	3	1/4	.255 ^{+0.015} / _{+0.000}	2.500	2.657 ^{+0.015} / _{+0.000}	3.010 ^{+0.005} / _{+0.000}	.250	14.73
KW-2625	2-5/8	3-1/8	1/4	.255 ^{+0.015} / _{+0.000}	2.625	2.782 ^{+0.015} / _{+0.000}	3.135 ^{+0.005} / _{+0.000}	.250	14.42
KW-2750	2-3/4	3-1/4	1/4	.255 ^{+0.015} / _{+0.000}	2.750	2.907 ^{+0.015} / _{+0.000}	3.260 ^{+0.005} / _{+0.000}	.250	15.49
KW-3000	3	3-1/2	1/4	.255 ^{+0.015} / _{+0.000}	3.000	3.157 ^{+0.015} / _{+0.000}	3.510 ^{+0.005} / _{+0.000}	.250	17.39
KW-3000N	3	3-1/2	1/4	.255 ^{+0.015} / _{+0.000}	3.000	3.157 ^{+0.015} / _{+0.000}	3.510 ^{+0.005} / _{+0.000}	.250	19.28
KW-3125N	3-1/8	3-5/8	1/4	.255 ^{+0.015} / _{+0.000}	3.125	3.282 ^{+0.015} / _{+0.000}	3.635 ^{+0.005} / _{+0.000}	.250	35.67
KW-3250	3-1/4	3-3/4	1/4	.255 ^{+0.015} / _{+0.000}	3.250	3.407 ^{+0.015} / _{+0.000}	3.760 ^{+0.005} / _{+0.000}	.250	18.67
KW-3375	3-3/8	3-7/8	1/4	.255 ^{+0.015} / _{+0.000}	3.375	3.532 ^{+0.015} / _{+0.000}	3.885 ^{+0.005} / _{+0.000}	.250	20.62
KW-3450N	3.45	4	.243	.248 ^{+0.015} / _{+0.000}	3.450		4.010 ^{+0.005} / _{+0.000}	.243	48.69
KW-3500-2	3-1/2	3-7/8	.19	.195 ^{+0.015} / _{+0.000}	3.500		3.885 ^{+0.005} / _{+0.000}	.190	25.36
KW-3500	3-1/2	4	1/4	.255 ^{+0.015} / _{+0.000}	3.500	3.657 ^{+0.015} / _{+0.000}	4.010 ^{+0.005} / _{+0.000}	.250	20.62
KW-3750	3-3/4	4-1/4	1/4	.255 ^{+0.015} / _{+0.000}	3.750	3.907 ^{+0.015} / _{+0.000}	4.260 ^{+0.005} / _{+0.000}	.250	22.25
KW-3950N	3.95	4.45	1/4	.255 ^{+0.015} / _{+0.000}	3.950		4.460 ^{+0.005} / _{+0.000}	.250	26.14
KW-4000	4	4-1/2	1/4	.255 ^{+0.015} / _{+0.000}	4.000	4.157 ^{+0.015} / _{+0.000}	4.510 ^{+0.005} / _{+0.000}	.250	26.90
KW-4060	4-1/16	4-9/16	1/4	.255 ^{+0.015} / _{+0.000}	4.062		4.5725 ^{+0.005} / _{+0.000}	.250	28.21
KW-4500	4-1/2	5	1/4	.255 ^{+0.015} / _{+0.000}	4.500	4.657 ^{+0.015} / _{+0.000}	5.010 ^{+0.005} / _{+0.000}	.250	31.35
KW-4500N	4-1/2	5	1/4	.255 ^{+0.015} / _{+0.000}	4.500	4.657 ^{+0.015} / _{+0.000}	5.010 ^{+0.005} / _{+0.000}	.250	57.22
KW-4750N	4-3/4	5-1/4	1/4	.255 ^{+0.015} / _{+0.000}	4.750	4.907 ^{+0.015} / _{+0.000}	5.260 ^{+0.005} / _{+0.000}	.250	49.68
KW-4875	4-7/8	5-3/8	1/4	.255 ^{+0.015} / _{+0.000}	4.875	5.032 ^{+0.015} / _{+0.000}	5.385 ^{+0.005} / _{+0.000}	.250	31.66
KW-5000	5	5-1/2	1/4	.255 ^{+0.015} / _{+0.000}	5.000	5.157 ^{+0.015} / _{+0.000}	5.510 ^{+0.005} / _{+0.000}	.250	35.07
KW-5250N	5-1/4	5-3/4	1/4	.255 ^{+0.015} / _{+0.000}	5.250	5.407 ^{+0.015} / _{+0.000}	5.760 ^{+0.005} / _{+0.000}	.250	55.10
KW-5375	5-3/8	5-7/8	1/4	.255 ^{+0.015} / _{+0.000}	5.375		5.885 ^{+0.005} / _{+0.000}	.250	39.81
KW-6000	6	6-1/2	1/4	.255 ^{+0.015} / _{+0.000}	6.000	6.157 ^{+0.015} / _{+0.000}	6.510 ^{+0.005} / _{+0.000}	.250	39.21
KW-7000	7	7-1/2	1/4	.255 ^{+0.015} / _{+0.000}	7.000	7.157 ^{+0.015} / _{+0.000}	7.510 ^{+0.005} / _{+0.000}	.250	42.47
KW-8000	8	8-1/2	1/4	.255 ^{+0.015} / _{+0.000}	8.000	8.157 ^{+0.015} / _{+0.000}	8.510 ^{+0.005} / _{+0.000}	.250	93.27
KW-8125	8-1/8	8.63	1/4	.255 ^{+0.015} / _{+0.000}	8.125		8.640 ^{+0.005} / _{+0.000}	.250	80.60
KW-9125	9-1/8	9.63	1/4	.255 ^{+0.015} / _{+0.000}	9.125		9.640 ^{+0.005} / _{+0.000}	.250	140.48
KW-9375	9-3/8	9.89	1/4	.255 ^{+0.015} / _{+0.000}	9.375		9.900 ^{+0.005} / _{+0.000}	.250	149.50

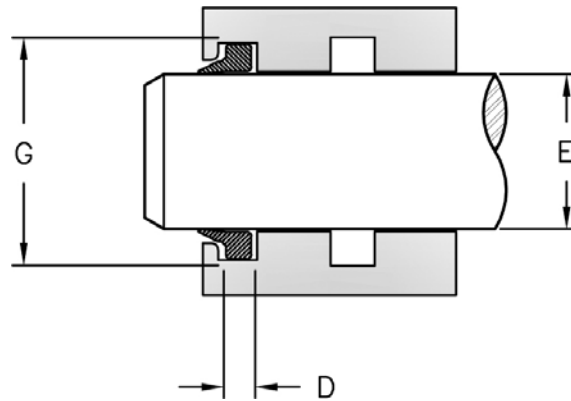
STYLE SWNC WIPER RINGS



HERCULES PART NUMBERS

SWNC - 062
Prefix Size

SEAL INFORMATION	
MATERIAL	BUNA-N
TEMPERATURE RANGE	-22° TO +212° F
SPEED	3 FT/SEC



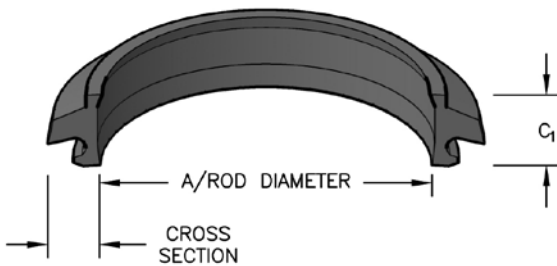
WIPER RINGS

Part Number	A Nom. ID	B Nom. OD	C Nom. Ht	D GROOVE WIDTH	E ROD DIAMETER	G HOUSING DIAMETER	List Price
SWNC-62	5/8	1.02	1/8	.125 ^{+0.04} / _{+0.00}	.625	1.025 ^{+0.04} / _{+0.00}	\$6.46
SWNC-75	3/4	1.15	1/8	.125 ^{+0.04} / _{+0.00}	.750	1.150 ^{+0.04} / _{+0.00}	5.58
SWNC-87	7/8	1.275	1/8	.125 ^{+0.04} / _{+0.00}	.875	1.275 ^{+0.04} / _{+0.00}	5.58
SWNC-100	1	1-3/8	1/8	.125 ^{+0.04} / _{+0.00}	1.000	1.375 ^{+0.04} / _{+0.00}	12.61
SWNC-100A	1	1.4	1/8	.125 ^{+0.04} / _{+0.00}	1.000	1.400 ^{+0.04} / _{+0.00}	5.58
SWNC-112	1-1/8	1-5/8	1/8	.125 ^{+0.04} / _{+0.00}	1.125	1.625 ^{+0.04} / _{+0.00}	6.46
SWNC-125	1-1/4	1-3/4	1/8	.125 ^{+0.04} / _{+0.00}	1.250	1.750 ^{+0.04} / _{+0.00}	6.46
SWNC-137	1-3/8	1-7/8	1/8	.125 ^{+0.04} / _{+0.00}	1.375	1.875 ^{+0.04} / _{+0.00}	7.97
SWNC-150	1-1/2	2	1/8	.125 ^{+0.04} / _{+0.00}	1.500	2.000 ^{+0.04} / _{+0.00}	6.46
SWNC-162	1-5/8	2-1/8	1/8	.125 ^{+0.04} / _{+0.00}	1.625	2.125 ^{+0.04} / _{+0.00}	13.81
SWNC-175	1-3/4	2-1/4	1/8	.125 ^{+0.04} / _{+0.00}	1.750	2.250 ^{+0.04} / _{+0.00}	6.60
SWNC-187	1-7/8	2-3/8	1/8	.125 ^{+0.04} / _{+0.00}	1.875	2.375 ^{+0.04} / _{+0.00}	9.50
SWNC-200	2	2-1/2	1/8	.125 ^{+0.04} / _{+0.00}	2.000	2.500 ^{+0.04} / _{+0.00}	6.60
SWNC-225	2-1/4	2-3/4	1/8	.125 ^{+0.04} / _{+0.00}	2.250	2.750 ^{+0.04} / _{+0.00}	8.24
SWNC-237	2-3/8	2-7/8	1/8	.125 ^{+0.04} / _{+0.00}	2.375	2.875 ^{+0.04} / _{+0.00}	9.50
SWNC-250	2-1/2	3	1/8	.125 ^{+0.04} / _{+0.00}	2.500	3.000 ^{+0.04} / _{+0.00}	7.50

STYLE SWNC WIPER RINGS

Part Number	A Nom. ID	B Nom. OD	C Nom. Ht	D GROOVE WIDTH	E ROD DIAMETER	G HOUSING DIAMETER	List Price
SWNC-275	2-3/4	3-1/4	1/8	.125 ^{+0.004} / _{+0.000}	2.750	3.250 ^{+0.004} / _{+0.000}	8.86
SWNC-300	3	3-1/2	1/8	.125 ^{+0.004} / _{+0.000}	3.000	3.500 ^{+0.004} / _{+0.000}	9.09
SWNC-325	3-1/4	4	3/16	.187 ^{+0.004} / _{+0.000}	3.250	4.000 ^{+0.004} / _{+0.000}	17.04
SWNC-337	3-3/8	4-1/8	3/16	.187 ^{+0.004} / _{+0.000}	3.375	4.125 ^{+0.004} / _{+0.000}	24.38
SWNC-350	3-1/2	4-1/4	3/16	.187 ^{+0.004} / _{+0.000}	3.500	4.250 ^{+0.004} / _{+0.000}	16.64
SWNC-400	4	4-3/4	3/16	.187 ^{+0.004} / _{+0.000}	4.000	4.750 ^{+0.004} / _{+0.000}	18.20
SWNC-425	4-1/4	5	3/16	.187 ^{+0.004} / _{+0.000}	4.250	5.000 ^{+0.004} / _{+0.000}	28.35
SWNC-450	4-1/2	5-1/4	3/16	.187 ^{+0.004} / _{+0.000}	4.500	5.250 ^{+0.004} / _{+0.000}	19.07
SWNC-500	5	5-3/4	3/16	.187 ^{+0.004} / _{+0.000}	5.000	5.750 ^{+0.004} / _{+0.000}	32.80

CASCADE WIPERS



HERCULES PART NUMBERS

CAS - 605609

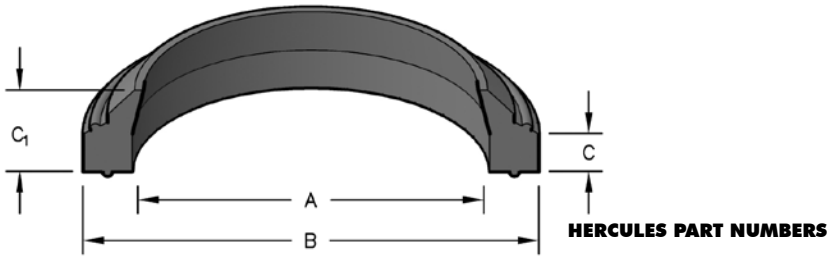
Prefix Size

SEAL INFORMATION

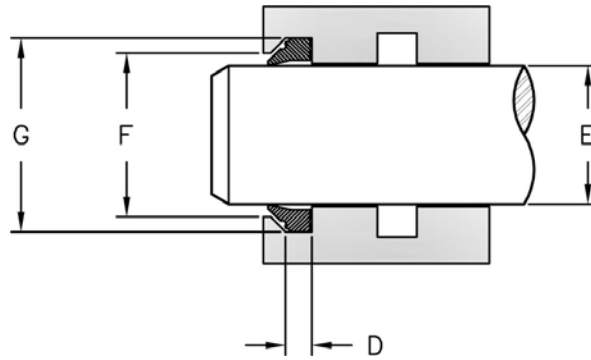
MATERIAL	URETHANE
TEMPERATURE RANGE	-65° TO +220° F
SPEED	3 FT/SEC

Part Number	A Nom. ID	C ₁ OVERALL HEIGHT	E ROD DIAMETER	C HEIGHT	CROSS SECTION	List Price
CAS-605609	2.7	.485	2.700	.485	.330 ±.005	\$27.99
CAS-605648	2.825	.485	2.825	.485	.330 ±.005	29.90
CAS-605611	3.2	.485	3.200	.485	.330 ±.005	32.28
CAS-605613	3.7	.485	3.700	.485	.330 ±.005	63.67
CAS-605620	5.45	.485	5.450	.485	.330 ±.005	76.32

STYLE SWSN WIPERS



SWSN - 100
Prefix Size



SEAL INFORMATION	
MATERIAL	BUNA-N
TEMPERATURE RANGE	-22° TO +212° F
SPEED	3 FT/SEC

Part Number	A Nom. ID	B Nom. OD	C Nom. Ht	C ₁ OVERALL HEIGHT	D GROOVE WIDTH	E ROD DIAMETER	F THROAT DIAMETER	G HOUSING DIAMETER	List Price
SWSN-100	1	1-1/2	13/64	.400	.208 ^{+0.08} / _{+0.00}	1.000	1.250 ^{+0.08} / _{+0.00}	1.500 ^{+0.08} / _{+0.00}	\$6.33
SWSN-112	1-1/8	1-5/8	13/64	.400	.208 ^{+0.08} / _{+0.00}	1.125	1.375 ^{+0.08} / _{+0.00}	1.625 ^{+0.08} / _{+0.00}	6.79
SWSN-125	1-1/4	1-3/4	13/64	.400	.208 ^{+0.08} / _{+0.00}	1.250	1.500 ^{+0.08} / _{+0.00}	1.750 ^{+0.08} / _{+0.00}	5.32
SWSN-150	1-1/2	2	13/64	.400	.208 ^{+0.08} / _{+0.00}	1.500	1.750 ^{+0.08} / _{+0.00}	2.000 ^{+0.08} / _{+0.00}	6.53
SWSN-175A	1-3/4	2-1/8	13/64	.400	.208 ^{+0.08} / _{+0.00}	1.750	1.937 ^{+0.08} / _{+0.00}	2.125 ^{+0.08} / _{+0.00}	20.65
SWSN-175	1-3/4	2-1/4	13/64	.400	.208 ^{+0.08} / _{+0.00}	1.750	2.000 ^{+0.08} / _{+0.00}	2.250 ^{+0.08} / _{+0.00}	6.53
SWSN-187	1-7/8	2-3/8	13/64	.400	.208 ^{+0.08} / _{+0.00}	1.875	2.125 ^{+0.08} / _{+0.00}	2.375 ^{+0.08} / _{+0.00}	8.16
SWSN-200	2	2-1/2	13/64	.400	.208 ^{+0.08} / _{+0.00}	2.000	2.250 ^{+0.08} / _{+0.00}	2.500 ^{+0.08} / _{+0.00}	6.79
SWSN-212	2-1/8	2-5/8	13/64	.400	.208 ^{+0.08} / _{+0.00}	2.125	2.375 ^{+0.08} / _{+0.00}	2.625 ^{+0.08} / _{+0.00}	9.83
SWSN-225	2-1/4	2-3/4	13/64	.400	.208 ^{+0.08} / _{+0.00}	2.250	2.500 ^{+0.08} / _{+0.00}	2.750 ^{+0.08} / _{+0.00}	8.80
SWSN-250	2-1/2	3	13/64	.400	.208 ^{+0.08} / _{+0.00}	2.500	2.750 ^{+0.08} / _{+0.00}	3.000 ^{+0.08} / _{+0.00}	9.01
SWSN-275	2-3/4	3-1/4	13/64	.400	.208 ^{+0.08} / _{+0.00}	2.750	3.000 ^{+0.08} / _{+0.00}	3.250 ^{+0.08} / _{+0.00}	8.16
SWSN-300	3	3-1/2	13/64	.400	.208 ^{+0.08} / _{+0.00}	3.000	3.250 ^{+0.08} / _{+0.00}	3.500 ^{+0.08} / _{+0.00}	9.58
SWSN-325	3-1/4	3-3/4	13/64	.400	.208 ^{+0.08} / _{+0.00}	3.250	3.500 ^{+0.08} / _{+0.00}	3.750 ^{+0.08} / _{+0.00}	16.99
SWSN-337	3-3/8	3-7/8	13/64	.400	.208 ^{+0.08} / _{+0.00}	3.375	3.625 ^{+0.08} / _{+0.00}	3.875 ^{+0.08} / _{+0.00}	10.84
SWSN-350	3-1/2	4	13/64	.400	.208 ^{+0.08} / _{+0.00}	3.500	3.750 ^{+0.08} / _{+0.00}	4.000 ^{+0.08} / _{+0.00}	12.48

STYLE SWSN WIPERS

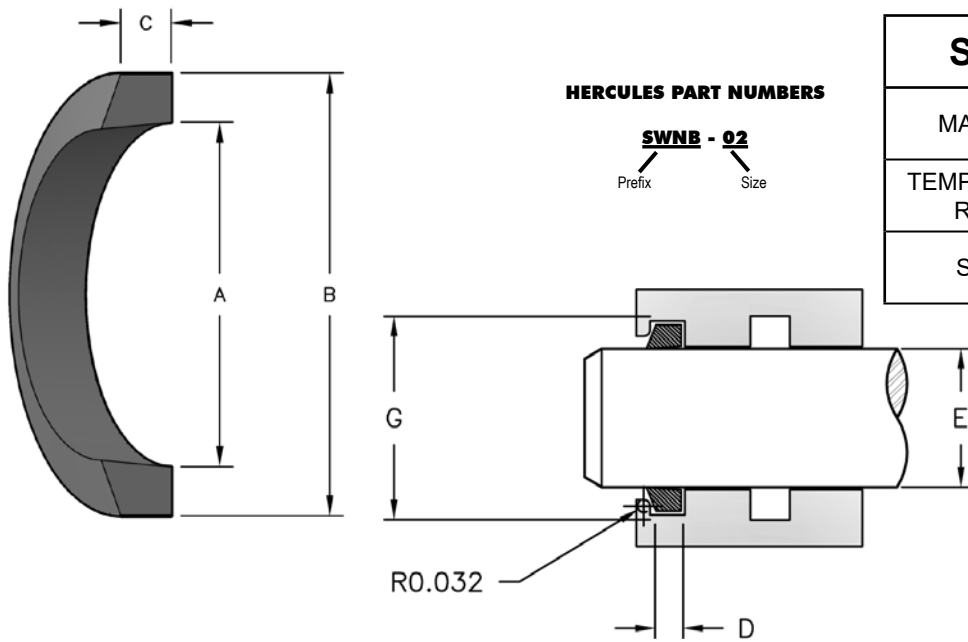


Part Number	A Nom. ID	B Nom. OD	C Nom. Ht	C ₁ OVERALL HEIGHT	D GROOVE WIDTH	E ROD DIAMETER	F THROAT DIAMETER	G HOUSING DIAMETER	List Price
SWSN-362	3-5/8	4-1/8	13/64	.400	.208 ^{+0.008} / _{+0.000}	3.625	3.875 ^{+0.008} / _{+0.000}	4.125 ^{+0.008} / _{+0.000}	13.54
SWSN-400	4	4-1/2	13/64	.400	.208 ^{+0.008} / _{+0.000}	4.000	4.250 ^{+0.008} / _{+0.000}	4.500 ^{+0.008} / _{+0.000}	16.16

WIPER RINGS

STYLE SWNB WIPER RINGS

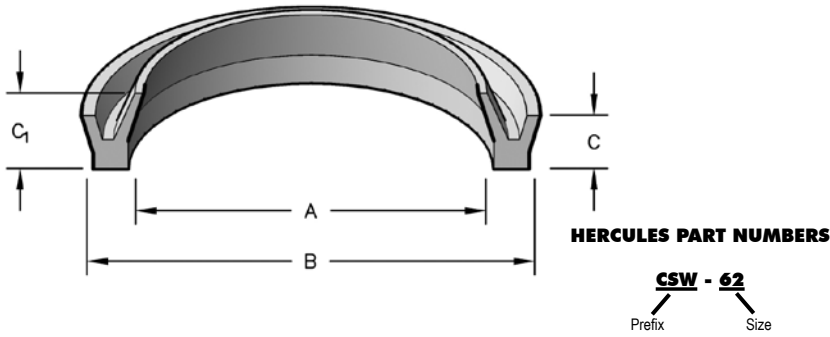
WIPER RINGS



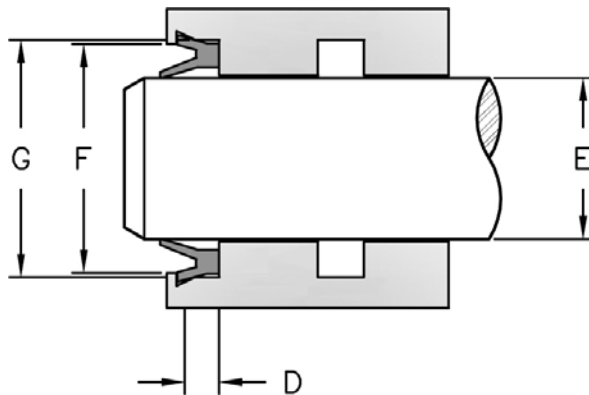
SEAL INFORMATION	
MATERIAL	BUNA-N
TEMPERATURE RANGE	-22° TO +212° F
SPEED	3 FT/SEC

Part Number	A Nom. ID	B Nom. OD	D GROOVE WIDTH	E ROD DIAMETER	G HOUSING DIAMETER	List Price
SWNB-62	5/8	.82	.140	.625	.820	\$5.19
SWNB-75	3/4	.95	.140	.750	.950	8.10
SWNB-87	7/8	1.08	.150	.875	1.080	6.28
SWNB-100	1	1.24	.160	1.000	1.240	5.21
SWNB-112	1-1/8	1-3/8	.160	1.125	1.375	5.42
SWNB-125	1-1/4	1.49	.170	1.250	1.490	6.28
SWNB-137	1-3/8	1-5/8	.170	1.375	1.625	6.28
SWNB-150	1-1/2	1.77	.180	1.500	1.770	5.82
SWNB-175	1-3/4	2.03	.190	1.750	2.030	6.28
SWNB-187	1-7/8	2.16	.190	1.875	2.160	8.63
SWNB-200	2	2.3	.200	2.000	2.300	7.76
SWNB-212	2-1/8	2.43	.210	2.125	2.430	8.63
SWNB-225	2-1/4	2.57	.210	2.250	2.570	7.30
SWNB-237	2-3/8	2.7	.220	2.375	2.700	8.84
SWNB-250	2-1/2	2.84	.220	2.500	2.840	7.53
SWNB-262	2-5/8	2.97	.230	2.625	2.970	8.63
SWNB-275	2-3/4	3.11	.230	2.750	3.110	7.76
SWNB-287	2-7/8	3.24	.240	2.875	3.240	9.27
SWNB-300	3	3.38	.240	3.000	3.380	7.76
SWNB-312	3-1/8	3-1/2	.250	3.125	3.500	8.44
SWNB-350	3-1/2	3.92	.270	3.500	3.920	9.48
SWNB-362	3-5/8	4.05	.270	3.625	4.050	11.88
SWNB-375	3-3/4	4.19	.280	3.750	4.190	9.71

STYLE CSW SNAP-IN WIPER RINGS



SEAL INFORMATION	
MATERIAL	NYLON
TEMPERATURE RANGE	-40° TO +212° F
SPEED	3 FT/SEC



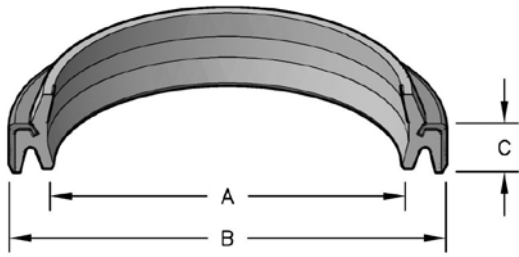
WIPER RINGS

Part Number	A Nom. ID	B Nom. OD	C Nom. Ht	C ₁ OVERALL HEIGHT	D GROOVE WIDTH	E ROD DIAMETER	F THROAT DIAMETER	G HOUSING DIAMETER	List Price
CSW-62	5/8	1	11/64	.250	.172	.625	.938	1.000	\$6.92
CSW-87	7/8	1-3/8	15/64	.345	.235	.875	1.313	1.375	6.06
CSW-100	1	1-1/2	15/64	.345	.235	1.000	1.438	1.500	6.92
CSW-112	1-1/8	1-5/8	15/64	.345	.235	1.125	1.563	1.625	6.23
CSW-125	1-1/4	1-3/4	15/64	.345	.235	1.250	1.688	1.750	7.53
CSW-137	1-3/8	1-7/8	15/64	.345	.235	1.375	1.813	1.875	8.36
CSW-150	1-1/2	2	15/64	.345	.235	1.500	1.938	2.000	6.68
CSW-175	1-3/4	2-1/4	15/64	.345	.235	1.750	2.188	2.250	7.76
CSW-200	2	2-1/2	15/64	.345	.235	2.000	2.438	2.500	8.57
CSW-225	2-1/4	2-3/4	15/64	.345	.235	2.250	2.688	2.750	12.55
CSW-250	2-1/2	3	15/64	.345	.235	2.500	2.938	3.000	11.25
CSW-275	2-3/4	3-1/4	15/64	.345	.235	2.750	3.188	3.250	15.06
CSW-325	3-1/4	3-3/4	15/64	.345	.235	3.250	3.688	3.750	17.54
CSW-350	3-1/2	4	15/64	.345	.235	3.500	3.938	4.000	16.73
CSW-400	4	4-1/2	15/64	.345	.235	4.000	4.438	4.500	19.65



STYLE MCKU METAL CLAD WIPER RINGS

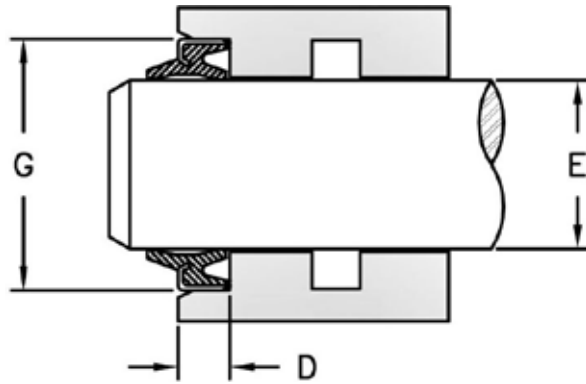
Utilizing a double lip of urethane bonded to a carbon steel case, this wiper prevents contaminant ingress at the wiping lip and around the outer case.



HERCULES PART NUMBERS

MCKU - 2000
Prefix Size

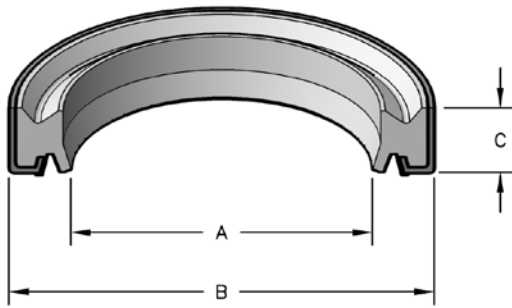
SEAL INFORMATION	
MATERIAL	93A URETHANE
TEMPERATURE RANGE	-31° TO +212° F
SPEED	3 FT/SEC



WIPER RINGS

Part Number	A Nom. ID	B Nom. OD	C Nom. Ht	D GROOVE WIDTH	E ROD DIAMETER	G HOUSING DIAMETER	List Price
MCKU-2000	2	2-1/2	5/16	.313 ^{+0.015} / _{+0.000}	2.000 ^{+0.000} / _{-.0029}	2.500 ^{+0.0075} / _{+0.0000}	\$30.32
MCKU-2250	2-1/4	2-3/4	5/16	.313 ^{+0.015} / _{+0.000}	2.250 ^{+0.0000} / _{-.0029}	2.750 ^{+0.0075} / _{+0.0000}	41.28
MCKU-2500	2-1/2	3	5/16	.313 ^{+0.015} / _{+0.000}	2.500 ^{+0.0000} / _{-.0029}	3.000 ^{+0.0075} / _{+0.0000}	37.67
MCKU-2624	2-5/8	3-1/8	5/16	.313 ^{+0.015} / _{+0.000}	2.625 ^{+0.0000} / _{-.0029}	3.125 ^{+0.0075} / _{+0.0000}	51.05
MCKU-2750	2-3/4	3-1/4	5/16	.313 ^{+0.015} / _{+0.000}	2.750 ^{+0.0000} / _{-.0029}	3.250 ^{+0.0087} / _{+0.0000}	39.07
MCKU-3000	3	3-1/2	5/16	.313 ^{+0.015} / _{+0.000}	3.000 ^{+0.0000} / _{-.0029}	3.500 ^{+0.0087} / _{+0.0000}	40.59
MCKU-3254	3-1/4	3-3/4	5/16	.313 ^{+0.015} / _{+0.000}	3.250 ^{+0.0000} / _{-.0034}	3.750 ^{+0.0087} / _{+0.0000}	44.44
MCKU-3506	3-1/2	4-1/8	5/16	.313 ^{+0.015} / _{+0.000}	3.500 ^{+0.0000} / _{-.0034}	4.125 ^{+0.0087} / _{+0.0000}	45.71
MCKU-4005	4	4-5/8	5/16	.313 ^{+0.015} / _{+0.000}	4.000 ^{+0.0000} / _{-.0034}	4.625 ^{+0.0087} / _{+0.0000}	49.82

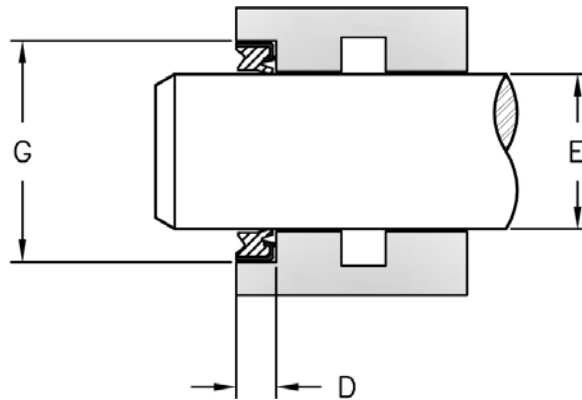
STYLE MCHD METAL CLAD WIPERS



HERCULES PART NUMBERS

MCHD - 1506 - D
 Prefix Size

SEAL INFORMATION	
MATERIAL	92A URETHANE
TEMPERATURE RANGE	-65° TO +230° F
SPEED	3 FT/SEC



WIPER RINGS

Part Number	A Nom. ID	B Nom. OD	C Nom. Ht	D GROOVE WIDTH	E ROD DIAMETER	G HOUSING DIAMETER	List Price
MCHD-1506-D	1-1/2	2-1/4	7/16	.430 ±.020	1.500 ^{+0.00} _{-.003}	2.250 ±.001	\$43.57
MCHD-1755-D	1-3/4	2-7/16	7/16	.430 ±.020	1.750 ^{+0.00} _{-.003}	2.438 ±.001	44.38
MCHD-1876-D	1-7/8	2-9/16	7/16	.430 ±.020	1.875 ^{+0.00} _{-.003}	2.563 ±.001	45.12
MCHD-2006-D	2	2-11/16	7/16	.430 ±.020	2.000 ^{+0.00} _{-.003}	2.688 ±.001	46.50
MCHD-2125-D	2-1/8	2-7/8	7/16	.430 ±.020	2.125 ^{+0.00} _{-.003}	2.875 ±.001	47.51
MCHD-2253-D	2-1/4	3	7/16	.430 ±.020	2.250 ^{+0.00} _{-.003}	3.000 ±.001	48.48
MCHD-2376-D	2-3/8	3-1/8	7/16	.430 ±.020	2.375 ^{+0.00} _{-.003}	3.125 ±.001	50.32
MCHD-2502-D	2-1/2	3-1/4	7/16	.430 ±.020	2.500 ^{+0.00} _{-.003}	3.250 ±.001	52.21
MCHD-2504-D	2-1/2	3-5/16	7/16	.430 ±.020	2.500 ^{+0.00} _{-.003}	3.313 ±.001	52.38
MCHD-2626-D	2-5/8	3-3/8	7/16	.430 ±.020	2.625 ^{+0.00} _{-.003}	3.375 ±.001	43.59
MCHD-2755-D	2-3/4	3-3/4	1/2	.550 ±.020	2.750 ^{+0.00} _{-.003}	3.750 ±.001	55.29
MCHD-3008-D	3	4	1/2	.550 ±.020	3.000 ^{+0.00} _{-.004}	4.000 ±.001	57.13
MCHD-3250-D	3-1/4	4-1/4	1/2	.550 ±.020	3.250 ^{+0.00} _{-.004}	4.250 ±.001	58.77
MCHD-3508-D	3-1/2	4-1/2	1/2	.550 ±.020	3.500 ^{+0.00} _{-.004}	4.500 ±.001	60.21
MCHD-3751-D	3-3/4	4-3/4	1/2	.550 ±.020	3.750 ^{+0.00} _{-.004}	4.750 ±.001	61.29
MCHD-4000-D	4	5	1/2	.550 ±.020	4.000 ^{+0.00} _{-.004}	5.000 ±.001	61.69

FORMERLY LISTED REPAIR PARTS ARE AVAILABLE ONLINE AT WWW.HERCULESUS.COM
 OR BY CONTACTING YOUR REGIONAL HERCULES SALES TEAM.



STYLE MCHD METAL CLAD WIPERS

WIPER RINGS

Part Number	A Nom. ID	B Nom. OD	C Nom. Ht	D GROOVE WIDTH	E ROD DIAMETER	G HOUSING DIAMETER	List Price
MCHD-4250-D	4-1/4	5-1/4	1/2	.550 ±.020	4.250 ^{+0.000} -0.004	5.250 ±.001	77.20
MCHD-4508-D	4-1/2	5-1/2	1/2	.550 ±.020	4.500 ^{+0.000} -0.004	5.500 ±.001	87.19
MCHD-5002-D	5	6	1/2	.550 ±.020	5.000 ^{+0.000} -0.004	6.000 ±.001	103.93
MCHD-5503-D	5-1/2	6-1/2	1/2	.550 ±.020	5.500 ^{+0.000} -0.004	6.500 ±.001	65.33
MCHD-5751	5-3/4	6-3/4	.55	.550 ±.020	5.750 ^{+0.000} -0.004	6.750 ±.001	58.21
MCHD-6002-D	6	7	1/2	.550 ±.020	6.000 ^{+0.000} -0.004	7.000 ±.001	52.34
MCHD-6500-D	6-1/2	7-1/2	1/2	.550 ±.020	6.500 ^{+0.000} -0.004	7.500 ±.001	54.76
MCHD-7002-D	7	8	1/2	.550 ±.020	7.000 ^{+0.000} -0.005	8.000 ±.001	128.38
MCHD-8002-D	8	9	1/2	.550 ±.020	8.000 ^{+0.000} -0.005	9.000 ±.001	223.52

E-NEWSLETTER

Enter your E-Mail Address to Receive
the Hercules E-Newsletter which Features
Monthly Specials, Company Notifications
and New Product Announcements

Your email:

**Sign Up to Receive Our Periodic E-Newsletter
Featuring Web-Only Specials
and New Product Announcements.**

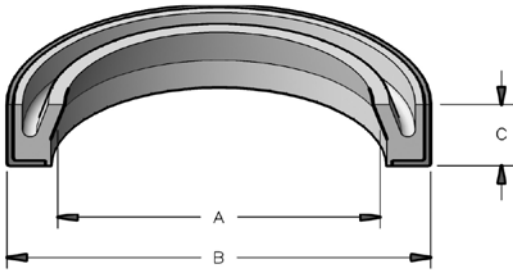
**Simply Provide Your E-Mail Address on the
Home Page of the Hercules Website - www.HerculesUS.com.**

It's Just That Easy! Opt-Out at Any Time with One Click.

STYLE MCU HEAVY DUTY METAL CLAD WIPER RINGS



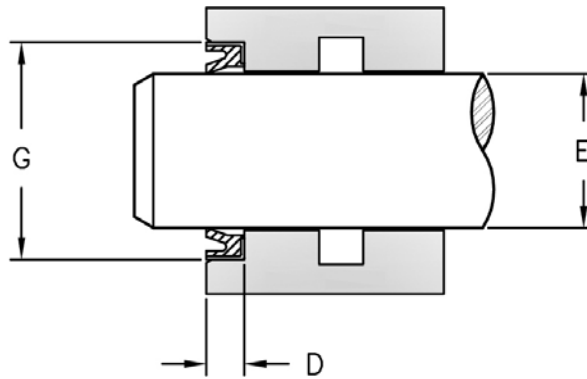
Utilizing a sturdy metal case, these wipers are molded from the same high performance urethane used in our Heavy Duty U-seals. Built for severe service, these wipers are capable of surviving hostile environments.



HERCULES PART NUMBERS

MCU - 0625 - D

Prefix Size



SEAL INFORMATION	
MATERIAL	92A URETHANE
TEMPERATURE RANGE	-65° TO +230° F
SPEED	3 FT/SEC

WIPER RINGS

Part Number	A Nom. ID	B Nom. OD	C Nom. Ht	D GROOVE WIDTH	E ROD DIAMETER	G HOUSING DIAMETER	List Price
MCU-0625-D	5/8	1-1/8	5/16	.313 ⁺⁰¹⁵ / ₊₀₀₀	.625 ⁺⁰⁰⁰ / _{-.003}	1.125 ±.001	\$12.28
MCU-0750-D	3/4	1-1/4	5/16	.313 ⁺⁰¹⁵ / ₊₀₀₀	.750 ⁺⁰⁰⁰ / _{-.003}	1.250 ±.001	11.29
MCU-0875-D	7/8	1-3/8	5/16	.313 ⁺⁰¹⁵ / ₊₀₀₀	.875 ⁺⁰⁰⁰ / _{-.003}	1.375 ±.001	13.30
MCU-1000-D	1	1-1/2	5/16	.313 ⁺⁰¹⁵ / ₊₀₀₀	1.000 ⁺⁰⁰⁰ / _{-.003}	1.500 ±.001	17.10
MCU-1120-D	1-1/8	1-5/8	5/16	.313 ⁺⁰¹⁵ / ₊₀₀₀	1.125 ⁺⁰⁰⁰ / _{-.003}	1.625 ±.001	18.39
MCU-1187-G	1-3/16	1-5/8	1/4	.250 ⁺⁰¹⁵ / ₊₀₀₀	1.187 ⁺⁰⁰⁰ / _{-.003}	1.625 ±.001	16.48
MCU-1254-D	1-1/4	1-3/4	1/4	.250 ⁺⁰¹⁵ / ₊₀₀₀	1.250 ⁺⁰⁰⁰ / _{-.003}	1.750 ±.001	25.59
MCU-1250-D	1-1/4	1-3/4	5/16	.313 ⁺⁰¹⁵ / ₊₀₀₀	1.250 ⁺⁰⁰⁰ / _{-.003}	1.750 ±.001	22.13
MCU-1255	1-1/4	2.062	3/8	.375 ⁺⁰¹⁵⁰ / _{-.3375}	1.250 ⁺⁰⁰⁰ / _{-.003}	2.063 ±.001	11.64
MCU-1375-D	1-3/8	1-7/8	5/16	.313 ⁺⁰¹⁵ / ₊₀₀₀	1.375 ⁺⁰⁰⁰ / _{-.003}	1.875 ±.001	22.39
MCU-1501-D	1-1/2	1-7/8	1/4	.250 ⁺⁰¹⁵ / ₊₀₀₀	1.500 ⁺⁰⁰⁰ / _{-.003}	1.875 ±.001	22.43
MCU-1502-D	1-1/2	2	1/4	.250 ⁺⁰¹⁵ / ₊₀₀₀	1.500 ⁺⁰⁰⁰ / _{-.003}	2.000 ±.001	23.20
MCU-1500-D	1-1/2	2	5/16	.313 ⁺⁰¹⁵ / ₊₀₀₀	1.500 ⁺⁰⁰⁰ / _{-.003}	2.000 ±.001	22.62
MCU-1505-G	1-1/2	2-1/8	5/16	.313 ⁺⁰¹⁵ / ₊₀₀₀	1.500 ⁺⁰⁰⁰ / _{-.003}	2.125 ±.001	17.27
MCU-1506-D	1-1/2	2-1/4	3/8	.375 ⁺⁰¹⁵ / ₊₀₀₀	1.500 ⁺⁰⁰⁰ / _{-.003}	2.250 ±.001	23.57
MCU-1624-D	1-5/8	2-1/8	1/4	.250 ⁺⁰¹⁵ / ₊₀₀₀	1.625 ⁺⁰⁰⁰ / _{-.003}	2.125 ±.001	24.56



STYLE MCU HEAVY DUTY METAL CLAD WIPER RINGS

WIPER RINGS

Part Number	A Nom. ID	B Nom. OD	C Nom. Ht	D GROOVE WIDTH	E ROD DIAMETER	G HOUSING DIAMETER	List Price
MCU-1625-D	1-5/8	2-1/8	5/16	.313 ^{+0.015} / _{+0.000}	1.625 ^{+0.000} / _{-.003}	2.125 ±.001	23.90
MCU-1751-D	1-3/4	2-1/4	1/4	.250 ^{+0.015} / _{+0.000}	1.750 ^{+0.000} / _{-.003}	2.250 ±.001	24.43
MCU-1750-D	1-3/4	2-1/4	5/16	.313 ^{+0.015} / _{+0.000}	1.750 ^{+0.000} / _{-.003}	2.250 ±.001	24.43
MCU-1755-D	1-3/4	2-7/16	3/8	.375 ^{+0.015} / _{+0.000}	1.750 ^{+0.000} / _{-.003}	2.438 ±.001	24.87
MCU-1756-G	1-3/4	2-1/2	3/8	.375 ^{+0.015} / _{+0.000}	1.750 ^{+0.000} / _{-.003}	2.500 ±.001	27.97
MCU-1875-D	1-7/8	2-3/8	5/16	.313 ^{+0.015} / _{+0.000}	1.875 ^{+0.000} / _{-.003}	2.375 ±.001	25.02
MCU-1876-D	1-7/8	2-9/16	3/8	.375 ^{+0.015} / _{+0.000}	1.875 ^{+0.000} / _{-.003}	2.563 ±.001	26.66
MCU-2001-G	2	2-3/8	1/4	.250 ^{+0.015} / _{+0.000}	2.000 ^{+0.000} / _{-.003}	2.375 ±.001	22.03
MCU-2002-D	2	2-1/2	1/4	.250 ^{+0.015} / _{+0.000}	2.000 ^{+0.000} / _{-.003}	2.500 ±.001	28.15
MCU-2000-D	2	2-1/2	5/16	.313 ^{+0.015} / _{+0.000}	2.000 ^{+0.000} / _{-.003}	2.500 ±.001	25.34
MCU-2004-D	2	2-5/8	1/4	.250 ^{+0.015} / _{+0.000}	2.000 ^{+0.000} / _{-.003}	2.625 ±.001	29.93
MCU-2006-D	2	2-11/16	3/8	.375 ^{+0.015} / _{+0.000}	2.000 ^{+0.000} / _{-.003}	2.688 ±.001	32.00
MCU-2003-G	2	2-3/4	3/8	.375 ^{+0.015} / _{+0.000}	2.000 ^{+0.000} / _{-.003}	2.750 ±.001	25.23
MCU-2126-G	2-1/8	2-1/2	3/16	.188 ^{+0.015} / _{+0.000}	2.125 ^{+0.000} / _{-.003}	2.500 ±.001	32.87
MCU-2124-D	2-1/8	2-5/8	5/16	.313 ^{+0.015} / _{+0.000}	2.125 ^{+0.000} / _{-.003}	2.625 ±.001	27.36
MCU-2125-D	2-1/8	2-7/8	3/8	.375 ^{+0.015} / _{+0.000}	2.125 ^{+0.000} / _{-.003}	2.875 ±.001	18.53
MCU-2188-D	2-3/16	2-11/16	3/8	.375 ^{+0.015} / _{+0.000}	2.187 ^{+0.000} / _{-.003}	2.688 ±.001	33.24
MCU-2251-D	2-1/4	2-3/4	1/4	.250 ^{+0.015} / _{+0.000}	2.250 ^{+0.000} / _{-.003}	2.750 ±.001	27.13
MCU-2250-D	2-1/4	2-3/4	5/16	.313 ^{+0.015} / _{+0.000}	2.250 ^{+0.000} / _{-.003}	2.750 ±.001	27.13
MCU-2252-G	2-1/4	3	1/4	.250 ^{+0.015} / _{+0.000}	2.250 ^{+0.000} / _{-.003}	3.000 ±.001	27.90
MCU-2253-D	2-1/4	3	3/8	.375 ^{+0.015} / _{+0.000}	2.250 ^{+0.000} / _{-.003}	3.000 ±.001	28.38
MCU-2375-D	2-3/8	2-7/8	5/16	.313 ^{+0.015} / _{+0.000}	2.375 ^{+0.000} / _{-.003}	2.875 ±.001	23.26
MCU-2376-D	2-3/8	3-1/8	3/8	.375 ^{+0.015} / _{+0.000}	2.375 ^{+0.000} / _{-.003}	3.125 ±.001	23.44
MCU-2503-D	2-1/2	3	3/16	.188 ^{+0.015} / _{+0.000}	2.500 ^{+0.000} / _{-.003}	3.000 ±.001	27.54
MCU-2500-D	2-1/2	3	5/16	.313 ^{+0.015} / _{+0.000}	2.500 ^{+0.000} / _{-.003}	3.000 ±.001	30.71
MCU-2504-G	2-1/2	3-3/16	3/8	.375 ^{+0.015} / _{+0.000}	2.500 ^{+0.000} / _{-.003}	3.188 ±.001	51.71
MCU-2501-D	2-1/2	3-1/4	1/4	.250 ^{+0.015} / _{+0.000}	2.500 ^{+0.000} / _{-.003}	3.250 ±.001	24.42
MCU-2502-D	2-1/2	3-1/4	3/8	.375 ^{+0.015} / _{+0.000}	2.500 ^{+0.000} / _{-.003}	3.250 ±.001	31.22
MCU-2625-D	2-5/8	3-1/8	1/4	.250 ^{+0.015} / _{+0.000}	2.625 ^{+0.000} / _{-.003}	3.125 ±.001	31.22
MCU-2624-D	2-5/8	3-1/8	5/16	.313 ^{+0.015} / _{+0.000}	2.625 ^{+0.000} / _{-.003}	3.125 ±.001	35.64
MCU-2626-G	2-5/8	3-3/8	3/8	.375 ^{+0.015} / _{+0.000}	2.625 ^{+0.000} / _{-.003}	3.375 ±.001	106.10
MCU-2750-D	2-3/4	3-1/4	5/16	.313 ^{+0.015} / _{+0.000}	2.750 ^{+0.000} / _{-.003}	3.250 ±.001	34.77
MCU-2754-D	2-3/4	3-1/2	1/4	.250 ^{+0.015} / _{+0.000}	2.750 ^{+0.000} / _{-.003}	3.500 ±.001	29.54

STYLE MCU HEAVY DUTY METAL CLAD WIPER RINGS



WIPER RINGS

Part Number	A Nom. ID	B Nom. OD	C Nom. Ht	D GROOVE WIDTH	E ROD DIAMETER	G HOUSING DIAMETER	List Price
MCU-2756-G	2-3/4	3-1/2	3/8	.375 ^{+0.015} / _{+0.000}	2.750 ^{+0.000} / _{-0.003}	3.500 ±0.001	31.52
MCU-2758-D	2-3/4	3-1/2	1/2	.500 ^{+0.015} / _{+0.000}	2.750 ^{+0.000} / _{-0.003}	3.500 ±0.001	45.59
MCU-2755-D	2-3/4	3-3/4	1/2	.500 ^{+0.015} / _{+0.000}	2.750 ^{+0.000} / _{-0.003}	3.750 ±0.001	37.87
MCU-3000-D	3	3-1/2	5/16	.313 ^{+0.015} / _{+0.000}	3.000 ^{+0.000} / _{-0.004}	3.500 ±0.001	35.76
MCU-3002-D	3	3-3/4	1/4	.250 ^{+0.015} / _{+0.000}	3.000 ^{+0.000} / _{-0.004}	3.750 ±0.001	35.76
MCU-3008-D	3	4	1/2	.500 ^{+0.015} / _{+0.000}	3.000 ^{+0.000} / _{-0.004}	4.000 ±0.001	41.50
MCU-3125-D	3-1/8	3-3/4	3/8	.375 ^{+0.015} / _{+0.000}	3.125 ^{+0.000} / _{-0.004}	3.750 ±0.001	31.85
MCU-3254-D	3-1/4	3-3/4	5/16	.313 ^{+0.015} / _{+0.000}	3.250 ^{+0.000} / _{-0.004}	3.750 ±0.001	34.60
MCU-3256-D	3-1/4	3-7/8	5/16	.313 ^{+0.015} / _{+0.000}	3.250 ^{+0.000} / _{-0.004}	3.875 ±0.001	34.60
MCU-3250-D	3-1/4	4-1/4	1/2	.500 ^{+0.015} / _{+0.000}	3.250 ^{+0.000} / _{-0.004}	4.250 ±0.001	42.39
MCU-3375-D	3-3/8	4	5/16	.313 ^{+0.015} / _{+0.000}	3.375 ^{+0.000} / _{-0.004}	4.000 ±0.001	27.62
MCU-3500-D	3-1/2	4	5/16	.313 ^{+0.015} / _{+0.000}	3.500 ^{+0.000} / _{-0.004}	4.000 ±0.001	34.77
MCU-3506-D	3-1/2	4-1/8	5/16	.313 ^{+0.015} / _{+0.000}	3.500 ^{+0.000} / _{-0.004}	4.125 ±0.001	47.71
MCU-3504-D	3-1/2	4-1/4	1/4	.250 ^{+0.015} / _{+0.000}	3.500 ^{+0.000} / _{-0.004}	4.250 ±0.001	48.59
MCU-3508-D	3-1/2	4-1/2	1/2	.500 ^{+0.015} / _{+0.000}	3.500 ^{+0.000} / _{-0.004}	4.500 ±0.001	49.40
MCU-3750-D	3-3/4	4-1/4	5/16	.313 ^{+0.015} / _{+0.000}	3.750 ^{+0.000} / _{-0.004}	4.250 ±0.001	55.85
MCU-3754-D	3-3/4	4-3/8	5/16	.313 ^{+0.015} / _{+0.000}	3.750 ^{+0.000} / _{-0.004}	4.375 ±0.001	57.40
MCU-3755-D	3-3/4	4-1/2	5/16	.313 ^{+0.015} / _{+0.000}	3.750 ^{+0.000} / _{-0.004}	4.500 ±0.001	45.05
MCU-3751-D	3-3/4	4-3/4	1/2	.500 ^{+0.015} / _{+0.000}	3.750 ^{+0.000} / _{-0.004}	4.750 ±0.001	42.31
MCU-4005-D	4	4-5/8	5/16	.313 ^{+0.015} / _{+0.000}	4.000 ^{+0.000} / _{-0.004}	4.625 ±0.001	67.19
MCU-4002-D	4	4-3/4	5/16	.313 ^{+0.015} / _{+0.000}	4.000 ^{+0.000} / _{-0.004}	4.750 ±0.001	69.05
MCU-4000-D	4	5	1/2	.500 ^{+0.015} / _{+0.000}	4.000 ^{+0.000} / _{-0.004}	5.000 ±0.001	54.28
MCU-4252-D	4-1/4	4-3/4	5/16	.313 ^{+0.015} / _{+0.000}	4.250 ^{+0.000} / _{-0.004}	4.750 ±0.001	55.43
MCU-4250-D	4-1/4	5-1/4	1/2	.500 ^{+0.015} / _{+0.000}	4.250 ^{+0.000} / _{-0.004}	5.250 ±0.001	69.61
MCU-4375-D	4-3/8	5	5/16	.313 ^{+0.015} / _{+0.000}	4.375 ^{+0.000} / _{-0.004}	5.000 ±0.001	82.46
MCU-4505-D	4-1/2	5-1/8	5/16	.313 ^{+0.015} / _{+0.000}	4.500 ^{+0.000} / _{-0.004}	5.125 ±0.001	93.10
MCU-4506-G	4-1/2	5-1/4	5/16	.313 ^{+0.015} / _{+0.000}	4.500 ^{+0.000} / _{-0.004}	5.250 ±0.001	55.76
MCU-4507-D	4-1/2	5-1/2	5/16	.313 ^{+0.015} / _{+0.000}	4.500 ^{+0.000} / _{-0.004}	5.500 ±0.001	44.63
MCU-4508-D	4-1/2	5-1/2	1/2	.500 ^{+0.015} / _{+0.000}	4.500 ^{+0.000} / _{-0.004}	5.500 ±0.001	93.10
MCU-4751-D	4-3/4	5-3/8	5/16	.313 ^{+0.015} / _{+0.000}	4.750 ^{+0.000} / _{-0.004}	5.375 ±0.001	74.11
MCU-4750-D	4-3/4	5-3/4	1/2	.500 ^{+0.015} / _{+0.000}	4.750 ^{+0.000} / _{-0.004}	5.750 ±0.001	75.93
MCU-5001-G	5	5-5/8	5/16	.313 ^{+0.015} / _{+0.000}	5.000 ^{+0.000} / _{-0.004}	5.625 ±0.001	70.91
MCU-5003	5	5-5/8	3/8	.375 ^{+0.015} / _{+0.000}	5.000 ^{+0.000} / _{-0.004}	5.625 ±0.001	33.69

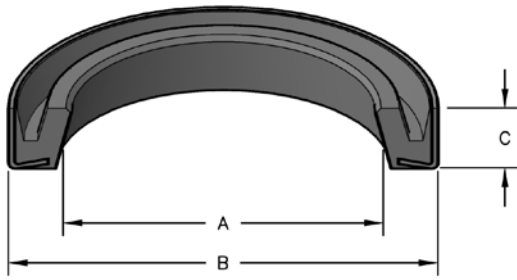


STYLE MCU HEAVY DUTY METAL CLAD WIPER RINGS

WIPER RINGS

Part Number	A Nom. ID	B Nom. OD	C Nom. Ht	D GROOVE WIDTH	E ROD DIAMETER	G HOUSING DIAMETER	List Price
MCU-5000-D	5	5-3/4	5/16	.313 ⁺⁰¹⁵ / ₊₀₀₀	5.000 ⁺⁰⁰⁰ / _{-.004}	5.750 ±.001	74.11
MCU-5002-D	5	6	1/2	.500 ⁺⁰¹⁵ / ₊₀₀₀	5.000 ⁺⁰⁰⁰ / _{-.004}	6.000 ±.001	100.78
MCU-5250-D	5-1/4	6	5/16	.313 ⁺⁰¹⁵ / ₊₀₀₀	5.250 ⁺⁰⁰⁰ / _{-.004}	6.000 ±.001	107.15
MCU-5500-D	5-1/2	6-1/8	3/8	.375 ⁺⁰¹⁵ / ₊₀₀₀	5.500 ⁺⁰⁰⁰ / _{-.004}	6.125 ±.001	80.96
MCU-5502-G	5-1/2	6-1/4	5/16	.313 ⁺⁰¹⁵ / ₊₀₀₀	5.500 ⁺⁰⁰⁰ / _{-.004}	6.250 ±.001	63.59
MCU-5750-D	5-3/4	6-3/8	3/8	.375 ⁺⁰¹⁵ / ₊₀₀₀	5.750 ⁺⁰⁰⁰ / _{-.004}	6.375 ±.001	113.13
MCU-5752	5-3/4	6-1/2	.406	.406 ⁺⁰¹⁵ / ₊₀₀₀	5.750 ⁺⁰⁰⁰ / _{-.004}	6.500 ±.001	62.57
MCU-5751-D	5-3/4	6-3/4	1/2	.500 ⁺⁰¹⁵ / ₊₀₀₀	5.750 ⁺⁰⁰⁰ / _{-.004}	6.750 ±.001	66.07
MCU-6001-D	6	6-5/8	3/8	.375 ⁺⁰¹⁵ / ₊₀₀₀	6.000 ⁺⁰⁰⁰ / _{-.004}	6.625 ±.001	107.76
MCU-6000-D	6	6-3/4	3/8	.375 ⁺⁰¹⁵ / ₊₀₀₀	6.000 ⁺⁰⁰⁰ / _{-.004}	6.750 ±.001	107.16
MCU-6002-D	6	7	1/2	.500 ⁺⁰¹⁵ / ₊₀₀₀	6.000 ⁺⁰⁰⁰ / _{-.004}	7.000 ±.001	137.10
MCU-6250-D	6-1/4	6-3/4	5/16	.313 ⁺⁰¹⁵ / ₊₀₀₀	6.250 ⁺⁰⁰⁰ / _{-.004}	6.750 ±.001	161.12
MCU-6503-D	6-1/2	7-1/4	5/16	.313 ⁺⁰¹⁵ / ₊₀₀₀	6.500 ⁺⁰⁰⁰ / _{-.004}	7.250 ±.001	134.69
MCU-6500-D	6-1/2	7-1/2	5/8	.625 ⁺⁰¹⁵ / ₊₀₀₀	6.500 ⁺⁰⁰⁰ / _{-.004}	7.500 ±.001	105.93
MCU-6751-D	6-3/4	7-1/4	5/16	.313 ⁺⁰¹⁵ / ₊₀₀₀	6.750 ⁺⁰⁰⁰ / _{-.004}	7.250 ±.001	134.69
MCU-6750-G	6-3/4	7-3/8	3/8	.375 ⁺⁰¹⁵ / ₊₀₀₀	6.750 ⁺⁰⁰⁰ / _{-.004}	7.375 ±.001	138.43
MCU-6753-D	6-3/4	7-3/4	1/2	.500 ⁺⁰¹⁵ / ₊₀₀₀	6.750 ⁺⁰⁰⁰ / _{-.004}	7.750 ±.001	103.01
MCU-7000-G	7	7-3/4	5/16	.313 ⁺⁰¹⁵ / ₊₀₀₀	7.000 ⁺⁰⁰⁰ / _{-.005}	7.750 ±.001	140.73
MCU-7002-D	7	8	1/2	.500 ⁺⁰¹⁵ / ₊₀₀₀	7.000 ⁺⁰⁰⁰ / _{-.005}	8.000 ±.001	142.27
MCU-8000-D	8	8-3/4	3/8	.375 ⁺⁰¹⁵ / ₊₀₀₀	8.000 ⁺⁰⁰⁰ / _{-.005}	8.750 ±.001	177.16
MCU-8120-D	8-1/8	8-5/8	5/16	.313 ⁺⁰¹⁵ / ₊₀₀₀	8.125 ⁺⁰⁰⁰ / _{-.005}	8.625 ±.001	124.94
MCU-9000-D	9	9-3/4	1/2	.551 ±.039	9.000 ⁺⁰⁰⁰ / _{-.005}	9.752 ±.003	199.48
MCU-11000-D	11	12	.55	.550 ⁺⁰¹⁵ / ₊₀₀₀	11.000 ⁺⁰⁰⁰ / _{-.006}	12.000 ±.001	194.52
MCU-12500-D	12-1/2	13-1/2	.55	.550 ⁺⁰¹⁵ / ₊₀₀₀	12.500 ⁺⁰⁰⁰ / _{-.006}	13.500 ±.001	203.15
MCU-13500-D	13-1/2	14-1/2	.55	.550 ⁺⁰¹⁵ / ₊₀₀₀	13.500 ⁺⁰⁰⁰ / _{-.006}	14.500 ±.001	208.53

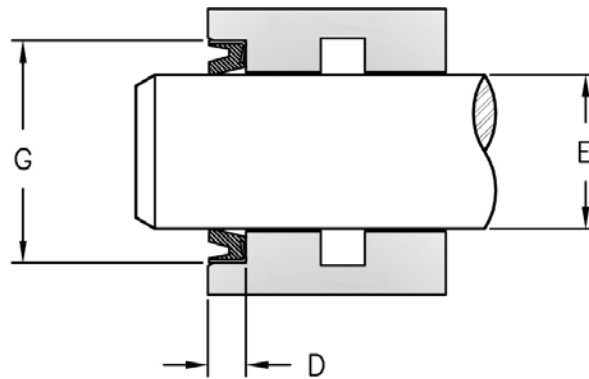
STYLE MCN METAL CLAD WIPERS - RUBBER LIP



HERCULES PART NUMBERS

MCN - 0500
Prefix Size

SEAL INFORMATION	
MATERIAL	RUBBER
TEMPERATURE RANGE	-40° TO +240° F
SPEED	3 FT/SEC



WIPER RINGS

Part Number	A Nom. ID	B Nom. OD	C Nom. Ht	D GROOVE WIDTH	E ROD DIAMETER	G HOUSING DIAMETER	List Price
MCN-0375	3/8	.63	.13	.130 ±.015	.375 ±.015	.630 ±.001	\$3.85
MCN-0500	1/2	11/16	3/32	.094 ±.015	.500 ±.003	.688 ±.001	4.09
MCN-0501	1/2	3/4	1/8	.125 ±.015	.500 ±.003	.750 ±.001	6.03
MCN-0626	5/8	7/8	1/8	.125 ±.015	.625 ±.003	.875 ±.001	4.66
MCN-0625	5/8	15/16	3/16	.188 ±.015	.625 ±.003	.938 ±.001	4.66
MCN-0751	3/4	1	1/8	.125 ±.015	.750 ±.003	1.000 ±.001	5.09
MCN-0750	3/4	1-1/4	1/4	.250 ±.015	.750 ±.003	1.250 ±.001	4.71
MCN-0873	7/8	1-1/8	1/8	.125 ±.015	.875 ±.003	1.125 ±.001	4.92
MCN-0875	7/8	1-1/4	3/16	.188 ±.015	.875 ±.003	1.250 ±.001	7.96
MCN-1001	1	1-1/4	1/8	.125 ±.015	1.000 ±.003	1.250 ±.001	4.92
MCN-1006	1	1-5/16	1/8	.125 ±.015	1.000 ±.003	1.313 ±.001	9.63
MCN-1003	1	1-3/8	3/16	.188 ±.015	1.000 ±.003	1.375 ±.001	5.68
MCN-1004	1	1-7/16	1/4	.250 ±.015	1.000 ±.003	1.438 ±.001	6.59
MCN-1005	1	1-1/2	3/16	.188 ±.015	1.000 ±.003	1.500 ±.001	4.74
MCN-1060	1-1/16	1-1/2	3/16	.188 ±.015	1.062 ±.003	1.500 ±.001	6.40
MCN-1126	1-1/8	1-3/8	1/8	.125 ±.015	1.125 ±.003	1.375 ±.001	4.74
MCN-1125	1-1/8	1-1/2	3/16	.188 ±.015	1.125 ±.003	1.500 ±.001	7.30
MCN-1127	1-1/8	1-9/16	1/4	.250 ±.015	1.125 ±.003	1.563 ±.001	5.11
MCN-1129	1-1/8	1-5/8	1/4	.250 ±.015	1.125 ±.003	1.625 ±.001	4.74
MCN-1251	1-1/4	1-1/2	1/8	.125 ±.015	1.250 ±.003	1.500 ±.001	4.74
MCN-1256	1-1/4	1-5/8	1/4	.250 ±.015	1.250 ±.003	1.625 ±.001	5.28
MCN-1253	1-1/4	1-11/16	3/16	.188 ±.015	1.250 ±.003	1.688 ±.001	5.11
MCN-1254	1-1/4	1-3/4	1/4	.250 ±.015	1.250 ±.003	1.750 ±.001	6.56
MCN-1255	1-1/4	1-7/8	1/4	.250 ±.015	1.250 ±.003	1.875 ±.001	7.47
MCN-1377	1-3/8	1-5/8	1/8	.125 ±.015	1.375 ±.003	1.625 ±.001	8.07
MCN-1375	1-3/8	1-3/4	3/16	.188 ±.015	1.375 ±.003	1.750 ±.001	5.11
MCN-1376	1-3/8	1-7/8	1/4	.250 ±.015	1.375 ±.003	1.875 ±.001	7.40
MCN-1503	1-1/2	1-7/8	3/16	.188 ±.015	1.500 ±.003	1.875 ±.001	5.11
MCN-1502	1-1/2	1-7/8	1/4	.250 ±.015	1.500 ±.003	1.875 ±.001	5.61

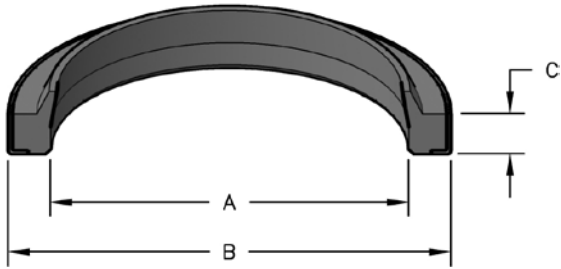


STYLE MCN METAL CLAD WIPERS - RUBBER LIP

WIPER RINGS

Part Number	A Nom. ID	B Nom. OD	C Nom. Ht	D GROOVE WIDTH	E ROD DIAMETER	G HOUSING DIAMETER	List Price
MCN-1504	1-1/2	2	1/4	.250 ±.015	1.500 ±.003	2.000 ±.001	5.73
MCN-1625	1-5/8	2-1/8	1/4	.250 ±.015	1.625 ±.003	2.125 ±.001	7.82
MCN-1626	1-5/8	2-5/8	1/4	.250 ±.015	1.625 ±.003	2.625 ±.001	21.09
MCN-1753	1-3/4	2-1/8	3/16	.188 ±.015	1.750 ±.003	2.125 ±.001	12.28
MCN-1754	1-3/4	2-1/4	1/4	.250 ±.015	1.750 ±.003	2.250 ±.001	8.32
MCN-1755	1-3/4	2-3/8	1/4	.250 ±.015	1.750 ±.003	2.375 ±.001	8.49
MCN-1756	1-3/4	2-5/8	1/4	.250 ±.015	1.750 ±.003	2.625 ±.001	8.73
MCN-1877	1-7/8	2-1/4	3/16	.188 ±.015	1.875 ±.003	2.250 ±.001	13.94
MCN-1879	1-7/8	2-1/2	1/4	.250 ±.015	1.875 ±.003	2.500 ±.001	9.01
MCN-2001	2	2-3/8	3/16	.188 ±.015	2.000 ±.003	2.375 ±.001	9.01
MCN-2003	2	2-1/2	1/4	.250 ±.015	2.000 ±.003	2.500 ±.001	8.86
MCN-2002	2	2-5/8	1/4	.250 ±.015	2.000 ±.003	2.625 ±.001	9.29
MCN-2006	2	2-3/4	1/4	.250 ±.015	2.000 ±.003	2.750 ±.001	11.95
MCN-2007	2	2-7/8	15/32	.469 ±.015	2.000 ±.003	2.875 ±.001	17.20
MCN-2125	2-1/8	2-1/2	3/16	.188 ±.015	2.125 ±.003	2.500 ±.001	10.60
MCN-2251	2-1/4	2-5/8	1/4	.250 ±.015	2.250 ±.003	2.625 ±.001	10.60
MCN-2253	2-1/4	2-3/4	1/4	.250 ±.015	2.250 ±.003	2.750 ±.001	10.60
MCN-2255	2-1/4	2-7/8	1/4	.250 ±.015	2.250 ±.003	2.875 ±.001	10.60
MCN-2371	2-3/8	3	1/4	.250 ±.015	2.375 ±.003	3.000 ±.001	11.00
MCN-2501	2-1/2	3	1/4	.250 ±.015	2.500 ±.003	3.000 ±.001	10.87
MCN-2504	2-1/2	3-1/8	1/4	.250 ±.015	2.500 ±.003	3.125 ±.001	14.28
MCN-2660	2.66	3-1/4	3/8	.375 ±.015	2.660 ±.003	3.250 ±.001	12.24
MCN-2751	2-3/4	3-1/8	3/16	.188 ±.015	2.750 ±.003	3.125 ±.001	10.57
MCN-2750	2-3/4	3-1/4	1/4	.250 ±.015	2.750 ±.003	3.250 ±.001	12.47
MCN-2756	2-3/4	3-3/4	3/8	.375 ±.015	2.750 ±.003	3.750 ±.001	15.65
MCN-3001	3	3-1/2	1/4	.250 ±.015	3.000 ±.003	3.500 ±.001	11.84
MCN-3003	3	3-3/4	1/4	.250 ±.015	3.000 ±.003	3.750 ±.001	13.09
MCN-3504	3-1/2	4	1/4	.250 ±.015	3.500 ±.003	4.000 ±.001	16.73

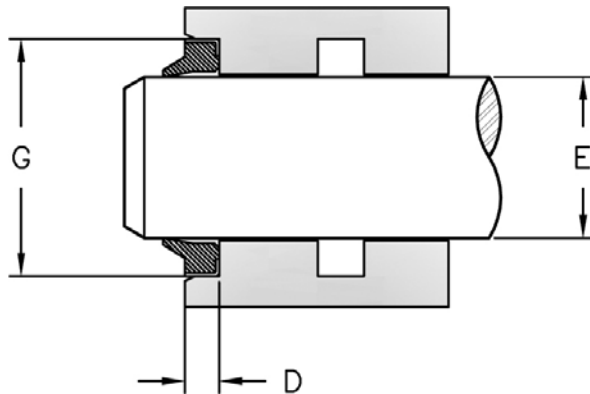
STYLE CWN METAL CLAD WIPERS



HERCULES PART NUMBERS

CWN - 075
 Prefix Size

SEAL INFORMATION	
MATERIAL	BUNA-N
TEMPERATURE RANGE	-22° TO +212° F
SPEED	3 FT/SEC



Part Number	A Nom. ID	B Nom. OD	C Nom. Ht	D GROOVE WIDTH	E ROD DIAMETER	G HOUSING DIAMETER	List Price
CWN-075	3/4	1-1/8	3/16	.187 ^{+0.015} / _{+0.000}	.750	1.125 ±.001	\$3.91
CWN-100	1	1-3/8	3/16	.187 ^{+0.015} / _{+0.000}	1.000	1.375 ±.001	4.48
CWN-112	1-1/8	1-1/2	3/16	.187 ^{+0.015} / _{+0.000}	1.125	1.500 ±.001	4.26
CWN-125	1-1/4	1-5/8	3/16	.187 ^{+0.015} / _{+0.000}	1.250	1.625 ±.001	4.45
CWU-1250	1-1/4	1-3/4	5/16	.312 ^{+0.015} / _{+0.000}	1.250	1.750 ±.001	41.31
CWN-150	1-1/2	1-7/8	3/16	.187 ^{+0.015} / _{+0.000}	1.500	1.875 ±.001	4.59
CWN-175	1-3/4	2-1/8	3/16	.187 ^{+0.015} / _{+0.000}	1.750	2.125 ±.001	5.49
CWN-200	2	2-3/8	3/16	.187 ^{+0.015} / _{+0.000}	2.000	2.375 ±.001	7.49
CWN-225	2-1/4	2-5/8	3/16	.187 ^{+0.015} / _{+0.000}	2.250	2.625 ±.001	7.72
CWU-2250	2-1/4	2-3/4	5/16	.312 ^{+0.015} / _{+0.000}	2.250	2.750 ±.001	32.97
CWN-250	2-1/2	2-7/8	3/16	.187 ^{+0.015} / _{+0.000}	2.500	2.875 ±.001	7.84
CWN-275	2-3/4	3-1/8	3/16	.187 ^{+0.015} / _{+0.000}	2.750	3.125 ±.001	9.58
CWN-300	3	3-3/8	3/16	.187 ^{+0.015} / _{+0.000}	3.000	3.375 ±.001	8.87

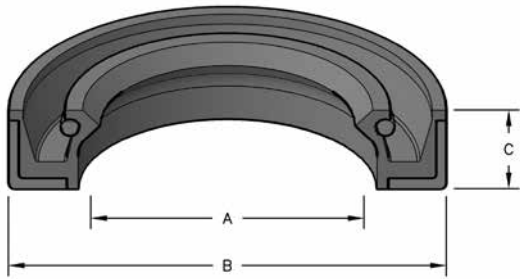
*CWU - Urethane

Seal color may vary. Special order sizes are available. Sizes not shown and out of stock items can also be ordered for next day delivery through Seals On Demand, our custom seal program. Please call your regional sales team for assistance.



OIL SEALS

Hercules® Sealing Products offers several sizes of standard sized metal clad oil seals. These seals are for rotating shafts and are specifically designed to prevent oil or grease leakage at a maximum pressure of 10 PSI. Additional styles and sizes are available upon request.



HERCULES PART NUMBERS

OS - 0.31 X 0.75 X 0.25 VTF

Prefix Inside Diameter Outside Diameter Height Style

SEAL INFORMATION	
MATERIAL	RUBBER
TEMPERATURE RANGE	-40° TO +240° F
PRESSURE RANGE	10 PSI MAXIMUM
SPEED	3 FT/SEC



Part Number	A Nom. ID	B Nom. OD	C Nom. Ht	E SHAFT DIAMETER	G HOUSING DIAMETER	MATERIAL	CAN MATERIAL	SPRING MATERIAL	List Price
OS-0.31X0.75X0.25VTF	5/16	3/4	1/4	.312 ±.003	.750 ±.001	FKM	CARBON STEEL	STAINLESS STEEL	\$20.88
OS-0.37X0.68X0.15VM	3/8	11/16	5/32	.375 ±.003	.687 ±.001	NBR	CARBON STEEL	NO SPRING	10.01
OS-0.37X0.75X0.25SB	3/8	3/4	1/4	.375 ±.003	.750 ±.001	NBR	CARBON STEEL	CARBON STEEL	10.97
OS-0.37X1.00X0.25SM	3/8	1	1/4	.375 ±.003	.999 ±.001	NBR	CARBON STEEL	CARBON STEEL	10.97
OS-0.43X0.62X0.12VC	7/16	5/8	1/8	.437 ±.003	.624 ±.001	NBR	CARBON STEEL	NO SPRING	10.01
OS-0.43X0.83X0.18VM	7/16	.836	3/16	.438 ±.003	.836 ±.001	NBR	CARBON STEEL	NO SPRING	9.36
OS-0.43X0.87X0.25SM	7/16	7/8	1/4	.438 ±.003	.875 ±.001	NBR	CARBON STEEL	CARBON STEEL	13.14
OS-0.43X0.87X0.25TB	7/16	7/8	1/4	.437 ±.003	.875 ±.001	NBR	CARBON STEEL	CARBON STEEL	19.75
OS-0.43X1.00X0.25TC	7/16	1	1/4	.434 ±.003	.999 ±.001	NBR	CARBON STEEL	CARBON STEEL	10.33
OS-0.43X1.00X0.25VM	7/16	1	1/4	.438 ±.003	.999 ±.001	NBR	CARBON STEEL	NO SPRING	9.93
OS-0.43X1.00X0.37SB	7/16	1	3/8	.438 ±.003	.999 ±.001	NBR	CARBON STEEL	CARBON STEEL	13.14
OS-0.50X0.68X0.09VC	1/2	11/16	3/32	.500 ±.003	.687 ±.001	NBR	CARBON STEEL	NO SPRING	8.20
OS-0.50X0.75X0.12VM	1/2	3/4	1/8	.500 ±.003	.750 ±.001	NBR	CARBON STEEL	NO SPRING	10.33
OS-0.50X0.75X0.16TB	1/2	3/4	.167	.500 ±.003	.750 ±.001	NBR	CARBON STEEL	CARBON STEEL	9.79
OS-0.50X0.87X0.12VC	1/2	7/8	1/8	.500 ±.003	.875 ±.001	NBR	CARBON STEEL	NO SPRING	11.28
OS-0.50X0.87X0.12VM	1/2	7/8	1/8	.500 ±.003	.875 ±.001	NBR	CARBON STEEL	NO SPRING	9.36
OS-0.50X0.87X0.25SC	1/2	7/8	1/4	.500 ±.003	.875 ±.001	NBR	CARBON STEEL	CARBON STEEL	8.86
OS-0.50X0.87X0.25TB	1/2	7/8	1/4	.500 ±.003	.875 ±.001	NBR	CARBON STEEL	CARBON STEEL	13.38
OS-0.50X0.87X0.25TEC	1/2	7/8	1/4	.500 ±.003	.875 ±.001	NBR	CARBON STEEL	CARBON STEEL	16.04
OS-0.50X0.87X0.31TBY	1/2	7/8	5/16	.500 ±.003	.875 ±.001	NBR	CARBON STEEL	CARBON STEEL	10.62
OS-0.50X1.00X0.25TB	1/2	1	1/4	.500 ±.003	.999 ±.001	NBR	CARBON STEEL	CARBON STEEL	9.93
OS-0.50X1.00X0.25TC	1/2	1	1/4	.500 ±.003	1.000 ±.001	NBR	CARBON STEEL	CARBON STEEL	9.32
OS-0.50X1.00X0.25TCN	1/2	1	1/4	.500 ±.003	1.000 ±.001	NBR	CARBON STEEL	CARBON STEEL	14.39
OS-0.50X1.12X0.25SB	1/2	1-1/8	1/4	.500 ±.003	1.124 ±.001	NBR	CARBON STEEL	CARBON STEEL	10.88
OS-0.50X1.12X0.25SC	1/2	1-1/8	1/4	.500 ±.003	1.124 ±.001	NBR	CARBON STEEL	CARBON STEEL	9.79
OS-0.50X1.12X0.25TB	1/2	1-1/8	1/4	.500 ±.003	1.124 ±.001	NBR	CARBON STEEL	CARBON STEEL	11.16

OIL SEALS

OIL SEALS



OIL SEALS

Part Number	A Nom. ID	B Nom. OD	C Nom. Ht	E SHAFT DIAMETER	G HOUSING DIAMETER	MATERIAL	CAN MATERIAL	SPRING MATERIAL	List Price
OS-0.50X1.25X0.25TC	1/2	1-1/4	1/4	.500 ±.003	1.250 ±.001	NBR	CARBON STEEL	CARBON STEEL	12.74
OS-0.56X0.87X0.18TC	9/16	7/8	3/16	.562 ±.003	.875 ±.001	NBR	CARBON STEEL	CARBON STEEL	8.72
OS-0.56X1.00X0.25SB	9/16	1	1/4	.563 ±.003	.999 ±.001	NBR	CARBON STEEL	CARBON STEEL	12.28
OS-0.56X1.00X0.25TC	9/16	1	1/4	.562 ±.003	.999 ±.001	NBR	CARBON STEEL	CARBON STEEL	12.28
OS-0.56X1.12X0.25TB	9/16	1-1/8	1/4	.563 ±.003	1.124 ±.001	NBR	CARBON STEEL	CARBON STEEL	13.38
OS-0.56X1.25X0.25TB	9/16	1-1/4	1/4	.562 ±.003	1.250 ±.001	NBR	CARBON STEEL	CARBON STEEL	16.97
OS-0.62X0.81X0.09VC	5/8	13/16	3/32	.625 ±.003	.813 ±.001	NBR	CARBON STEEL	NO SPRING	11.45
OS-0.62X0.81X0.09VM	5/8	13/16	3/32	.625 ±.003	.812 ±.001	NBR	CARBON STEEL	NO SPRING	11.45
OS-0.62X0.87X0.12SM	5/8	7/8	1/8	.625 ±.003	.875 ±.001	NBR	CARBON STEEL	CARBON STEEL	10.62
OS-0.62X1.00X0.12VMY	5/8	1	1/8	.625 ±.003	1.000 ±.001	NBR	CARBON STEEL	NO SPRING	12.56
OS-0.62X1.00X0.25SM	5/8	1	1/4	.625 ±.003	.999 ±.001	NBR	CARBON STEEL	CARBON STEEL	11.83
OS-0.62X1.00X0.25TB	5/8	1	1/4	.625 ±.003	.999 ±.001	NBR	CARBON STEEL	CARBON STEEL	12.56
OS-0.62X1.00X0.25TC	5/8	1	1/4	.625 ±.003	1.000 ±.001	NBR	CARBON STEEL	CARBON STEEL	9.79
OS-0.62X1.12X0.25TB	5/8	1-1/8	1/4	.625 ±.003	1.124 ±.001	NBR	CARBON STEEL	CARBON STEEL	10.75
OS-0.62X1.12X0.25TC	5/8	1-1/8	1/4	.625 ±.003	1.125 ±.001	NBR	CARBON STEEL	CARBON STEEL	10.33
OS-0.62X1.12X0.37BY	5/8	1-1/8	3/8	.625 ±.003	1.124 ±.001	NBR	CARBON STEEL	CARBON STEEL	12.28
OS-0.62X1.12X0.37TC	5/8	1-1/8	3/8	.625 ±.003	1.124 ±.001	NBR	CARBON STEEL	CARBON STEEL	8.72
OS-0.62X1.25X0.25TC	5/8	1-1/4	1/4	.625 ±.003	1.250 ±.001	NBR	CARBON STEEL	CARBON STEEL	9.63
OS-0.62X1.37X0.25TB	5/8	1-3/8	1/4	.625 ±.003	1.375 ±.001	NBR	CARBON STEEL	CARBON STEEL	11.58
OS-0.62X1.37X0.25VTB	5/8	1-3/8	1/4	.625 ±.003	1.375 ±.001	FKM	CARBON STEEL	STAINLESS STEEL	31.13
OS-0.62X1.50X0.25SB-H	5/8	1-1/2	1/4	.625 ±.003	1.499 ±.001	NBR	CARBON STEEL	CARBON STEEL	10.75
OS-0.65X1.12X0.25SC	21/32	1-1/8	1/4	.656 ±.003	1.124 ±.001	NBR	CARBON STEEL	CARBON STEEL	4.35
OS-0.68X1.00X0.18VM	11/16	1	3/16	.688 ±.003	.999 ±.001	NBR	CARBON STEEL	NO SPRING	9.79
OS-0.68X1.12X0.25SB	11/16	1-1/8	1/4	.688 ±.003	1.124 ±.001	NBR	CARBON STEEL	CARBON STEEL	12.83
OS-0.68X1.12X0.25TC	11/16	1-1/8	1/4	.688 ±.003	1.125 ±.001	NBR	CARBON STEEL	CARBON STEEL	10.33
OS-0.68X1.18X0.18SB	11/16	1-3/16	3/16	.688 ±.003	1.187 ±.001	NBR	CARBON STEEL	CARBON STEEL	10.40
OS-0.68X1.37X0.31TC	11/16	1-3/8	5/16	.688 ±.003	1.375 ±.001	NBR	CARBON STEEL	CARBON STEEL	10.62
OS-0.75X1.00X0.12VC	3/4	1	1/8	.750 ±.003	1.000 ±.001	NBR	CARBON STEEL	NO SPRING	10.56
OS-0.75X1.00X0.15TC	3/4	1	5/32	.750 ±.003	1.000 ±.001	NBR	CARBON STEEL	CARBON STEEL	10.25
OS-0.75X1.06X0.18TB	3/4	1-1/16	3/16	.750 ±.003	1.062 ±.001	NBR	CARBON STEEL	CARBON STEEL	13.49
OS-0.75X1.12X0.15VC	3/4	1-1/8	5/32	.750 ±.003	1.125 ±.001	NBR	CARBON STEEL	NO SPRING	9.93
OS-0.75X1.12X0.15VM	3/4	1-1/8	5/32	.750 ±.003	1.124 ±.001	NBR	CARBON STEEL	NO SPRING	9.93
OS-0.75X1.12X0.18SZ	3/4	1-1/8	3/16	.750 ±.003	1.125 ±.001	NBR	CARBON STEEL	CARBON STEEL	13.69
OS-0.75X1.12X0.18TB	3/4	1-1/8	3/16	.750 ±.003	1.124 ±.001	NBR	CARBON STEEL	CARBON STEEL	13.18
OS-0.75X1.12X0.25TC	3/4	1-1/8	1/4	.750 ±.003	1.125 ±.001	NBR	CARBON STEEL	CARBON STEEL	9.52
OS-0.75X1.18X0.25SB	3/4	1-3/16	1/4	.750 ±.003	1.187 ±.001	NBR	CARBON STEEL	CARBON STEEL	10.33
OS-0.75X1.25X0.25SB	3/4	1-1/4	1/4	.750 ±.003	1.250 ±.001	NBR	CARBON STEEL	CARBON STEEL	9.63
OS-0.75X1.25X0.25SC	3/4	1-1/4	1/4	.750 ±.003	1.250 ±.001	NBR	CARBON STEEL	CARBON STEEL	10.88
OS-0.75X1.25X0.25TB	3/4	1-1/4	1/4	.750 ±.003	1.250 ±.001	NBR	CARBON STEEL	CARBON STEEL	10.33
OS-0.75X1.25X0.25TC-G	3/4	1-1/4	1/4	.750 ±.003	1.250 ±.001	NBR	CARBON STEEL	CARBON STEEL	12.28
OS-0.75X1.25X0.31TC	3/4	1-1/4	5/16	.750 ±.003	1.250 ±.001	NBR	CARBON STEEL	CARBON STEEL	16.04
OS-0.75X1.25X0.31TZ	3/4	1-1/4	5/16	.750 ±.003	1.250 ±.001	NBR	CARBON STEEL	CARBON STEEL	11.45
OS-0.75X1.25X0.31VTC	3/4	1-1/4	5/16	.750 ±.003	1.250 ±.001	FKM	CARBON STEEL	STAINLESS STEEL	41.77
OS-0.75X1.31X0.25TB	3/4	1-5/16	1/4	.750 ±.003	1.312 ±.001	NBR	CARBON STEEL	CARBON STEEL	18.06
OS-0.75X1.37X0.25PTC	3/4	1-3/8	1/4	.750 ±.003	1.375 ±.001	ACM/POLYACRYLATE	CARBON STEEL	CARBON STEEL	16.04
OS-0.75X1.37X0.25TB	3/4	1-3/8	1/4	.750 ±.003	1.375 ±.001	NBR	CARBON STEEL	CARBON STEEL	10.75
OS-0.75X1.50X0.25TB-H	3/4	1-1/2	1/4	.750 ±.003	1.499 ±.001	NBR	CARBON STEEL	CARBON STEEL	11.28
OS-0.75X1.75X0.25SB	3/4	1-3/4	1/4	.750 ±.003	1.752 ±.001	NBR	CARBON STEEL	CARBON STEEL	14.07
OS-0.75X1.75X0.31TZ	3/4	1-3/4	5/16	.750 ±.003	1.750 ±.001	NBR	CARBON STEEL	CARBON STEEL	14.07
OS-0.78X1.00X0.12VC	25/32	1	1/8	.781 ±.003	1.000 ±.001	NBR	CARBON STEEL	NO SPRING	7.83
OS-0.78X1.12X0.18SB	25/32	1-1/8	3/16	.787 ±.003	1.124 ±.001	NBR	CARBON STEEL	CARBON STEEL	9.68
OS-0.78X1.37X0.31SB	25/32	1-3/8	5/16	.781 ±.003	1.375 ±.001	NBR	CARBON STEEL	CARBON STEEL	10.88
OS-0.78X1.75X0.31TZ	25/32	1-3/4	5/16	.782 ±.003	1.750 ±.001	NBR	CARBON STEEL	CARBON STEEL	11.83
OS-0.81X1.06X0.12VC	13/16	1-1/16	1/8	.813 ±.003	1.063 ±.001	NBR	CARBON STEEL	NO SPRING	9.79
OS-0.81X1.25X0.18SM	13/16	1-1/4	3/16	.813 ±.003	1.250 ±.001	NBR	CARBON STEEL	CARBON STEEL	10.43
OS-0.81X1.37X0.25TB	13/16	1-3/8	1/4	.812 ±.003	1.375 ±.001	NBR	CARBON STEEL	CARBON STEEL	16.28
OS-0.87X1.12X0.12VM	7/8	1-1/8	1/8	.875 ±.003	1.125 ±.001	NBR	CARBON STEEL	NO SPRING	8.33



OIL SEALS

OIL SEALS

Part Number	A Nom. ID	B Nom. OD	C Nom. Ht	E SHAFT DIAMETER	G HOUSING DIAMETER	MATERIAL	CAN MATERIAL	SPRING MATERIAL	List Price
OS-0.87X1.18X0.16VZ	7/8	1-3/16	.164	.875 ±.003	1.187 ±.001	NBR	CARBON STEEL	NOSPRING	9.32
OS-0.87X1.25X.188SZ	7/8	1-1/4	3/16	.875 ±.003	1.250 ±.001	NBR	CARBON STEEL	CARBON STEEL	10.40
OS-0.87X1.25X0.18SB	7/8	1-1/4	3/16	.875 ±.003	1.250 ±.001	NBR	CARBON STEEL	CARBON STEEL	9.93
OS-0.87X1.25X0.18TB	7/8	1-1/4	3/16	.875 ±.003	1.250 ±.001	NBR	CARBON STEEL	CARBON STEEL	10.88
OS-0.87X1.25X0.25SC	7/8	1-1/4	1/4	.875 ±.003	1.250 ±.001	NBR	CARBON STEEL	CARBON STEEL	9.52
OS-0.87X1.37X0.25SB	7/8	1-3/8	1/4	.875 ±.003	1.375 ±.001	NBR	CARBON STEEL	CARBON STEEL	10.01
OS-0.87X1.37X0.25TB	7/8	1-3/8	1/4	.875 ±.003	1.375 ±.001	NBR	CARBON STEEL	CARBON STEEL	8.55
OS-0.87X1.37X0.25TBY	7/8	1-3/8	1/4	.875 ±.003	1.375 ±.001	NBR	CARBON STEEL	CARBON STEEL	10.88
OS-0.87X1.37X0.25TC	7/8	1-3/8	1/4	.875 ±.003	1.375 ±.001	NBR	CARBON STEEL	CARBON STEEL	10.75
OS-0.87X1.37X0.31SB	7/8	1-3/8	5/16	.875 ±.003	1.375 ±.001	NBR	CARBON STEEL	CARBON STEEL	11.83
OS-0.87X1.37X0.31TA	7/8	1-3/8	5/16	.875 ±.003	1.375 ±.001	NBR	CARBON STEEL	CARBON STEEL	11.83
OS-0.87X1.50X0.25TB-H	7/8	1-1/2	1/4	.875 ±.003	1.499 ±.001	NBR	CARBON STEEL	CARBON STEEL	11.45
OS-0.87X1.50X0.25VTB	7/8	1-1/2	1/4	.875 ±.003	1.499 ±.001	FKM	CARBON STEEL	STAINLESS STEEL	33.74
OS-0.87X1.50X0.31SC	7/8	1-1/2	5/16	.875 ±.003	1.500 ±.001	NBR	CARBON STEEL	CARBON STEEL	10.97
OS-0.87X1.62X0.25TB	7/8	1-5/8	1/4	.875 ±.003	1.624 ±.001	NBR	CARBON STEEL	CARBON STEEL	13.38
OS-0.87X1.82X0.37TB	7/8	1-53/64	3/8	.875 ±.003	1.828 ±.001	NBR	CARBON STEEL	CARBON STEEL	16.90
OS-0.93X1.37X0.25TB	15/16	1-3/8	1/4	.938 ±.003	1.375 ±.001	NBR	CARBON STEEL	CARBON STEEL	11.16
OS-0.93X1.50X0.25SB-H	15/16	1-1/2	1/4	.938 ±.003	1.500 ±.001	NBR	CARBON STEEL	CARBON STEEL	11.28
OS-0.93X1.50X0.25TB	15/16	1-1/2	1/4	.937 ±.003	1.499 ±.001	NBR	CARBON STEEL	CARBON STEEL	13.49
OS-0.93X1.75X0.31TC	15/16	1-3/4	5/16	.937 ±.003	1.750 ±.001	NBR	CARBON STEEL	CARBON STEEL	16.84
OS-0.96X1.62X0.25SB-H	31/32	1-5/8	1/4	.969 ±.003	1.624 ±.001	NBR	CARBON STEEL	CARBON STEEL	14.07
OS-1.00X1.25X0.12VB	1	1-1/4	1/8	1.000 ±.003	1.250 ±.001	NBR	CARBON STEEL	NOSPRING	10.88
OS-1.00X1.25X0.25TC	1	1-1/4	1/4	1.000 ±.003	1.250 ±.001	NBR	CARBON STEEL	CARBON STEEL	12.00
OS-1.00X1.31X0.12VL	1	1-5/16	1/8	1.000 ±.003	1.312 ±.001	NBR	CARBON STEEL	NOSPRING	8.20
OS-1.00X1.37X0.25PSB	1	1-3/8	1/4	1.000 ±.003	1.375 ±.001	ACM/POLYACRYLATE	CARBON STEEL	STAINLESS STEEL	10.97
OS-1.00X1.37X0.25TBY	1	1-3/8	1/4	1.000 ±.003	1.375 ±.001	NBR	CARBON STEEL	CARBON STEEL	11.28
OS-1.00X1.43X0.25SC	1	1-7/16	1/4	1.000 ±.003	1.437 ±.001	NBR	CARBON STEEL	CARBON STEEL	14.21
OS-1.00X1.50X0.18VB	1	1-1/2	3/16	1.000 ±.003	1.499 ±.001	NBR	CARBON STEEL	NOSPRING	10.01
OS-1.00X1.50X0.25SB-H	1	1-1/2	1/4	1.000 ±.003	1.499 ±.001	NBR	CARBON STEEL	CARBON STEEL	9.68
OS-1.00X1.50X0.25TB	1	1-1/2	1/4	1.000 ±.003	1.499 ±.001	NBR	CARBON STEEL	CARBON STEEL	12.83
OS-1.00X1.50X0.25TB-H	1	1-1/2	1/4	1.000 ±.003	1.499 ±.001	NBR	CARBON STEEL	CARBON STEEL	12.83
OS-1.00X1.50X0.25TBY	1	1-1/2	1/4	1.000 ±.003	1.499 ±.001	NBR	CARBON STEEL	CARBON STEEL	9.93
OS-1.00X1.50X0.25TC	1	1-1/2	1/4	1.000 ±.003	1.499 ±.001	NBR	CARBON STEEL	CARBON STEEL	11.16
OS-1.00X1.50X0.31TC	1	1-1/2	5/16	1.000 ±.003	1.500 ±.001	NBR	CARBON STEEL	CARBON STEEL	11.45
OS-1.00X1.56X0.25VB-H	1	1-9/16	1/4	1.000 ±.003	1.561 ±.001	NBR	CARBON STEEL	NOSPRING	11.16
OS-1.00X1.57X0.25TB	1	1-37/64	1/4	1.000 ±.003	1.575 ±.001	NBR	CARBON STEEL	CARBON STEEL	12.83
OS-1.00X1.62X0.25SB	1	1-5/8	1/4	1.000 ±.003	1.624 ±.001	NBR	CARBON STEEL	CARBON STEEL	12.83
OS-1.00X1.62X0.25TB	1	1-5/8	1/4	1.000 ±.003	1.624 ±.001	NBR	CARBON STEEL	CARBON STEEL	15.36
OS-1.00X1.62X0.25TC	1	1-5/8	1/4	1.000 ±.003	1.625 ±.001	NBR	CARBON STEEL	CARBON STEEL	13.89
OS-1.00X1.62X0.25VB	1	1-5/8	1/4	1.000 ±.003	1.624 ±.001	NBR	CARBON STEEL	NOSPRING	9.68
OS-1.00X1.62X0.37SSTZN	1	1-5/8	3/8	1.000 ±.003	1.627 ±.001	NBR	STAINLESS STEEL	STAINLESS STEEL	18.54
OS-1.00X1.68X0.25TB	1	1-11/16	1/4	1.000 ±.003	1.686 ±.001	NBR	CARBON STEEL	CARBON STEEL	28.21
OS-1.00X1.75X0.25SB	1	1-3/4	1/4	1.000 ±.003	1.752 ±.001	NBR	CARBON STEEL	CARBON STEEL	17.25
OS-1.00X1.75X0.25TB	1	1-3/4	1/4	1.000 ±.003	1.752 ±.001	NBR	CARBON STEEL	CARBON STEEL	13.38
OS-1.00X1.75X0.25VSB	1	1-3/4	1/4	1.000 ±.003	1.752 ±.001	FKM	CARBON STEEL	STAINLESS STEEL	40.82
OS-1.00X1.78X0.46VHY	1	1-25/32	15/32	1.000 ±.003	1.781 ±.001	NBR	CARBON STEEL	NOSPRING	12.12
OS-1.00X1.87X0.25SB	1	1-7/8	1/4	1.000 ±.003	1.874 ±.001	NBR	CARBON STEEL	CARBON STEEL	12.28
OS-1.00X1.87X0.25TB	1	1-7/8	1/4	1.000 ±.003	1.874 ±.001	NBR	CARBON STEEL	CARBON STEEL	12.56
OS-1.00X1.98X0.31TB	1	1-63/64	5/16	1.000 ±.003	1.982 ±.001	NBR	CARBON STEEL	CARBON STEEL	14.78
OS-1.00X2.06X0.37SC	1	2-1/16	3/8	1.000 ±.003	2.062 ±.001	NBR	CARBON STEEL	CARBON STEEL	14.30
OS-1.00X2.43X0.37TC	1	2-7/16	3/8	1.000 ±.003	2.437 ±.001	NBR	CARBON STEEL	CARBON STEEL	16.49
OS-1.06X1.31X0.12VCY	1.062	1.312	1/8	1.062 ±.003	1.312 ±.001	NBR	CARBON STEEL	NOSPRING	11.47
OS-1.06X1.33X0.16VC	1.062	1.337	.16	1.062 ±.003		NBR	CARBON STEEL	NOSPRING	11.68
OS-1.06X1.50X0.25SB-H	1-1/16	1-1/2	1/4	1.063 ±.003	1.499 ±.001	NBR	CARBON STEEL	CARBON STEEL	13.14
OS-1.06X1.62X0.25SB	1-1/16	1-5/8	1/4	1.063 ±.003	1.624 ±.001	NBR	CARBON STEEL	CARBON STEEL	14.78
OS-1.06X1.87X0.25SB	1-1/16	1-7/8	1/4	1.063 ±.003	1.874 ±.001	NBR	CARBON STEEL	CARBON STEEL	16.39
OS-1.12X1.37X0.12VM	1-1/8	1-3/8	1/8	1.125 ±.003	1.375 ±.001	NBR	CARBON STEEL	NOSPRING	10.33

OIL SEALS



OIL SEALS

Part Number	A Nom. ID	B Nom. OD	C Nom. Ht	E SHAFT DIAMETER	G HOUSING DIAMETER	MATERIAL	CAN MATERIAL	SPRING MATERIAL	List Price
OS-1.12X1.50X0.18VB	1-1/8	1-1/2	3/16	1.125 ±.003	1.499 ±.001	NBR	CARBON STEEL	NO SPRING	20.56
OS-1.12X1.50X0.18VTC	1-1/8	1-1/2	3/16	1.125 ±.003	1.499 ±.001	FKM	CARBON STEEL	STAINLESS STEEL	49.98
OS-1.12X1.56X0.25PSL	1-1/8	1-9/16	1/4	1.125 ±.003	1.561 ±.001	ACM/POLYACRYLATE	CARBON STEEL	STAINLESS STEEL	15.27
OS-1.12X1.56X0.25SB	1-1/8	1-9/16	1/4	1.125 ±.003	1.562 ±.001	NBR	CARBON STEEL	CARBON STEEL	12.74
OS-1.12X1.62X0.25SB	1-1/8	1-5/8	1/4	1.125 ±.003	1.624 ±.001	NBR	CARBON STEEL	CARBON STEEL	12.64
OS-1.12X1.62X0.25SC	1-1/8	1-5/8	1/4	1.125 ±.003	1.625 ±.001	NBR	CARBON STEEL	CARBON STEEL	13.05
OS-1.12X1.62X0.25TB	1-1/8	1-5/8	1/4	1.125 ±.003	1.624 ±.001	NBR	CARBON STEEL	CARBON STEEL	13.89
OS-1.12X1.62X0.25VTB-H	1-1/8	1-5/8	1/4	1.125 ±.003	1.624 ±.001	FKM	CARBON STEEL	STAINLESS STEEL	23.43
OS-1.15X1.68X0.31TC	1-1/8	1-11/16	5/16	1.156 ±.003	1.686 ±.001	NBR	CARBON STEEL	CARBON STEEL	14.78
OS-1.12X1.75X0.25SB	1-1/8	1-3/4	1/4	1.125 ±.003	1.752 ±.001	NBR	CARBON STEEL	CARBON STEEL	12.56
OS-1.12X1.75X0.25TB	1-1/8	1-3/4	1/4	1.125 ±.003	1.752 ±.001	NBR	CARBON STEEL	CARBON STEEL	12.56
OS-1.12X1.78X0.46TB	1-1/8	1-25/32	15/32	1.125 ±.003	1.781 ±.001	NBR	CARBON STEEL	CARBON STEEL	13.18
OS-1.12X1.82X0.25TB	1-1/8	1-53/64	1/4	1.125 ±.003	1.828 ±.001	NBR	CARBON STEEL	CARBON STEEL	14.30
OS-1.12X1.82X0.25TC	1-1/8	1-53/64	1/4	1.125 ±.003	1.828 ±.001	NBR	CARBON STEEL	CARBON STEEL	12.83
OS-1.12X1.87X0.25TB	1-1/8	1-7/8	1/4	1.125 ±.003	1.874 ±.001	NBR	CARBON STEEL	CARBON STEEL	13.59
OS-1.12X2.00X0.25SB	1-1/8	2	1/4	1.125 ±.003	2.000 ±.001	NBR	CARBON STEEL	CARBON STEEL	13.89
OS-1.12X2.00X0.37TB	1-1/8	2	3/8	1.125 ±.003	2.000 ±.001	NBR	CARBON STEEL	CARBON STEEL	14.63
OS-1.12X2.12X0.31SB	1-1/8	2-1/8	5/16	1.125 ±.003	2.125 ±.001	NBR	CARBON STEEL	CARBON STEEL	14.21
OS-1.18X1.68X0.25SB	1-3/16	1-11/16	1/4	1.188 ±.003	1.686 ±.001	NBR	STAINLESS STEEL	STAINLESS STEEL	12.74
OS-1.18X1.87X0.25SB	1-3/16	1-7/8	1/4	1.188 ±.003	1.875 ±.001	NBR	CARBON STEEL	CARBON STEEL	16.04
OS-1.18X2.00X0.25TB	1-3/16	2	1/4	1.188 ±.003	2.000 ±.001	NBR	CARBON STEEL	CARBON STEEL	13.89
OS-1.14X1.50X0.12VB	1-1/4	1-1/2	1/8	1.250 ±.003	1.500 ±.001	NBR	CARBON STEEL	NO SPRING	10.33
OS-1.25X1.50X0.12VC	1-1/4	1-1/2	1/8	1.250 ±.003	1.500 ±.001	NBR	CARBON STEEL	NO SPRING	26.16
OS-1.25X1.62X0.18SB	1-1/4	1-5/8	3/16	1.250 ±.003	1.625 ±.001	NBR	CARBON STEEL	CARBON STEEL	12.12
OS-1.25X1.62X0.18SM	1-1/4	1-5/8	3/16	1.250 ±.003	1.625 ±.001	NBR	CARBON STEEL	CARBON STEEL	17.06
OS-1.25X1.62X0.25TC	1-1/4	1-5/8	1/4	1.250 ±.003	1.625 ±.001	NBR	CARBON STEEL	CARBON STEEL	14.44
OS-1.25X1.68X0.18VB	1-1/4	1-11/16	3/16	1.250 ±.003	1.686 ±.001	NBR	CARBON STEEL	NO SPRING	14.78
OS-1.25X1.68X0.25SB	1-1/4	1-11/16	1/4	1.250 ±.003	1.687 ±.001	NBR	CARBON STEEL	CARBON STEEL	15.46
OS-1.25X1.68X0.25SC	1-1/4	1-11/16	1/4	1.250 ±.003	1.686 ±.001	NBR	CARBON STEEL	CARBON STEEL	14.78
OS-1.25X1.68X0.25TC	1-1/4	1-11/16	1/4	1.250 ±.003	1.687 ±.001	NBR	CARBON STEEL	CARBON STEEL	14.44
OS-1.25X1.68X0.31TB	1-1/4	1-11/16	5/16	1.250 ±.003	1.687 ±.001	NBR	CARBON STEEL	CARBON STEEL	17.25
OS-1.25X1.75X0.25TB	1-1/4	1-3/4	1/4	1.250 ±.003	1.750 ±.001	NBR	CARBON STEEL	CARBON STEEL	13.05
OS-1.25X1.75X0.25TBY	1-1/4	1-3/4	1/4	1.250 ±.003	1.750 ±.001	NBR	CARBON STEEL	CARBON STEEL	16.49
OS-1.25X1.87X0.25TB	1-1/4	1-7/8	1/4	1.250 ±.003	1.874 ±.001	NBR	CARBON STEEL	CARBON STEEL	13.05
OS-1.25X1.98X0.25TB	1-1/4	1.979	1/4	1.250 ±.003	1.979 ±.001	NBR	CARBON STEEL	CARBON STEEL	17.32
OS-1.25X1.98X0.25VH	1-1/4	1-63/64	1/4	1.250 ±.003	1.983 ±.001	NBR	CARBON STEEL	NO SPRING	14.63
OS-1.25X2.00X0.25TB	1-1/4	2	1/4	1.250 ±.003	2.000 ±.001	NBR	CARBON STEEL	CARBON STEEL	14.21
OS-1.25X2.00X0.25VTB	1-1/4	2	1/4	1.250 ±.003	2.000 ±.001	FKM	CARBON STEEL	STAINLESS STEEL	46.44
OS-1.25X2.00X0.31TC	1-1/4	2	5/16	1.250 ±.003	2.000 ±.001	NBR	CARBON STEEL	CARBON STEEL	20.68
OS-1.25X2.00X0.43SB	1-1/4	2	7/16	1.250 ±.003	2.000 ±.001	NBR	CARBON STEEL	CARBON STEEL	22.44
OS-1.25X2.062X0.25TB	1-1/4	2-1/16	1/4	1.250 ±.003	2.062 ±.001	NBR	CARBON STEEL	CARBON STEEL	18.28
OS-1.25X2.12X0.25SB	1-1/4	2-1/8	1/4	1.250 ±.003	2.125 ±.001	NBR	CARBON STEEL	CARBON STEEL	15.03
OS-1.25X2.12X0.25TB	1-1/4	2-1/8	1/4	1.250 ±.003	2.125 ±.001	NBR	CARBON STEEL	CARBON STEEL	14.78
OS-1.25X2.25X0.25VB	1-1/4	2-1/4	1/4	1.250 ±.003	2.250 ±.001	NBR	CARBON STEEL	NO SPRING	15.80
OS-1.25X2.47X0.31SC	1-1/4	2-7/16	5/16	1.250 ±.003	2.437 ±.001	NBR	CARBON STEEL	CARBON STEEL	12.56
OS-1.28X2.00X0.37TB	1-9/32	2	3/8	1.281 ±.003	2.000 ±.001	NBR	CARBON STEEL	CARBON STEEL	19.08
OS-1.30X2.85X0.37TCN	1.3	2.846	.374			NITRILE/STEEL			8.12
OS-1.31X1.56X0.12VC	1-5/16	1-9/16	1/8	1.3125 ±.003	1.5625 ±.001	NBR	CARBON STEEL	NO SPRING	11.00
OS-1.31X2.12X0.31TB	1-5/16	2-1/8	5/16	1.312 ±.003	2.125 ±.001	NBR	CARBON STEEL	CARBON STEEL	24.68
OS-1.31X1.81X0.16VC	1.313	1.813	.16			NBR			17.00
OS-1.31X1.81X0.16SC-HP	1.313	1.813	.165			NBR			17.85
OS-1.37X1.75X0.18SM	1-3/8	1-3/4	3/16	1.375 ±.003	1.750 ±.001	NBR	CARBON STEEL	CARBON STEEL	14.78
OS-1.37X1.75X0.18VB	1-3/8	1-3/4	3/16	1.375 ±.003	1.750 ±.001	NBR	CARBON STEEL	NO SPRING	13.37
OS-1.37X1.75X0.21TB	1-3/8	1-3/4	7/32	1.375 ±.003	1.750 ±.001	NBR	CARBON STEEL	CARBON STEEL	26.43
OS-1.37X1.82X0.31SB	1-3/8	1-53/64	5/16	1.375 ±.003	1.828 ±.001	NBR	CARBON STEEL	CARBON STEEL	13.38
OS-1.37X1.87X0.25SB	1-3/8	1-7/8	1/4	1.375 ±.003	1.874 ±.001	NBR	CARBON STEEL	CARBON STEEL	14.21
OS-1.37X1.93X0.25TB	1-3/8	1-15/16	1/4	1.375 ±.003	1.938 ±.001	NBR	CARBON STEEL	CARBON STEEL	13.82



OIL SEALS

OIL SEALS

Part Number	A Nom. ID	B Nom. OD	C Nom. Ht	E SHAFT DIAMETER	G HOUSING DIAMETER	MATERIAL	CAN MATERIAL	SPRING MATERIAL	List Price
OS-1.37X1.93X0.25VB	1-3/8	1-15/16	1/4	1.375 ±.003	1.938 ±.001	NBR	CARBON STEEL	NOSPRING	12.28
OS-1.37X1.98X0.43TM	1-3/8	1.979	7/16	1.372 ±.003	1.979 ±.001	NBR	CARBON STEEL	CARBON STEEL	13.18
OS-1.37X2.00X0.31VTB	1-3/8	2	5/16	1.375 ±.003	2.000 ±.001	FKM	CARBON STEEL	STAINLESS STEEL	37.73
OS-1.37X2.00X0.37TA	1-3/8	2	3/8	1.375 ±.003	2.000 ±.001	NBR	CARBON STEEL	CARBON STEEL	17.51
OS-1.37X2.12X0.31TB	1-3/8	2-1/8	5/16	1.375 ±.003	2.125 ±.001	NBR	CARBON STEEL	CARBON STEEL	14.78
OS-1.37X2.12X0.31TC	1-3/8	2-1/8	5/16	1.375 ±.003	2.125 ±.001	NBR	CARBON STEEL	CARBON STEEL	10.43
OS-1.37X2.12X0.43SA	1-3/8	2-1/8	7/16	1.375 ±.003	2.125 ±.001	NBR	CARBON STEEL	CARBON STEEL	17.60
OS-1.37X2.25X0.25VL-H	1-3/8	2-1/4	1/4	1.375 ±.003	2.250 ±.001	NBR	CARBON STEEL	NOSPRING	14.73
OS-1.37X2.25X0.31TB	1-3/8	2-1/4	5/16	1.375 ±.003	2.250 ±.001	NBR	CARBON STEEL	CARBON STEEL	20.58
OS-1.37X2.37X0.31TB	1-3/8	2-3/8	5/16	1.375 ±.003	2.374 ±.001	NBR	CARBON STEEL	CARBON STEEL	16.49
OS-1.37X2.44X0.31TB	1-3/8	2.441	5/16	1.375 ±.003	2.441 ±.001	NBR	CARBON STEEL	CARBON STEEL	20.75
OS-1.43X2.00X0.31TC	1-7/16	2	5/16	1.437 ±.003	2.000 ±.001	NBR	CARBON STEEL	CARBON STEEL	13.98
OS-1.43X2.12X0.37SC	1-7/16	2-1/8	3/8	1.438 ±.003	2.125 ±.001	NBR	CARBON STEEL	CARBON STEEL	13.98
OS-1.43X2.37X0.31TB	1-7/16	2-3/8	5/16	1.438 ±.003	2.374 ±.001	NBR	CARBON STEEL	CARBON STEEL	17.60
OS-1.50X1.87X0.25SB	1-1/2	1-7/8	1/4	1.500 ±.003	1.874 ±.001	NBR	CARBON STEEL	CARBON STEEL	14.21
OS-1.50X1.87X0.25TB	1-1/2	1-7/8	1/4	1.500 ±.003	1.874 ±.001	NBR	CARBON STEEL	CARBON STEEL	15.52
OS-1.50X1.87X0.25VB	1-1/2	1-7/8	1/4	1.500 ±.003	1.874 ±.001	NBR	CARBON STEEL	NOSPRING	11.58
OS-1.50X1.98X0.18VB	1-1/2	1-63/64	3/16	1.500 ±.003	1.983 ±.001	NBR	CARBON STEEL	NOSPRING	12.12
OS-1.50X1.98X0.25TB	1-1/2	1-63/64	1/4	1.500 ±.003	1.983 ±.001	NBR	CARBON STEEL	CARBON STEEL	12.83
OS-1.50X1.99X0.25KB	1-1/2	1-63/64	1/4	1.500 ±.003	1.989 ±.001	NBR	CARBON STEEL	NOSPRING	15.27
OS-1.50X2.00X0.25VB	1-1/2	2	1/4	1.500 ±.003	2.000 ±.001	NBR	CARBON STEEL	NOSPRING	13.89
OS-1.50X2.00X0.31TB	1-1/2	2	5/16	1.500 ±.003	2.000 ±.001	NBR	CARBON STEEL	CARBON STEEL	19.05
OS-1.50X2.12X0.31TB	1-1/2	2-1/8	5/16	1.500 ±.003	2.125 ±.001	NBR	CARBON STEEL	CARBON STEEL	19.63
OS-1.50X2.25X0.25VH	1-1/2	2-1/4	1/4	1.500 ±.003	2.250 ±.001	NBR	CARBON STEEL	NOSPRING	14.78
OS-1.50X2.25X0.31SB	1-1/2	2-1/4	5/16	1.500 ±.003	2.250 ±.001	NBR	CARBON STEEL	CARBON STEEL	18.54
OS-1.50X2.25X0.31TB	1-1/2	2-1/4	5/16	1.500 ±.003	2.250 ±.001	NBR	CARBON STEEL	CARBON STEEL	16.39
OS-1.50X2.25X0.31VTB-H	1-1/2	2-1/4	5/16	1.500 ±.003	2.250 ±.001	FKM	CARBON STEEL	STAINLESS STEEL	45.63
OS-1.50X2.25X0.31VTC	1-1/2	2-1/4	5/16	1.500 ±.003	2.250 ±.001	FLUOROCARBON	CARBON STEEL	CARBON STEEL	15.32
OS-1.50X2.37X0.25VH	1-1/2	2-3/8	1/4	1.500 ±.003	2.374 ±.001	NBR	CARBON STEEL	NOSPRING	13.18
OS-1.50X2.37X0.31TB	1-1/2	2-3/8	5/16	1.500 ±.003	2.374 ±.001	NBR	CARBON STEEL	CARBON STEEL	13.14
OS-1.50X2.37X0.31TB-H	1-1/2	2-3/8	5/16	1.500 ±.003	2.374 ±.001	NBR	CARBON STEEL	CARBON STEEL	21.54
OS-1.50X2.50X0.31SB	1-1/2	2-1/2	5/16	1.500 ±.003	2.502 ±.001	NBR	CARBON STEEL	CARBON STEEL	14.21
OS-1.50X2.50X0.31TB	1-1/2	2-1/2	5/16	1.500 ±.003	2.502 ±.001	NBR	CARBON STEEL	CARBON STEEL	18.99
OS-1.50X2.75X0.31SB	1-1/2	2-3/4	5/16	1.500 ±.003	2.750 ±.001	NBR	CARBON STEEL	CARBON STEEL	25.13
OS-1.56X2.12X0.31SB	1-9/16	2-1/8	5/16	1.563 ±.003	2.125 ±.001	NBR	CARBON STEEL	CARBON STEEL	18.54
OS-1.56X2.37X0.31TB	1-9/16	2-3/8	5/16	1.563 ±.003	2.374 ±.001	NBR	CARBON STEEL	CARBON STEEL	17.73
OS-1.62X1.87X0.12VM	1-5/8	1-7/8	1/8	1.625 ±.003	1.875 ±.001	NBR	CARBON STEEL	NOSPRING	14.50
OS-1.625X2.00X0.25SB	1-5/8	2	1/4	1.625 ±.003	2.000 ±.001	NBR	CARBON STEEL	CARBON STEEL	13.18
OS-1.62X2.12X0.25SB	1-5/8	2-1/8	1/4	1.625 ±.003	2.125 ±.001	NBR	CARBON STEEL	CARBON STEEL	18.06
OS-1.62X2.37X0.31TB	1-5/8	2-3/8	5/16	1.625 ±.003	2.374 ±.001	NBR	CARBON STEEL	CARBON STEEL	15.46
OS-1.62X2.37X0.37TC	1-5/8	2-3/8	3/8	1.625 ±.003	2.375 ±.001	NBR	CARBON STEEL	CARBON STEEL	20.75
OS-1.62X2.37X0.37VTC	1-5/8	2.379	3/8	1.625 ±.003	2.379 ±.001	FKM	CARBON STEEL	CARBON STEEL	28.52
OS-1.62X2.43X0.31TB	1-5/8	2-7/16	5/16	1.625 ±.003	2.437 ±.001	NBR	CARBON STEEL	CARBON STEEL	17.32
OS-1.62X2.50X0.31TB	1-5/8	2-1/2	5/16	1.625 ±.003	2.502 ±.001	NBR	CARBON STEEL	CARBON STEEL	17.60
OS-1.71X2.56X0.50TB	1-23/32	2-9/16	1/2	1.719 ±.003	2.561 ±.001	NBR	CARBON STEEL	CARBON STEEL	17.60
OS-1.75X2.00X0.12VM	1-3/4	2	1/8	1.750 ±.003	2.000 ±.001	NBR	CARBON STEEL	NOSPRING	11.67
OS-1.75X2.12X0.18SB	1-3/4	2-1/8	3/16	1.750 ±.003	2.125 ±.001	NBR	CARBON STEEL	CARBON STEEL	20.68
OS-1.75X2.25X0.18VB	1-3/4	2-1/4	3/16	1.750 ±.003	2.250 ±.001	NBR	CARBON STEEL	NOSPRING	15.46
OS-1.75X2.25X0.31SB	1-3/4	2-1/4	5/16	1.750 ±.003	2.250 ±.001	NBR	CARBON STEEL	CARBON STEEL	20.26
OS-1.75X2.37X0.31TB	1-3/4	2-3/8	5/16	1.750 ±.003	2.374 ±.001	NBR	CARBON STEEL	CARBON STEEL	15.46
OS-1.75X2.43X0.31TB	1-3/4	2-7/16	5/16	1.750 ±.003	2.437 ±.001	NBR	CARBON STEEL	CARBON STEEL	19.11
OS-1.75X2.43X0.31TC	1-3/4	2-7/16	5/16	1.750 ±.003	2.438 ±.001	NBR	CARBON STEEL	CARBON STEEL	17.60
OS-1.75X2.50X0.31TB	1-3/4	2-1/2	5/16	1.750 ±.003	2.502 ±.001	NBR	CARBON STEEL	CARBON STEEL	21.91
OS-1.75X2.50X0.31VTB	1-3/4	2-1/2	5/16	1.750 ±.003	2.502 ±.001	FKM	CARBON STEEL	STAINLESS STEEL	51.97
OS-1.75X2.56X0.31TB	1-3/4	2-9/16	5/16	1.750 ±.003	2.565 ±.001	NBR	CARBON STEEL	CARBON STEEL	19.41
OS-1.75X2.62X0.31TB	1-3/4	2-5/8	5/16	1.750 ±.003	2.623 ±.001	NBR	CARBON STEEL	CARBON STEEL	18.54
OS-1.75X2.68X0.31SL-H	1-3/4	2-11/16	5/16	1.750 ±.003	2.686 ±.001	NBR	CARBON STEEL	CARBON STEEL	22.87

OIL SEALS



OIL SEALS

Part Number	A Nom. ID	B Nom. OD	C Nom. Ht	E SHAFT DIAMETER	G HOUSING DIAMETER	MATERIAL	CAN MATERIAL	SPRING MATERIAL	List Price
OS-1.75X2.75X0.31TB	1-3/4	2-3/4	5/16	1.750 ±.003	2.750 ±.001	NBR	CARBON STEEL	CARBON STEEL	19.75
OS-1.75X2.87X0.31SB	1-3/4	2-7/8	5/16	1.750 ±.003	2.875 ±.001	NBR	CARBON STEEL	CARBON STEEL	23.50
OS-1.75X3.00X0.37TB	1-3/4	3	3/8	1.750 ±.003	3.000 ±.001	NBR	CARBON STEEL	CARBON STEEL	21.32
OS-1.87X2.50X0.25VHY	1-7/8	2-1/2	1/4	1.875 ±.003	2.502 ±.001	NBR	CARBON STEEL	NOSPRING	23.57
OS-1.87X2.50X0.31SB	1-7/8	2-1/2	5/16	1.875 ±.003	2.502 ±.001	NBR	CARBON STEEL	CARBON STEEL	16.29
OS-1.87X2.62X0.31TB	1-7/8	2-5/8	5/16	1.875 ±.003	2.623 ±.001	NBR	CARBON STEEL	CARBON STEEL	16.90
OS-1.87X2.62X0.31TB-H	1-7/8	2-5/8	5/16	1.875 ±.003	2.623 ±.001	NBR	CARBON STEEL	CARBON STEEL	17.51
OS-1.87X3.37X0.46TA	1-7/8	3-3/8	15/32	1.875 ±.003	3.375 ±.001	NBR	CARBON STEEL	CARBON STEEL	8.49
OS-1.93X2.50X0.37VTC	1-15/16	2-1/2	3/8	1.938 ±.003	2.500 ±.001	FLUOROCARBON	CARBON STEEL	CARBON STEEL	16.97
OS-1.93X2.68X0.31TC	1-15/16	2-11/16	5/16	1.938 ±.003	2.686 ±.001	NBR	CARBON STEEL	CARBON STEEL	32.39
OS-1.93X2.68X0.31TL-H	1-15/16	2-11/16	5/16	1.938 ±.003	2.686 ±.001	NBR	CARBON STEEL	CARBON STEEL	22.87
OS-2.00X2.50X0.25TC	2	2-1/2	1/4	2.000 ±.003	2.502 ±.001	NBR	CARBON STEEL	CARBON STEEL	21.41
OS-2.00X2.50X0.25VB	2	2-1/2	1/4	2.000 ±.003	2.502 ±.001	NBR	CARBON STEEL	NOSPRING	17.60
OS-2.00X2.62X0.25VHY	2	2-5/8	1/4	2.000 ±.003	2.623 ±.001	NBR	CARBON STEEL	NOSPRING	17.51
OS-2.00X2.62X0.31TB	2	2-5/8	5/16	2.000 ±.003	2.623 ±.001	NBR	CARBON STEEL	CARBON STEEL	17.60
OS-2.00X2.68X0.37SB	2	2-11/16	3/8	2.000 ±.003	2.686 ±.001	NBR	CARBON STEEL	CARBON STEEL	17.25
OS-2.00X2.71X0.37TB	2	2-23/32	3/8	2.000 ±.003	2.716 ±.001	NBR	CARBON STEEL	CARBON STEEL	39.93
OS-2.00X2.75X0.18VM	2	2-3/4	3/16	2.000 ±.003	2.750 ±.001	NBR	CARBON STEEL	NOSPRING	18.48
OS-2.00X2.75X0.31TB	2	2-3/4	5/16	2.000 ±.003	2.750 ±.001	NBR	CARBON STEEL	CARBON STEEL	19.21
OS-2.00X2.75X0.31TC	2	2-3/4	5/16	2.000 ±.003	2.750 ±.001	NBR	CARBON STEEL	CARBON STEEL	19.11
OS-2.00X2.87X0.31TA	2	2-7/8	5/16	2.000 ±.003	2.875 ±.001	NBR	CARBON STEEL	CARBON STEEL	23.56
OS-2.00X3.00X0.25SB	2	3	1/4	2.000 ±.003	3.000 ±.001	NBR	CARBON STEEL	CARBON STEEL	20.43
OS-2.00X3.00X0.31TB	2	3	5/16	2.000 ±.003	3.000 ±.001	NBR	CARBON STEEL	CARBON STEEL	22.87
OS-2.00X3.00X0.37SA	2	3	3/8	2.000 ±.003	3.000 ±.001	NBR	CARBON STEEL	CARBON STEEL	26.00
OS-2.12X2.75X0.50TB	2-1/8	2-3/4	1/2	2.125 ±.003	2.750 ±.001	NBR	CARBON STEEL	CARBON STEEL	19.47
OS-2.12X2.87X0.25VB	2-1/8	2-7/8	1/4	2.125 ±.003	2.875 ±.001	NBR	CARBON STEEL	NOSPRING	19.63
OS-2.12X2.87X0.43TB	2-1/8	2-7/8	7/16	2.125 ±.003	2.875 ±.001	NBR	CARBON STEEL	CARBON STEEL	22.25
OS-2.12X3.06X0.50TA	2-1/8	3-1/16	1/2	2.125 ±.003	3.061 ^{+0.002} _{-.001}	NBR	CARBON STEEL	CARBON STEEL	26.17
OS-2.18X3.00X0.37TB	2-3/16	3	3/8	2.188 ±.003	3.000 ±.001	NBR	CARBON STEEL	CARBON STEEL	22.44
OS-2.25X2.87X0.25VH	2-1/4	2-7/8	1/4	2.250 ±.003	2.875 ±.001	NBR	CARBON STEEL	NOSPRING	18.28
OS-2.25X3.00X0.25TA	2-1/4	3	1/4	2.250 ±.003	3.000 ±.001	NBR	CARBON STEEL	CARBON STEEL	35.44
OS-2.25X3.00X0.37SB	2-1/4	3	3/8	2.250 ±.003	3.000 ±.001	NBR	CARBON STEEL	CARBON STEEL	21.04
OS-2.25X3.00X0.37TB	2-1/4	3	3/8	2.250 ±.003	3.000 ±.001	NBR	CARBON STEEL	CARBON STEEL	22.44
OS-2.25X3.00X0.37VTB	2-1/4	3	3/8	2.250 ±.003	3.000 ±.001	FKM	CARBON STEEL	STAINLESS STEEL	37.94
OS-2.25X3.25X0.25VH	2-1/4	3-1/4	1/4	2.250 ±.003	3.251 ^{+0.002} _{-.001}	NBR	CARBON STEEL	NOSPRING	30.88
OS-2.25X3.25X0.37TB	2-1/4	3-1/4	3/8	2.250 ±.003	3.251 ^{+0.002} _{-.001}	NBR	CARBON STEEL	CARBON STEEL	24.49
OS-2.37X3.00X0.25VH	2-3/8	3	1/4	2.375 ±.003	3.000 ±.001	NBR	CARBON STEEL	NOSPRING	17.60
OS-2.37X3.12X0.37SB	2-3/8	3-1/8	3/8	2.375 ±.003	3.125 ^{+0.002} _{-.001}	NBR	CARBON STEEL	CARBON STEEL	36.24
OS-2.37X3.12X0.43TA	2-3/8	3-1/8	7/16	2.375 ±.003	3.125 ^{+0.002} _{-.001}	NBR	CARBON STEEL	CARBON STEEL	27.15
OS-2.37X3.50X0.37SA	2-3/8	3-1/2	3/8	2.375 ±.003	3.500 ^{+0.002} _{-.001}	NBR	CARBON STEEL	CARBON STEEL	29.08
OS-2.50X3.00X0.25VB	2-1/2	3	1/4	2.500 ±.003	3.000 ±.001	NBR	CARBON STEEL	NOSPRING	22.82
OS-2.50X3.00X0.28WS	2-1/2	3	9/32	2.500 ±.003	3.000 ±.001	NBR	CARBON STEEL	NOSPRING	62.50
OS-2.50X3.06X0.25SM	2-1/2	3-1/16	1/4	2.500 ±.003	3.062 ^{+0.002} _{-.001}	NBR	CARBON STEEL	CARBON STEEL	27.16
OS-2.50X3.18X0.37TB	2-1/2	3-3/16	3/8	2.500 ±.003	3.189 ^{+0.002} _{-.001}	NBR	CARBON STEEL	CARBON STEEL	35.62
OS-2.50X3.25X0.37TB	2-1/2	3-1/4	3/8	2.500 ±.003	3.251 ^{+0.002} _{-.001}	NBR	CARBON STEEL	CARBON STEEL	13.82
OS-2.50X3.25X0.43TA	2-1/2	3-1/4	7/16	2.500 ±.003	3.251 ^{+0.002} _{-.001}	NBR	CARBON STEEL	CARBON STEEL	27.48
OS-2.50X3.35X0.37TA-H	2-1/2	3.35	3/8	2.500 ±.003	3.350 ±.0015	NBR	CARBON STEEL	CARBON STEEL	25.55
OS-2.50X3.50X0.25VH	2-1/2	3-1/2	1/4	2.500 ±.003	3.500 ^{+0.002} _{-.001}	NBR	CARBON STEEL	NOSPRING	21.32

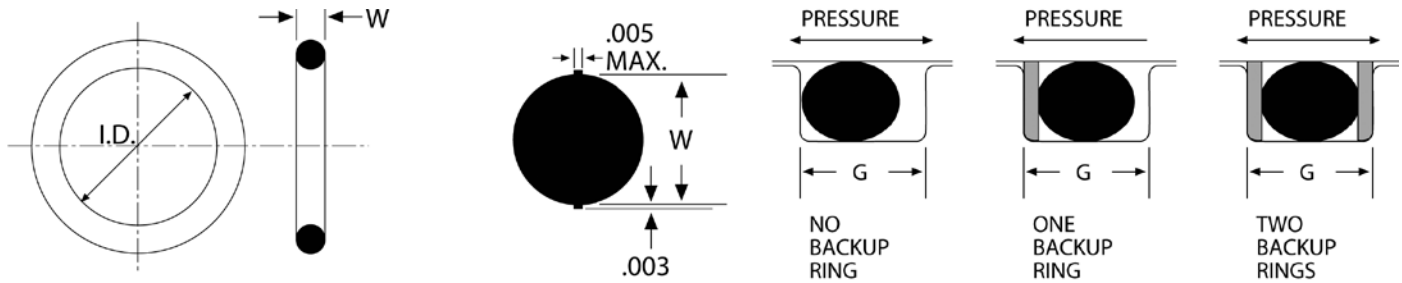


OIL SEALS

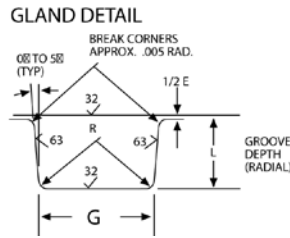
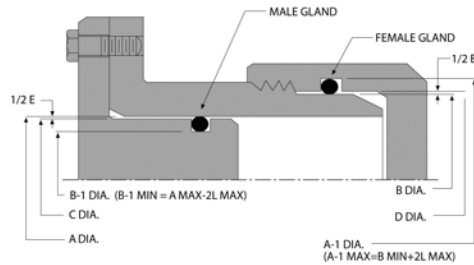
OIL SEALS

Part Number	A Nom. ID	B Nom. OD	C Nom. Ht	E SHAFT DIAMETER	G HOUSING DIAMETER	MATERIAL	CAN MATERIAL	SPRING MATERIAL	List Price
OS-2.50X3.50X0.37TB	2-1/2	3-1/2	3/8	2.500 ±.003	3.500 ^{+.002} _{-.001}	NBR	CARBON STEEL	CARBON STEEL	26.30
OS-2.50X3.50X0.43TA	2-1/2	3-1/2	7/16	2.500 ±.003	3.500 ^{+.002} _{-.001}	NBR	CARBON STEEL	CARBON STEEL	33.74
OS-2.62X3.37X0.37TA	2-5/8	3-3/8	3/8	2.625 ±.003	3.371 ^{+.002} _{-.001}	NBR	CARBON STEEL	CARBON STEEL	39.24
OS-2.62X3.50X0.37TB	2-5/8	3-1/2	3/8	2.625 ±.003	3.500 ^{+.002} _{-.001}	NBR	CARBON STEEL	CARBON STEEL	26.93
OS-2.75X3.50X0.37TB	2-3/4	3-1/2	3/8	2.750 ±.003	3.500 ^{+.002} _{-.001}	NBR	CARBON STEEL	CARBON STEEL	27.48
OS-2.81X3.87X0.43SA	2-13/16	3-7/8	7/16	2.813 ±.003	3.876 ^{+.002} _{-.001}	NBR	CARBON STEEL	CARBON STEEL	35.62
OS-3.00X3.75X0.37SB	3	3-3/4	3/8	3.000 ±.003	3.751 ^{+.002} _{-.001}	NBR	CARBON STEEL	CARBON STEEL	24.11
OS-3.00X3.75X0.37TB	3	3-3/4	3/8	3.000 ±.003	3.751 ^{+.002} _{-.001}	NBR	CARBON STEEL	CARBON STEEL	31.53
OS-3.00X3.75X0.43TA	3	3-3/4	7/16	3.000 ±.003	3.751 ^{+.002} _{-.001}	NBR	CARBON STEEL	CARBON STEEL	33.38
OS-3.00X4.00X0.37TB	3	4	3/8	3.000 ±.003	4.003 ^{+.002} _{-.001}	NBR	CARBON STEEL	CARBON STEEL	27.16
OS-3.00X4.00X0.43TA	3	4	7/16	3.000 ±.003	4.003 ^{+.002} _{-.001}	NBR	CARBON STEEL	CARBON STEEL	35.28
OS-3.25X4.00X0.37PTB	3-1/4	4	3/8	3.250 ±.003	4.003 ^{+.002} _{-.001}	ACM/POLYACRYLATE	CARBON STEEL	STAINLESS STEEL	35.87
OS-3.25X4.25X0.37TB	3-1/4	4-1/4	3/8	3.250 ±.003	4.249 ^{+.002} _{-.001}	NBR	CARBON STEEL	CARBON STEEL	31.23
OS-3.25X4.25X0.43TA	3-1/4	4-1/4	7/16	3.250 ±.003	4.249 ^{+.002} _{-.001}	NBR	CARBON STEEL	CARBON STEEL	39.83
OS-3.25X4.50X0.43TA	3-1/4	4-1/2	7/16	3.250 ±.003	4.501 ^{+.002} _{-.001}	NBR	CARBON STEEL	CARBON STEEL	53.71
OS-3.37X4.12X0.37TB	3-3/8	4-1/8	3/8	3.375 ±.003	4.125 ^{+.002} _{-.001}	NBR	CARBON STEEL	CARBON STEEL	36.95
OS-3.37X4.37X0.43TA	3-3/8	4-3/8	7/16	3.375 ±.003	4.376 ^{+.002} _{-.001}	NBR	CARBON STEEL	CARBON STEEL	44.45
OS-3.50X4.37X0.37TB	3-1/2	4-3/8	3/8	3.500 ±.003	4.376 ^{+.002} _{-.001}	NBR	CARBON STEEL	CARBON STEEL	44.25
OS-3.50X4.50X0.43SA	3-1/2	4-1/2	7/16	3.500 ±.003	4.501 ^{+.002} _{-.001}	NBR	CARBON STEEL	CARBON STEEL	40.08
OS-3.50X4.75X0.25VH	3-1/2	4-3/4	1/4	3.500 ±.003	4.751 ^{+.002} _{-.001}	NBR	CARBON STEEL	NOSPRING	56.36
OS-3.75X4.75X0.43STA	3-3/4	4-3/4	7/16	3.750 ±.003	4.751 ^{+.002} _{-.001}	SILICONE/VMQ	CARBON STEEL	CARBON STEEL	207.60
OS-3.87X5.25X0.43TA	3-7/8	5-1/4	7/16	3.875 ±.003	5.251 ^{+.002} _{-.001}	NBR	CARBON STEEL	CARBON STEEL	56.76
OS-4.00X5.00X0.43TA	4	5	7/16	4.000 ±.003	4.999 ^{+.002} _{-.001}	NBR	CARBON STEEL	CARBON STEEL	52.91
OS-4.00X5.37X0.50TA	4	5-3/8	1/2	4.000 ±.003	5.376 ^{+.002} _{-.001}	NBR	CARBON STEEL	CARBON STEEL	57.61
OS-5.00X6.00X0.50TA	5	6	1/2	5.000 ±.004	6.001 ±.002	NBR	CARBON STEEL	CARBON STEEL	16.86
OS-5.00X6.25X0.50SA	5	6-1/4	1/2	5.000 ±.004	6.250 ±.002	NBR	CARBON STEEL	CARBON STEEL	89.39
OS-5.50X6.50X0.50SA	5-1/2	6-1/2	1/2	5.500 ±.004	6.500 ±.002	NBR	CARBON STEEL	CARBON STEEL	114.56
OS-5.62X6.62X0.50SA-H	5-5/8	6-5/8	1/2	5.625 ±.004	6.625 ±.002	NBR	CARBON STEEL	CARBON STEEL	24.88
OS-5.625X7.186X0.906	5-5/8	7-3/16	29/32	5.625 ±.003	7.186 ±.001	NBR			88.18
OS-6.38X7.88X0.50TA	6-3/8	7-7/8	1/2	6.375 ±.003	7.876 ^{+.002} _{-.001}	NBR	CARBON STEEL	CARBON STEEL	140.23
OS-7.92X9.18X0.68Y	7-59/64	9-3/16	11/16	7.921 ±.003	9.187 ±.001	NBR			466.96

O-RING GLAND DIMENSIONS



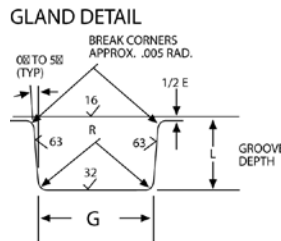
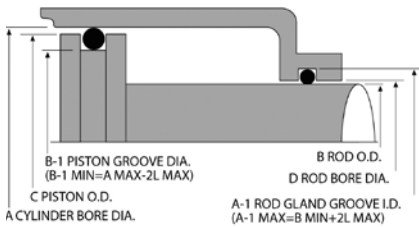
O-Ring Gland Design For Static Seals



- A - Bore Dia. (male gland)
- A-1 - Groove Dia. (female gland)
- B - Tube OD (female gland)
- B-1 - Groove Dia. (male gland)
- C - Plug Dia. (male gland)
- D - Throat Dia. (female gland)
- E - Diametrical Clearance

W O-RING CROSS SECTION	L GROOVE DEPTH		SQUEEZE				E DIAMETRICAL CLEARANCE MAX.	G GROOVE WIDTH ± .005			R GROOVE RADIUS	ECCEN- TRICITY MAX.
			RADIAL		AXIAL			NO BACKUP RING	ONE BACKUP RING	TWO BACKUP RINGS		
	RADIAL	AXIAL	INCHES	%	INCHES	%						
.070	.050-.052	.050-.054	.015-.023	22-23	.013-.023	19-32	.004	.095	.140	.207	.005-.015	.002
.103	.081-.083	.074-.080	.017-.025	17-24	.020-.032	20-30	.005	.142	.173	.240	.005-.015	.002
.139	.111-.113	.101-.107	.022-.032	16-23	.028-.042	20-30	.006	.189	.210	.277	.010-.025	.003
.210	.170-.173	.152-.162	.032-.045	15-21	.043-.063	21-30	.006	.283	.313	.413	.020-.035	.004
.275	.226-.229	.201-.211	.040-.055	15-20	.058-.080	21-29	.007	.377	.410	.540	.020-.035	.00

O-Ring Gland Design For Reciprocating Seals



- A - Bore Dia. of Cylinder
- B - OD of Rod
- C - OD of Piston
- D - Bore Dia. for Rod

W O-RING CROSS SECTION	L GROOVE DEPTH	SQUEEZE		E DIAMETRICAL CLEARANCE MAX.	G GROOVE WIDTH ± .005			R GROOVE RADIUS	ECCEN- TRICITY MAX.
		INCHES	%		NO BACKUP RING	ONE BACKUP RING	TWO BACKUP RINGS		
.070	.055-.057	.010-.018	15-25	.004	.095	.140	.207	.005-.015	.002
.103	.088-.090	.010-.018	10-17	.005	.142	.173	.240	.005-.015	.002
.139	.121-.123	.012-.022	9-16	.006	.189	.210	.277	.010-.025	.003
.210	.185-.188	.017-.030	8-14	.006	.283	.313	.413	.020-.035	.004
.275	.237-.240	.029-.044	11-16	.007	.377	.410	.540	.020-.035	.005

O-RING SIZE CHART AND INSTALLATION DATA

O-RINGS

AS-568A SERIES	NOMINAL SIZE			ACTUAL DIMENSIONS	
	ID	OD	Width	ID Tol.	W. Tol.
-001	1/32	3/32	1/32	.029±.004	.040±.003
-001 1/2	1/16	1/8	1/32	.070±.004	.040±.003
-002	3/64	9/64	3/64	.042±.004	.050±.003
-003	1/16	3/16	1/16	.056±.004	.060±.003
-004	5/64	13/64	1/16	.070±.005	.070±.003
-005	3/32	7/32	1/16	.101±.005	.070±.003
-006	1/8	1/4	1/16	.114±.005	.070±.003
-007	5/32	9/32	1/16	.145±.005	.070±.003
-008	3/16	5/16	1/16	.176±.005	.070±.003
-009	7/32	11/32	1/16	.208±.005	.070±.003
-010	1/4	3/8	1/16	.239±.005	.070±.003
-011	5/16	7/16	1/16	.301±.005	.070±.003
-012	3/8	1/2	1/16	.364±.005	.070±.003
-013	7/16	9/16	1/16	.426±.005	.070±.003
-014	1/2	5/8	1/16	.489±.005	.070±.003
-015	9/16	11/16	1/16	.551±.007	.070±.003
-016	5/8	3/4	1/16	.614±.009	.070±.003
-017	11/16	13/16	1/16	.676±.009	.070±.003
-018	3/4	7/8	1/16	.739±.009	.070±.003
-019	13/16	15/16	1/16	.801±.009	.070±.003
-020	7/8	1	1/16	.864±.009	.070±.003
-021	15/16	1 1/16	1/16	.926±.009	.070±.003
-022	1	1 1/8	1/16	.989±.010	.070±.003
-023	1 1/16	1 3/16	1/16	1.051±.010	.070±.003
-024	1 1/8	1 1/4	1/16	1.114±.010	.070±.003
-025	1 3/16	1 5/16	1/16	1.176±.011	.070±.003
-026	1 1/4	1 3/8	1/16	1.239±.011	.070±.003
-027	1 5/16	1 7/16	1/16	1.301±.011	.070±.003
-028	1 3/8	1 1/2	1/16	1.364±.013	.070±.003
-029	1 1/2	1 5/8	1/16	1.489±.013	.070±.003
-030	1 5/8	1 3/4	1/16	1.614±.013	.070±.003
-031	1 3/4	1 7/8	1/16	1.739±.015	.070±.003
-032	1 7/8	2	1/16	1.864±.015	.070±.003
-033	2	2 1/8	1/16	1.989±.018	.070±.003
-034	2 1/8	2 1/4	1/16	2.114±.018	.070±.003
-035	2 1/4	2 3/8	1/16	2.239±.018	.070±.003
-036	2 3/8	2 1/2	1/16	2.364±.018	.070±.003
-037	2 1/2	2 5/8	1/16	2.489±.018	.070±.003
-038	2 5/8	2 3/4	1/16	2.614±.020	.070±.003
-039	2 3/4	2 7/8	1/16	2.739±.020	.070±.003
-040	2 7/8	3	1/16	2.864±.020	.070±.003
-041	3	3 1/8	1/16	2.989±.024	.070±.003
-042	3 1/4	3 3/8	1/16	3.239±.024	.070±.003
-043	3 1/2	3 5/8	1/16	3.489±.024	.070±.003
-044	3 3/4	3 7/8	1/16	3.739±.027	.070±.003
-045	4	4 1/8	1/16	3.989±.027	.070±.003
-046	4 1/4	4 3/8	1/16	4.239±.030	.070±.003

AS-568A SERIES	NOMINAL SIZE			ACTUAL DIMENSIONS	
	ID	OD	Width	ID Tol.	W. Tol.
-047	4 1/2	4 5/8	1/16	4.489±.030	.070±.003
-048	4 3/4	4 7/8	1/16	4.739±.030	.070±.003
-049	5	5 1/8	1/16	4.989±.037	.070±.003
-050	5 1/4	5 3/8	1/16	5.239±.037	.070±.003
-102	1/16	1/4	3/32	.049±.005	.103±.003
-103	3/32	9/32	3/32	.081±.005	.103±.003
-104	1/8	5/16	3/32	.112±.005	.103±.003
-105	5/32	11/32	3/32	.143±.005	.103±.003
-106	3/16	3/8	3/32	.174±.005	.103±.003
-107	7/32	13/32	3/32	.206±.005	.103±.003
-108	1/4	7/16	3/32	.237±.005	.103±.003
-109	5/16	1/2	3/32	.299±.005	.103±.003
-110	3/8	9/16	3/32	.362±.005	.103±.003
-111	7/16	5/8	3/32	.424±.005	.103±.003
-112	1/2	11/16	3/32	.487±.005	.103±.003
-113	9/16	3/4	3/32	.549±.005	.103±.003
-114	5/8	13/16	3/32	.612±.009	.103±.003
-115	11/16	7/8	3/32	.674±.009	.103±.003
-116	3/4	15/16	3/32	.737±.009	.103±.003
-117	13/16	1	3/32	.799±.010	.103±.003
-118	7/8	1 1/16	3/32	.862±.010	.103±.003
-119	15/16	1 1/8	3/32	.924±.010	.103±.003
-120	1	1 3/16	3/32	.987±.010	.103±.003
-121	1 1/16	1 1/4	3/32	1.049±.010	.103±.003
-122	1 1/8	1 5/16	3/32	1.112±.010	.103±.003
-123	1 3/16	1 3/8	3/32	1.174±.012	.103±.003
-124	1 1/4	1 7/16	3/32	1.237±.012	.103±.003
-125	1 5/16	1 1/2	3/32	1.299±.012	.103±.003
-126	1 3/8	1 9/16	3/32	1.362±.012	.103±.003
-127	1 7/16	1 5/8	3/32	1.424±.012	.103±.003
-128	1 1/2	1 11/16	3/32	1.487±.012	.103±.003
-129	1 9/16	1 3/4	3/32	1.549±.015	.103±.003
-130	1 5/8	1 13/16	3/32	1.612±.015	.103±.003
-131	1 11/16	1 7/8	3/32	1.674±.015	.103±.003
-132	1 3/4	1 15/16	3/32	1.737±.015	.103±.003
-133	1 13/16	2	3/32	1.799±.015	.103±.003
-134	1 7/8	2 1/16	3/32	1.862±.015	.103±.003
-135	1 15/16	2 1/8	3/32	1.925±.017	.103±.003
-136	2	2 3/16	3/32	1.987±.017	.103±.003
-137	2 1/16	2 1/4	3/32	2.050±.017	.103±.003
-138	2 1/8	2 5/16	3/32	2.112±.017	.103±.003
-139	2 3/16	2 3/8	3/32	2.175±.017	.103±.003
-140	2 1/4	2 7/16	3/32	2.237±.017	.103±.003
-141	2 5/16	2 1/2	3/32	2.300±.020	.103±.003
-142	2 3/8	2 9/16	3/32	2.362±.020	.103±.003
-143	2 7/16	2 5/8	3/32	2.425±.020	.103±.003
-144	2 1/2	2 11/16	3/32	2.487±.020	.103±.003

O-RING SIZE CHART AND INSTALLATION DATA

O-RINGS

AS-568A SERIES	NOMINAL SIZE			ACTUAL DIMENSIONS	
	ID	OD	Width	ID Tol.	W. Tol.
-145	2 9/16	2 3/4	3/32	2.550±.020	.103±.003
-146	2 5/8	2 13/16	3/32	2.612±.020	.103±.003
-147	2 11/16	2 7/8	3/32	2.675±.022	.103±.003
-148	2 3/4	2 15/16	3/32	2.737±.022	.103±.003
-149	2 13/16	3	3/32	2.800±.022	.103±.003
-150	2 7/8	3 1/16	3/32	2.862±.022	.103±.003
-151	3	3 3/16	3/32	2.987±.024	.103±.003
-152	3 1/4	3 7/16	3/32	3.237±.024	.103±.003
-153	3 1/2	3 11/16	3/32	3.487±.024	.103±.003
-154	3 3/4	3 15/16	3/32	3.737±.028	.103±.003
-155	4	4 3/16	3/32	3.987±.028	.103±.003
-156	4 1/4	4 7/16	3/32	4.237±.030	.103±.003
-157	4 1/2	4 11/16	3/32	4.487±.030	.103±.003
-158	4 3/4	4 15/16	3/32	4.737±.030	.103±.003
-159	5	5 3/16	3/32	4.987±.035	.103±.003
-160	5 1/4	5 7/16	3/32	5.237±.035	.103±.003
-161	5 1/2	5 11/16	3/32	5.487±.035	.103±.003
-162	5 3/4	5 15/16	3/32	5.737±.035	.103±.003
-163	6	6 3/16	3/32	5.987±.035	.103±.003
-164	6 1/4	6 7/16	3/32	6.237±.040	.103±.003
-165	6 1/2	6 11/16	3/32	6.487±.040	.103±.003
-166	6 3/4	6 15/16	3/32	6.737±.040	.103±.003
-167	7	7 3/16	3/32	6.987±.040	.103±.003
-168	7 1/4	7 7/16	3/32	7.237±.045	.103±.003
-169	7 1/2	7 11/16	3/32	7.487±.045	.103±.003
-170	7 3/4	7 15/16	3/32	7.737±.045	.103±.003
-171	8	8 3/16	3/32	7.987±.045	.103±.003
-172	8 1/4	8 7/16	3/32	8.237±.050	.103±.003
-173	8 1/2	8 11/16	3/32	8.487±.050	.103±.003
-174	8 3/4	8 15/16	3/32	8.737±.050	.103±.003
-175	9	9 3/16	3/32	8.987±.050	.103±.003
-176	9 1/4	9 7/16	3/32	9.237±.055	.103±.003
-177	9 1/2	9 11/16	3/32	9.487±.055	.103±.003
-178	9 3/4	9 15/16	3/32	9.737±.055	.103±.003
-201	3/16	7/16	1/8	.171±.005	.139±.004
-202	1/4	1/2	1/8	.234±.005	.139±.004
-203	5/16	9/16	1/8	.296±.005	.139±.004
-204	3/8	5/8	1/8	.359±.005	.139±.004
-205	7/16	11/16	1/8	.421±.005	.139±.004
-206	1/2	3/4	1/8	.484±.005	.139±.004
-207	9/16	13/16	1/8	.546±.007	.139±.004
-208	5/8	7/8	1/8	.609±.009	.139±.004
-209	11/16	15/16	1/8	.671±.009	.139±.004
-210	3/4	1	1/8	.734±.010	.139±.004
-211	13/16	1 1/16	1/8	.796±.010	.139±.004
-212	7/8	1 1/8	1/8	.859±.010	.139±.004
-213	15/16	1 3/16	1/8	.921±.010	.139±.004

AS-568A SERIES	NOMINAL SIZE			ACTUAL DIMENSIONS	
	ID	OD	Width	ID Tol.	W. Tol.
-214	1	1 1/4	1/8	.984±.010	.139±.004
-215	1 1/16	1 5/16	1/8	1.046±.010	.139±.004
-216	1 1/8	1 3/8	1/8	1.109±.012	.139±.004
-217	1 3/16	1 7/16	1/8	1.171±.012	.139±.004
-218	1 1/4	1 1/2	1/8	1.234±.012	.139±.004
-219	1 5/16	1 9/16	1/8	1.296±.012	.139±.004
-220	1 3/8	1 5/8	1/8	1.359±.012	.139±.004
-221	1 7/16	1 11/16	1/8	1.421±.012	.139±.004
-222	1 1/2	1 3/4	1/8	1.484±.015	.139±.004
-223	1 5/8	1 7/8	1/8	1.609±.015	.139±.004
-224	1 3/4	2	1/8	1.734±.015	.139±.004
-225	1 7/8	2 1/8	1/8	1.859±.018	.139±.004
-226	2	2 1/4	1/8	1.984±.018	.139±.004
-227	2 1/8	2 3/8	1/8	2.109±.018	.139±.004
-228	2 1/4	2 1/2	1/8	2.234±.020	.139±.004
-229	2 3/8	2 5/8	1/8	2.359±.020	.139±.004
-230	2 1/2	2 3/4	1/8	2.484±.020	.139±.004
-231	2 5/8	2 7/8	1/8	2.609±.020	.139±.004
-232	2 3/4	3	1/8	2.734±.024	.139±.004
-233	2 7/8	3 1/8	1/8	2.859±.024	.139±.004
-234	3	3 1/4	1/8	2.984±.024	.139±.004
-235	3 1/8	3 3/8	1/8	3.109±.024	.139±.004
-236	3 1/4	3 1/2	1/8	3.234±.024	.139±.004
-237	3 3/8	3 5/8	1/8	3.359±.024	.139±.004
-238	3 1/2	3 3/4	1/8	3.484±.024	.139±.004
-239	3 5/8	3 7/8	1/8	3.609±.028	.139±.004
-240	3 3/4	4	1/8	3.734±.028	.139±.004
-241	3 7/8	4 1/8	1/8	3.859±.028	.139±.004
-242	4	4 1/4	1/8	3.984±.028	.139±.004
-243	4 1/8	4 3/8	1/8	4.109±.028	.139±.004
-244	4 1/4	4 1/2	1/8	4.234±.030	.139±.004
-245	4 3/8	4 5/8	1/8	4.359±.030	.139±.004
-246	4 1/2	4 3/4	1/8	4.484±.030	.139±.004
-247	4 5/8	4 7/8	1/8	4.609±.030	.139±.004
-248	4 3/4	5	1/8	4.734±.030	.139±.004
-249	4 7/8	5 1/8	1/8	4.859±.035	.139±.004
-250	5	5 1/4	1/8	4.984±.035	.139±.004
-251	5 1/8	5 3/8	1/8	5.109±.035	.139±.004
-252	5 1/4	5 1/2	1/8	5.234±.035	.139±.004
-253	5 3/8	5 5/8	1/8	5.359±.035	.139±.004
-254	5 1/2	5 3/4	1/8	5.484±.035	.139±.004
-255	5 5/8	5 7/8	1/8	5.609±.035	.139±.004
-256	5 3/4	6	1/8	5.734±.035	.139±.004
-257	5 7/8	6 1/8	1/8	5.859±.035	.139±.004
-258	6	6 1/4	1/8	5.984±.035	.139±.004
-259	6 1/4	6 1/2	1/8	6.234±.040	.139±.004
-260	6 1/2	6 3/4	1/8	6.484±.040	.139±.004

O-RING SIZE CHART AND INSTALLATION DATA

O-RINGS

AS-568A SERIES	NOMINAL SIZE			ACTUAL DIMENSIONS	
	ID	OD	Width	ID Tol.	W. Tol.
-261	6 3/4	7	1/8	6.734±.040	.139±.004
-262	7	7 1/4	1/8	6.984±.040	.139±.004
-263	7 1/4	7 1/2	1/8	7.234±.045	.139±.004
-264	7 1/2	7 3/4	1/8	7.484±.045	.139±.004
-265	7 3/4	8	1/8	7.734±.045	.139±.004
-266	8	8 1/4	1/8	7.984±.045	.139±.004
-267	8 1/4	8 1/2	1/8	8.234±.050	.139±.004
-268	8 1/2	8 3/4	1/8	8.484±.050	.139±.004
-269	8 3/4	9	1/8	8.734±.050	.139±.004
-270	9	9 1/4	1/8	8.984±.050	.139±.004
-271	9 1/4	9 1/2	1/8	9.234±.055	.139±.004
-272	9 1/2	9 3/4	1/8	9.484±.055	.139±.004
-273	9 3/4	10	1/8	9.734±.055	.139±.004
-274	10	10 1/4	1/8	9.984±.055	.139±.004
-275	10 1/2	10 3/4	1/8	10.484±.055	.139±.004
-276	11	11 1/4	1/8	10.984±.065	.139±.004
-277	11 1/2	11 3/4	1/8	11.484±.065	.139±.004
-278	12	12 1/4	1/8	11.984±.065	.139±.004
-279	13	13 1/4	1/8	12.984±.065	.139±.004
-280	14	14 1/4	1/8	13.984±.065	.139±.004
-281	15	15 1/4	1/8	14.984±.065	.139±.004
-282	16	16 1/4	1/8	15.955±.075	.139±.004
-283	17	17 1/4	1/8	16.955±.080	.139±.004
-284	18	18 1/4	1/8	17.955±.085	.139±.004
-309	7/16	13/16	3/16	.412±.005	.210±.005
-310	1/2	7/8	3/16	.475±.005	.210±.005
-311	9/16	15/16	3/16	.537±.007	.210±.005
-312	5/8	1	3/16	.600±.009	.210±.005
-313	11/16	1 1/16	3/16	.662±.009	.210±.005
-314	3/4	1 1/8	3/16	.725±.010	.210±.005
-315	13/16	1 3/16	3/16	.787±.010	.210±.005
-316	7/8	1 1/4	3/16	.850±.010	.210±.005
-317	15/16	1 5/16	3/16	.912±.010	.210±.005
-318	1	1 3/8	3/16	.975±.010	.210±.005
-319	1 1/16	1 7/16	3/16	1.037±.010	.210±.005
-320	1 1/8	1 1/2	3/16	1.100±.012	.210±.005
-321	1 3/16	1 9/16	3/16	1.162±.012	.210±.005
-322	1 1/4	1 5/8	3/16	1.225±.012	.210±.005
-323	1 5/16	1 11/16	3/16	1.287±.012	.210±.005
-324	1 3/8	1 3/4	3/16	1.350±.012	.210±.005
-325	1 1/2	1 7/8	3/16	1.475±.015	.210±.005
-326	1 5/8	2	3/16	1.600±.015	.210±.005
-327	1 3/4	2 1/8	3/16	1.725±.015	.210±.005
-328	1 7/8	2 1/4	3/16	1.850±.015	.210±.005
-329	2	2 3/8	3/16	1.975±.018	.210±.005
-330	2 1/8	2 1/2	3/16	2.100±.018	.210±.005
-331	2 1/4	2 5/8	3/16	2.225±.018	.210±.005

AS-568A SERIES	NOMINAL SIZE			ACTUAL DIMENSIONS	
	ID	OD	Width	ID Tol.	W. Tol.
-332	2 3/8	2 3/4	3/16	2.350±.018	.210±.005
-333	2 1/2	2 7/8	3/16	2.475±.020	.210±.005
-334	2 5/8	3	3/16	2.600±.020	.210±.005
-335	2 3/4	3 1/8	3/16	2.725±.020	.210±.005
-336	2 7/8	3 1/4	3/16	2.850±.020	.210±.005
-337	3	3 3/8	3/16	2.975±.024	.210±.005
-338	3 1/8	3 1/2	3/16	3.100±.024	.210±.005
-339	3 1/4	3 5/8	3/16	3.225±.024	.210±.005
-340	3 3/8	3 3/4	3/16	3.350±.024	.210±.005
-341	3 1/2	3 7/8	3/16	3.475±.024	.210±.005
-342	3 5/8	4	3/16	3.600±.028	.210±.005
-343	3 3/4	4 1/8	3/16	3.725±.028	.210±.005
-344	3 7/8	4 1/4	3/16	3.850±.028	.210±.005
-345	4	4 3/8	3/16	3.975±.028	.210±.005
-346	4 1/8	4 1/2	3/16	4.100±.028	.210±.005
-347	4 1/4	4 5/8	3/16	4.225±.030	.210±.005
-348	4 3/8	4 3/4	3/16	4.350±.030	.210±.005
-349	4 1/2	4 7/8	3/16	4.475±.030	.210±.005
-350	4 5/8	5	3/16	4.600±.030	.210±.005
-351	4 3/4	5 1/8	3/16	4.725±.030	.210±.005
-352	4 7/8	5 1/4	3/16	4.850±.030	.210±.005
-353	5	5 3/8	3/16	4.975±.037	.210±.005
-354	5 1/8	5 1/2	3/16	5.100±.037	.210±.005
-355	5 1/4	5 5/8	3/16	5.225±.037	.210±.005
-356	5 3/8	5 3/4	3/16	5.350±.037	.210±.005
-357	5 1/2	5 7/8	3/16	5.475±.037	.210±.005
-358	5 5/8	6	3/16	5.600±.037	.210±.005
-359	5 3/4	6 1/8	3/16	5.725±.037	.210±.005
-360	5 7/8	6 1/4	3/16	5.850±.037	.210±.005
-361	6	6 3/8	3/16	5.975±.037	.210±.005
-362	6 1/4	6 5/8	3/16	6.225±.040	.210±.005
-363	6 1/2	6 7/8	3/16	6.475±.040	.210±.005
-364	6 3/4	7 1/8	3/16	6.725±.040	.210±.005
-365	7	7 3/8	3/16	6.975±.040	.210±.005
-366	7 1/4	7 5/8	3/16	7.225±.045	.210±.005
-367	7 1/2	7 7/8	3/16	7.475±.045	.210±.005
-368	7 3/4	8 1/8	3/16	7.725±.045	.210±.005
-369	8	8 3/8	3/16	7.975±.045	.210±.005
-370	8 1/4	8 5/8	3/16	8.225±.050	.210±.005
-371	8 1/2	8 7/8	3/16	8.475±.050	.210±.005
-372	8 3/4	9 1/8	3/16	8.725±.050	.210±.005
-373	9	9 3/8	3/16	8.975±.050	.210±.005
-374	9 1/4	9 5/8	3/16	9.225±.055	.210±.005
-375	9 1/2	9 7/8	3/16	9.475±.055	.210±.005
-376	9 3/4	10 1/8	3/16	9.725±.055	.210±.005
-377	10	10 3/8	3/16	9.975±.055	.210±.005
-378	10 1/2	10 7/8	3/16	10.475±.060	.210±.005

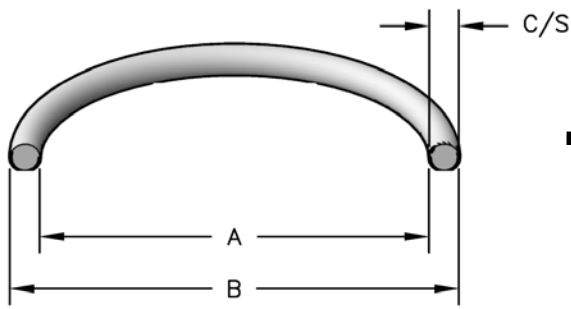
O-RING SIZE CHART AND INSTALLATION DATA

AS-568A SERIES	NOMINAL SIZE			ACTUAL DIMENSIONS	
	ID	OD	Width	ID Tol.	W. Tol.
-379	11	11 3/8	3/16	10.975±.060	.210±.005
-380	11 1/2	11 7/8	3/16	11.475±.065	.210±.005
-381	12	12 3/8	3/16	11.975±.065	.210±.005
-382	13	13 3/8	3/16	12.975±.065	.210±.005
-383	14	14 3/8	3/16	13.975±.070	.210±.005
-384	15	15 3/8	3/16	14.975±.070	.210±.005
-385	16	16 3/8	3/16	15.955±.075	.210±.005
-386	17	17 3/8	3/16	16.955±.080	.210±.005
-387	18	18 3/8	3/16	17.955±.085	.210±.005
-388	19	19 3/8	3/16	18.955±.090	.210±.005
-389	20	20 3/8	3/16	19.955±.095	.210±.005
-390	21	21 3/8	3/16	20.955±.095	.210±.005
-391	22	22 3/8	3/16	21.955±.100	.210±.005
-392	23	23 3/8	3/16	22.940±.105	.210±.005
-393	24	24 3/8	3/16	23.940±.110	.210±.005
-394	25	25 3/8	3/16	24.940±.115	.210±.005
-395	26	26 3/8	3/16	25.940±.120	.210±.005
-400*	1 3/8	1 7/8	1/4	1.225±.012	.275±.006
-401*	1 1/2	2	1/4	1.475±.014	.275±.006
-402*	1 5/8	2 1/8	1/4	1.600±.015	.275±.006
-403*	1 3/4	2 1/4	1/4	1.725±.016	.275±.006
-404*	1 7/8	2 3/8	1/4	1.850±.016	.275±.006
-405*	2	2 1/2	1/4	1.975±.017	.275±.006
-406*	2 1/8	2 5/8	1/4	2.100±.018	.275±.006
-407*	2 1/4	2 3/4	1/4	2.225±.018	.275±.006
-408*	2 3/8	2 7/8	1/4	2.350±.020	.275±.006
-409*	2 1/2	3	1/4	2.475±.020	.275±.006
-410*	2 5/8	3 1/8	1/4	2.600±.020	.275±.006
-411*	2 3/4	3 1/4	1/4	2.725±.022	.275±.006
-412*	2 7/8	3 3/8	1/4	2.850±.022	.275±.006
-413*	3	3 1/2	1/4	2.975±.024	.275±.006
-414*	3 1/8	3 5/8	1/4	3.100±.024	.275±.006
-415*	3 1/4	3 3/4	1/4	3.225±.024	.275±.006
-416*	3 3/8	3 7/8	1/4	3.350±.026	.275±.006
-417*	3 1/2	4	1/4	3.475±.026	.275±.006
-418*	3 5/8	4 1/8	1/4	3.600±.026	.275±.006
-419*	3 3/4	4 1/4	1/4	3.725±.028	.275±.006
-420*	3 7/8	4 3/8	1/4	3.850±.028	.275±.006
-421*	4	4 1/2	1/4	3.975±.028	.275±.006
-422*	4 1/8	4 5/8	1/4	4.100±.030	.275±.006
-423*	4 1/4	4 3/4	1/4	4.225±.030	.275±.006
-424*	4 3/8	4 7/8	1/4	4.350±.030	.275±.006
-425	4 1/2	5	1/4	4.475±.033	.275±.006
-426	4 5/8	5 1/8	1/4	4.600±.033	.275±.006
-427	4 3/4	5 1/4	1/4	4.725±.033	.275±.006
-428	4 7/8	5 3/8	1/4	4.850±.033	.275±.006
-429	5	5 1/2	1/4	4.975±.037	.275±.006

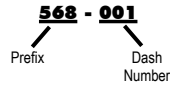
AS-568A SERIES	NOMINAL SIZE			ACTUAL DIMENSIONS	
	ID	OD	Width	ID Tol.	W. Tol.
-430	5 1/8	5 5/8	1/4	5.100±.037	.275±.006
-431	5 1/4	5 3/4	1/4	5.225±.037	.275±.006
-432	5 3/8	5 7/8	1/4	5.350±.037	.275±.006
-433	5 1/2	6	1/4	5.475±.037	.275±.006
-434	5 5/8	6 1/8	1/4	5.600±.037	.275±.006
-435	5 3/4	6 1/4	1/4	5.725±.037	.275±.006
-436	5 7/8	6 3/8	1/4	5.850±.037	.275±.006
-437	6	6 1/2	1/4	5.975±.037	.275±.006
-438	6 1/4	6 3/4	1/4	6.225±.040	.275±.006
-439	6 1/2	7	1/4	6.475±.040	.275±.006
-440	6 3/4	7 1/4	1/4	6.725±.040	.275±.006
-441	7	7 1/2	1/4	6.975±.040	.275±.006
-442	7 1/4	7 3/4	1/4	7.225±.045	.275±.006
-443	7 1/2	8	1/4	7.475±.045	.275±.006
-444	7 3/4	8 1/4	1/4	7.725±.045	.275±.006
-445	8	8 1/2	1/4	7.975±.045	.275±.006
-446	8 1/2	9	1/4	8.475±.055	.275±.006
-447	9	9 1/2	1/4	8.975±.055	.275±.006
-448	9 1/2	10	1/4	9.475±.055	.275±.006
-449	10	10 1/2	1/4	9.975±.055	.275±.006
-450	10 1/2	11	1/4	10.475±.060	.275±.006
-451	11	11 1/2	1/4	10.975±.060	.275±.006
-452	11 1/2	12	1/4	11.475±.060	.275±.006
-453	12	12 1/2	1/4	11.975±.060	.275±.006
-454	12 1/2	13	1/4	12.475±.060	.275±.006
-455	13	13 1/2	1/4	12.975±.060	.275±.006
-456	13 1/2	14	1/4	13.475±.070	.275±.006
-457	14	14 1/2	1/4	13.975±.070	.275±.006
-458	14 1/2	15	1/4	14.475±.070	.275±.006
-459	15	15 1/2	1/4	14.975±.070	.275±.006
-460	15 1/2	16	1/4	15.475±.070	.275±.006
-461	16	16 1/2	1/4	15.955±.075	.275±.006
-462	16 1/2	17	1/4	16.455±.075	.275±.006
-463	17	17 1/2	1/4	16.955±.080	.275±.006
-464	17 1/2	18	1/4	17.455±.085	.275±.006
-465	18	18 1/2	1/4	17.955±.085	.275±.006
-466	18 1/2	19	1/4	18.455±.085	.275±.006
-467	19	19 1/2	1/4	18.955±.090	.275±.006
-468	19 1/2	20	1/4	19.455±.090	.275±.006
-469	20	20 1/2	1/4	19.955±.090	.275±.006
-470	21	21 1/2	1/4	20.955±.090	.275±.006
-471	22	22 1/2	1/4	21.955±.100	.275±.006
-472	23	23 1/2	1/4	22.940±.105	.275±.006
-473	24	24 1/2	1/4	23.940±.110	.275±.006
-474	25	25 1/2	1/4	24.940±.115	.275±.006
-475	26	26 1/2	1/4	25.940±.120	.275±.006

* NON-ANSI STANDARD

STYLE 568, 70 DURO BUNA-N O-RINGS



HERCULES PART NUMBERS



SEAL INFORMATION

MATERIAL	BUNA-N RUBBER
TEMPERATURE RANGE	-40° TO +240° F
PRESSURE RANGE	VARIES ACCORDING TO DIAMETRAL CLEARANCE

O-RINGS

Part Number	A Nom. ID	B Nom. OD	C Nom. Ht	INSIDE DIAMETER	CROSS SECTION	Package Quantity	List Price
1/32" C/S							
568-001	1/32	3/32	1/32	.029 ±.004	.040 ±.003	50	\$0.09
568-001-1/2	1/16	1/8	1/32	.070 ±.004	.040 ±.003	50	0.37
3/64" C/S							
568-002	3/64	9/64	3/64	.042 ±.004	.050 ±.003	50	\$0.09
1/16" C/S							
568-003	1/16	3/16	1/16	.056 ±.004	.060 ±.003	50	\$0.09
568-004	5/64	13/64	1/16	.070 ±.005	.070 ±.003	50	0.09
568-005	3/32	7/32	1/16	.101 ±.005	.070 ±.003	50	0.09
568-006	1/8	1/4	1/16	.114 ±.005	.070 ±.003	50	0.04
568-007	5/32	9/32	1/16	.145 ±.005	.070 ±.003	50	0.04
568-008	3/16	5/16	1/16	.176 ±.005	.070 ±.003	50	0.04
568-009	7/32	11/32	1/16	.208 ±.005	.070 ±.003	50	0.04
568-010	1/4	3/8	1/16	.239 ±.005	.070 ±.003	50	0.09
568-011	5/16	7/16	1/16	.301 ±.005	.070 ±.003	50	0.09
568-012	3/8	1/2	1/16	.364 ±.005	.070 ±.003	50	0.09
568-013	7/16	9/16	1/16	.426 ±.005	.070 ±.003	50	0.09
568-014	1/2	5/8	1/16	.489 ±.005	.070 ±.003	50	0.09
568-015	9/16	11/16	1/16	.551 ±.007	.070 ±.003	50	0.11
568-016	5/8	3/4	1/16	.614 ±.009	.070 ±.003	50	0.11
568-017	11/16	13/16	1/16	.676 ±.009	.070 ±.003	50	0.16
568-018	3/4	7/8	1/16	.739 ±.009	.070 ±.003	50	0.16
568-019	13/16	15/16	1/16	.801 ±.009	.070 ±.003	50	0.17
568-020	7/8	1	1/16	.864 ±.009	.070 ±.003	50	0.17
568-021	15/16	1-1/16	1/16	.926 ±.009	.070 ±.003	50	0.17
568-022	1	1-1/8	1/16	.989 ±.010	.070 ±.003	50	0.17
568-023	1-1/16	1-3/16	1/16	1.051 ±.010	.070 ±.003	50	0.20
568-024	1-1/8	1-1/4	1/16	1.114 ±.010	.070 ±.003	50	0.20
568-025	1-3/16	1-5/16	1/16	1.176 ±.011	.070 ±.003	50	0.27
568-026	1-1/4	1-3/8	1/16	1.239 ±.011	.070 ±.003	50	0.30
568-027	1-5/16	1-7/16	1/16	1.301 ±.011	.070 ±.003	50	0.30
568-028	1-3/8	1-1/2	1/16	1.364 ±.013	.070 ±.003	20	0.30
568-029	1-1/2	1-5/8	1/16	1.489 ±.013	.070 ±.003	20	0.34
568-030	1-5/8	1-3/4	1/16	1.614 ±.013	.070 ±.003	20	0.39
568-031	1-3/4	1-7/8	1/16	1.739 ±.015	.070 ±.003	20	0.43
568-032	1-7/8	2	1/16	1.864 ±.015	.070 ±.003	20	0.49
568-033	2	2-1/8	1/16	1.989 ±.018	.070 ±.003	20	0.60
568-034	2-1/8	2-1/4	1/16	2.114 ±.018	.070 ±.003	20	0.64
568-035	2-1/4	2-3/8	1/16	2.239 ±.018	.070 ±.003	20	0.64
568-036	2-3/8	2-1/2	1/16	2.364 ±.018	.070 ±.003	20	0.68
568-037	2-1/2	2-5/8	1/16	2.489 ±.018	.070 ±.003	20	0.68
568-038	2-5/8	2-3/4	1/16	2.614 ±.020	.070 ±.003	20	0.78
568-039	2-3/4	2-7/8	1/16	2.739 ±.020	.070 ±.003	20	0.80

STYLE 568, 70 DURO BUNA-N O-RINGS

O-RINGS

Part Number	A Nom. ID	B Nom. OD	C Nom. Ht	INSIDE DIAMETER	CROSS SECTION	Package Quantity	List Price
568-040	2-7/8	3	1/16	2.864 ±.020	.070 ±.003	20	0.83
568-041	3	3-1/8	1/16	2.989 ±.024	.070 ±.003	20	0.93
568-042	3-1/4	3-3/8	1/16	3.239 ±.024	.070 ±.003	20	1.03
568-043	3-1/2	3-5/8	1/16	3.489 ±.024	.070 ±.003	20	1.08
568-044	3-3/4	3-7/8	1/16	3.739 ±.027	.070 ±.003	10	1.27
568-045	4	4-1/8	1/16	3.989 ±.027	.070 ±.003	10	1.30
568-046	4-1/4	4-3/8	1/16	4.239 ±.030	.070 ±.003	10	1.41
568-047	4-1/2	4-5/8	1/16	4.489 ±.030	.070 ±.003	10	1.54
568-048	4-3/4	4-7/8	1/16	4.739 ±.030	.070 ±.003	10	1.85
568-049	5	5-1/8	1/16	4.989 ±.037	.070 ±.003	10	2.38
568-050	5-1/4	5-3/8	1/16	5.239 ±.037	.070 ±.003	10	2.38
3/32" C/S							
568-102	1/16	1/4	3/32	.049 ±.005	.103 ±.003	50	\$0.16
568-103	3/32	9/32	3/32	.081 ±.005	.103 ±.003	50	0.16
568-104	1/8	5/16	3/32	.112 ±.005	.103 ±.003	50	0.09
568-105	5/32	11/32	3/32	.143 ±.005	.103 ±.003	50	0.09
568-106	3/16	3/8	3/32	.174 ±.005	.103 ±.003	50	0.09
568-107	7/32	13/32	3/32	.206 ±.005	.103 ±.003	50	0.09
568-108	1/4	7/16	3/32	.237 ±.005	.103 ±.003	50	0.20
568-109	5/16	1/2	3/32	.299 ±.005	.103 ±.003	50	0.09
568-110	3/8	9/16	3/32	.362 ±.005	.103 ±.003	50	0.11
568-111	7/16	5/8	3/32	.424 ±.005	.103 ±.003	50	0.11
568-112	1/2	11/16	3/32	.487 ±.005	.103 ±.003	50	0.11
568-113	9/16	3/4	3/32	.549 ±.005	.103 ±.003	50	0.11
568-114	5/8	13/16	3/32	.612 ±.009	.103 ±.003	50	0.16
568-115	11/16	7/8	3/32	.674 ±.009	.103 ±.003	50	0.16
568-116	3/4	15/16	3/32	.737 ±.009	.103 ±.003	50	0.16
568-117	13/16	1	3/32	.799 ±.010	.103 ±.003	50	0.16
568-118	7/8	1-1/16	3/32	.862 ±.010	.103 ±.003	50	0.17
568-119	15/16	1-1/8	3/32	.924 ±.010	.103 ±.003	50	0.17
568-120	1	1-3/16	3/32	.987 ±.010	.103 ±.003	50	0.17
568-121	1-1/16	1-1/4	3/32	1.049 ±.010	.103 ±.003	50	0.20
568-122	1-1/8	1-5/16	3/32	1.112 ±.010	.103 ±.003	50	0.20
568-123	1-3/16	1-3/8	3/32	1.174 ±.012	.103 ±.003	50	0.20
568-124	1-1/4	1-7/16	3/32	1.237 ±.012	.103 ±.003	50	0.30
568-125	1-5/16	1-1/2	3/32	1.299 ±.012	.103 ±.003	50	0.30
568-126	1-3/8	1-9/16	3/32	1.362 ±.012	.103 ±.003	20	0.34
568-127	1-7/16	1-5/8	3/32	1.424 ±.012	.103 ±.003	20	0.37
568-128	1-1/2	1-11/16	3/32	1.487 ±.012	.103 ±.003	20	0.39
568-129	1-9/16	1-3/4	3/32	1.549 ±.015	.103 ±.003	20	0.39
568-130	1-5/8	1-13/16	3/32	1.612 ±.015	.103 ±.003	20	0.43
568-131	1-11/16	1-7/8	3/32	1.674 ±.015	.103 ±.003	20	0.46
568-132	1-3/4	1-15/16	3/32	1.737 ±.015	.103 ±.003	20	0.46
568-133	1-13/16	2	3/32	1.799 ±.015	.103 ±.003	20	0.49
568-134	1-7/8	2-1/16	3/32	1.862 ±.015	.103 ±.003	20	0.49
568-135	1-15/16	2-1/8	3/32	1.925 ±.017	.103 ±.003	20	0.49
568-136	2	2-3/16	3/32	1.987 ±.017	.103 ±.003	20	0.50
568-137	2-1/16	2-1/4	3/32	2.050 ±.017	.103 ±.003	20	0.50
568-138	2-1/8	2-5/16	3/32	2.112 ±.017	.103 ±.003	20	0.60
568-139	2-3/16	2-3/8	3/32	2.175 ±.017	.103 ±.003	20	0.60
568-140	2-1/4	2-7/16	3/32	2.237 ±.017	.103 ±.003	20	0.60
568-141	2-5/16	2-1/2	3/32	2.300 ±.020	.103 ±.003	20	0.68
568-142	2-3/8	2-9/16	3/32	2.362 ±.020	.103 ±.003	20	0.68
568-143	2-7/16	2-5/8	3/32	2.425 ±.020	.103 ±.003	20	0.68
568-144	2-1/2	2-11/16	3/32	2.487 ±.020	.103 ±.003	20	0.78
568-145	2-9/16	2-3/4	3/32	2.550 ±.020	.103 ±.003	20	0.78
568-146	2-5/8	2-13/16	3/32	2.612 ±.020	.103 ±.003	20	0.78

STYLE 568, 70 DURO BUNA-N O-RINGS

O-RINGS

Part Number	A Nom. ID	B Nom. OD	C Nom. Ht	INSIDE DIAMETER	CROSS SECTION	Package Quantity	List Price
568-147	2-11/16	2-7/8	3/32	2.675 ±.022	.103 ±.003	20	0.78
568-148	2-3/4	2-15/16	3/32	2.737 ±.022	.103 ±.003	20	0.78
568-149	2-13/16	3	3/32	2.800 ±.022	.103 ±.003	20	0.80
568-150	2-7/8	3-1/16	3/32	2.862 ±.022	.103 ±.003	20	0.80
568-151	3	3-3/16	3/32	2.987 ±.024	.103 ±.003	20	0.87
568-152	3-1/4	3-7/16	3/32	3.237 ±.024	.103 ±.003	20	1.03
568-153	3-1/2	3-11/16	3/32	3.487 ±.024	.103 ±.003	20	1.08
568-154	3-3/4	3-15/16	3/32	3.737 ±.028	.103 ±.003	20	1.08
568-155	4	4-3/16	3/32	3.987 ±.028	.103 ±.003	10	1.41
568-156	4-1/4	4-7/16	3/32	4.237 ±.030	.103 ±.003	10	1.75
568-157	4-1/2	4-11/16	3/32	4.487 ±.030	.103 ±.003	10	1.81
568-158	4-3/4	4-15/16	3/32	4.737 ±.030	.103 ±.003	10	1.85
568-159	5	5-3/16	3/32	4.987 ±.035	.103 ±.003	10	1.98
568-160	5-1/4	5-7/16	3/32	5.237 ±.035	.103 ±.003	5	2.13
568-161	5-1/2	5-11/16	3/32	5.487 ±.035	.103 ±.003	5	2.38
568-162	5-3/4	5-15/16	3/32	5.737 ±.035	.103 ±.003	5	2.78
568-163	6	6-3/16	3/32	5.987 ±.035	.103 ±.003	5	2.91
568-164	6-1/4	6-7/16	3/32	6.237 ±.040	.103 ±.003	5	3.24
568-165	6-1/2	6-11/16	3/32	6.487 ±.040	.103 ±.003	5	3.34
568-166	6-3/4	6-15/16	3/32	6.737 ±.040	.103 ±.003	5	3.34
568-167	7	7-3/16	3/32	6.987 ±.040	.103 ±.003	5	3.34
568-168	7-1/4	7-7/16	3/32	7.237 ±.045	.103 ±.003	5	3.65
568-169	7-1/2	7-11/16	3/32	7.487 ±.045	.103 ±.003	5	3.78
568-170	7-3/4	7-15/16	3/32	7.737 ±.045	.103 ±.003	5	3.89
568-171	8	8-3/16	3/32	7.987 ±.045	.103 ±.003	1	4.85
568-172	8-1/4	8-7/16	3/32	8.237 ±.050	.103 ±.003	1	5.05
568-173	8-1/2	8-11/16	3/32	8.487 ±.050	.103 ±.003	1	5.39
568-174	8-3/4	8-15/16	3/32	8.737 ±.050	.103 ±.003	1	5.93
568-175	9	9-3/16	3/32	8.987 ±.050	.103 ±.003	1	6.49
568-176	9-1/4	9-7/16	3/32	9.237 ±.055	.103 ±.003	1	7.00
568-177	9-1/2	9-11/16	3/32	9.487 ±.055	.103 ±.003	1	7.23
568-178	9-3/4	9-15/16	3/32	9.737 ±.055	.103 ±.003	1	7.57
1/8" C/S							
568-201	3/16	7/16	1/8	.171 ±.005	.139 ±.004	50	\$0.09
568-202	1/4	1/2	1/8	.234 ±.005	.139 ±.004	50	0.09
568-203	5/16	9/16	1/8	.296 ±.005	.139 ±.004	50	0.11
568-204	3/8	5/8	1/8	.359 ±.005	.139 ±.004	50	0.11
568-205	7/16	11/16	1/8	.421 ±.005	.139 ±.004	50	0.11
568-206	1/2	3/4	1/8	.484 ±.005	.139 ±.004	50	0.16
568-207	9/16	13/16	1/8	.546 ±.007	.139 ±.004	50	0.16
568-208	5/8	7/8	1/8	.609 ±.009	.139 ±.004	50	0.17
568-209	11/16	15/16	1/8	.671 ±.009	.139 ±.004	50	0.17
568-210	3/4	1	1/8	.734 ±.010	.139 ±.004	50	0.17
568-211	13/16	1-1/16	1/8	.796 ±.010	.139 ±.004	50	0.20
568-212	7/8	1-1/8	1/8	.859 ±.010	.139 ±.004	50	0.20
568-213	15/16	1-3/16	1/8	.921 ±.010	.139 ±.004	50	0.20
568-214	1	1-1/4	1/8	.984 ±.010	.139 ±.004	50	0.27
568-215	1-1/16	1-5/16	1/8	1.046 ±.010	.139 ±.004	50	0.30
568-216	1-1/8	1-3/8	1/8	1.109 ±.012	.139 ±.004	50	0.30
568-217	1-3/16	1-7/16	1/8	1.171 ±.012	.139 ±.004	50	0.34
568-218	1-1/4	1-1/2	1/8	1.234 ±.012	.139 ±.004	50	0.34
568-219	1-5/16	1-9/16	1/8	1.296 ±.012	.139 ±.004	50	0.34
568-220	1-3/8	1-5/8	1/8	1.359 ±.012	.139 ±.004	20	0.37
568-221	1-7/16	1-11/16	1/8	1.421 ±.012	.139 ±.004	20	0.39
568-222	1-1/2	1-3/4	1/8	1.484 ±.015	.139 ±.004	20	0.43
568-223	1-5/8	1-7/8	1/8	1.609 ±.015	.139 ±.004	20	0.49
568-224	1-3/4	2	1/8	1.734 ±.015	.139 ±.004	20	0.88

STYLE 568, 70 DURO BUNA-N O-RINGS

O-RINGS

Part Number	A Nom. ID	B Nom. OD	C Nom. Ht	INSIDE DIAMETER	CROSS SECTION	Package Quantity	List Price
568-225	1-7/8	2-1/8	1/8	1.859 ±.018	.139 ±.004	20	0.54
568-226	2	2-1/4	1/8	1.984 ±.018	.139 ±.004	20	0.64
568-227	2-1/8	2-3/8	1/8	2.109 ±.018	.139 ±.004	20	0.64
568-834	2-3/16	2-7/16	1/8	2.187 ±.010	.139 ±.004	20	0.62
568-228	2-1/4	2-1/2	1/8	2.234 ±.020	.139 ±.004	20	0.68
568-836	2-5/16	2-9/16	1/8	2.313 ±.010	.139 ±.004	20	0.87
568-229	2-3/8	2-5/8	1/8	2.359 ±.020	.139 ±.004	20	0.78
568-230	2-1/2	2-3/4	1/8	2.484 ±.020	.139 ±.004	20	0.83
568-231	2-5/8	2-7/8	1/8	2.609 ±.020	.139 ±.004	20	0.87
568-232	2-3/4	3	1/8	2.734 ±.024	.139 ±.004	20	0.87
568-233	2-7/8	3-1/8	1/8	2.859 ±.024	.139 ±.004	20	0.91
568-234	3	3-1/4	1/8	2.984 ±.024	.139 ±.004	20	0.97
568-235	3-1/8	3-3/8	1/8	3.109 ±.024	.139 ±.004	20	1.03
568-236	3-1/4	3-1/2	1/8	3.234 ±.024	.139 ±.004	20	1.08
568-237	3-3/8	3-5/8	1/8	3.359 ±.024	.139 ±.004	20	1.08
568-238	3-1/2	3-3/4	1/8	3.484 ±.024	.139 ±.004	20	1.14
568-239	3-5/8	3-7/8	1/8	3.609 ±.028	.139 ±.004	20	1.14
568-240	3-3/4	4	1/8	3.734 ±.028	.139 ±.004	20	1.18
568-241	3-7/8	4-1/8	1/8	3.859 ±.028	.139 ±.004	20	1.20
568-242	4	4-1/4	1/8	3.984 ±.028	.139 ±.004	10	1.30
568-243	4-1/8	4-3/8	1/8	4.109 ±.028	.139 ±.004	10	1.41
568-244	4-1/4	4-1/2	1/8	4.234 ±.030	.139 ±.004	10	1.45
568-245	4-3/8	4-5/8	1/8	4.359 ±.030	.139 ±.004	10	1.61
568-246	4-1/2	4-3/4	1/8	4.484 ±.030	.139 ±.004	10	1.85
568-247	4-5/8	4-7/8	1/8	4.609 ±.030	.139 ±.004	10	1.90
568-248	4-3/4	5	1/8	4.734 ±.030	.139 ±.004	10	1.95
568-249	4-7/8	5-1/8	1/8	4.859 ±.035	.139 ±.004	10	2.07
568-250	5	5-1/4	1/8	4.984 ±.035	.139 ±.004	10	2.07
568-251	5-1/8	5-3/8	1/8	5.109 ±.035	.139 ±.004	10	2.13
568-252	5-1/4	5-1/2	1/8	5.234 ±.035	.139 ±.004	10	2.13
568-253	5-3/8	5-5/8	1/8	5.359 ±.035	.139 ±.004	10	2.28
568-254	5-1/2	5-3/4	1/8	5.484 ±.035	.139 ±.004	5	2.50
568-255	5-5/8	5-7/8	1/8	5.609 ±.035	.139 ±.004	5	2.60
568-256	5-3/4	6	1/8	5.734 ±.035	.139 ±.004	5	2.71
568-257	5-7/8	6-1/8	1/8	5.859 ±.035	.139 ±.004	5	2.78
568-258	6	6-1/4	1/8	5.984 ±.035	.139 ±.004	5	2.91
568-259	6-1/4	6-1/2	1/8	6.234 ±.040	.139 ±.004	5	3.24
568-260	6-1/2	6-3/4	1/8	6.484 ±.040	.139 ±.004	5	3.24
568-261	6-3/4	7	1/8	6.734 ±.040	.139 ±.004	5	3.47
568-262	7	7-1/4	1/8	6.984 ±.040	.139 ±.004	5	3.57
568-263	7-1/4	7-1/2	1/8	7.234 ±.045	.139 ±.004	5	3.89
568-264	7-1/2	7-3/4	1/8	7.484 ±.045	.139 ±.004	5	3.98
568-265	7-3/4	8	1/8	7.734 ±.045	.139 ±.004	5	4.36
568-266	8	8-1/4	1/8	7.984 ±.045	.139 ±.004	5	4.44
568-267	8-1/4	8-1/2	1/8	8.234 ±.050	.139 ±.004	5	4.52
568-268	8-1/2	8-3/4	1/8	8.484 ±.050	.139 ±.004	1	4.96
568-269	8-3/4	9	1/8	8.734 ±.050	.139 ±.004	1	5.39
568-270	9	9-1/4	1/8	8.984 ±.050	.139 ±.004	1	6.21
568-271	9-1/4	9-1/2	1/8	9.234 ±.055	.139 ±.004	1	5.39
568-272	9-1/2	9-3/4	1/8	9.484 ±.055	.139 ±.004	1	5.39
568-273	9-3/4	10	1/8	9.734 ±.055	.139 ±.004	1	5.39
568-274	10	10-1/4	1/8	9.984 ±.055	.139 ±.004	1	5.39
568-275	10-1/2	10-3/4	1/8	10.484 ±.055	.139 ±.004	1	5.93
568-276	11	11-1/4	1/8	10.984 ±.065	.139 ±.004	1	6.49
568-277	11-1/2	11-3/4	1/8	11.484 ±.065	.139 ±.004	1	6.49
568-278	12	12-1/4	1/8	11.984 ±.065	.139 ±.004	1	7.00
568-279	13	13-1/4	1/8	12.984 ±.065	.139 ±.004	1	8.64

STYLE 568, 70 DURO BUNA-N O-RINGS

O-RINGS

Part Number	A Nom. ID	B Nom. OD	C Nom. Ht	INSIDE DIAMETER	CROSS SECTION	Package Quantity	List Price
568-280	14	14-1/4	1/8	13.984 ±.065	.139 ±.004	1	10.60
568-281	15	15-1/4	1/8	14.984 ±.065	.139 ±.004	1	12.44
568-282	16	16-1/4	1/8	15.955 ±.075	.139 ±.004	1	13.51
568-283	17	17-1/4	1/8	16.955 ±.080	.139 ±.004	1	15.13
568-284	18	18-1/4	1/8	17.955 ±.085	.139 ±.004	1	17.26
3/16" C/S							
568-309	7/16	13/16	3/16	.412 ±.005	.210 ±.005	50	\$0.27
568-310	1/2	7/8	3/16	.475 ±.005	.210 ±.005	50	0.30
568-311	9/16	15/16	3/16	.537 ±.007	.210 ±.005	50	0.30
568-312	5/8	1	3/16	.600 ±.009	.210 ±.005	50	0.37
568-313	11/16	1-1/16	3/16	.662 ±.009	.210 ±.005	50	0.37
568-314	3/4	1-1/8	3/16	.725 ±.010	.210 ±.005	50	0.37
568-315	13/16	1-3/16	3/16	.787 ±.010	.210 ±.005	50	0.39
568-316	7/8	1-1/4	3/16	.850 ±.010	.210 ±.005	50	0.39
568-317	15/16	1-5/16	3/16	.912 ±.010	.210 ±.005	50	0.39
568-318	1	1-3/8	3/16	.975 ±.010	.210 ±.005	50	0.39
568-319	1-1/16	1-7/16	3/16	1.037 ±.010	.210 ±.005	50	0.46
568-320	1-1/8	1-1/2	3/16	1.100 ±.012	.210 ±.005	20	0.49
568-321	1-3/16	1-9/16	3/16	1.162 ±.012	.210 ±.005	20	0.49
568-322	1-1/4	1-5/8	3/16	1.225 ±.012	.210 ±.005	20	0.49
568-323	1-5/16	1-11/16	3/16	1.287 ±.012	.210 ±.005	20	0.49
568-324	1-3/8	1-3/4	3/16	1.350 ±.012	.210 ±.005	20	0.49
568-325	1-1/2	1-7/8	3/16	1.475 ±.015	.210 ±.005	20	0.54
568-326	1-5/8	2	3/16	1.600 ±.015	.210 ±.005	20	0.54
568-327	1-3/4	2-1/8	3/16	1.725 ±.015	.210 ±.005	20	0.68
568-328	1-7/8	2-1/4	3/16	1.850 ±.015	.210 ±.005	20	0.78
568-329	2	2-3/8	3/16	1.975 ±.018	.210 ±.005	20	0.83
568-330	2-1/8	2-1/2	3/16	2.100 ±.018	.210 ±.005	20	0.91
568-331	2-1/4	2-5/8	3/16	2.225 ±.018	.210 ±.005	20	0.97
568-332	2-3/8	2-3/4	3/16	2.350 ±.018	.210 ±.005	20	1.08
568-333	2-1/2	2-7/8	3/16	2.475 ±.020	.210 ±.005	20	1.18
568-334	2-5/8	3	3/16	2.600 ±.020	.210 ±.005	20	1.20
568-335	2-3/4	3-1/8	3/16	2.725 ±.020	.210 ±.005	10	1.30
568-336	2-7/8	3-1/4	3/16	2.850 ±.020	.210 ±.005	10	1.41
568-337	3	3-3/8	3/16	2.975 ±.024	.210 ±.005	10	1.45
568-338	3-1/8	3-1/2	3/16	3.100 ±.024	.210 ±.005	10	1.45
568-339	3-1/4	3-5/8	3/16	3.225 ±.024	.210 ±.005	10	1.61
568-340	3-3/8	3-3/4	3/16	3.350 ±.024	.210 ±.005	10	1.75
568-341	3-1/2	3-7/8	3/16	3.475 ±.024	.210 ±.005	10	1.75
568-342	3-5/8	4	3/16	3.600 ±.028	.210 ±.005	10	1.90
568-343	3-3/4	4-1/8	3/16	3.725 ±.028	.210 ±.005	10	1.95
568-344	3-7/8	4-1/4	3/16	3.850 ±.028	.210 ±.005	10	1.95
568-345	4	4-3/8	3/16	3.975 ±.028	.210 ±.005	10	2.13
568-346	4-1/8	4-1/2	3/16	4.100 ±.028	.210 ±.005	10	2.13
568-347	4-1/4	4-5/8	3/16	4.225 ±.030	.210 ±.005	10	2.13
568-348	4-3/8	4-3/4	3/16	4.350 ±.030	.210 ±.005	10	2.13
568-349	4-1/2	4-7/8	3/16	4.475 ±.030	.210 ±.005	10	2.38
568-350	4-5/8	5	3/16	4.600 ±.030	.210 ±.005	5	2.50
568-351	4-3/4	5-1/8	3/16	4.725 ±.030	.210 ±.005	5	2.50
568-352	4-7/8	5-1/4	3/16	4.850 ±.030	.210 ±.005	5	2.60
568-353	5	5-3/8	3/16	4.975 ±.037	.210 ±.005	5	2.71
568-354	5-1/8	5-1/2	3/16	5.100 ±.037	.210 ±.005	5	2.91
568-355	5-1/4	5-5/8	3/16	5.225 ±.037	.210 ±.005	5	3.24
568-356	5-3/8	5-3/4	3/16	5.350 ±.037	.210 ±.005	5	3.24
568-357	5-1/2	5-7/8	3/16	5.475 ±.037	.210 ±.005	5	3.34
568-358	5-5/8	6	3/16	5.600 ±.037	.210 ±.005	5	3.57
568-359	5-3/4	6-1/8	3/16	5.725 ±.037	.210 ±.005	5	3.57

STYLE 568, 70 DURO BUNA-N O-RINGS

O-RINGS

Part Number	A Nom. ID	B Nom. OD	C Nom. Ht	INSIDE DIAMETER	CROSS SECTION	Package Quantity	List Price
568-360	5-7/8	6-1/4	3/16	5.850 ±.037	.210 ±.005	5	3.78
568-361	6	6-3/8	3/16	5.975 ±.037	.210 ±.005	5	3.89
568-644	6-1/8	6-1/2	3/16	6.102 ±.040	.210 ±.005	5	3.33
568-362	6-1/4	6-5/8	3/16	6.225 ±.040	.210 ±.005	5	3.98
568-363	6-1/2	6-7/8	3/16	6.475 ±.040	.210 ±.005	5	4.16
568-364	6-3/4	7-1/8	3/16	6.725 ±.040	.210 ±.005	5	4.36
568-365	7	7-3/8	3/16	6.975 ±.040	.210 ±.005	5	4.52
568-366	7-1/4	7-5/8	3/16	7.225 ±.045	.210 ±.005	5	4.52
568-367	7-1/2	7-7/8	3/16	7.475 ±.045	.210 ±.005	5	4.52
568-368	7-3/4	8-1/8	3/16	7.725 ±.045	.210 ±.005	5	4.52
568-369	8	8-3/8	3/16	7.975 ±.045	.210 ±.005	1	5.05
568-370	8-1/4	8-5/8	3/16	8.225 ±.050	.210 ±.005	1	5.59
568-371	8-1/2	8-7/8	3/16	8.475 ±.050	.210 ±.005	1	5.85
568-372	8-3/4	9-1/8	3/16	8.725 ±.050	.210 ±.005	1	5.93
568-373	9	9-3/8	3/16	8.975 ±.050	.210 ±.005	1	6.49
568-374	9-1/4	9-5/8	3/16	9.225 ±.055	.210 ±.005	1	6.60
568-375	9-1/2	9-7/8	3/16	9.475 ±.055	.210 ±.005	1	6.70
568-376	9-3/4	10-1/8	3/16	9.725 ±.055	.210 ±.005	1	6.80
568-377	10	10-3/8	3/16	9.975 ±.055	.210 ±.005	1	6.80
568-378	10-1/2	10-7/8	3/16	10.475 ±.060	.210 ±.005	1	8.64
568-379	11	11-3/8	3/16	10.975 ±.060	.210 ±.005	1	9.17
568-380	11-1/2	11-7/8	3/16	11.475 ±.065	.210 ±.005	1	9.39
568-381	12	12-3/8	3/16	11.975 ±.065	.210 ±.005	1	9.74
568-382	13	13-3/8	3/16	12.975 ±.065	.210 ±.005	1	9.74
568-383	14	14-3/8	3/16	13.975 ±.070	.210 ±.005	1	12.97
568-384	15	15-3/8	3/16	14.975 ±.070	.210 ±.005	1	12.97
568-385	16	16-3/8	3/16	15.955 ±.075	.210 ±.005	1	15.13
568-386	17	17-3/8	3/16	16.955 ±.080	.210 ±.005	1	16.20
568-387	18	18-3/8	3/16	17.955 ±.085	.210 ±.005	1	18.37
568-388	19	19-3/8	3/16	18.955 ±.090	.210 ±.005	1	18.90
568-389	20	20-3/8	3/16	19.955 ±.095	.210 ±.005	1	18.90
568-390	21	21-3/8	3/16	20.955 ±.095	.210 ±.005	1	18.90
568-391	22	22-3/8	3/16	21.955 ±.100	.210 ±.005	1	19.44
568-392	23	23-3/8	3/16	22.940 ±.105	.210 ±.005	1	19.44
568-393	24	24-3/8	3/16	23.940 ±.110	.210 ±.005	1	31.31
568-394	25	25-3/8	3/16	24.940 ±.115	.210 ±.005	1	31.34
568-395	26	26-3/8	3/16	25.940 ±.120	.210 ±.005	1	34.56
1/4" C/S							
568-400	1-3/8	1-7/8	1/4	1.225 ±.012	.275 ±.006	5	\$5.08
568-401	1-1/2	2	1/4	1.475 ±.014	.275 ±.006	5	5.13
568-402	1-5/8	2-1/8	1/4	1.600 ±.015	.275 ±.006	5	5.29
568-403	1-3/4	2-1/4	1/4	1.725 ±.016	.275 ±.006	5	5.31
568-404	1-7/8	2-3/8	1/4	1.850 ±.016	.275 ±.006	5	5.38
568-405	2	2-1/2	1/4	1.975 ±.017	.275 ±.006	5	5.46
568-406	2-1/8	2-5/8	1/4	2.100 ±.018	.275 ±.006	5	5.52
568-407	2-1/4	2-3/4	1/4	2.225 ±.018	.275 ±.006	5	5.66
568-408	2-3/8	2-7/8	1/4	2.350 ±.020	.275 ±.006	5	5.72
568-409	2-1/2	3	1/4	2.475 ±.020	.275 ±.006	5	5.85
568-410	2-5/8	3-1/8	1/4	2.600 ±.020	.275 ±.006	5	5.92
568-411	2-3/4	3-1/4	1/4	2.725 ±.022	.275 ±.006	5	5.99
568-412	2-7/8	3-3/8	1/4	2.850 ±.022	.275 ±.006	5	6.08
568-413	3	3-1/2	1/4	2.975 ±.024	.275 ±.006	5	6.12
568-414	3-1/8	3-5/8	1/4	3.100 ±.024	.275 ±.006	5	6.20
568-415	3-1/4	3-3/4	1/4	3.225 ±.024	.275 ±.006	5	6.33
568-416	3-3/8	3-7/8	1/4	3.350 ±.026	.275 ±.006	5	6.39
568-417	3-1/2	4	1/4	3.475 ±.026	.275 ±.006	5	6.50
568-418	3-5/8	4-1/8	1/4	3.600 ±.026	.275 ±.006	5	6.58

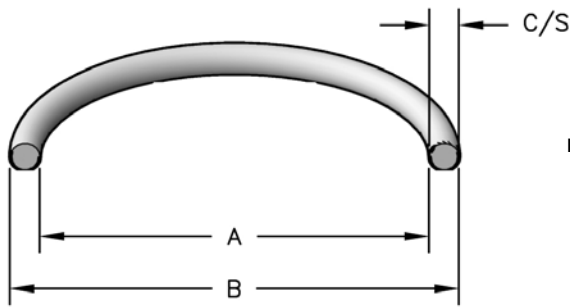
STYLE 568, 70 DURO BUNA-N O-RINGS

O-RINGS

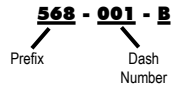
Part Number	A Nom. ID	B Nom. OD	C Nom. Ht	INSIDE DIAMETER	CROSS SECTION	Package Quantity	List Price
568-419	3-3/4	4-1/4	1/4	3.725 ±.028	.275 ±.006	5	6.63
568-420	3-7/8	4-3/8	1/4	3.850 ±.028	.275 ±.006	5	6.75
568-421	4	4-1/2	1/4	3.975 ±.028	.275 ±.006	5	6.87
568-422	4-1/8	4-5/8	1/4	4.100 ±.030	.275 ±.006	5	6.99
568-423	4-1/4	4-3/4	1/4	4.225 ±.030	.275 ±.006	5	7.15
568-424	4-3/8	4-7/8	1/4	4.350 ±.030	.275 ±.006	5	7.35
568-425	4-1/2	5	1/4	4.475 ±.033	.275 ±.006	5	2.71
568-426	4-5/8	5-1/8	1/4	4.600 ±.033	.275 ±.006	5	2.71
568-427	4-3/4	5-1/4	1/4	4.725 ±.033	.275 ±.006	5	2.71
568-428	4-7/8	5-3/8	1/4	4.850 ±.033	.275 ±.006	5	2.91
568-429	5	5-1/2	1/4	4.975 ±.037	.275 ±.006	5	3.04
568-430	5-1/8	5-5/8	1/4	5.100 ±.037	.275 ±.006	5	3.04
568-431	5-1/4	5-3/4	1/4	5.225 ±.037	.275 ±.006	5	3.47
568-432	5-3/8	5-7/8	1/4	5.350 ±.037	.275 ±.006	5	3.52
568-433	5-1/2	6	1/4	5.475 ±.037	.275 ±.006	5	3.52
568-434	5-5/8	6-1/8	1/4	5.600 ±.037	.275 ±.006	5	3.57
568-435	5-3/4	6-1/4	1/4	5.725 ±.037	.275 ±.006	5	3.78
568-436	5-7/8	6-3/8	1/4	5.850 ±.037	.275 ±.006	5	3.78
568-437	6	6-1/2	1/4	5.975 ±.037	.275 ±.006	5	4.08
568-438	6-1/4	6-3/4	1/4	6.225 ±.040	.275 ±.006	5	4.36
568-439	6-1/2	7	1/4	6.475 ±.040	.275 ±.006	5	4.52
568-440	6-3/4	7-1/4	1/4	6.725 ±.040	.275 ±.006	1	4.85
568-441	7	7-1/2	1/4	6.975 ±.040	.275 ±.006	1	5.31
568-442	7-1/4	7-3/4	1/4	7.225 ±.045	.275 ±.006	1	5.39
568-443	7-1/2	8	1/4	7.475 ±.045	.275 ±.006	1	5.59
568-444	7-3/4	8-1/4	1/4	7.725 ±.045	.275 ±.006	1	7.11
568-445	8	8-1/2	1/4	7.975 ±.045	.275 ±.006	1	6.16
568-446	8-1/2	9	1/4	8.475 ±.055	.275 ±.006	1	6.38
568-447	9	9-1/2	1/4	8.975 ±.055	.275 ±.006	1	6.70
568-448	9-1/2	10	1/4	9.475 ±.055	.275 ±.006	1	6.70
568-449	10	10-1/2	1/4	9.975 ±.055	.275 ±.006	1	6.70
568-450	10-1/2	11	1/4	10.475 ±.060	.275 ±.006	1	8.10
568-451	11	11-1/2	1/4	10.975 ±.060	.275 ±.006	1	8.43
568-452	11-1/2	12	1/4	11.475 ±.060	.275 ±.006	1	9.17
568-453	12	12-1/2	1/4	11.975 ±.060	.275 ±.006	1	9.74
568-454	12-1/2	13	1/4	12.475 ±.060	.275 ±.006	1	10.27
568-455	13	13-1/2	1/4	12.975 ±.060	.275 ±.006	1	12.97
568-456	13-1/2	14	1/4	13.475 ±.070	.275 ±.006	1	12.97
568-457	14	14-1/2	1/4	13.975 ±.070	.275 ±.006	1	12.97
568-458	14-1/2	15	1/4	14.475 ±.070	.275 ±.006	1	12.97
568-459	15	15-1/2	1/4	14.975 ±.070	.275 ±.006	1	13.39
568-460	15-1/2	16	1/4	15.475 ±.070	.275 ±.006	1	14.03
568-461	16	16-1/2	1/4	15.955 ±.075	.275 ±.006	1	15.68
568-462	16-1/2	17	1/4	16.455 ±.075	.275 ±.006	1	16.20
568-463	17	17-1/2	1/4	16.955 ±.080	.275 ±.006	1	17.26
568-464	17-1/2	18	1/4	17.455 ±.085	.275 ±.006	1	18.37
568-465	18	18-1/2	1/4	17.955 ±.085	.275 ±.006	1	20.54
568-466	18-1/2	19	1/4	18.455 ±.085	.275 ±.006	1	20.54
568-467	19	19-1/2	1/4	18.955 ±.090	.275 ±.006	1	20.54
568-468	19-1/2	20	1/4	19.455 ±.090	.275 ±.006	1	21.61
568-469	20	20-1/2	1/4	19.955 ±.090	.275 ±.006	1	21.58
568-470	21	21-1/2	1/4	20.955 ±.090	.275 ±.006	1	21.62
568-471	22	22-1/2	1/4	21.955 ±.100	.275 ±.006	1	21.87
568-472	23	23-1/2	1/4	22.940 ±.105	.275 ±.006	1	21.98
568-473	24	24-1/2	1/4	23.940 ±.110	.275 ±.006	1	22.09
568-474	25	25-1/2	1/4	24.940 ±.115	.275 ±.006	1	22.35
568-475	26	26-1/2	1/4	25.940 ±.120	.275 ±.006	1	22.59

STYLE 568, BULK 70 DURO BUNA-N O-RINGS

O-RINGS



HERCULES PART NUMBERS



SEAL INFORMATION	
MATERIAL	BUNA-N RUBBER
TEMPERATURE RANGE	-40° TO +240° F
PRESSURE RANGE	VARIES ACCORDING TO DIAMETRAL CLEARANCE

Part Number	A Nom. ID	B Nom. OD	C Nom. Ht	INSIDE DIAMETER	CROSS SECTION	Package Quantity	List Price
1/32" C/S							
568-001-B	1/32	3/32	1/32	.029 ±.004	.040 ±.003	1000	\$0.09
3/64" C/S							
568-002-B	3/64	9/64	3/64	.042 ±.004	.050 ±.003	1000	\$0.09
1/16" C/S							
568-003-B	1/16	3/16	1/16	.056 ±.004	.060 ±.003	1000	\$0.09
568-004-B	5/64	13/64	1/16	.070 ±.005	.070 ±.003	1000	0.09
568-005-B	3/32	7/32	1/16	.101 ±.005	.070 ±.003	1000	0.09
568-006-B	1/8	1/4	1/16	.114 ±.005	.070 ±.003	1000	0.04
568-007-B	5/32	9/32	1/16	.145 ±.005	.070 ±.003	1000	0.04
568-008-B	3/16	5/16	1/16	.176 ±.005	.070 ±.003	1000	0.04
568-009-B	7/32	11/32	1/16	.208 ±.005	.070 ±.003	1000	0.04
568-010-B	1/4	3/8	1/16	.239 ±.005	.070 ±.003	1000	0.09
568-011-B	5/16	7/16	1/16	.301 ±.005	.070 ±.003	1000	0.09
568-012-B	3/8	1/2	1/16	.364 ±.005	.070 ±.003	1000	0.09
568-013-B	7/16	9/16	1/16	.426 ±.005	.070 ±.003	1000	0.09
568-014-B	1/2	5/8	1/16	.489 ±.005	.070 ±.003	1000	0.09
568-015-B	9/16	11/16	1/16	.551 ±.007	.070 ±.003	1000	0.11
568-016-B	5/8	3/4	1/16	.614 ±.009	.070 ±.003	1000	0.11
568-017-B	11/16	13/16	1/16	.676 ±.009	.070 ±.003	1000	0.16
568-018-B	3/4	7/8	1/16	.739 ±.009	.070 ±.003	1000	0.16
568-019-B	13/16	15/16	1/16	.801 ±.009	.070 ±.003	1000	0.17
568-020-B	7/8	1	1/16	.864 ±.009	.070 ±.003	1000	0.17
568-021-B	15/16	1-1/16	1/16	.926 ±.009	.070 ±.003	1000	0.17
568-022-B	1	1-1/8	1/16	.989 ±.010	.070 ±.003	1000	0.17
568-023-B	1-1/16	1-3/16	1/16	1.051 ±.010	.070 ±.003	1000	0.20
568-024-B	1-1/8	1-1/4	1/16	1.114 ±.010	.070 ±.003	1000	0.20
568-025-B	1-3/16	1-5/16	1/16	1.176 ±.011	.070 ±.003	1000	0.26
568-026-B	1-1/4	1-3/8	1/16	1.239 ±.011	.070 ±.003	1000	0.27
568-027-B	1-5/16	1-7/16	1/16	1.301 ±.011	.070 ±.003	1000	0.27
568-028-B	1-3/8	1-1/2	1/16	1.364 ±.013	.070 ±.003	400	0.27
568-029-B	1-1/2	1-5/8	1/16	1.489 ±.013	.070 ±.003	400	0.30
568-030-B	1-5/8	1-3/4	1/16	1.614 ±.013	.070 ±.003	400	0.37
568-031-B	1-3/4	1-7/8	1/16	1.739 ±.015	.070 ±.003	400	0.41
568-032-B	1-7/8	2	1/16	1.864 ±.015	.070 ±.003	400	0.47
568-033-B	2	2-1/8	1/16	1.989 ±.018	.070 ±.003	400	0.58
568-034-B	2-1/8	2-1/4	1/16	2.114 ±.018	.070 ±.003	400	0.63
568-035-B	2-1/4	2-3/8	1/16	2.239 ±.018	.070 ±.003	400	0.63
568-036-B	2-3/8	2-1/2	1/16	2.364 ±.018	.070 ±.003	400	0.64
568-037-B	2-1/2	2-5/8	1/16	2.489 ±.018	.070 ±.003	400	0.64
568-038-B	2-5/8	2-3/4	1/16	2.614 ±.020	.070 ±.003	400	0.71
568-039-B	2-3/4	2-7/8	1/16	2.739 ±.020	.070 ±.003	400	0.73
568-040-B	2-7/8	3	1/16	2.864 ±.020	.070 ±.003	400	0.78

STYLE 568, BULK 70 DURO BUNA-N O-RINGS

O-RINGS

Part Number	A Nom. ID	B Nom. OD	C Nom. Ht	INSIDE DIAMETER	CROSS SECTION	Package Quantity	List Price
568-041-B	3	3-1/8	1/16	2.989 ±.024	.070 ±.003	400	0.90
568-042-B	3-1/4	3-3/8	1/16	3.239 ±.024	.070 ±.003	400	1.00
568-043-B	3-1/2	3-5/8	1/16	3.489 ±.024	.070 ±.003	400	1.06
568-044-B	3-3/4	3-7/8	1/16	3.739 ±.027	.070 ±.003	400	1.23
568-045-B	4	4-1/8	1/16	3.989 ±.027	.070 ±.003	400	1.24
568-046-B	4-1/4	4-3/8	1/16	4.239 ±.030	.070 ±.003	200	1.36
568-047-B	4-1/2	4-5/8	1/16	4.489 ±.030	.070 ±.003	200	1.48
568-048-B	4-3/4	4-7/8	1/16	4.739 ±.030	.070 ±.003	200	1.77
568-049-B	5	5-1/8	1/16	4.989 ±.037	.070 ±.003	200	2.28
568-050-B	5-1/4	5-3/8	1/16	5.239 ±.037	.070 ±.003	200	2.28
3/32" C/S							
568-102-B	1/16	1/4	3/32	.049 ±.005	.103 ±.003	1000	\$0.16
568-103-B	3/32	9/32	3/32	.081 ±.005	.103 ±.003	1000	0.16
568-104-B	1/8	5/16	3/32	.112 ±.005	.103 ±.003	1000	0.09
568-105-B	5/32	11/32	3/32	.143 ±.005	.103 ±.003	1000	0.09
568-106-B	3/16	3/8	3/32	.174 ±.005	.103 ±.003	1000	0.09
568-107-B	7/32	13/32	3/32	.206 ±.005	.103 ±.003	1000	0.09
568-108-B	1/4	7/16	3/32	.237 ±.005	.103 ±.003	1000	0.20
568-109-B	5/16	1/2	3/32	.299 ±.005	.103 ±.003	1000	0.09
568-110-B	3/8	9/16	3/32	.362 ±.005	.103 ±.003	1000	0.11
568-111-B	7/16	5/8	3/32	.424 ±.005	.103 ±.003	1000	0.11
568-112-B	1/2	11/16	3/32	.487 ±.005	.103 ±.003	1000	0.11
568-113-B	9/16	3/4	3/32	.549 ±.005	.103 ±.003	1000	0.11
568-114-B	5/8	13/16	3/32	.612 ±.009	.103 ±.003	1000	0.16
568-115-B	11/16	7/8	3/32	.674 ±.009	.103 ±.003	1000	0.16
568-116-B	3/4	15/16	3/32	.737 ±.009	.103 ±.003	1000	0.16
568-117-B	13/16	1	3/32	.799 ±.010	.103 ±.003	1000	0.16
568-118-B	7/8	1-1/16	3/32	.862 ±.010	.103 ±.003	1000	0.17
568-119-B	15/16	1-1/8	3/32	.924 ±.010	.103 ±.003	1000	0.17
568-120-B	1	1-3/16	3/32	.987 ±.010	.103 ±.003	1000	0.17
568-121-B	1-1/16	1-1/4	3/32	1.049 ±.010	.103 ±.003	1000	0.20
568-122-B	1-1/8	1-5/16	3/32	1.112 ±.010	.103 ±.003	1000	0.20
568-123-B	1-3/16	1-3/8	3/32	1.174 ±.012	.103 ±.003	1000	0.20
568-124-B	1-1/4	1-7/16	3/32	1.237 ±.012	.103 ±.003	1000	0.27
568-125-B	1-5/16	1-1/2	3/32	1.299 ±.012	.103 ±.003	1000	0.27
568-126-B	1-3/8	1-9/16	3/32	1.362 ±.012	.103 ±.003	400	0.30
568-127-B	1-7/16	1-5/8	3/32	1.424 ±.012	.103 ±.003	400	0.34
568-128-B	1-1/2	1-11/16	3/32	1.487 ±.012	.103 ±.003	400	0.37
568-129-B	1-9/16	1-3/4	3/32	1.549 ±.015	.103 ±.003	400	0.37
568-130-B	1-5/8	1-13/16	3/32	1.612 ±.015	.103 ±.003	400	0.41
568-131-B	1-11/16	1-7/8	3/32	1.674 ±.015	.103 ±.003	400	0.46
568-132-B	1-3/4	1-15/16	3/32	1.737 ±.015	.103 ±.003	400	0.46
568-133-B	1-13/16	2	3/32	1.799 ±.015	.103 ±.003	400	0.47
568-134-B	1-7/8	2-1/16	3/32	1.862 ±.015	.103 ±.003	400	0.47
568-135-B	1-15/16	2-1/8	3/32	1.925 ±.017	.103 ±.003	400	0.47
568-136-B	2	2-3/16	3/32	1.987 ±.017	.103 ±.003	400	0.50
568-137-B	2-1/16	2-1/4	3/32	2.050 ±.017	.103 ±.003	400	0.50
568-138-B	2-1/8	2-5/16	3/32	2.112 ±.017	.103 ±.003	400	0.58
568-139-B	2-3/16	2-3/8	3/32	2.175 ±.017	.103 ±.003	400	0.58
568-140-B	2-1/4	2-7/16	3/32	2.237 ±.017	.103 ±.003	400	0.58
568-141-B	2-5/16	2-1/2	3/32	2.300 ±.020	.103 ±.003	400	0.64
568-142-B	2-3/8	2-9/16	3/32	2.362 ±.020	.103 ±.003	400	0.64
568-143-B	2-7/16	2-5/8	3/32	2.425 ±.020	.103 ±.003	400	0.64
568-144-B	2-1/2	2-11/16	3/32	2.487 ±.020	.103 ±.003	400	0.71
568-145-B	2-9/16	2-3/4	3/32	2.550 ±.020	.103 ±.003	400	0.71
568-146-B	2-5/8	2-13/16	3/32	2.612 ±.020	.103 ±.003	400	0.71
568-147-B	2-11/16	2-7/8	3/32	2.675 ±.022	.103 ±.003	400	0.71

STYLE 568, BULK 70 DURO BUNA-N O-RINGS

O-RINGS

Part Number	A Nom. ID	B Nom. OD	C Nom. Ht	INSIDE DIAMETER	CROSS SECTION	Package Quantity	List Price
568-148-B	2-3/4	2-15/16	3/32	2.737 ±.022	.103 ±.003	400	0.71
568-149-B	2-13/16	3	3/32	2.800 ±.022	.103 ±.003	400	0.73
568-150-B	2-7/8	3-1/16	3/32	2.862 ±.022	.103 ±.003	400	0.73
568-151-B	3	3-3/16	3/32	2.987 ±.024	.103 ±.003	400	0.83
568-152-B	3-1/4	3-7/16	3/32	3.237 ±.024	.103 ±.003	400	1.00
568-153-B	3-1/2	3-11/16	3/32	3.487 ±.024	.103 ±.003	400	1.06
568-154-B	3-3/4	3-15/16	3/32	3.737 ±.028	.103 ±.003	400	1.06
568-155-B	4	4-3/16	3/32	3.987 ±.028	.103 ±.003	200	1.36
568-156-B	4-1/4	4-7/16	3/32	4.237 ±.030	.103 ±.003	200	1.67
568-157-B	4-1/2	4-11/16	3/32	4.487 ±.030	.103 ±.003	200	1.73
568-158-B	4-3/4	4-15/16	3/32	4.737 ±.030	.103 ±.003	200	1.77
568-159-B	5	5-3/16	3/32	4.987 ±.035	.103 ±.003	200	1.91
568-160-B	5-1/4	5-7/16	3/32	5.237 ±.035	.103 ±.003	200	2.05
568-161-B	5-1/2	5-11/16	3/32	5.487 ±.035	.103 ±.003	200	2.28
568-162-B	5-3/4	5-15/16	3/32	5.737 ±.035	.103 ±.003	200	2.70
568-163-B	6	6-3/16	3/32	5.987 ±.035	.103 ±.003	200	2.78
568-164-B	6-1/4	6-7/16	3/32	6.237 ±.040	.103 ±.003	200	3.11
568-165-B	6-1/2	6-11/16	3/32	6.487 ±.040	.103 ±.003	200	3.22
568-166-B	6-3/4	6-15/16	3/32	6.737 ±.040	.103 ±.003	200	3.22
568-167-B	7	7-3/16	3/32	6.987 ±.040	.103 ±.003	200	3.22
568-168-B	7-1/4	7-7/16	3/32	7.237 ±.045	.103 ±.003	200	3.52
568-169-B	7-1/2	7-11/16	3/32	7.487 ±.045	.103 ±.003	200	3.64
568-170-B	7-3/4	7-15/16	3/32	7.737 ±.045	.103 ±.003	200	3.75
568-171-B	8	8-3/16	3/32	7.987 ±.045	.103 ±.003	100	4.66
568-172-B	8-1/4	8-7/16	3/32	8.237 ±.050	.103 ±.003	100	4.84
568-173-B	8-1/2	8-11/16	3/32	8.487 ±.050	.103 ±.003	100	5.18
568-174-B	8-3/4	8-15/16	3/32	8.737 ±.050	.103 ±.003	100	5.71
568-175-B	9	9-3/16	3/32	8.987 ±.050	.103 ±.003	100	6.20
568-176-B	9-1/4	9-7/16	3/32	9.237 ±.055	.103 ±.003	100	6.70
568-177-B	9-1/2	9-11/16	3/32	9.487 ±.055	.103 ±.003	100	6.95
568-178-B	9-3/4	9-15/16	3/32	9.737 ±.055	.103 ±.003	100	7.25
1/8" C/S							
568-201-B	3/16	7/16	1/8	.171 ±.005	.139 ±.004	1000	\$0.09
568-202-B	1/4	1/2	1/8	.234 ±.005	.139 ±.004	1000	0.09
568-203-B	5/16	9/16	1/8	.296 ±.005	.139 ±.004	1000	0.11
568-204-B	3/8	5/8	1/8	.359 ±.005	.139 ±.004	1000	0.11
568-205-B	7/16	11/16	1/8	.421 ±.005	.139 ±.004	1000	0.11
568-206-B	1/2	3/4	1/8	.484 ±.005	.139 ±.004	1000	0.16
568-207-B	9/16	13/16	1/8	.546 ±.007	.139 ±.004	1000	0.16
568-208-B	5/8	7/8	1/8	.609 ±.009	.139 ±.004	1000	0.17
568-209-B	11/16	15/16	1/8	.671 ±.009	.139 ±.004	1000	0.17
568-210-B	3/4	1	1/8	.734 ±.010	.139 ±.004	1000	0.17
568-211-B	13/16	1-1/16	1/8	.796 ±.010	.139 ±.004	1000	0.20
568-212-B	7/8	1-1/8	1/8	.859 ±.010	.139 ±.004	1000	0.20
568-213-B	15/16	1-3/16	1/8	.921 ±.010	.139 ±.004	1000	0.20
568-214-B	1	1-1/4	1/8	.984 ±.010	.139 ±.004	1000	0.26
568-215-B	1-1/16	1-5/16	1/8	1.046 ±.010	.139 ±.004	1000	0.27
568-216-B	1-1/8	1-3/8	1/8	1.109 ±.012	.139 ±.004	1000	0.27
568-217-B	1-3/16	1-7/16	1/8	1.171 ±.012	.139 ±.004	1000	0.30
568-218-B	1-1/4	1-1/2	1/8	1.234 ±.012	.139 ±.004	1000	0.30
568-219-B	1-5/16	1-9/16	1/8	1.296 ±.012	.139 ±.004	1000	0.30
568-220-B	1-3/8	1-5/8	1/8	1.359 ±.012	.139 ±.004	400	0.34
568-221-B	1-7/16	1-11/16	1/8	1.421 ±.012	.139 ±.004	400	0.37
568-222-B	1-1/2	1-3/4	1/8	1.484 ±.015	.139 ±.004	400	0.41
568-223-B	1-5/8	1-7/8	1/8	1.609 ±.015	.139 ±.004	400	0.47
568-224-B	1-3/4	2	1/8	1.734 ±.015	.139 ±.004	400	0.50
568-225-B	1-7/8	2-1/8	1/8	1.859 ±.018	.139 ±.004	400	0.51

STYLE 568, BULK 70 DURO BUNA-N O-RINGS

O-RINGS

Part Number	A Nom. ID	B Nom. OD	C Nom. Ht	INSIDE DIAMETER	CROSS SECTION	Package Quantity	List Price
568-226-B	2	2-1/4	1/8	1.984 ±.018	.139 ±.004	400	0.63
568-227-B	2-1/8	2-3/8	1/8	2.109 ±.018	.139 ±.004	400	0.63
568-228-B	2-1/4	2-1/2	1/8	2.234 ±.020	.139 ±.004	400	0.64
568-229-B	2-3/8	2-5/8	1/8	2.359 ±.020	.139 ±.004	400	0.71
568-230-B	2-1/2	2-3/4	1/8	2.484 ±.020	.139 ±.004	400	0.78
568-231-B	2-5/8	2-7/8	1/8	2.609 ±.020	.139 ±.004	400	0.83
568-232-B	2-3/4	3	1/8	2.734 ±.024	.139 ±.004	400	0.83
568-233-B	2-7/8	3-1/8	1/8	2.859 ±.024	.139 ±.004	400	0.87
568-234-B	3	3-1/4	1/8	2.984 ±.024	.139 ±.004	400	0.91
568-235-B	3-1/8	3-3/8	1/8	3.109 ±.024	.139 ±.004	400	1.00
568-236-B	3-1/4	3-1/2	1/8	3.234 ±.024	.139 ±.004	400	1.06
568-237-B	3-3/8	3-5/8	1/8	3.359 ±.024	.139 ±.004	400	1.06
568-238-B	3-1/2	3-3/4	1/8	3.484 ±.024	.139 ±.004	400	1.10
568-239-B	3-5/8	3-7/8	1/8	3.609 ±.028	.139 ±.004	400	1.10
568-240-B	3-3/4	4	1/8	3.734 ±.028	.139 ±.004	400	1.11
568-241-B	3-7/8	4-1/8	1/8	3.859 ±.028	.139 ±.004	400	1.14
568-242-B	4	4-1/4	1/8	3.984 ±.028	.139 ±.004	200	1.24
568-243-B	4-1/8	4-3/8	1/8	4.109 ±.028	.139 ±.004	200	1.36
568-244-B	4-1/4	4-1/2	1/8	4.234 ±.030	.139 ±.004	200	1.41
568-245-B	4-3/8	4-5/8	1/8	4.359 ±.030	.139 ±.004	200	1.54
568-246-B	4-1/2	4-3/4	1/8	4.484 ±.030	.139 ±.004	200	1.77
568-247-B	4-5/8	4-7/8	1/8	4.609 ±.030	.139 ±.004	200	1.83
568-248-B	4-3/4	5	1/8	4.734 ±.030	.139 ±.004	200	1.87
568-249-B	4-7/8	5-1/8	1/8	4.859 ±.035	.139 ±.004	200	1.97
568-250-B	5	5-1/4	1/8	4.984 ±.035	.139 ±.004	200	1.97
568-251-B	5-1/8	5-3/8	1/8	5.109 ±.035	.139 ±.004	200	2.05
568-252-B	5-1/4	5-1/2	1/8	5.234 ±.035	.139 ±.004	200	2.05
568-253-B	5-3/8	5-5/8	1/8	5.359 ±.035	.139 ±.004	200	2.17
568-254-B	5-1/2	5-3/4	1/8	5.484 ±.035	.139 ±.004	200	2.38
568-255-B	5-5/8	5-7/8	1/8	5.609 ±.035	.139 ±.004	200	2.50
568-256-B	5-3/4	6	1/8	5.734 ±.035	.139 ±.004	200	2.60
568-257-B	5-7/8	6-1/8	1/8	5.859 ±.035	.139 ±.004	200	2.70
568-258-B	6	6-1/4	1/8	5.984 ±.035	.139 ±.004	200	2.78
568-259-B	6-1/4	6-1/2	1/8	6.234 ±.040	.139 ±.004	200	3.11
568-260-B	6-1/2	6-3/4	1/8	6.484 ±.040	.139 ±.004	200	3.11
568-261-B	6-3/4	7	1/8	6.734 ±.040	.139 ±.004	200	3.32
568-262-B	7	7-1/4	1/8	6.984 ±.040	.139 ±.004	200	3.41
568-263-B	7-1/4	7-1/2	1/8	7.234 ±.045	.139 ±.004	200	3.75
568-264-B	7-1/2	7-3/4	1/8	7.484 ±.045	.139 ±.004	200	3.84
568-265-B	7-3/4	8	1/8	7.734 ±.045	.139 ±.004	200	4.15
568-266-B	8	8-1/4	1/8	7.984 ±.045	.139 ±.004	100	4.24
568-267-B	8-1/4	8-1/2	1/8	8.234 ±.050	.139 ±.004	100	4.36
568-268-B	8-1/2	8-3/4	1/8	8.484 ±.050	.139 ±.004	100	4.76
568-269-B	8-3/4	9	1/8	8.734 ±.050	.139 ±.004	100	5.18
568-270-B	9	9-1/4	1/8	8.984 ±.050	.139 ±.004	100	5.18
568-271-B	9-1/4	9-1/2	1/8	9.234 ±.055	.139 ±.004	100	5.18
568-272-B	9-1/2	9-3/4	1/8	9.484 ±.055	.139 ±.004	100	5.18
568-273-B	9-3/4	10	1/8	9.734 ±.055	.139 ±.004	100	5.18
568-274-B	10	10-1/4	1/8	9.984 ±.055	.139 ±.004	100	5.18
568-275-B	10-1/2	10-3/4	1/8	10.484 ±.055	.139 ±.004	100	5.71
568-276-B	11	11-1/4	1/8	10.984 ±.065	.139 ±.004	100	6.20
568-277-B	11-1/2	11-3/4	1/8	11.484 ±.065	.139 ±.004	100	6.20
568-278-B	12	12-1/4	1/8	11.984 ±.065	.139 ±.004	100	6.70
568-279-B	13	13-1/4	1/8	12.984 ±.065	.139 ±.004	100	8.30
568-280-B	14	14-1/4	1/8	13.984 ±.065	.139 ±.004	100	10.16
568-281-B	15	15-1/4	1/8	14.984 ±.065	.139 ±.004	100	11.91
568-282-B	16	16-1/4	1/8	15.955 ±.075	.139 ±.004	100	12.95

STYLE 568, BULK 70 DURO BUNA-N O-RINGS

O-RINGS

Part Number	A Nom. ID	B Nom. OD	C Nom. Ht	INSIDE DIAMETER	CROSS SECTION	Package Quantity	List Price
568-283-B	17	17-1/4	1/8	16.955 ±.080	.139 ±.004	100	14.49
568-284-B	18	18-1/4	1/8	17.955 ±.085	.139 ±.004	100	16.57
3/16" C/S							
568-309-B	7/16	13/16	3/16	.412 ±.005	.210 ±.005	1000	\$0.26
568-310-B	1/2	7/8	3/16	.475 ±.005	.210 ±.005	1000	0.27
568-311-B	9/16	15/16	3/16	.537 ±.007	.210 ±.005	1000	0.27
568-312-B	5/8	1	3/16	.600 ±.009	.210 ±.005	1000	0.34
568-313-B	11/16	1-1/16	3/16	.662 ±.009	.210 ±.005	1000	0.34
568-314-B	3/4	1-1/8	3/16	.725 ±.010	.210 ±.005	1000	0.34
568-315-B	13/16	1-3/16	3/16	.787 ±.010	.210 ±.005	1000	0.37
568-316-B	7/8	1-1/4	3/16	.850 ±.010	.210 ±.005	1000	0.37
568-317-B	15/16	1-5/16	3/16	.912 ±.010	.210 ±.005	1000	0.37
568-318-B	1	1-3/8	3/16	.975 ±.010	.210 ±.005	1000	0.37
568-319-B	1-1/16	1-7/16	3/16	1.037 ±.010	.210 ±.005	1000	0.46
568-320-B	1-1/8	1-1/2	3/16	1.100 ±.012	.210 ±.005	1000	0.47
568-321-B	1-3/16	1-9/16	3/16	1.162 ±.012	.210 ±.005	1000	0.47
568-322-B	1-1/4	1-5/8	3/16	1.225 ±.012	.210 ±.005	1000	0.47
568-323-B	1-5/16	1-11/16	3/16	1.287 ±.012	.210 ±.005	1000	0.47
568-324-B	1-3/8	1-3/4	3/16	1.350 ±.012	.210 ±.005	400	0.47
568-325-B	1-1/2	1-7/8	3/16	1.475 ±.015	.210 ±.005	400	0.51
568-326-B	1-5/8	2	3/16	1.600 ±.015	.210 ±.005	400	0.51
568-327-B	1-3/4	2-1/8	3/16	1.725 ±.015	.210 ±.005	400	0.64
568-328-B	1-7/8	2-1/4	3/16	1.850 ±.015	.210 ±.005	400	0.71
568-329-B	2	2-3/8	3/16	1.975 ±.018	.210 ±.005	400	0.78
568-330-B	2-1/8	2-1/2	3/16	2.100 ±.018	.210 ±.005	400	0.87
568-331-B	2-1/4	2-5/8	3/16	2.225 ±.018	.210 ±.005	400	0.91
568-332-B	2-3/8	2-3/4	3/16	2.350 ±.018	.210 ±.005	400	1.06
568-333-B	2-1/2	2-7/8	3/16	2.475 ±.020	.210 ±.005	400	1.11
568-334-B	2-5/8	3	3/16	2.600 ±.020	.210 ±.005	400	1.14
568-335-B	2-3/4	3-1/8	3/16	2.725 ±.020	.210 ±.005	400	1.24
568-336-B	2-7/8	3-1/4	3/16	2.850 ±.020	.210 ±.005	400	1.36
568-337-B	3	3-3/8	3/16	2.975 ±.024	.210 ±.005	400	1.41
568-338-B	3-1/8	3-1/2	3/16	3.100 ±.024	.210 ±.005	400	1.41
568-339-B	3-1/4	3-5/8	3/16	3.225 ±.024	.210 ±.005	400	1.54
568-340-B	3-3/8	3-3/4	3/16	3.350 ±.024	.210 ±.005	400	1.67
568-341-B	3-1/2	3-7/8	3/16	3.475 ±.024	.210 ±.005	400	1.67
568-342-B	3-5/8	4	3/16	3.600 ±.028	.210 ±.005	400	1.83
568-343-B	3-3/4	4-1/8	3/16	3.725 ±.028	.210 ±.005	400	1.87
568-344-B	3-7/8	4-1/4	3/16	3.850 ±.028	.210 ±.005	400	1.87
568-345-B	4	4-3/8	3/16	3.975 ±.028	.210 ±.005	200	2.05
568-346-B	4-1/8	4-1/2	3/16	4.100 ±.028	.210 ±.005	200	2.05
568-347-B	4-1/4	4-5/8	3/16	4.225 ±.030	.210 ±.005	200	2.05
568-348-B	4-3/8	4-3/4	3/16	4.350 ±.030	.210 ±.005	200	2.05
568-349-B	4-1/2	4-7/8	3/16	4.475 ±.030	.210 ±.005	200	2.28
568-350-B	4-5/8	5	3/16	4.600 ±.030	.210 ±.005	200	2.38
568-351-B	4-3/4	5-1/8	3/16	4.725 ±.030	.210 ±.005	200	2.38
568-352-B	4-7/8	5-1/4	3/16	4.850 ±.030	.210 ±.005	200	2.50
568-353-B	5	5-3/8	3/16	4.975 ±.037	.210 ±.005	200	2.60
568-354-B	5-1/8	5-1/2	3/16	5.100 ±.037	.210 ±.005	200	2.78
568-355-B	5-1/4	5-5/8	3/16	5.225 ±.037	.210 ±.005	200	3.11
568-356-B	5-3/8	5-3/4	3/16	5.350 ±.037	.210 ±.005	200	3.11
568-357-B	5-1/2	5-7/8	3/16	5.475 ±.037	.210 ±.005	200	3.22
568-358-B	5-5/8	6	3/16	5.600 ±.037	.210 ±.005	200	3.41
568-359-B	5-3/4	6-1/8	3/16	5.725 ±.037	.210 ±.005	200	3.41
568-360-B	5-7/8	6-1/4	3/16	5.850 ±.037	.210 ±.005	200	3.64
568-361-B	6	6-3/8	3/16	5.975 ±.037	.210 ±.005	200	3.75
568-362-B	6-1/4	6-5/8	3/16	6.225 ±.040	.210 ±.005	200	3.84

STYLE 568, BULK 70 DURO BUNA-N O-RINGS

O-RINGS

Part Number	A Nom. ID	B Nom. OD	C Nom. Ht	INSIDE DIAMETER	CROSS SECTION	Package Quantity	List Price
568-363-B	6-1/2	6-7/8	3/16	6.475 ±.040	.210 ±.005	200	3.99
568-364-B	6-3/4	7-1/8	3/16	6.725 ±.040	.210 ±.005	200	4.15
568-365-B	7	7-3/8	3/16	6.975 ±.040	.210 ±.005	200	4.36
568-366-B	7-1/4	7-5/8	3/16	7.225 ±.045	.210 ±.005	200	4.36
568-367-B	7-1/2	7-7/8	3/16	7.475 ±.045	.210 ±.005	200	4.36
568-368-B	7-3/4	8-1/8	3/16	7.725 ±.045	.210 ±.005	200	4.36
568-369-B	8	8-3/8	3/16	7.975 ±.045	.210 ±.005	100	4.84
568-370-B	8-1/4	8-5/8	3/16	8.225 ±.050	.210 ±.005	100	5.38
568-371-B	8-1/2	8-7/8	3/16	8.475 ±.050	.210 ±.005	100	5.59
568-372-B	8-3/4	9-1/8	3/16	8.725 ±.050	.210 ±.005	100	5.71
568-373-B	9	9-3/8	3/16	8.975 ±.050	.210 ±.005	100	6.20
568-374-B	9-1/4	9-5/8	3/16	9.225 ±.055	.210 ±.005	100	6.33
568-375-B	9-1/2	9-7/8	3/16	9.475 ±.055	.210 ±.005	100	6.42
568-376-B	9-3/4	10-1/8	3/16	9.725 ±.055	.210 ±.005	100	6.53
568-377-B	10	10-3/8	3/16	9.975 ±.055	.210 ±.005	100	6.53
568-378-B	10-1/2	10-7/8	3/16	10.475 ±.060	.210 ±.005	100	8.30
568-379-B	11	11-3/8	3/16	10.975 ±.060	.210 ±.005	100	8.79
568-380-B	11-1/2	11-7/8	3/16	11.475 ±.065	.210 ±.005	100	9.03
568-381-B	12	12-3/8	3/16	11.975 ±.065	.210 ±.005	100	9.33
568-382-B	13	13-3/8	3/16	12.975 ±.065	.210 ±.005	100	9.33
568-383-B	14	14-3/8	3/16	13.975 ±.070	.210 ±.005	100	12.45
568-384-B	15	15-3/8	3/16	14.975 ±.070	.210 ±.005	100	12.45
568-385-B	16	16-3/8	3/16	15.955 ±.075	.210 ±.005	100	14.49
568-386-B	17	17-3/8	3/16	16.955 ±.080	.210 ±.005	100	15.55
568-387-B	18	18-3/8	3/16	17.955 ±.085	.210 ±.005	100	17.61
568-388-B	19	19-3/8	3/16	18.955 ±.090	.210 ±.005	20	18.14
568-389-B	20	20-3/8	3/16	19.955 ±.095	.210 ±.005	20	18.14
568-390-B	21	21-3/8	3/16	20.955 ±.095	.210 ±.005	20	18.14
568-391-B	22	22-3/8	3/16	21.955 ±.100	.210 ±.005	20	18.64
568-392-B	23	23-3/8	3/16	22.940 ±.105	.210 ±.005	20	18.64
568-393-B	24	24-3/8	3/16	23.940 ±.110	.210 ±.005	20	30.02
568-394-B	25	25-3/8	3/16	24.940 ±.115	.210 ±.005	20	30.04
568-395-B	26	26-3/8	3/16	25.940 ±.120	.210 ±.005	20	33.16
1/4" C/S							
568-425-B	4-1/2	5	1/4	4.475 ±.033	.275 ±.006	200	\$2.60
568-426-B	4-5/8	5-1/8	1/4	4.600 ±.033	.275 ±.006	200	2.60
568-427-B	4-3/4	5-1/4	1/4	4.725 ±.033	.275 ±.006	200	2.60
568-428-B	4-7/8	5-3/8	1/4	4.850 ±.033	.275 ±.006	200	2.78
568-429-B	5	5-1/2	1/4	4.975 ±.037	.275 ±.006	200	2.91
568-430-B	5-1/8	5-5/8	1/4	5.100 ±.037	.275 ±.006	200	2.91
568-431-B	5-1/4	5-3/4	1/4	5.225 ±.037	.275 ±.006	200	3.32
568-432-B	5-3/8	5-7/8	1/4	5.350 ±.037	.275 ±.006	200	3.37
568-433-B	5-1/2	6	1/4	5.475 ±.037	.275 ±.006	200	3.37
568-434-B	5-5/8	6-1/8	1/4	5.600 ±.037	.275 ±.006	200	3.41
568-435-B	5-3/4	6-1/4	1/4	5.725 ±.037	.275 ±.006	200	3.64
568-436-B	5-7/8	6-3/8	1/4	5.850 ±.037	.275 ±.006	200	3.64
568-437-B	6	6-1/2	1/4	5.975 ±.037	.275 ±.006	200	3.91
568-438-B	6-1/4	6-3/4	1/4	6.225 ±.040	.275 ±.006	200	4.15
568-439-B	6-1/2	7	1/4	6.475 ±.040	.275 ±.006	200	4.36
568-440-B	6-3/4	7-1/4	1/4	6.725 ±.040	.275 ±.006	200	4.66
568-441-B	7	7-1/2	1/4	6.975 ±.040	.275 ±.006	200	5.08
568-442-B	7-1/4	7-3/4	1/4	7.225 ±.045	.275 ±.006	200	5.18
568-443-B	7-1/2	8	1/4	7.475 ±.045	.275 ±.006	200	5.38
568-444-B	7-3/4	8-1/4	1/4	7.725 ±.045	.275 ±.006	200	5.71
568-445-B	8	8-1/2	1/4	7.975 ±.045	.275 ±.006	100	5.92
568-446-B	8-1/2	9	1/4	8.475 ±.055	.275 ±.006	100	6.10
568-447-B	9	9-1/2	1/4	8.975 ±.055	.275 ±.006	100	6.42

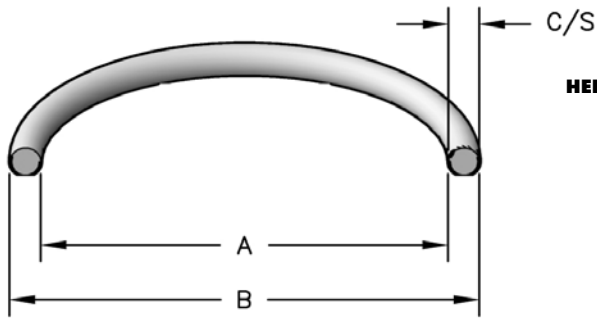
STYLE 568, BULK 70 DURO BUNA-N O-RINGS

O-RINGS

Part Number	A Nom. ID	B Nom. OD	C Nom. Ht	INSIDE DIAMETER	CROSS SECTION	Package Quantity	List Price
568-448-B	9-1/2	10	1/4	9.475 ±.055	.275 ±.006	100	6.42
568-449-B	10	10-1/2	1/4	9.975 ±.055	.275 ±.006	100	6.42
568-450-B	10-1/2	11	1/4	10.475 ±.060	.275 ±.006	100	7.79
568-451-B	11	11-1/2	1/4	10.975 ±.060	.275 ±.006	100	8.07
568-452-B	11-1/2	12	1/4	11.475 ±.060	.275 ±.006	100	8.79
568-453-B	12	12-1/2	1/4	11.975 ±.060	.275 ±.006	100	9.33
568-454-B	12-1/2	13	1/4	12.475 ±.060	.275 ±.006	100	9.84
568-455-B	13	13-1/2	1/4	12.975 ±.060	.275 ±.006	100	12.45
568-456-B	13-1/2	14	1/4	13.475 ±.070	.275 ±.006	100	12.45
568-457-B	14	14-1/2	1/4	13.975 ±.070	.275 ±.006	20	12.45
568-458-B	14-1/2	15	1/4	14.475 ±.070	.275 ±.006	20	12.45
568-459-B	15	15-1/2	1/4	14.975 ±.070	.275 ±.006	20	12.85
568-460-B	15-1/2	16	1/4	15.475 ±.070	.275 ±.006	20	13.48
568-461-B	16	16-1/2	1/4	15.955 ±.075	.275 ±.006	20	15.03
568-462-B	16-1/2	17	1/4	16.455 ±.075	.275 ±.006	20	15.55
568-463-B	17	17-1/2	1/4	16.955 ±.080	.275 ±.006	20	16.57
568-464-B	17-1/2	18	1/4	17.455 ±.085	.275 ±.006	20	17.61
568-465-B	18	18-1/2	1/4	17.955 ±.085	.275 ±.006	20	19.70
568-466-B	18-1/2	19	1/4	18.455 ±.085	.275 ±.006	20	19.70
568-467-B	19	19-1/2	1/4	18.955 ±.090	.275 ±.006	20	19.70
568-468-B	19-1/2	20	1/4	19.455 ±.090	.275 ±.006	20	20.72
568-469-B	20	20-1/2	1/4	19.955 ±.090	.275 ±.006	20	20.70
568-470-B	21	21-1/2	1/4	20.955 ±.090	.275 ±.006	20	20.88
568-471-B	22	22-1/2	1/4	21.955 ±.100	.275 ±.006	20	21.12
568-472-B	23	23-1/2	1/4	22.940 ±.105	.275 ±.006	20	21.22
568-473-B	24	24-1/2	1/4	23.940 ±.110	.275 ±.006	20	21.34
568-474-B	25	25-1/2	1/4	24.940 ±.115	.275 ±.006	20	21.58

STYLE 568C AND 580C, 70 DURO BUNA-N O-RING CORD

O-RINGS



HERCULES PART NUMBERS

568C - 062
 Prefix Nominal Cross Section



HERCULES PART NUMBERS

580C - 093
 Prefix Nominal Cross Section

SOLD BY FOOT

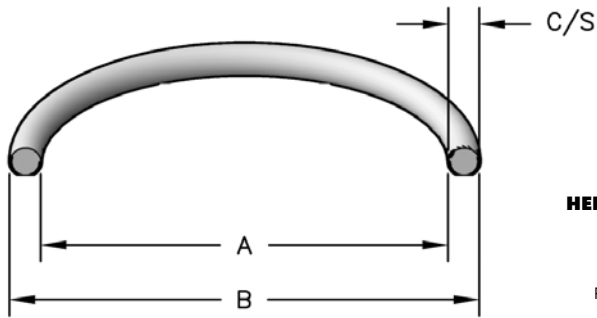
SEAL INFORMATION	
MATERIAL	BUNA-N RUBBER
TEMPERATURE RANGE	-40° TO +240° F
PRESSURE RANGE	VARIABLE ACCORDING TO DIAMETRAL CLEARANCE

Part Number	Nom. Cross Section	C HEIGHT	CROSS SECTION	List Price
568C-062	1/16		.070 ±.006	\$1.03
568C-093	3/32		.103 ±.007	1.24
568C-125	1/8		.139 ±.007	1.41
568C-187	3/16		.210 ±.008	1.78
568C-250	1/4		.275 ±.008	2.08
568C-313	5/16		.313 ±.012	2.91
568C-375	3/8		.375 ±.012	4.56
568C-437	7/16		.437 ±.012	5.05
568C-500	1/2		.500 ±.012	5.90
580C-093	3/32	.099 ±.005	.099 ±.005	1.50
580C-125	1/8	.134 ±.006	.134 ±.006	1.74
580C-187	3/16	.203 ±.007	.203 ±.007	2.13
580C-250	1/4	.266 ±.007	.266 ±.007	2.58

STYLE 568, 90 DURO BUNA-N O-RINGS



Reduced prices are available for large quantity purchases of 70 & 90 Durometer O-Rings.



SEAL INFORMATION	
MATERIAL	BUNA-N RUBBER
TEMPERATURE RANGE	-40° TO +240° F
PRESSURE RANGE	VARIES ACCORDING TO DIAMETRICAL CLEARANCE

Part Number	A Nom. ID	B Nom. OD	C Nom. Ht	INSIDE DIAMETER	CROSS SECTION	Package Quantity	List Price
1/32" C/S							
568-001-90D	1/32	3/32	1/32	.029 ±.004	.040 ±.003	50	\$0.37
3/64" C/S							
568-002-90D	3/64	9/64	3/64	.042 ±.004	.050 ±.003	50	\$0.23
1/16" C/S							
568-003-90D	1/16	3/16	1/16	.056 ±.004	.060 ±.003	50	\$0.23
568-004-90D	5/64	13/64	1/16	.070 ±.005	.070 ±.003	50	0.23
568-005-90D	3/32	7/32	1/16	.101 ±.005	.070 ±.003	50	0.17
568-006-90D	1/8	1/4	1/16	.114 ±.005	.070 ±.003	50	0.11
568-007-90D	5/32	9/32	1/16	.145 ±.005	.070 ±.003	50	0.17
568-008-90D	3/16	5/16	1/16	.176 ±.005	.070 ±.003	50	0.17
568-009-90D	7/32	11/32	1/16	.208 ±.005	.070 ±.003	50	0.17
568-010-90D	1/4	3/8	1/16	.239 ±.005	.070 ±.003	50	0.17
568-011-90D	5/16	7/16	1/16	.301 ±.005	.070 ±.003	50	0.17
568-012-90D	3/8	1/2	1/16	.364 ±.005	.070 ±.003	50	0.17
568-013-90D	7/16	9/16	1/16	.426 ±.005	.070 ±.003	50	0.19
568-014-90D	1/2	5/8	1/16	.489 ±.005	.070 ±.003	50	0.19
568-015-90D	9/16	11/16	1/16	.551 ±.007	.070 ±.003	50	0.23
568-016-90D	5/8	3/4	1/16	.614 ±.009	.070 ±.003	50	0.23
568-017-90D	11/16	13/16	1/16	.676 ±.009	.070 ±.003	50	0.26
568-018-90D	3/4	7/8	1/16	.739 ±.009	.070 ±.003	50	0.26
568-019-90D	13/16	15/16	1/16	.801 ±.009	.070 ±.003	50	0.37
568-020-90D	7/8	1	1/16	.864 ±.009	.070 ±.003	50	0.37
568-021-90D	15/16	1-1/16	1/16	.926 ±.009	.070 ±.003	50	0.43
568-022-90D	1	1-1/8	1/16	.989 ±.010	.070 ±.003	50	0.43
568-023-90D	1-1/16	1-3/16	1/16	1.051 ±.010	.070 ±.003	50	0.43
568-024-90D	1-1/8	1-1/4	1/16	1.114 ±.010	.070 ±.003	50	0.46
568-025-90D	1-3/16	1-5/16	1/16	1.176 ±.011	.070 ±.003	50	0.49
568-026-90D	1-1/4	1-3/8	1/16	1.239 ±.011	.070 ±.003	50	0.50
568-027-90D	1-5/16	1-7/16	1/16	1.301 ±.011	.070 ±.003	50	0.50
568-028-90D	1-3/8	1-1/2	1/16	1.364 ±.013	.070 ±.003	20	0.50
568-029-90D	1-1/2	1-5/8	1/16	1.489 ±.013	.070 ±.003	20	0.60
568-030-90D	1-5/8	1-3/4	1/16	1.614 ±.013	.070 ±.003	20	0.60
568-031-90D	1-3/4	1-7/8	1/16	1.739 ±.015	.070 ±.003	20	0.78
568-032-90D	1-7/8	2	1/16	1.864 ±.015	.070 ±.003	20	0.83
568-033-90D	2	2-1/8	1/16	1.989 ±.018	.070 ±.003	20	1.10
568-034-90D	2-1/8	2-1/4	1/16	2.114 ±.018	.070 ±.003	20	1.13
568-035-90D	2-1/4	2-3/8	1/16	2.239 ±.018	.070 ±.003	20	1.13
568-036-90D	2-3/8	2-1/2	1/16	2.364 ±.018	.070 ±.003	20	1.21
568-037-90D	2-1/2	2-5/8	1/16	2.489 ±.018	.070 ±.003	20	1.27
568-038-90D	2-5/8	2-3/4	1/16	2.614 ±.020	.070 ±.003	20	1.30
568-039-90D	2-3/4	2-7/8	1/16	2.739 ±.020	.070 ±.003	20	1.37

O-RINGS

STYLE 568, 90 DURO BUNA-N O-RINGS

O-RINGS

Part Number	A Nom. ID	B Nom. OD	C Nom. Ht	INSIDE DIAMETER	CROSS SECTION	Package Quantity	List Price
568-040-90D	2-7/8	3	1/16	2.864 ±.020	.070 ±.003	20	1.41
568-041-90D	3	3-1/8	1/16	2.989 ±.024	.070 ±.003	20	1.61
568-042-90D	3-1/4	3-3/8	1/16	3.239 ±.024	.070 ±.003	10	1.77
568-043-90D	3-1/2	3-5/8	1/16	3.489 ±.024	.070 ±.003	10	1.90
568-044-90D	3-3/4	3-7/8	1/16	3.739 ±.027	.070 ±.003	10	2.13
568-045-90D	4	4-1/8	1/16	3.989 ±.027	.070 ±.003	10	2.40
568-046-90D	4-1/4	4-3/8	1/16	4.239 ±.030	.070 ±.003	10	3.02
568-047-90D	4-1/2	4-5/8	1/16	4.489 ±.030	.070 ±.003	5	3.15
568-048-90D	4-3/4	4-7/8	1/16	4.739 ±.030	.070 ±.003	5	3.50
568-049-90D	5	5-1/8	1/16	4.989 ±.037	.070 ±.003	5	3.85
568-050-90D	5-1/4	5-3/8	1/16	5.239 ±.037	.070 ±.003	5	4.24
3/32" C/S							
568-102-90D	1/16	1/4	3/32	.049 ±.005	.103 ±.003	50	\$0.26
568-103-90D	3/32	9/32	3/32	.081 ±.005	.103 ±.003	50	0.23
568-104-90D	1/8	5/16	3/32	.112 ±.005	.103 ±.003	50	0.17
568-105-90D	5/32	11/32	3/32	.143 ±.005	.103 ±.003	50	0.19
568-106-90D	3/16	3/8	3/32	.174 ±.005	.103 ±.003	50	0.19
568-107-90D	7/32	13/32	3/32	.206 ±.005	.103 ±.003	50	0.19
568-108-90D	1/4	7/16	3/32	.237 ±.005	.103 ±.003	50	0.19
568-109-90D	5/16	1-2/9	3/32	.299 ±.005	.103 ±.003	50	0.19
568-110-90D	3/8	9/16	3/32	.362 ±.005	.103 ±.003	50	0.19
568-111-90D	7/16	5/8	3/32	.424 ±.005	.103 ±.003	50	0.19
568-112-90D	1/2	11/16	3/32	.487 ±.005	.103 ±.003	50	0.23
568-113-90D	9/16	3/4	3/32	.549 ±.005	.103 ±.003	50	0.23
568-114-90D	5/8	13/16	3/32	.612 ±.009	.103 ±.003	50	0.23
568-115-90D	11/16	7/8	3/32	.674 ±.009	.103 ±.003	50	0.23
568-116-90D	3/4	15/16	3/32	.737 ±.009	.103 ±.003	50	0.26
568-117-90D	13/16	1	3/32	.799 ±.010	.103 ±.003	50	0.37
568-118-90D	7/8	1-1/16	3/32	.862 ±.010	.103 ±.003	50	0.37
568-119-90D	15/16	1-1/8	3/32	.924 ±.010	.103 ±.003	50	0.43
568-120-90D	1	1-3/16	3/32	.987 ±.010	.103 ±.003	50	0.43
568-121-90D	1-1/16	1-1/4	3/32	1.049 ±.010	.103 ±.003	50	0.46
568-122-90D	1-1/8	1-5/16	3/32	1.112 ±.010	.103 ±.003	50	0.46
568-123-90D	1-3/16	1-3/8	3/32	1.174 ±.012	.103 ±.003	50	0.49
568-124-90D	1-1/4	1-7/16	3/32	1.237 ±.012	.103 ±.003	50	0.50
568-125-90D	1-5/16	1-1/2	3/32	1.299 ±.012	.103 ±.003	50	0.50
568-126-90D	1-3/8	1-9/16	3/32	1.362 ±.012	.103 ±.003	20	0.56
568-127-90D	1-7/16	1-5/8	3/32	1.424 ±.012	.103 ±.003	20	0.57
568-128-90D	1-1/2	1-11/16	3/32	1.487 ±.012	.103 ±.003	20	0.67
568-129-90D	1-9/16	1-3/4	3/32	1.549 ±.015	.103 ±.003	20	0.67
568-130-90D	1-5/8	1-13/16	3/32	1.612 ±.015	.103 ±.003	20	0.78
568-131-90D	1-11/16	1-7/8	3/32	1.674 ±.015	.103 ±.003	20	0.81
568-132-90D	1-3/4	1-15/16	3/32	1.737 ±.015	.103 ±.003	20	0.81
568-133-90D	1-13/16	2	3/32	1.799 ±.015	.103 ±.003	20	0.83
568-134-90D	1-7/8	2-1/16	3/32	1.862 ±.015	.103 ±.003	20	0.90
568-135-90D	1-15/16	2-1/8	3/32	1.925 ±.017	.103 ±.003	20	1.01
568-136-90D	2	2-3/16	3/32	1.987 ±.017	.103 ±.003	20	1.03
568-137-90D	2-1/16	2-1/4	3/32	2.050 ±.017	.103 ±.003	20	1.03
568-138-90D	2-1/8	2-5/16	3/32	2.112 ±.017	.103 ±.003	20	1.10
568-139-90D	2-3/16	2-3/8	3/32	2.175 ±.017	.103 ±.003	20	1.13
568-140-90D	2-1/4	2-7/16	3/32	2.237 ±.017	.103 ±.003	20	1.13
568-141-90D	2-5/16	2-1/2	3/32	2.300 ±.020	.103 ±.003	20	1.13
568-142-90D	2-3/8	2-9/16	3/32	2.362 ±.020	.103 ±.003	20	1.20
568-143-90D	2-7/16	2-5/8	3/32	2.425 ±.020	.103 ±.003	20	1.27
568-144-90D	2-1/2	2-11/16	3/32	2.487 ±.020	.103 ±.003	20	1.27
568-145-90D	2-9/16	2-3/4	3/32	2.550 ±.020	.103 ±.003	20	1.27
568-146-90D	2-5/8	2-13/16	3/32	2.612 ±.020	.103 ±.003	20	1.31

STYLE 568, 90 DURO BUNA-N O-RINGS

O-RINGS

Part Number	A Nom. ID	B Nom. OD	C Nom. Ht	INSIDE DIAMETER	CROSS SECTION	Package Quantity	List Price
568-147-90D	2-11/16	2-7/8	3/32	2.675 ±.022	.103 ±.003	20	1.31
568-148-90D	2-3/4	2-15/16	3/32	2.737 ±.022	.103 ±.003	20	1.31
568-149-90D	2-13/16	3	3/32	2.800 ±.022	.103 ±.003	20	1.37
568-150-90D	2-7/8	3-1/16	3/32	2.862 ±.022	.103 ±.003	20	1.51
568-151-90D	3	3-3/16	3/32	2.987 ±.024	.103 ±.003	20	1.54
568-152-90D	3-1/4	3-7/16	3/32	3.237 ±.024	.103 ±.003	10	1.85
568-153-90D	3-1/2	3-11/16	3/32	3.487 ±.024	.103 ±.003	10	1.90
568-154-90D	3-3/4	3-15/16	3/32	3.737 ±.028	.103 ±.003	10	2.28
568-155-90D	4	4-3/16	3/32	3.987 ±.028	.103 ±.003	10	2.75
568-156-90D	4-1/4	4-7/16	3/32	4.237 ±.030	.103 ±.003	10	3.08
568-157-90D	4-1/2	4-11/16	3/32	4.487 ±.030	.103 ±.003	5	3.78
568-158-90D	4-3/4	4-15/16	3/32	4.737 ±.030	.103 ±.003	5	3.85
568-159-90D	5	5-3/16	3/32	4.987 ±.035	.103 ±.003	5	4.42
568-160-90D	5-1/4	5-7/16	3/32	5.237 ±.035	.103 ±.003	5	4.66
568-161-90D	5-1/2	5-11/16	3/32	5.487 ±.035	.103 ±.003	5	5.05
568-162-90D	5-3/4	5-15/16	3/32	5.737 ±.035	.103 ±.003	5	5.18
568-163-90D	6	6-3/16	3/32	5.987 ±.035	.103 ±.003	5	5.46
568-164-90D	6-1/4	6-7/16	3/32	6.237 ±.040	.103 ±.003	5	5.69
568-165-90D	6-1/2	6-11/16	3/32	6.487 ±.040	.103 ±.003	5	5.96
568-166-90D	6-3/4	6-15/16	3/32	6.737 ±.040	.103 ±.003	5	6.32
568-167-90D	7	7-3/16	3/32	6.987 ±.040	.103 ±.003	5	6.55
568-171-90D	8	8-3/16	3/32	7.987 ±.045	.103 ±.003	1	7.76
568-173-90D	8-1/2	8-11/16	3/32	8.487 ±.050	.103 ±.003	1	8.24
568-178-90D	9-3/4	9-15/16	3/32	9.737 ±.055	.103 ±.003	1	9.27
.096" C/S							
568-0.764X0.096-90D	.764	.956	.096	.764 ±.010	.096 ±.003	1	\$3.21
1/8" C/S							
568-201-90D	3/16	7/16	1/8	.171 ±.005	.139 ±.004	50	\$0.23
568-202-90D	1/4	1/2	1/8	.234 ±.005	.139 ±.004	50	0.23
568-203-90D	5/16	9/16	1/8	.296 ±.005	.139 ±.004	50	0.23
568-204-90D	3/8	5/8	1/8	.359 ±.005	.139 ±.004	50	0.23
568-205-90D	7/16	11/16	1/8	.421 ±.005	.139 ±.004	50	0.23
568-206-90D	1/2	3/4	1/8	.484 ±.005	.139 ±.004	50	0.37
568-207-90D	9/16	13/16	1/8	.546 ±.007	.139 ±.004	50	0.37
568-208-90D	5/8	7/8	1/8	.609 ±.009	.139 ±.004	50	0.43
568-209-90D	11/16	15/16	1/8	.671 ±.009	.139 ±.004	50	0.43
568-210-90D	3/4	1	1/8	.734 ±.010	.139 ±.004	50	0.46
568-211-90D	13/16	1-1/16	1/8	.796 ±.010	.139 ±.004	50	0.46
568-212-90D	7/8	1-1/8	1/8	.859 ±.010	.139 ±.004	50	0.49
568-213-90D	15/16	1-3/16	1/8	.921 ±.010	.139 ±.004	50	0.50
568-214-90D	1	1-1/4	1/8	.984 ±.010	.139 ±.004	50	0.50
568-215-90D	1-1/16	1-5/16	1/8	1.046 ±.010	.139 ±.004	50	0.57
568-216-90D	1-1/8	1-3/8	1/8	1.109 ±.012	.139 ±.004	50	0.57
568-217-90D	1-3/16	1-7/16	1/8	1.171 ±.012	.139 ±.004	50	0.60
568-218-90D	1-1/4	1-1/2	1/8	1.234 ±.012	.139 ±.004	20	0.67
568-219-90D	1-5/16	1-9/16	1/8	1.296 ±.012	.139 ±.004	20	0.70
568-220-90D	1-3/8	1-5/8	1/8	1.359 ±.012	.139 ±.004	20	0.78
568-221-90D	1-7/16	1-11/16	1/8	1.421 ±.012	.139 ±.004	20	0.78
568-222-90D	1-1/2	1-3/4	1/8	1.484 ±.015	.139 ±.004	20	0.87
568-223-90D	1-5/8	1-7/8	1/8	1.609 ±.015	.139 ±.004	20	1.01
568-224-90D	1-3/4	2	1/8	1.734 ±.015	.139 ±.004	20	1.07
568-225-90D	1-7/8	2-1/8	1/8	1.859 ±.018	.139 ±.004	20	1.10
568-226-90D	2	2-1/4	1/8	1.984 ±.018	.139 ±.004	20	1.13
568-227-90D	2-1/8	2-3/8	1/8	2.109 ±.018	.139 ±.004	20	1.27
568-228-90D	2-1/4	2-1/2	1/8	2.234 ±.020	.139 ±.004	20	1.31
568-229-90D	2-3/8	2-5/8	1/8	2.359 ±.020	.139 ±.004	20	1.37
568-230-90D	2-1/2	2-3/4	1/8	2.484 ±.020	.139 ±.004	20	1.45

STYLE 568, 90 DURO BUNA-N O-RINGS

O-RINGS

Part Number	A Nom. ID	B Nom. OD	C Nom. Ht	INSIDE DIAMETER	CROSS SECTION	Package Quantity	List Price
568-231-90D	2-5/8	2-7/8	1/8	2.609 ±.020	.139 ±.004	20	1.51
568-232-90D	2-3/4	3	1/8	2.734 ±.024	.139 ±.004	10	1.70
568-233-90D	2-7/8	3-1/8	1/8	2.859 ±.024	.139 ±.004	10	1.73
568-234-90D	3	3-1/4	1/8	2.984 ±.024	.139 ±.004	10	1.73
568-235-90D	3-1/8	3-3/8	1/8	3.109 ±.024	.139 ±.004	10	1.97
568-236-90D	3-1/4	3-1/2	1/8	3.234 ±.024	.139 ±.004	10	2.03
568-237-90D	3-3/8	3-5/8	1/8	3.359 ±.024	.139 ±.004	10	2.10
568-238-90D	3-1/2	3-3/4	1/8	3.484 ±.024	.139 ±.004	10	2.13
568-239-90D	3-5/8	3-7/8	1/8	3.609 ±.028	.139 ±.004	10	2.34
568-240-90D	3-3/4	4	1/8	3.734 ±.028	.139 ±.004	10	2.34
568-241-90D	3-7/8	4-1/8	1/8	3.859 ±.028	.139 ±.004	10	2.40
568-242-90D	4	4-1/4	1/8	3.984 ±.028	.139 ±.004	10	2.48
568-243-90D	4-1/8	4-3/8	1/8	4.109 ±.028	.139 ±.004	10	2.64
568-244-90D	4-1/4	4-1/2	1/8	4.234 ±.030	.139 ±.004	10	2.75
568-245-90D	4-3/8	4-5/8	1/8	4.359 ±.030	.139 ±.004	10	3.08
568-246-90D	4-1/2	4-3/4	1/8	4.484 ±.030	.139 ±.004	5	3.58
568-247-90D	4-5/8	4-7/8	1/8	4.609 ±.030	.139 ±.004	5	3.78
568-248-90D	4-3/4	5	1/8	4.734 ±.030	.139 ±.004	5	3.79
568-249-90D	4-7/8	5-1/8	1/8	4.859 ±.035	.139 ±.004	5	3.79
568-250-90D	5	5-1/4	1/8	4.984 ±.035	.139 ±.004	5	3.97
568-251-90D	5-1/8	5-3/8	1/8	5.109 ±.035	.139 ±.004	5	4.01
568-252-90D	5-1/4	5-1/2	1/8	5.234 ±.035	.139 ±.004	5	4.44
568-253-90D	5-3/8	5-5/8	1/8	5.359 ±.035	.139 ±.004	5	4.66
568-254-90D	5-1/2	5-3/4	1/8	5.484 ±.035	.139 ±.004	5	5.05
568-255-90D	5-5/8	5-7/8	1/8	5.609 ±.035	.139 ±.004	5	5.06
568-256-90D	5-3/4	6	1/8	5.734 ±.035	.139 ±.004	5	5.43
568-257-90D	5-7/8	6-1/8	1/8	5.859 ±.035	.139 ±.004	5	6.23
568-258-90D	6	6-1/4	1/8	5.984 ±.035	.139 ±.004	5	6.32
568-259-90D	6-1/4	6-1/2	1/8	6.234 ±.040	.139 ±.004	5	6.45
568-260-90D	6-1/2	6-3/4	1/8	6.484 ±.040	.139 ±.004	1	6.75
568-261-90D	6-3/4	7	1/8	6.734 ±.040	.139 ±.004	1	6.96
568-262-90D	7	7-1/4	1/8	6.984 ±.040	.139 ±.004	1	7.64
568-263-90D	7-1/4	7-1/2	1/8	7.234 ±.045	.139 ±.004	1	8.24
568-264-90D	7-1/2	7-3/4	1/8	7.484 ±.045	.139 ±.004	1	8.74
568-265-90D	7-3/4	8	1/8	7.734 ±.045	.139 ±.004	1	9.20
568-266-90D	8	8-1/4	1/8	7.984 ±.045	.139 ±.004	1	9.41
568-267-90D	8-1/4	8-1/2	1/8	8.234 ±.050	.139 ±.004	1	10.65
568-268-90D	8-1/2	8-3/4	1/8	8.484 ±.050	.139 ±.004	1	10.95
568-269-90D	8-3/4	9	1/8	8.734 ±.050	.139 ±.004	1	11.61
568-270-90D	9	9-1/4	1/8	8.984 ±.050	.139 ±.004	1	12.18
568-271-90D	9-1/4	9-1/2	1/8	9.234 ±.055	.139 ±.004	1	12.74
568-272-90D	9-1/2	9-3/4	1/8	9.484 ±.055	.139 ±.004	1	13.22
568-273-90D	9-3/4	10	1/8	9.734 ±.055	.139 ±.004	1	13.64
568-274-90D	10	10-1/4	1/8	9.984 ±.055	.139 ±.004	1	14.06
568-275-90D	10-1/2	10-3/4	1/8	10.484 ±.055	.139 ±.004	1	13.79
568-276-90D	11	11-1/4	1/8	10.984 ±.065	.139 ±.004	1	13.91
568-277-90D	11-1/2	11-3/4	1/8	11.484 ±.065	.139 ±.004	1	14.18
568-278-90D	12	12-1/4	1/8	11.984 ±.065	.139 ±.004	1	14.33
568-279-90D	13	13-1/4	1/8	12.984 ±.065	.139 ±.004	1	14.62
568-280-90D	14	14-1/4	1/8	13.984 ±.065	.139 ±.004	1	14.79
568-281-90D	15	15-1/4	1/8	14.984 ±.065	.139 ±.004	1	15.00
568-282-90D	16	16-1/4	1/8	15.955 ±.075	.139 ±.004	1	15.43
568-283-90D	17	17-1/4	1/8	16.955 ±.080	.139 ±.004	1	35.69
568-284-90D	18	18-1/4	1/8	17.955 ±.085	.139 ±.004	1	15.85
3/16" C/S							
568-310-90D	1/2	7/8	3/16	.475 ±.005	.210 ±.005	50	\$0.56
568-312-90D	5/8	1	3/16	.600 ±.009	.210 ±.005	50	0.60

STYLE 568, 90 DURO BUNA-N O-RINGS

O-RINGS

Part Number	A Nom. ID	B Nom. OD	C Nom. Ht	INSIDE DIAMETER	CROSS SECTION	Package Quantity	List Price
568-313-90D	11/16	1-1/16	3/16	.662 ±.009	.210 ±.005	20	0.67
568-315-90D	13/16	1-3/16	3/16	.787 ±.010	.210 ±.005	20	0.70
568-316-90D	7/8	1-1/4	3/16	.850 ±.010	.210 ±.005	20	0.78
568-317-90D	15/16	1-5/16	3/16	.912 ±.010	.210 ±.005	20	0.78
568-318-90D	1	1-3/8	3/16	.975 ±.010	.210 ±.005	20	0.81
568-319-90D	1-1/16	1-7/16	3/16	1.037 ±.010	.210 ±.005	20	0.83
568-320-90D	1-1/8	1-1/2	3/16	1.100 ±.012	.210 ±.005	20	0.87
568-321-90D	1-3/16	1-9/16	3/16	1.162 ±.012	.210 ±.005	20	1.03
568-322-90D	1-1/4	1-5/8	3/16	1.225 ±.012	.210 ±.005	20	1.03
568-323-90D	1-5/16	1-11/16	3/16	1.287 ±.012	.210 ±.005	20	1.13
568-324-90D	1-3/8	1-3/4	3/16	1.350 ±.012	.210 ±.005	20	1.13
568-325-90D	1-1/2	1-7/8	3/16	1.475 ±.015	.210 ±.005	20	1.13
568-326-90D	1-5/8	2	3/16	1.600 ±.015	.210 ±.005	20	1.13
568-327-90D	1-3/4	2-1/8	3/16	1.725 ±.015	.210 ±.005	20	1.20
568-328-90D	1-7/8	2-1/4	3/16	1.850 ±.015	.210 ±.005	20	1.27
568-329-90D	2	2-3/8	3/16	1.975 ±.018	.210 ±.005	20	1.51
568-330-90D	2-1/8	2-1/2	3/16	2.100 ±.018	.210 ±.005	20	1.61
568-331-90D	2-1/4	2-5/8	3/16	2.225 ±.018	.210 ±.005	10	1.70
568-332-90D	2-3/8	2-3/4	3/16	2.350 ±.018	.210 ±.005	10	1.84
568-333-90D	2-1/2	2-7/8	3/16	2.475 ±.020	.210 ±.005	10	2.03
568-334-90D	2-5/8	3	3/16	2.600 ±.020	.210 ±.005	10	2.10
568-335-90D	2-3/4	3-1/8	3/16	2.725 ±.020	.210 ±.005	10	2.30
568-336-90D	2-7/8	3-1/4	3/16	2.850 ±.020	.210 ±.005	10	10.53
568-337-90D	3	3-3/8	3/16	2.975 ±.024	.210 ±.005	10	2.48
568-338-90D	3-1/8	3-1/2	3/16	3.100 ±.024	.210 ±.005	10	2.72
568-339-90D	3-1/4	3-5/8	3/16	3.225 ±.024	.210 ±.005	10	2.88
568-340-90D	3-3/8	3-3/4	3/16	3.350 ±.024	.210 ±.005	10	2.95
568-341-90D	3-1/2	3-7/8	3/16	3.475 ±.024	.210 ±.005	10	3.11
568-342-90D	3-5/8	4	3/16	3.600 ±.028	.210 ±.005	10	3.27
568-343-90D	3-3/4	4-1/8	3/16	3.725 ±.028	.210 ±.005	10	3.31
568-344-90D	3-7/8	4-1/4	3/16	3.850 ±.028	.210 ±.005	5	3.35
568-345-90D	4	4-3/8	3/16	3.975 ±.028	.210 ±.005	5	3.52
568-346-90D	4-1/8	4-1/2	3/16	4.100 ±.028	.210 ±.005	5	3.54
568-347-90D	4-1/4	4-5/8	3/16	4.225 ±.030	.210 ±.005	5	3.84
568-348-90D	4-3/8	4-3/4	3/16	4.350 ±.030	.210 ±.005	5	4.24
568-349-90D	4-1/2	4-7/8	3/16	4.475 ±.030	.210 ±.005	5	4.26
568-350-90D	4-5/8	5	3/16	4.600 ±.030	.210 ±.005	5	4.42
568-351-90D	4-3/4	5-1/8	3/16	4.725 ±.030	.210 ±.005	5	4.66
568-352-90D	4-7/8	5-1/4	3/16	4.850 ±.030	.210 ±.005	5	4.79
568-353-90D	5	5-3/8	3/16	4.975 ±.037	.210 ±.005	5	5.03
568-354-90D	5-1/8	5-1/2	3/16	5.100 ±.037	.210 ±.005	5	5.06
568-355-90D	5-1/4	5-5/8	3/16	5.225 ±.037	.210 ±.005	5	5.48
568-356-90D	5-3/8	5-3/4	3/16	5.350 ±.037	.210 ±.005	5	5.86
568-357-90D	5-1/2	5-7/8	3/16	5.475 ±.037	.210 ±.005	5	5.89
568-358-90D	5-5/8	6	3/16	5.600 ±.037	.210 ±.005	5	6.35
568-359-90D	5-3/4	6-1/8	3/16	5.725 ±.037	.210 ±.005	5	6.42
568-360-90D	5-7/8	6-1/4	3/16	5.850 ±.037	.210 ±.005	5	6.55
568-361-90D	6	6-3/8	3/16	5.975 ±.037	.210 ±.005	1	6.77
568-362-90D	6-1/4	6-5/8	3/16	6.225 ±.040	.210 ±.005	1	6.92
568-363-90D	6-1/2	6-7/8	3/16	6.475 ±.040	.210 ±.005	1	7.17
568-364-90D	6-3/4	7-1/8	3/16	6.725 ±.040	.210 ±.005	1	7.42
568-365-90D	7	7-3/8	3/16	6.975 ±.040	.210 ±.005	1	8.56
568-366-90D	7-1/4	7-5/8	3/16	7.225 ±.045	.210 ±.005	1	8.63
568-367-90D	7-1/2	7-7/8	3/16	7.475 ±.045	.210 ±.005	1	8.66
568-368-90D	7-3/4	8-1/8	3/16	7.725 ±.045	.210 ±.005	1	9.27
568-368.5-90D	7-7/8	8-1/4	3/16	7.850 ±.045	.210 ±.005	1	9.14
568-369-90D	8	8-3/8	3/16	7.975 ±.045	.210 ±.005	1	10.21

STYLE 568, 90 DURO BUNA-N O-RINGS

O-RINGS

Part Number	A Nom. ID	B Nom. OD	C Nom. Ht	INSIDE DIAMETER	CROSS SECTION	Package Quantity	List Price
568-370-90D	8-1/4	8-5/8	3/16	8.225 ±.050	.210 ±.005	1	10.34
568-371-90D	8-1/2	8-7/8	3/16	8.475 ±.050	.210 ±.005	1	10.47
568-372-90D	8-3/4	9-1/8	3/16	8.725 ±.050	.210 ±.005	1	10.65
568-373-90D	9	9-3/8	3/16	8.975 ±.050	.210 ±.005	1	11.11
568-374-90D	9-1/4	9-5/8	3/16	9.225 ±.055	.210 ±.005	1	11.48
568-375-90D	9-1/2	9-7/8	3/16	9.475 ±.055	.210 ±.005	1	11.87
568-376-90D	9-3/4	10-1/8	3/16	9.725 ±.055	.210 ±.005	1	12.99
568-377-90D	10	10-3/8	3/16	9.975 ±.055	.210 ±.005	1	13.41
568-378-90D	10-1/2	10-7/8	3/16	10.475 ±.060	.210 ±.005	1	14.65
568-379-90D	11	11-3/8	3/16	10.975 ±.060	.210 ±.005	1	15.50
568-380-90D	11-1/2	11-7/8	3/16	11.475 ±.065	.210 ±.005	1	15.70
568-381-90D	12	12-3/8	3/16	11.975 ±.065	.210 ±.005	1	16.52
568-382-90D	13	13-3/8	3/16	12.975 ±.065	.210 ±.005	1	16.90
568-383-90D	14	14-3/8	3/16	13.975 ±.070	.210 ±.005	1	17.42
568-384-90D	15	15-3/8	3/16	14.975 ±.070	.210 ±.005	1	17.61
568-385-90D	16	16-3/8	3/16	15.955 ±.075	.210 ±.005	1	18.09
1/4" C/S							
568-401-90D	1-1/2	2	1/4	1.475 ±.014	.275 ±.006	5	\$1.77
568-402-90D	1-5/8	2-1/8	1/4	1.600 ±.015	.275 ±.006	5	1.88
568-403-90D	1-3/4	2-1/4	1/4	1.725 ±.016	.275 ±.006	5	2.14
568-404-90D	1-7/8	2-3/8	1/4	1.850 ±.016	.275 ±.006	5	2.30
568-405-90D	2	2-1/2	1/4	1.975 ±.017	.275 ±.006	5	2.41
568-406-90D	2-1/8	2-5/8	1/4	2.100 ±.018	.275 ±.006	5	2.51
568-407-90D	2-1/4	2-3/4	1/4	2.225 ±.018	.275 ±.006	5	2.51
568-408-90D	2-3/8	2-7/8	1/4	2.350 ±.020	.275 ±.006	5	2.71
568-409-90D	2-1/2	3	1/4	2.475 ±.020	.275 ±.006	5	2.98
568-410-90D	2-5/8	3-1/8	1/4	2.600 ±.020	.275 ±.006	5	3.04
568-411-90D	2-3/4	3-1/4	1/4	2.725 ±.022	.275 ±.006	5	3.15
568-412-90D	2-7/8	3-3/8	1/4	2.850 ±.022	.275 ±.006	5	3.31
568-413-90D	3	3-1/2	1/4	2.975 ±.024	.275 ±.006	5	3.35
568-414-90D	3-1/8	3-5/8	1/4	3.100 ±.024	.275 ±.006	5	3.59
568-415-90D	3-1/4	3-3/4	1/4	3.225 ±.024	.275 ±.006	5	3.78
568-416-90D	3-3/8	3-7/8	1/4	3.350 ±.026	.275 ±.006	5	3.85
568-417-90D	3-1/2	4	1/4	3.475 ±.026	.275 ±.006	5	3.97
568-418-90D	3-5/8	4-1/8	1/4	3.600 ±.026	.275 ±.006	5	4.09
568-419-90D	3-3/4	4-1/4	1/4	3.725 ±.028	.275 ±.006	5	4.18
568-420-90D	3-7/8	4-3/8	1/4	3.850 ±.028	.275 ±.006	5	4.81
568-421-90D	4	4-1/2	1/4	3.975 ±.028	.275 ±.006	5	4.89
568-422-90D	4-1/8	4-5/8	1/4	4.100 ±.030	.275 ±.006	5	5.05
568-423-90D	4-1/4	4-3/4	1/4	4.225 ±.030	.275 ±.006	5	5.11
568-424-90D	4-3/8	4-7/8	1/4	4.350 ±.030	.275 ±.006	5	5.15
568-425-90D	4-1/2	5	1/4	4.475 ±.033	.275 ±.006	5	5.16
568-426-90D	4-5/8	5-1/8	1/4	4.600 ±.033	.275 ±.006	5	5.29
568-427-90D	4-3/4	5-1/4	1/4	4.725 ±.033	.275 ±.006	5	5.42
568-428-90D	4-7/8	5-3/8	1/4	4.850 ±.033	.275 ±.006	5	5.59
568-429-90D	5	5-1/2	1/4	4.975 ±.037	.275 ±.006	5	5.69
568-430-90D	5-1/8	5-5/8	1/4	5.100 ±.037	.275 ±.006	5	5.88
568-431-90D	5-1/4	5-3/4	1/4	5.225 ±.037	.275 ±.006	5	5.89
568-432-90D	5-3/8	5-7/8	1/4	5.350 ±.037	.275 ±.006	5	6.32
568-433-90D	5-1/2	6	1/4	5.475 ±.037	.275 ±.006	5	6.38
568-434-90D	5-5/8	6-1/8	1/4	5.600 ±.037	.275 ±.006	5	6.55
568-435-90D	5-3/4	6-1/4	1/4	5.725 ±.037	.275 ±.006	1	6.63
568-436-90D	5-7/8	6-3/8	1/4	5.850 ±.037	.275 ±.006	1	6.86
568-437-90D	6	6-1/2	1/4	5.975 ±.037	.275 ±.006	1	7.57
568-438-90D	6-1/4	6-3/4	1/4	6.225 ±.040	.275 ±.006	1	7.76
568-439-90D	6-1/2	7	1/4	6.475 ±.040	.275 ±.006	1	8.12
568-440-90D	6-3/4	7-1/4	1/4	6.725 ±.040	.275 ±.006	1	8.19

STYLE 568, 90 DURO BUNA-N O-RINGS

O-RINGS

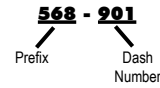
Part Number	A Nom. ID	B Nom. OD	C Nom. Ht	INSIDE DIAMETER	CROSS SECTION	Package Quantity	List Price
568-441-90D	7	7-1/2	1/4	6.975 ±.040	.275 ±.006	1	8.94
568-442-90D	7-1/4	7-3/4	1/4	7.225 ±.045	.275 ±.006	1	9.41
568-443-90D	7-1/2	8	1/4	7.475 ±.045	.275 ±.006	1	10.04
568-444-90D	7-3/4	8-1/4	1/4	7.725 ±.045	.275 ±.006	1	10.44
568-445-90D	8	8-1/2	1/4	7.975 ±.045	.275 ±.006	1	10.95
568-446-90D	8-1/2	9	1/4	8.475 ±.055	.275 ±.006	1	11.41
568-447-90D	9	9-1/2	1/4	8.975 ±.055	.275 ±.006	1	11.68
568-448-90D	9-1/2	10	1/4	9.475 ±.055	.275 ±.006	1	11.97
568-449-90D	10	10-1/2	1/4	9.975 ±.055	.275 ±.006	1	13.82
568-450-90D	10-1/2	11	1/4	10.475 ±.060	.275 ±.006	1	16.80
568-451-90D	11	11-1/2	1/4	10.975 ±.060	.275 ±.006	1	18.04
568-452-90D	11-1/2	12	1/4	11.475 ±.060	.275 ±.006	1	23.63
568-453-90D	12	12-1/2	1/4	11.975 ±.060	.275 ±.006	1	24.48
568-454-90D	12-1/2	13	1/4	12.475 ±.060	.275 ±.006	1	33.12
568-455-90D	13	13-1/2	1/4	12.975 ±.060	.275 ±.006	1	25.70
568-456-90D	13-1/2	14	1/4	13.475 ±.070	.275 ±.006	1	25.17
568-457-90D	14	14-1/2	1/4	13.975 ±.070	.275 ±.006	1	25.62
568-458-90D	14-1/2	15	1/4	14.475 ±.070	.275 ±.006	1	26.04
568-459-90D	15	15-1/2	1/4	14.975 ±.070	.275 ±.006	1	26.29
568-460-90D	15-1/2	16	1/4	15.475 ±.070	.275 ±.006	1	26.93
568-461-90D	16	16-1/2	1/4	15.955 ±.075	.275 ±.006	1	30.87
568-462-90D	16-1/2	17	1/4	16.455 ±.075	.275 ±.006	1	31.21
568-463-90D	17	17-1/2	1/4	16.955 ±.080	.275 ±.006	1	31.72
568-464-90D	17-1/2	18	1/4	17.455 ±.085	.275 ±.006	1	32.15
568-466-90D	18-1/2	19	1/4	18.455 ±.085	.275 ±.006	1	34.82
568-468-90D	19-1/2	20	1/4	19.455 ±.090	.275 ±.006	1	37.65
568-469-90D	20	20-1/2	1/4	19.955 ±.090	.275 ±.006	1	39.01
568-471-90D	22	22-1/2	1/4	21.955 ±.100	.275 ±.006	1	43.33
568-473-90D	24	24-1/2	1/4	23.940 ±.110	.275 ±.006	1	57.07

STYLE 568, 90 DURO BUNA-N O-RING BOSS GASKETS FOR STRAIGHT THREAD FITTINGS

AS-568A UNIVERSAL SERIES DASH NO.	TUBE SIZE (OD) INCHES	ACTUAL SIZE	
		ID	W.
-901	3/32	.185 ±.005	.056 ±.003
-902	1/8	.239 ±.005	.064 ±.003
-903	3/16	.301 ±.005	.064 ±.003
-904	1/4	.351 ±.005	.072 ±.003
-905	5/16	.414 ±.005	.072 ±.003
-906	3/8	.468 ±.005	.078 ±.003
-907	7/16	.530 ±.005	.082 ±.003
-908	1/2	.644 ±.009	.087 ±.003
-909	9/16	.706 ±.009	.097 ±.003
-910	5/8	.755 ±.009	.097 ±.003
-911	11/16	.863 ±.009	.116 ±.004
-912	3/4	.924 ±.009	.116 ±.004
-913	13/16	.986 ±.010	.116 ±.004
-914	7/8	1.047 ±.010	.116 ±.004
-916	1	1.171 ±.010	.116 ±.004
-918	1-1/8	1.355 ±.012	.116 ±.004
-920	1-1/4	1.475 ±.012	.118 ±.004
-924	1-1/2	1.720 ±.014	.118 ±.004
-928	1-3/4	2.090 ±.018	.118 ±.004
-932	2	2.337 ±.018	.118 ±.004

SEAL INFORMATION	
MATERIAL	90 DUROMETER BUNA-N RUBBER
TEMPERATURE RANGE	-40° TO +240° F

HERCULES PART NUMBERS

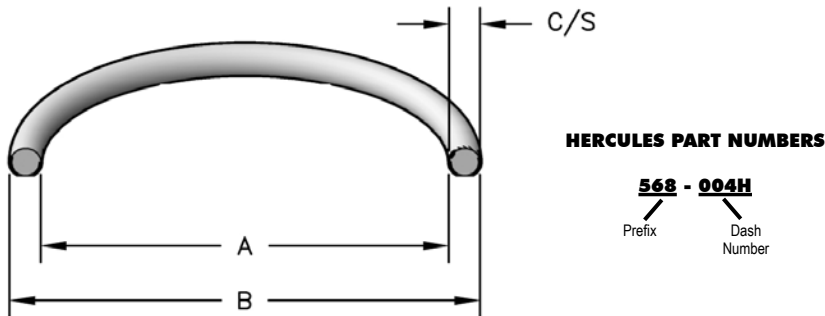


O-RINGS

Part Number	INSIDE DIAMETER	CROSS SECTION	Package Quantity	List Price
568-901	.185 ±.005	.056 ±.003	50	\$0.26
568-902	.239 ±.005	.064 ±.003	50	0.26
568-903	.301 ±.005	.064 ±.003	50	0.26
568-903-70D	.301 ±.005	.064 ±.003	29	0.13
568-904	.351 ±.005	.072 ±.003	50	0.37
568-905	.414 ±.005	.072 ±.003	50	0.37
568-906	.468 ±.005	.078 ±.003	50	0.37
568-907	.530 ±.005	.082 ±.003	50	0.37
568-908	.644 ±.009	.087 ±.003	50	0.41
568-909	.706 ±.009	.097 ±.003	50	0.41
568-910	.755 ±.009	.097 ±.003	50	0.43
568-911	.863 ±.009	.116 ±.004	50	0.47
568-911-70D	.863 ±.009	.116 ±.004	20	0.26
568-912	.924 ±.009	.116 ±.004	50	0.54
568-913	.986 ±.010	.116 ±.004	20	0.57
568-914	1.047 ±.010	.116 ±.004	20	0.63
568-916	1.171 ±.010	.116 ±.004	20	0.68
568-918	1.355 ±.012	.116 ±.004	20	0.80
568-918-70D	1.355 ±.012	.116 ±.004	10	0.54
568-920	1.475 ±.012	.118 ±.004	20	0.87
568-924	1.720 ±.014	.118 ±.004	10	1.27
568-928	2.090 ±.018	.118 ±.004	10	1.53
568-928-70D	2.090 ±.018	.118 ±.004	9	0.93
568-932	2.337 ±.018	.118 ±.004	10	1.68
568-932-70D	2.337 ±.018	.118 ±.004	8	1.00

STYLE 568, 70 DURO HNBR O-RINGS

Hydrogenated Nitrile Rubber (HNBR), also known as Highly Saturated Nitrile (HSN), is a compound with superior heat, ozone, chemical resistance, tensile strength and abrasion resistance over natural rubber. HNBR provides excellent service life in most sealing applications such as oilfield, automotive and refrigerants.



SEAL INFORMATION	
MATERIAL	HIGHLY SATURATED NITRILE
TEMPERATURE RANGE	-40° TO +300° F
PRESSURE RANGE	VARIABLE ACCORDING TO DIAMETRAL CLEARANCE

Part Number	A Nom. ID	B Nom. OD	C Nom. Ht	O-RING DASH NUMBER	INSIDE DIAMETER	CROSS SECTION	Package Quantity	List Price
1/16" C/S								
568-004H	5/64	13/64	1/16	-004	.070 ±.005	.070 ±.003	50	\$5.76
568-005H	3/32	7/32	1/16	-005	.101 ±.005	.070 ±.003	50	0.06
568-006H	1/8	1/4	1/16	-006	.114 ±.005	.070 ±.003	50	0.06
568-007H	5/32	9/32	1/16	-007	.145 ±.005	.070 ±.003	50	0.07
568-008H	3/16	5/16	1/16	-008	.176 ±.005	.070 ±.003	50	0.07
568-009H	7/32	11/32	1/16	-009	.208 ±.005	.070 ±.003	50	0.16
568-010H	1/4	3/8	1/16	-010	.239 ±.005	.070 ±.003	50	0.09
568-011H	5/16	7/16	1/16	-011	.301 ±.005	.070 ±.003	50	0.11
568-012H	3/8	1/2	1/16	-012	.364 ±.005	.070 ±.003	50	0.13
568-013H	7/16	9/16	1/16	-013	.426 ±.005	.070 ±.003	50	0.13
568-014H	1/2	5/8	1/16	-014	.489 ±.005	.070 ±.003	50	0.16
568-015H	9/16	11/16	1/16	-015	.551 ±.007	.070 ±.003	50	0.19
568-016H	5/8	3/4	1/16	-016	.614 ±.009	.070 ±.003	50	0.20
568-017H	11/16	13/16	1/16	-017	.676 ±.009	.070 ±.003	50	0.21
568-018H	3/4	7/8	1/16	-018	.739 ±.009	.070 ±.003	50	0.26
568-019H	13/16	15/16	1/16	-019	.801 ±.009	.070 ±.003	50	0.27
568-020H	7/8	1	1/16	-020	.864 ±.009	.070 ±.003	50	0.30
568-021H	15/16	1-1/16	1/16	-021	.926 ±.009	.070 ±.003	50	0.36
568-022H	1	1-1/8	1/16	-022	.989 ±.010	.070 ±.003	50	1.30
568-023H	1-1/16	1-3/16	1/16	-023	1.051 ±.010	.070 ±.003	50	0.39
568-024H	1-1/8	1-1/4	1/16	-024	1.114 ±.010	.070 ±.003	50	0.43
568-025H	1-3/16	1-5/16	1/16	-025	1.176 ±.011	.070 ±.003	50	0.50
568-026H	1-1/4	1-3/8	1/16	-026	1.239 ±.011	.070 ±.003	50	0.50
568-027H	1-5/16	1-7/16	1/16	-027	1.301 ±.011	.070 ±.003	50	0.50
568-028H	1-3/8	1-1/2	1/16	-028	1.364 ±.013	.070 ±.003	20	0.57
568-031H	1-3/4	1-7/8	1/16	-031	1.739 ±.015	.070 ±.003	20	0.67
568-033H	2	2-1/8	1/16	-033	1.989 ±.018	.070 ±.003	10	1.00
568-037H	2-1/2	2-5/8	1/16	-037	2.489 ±.018	.070 ±.003	10	1.16
568-046H	4-1/4	4-3/8	1/16	-046	4.239 ±.030	.070 ±.003	5	2.20
3/32" C/S								
568-106H	3/16	3/8	3/32	-106	.174 ±.005	.103 ±.003	50	\$3.13
568-108H	1/4	7/16	3/32	-108	.237 ±.005	.103 ±.003	50	0.19
568-110H	3/8	9/16	3/32	-110	.362 ±.005	.103 ±.003	50	0.21
568-111H	7/16	5/8	3/32	-111	.424 ±.005	.103 ±.003	50	0.26
568-112H	1/2	11/16	3/32	-112	.487 ±.005	.103 ±.003	50	0.27
568-113H	9/16	3/4	3/32	-113	.549 ±.005	.103 ±.003	50	0.34
568-114H	5/8	13/16	3/32	-114	.612 ±.009	.103 ±.003	50	0.34
568-115H	11/16	7/8	3/32	-115	.674 ±.009	.103 ±.003	25	0.37
568-116H	3/4	15/16	3/32	-116	.737 ±.009	.103 ±.003	25	0.41
568-117H	13/16	1	3/32	-117	.799 ±.010	.103 ±.003	25	0.43

O-RINGS

STYLE 568, 70 DURO HNBR O-RINGS

O-RINGS

Part Number	A Nom. ID	B Nom. OD	C Nom. Ht	O-RING DASH NUMBER	INSIDE DIAMETER	CROSS SECTION	Package Quantity	List Price
568-118H	7/8	1-1/16	3/32	-118	.862 ±.010	.103 ±.003	25	0.47
568-119H	15/16	1-1/8	3/32	-119	.924 ±.010	.103 ±.003	25	0.50
568-120H	1	1-3/16	3/32	-120	.987 ±.010	.103 ±.003	25	0.50
568-121H	1-1/16	1-1/4	3/32	-121	1.049 ±.010	.103 ±.003	25	0.57
568-123H	1-3/16	1-3/8	3/32	-123	1.174 ±.012	.103 ±.003	25	0.64
568-124H	1-1/4	1-7/16	3/32	-124	1.237 ±.012	.103 ±.003	25	1.36
568-125H	1-5/16	1-1/2	3/32	-125	1.299 ±.012	.103 ±.003	20	0.77
568-126H	1-3/8	1-9/16	3/32	-126	1.362 ±.012	.103 ±.003	20	0.80
568-127H	1-7/16	1-5/8	3/32	-127	1.424 ±.012	.103 ±.003	20	0.87
568-128H	1-1/2	1-11/16	3/32	-128	1.487 ±.012	.103 ±.003	20	0.87
568-129H	1-9/16	1-3/4	3/32	-129	1.549 ±.015	.103 ±.003	20	0.88
568-131H	1-11/16	1-7/8	3/32	-131	1.674 ±.015	.103 ±.003	15	0.94
568-132H	1-3/4	1-15/16	3/32	-132	1.737 ±.015	.103 ±.003	15	0.97
568-136H	2	2-3/16	3/32	-136	1.987 ±.017	.103 ±.003	10	1.28
568-137H	2-1/16	2-1/4	3/32	-137	2.050 ±.017	.103 ±.003	10	1.28
568-138H	2-1/8	2-5/16	3/32	-138	2.112 ±.017	.103 ±.003	10	1.37
568-141H	2-5/16	2-1/2	3/32	-141	2.300 ±.020	.103 ±.003	10	1.50
568-144H	2-1/2	2-11/16	3/32	-144	2.487 ±.020	.103 ±.003	10	1.81
568-146H	2-5/8	2-13/16	3/32	-146	2.612 ±.020	.103 ±.003	10	1.78
568-151H	3	3-3/16	3/32	-151	2.987 ±.024	.103 ±.003	5	3.35
568-155H	4	4-3/16	3/32	-155	3.987 ±.028	.103 ±.003	5	4.07
568-165H	6-1/2	6-11/16	3/32	-165	6.487 ±.040	.103 ±.003	3	4.28
1/8" C/S								
568-204H	3/8	5/8	1/8	-204	.359 ±.005	.139 ±.004	25	\$0.41
568-210H	3/4	1	1/8	-210	.734 ±.010	.139 ±.004	25	0.73
568-211H	13/16	1-1/16	1/8	-211	.796 ±.010	.139 ±.004	25	0.73
568-212H	7/8	1-1/8	1/8	-212	.859 ±.010	.139 ±.004	25	0.80
568-213H	15/16	1-3/16	1/8	-213	.921 ±.010	.139 ±.004	25	0.87
568-214H	1	1-1/4	1/8	-214	.984 ±.010	.139 ±.004	25	0.88
568-215H	1-1/16	1-5/16	1/8	-215	1.046 ±.010	.139 ±.004	15	0.90
568-216H	1-1/8	1-3/8	1/8	-216	1.109 ±.012	.139 ±.004	15	0.97
568-217H	1-3/16	1-7/16	1/8	-217	1.171 ±.012	.139 ±.004	15	1.01
568-218H	1-1/4	1-1/2	1/8	-218	1.234 ±.012	.139 ±.004	15	1.13
568-219H	1-5/16	1-9/16	1/8	-219	1.296 ±.012	.139 ±.004	15	1.18
568-220H	1-3/8	1-5/8	1/8	-220	1.359 ±.012	.139 ±.004	15	1.24
568-222H	1-1/2	1-3/4	1/8	-222	1.484 ±.015	.139 ±.004	10	1.31
568-223H	1-5/8	1-7/8	1/8	-223	1.609 ±.015	.139 ±.004	10	1.44
568-224H	1-3/4	2	1/8	-224	1.734 ±.015	.139 ±.004	10	1.57
568-225H	1-7/8	2-1/8	1/8	-225	1.859 ±.018	.139 ±.004	10	1.68
568-226H	2	2-1/4	1/8	-226	1.984 ±.018	.139 ±.004	10	1.84
568-227H	2-1/8	2-3/8	1/8	-227	2.109 ±.018	.139 ±.004	10	1.95
568-228H	2-1/4	2-1/2	1/8	-228	2.234 ±.020	.139 ±.004	10	2.40
568-229H	2-3/8	2-5/8	1/8	-229	2.359 ±.020	.139 ±.004	10	2.14
568-230H	2-1/2	2-3/4	1/8	-230	2.484 ±.020	.139 ±.004	10	2.38
568-231H	2-5/8	2-7/8	1/8	-231	2.609 ±.020	.139 ±.004	5	2.58
568-232H	2-3/4	3	1/8	-232	2.734 ±.024	.139 ±.004	5	2.72
568-234H	3	3-1/4	1/8	-234	2.984 ±.024	.139 ±.004	5	2.72
568-236H	3-1/4	3-1/2	1/8	-236	3.234 ±.024	.139 ±.004	5	2.78
568-237H	3-3/8	3-5/8	1/8	-237	3.359 ±.024	.139 ±.004	5	2.82
568-238H	3-1/2	3-3/4	1/8	-238	3.484 ±.024	.139 ±.004	5	3.21
568-239H	3-5/8	3-7/8	1/8	-239	3.609 ±.028	.139 ±.004	5	3.27
568-240H	3-3/4	4	1/8	-240	3.734 ±.028	.139 ±.004	5	3.34
568-242H	4	4-1/4	1/8	-242	3.984 ±.028	.139 ±.004	5	3.48
568-244H	4-1/4	4-1/2	1/8	-244	4.234 ±.030	.139 ±.004	5	3.84
568-245H	4-3/8	4-5/8	1/8	-245	4.359 ±.030	.139 ±.004	5	4.41
568-246H	4-1/2	4-3/4	1/8	-246	4.484 ±.030	.139 ±.004	3	4.56
568-247H	4-5/8	4-7/8	1/8	-247	4.609 ±.030	.139 ±.004	3	4.74

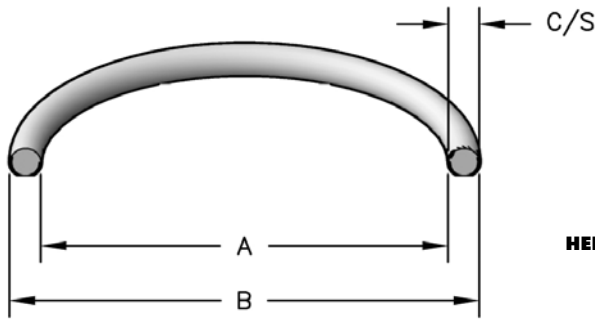
STYLE 568, 70 DURO HNBR O-RINGS



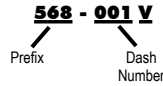
Part Number	A Nom. ID	B Nom. OD	C Nom. Ht	O-RING DASH NUMBER	INSIDE DIAMETER	CROSS SECTION	Package Quantity	List Price
568-248H	4-3/4	5	1/8	-248	4.734 ±.030	.139 ±.004	3	4.82
568-251H	5-1/8	5-3/8	1/8	-251	5.109 ±.035	.139 ±.004	3	5.18
568-254H	5-1/2	5-3/4	1/8	-254	5.484 ±.035	.139 ±.004	3	5.33
568-255H	5-5/8	5-7/8	1/8	-255	5.609 ±.035	.139 ±.004	3	5.38
568-256H	5-3/4	6	1/8	-256	5.734 ±.035	.139 ±.004	3	5.52
568-257H	5-7/8	6-1/8	1/8	-257	5.859 ±.035	.139 ±.004	3	5.59
3/16" C/S								
568-328H	1-7/8	2-1/4	3/16	-328	1.850 ±.015	.210 ±.005	5	\$3.42
568-333H	2-1/2	2-7/8	3/16	-333	2.475 ±.020	.210 ±.005	5	4.36
568-338H	3-1/8	3-1/2	3/16	-338	3.100 ±.024	.210 ±.005	3	5.35
568-340H	3-3/8	3-3/4	3/16	-340	3.350 ±.024	.210 ±.005	3	5.89
568-343H	3-3/4	4-1/8	3/16	-343	3.725 ±.028	.210 ±.005	3	6.39
568-346H	4-1/8	4-1/2	3/16	-346	4.100 ±.028	.210 ±.005	2	7.36
568-348H	4-3/8	4-3/4	3/16	-348	4.350 ±.030	.210 ±.005	2	7.76
568-353H	5	5-3/8	3/16	-353	4.975 ±.037	.210 ±.005	2	8.73
568-363H	6-1/2	6-7/8	3/16	-363	6.475 ±.040	.210 ±.005	1	12.35
1/4" C/S								
568-439H	6-1/2	7	1/4	-439	6.475 ±.040	.275 ±.006	1	\$18.37

O-RINGS

STYLE 568, 75 DURO FLUOROCARBON O-RINGS



HERCULES PART NUMBERS



SEAL INFORMATION

MATERIAL	BROWN FLUOROCARBON
TEMPERATURE RANGE	-20° TO +400° F
PRESSURE RANGE	VARIABLE ACCORDING TO DIAMETRICAL CLEARANCE

O-RINGS

Part Number	A Nom. ID	B Nom. OD	C Nom. Ht	INSIDE DIAMETER	CROSS SECTION	Package Quantity	List Price
1/32" C/S							
568-001V	1/32	3/32	1/32	.029 ±.004	.040 ±.003	56	\$0.60
3/64" C/S							
568-002V	3/64	9/64	3/64	.042 ±.004	.050 ±.003	50	\$0.60
1/16" C/S							
568-003V	1/16	3/16	1/16	.056 ±.004	.060 ±.003	40	\$0.60
568-004V	5/64	13/64	1/16	.070 ±.005	.070 ±.003	40	0.60
568-005V	3/32	7/32	1/16	.101 ±.005	.070 ±.003	40	0.60
568-006V	1/8	1/4	1/16	.114 ±.005	.070 ±.003	40	0.60
568-007V	5/32	9/32	1/16	.145 ±.005	.070 ±.003	40	0.60
568-008V	3/16	5/16	1/16	.176 ±.005	.070 ±.003	40	0.60
568-009V	7/32	11/32	1/16	.208 ±.005	.070 ±.003	30	0.60
568-010V	1/4	3/8	1/16	.239 ±.005	.070 ±.003	30	0.60
568-011V	5/16	7/16	1/16	.301 ±.005	.070 ±.003	30	0.60
568-012V	3/8	1/2	1/16	.364 ±.005	.070 ±.003	20	0.63
568-013V	7/16	9/16	1/16	.426 ±.005	.070 ±.003	20	0.67
568-014V	1/2	5/8	1/16	.489 ±.005	.070 ±.003	20	0.67
568-015V	9/16	11/16	1/16	.551 ±.007	.070 ±.003	20	0.80
568-016V	5/8	3/4	1/16	.614 ±.009	.070 ±.003	20	0.80
568-017V	11/16	13/16	1/16	.676 ±.009	.070 ±.003	15	0.80
568-018V	3/4	7/8	1/16	.739 ±.009	.070 ±.003	15	0.80
568-019V	13/16	15/16	1/16	.801 ±.009	.070 ±.003	15	0.87
568-020V	7/8	1	1/16	.864 ±.009	.070 ±.003	15	0.93
568-021V	15/16	1-1/16	1/16	.926 ±.009	.070 ±.003	15	1.00
568-022V	1	1-1/8	1/16	.989 ±.010	.070 ±.003	15	1.10
568-023V	1-1/16	1-3/16	1/16	1.051 ±.010	.070 ±.003	15	1.10
568-024V	1-1/8	1-1/4	1/16	1.114 ±.010	.070 ±.003	15	1.33
568-025V	1-3/16	1-5/16	1/16	1.176 ±.011	.070 ±.003	8	1.33
568-026V	1-1/4	1-3/8	1/16	1.239 ±.011	.070 ±.003	10	1.45
568-027V	1-5/16	1-7/16	1/16	1.301 ±.011	.070 ±.003	10	1.48
568-028V	1-3/8	1-1/2	1/16	1.364 ±.013	.070 ±.003	10	1.68
568-029V	1-1/2	1-5/8	1/16	1.489 ±.013	.070 ±.003	10	1.90
568-030V	1-5/8	1-3/4	1/16	1.614 ±.013	.070 ±.003	5	2.03
568-031V	1-3/4	1-7/8	1/16	1.739 ±.015	.070 ±.003	5	2.30
568-032V	1-7/8	2	1/16	1.864 ±.015	.070 ±.003	5	2.71
568-033V	2	2-1/8	1/16	1.989 ±.018	.070 ±.003	5	2.92
568-034V	2-1/8	2-1/4	1/16	2.114 ±.018	.070 ±.003	3	2.92
568-035V	2-1/4	2-3/8	1/16	2.239 ±.018	.070 ±.003	3	3.00
568-036V	2-3/8	2-1/2	1/16	2.364 ±.018	.070 ±.003	3	3.45
568-037V	2-1/2	2-5/8	1/16	2.489 ±.018	.070 ±.003	3	3.49
568-038V	2-5/8	2-3/4	1/16	2.614 ±.020	.070 ±.003	3	3.61
568-039V	2-3/4	2-7/8	1/16	2.739 ±.020	.070 ±.003	3	3.85
568-040V	2-7/8	3	1/16	2.864 ±.020	.070 ±.003	3	3.97

STYLE 568, 75 DURO FLUOROCARBON O-RINGS

O-RINGS

Part Number	A Nom. ID	B Nom. OD	C Nom. Ht	INSIDE DIAMETER	CROSS SECTION	Package Quantity	List Price
568-041V	3	3-1/8	1/16	2.989 ±.024	.070 ±.003	3	4.56
568-042V	3-1/4	3-3/8	1/16	3.239 ±.024	.070 ±.003	3	5.35
568-043V	3-1/2	3-5/8	1/16	3.489 ±.024	.070 ±.003	3	5.78
568-044V	3-3/4	3-7/8	1/16	3.739 ±.027	.070 ±.003	3	6.18
568-045V	4	4-1/8	1/16	3.989 ±.027	.070 ±.003	2	6.75
568-046V	4-1/4	4-3/8	1/16	4.239 ±.030	.070 ±.003	2	7.05
568-047V	4-1/2	4-5/8	1/16	4.489 ±.030	.070 ±.003	2	7.84
568-048V	4-3/4	4-7/8	1/16	4.739 ±.030	.070 ±.003	2	8.13
568-049V	5	5-1/8	1/16	4.989 ±.037	.070 ±.003	2	10.61
568-050V	5-1/4	5-3/8	1/16	5.239 ±.037	.070 ±.003	1	11.37
3/32" C/S							
568-102V	1/16	1/4	3/32	.049 ±.005	.103 ±.003	50	\$0.70
568-104V	1/8	5/16	3/32	.112 ±.005	.103 ±.003	15	0.77
568-105V	5/32	11/32	3/32	.143 ±.005	.103 ±.003	27	0.80
568-106V	3/16	3/8	3/32	.174 ±.005	.103 ±.003	15	0.77
568-107V	7/32	13/32	3/32	.206 ±.005	.103 ±.003	15	0.77
568-108V	1/4	7/16	3/32	.237 ±.005	.103 ±.003	15	0.80
568-109V	5/16	1/2	3/32	.299 ±.005	.103 ±.003	15	0.84
568-110V	3/8	9/16	3/32	.362 ±.005	.103 ±.003	15	0.87
568-111V	7/16	5/8	3/32	.424 ±.005	.103 ±.003	15	0.93
568-112V	1/2	11/16	3/32	.487 ±.005	.103 ±.003	15	1.06
568-113V	9/16	3/4	3/32	.549 ±.005	.103 ±.003	15	1.10
568-114V	5/8	13/16	3/32	.612 ±.009	.103 ±.003	15	1.10
568-115V	11/16	7/8	3/32	.674 ±.009	.103 ±.003	10	1.27
568-116V	3/4	15/16	3/32	.737 ±.009	.103 ±.003	10	1.33
568-117V	13/16	1	3/32	.799 ±.010	.103 ±.003	10	1.43
568-118V	7/8	1-1/16	3/32	.862 ±.010	.103 ±.003	10	1.45
568-119V	15/16	1-1/8	3/32	.924 ±.010	.103 ±.003	10	1.55
568-120V	1	1-3/16	3/32	.987 ±.010	.103 ±.003	10	1.68
568-121V	1-1/16	1-1/4	3/32	1.049 ±.010	.103 ±.003	10	1.85
568-122V	1-1/8	1-5/16	3/32	1.112 ±.010	.103 ±.003	10	2.03
568-123V	1-3/16	1-3/8	3/32	1.174 ±.012	.103 ±.003	10	2.13
568-124V	1-1/4	1-7/16	3/32	1.237 ±.012	.103 ±.003	10	2.13
568-125V	1-5/16	1-1/2	3/32	1.299 ±.012	.103 ±.003	5	2.25
568-126V	1-3/8	1-9/16	3/32	1.362 ±.012	.103 ±.003	5	2.37
568-127V	1-7/16	1-5/8	3/32	1.424 ±.012	.103 ±.003	5	2.42
568-128V	1-1/2	1-11/16	3/32	1.487 ±.012	.103 ±.003	5	2.57
568-129V	1-9/16	1-3/4	3/32	1.549 ±.015	.103 ±.003	5	2.72
568-130V	1-5/8	1-13/16	3/32	1.612 ±.015	.103 ±.003	5	2.88
568-131V	1-11/16	1-7/8	3/32	1.674 ±.015	.103 ±.003	3	2.88
568-132V	1-3/4	1-15/16	3/32	1.737 ±.015	.103 ±.003	4	2.95
568-133V	1-13/16	2	3/32	1.799 ±.015	.103 ±.003	4	3.11
568-134V	1-7/8	2-1/16	3/32	1.862 ±.015	.103 ±.003	3	3.11
568-135V	1-15/16	2-1/8	3/32	1.925 ±.017	.103 ±.003	3	3.24
568-136V	2	2-3/16	3/32	1.987 ±.017	.103 ±.003	3	3.47
568-137V	2-1/16	2-1/4	3/32	2.050 ±.017	.103 ±.003	4	3.54
568-138V	2-1/8	2-5/16	3/32	2.112 ±.017	.103 ±.003	3	3.69
568-139V	2-3/16	2-3/8	3/32	2.175 ±.017	.103 ±.003	2	3.82
568-140V	2-1/4	2-7/16	3/32	2.237 ±.017	.103 ±.003	2	3.94
568-141V	2-5/16	2-1/2	3/32	2.300 ±.020	.103 ±.003	3	4.02
568-142V	2-3/8	2-9/16	3/32	2.362 ±.020	.103 ±.003	3	4.02
568-143V	2-7/16	2-5/8	3/32	2.425 ±.020	.103 ±.003	2	4.22
568-144V	2-1/2	2-11/16	3/32	2.487 ±.020	.103 ±.003	3	4.22
568-145V	2-9/16	2-3/4	3/32	2.550 ±.020	.103 ±.003	2	4.39
568-146V	2-5/8	2-13/16	3/32	2.612 ±.020	.103 ±.003	2	4.52
568-147V	2-11/16	2-7/8	3/32	2.675 ±.022	.103 ±.003	3	4.59
568-148V	2-3/4	2-15/16	3/32	2.737 ±.022	.103 ±.003	3	4.76

STYLE 568, 75 DURO FLUOROCARBON O-RINGS

O-RINGS

Part Number	A Nom. ID	B Nom. OD	C Nom. Ht	INSIDE DIAMETER	CROSS SECTION	Package Quantity	List Price
568-149V	2-13/16	3	3/32	2.800 ±.022	.103 ±.003	2	4.89
568-150V	2-7/8	3-1/16	3/32	2.862 ±.022	.103 ±.003	2	5.22
568-151V	3	3-3/16	3/32	2.987 ±.024	.103 ±.003	2	5.72
568-152V	3-1/4	3-7/16	3/32	3.237 ±.024	.103 ±.003	2	6.33
568-153V	3-1/2	3-11/16	3/32	3.487 ±.024	.103 ±.003	5	6.92
568-154V	3-3/4	3-15/16	3/32	3.737 ±.028	.103 ±.003	2	7.57
568-155V	4	4-3/16	3/32	3.987 ±.028	.103 ±.003	2	7.87
568-156V	4-1/4	4-7/16	3/32	4.237 ±.030	.103 ±.003	2	8.77
568-157V	4-1/2	4-11/16	3/32	4.487 ±.030	.103 ±.003	1	9.66
568-158V	4-3/4	4-15/16	3/32	4.737 ±.030	.103 ±.003	2	10.20
568-159V	5	5-3/16	3/32	4.987 ±.035	.103 ±.003	1	11.18
568-160V	5-1/4	5-7/16	3/32	5.237 ±.035	.103 ±.003	1	12.78
568-161V	5-1/2	5-11/16	3/32	5.487 ±.035	.103 ±.003	1	14.08
568-162V	5-3/4	5-15/16	3/32	5.737 ±.035	.103 ±.003	1	15.15
568-163V	6	6-3/16	3/32	5.987 ±.035	.103 ±.003	1	16.36
568-164V	6-1/4	6-7/16	3/32	6.237 ±.040	.103 ±.003	1	17.32
568-165V	6-1/2	6-11/16	3/32	6.487 ±.040	.103 ±.003	1	19.06
568-166V	6-3/4	6-15/16	3/32	6.737 ±.040	.103 ±.003	1	19.41
568-167V	7	7-3/16	3/32	6.987 ±.040	.103 ±.003	1	19.65
568-168V	7-1/4	7-7/16	3/32	7.237 ±.045	.103 ±.003	1	20.61
568-169V	7-1/2	7-11/16	3/32	7.487 ±.045	.103 ±.003	1	21.82
568-170V	7-3/4	7-15/16	3/32	7.737 ±.045	.103 ±.003	1	25.46
568-171V	8	8-3/16	3/32	7.987 ±.045	.103 ±.003	1	26.64
568-172V	8-1/4	8-7/16	3/32	8.237 ±.050	.103 ±.003	1	27.86
568-173V	8-1/2	8-11/16	3/32	8.487 ±.050	.103 ±.003	1	26.87
568-174V	8-3/4	8-15/16	3/32	8.737 ±.050	.103 ±.003	1	28.48
568-175V	9	9-3/16	3/32	8.987 ±.050	.103 ±.003	1	29.60
568-176V	9-1/4	9-7/16	3/32	9.237 ±.055	.103 ±.003	1	31.54
568-177V	9-1/2	9-11/16	3/32	9.487 ±.055	.103 ±.003	1	32.13
568-178V	9-3/4	9-15/16	3/32	9.737 ±.055	.103 ±.003	1	33.70
1/8" C/S							
568-201V	3/16	7/16	1/8	.171 ±.005	.139 ±.004	15	\$1.30
568-202V	1/4	1/2	1/8	.234 ±.005	.139 ±.004	15	1.37
568-203V	5/16	9/16	1/8	.296 ±.005	.139 ±.004	10	1.45
568-204V	3/8	5/8	1/8	.359 ±.005	.139 ±.004	10	1.48
568-205V	7/16	11/16	1/8	.421 ±.005	.139 ±.004	8	1.48
568-206V	1/2	3/4	1/8	.484 ±.005	.139 ±.004	8	1.51
568-207V	9/16	13/16	1/8	.546 ±.007	.139 ±.004	10	1.63
568-208V	5/8	7/8	1/8	.609 ±.009	.139 ±.004	7	1.63
568-209V	11/16	15/16	1/8	.671 ±.009	.139 ±.004	6	1.75
568-210V	3/4	1	1/8	.734 ±.010	.139 ±.004	5	1.85
568-211V	13/16	1-1/16	1/8	.796 ±.010	.139 ±.004	5	2.03
568-212V	7/8	1-1/8	1/8	.859 ±.010	.139 ±.004	5	2.13
568-213V	15/16	1-3/16	1/8	.921 ±.010	.139 ±.004	5	2.37
568-214V	1	1-1/4	1/8	.984 ±.010	.139 ±.004	5	2.57
568-215V	1-1/16	1-5/16	1/8	1.046 ±.010	.139 ±.004	4	2.72
568-216V	1-1/8	1-3/8	1/8	1.109 ±.012	.139 ±.004	5	2.88
568-217V	1-3/16	1-7/16	1/8	1.171 ±.012	.139 ±.004	3	2.88
568-218V	1-1/4	1-1/2	1/8	1.234 ±.012	.139 ±.004	3	3.11
568-219V	1-5/16	1-9/16	1/8	1.296 ±.012	.139 ±.004	3	3.31
568-220V	1-3/8	1-5/8	1/8	1.359 ±.012	.139 ±.004	3	3.49
568-221V	1-7/16	1-11/16	1/8	1.421 ±.012	.139 ±.004	3	3.61
568-222V	1-1/2	1-3/4	1/8	1.484 ±.015	.139 ±.004	3	3.85
568-223V	1-5/8	1-7/8	1/8	1.609 ±.015	.139 ±.004	3	4.07
568-224V	1-3/4	2	1/8	1.734 ±.015	.139 ±.004	3	4.49
568-225V	1-7/8	2-1/8	1/8	1.859 ±.018	.139 ±.004	3	4.86
568-226V	2	2-1/4	1/8	1.984 ±.018	.139 ±.004	3	5.46

STYLE 568, 75 DURO FLUOROCARBON O-RINGS

O-RINGS

Part Number	A Nom. ID	B Nom. OD	C Nom. Ht	INSIDE DIAMETER	CROSS SECTION	Package Quantity	List Price
568-227V	2-1/8	2-3/8	1/8	2.109 ±.018	.139 ±.004	2	5.78
568-228V	2-1/4	2-1/2	1/8	2.234 ±.020	.139 ±.004	3	6.00
568-229V	2-3/8	2-5/8	1/8	2.359 ±.020	.139 ±.004	2	6.38
568-230V	2-1/2	2-3/4	1/8	2.484 ±.020	.139 ±.004	2	6.69
568-231V	2-5/8	2-7/8	1/8	2.609 ±.020	.139 ±.004	2	7.07
568-232V	2-3/4	3	1/8	2.734 ±.024	.139 ±.004	2	7.27
568-233V	2-7/8	3-1/8	1/8	2.859 ±.024	.139 ±.004	2	7.66
568-234V	3	3-1/4	1/8	2.984 ±.024	.139 ±.004	2	8.14
568-235V	3-1/8	3-3/8	1/8	3.109 ±.024	.139 ±.004	2	8.52
568-236V	3-1/4	3-1/2	1/8	3.234 ±.024	.139 ±.004	2	8.89
568-237V	3-3/8	3-5/8	1/8	3.359 ±.024	.139 ±.004	2	9.26
568-238V	3-1/2	3-3/4	1/8	3.484 ±.024	.139 ±.004	2	9.66
568-239V	3-5/8	3-7/8	1/8	3.609 ±.028	.139 ±.004	2	9.96
568-240V	3-3/4	4	1/8	3.734 ±.028	.139 ±.004	2	10.20
568-241V	3-7/8	4-1/8	1/8	3.859 ±.028	.139 ±.004	1	10.77
568-242V	4	4-1/4	1/8	3.984 ±.028	.139 ±.004	1	10.87
568-243V	4-1/8	4-3/8	1/8	4.109 ±.028	.139 ±.004	1	11.54
568-244V	4-1/4	4-1/2	1/8	4.234 ±.030	.139 ±.004	1	12.04
568-245V	4-3/8	4-5/8	1/8	4.359 ±.030	.139 ±.004	1	12.25
568-246V	4-1/2	4-3/4	1/8	4.484 ±.030	.139 ±.004	1	12.78
568-247V	4-5/8	4-7/8	1/8	4.609 ±.030	.139 ±.004	1	12.98
568-248V	4-3/4	5	1/8	4.734 ±.030	.139 ±.004	1	13.24
568-249V	4-7/8	5-1/8	1/8	4.859 ±.035	.139 ±.004	1	13.59
568-250V	5	5-1/4	1/8	4.984 ±.035	.139 ±.004	1	14.39
568-251V	5-1/8	5-3/8	1/8	5.109 ±.035	.139 ±.004	1	15.05
568-252V	5-1/4	5-1/2	1/8	5.234 ±.035	.139 ±.004	1	16.03
568-253V	5-3/8	5-5/8	1/8	5.359 ±.035	.139 ±.004	1	16.29
568-254V	5-1/2	5-3/4	1/8	5.484 ±.035	.139 ±.004	1	16.87
568-255V	5-5/8	5-7/8	1/8	5.609 ±.035	.139 ±.004	1	17.60
568-256V	5-3/4	6	1/8	5.734 ±.035	.139 ±.004	1	18.20
568-257V	5-7/8	6-1/8	1/8	5.859 ±.035	.139 ±.004	1	18.73
568-258V	6	6-1/4	1/8	5.984 ±.035	.139 ±.004	1	19.30
568-259V	6-1/4	6-1/2	1/8	6.234 ±.040	.139 ±.004	1	19.65
568-260V	6-1/2	6-3/4	1/8	6.484 ±.040	.139 ±.004	1	19.98
568-261V	6-3/4	7	1/8	6.734 ±.040	.139 ±.004	1	20.61
568-262V	7	7-1/4	1/8	6.984 ±.040	.139 ±.004	1	21.82
568-263V	7-1/4	7-1/2	1/8	7.234 ±.045	.139 ±.004	1	24.00
568-264V	7-1/2	7-3/4	1/8	7.484 ±.045	.139 ±.004	1	27.20
568-265V	7-3/4	8	1/8	7.734 ±.045	.139 ±.004	1	29.04
568-266V	8	8-1/4	1/8	7.984 ±.045	.139 ±.004	1	30.27
568-267V	8-1/4	8-1/2	1/8	8.234 ±.050	.139 ±.004	1	31.75
568-268V	8-1/2	8-3/4	1/8	8.484 ±.050	.139 ±.004	1	32.92
568-269V	8-3/4	9	1/8	8.734 ±.050	.139 ±.004	1	34.12
568-270V	9	9-1/4	1/8	8.984 ±.050	.139 ±.004	1	35.43
568-271V	9-1/4	9-1/2	1/8	9.234 ±.055	.139 ±.004	1	36.70
568-272V	9-1/2	9-3/4	1/8	9.484 ±.055	.139 ±.004	1	37.91
568-273V	9-3/4	10	1/8	9.734 ±.055	.139 ±.004	1	38.30
568-274V	10	10-1/4	1/8	9.984 ±.055	.139 ±.004	1	40.52
568-275V	10-1/2	10-3/4	1/8	10.484 ±.055	.139 ±.004	1	42.06
568-276V	11	11-1/4	1/8	10.984 ±.065	.139 ±.004	1	42.63
568-277V	11-1/2	11-3/4	1/8	11.484 ±.065	.139 ±.004	1	44.04
568-278V	12	12-1/4	1/8	11.984 ±.065	.139 ±.004	1	45.31
568-279V	13	13-1/4	1/8	12.984 ±.065	.139 ±.004	1	47.57
568-280V	14	14-1/4	1/8	13.984 ±.065	.139 ±.004	1	48.41
568-281V	15	15-1/4	1/8	14.984 ±.065	.139 ±.004	1	52.05
568-282V	16	16-1/4	1/8	15.955 ±.075	.139 ±.004	1	55.70
568-284V	18	18-1/4	1/8	17.955 ±.085	.139 ±.004	1	63.46

STYLE 568, 75 DURO FLUOROCARBON O-RINGS

O-RINGS

Part Number	A Nom. ID	B Nom. OD	C Nom. Ht	INSIDE DIAMETER	CROSS SECTION	Package Quantity	List Price
3/16" C/S							
568-309V	7/16	13/16	3/16	.412 ±.005	.210 ±.005	3	\$4.32
568-310V	1/2	7/8	3/16	.475 ±.005	.210 ±.005	3	4.52
568-311V	9/16	15/16	3/16	.537 ±.007	.210 ±.005	3	4.89
568-312V	5/8	1	3/16	.600 ±.009	.210 ±.005	3	5.08
568-313V	11/16	1-1/16	3/16	.662 ±.009	.210 ±.005	3	5.22
568-314V	3/4	1-1/8	3/16	.725 ±.010	.210 ±.005	3	5.43
568-315V	13/16	1-3/16	3/16	.787 ±.010	.210 ±.005	3	5.65
568-316V	7/8	1-1/4	3/16	.850 ±.010	.210 ±.005	3	5.32
568-317V	15/16	1-5/16	3/16	.912 ±.010	.210 ±.005	3	5.72
568-318V	1	1-3/8	3/16	.975 ±.010	.210 ±.005	2	5.79
568-319V	1-1/16	1-7/16	3/16	1.037 ±.010	.210 ±.005	2	5.98
568-320V	1-1/8	1-1/2	3/16	1.100 ±.012	.210 ±.005	2	6.15
568-321V	1-3/16	1-9/16	3/16	1.162 ±.012	.210 ±.005	2	6.20
568-322V	1-1/4	1-5/8	3/16	1.225 ±.012	.210 ±.005	2	6.20
568-323V	1-5/16	1-11/16	3/16	1.287 ±.012	.210 ±.005	2	6.92
568-324V	1-3/8	1-3/4	3/16	1.350 ±.012	.210 ±.005	2	7.27
568-325V	1-1/2	1-7/8	3/16	1.475 ±.015	.210 ±.005	2	7.83
568-326V	1-5/8	2	3/16	1.600 ±.015	.210 ±.005	1	8.30
568-327V	1-3/4	2-1/8	3/16	1.725 ±.015	.210 ±.005	1	8.52
568-328V	1-7/8	2-1/4	3/16	1.850 ±.015	.210 ±.005	1	9.10
568-329V	2	2-3/8	3/16	1.975 ±.018	.210 ±.005	1	10.40
568-330V	2-1/8	2-1/2	3/16	2.100 ±.018	.210 ±.005	1	11.30
568-331V	2-1/4	2-5/8	3/16	2.225 ±.018	.210 ±.005	1	11.54
568-332V	2-3/8	2-3/4	3/16	2.350 ±.018	.210 ±.005	1	13.04
568-333V	2-1/2	2-7/8	3/16	2.475 ±.020	.210 ±.005	1	13.59
568-334V	2-5/8	3	3/16	2.600 ±.020	.210 ±.005	1	14.25
568-335V	2-3/4	3-1/8	3/16	2.725 ±.020	.210 ±.005	1	15.05
568-336V	2-7/8	3-1/4	3/16	2.850 ±.020	.210 ±.005	1	16.13
568-337V	3	3-3/8	3/16	2.975 ±.024	.210 ±.005	1	17.04
568-338V	3-1/8	3-1/2	3/16	3.100 ±.024	.210 ±.005	1	17.96
568-339V	3-1/4	3-5/8	3/16	3.225 ±.024	.210 ±.005	1	19.17
568-340V	3-3/8	3-3/4	3/16	3.350 ±.024	.210 ±.005	1	20.10
568-341V	3-1/2	3-7/8	3/16	3.475 ±.024	.210 ±.005	1	20.61
568-342V	3-5/8	4	3/16	3.600 ±.028	.210 ±.005	1	21.32
568-343V	3-3/4	4-1/8	3/16	3.725 ±.028	.210 ±.005	1	21.72
568-344V	3-7/8	4-1/4	3/16	3.850 ±.028	.210 ±.005	1	22.46
568-345V	4	4-3/8	3/16	3.975 ±.028	.210 ±.005	1	22.96
568-346V	4-1/8	4-1/2	3/16	4.100 ±.028	.210 ±.005	1	24.00
568-347V	4-1/4	4-5/8	3/16	4.225 ±.030	.210 ±.005	1	24.13
568-348V	4-3/8	4-3/4	3/16	4.350 ±.030	.210 ±.005	1	24.73
568-349V	4-1/2	4-7/8	3/16	4.475 ±.030	.210 ±.005	1	25.46
568-350V	4-5/8	5	3/16	4.600 ±.030	.210 ±.005	1	26.10
568-351V	4-3/4	5-1/8	3/16	4.725 ±.030	.210 ±.005	1	27.26
568-352V	4-7/8	5-1/4	3/16	4.850 ±.030	.210 ±.005	1	26.68
568-353V	5	5-3/8	3/16	4.975 ±.037	.210 ±.005	1	28.48
568-354V	5-1/8	5-1/2	3/16	5.100 ±.037	.210 ±.005	1	28.54
568-355V	5-1/4	5-5/8	3/16	5.225 ±.037	.210 ±.005	1	28.84
568-356V	5-3/8	5-3/4	3/16	5.350 ±.037	.210 ±.005	1	32.13
568-357V	5-1/2	5-7/8	3/16	5.475 ±.037	.210 ±.005	1	33.32
568-358V	5-5/8	6	3/16	5.600 ±.037	.210 ±.005	1	34.54
568-359V	5-3/4	6-1/8	3/16	5.725 ±.037	.210 ±.005	1	15.90
568-360V	5-7/8	6-1/4	3/16	5.850 ±.037	.210 ±.005	1	39.71
568-361V	6	6-3/8	3/16	5.975 ±.037	.210 ±.005	1	42.46
568-362V	6-1/4	6-5/8	3/16	6.225 ±.040	.210 ±.005	1	44.43
568-363V	6-1/2	6-7/8	3/16	6.475 ±.040	.210 ±.005	1	44.60
568-364V	6-3/4	7-1/8	3/16	6.725 ±.040	.210 ±.005	1	44.76

STYLE 568, 75 DURO FLUOROCARBON O-RINGS

O-RINGS

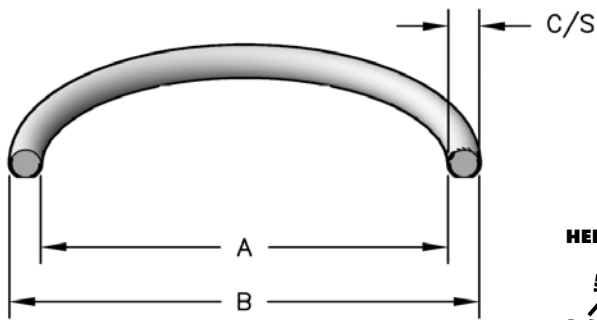
Part Number	A Nom. ID	B Nom. OD	C Nom. Ht	INSIDE DIAMETER	CROSS SECTION	Package Quantity	List Price
568-365V	7	7-3/8	3/16	6.975 ±.040	.210 ±.005	1	46.03
568-366V	7-1/4	7-5/8	3/16	7.225 ±.045	.210 ±.005	1	50.82
568-367V	7-1/2	7-7/8	3/16	7.475 ±.045	.210 ±.005	1	54.58
568-368V	7-3/4	8-1/8	3/16	7.725 ±.045	.210 ±.005	1	56.85
568-369V	8	8-3/8	3/16	7.975 ±.045	.210 ±.005	1	58.39
568-370V	8-1/4	8-5/8	3/16	8.225 ±.050	.210 ±.005	1	59.23
568-371V	8-1/2	8-7/8	3/16	8.475 ±.050	.210 ±.005	1	62.49
568-373V	9	9-3/8	3/16	8.975 ±.050	.210 ±.005	1	64.74
568-374V	9-1/4	9-5/8	3/16	9.225 ±.055	.210 ±.005	1	65.32
568-375V	9-1/2	9-7/8	3/16	9.475 ±.055	.210 ±.005	1	69.60
568-376V	9-3/4	10-1/8	3/16	9.725 ±.055	.210 ±.005	1	73.33
568-377V	10	10-3/8	3/16	9.975 ±.055	.210 ±.005	1	76.39
568-378V	10-1/2	10-7/8	3/16	10.475 ±.060	.210 ±.005	1	81.51
568-379V	11	11-3/8	3/16	10.975 ±.060	.210 ±.005	1	87.32
568-380V	11-1/2	11-7/8	3/16	11.475 ±.065	.210 ±.005	1	90.71
568-381V	12	12-3/8	3/16	11.975 ±.065	.210 ±.005	1	95.35
568-382V	13	13-3/8	3/16	12.975 ±.065	.210 ±.005	1	98.31
568-383V	14	14-3/8	3/16	13.975 ±.070	.210 ±.005	1	103.43
568-384V	15	15-3/8	3/16	14.975 ±.070	.210 ±.005	1	108.61
568-385V	16	16-3/8	3/16	15.955 ±.075	.210 ±.005	1	114.00
568-386V	17	17-3/8	3/16	16.955 ±.080	.210 ±.005	1	120.68
568-388V	19	19-3/8	3/16	18.955 ±.090	.210 ±.005	1	141.60
568-389V	20	20-3/8	3/16	19.955 ±.095	.210 ±.005	1	144.64
568-390V	21	21-3/8	3/16	20.955 ±.095	.210 ±.005	1	147.79
568-392V	23	23-3/8	3/16	22.940 ±.105	.210 ±.005	1	158.45
568-393V	24	24-3/8	3/16	23.940 ±.110	.210 ±.005	1	163.37
1/4" C/S							
568-425V	4-1/2	5	1/4	4.475 ±.033	.275 ±.006	1	\$34.83
568-426V	4-5/8	5-1/8	1/4	4.600 ±.033	.275 ±.006	1	35.03
568-427V	4-3/4	5-1/4	1/4	4.725 ±.033	.275 ±.006	1	34.51
568-428V	4-7/8	5-3/8	1/4	4.850 ±.033	.275 ±.006	1	38.52
568-429V	5	5-1/2	1/4	4.975 ±.037	.275 ±.006	1	39.37
568-430V	5-1/8	5-5/8	1/4	5.100 ±.037	.275 ±.006	1	39.59
568-431V	5-1/4	5-3/4	1/4	5.225 ±.037	.275 ±.006	1	40.52
568-432V	5-3/8	5-7/8	1/4	5.350 ±.037	.275 ±.006	1	41.05
568-433V	5-1/2	6	1/4	5.475 ±.037	.275 ±.006	1	42.86
568-434V	5-5/8	6-1/8	1/4	5.600 ±.037	.275 ±.006	1	43.66
568-435V	5-3/4	6-1/4	1/4	5.725 ±.037	.275 ±.006	1	44.24
568-436V	5-7/8	6-3/8	1/4	5.850 ±.037	.275 ±.006	1	48.32
568-437V	6	6-1/2	1/4	5.975 ±.037	.275 ±.006	1	46.44
568-438V	6-1/4	6-3/4	1/4	6.225 ±.040	.275 ±.006	1	48.22
568-439V	6-1/2	7	1/4	6.475 ±.040	.275 ±.006	1	50.45
568-440V	6-3/4	7-1/4	1/4	6.725 ±.040	.275 ±.006	1	52.03
568-441V	7	7-1/2	1/4	6.975 ±.040	.275 ±.006	1	55.70
568-442V	7-1/4	7-3/4	1/4	7.225 ±.045	.275 ±.006	1	60.60
568-443V	7-1/2	8	1/4	7.475 ±.045	.275 ±.006	1	64.17
568-444V	7-3/4	8-1/4	1/4	7.725 ±.045	.275 ±.006	1	64.19
568-445V	8	8-1/2	1/4	7.975 ±.045	.275 ±.006	1	68.32
568-446V	8-1/2	9	1/4	8.475 ±.055	.275 ±.006	1	71.87
568-447V	9	9-1/2	1/4	8.975 ±.055	.275 ±.006	1	75.07
568-448V	9-1/2	10	1/4	9.475 ±.055	.275 ±.006	1	78.33
568-449V	10	10-1/2	1/4	9.975 ±.055	.275 ±.006	1	84.47
568-450V	10-1/2	11	1/4	10.475 ±.060	.275 ±.006	1	91.24
568-451V	11	11-1/2	1/4	10.975 ±.060	.275 ±.006	1	92.91
568-452V	11-1/2	12	1/4	11.475 ±.060	.275 ±.006	1	96.90
568-453V	12	12-1/2	1/4	11.975 ±.060	.275 ±.006	1	100.30
568-454V	12-1/2	13	1/4	12.475 ±.060	.275 ±.006	1	104.15

STYLE 568, 75 DURO FLUOROCARBON O-RINGS

Part Number	A Nom. ID	B Nom. OD	C Nom. Ht	INSIDE DIAMETER	CROSS SECTION	Package Quantity	List Price
568-455V	13	13-1/2	1/4	12.975 ±.060	.275 ±.006	1	107.77
568-456V	13-1/2	14	1/4	13.475 ±.070	.275 ±.006	1	108.11
568-457V	14	14-1/2	1/4	13.975 ±.070	.275 ±.006	1	114.96
568-458V	14-1/2	15	1/4	14.475 ±.070	.275 ±.006	1	116.34
568-459V	15	15-1/2	1/4	14.975 ±.070	.275 ±.006	1	120.68
568-460V	15-1/2	16	1/4	15.475 ±.070	.275 ±.006	1	122.60
568-464V	17-1/2	18	1/4	17.455 ±.085	.275 ±.006	1	85.10
568-465V	18	18-1/2	1/4	17.955 ±.085	.275 ±.006	1	175.92
568-466V	18-1/2	19	1/4	18.455 ±.085	.275 ±.006	1	178.34
568-468V	19-1/2	20	1/4	19.455 ±.090	.275 ±.006	1	189.85
568-473V	24	24-1/2	1/4	23.940 ±.110	.275 ±.006	1	232.80
568-475V	26	26-1/2	1/4	25.940 ±.120	.275 ±.006	1	271.82

O-RINGS

STYLE 568, 75 DURO FLUOROCARBON O-RINGS



HERCULES PART NUMBERS

568 - 007 V - BLACK
 Prefix Dash Number

SEAL INFORMATION

MATERIAL	BLACK FLUOROCARBON
TEMPERATURE RANGE	-20° TO +400° F
PRESSURE RANGE	VARIABLE ACCORDING TO DIAMETRICAL CLEARANCE

Part Number	A Nom. ID	B Nom. OD	C Nom. Ht	INSIDE DIAMETER	CROSS SECTION	Package Quantity	List Price
1/16" C/S							
568-007V-BLACK	5/32	9/32	1/16	.145 ±.005	.070 ±.003	40	\$0.63
568-008V-BLACK	3/16	5/16	1/16	.176 ±.005	.070 ±.003	40	0.60
568-010V-BLACK	1/4	3/8	1/16	.239 ±.005	.070 ±.003	30	0.60
568-011V-BLACK	5/16	7/16	1/16	.301 ±.005	.070 ±.003	30	0.60
568-012V-BLACK	3/8	1/2	1/16	.364 ±.005	.070 ±.003	20	0.63
568-014V-BLACK	1/2	5/8	1/16	.489 ±.005	.070 ±.003	20	0.67
568-015V-BLACK	9/16	11/16	1/16	.551 ±.007	.070 ±.003	20	0.80
568-016V-BLACK	5/8	3/4	1/16	.614 ±.009	.070 ±.003	20	0.80
568-020V-BLACK	7/8	1	1/16	.864 ±.009	.070 ±.003	20	0.49
568-021V-BLACK	15/16	1-1/16	1/16	.926 ±.009	.070 ±.003	20	0.51
568-032V-BLACK	1-7/8	2	1/16	1.864 ±.015	.070 ±.003	10	2.71
3/32" C/S							
568-110V-BLACK	3/8	9/16	3/32	.362 ±.005	.103 ±.003	15	\$0.67
568-111V-BLACK	7/16	5/8	3/32	.424 ±.005	.103 ±.003	15	0.70
568-112V-BLACK	1/2	11/16	3/32	.487 ±.005	.103 ±.003	15	0.84
568-113V-BLACK	9/16	3/4	3/32	.549 ±.005	.103 ±.003	15	0.84
568-114V-BLACK	5/8	13/16	3/32	.612 ±.009	.103 ±.003	15	1.00
568-115V-BLACK	11/16	7/8	3/32	.674 ±.009	.103 ±.003	15	1.03
568-116V-BLACK	3/4	15/16	3/32	.737 ±.009	.103 ±.003	10	1.14
568-119V-BLACK	15/16	1-1/8	3/32	.924 ±.010	.103 ±.003	10	1.55
568-125V-BLACK	1-5/16	1-1/2	3/32	1.299 ±.012	.103 ±.003	5	1.55
568-129V-BLACK	1-9/16	1-3/4	3/32	1.549 ±.015	.103 ±.003	5	2.72
568-136V-BLACK	2	2-3/16	3/32	1.987 ±.017	.103 ±.003	3	3.47
568-145V-BLACK	2-9/16	2-3/4	3/32	2.550 ±.020	.103 ±.003	2	4.52
568-146V-BLACK	2-5/8	2-13/16	3/32	2.612 ±.020	.103 ±.003	2	6.80
568-151V-BLACK	3	3-3/16	3/32	2.987 ±.024	.103 ±.003	2	7.36
568-162V-BLACK	5-3/4	5-15/16	3/32	5.737 ±.035	.103 ±.003	2	15.03
568-163V-BLACK	6	6-3/16	3/32	5.987 ±.035	.103 ±.003	2	17.24
1/8" C/S							
568-208V-BLACK	5/8	7/8	1/8	.609 ±.009	.139 ±.004	5	\$1.63
568-210V-BLACK	3/4	1	1/8	.734 ±.010	.139 ±.004	5	1.70
568-211V-BLACK	13/16	1-1/16	1/8	.796 ±.010	.139 ±.004	5	3.00
568-213V-BLACK	15/16	1-3/16	1/8	.921 ±.010	.139 ±.004	5	2.13
568-214V-BLACK	1	1-1/4	1/8	.984 ±.010	.139 ±.004	5	2.28
568-218V-BLACK	1-1/4	1-1/2	1/8	1.234 ±.012	.139 ±.004	5	2.92
568-220V-BLACK	1-3/8	1-5/8	1/8	1.359 ±.012	.139 ±.004	3	3.01
568-222V-BLACK	1-1/2	1-3/4	1/8	1.484 ±.015	.139 ±.004	3	3.79
568-228V-BLACK	2-1/4	2-1/2	1/8	2.234 ±.020	.139 ±.004	3	5.51
568-231V-BLACK	2-5/8	2-7/8	1/8	2.609 ±.020	.139 ±.004	2	7.46
568-233V-BLACK	2-7/8	3-1/8	1/8	2.859 ±.024	.139 ±.004	2	10.67
568-236V-BLACK	3-1/4	3-1/2	1/8	3.234 ±.024	.139 ±.004	2	8.89
568-237V-BLACK	3-3/8	3-5/8	1/8	3.359 ±.024	.139 ±.004	2	9.26

O-RINGS

STYLE 568, 75 DURO FLUOROCARBON O-RINGS

Part Number	A Nom. ID	B Nom. OD	C Nom. Ht	INSIDE DIAMETER	CROSS SECTION	Package Quantity	List Price
568-238V-BLACK	3-1/2	3-3/4	1/8	3.484 ±.024	.139 ±.004	2	9.66
568-240V-BLACK	3-3/4	4	1/8	3.734 ±.028	.139 ±.004	1	10.20
568-241V-BLACK	3-7/8	4-1/8	1/8	3.859 ±.028	.139 ±.004	1	10.77
568-245V-BLACK	4-3/8	4-5/8	1/8	4.359 ±.030	.139 ±.004	1	18.81
568-248V-BLACK	4-3/4	5	1/8	4.734 ±.030	.139 ±.004	1	17.43
568-256V-BLACK	5-3/4	6	1/8	5.734 ±.035	.139 ±.004	1	17.93
3/16" C/S							
568-331V-BLACK	2-1/4	2-5/8	3/16	2.225 ±.018	.210 ±.005	1	\$17.53
568-334V-BLACK	2-5/8	3	3/16	2.600 ±.020	.210 ±.005	1	19.30
568-335V-BLACK	2-3/4	3-1/8	3/16	2.725 ±.020	.210 ±.005	1	20.40
568-336V-BLACK	2-7/8	3-1/4	3/16	2.850 ±.020	.210 ±.005	1	21.32
568-354V-BLACK	5-1/8	5-1/2	3/16	5.100 ±.037	.210 ±.005	1	28.14
568-360V-BLACK	5-7/8	6-1/4	3/16	5.850 ±.037	.210 ±.005	1	39.71
568-368V-BLACK	7-3/4	8-1/8	3/16	7.725 ±.045	.210 ±.005	1	56.85

STYLE 568, 75 DURO FLUOROCARBON O-RING CORD

NOTE: Cord is Black fluorocarbon.
See O-Ring Kit section for splicing Information.
Sold by the foot.

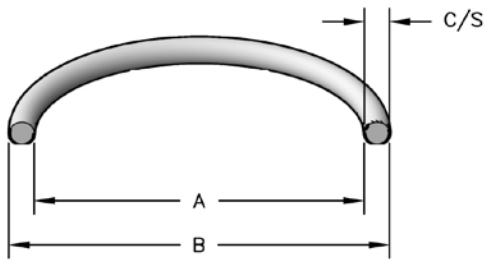
HERCULES PART NUMBERS



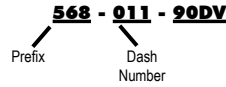
SEAL INFORMATION	
MATERIAL	BLACK FLUOROCARBON
TEMPERATURE RANGE	-20° TO +400° F
PRESSURE RANGE	VARIES ACCORDING TO DIAMETRAL CLEARANCE

Part Number	Nom. Cross Section	CROSS SECTION	List Price
568C-062V	1/16	.070 ±.006	\$5.11
568C-093V	3/32	.103 ±.007	6.06
568C-125V	1/8	.139 ±.007	9.33
568C-187V	3/16	.210 ±.008	15.55
568C-250V	1/4	.275 ±.008	26.42

STYLE 568, 90 DURO FLUOROCARBON O-RINGS



HERCULES PART NUMBERS



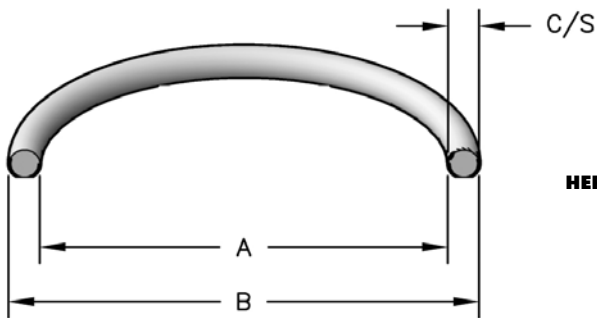
SEAL INFORMATION	
MATERIAL	FLUOROCARBON
TEMPERATURE RANGE	-20° TO +400° F
PRESSURE RANGE	VARIABLE ACCORDING TO DIAMETRAL CLEARANCE

Part Number	A Nom. ID	B Nom. OD	C Nom. Ht	INSIDE DIAMETER	CROSS SECTION	Package Quantity	List Price
1/16" C/S							
568-011-90DV	5/16	7/16	1/16	.301 ±.005	.070 ±.003	15	\$1.21
568-012-90DV	3/8	1/2	1/16	.364 ±.005	.070 ±.003	15	1.28
568-014-90DV	1/2	5/8	1/16	.489 ±.005	.070 ±.003	10	1.45
568-015-90DV	9/16	11/16	1/16	.551 ±.007	.070 ±.003	15	1.31
568-016-90DV	5/8	3/4	1/16	.614 ±.009	.070 ±.003	15	1.31
568-017-90DV	11/16	13/16	1/16	.676 ±.009	.070 ±.003	15	1.30
568-018-90DV	3/4	7/8	1/16	.739 ±.009	.070 ±.003	15	1.31
568-019-90DV	13/16	15/16	1/16	.801 ±.009	.070 ±.003	15	1.31
568-020-90DV	7/8	1	1/16	.864 ±.009	.070 ±.003	15	1.36
568-021-90DV	15/16	1-1/16	1/16	.926 ±.009	.070 ±.003	15	1.45
568-022-90DV	1	1-1/8	1/16	.989 ±.010	.070 ±.003	15	1.45
568-025-90DV	1-3/16	1-5/16	1/16	1.176 ±.011	.070 ±.003	15	1.77
.07" C/S							
568-040-90DV	2-7/8			2.864 ±.020	.070 ±.003		\$1.60
3/32" C/S							
568-109-90DV	5/16	1/2	3/32	.299 ±.005	.103 ±.003	15	\$1.54
568-111-90DV	7/16	5/8	3/32	.424 ±.005	.103 ±.003	15	1.54
568-113-90DV	9/16	3/4	3/32	.549 ±.005	.103 ±.003	15	1.54
568-121-90DV	1-1/16	1-1/4	3/32	1.049 ±.010	.103 ±.003	1	13.61
568-131-90DV	1-11/16	1-7/8	3/32	1.674 ±.015	.103 ±.003	1	3.21
568-159-90DV	5	5-3/16	3/32	4.987 ±.035	.103 ±.003	1	12.81
1/8" C/S							
568-214-90DV	1	1-1/4	1/8	.984 ±.010	.139 ±.004	3	\$4.02
568-215-90DV-BLACK	1-1/16	1-5/16	1/8	1.046 ±.010	.139 ±.004	1	2.42
568-218-90DV	1-1/4	1-1/2	1/8	1.234 ±.012	.139 ±.004	2	5.71
568-223-90DV	1-5/8	1-7/8	1/8	1.609 ±.015	.139 ±.004	2	5.99
568-224-90DV	1-3/4	2	1/8	1.734 ±.015	.139 ±.004	2	8.14
568-226-90DV	2	2-1/4	1/8	1.984 ±.018	.139 ±.004	2	10.16
568-227-90DV	2-1/8	2-3/8	1/8	2.109 ±.018	.139 ±.004	2	10.16
568-232-90DV	2-3/4	3	1/8	2.734 ±.024	.139 ±.004	3	4.36
568-233-90DV	2-7/8	3-1/8	1/8	2.859 ±.024	.139 ±.004	3	9.78
568-239-90DV	3-5/8	3-7/8	1/8	3.609 ±.028	.139 ±.004	2	10.35
568-240-90DV	3-3/4	4	1/8	3.734 ±.028	.139 ±.004	1	15.35
568-243-90DV	4-1/8	4-3/8	1/8	4.109 ±.028	.139 ±.004	1	14.45
568-246-90DV	4-1/2	4-3/4	1/8	4.484 ±.030	.139 ±.004	1	13.55
568-247-90DV	4-5/8	4-7/8	1/8	4.609 ±.030	.139 ±.004	1	13.95
568-252-90DV	5-1/4	5-1/2	1/8	5.234 ±.035	.139 ±.004	2	7.88
568-254-90DV	5-1/2	5-3/4	1/8	5.484 ±.035	.139 ±.004	1	16.73
568-260-90DV	6-1/2	6-3/4	1/8	6.484 ±.040	.139 ±.004	1	20.58
568-264-90DV	7-1/2	7-3/4	1/8	7.484 ±.045	.139 ±.004	1	23.13
568-272-90DV	9-1/2	9-3/4	1/8	9.484 ±.055	.139 ±.004	1	46.14
568-277-90DV	11-1/2	11-3/4	1/8	11.484 ±.065	.139 ±.004	1	50.42
3/16" C/S							
568-309-90DV-BLACK	7/16	13/16	3/16	.412 ±.005	.210 ±.005	2	\$4.43
568-334-90DV	2-5/8	3	3/16	2.600 ±.020	.210 ±.005	1	16.13
568-340-90DV	3-3/8	3-3/4	3/16	3.350 ±.024	.210 ±.005	2	5.75
568-363-90DV	6-1/2	6-7/8	3/16	6.475 ±.040	.210 ±.005	1	44.83
568-364-90DV	6-3/4	7-1/8	3/16	6.725 ±.040	.210 ±.005	1	45.09
568-385-90DV	16	16-3/8	3/16	15.955 ±.075	.210 ±.005	1	53.29

O-RINGS

FORMERLY LISTED REPAIR PARTS ARE AVAILABLE ONLINE AT WWW.HERCULESUS.COM
OR BY CONTACTING YOUR REGIONAL HERCULES SALES TEAM.

STYLE 568, 90 DURO FLUOROCARBON BOSS O-RINGS



HERCULES PART NUMBERS

568 - 901 V
 Prefix Dash Number

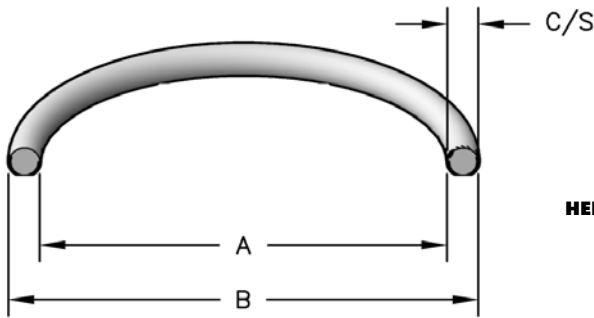
SEAL INFORMATION

MATERIAL	FLUOROCARBON
TEMPERATURE RANGE	-20° TO +400° F
PRESSURE RANGE	VARIES ACCORDING TO DIAMETRAL CLEARANCE

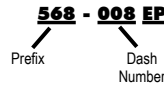
O-RINGS

Part Number	INSIDE DIAMETER	CROSS SECTION	Package Quantity	List Price
568-901V	.185 ±.005	.056 ±.003	10	\$1.47
568-902V	.239 ±.005	.064 ±.003	10	1.67
568-903V	.301 ±.005	.064 ±.003	10	1.68
568-904V	.351 ±.005	.072 ±.003	10	1.78
568-905V	.414 ±.005	.072 ±.003	10	1.83
568-906V	.468 ±.005	.078 ±.003	10	1.90
568-907V	.530 ±.005	.082 ±.003	10	2.03
568-908V	.644 ±.009	.087 ±.003	10	2.21
568-909V	.706 ±.009	.097 ±.003	10	2.80
568-910V	.755 ±.009	.097 ±.003	10	3.02
568-911V	.863 ±.009	.116 ±.004	5	3.52
568-912V	.924 ±.009	.116 ±.004	5	3.99
568-913V	.986 ±.010	.116 ±.004	5	3.79
568-914V	1.047 ±.010	.116 ±.004	3	5.05
568-916V	1.171 ±.010	.116 ±.004	3	5.39
568-918V	1.355 ±.012	.116 ±.004	3	5.65
568-920V	1.475 ±.012	.118 ±.004	3	6.60
568-924V	1.720 ±.014	.118 ±.004	2	9.27
568-924V-BLACK	1.720 ±.014	.118 ±.004	2	9.27
568-928V	2.090 ±.018	.118 ±.004	2	11.31
568-932V	2.337 ±.018	.118 ±.004	2	12.49

STYLE 568 70A & 90A DURO ETHYLENE PROPYLENE O-RINGS



HERCULES PART NUMBERS

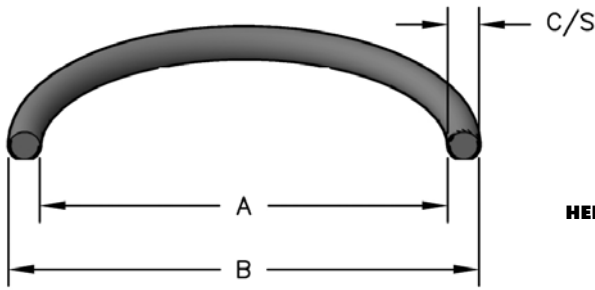


SEAL INFORMATION	
MATERIAL	ETHYLENE PROPYLENE
TEMPERATURE RANGE	-65° TO +300° F
PRESSURE RANGE	VARIABLE ACCORDING TO DIAMETRICAL CLEARANCE

NOTE: This compound is NOT D.O.T. certified for brake system use.

Part Number	A Nom. ID	B Nom. OD	C Nom. Ht	INSIDE DIAMETER	CROSS SECTION	Package Quantity	List Price
1/16" C/S							
568-008EP	3/16	5/16	1/16	.176 ±.005	.070 ±.003	14	\$0.90
568-010EP	1/4	3/8	1/16	.239 ±.005	.070 ±.003	12	1.00
568-011EP	5/16	7/16	1/16	.301 ±.005	.070 ±.003	12	1.08
568-012EP	3/8	1/2	1/16	.364 ±.005	.070 ±.003	12	1.14
568-013EP	7/16	9/16	1/16	.426 ±.005	.070 ±.003	8	1.53
568-014EP	1/2	5/8	1/16	.489 ±.005	.070 ±.003	6	1.54
568-015EP	9/16	11/16	1/16	.551 ±.007	.070 ±.003	10	1.54
568-018EP	3/4	7/8	1/16	.739 ±.009	.070 ±.003	6	1.78
3/32" C/S							
568-110EP	3/8	9/16	3/32	.362 ±.005	.103 ±.003	10	\$1.20
568-111EP	7/16	5/8	3/32	.424 ±.005	.103 ±.003	10	1.27
568-112EP	1/2	11/16	3/32	.487 ±.005	.103 ±.003	8	1.31
568-113EP	9/16	3/4	3/32	.549 ±.005	.103 ±.003	8	1.37
568-114EP	5/8	13/16	3/32	.612 ±.009	.103 ±.003	8	1.47
568-115EP	11/16	7/8	3/32	.674 ±.009	.103 ±.003	8	1.48
568-116EP	3/4	15/16	3/32	.737 ±.009	.103 ±.003	8	1.54
568-126-90DEP	1-3/8	1-9/16	3/32	1.362 ±.012	.103 ±.003	5	1.06
1/8" C/S							
568-210EP	3/4	1	1/8	.734 ±.010	.139 ±.004	8	\$1.63
568-212EP	7/8	1-1/8	1/8	.859 ±.010	.139 ±.004	5	1.78
568-214EP	1	1-1/4	1/8	.984 ±.010	.139 ±.004	6	1.98
568-215EP	1-1/16	1-5/16	1/8	1.046 ±.010	.139 ±.004	6	2.04
568-218EP	1-1/4	1-1/2	1/8	1.234 ±.012	.139 ±.004	5	2.20
568-220EP	1-3/8	1-5/8	1/8	1.359 ±.012	.139 ±.004	5	2.34
568-222EP	1-1/2	1-3/4	1/8	1.484 ±.015	.139 ±.004	5	2.42
568-238EP	3-1/2	3-3/4	1/8	3.484 ±.024	.139 ±.004	1	4.02
568-244EP	4-1/4	4-1/2	1/8	4.234 ±.030	.139 ±.004	3	3.53
568-248EP	4-3/4	5	1/8	4.734 ±.030	.139 ±.004	3	4.89
3/16" C/S							
568-327EP	1-3/4	2-1/8	3/16	1.725 ±.015	.210 ±.005	5	\$2.62
568-352EP	4-7/8	5-1/4	3/16	4.850 ±.030	.210 ±.005	5	2.35
1/4" C/S							
568-426EP	4-5/8	5-1/8	1/4	4.600 ±.033	.275 ±.006	5	\$3.83

STYLE 568, 70A DURO SILICONE O-RINGS



HERCULES PART NUMBERS

568 - 008 S
 Prefix Dash Number

SEAL INFORMATION

MATERIAL	SILICONE
TEMPERATURE RANGE	-70° TO +400° F
PRESSURE RANGE	VARIABLE ACCORDING TO DIAMETRICAL CLEARANCE

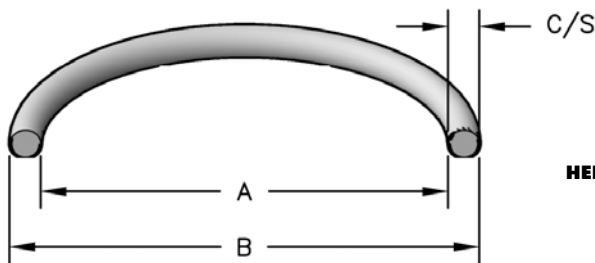
O-RINGS

Part Number	A Nom. ID	B Nom. OD	C Nom. Ht	INSIDE DIAMETER	CROSS SECTION	Package Quantity	List Price
1/16" C/S							
568-008S	3/16	5/16	1/16	.176 ±.005	.070 ±.003	50	\$0.97
568-010S	1/4	3/8	1/16	.239 ±.005	.070 ±.003	20	1.10
568-011S	5/16	7/16	1/16	.301 ±.005	.070 ±.003	20	1.13
568-012S	3/8	1/2	1/16	.364 ±.005	.070 ±.003	20	1.13
568-013S	7/16	9/16	1/16	.426 ±.005	.070 ±.003	20	1.13
568-014S	1/2	5/8	1/16	.489 ±.005	.070 ±.003	12	1.11
568-015S	9/16	11/16	1/16	.551 ±.007	.070 ±.003	20	1.17
568-016S	5/8	3/4	1/16	.614 ±.009	.070 ±.003	12	1.20
568-018S	3/4	7/8	1/16	.739 ±.009	.070 ±.003	12	1.20
568-025S	1-3/16	1-5/16	1/16	1.176 ±.011	.070 ±.003	11	1.20
568-028S	1-3/8	1-1/2	1/16	1.364 ±.013	.070 ±.003	11	2.46
568-042S	3-1/4	3-3/8	1/16	3.239 ±.024	.070 ±.003	10	1.54
3/32" C/S							
568-108S	1/4	7/16	3/32	.237 ±.005	.103 ±.003	12	\$0.97
568-110S	3/8	9/16	3/32	.362 ±.005	.103 ±.003	12	1.06
568-111S	7/16	5/8	3/32	.424 ±.005	.103 ±.003	12	1.10
568-112S	1/2	11/16	3/32	.487 ±.005	.103 ±.003	12	1.48
568-113S	9/16	3/4	3/32	.549 ±.005	.103 ±.003	14	0.97
568-115S	11/16	7/8	3/32	.674 ±.009	.103 ±.003	13	1.10
568-116S	3/4	15/16	3/32	.737 ±.009	.103 ±.003	12	1.13
568-117S	13/16	1	3/32	.799 ±.010	.103 ±.003	11	1.20
568-118S	7/8	1-1/16	3/32	.862 ±.010	.103 ±.003	10	1.33
568-120S	1	1-3/16	3/32	.987 ±.010	.103 ±.003	8	1.40
1/8" C/S							
568-210S	3/4	1	1/8	.734 ±.010	.139 ±.004	10	\$1.50
568-211S	13/16	1-1/16	1/8	.796 ±.010	.139 ±.004	9	1.51
568-212S	7/8	1-1/8	1/8	.859 ±.010	.139 ±.004	8	1.80
568-213S	15/16	1-3/16	1/8	.921 ±.010	.139 ±.004	7	1.95
568-214S	1	1-1/4	1/8	.984 ±.010	.139 ±.004	7	2.11
568-215S	1-1/16	1-5/16	1/8	1.046 ±.010	.139 ±.004	6	2.37
568-216S	1-1/8	1-3/8	1/8	1.109 ±.012	.139 ±.004	6	2.37
568-218S	1-1/4	1-1/2	1/8	1.234 ±.012	.139 ±.004	6	2.57
568-219S	1-5/16	1-9/16	1/8	1.296 ±.012	.139 ±.004	6	2.62
568-220S	1-3/8	1-5/8	1/8	1.359 ±.012	.139 ±.004	5	2.71
568-222S	1-1/2	1-3/4	1/8	1.484 ±.015	.139 ±.004	8	3.31
568-223S	1-5/8	1-7/8	1/8	1.609 ±.015	.139 ±.004	5	3.42
568-224S	1-3/4	2	1/8	1.734 ±.015	.139 ±.004	5	3.64
568-226S	2	2-1/4	1/8	1.984 ±.018	.139 ±.004	4	3.84
568-227S	2-1/8	2-3/8	1/8	2.109 ±.018	.139 ±.004	4	3.97
568-228S	2-1/4	2-1/2	1/8	2.234 ±.020	.139 ±.004	4	4.09
568-231S	2-5/8	2-7/8	1/8	2.609 ±.020	.139 ±.004	3	4.96

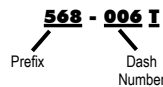
STYLE 568, 70A DURO SILICONE O-RINGS

Part Number	A Nom. ID	B Nom. OD	C Nom. Ht	INSIDE DIAMETER	CROSS SECTION	Package Quantity	List Price
568-232S	2-3/4	3	1/8	2.734 ±.024	.139 ±.004	3	5.13
568-238S	3-1/2	3-3/4	1/8	3.484 ±.024	.139 ±.004	3	6.00
568-239S	3-5/8	3-7/8	1/8	3.609 ±.028	.139 ±.004	2	6.96
568-240S	3-3/4	4	1/8	3.734 ±.028	.139 ±.004	2	7.13
568-248S	4-3/4	5	1/8	4.734 ±.030	.139 ±.004	2	10.87
568-258S	6	6-1/4	1/8	5.984 ±.035	.139 ±.004	5	2.31
568-265S	7-3/4	8	1/8	7.734 ±.045	.139 ±.004	1	9.04
3/16" C/S							
568-320S	1-1/8	1-1/2	3/16	1.100 ±.012	.210 ±.005	5	\$2.81
568-325S	1-1/2	1-7/8	3/16	1.475 ±.015	.210 ±.005	4	3.64
568-326S	1-5/8	2	3/16	1.600 ±.015	.210 ±.005	4	3.89
568-329S	2	2-3/8	3/16	1.975 ±.018	.210 ±.005	3	4.72
568-332S	2-3/8	2-3/4	3/16	2.350 ±.018	.210 ±.005	5	4.84
568-334S	2-5/8	3	3/16	2.600 ±.020	.210 ±.005	3	5.32
568-367S	7-1/2	7-7/8	3/16	7.475 ±.045	.210 ±.005	1	16.56
1/4" C/S							
568-445S	8	8-1/2	1/4	7.975 ±.045	.275 ±.006	1	\$56.05

STYLE 568, 55 - 58 SHORE D PTFE O-RING



HERCULES PART NUMBERS



SEAL INFORMATION

MATERIAL	55 - 58 SHORE D PTFE
TEMPERATURE RANGE	-100° TO +500° F
PRESSURE RANGE	VARIABLE ACCORDING TO DIAMETRAL CLEARANCE

Part Number	A Nom. ID	B Nom. OD	C Nom. Ht	INSIDE DIAMETER	CROSS SECTION	Package Quantity	List Price
1/16" C/S							
568-006T	1/8	1/4	1/16	.114 ±.005	.070 ±.003	7	\$3.01
568-009T	7/32	11/32	1/16	.208 ±.005	.070 ±.003	6	3.67
568-010T	1/4	3/8	1/16	.239 ±.005	.070 ±.003	5	3.67
568-011T	5/16	7/16	1/16	.301 ±.005	.070 ±.003	5	3.67
568-012T	3/8	1/2	1/16	.364 ±.005	.070 ±.003	5	4.98
568-013T	7/16	9/16	1/16	.426 ±.005	.070 ±.003	6	3.89
568-014T	1/2	5/8	1/16	.489 ±.005	.070 ±.003	5	4.19
568-015T	9/16	11/16	1/16	.551 ±.007	.070 ±.003	5	4.42
568-016T	5/8	3/4	1/16	.614 ±.009	.070 ±.003	4	5.92
568-018T	3/4	7/8	1/16	.739 ±.009	.070 ±.003	4	5.63
568-020T	7/8	1	1/16	.864 ±.009	.070 ±.003	4	6.00
568-021T	15/16	1-1/16	1/16	.926 ±.009	.070 ±.003	3	7.02

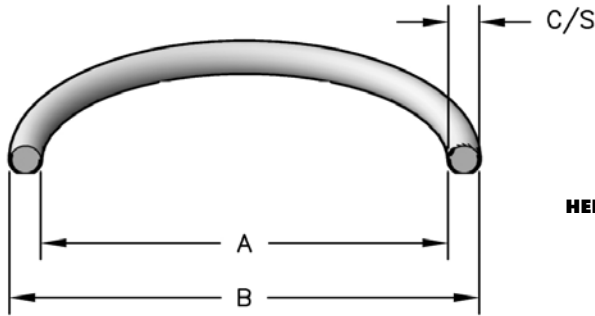
STYLE 568, 55 - 58 SHORE D PTFE O-RING

O-RINGS

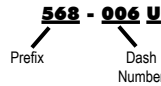
Part Number	A Nom. ID	B Nom. OD	C Nom. Ht	INSIDE DIAMETER	CROSS SECTION	Package Quantity	List Price
568-022T	1	1-1/8	1/16	.989 ±010	.070 ±003	3	7.02
568-023T	1-1/16	1-3/16	1/16	1.051 ±010	.070 ±003	3	7.10
568-024T	1-1/8	1-1/4	1/16	1.114 ±010	.070 ±003	3	7.10
568-026T	1-1/4	1-3/8	1/16	1.239 ±011	.070 ±003	3	9.17
568-028T	1-3/8	1-1/2	1/16	1.364 ±013	.070 ±003	2	10.28
568-029T	1-1/2	1-5/8	1/16	1.489 ±013	.070 ±003	2	11.17
568-030T	1-5/8	1-3/4	1/16	1.614 ±013	.070 ±003	2	11.17
568-032T	1-7/8	2	1/16	1.864 ±015	.070 ±003	2	11.72
568-044T	3-3/4	3-7/8	1/16	3.739 ±027	.070 ±003	1	15.36
3/32" C/S							
568-109T	5/16	1/2	3/32	.299 ±005	.103 ±003	5	\$4.69
568-110T	3/8	9/16	3/32	.362 ±005	.103 ±003	5	4.69
568-111T	7/16	5/8	3/32	.424 ±005	.103 ±003	5	4.69
568-112T	1/2	11/16	3/32	.487 ±005	.103 ±003	4	5.16
568-114T	5/8	13/16	3/32	.612 ±009	.103 ±003	4	5.21
568-115T	11/16	7/8	3/32	.674 ±009	.103 ±003	4	5.21
568-116T	3/4	15/16	3/32	.737 ±009	.103 ±003	4	5.92
568-117T	13/16	1	3/32	.799 ±010	.103 ±003	4	6.90
568-121T	1-1/16	1-1/4	3/32	1.049 ±010	.103 ±003	4	10.93
568-122T	1-1/8	1-5/16	3/32	1.112 ±010	.103 ±003	4	10.93
568-126T	1-3/8	1-9/16	3/32	1.362 ±012	.103 ±003	3	8.89
568-130T	1-5/8	1-13/16	3/32	1.612 ±015	.103 ±003	4	5.95
568-132T	1-3/4	1-15/16	3/32	1.737 ±015	.103 ±003	2	10.55
568-133T	1-13/16	2	3/32	1.799 ±015	.103 ±003	2	10.81
568-137T	2-1/16	2-1/4	3/32	2.050 ±017	.103 ±003	2	14.52
568-142T	2-3/8	2-9/16	3/32	2.362 ±020	.103 ±003	2	17.79
1/8" C/S							
568-210T	3/4	1	1/8	.734 ±010	.139 ±004	3	\$6.22
568-212T	7/8	1-1/8	1/8	.859 ±010	.139 ±004	2	11.94
568-213T	15/16	1-3/16	1/8	.921 ±010	.139 ±004	3	7.73
568-214T	1	1-1/4	1/8	.984 ±010	.139 ±004	3	7.73
568-215T	1-1/16	1-5/16	1/8	1.046 ±010	.139 ±004	3	7.97
568-218T	1-1/4	1-1/2	1/8	1.234 ±012	.139 ±004	1	12.05
568-219T	1-5/16	1-9/16	1/8	1.296 ±012	.139 ±004	2	12.05
568-220T	1-3/8	1-5/8	1/8	1.359 ±012	.139 ±004	2	13.39
568-223T	1-5/8	1-7/8	1/8	1.609 ±015	.139 ±004	2	16.89
568-224T	1-3/4	2	1/8	1.734 ±015	.139 ±004	2	16.89
568-225T	1-7/8	2-1/8	1/8	1.859 ±018	.139 ±004	2	17.79
568-226T	2	2-1/4	1/8	1.984 ±018	.139 ±004	2	17.79
568-228T	2-1/4	2-1/2	1/8	2.234 ±020	.139 ±004	1	19.68
568-229T	2-3/8	2-5/8	1/8	2.359 ±020	.139 ±004	1	19.68
568-231T	2-5/8	2-7/8	1/8	2.609 ±020	.139 ±004	1	20.11
568-232T	2-3/4	3	1/8	2.734 ±024	.139 ±004	1	21.11
568-234T	3	3-1/4	1/8	2.984 ±024	.139 ±004	1	21.98
568-235T	3-1/8	3-3/8	1/8	3.109 ±024	.139 ±004	1	22.69
568-236T	3-1/4	3-1/2	1/8	3.234 ±024	.139 ±004	1	22.92
568-240T	3-3/4	4	1/8	3.734 ±028	.139 ±004	1	25.07
568-242T	4	4-1/4	1/8	3.984 ±028	.139 ±004	1	27.38
568-248T	4-3/4	5	1/8	4.734 ±030	.139 ±004	1	46.84
568-258T	6	6-1/4	1/8	5.984 ±035	.139 ±004	1	103.08
568-273T	9-3/4	10	1/8	9.734 ±055	.139 ±004	1	165.86
3/16" C/S							
568-326T	1-5/8	2	3/16	1.600 ±015	.210 ±005	1	\$23.45
568-327T	1-3/4	2-1/8	3/16	1.725 ±015	.210 ±005	1	23.45
568-342T	3-5/8	4	3/16	3.600 ±028	.210 ±005	1	41.56

STYLE 568, 90 DURO URETHANE O-RINGS

O-RINGS



HERCULES PART NUMBERS



SEAL INFORMATION	
MATERIAL	90A URETHANE
TEMPERATURE RANGE	-65° TO +220° F
PRESSURE RANGE	VARIABLE ACCORDING TO DIAMETRAL CLEARANCE

Part Number	A Nom. ID	B Nom. OD	C Nom. Ht	INSIDE DIAMETER	CROSS SECTION	Package Quantity	List Price
1/16" C/S							
568-005U	3/32	7/32	1/16	.101 ±.005	.070 ±.003	4	\$3.46
568-006U	1/8	1/4	1/16	.114 ±.005	.070 ±.003	4	3.94
568-008U	3/16	5/16	1/16	.176 ±.005	.070 ±.003	3	4.89
568-009U	7/32	11/32	1/16	.208 ±.005	.070 ±.003	3	4.96
568-010U	1/4	3/8	1/16	.239 ±.005	.070 ±.003	3	5.02
568-011U	5/16	7/16	1/16	.301 ±.005	.070 ±.003	3	5.08
568-012U	3/8	1/2	1/16	.364 ±.005	.070 ±.003	3	5.15
568-013U	7/16	9/16	1/16	.426 ±.005	.070 ±.003	3	5.19
568-014U	1/2	5/8	1/16	.489 ±.005	.070 ±.003	3	5.19
568-014U-70D	1/2	5/8	1/16	.489 ±.005	.070 ±.003	3	5.19
568-015U	9/16	11/16	1/16	.551 ±.007	.070 ±.003	1	5.22
568-016U	5/8	3/4	1/16	.614 ±.009	.070 ±.003	3	5.22
568-016U-70D	5/8	3/4	1/16	.614 ±.009	.070 ±.003	3	7.19
568-017U	11/16	13/16	1/16	.676 ±.009	.070 ±.003	3	5.38
568-018U	3/4	7/8	1/16	.739 ±.009	.070 ±.003	3	5.51
568-019U	13/16	15/16	1/16	.801 ±.009	.070 ±.003	3	5.61
568-020U	7/8	1	1/16	.864 ±.009	.070 ±.003	3	5.56
568-022U	1	1-1/8	1/16	.989 ±.010	.070 ±.003	3	7.32
568-023U	1-1/16	1-3/16	1/16	1.051 ±.010	.070 ±.003	3	7.32
568-031U	1-3/4	1-7/8	1/16	1.739 ±.015	.070 ±.003	2	10.38
3/32" C/S							
568-110U	3/8	9/16	3/32	.362 ±.005	.103 ±.003	2	\$6.46
568-111U	7/16	5/8	3/32	.424 ±.005	.103 ±.003	2	6.46
568-112U	1/2	11/16	3/32	.487 ±.005	.103 ±.003	3	6.46
568-113U	9/16	3/4	3/32	.549 ±.005	.103 ±.003	2	8.99
568-114U	5/8	13/16	3/32	.612 ±.009	.103 ±.003	2	8.07
568-115U	11/16	7/8	3/32	.674 ±.009	.103 ±.003	2	8.07
568-116U	3/4	15/16	3/32	.737 ±.009	.103 ±.003	2	9.81
568-117U	13/16	1	3/32	.799 ±.010	.103 ±.003	2	10.37
568-118U	7/8	1-1/16	3/32	.862 ±.010	.103 ±.003	2	11.74
568-119U	15/16	1-1/8	3/32	.924 ±.010	.103 ±.003	2	11.74
568-120U	1	1-3/16	3/32	.987 ±.010	.103 ±.003	2	12.52
568-121U	1-1/16	1-1/4	3/32	1.049 ±.010	.103 ±.003	2	12.52
568-122U	1-1/8	1-5/16	3/32	1.112 ±.010	.103 ±.003	2	12.52
568-123U	1-3/16	1-3/8	3/32	1.174 ±.012	.103 ±.003	2	13.69
568-124U	1-1/4	1-7/16	3/32	1.237 ±.012	.103 ±.003	2	13.69
568-130U	1-5/8	1-13/16	3/32	1.612 ±.015	.103 ±.003	1	7.47
568-131U	1-11/16	1-7/8	3/32	1.674 ±.015	.103 ±.003	2	18.10
568-132U	1-3/4	1-15/16	3/32	1.737 ±.015	.103 ±.003	1	8.10
568-133U	1-13/16	2	3/32	1.799 ±.015	.103 ±.003	2	18.10
568-134U	1-7/8	2-1/16	3/32	1.862 ±.015	.103 ±.003	1	18.10
568-136U	2	2-3/16	3/32	1.987 ±.017	.103 ±.003	1	8.97

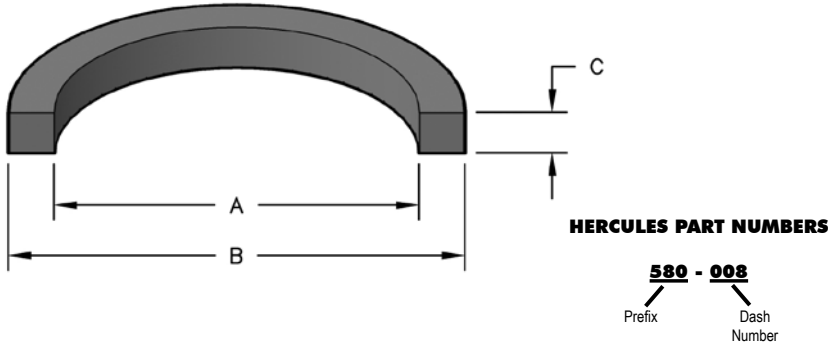
STYLE 568, 90 DURO URETHANE O-RINGS

O-RINGS

Part Number	A Nom. ID	B Nom. OD	C Nom. Ht	INSIDE DIAMETER	CROSS SECTION	Package Quantity	List Price
568-136U-70D	2	2-3/16	3/32	1.987 ±.017	.103 ±.003	2	18.78
568-137U	2-1/16	2-1/4	3/32	2.050 ±.017	.103 ±.003	2	8.99
568-148U	2-3/4	2-15/16	3/32	2.737 ±.022	.103 ±.003	1	19.45
1/8" C/S							
568-206U	1/2	3/4	1/8	.484 ±.005	.139 ±.004	3	\$6.49
568-210U	3/4	1	1/8	.734 ±.010	.139 ±.004	3	8.34
568-211U	13/16	1-1/16	1/8	.796 ±.010	.139 ±.004	2	8.34
568-212U	7/8	1-1/8	1/8	.859 ±.010	.139 ±.004	2	4.54
568-213U	15/16	1-3/16	1/8	.921 ±.010	.139 ±.004	2	8.49
568-216U	1-1/8	1-3/8	1/8	1.109 ±.012	.139 ±.004	2	9.01
568-218U	1-1/4	1-1/2	1/8	1.234 ±.012	.139 ±.004	2	9.01
568-219U	1-5/16	1-9/16	1/8	1.296 ±.012	.139 ±.004	2	10.75
568-220U	1-3/8	1-5/8	1/8	1.359 ±.012	.139 ±.004	2	15.66
568-221U	1-7/16	1-11/16	1/8	1.421 ±.012	.139 ±.004	2	11.42
568-222U	1-1/2	1-3/4	1/8	1.484 ±.015	.139 ±.004	2	11.42
568-223U	1-5/8	1-7/8	1/8	1.609 ±.015	.139 ±.004	2	16.67
568-224U	1-3/4	2	1/8	1.734 ±.015	.139 ±.004	2	16.67
568-225U	1-7/8	2-1/8	1/8	1.859 ±.018	.139 ±.004	1	17.84
568-226U	2	2-1/4	1/8	1.984 ±.018	.139 ±.004	2	17.84
568-227U	2-1/8	2-3/8	1/8	2.109 ±.018	.139 ±.004	2	17.84
568-228U	2-1/4	2-1/2	1/8	2.234 ±.020	.139 ±.004	2	17.84
568-230U	2-1/2	2-3/4	1/8	2.484 ±.020	.139 ±.004	2	18.27
568-232U	2-3/4	3	1/8	2.734 ±.024	.139 ±.004	2	19.26
568-233U	2-7/8	3-1/8	1/8	2.859 ±.024	.139 ±.004	1	19.26
568-234U	3	3-1/4	1/8	2.984 ±.024	.139 ±.004	1	19.26
568-235U	3-1/8	3-3/8	1/8	3.109 ±.024	.139 ±.004	1	23.52
568-236U	3-1/4	3-1/2	1/8	3.234 ±.024	.139 ±.004	1	24.08
568-238U	3-1/2	3-3/4	1/8	3.484 ±.024	.139 ±.004	1	29.88
568-240U	3-3/4	4	1/8	3.734 ±.028	.139 ±.004	1	29.88
568-242U	4	4-1/4	1/8	3.984 ±.028	.139 ±.004	1	35.73
568-244U	4-1/4	4-1/2	1/8	4.234 ±.030	.139 ±.004	1	54.20
568-248U	4-3/4	5	1/8	4.734 ±.030	.139 ±.004	1	58.09
568-254U	5-1/2	5-3/4	1/8	5.484 ±.035	.139 ±.004	1	26.34
568-256U	5-3/4	6	1/8	5.734 ±.035	.139 ±.004	1	47.55
568-260U	6-1/2	6-3/4	1/8	6.484 ±.040	.139 ±.004	1	101.14
3/16" C/S							
568-326U	1-5/8	2	3/16	1.600 ±.015	.210 ±.005	1	\$8.79
568-327U	1-3/4	2-1/8	3/16	1.725 ±.015	.210 ±.005	1	13.06
568-328U	1-7/8	2-1/4	3/16	1.850 ±.015	.210 ±.005	1	14.08
568-329U	2	2-3/8	3/16	1.975 ±.018	.210 ±.005	1	25.33
568-330U	2-1/8	2-1/2	3/16	2.100 ±.018	.210 ±.005	1	16.37
568-331U	2-1/4	2-5/8	3/16	2.225 ±.018	.210 ±.005	1	18.76
568-332U	2-3/8	2-3/4	3/16	2.350 ±.018	.210 ±.005	1	18.76
568-335U	2-3/4	3-1/8	3/16	2.725 ±.020	.210 ±.005	1	30.81
568-336U	2-7/8	3-1/4	3/16	2.850 ±.020	.210 ±.005	1	35.87
568-337U	3	3-3/8	3/16	2.975 ±.024	.210 ±.005	1	36.54
568-348U	4-3/8	4-3/4	3/16	4.350 ±.030	.210 ±.005	1	36.03

Seal color may vary. Special order sizes are available. Sizes not shown and out of stock items can also be ordered for next day delivery through Seals On Demand, our custom seal program. Please call your regional sales team for assistance.

STYLE 580, SQUARE BUNA-N O-RINGS



SEAL INFORMATION	
MATERIAL	BUNA-N RUBBER
TEMPERATURE RANGE	-40° TO +240° F
PRESSURE RANGE	VARIABLE ACCORDING TO DIAMETRICAL CLEARANCE
SPEED	3 FT/SEC

Part Number	A Nom. ID	B Nom. OD	INSIDE DIAMETER	C HEIGHT	CROSS SECTION	Package Quantity	List Price
1/16" C/S							
580-008	3/16	5/16	.176 ±.005	.066 ±.005	.066 ±.005	10	\$1.30
580-012	3/8	1/2	.364 ±.005	.066 ±.005	.066 ±.005	50	0.39
580-014	1/2	5/8	.489 ±.005	.066 ±.005	.066 ±.005	38	0.36
580-015	9/16	11/16	.551 ±.007	.066 ±.005	.066 ±.005	50	0.36
580-016	5/8	3/4	.614 ±.009	.066 ±.005	.066 ±.005	38	0.36
580-017	11/16	13/16	.676 ±.009	.066 ±.005	.066 ±.005	30	0.41
580-019	13/16	15/16	.801 ±.009	.066 ±.005	.066 ±.005	30	0.43
580-021	15/16	1-1/16	.926 ±.009	.066 ±.005	.066 ±.005	25	0.47
580-022	1	1-1/8	.989 ±.010	.066 ±.005	.066 ±.005	29	0.47
580-025	1-3/16	1-5/16	1.176 ±.011	.066 ±.005	.066 ±.005	25	0.53
580-026	1-1/4	1-3/8	1.239 ±.011	.066 ±.005	.066 ±.005	24	0.53
580-028	1-3/8	1-1/2	1.364 ±.013	.066 ±.005	.066 ±.005	25	0.53
580-029	1-1/2	1-5/8	1.489 ±.013	.066 ±.005	.066 ±.005	25	0.53
580-032	1-7/8	2	1.864 ±.015	.066 ±.005	.066 ±.005	15	0.98
580-033	2	2-1/8	1.989 ±.018	.066 ±.005	.066 ±.005	15	0.98
580-034	2-1/8	2-1/4	2.114 ±.018	.066 ±.005	.066 ±.005	15	0.98
580-035	2-1/4	2-3/8	2.239 ±.018	.066 ±.005	.066 ±.005	15	1.13
580-036	2-3/8	2-1/2	2.364 ±.018	.066 ±.005	.066 ±.005	13	1.13
580-037	2-1/2	2-5/8	2.489 ±.018	.066 ±.005	.066 ±.005	13	1.13
580-038	2-5/8	2-3/4	2.614 ±.020	.066 ±.005	.066 ±.005	13	1.13
580-039	2-3/4	2-7/8	2.739 ±.020	.066 ±.005	.066 ±.005	12	1.17
580-040	2-7/8	3	2.864 ±.020	.066 ±.005	.066 ±.005	12	1.26
580-041	3	3-1/8	2.989 ±.024	.066 ±.005	.066 ±.005	9	1.50
580-042	3-1/4	3-3/8	3.239 ±.024	.066 ±.005	.066 ±.005	9	1.50
580-043	3-1/2	3-5/8	3.489 ±.024	.066 ±.005	.066 ±.005	9	1.57
580-044	3-3/4	3-7/8	3.739 ±.027	.066 ±.005	.066 ±.005	9	1.57
580-045	4	4-1/8	3.989 ±.027	.066 ±.005	.066 ±.005	8	1.78
580-046	4-1/4	4-3/8	4.239 ±.030	.066 ±.005	.066 ±.005	7	1.98
580-047	4-1/2	4-5/8	4.489 ±.030	.066 ±.005	.066 ±.005	7	2.11
3/32" C/S							
580-110	3/8	9/16	.362 ±.005	.099 ±.005	.099 ±.005	23	\$0.53
580-113	9/16	3/4	.549 ±.005	.099 ±.005	.099 ±.005	13	1.03
580-115	11/16	7/8	.674 ±.009	.099 ±.005	.099 ±.005	14	1.03
580-116	3/4	15/16	.737 ±.009	.099 ±.005	.099 ±.005	35	0.78
580-117	13/16	1	.799 ±.010	.099 ±.005	.099 ±.005	30	0.46
580-118	7/8	1-1/16	.862 ±.010	.099 ±.005	.099 ±.005	30	0.43
580-119	15/16	1-1/8	.924 ±.010	.099 ±.005	.099 ±.005	13	0.47
580-120	1	1-3/16	.987 ±.010	.099 ±.005	.099 ±.005	27	0.49
580-121	1-1/16	1-1/4	1.049 ±.010	.099 ±.005	.099 ±.005	25	0.49
580-122	1-1/8	1-5/16	1.112 ±.010	.099 ±.005	.099 ±.005	25	0.98

O-RINGS

STYLE 580, SQUARE BUNA-N O-RINGS

O-RINGS

Part Number	A Nom. ID	B Nom. OD	INSIDE DIAMETER	C HEIGHT	CROSS SECTION	Package Quantity	List Price
580-123	1-3/16	1-3/8	1.174 ±0.012	.099 ±0.005	.099 ±0.005	12	1.17
580-124	1-1/4	1-7/16	1.237 ±0.012	.099 ±0.005	.099 ±0.005	12	1.26
580-125	1-5/16	1-1/2	1.299 ±0.012	.099 ±0.005	.099 ±0.005	12	1.26
580-125-90D	1-5/16	1-1/2	1.299 ±0.012	.099 ±0.005	.099 ±0.005	5	3.37
580-126	1-3/8	1-9/16	1.362 ±0.012	.099 ±0.005	.099 ±0.005	27	1.26
580-127	1-7/16	1-5/8	1.424 ±0.012	.099 ±0.005	.099 ±0.005	12	1.26
580-128	1-1/2	1-11/16	1.487 ±0.012	.099 ±0.005	.099 ±0.005	12	1.26
580-129	1-9/16	1-3/4	1.549 ±0.015	.099 ±0.005	.099 ±0.005	12	1.26
580-130	1-5/8	1-13/16	1.612 ±0.015	.099 ±0.005	.099 ±0.005	12	1.26
580-131	1-11/16	1-7/8	1.674 ±0.015	.099 ±0.005	.099 ±0.005	12	1.26
580-132	1-3/4	1-15/16	1.737 ±0.015	.099 ±0.005	.099 ±0.005	11	1.31
580-133	1-13/16	2	1.799 ±0.015	.099 ±0.005	.099 ±0.005	11	1.31
580-134	1-7/8	2-1/16	1.862 ±0.015	.099 ±0.005	.099 ±0.005	11	1.31
580-135	1-15/16	2-1/8	1.925 ±0.017	.099 ±0.005	.099 ±0.005	11	1.31
580-136	2	2-3/16	1.987 ±0.017	.099 ±0.005	.099 ±0.005	11	1.31
580-137	2-1/16	2-1/4	2.050 ±0.017	.099 ±0.005	.099 ±0.005	11	1.31
580-138	2-1/8	2-5/16	2.112 ±0.017	.099 ±0.005	.099 ±0.005	11	1.31
580-139	2-3/16	2-3/8	2.175 ±0.017	.099 ±0.005	.099 ±0.005	11	1.31
580-140	2-1/4	2-7/16	2.237 ±0.017	.099 ±0.005	.099 ±0.005	11	1.31
580-141	2-5/16	2-1/2	2.300 ±0.020	.099 ±0.005	.099 ±0.005	11	1.31
580-142	2-3/8	2-9/16	2.362 ±0.020	.099 ±0.005	.099 ±0.005	11	1.31
580-143	2-7/16	2-5/8	2.425 ±0.020	.099 ±0.005	.099 ±0.005	11	1.31
580-144	2-1/2	2-11/16	2.487 ±0.020	.099 ±0.005	.099 ±0.005	11	1.31
580-145	2-9/16	2-3/4	2.550 ±0.020	.099 ±0.005	.099 ±0.005	11	1.31
580-146	2-5/8	2-13/16	2.612 ±0.020	.099 ±0.005	.099 ±0.005	11	1.31
580-147	2-11/16	2-7/8	2.675 ±0.022	.099 ±0.005	.099 ±0.005	10	15.17
580-148	2-3/4	2-15/16	2.737 ±0.022	.099 ±0.005	.099 ±0.005	10	1.40
580-149	2-13/16	3	2.800 ±0.022	.099 ±0.005	.099 ±0.005	10	1.40
580-150	2-7/8	3-1/16	2.862 ±0.022	.099 ±0.005	.099 ±0.005	10	1.40
580-151	3	3-3/16	2.987 ±0.024	.099 ±0.005	.099 ±0.005	10	1.43
580-152	3-1/4	3-7/16	3.237 ±0.024	.099 ±0.005	.099 ±0.005	10	1.43
580-153	3-1/2	3-11/16	3.487 ±0.024	.099 ±0.005	.099 ±0.005	9	1.50
580-154	3-3/4	3-15/16	3.737 ±0.028	.099 ±0.005	.099 ±0.005	9	1.57
580-155	4	4-3/16	3.987 ±0.028	.099 ±0.005	.099 ±0.005	7	1.98
580-156	4-1/4	4-7/16	4.237 ±0.030	.099 ±0.005	.099 ±0.005	6	2.40
580-157	4-1/2	4-11/16	4.487 ±0.030	.099 ±0.005	.099 ±0.005	5	2.92
580-158	4-3/4	4-15/16	4.737 ±0.030	.099 ±0.005	.099 ±0.005	5	3.18
580-159	5	5-3/16	4.987 ±0.035	.099 ±0.005	.099 ±0.005	4	3.47
580-160	5-1/4	5-7/16	5.237 ±0.035	.099 ±0.005	.099 ±0.005	4	3.69
580-161	5-1/2	5-11/16	5.487 ±0.035	.099 ±0.005	.099 ±0.005	4	4.14
580-163	6	6-3/16	5.987 ±0.035	.099 ±0.005	.099 ±0.005	3	4.68
580-164	6-1/4	6-7/16	6.237 ±0.040	.099 ±0.005	.099 ±0.005	3	4.82
580-170	7-3/4	7-15/16	7.737 ±0.045	.099 ±0.005	.099 ±0.005	3	5.49
1/8" C/S							
580-206	1/2	3/4	.484 ±0.005	.134 ±0.005	.134 ±0.005	15	\$0.68
580-209	11/16	15/16	.671 ±0.009	.134 ±0.005	.134 ±0.005	15	0.68
580-210	3/4	1	.734 ±0.010	.134 ±0.005	.134 ±0.005	15	0.68
580-211	13/16	1-1/16	.796 ±0.010	.134 ±0.005	.134 ±0.005	15	0.73
580-213	15/16	1-3/16	.921 ±0.010	.134 ±0.005	.134 ±0.005	15	0.73
580-214	1	1-1/4	.984 ±0.010	.134 ±0.005	.134 ±0.005	15	0.73
580-215	1-1/16	1-5/16	1.046 ±0.010	.134 ±0.005	.134 ±0.005	15	0.73
580-216	1-1/8	1-3/8	1.109 ±0.012	.134 ±0.005	.134 ±0.005	15	0.73
580-217	1-3/16	1-7/16	1.171 ±0.012	.134 ±0.005	.134 ±0.005	15	0.91
580-218	1-1/4	1-1/2	1.234 ±0.012	.134 ±0.005	.134 ±0.005	15	0.88
580-220	1-3/8	1-5/8	1.359 ±0.012	.134 ±0.005	.134 ±0.005	15	0.88
580-221	1-7/16	1-11/16	1.421 ±0.012	.134 ±0.005	.134 ±0.005	15	0.94
580-222	1-1/2	1-3/4	1.484 ±0.015	.134 ±0.005	.134 ±0.005	15	0.94

STYLE 580, SQUARE BUNA-N O-RINGS

O-RINGS

Part Number	A Nom. ID	B Nom. OD	INSIDE DIAMETER	C HEIGHT	CROSS SECTION	Package Quantity	List Price
580-223	1-5/8	1-7/8	1.609 ±.015	.134 ±.005	.134 ±.005	15	0.94
580-224	1-3/4	2	1.734 ±.015	.134 ±.005	.134 ±.005	15	0.94
580-225	1-7/8	2-1/8	1.859 ±.018	.134 ±.005	.134 ±.005	15	0.94
580-226	2	2-1/4	1.984 ±.018	.134 ±.005	.134 ±.005	15	0.98
580-227	2-1/8	2-3/8	2.109 ±.018	.134 ±.005	.134 ±.005	15	0.98
580-229	2-3/8	2-5/8	2.359 ±.020	.134 ±.005	.134 ±.005	15	0.98
580-230	2-1/2	2-3/4	2.484 ±.020	.134 ±.005	.134 ±.005	15	0.98
580-231	2-5/8	2-7/8	2.609 ±.020	.134 ±.005	.134 ±.005	15	0.98
580-232	2-3/4	3	2.734 ±.024	.134 ±.005	.134 ±.005	15	0.98
580-233	2-7/8	3-1/8	2.859 ±.024	.134 ±.005	.134 ±.005	15	1.02
580-234	3	3-1/4	2.984 ±.024	.134 ±.005	.134 ±.005	14	1.03
580-235	3-1/8	3-3/8	3.109 ±.024	.134 ±.005	.134 ±.005	13	1.13
580-236	3-1/4	3-1/2	3.234 ±.024	.134 ±.005	.134 ±.005	12	1.17
580-237	3-3/8	3-5/8	3.359 ±.024	.134 ±.005	.134 ±.005	12	1.26
580-238	3-1/2	3-3/4	3.484 ±.024	.134 ±.005	.134 ±.005	12	1.26
580-239	3-5/8	3-7/8	3.609 ±.028	.134 ±.005	.134 ±.005	10	1.40
580-240	3-3/4	4	3.734 ±.028	.134 ±.005	.134 ±.005	10	1.43
580-241	3-7/8	4-1/8	3.859 ±.028	.134 ±.005	.134 ±.005	10	1.43
580-242	4	4-1/4	3.984 ±.028	.134 ±.005	.134 ±.005	10	1.43
580-243	4-1/8	4-3/8	4.109 ±.028	.134 ±.005	.134 ±.005	9	1.50
580-244	4-1/4	4-1/2	4.234 ±.030	.134 ±.005	.134 ±.005	9	1.50
580-245	4-3/8	4-5/8	4.359 ±.030	.134 ±.005	.134 ±.005	8	1.78
580-246	4-1/2	4-3/4	4.484 ±.030	.134 ±.005	.134 ±.005	7	2.11
580-247	4-5/8	4-7/8	4.609 ±.030	.134 ±.005	.134 ±.005	6	2.68
580-248	4-3/4	5	4.734 ±.030	.134 ±.005	.134 ±.005	5	2.71
580-249	4-7/8	5-1/8	4.859 ±.035	.134 ±.005	.134 ±.005	5	2.85
580-250	5	5-1/4	4.984 ±.035	.134 ±.005	.134 ±.005	5	3.02
580-251	5-1/8	5-3/8	5.109 ±.035	.134 ±.005	.134 ±.005	5	3.08
580-252	5-1/4	5-1/2	5.234 ±.035	.134 ±.005	.134 ±.005	5	3.35
580-253	5-3/8	5-5/8	5.359 ±.035	.134 ±.005	.134 ±.005	4	3.39
580-254	5-1/2	5-3/4	5.484 ±.035	.134 ±.005	.134 ±.005	4	3.47
580-255	5-5/8	5-7/8	5.609 ±.035	.134 ±.005	.134 ±.005	4	3.54
580-256	5-3/4	6	5.734 ±.035	.134 ±.005	.134 ±.005	4	8.08
580-257	5-7/8	6-1/8	5.859 ±.035	.134 ±.005	.134 ±.005	4	3.88
580-258	6	6-1/4	5.984 ±.035	.134 ±.005	.134 ±.005	4	4.14
580-259	6-1/4	6-1/2	6.234 ±.040	.134 ±.005	.134 ±.005	4	4.46
580-260	6-1/2	6-3/4	6.484 ±.040	.134 ±.005	.134 ±.005	3	4.62
580-261	6-3/4	7	6.734 ±.040	.134 ±.005	.134 ±.005	3	4.62
580-262	7	7-1/4	6.984 ±.040	.134 ±.005	.134 ±.005	3	4.68
580-263	7-1/4	7-1/2	7.234 ±.045	.134 ±.005	.134 ±.005	3	4.95
580-264	7-1/2	7-3/4	7.484 ±.045	.134 ±.005	.134 ±.005	3	5.01
580-265	7-3/4	8	7.734 ±.045	.134 ±.005	.134 ±.005	3	6.05
580-266	8	8-1/4	7.984 ±.045	.134 ±.005	.134 ±.005	3	5.48
580-267	8-1/4	8-1/2	8.234 ±.050	.134 ±.005	.134 ±.005	3	5.78
580-268	8-1/2	8-3/4	8.484 ±.050	.134 ±.005	.134 ±.005	3	5.78
580-269	8-3/4	9	8.734 ±.050	.134 ±.005	.134 ±.005	3	12.69
580-271	9-1/4	9-1/2	9.234 ±.055	.134 ±.005	.134 ±.005	3	27.16
580-274	10	10-1/4	9.984 ±.055	.134 ±.005	.134 ±.005	3	16.05
580-278	12	12-1/4	11.984 ±.065	.134 ±.005	.134 ±.005	1	45.73
3/16" C/S							
580-320	1-1/8	1-1/2	1.100 ±.012	.203 ±.006	.203 ±.006	5	\$1.38
580-322	1-1/4	1-5/8	1.225 ±.012	.203 ±.006	.203 ±.006	5	1.37
580-324	1-3/8	1-3/4	1.350 ±.012	.203 ±.006	.203 ±.006	8	1.60
580-325	1-1/2	1-7/8	1.475 ±.015	.203 ±.006	.203 ±.006	15	1.60
580-326	1-5/8	2	1.600 ±.015	.203 ±.006	.203 ±.006	15	1.60
580-327	1-3/4	2-1/8	1.725 ±.015	.203 ±.006	.203 ±.006	35	1.03
580-328	1-7/8	2-1/4	1.850 ±.015	.203 ±.006	.203 ±.006	15	1.60

STYLE 580, SQUARE BUNA-N O-RINGS

O-RINGS

Part Number	A Nom. ID	B Nom. OD	INSIDE DIAMETER	C HEIGHT	CROSS SECTION	Package Quantity	List Price
580-329	2	2-3/8	1.975 ±.018	.203 ±.006	.203 ±.006	13	1.60
580-330	2-1/8	2-1/2	2.100 ±.018	.203 ±.006	.203 ±.006	13	1.83
580-331	2-1/4	2-5/8	2.225 ±.018	.203 ±.006	.203 ±.006	13	1.83
580-332	2-3/8	2-3/4	2.350 ±.018	.203 ±.006	.203 ±.006	13	1.83
580-333	2-1/2	2-7/8	2.475 ±.020	.203 ±.006	.203 ±.006	13	1.83
580-334	2-5/8	3	2.600 ±.020	.203 ±.006	.203 ±.006	13	2.11
580-335	2-3/4	3-1/8	2.725 ±.020	.203 ±.006	.203 ±.006	12	2.11
580-336	2-7/8	3-1/4	2.850 ±.020	.203 ±.006	.203 ±.006	11	2.11
580-337	3	3-3/8	2.975 ±.024	.203 ±.006	.203 ±.006	10	2.11
580-338	3-1/8	3-1/2	3.100 ±.024	.203 ±.006	.203 ±.006	10	2.27
580-339	3-1/4	3-5/8	3.225 ±.024	.203 ±.006	.203 ±.006	10	2.27
580-340	3-3/8	3-3/4	3.350 ±.024	.203 ±.006	.203 ±.006	10	2.27
580-341	3-1/2	3-7/8	3.475 ±.024	.203 ±.006	.203 ±.006	9	2.27
580-342	3-5/8	4	3.600 ±.028	.203 ±.006	.203 ±.006	9	2.42
580-343	3-3/4	4-1/8	3.725 ±.028	.203 ±.006	.203 ±.006	8	2.42
580-344	3-7/8	4-1/4	3.850 ±.028	.203 ±.006	.203 ±.006	7	2.42
580-345	4	4-3/8	3.975 ±.028	.203 ±.006	.203 ±.006	7	2.42
580-346	4-1/8	4-1/2	4.100 ±.028	.203 ±.006	.203 ±.006	7	2.68
580-347	4-1/4	4-5/8	4.225 ±.030	.203 ±.006	.203 ±.006	7	2.85
580-348	4-3/8	4-3/4	4.350 ±.030	.203 ±.006	.203 ±.006	7	2.85
580-349	4-1/2	4-7/8	4.475 ±.030	.203 ±.006	.203 ±.006	6	2.85
580-350	4-5/8	5	4.600 ±.030	.203 ±.006	.203 ±.006	6	3.68
580-351	4-3/4	5-1/8	4.725 ±.030	.203 ±.006	.203 ±.006	6	3.18
580-352	4-7/8	5-1/4	4.850 ±.030	.203 ±.006	.203 ±.006	6	3.18
580-353	5	5-3/8	4.975 ±.037	.203 ±.006	.203 ±.006	5	3.79
580-354	5-1/8	5-1/2	5.100 ±.037	.203 ±.006	.203 ±.006	4	3.79
580-355	5-1/4	5-5/8	5.225 ±.037	.203 ±.006	.203 ±.006	4	3.79
580-356	5-3/8	5-3/4	5.350 ±.037	.203 ±.006	.203 ±.006	4	4.18
580-357	5-1/2	5-7/8	5.475 ±.037	.203 ±.006	.203 ±.006	4	3.79
580-358	5-5/8	6	5.600 ±.037	.203 ±.006	.203 ±.006	4	3.79
580-366	7-1/4	7-5/8	7.225 ±.045	.203 ±.006	.203 ±.006	4	19.42
1/4" C/S							
580-414	3-1/8	3-5/8	3.100 ±.024	.266 ±.007	.266 ±.007	2	\$8.54
580-423	4-1/4	4-3/4	4.225 ±.030	.266 ±.007	.266 ±.007	2	17.97
580-425	4-1/2	5	4.475 ±.033	.266 ±.007	.266 ±.007	3	4.55
580-426	4-5/8	5-1/8	4.600 ±.033	.266 ±.007	.266 ±.007	3	4.55
580-427	4-3/4	5-1/4	4.725 ±.033	.266 ±.007	.266 ±.007	3	4.55
580-428	4-7/8	5-3/8	4.850 ±.033	.266 ±.007	.266 ±.007	3	7.77
580-429	5	5-1/2	4.975 ±.037	.266 ±.007	.266 ±.007	3	4.55
580-430	5-1/8	5-5/8	5.100 ±.037	.266 ±.007	.266 ±.007	3	4.55
580-431	5-1/4	5-3/4	5.225 ±.037	.266 ±.007	.266 ±.007	3	4.55
580-433	5-1/2	6	5.475 ±.037	.266 ±.007	.266 ±.007	3	6.71
580-434	5-5/8	6-1/8	5.600 ±.037	.266 ±.007	.266 ±.007	3	4.62
580-435	5-3/4	6-1/4	5.725 ±.037	.266 ±.007	.266 ±.007	3	4.95
580-436	5-7/8	6-3/8	5.850 ±.037	.266 ±.007	.266 ±.007	3	8.15
580-437	6	6-1/2	5.975 ±.037	.266 ±.007	.266 ±.007	3	5.59
580-438	6-1/4	6-3/4	6.225 ±.040	.266 ±.007	.266 ±.007	3	5.79
580-439	6-1/2	7	6.475 ±.040	.266 ±.007	.266 ±.007	3	6.15
580-440	6-3/4	7-1/4	6.725 ±.040	.266 ±.007	.266 ±.007	3	8.25
580-441	7	7-1/2	6.975 ±.040	.266 ±.007	.266 ±.007	2	7.10
580-442	7-1/4	7-3/4	7.225 ±.045	.266 ±.007	.266 ±.007	2	7.13
580-443	7-1/2	8	7.475 ±.045	.266 ±.007	.266 ±.007	2	7.32
580-444	7-3/4	8-1/4	7.725 ±.045	.266 ±.007	.266 ±.007	2	11.09
580-445	8	8-1/2	7.975 ±.045	.266 ±.007	.266 ±.007	2	9.70
580-446	8-1/2	9	8.475 ±.055	.266 ±.007	.266 ±.007	2	9.72
580-447	9	9-1/2	8.975 ±.055	.266 ±.007	.266 ±.007	2	9.89
580-448	9-1/2	10	9.475 ±.055	.266 ±.007	.266 ±.007	2	10.61

STYLE 580, SQUARE BUNA-N O-RINGS



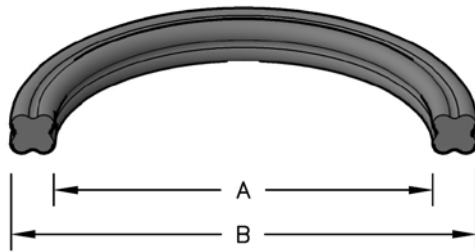
Part Number	A Nom. ID	B Nom. OD	INSIDE DIAMETER	C HEIGHT	CROSS SECTION	Package Quantity	List Price
580-449	10	10-1/2	9.975 ±.055	.266 ±.007	.266 ±.007	2	25.87
580-450	10-1/2	11	10.475 ±.060	.266 ±.007	.266 ±.007	1	46.80
580-451	11	11-1/2	10.975 ±.060	.266 ±.007	.266 ±.007	1	58.11

O-RINGS

STYLE QR, BUNA-N QUAD® RINGS

Quad® Rings provide improved stability and lubricity over conventional o-rings, reducing the tendency to spiral in the groove. They interchange standard o-rings in a variety of static and dynamic sealing applications including rotary, reciprocating or oscillating motion.

NOTE: Last three digits of part number corresponds to standard o-ring dash numbers (568-218 = QR-4218)



HERCULES PART NUMBERS

QR - 4004
 Prefix Dash Number

V = FLUOROCARBON

SEAL INFORMATION	
MATERIAL	BUNA-N RUBBER
TEMPERATURE RANGE	-40° TO +240° F
PRESSURE RANGE	VARIES ACCORDING TO DIAMETRAL CLEARANCE
SPEED	3 FT/SEC

Part Number	A Nom. ID	B Nom. OD	C Nom. Ht	O-RING DASH NUMBER	INSIDE DIAMETER	CROSS SECTION	Package Quantity	List Price
1/16" C/S								
QR-4004	5/64	13/64	1/16	-004	.070 ±.005	.070 ±.003	6	\$2.06
QR-4005	3/32	7/32	1/16	-005	.101 ±.005	.070 ±.003	6	2.06
QR-4006	1/8	1/4	1/16	-006	.114 ±.005	.070 ±.003	6	2.06
QR-4007	5/32	9/32	1/16	-007	.145 ±.005	.070 ±.003	6	2.06
QR-4008	3/16	5/16	1/16	-008	.176 ±.005	.070 ±.003	6	2.06
QR-4009	7/32	11/32	1/16	-009	.208 ±.005	.070 ±.003	6	2.06
QR-4010	1/4	3/8	1/16	-010	.239 ±.005	.070 ±.003	6	2.06
QR-4011	5/16	7/16	1/16	-011	.301 ±.005	.070 ±.003	6	2.06
QR-4012	3/8	1/2	1/16	-012	.364 ±.005	.070 ±.003	6	2.06
QR-4013	7/16	9/16	1/16	-013	.426 ±.005	.070 ±.003	6	2.06
QR-4014	1/2	5/8	1/16	-014	.489 ±.005	.070 ±.003	6	2.06
QR-4015	9/16	11/16	1/16	-015	.551 ±.007	.070 ±.003	6	2.06
QR-4016	5/8	3/4	1/16	-016	.614 ±.009	.070 ±.003	5	2.62
QR-4017	11/16	13/16	1/16	-017	.676 ±.009	.070 ±.003	5	2.62
QR-4018	3/4	7/8	1/16	-018	.739 ±.009	.070 ±.003	5	2.62
QR-4019	13/16	15/16	1/16	-019	.801 ±.009	.070 ±.003	5	2.62
QR-4020	7/8	1	1/16	-020	.864 ±.009	.070 ±.003	5	2.62
QR-4021	15/16	1-1/16	1/16	-021	.926 ±.009	.070 ±.003	5	2.62
QR-4022	1	1-1/8	1/16	-022	.989 ±.010	.070 ±.003	4	3.20
QR-4023	1-1/16	1-3/16	1/16	-023	1.051 ±.010	.070 ±.003	4	3.20
QR-4024	1-1/8	1-1/4	1/16	-024	1.114 ±.010	.070 ±.003	4	3.20
QR-4025	1-3/16	1-5/16	1/16	-025	1.176 ±.011	.070 ±.003	3	3.68
QR-4026	1-1/4	1-3/8	1/16	-026	1.239 ±.011	.070 ±.003	3	3.68
QR-4027	1-5/16	1-7/16	1/16	-027	1.301 ±.011	.070 ±.003	3	3.83
QR-4028	1-3/8	1-1/2	1/16	-028	1.364 ±.013	.070 ±.003	3	3.95
QR-4029	1-1/2	1-5/8	1/16	-029	1.489 ±.013	.070 ±.003	3	3.95
QR-4030	1-5/8	1-3/4	1/16	-030	1.614 ±.013	.070 ±.003	3	4.43
QR-4031	1-3/4	1-7/8	1/16	-031	1.739 ±.015	.070 ±.003	3	4.30
QR-4032	1-7/8	2	1/16	-032	1.864 ±.015	.070 ±.003	2	4.63
QR-4033	2	2-1/8	1/16	-033	1.989 ±.018	.070 ±.003	3	3.42
QR-4034	2-1/8	2-1/4	1/16	-034	2.114 ±.018	.070 ±.003	3	3.53
QR-4035	2-1/4	2-3/8	1/16	-035	2.239 ±.018	.070 ±.003	3	3.65
QR-4036	2-3/8	2-1/2	1/16	-036	2.364 ±.018	.070 ±.003	3	6.29
QR-4037	2-1/2	2-5/8	1/16	-037	2.489 ±.018	.070 ±.003	2	4.58
QR-4038	2-5/8	2-3/4	1/16	-038	2.614 ±.020	.070 ±.003	2	5.76
QR-4039	2-3/4	2-7/8	1/16	-039	2.739 ±.020	.070 ±.003	2	5.17

STYLE QR, BUNA-N QUAD® RINGS



O-RINGS

Part Number	A Nom. ID	B Nom. OD	C Nom. Ht	O-RING DASH NUMBER	INSIDE DIAMETER	CROSS SECTION	Package Quantity	List Price
QR-4040	2-7/8	3	1/16	-040	2.864 ±.020	.070 ±.003	2	5.28
QR-4041	3	3-1/8	1/16	-041	2.989 ±.024	.070 ±.003	2	5.42
QR-4042	3-1/4	3-3/8	1/16	-042	3.239 ±.024	.070 ±.003	2	5.65
QR-4043	3-1/2	3-5/8	1/16	-043	3.489 ±.024	.070 ±.003	2	6.29
QR-4044	3-3/4	3-7/8	1/16	-044	3.739 ±.027	.070 ±.003	2	21.51
QR-4045	4	4-1/8	1/16	-045	3.989 ±.027	.070 ±.003	2	6.35
QR-4046	4-1/4	4-3/8	1/16	-046	4.239 ±.030	.070 ±.003	2	6.41
QR-4047	4-1/2	4-5/8	1/16	-047	4.489 ±.030	.070 ±.003	2	7.78
QR-4048	4-3/4	4-7/8	1/16	-048	4.739 ±.030	.070 ±.003	2	8.02
QR-4050	5-1/4	5-3/8	1/16	-050	5.239 ±.037	.070 ±.003	2	11.06
3/32" C/S								
QR-4108	1/4	7/16	3/32	-108	.237 ±.005	.103 ±.003	5	\$2.05
QR-4109	5/16	1/2	3/32	-109	.299 ±.005	.103 ±.003	5	2.37
QR-4110	3/8	9/16	3/32	-110	.362 ±.005	.103 ±.003	5	2.37
QR-4111	7/16	5/8	3/32	-111	.424 ±.005	.103 ±.003	5	2.37
QR-4112	1/2	11/16	3/32	-112	.487 ±.005	.103 ±.003	5	2.37
QR-4113	9/16	3/4	3/32	-113	.549 ±.005	.103 ±.003	5	2.37
QR-4113V	9/16	3/4	3/32	-113	.549 ±.005	.103 ±.003	1	8.14
QR-4114	5/8	13/16	3/32	-114	.612 ±.009	.103 ±.003	5	2.37
QR-4115	11/16	7/8	3/32	-115	.674 ±.009	.103 ±.003	5	2.37
QR-4116	3/4	15/16	3/32	-116	.737 ±.009	.103 ±.003	5	2.62
QR-4117	13/16	1	3/32	-117	.799 ±.010	.103 ±.003	5	2.62
QR-4118	7/8	1-1/16	3/32	-118	.862 ±.010	.103 ±.003	5	2.85
QR-4119	15/16	1-1/8	3/32	-119	.924 ±.010	.103 ±.003	5	2.85
QR-4120	1	1-3/16	3/32	-120	.987 ±.010	.103 ±.003	5	2.85
QR-4121	1-1/16	1-1/4	3/32	-121	1.049 ±.010	.103 ±.003	5	2.85
QR-4122	1-1/8	1-5/16	3/32	-122	1.112 ±.010	.103 ±.003	5	2.85
QR-4123	1-3/16	1-3/8	3/32	-123	1.174 ±.012	.103 ±.003	5	2.85
QR-4124	1-1/4	1-7/16	3/32	-124	1.237 ±.012	.103 ±.003	5	2.85
QR-4125	1-5/16	1-1/2	3/32	-125	1.299 ±.012	.103 ±.003	4	2.99
QR-4126	1-3/8	1-9/16	3/32	-126	1.362 ±.012	.103 ±.003	4	2.99
QR-4127	1-7/16	1-5/8	3/32	-127	1.424 ±.012	.103 ±.003	4	2.99
QR-4128	1-1/2	1-11/16	3/32	-128	1.487 ±.012	.103 ±.003	4	2.99
QR-4129	1-9/16	1-3/4	3/32	-129	1.549 ±.015	.103 ±.003	4	2.99
QR-4130	1-5/8	1-13/16	3/32	-130	1.612 ±.015	.103 ±.003	4	2.99
QR-4131	1-11/16	1-7/8	3/32	-131	1.674 ±.015	.103 ±.003	4	3.49
QR-4132	1-3/4	1-15/16	3/32	-132	1.737 ±.015	.103 ±.003	4	3.49
QR-4133	1-13/16	2	3/32	-133	1.799 ±.015	.103 ±.003	4	3.49
QR-4134	1-7/8	2-1/16	3/32	-134	1.862 ±.015	.103 ±.003	4	3.49
QR-4135	1-15/16	2-1/8	3/32	-135	1.925 ±.017	.103 ±.003	3	4.74
QR-4136	2	2-3/16	3/32	-136	1.987 ±.017	.103 ±.003	3	4.87
QR-4137	2-1/16	2-1/4	3/32	-137	2.050 ±.017	.103 ±.003	3	5.05
QR-4138	2-1/8	2-5/16	3/32	-138	2.112 ±.017	.103 ±.003	3	5.48
QR-4139	2-3/16	2-3/8	3/32	-139	2.175 ±.017	.103 ±.003	3	5.48
QR-4140	2-1/4	2-7/16	3/32	-140	2.237 ±.017	.103 ±.003	3	5.75
QR-4141	2-5/16	2-1/2	3/32	-141	2.300 ±.020	.103 ±.003	3	5.97
QR-4142	2-3/8	2-9/16	3/32	-142	2.362 ±.020	.103 ±.003	3	6.24
QR-4143	2-7/16	2-5/8	3/32	-143	2.425 ±.020	.103 ±.003	2	5.13
QR-4144	2-1/2	2-11/16	3/32	-144	2.487 ±.020	.103 ±.003	2	6.49
QR-4145	2-9/16	2-3/4	3/32	-145	2.550 ±.020	.103 ±.003	2	6.56
QR-4146	2-5/8	2-13/16	3/32	-146	2.612 ±.020	.103 ±.003	2	6.56
QR-4147	2-11/16	2-7/8	3/32	-147	2.675 ±.022	.103 ±.003	2	6.67
QR-4148	2-3/4	2-15/16	3/32	-148	2.737 ±.022	.103 ±.003	2	6.68
QR-4149	2-13/16	3	3/32	-149	2.800 ±.022	.103 ±.003	2	6.73
QR-4151	3	3-3/16	3/32	-151	2.987 ±.024	.103 ±.003	2	6.89
QR-4152	3-1/4	3-7/16	3/32	-152	3.237 ±.024	.103 ±.003	2	6.94
QR-4153	3-1/2	3-11/16	3/32	-153	3.487 ±.024	.103 ±.003	2	7.30



STYLE QR, BUNA-N QUAD® RINGS

O-RINGS

Part Number	A Nom. ID	B Nom. OD	C Nom. Ht	O-RING DASH NUMBER	INSIDE DIAMETER	CROSS SECTION	Package Quantity	List Price
QR-4154	3-3/4	3-15/16	3/32	-154	3.737 ±.028	.103 ±.003	2	7.07
QR-4156	4-1/4	4-7/16	3/32	-156	4.237 ±.030	.103 ±.003	2	7.07
QR-4157	4-1/2	4-11/16	3/32	-157	4.487 ±.030	.103 ±.003	2	7.19
QR-4158	4-3/4	4-15/16	3/32	-158	4.737 ±.030	.103 ±.003	2	8.48
QR-4159	5	5-3/16	3/32	-159	4.987 ±.035	.103 ±.003	2	8.72
QR-4161	5-1/2	5-11/16	3/32	-161	5.487 ±.035	.103 ±.003	2	8.99
QR-4164	6-1/4	6-7/16	3/32	-164	6.237 ±.040	.103 ±.003	1	6.75
1/8" C/S								
QR-4202	1/4	1/2	1/8	-202	.234 ±.005	.139 ±.004	5	\$2.57
QR-4204	3/8	5/8	1/8	-204	.359 ±.005	.139 ±.004	5	2.62
QR-4205	7/16	11/16	1/8	-205	.421 ±.005	.139 ±.004	5	2.62
QR-4206	1/2	3/4	1/8	-206	.484 ±.005	.139 ±.004	5	2.62
QR-4207	9/16	13/16	1/8	-207	.546 ±.007	.139 ±.004	5	2.62
QR-4208	5/8	7/8	1/8	-208	.609 ±.009	.139 ±.004	5	2.62
QR-4209	11/16	15/16	1/8	-209	.671 ±.009	.139 ±.004	5	2.62
QR-4210	3/4	1	1/8	-210	.734 ±.010	.139 ±.004	5	2.62
QR-4211	13/16	1-1/16	1/8	-211	.796 ±.010	.139 ±.004	5	2.62
QR-4212	7/8	1-1/8	1/8	-212	.859 ±.010	.139 ±.004	5	2.62
QR-4213	15/16	1-3/16	1/8	-213	.921 ±.010	.139 ±.004	5	2.64
QR-4214	1	1-1/4	1/8	-214	.984 ±.010	.139 ±.004	5	2.85
QR-4215	1-1/16	1-5/16	1/8	-215	1.046 ±.010	.139 ±.004	5	2.85
QR-4216	1-1/8	1-3/8	1/8	-216	1.109 ±.012	.139 ±.004	4	3.13
QR-4217	1-3/16	1-7/16	1/8	-217	1.171 ±.012	.139 ±.004	4	3.13
QR-4218	1-1/4	1-1/2	1/8	-218	1.234 ±.012	.139 ±.004	4	3.13
QR-4219	1-5/16	1-9/16	1/8	-219	1.296 ±.012	.139 ±.004	4	3.13
QR-4220	1-3/8	1-5/8	1/8	-220	1.359 ±.012	.139 ±.004	4	3.49
QR-4221	1-7/16	1-11/16	1/8	-221	1.421 ±.012	.139 ±.004	4	3.49
QR-4222	1-1/2	1-3/4	1/8	-222	1.484 ±.015	.139 ±.004	4	3.49
QR-4223	1-5/8	1-7/8	1/8	-223	1.609 ±.015	.139 ±.004	3	4.16
QR-4224	1-3/4	2	1/8	-224	1.734 ±.015	.139 ±.004	3	4.16
QR-4225	1-7/8	2-1/8	1/8	-225	1.859 ±.018	.139 ±.004	3	4.16
QR-4226	2	2-1/4	1/8	-226	1.984 ±.018	.139 ±.004	3	4.16
QR-4227	2-1/8	2-3/8	1/8	-227	2.109 ±.018	.139 ±.004	3	4.16
QR-4228	2-1/4	2-1/2	1/8	-228	2.234 ±.020	.139 ±.004	3	4.71
QR-4229	2-3/8	2-5/8	1/8	-229	2.359 ±.020	.139 ±.004	3	4.71
QR-4230	2-1/2	2-3/4	1/8	-230	2.484 ±.020	.139 ±.004	3	4.86
QR-4231	2-5/8	2-7/8	1/8	-231	2.609 ±.020	.139 ±.004	3	4.86
QR-4232	2-3/4	3	1/8	-232	2.734 ±.024	.139 ±.004	3	4.86
QR-4233	2-7/8	3-1/8	1/8	-233	2.859 ±.024	.139 ±.004	3	4.86
QR-4234	3	3-1/4	1/8	-234	2.984 ±.024	.139 ±.004	3	4.86
QR-4235	3-1/8	3-3/8	1/8	-235	3.109 ±.024	.139 ±.004	3	4.86
QR-4236	3-1/4	3-1/2	1/8	-236	3.234 ±.024	.139 ±.004	3	4.86
QR-4237	3-3/8	3-5/8	1/8	-237	3.359 ±.024	.139 ±.004	3	4.86
QR-4238	3-1/2	3-3/4	1/8	-238	3.484 ±.024	.139 ±.004	2	8.51
QR-4239	3-5/8	3-7/8	1/8	-239	3.609 ±.028	.139 ±.004	2	8.51
QR-4240	3-3/4	4	1/8	-240	3.734 ±.028	.139 ±.004	2	8.51
QR-4241	3-7/8	4-1/8	1/8	-241	3.859 ±.028	.139 ±.004	2	8.51
QR-4242	4	4-1/4	1/8	-242	3.984 ±.028	.139 ±.004	2	8.51
QR-4243	4-1/8	4-3/8	1/8	-243	4.109 ±.028	.139 ±.004	2	8.70
QR-4244	4-1/4	4-1/2	1/8	-244	4.234 ±.030	.139 ±.004	2	8.70
QR-4245	4-3/8	4-5/8	1/8	-245	4.359 ±.030	.139 ±.004	2	8.70
QR-4246	4-1/2	4-3/4	1/8	-246	4.484 ±.030	.139 ±.004	2	8.70
QR-4247	4-5/8	4-7/8	1/8	-247	4.609 ±.030	.139 ±.004	2	8.70
QR-4248	4-3/4	5	1/8	-248	4.734 ±.030	.139 ±.004	2	9.15
QR-4249	4-7/8	5-1/8	1/8	-249	4.859 ±.035	.139 ±.004	2	9.15
QR-4250	5	5-1/4	1/8	-250	4.984 ±.035	.139 ±.004	2	9.15
QR-4251	5-1/8	5-3/8	1/8	-251	5.109 ±.035	.139 ±.004	2	9.15

STYLE QR, BUNA-N QUAD® RINGS



O-RINGS

Part Number	A Nom. ID	B Nom. OD	C Nom. Ht	O-RING DASH NUMBER	INSIDE DIAMETER	CROSS SECTION	Package Quantity	List Price
QR-4252	5-1/4	5-1/2	1/8	-252	5.234 ±.035	.139 ±.004	1	12.94
QR-4253	5-3/8	5-5/8	1/8	-253	5.359 ±.035	.139 ±.004	1	31.00
QR-4254	5-1/2	5-3/4	1/8	-254	5.484 ±.035	.139 ±.004	1	14.14
QR-4255	5-5/8	5-7/8	1/8	-255	5.609 ±.035	.139 ±.004	1	15.26
QR-4256	5-3/4	6	1/8	-256	5.734 ±.035	.139 ±.004	1	15.26
QR-4257	5-7/8	6-1/8	1/8	-257	5.859 ±.035	.139 ±.004	1	17.47
QR-4258	6	6-1/4	1/8	-258	5.984 ±.035	.139 ±.004	1	17.47
QR-4259	6-1/4	6-1/2	1/8	-259	6.234 ±.040	.139 ±.004	1	18.09
QR-4260	6-1/2	6-3/4	1/8	-260	6.484 ±.040	.139 ±.004	1	16.73
QR-4261	6-3/4	7	1/8	-261	6.734 ±.040	.139 ±.004	1	21.15
QR-4263	7-1/4	7-1/2	1/8	-263	7.234 ±.045	.139 ±.004	1	21.15
QR-4265	7-3/4	8	1/8	-265	7.734 ±.045	.139 ±.004	1	21.15
QR-4266	8	8-1/4	1/8	-266	7.984 ±.045	.139 ±.004	1	22.95
QR-4268	8-1/2	8-3/4	1/8	-268	8.484 ±.050	.139 ±.004	1	35.05
QR-4278	12	12-1/4	1/8	-278	11.984 ±.065	.139 ±.004	1	61.17
3/16" C/S								
QR-4314	3/4	1-1/8	3/16	-314	.725 ±.010	.210 ±.005	3	\$3.71
QR-4316	7/8	1-1/4	3/16	-316	.850 ±.010	.210 ±.005	3	3.75
QR-4318	1	1-3/8	3/16	-318	.975 ±.010	.210 ±.005	3	3.75
QR-4319	1-1/16	1-7/16	3/16	-319	1.037 ±.010	.210 ±.005	3	7.67
QR-4320	1-1/8	1-1/2	3/16	-320	1.100 ±.012	.210 ±.005	3	4.13
QR-4321	1-3/16	1-9/16	3/16	-321	1.162 ±.012	.210 ±.005	3	4.13
QR-4322	1-1/4	1-5/8	3/16	-322	1.225 ±.012	.210 ±.005	3	4.25
QR-4323	1-5/16	1-11/16	3/16	-323	1.287 ±.012	.210 ±.005	3	4.25
QR-4324	1-3/8	1-3/4	3/16	-324	1.350 ±.012	.210 ±.005	3	4.25
QR-4325	1-1/2	1-7/8	3/16	-325	1.475 ±.015	.210 ±.005	3	4.57
QR-4326	1-5/8	2	3/16	-326	1.600 ±.015	.210 ±.005	3	4.57
QR-4327	1-3/4	2-1/8	3/16	-327	1.725 ±.015	.210 ±.005	3	4.57
QR-4328	1-7/8	2-1/4	3/16	-328	1.850 ±.015	.210 ±.005	3	5.13
QR-4329	2	2-3/8	3/16	-329	1.975 ±.018	.210 ±.005	3	5.13
QR-4330	2-1/8	2-1/2	3/16	-330	2.100 ±.018	.210 ±.005	3	5.13
QR-4331	2-1/4	2-5/8	3/16	-331	2.225 ±.018	.210 ±.005	3	5.28
QR-4332	2-3/8	2-3/4	3/16	-332	2.350 ±.018	.210 ±.005	3	5.28
QR-4333	2-1/2	2-7/8	3/16	-333	2.475 ±.020	.210 ±.005	3	5.79
QR-4334	2-5/8	3	3/16	-334	2.600 ±.020	.210 ±.005	3	5.79
QR-4335	2-3/4	3-1/8	3/16	-335	2.725 ±.020	.210 ±.005	2	6.33
QR-4336	2-7/8	3-1/4	3/16	-336	2.850 ±.020	.210 ±.005	2	6.33
QR-4337	3	3-3/8	3/16	-337	2.975 ±.024	.210 ±.005	2	6.60
QR-4338	3-1/8	3-1/2	3/16	-338	3.100 ±.024	.210 ±.005	2	6.60
QR-4339	3-1/4	3-5/8	3/16	-339	3.225 ±.024	.210 ±.005	2	6.60
QR-4340	3-3/8	3-3/4	3/16	-340	3.350 ±.024	.210 ±.005	2	8.99
QR-4341	3-1/2	3-7/8	3/16	-341	3.475 ±.024	.210 ±.005	2	9.54
QR-4342	3-5/8	4	3/16	-342	3.600 ±.028	.210 ±.005	2	10.05
QR-4343	3-3/4	4-1/8	3/16	-343	3.725 ±.028	.210 ±.005	2	10.05
QR-4344	3-7/8	4-1/4	3/16	-344	3.850 ±.028	.210 ±.005	1	11.52
QR-4345	4	4-3/8	3/16	-345	3.975 ±.028	.210 ±.005	1	13.23
QR-4346	4-1/8	4-1/2	3/16	-346	4.100 ±.028	.210 ±.005	1	15.28
QR-4347	4-1/4	4-5/8	3/16	-347	4.225 ±.030	.210 ±.005	1	15.28
QR-4348	4-3/8	4-3/4	3/16	-348	4.350 ±.030	.210 ±.005	1	15.28
QR-4349	4-1/2	4-7/8	3/16	-349	4.475 ±.030	.210 ±.005	1	15.28
QR-4350	4-5/8	5	3/16	-350	4.600 ±.030	.210 ±.005	1	15.28
QR-4351	4-3/4	5-1/8	3/16	-351	4.725 ±.030	.210 ±.005	1	18.75
QR-4352	4-7/8	5-1/4	3/16	-352	4.850 ±.030	.210 ±.005	1	18.75
QR-4353	5	5-3/8	3/16	-353	4.975 ±.037	.210 ±.005	1	18.75
QR-4354	5-1/8	5-1/2	3/16	-354	5.100 ±.037	.210 ±.005	1	24.66
QR-4355	5-1/4	5-5/8	3/16	-355	5.225 ±.037	.210 ±.005	1	24.66
QR-4356	5-3/8	5-3/4	3/16	-356	5.350 ±.037	.210 ±.005	1	24.66

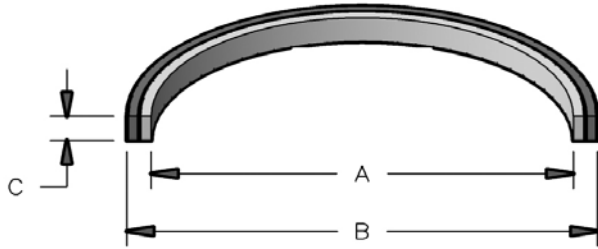
STYLE QR, BUNA-N QUAD® RINGS

O-RINGS

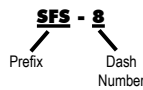
Part Number	A Nom. ID	B Nom. OD	C Nom. Ht	O-RING DASH NUMBER	INSIDE DIAMETER	CROSS SECTION	Package Quantity	List Price
QR-4357	5-1/2	5-7/8	3/16	-357	5.475 ±.037	.210 ±.005	1	26.79
QR-4358	5-5/8	6	3/16	-358	5.600 ±.037	.210 ±.005	1	26.79
QR-4361	6	6-3/8	3/16	-361	5.975 ±.037	.210 ±.005	1	27.42
QR-4362	6-1/4	6-5/8	3/16	-362	6.225 ±.040	.210 ±.005	1	27.96
QR-4363	6-1/2	6-7/8	3/16	-363	6.475 ±.040	.210 ±.005	1	27.96
QR-4366	7-1/4	7-5/8	3/16	-366	7.225 ±.045	.210 ±.005	1	41.54
QR-4367	7-1/2	7-7/8	3/16	-367	7.475 ±.045	.210 ±.005	1	41.54
QR-4368	7-3/4	8-1/8	3/16	-368	7.725 ±.045	.210 ±.005	1	42.33
QR-4369	8	8-3/8	3/16	-369	7.975 ±.045	.210 ±.005	1	43.52
QR-4374	9-1/4	9-5/8	3/16	-374	9.225 ±.055	.210 ±.005	1	55.49
1/4" C/S								
QR-4425	4-1/2	5	1/4	-425	4.475 ±.033	.275 ±.006	1	\$ 14.99
QR-4426	4-5/8	5-1/8	1/4	-426	4.600 ±.033	.275 ±.006	1	14.99
QR-4427	4-3/4	5-1/4	1/4	-427	4.725 ±.033	.275 ±.006	1	14.99
QR-4428	4-7/8	5-3/8	1/4	-428	4.850 ±.033	.275 ±.006	1	14.99
QR-4429	5	5-1/2	1/4	-429	4.975 ±.037	.275 ±.006	1	16.65
QR-4430	5-1/8	5-5/8	1/4	-430	5.100 ±.037	.275 ±.006	1	16.65
QR-4431	5-1/4	5-3/4	1/4	-431	5.225 ±.037	.275 ±.006	1	16.65
QR-4432	5-3/8	5-7/8	1/4	-432	5.350 ±.037	.275 ±.006	1	18.40
QR-4433	5-1/2	6	1/4	-433	5.475 ±.037	.275 ±.006	1	18.40
QR-4434	5-5/8	6-1/8	1/4	-434	5.600 ±.037	.275 ±.006	1	18.73
QR-4435	5-3/4	6-1/4	1/4	-435	5.725 ±.037	.275 ±.006	1	18.73
QR-4436	5-7/8	6-3/8	1/4	-436	5.850 ±.037	.275 ±.006	1	18.73
QR-4437	6	6-1/2	1/4	-437	5.975 ±.037	.275 ±.006	1	19.50
QR-4438	6-1/4	6-3/4	1/4	-438	6.225 ±.040	.275 ±.006	1	19.50
QR-4439	6-1/2	7	1/4	-439	6.475 ±.040	.275 ±.006	1	19.50
QR-4440	6-3/4	7-1/4	1/4	-440	6.725 ±.040	.275 ±.006	1	21.19
QR-4441	7	7-1/2	1/4	-441	6.975 ±.040	.275 ±.006	1	21.19
QR-4442	7-1/4	7-3/4	1/4	-442	7.225 ±.045	.275 ±.006	1	21.19
QR-4443	7-1/2	8	1/4	-443	7.475 ±.045	.275 ±.006	1	22.88
QR-4444	7-3/4	8-1/4	1/4	-444	7.725 ±.045	.275 ±.006	1	27.00
QR-4445	8	8-1/2	1/4	-445	7.975 ±.045	.275 ±.006	1	31.28
QR-4446	8-1/2	9	1/4	-446	8.475 ±.055	.275 ±.006	1	34.12
QR-4447	9	9-1/2	1/4	-447	8.975 ±.055	.275 ±.006	1	34.12
QR-4448	9-1/2	10	1/4	-448	9.475 ±.055	.275 ±.006	1	55.41
QR-4450	10-1/2	11	1/4	-450	10.475 ±.060	.275 ±.006	1	62.05
QR-4452	11-1/2	12	1/4	-452	11.475 ±.060	.275 ±.006	1	63.48
QR-4453	12	12-1/2	1/4	-453	11.975 ±.060	.275 ±.006	1	65.62
QR-4454	12-1/2	13	1/4	-454	12.475 ±.060	.275 ±.006	1	87.39
QR-4455	13	13-1/2	1/4	-455	12.975 ±.060	.275 ±.006	1	65.62
QR-4458	14-1/2	15	1/4	-458	14.475 ±.070	.275 ±.006	1	66.58
QR-4464	17-1/2	18	1/4	-464	17.455 ±.085	.275 ±.006	1	131.18

STYLE SFS SPLIT FLANGE SEALS

FOR 4-BOLT SPLIT FLANGE CONNECTORS - Flange seals are a one piece dual durometer urethane static seal. The black outer part is a tough, extrusion-resistant 95 Durometer urethane, and the yellow inner layer is 57 Durometer with low compression set and excellent sealing properties. These seals are a direct replacement for o-rings and do not require modification to any split flange groove. **For SAE J518 4-bolt Code 61/62 Split Flanges.**



HERCULES PART NUMBERS



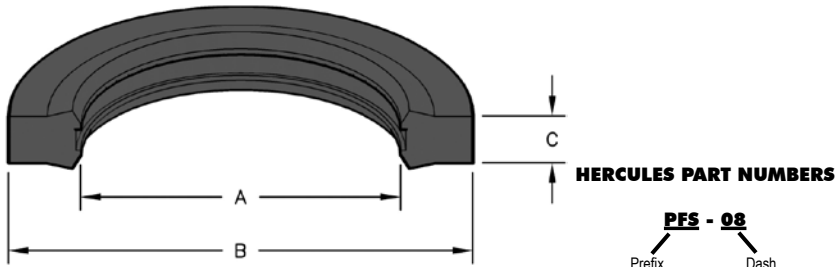
SEAL INFORMATION	
MATERIAL	URETHANE
TEMPERATURE RANGE	-40° TO +200° F
PRESSURE RANGE	0 TO 3,000 PSI
SPEED	STATIC

Part Number	A Nom. ID	B Nom. OD	C Nom. Ht	Nom. Cross Section	O-RING DASH NUMBER	G HOUSING DIAMETER	AXIAL GROOVE WIDTH	RADIAL GROOVE WIDTH	C HEIGHT	CROSS SECTION	FLANGE SIZE	List Price
SFS-8	3/4	1	1/8	1/8	-210	1.000 ^{+0.005} / _{+0.000}	.110 ^{+0.005} / _{+0.000}	.165 ±0.010	.130 ±0.005	.115 ±0.005	.500	\$4.25
SFS-12	1	1-1/4	1/8	1/8	-214	1.250 ^{+0.005} / _{+0.000}	.110 ^{+0.005} / _{+0.000}	.165 ±0.010	.130 ±0.005	.115 ±0.005	.750	4.46
SFS-16	1-5/16	1-9/16	1/8	1/8	-219	1.565 ^{+0.005} / _{+0.000}	.110 ^{+0.005} / _{+0.000}	.165 ±0.010	.130 ±0.005	.115 ±0.005	1.000	5.06
SFS-20	1-1/2	1-3/4	1/8	1/8	-222	1.750 ^{+0.005} / _{+0.000}	.110 ^{+0.005} / _{+0.000}	.165 ±0.010	.130 ±0.005	.115 ±0.005	1.250	5.48
SFS-24	1-7/8	2-1/8	1/8	1/8	-225	2.115 ^{+0.010} / _{+0.000}	.110 ^{+0.005} / _{+0.000}	.165 ±0.010	.130 ±0.005	.115 ±0.005	1.500	5.86
SFS-32	2-1/4	2-1/2	1/8	1/8	-228	2.490 ^{+0.010} / _{+0.000}	.110 ^{+0.005} / _{+0.000}	.165 ±0.010	.130 ±0.005	.115 ±0.005	2.000	7.17
SFS-40	2-3/4	3	1/8	1/8	-232	2.995 ^{+0.010} / _{+0.000}	.110 ^{+0.005} / _{+0.000}	.165 ±0.010	.130 ±0.005	.115 ±0.005	2.500	8.80
SFS-48	3-3/8	3-5/8	1/8	1/8	-237	3.615 ^{+0.010} / _{+0.000}	.110 ^{+0.005} / _{+0.000}	.165 ±0.010	.130 ±0.005	.115 ±0.005	3.000	11.25

**Split Flange Seal Kits Also Available -
See the Kits & Tools Section**

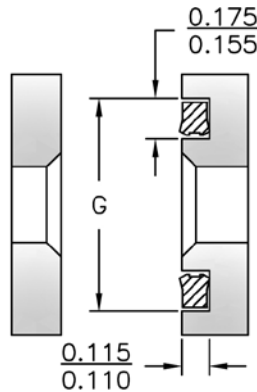
STYLE PFS SPLIT FLANGE SEALS

Molded in 92A urethane, this seal was developed to replace an o-ring in SAE J518 code 61/62 split flange applications.



PFS - 08
Prefix Dash Number

SEAL INFORMATION	
MATERIAL	92A URETHANE
TEMPERATURE RANGE	-40 - +212° F
PRESSURE RANGE	0 TO 7200 PSI
SPEED	STATIC



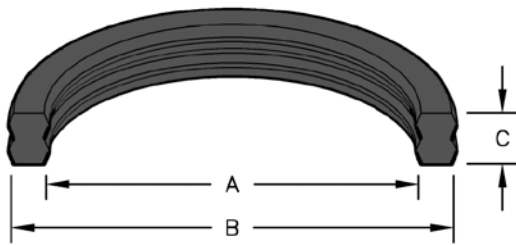
Part Number	A Nom. ID	B Nom. OD	C Nom. Ht	Nom. Cross Section	O-RING DASH NUMBER	G HOUSING DIAMETER	AXIAL GROOVE WIDTH	RADIAL GROOVE WIDTH	FLANGE SIZE	List Price
PFS-08	3/4	1	1/8	1/8	-210	1.000 ^{+0.005} / _{+0.000}	.110 ^{+0.005} / _{+0.000}	.165 ±.010	.500	\$4.18
PFS-12	1	1-1/4	1/8	1/8	-214	1.250 ^{+0.005} / _{+0.000}	.110 ^{+0.005} / _{+0.000}	.165 ±.010	.750	4.31
PFS-16	1-5/16	1-9/16	1/8	1/8	-219	1.565 ^{+0.005} / _{+0.000}	.110 ^{+0.005} / _{+0.000}	.165 ±.010	1.000	5.42
PFS-20	1-1/2	1-3/4	1/8	1/8	-222	1.750 ^{+0.005} / _{+0.000}	.110 ^{+0.005} / _{+0.000}	.165 ±.010	1.250	3.77
PFS-24	1-7/8	2-1/8	1/8	1/8	-225	2.115 ^{+0.010} / _{+0.000}	.110 ^{+0.005} / _{+0.000}	.165 ±.010	1.500	3.97
PFS-32	2-1/4	2-1/2	1/8	1/8	-228	2.490 ^{+0.010} / _{+0.000}	.110 ^{+0.005} / _{+0.000}	.165 ±.010	2.000	4.16
PFS-40	2-3/4	3	1/8	1/8	-232	2.995 ^{+0.010} / _{+0.000}	.110 ^{+0.005} / _{+0.000}	.165 ±.010	2.500	7.06

Seal color may vary.

STYLE HS568 HEAD SEALS

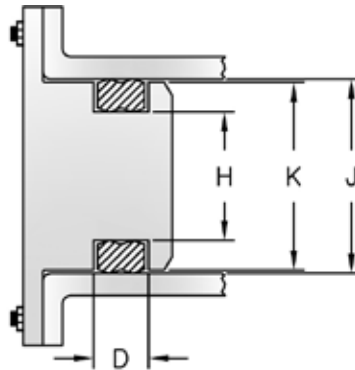


Molded in 90A urethane, this seal was developed to be used as a head seal and to replace an o-ring and a back-up. Its symmetrical one-piece design reduces the risk of installation damage and back-up blow-out.



HERCULES PART NUMBERS

HS568 - 022
 Prefix Dash Number



SEAL INFORMATION	
MATERIAL	90A URETHANE
TEMPERATURE RANGE	-40 - +212° F
PRESSURE RANGE	0 TO 10000 PSI
SPEED	STATIC

O-RINGS

Part Number	A Nom. ID	B Nom. OD	C Nom. Ht	D GROOVE WIDTH	H GROOVE DIAMETER	K HEAD DIAMETER	J BORE DIAMETER	List Price
1/8" C/S								
HS568-218	1-1/4	1-1/2	3/16	.208 ^{+0.005} / _{+0.000}	1.278 ^{+0.000} / _{-.002}	1.497 ^{+0.000} / _{-.001}	1.500 ^{+0.002} / _{+0.000}	\$5.84
HS568-224	1-3/4	2	3/16	.208 ^{+0.005} / _{+0.000}	1.778 ^{+0.000} / _{-.004}	1.997 ^{+0.000} / _{-.001}	2.000 ^{+0.002} / _{+0.000}	8.27
HS568-226	2	2-1/4	3/16	.208 ^{+0.005} / _{+0.000}	2.028 ^{+0.000} / _{-.002}	2.247 ^{+0.000} / _{-.001}	2.250 ^{+0.002} / _{+0.000}	9.63
HS568-228	2-1/4	2-1/2	3/16	.208 ^{+0.005} / _{+0.000}	2.278 ^{+0.000} / _{-.002}	2.497 ^{+0.000} / _{-.001}	2.500 ^{+0.002} / _{+0.000}	19.33
HS568-230	2-1/2	2-3/4	3/16	.208 ^{+0.005} / _{+0.000}	2.528 ^{+0.000} / _{-.002}	2.747 ^{+0.000} / _{-.001}	2.750 ^{+0.002} / _{+0.000}	19.33
HS568-232	2-3/4	3	3/16	.208 ^{+0.005} / _{+0.000}	2.778 ^{+0.000} / _{-.002}	2.997 ^{+0.000} / _{-.001}	3.000 ^{+0.002} / _{+0.000}	22.05
HS568-234	3	3-1/4	3/16	.208 ^{+0.005} / _{+0.000}	3.028 ^{+0.000} / _{-.002}	3.247 ^{+0.000} / _{-.001}	3.250 ^{+0.002} / _{+0.000}	22.05
HS568-235	3-1/8	3-3/8	3/16	.208 ^{+0.005} / _{+0.000}	3.153 ^{+0.000} / _{-.002}	3.372 ^{+0.000} / _{-.001}	3.375 ^{+0.002} / _{+0.000}	22.05
HS568-236	3-1/4	3-1/2	3/16	.208 ^{+0.005} / _{+0.000}	3.278 ^{+0.000} / _{-.002}	3.497 ^{+0.000} / _{-.001}	3.500 ^{+0.002} / _{+0.000}	22.05
HS568-237	3-3/8	3-5/8	3/16	.208 ^{+0.005} / _{+0.000}	3.403 ^{+0.000} / _{-.002}	3.622 ^{+0.000} / _{-.001}	3.625 ^{+0.002} / _{+0.000}	22.15
HS568-238	3-1/2	3-3/4	3/16	.208 ^{+0.005} / _{+0.000}	3.528 ^{+0.000} / _{-.002}	3.747 ^{+0.000} / _{-.001}	3.750 ^{+0.002} / _{+0.000}	22.52
HS568-239	3-5/8	3-7/8	3/16	.208 ^{+0.005} / _{+0.000}	3.653 ^{+0.000} / _{-.002}	3.872 ^{+0.000} / _{-.001}	3.875 ^{+0.002} / _{+0.000}	23.53
HS568-240	3-3/4	4	3/16	.208 ^{+0.005} / _{+0.000}	3.778 ^{+0.000} / _{-.002}	3.997 ^{+0.000} / _{-.001}	4.000 ^{+0.002} / _{+0.000}	28.11
HS568-242	4	4-1/4	3/16	.208 ^{+0.005} / _{+0.000}	4.028 ^{+0.000} / _{-.002}	4.247 ^{+0.000} / _{-.001}	4.250 ^{+0.002} / _{+0.000}	28.11
HS568-244	4-1/4	4-1/2	3/16	.208 ^{+0.005} / _{+0.000}	4.278 ^{+0.000} / _{-.002}	4.497 ^{+0.000} / _{-.001}	4.500 ^{+0.002} / _{+0.000}	28.11

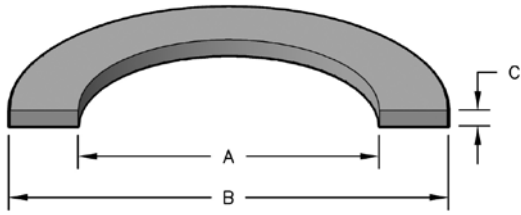
STYLE HS568 HEAD SEALS

O-RINGS

Part Number	A Nom. ID	B Nom. OD	C Nom. Ht	D GROOVE WIDTH	H GROOVE DIAMETER	K HEAD DIAMETER	J BORE DIAMETER	List Price
HS568-246	4-1/2	4-3/4	3/16	.208 ^{+0.005} / _{+0.000}	4.528 ^{+0.000} / _{-0.002}	4.747 ^{+0.000} / _{-0.001}	4.750 ^{+0.002} / _{+0.000}	31.21
HS568-248	4-3/4	5	3/16	.208 ^{+0.005} / _{+0.000}	4.778 ^{+0.000} / _{-0.002}	4.997 ^{+0.000} / _{-0.001}	5.000 ^{+0.002} / _{+0.000}	31.21
HS568-250	5	5-1/4	3/16	.208 ^{+0.005} / _{+0.000}	5.028 ^{+0.000} / _{-0.004}	5.247 ^{+0.000} / _{-0.001}	5.250 ^{+0.002} / _{+0.000}	31.21
HS568-251	5-1/8	5-3/8	3/16	.208 ^{+0.005} / _{+0.000}	5.153 ^{+0.000} / _{-0.004}	5.372 ^{+0.000} / _{-0.001}	5.375 ^{+0.002} / _{+0.000}	31.21
HS568-252	5-1/4	5-1/2	3/16	.208 ^{+0.005} / _{+0.000}	5.278 ^{+0.000} / _{-0.004}	5.497 ^{+0.000} / _{-0.001}	5.500 ^{+0.002} / _{+0.000}	31.21
HS568-254	5-1/2	5-3/4	3/16	.208 ^{+0.005} / _{+0.000}	5.528 ^{+0.000} / _{-0.004}	5.747 ^{+0.000} / _{-0.001}	5.750 ^{+0.002} / _{+0.000}	46.14
HS568-256	5-3/4	6	3/16	.208 ^{+0.005} / _{+0.000}	5.778 ^{+0.000} / _{-0.004}	5.997 ^{+0.000} / _{-0.001}	6.000 ^{+0.002} / _{+0.000}	46.14
HS568-261	6-3/4	7	3/16	.208 ^{+0.005} / _{+0.000}	6.778 ^{+0.000} / _{-0.004}	6.997 ^{+0.000} / _{-0.001}	7.000 ^{+0.002} / _{+0.000}	45.28
3/16" C/S								
HS568-338	3-1/8	3-1/2	9/32	.311 ^{+0.005} / _{+0.000}	3.160 ^{+0.000} / _{-0.004}	3.497 ^{+0.000} / _{-0.001}	3.500 ^{+0.002} / _{+0.000}	\$28.58
HS568-342	3-5/8	4	9/32	.311 ^{+0.005} / _{+0.000}	3.660 ^{+0.000} / _{-0.004}	3.997 ^{+0.000} / _{-0.001}	4.000 ^{+0.002} / _{+0.000}	30.34
HS568-344	3-7/8	4-1/4	9/32	.311 ^{+0.005} / _{+0.000}	3.910 ^{+0.000} / _{-0.004}	4.247 ^{+0.000} / _{-0.001}	4.250 ^{+0.002} / _{+0.000}	30.34
HS568-346	4-1/8	4-1/2	9/32	.311 ^{+0.005} / _{+0.000}	4.160 ^{+0.000} / _{-0.004}	4.497 ^{+0.000} / _{-0.001}	4.500 ^{+0.002} / _{+0.000}	30.34
HS568-348	4-3/8	4-3/4	9/32	.311 ^{+0.005} / _{+0.000}	4.410 ^{+0.000} / _{-0.004}	4.747 ^{+0.000} / _{-0.001}	4.750 ^{+0.002} / _{+0.000}	31.21
HS568-350	4-5/8	5	9/32	.311 ^{+0.005} / _{+0.000}	4.660 ^{+0.000} / _{-0.004}	4.997 ^{+0.000} / _{-0.001}	5.000 ^{+0.002} / _{+0.000}	31.21
HS568-352	4-7/8	5-1/4	9/32	.311 ^{+0.005} / _{+0.000}	4.910 ^{+0.000} / _{-0.004}	5.247 ^{+0.000} / _{-0.001}	5.250 ^{+0.002} / _{+0.000}	31.21
HS568-353	5	5-3/8	9/32	.311 ^{+0.005} / _{+0.000}	5.035 ^{+0.000} / _{-0.004}	5.372 ^{+0.000} / _{-0.001}	5.375 ^{+0.002} / _{+0.000}	31.21
HS568-354	5-1/8	5-1/2	9/32	.311 ^{+0.005} / _{+0.000}	5.160 ^{+0.000} / _{-0.004}	5.497 ^{+0.000} / _{-0.001}	5.500 ^{+0.002} / _{+0.000}	31.21
HS568-356	5-3/8	5-3/4	9/32	.311 ^{+0.005} / _{+0.000}	5.410 ^{+0.000} / _{-0.004}	5.747 ^{+0.000} / _{-0.001}	5.750 ^{+0.002} / _{+0.000}	46.14
HS568-358	5-5/8	6	9/32	.311 ^{+0.005} / _{+0.000}	5.660 ^{+0.000} / _{-0.004}	5.997 ^{+0.000} / _{-0.001}	6.000 ^{+0.002} / _{+0.000}	46.14
HS568-360	5-7/8	6-1/4	9/32	.311 ^{+0.005} / _{+0.000}	5.910 ^{+0.000} / _{-0.004}	6.247 ^{+0.000} / _{-0.001}	6.250 ^{+0.002} / _{+0.000}	46.14

STYLE VMG FIBER GASKETS

Our style VMG gaskets are used in moderate duty applications as tube end seals and o-ring back-ups. The gaskets are made of a protein and glycerin impregnated fiber.



HERCULES PART NUMBERS

VMG - 128
 Prefix Dash Number

SEAL INFORMATION	
MATERIAL	IMPREGNATED FIBER
TEMPERATURE RANGE	MAX 250° F

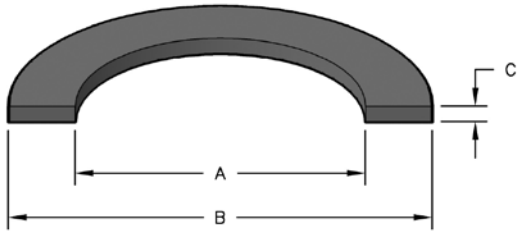
Part Number	A Nom. ID	B Nom. OD	C Nom. Ht	List Price
VMG-128	1-1/2	1-11/16	.031	\$6.87
VMG-326	1-5/8	2	.031	4.24
VMG-136	2	2-3/16	.031	9.33
VMG-144	2-1/2	2-11/16	.031	9.43
VMG-334	2-5/8	3	.031	4.52
VMG-2.62X3.87X.030	2-5/8	3-7/8	.031	12.08
VMG-151	3	3-3/16	.031	10.11
VMG-238	3-1/2	3-3/4	.031	7.92
VMG-242	4	4-1/4	.031	8.01
VMG-247	4-5/8	4-7/8	.031	8.05
VMG-250	5	5-1/4	.031	8.07
VMG-258	6	6-1/4	.031	8.47
VMG-266	8	8-1/4	.031	8.91

FIBER GASKETS

STYLE 573 HYTREL BACK-UP RINGS

Molded of 55D Durometer Hytrel, these back-up rings provide excellent extrusion resistance and tolerance to fluids such as phosphate esters, hydraulic oil and water. Stretched for installation, they return quickly to their original size for easy installation.

NOTE: Sizes (Dash No.) correspond to standard o-ring numbers.



HERCULES PART NUMBERS

573 - 006
 Prefix Dash Number

SEAL INFORMATION

MATERIAL	55D HYTREL
TEMPERATURE RANGE	-65° TO +275° F
PRESSURE RANGE	VARIABLE ACCORDING TO DIAMETRAL CLEARANCE

BACK-UP RINGS

Part Number	A Nom. ID	B Nom. OD	C Nom. Ht	th THICKNESS	Package Quantity	List Price
1/16" C/S						
573-009	7/32	11/32	.05	.045 ±.005	10	\$1.91
573-010	1/4	3/8	.05	.045 ±.005	10	1.91
573-011	5/16	7/16	.05	.045 ±.005	10	1.39
573-012	3/8	1/2	.05	.045 ±.005	10	1.39
573-014-03	1/2	5/8	.03	.027 ±.005	10	1.14
573-014	1/2	5/8	.05	.050 ±.005	10	1.34
573-015	9/16	11/16	.05	.050 ±.005	10	1.34
573-016	5/8	3/4	.05	.050 ±.005	10	1.55
573-016.5	21/32	25/32	.05	.050 ±.005	5	1.75
573-017	11/16	13/16	.05	.050 ±.005	10	1.55
573-018	3/4	7/8	.05	.050 ±.005	10	1.55
573-019	13/16	15/16	.05	.050 ±.005	10	1.55
573-020	7/8	1	.05	.050 ±.005	10	1.55
573-021	15/16	1-1/16	.05	.050 ±.005	10	1.55
573-022	1	1-1/8	.05	.050 ±.005	10	1.55
573-023	1-1/16	1-3/16	.05	.050 ±.005	10	1.55
573-024	1-1/8	1-1/4	.05	.050 ±.005	10	1.55
573-025	1-3/16	1-5/16	.05	.050 ±.005	10	1.55
573-026	1-1/4	1-3/8	.05	.050 ±.005	10	1.76
573-027	1-5/16	1-7/16	.05	.050 ±.005	10	1.76
573-028	1-3/8	1-1/2	.05	.050 ±.005	10	1.76
573-029	1-1/2	1-5/8	.05	.050 ±.005	10	1.76
573-030	1-5/8	1-3/4	.05	.050 ±.005	10	1.76
573-031	1-3/4	1-7/8	.05	.050 ±.005	10	1.76
573-032	1-7/8	2	.05	.050 ±.005	10	1.76
573-033	2	2-1/8	.05	.050 ±.005	10	1.86
573-034	2-1/8	2-1/4	.05	.050 ±.005	10	1.86
573-035	2-1/4	2-3/8	.05	.050 ±.005	10	1.86
573-036	2-3/8	2-1/2	.05	.050 ±.005	10	1.86
573-037	2-1/2	2-5/8	.05	.050 ±.005	10	1.86
573-038	2-5/8	2-3/4	.05	.050 ±.005	10	1.86
573-039	2-3/4	2-7/8	.05	.050 ±.005	10	2.00
573-040	2-7/8	3	.05	.050 ±.005	10	2.05
573-041	3	3-1/8	.05	.050 ±.005	10	2.43
573-042	3-1/4	3-3/8	.05	.050 ±.005	10	3.20
573-043	3-1/2	3-5/8	.05	.050 ±.005	10	2.12
573-044	3-3/4	3-7/8	.05	.050 ±.005	2	2.97
573-045	4	4-1/8	.05	.050 ±.005	2	7.61
573-048	4-3/4	4-7/8	.05	.050 ±.005	2	9.96
573-049	5	5-1/8	.05	.050 ±.005	2	9.96

STYLE 573 HYTREL BACK-UP RINGS

BACK-UP RINGS

Part Number	A Nom. ID	B Nom. OD	C Nom. Ht	th THICKNESS	Package Quantity	List Price
573-050	5-1/4	5-3/8	.05	.050 ±.005	2	3.60
3/32" C/S						
573-110	3/8	9/16	.05	.050 ±.005	10	\$2.05
573-111	7/16	5/8	.05	.050 ±.005	9	1.46
573-112	1/2	11/16	.05	.050 ±.005	9	1.46
573-113	9/16	3/4	.05	.050 ±.005	9	1.46
573-114	5/8	13/16	.05	.050 ±.005	9	1.34
573-115	11/16	7/8	.05	.050 ±.005	9	1.34
573-116	3/4	15/16	.05	.050 ±.005	9	1.34
573-117	13/16	1	.05	.050 ±.005	9	1.46
573-118	7/8	1-1/16	.05	.050 ±.005	9	1.46
573-119	15/16	1-1/8	.05	.050 ±.005	9	1.46
573-120	1	1-3/16	.05	.050 ±.005	8	1.52
573-122	1-1/8	1-5/16	.05	.050 ±.005	8	1.52
573-123	1-3/16	1-3/8	.05	.050 ±.005	8	1.52
573-124	1-1/4	1-7/16	.05	.050 ±.005	8	1.55
573-125	1-5/16	1-1/2	.05	.050 ±.005	8	1.55
573-126	1-3/8	1-9/16	.05	.050 ±.005	8	1.76
573-127	1-7/16	1-5/8	.05	.050 ±.005	8	1.76
573-128	1-1/2	1-11/16	.05	.050 ±.005	8	1.76
573-129	1-9/16	1-3/4	.05	.050 ±.005	8	1.76
573-130	1-5/8	1-13/16	.05	.050 ±.005	8	1.75
573-131	1-11/16	1-7/8	.05	.050 ±.005	8	1.76
573-132	1-3/4	1-15/16	.05	.050 ±.005	8	1.76
573-133	1-13/16	2	.05	.050 ±.005	8	1.76
573-134	1-7/8	2-1/16	.05	.050 ±.005	8	1.76
573-135	1-15/16	2-1/8	.05	.050 ±.005	8	1.76
573-136	2	2-3/16	.05	.050 ±.005	8	1.76
573-137	2-1/16	2-1/4	.05	.050 ±.005	8	1.76
573-138	2-1/8	2-5/16	.05	.050 ±.005	8	1.76
573-139	2-3/16	2-3/8	.05	.050 ±.005	8	1.76
573-140	2-1/4	2-7/16	.05	.050 ±.005	7	1.80
573-141	2-5/16	2-1/2	.05	.050 ±.005	7	1.80
573-142	2-3/8	2-9/16	.05	.050 ±.005	7	1.80
573-143	2-7/16	2-5/8	.05	.050 ±.005	7	1.93
573-144	2-1/2	2-11/16	.05	.050 ±.005	6	2.00
573-145	2-9/16	2-3/4	.05	.050 ±.005	6	2.00
573-146	2-5/8	2-13/16	.05	.050 ±.005	6	2.00
573-147	2-11/16	2-7/8	.05	.050 ±.005	6	2.00
573-148	2-3/4	2-15/16	.05	.050 ±.005	6	2.00
573-149	2-13/16	3	.05	.050 ±.005	6	2.00
573-150	2-7/8	3-1/16	.05	.050 ±.005	6	5.36
573-151	3	3-3/16	.05	.050 ±.005	6	2.05
573-152	3-1/4	3-7/16	.05	.050 ±.005	5	3.44
573-153	3-1/2	3-11/16	.05	.050 ±.005	5	2.79
573-154	3-3/4	3-15/16	.05	.050 ±.005	3	4.28
573-155	4	4-3/16	.05	.050 ±.005	3	4.34
573-156	4-1/4	4-7/16	.05	.050 ±.005	5	4.55
573-158	4-3/4	4-15/16	.05	.050 ±.005	3	4.62
573-159	5	5-3/16	.05	.050 ±.005	3	4.71
573-160	5-1/4	5-7/16	.05	.050 ±.005	3	12.17
573-161	5-1/2	5-11/16	.05	.050 ±.005	3	12.17
573-162	5-3/4	5-15/16	.05	.050 ±.005	3	8.81
573-163	6	6-3/16	.05	.050 ±.005	3	6.29
.11" C/S						
573-3.33X0.11X0.05	3.336	3.556	.05	.050 ±.002	1	\$80.80

STYLE 573 HYTREL BACK-UP RINGS

BACK-UP RINGS

Part Number	A Nom. ID	B Nom. OD	C Nom. Ht	th THICKNESS	Package Quantity	List Price
1/8" C/S						
573-206	1/2	3/4	.05	.050 ±.005	10	\$1.34
573-207	9/16	13/16	.05	.050 ±.005	10	1.34
573-208	5/8	7/8	.05	.050 ±.005	10	1.34
573-209	11/16	15/16	.05	.050 ±.005	10	1.34
573-210	3/4	1	.05	.050 ±.005	9	1.46
573-211	13/16	1-1/16	.05	.050 ±.005	9	1.46
573-212	7/8	1-1/8	.05	.050 ±.005	9	1.46
573-213	15/16	1-3/16	.05	.050 ±.005	9	1.46
573-214	1	1-1/4	.05	.050 ±.005	9	1.46
573-215	1-1/16	1-5/16	.05	.050 ±.005	9	1.52
573-216	1-1/8	1-3/8	.05	.050 ±.005	9	1.52
573-217	1-3/16	1-7/16	.05	.050 ±.005	9	1.52
573-218	1-1/4	1-1/2	.05	.050 ±.005	9	1.52
573-219	1-5/16	1-9/16	.05	.050 ±.005	9	1.52
573-220	1-3/8	1-5/8	.05	.050 ±.005	10	1.55
573-221	1-7/16	1-11/16	.05	.050 ±.005	10	1.55
573-222	1-1/2	1-3/4	.05	.050 ±.005	10	1.55
573-223	1-5/8	1-7/8	.05	.050 ±.005	8	1.65
573-224	1-3/4	2	.05	.050 ±.005	8	1.65
573-225	1-7/8	2-1/8	.05	.050 ±.005	10	1.76
573-226	2	2-1/4	.05	.050 ±.005	10	1.76
573-227	2-1/8	2-3/8	.05	.050 ±.005	10	1.76
573-228	2-1/4	2-1/2	.05	.050 ±.005	10	1.76
573-836	2-5/16	2-9/16	.055	.055 ±.005	5	2.99
573-229	2-3/8	2-5/8	.05	.050 ±.005	10	1.76
573-230	2-1/2	2-3/4	.05	.050 ±.005	7	2.02
573-231	2-5/8	2-7/8	.05	.050 ±.005	7	2.02
573-842	2-11/16	2-15/16	.055	.055 ±.005	3	4.37
573-232	2-3/4	3	.05	.050 ±.005	7	2.02
573-233	2-7/8	3-1/8	.05	.050 ±.005	7	2.02
573-234	3	3-1/4	.05	.050 ±.005	6	2.15
573-235	3-1/8	3-3/8	.05	.050 ±.005	6	2.15
573-236	3-1/4	3-1/2	.05	.050 ±.005	6	2.15
573-237	3-3/8	3-5/8	.05	.050 ±.005	5	2.52
573-238	3-1/2	3-3/4	.05	.050 ±.005	5	2.52
573-239	3-5/8	3-7/8	.05	.050 ±.005	5	3.10
573-240	3-3/4	4	.05	.050 ±.005	5	3.15
573-241	3-7/8	4-1/8	.05	.050 ±.005	5	3.15
573-242	4	4-1/4	.05	.050 ±.005	5	3.15
573-243	4-1/8	4-3/8	.05	.050 ±.005	5	3.15
573-244	4-1/4	4-1/2	.05	.050 ±.005	4	3.87
573-245	4-3/8	4-5/8	.05	.050 ±.005	4	3.87
573-246	4-1/2	4-3/4	.05	.050 ±.005	3	4.39
573-247	4-5/8	4-7/8	.05	.050 ±.005	3	4.39
573-248	4-3/4	5	.05	.050 ±.005	3	5.06
573-249	4-7/8	5-1/8	.05	.050 ±.005	3	4.91
573-250	5	5-1/4	.05	.050 ±.005	3	5.04
573-251	5-1/8	5-3/8	.05	.050 ±.005	3	5.49
573-252	5-1/4	5-1/2	.05	.050 ±.005	3	5.72
573-253	5-3/8	5-5/8	.05	.050 ±.005	1	6.36
573-254	5-1/2	5-3/4	.05	.050 ±.005	3	6.39
573-255	5-5/8	5-7/8	.05	.050 ±.005	2	6.61
573-256	5-3/4	6	.05	.050 ±.005	2	6.89
573-257	5-7/8	6-1/8	.05	.050 ±.005	2	7.32
573-258	6	6-1/4	.05	.050 ±.005	2	7.48
573-259	6-1/4	6-1/2	.05	.050 ±.005	2	7.48

STYLE 573 HYTREL BACK-UP RINGS

BACK-UP RINGS

Part Number	A Nom. ID	B Nom. OD	C Nom. Ht	th THICKNESS	Package Quantity	List Price
573-260	6-1/2	6-3/4	.05	.050 ±.005	2	7.80
573-261	6-3/4	7	.05	.050 ±.005	2	8.16
573-262	7	7-1/4	.05	.050 ±.005	2	8.26
573-263	7-1/4	7-1/2	.05	.050 ±.005	2	8.70
573-264	7-1/2	7-3/4	.05	.050 ±.005	2	9.29
573-265	7-3/4	8	.05	.050 ±.005	2	9.76
573-266	8	8-1/4	.05	.050 ±.005	2	11.38
573-267	8-1/4	8-1/2	.05	.050 ±.005	2	11.53
573-268	8-1/2	8-3/4	.05	.050 ±.005	2	11.82
573-269	8-3/4	9	.05	.050 ±.005	2	11.82
573-272	9-1/2	9-3/4	.05	.050 ±.005	1	12.58
573-273	9-3/4	10	.05	.050 ±.005	1	12.76
573-275	10-1/2	10-3/4	.05	.050 ±.005	1	13.39
573-276	11	11-1/4	.05	.050 ±.005	1	13.50
573-278	12	12-1/4	.05	.050 ±.005	1	13.62
.167" C/S						
573-6.200X0.167X0.070	6.2	6.534	.07	.070 ±.006	1	\$18.86
3/16" C/S						
573-312	5/8	1	.07	.070 ±.006	9	\$1.46
573-314	3/4	1-1/8	.07	.070 ±.006	8	1.52
573-316	7/8	1-1/4	.07	.070 ±.006	8	1.52
573-318	1	1-3/8	.07	.070 ±.006	8	1.52
573-319	1-1/16	1-7/16	.07	.070 ±.006	8	2.02
573-320	1-1/8	1-1/2	.07	.070 ±.006	8	1.52
573-322	1-1/4	1-5/8	.07	.070 ±.006	8	1.52
573-323	1-5/16	1-11/16	.07	.070 ±.006	8	2.20
573-324	1-3/8	1-3/4	.07	.070 ±.006	8	1.65
573-325	1-1/2	1-7/8	.07	.070 ±.006	8	1.65
573-326	1-5/8	2	.07	.070 ±.006	8	1.76
573-327	1-3/4	2-1/8	.07	.070 ±.006	8	1.76
573-328	1-7/8	2-1/4	.07	.070 ±.006	8	2.02
573-329	2	2-3/8	.07	.070 ±.006	8	1.76
573-330	2-1/8	2-1/2	.07	.070 ±.006	8	1.76
573-331	2-1/4	2-5/8	.07	.070 ±.006	8	1.76
573-332	2-3/8	2-3/4	.07	.070 ±.006	8	1.80
573-333	2-1/2	2-7/8	.07	.070 ±.006	8	1.80
573-334	2-5/8	3	.07	.070 ±.006	7	1.86
573-335	2-3/4	3-1/8	.07	.070 ±.006	7	2.02
573-336	2-7/8	3-1/4	.07	.070 ±.006	7	2.02
573-337	3	3-3/8	.07	.070 ±.006	7	2.12
573-338	3-1/8	3-1/2	.07	.070 ±.006	7	2.12
573-339	3-1/4	3-5/8	.07	.070 ±.006	6	2.23
573-340	3-3/8	3-3/4	.07	.070 ±.006	6	2.43
573-341	3-1/2	3-7/8	.07	.070 ±.006	6	2.43
573-342	3-5/8	4	.07	.070 ±.006	5	2.56
573-343	3-3/4	4-1/8	.07	.070 ±.006	5	2.90
573-344	3-7/8	4-1/4	.07	.070 ±.006	4	3.24
573-345	4	4-3/8	.07	.070 ±.006	4	3.58
573-346	4-1/8	4-1/2	.07	.070 ±.006	4	3.83
573-347	4-1/4	4-5/8	.07	.070 ±.006	4	3.99
573-348	4-3/8	4-3/4	.07	.070 ±.006	4	4.24
573-350	4-5/8	5	.07	.070 ±.006	3	4.56
573-351	4-3/4	5-1/8	.07	.070 ±.006	3	5.04
573-352	4-7/8	5-1/4	.07	.070 ±.006	3	5.20
573-353	5	5-3/8	.07	.070 ±.006	3	5.23
573-354	5-1/8	5-1/2	.07	.070 ±.006	3	5.43
573-355	5-1/4	5-5/8	.07	.070 ±.006	3	5.72

STYLE 573 HYTREL BACK-UP RINGS

BACK-UP RINGS

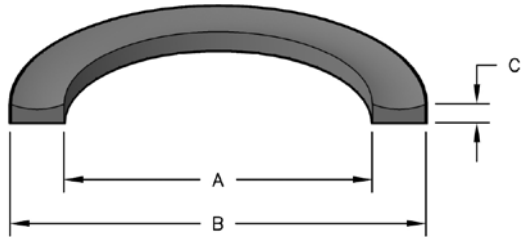
Part Number	A Nom. ID	B Nom. OD	C Nom. Ht	th THICKNESS	Package Quantity	List Price
573-356	5-3/8	5-3/4	.07	.070 ±.006	3	6.01
573-357	5-1/2	5-7/8	.07	.070 ±.006	2	6.56
573-358	5-5/8	6	.07	.070 ±.006	2	6.56
573-359	5-3/4	6-1/8	.07	.070 ±.006	2	7.90
573-360	5-7/8	6-1/4	.07	.070 ±.006	2	7.25
573-361	6	6-3/8	.07	.070 ±.006	2	7.72
573-362	6-1/4	6-5/8	.07	.070 ±.006	1	7.72
573-363	6-1/2	6-7/8	.07	.070 ±.006	2	7.72
573-364	6-3/4	7-1/8	.07	.070 ±.006	2	7.72
573-365	7	7-3/8	.07	.070 ±.006	2	7.62
573-366	7-1/4	7-5/8	.07	.070 ±.006	2	7.72
573-367	7-1/2	7-7/8	.07	.070 ±.006	2	7.72
573-368	7-3/4	8-1/8	.07	.070 ±.006	2	7.72
573-370	8-1/4	8-5/8	.07	.070 ±.006	2	8.18
573-372	8-3/4	9-1/8	.07	.070 ±.006	1	8.70
573-375	9-1/2	9-7/8	.07	.070 ±.006	2	11.18
573-376	9-3/4	10-1/8	.07	.070 ±.004	1	49.45
1/4" C/S						
573-425	4-1/2	5	.105	.105 ±.006	3	\$4.71
573-426	4-5/8	5-1/8	.105	.105 ±.006	3	5.49
573-427	4-3/4	5-1/4	.105	.105 ±.006	3	6.03
573-428	4-7/8	5-3/8	.105	.105 ±.006	3	6.13
573-429	5	5-1/2	.105	.105 ±.006	3	6.13
573-430	5-1/8	5-5/8	.105	.105 ±.006	3	6.15
573-431	5-1/4	5-3/4	.105	.105 ±.006	3	6.29
573-432	5-3/8	5-7/8	.105	.105 ±.006	2	6.56
573-433	5-1/2	6	.105	.105 ±.006	2	6.82
573-434	5-5/8	6-1/8	.105	.105 ±.006	2	7.15
573-435	5-3/4	6-1/4	.105	.105 ±.006	2	7.37
573-436	5-7/8	6-3/8	.105	.105 ±.006	2	10.64
573-437	6	6-1/2	.105	.105 ±.006	2	7.65
573-438	6-1/4	6-3/4	.105	.105 ±.006	2	7.78
573-439	6-1/2	7	.105	.105 ±.006	2	8.04
573-440	6-3/4	7-1/4	.105	.105 ±.006	2	8.62
573-441	7	7-1/2	.105	.105 ±.006	2	9.02
573-442	7-1/4	7-3/4	.105	.105 ±.006	2	9.47
573-443	7-1/2	8	.105	.105 ±.006	2	11.18
573-444	7-3/4	8-1/4	.105	.105 ±.006	1	14.87
573-445	8	8-1/2	.105	.105 ±.006	1	14.39
573-446	8-1/2	9	.105	.105 ±.006	1	19.22
573-447	9	9-1/2	.105	.105 ±.006	1	19.97
573-448	9-1/2	10	.105	.105 ±.006	1	20.30
573-450	10-1/2	11	.105	.105 ±.006	1	21.99
573-451	11	11-1/2	.105	.105 ±.006	1	21.84
573-452	11-1/2	12	.105	.105 ±.006	1	21.84
573-453	12	12-1/2	.105	.105 ±.006	1	21.84
573-454	12-1/2	13	.105	.105 ±.006	1	21.84
573-455	13	13-1/2	.105	.105 ±.006	1	21.99

STYLE 574 BUNA-N BACK-UP RINGS

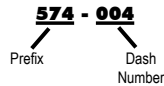


Molded of 90A Durometer Buna-N Rubber, these "Parback®" Style Dished Cross Section back-up rings provide excellent extrusion resistance. Stretched for installation, they return quickly to their original size for easy installation.

NOTE: Sizes (Dash No.) correspond to standard o-ring numbers.



HERCULES PART NUMBERS



SEAL INFORMATION	
MATERIAL	90A BUNA-N RUBBER
TEMPERATURE RANGE	-40° TO +240° F
PRESSURE RANGE	VARIABLE ACCORDING TO DIAMETRICAL CLEARANCE

Part Number	A Nom. ID	B Nom. OD	C Nom. Ht	th THICKNESS	Package Quantity	List Price
1/16" C/S						
574-004	5/64	13/64	.049	.045 ±.003	25	\$0.67
574-005	3/32	7/32	.049	.045 ±.003	25	0.67
574-006	1/8	1/4	.049	.045 ±.003	25	0.55
574-007	5/32	9/32	.049	.045 ±.003	25	0.53
574-008	3/16	5/16	.049	.045 ±.003	25	0.55
574-009	7/32	11/32	.049	.045 ±.003	25	0.55
574-010	1/4	3/8	.049	.045 ±.003	25	0.55
574-011	5/16	7/16	.049	.045 ±.003	25	0.55
574-012	3/8	1/2	.049	.045 ±.003	25	0.58
574-013	7/16	9/16	.049	.045 ±.003	25	0.60
574-014	1/2	5/8	.049	.045 ±.003	25	0.60
574-015	9/16	11/16	.049	.045 ±.003	25	0.65
574-016	5/8	3/4	.049	.045 ±.003	25	0.65
574-016V	5/8	3/4	.049	.045 ±.003	10	1.72
574-017	11/16	13/16	.049	.045 ±.003	25	0.65
574-018	3/4	7/8	.049	.045 ±.003	25	0.67
574-018V	3/4	7/8	.049	.045 ±.003	10	1.82
574-019	13/16	15/16	.049	.045 ±.003	25	0.67
574-020	7/8	1	.049	.045 ±.003	25	0.69
574-021	15/16	1-1/16	.049	.045 ±.003	25	0.75
574-022	1	1-1/8	.049	.045 ±.003	25	0.75
574-023	1-1/16	1-3/16	.049	.045 ±.003	25	0.80
574-024	1-1/8	1-1/4	.049	.045 ±.003	25	0.82
574-025	1-3/16	1-5/16	.049	.045 ±.003	25	0.82
574-026	1-1/4	1-3/8	.049	.045 ±.003	25	0.87
574-027	1-5/16	1-7/16	.049	.045 ±.003	25	0.91
574-028	1-3/8	1-1/2	.049	.045 ±.003	10	0.91
574-029	1-1/2	1-5/8	.049	.045 ±.003	10	0.98
574-030	1-5/8	1-3/4	.049	.045 ±.003	10	1.08
574-031	1-3/4	1-7/8	.049	.045 ±.003	10	1.11
574-032	1-7/8	2	.049	.045 ±.003	10	1.14
574-033	2	2-1/8	.049	.045 ±.003	10	1.25
574-034	2-1/8	2-1/4	.049	.045 ±.003	10	1.47
574-035	2-1/4	2-3/8	.049	.045 ±.003	10	1.47
574-036	2-3/8	2-1/2	.049	.045 ±.003	10	1.55
574-037	2-1/2	2-5/8	.049	.045 ±.003	10	1.58
574-038	2-5/8	2-3/4	.049	.045 ±.003	10	1.66
574-039	2-3/4	2-7/8	.049	.045 ±.003	10	1.80
574-040	2-7/8	3	.049	.045 ±.003	10	2.08
574-041	3	3-1/8	.049	.045 ±.003	10	2.56

BACK-UP RINGS

STYLE 574 BUNA-N BACK-UP RINGS

BACK-UP RINGS

Part Number	A Nom. ID	B Nom. OD	C Nom. Ht	th THICKNESS	Package Quantity	List Price
574-042	3-1/4	3-3/8	.049	.045 ±.003	10	2.56
574-043	3-1/2	3-5/8	.049	.045 ±.003	10	2.56
574-044	3-3/4	3-7/8	.049	.045 ±.003	5	3.56
574-045	4	4-1/8	.049	.045 ±.003	5	3.56
574-046	4-1/4	4-3/8	.049	.045 ±.003	5	3.83
574-047	4-1/2	4-5/8	.049	.045 ±.003	5	3.83
574-048	4-3/4	4-7/8	.049	.045 ±.003	5	4.35
574-049	5	5-1/8	.049	.045 ±.003	5	4.35
574-050	5-1/4	5-3/8	.049	.045 ±.003	5	4.35
3/32" C/S						
574-102	1/16	1/4	.053	.045 ±.003	25	\$0.55
574-103	3/32	9/32	.053	.045 ±.003	25	0.55
574-104	1/8	5/16	.053	.045 ±.003	25	0.55
574-105	5/32	11/32	.053	.045 ±.003	25	0.55
574-106	3/16	3/8	.053	.045 ±.003	25	0.55
574-107	7/32	13/32	.053	.045 ±.003	25	0.55
574-108	1/4	7/16	.053	.045 ±.003	25	0.55
574-109	5/16	1/2	.053	.045 ±.003	25	0.58
574-110	3/8	9/16	.053	.045 ±.003	25	0.58
574-111	7/16	5/8	.053	.045 ±.003	25	0.58
574-112	1/2	11/16	.053	.045 ±.003	25	0.58
574-113	9/16	3/4	.053	.045 ±.003	25	0.60
574-114	5/8	13/16	.053	.045 ±.003	25	0.60
574-115	11/16	7/8	.053	.045 ±.003	25	0.60
574-116	3/4	15/16	.053	.045 ±.003	25	0.65
574-117	13/16	1	.053	.045 ±.003	25	0.67
574-118	7/8	1-1/16	.053	.045 ±.003	25	0.69
574-119	15/16	1-1/8	.053	.045 ±.003	25	0.69
574-120	1	1-3/16	.053	.045 ±.003	25	0.75
574-120V	1	1-3/16	.053	.045 ±.003	10	1.76
574-121	1-1/16	1-1/4	.053	.045 ±.003	25	0.80
574-122	1-1/8	1-5/16	.053	.045 ±.003	25	0.82
574-123	1-3/16	1-3/8	.053	.045 ±.003	25	0.82
574-123V	1-3/16	1-3/8	.053	.045 ±.003	10	1.88
574-124	1-1/4	1-7/16	.053	.045 ±.003	25	0.87
574-125	1-5/16	1-1/2	.053	.045 ±.003	25	0.90
574-126	1-3/8	1-9/16	.053	.045 ±.003	10	0.98
574-126V	1-3/8	1-9/16	.053	.045 ±.003	10	1.95
574-127	1-7/16	1-5/8	.053	.045 ±.003	10	0.97
574-128	1-1/2	1-11/16	.053	.045 ±.003	10	0.98
574-129	1-9/16	1-3/4	.053	.045 ±.003	10	1.04
574-129V	1-9/16	1-3/4	.053	.045 ±.003	1	6.35
574-130	1-5/8	1-13/16	.053	.045 ±.003	10	1.08
574-131	1-11/16	1-7/8	.053	.045 ±.003	10	1.11
574-132	1-3/4	1-15/16	.053	.045 ±.003	10	1.11
574-133	1-13/16	2	.053	.045 ±.003	10	1.14
574-134	1-7/8	2-1/16	.053	.045 ±.003	10	1.15
574-135	1-15/16	2-1/8	.053	.045 ±.003	10	1.15
574-136	2	2-3/16	.053	.045 ±.003	10	1.25
574-137	2-1/16	2-1/4	.053	.045 ±.003	10	1.25
574-138	2-1/8	2-5/16	.053	.045 ±.003	10	1.43
574-139	2-3/16	2-3/8	.053	.045 ±.003	10	1.44
574-140	2-1/4	2-7/16	.053	.045 ±.003	10	1.47
574-141	2-5/16	2-1/2	.053	.045 ±.003	10	1.47
574-142	2-3/8	2-9/16	.053	.045 ±.003	10	1.55
574-143	2-7/16	2-5/8	.053	.045 ±.003	10	1.58
574-144	2-1/2	2-11/16	.053	.045 ±.003	10	1.64

Seal color may vary.

STYLE 574 BUNA-N BACK-UP RINGS

BACK-UP RINGS

Part Number	A Nom. ID	B Nom. OD	C Nom. Ht	th THICKNESS	Package Quantity	List Price
574-145	2-9/16	2-3/4	.053	.045 ±.003	10	1.64
574-146	2-5/8	2-13/16	.053	.045 ±.003	10	1.69
574-147	2-11/16	2-7/8	.053	.045 ±.003	10	1.75
574-148	2-3/4	2-15/16	.053	.045 ±.003	10	1.75
574-149	2-13/16	3	.053	.045 ±.003	10	1.76
574-150	2-7/8	3-1/16	.053	.045 ±.003	10	1.98
574-151	3	3-3/16	.053	.045 ±.003	10	2.13
574-152	3-1/4	3-7/16	.053	.045 ±.003	5	2.90
574-153	3-1/2	3-11/16	.053	.045 ±.003	5	3.31
574-154	3-3/4	3-15/16	.053	.045 ±.003	5	4.02
574-155	4	4-3/16	.053	.045 ±.003	5	4.42
574-156	4-1/4	4-7/16	.053	.045 ±.003	5	5.21
574-157	4-1/2	4-11/16	.053	.045 ±.003	5	5.25
574-158	4-3/4	4-15/16	.053	.045 ±.003	5	5.56
574-159	5	5-3/16	.053	.045 ±.003	1	5.68
574-160	5-1/4	5-7/16	.053	.045 ±.003	1	5.79
574-161	5-1/2	5-11/16	.053	.045 ±.003	1	5.95
574-162	5-3/4	5-15/16	.053	.045 ±.003	1	6.10
574-163	6	6-3/16	.053	.045 ±.003	1	7.58
574-164	6-1/4	6-7/16	.053	.045 ±.003	1	7.58
574-165	6-1/2	6-11/16	.053	.045 ±.003	1	7.58
574-166	6-3/4	6-15/16	.053	.045 ±.003	1	7.58
574-167	7	7-3/16	.053	.045 ±.003	1	7.58
574-168	7-1/4	7-7/16	.053	.045 ±.003	1	7.58
574-169	7-1/2	7-11/16	.053	.045 ±.003	1	9.23
574-170	7-3/4	7-15/16	.053	.045 ±.003	1	9.70
574-171	8	8-3/16	.053	.045 ±.003	1	10.64
574-172	8-1/4	8-7/16	.053	.045 ±.003	1	8.01
574-173	8-1/2	8-11/16	.053	.045 ±.003	1	10.52
574-174	8-3/4	8-15/16	.053	.045 ±.003	1	8.01
574-175	9	9-3/16	.053	.045 ±.003	1	8.33
574-176	9-1/4	9-7/16	.053	.045 ±.003	1	12.53
574-177	9-1/2	9-11/16	.053	.045 ±.003	1	12.97
574-178	9-3/4	9-15/16	.053	.045 ±.003	1	13.35
1/8" C/S						
574-202	1/4	1/2	.05	.040 ±.003	25	\$0.57
574-205	7/16	11/16	.05	.040 ±.003	25	0.60
574-206	1/2	3/4	.05	.040 ±.003	25	0.60
574-207	9/16	13/16	.05	.040 ±.003	25	0.60
574-208	5/8	7/8	.05	.040 ±.003	25	0.65
574-209	11/16	15/16	.05	.040 ±.003	25	0.65
574-210	3/4	1	.05	.040 ±.003	25	0.65
574-211	13/16	1-1/16	.05	.040 ±.003	25	0.67
574-212	7/8	1-1/8	.05	.040 ±.003	25	0.69
574-213	15/16	1-3/16	.05	.040 ±.003	25	0.69
574-214	1	1-1/4	.05	.040 ±.003	25	0.75
574-215	1-1/16	1-5/16	.05	.040 ±.003	25	0.75
574-216	1-1/8	1-3/8	.05	.040 ±.003	25	0.80
574-217	1-3/16	1-7/16	.05	.040 ±.003	25	0.82
574-218	1-1/4	1-1/2	.05	.040 ±.003	10	0.82
574-219	1-5/16	1-9/16	.05	.040 ±.003	10	0.90
574-220	1-3/8	1-5/8	.05	.040 ±.003	10	0.97
574-221	1-7/16	1-11/16	.05	.040 ±.003	10	0.93
574-222	1-1/2	1-3/4	.05	.040 ±.003	10	0.98
574-223	1-5/8	1-7/8	.05	.040 ±.003	10	1.08
574-224	1-3/4	2	.05	.040 ±.003	10	1.15
574-225	1-7/8	2-1/8	.05	.040 ±.003	10	1.25

STYLE 574 BUNA-N BACK-UP RINGS

BACK-UP RINGS

Part Number	A Nom. ID	B Nom. OD	C Nom. Ht	th THICKNESS	Package Quantity	List Price
574-226	2	2-1/4	.05	.040 ±.003	10	1.39
574-227	2-1/8	2-3/8	.05	.040 ±.003	10	1.47
574-228	2-1/4	2-1/2	.05	.040 ±.003	10	1.55
574-228V	2-1/4	2-1/2	.05	.040 ±.003	1	8.44
574-229	2-3/8	2-5/8	.05	.040 ±.003	10	1.65
574-230	2-1/2	2-3/4	.05	.040 ±.003	10	1.69
574-231	2-5/8	2-7/8	.05	.040 ±.003	10	1.80
574-232	2-3/4	3	.05	.040 ±.003	10	2.04
574-233	2-7/8	3-1/8	.05	.040 ±.003	10	2.05
574-233V	2-7/8	3-1/8	.05	.040 ±.003	1	10.71
574-234	3	3-1/4	.05	.040 ±.003	10	2.22
574-235	3-1/8	3-3/8	.05	.040 ±.003	10	2.45
574-236	3-1/4	3-1/2	.05	.040 ±.003	10	2.48
574-237	3-3/8	3-5/8	.05	.040 ±.003	10	2.49
574-238	3-1/2	3-3/4	.05	.040 ±.003	10	2.56
574-238V	3-1/2	3-3/4	.05	.040 ±.003	1	15.84
574-239	3-5/8	3-7/8	.05	.040 ±.003	10	2.56
574-239V	3-5/8	3-7/8	.05	.040 ±.003	1	16.38
574-240	3-3/4	4	.05	.040 ±.003	5	2.86
574-241	3-7/8	4-1/8	.05	.040 ±.003	5	2.90
574-242	4	4-1/4	.05	.040 ±.003	5	3.80
574-243	4-1/8	4-3/8	.05	.040 ±.003	5	3.31
574-244	4-1/4	4-1/2	.05	.040 ±.003	5	3.10
574-245	4-3/8	4-5/8	.05	.040 ±.003	5	3.53
574-246	4-1/2	4-3/4	.05	.040 ±.003	5	3.83
574-247	4-5/8	4-7/8	.05	.040 ±.003	5	4.02
574-247V	4-5/8	4-7/8	.05	.040 ±.003	1	21.22
574-248	4-3/4	5	.05	.040 ±.003	5	4.25
574-249	4-7/8	5-1/8	.05	.040 ±.003	5	4.32
574-250	5	5-1/4	.05	.040 ±.003	5	4.78
574-251	5-1/8	5-3/8	.05	.040 ±.003	5	5.02
574-252	5-1/4	5-1/2	.05	.040 ±.003	5	5.41
574-253	5-3/8	5-5/8	.05	.040 ±.003	5	5.56
574-254	5-1/2	5-3/4	.05	.040 ±.003	1	5.92
574-255	5-5/8	5-7/8	.05	.040 ±.003	1	5.95
574-256	5-3/4	6	.05	.040 ±.003	1	6.36
574-257	5-7/8	6-1/8	.05	.040 ±.003	1	6.56
574-258	6	6-1/4	.05	.040 ±.003	1	6.76
574-259	6-1/4	6-1/2	.05	.040 ±.003	1	7.17
574-260	6-1/2	6-3/4	.05	.040 ±.003	1	7.32
574-261	6-3/4	7	.05	.040 ±.003	1	7.75
574-262	7	7-1/4	.05	.040 ±.003	1	8.45
574-263	7-1/4	7-1/2	.05	.040 ±.003	1	8.91
574-264	7-1/2	7-3/4	.05	.040 ±.003	1	10.19
574-264V	7-1/2	7-3/4	.05	.040 ±.003	1	25.94
574-265	7-3/4	8	.05	.040 ±.003	1	10.30
574-266	8	8-1/4	.05	.040 ±.003	1	10.89
574-267	8-1/4	8-1/2	.05	.040 ±.003	1	11.38
574-268	8-1/2	8-3/4	.05	.040 ±.003	1	11.70
574-269	8-3/4	9	.05	.040 ±.003	1	11.95
574-270	9	9-1/4	.05	.040 ±.003	1	12.53
574-271	9-1/4	9-1/2	.05	.040 ±.003	1	13.03
574-272	9-1/2	9-3/4	.05	.040 ±.003	1	13.50
574-273	9-3/4	10	.05	.040 ±.003	1	14.01
574-274	10	10-1/4	.05	.040 ±.003	1	14.51
574-275	10-1/2	10-3/4	.05	.040 ±.003	1	15.26
574-276	11	11-1/4	.05	.040 ±.003	1	15.38

STYLE 574 BUNA-N BACK-UP RINGS



Part Number	A Nom. ID	B Nom. OD	C Nom. Ht	th THICKNESS	Package Quantity	List Price
574-277	11-1/2	11-3/4	.05	.040 ±.003	1	15.61
574-278	12	12-1/4	.05	.040 ±.003	1	15.72
574-279	13	13-1/4	.05	.040 ±.003	1	15.80
574-280	14	14-1/4	.05	.040 ±.003	1	15.95
574-281	15	15-1/4	.05	.040 ±.003	1	16.20
574-282	16	16-1/4	.05	.040 ±.003	1	16.28
574-283	17	17-1/4	.05	.040 ±.003	1	16.37
574-284	18	18-1/4	.05	.040 ±.003	1	16.60
3/16" C/S						
574-309	7/16	13/16	.076	.060 ±.004	25	\$0.65
574-310	1/2	7/8	.076	.060 ±.004	25	0.69
574-311	9/16	15/16	.076	.060 ±.004	25	5.73
574-312	5/8	1	.076	.060 ±.004	25	0.75
574-313	11/16	1-1/16	.076	.060 ±.004	10	0.80
574-314	3/4	1-1/8	.076	.060 ±.004	10	0.80
574-315	13/16	1-3/16	.076	.060 ±.004	10	0.90
574-316	7/8	1-1/4	.076	.070 ±.004	10	0.82
574-317	15/16	1-5/16	.076	.060 ±.004	10	0.87
574-318	1	1-3/8	.076	.060 ±.004	10	0.93
574-319	1-1/16	1-7/16	.076	.060 ±.004	10	0.93
574-320	1-1/8	1-1/2	.076	.060 ±.004	10	0.98
574-321	1-3/16	1-9/16	.076	.060 ±.004	10	1.11
574-322	1-1/4	1-5/8	.076	.060 ±.004	10	1.14
574-323	1-5/16	1-11/16	.076	.060 ±.004	10	1.18
574-324	1-3/8	1-3/4	.076	.060 ±.004	10	1.25
574-325	1-1/2	1-7/8	.076	.060 ±.004	10	1.39
574-326	1-5/8	2	.076	.060 ±.004	10	1.47
574-327	1-3/4	2-1/8	.076	.060 ±.004	10	1.54
574-328	1-7/8	2-1/4	.076	.060 ±.004	10	1.65
574-329	2	2-3/8	.076	.060 ±.004	10	1.86
574-330	2-1/8	2-1/2	.076	.060 ±.004	10	1.98
574-331	2-1/4	2-5/8	.076	.060 ±.004	10	2.04
574-332	2-3/8	2-3/4	.076	.060 ±.004	10	2.08
574-333	2-1/2	2-7/8	.076	.060 ±.004	10	2.13
574-334	2-5/8	3	.076	.060 ±.004	10	2.22
574-335	2-3/4	3-1/8	.076	.060 ±.004	10	2.43
574-336	2-7/8	3-1/4	.076	.060 ±.004	10	2.43
574-337	3	3-3/8	.076	.060 ±.004	10	2.56
574-338	3-1/8	3-1/2	.076	.060 ±.004	10	2.56
574-339	3-1/4	3-5/8	.076	.060 ±.004	10	2.70
574-340	3-3/8	3-3/4	.076	.060 ±.004	5	2.91
574-341	3-1/2	3-7/8	.076	.060 ±.004	5	2.91
574-342	3-5/8	4	.076	.060 ±.004	5	3.10
574-343	3-3/4	4-1/8	.076	.060 ±.004	5	3.48
574-344	3-7/8	4-1/4	.076	.060 ±.004	5	3.83
574-345	4	4-3/8	.076	.060 ±.004	5	3.98
574-346	4-1/8	4-1/2	.076	.060 ±.004	5	3.98
574-347	4-1/4	4-5/8	.076	.060 ±.004	5	3.99
574-348	4-3/8	4-3/4	.076	.060 ±.004	5	4.35
574-349	4-1/2	4-7/8	.076	.060 ±.004	5	4.28
574-350	4-5/8	5	.076	.060 ±.004	5	4.68
574-351	4-3/4	5-1/8	.076	.060 ±.004	5	4.77
574-352	4-7/8	5-1/4	.076	.060 ±.004	5	4.81
574-353	5	5-3/8	.076	.060 ±.004	5	5.16
574-354	5-1/8	5-1/2	.076	.060 ±.004	5	5.54
574-355	5-1/4	5-5/8	.076	.060 ±.004	1	5.93
574-356	5-3/8	5-3/4	.076	.060 ±.004	1	6.07

BACK-UP RINGS

STYLE 574 BUNA-N BACK-UP RINGS

BACK-UP RINGS

Part Number	A Nom. ID	B Nom. OD	C Nom. Ht	th THICKNESS	Package Quantity	List Price
574-357	5-1/2	5-7/8	.076	.060 ±.004	1	6.57
574-358	5-5/8	6	.076	.060 ±.004	1	6.68
574-359	5-3/4	6-1/8	.076	.060 ±.004	1	6.76
574-360	5-7/8	6-1/4	.076	.060 ±.004	1	6.93
574-361	6	6-3/8	.076	.060 ±.004	1	7.01
574-362	6-1/4	6-5/8	.076	.060 ±.004	1	8.01
574-363	6-1/2	6-7/8	.076	.060 ±.004	1	8.68
574-364	6-3/4	7-1/8	.076	.060 ±.004	1	8.77
574-365	7	7-3/8	.076	.060 ±.004	1	9.30
574-366	7-1/4	7-5/8	.076	.060 ±.004	1	9.30
574-367	7-1/2	7-7/8	.076	.060 ±.004	1	9.30
574-368	7-3/4	8-1/8	.076	.060 ±.004	1	9.30
574-369	8	8-3/8	.076	.060 ±.004	1	9.88
574-370	8-1/4	8-5/8	.076	.060 ±.004	1	9.88
574-371	8-1/2	8-7/8	.076	.060 ±.004	1	9.88
574-372	8-3/4	9-1/8	.076	.060 ±.004	1	10.08
574-373	9	9-3/8	.076	.060 ±.004	1	10.08
574-374	9-1/4	9-5/8	.076	.060 ±.004	1	12.38
574-375	9-1/2	9-7/8	.076	.060 ±.004	1	12.38
574-376	9-3/4	10-1/8	.076	.060 ±.004	1	12.29
574-377	10	10-3/8	.076	.060 ±.004	1	12.85
574-378	10-1/2	10-7/8	.076	.060 ±.004	1	12.85
574-379	11	11-3/8	.076	.060 ±.004	1	12.99
574-380	11-1/2	11-7/8	.076	.060 ±.004	1	12.99
574-381	12	12-3/8	.076	.060 ±.004	1	12.99
574-382	13	13-3/8	.076	.060 ±.004	1	13.29
574-383	14	14-3/8	.076	.060 ±.004	1	13.29
574-384	15	15-3/8	.076	.060 ±.004	1	13.29
1/4" C/S						
574-425	4-1/2	5	.117	.096 ±.005	1	\$5.61
574-426	4-5/8	5-1/8	.117	.096 ±.005	1	5.74
574-427	4-3/4	5-1/4	.117	.096 ±.005	1	5.79
574-428	4-7/8	5-3/8	.117	.096 ±.005	1	5.92
574-429	5	5-1/2	.117	.096 ±.005	1	6.01
574-430	5-1/8	5-5/8	.117	.096 ±.005	1	6.82
574-431	5-1/4	5-3/4	.117	.096 ±.005	1	7.28
574-432	5-3/8	5-7/8	.117	.096 ±.005	1	7.44
574-433	5-1/2	6	.117	.096 ±.005	1	7.65
574-434	5-5/8	6-1/8	.117	.096 ±.005	1	7.65
574-435	5-3/4	6-1/4	.117	.096 ±.005	1	7.72
574-436	5-7/8	6-3/8	.117	.096 ±.005	1	7.83
574-437	6	6-1/2	.117	.096 ±.005	1	8.48
574-438	6-1/4	6-3/4	.117	.096 ±.005	1	10.01
574-439	6-1/2	7	.117	.096 ±.005	1	10.16
574-440	6-3/4	7-1/4	.117	.096 ±.005	1	10.24
574-441	7	7-1/2	.117	.096 ±.005	1	10.85
574-442	7-1/4	7-3/4	.117	.096 ±.005	1	11.38
574-443	7-1/2	8	.117	.096 ±.005	1	12.02
574-444	7-3/4	8-1/4	.117	.096 ±.005	1	12.09
574-445	8	8-1/2	.117	.096 ±.005	1	12.17
574-446	8-1/2	9	.117	.096 ±.005	1	12.29
574-447	9	9-1/2	.117	.096 ±.005	1	12.35
574-448	9-1/2	10	.117	.096 ±.005	1	12.40
574-449	10	10-1/2	.117	.096 ±.005	1	12.57
574-450	10-1/2	11	.117	.096 ±.005	1	12.64
574-451	11	11-1/2	.117	.096 ±.005	1	12.76
574-452	11-1/2	12	.117	.096 ±.005	1	12.82

STYLE 574 BUNA-N BACK-UP RINGS

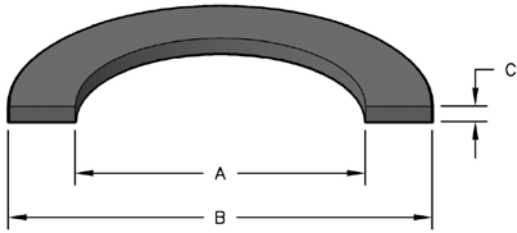


Part Number	A Nom. ID	B Nom. OD	C Nom. Ht	th THICKNESS	Package Quantity	List Price
574-453	12	12-1/2	.117	.096 ±.005	1	12.92
574-454	12-1/2	13	.117	.096 ±.005	1	13.04
574-455	13	13-1/2	.117	.096 ±.005	1	13.18
574-456	13-1/2	14	.117	.096 ±.005	1	13.29
574-457	14	14-1/2	.117	.096 ±.005	1	13.42
574-458	14-1/2	15	.117	.096 ±.005	1	13.72
574-459	15	15-1/2	.117	.096 ±.005	1	13.96
574-460	15-1/2	16	.117	.096 ±.005	1	14.16
574-461	16	16-1/2	.117	.096 ±.005	1	14.23
574-462	16-1/2	17	.117	.096 ±.005	1	14.29
574-463	17	17-1/2	.117	.096 ±.005	1	14.44
574-464	17-1/2	18	.117	.096 ±.005	1	14.87
574-465	18	18-1/2	.117	.096 ±.005	1	15.26
574-466	18-1/2	19	.117	.096 ±.005	1	15.92
574-467	19	19-1/2	.117	.096 ±.005	1	16.88
574-468	19-1/2	20	.117	.096 ±.005	1	17.52
574-469	20	20-1/2	.117	.096 ±.005	1	18.41
574-470	21	21-1/2	.117	.096 ±.005	1	19.62
574-471	22	22-1/2	.117	.096 ±.005	1	20.54
574-472	23	23-1/2	.117	.096 ±.005	1	21.72
574-473	24	24-1/2	.117	.096 ±.005	1	22.77

BACK-UP RINGS

STYLE 575 URETHANE BACK-UP RINGS

Molded of 95A Durometer Urethane these back-up rings provide excellent extrusion resistance. Stretched for installation, they return quickly to their original size for easy installation. **NOTE:** Sizes (Dash No.) correspond to standard o-ring numbers.



HERCULES PART NUMBERS

575 - 004
Prefix Dash Number

SEAL INFORMATION

MATERIAL	95A DUROMETER URETHANE
TEMPERATURE RANGE	-65° TO +220° F
PRESSURE RANGE	VARIABLE ACCORDING TO DIAMETRAL CLEARANCE

BACK-UP RINGS

Part Number	A Nom. ID	B Nom. OD	C Nom. Ht	th THICKNESS	Package Quantity	List Price
1/16" C/S						
575-004	5/64	13/64	.045	.045 ±.003	10	\$1.87
575-005	3/32	7/32	.045	.045 ±.003	10	1.87
575-006	1/8	1/4	.045	.045 ±.003	10	1.87
575-007	5/32	9/32	.045	.045 ±.003	10	1.87
575-008	3/16	5/16	.045	.045 ±.003	10	1.87
575-009	7/32	11/32	.045	.045 ±.003	10	1.87
575-010	1/4	3/8	.04	.040 ±.003	10	1.87
575-011	5/16	7/16	.04	.040 ±.003	10	1.37
575-012	3/8	1/2	.04	.040 ±.003	10	1.37
575-013	7/16	9/16	.04	.040 ±.003	10	1.37
575-014	1/2	5/8	.04	.040 ±.003	10	1.37
575-015	9/16	11/16	.04	.040 ±.003	10	1.37
575-016	5/8	3/4	.04	.040 ±.003	10	1.61
575-017	11/16	13/16	.04	.040 ±.003	10	1.61
575-018	3/4	7/8	.04	.040 ±.003	10	1.61
575-019	13/16	15/16	.04	.040 ±.003	10	1.61
575-020	7/8	1	.04	.040 ±.003	10	1.61
575-021	15/16	1-1/16	.04	.040 ±.003	10	1.61
575-022	1	1-1/8	.04	.040 ±.003	10	1.61
575-023	1-1/16	1-3/16	.04	.040 ±.003	10	1.61
575-024	1-1/8	1-1/4	.04	.040 ±.003	10	1.61
575-025	1-3/16	1-5/16	.04	.040 ±.003	10	1.61
575-026	1-1/4	1-3/8	.04	.040 ±.003	10	1.79
575-027	1-5/16	1-7/16	.04	.040 ±.003	10	1.79
575-028	1-3/8	1-1/2	.04	.040 ±.003	10	1.79
575-029	1-1/2	1-5/8	.04	.040 ±.003	10	1.79
575-030	1-5/8	1-3/4	.04	.040 ±.003	10	1.79
575-031	1-3/4	1-7/8	.04	.040 ±.003	10	1.79
575-032	1-7/8	2	.04	.040 ±.003	10	1.79
575-033	2	2-1/8	.04	.040 ±.003	10	1.87
575-034	2-1/8	2-1/4	.04	.040 ±.003	10	1.87
575-035	2-1/4	2-3/8	.04	.040 ±.003	10	1.87
575-036	2-3/8	2-1/2	.04	.040 ±.003	10	1.87
575-037	2-1/2	2-5/8	.04	.040 ±.003	10	1.87
575-038	2-5/8	2-3/4	.04	.040 ±.003	10	1.87
575-039	2-3/4	2-7/8	.04	.040 ±.003	10	2.00
575-040	2-7/8	3	.04	.040 ±.003	10	2.09
575-041	3	3-1/8	.04	.040 ±.003	10	2.12
575-042	3-1/4	3-3/8	.04	.040 ±.003	10	2.15
575-043	3-1/2	3-5/8	.04	.040 ±.003	10	2.19

STYLE 575 URETHANE BACK-UP RINGS

BACK-UP RINGS

Part Number	A Nom. ID	B Nom. OD	C Nom. Ht	th THICKNESS	Package Quantity	List Price
575-044	3-3/4	3-7/8	.04	.040 ±.003	10	2.31
575-045	4	4-1/8	.04	.040 ±.003	5	2.43
575-046	4-1/4	4-3/8	.04	.040 ±.003	5	2.54
575-047	4-1/2	4-5/8	.04	.040 ±.003	5	2.63
575-048	4-3/4	4-7/8	.04	.040 ±.003	5	2.70
575-049	5	5-1/8	.04	.040 ±.003	5	2.80
575-050	5-1/4	5-3/8	.04	.040 ±.003	5	2.87
3/32" C/S						
575-102	1/16	1/4	.045	.045 ±.003	10	\$2.61
575-103	3/32	9/32	.045	.045 ±.003	10	1.46
575-104	1/8	5/16	.05	.050 ±.005	10	1.46
575-105	5/32	11/32	.045	.045 ±.003	10	1.46
575-106	3/16	3/8	.045	.045 ±.003	10	1.46
575-107	7/32	13/32	.045	.045 ±.003	10	1.46
575-108	1/4	7/16	.04	.040 ±.003	10	1.46
575-109	5/16	1/2	.04	.040 ±.003	10	1.46
575-110	3/8	9/16	.04	.040 ±.003	10	1.46
575-111	7/16	5/8	.04	.040 ±.003	10	1.46
575-112	1/2	11/16	.04	.040 ±.003	10	1.46
575-113	9/16	3/4	.04	.040 ±.003	10	1.46
575-114	5/8	13/16	.04	.040 ±.003	10	1.37
575-115	11/16	7/8	.04	.040 ±.003	10	1.37
575-116	3/4	15/16	.04	.040 ±.003	10	1.37
575-117	13/16	1	.04	.040 ±.003	10	1.46
575-118	7/8	1-1/16	.04	.040 ±.003	10	1.46
575-119	15/16	1-1/8	.04	.040 ±.003	10	1.46
575-120	1	1-3/16	.04	.040 ±.003	10	1.54
575-121	1-1/16	1-1/4	.04	.040 ±.003	10	1.54
575-122	1-1/8	1-5/16	.04	.040 ±.003	10	1.54
575-123	1-3/16	1-3/8	.04	.040 ±.003	10	1.54
575-124	1-1/4	1-7/16	.04	.040 ±.003	10	1.61
575-125	1-5/16	1-1/2	.04	.040 ±.003	10	1.61
575-126	1-3/8	1-9/16	.04	.040 ±.003	10	1.79
575-127	1-7/16	1-5/8	.04	.040 ±.003	10	1.79
575-128	1-1/2	1-11/16	.04	.040 ±.003	10	1.79
575-129	1-9/16	1-3/4	.04	.040 ±.003	10	1.79
575-130	1-5/8	1-13/16	.04	.040 ±.003	10	1.79
575-131	1-11/16	1-7/8	.04	.040 ±.003	10	1.79
575-132	1-3/4	1-15/16	.04	.040 ±.003	10	1.79
575-133	1-13/16	2	.04	.040 ±.003	10	1.79
575-134	1-7/8	2-1/16	.04	.040 ±.003	10	1.79
575-135	1-15/16	2-1/8	.04	.040 ±.003	10	1.79
575-136	2	2-3/16	.04	.040 ±.003	10	1.79
575-137	2-1/16	2-1/4	.04	.040 ±.003	10	1.79
575-138	2-1/8	2-5/16	.04	.040 ±.003	10	1.79
575-139	2-3/16	2-3/8	.04	.040 ±.003	10	1.79
575-140	2-1/4	2-7/16	.04	.040 ±.003	10	1.82
575-141	2-5/16	2-1/2	.04	.040 ±.003	10	1.82
575-142	2-3/8	2-9/16	.04	.040 ±.003	10	1.82
575-143	2-7/16	2-5/8	.04	.040 ±.003	10	1.87
575-144	2-1/2	2-11/16	.04	.040 ±.003	10	2.00
575-145	2-9/16	2-3/4	.04	.040 ±.003	10	2.00
575-146	2-5/8	2-13/16	.04	.040 ±.003	10	2.00
575-147	2-11/16	2-7/8	.04	.040 ±.003	10	2.00
575-148	2-3/4	2-15/16	.04	.040 ±.003	10	2.00
575-149	2-13/16	3	.04	.040 ±.003	10	2.00
575-150	2-7/8	3-1/16	.04	.040 ±.003	10	2.09

STYLE 575 URETHANE BACK-UP RINGS

BACK-UP RINGS

Part Number	A Nom. ID	B Nom. OD	C Nom. Ht	th THICKNESS	Package Quantity	List Price
575-151	3	3-3/16	.04	.040 ±.003	10	2.09
575-152	3-1/4	3-7/16	.04	.040 ±.003	5	2.79
575-153	3-1/2	3-11/16	.04	.040 ±.003	5	2.81
575-154	3-3/4	3-15/16	.04	.040 ±.003	5	4.37
575-155	4	4-3/16	.04	.040 ±.003	5	4.39
575-156	4-1/4	4-7/16	.04	.040 ±.003	5	4.43
575-157	4-1/2	4-11/16	.04	.040 ±.003	5	4.43
575-158	4-3/4	4-15/16	.04	.040 ±.003	5	4.71
575-159	5	5-3/16	.04	.040 ±.003	1	4.82
575-160	5-1/4	5-7/16	.04	.040 ±.003	1	4.92
575-161	5-1/2	5-11/16	.04	.040 ±.003	1	5.00
575-162	5-3/4	5-15/16	.04	.040 ±.003	1	5.16
575-163	6	6-3/16	.04	.040 ±.003	1	5.60
575-164	6-1/4	6-7/16	.04	.040 ±.003	1	5.95
575-165	6-1/2	6-11/16	.04	.040 ±.003	1	6.01
575-166	6-3/4	6-15/16	.04	.040 ±.003	1	6.13
575-167	7	7-3/16	.04	.040 ±.003	1	6.17
575-168	7-1/4	7-7/16	.04	.040 ±.003	1	6.24
575-169	7-1/2	7-11/16	.04	.040 ±.003	1	6.35
575-170	7-3/4	7-15/16	.04	.040 ±.003	1	6.39
575-171	8	8-3/16	.04	.040 ±.003	1	6.46
575-172	8-1/4	8-7/16	.04	.040 ±.003	1	6.57
575-173	8-1/2	8-11/16	.04	.040 ±.003	1	6.60
575-174	8-3/4	8-15/16	.04	.040 ±.003	1	6.68
575-175	9	9-3/16	.04	.040 ±.003	1	6.74
1/8" C/S						
575-205	7/16	11/16	.04	.040 ±.003	10	\$1.37
575-206	1/2	3/4	.04	.040 ±.003	10	1.37
575-207	9/16	13/16	.04	.040 ±.003	10	1.37
575-208	5/8	7/8	.04	.040 ±.003	10	1.37
575-209	11/16	15/16	.04	.040 ±.003	10	1.37
575-210	3/4	1	.04	.040 ±.003	10	1.46
575-211	13/16	1-1/16	.04	.040 ±.003	10	1.46
575-212	7/8	1-1/8	.04	.040 ±.003	10	1.46
575-213	15/16	1-3/16	.04	.040 ±.003	10	1.46
575-214	1	1-1/4	.04	.040 ±.003	10	1.46
575-215	1-1/16	1-5/16	.04	.040 ±.003	10	1.54
575-216	1-1/8	1-3/8	.04	.040 ±.003	10	1.54
575-217	1-3/16	1-7/16	.04	.040 ±.003	10	1.54
575-218	1-1/4	1-1/2	.04	.040 ±.003	10	1.54
575-219	1-5/16	1-9/16	.04	.040 ±.003	10	1.54
575-220	1-3/8	1-5/8	.04	.040 ±.003	10	1.61
575-221	1-7/16	1-11/16	.04	.040 ±.003	10	1.61
575-222	1-1/2	1-3/4	.04	.040 ±.003	10	1.61
575-223	1-5/8	1-7/8	.04	.040 ±.003	10	1.68
575-224	1-3/4	2	.04	.040 ±.003	10	1.68
575-225	1-7/8	2-1/8	.04	.040 ±.003	10	1.79
575-226	2	2-1/4	.04	.040 ±.003	10	1.79
575-227	2-1/8	2-3/8	.04	.040 ±.003	10	1.79
575-228	2-1/4	2-1/2	.04	.040 ±.003	10	1.79
575-229	2-3/8	2-5/8	.04	.040 ±.003	10	1.79
575-230	2-1/2	2-3/4	.04	.040 ±.003	10	2.02
575-231	2-5/8	2-7/8	.04	.040 ±.003	10	2.02
575-232	2-3/4	3	.04	.040 ±.003	10	2.02
575-233	2-7/8	3-1/8	.04	.040 ±.003	10	2.02
575-234	3	3-1/4	.04	.040 ±.003	10	2.22
575-235	3-1/8	3-3/8	.04	.040 ±.003	10	2.22

STYLE 575 URETHANE BACK-UP RINGS

BACK-UP RINGS

Part Number	A Nom. ID	B Nom. OD	C Nom. Ht	th THICKNESS	Package Quantity	List Price
575-236	3-1/4	3-1/2	.04	.040 ±.003	10	2.22
575-237	3-3/8	3-5/8	.04	.040 ±.003	5	2.58
575-238	3-1/2	3-3/4	.04	.040 ±.003	5	2.58
575-239	3-5/8	3-7/8	.04	.040 ±.003	5	3.13
575-240	3-3/4	4	.04	.040 ±.003	5	3.20
575-241	3-7/8	4-1/8	.04	.040 ±.003	5	3.20
575-242	4	4-1/4	.04	.040 ±.003	5	3.20
575-243	4-1/8	4-3/8	.04	.040 ±.003	5	3.20
575-244	4-1/4	4-1/2	.04	.040 ±.003	5	3.94
575-245	4-3/8	4-5/8	.04	.040 ±.003	5	3.94
575-246	4-1/2	4-3/4	.04	.040 ±.003	5	4.46
575-247	4-5/8	4-7/8	.04	.040 ±.003	5	4.46
575-248	4-3/4	5	.04	.040 ±.003	1	4.73
575-249	4-7/8	5-1/8	.04	.040 ±.003	1	4.95
575-250	5	5-1/4	.04	.040 ±.003	1	5.16
575-251	5-1/8	5-3/8	.04	.040 ±.003	1	5.59
575-252	5-1/4	5-1/2	.04	.040 ±.003	1	5.86
575-253	5-3/8	5-5/8	.04	.040 ±.003	1	6.20
575-254	5-1/2	5-3/4	.04	.040 ±.003	1	6.47
575-255	5-5/8	5-7/8	.04	.040 ±.003	1	6.71
575-256	5-3/4	6	.04	.040 ±.003	1	7.00
575-257	5-7/8	6-1/8	.04	.040 ±.003	1	7.40
575-258	6	6-1/4	.04	.040 ±.003	1	7.59
575-259	6-1/4	6-1/2	.04	.040 ±.003	1	7.59
575-260	6-1/2	6-3/4	.04	.040 ±.003	1	7.96
575-261	6-3/4	7	.04	.040 ±.003	1	8.27
575-262	7	7-1/4	.04	.040 ±.003	1	8.44
575-263	7-1/4	7-1/2	.04	.040 ±.003	1	8.83
575-264	7-1/2	7-3/4	.04	.040 ±.003	1	9.44
575-265	7-3/4	8	.04	.040 ±.003	1	9.96
575-266	8	8-1/4	.04	.040 ±.003	1	11.57
575-267	8-1/4	8-1/2	.04	.040 ±.003	1	11.74
575-268	8-1/2	8-3/4	.04	.040 ±.003	1	12.03
575-269	8-3/4	9	.04	.040 ±.003	1	12.03
575-270	9	9-1/4	.04	.040 ±.003	1	12.38
575-271	9-1/4	9-1/2	.04	.040 ±.003	1	12.63
575-272	9-1/2	9-3/4	.04	.040 ±.003	1	12.76
575-273	9-3/4	10	.04	.040 ±.003	1	12.90
575-274	10	10-1/4	.04	.040 ±.003	1	12.99
575-275	10-1/2	10-3/4	.04	.040 ±.003	1	13.15
575-276	11	11-1/4	.04	.040 ±.003	1	13.26
575-278	12	12-1/4	.04	.040 ±.003	1	13.40
575-279	13	13-1/4	.04	.040 ±.003	1	13.46
.163" C/S						
575-6.165X0.163X0.062U	6.165	6.491	.062	.062 ±.004	1	\$23.21
3/16" C/S						
575-309	7/16	13/16	.055	.055 ±.004	10	\$1.37
575-310	1/2	7/8	.055	.055 ±.004	10	1.37
575-311	9/16	15/16	.055	.055 ±.004	10	1.37
575-312	5/8	1	.055	.055 ±.004	10	1.46
575-313	11/16	1-1/16	.055	.055 ±.004	10	1.46
575-314	3/4	1-1/8	.055	.055 ±.004	10	1.54
575-315	13/16	1-3/16	.055	.055 ±.004	10	1.54
575-316	7/8	1-1/4	.055	.055 ±.004	10	1.54
575-317	15/16	1-5/16	.055	.055 ±.004	10	1.54
575-318	1	1-3/8	.055	.055 ±.004	10	1.54
575-319	1-1/16	1-7/16	.055	.055 ±.004	10	1.54

STYLE 575 URETHANE BACK-UP RINGS

BACK-UP RINGS

Part Number	A Nom. ID	B Nom. OD	C Nom. Ht	th THICKNESS	Package Quantity	List Price
575-320	1-1/8	1-1/2	.055	.055 ±.004	10	1.54
575-321	1-3/16	1-9/16	.055	.055 ±.004	10	1.54
575-322	1-1/4	1-5/8	.055	.055 ±.004	10	1.54
575-323	1-5/16	1-11/16	.055	.055 ±.004	10	1.68
575-324	1-3/8	1-3/4	.055	.055 ±.004	10	1.68
575-325	1-1/2	1-7/8	.055	.055 ±.004	10	1.68
575-326	1-5/8	2	.055	.055 ±.004	10	1.79
575-327	1-3/4	2-1/8	.055	.055 ±.004	10	1.79
575-328	1-7/8	2-1/4	.055	.055 ±.004	10	1.79
575-329	2	2-3/8	.055	.055 ±.004	10	1.79
575-330	2-1/8	2-1/2	.055	.055 ±.004	10	1.79
575-331	2-1/4	2-5/8	.055	.055 ±.004	10	1.79
575-332	2-3/8	2-3/4	.055	.055 ±.004	10	1.48
575-333	2-1/2	2-7/8	.055	.055 ±.004	10	1.82
575-334	2-5/8	3	.055	.055 ±.004	10	1.87
575-335	2-3/4	3-1/8	.055	.055 ±.004	10	2.02
575-336	2-7/8	3-1/4	.055	.055 ±.004	10	2.02
575-337	3	3-3/8	.055	.055 ±.004	10	2.15
575-338	3-1/8	3-1/2	.055	.055 ±.004	10	2.15
575-339	3-1/4	3-5/8	.055	.055 ±.004	10	2.27
575-340	3-3/8	3-3/4	.055	.055 ±.004	5	2.44
575-341	3-1/2	3-7/8	.055	.055 ±.004	5	2.44
575-342	3-5/8	4	.055	.055 ±.004	5	2.65
575-343	3-3/4	4-1/8	.055	.055 ±.004	5	2.97
575-344	3-7/8	4-1/4	.055	.055 ±.004	5	3.33
575-345	4	4-3/8	.055	.055 ±.004	5	3.59
575-346	4-1/8	4-1/2	.055	.055 ±.004	5	3.89
575-347	4-1/4	4-5/8	.055	.055 ±.004	5	4.06
575-348	4-3/8	4-3/4	.055	.055 ±.004	5	4.32
575-349	4-1/2	4-7/8	.055	.055 ±.004	5	4.46
575-350	4-5/8	5	.055	.055 ±.004	5	4.60
575-351	4-3/4	5-1/8	.055	.055 ±.004	1	5.16
575-352	4-7/8	5-1/4	.055	.055 ±.004	1	5.25
575-353	5	5-3/8	.055	.055 ±.004	1	5.31
575-354	5-1/8	5-1/2	.055	.055 ±.004	1	5.53
575-355	5-1/4	5-5/8	.055	.055 ±.004	1	5.86
575-356	5-3/8	5-3/4	.055	.055 ±.004	1	6.04
575-357	5-1/2	5-7/8	.055	.055 ±.004	1	6.65
575-358	5-5/8	6	.055	.055 ±.004	1	6.65
575-359	5-3/4	6-1/8	.055	.055 ±.004	1	7.00
575-360	5-7/8	6-1/4	.055	.055 ±.004	1	7.35
575-361	6	6-3/8	.055	.055 ±.004	1	7.83
575-362	6-1/4	6-5/8	.055	.055 ±.004	1	7.54
575-363	6-1/2	6-7/8	.055	.055 ±.004	1	7.83
575-364	6-3/4	7-1/8	.055	.055 ±.004	1	7.83
575-365	7	7-3/8	.055	.055 ±.004	1	7.83
575-366	7-1/4	7-5/8	.055	.055 ±.004	1	7.83
575-367	7-1/2	7-7/8	.055	.055 ±.004	1	7.83
575-368	7-3/4	8-1/8	.055	.055 ±.004	1	7.83
575-369	8	8-3/8	.055	.055 ±.004	1	7.98
575-370	8-1/4	8-5/8	.055	.055 ±.004	1	8.30
575-371	8-1/2	8-7/8	.055	.055 ±.004	1	7.98
575-372	8-3/4	9-1/8	.055	.055 ±.004	1	8.48
575-373	9	9-3/8	.055	.055 ±.004	1	8.48
575-374	9-1/4	9-5/8	.055	.055 ±.004	1	8.80
575-375	9-1/2	9-7/8	.055	.055 ±.004	1	8.80
575-376	9-3/4	10-1/8	.055	.055 ±.004	1	8.80

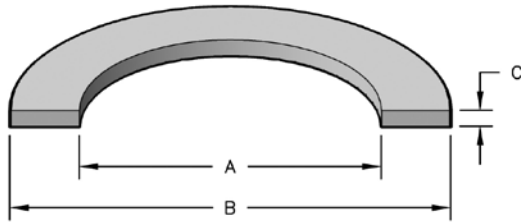
STYLE 575 URETHANE BACK-UP RINGS

BACK-UP RINGS

Part Number	A Nom. ID	B Nom. OD	C Nom. Ht	th THICKNESS	Package Quantity	List Price
575-377	10	10-3/8	.055	.055 ±.004	1	8.80
575-379	11	11-3/8	.055	.055 ±.004	1	10.28
575-381	12	12-3/8	.055	.055 ±.004	1	10.55
575-382	13	13-3/8	.055	.055 ±.004	1	11.38
575-383	14	14-3/8	.055	.055 ±.004	1	10.85
1/4" C/S						
575-421	4	4-1/2	.085	.085 ±.005	3	\$5.11
575-425	4-1/2	5	.085	.085 ±.005	3	4.60
575-426	4-5/8	5-1/8	.085	.085 ±.005	3	4.66
575-427	4-3/4	5-1/4	.085	.085 ±.005	1	5.92
575-428	4-7/8	5-3/8	.085	.085 ±.005	1	5.99
575-429	5	5-1/2	.085	.085 ±.005	1	5.99
575-430	5-1/8	5-5/8	.085	.085 ±.005	1	6.03
575-431	5-1/4	5-3/4	.085	.085 ±.005	1	6.14
575-432	5-3/8	5-7/8	.085	.085 ±.005	1	6.39
575-433	5-1/2	6	.085	.085 ±.005	1	6.68
575-434	5-5/8	6-1/8	.085	.085 ±.005	1	6.96
575-435	5-3/4	6-1/4	.085	.085 ±.005	1	7.22
575-436	5-7/8	6-3/8	.085	.085 ±.005	1	7.25
575-437	6	6-1/2	.085	.085 ±.005	1	7.46
575-438	6-1/4	6-3/4	.085	.085 ±.005	1	7.58
575-439	6-1/2	7	.085	.085 ±.005	1	7.79
575-440	6-3/4	7-1/4	.085	.085 ±.005	1	8.41
575-441	7	7-1/2	.085	.085 ±.005	1	8.80
575-442	7-1/4	7-3/4	.085	.085 ±.005	1	9.23
575-443	7-1/2	8	.085	.085 ±.005	1	10.92
575-444	7-3/4	8-1/4	.085	.085 ±.005	1	14.51
575-445	8	8-1/2	.085	.085 ±.005	1	14.04
575-446	8-1/2	9	.085	.085 ±.005	1	18.75
575-447	9	9-1/2	.085	.085 ±.005	1	19.50
575-448	9-1/2	10	.085	.085 ±.005	1	19.78
575-449	10	10-1/2	.085	.085 ±.005	1	19.78
575-450	10-1/2	11	.085	.085 ±.005	1	21.45
575-451	11	11-1/2	.085	.085 ±.005	1	21.45
575-452	11-1/2	12	.085	.085 ±.005	1	21.45
575-453	12	12-1/2	.085	.085 ±.005	1	21.45
575-454	12-1/2	13	.096	.096 ±.005	1	21.45
575-455	13	13-1/2	.085	.085 ±.005	1	21.45
575-456	13-1/2	14	.085	.085 ±.005	1	21.45
575-457	14	14-1/2	.085	.085 ±.005	1	11.91
575-460	15-1/2	16	.085	.085 ±.005	1	13.90

STYLE 575 PTFE BACK-UP RINGS

Letter suffix: T = Solid, ST = Split, TS = Spiral Cut, TW = .085 Wide



HERCULES PART NUMBERS

575 - 004 ST
 Prefix Dash Number

SEAL INFORMATION

MATERIAL	PTFE
TEMPERATURE RANGE	-325° TO +500° F
PRESSURE RANGE	VARIES ACCORDING TO DIAMETRAL CLEARANCE

BACK-UP RINGS

Part Number	A Nom. ID	B Nom. OD	C Nom. Ht	th THICKNESS	Package Quantity	List Price
1/16" C/S						
575-016TS	5/8	3/4	.05	.054 ±.004	10	\$2.61
575-039T	2-3/4	2-7/8	.05	.050 +.002 -.005	2	11.65
575-004ST	5/64	13/64	.05	.050 +.002 -.005	6	2.76
575-005ST	3/32	7/32	.05	.050 +.002 -.005	6	2.76
575-006ST	1/8	1/4	.05	.050 +.002 -.005	6	2.76
575-007ST	5/32	9/32	.05	.050 +.002 -.005	6	2.89
575-008ST	3/16	5/16	.05	.050 +.002 -.005	6	2.89
575-009ST	7/32	11/32	.05	.050 +.002 -.005	6	2.89
575-009T	7/32	11/32	.05	.050 +.002 -.005	6	0.48
575-010ST	1/4	3/8	.05	.050 +.002 -.005	12	1.37
575-010T	1/4	3/8	.05	.050 +.002 -.005	6	1.64
575-011ST	5/16	7/16	.05	.050 +.002 -.005	6	3.03
575-011T	5/16	7/16	.05	.050 +.002 -.005	1	3.23
575-012ST	3/8	1/2	.05	.050 +.002 -.005	10	3.03
575-013ST	7/16	9/16	.05	.050 +.002 -.005	6	3.03
575-014ST	1/2	5/8	.05	.050 +.002 -.005	6	3.11
575-015ST	9/16	11/16	.05	.050 +.002 -.005	6	3.11
575-016ST	5/8	3/4	.05	.050 +.002 -.005	10	1.70
575-017ST	11/16	13/16	.05	.050 +.002 -.005	5	3.26
575-018ST	3/4	7/8	.05	.050 +.002 -.005	5	3.34
575-018T	3/4	7/8	.05	.050 +.002 -.005	5	0.78
575-019ST	13/16	15/16	.05	.050 +.002 -.005	5	3.34
575-020ST	7/8	1	.05	.050 +.002 -.005	5	3.40
575-020T	7/8	1	.05	.050 +.002 -.005	5	3.63
575-021ST	15/16	1-1/16	.05	.050 +.002 -.005	5	3.40

STYLE 575 PTFE BACK-UP RINGS

BACK-UP RINGS

Part Number	A Nom. ID	B Nom. OD	C Nom. Ht	th THICKNESS	Package Quantity	List Price
575-022ST	1	1-1/8	.05	.050 ^{+0.002} / _{-.005}	5	3.40
575-022T	1	1-1/8	.05	.050 ^{+0.002} / _{-.005}	5	3.63
575-023ST	1-1/16	1-3/16	.05	.050 ^{+0.002} / _{-.005}	5	3.40
575-024ST	1-1/8	1-1/4	.05	.050 ^{+0.002} / _{-.005}	5	3.59
575-025ST	1-3/16	1-5/16	.05	.050 ^{+0.002} / _{-.005}	5	3.59
575-026ST	1-1/4	1-3/8	.05	.050 ^{+0.002} / _{-.005}	4	3.96
575-026T	1-1/4	1-3/8	.05	.050 ^{+0.002} / _{-.005}	4	4.23
575-027ST	1-5/16	1-7/16	.05	.050 ^{+0.002} / _{-.005}	4	4.56
575-028ST	1-3/8	1-1/2	.05	.050 ^{+0.002} / _{-.005}	4	4.75
575-029ST	1-1/2	1-5/8	.05	.050 ^{+0.002} / _{-.005}	3	4.71
575-029T	1-1/2	1-5/8	.05	.050 ^{+0.002} / _{-.005}	3	15.69
575-030ST	1-5/8	1-3/4	.05	.050 ^{+0.002} / _{-.005}	3	5.99
575-031T	1-3/4	1-7/8	.05	.050 ^{+0.002} / _{-.005}	2	11.65
575-032T	1-7/8	2	.05	.050 ^{+0.002} / _{-.005}	2	11.65
575-033ST	2	2-1/8	.05	.050 ^{+0.002} / _{-.005}	2	10.87
575-033T	2	2-1/8	.05	.050 ^{+0.002} / _{-.005}	2	11.65
575-034T	2-1/8	2-1/4	.05	.050 ^{+0.002} / _{-.005}	2	11.65
575-036T	2-3/8	2-1/2	.05	.050 ^{+0.002} / _{-.005}	2	11.65
575-037T	2-1/2	2-5/8	.05	.050 ^{+0.002} / _{-.005}	2	11.65
575-038ST	2-5/8	2-3/4	.05	.050 ^{+0.002} / _{-.005}	1	6.03
575-038T	2-5/8	2-3/4	.05	.050 ^{+0.002} / _{-.005}	2	11.65
575-041T	3	3-1/8	.05	.050 ^{+0.002} / _{-.005}	2	14.72
575-044T	3-3/4	3-7/8	.05	.050 ^{+0.002} / _{-.005}	2	25.23
575-045T	4	4-1/8	.05	.050 ^{+0.002} / _{-.005}	2	19.55
3/32" C/S						
575-110ST	3/8	9/16	.05	.050 ^{+0.002} / _{-.005}	6	\$3.07
575-111ST	7/16	5/8	.05	.050 ^{+0.002} / _{-.005}	5	3.26
575-111T	7/16	5/8	.05	.050 ^{+0.002} / _{-.005}	1	0.43
575-112ST	1/2	11/16	.05	.050 ^{+0.002} / _{-.005}	5	3.44
575-112T	1/2	11/16	.05	.050 ^{+0.002} / _{-.005}	5	3.67
575-112TS	1/2	11/16	.05	.054 ±0.004	5	7.45
575-113ST	9/16	3/4	.05	.050 ^{+0.002} / _{-.005}	5	3.78
575-114ST	5/8	13/16	.05	.050 ^{+0.002} / _{-.005}	4	3.96
575-114T	5/8	13/16	.05	.050 ^{+0.002} / _{-.005}	5	4.23

STYLE 575 PTFE BACK-UP RINGS

BACK-UP RINGS

Part Number	A Nom. ID	B Nom. OD	C Nom. Ht	th THICKNESS	Package Quantity	List Price
575-115ST	11/16	7/8	.05	.050 ^{+0.002} / _{-0.005}	4	4.21
575-116ST	3/4	15/16	.05	.050 ^{+0.002} / _{-0.005}	8	4.21
575-116T	3/4	15/16	.05	.050 ^{+0.002} / _{-0.005}	4	4.67
575-116TS	3/4	15/16	.05	.054 ±0.004	5	8.33
575-117ST	13/16	1	.05	.050 ^{+0.002} / _{-0.005}	4	4.35
575-117T	13/16	1	.05	.050 ^{+0.002} / _{-0.005}	4	4.67
575-117TS	13/16	1	.05	.054 ±0.004	5	4.76
575-118ST	7/8	1-1/16	.05	.050 ^{+0.002} / _{-0.005}	4	4.91
575-118T	7/8	1-1/16	.05	.050 ^{+0.002} / _{-0.005}	4	5.27
575-118TS	7/8	1-1/16	.05	.054 ±0.004	4	5.27
575-119ST	15/16	1-1/8	.05	.050 ^{+0.002} / _{-0.005}	10	5.26
575-119T	15/16	1-1/8	.05	.050 ^{+0.002} / _{-0.005}	3	5.62
575-120ST	1	1-3/16	.05	.050 ^{+0.002} / _{-0.005}	3	5.33
575-120T	1	1-3/16	.05	.050 ^{+0.002} / _{-0.005}	3	5.73
575-121ST	1-1/16	1-1/4	.05	.050 ^{+0.002} / _{-0.005}	3	5.33
575-122ST	1-1/8	1-5/16	.05	.050 ^{+0.002} / _{-0.005}	3	5.33
575-122T	1-1/8	1-5/16	.05	.050 ^{+0.002} / _{-0.005}	3	5.81
575-123ST	1-3/16	1-3/8	.05	.050 ^{+0.002} / _{-0.005}	6	5.79
575-123T	1-3/16	1-3/8	.05	.050 ^{+0.002} / _{-0.005}	6	5.79
575-124ST	1-1/4	1-7/16	.05	.050 ^{+0.002} / _{-0.005}	6	5.79
575-124T	1-1/4	1-7/16	.05	.050 ^{+0.002} / _{-0.005}	6	5.79
575-125ST	1-5/16	1-1/2	.05	.050 ^{+0.002} / _{-0.005}	6	5.87
575-125T	1-5/16	1-1/2	.05	.050 ^{+0.002} / _{-0.005}	6	5.87
575-126ST	1-3/8	1-9/16	.05	.050 ^{+0.002} / _{-0.005}	3	5.87
575-126T	1-3/8	1-9/16	.05	.050 ^{+0.002} / _{-0.005}	1	8.42
575-127ST	1-7/16	1-5/8	.05	.050 ^{+0.002} / _{-0.005}	3	5.87
575-128ST	1-1/2	1-11/16	.05	.050 ^{+0.002} / _{-0.005}	3	6.03
575-129ST	1-9/16	1-3/4	.05	.050 ^{+0.002} / _{-0.005}	3	6.15
575-130ST	1-5/8	1-13/16	.05	.050 ^{+0.002} / _{-0.005}	3	6.31
575-131ST	1-11/16	1-7/8	.05	.050 ^{+0.002} / _{-0.005}	3	6.31
575-131T	1-11/16	1-7/8	.05	.050 ±0.002	3	3.28
575-132ST	1-3/4	1-15/16	.05	.050 ^{+0.002} / _{-0.005}	3	6.59
575-133ST	1-13/16	2	.05	.050 ^{+0.002} / _{-0.005}	3	6.59
575-133T	1-13/16	2	.05	.050 ^{+0.002} / _{-0.005}	1	2.53
575-134ST	1-7/8	2-1/16	.05	.050 ^{+0.002} / _{-0.005}	3	7.04

STYLE 575 PTFE BACK-UP RINGS

BACK-UP RINGS

Part Number	A Nom. ID	B Nom. OD	C Nom. Ht	th THICKNESS	Package Quantity	List Price
575-134TS	1-7/8	2-1/16	.05	.054 ±.004	1	13.59
575-135ST	1-15/16	2-1/8	.05	.050 +.002 -.005	3	7.23
575-136ST	2	2-3/16	.05	.050 +.002 -.005	3	7.62
575-136T	2	2-3/16	.05	.050 +.002 -.005	3	8.97
575-137ST	2-1/16	2-1/4	.05	.050 +.002 -.005	3	7.98
575-138ST	2-1/8	2-5/16	.05	.050 +.002 -.005	2	8.68
575-139T	2-3/16	2-3/8	.05	.050 +.002 -.005	2	9.96
575-139TS	2-3/16	2-3/8	.05	.054 ±.004	1	16.36
575-140T	2-1/4	2-7/16	.05	.050 ±.002	2	9.96
575-140TS	2-1/4	2-7/16	.05	.054 ±.004	1	17.92
575-141T	2-5/16	2-1/2	.05	.050 ±.002	2	10.52
575-143ST	2-7/16	2-5/8	.05	.050 +.002 -.005	2	1.83
575-144ST	2-1/2	2-11/16	.05	.050 +.002 -.005	2	10.71
575-146T	2-5/8	2-13/16	.05	.050 ±.002	2	11.80
575-147T	2-11/16	2-7/8	.05	.050 ±.002	2	11.87
575-148T	2-3/4	2-15/16	.05	.050 ±.002	2	12.42
575-149T	2-13/16	3	.05	.050 ±.002	2	13.04
575-152T	3-1/4	3-7/16	.05	.050 +.002 -.005	2	14.02
575-153TS	3-1/2	3-11/16	.05	.054 ±.004	1	27.26
575-154TS	3-3/4	3-15/16	.05	.054 ±.004	1	28.36
575-159T	5	5-3/16	.05	.050 +.002 -.005	1	41.38
1/8" C/S						
575-206ST	1/2	3/4	.05	.050 +.002 -.005	6	\$1.80
575-210ST	3/4	1	.05	.050 +.002 -.005	4	3.96
575-210T	3/4	1	.05	.050 +.002 -.005	4	4.23
575-211ST	13/16	1-1/16	.05	.050 +.002 -.005	6	4.35
575-212ST	7/8	1-1/8	.05	.050 +.002 -.005	4	4.55
575-212T	7/8	1-1/8	.05	.050 +.002 -.005	2	4.67
575-212TS	7/8	1-1/8	.05	.054 ±.004	1	10.11
575-212TW	7/8	1-1/8	.085	.085 ±.005	1	18.18
575-213ST	15/16	1-3/16	.05	.050 +.002 -.005	4	4.55
575-214ST	1	1-1/4	.05	.050 +.002 -.005	4	4.56
575-214T	1	1-1/4	.05	.050 +.002 -.005	6	2.85
575-215ST	1-1/16	1-5/16	.05	.050 +.002 -.005	4	4.56
575-216ST	1-1/8	1-3/8	.05	.050 +.002 -.005	4	4.56
575-217ST	1-3/16	1-7/16	.05	.050 +.002 -.005	4	5.09
575-218ST	1-1/4	1-1/2	.05	.050 +.002 -.005	5	5.57
575-218T	1-1/4	1-1/2	.05	.050 +.002 -.005	5	3.93
575-218TS	1-1/4	1-1/2	.05	.054 ±.004	5	6.15

STYLE 575 PTFE BACK-UP RINGS

BACK-UP RINGS

Part Number	A Nom. ID	B Nom. OD	C Nom. Ht	th THICKNESS	Package Quantity	List Price
575-219ST	1-5/16	1-9/16	.05	.050 ^{+0.002} / _{-0.005}	3	5.57
575-219T	1-5/16	1-9/16	.05	.050 ^{+0.002} / _{-0.005}	1	6.65
575-220ST	1-3/8	1-5/8	.05	.050 ^{+0.002} / _{-0.005}	3	5.79
575-220T	1-3/8	1-5/8	.05	.050 ^{+0.002} / _{-0.005}	2	3.66
575-220TS	1-3/8	1-5/8	.05	.054 ±0.004	1	9.04
575-221ST	1-7/16	1-11/16	.05	.050 ^{+0.002} / _{-0.005}	3	5.79
575-221T	1-7/16	1-11/16	.05	.050 ^{+0.002} / _{-0.005}	3	6.19
575-222ST	1-1/2	1-3/4	.05	.050 ^{+0.002} / _{-0.005}	3	6.15
575-222TS	1-1/2	1-3/4	.05	.054 ±0.004	3	8.18
575-223T	1-5/8	1-7/8	.05	.050 ^{+0.002} / _{-0.005}	2	7.21
575-223TS	1-5/8	1-7/8	.05	.054 ±0.004	1	8.48
575-224ST	1-3/4	2	.05	.050 ^{+0.002} / _{-0.005}	3	6.70
575-224T	1-3/4	2	.05	.050 ^{+0.002} / _{-0.005}	3	6.16
575-224TS	1-3/4	2	.05	.054 ±0.004	1	13.01
575-225ST	1-7/8	2-1/8	.05	.050 ^{+0.002} / _{-0.005}	3	6.97
575-226ST	2	2-1/4	.05	.050 ^{+0.002} / _{-0.005}	5	6.97
575-226TS	2	2-1/4	.05	.054 ±0.004	2	8.48
575-227ST	2-1/8	2-3/8	.05	.050 ^{+0.002} / _{-0.005}	3	7.41
575-227T	2-1/8	2-3/8	.05	.050 ^{+0.002} / _{-0.005}	3	7.42
575-228ST	2-1/4	2-1/2	.05	.050 ^{+0.002} / _{-0.005}	2	8.19
575-229ST	2-3/8	2-5/8	.05	.050 ^{+0.002} / _{-0.005}	2	9.12
575-230ST	2-1/2	2-3/4	.05	.050 ^{+0.002} / _{-0.005}	2	9.41
575-230T	2-1/2	2-3/4	.05	.050 ^{+0.002} / _{-0.005}	2	10.29
575-231T	2-5/8	2-7/8	.05	.050 ±0.002	2	10.29
575-232T	2-3/4	3	.05	.050 ±0.002	2	10.52
575-232TS	2-3/4	3	.05	.054 ±0.004	2	14.46
575-232TW	2-3/4	3	.085	.085 ±0.005	1	19.78
575-233T	2-7/8	3-1/8	.05	.050 ±0.002	2	10.90
575-234T	3	3-1/4	.05	.050 ±0.002	2	11.57
575-235ST	3-1/8	3-3/8	.05	.050 ^{+0.002} / _{-0.005}	2	13.20
575-235T	3-1/8	3-3/8	.05	.050 ±0.002	2	11.65
575-235TS	3-1/8	3-3/8	.05	.054 ±0.004	1	7.01
575-236T	3-1/4	3-1/2	.05	.050 ±0.002	2	12.16
575-237T	3-3/8	3-5/8	.05	.050 ±0.002	2	12.88
575-238T	3-1/2	3-3/4	.05	.050 ±0.002	2	13.62
575-239ST	3-5/8	3-7/8	.05	.050 ^{+0.002} / _{-0.005}	2	13.63
575-239T	3-5/8	3-7/8	.05	.050 ±0.002	2	14.60
575-240T	3-3/4	4	.05	.050 ±0.002	2	21.56
575-240TS	3-3/4	4	.05	.054 ±0.004	2	16.13
575-241ST	3-7/8	4-1/8	.05	.050 ^{+0.002} / _{-0.005}	2	13.63
575-242T	4	4-1/4	.05	.050 ±0.002	2	15.15
575-243ST	4-1/8	4-3/8	.05	.050 ^{+0.002} / _{-0.005}	2	15.66

STYLE 575 PTFE BACK-UP RINGS

BACK-UP RINGS

Part Number	A Nom. ID	B Nom. OD	C Nom. Ht	th THICKNESS	Package Quantity	List Price
575-244T	4-1/4	4-1/2	.05	.050 ±.002	1	15.15
575-245ST	4-3/8	4-5/8	.05	.050 ±.002	1	14.79
575-245T	4-3/8	4-5/8	.05	.050 ±.002	2	15.15
575-246T	4-1/2	4-3/4	.05	.050 ±.002	1	15.61
575-246TS	4-1/2	4-3/4	.05	.054 ±.004	3	15.65
575-247T	4-5/8	4-7/8	.05	.050 ±.002	2	16.13
575-248T	4-3/4	5	.05	.050 +.002 -.005	2	16.71
575-249ST	4-7/8	5-1/8	.05	.050 +.002 -.005	1	16.89
575-249T	4-7/8	5-1/8	.05	.050 +.002 -.005	1	18.10
575-250T	5	5-1/4	.05	.050 +.002 -.005	1	19.65
575-252T	5-1/4	5-1/2	.05	.050 +.002 -.005	1	20.78
575-253T	5-3/8	5-5/8	.05	.050 +.002 -.005	1	20.96
575-254T	5-1/2	5-3/4	.05	.050 +.002 -.005	1	22.04
575-256T	5-3/4	6	.05	.050 +.002 -.005	1	24.48
575-258T	6	6-1/4	.05	.050 +.002 -.005	1	26.94
575-260T	6-1/2	6-3/4	.05	.050 +.002 -.005	1	29.58
575-261T	6-3/4	7	.05	.050 +.002 -.005	1	35.11
575-262TS	7	7-1/4	.05	.054 ±.004	1	34.04
575-263ST	7-1/4	7-1/2	.05	.050 +.002 -.005	1	45.31
3/16" C/S						
575-320T	1-1/8	1-1/2	.07	.070 ±.005	2	\$13.19
575-325ST	1-1/2	1-7/8	.07	.070 ±.005	2	11.60
575-325T	1-1/2	1-7/8	.07	.070 ±.005	2	11.22
575-326ST	1-5/8	2	.07	.070 ±.005	2	11.60
575-326T	1-5/8	2	.07	.070 ±.005	1	11.67
575-327ST	1-3/4	2-1/8	.07	.070 ±.005	2	13.20
575-328ST	1-7/8	2-1/4	.07	.070 ±.005	2	8.61
575-329ST	2	2-3/8	.07	.070 ±.005	1	13.87
575-330ST	2-1/8	2-1/2	.07	.070 ±.005	2	13.98
575-330T	2-1/8	2-1/2	.07	.070 ±.005	2	14.98
575-332TS	2-3/8	2-3/4	.07	.067 ±.005	1	12.23
575-333ST	2-1/2	2-7/8	.07	.070 ±.005	2	15.22
575-333T	2-1/2	2-7/8	.07	.070 ±.005	2	16.28
575-333TS	2-1/2	2-7/8	.07	.067 ±.005	1	14.02
575-334ST	2-5/8	3	.07	.070 ±.005	2	15.55
575-334TS	2-5/8	3	.07	.067 ±.005	1	16.67
575-335T	2-3/4	3-1/8	.07	.070 ±.005	1	18.00
575-336ST	2-7/8	3-1/4	.07	.070 ±.005	1	17.12
575-337TS	3	3-3/8	.07	.067 ±.005	1	16.87
575-338ST	3-1/8	3-1/2	.07	.070 ±.005	1	17.47
575-338T	3-1/8	3-1/2	.07	.070 ±.005	1	12.37
575-338TS	3-1/8	3-1/2	.07	.067 ±.005	1	17.28
575-340ST	3-3/8	3-3/4	.07	.070 ±.005	1	17.77
575-340TS	3-3/8	3-3/4	.07	.067 ±.005	1	19.05
575-341ST	3-1/2	3-7/8	.07	.070 ±.005	1	18.47
575-342ST	3-5/8	4	.07	.070 ±.005	1	18.93
575-344ST	3-7/8	4-1/4	.07	.070 ±.005	1	21.76
575-344TS	3-7/8	4-1/4	.07	.067 ±.005	1	18.91
575-345ST	4	4-3/8	.07	.070 ±.005	2	10.95

STYLE 575 PTFE BACK-UP RINGS

BACK-UP RINGS

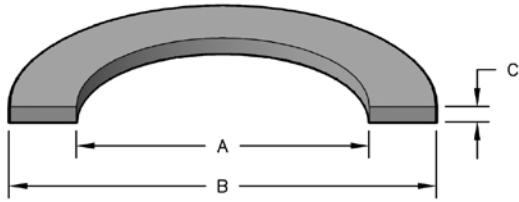
Part Number	A Nom. ID	B Nom. OD	C Nom. Ht	th THICKNESS	Package Quantity	List Price
575-345TS	4	4-3/8	.07	.067 ±.005	1	28.23
575-346ST	4-1/8	4-1/2	.07	.070 ±.005	1	24.49
575-346TS	4-1/8	4-1/2	.07	.067 ±.005	1	19.42
575-348TS	4-3/8	4-3/4	.07	.067 ±.005	1	28.82
575-349T	4-1/2	4-7/8	.07	.070 ±.005	1	18.69
575-349TS	4-1/2	4-7/8	.07	.067 ±.005	1	20.96
575-350ST	4-5/8	5	.07	.070 ±.005	1	27.49
575-354ST	5-1/8	5-1/2	.07	.070 ±.005	1	28.15
575-356ST	5-3/8	5-3/4	.07	.070 ±.005	1	40.46
575-357T	5-1/2	5-7/8	.07	.070 ±.005	1	14.87
575-359T	5-3/4	6-1/8	.07	.070 ±.005	1	31.84
575-360T	5-7/8	6-1/4	.07	.070 ±.005	1	30.87
575-361T	6	6-3/8	.07	.070 ±.005	1	39.06
575-362ST	6-1/4	6-5/8	.07	.070 ±.005	1	43.11
575-363T	6-1/2	6-7/8	.07	.070 ±.005	1	44.65
575-363TS	6-1/2	6-7/8	.07	.067 ±.005	1	37.02
575-364T	6-3/4	7-1/8	.07	.070 ±.005	1	35.58
575-365T	7	7-3/8	.07	.070 ±.005	1	36.67
575-367ST	7-1/2	7-7/8	.07	.070 ±.005	1	45.79
575-369ST	8	8-3/8	.07	.070 ±.005	1	49.23
575-375T	9-1/2	9-7/8	.07	.070 ±.005	1	56.23
575-379T	11	11-3/8	.07	.070 ±.005	1	69.61
1/4" C/S						
575-413ST	3	3-1/2	.108	.108 ±.002	1	\$40.25
575-417T	3-1/2	4	.105	.105 ±.005	1	34.92
575-421T	4	4-1/2	.108	.108 ±.002	1	36.36
575-425ST	4-1/2	5	.108	.108 ±.002	1	34.43
575-426ST	4-5/8	5-1/8	.108	.108 ±.002	1	27.56
575-427ST	4-3/4	5-1/4	.108	.108 ±.002	1	34.74
575-430ST	5-1/8	5-5/8	.108	.108 ±.002	1	40.58
575-431T	5-1/4	5-3/4	.108	.105 ±.005	1	46.26
575-433ST	5-1/2	6	.108	.108 ±.002	1	50.69
575-436ST	5-7/8	6-3/8	.108	.108 ±.002	1	55.24
575-437T	6	6-1/2	.108	.105 ±.005	1	60.52
575-438T	6-1/4	6-3/4	.108	.108 ±.002	1	62.88
575-439T	6-1/2	7	.108	.108 ±.002	1	62.73
575-440ST	6-3/4	7-1/4	.108	.108 ±.002	1	60.31
575-443T	7-1/2	8	.108	.108 ±.002	1	69.24
575-445TS	8	8-1/2	.108	.098 ±.006	1	70.24
575-446T	8-1/2	9	.108	.108 ±.002	1	108.78
575-447T	9	9-1/2	.108	.108 ±.002	1	95.20
575-448T	9-1/2	10	.108	.108 ±.002	1	85.39
575-450T	10-1/2	11	.108	.108 ±.002	1	100.12
575-451T	11	11-1/2	.108	.108 ±.002	1	108.67
575-452T	11-1/2	12	.108	.108 ±.002	1	113.74
575-454T	12-1/2	13	.108	.108 ±.002	1	120.27

STYLE 575 PTFE BACK-UP RINGS - SPECIAL SIZES

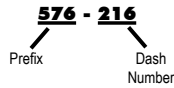
BACK-UP RINGS

Part Number	A Nom. ID	B Nom. OD	C Nom. Ht	Nom. Cross Section	th THICKNESS	Package Quantity	List Price
575-0.81X.052X.045ST	.808	.912	.045	.052	.045 ^{+0.007} / _{+0.000}	1	\$ 15.03
575-0.86X.052X.045ST	.861	.965	.045	.052	.045 ^{+0.007} / _{+0.000}	1	15.03
575-1-3/16X1-1/2T	1-3/16	1-1/2	1/16	5/32	.062	1	12.15
575-1.67X1.88X0.05T	1.674	1.88	.055	.103	.055 \pm .002	1	34.05
575-2.4X2.6X.06ST	2.457	2.687	1/16	.115	.060	1	12.46
575-2.7X2.9X.06ST	2.707	2.937	1/16	.115	.060	1	13.15
575-5X0.128X0.29BT	5	5.59	.128	.29	.128	1	33.91
575-5.5X6.12T	5-1/2	6-1/8	1/16	5/16	.062	1	40.03
575-6.12X7ST	6-1/8	7	1/8	7/16	.125	1	80.44
575-6.66X7.00X0.08T	6.666	7	.08	.167	.080 \pm .005	1	52.64
575-7X8T	7	8	1/8	1/2	.125	1	73.76
575-7.75X8.75X.125T	7-3/4	8-3/4	1/8	1/2	.125	1	109.25
575-9X10T	9	10	1/8	1/2	.125	1	114.06
575-13X14T	13	14	9/64	1/2	.140	1	165.34

STYLE 576 SPLIT NYLON BACK-UP RINGS



HERCULES PART NUMBERS



SEAL INFORMATION

MATERIAL	NYLON
TEMPERATURE RANGE	-40° TO +250° F
PRESSURE RANGE	VARIABLE ACCORDING TO DIAMETRAL CLEARANCE

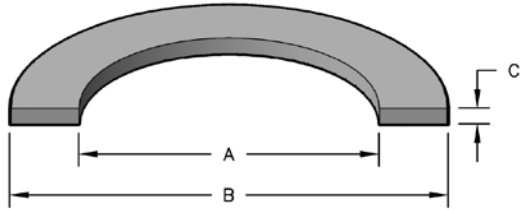
BACK-UP RINGS

Part Number	A Nom. ID	B Nom. OD	C Nom. Ht	List Price
1/8" C/S				
576-216	1-1/8	1-3/8	.06	\$16.95
576-2.37X.125	2-3/8	2-5/8	.07	82.77
576-2.50X.125	2-1/2	2-3/4	.07	11.09
3/16" C/S				
576-314	3/4	1-1/8	.07	\$8.44
576-320	1-1/8	1-1/2	.07	8.65
576-324	1-3/8	1-3/4	.07	8.91
576-325	1-1/2	1-7/8	.07	9.08
576-326	1-5/8	2	.07	9.34
576-327	1-3/4	2-1/8	.07	9.55
576-328	1-7/8	2-1/4	.07	9.77
576-329	2	2-3/8	.06	9.98
576-330	2-1/8	2-1/2	.07	10.17
576-331	2-1/4	2-5/8	.07	10.31
576-332	2-3/8	2-3/4	.06	10.33
576-333	2-1/2	2-7/8	.06	10.38
576-334	2-5/8	3	.06	10.67
576-2.62X3.00X.085	2-5/8	3	.085	5.13
576-338	3-1/8	3-1/2	.06	10.78
576-5.75X.185	5-3/4	6-1/8	.185	68.70
576-8.37X8.75X0.062	8-3/8	8-3/4	1/16	29.98
.193" C/S				
576-8.86X9.25X0.062	8.86	9.245	1/16	\$34.73
.205" C/S				
576-8.24X8.65X0.08	8.236	8.646	.08	\$30.84
1/4" C/S				
576-407	2-1/4	2-3/4	.07	\$8.68
576-408	2-3/8	2-7/8	.07	12.70
576-409	2-1/2	3	.07	9.02
576-2.62X3.12X.06	2-5/8	3-1/8	.06	42.74
576-411	2-3/4	3-1/4	.07	9.42
576-412	2-7/8	3-3/8	.07	9.72
576-413	3	3-1/2	.07	10.44
576-415	3-1/4	3-3/4	.07	10.75
576-417	3-1/2	4	.07	11.14
576-418-1/2	3-11/16	4-3/16	.07	11.48
576-419	3-3/4	4-1/4	.07	11.75
576-421	4	4-1/2	.07	12.17
576-423-1	4-1/4	4-3/4	.07	19.21
576-425	4-1/2	5	.07	12.49
576-427	4-3/4	5-1/4	.07	14.06

Part Number	A Nom. ID	B Nom. OD	C Nom. Ht	List Price
576-429	5	5-1/2	.07	12.70
576-5.25X5.75X0.062	5-1/4	5-3/4	1/16	19.51
576-433	5-1/2	6	.12	12.83
576-6.00X6.50X0.062	6	6-1/2	1/16	22.03
576-6.50X7.00X0.062	6-1/2	7	1/16	25.55
576-7.50X8.00X0.062	7-1/2	8	1/16	35.87
576-8.25X8.75X0.062	8-1/4	8-3/4	1/16	29.98
576-9.00X9.50X0.070	9	9-1/2	.07	34.73
9/32" C/S				
576-3.18X3.75	3-3/16	3-3/4	.07	\$11.09
.29" C/S				
576-5.75X6.33X0.125	5.755	6.335	1/8	\$33.98
.2975" C/S				
576-3.4X4.0X1/8	3.405	4	1/8	\$12.49
3/8" C/S				
576-4.5X5.2	4-1/2	5-1/4	.13	\$13.61
576-5.5X6.25	5-1/2	6-1/4	.187	16.52
576-6.00X6.75X.125	6	6-3/4	1/8	81.95
576-10.50X11.25X0.125	10-1/2	11-1/4	1/8	62.51
1/2" C/S				
576-4X5	4	5	1/8	\$44.03
576-6X7	6	7	1/8	23.06

STYLE 590 HIGH PERFORMANCE BACK-UP RINGS

Style 590 Back-up Rings feature exceptional strength and abrasion resistance along with a 53 Shore D hardness rating which makes them suitable for high pressure service where extrusion is a problem. Primarily used as a u-seal back-up, these rings can be used with o-rings. They also retrofit urethane and PTFE back-up rings, with greater performance characteristics. "S" suffix designates a split ring.



HERCULES PART NUMBERS

590 - 15
 Prefix Dash Number

SEAL INFORMATION

MATERIAL	HYTREL
TEMPERATURE RANGE	-40° TO +275° F
PRESSURE RANGE	VARIABLE ACCORDING TO DIAMETRAL CLEARANCE

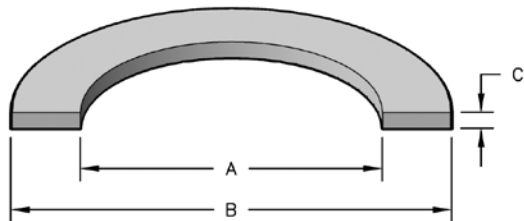
Part Number	A Nom. ID	B Nom. OD	C Nom. Ht	th THICKNESS	List Price
1/8" C/S					
590-15	1/2	3/4	1/16	.062 ±.005	\$2.23
590-17	5/8	7/8	1/16	.062 ±.005	2.34
590-19S	3/4	1	1/16	.062 ±.005	2.45
590-214	1	1-1/4	1/16	.063 ^{+0.000} _{-.005}	1.21
590-227	2-1/8	2-3/8	1/16	.050 ±.005	2.34
590-228	2-1/4	2-1/2	1/16	.050 ±.005	2.55
590-237	3-3/8	3-5/8	1/16	.050 ±.005	3.12
590-239	3-5/8	3-7/8	1/16	.050 ±.005	3.15
5/32" C/S					
590-32	1	1-5/16	1/16	.062 ±.005	\$2.91
590-34S	1-3/16	1-1/2	1/16	.062 ±.005	3.10
590-36	1-3/8	1-11/16	1/16	.062 ±.005	3.20
3/16" C/S					
590-324	1-3/8	1-3/4	1/16	.0625 ^{+0.000} _{-.005}	\$1.82
590-325	1-1/2	1-7/8	1/16	.0625 ^{+0.000} _{-.005}	1.93
590-45	1-5/8	2	1/16	.062 ±.005	3.78
590-45S	1-5/8	2	1/16	.062 ±.005	3.78
590-46	1-3/4	2-1/8	1/16	.062 ±.005	4.02
590-48	2	2-3/8	1/16	.062 ±.005	4.28
590-49	2-1/8	2-1/2	1/16	.062 ±.005	4.39
590-49S	2-1/8	2-1/2	1/16	.062 ±.005	4.39
590-338	3-1/8	3-1/2	1/16	.070 ±.005	4.48
590-341	3-1/2	3-7/8	1/16	.070 ±.006	5.28
590-345	4	4-3/8	1/16	.070 ±.006	6.43
590-346	4-1/8	4-1/2	1/16	.070 ±.006	6.67
590-347	4-1/4	4-5/8	1/16	.070 ±.006	12.38
590-349	4-1/2	4-7/8	1/16	.070 ±.006	7.50
590-352	4-7/8	5-1/4	1/16	.070 ±.006	12.72
590-354	5-1/8	5-1/2	1/16	.070 ±.006	8.94
590-358	5-5/8	6	1/16	.070 ±.006	13.14
7/32" C/S					

Part Number	A Nom. ID	B Nom. OD	C Nom. Ht	th THICKNESS	List Price
590-54	2-1/2	2-15/16	1/16	.062 ±.005	\$4.92
590-57	2-13/16	3-1/4	1/16	.062 ±.005	5.13
590-57S	2-13/16	3-1/4	1/16	.062 ±.005	5.13
590-58	3	3-7/16	1/16	.062 ±.005	6.82
1/4" C/S					
590-66	3-1/2	4	1/16	.062 ±.005	\$8.20
590-66S	3-1/2	4	1/16	.062 ±.005	8.20
590-68	4	4-1/2	1/16	.062 ±.005	8.69
590-70	4-1/2	5	1/16	.062 ±.005	9.04
590-70S	4-1/2	5	1/16	.062 ±.005	9.04
9/32" C/S					
590-73S	4-7/16	5	1/16	.062 ±.005	\$9.72
590-75	5	5-9/16	1/16	.062 ±.005	10.38
590-5.43X6S	5-7/16	6	1/16	.062 ±.005	13.28
590-6.43X7S	6-7/16	7	1/16	.062 ±.005	59.62
5/16" C/S					
590-79	5-3/8	6	1/16	.062 ±.005	\$10.64
590-79S	5-3/8	6	1/16	.062 ±.005	10.64
590-5.5X6.12	5-1/2	6-1/8	1/16	.062 ±.005	16.02
590-83	6-3/8	7	1/16	.062 ±.005	46.82
590-83S	6-3/8	7	1/16	.062 ±.005	46.82
590-84	7-3/8	8	1/16	.062 ±.005	51.57
590-84S	7-3/8	8	1/16	.062 ±.005	51.57
11/32" C/S					
590-85S	9-5/16	10	1/16	.062 ±.005	\$81.35
3/8" C/S					
590-86S	11-1/4	12	1/16	.062 ±.005	\$74.84
13/32" C/S					
590-13.18X14S	13-3/16	14	1/16	.062 ±.005	\$86.44
1/2" C/S					
590-11X12S	11	12	1/16	.062 ±.005	\$140.21
590-87S	13	14	1/16	.062 ±.005	165.02

BACK-UP RINGS

STYLE 595 PTFE BACK-UP RINGS FOR U-SEALS

Used primarily as an anti-extrusion device for u-seals, these back-up rings combine high performance with very low friction. "ST" suffix designates a split ring.



HERCULES PART NUMBERS

595 - 15 I
 Prefix Dash Number

SEAL INFORMATION

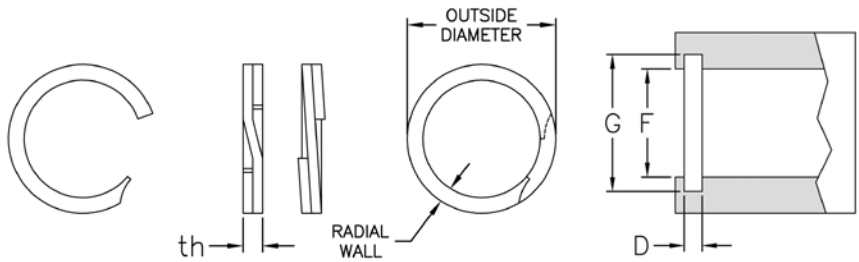
MATERIAL	PTFE
TEMPERATURE RANGE	-100° TO +500° F
PRESSURE RANGE	VARIES ACCORDING TO DIAMETRICAL CLEARANCE

BACK-UP RINGS

Part Number	A Nom. ID	B Nom. OD	C Nom. Ht	th THICKNESS	List Price
595-15T	1/2	3/4	1/16	.062 ±.005	\$13.89
595-17T	5/8	7/8	1/16	.062 ±.005	13.89
595-19ST	3/4	1	1/16	.062 ±.005	20.44
595-32T	1	1-5/16	1/16	.062 ±.005	10.59
595-34ST	1-3/16	1-1/2	1/16	.062 ±.005	21.00
595-36T	1-3/8	1-11/16	1/16	.062 ±.005	21.00
595-45ST	1-5/8	2	1/16	.062 ±.005	21.26
595-46T	1-3/4	2-1/8	1/16	.062 ±.005	23.41
595-48T	2	2-3/8	1/16	.062 ±.005	23.64
595-49ST	2-1/8	2-1/2	1/16	.062 ±.005	24.21
595-3.62X4X.09	3-5/8	4	3/32	.090 ±.005	43.74
595-54T	2-1/2	2-15/16	1/16	.062 ±.005	25.82
595-57ST	2-13/16	3-1/4	1/16	.062 ±.005	16.95
595-58T	3	3-7/16	1/16	.062 ±.005	26.90
595-66ST	3-1/2	4	1/16	.062 ±.005	30.14
595-66T	3-1/2	4	1/16	.062 ±.005	30.14
595-68T	4	4-1/2	1/16	.062 ±.005	31.79
595-70ST	4-1/2	5	1/16	.062 ±.005	36.74
595-70T	4-1/2	5	1/16	.062 ±.005	36.74
595-73ST	4-7/16	5	1/16	.062 ±.005	27.27
595-75T	5	5-9/16	1/16	.062 ±.005	44.36
595-5.43X6ST	5-7/16	6	1/16	.062 ±.005	61.13
595-6.43X7ST	6-7/16	7	1/16	.062 ±.005	62.99
595-79ST	5-3/8	6	1/16	.062 ±.005	51.10
595-83ST	6-3/8	7	1/16	.062 ±.005	54.01
595-84ST	7-3/8	8	1/16	.062 ±.005	60.79
595-85ST	9-5/16	10	1/16	.062 ±.005	80.54
595-5.2X6T	5-1/4	6	1/8	.125 ±.005	61.04
595-86ST	11-1/4	12	1/16	.062 ±.005	75.51
595-13.18X14ST	13-3/16	14	1/16	.062 ±.005	112.20
595-5.12X6ST	5-1/8	6	1/8	.125 ±.005	77.21
595-11X12ST	11	12	1/16	.062 ±.005	83.74
595-87ST	13	14	1/16	.062 ±.005	105.05

SPIRAL INTERNAL RETAINER RINGS

SPIRAL RETAINER CROSS REFERENCE	
Hercules® Sealing Prefix	Ramsey Spirolox Prefix
VH-	UR-
WH-	RR-
WHM-	RRN-
WHT-	RRT-



Part Number	D GROOVE WIDTH	F THROAT DIAMETER	G HOUSING DIAMETER	INSIDE DIAMETER	OUTSIDE DIAMETER	th THICKNESS	RADIAL WALL	List Price
WHM-50	.039 ^{+0.003} / _{+0.000}	.500	.530 ±.002	.448	.538 ^{+0.013} / _{+0.000}	.035 ±.002	.045 ±.004	\$ 1.41
WH-62	.030 ^{+0.003} / _{+0.000}	.625	.651 ±.002	.568	.658 ^{+0.013} / _{+0.000}	.025 ±.002	.045 ±.004	1.33
WHM-62	.039 ^{+0.003} / _{+0.000}	.625	.665 ±.002	.565	.675 ^{+0.013} / _{+0.000}	.035 ±.002	.055 ±.004	1.48
WHT-68	.039 ^{+0.003} / _{+0.000}	.688	.724 ±.003	.620	.730 ^{+0.000} / _{-.013}	.035 ±.002	.055 ±.004	14.72
WHM-68	.039 ^{+0.003} / _{+0.000}	.688	.732 ±.002	.613	.743 ^{+0.013} / _{+0.000}	.035 ±.002	.065 ±.004	2.08
WHM-75	.039 ^{+0.003} / _{+0.000}	.750	.796 ±.002	.677	.807 ^{+0.013} / _{+0.000}	.035 ±.002	.065 ±.004	1.98
WH-78	.036 ^{+0.003} / _{+0.000}	.781	.812 ±.003	.691	.821 ^{+0.013} / _{+0.000}	.031 ±.002	.065 ±.004	1.41
WH-87	.036 ^{+0.003} / _{+0.000}	.875	.912 ±.003	.792	.922 ^{+0.013} / _{+0.000}	.031 ±.002	.065 ±.004	1.43
WHM-87	.046 ^{+0.003} / _{+0.000}	.875	.931 ±.003	.773	.943 ^{+0.013} / _{+0.000}	.042 ±.002	.085 ±.004	1.98
WH-106	.042 ^{+0.003} / _{+0.000}	1.062	1.104 ±.004	.967	1.117 ^{+0.013} / _{+0.000}	.037 ±.002	.075 ^{+0.003} / _{-.005}	1.47
WH-100	.042 ^{+0.003} / _{+0.000}	1.000	1.043 ±.003	.904	1.054 ^{+0.013} / _{+0.000}	.037 ±.002	.075 ±.004	1.47
WHM-100	.046 ^{+0.003} / _{+0.000}	1.000	1.066 ±.003	.910	1.080 ^{+0.013} / _{+0.000}	.042 ±.002	.085 ±.004	3.54
WH-112	.042 ^{+0.003} / _{+0.000}	1.125	1.167 ±.004	1.030	1.180 ^{+0.015} / _{+0.000}	.037 ±.002	.075 ±.004	1.47
WHM-112	.056 ^{+0.004} / _{+0.000}	1.125	1.197 ±.004	.999	1.205 ^{+0.013} / _{+0.000}	.050 ±.002	.103 ±.004	3.77
WHT-118	.056 ^{+0.004} / _{+0.000}	1.188	1.250 ±.004	1.084	1.260 ^{+0.000} / _{-.015}	.050 ±.002	.088 ±.004	2.02
WH-125	.048 ^{+0.004} / _{+0.000}	1.250	1.298 ±.004	1.142	1.312 ^{+0.015} / _{+0.000}	.043 ±.002	.085 ±.004	1.55
WHM-125	.056 ^{+0.004} / _{+0.000}	1.250	1.330 ±.004	1.133	1.339 ^{+0.013} / _{+0.000}	.050 ±.002	.103 ±.004	4.02
WH-128	.048 ^{+0.004} / _{+0.000}	1.281	1.329 ±.004	1.172	1.342 ^{+0.015} / _{+0.000}	.043 ±.002	.085 ±.004	1.61
WHT-131	.056 ^{+0.004} / _{+0.000}	1.312	1.385 ±.004	1.209	1.395 ^{+0.000} / _{-.015}	.050 ±.002	.093 ±.004	2.07
VH-137	.031 ^{+0.002} / _{+0.000}	1.375	1.419 ±.004	1.257	1.433 ^{+0.015} / _{+0.000}	.025 ±.0015	.088 ±.004	1.55
WH-137	.048 ^{+0.004} / _{+0.000}	1.375	1.427 ±.004	1.252	1.442 ^{+0.015} / _{+0.000}	.043 ±.002	.095 ±.004	2.35
WHM-137	.056 ^{+0.004} / _{+0.000}	1.375	1.461 ±.004	1.235	1.471 ^{+0.013} / _{+0.000}	.050 ±.002	.118 ±.004	4.02
VH-150	.031 ^{+0.002} / _{+0.000}	1.500	1.544 ±.004	1.383	1.559 ^{+0.015} / _{+0.000}	.025 ±.0015	.088 ±.004	1.93
WH-150	.048 ^{+0.004} / _{+0.000}	1.500	1.552 ±.004	1.377	1.567 ^{+0.015} / _{+0.000}	.043 ±.002	.095 ±.004	2.74
WHT-150	.056 ^{+0.004} / _{+0.000}	1.500	1.580 ±.004	1.375	1.591 ^{+0.000} / _{-.015}	.050 ±.002	.108 ±.004	2.68
WHM-150	.056 ^{+0.004} / _{+0.000}	1.500	1.594 ±.004	1.369	1.605 ^{+0.013} / _{+0.000}	.050 ±.002	.118 ±.004	4.24
WHM-165	.068 ^{+0.004} / _{+0.000}	1.653	1.755 ±.005	1.516	1.772 ^{+0.020} / _{+0.000}	.062 ±.003	.128 ±.004	6.90
WH-156	.056 ^{+0.004} / _{+0.000}	1.562	1.617 ±.005	1.418	1.634 ^{+0.020} / _{+0.000}	.049 ±.003	.108 ±.004	3.12

SPIRAL INTERNAL RETAINER RINGS

RETAINER RINGS

Part Number	D GROOVE WIDTH	F THROAT DIAMETER	G HOUSING DIAMETER	INSIDE DIAMETER	OUTSIDE DIAMETER	th THICKNESS	RADIAL WALL	List Price
WHM-156	.068 ^{+0.004} / _{+0.000}	1.562	1.658 ±.005	1.419	1.675 ^{+0.020} / _{+0.000}	.062 ±.003	.128 ±.004	4.85
VH-162	.039 ^{+0.003} / _{+0.000}	1.625	1.682 ±.005	1.465	1.701 ^{+0.020} / _{+0.000}	.031 ±.002	.118 ±.004	1.93
WH-162	.056 ^{+0.004} / _{+0.000}	1.625	1.684 ±.005	1.485	1.701 ^{+0.020} / _{+0.000}	.049 ±.003	.108 ±.004	6.95
WHT-162	.068 ^{+0.004} / _{+0.000}	1.625	1.715 ±.005	1.501	1.727 ^{+0.000} / _{-.020}	.062 ±.003	.113 ±.004	3.12
WH-175	.056 ^{+0.004} / _{+0.000}	1.750	1.813 ±.005	1.598	1.834 ^{+0.020} / _{+0.000}	.049 ±.003	.118 ±.004	3.12
WHT-175	.068 ^{+0.004} / _{+0.000}	1.750	1.845 ±.005	1.622	1.858 ^{+0.020} / _{+0.000}	.062 ±.003	.118 ±.004	3.99
WHM-175	.068 ^{+0.004} / _{+0.000}	1.750	1.858 ±.005	1.620	1.876 ^{+0.020} / _{+0.000}	.062 ±.003	.128 ±.004	8.94
VH-187	.039 ^{+0.003} / _{+0.000}	1.875	1.932 ±.005	1.717	1.953 ^{+0.020} / _{+0.000}	.031 ±.002	.118 ±.004	2.41
WH-187	.056 ^{+0.004} / _{+0.000}	1.875	1.942 ±.005	1.724	1.960 ^{+0.020} / _{+0.000}	.049 ±.003	.118 ±.004	3.99
WHT-187	.068 ^{+0.004} / _{+0.000}	1.875	1.975 ±.005	1.733	1.989 ^{+0.000} / _{-.020}	.062 ±.003	.128 ±.004	4.72
VH-200	.039 ^{+0.003} / _{+0.000}	2.000	2.057 ±.005	1.843	2.079 ^{+0.020} / _{+0.000}	.031 ±.002	.118 ±.004	2.58
WH-200	.056 ^{+0.004} / _{+0.000}	2.000	2.071 ±.005	1.835	2.091 ^{+0.020} / _{+0.000}	.049 ±.003	.128 ±.004	4.56
WHT-200	.068 ^{+0.004} / _{+0.000}	2.000	2.110 ±.005	1.849	2.125 ^{+0.000} / _{-.020}	.062 ±.003	.138 ±.004	4.72
WHM-200	.068 ^{+0.004} / _{+0.000}	2.000	2.122 ±.005	1.826	2.142 ^{+0.020} / _{+0.000}	.062 ±.003	.158 ±.004	9.30
WH-204	.056 ^{+0.004} / _{+0.000}	2.047	2.118 ±.005	1.882	2.138 ^{+0.020} / _{+0.000}	.049 ±.003	.128 ±.004	4.91
VH-206	.039 ^{+0.003} / _{+0.000}	2.062	2.138 ±.006	1.846	2.162 ^{+0.025} / _{+0.000}	.031 ±.002	.158 ±.004	3.78
WHT-206	.086 ^{+0.005} / _{+0.000}	2.062	2.175 ±.006	1.908	2.190 ^{+0.000} / _{-.025}	.078 ±.003	.141 ±.004	6.18
WHM-206	.086 ^{+0.005} / _{+0.000}	2.062	2.186 ±.006	1.865	2.201 ^{+0.025} / _{+0.000}	.078 ±.003	.168 ±.005	12.75
WHM-218	.086 ^{+0.005} / _{+0.000}	2.188	2.318 ±.006	1.998	2.334 ^{+0.025} / _{+0.000}	.078 ±.003	.168 ±.005	12.75
VH-225	.039 ^{+0.003} / _{+0.000}	2.250	2.326 ±.006	2.036	2.352 ^{+0.025} / _{+0.000}	.031 ±.002	.158 ±.004	4.91
WHM-225	.086 ^{+0.005} / _{+0.000}	2.250	2.382 ±.006	2.063	2.399 ^{+0.025} / _{+0.000}	.078 ±.003	.168 ±.005	12.79
WHT-225	.086 ^{+0.005} / _{+0.000}	2.250	2.370 ±.006	2.104	2.386 ^{+0.000} / _{-.025}	.078 ±.003	.141 ±.004	6.18
VH-231	.039 ^{+0.003} / _{+0.000}	2.312	2.388 ±.006	2.099	2.415 ^{+0.025} / _{+0.000}	.031 ±.002	.158 ±.004	17.47
WH-231	.056 ^{+0.004} / _{+0.000}	2.312	2.390 ±.006	2.137	2.413 ^{+0.025} / _{+0.000}	.049 ±.003	.138 ±.004	4.91
WH-237	.056 ^{+0.004} / _{+0.000}	2.375	2.453 ±.006	2.200	2.476 ^{+0.025} / _{+0.000}	.049 ±.003	.138 ±.004	4.91
VH-243	.039 ^{+0.003} / _{+0.000}	2.437	2.513 ±.006	2.225	2.541 ^{+0.025} / _{+0.000}	.031 ±.002	.158 ±.004	5.92
WHT-244	.086 ^{+0.005} / _{+0.000}	2.440	2.570 ±.006	2.212	2.588 ^{+0.000} / _{-.025}	.078 ±.003	.188 ±.005	13.09
VH-250	.039 ^{+0.003} / _{+0.000}	2.500	2.576 ±.006	2.289	2.605 ^{+0.025} / _{+0.000}	.031 ±.002	.158 ±.004	3.65
WH-250	.056 ^{+0.004} / _{+0.000}	2.500	2.582 ±.006	2.310	2.606 ^{+0.025} / _{+0.000}	.049 ±.003	.148 ±.004	6.52
WHM-250	.086 ^{+0.005} / _{+0.000}	2.500	2.648 ±.006	2.267	2.667 ^{+0.025} / _{+0.000}	.078 ±.003	.200 ±.005	14.26
WHT-250	.086 ^{+0.005} / _{+0.000}	2.500	2.635 ±.006	2.277	2.653 ^{+0.000} / _{-.025}	.078 ±.003	.188 ±.005	8.20
WHT-253	.086 ^{+0.005} / _{+0.000}	2.531	2.668 ±.006	2.311	2.687 ^{+0.000} / _{-.025}	.078 ±.003	.188 ±.005	8.20
WHT-256	.103 ^{+0.005} / _{+0.000}	2.562	2.700 ±.006	2.344	2.720 ^{+0.000} / _{-.025}	.093 ±.003	.188 ±.005	8.20

Seal color may vary. Special order sizes are available. Sizes not shown and out of stock items can also be ordered for next day delivery through Seals On Demand, our custom seal program. Please call your regional sales team for assistance.

SPIRAL INTERNAL RETAINER RINGS

Part Number	D GROOVE WIDTH	F THROAT DIAMETER	G HOUSING DIAMETER	INSIDE DIAMETER	OUTSIDE DIAMETER	th THICKNESS	RADIAL WALL	List Price
WHM-256	.103 ^{+0.005} / _{+0.000}	2.562	2.714 ±0.006	2.283	2.733 ^{+0.030} / _{+0.000}	.093 ±0.003	.225 ±0.005	13.09
WHT-275	.103 ^{+0.005} / _{+0.000}	2.750	2.900 ±0.006	2.545	2.921 ^{+0.000} / _{-.025}	.093 ±0.003	.188 ±0.005	9.48
VH-281	.039 ^{+0.003} / _{+0.000}	2.812	2.888 ±0.006	2.604	2.920 ^{+0.025} / _{+0.000}	.031 ±0.002	.158 ±0.004	9.50
WH-283	.056 ^{+0.004} / _{+0.000}	2.834	2.928 ±0.006	2.618	2.954 ^{+0.025} / _{+0.000}	.049 ±0.003	.168 ±0.005	6.96
WHT-283	.103 ^{+0.005} / _{+0.000}	2.834	2.987 ±0.006	2.633	3.009 ^{+0.025} / _{+0.000}	.093 ±0.003	.188 ±0.005	9.70
WHM-283	.103 ^{+0.005} / _{+0.000}	2.834	3.006 ±0.006	2.577	3.027 ^{+0.030} / _{+0.000}	.093 ±0.003	.225 ±0.005	17.54
WH-287	.056 ^{+0.004} / _{+0.000}	2.875	2.969 ±0.006	2.659	2.995 ^{+0.025} / _{+0.000}	.049 ±0.003	.168 ±0.005	9.48
VH-300	.039 ^{+0.003} / _{+0.000}	3.000	3.076 ±0.006	2.794	3.110 ^{+0.025} / _{+0.000}	.031 ±0.002	.158 ±0.004	3.84
WH-300	.068 ^{+0.005} / _{+0.000}	3.000	3.096 ±0.006	2.786	3.122 ^{+0.025} / _{+0.000}	.061 ±0.003	.168 ±0.005	6.75
WHT-300	.103 ^{+0.005} / _{+0.000}	3.000	3.165 ±0.006	2.812	3.188 ^{+0.025} / _{+0.000}	.093 ±0.003	.188 ±0.005	9.70
WHM-300	.103 ^{+0.005} / _{+0.000}	3.000	3.182 ±0.006	2.754	3.204 ^{+0.030} / _{+0.000}	.093 ±0.003	.225 ±0.005	18.57
WHT-312	.120 ^{+0.005} / _{+0.000}	3.125	3.295 ±0.006	2.818	3.318 ^{+0.030} / _{+0.000}	.111 ±0.003	.250 ±0.005	14.35
WH-325	.068 ^{+0.005} / _{+0.000}	3.250	3.350 ±0.006	3.023	3.379 ^{+0.030} / _{+0.000}	.061 ±0.003	.178 ±0.005	10.98
WHT-325	.120 ^{+0.005} / _{+0.000}	3.250	3.426 ±0.006	2.950	3.450 ^{+0.030} / _{+0.000}	.111 ±0.003	.250 ±0.005	11.87
WHLA-368	.068	3.500	3.665		3.684	.060	.168	28.17
WHL-371	.091	3.500	3.705		3.725	.086	.187	15.19
WHL-378-HDC	.086	3.625	3.755		3.780	.077	.132	70.84
WH-350	.068 ^{+0.005} / _{+0.000}	3.500	3.606 ±0.006	3.260	3.636 ^{+0.030} / _{+0.000}	.061 ±0.003	.188 ±0.005	7.12
WHT-350	.120 ^{+0.005} / _{+0.000}	3.500	3.690 ±0.006	3.216	3.716 ^{+0.030} / _{+0.000}	.111 ±0.003	.250 ±0.005	18.50
WHM-350	.120 ^{+0.005} / _{+0.000}	3.500	3.710 ±0.006	3.174	3.736 ^{+0.035} / _{+0.000}	.111 ±0.003	.281 ±0.005	18.57
WHL-392	.103	3.750	3.909		3.929	.093	.187	38.85
WH-356	.068 ^{+0.005} / _{+0.000}	3.562	3.672 ±0.006	3.307	3.703 ^{+0.030} / _{+0.000}	.061 ±0.003	.198 ±0.005	8.96
WHL-424	.098	4.125	4.220		4.249	.090	.187	29.98
WH-400	.068 ^{+0.005} / _{+0.000}	4.000	4.124 ±0.006	3.721	4.157 ^{+0.030} / _{+0.000}	.061 ±0.003	.218 ±0.005	9.88
WHT-400	.120 ^{+0.005} / _{+0.000}	4.000	4.220 ±0.006	3.748	4.248 ^{+0.030} / _{+0.000}	.111 ±0.003	.250 ±0.005	17.46
WHM-400	.120 ^{+0.005} / _{+0.000}	4.000	4.240 ±0.006	3.646	4.270 ^{+0.035} / _{+0.000}	.111 ±0.003	.312 ±0.006	21.17
WH-406	.068 ^{+0.005} / _{+0.000}	4.063	4.187 ±0.006	3.786	4.222 ^{+0.030} / _{+0.000}	.061 ±0.003	.218 ±0.005	12.62
VH-412	.052 ^{+0.004} / _{+0.000}	4.125	4.235 ±0.006	3.829	4.279 ^{+0.035} / _{+0.000}	.046 ±0.002	.225 ±0.005	13.84
WHL-473	.120	4.500	4.712		4.732	.111	.250	16.90
WHM-425	.120 ^{+0.005} / _{+0.000}	4.250	4.490 ±0.006	3.896	4.520 ^{+0.035} / _{+0.000}	.111 ±0.003	.312 ±0.006	30.75
WHL-472	.098	4.500	4.700		4.721	.093	.187	16.90
WHM-433	.120 ^{+0.005} / _{+0.000}	4.330	4.570 ±0.006	3.976	4.600 ^{+0.035} / _{+0.000}	.111 ±0.003	.312 ±0.006	18.40
WH-450	.068 ^{+0.005} / _{+0.000}	4.500	4.636 ±0.006	4.198	4.674 ^{+0.035} / _{+0.000}	.061 ±0.003	.238 ±0.005	10.24
WHM-450	.120 ^{+0.005} / _{+0.000}	4.500	4.740 ±0.006	4.146	4.770 ^{+0.035} / _{+0.000}	.111 ±0.003	.312 ±0.006	33.66
WHT-450	.120 ^{+0.005} / _{+0.000}	4.500	4.735 ±0.006	4.144	4.768 ^{+0.035} / _{+0.000}	.111 ±0.003	.312 ±0.006	24.23
WHL-495	.103	4.750	4.938		4.958	.093	.187	45.50

RETAINER RINGS

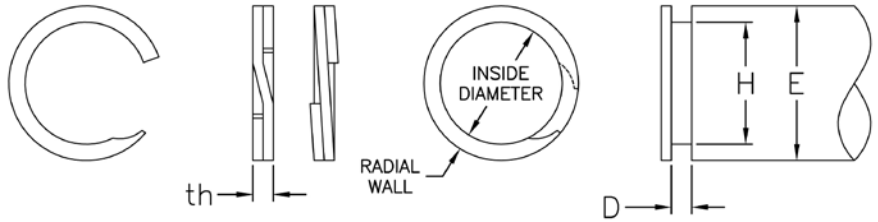
SPIRAL INTERNAL RETAINER RINGS

RETAINER RINGS

Part Number	D GROOVE WIDTH	F THROAT DIAMETER	G HOUSING DIAMETER	INSIDE DIAMETER	OUTSIDE DIAMETER	th THICKNESS	RADIAL WALL	List Price
VH-462	.052 ^{+0.004} / _{+0.000}	4.625	4.735 ±.006	4.334	4.784 ^{+0.035} / _{+0.000}	.046 ±.002	.225 ±.005	14.69
WHT-475	.120 ^{+0.005} / _{+0.000}	4.750	4.995 ±.006	4.404	5.028 ^{+0.035} / _{+0.000}	.111 ±.003	.312 ±.006	27.31
WHL-525	.0987	5.125	5.223		5.252	.090	.187	84.84
WH-500	.079 ^{+0.005} / _{+0.000}	5.000	5.144 ±.006	4.685	5.185 ^{+0.035} / _{+0.000}	.072 ±.004	.250 ±.005	12.05
WHT-500	.120 ^{+0.005} / _{+0.000}	5.000	5.260 ±.006	4.671	5.295 ^{+0.035} / _{+0.000}	.111 ±.003	.312 ±.006	28.40
WHL-573	.120	5.500	5.720		5.739	.111	.250	17.27
WH-525	.079 ^{+0.005} / _{+0.000}	5.250	5.393 ±.007	4.936	5.436 ^{+0.045} / _{+0.000}	.072 ±.004	.250 ±.005	12.87
WHL-574	.098	5.500	5.720		5.740	.093	.187	15.35
VH-550	.067 ^{+0.004} / _{+0.000}	5.500	5.638 ±.007	5.244	5.694 ^{+0.045} / _{+0.000}	.061 ±.002	.225 ±.005	15.20
WH-550	.079 ^{+0.005} / _{+0.000}	5.500	5.647 ±.007	5.193	5.693 ^{+0.045} / _{+0.000}	.072 ±.004	.250 ±.005	11.01
WHT-550	.139 ^{+0.006} / _{+0.000}	5.500	5.770 ±.007	5.060	5.810 ^{+0.045} / _{+0.000}	.127 ±.004	.375 ±.006	30.62
WH-551	.079 ^{+0.005} / _{+0.000}	5.511	5.658 ±.007	5.203	5.703 ^{+0.045} / _{+0.000}	.072 ±.004	.250 ±.005	17.99
WHL-595	.131	5.750	5.936		5.956	.122	.187	82.50
WH-570	.079 ^{+0.005} / _{+0.000}	5.708	5.861 ±.007	5.409	5.909 ^{+0.045} / _{+0.000}	.072 ±.004	.250 ±.005	25.56
VH-575	.067 ^{+0.004} / _{+0.000}	5.750	5.894 ±.007	5.503	5.953 ^{+0.045} / _{+0.000}	.061 ±.002	.225 ±.005	16.47
WH-600	.079 ^{+0.005} / _{+0.000}	6.000	6.153 ±.007	5.702	6.202 ^{+0.045} / _{+0.000}	.072 ±.004	.250 ±.005	15.20
WHM-600	.139 ^{+0.006} / _{+0.000}	6.000	6.270 ±.007	5.614	6.314 ^{+0.050} / _{+0.000}	.127 ±.004	.350 ±.006	36.90
WHT-600	.139 ^{+0.006} / _{+0.000}	6.000	6.270 ±.007	5.564	6.314 ^{+0.045} / _{+0.000}	.127 ±.004	.375 ±.006	30.84
WH-612	.094 ^{+0.006} / _{+0.000}	6.125	6.297 ±.008	5.725	6.349 ^{+0.045} / _{+0.000}	.086 ±.004	.312 ±.006	15.60
WHL-672	.120	6.500	6.706		6.726	.111	.250	13.38
WHL-683	.115	6.500	6.800		6.830	.105	.204	40.95
WHT-650	.174 ^{+0.008} / _{+0.000}	6.500	6.790 ±.008	6.213	6.837 ^{+0.055} / _{+0.000}	.165 ±.005	.312 ±.006	97.24
WHT-662	.174 ^{+0.008} / _{+0.000}	6.625	6.925 ±.008	6.349	6.973 ^{+0.055} / _{+0.000}	.165 ±.005	.312 ±.006	124.10
WHL-724	.131	6.875	7.229		7.249	.122	.245	114.87
VH-675	.067 ^{+0.004} / _{+0.000}	6.750	6.919 ±.008	6.458	6.988 ^{+0.045} / _{+0.000}	.061 ±.002	.265 ±.005	16.05
WH-700	.094 ^{+0.006} / _{+0.000}	7.000	7.182 ±.008	6.615	7.239 ^{+0.055} / _{+0.000}	.086 ±.004	.312 ±.006	29.10
WHT-700	.174 ^{+0.008} / _{+0.000}	7.000	7.315 ±.008	6.742	7.366 ^{+0.055} / _{+0.000}	.165 ±.005	.312 ±.006	70.13
WH-712	.094 ^{+0.006} / _{+0.000}	7.125	7.317 ±.008	6.752	7.376 ^{+0.055} / _{+0.000}	.086 ±.004	.312 ±.006	29.01
WHL-770	.120	7.500	7.680		7.700	.111	.250	17.73
WH-750	.094 ^{+0.006} / _{+0.000}	7.500	7.692 ±.008	7.130	7.754 ^{+0.065} / _{+0.000}	.086 ±.004	.312 ±.006	30.58
WHL-849	.131	8.125	8.473		8.493	.122	.245	153.17
WHL-871	.120	8.500	8.690		8.710	.111	.250	21.96
WHL-876	.120	8.520	8.740		8.760	.111	.250	36.81
WH-850	.094 ^{+0.006} / _{+0.000}	8.500	8.712 ±.008	8.030	8.780 ^{+0.065} / _{+0.000}	.086 ±.004	.375 ±.006	47.05
WHL-992	.115	9.625	9.907		9.927	.108	.250	262.88
WHL-1013	.115	10.000	10.100		10.120	.108	.250	91.23
WHT-975	.209 ^{+0.008} / _{+0.000}	9.750	10.189 ±.008	9.510	10.260 ^{+0.070} / _{+0.000}	.189 ±.005	.375 ±.006	106.10
WHT-1050	.209 ^{+0.008} / _{+0.000}	10.500	10.970 ±.008	10.322	11.072 ^{+0.070} / _{+0.000}	.189 ±.005	.375 ±.006	184.86

SPIRAL EXTERNAL RETAINER RINGS

SPIRAL RETAINER CROSS REFERENCE	
Hercules® Sealing Prefix	Ramsey Spirolox Prefix
VS-	US-
WS-	RS-
WST-	RSN-
WSM-	RST-



Part Number	D GROOVE WIDTH	E SHAFT DIAMETER	H GROOVE DIAMETER	INSIDE DIAMETER	OUTSIDE DIAMETER	th THICKNESS	RADIAL WALL	List Price
WSM-50	.039 ^{+0.003} / _{+0.000}	.500	.468 ±.002	.464 ^{+0.000} / _{-.013}	.564	.035 ±.002	.050 ±.004	\$1.60
WSM-62	.039 ^{+0.003} / _{+0.000}	.625	.588 ±.003	.583 ^{+0.000} / _{-.013}	.693	.035 ±.002	.055 ±.004	1.77
WSM-75	.046 ^{+0.003} / _{+0.000}	.750	.704 ±.003	.698 ^{+0.000} / _{-.013}	.828	.042 ±.002	.065 ±.004	3.41
WST-75	.046 ^{+0.003} / _{+0.000}	.750	.715 ±.003	.708 ^{+0.000} / _{-.013}	.838	.042 ±.002	.065 ±.004	1.41
WSM-87	.046 ^{+0.003} / _{+0.000}	.875	.821 ±.003	.814 ^{+0.000} / _{-.013}	.964	.042 ±.002	.075 ±.004	3.78
WST-93	.046 ^{+0.003} / _{+0.000}	.938	.894 ±.003	.886 ^{+0.000} / _{-.013}	1.036	.042 ±.002	.075 ±.004	2.94
WSM-100	.046 ^{+0.003} / _{+0.000}	1.000	.940 ±.003	.932 ^{+0.000} / _{-.013}	1.102	.042 ±.002	.085 ±.004	3.85
WS-103	.042 ^{+0.003} / _{+0.000}	1.031	.988 ±.003	.978 ^{+0.000} / _{-.013}	1.128	.037 ±.002	.075 ±.004	1.24
WST-106	.056 ^{+0.004} / _{+0.000}	1.062	1.015 ±.004	1.005 ^{+0.000} / _{-.015}	1.181	.050 ±.002	.088 ±.004	4.21
WSM-112	.056 ^{+0.004} / _{+0.000}	1.125	1.059 ±.004	1.047 ^{+0.000} / _{-.013}	1.253	.050 ±.002	.103 ±.004	3.85
VS-118	.031 ^{+0.002} / _{+0.000}	1.187	1.143 ±.004	1.132 ^{+0.000} / _{-.015}	1.308	.025 ±.002	.088 ±.004	0.56
WSM-125	.056 ^{+0.004} / _{+0.000}	1.250	1.176 ±.004	1.163 ^{+0.000} / _{-.013}	1.369	.050 ±.002	.103 ±.004	4.24
WS-131	.048 ^{+0.004} / _{+0.000}	1.312	1.264 ±.004	1.251 ^{+0.000} / _{-.015}	1.441	.043 ±.002	.095 ±.004	2.04
WSM-137	.056 ^{+0.004} / _{+0.000}	1.375	1.291 ±.004	1.277 ^{+0.000} / _{-.013}	1.513	.050 ±.002	.118 ±.004	4.24
VS-137	.031 ^{+0.002} / _{+0.000}	1.375	1.331 ±.004	1.318 ^{+0.000} / _{-.015}	1.494	.025 ±.002	.088 ±.004	1.04
WS-137	.048 ^{+0.004} / _{+0.000}	1.375	1.323 ±.004	1.308 ^{+0.000} / _{-.015}	1.498	.043 ±.002	.095 ±.004	2.04
WS-143	.048 ^{+0.004} / _{+0.000}	1.437	1.385 ±.004	1.370 ^{+0.000} / _{-.015}	1.560	.043 ±.002	.095 ±.004	2.48
WSM-150	.056 ^{+0.004} / _{+0.000}	1.500	1.406 ±.004	1.390 ^{+0.000} / _{-.013}	1.626	.050 ±.002	.118 ±.004	4.46
WST-162	.068 ^{+0.004} / _{+0.000}	1.625	1.550 ±.005	1.537 ^{+0.000} / _{-.020}	1.773	.062 ±.003	.118 ±.004	4.25
VS-162	.039 ^{+0.003} / _{+0.000}	1.625	1.568 ±.005	1.550 ^{+0.000} / _{-.020}	1.786	.031 ±.002	.118 ±.004	1.13
WST-168	.068 ^{+0.004} / _{+0.000}	1.687	1.610 ±.005	1.598 ^{+0.000} / _{-.020}	1.834	.062 ±.003	.118 ±.004	7.42
WSM-175	.068 ^{+0.004} / _{+0.000}	1.750	1.650 ±.005	1.633 ^{+0.000} / _{-.020}	1.889	.062 ±.003	.128 ±.004	4.48
WST-175	.068 ^{+0.004} / _{+0.000}	1.750	1.670 ±.005	1.657 ^{+0.000} / _{-.020}	1.893	.062 ±.003	.118 ±.004	6.86
WS-175	.056 ^{+0.004} / _{+0.000}	1.750	1.691 ±.005	1.673 ^{+0.000} / _{-.020}	1.909	.049 ±.003	.118 ±.004	3.72
WST-187	.068 ^{+0.004} / _{+0.000}	1.875	1.790 ±.005	1.774 ^{+0.000} / _{-.020}	2.020	.062 ±.003	.123 ±.004	6.97
VS-187	.039 ^{+0.003} / _{+0.000}	1.875	1.818 ±.005	1.798 ^{+0.000} / _{-.020}	2.034	.031 ±.002	.118 ±.004	1.41

SPIRAL EXTERNAL RETAINER RINGS

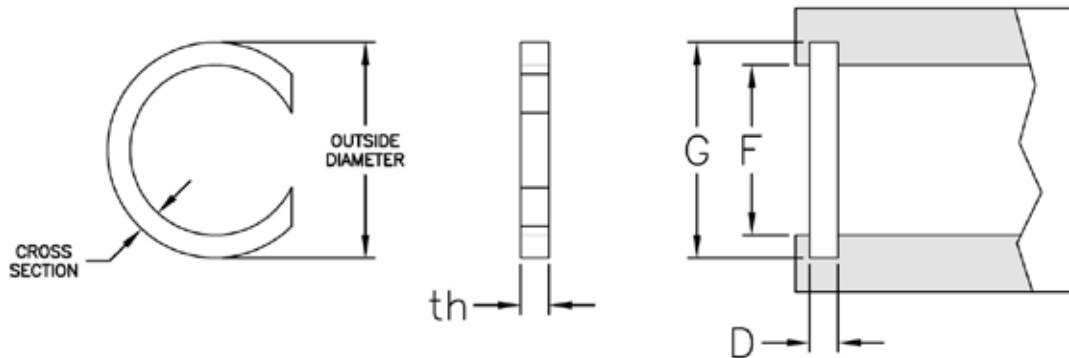
RETAINER RINGS

Part Number	D GROOVE WIDTH	E SHAFT DIAMETER	H GROOVE DIAMETER	INSIDE DIAMETER	OUTSIDE DIAMETER	th THICKNESS	RADIAL WALL	List Price
WSM-200	.068 ^{+0.04} / _{+0.00}	2.000	1.886 ±0.05	1.867 ^{+0.00} / _{-.020}	2.183	.062 ±0.003	.158 ±0.004	11.84
WS-196	.056 ^{+0.04} / _{+0.00}	1.969	1.902 ±0.05	1.882 ^{+0.00} / _{-.020}	2.138	.049 ±0.003	.128 ±0.004	3.99
VS-206	.039 ^{+0.03} / _{+0.00}	2.062	1.986 ±0.06	1.963 ^{+0.00} / _{-.025}	2.279	.031 ±0.002	.158 ±0.004	1.85
WS-206	.056 ^{+0.04} / _{+0.00}	2.062	1.992 ±0.06	1.971 ^{+0.00} / _{-.020}	2.227	.049 ±0.003	.128 ±0.004	8.19
VS-225	.039 ^{+0.03} / _{+0.00}	2.250	2.174 ±0.06	2.149 ^{+0.00} / _{-.025}	2.465	.031 ±0.002	.158 ±0.004	2.00
WS-225	.056 ^{+0.04} / _{+0.00}	2.250	2.176 ±0.06	2.153 ^{+0.00} / _{-.025}	2.429	.049 ±0.003	.138 ±0.004	5.09
WS-231	.056 ^{+0.04} / _{+0.00}	2.312	2.234 ±0.06	2.211 ^{+0.00} / _{-.025}	2.487	.049 ±0.003	.138 ±0.004	9.63
WS-236	.056 ^{+0.04} / _{+0.00}	2.362	2.284 ±0.06	2.261 ^{+0.00} / _{-.025}	2.537	.049 ±0.003	.138 ±0.004	11.24
WST-250	.086 ^{+0.05} / _{+0.00}	2.500	2.385 ±0.06	2.366 ^{+0.00} / _{-.025}	2.742	.078 ±0.003	.188 ±0.005	12.81
WS-250	.056 ^{+0.04} / _{+0.00}	2.500	2.418 ±0.06	2.394 ^{+0.00} / _{-.025}	2.690	.049 ±0.003	.148 ±0.004	7.76
WST-262	.086 ^{+0.05} / _{+0.00}	2.625	2.505 ±0.06	2.485 ^{+0.00} / _{-.025}	2.861	.078 ±0.003	.188 ±0.005	13.64
WS-268	.056 ^{+0.04} / _{+0.00}	2.688	2.597 ±0.06	2.572 ^{+0.00} / _{-.025}	2.888	.049 ±0.003	.158 ±0.004	8.27
WST-275	.103 ^{+0.05} / _{+0.00}	2.750	2.625 ±0.06	2.604 ^{+0.00} / _{-.030}	2.980	.093 ±0.003	.188 ±0.005	12.77
WS-275	.056 ^{+0.04} / _{+0.00}	2.750	2.660 ±0.06	2.635 ^{+0.00} / _{-.030}	2.951	.049 ±0.003	.158 ±0.004	8.27
WS-293	.056 ^{+0.04} / _{+0.00}	2.937	2.843 ±0.06	2.817 ^{+0.00} / _{-.030}	3.153	.049 ±0.003	.168 ±0.005	10.80
WST-300	.103 ±0.005	3.000	2.860 ±0.06	2.838 ^{+0.00} / _{-.030}	3.214	.093 ±0.003	.188 ±0.005	12.92
VS-300	.039 ^{+0.03} / _{+0.00}	3.000	2.924 ±0.06	2.892 ^{+0.00} / _{-.025}	3.208	.031 ±0.002	.158 ±0.004	2.34
WS-312	.068 ^{+0.05} / _{+0.00}	3.125	3.027 ±0.06	3.000 ^{+0.00} / _{-.030}	3.356	.061 ±0.003	.178 ±0.005	10.84
WSM-325	.103 ^{+0.05} / _{+0.00}	3.250	3.076 ±0.06	3.054 ^{+0.00} / _{-.030}	3.504	.093 ±0.003	.225 ±0.005	14.59
WS-325	.068 ^{+0.05} / _{+0.00}	3.250	3.150 ±0.06	3.121 ^{+0.00} / _{-.030}	3.477	.061 ±0.003	.178 ±0.005	13.18
WS-334	.068 ^{+0.05} / _{+0.00}	3.343	3.239 ±0.06	3.210 ^{+0.00} / _{-.030}	3.586	.061 ±0.003	.188 ±0.005	15.20
WST-343	.103 ±0.005	3.437	3.280 ±0.06	3.254 ^{+0.00} / _{-.030}	3.630	.093 ±0.003	.188 ±0.005	15.10
WST-350	.120 ±0.005	3.500	3.340 ±0.06	3.153 ^{+0.00} / _{-.040}	3.653	.111 ±0.003	.250 ±0.005	17.96
WS-362	.068 ^{+0.05} / _{+0.00}	3.625	3.515 ±0.06	3.483 ^{+0.00} / _{-.040}	3.879	.061 ±0.003	.198 ±0.005	7.19
WST-375	.120 ±0.005	3.750	3.577 ±0.06	3.550 ^{+0.00} / _{-.040}	4.050	.111 ±0.003	.250 ±0.005	19.84
VS-375	.044 ^{+0.03} / _{+0.00}	3.750	3.658 ±0.06	3.620 ^{+0.00} / _{-.030}	3.996	.039 ±0.002	.188 ±0.005	5.66
WST-400	.120 ±0.005	4.000	3.815 ±0.06	3.787 ^{+0.00} / _{-.040}	4.287	.111 ±0.003	.250 ±0.005	32.38
VS-400	.044 ^{+0.03} / _{+0.00}	4.000	3.908 ±0.06	3.867 ^{+0.00} / _{-.030}	4.243	.039 ±0.002	.188 ±0.005	4.05
VS-412	.052 ^{+0.04} / _{+0.00}	4.125	4.015 ±0.06	3.973 ^{+0.00} / _{-.035}	4.423	.046 ±0.002	.225 ±0.005	4.05
WST-425	.120 ±0.005	4.250	4.065 ±0.06	4.032 ^{+0.00} / _{-.040}	4.532	.111 ±0.003	.250 ±0.005	54.14
WST-450	.120 ±0.005	4.500	4.310 ±0.06	4.280 ^{+0.00} / _{-.040}	4.780	.111 ±0.003	.250 ±0.005	32.51
WS-450	.068 ^{+0.05} / _{+0.00}	4.500	4.364 ±0.06	4.326 ^{+0.00} / _{-.040}	4.802	.061 ±0.003	.238 ±0.005	15.55
WST-500	.120 ±0.005	5.000	4.790 ±0.06	4.755 ^{+0.00} / _{-.040}	5.255	.111 ±0.003	.250 ±0.005	17.36

SPIRAL EXTERNAL RETAINER RINGS

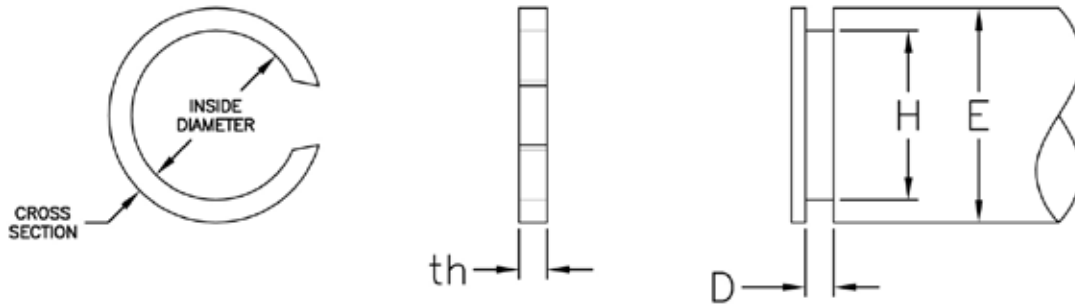
Part Number	D GROOVE WIDTH	E SHAFT DIAMETER	H GROOVE DIAMETER	INSIDE DIAMETER	OUTSIDE DIAMETER	th THICKNESS	RADIAL WALL	List Price
WS-525	.079 ^{+0.005} / _{+0.000}	5.250	5.107 ±.007	5.064 ^{+0.000} / _{-.050}	5.564	.072 ±.004	.250 ±.005	24.36
VS-525	.067 ^{+0.004} / _{+0.000}	5.250	5.119 ±.007	5.067 ^{+0.000} / _{-.045}	5.517	.061 ±.002	.225 ±.005	22.45
WS-537	.079 ^{+0.005} / _{+0.000}	5.375	5.228 ±.007	5.187 ^{+0.000} / _{-.050}	5.687	.072 ±.004	.250 ±.005	26.87
WS-550	.079 ^{+0.005} / _{+0.000}	5.500	5.353 ±.007	5.308 ^{+0.000} / _{-.050}	5.808	.072 ±.004	.250 ±.005	27.90
VS-625	.067 ^{+0.004} / _{+0.000}	6.250	6.094 ±.008	6.033 ^{+0.000} / _{-.045}	6.563	.061 ±.002	.265 ±.005	16.96
WST-675	.174 ^{+0.008} / _{+0.000}	6.750	6.465 ±.008	6.420 ^{+0.000} / _{-.060}	7.044	.165 ±.005	.312 ±.006	79.05

EATON NAN SERIES INTERNAL RETAINER RINGS



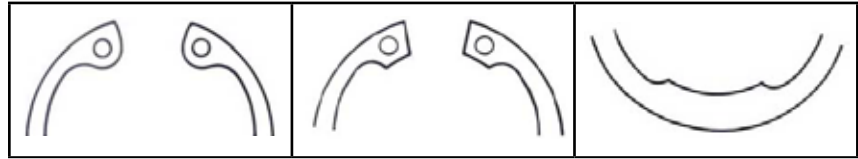
Part Number	D GROOVE WIDTH	F THROAT DIAMETER	G HOUSING DIAMETER	INSIDE DIAMETER	OUTSIDE DIAMETER	th THICKNESS	CROSS SECTION	List Price
NAN-75	.039 ^{+0.003} / _{+0.000}	.750	.786 ±.003	.703	.799 ^{+0.025} / _{+0.000}	.035 ±.002	.048 ±.003	\$5.02
NAN-87	.046 ^{+0.003} / _{+0.000}	.875	.919 ±.003	.810	.934 ^{+0.031} / _{+0.000}	.042 ±.002	.062 ±.003	5.46
NAN-100	.046 ^{+0.003} / _{+0.000}	1.000	1.052 ±.003	.914	1.070 ^{+0.031} / _{+0.000}	.042 ±.002	.078 ±.003	5.79
NAN-112	.056 ^{+0.003} / _{+0.000}	1.125	1.181 ±.005	1.016	1.202 ^{+0.031} / _{+0.000}	.050 ±.002	.093 ±.003	5.93
NAN-125	.056 ^{+0.003} / _{+0.000}	1.250	1.314 ±.005	1.119	1.337 ^{+0.031} / _{+0.000}	.050 ±.002	.109 ±.003	6.36
NAN-137	.056 ^{+0.003} / _{+0.000}	1.375	1.447 ±.005	1.254	1.472 ^{+0.031} / _{+0.000}	.050 ±.002	.109 ±.003	6.58
NAN-150	.056 ^{+0.003} / _{+0.000}	1.500	1.576 ±.005	1.357	1.607 ^{+0.031} / _{+0.000}	.050 ±.002	.125 ±.005	6.75
NAN-156	.068 ^{+0.004} / _{+0.000}	1.562	1.642 ±.005	1.418	1.668 ^{+0.046} / _{+0.000}	.062 ±.002	.125 ±.005	7.36

EATON XAN SERIES EXTERNAL RETAINER RINGS



Part Number	D GROOVE WIDTH	E SHAFT DIAMETER	H GROOVE DIAMETER	INSIDE DIAMETER	OUTSIDE DIAMETER	th THICKNESS	CROSS SECTION	List Price
XAN-62	.039 ^{+0.003} / _{+0.000}	.625	.597 ±.002	.586 ^{+0.000} / _{-.025}	.710	.035 ±.002	.062 ±.003	\$ 4.19
XAN-75	.046 ^{+0.003} / _{+0.000}	.750	.716 ±.002	.703 ^{+0.000} / _{-.025}	.827	.042 ±.002	.062 ±.003	5.02
XAN-87	.046 ^{+0.003} / _{+0.000}	.875	.835 ±.003	.820 ^{+0.000} / _{-.031}	.976	.042 ±.002	.078 ±.003	5.46
XAN-100	.046 ^{+0.003} / _{+0.000}	1.000	.956 ±.003	.941 ^{+0.000} / _{-.031}	1.127	.042 ±.002	.093 ±.003	5.79
XAN-112	.056 ^{+0.004} / _{+0.000}	1.125	1.075 ±.003	1.060 ^{+0.000} / _{-.031}	1.246	.050 ±.002	.093 ±.003	5.93
XAN-125	.056 ^{+0.004} / _{+0.000}	1.250	1.194 ±.004	1.179 ^{+0.000} / _{-.031}	1.365	.050 ±.002	.093 ±.003	6.36
XAN-137	.056 ^{+0.004} / _{+0.000}	1.375	1.309 ±.004	1.291 ^{+0.000} / _{-.031}	1.509	.050 ±.002	.109 ±.003	6.58
XAN-150	.056 ^{+0.004} / _{+0.000}	1.500	1.430 ±.004	1.408 ^{+0.000} / _{-.031}	1.626	.050 ±.002	.109 ±.003	6.75
XAN-275	.103 ^{+0.005} / _{+0.000}	2.750	2.624 ±.006	2.594 ^{+0.000} / _{-.062}	2.968	.093 ±.002	.187 ±.005	19.65
XAN-325	.103 ^{+0.005} / _{+0.000}	3.250	3.100 ±.006	3.070 ^{+0.000} / _{-.062}	3.570	.093 ±.002	.250 ±.005	31.82
XAN-375	.120 ^{+0.005} / _{+0.000}	3.750	3.576 ±.006	3.541 ^{+0.000} / _{-.078}	4.041	.109 ±.002	.250 ±.005	46.08

INTERNAL RETAINER RINGS (TRU-ARC TYPE)



RETAINER RINGS

Part Number	D GROOVE WIDTH	F THROAT DIAMETER	G HOUSING DIAMETER	OUTSIDE DIAMETER	th THICKNESS	List Price
300-025	.020 ^{+0.02} / _{+0.00}	.250	.268 ±0.01	.280 ^{+0.010} / _{-.005}	.015 ±0.02	\$ 1.16
300-045	.029 ^{+0.003} / _{+0.00}	.453	.477 ±0.02	.498 ^{+0.010} / _{-.005}	.025 ±0.02	1.24
300-050	.039 ^{+0.003} / _{+0.00}	.500	.530 ±0.02	.548 ^{+0.010} / _{-.005}	.035 ±0.02	1.16
300-062	.039 ^{+0.003} / _{+0.00}	.625	.665 ±0.02	.694 ^{+0.010} / _{-.005}	.035 ±0.02	1.16
300-075	.039 ^{+0.003} / _{+0.00}	.750	.796 ±0.02	.831 ^{+0.010} / _{-.005}	.035 ±0.02	1.26
300-087	.046 ^{+0.003} / _{+0.00}	.875	.931 ±0.03	.971 ^{+0.015} / _{-.010}	.042 ±0.02	1.26
300-090	.046 ^{+0.003} / _{+0.00}	.901	.959 ±0.03	1.000 ^{+0.015} / _{-.010}	.042 ±0.02	1.24
300-093	.046 ^{+0.003} / _{+0.00}	.938	1.000 ±0.03	1.041 ^{+0.015} / _{-.010}	.042 ±0.02	1.24
300-100	.046 ^{+0.003} / _{+0.00}	1.000	1.066 ±0.03	1.111 ^{+0.015} / _{-.010}	.042 ±0.02	1.26
300-102	.046 ^{+0.003} / _{+0.00}	1.023	1.091 ±0.03	1.136 ^{+0.015} / _{-.010}	.042 ±0.02	1.26
300-106	.056 ^{+0.004} / _{+0.00}	1.062	1.130 ±0.04	1.180 ^{+0.025} / _{-.020}	.050 ±0.02	2.47
300-112	.056 ^{+0.004} / _{+0.00}	1.125	1.197 ±0.04	1.249 ^{+0.025} / _{-.020}	.050 ±0.02	1.31
300-118	.056 ^{+0.004} / _{+0.00}	1.188	1.262 ±0.04	1.319 ^{+0.025} / _{-.020}	.050 ±0.02	1.95
300-125	.056 ^{+0.004} / _{+0.00}	1.250	1.330 ±0.04	1.388 ^{+0.025} / _{-.020}	.050 ±0.02	1.45
300-137	.056 ^{+0.004} / _{+0.00}	1.375	1.461 ±0.04	1.526 ^{+0.025} / _{-.020}	.050 ±0.02	1.60
300-143	.056 ^{+0.004} / _{+0.00}	1.438	1.528 ±0.04	1.596 ^{+0.025} / _{-.020}	.050 ±0.02	1.78
300-150	.056 ^{+0.004} / _{+0.00}	1.500	1.594 ±0.04	1.660 ^{+0.025} / _{-.020}	.050 ±0.02	1.78
300-156	.068 ^{+0.004} / _{+0.00}	1.562	1.658 ±0.05	1.734 ^{+0.035} / _{-.025}	.062 ±0.03	2.68
300-162	.068 ^{+0.004} / _{+0.00}	1.625	1.725 ±0.05	1.804 ^{+0.035} / _{-.025}	.062 ±0.03	2.68
300-165	.068 ^{+0.004} / _{+0.00}	1.653	1.755 ±0.05	1.835 ^{+0.035} / _{-.025}	.062 ±0.03	1.88
300-168	.068 ^{+0.004} / _{+0.00}	1.688	1.792 ±0.05	1.874 ^{+0.035} / _{-.025}	.062 ±0.03	5.05
300-175	.068 ^{+0.004} / _{+0.00}	1.750	1.858 ±0.05	1.942 ^{+0.035} / _{-.025}	.062 ±0.03	3.08
300-181	.068 ^{+0.004} / _{+0.00}	1.8125	1.922 ±0.05	2.012 ^{+0.035} / _{-.025}	.062 ±0.03	3.32
300-187	.068 ^{+0.004} / _{+0.00}	1.875	1.989 ±0.05	2.072 ^{+0.035} / _{-.025}	.062 ±0.03	3.24
300-193	.068 ^{+0.004} / _{+0.00}	1.938	2.056 ±0.05	2.141 ^{+0.035} / _{-.025}	.062 ±0.03	2.38
300-200	.068 ^{+0.004} / _{+0.00}	2.000	2.122 ±0.05	2.210 ^{+0.035} / _{-.025}	.062 ±0.03	3.29
300-206	.086 ^{+0.005} / _{+0.00}	2.062	2.186 ±0.06	2.280 ^{+0.040} / _{-.030}	.078 ±0.03	5.38
300-212	.086 ^{+0.005} / _{+0.00}	2.125	2.251 ±0.06	2.350 ^{+0.040} / _{-.030}	.078 ±0.03	5.76

INTERNAL RETAINER RINGS (TRU-ARC TYPE)

Part Number	D GROOVE WIDTH	F THROAT DIAMETER	G HOUSING DIAMETER	OUTSIDE DIAMETER	th THICKNESS	List Price
300-225	.086 ^{+0.05} / _{+0.00}	2.250	2.382 ±.006	2.490 ^{+0.040} / _{-.030}	.078 ±.003	5.76
300-231	.086 ^{+0.05} / _{+0.00}	2.312	2.450 ±.006	2.535 ^{+0.040} / _{-.030}	.078 ±.003	5.73
300-237	.086 ^{+0.05} / _{+0.00}	2.375	2.517 ±.006	2.630 ^{+0.040} / _{-.030}	.078 ±.003	5.76
300-244	.086 ^{+0.05} / _{+0.00}	2.440	2.584 ±.006	2.702 ^{+0.040} / _{-.030}	.078 ±.003	5.92
300-250	.086 ^{+0.05} / _{+0.00}	2.500	2.648 ±.006	2.775 ^{+0.040} / _{-.030}	.078 ±.003	6.36
300-256	.103 ^{+0.05} / _{+0.00}	2.562	2.714 ±.006	2.844 ^{+0.040} / _{-.030}	.093 ±.003	7.39
300-262	.103 ^{+0.05} / _{+0.00}	2.625	2.781 ±.006	2.910 ^{+0.040} / _{-.030}	.093 ±.003	11.90
300-275	.103 ^{+0.05} / _{+0.00}	2.750	2.914 ±.006	3.050 ^{+0.040} / _{-.030}	.093 ±.003	8.03
300-281	.103 ^{+0.05} / _{+0.00}	2.835	2.980 ±.006	3.121 ^{+0.040} / _{-.030}	.093 ±.003	13.21
300-287	.103 ^{+0.05} / _{+0.00}	2.875	3.051 ±.006	3.191 ^{+0.040} / _{-.030}	.093 ±.003	25.02
300-300	.103 ^{+0.05} / _{+0.00}	3.000	3.182 ±.006	3.325 ^{+0.040} / _{-.030}	.093 ±.003	9.88
300-306	.120 ^{+0.05} / _{+0.00}	3.062	3.248 ±.006	3.418 ±.055	.109 ±.003	11.90
300-312	.120 ^{+0.05} / _{+0.00}	3.125	3.315 ±.006	3.488 ±.055	.109 ±.003	14.96
300-315	.120 ^{+0.05} / _{+0.00}	3.149	3.348 ±.006	3.523 ±.055	.109 ±.003	14.96
300-325	.120 ^{+0.05} / _{+0.00}	3.250	3.446 ±.006	3.623 ±.055	.109 ±.003	15.60
300-350	.120 ^{+0.05} / _{+0.00}	3.500	3.710 ±.006	3.890 ±.055	.109 ±.003	15.60
300-354	.120 ^{+0.05} / _{+0.00}	3.562	3.755 ±.006	3.936 ±.055	.109 ±.003	16.03
300-362	.120 ^{+0.05} / _{+0.00}	3.625	3.841 ±.006	4.024 ±.055	.109 ±.003	17.64
300-375	.120 ^{+0.05} / _{+0.00}	3.750	3.974 ±.006	4.157 ±.065	.109 ±.003	17.99
300-387	.120 ^{+0.05} / _{+0.00}	3.875	4.107 ±.006	4.291 ±.065	.109 ±.003	39.41
300-393	.120 ^{+0.05} / _{+0.00}	3.938	4.174 ±.006	4.358 ±.065	.109 ±.003	18.98
300-400	.120 ^{+0.05} / _{+0.00}	4.000	4.240 ±.006	4.424 ±.065	.109 ±.003	18.98
300-412	.120 ^{+0.05} / _{+0.00}	4.125	4.365 ±.006	4.558 ±.065	.109 ±.003	22.75
300-425	.120 ^{+0.05} / _{+0.00}	4.250	4.490 ±.006	4.691 ±.065	.109 ±.003	29.48
300-433	.120 ^{+0.05} / _{+0.00}	4.331	4.571 ±.006	4.756 ±.065	.109 ±.003	22.75
300-450	.120 ^{+0.05} / _{+0.00}	4.500	4.740 ±.006	4.940 ±.065	.109 ±.003	22.75
300-462	.120 ^{+0.05} / _{+0.00}	4.625	4.865 ±.006	5.076 ±.065	.109 ±.003	26.16
300-475	.120 ^{+0.05} / _{+0.00}	4.750	4.995 ±.006	5.213 ±.065	.109 ±.003	28.43
300-500	.120 ^{+0.05} / _{+0.00}	5.000	5.260 ±.006	5.485 ±.065	.109 ±.003	29.08
300-525	.139 ^{+0.05} / _{+0.00}	5.250	5.520 ±.007	5.770 ±.065	.125 ±.004	29.44
300-537	.139 ^{+0.06} / _{+0.00}	5.375	5.650 ±.007	5.910 ±.065	.125 ±.004	59.65
300-550	.139 ^{+0.06} / _{+0.00}	5.500	5.770 ±.007	6.066 ±.065	.125 ±.004	34.13
300-600	.139 ^{+0.06} / _{+0.00}	6.000	6.270 ±.007	6.620 ±.065	.125 ±.004	52.32

INTERNAL RETAINER RINGS (TRU-ARC TYPE)

Part Number	D GROOVE WIDTH	F THROAT DIAMETER	G HOUSING DIAMETER	OUTSIDE DIAMETER	th THICKNESS	List Price
300-625	.174 ^{+0.008} / _{+0.000}	6.250	6.530 ±.008	6.895 ±.080	.156 ±.005	84.66
300-650	.174 ^{+0.008} / _{+0.000}	6.500	6.790 ±.008	7.170 ±.080	.156 ±.005	87.32
300-700	.174 ^{+0.008} / _{+0.000}	7.000	7.315 ±.008	7.720 ±.080	.156 ±.005	194.20

COMBINATION SNAP RING PLIER SET

Part Number: SR PLIER 4PC SET

Net Price: \$23.49

- Effective Range 10-50mm (3/8" - 2.00")
- Combination Internal - External snapping plier set
- Set comes with 180°, 90°, 45°, 3 piece convertible tips.
- Jaws can be exchanged easily for 6 internal - external different purposes



INTERNAL PLIERS

Part Number: 5R INT PLIER

Net Price: \$66.33

Part Number: 7R INT PLIER

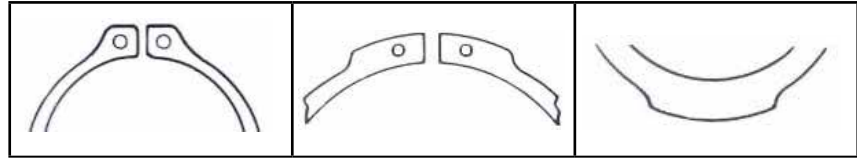
Net Price: \$104.76

- *5R INT Plier is an internal plier with a .090° DIA, 0°
- Effective Range 45-89mm (1.81" - 3-1/2")

- *7R INT Plier is a large internal plier with a .120° DIA, 0°
- Effective Range 77-152mm (3.06" - 6.00")



EXTERNAL RETAINER RINGS (TRU-ARC TYPE)



HD= HEAVY DUTY RING

Part Number	D GROOVE WIDTH	E SHAFT DIAMETER	H GROOVE DIAMETER	INSIDE DIAMETER	th THICKNESS	List Price
310-025	.029 ^{+0.003} / _{+0.000}	.250	.230 ±.002	.225 ^{-0.111} / _{-0.117}	.025 ±.001	\$0.93
310-028	.029 ^{+0.003} / _{+0.000}	.281	.261 ±.002	.256 ^{+0.002} / _{-0.005}	.025 ±.002	1.50
310-037	.029 ^{+0.003} / _{+0.000}	.375	.352 ±.002	.338 ^{+0.002} / _{-0.006}	.025 ±.002	0.93
310-050	.039 ^{+0.003} / _{+0.000}	.500	.468 ±.002	.461 ^{+0.002} / _{-0.005}	.035 ±.002	1.16
310-062	.039 ^{+0.003} / _{+0.000}	.625	.588 ±.003	.579 ^{+0.005} / _{-0.010}	.035 ±.002	1.16
310-068	.046 ^{+0.003} / _{+0.000}	.688	.646 ±.003	.635 ^{+0.005} / _{-0.010}	.042 ±.002	1.16
310-075	.046 ^{+0.003} / _{+0.000}	.750	.704 ±.003	.693 ^{+0.005} / _{-0.010}	.042 ±.002	1.16
310-081	.046 ^{+0.003} / _{+0.000}	.812	.762 ±.003	.751 ^{+0.005} / _{-0.010}	.042 ±.002	1.26
310-087	.046 ^{+0.003} / _{+0.000}	.875	.821 ±.003	.810 ^{+0.005} / _{-0.010}	.042 ±.002	1.26
310-093	.046 ^{+0.003} / _{+0.000}	.938	.882 ±.003	.867 ^{+0.005} / _{-0.010}	.042 ±.002	1.26
310-100	.046 ^{+0.003} / _{+0.000}	1.000	.940 ±.003	.925 ^{+0.005} / _{-0.010}	.042 ±.002	1.31
310-112	.056 ^{+0.004} / _{+0.000}	1.125	1.059 ±.004	1.041 ^{+0.010} / _{-0.015}	.050 ±.002	1.78
310-118	.056 ^{+0.004} / _{+0.000}	1.188	1.118 ±.004	1.098 ^{+0.010} / _{-0.015}	.050 ±.002	1.78
310-125	.056 ^{+0.004} / _{+0.000}	1.250	1.176 ±.004	1.156 ^{+0.010} / _{-0.015}	.050 ±.002	1.50
310-137	.056 ^{+0.004} / _{+0.000}	1.375	1.291 ±.004	1.272 ^{+0.010} / _{-0.015}	.050 ±.002	1.74
310-150	.056 ^{+0.004} / _{+0.000}	1.500	1.406 ±.004	1.387 ^{+0.010} / _{-0.015}	.050 ±.002	1.85
318-150	.056 ^{+0.004} / _{+0.000}	1.500	1.406 ±.004	1.387 ^{+0.010} / _{-0.015}	.050 ±.002	6.40
310-162	.068 ^{+0.004} / _{+0.000}	1.625	1.529 ±.005	1.503 ^{+0.013} / _{-0.020}	.062 ±.003	2.51
310-175HD	.120 ^{+0.005} / _{+0.000}	1.750	1.650 ±.003	1.608 ^{+0.013} / _{-0.020}	.109 ±.003	9.30
310-175	.068 ^{+0.004} / _{+0.000}	1.750	1.650 ±.005	1.618 ^{+0.013} / _{-0.020}	.062 ±.003	3.19
310-200	.068 ^{+0.004} / _{+0.000}	2.000	1.886 ±.005	1.850 ^{+0.013} / _{-0.020}	.062 ±.003	4.84
310-212	.086 ^{+0.005} / _{+0.000}	2.125	2.003 ±.006	1.964 ^{+0.015} / _{-0.025}	.078 ±.003	5.59
310-225	.086 ^{+0.005} / _{+0.000}	2.250	2.120 ±.006	2.081 ^{+0.015} / _{-0.025}	.078 ±.003	5.59
310-237	.086 ^{+0.005} / _{+0.000}	2.375	2.239 ±.006	2.197 ^{+0.015} / _{-0.025}	.078 ±.003	8.67
310-250	.086 ^{+0.005} / _{+0.000}	2.500	2.360 ±.006	2.313 ^{+0.015} / _{-0.025}	.078 ±.003	10.60
310-262	.086 ^{+0.005} / _{+0.000}	2.625	2.481 ±.006	2.428 ^{+0.020} / _{-0.030}	.078 ±.003	10.64
310-275	.103 ^{+0.005} / _{+0.000}	2.750	2.602 ±.006	2.543 ^{+0.020} / _{-0.030}	.093 ±.003	10.58
310-287	.103 ^{+0.005} / _{+0.000}	2.875	2.838 ±.006	2.659 ^{+0.020} / _{-0.030}	.093 ±.003	11.40

EXTERNAL RETAINER RINGS (TRU-ARC TYPE)

Part Number	D GROOVE WIDTH	E SHAFT DIAMETER	H GROOVE DIAMETER	INSIDE DIAMETER	th THICKNESS	List Price
310-300	.103 ^{+0.005} / _{+0.000}	3.000	2.838 ±.006	2.775 ^{+0.020} / _{-.030}	.093 ±.003	10.85
310-325	.103 ^{+0.005} / _{+0.000}	3.250	3.076 ±.006	3.006 ^{+0.020} / _{-.030}	.093 ±.003	21.44
310-350	.120 ^{+0.005} / _{+0.000}	3.500	3.316 ±.006	3.237 ^{+0.020} / _{-.030}	.109 ±.003	20.13
310-400	.120 ^{+0.005} / _{+0.000}	4.000	3.792 ±.006	3.700 ^{+0.020} / _{-.030}	.109 ±.003	39.22
310-425	.120 ^{+0.005} / _{+0.000}	4.250	4.065 ±.006	3.989 ^{+0.020} / _{-.030}	.109 ±.003	34.53
310-437	.120 ^{+0.005} / _{+0.000}	4.375	4.190 ±.006	4.106 ^{+0.020} / _{-.030}	.109 ±.003	44.10
310-450	.120 ^{+0.005} / _{+0.000}	4.500	4.310 ±.006	4.223 ^{+0.020} / _{-.030}	.109 ±.003	44.10
310-500	.120 ^{+0.005} / _{+0.000}	5.000	4.790 ±.006	4.692 ^{+0.020} / _{-.030}	.109 ±.003	39.69
310-575	.139 ^{+0.006} / _{+0.000}	5.750	5.505 ±.007	5.396 ^{+0.020} / _{-.040}	.125 ±.004	113.11

COMBINATION SNAP RING PLIER SET

Part Number: SR PLIER 4PC SET

Net Price: \$23.49

- Effective Range 10-50mm (3/8" - 2.00")
- Combination Internal - External snapping plier set
- Set comes with 180°, 90°, 45°, 3 piece convertible tips.
- Jaws can be exchanged easily for 6 internal - external different purposes



EXTERNAL PLIERS

Part Number: 66R EXT PLIER

Net Price: \$66.33

Part Number: 8R EXT PLIER

Net Price: \$120.90

- *66R EXT Plier is an external plier with a .115° DIA, 0°
- Effective Range 45-89mm (1.81" - 3-1/2")

- *8R EXT Plier is an external plier with a 120° DIA, 0° NO TIPS / 7801R
- Effective Range 90-165mm (3.54" - 6.50")



**Retainer Ring Assortment Kits
Also Available -
See the Kit & Tool Section**

STYLE RSR RETAINER RINGS

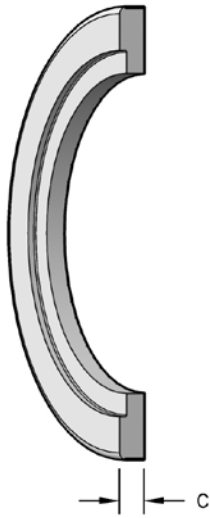


Part Number	INSIDE DIAMETER	OUTSIDE DIAMETER	th THICKNESS	CROSS SECTION	List Price
RSR-031	.280	.350	.035	.035	\$7.16
RSR-052	.519	.625 ±.005	.053 ±.005	.053 ±.005	8.50
RSR-092	.920	1.080 ±.010	.080 ±.001	.080 ±.001	37.60
RSR-105	1.050 ±.005	1.200	.075 ±.005	.075 ±.005	9.91
RSR-150	1.384	1.510 ±.025	.063 ±.001	.063 ±.001	18.70
RSR-138	1.390 ±.005	1.662	.136 ±.002	.136 ±.002	53.14
RSR-152	1.416	1.600 ±.010	.092 ±.005	.092 ±.005	43.59
XSC-154	1.424 ^{+.000} _{-.057}	1.674	.125	.125	6.65
RSR-151	1.462	1.580 ±.010	.059 ±.005	.059 ±.005	32.36
RSR-150A	1.610 ±.025	1.735	.0625	.0625	30.49
RSR-175	1.688	1.812 ±.005	.062 ±.005	.062 ±.005	39.14
RSR-175X090	1.720	1.900 ±.010	.090 ±.005	.090 ±.005	24.82
RSR-2.012X0.118	1.776	2.012	.118	.118	14.78
RSR-202	1.920 ±.010	2.176	.128 ±.005	.128 ±.005	44.19
RSR-201	1.932	2.116 ^{+.020} _{-.005}	.092 ±.001	.092 ±.001	44.19
RSR-204	1.980	2.120	.070	.070	15.79
RSR-203	2.030	2.280 ±.010	.125 ±.005	.125 ±.005	44.19
RSR-218X078	2.032	2.189 ±.005	.078 ±.005	.078 ±.005	27.17
RSR-225B	2.050	2.250 ±.010	.100 ±.005	.100 ±.005	35.99
RSR-206	2.063	2.313 ±.010	.125 ±.005	.125 ±.005	52.72
RSR-200	2.127	2.275 ±.005	.074 ±.005	.074 ±.005	19.17
RSR-225A	2.186	2.370 ±.010	.092 ±.005	.092 ±.005	35.99
RSR-225	2.280	2.530 ±.010	.125 ±.005	.125 ±.005	56.84
RSR-2.618X0.118	2.382	2.618 ±.022	.118 ±.002	.118 ±.002	15.22
RSR-260	2.414	2.600 ±.005	.093 ±.005	.093 ±.005	31.91
RSR-250	2.466	2.760 ±.010	.147 ±.005	.147 ±.005	46.08
RSR-2.72X0.10	2.520	2.720 ±.030	.100 ±.002	.100 ±.002	23.08
RSR-256X125	2.520	2.770 ±.010	.125 ±.005	.125 ±.005	53.67
RSR-2.830X0.118	2.594	2.830	.118	.118	15.22
RSR-275	2.686	2.870 ^{+.020} _{-.005}	.092 ±.001	.092 ±.001	11.64
RSR-300	2.930	3.186	.128	.128	56.84
RSR-301	2.966	3.260 ±.010	.147 ±.005	.147 ±.005	37.51
RSR-3.19X0.10	2.990	3.190 ±.035	.100 ±.002	.100 ±.002	23.46
RSR-3.50X.18X.25	3.140	3.500 ±.010	.250 ±.010	.180 ±.010	75.85
RSR-3.650X0.137	3.641	3.917	.137	.137	17.44
RSR-422	3.920	4.220 ±.010	.150 ±.010	.150 ±.010	45.94
RSR-575X187	5.379 ±.005	5.754	.188 ±.005	.188 ±.005	24.55
RSR-622X187	5.843 ±.050	6.218	.188 ±.005	.188 ±.005	21.22

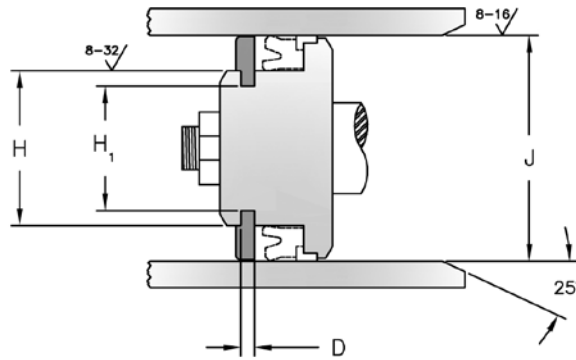
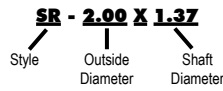
RETAINER RINGS

STYLE SR U-SEAL RETAINER RINGS

These rings are split for ease of installation and are retained in a groove. Their use is primarily to retain single acting piston seals. Commonly used with UFN style piston seals.



HERCULES PART NUMBERS



SEAL INFORMATION	
MATERIAL	ACETAL
TEMPERATURE RANGE	-22° TO +212° F

RETAINER RINGS

Part Number	A Nom. ID	B Nom. OD	C ₁ OVERALL HEIGHT	D ₁ BEARING GROOVE WIDTH	H GROOVE DIAMETER	H ₁ BEARING GROOVE DIAMETER	J BORE DIAMETER	List Price
SR-2.00X1.37	1.211	2	.250 ±.005	.130 ^{+.005} / _{+.000}	1.375	1.211 ^{+.000} / _{-.005}	2.000	\$5.79
SR-2.37X1.75	1.586	2-3/8	.250 ±.005	.130 ^{+.005} / _{+.000}	1.750	1.586 ^{+.000} / _{-.005}	2.375	6.82
SR-2.50X1.87	1.711	2-1/2	.250 ±.005	.130 ^{+.005} / _{+.000}	1.875	1.711 ^{+.000} / _{-.005}	2.500	11.07
SR-2.62X2.00	1.836	2-5/8	.250 ±.005	.130 ^{+.005} / _{+.000}	2.000	1.836 ^{+.000} / _{-.005}	2.625	7.02
SR-3.00X2.25	2.086	3	.250 ±.005	.130 ^{+.005} / _{+.000}	2.250	2.086 ^{+.000} / _{-.005}	3.000	8.91
SR-3.50X2.75	2.586	3-1/2	.250 ±.005	.130 ^{+.005} / _{+.000}	2.750	2.586 ^{+.000} / _{-.005}	3.500	11.50
SR-3.62X3.00	2.836	3-5/8	.250 ±.005	.130 ^{+.005} / _{+.000}	3.000	2.836 ^{+.000} / _{-.005}	3.625	9.14
SR-4.00X3.25	3.086	4	.275 ±.005	.190 ^{+.005} / _{+.000}	3.250	3.086 ^{+.000} / _{-.005}	4.000	10.01
SR-4.12X3.50	3.336	4-1/8	.250 ±.005	.130 ^{+.005} / _{+.000}	3.500	3.336 ^{+.000} / _{-.005}	4.125	11.50

Seal color may vary. Special order sizes are available. Sizes not shown and out of stock items can also be ordered for next day delivery through Seals On Demand, our custom seal program. Please call your regional sales team for assistance.

METRIC / INCH CONVERSION TABLE

CONVERSION TABLE FRACTIONS, DECIMALS AND MILLIMETERS

Inches			Inches			Inches			Inches		
Fractions	Decimals	M M	Fractions	Decimals	M M	Fractions	Decimals	M M	Fractions	Decimals	M M
—	.0004	.01	25/32	.781	19.844	—	2.165	55.0	3-11/16	3.6875	93.663
—	.004	.10	—	.7874	20.0	2-3/16	2.1875	55.563	—	3.7008	94.0
—	.01	.25	51/64	.797	20.241	—	2.2047	56.0	3-23/32	3.719	94.456
1/64	.0156	.397	13/16	.8125	20.638	2-7/32	2.219	56.356	—	3.7401	95.0
—	.0197	.50	—	.8268	21.0	—	2.244	57.0	3-3/4	3.750	95.250
—	.0295	.75	53/64	.828	21.034	2-1/4	2.250	57.150	—	3.7795	96.0
1/32	.03125	.794	27/32	.844	21.431	2-9/32	2.281	57.944	3-25/32	3.781	96.044
—	.0394	1.0	55/64	.859	21.828	—	2.2835	58.0	3-13/16	3.8125	96.838
3/64	.0469	1.191	—	.8661	22.0	2-5/16	2.312	58.738	—	3.8189	97.0
—	.059	1.5	7/8	.875	22.225	—	2.3228	59.0	3-27/32	3.844	97.631
1/16	.062	1.588	57/64	.8906	22.622	2-11/32	2.344	59.531	—	3.8583	98.0
5/64	.0781	1.984	—	.9055	23.0	—	2.3622	60.0	3-7/8	3.875	98.425
—	.0787	2.0	29/32	.9062	23.019	2-3/8	2.375	60.325	—	3.8976	99.0
3/32	.094	2.381	59/64	.922	23.416	—	2.4016	61.0	3-29/32	3.9062	99.219
—	.0984	2.5	15/16	.9375	23.813	2-13/32	2.406	61.119	—	3.9370	100.0
7/64	.109	2.778	—	.9449	24.0	2-7/16	2.438	61.913	3-15/16	3.9375	100.013
—	.1181	3.0	61/64	.953	24.209	—	2.4409	62.0	3-31/32	3.969	100.806
1/8	.125	3.175	31/32	.969	24.606	2-15/32	2.469	62.706	—	3.9764	101.0
—	.1378	3.5	—	.9843	25.0	—	2.4803	63.0	4	4.000	101.600
9/64	.141	3.572	63/64	.9844	25.003	2-1/2	2.500	63.500	4-1/16	4.062	103.188
5/32	.156	3.969	1	1.000	25.400	—	2.5197	64.0	4-1/8	4.125	104.775
—	.1575	4.0	—	1.0236	26.0	2-17/32	2.531	64.294	—	4.1338	105.0
11/64	.172	4.366	1-1/32	1.0312	26.194	—	2.559	65.0	4-3/16	4.1875	106.363
—	.177	4.5	1-1/16	1.062	26.988	2-9/16	2.562	65.088	4-1/4	4.250	107.950
3/16	.1875	4.763	—	1.063	27.0	2-19/32	2.594	65.881	4-5/16	4.312	109.538
—	.1969	5.0	1-3/32	1.094	27.781	—	2.5984	66.0	—	4.3307	110.0
13/64	.203	5.159	—	1.1024	28.0	2-5/8	2.625	66.675	4-3/8	4.375	111.125
—	.2165	5.5	1-1/8	1.125	28.575	—	2.638	67.0	4-7/16	4.438	112.713
7/32	.219	5.556	—	1.1417	29.0	2-21/32	2.656	67.469	4-1/2	4.500	114.300
15/64	.234	5.953	1-5/32	1.156	29.369	—	2.6772	68.0	—	4.5275	115.0
—	.2362	6.0	—	1.1811	30.0	2-11/16	2.6875	68.263	4-9/16	4.562	115.888
1/4	.250	6.350	1-3/16	1.1875	30.163	—	2.7165	69.0	4-5/8	4.625	117.475
—	.2559	6.5	1-7/32	1.219	30.956	2-23/32	2.719	69.056	4-11/16	4.6875	119.063
17/64	.2656	6.747	—	1.2205	31.0	2-3/4	2.750	69.850	—	4.7244	120.0
—	.2756	7.0	1-1/4	1.250	31.750	—	2.7559	70.0	4-3/4	4.750	120.650
9/32	.281	7.144	—	1.2598	32.0	2-25/32	2.781	70.6439	4-13/16	4.8125	122.238
—	.2953	7.5	1-9/32	1.281	32.544	—	2.7953	71.0	4-7/8	4.875	123.825
19/64	.297	7.541	—	1.2992	33.0	2-13/16	2.8125	71.4376	—	4.9212	125.0
5/16	.312	7.938	1-5/16	1.312	33.338	—	2.8346	72.0	4-15/16	4.9375	125.413
—	.315	8.0	—	1.3386	34.0	2-27/32	2.844	72.2314	5	5.000	127.000
21/64	.328	8.334	1-11/32	1.344	34.131	—	2.8740	73.0	—	5.1181	130.0
—	.335	8.5	1-3/8	1.375	34.925	2-7/8	2.875	73.025	5-1/4	5.250	133.350
11/32	.344	8.731	—	1.3779	35.0	2-29/32	2.9062	73.819	5-1/2	5.500	139.700
—	.3543	9.0	1-13/32	1.406	35.719	—	2.9134	74.0	—	5.5118	140.0
23/64	.359	9.128	—	1.4173	36.0	2-15/16	2.9375	74.613	5-3/4	5.750	146.050
—	.374	9.5	1-7/16	1.438	36.513	—	2.9527	75.0	—	5.9055	150.0
3/8	.375	9.525	—	1.4567	37.0	2-31/32	2.969	75.406	6	6.000	152.400
25/64	.391	9.922	1-15/32	1.469	37.306	—	2.9921	76.0	6-1/4	6.250	158.750
—	.3937	10.0	—	1.4961	38.0	3	3.000	76.200	—	6.2992	160.0
13/32	.406	10.319	1-1/2	1.500	38.100	3-1/32	3.0312	76.994	6-1/2	6.500	165.100
—	.413	10.5	1-17/32	1.531	38.894	—	3.0315	77.0	—	6.6929	170.0
27/64	.422	10.716	—	1.5354	39.0	3-1/16	3.062	77.788	6-3/4	6.750	171.450
—	.4331	11.0	1-9/16	1.562	39.688	—	3.0709	78.0	7	7.000	177.800
7/16	.438	11.113	—	1.5748	40.0	3-3/32	3.094	78.581	—	7.0866	180.0
29/64	.453	11.509	1-19/32	1.594	40.481	—	3.1102	79.0	—	7.4803	190.0
15/32	.469	11.906	—	1.6142	41.0	3-1/8	3.125	79.581	7-1/2	7.500	190.500
—	.4724	12.0	1-5/8	1.625	41.275	—	3.1496	80.0	—	7.8740	200.0
31/64	.484	12.303	—	1.6535	42.0	3-5/32	3.156	80.169	8	8.000	203.200
—	.492	12.5	1-21/32	1.6562	42.069	3-3/16	3.1875	80.963	—	8.2677	210.0
1/2	.500	12.700	1-11/16	1.6875	42.863	—	3.1890	81.0	8-1/2	8.500	215.900
—	.5118	13.0	—	1.6929	43.0	3-7/32	3.219	81.756	—	8.6614	220.0
33/64	.5156	13.097	1-23/32	1.719	43.656	—	3.2283	82.0	9	9.000	228.600
17/32	.531	13.494	—	1.7323	44.0	3-1/4	3.250	82.550	—	9.0551	230.0
35/64	.547	13.891	1-3/4	1.750	44.450	—	3.2677	83.0	—	9.4488	240.0
—	.5512	14.0	—	1.7717	45.0	3-9/32	3.281	83.344	9-1/2	9.500	241.300
9/16	.563	14.288	1-25/32	1.781	45.244	—	3.3071	84.0	—	9.8425	250.0
—	.571	14.5	—	1.8110	46.0	3-5/16	3.312	84.1377	10	10.000	254.000
37/64	.578	14.684	1-13/16	1.8125	46.038	3-11/32	3.344	84.9314	—	10.2362	260.0
—	.5906	15.0	1-27/32	1.844	46.831	—	3.3464	85.0	—	10.6299	270.0
19/32	.594	15.081	—	1.8504	47.0	3-3/8	3.375	85.725	11	11.000	279.400
39/64	.609	15.478	1-7/8	1.875	47.625	—	3.3858	86.0	—	11.0236	280.0
5/8	.625	15.875	—	1.8898	48.0	3-13/32	3.406	86.519	—	11.4173	290.0
—	.6299	16.0	1-29/32	1.9062	48.419	—	3.4252	87.0	—	11.8110	300.0
41/64	.6406	16.272	—	1.9291	49.0	3-7/16	3.438	87.313	12	12.000	304.800
—	.6496	16.5	1-15/16	1.9375	49.213	—	3.4648	88.0	13	13.000	330.200
21/32	.658	16.669	—	1.9685	50.0	3-15/32	3.469	88.108	—	13.7795	350.0
—	.6693	17.0	1-31/32	1.969	50.006	3-1/2	3.500	88.900	14	14.000	355.600
43/64	.672	17.066	2	2.000	50.800	—	3.5039	89.0	15	15.000	381.000
11/16	.6875	17.463	—	2.0079	51.0	3-17/32	3.531	89.694	—	15.7480	400.0
45/64	.703	17.859	2-1/32	2.03125	51.594	—	3.5433	90.0	16	16.000	406.400
—	.7087	18.0	—	2.0472	52.0	3-9/16	3.562	90.4877	17	17.000	431.800
23/32	.719	18.256	2-1/6	2.062	52.388	—	3.5827	91.0	—	17.7165	450.0
—	.7283	18.5	—	2.0866	53.0	3-19/32	3.594	91.281	18	18.000	457.200
47/64	.734	18.653	2-3/32	2.094	53.181	—	3.622	92.0	19	19.000	482.600
—	.7480	19.0	2-1/8	2.125	53.975	3-5/8	3.625	92.075	—	19.6850	500.0
3/4	.750	19.050	—	2.126	54.0	3-21/32	3.656	92.869	20	20.000	508.000
49/64	.7656	19.447	2-5/32	2.156	54.769	—	3.6614	93.0	—	—	—

NOTES

NOTES

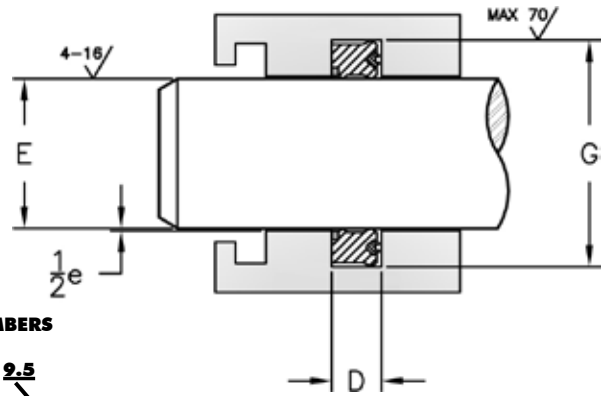
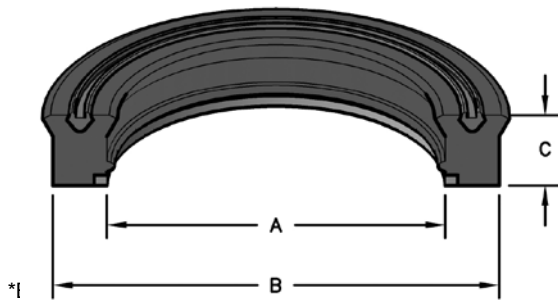
Metric Seals

Contents	Page
Rod U-Seals	504 - 543
Rod U-Seal w/Back-Up Rings	544 - 556
Rod Seals	557 - 563
Piston U-Seals	564 - 574
U-Seals	575 - 603
Cushion Seals	605 - 609
Buffer Seals	610 - 626
Swivel Seals	627
Vee Packing	628 - 629
Unitized Pistons	630 - 631
Piston Seal Assemblies	632 - 679
Piston Rings	680 - 681
Wear Rings	682 - 710
Wiper Rings	711 - 759
Link Pin and Metal Clad Dust Seals	760 - 764
Oil Seals	765 - 769
Shaft Seals	770
O-Ring Size Chart for Metric Seals	771 - 772
O-Rings	773 - 794
Head Seals	795 - 800
Back-Up Rings	801 - 805
Retainer Rings	806 - 810



STYLE MRTUB SUPER-DUTY ROD U-SEALS

Our premium single-acting polyurethane rod seal incorporates an NBR energizer to seal at low pressures. The twin lip design provides stability and friction-reducing lube retention for dry rod sealing, and the included hard acetal backup ring resists extrusion. MRTUB is capable of pressures up to 10,000 psi in approved applications.
E= European Urethane.



HERCULES PART NUMBERS

MRTUB - 35 x 50 x 9.5
 Type of Seal | Rod Diameter | Groove Diameter | Height

SEAL INFORMATION					
MATERIAL	94A URETHANE SEAL RUBBER ENERGIZER POLYACETAL ANTI-EXTRUSION RING				
MAXIMUM OPERATING CONDITIONS					
MAXIMUM SPEED	PRESSURE RANGE		TEMPERATURE RANGE		
3 ft/sec	0 - 6,000 psi		-50° to +230° F		
MAXIMUM EXTRUSION GAP					
PRESSURE	2,400 psi	3,750 psi	6,000 psi	7,500 psi	10,000 psi
MAX. DIAM. GAP	.040"	.032"	.024"	.016"	.010"

ROD U-SEALS

Part Number	A Nom. ID	B Nom. OD	C Nom. Ht	D GROOVE WIDTH	E ROD DIAMETER	G HOUSING DIAMETER	List Price
MRTUB-30X40X7.3	30	40	7.3	8.00 ^{+0.25} / _{+0.00}	30.00 ^{-0.020} / _{-0.072}	40.00 ±0.08	\$65.11
MRTUB-30X40X10	30	40	10	11.00 ^{+0.25} / _{+0.00}	30.00 ^{-0.020} / _{-0.072}	40.00 ±0.08	81.80
MRTUB-35X45X10	35	45	10	11.00 ^{+0.25} / _{+0.00}	35.00 ^{-0.025} / _{-0.087}	45.00 ±0.08	82.88
MRTUB-35X50X9.5	35	50	9.5	10.50 ^{+0.25} / _{+0.00}	35.00 ^{-0.025} / _{-0.087}	50.00 ±0.08	71.20
MRTUB-35X50X9.5-E	35	50	9.5	10.50 ^{+0.20} / _{+0.00}	35.00 ^{-0.025} / _{-0.064}	50.00 ^{+0.16} / _{+0.00}	14.62
MRTUB-36X46X7.3	36	46	7.3	8.00 ^{+0.25} / _{+0.00}	36.00 ^{-0.025} / _{-0.087}	46.00 ±0.08	72.53
MRTUB-40X50X7.3	40	50	7.3	8.00 ^{+0.25} / _{+0.00}	40.00 ^{-0.025} / _{-0.087}	50.00 ±0.08	77.22
MRTUB-40X50X10	40	50	10	11.00 ^{+0.25} / _{+0.00}	40.00 ^{-0.025} / _{-0.087}	50.00 ±0.08	83.99
MRTUB-45X55X7.3	45	55	7.3	8.00 ^{+0.25} / _{+0.00}	45.00 ^{-0.025} / _{-0.087}	55.00 ±0.095	83.67
MRTUB-45X55X10	45	55	10	11.00 ^{+0.25} / _{+0.00}	45.00 ^{-0.025} / _{-0.087}	55.00 ±0.095	85.15

STYLE MRTUB SUPER-DUTY ROD U-SEALS



ROD U-SEALS

Part Number	A Nom. ID	B Nom. OD	C Nom. Ht	D GROOVE WIDTH	E ROD DIAMETER	G HOUSING DIAMETER	List Price
MRTUB-45X60X11.4	45	60	11.4	12.50 ^{+0.25} / _{+0.00}	45.00 ^{-0.025} / _{-0.087}	60.00 ±0.095	85.91
MRTUB-45X60X11.4-E	45	60	11.4	12.40 ^{+0.20} / _{+0.00}	45.00 ^{-0.025} / _{-0.064}	60.00 ^{+0.19} / _{+0.00}	13.81
MRTUB-50X60X7.3	50	60	7.3	8.00 ^{+0.25} / _{+0.00}	50.00 ^{-0.025} / _{-0.087}	60.00 ±0.095	89.90
MRTUB-50X60X10	50	60	10	11.00 ^{+0.25} / _{+0.00}	50.00 ^{-0.025} / _{-0.087}	60.00 ±0.095	86.26
MRTUB-50X65X10	50	65	10	11.00 ^{+0.25} / _{+0.00}	50.00 ^{-0.025} / _{-0.087}	65.00 ±0.095	82.08
MRTUB-50X65X11.4	50	65	11.4	12.50 ^{+0.25} / _{+0.00}	50.00 ^{-0.025} / _{-0.087}	65.00 ±0.095	92.54
MRTUB-55X65X10	55	65	10	11.00 ^{+0.25} / _{+0.00}	55.00 ^{-0.030} / _{-0.104}	65.00 ±0.095	87.39
MRTUB-55X70X9	55	70	9	10.00 ^{+0.25} / _{+0.00}	55.00 ^{-0.030} / _{-0.104}	70.00 ±0.095	78.67
MRTUB-55X70X11.4	55	70	11.4	12.50 ^{+0.25} / _{+0.00}	55.00 ^{-0.030} / _{-0.104}	70.00 ±0.095	82.27
MRTUB-55X70X11.4-361	55	70	11.4	12.50 ^{+0.25} / _{+0.00}	55.00 ^{-0.030} / _{-0.104}	70.00 ±0.095	54.48
MRTUB-56X71X11.4	56	71	11.4	12.50 ^{+0.25} / _{+0.00}	56.00 ^{-0.030} / _{-0.104}	71.00 ±0.095	97.04
MRTUB-56X71X12.5KI	56	71	12.5	12.50 ^{+0.20} / _{+0.00}	56.00 ^{-0.030} / _{-0.076}	71.00 ^{+0.19} / _{+0.00}	48.81
MRTUB-60X73X13	60	73	13	14.00 ^{+0.25} / _{+0.00}	60.00 ^{-0.030} / _{-0.104}	73.00 ±0.095	85.91
MRTUB-60X75X11.4	60	75	11.4	12.50 ^{+0.25} / _{+0.00}	60.00 ^{-0.030} / _{-0.104}	75.00 ±0.095	102.17
MRTUB-63X78X11.4	63	78	11.4	12.50 ^{+0.25} / _{+0.00}	63.00 ^{-0.030} / _{-0.104}	78.00 ±0.095	105.89
MRTUB-63X83X11.8	63	83	11.8	13.00 ^{+0.25} / _{+0.00}	63.00 ^{-0.030} / _{-0.104}	83.00 ±0.11	108.38
MRTUB-65X75X10	65	75	10	11.00 ^{+0.25} / _{+0.00}	65.00 ^{-0.030} / _{-0.104}	75.00 ±0.095	92.27
MRTUB-65X80X10	65	80	10	11.00 ^{+0.25} / _{+0.00}	65.00 ^{-0.030} / _{-0.104}	80.00 ±0.095	96.95
MRTUB-65X80X11.4	65	80	11.4	12.50 ^{+0.25} / _{+0.00}	65.00 ^{-0.030} / _{-0.104}	80.00 ±0.095	102.44
MRTUB-70X83X13	70	83	13	14.00 ^{+0.25} / _{+0.00}	70.00 ^{-0.030} / _{-0.104}	83.00 ±0.11	91.30
MRTUB-70X85X11.4	70	85	11.4	12.50 ^{+0.25} / _{+0.00}	70.00 ^{-0.030} / _{-0.104}	85.00 ±0.11	114.97
MRTUB-75X88X13	75	88	13	14.00 ^{+0.25} / _{+0.00}	75.00 ^{-0.030} / _{-0.104}	88.00 ±0.11	93.98
MRTUB-80X95X11.4	80	95	11.4	12.50 ^{+0.25} / _{+0.00}	80.00 ^{-0.030} / _{-0.104}	95.00 ±0.11	127.10
MRTUB-80X95X13	80	95	13	14.00 ^{+0.25} / _{+0.00}	80.00 ^{-0.030} / _{-0.104}	95.00 ±0.11	137.42
MRTUB-85X100X11.8	85	100	11.8	13.00 ^{+0.25} / _{+0.00}	85.00 ^{-0.036} / _{-0.123}	100.00 ±0.11	113.03
MRTUB-85X100X13	85	100	13	14.00 ^{+0.25} / _{+0.00}	85.00 ^{-0.036} / _{-0.123}	100.00 ±0.11	104.02
MRTUB-90X105X11.4	90	105	11.4	12.50 ^{+0.25} / _{+0.00}	90.00 ^{-0.036} / _{-0.123}	105.00 ±0.11	139.16
MRTUB-90X105X13	90	105	13	14.00 ^{+0.25} / _{+0.00}	90.00 ^{-0.036} / _{-0.123}	105.00 ±0.11	111.96
MRTUB-95X110X13	95	110	13	14.00 ^{+0.25} / _{+0.00}	95.00 ^{-0.036} / _{-0.123}	110.00 ±0.11	114.40
MRTUB-100X115X11	100	115	11	12.00 ^{+0.25} / _{+0.00}	100.00 ^{-0.036} / _{-0.123}	115.00 ±0.11	158.03
MRTUB-100X115X13	100	115	13	14.00 ^{+0.25} / _{+0.00}	100.00 ^{-0.036} / _{-0.123}	115.00 ±0.11	117.40
MRTUB-100X120X14.6	100	120	14.6	16.00 ^{+0.25} / _{+0.00}	100.00 ^{-0.036} / _{-0.123}	120.00 ±0.11	151.97
MRTUB-110X130X13	110	130	13	14.00 ^{+0.25} / _{+0.00}	110.00 ^{-0.036} / _{-0.123}	130.00 ±0.125	124.77

STYLE MRTUB SUPER-DUTY ROD U-SEALS



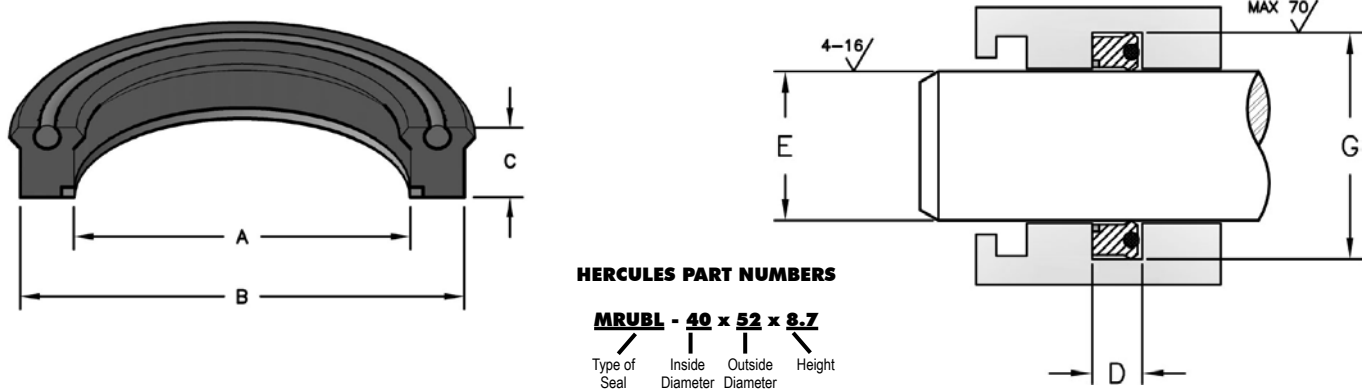
ROD U-SEALS

Part Number	A Nom. ID	B Nom. OD	C Nom. Ht	D GROOVE WIDTH	E ROD DIAMETER	G HOUSING DIAMETER	List Price
MRTUB-110X130X14.6	110	130	14.6	16.00 ^{+0.25} / _{+0.00}	110.00 ^{-0.036} / _{-0.123}	130.00 ±0.125	164.08
MRTUB-115X135X14.6	115	135	14.6	16.00 ^{+0.25} / _{+0.00}	115.00 ^{-0.036} / _{-0.123}	135.00 ±0.125	148.81
MRTUB-120X135X14.6	120	135	14.6	16.00 ^{+0.25} / _{+0.00}	120.00 ^{-0.036} / _{-0.123}	135.00 ±0.125	176.69
MRTUB-120X140X13	120	140	13	14.00 ^{+0.25} / _{+0.00}	120.00 ^{-0.036} / _{-0.123}	140.00 ±0.125	129.48
MRTUB-120X140X14.6	120	140	14.6	16.00 ^{+0.25} / _{+0.00}	120.00 ^{-0.036} / _{-0.123}	140.00 ±0.125	159.30
MRTUB-125X145X14.6	125	145	14.6	16.00 ^{+0.25} / _{+0.00}	125.00 ^{-0.043} / _{-0.143}	145.00 ±0.125	145.94
MRTUB-130X150X14.6	130	150	14.6	16.00 ^{+0.25} / _{+0.00}	130.00 ^{-0.043} / _{-0.143}	150.00 ±0.125	162.64
MRTUB-140X160X13	140	160	13	14.00 ^{+0.25} / _{+0.00}	140.00 ^{-0.043} / _{-0.143}	160.00 ±0.125	144.60
MRTUB-140X160X14.6	140	160	14.6	16.00 ^{+0.25} / _{+0.00}	140.00 ^{-0.043} / _{-0.143}	160.00 ±0.125	199.87
MRTUB-150X170X14.6	150	170	14.6	16.00 ^{+0.25} / _{+0.00}	150.00 ^{-0.043} / _{-0.143}	170.00 ±0.125	202.01
MRTUB-160X180X14.6	160	180	14.6	16.00 ^{+0.25} / _{+0.00}	160.00 ^{-0.043} / _{-0.143}	180.00 ±0.125	213.52
MRTUB-180X200X14.6	180	200	14.6	16.00 ^{+0.25} / _{+0.00}	180.00 ^{-0.043} / _{-0.143}	200.00 ±0.145	240.20

STYLE MRUBL ROD U-SEALS



Designed for longwall mining applications, the MRUBL style consists of a urethane seal, nitrile o-ring energizer, and polyacetal anti-extrusion ring. The energizer ensures sealing under low pressure and cushions the seal against shock loads. The anti-extrusion ring resists extrusion under side load and extreme pressure peaks. Sealing materials are suitable for mineral oils and HFA (High Water Content) fluids.



SEAL INFORMATION					
MATERIAL	94A URETHANE SEAL RUBBER ENERGIZER POLYACETAL ANTI-EXTRUSION RING				
MAXIMUM OPERATING CONDITIONS					
MAXIMUM SPEED	PRESSURE RANGE		TEMPERATURE RANGE		
3 ft/sec	0 - 6,000 psi		-50° to +230° F / +32 to +140° F (HFA)		
MAXIMUM EXTRUSION GAP					
PRESSURE	2,400 psi	3,750 psi	6,000 psi	7,500 psi	10,000 psi
MAX. DIAM. GAP	.040"	.032"	.024"	.016"	.010"

Part Number	A Nom. ID	B Nom. OD	C Nom. Ht	D GROOVE WIDTH	E ROD DIAMETER	G HOUSING DIAMETER	List Price
MRUBL-40X52X8.7	40	52	8.7	9.60 +0.25 +0.00	40.00 -0.025 -0.087	52.00 ±0.095	\$67.63
MRUBL-63X75X8.6	63	75	8.6	9.60 +0.25 +0.00	63.00 -0.030 -0.104	75.00 ±0.095	93.76
MRUBL-70X86X11	70	86	11	12.00 +0.25 +0.00	70.00 -0.030 -0.104	86.00 ±0.11	194.67
MRUBL-100X115X14.5	100	115	14.5	16.00 +0.25 +0.00	100.00 -0.036 -0.123	115.00 ±0.11	172.04
MRUBL-105X120X11.8	105	120	11.8	13.00 +0.25 +0.00	105.00 -0.036 -0.123	120.00 ±0.11	173.08
MRUBL-110X125X14.5	110	125	14.5	16.00 +0.25 +0.00	110.00 -0.036 -0.123	125.00 ±0.125	124.79
MRUBL-110X125X14.7	110	125	14.7	16.25 +0.25 +0.00	110.00 -0.036 -0.123	125.00 ±0.125	234.73
MRUBL-115X130X14.5	115	130	14.5	16.00 +0.25 +0.00	115.00 -0.036 -0.123	130.00 ±0.125	127.87
MRUBL-120X135X12.5	120	135	12.5	14.00 +0.25 +0.00	120.00 -0.036 -0.123	135.00 ±0.125	243.41
MRUBL-150X165X14.5	150	165	14.5	16.00 +0.25 +0.00	150.00 -0.043 -0.143	165.00 ±0.125	195.33



STYLE MRUBL ROD U-SEALS

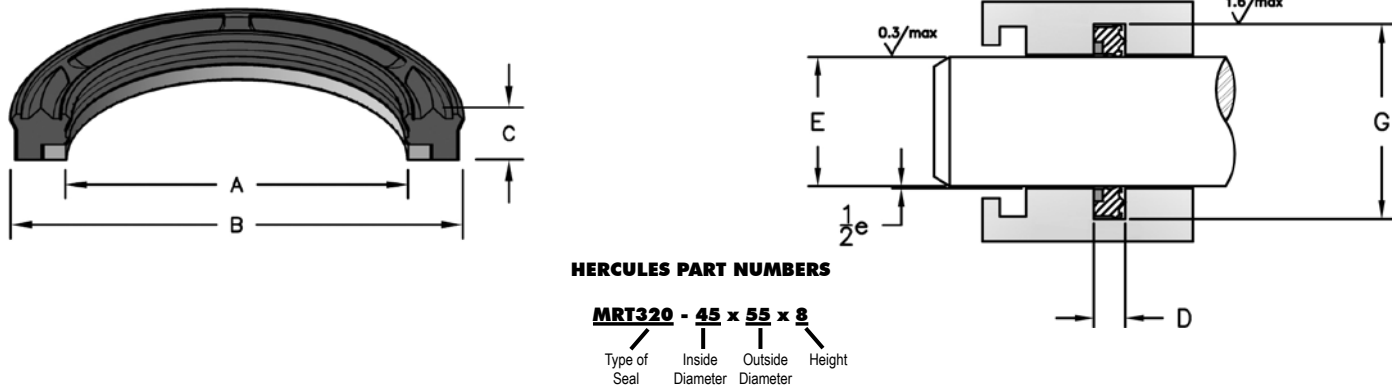
Part Number	A Nom. ID	B Nom. OD	C Nom. Ht	D GROOVE WIDTH	E ROD DIAMETER	G HOUSING DIAMETER	List Price
MRUBL-170X195X20	170	195	20	22.00 ^{+0.25} / _{+0.00}	170.00 ^{-0.043} / _{-0.143}	195.00 ±0.145	452.18
MRUBL-180X195X14.5	180	195	14.5	16.00 ^{+0.25} / _{+0.00}	180.00 ^{-0.043} / _{-0.143}	195.00 ±0.145	203.45
MRUBL-190X210X16.4	190	210	16.4	18.00 ^{+0.25} / _{+0.00}	190.00 ^{-0.050} / _{-0.165}	210.00 ±0.145	301.45
MRUBL-200X220X14.5	200	220	14.5	16.00 ^{+0.25} / _{+0.00}	200.00 ^{-0.050} / _{-0.165}	220.00 ±0.145	235.72
MRUBL-210X230X16.4	210	230	16.4	18.00 ^{+0.25} / _{+0.00}	210.00 ^{-0.050} / _{-0.165}	230.00 ±0.145	448.91
MRUBL-260X280X16.4	260	280	16.4	18.00 ^{+0.25} / _{+0.00}	260.00 ^{-0.056} / _{-0.186}	280.00 ±0.16	342.60
MRUBL-265X285X16.4	265	285	16.4	18.00 ^{+0.25} / _{+0.00}	265.00 ^{-0.056} / _{-0.186}	285.00 ±0.16	404.44
MRUBL-285X310X18	285	310	18	20.00 ^{+0.25} / _{+0.00}	285.00 ^{-0.056} / _{-0.186}	310.00 ±0.16	390.43
MRUBL-380X405X18	380	405	18	20.00 ^{+0.25} / _{+0.00}	380.00 ^{-0.062} / _{-0.202}	405.00 ±0.20	742.16

ROD U-SEALS

STYLE MRT320 ROD U-SEALS



Compact seal with integrated back-up ring, additional support edge and sealing edge.



HERCULES PART NUMBERS

MRT320 - 45 x 55 x 8
 Type of Seal: MRT320
 Inside Diameter: 45
 Outside Diameter: 55
 Height: 8

SEAL INFORMATION					
MATERIAL	94A URETHANE				
MAXIMUM OPERATING CONDITIONS					
MAXIMUM SPEED	PRESSURE RANGE		TEMPERATURE RANGE		
1.65 ft/sec	7,250 psi		-34° to +255° F		
MAXIMUM EXTRUSION GAP					
PRESSURE	3,770 psi	4,640 psi	5,800 psi	7,250 psi	
MAX. DIAM. GAP	.024"	.022"	.018"	.014"	

Part Number	A Nom. ID	B Nom. OD	C Nom. Ht	D GROOVE WIDTH	E ROD DIAMETER	G HOUSING DIAMETER	List Price
MRT320-40X50X8	40	50	8	8.00 +0.20 +0.00	40.00 -0.025 -0.064	50.00 +0.16 +0.00	\$37.78
MRT320-45X55X8	45	55	8	8.00 +0.20 +0.00	45.00 -0.025 -0.064	55.00 +0.19 +0.00	38.17
MRT320-50X65X12.5	50	65	12.5	12.50 +0.20 +0.00	50.00 -0.025 -0.064	65.00 +0.19 +0.00	43.94
MRT320-56X71X12.5	56	71	12.5	12.50 +0.20 +0.00	56.00 -0.030 -0.076	71.00 +0.19 +0.00	48.81
MRT320-63X78X12.5	63	78	12.5	12.50 +0.20 +0.00	63.00 -0.030 -0.076	78.00 +0.19 +0.00	50.29
MRT320-70X85X12.5	70	85	12.5	12.50 +0.20 +0.00	70.00 -0.030 -0.076	85.00 +0.22 +0.00	60.36
MRT320-75X90X13	75	90	13	13.00 +0.20 +0.00	75.00 -0.030 -0.076	90.00 +0.22 +0.00	64.11
MRT320-80X95X12.5	80	95	12.5	12.50 +0.20 +0.00	80.00 -0.030 -0.076	95.00 +0.22 +0.00	69.16
MRT320-85X100X13	85	100	13	13.00 +0.20 +0.00	85.00 -0.036 -0.090	100.00 +0.22 +0.00	75.88
MRT320-95X110X13	95	110	13	13.00 +0.20 +0.00	95.00 -0.036 -0.090	110.00 +0.22 +0.00	89.29

ROD U-SEALS

STYLE MRT320 ROD U-SEALS

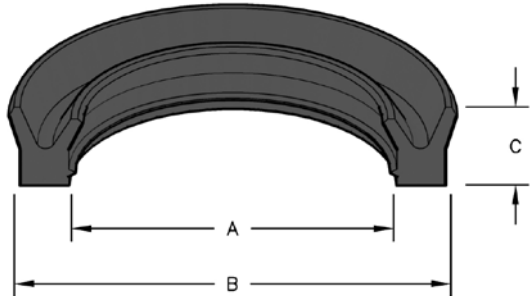
Part Number	A Nom. ID	B Nom. OD	C Nom. Ht	D GROOVE WIDTH	E ROD DIAMETER	G HOUSING DIAMETER	List Price
MRT320-100X120X16	100	120	16	16.00 ^{+0.20} / _{+0.00}	100.00 ^{-0.036} / _{-0.090}	120.00 ^{+0.22} / _{+0.00}	101.45
MRT320-110X130X16	110	130	16	16.00 ^{+0.20} / _{+0.00}	110.00 ^{-0.036} / _{-0.090}	130.00 ^{+0.25} / _{+0.00}	120.74
MRT320-125X145X16	125	145	16	16.00 ^{+0.20} / _{+0.00}	125.00 ^{-0.043} / _{-0.106}	145.00 ^{+0.25} / _{+0.00}	141.27
MRT320-140X160X16	140	160	16	16.00 ^{+0.20} / _{+0.00}	140.00 ^{-0.043} / _{-0.106}	160.00 ^{+0.25} / _{+0.00}	185.53

ROD U-SEALS

STYLE MRTU ROD U-SEALS



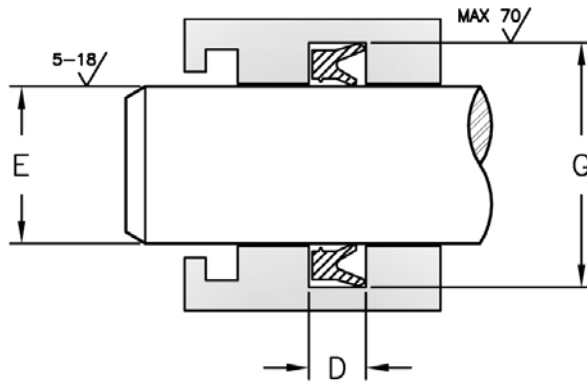
Molded in a tough urethane, this seal employs an additional lip near the heel. The twin lip design provides stability, friction-reducing lube retention, and some contaminant resistance. VME - Secondary lip is further from heel than standard MRTU. **NOTE:** E = European Urethane, HT = High Temp Nitrile. MRTUSL includes a spring energizer.



HERCULES PART NUMBERS

MRTU - 12 × 18 × 5.7
 Type of Seal Inside Diameter Outside Diameter Height

SEAL INFORMATION	
MATERIAL	URETHANE
TEMPERATURE RANGE	-40° TO +225° F E: -22° TO +212° F
PRESSURE RANGE	0 TO 5,000 PSI
SPEED	3 FT/SEC



Part Number	A Nom. ID	B Nom. OD	C Nom. Ht	D GROOVE WIDTH	E ROD DIAMETER	G HOUSING DIAMETER	List Price
MRTU-12X18X5.7	12	18	5.7	6.30 +0.25 +0.00	12.00 -0.016 -0.059	18.00 ±0.055	\$15.66
MRTU-12X20X5.7	12	20	5.7	6.30 +0.25 +0.00	12.00 -0.016 -0.059	20.00 ±0.065	15.82
MRTU-14X22X5.7	14	22	5.7	6.30 +0.25 +0.00	14.00 -0.016 -0.059	22.00 ±0.065	12.57
MRTU-15X22X5.7	15	22	5.7	6.30 +0.25 +0.00	15.00 -0.016 -0.059	22.00 ±0.065	15.79
MRTU-16X22X5	16	22	5	6.00 +0.25 +0.00	16.00 -0.016 -0.059	22.00 ±0.065	17.67
MRTU-16X24X5	16	24	5	5.50 +0.25 +0.00	16.00 -0.016 -0.059	24.00 ±0.065	20.88
MRTU-16X24X5.7	16	24	5.8	6.30 +0.25 +0.00	16.00 -0.016 -0.059	24.00 ±0.065	19.24
MRTU-16X26X7.7	16	26	7.7	9.00 +0.25 +0.00	16.00 -0.016 -0.059	26.00 ±0.065	16.96
MRTU-18X24X4.5	18	24	4.5	5.00 +0.25 +0.00	18.00 -0.016 -0.059	24.00 ±0.065	17.36
MRTU-18X25X5	18	25	5	6.00 +0.25 +0.00	18.00 -0.016 -0.059	25.00 ±0.065	17.79
MRTU-18X26X5	18	26	5	5.70 +0.25 +0.00	18.00 -0.016 -0.059	26.00 ±0.065	13.39
MRTU-18X26X5.7	18	26	5.7	6.30 +0.25 +0.00	18.00 -0.016 -0.059	26.00 ±0.065	13.78
MRTU-18X26X6	18	26	6	7.00 +0.25 +0.00	18.00 -0.016 -0.059	26.00 ±0.065	19.80
MRTU-18X28X7.7	18	28	7.7	9.00 +0.25 +0.00	18.00 -0.016 -0.059	28.00 ±0.065	16.97

ROD U-SEALS



STYLE MRTU ROD U-SEALS

ROD U-SEALS

Part Number	A Nom. ID	B Nom. OD	C Nom. Ht	D GROOVE WIDTH	E ROD DIAMETER	G HOUSING DIAMETER	List Price
MRTU-20X26X5	20	26	5	5.50 ^{+0.25} / _{+0.00}	20.00 ^{-0.020} / _{-0.072}	26.00 ±0.065	14.12
MRTU-20X28X5	20	28	5	5.70 ^{+0.25} / _{+0.00}	20.00 ^{-0.020} / _{-0.072}	28.00 ±0.065	14.18
MRTU-20X28X5.7	20	28	5.7	6.30 ^{+0.25} / _{+0.00}	20.00 ^{-0.020} / _{-0.072}	28.00 ±0.065	16.12
MRTU-20X30X6	20	30	6	7.00 ^{+0.25} / _{+0.00}	20.00 ^{-0.020} / _{-0.072}	30.00 ±0.065	14.18
MRTU-20X30X7.7	20	30	7.7	9.00 ^{+0.25} / _{+0.00}	20.00 ^{-0.020} / _{-0.072}	30.00 ±0.065	16.90
MRTU-20X30X10	20	30	10	11.00 ^{+0.25} / _{+0.00}	20.00 ^{-0.020} / _{-0.072}	30.00 ±0.065	16.19
MRTU-22X30X5.7	22	30	5.7	6.30 ^{+0.25} / _{+0.00}	22.00 ^{-0.020} / _{-0.072}	30.00 ±0.065	15.48
MRTU-22X30X7.3	22	30	7.3	8.00 ^{+0.25} / _{+0.00}	22.00 ^{-0.020} / _{-0.072}	30.00 ±0.065	14.18
MRTU-22X32X7.3	22	32	7.3	8.00 ^{+0.25} / _{+0.00}	22.00 ^{-0.020} / _{-0.072}	32.00 ±0.08	16.12
MRTU-22X32X10	22	32	10	11.00 ^{+0.25} / _{+0.00}	22.00 ^{-0.020} / _{-0.072}	32.00 ±0.08	15.73
MRTU-25X33X4.9	25	33	4.9	5.50 ^{+0.20} / _{+0.00}	25.00 ^{+0.000} / _{-0.052}	33.00 ^{+0.10} / _{+0.00}	15.33
MRTU-25X33X5	25	33	5	5.70 ^{+0.25} / _{+0.00}	25.00 ^{-0.020} / _{-0.072}	33.00 ±0.08	14.13
MRTU-25X33X5.7	25	33	5.7	6.30 ^{+0.25} / _{+0.00}	25.00 ^{-0.020} / _{-0.072}	33.00 ±0.08	15.48
MRTU-25X33X6.8	25	33	6.8	7.50 ^{+0.25} / _{+0.00}	25.00 ^{-0.020} / _{-0.072}	33.00 ±0.08	18.58
MRTU-25X33X8	25	33	8	9.00 ^{+0.25} / _{+0.00}	25.00 ^{-0.02} / _{-0.07}	33.00 ±0.08	11.81
MRTU-25X35X7.3	25	35	7.3	8.00 ^{+0.25} / _{+0.00}	25.00 ^{-0.020} / _{-0.072}	35.00 ±0.08	14.18
MRTU-25X35X7.7	25	35	7.7	9.00 ^{+0.25} / _{+0.00}	25.00 ^{-0.020} / _{-0.072}	35.00 ±0.08	17.02
MRTU-25X35X8	25	35	8	9.00 ^{+0.20} / _{+0.00}	25.00 ^{-0.020} / _{-0.053}	35.00 ^{+0.16} / _{+0.00}	23.89
MRTU-25X35X10	25	35	10	11.00 ^{+0.25} / _{+0.00}	25.00 ^{-0.020} / _{-0.072}	35.00 ±0.08	17.02
MRTU-25X40X10	25	40	10	11.00 ^{+0.25} / _{+0.00}	25.00 ^{-0.020} / _{-0.072}	40.00 ±0.08	17.02
MRTU-28X36X5.7	28	36	5.7	6.30 ^{+0.25} / _{+0.00}	28.00 ^{-0.020} / _{-0.072}	36.00 ±0.08	17.02
MRTU-28X38X7.3	28	38	7.3	8.00 ^{+0.25} / _{+0.00}	28.00 ^{-0.020} / _{-0.072}	38.00 ±0.08	17.02
MRTU-28X43X11.4	28	43	11.4	12.50 ^{+0.25} / _{+0.00}	28.00 ^{-0.020} / _{-0.072}	43.00 ±0.08	17.02
MRTU-30X38X5.7	30	38	5.7	6.30 ^{+0.25} / _{+0.00}	30.00 ^{-0.020} / _{-0.072}	38.00 ±0.08	17.04
MRTU-30X38X6.3	30	38	6.3	7.00 ^{+0.25} / _{+0.00}	30.00 ^{-0.020} / _{-0.072}	38.00 ±0.08	17.02
MRTU-30X40X6	30	40	6	7.00 ^{+0.25} / _{+0.00}	30.00 ^{-0.020} / _{-0.072}	40.00 ±0.08	17.06
MRTU-30X40X6.5-E	30	40	6.5	7.50 ^{+0.20} / _{+0.00}	30.00 ^{-0.020} / _{-0.053}	40.00 ±0.05	17.60
MRTU-30X40X7	30	40	7	7.70 ^{+0.25} / _{+0.00}	30.00 ^{-0.020} / _{-0.072}	40.00 ±0.08	14.42
MRTU-30X40X10	30	40	10	11.00 ^{+0.25} / _{+0.00}	30.00 ^{-0.020} / _{-0.072}	40.00 ±0.08	17.67
MRTU-30X42X10.9	30	42	10.9	12.00 ^{+0.25} / _{+0.00}	30.00 ^{-0.020} / _{-0.072}	42.00 ±0.08	18.07
MRTU-30X45X10	30	45	10	11.00 ^{+0.20} / _{+0.00}	30.00 ^{-0.020} / _{-0.053}	45.00 ^{+0.16} / _{+0.00}	18.47
MRTU-30X50X10	30	50	10	11.00 ^{+0.25} / _{+0.00}	30.00 ^{-0.020} / _{-0.072}	50.00 ±0.08	20.44
MRTU-32X40X6	32	40	6	7.00 ^{+0.25} / _{+0.00}	32.00 ^{-0.025} / _{-0.087}	40.00 ±0.08	14.75

STYLE MRTU ROD U-SEALS



ROD U-SEALS

Part Number	A Nom. ID	B Nom. OD	C Nom. Ht	D GROOVE WIDTH	E ROD DIAMETER	G HOUSING DIAMETER	List Price
MRTU-32X40X6.7	32	40	6.7	7.70 ^{+0.25} / _{+0.00}	32.00 ^{-0.025} / _{-0.087}	40.00 ±0.08	18.27
MRTU-32X40X7.7	32	40	7.7	9.00 ^{+0.25} / _{+0.00}	32.00 ^{-0.025} / _{-0.087}	40.00 ±0.08	17.06
MRTU-32X42X5.7	32	42	5.7	6.30 ^{+0.25} / _{+0.00}	32.00 ^{-0.025} / _{-0.087}	42.00 ±0.08	16.12
MRTU-32X42X6	32	42	6	7.00 ^{+0.25} / _{+0.00}	32.00 ^{-0.025} / _{-0.087}	42.00 ±0.08	17.30
MRTU-32X42X7.3	32	42	7.3	8.00 ^{+0.25} / _{+0.00}	32.00 ^{-0.025} / _{-0.087}	42.00 ±0.08	18.81
MRTU-32X42X10	32	42	10	11.00 ^{+0.25} / _{+0.00}	32.00 ^{-0.025} / _{-0.087}	42.00 ±0.08	18.81
MRTU-32X47X9.1	32	47	9.1	10.00 ^{+0.25} / _{+0.00}	32.00 ^{-0.025} / _{-0.087}	47.00 ±0.08	19.50
MRTU-32X47X10	32	47	10	11.00 ^{+0.25} / _{+0.00}	32.00 ^{-0.025} / _{-0.087}	47.00 ±0.08	19.50
MRTU-32X48X10	32	48	10	11.00 ^{+0.25} / _{+0.00}	32.00 ^{-0.025} / _{-0.087}	48.00 ±0.08	21.45
MRTU-35X43X5.7	35	43	5.7	6.30 ^{+0.25} / _{+0.00}	35.00 ^{-0.025} / _{-0.087}	43.00 ±0.08	17.74
MRTU-35X43X6.3	35	43	6.3	7.00 ^{+0.25} / _{+0.00}	35.00 ^{-0.025} / _{-0.087}	43.00 ±0.08	17.02
MRTU-35X43X8.2	35	43	8.2	9.00 ^{+0.25} / _{+0.00}	35.00 ^{-0.025} / _{-0.087}	43.00 ±0.08	17.02
MRTU-35X45X6	35	45	6	7.00 ^{+0.25} / _{+0.00}	35.00 ^{-0.025} / _{-0.087}	45.00 ±0.08	18.47
MRTU-35X45X6-E	35	45	6	7.00 ^{+0.20} / _{+0.00}	35.00 ^{-0.025} / _{-0.064}	45.00 ±0.05	22.41
MRTU-35X45X7-E	35	45	6	8.00 ^{+0.20} / _{+0.00}	35.00 ^{-0.025} / _{-0.064}	45.00 ±0.05	11.94
MRTU-35X45X7	35	45	7	8.00 ^{+0.25} / _{+0.00}	35.00 ^{-0.025} / _{-0.087}	45.00 ±0.08	17.90
MRTU-35X45X7.7	35	45	7.7	9.00 ^{+0.25} / _{+0.00}	35.00 ^{-0.025} / _{-0.087}	45.00 ±0.08	18.39
MRTU-35X45X8	35	45	8	9.00 ^{+0.20} / _{+0.00}	35.00 ^{-0.025} / _{-0.064}	45.00 ^{+0.16} / _{+0.00}	14.84
MRTU-35X45X10	35	45	10	11.00 ^{+0.25} / _{+0.00}	35.00 ^{-0.025} / _{-0.087}	45.00 ±0.08	17.02
MRTU-35X50X9	35	50	9	10.00 ^{+0.25} / _{+0.00}	35.00 ^{-0.025} / _{-0.087}	50.00 ±0.08	20.70
MRTU-35X50X10	35	50	10	11.00 ^{+0.25} / _{+0.00}	35.00 ^{-0.025} / _{-0.087}	50.00 ±0.08	20.14
MRTU-36X44X6.4	36	44	6.4	7.50 ^{+0.25} / _{+0.00}	36.00 ^{-0.025} / _{-0.087}	44.00 ±0.08	16.12
MRTU-36X44X8	36	44	8.2	9.00 ^{+0.25} / _{+0.00}	36.00 ^{-0.025} / _{-0.087}	44.00 ±0.08	17.26
MRTU-36X46X7	36	46	7.3	8.00 ^{+0.25} / _{+0.00}	36.00 ^{-0.025} / _{-0.087}	46.00 ±0.08	16.87
MRTU-36X46X10	36	46	10	11.00 ^{+0.25} / _{+0.00}	36.00 ^{-0.025} / _{-0.087}	46.00 ±0.08	18.81
MRTU-38X48X8	38	48	8	9.00 ^{+0.25} / _{+0.00}	38.00 ^{-0.025} / _{-0.087}	48.00 ±0.08	9.19
MRTU-38X48X10	38	48	10	11.00 ^{+0.25} / _{+0.00}	38.00 ^{-0.025} / _{-0.087}	48.00 ±0.08	22.69
MRTU-38X50X10	38	50	10	11.00 ^{+0.25} / _{+0.00}	38.00 ^{-0.025} / _{-0.087}	50.00 ±0.08	13.74
MRTU-40X48X5.8-E	40	48	5.8	6.30 ^{+0.20} / _{+0.00}	40.00 ^{-0.025} / _{-0.064}	48.00 ±0.05	23.75
MRTU-40X48X8.2	40	48	8.2	9.00 ^{+0.25} / _{+0.00}	40.00 ^{-0.025} / _{-0.087}	48.00 ±0.08	18.81
MRTU-40X50X6	40	50	6	7.00 ^{+0.25} / _{+0.00}	40.00 ^{-0.025} / _{-0.087}	50.00 ±0.08	18.26
MRTU-40X50X6-HT	40	50	6	7.00 ^{+0.25} / _{+0.00}	40.00 ^{-0.025} / _{-0.087}	50.00 ±0.08	55.88
MRTU-40X50X7	40	50	7.3	8.00 ^{+0.25} / _{+0.00}	40.00 ^{-0.025} / _{-0.087}	50.00 ±0.08	23.38



STYLE MRTU ROD U-SEALS

ROD U-SEALS

Part Number	A Nom. ID	B Nom. OD	C Nom. Ht	D GROOVE WIDTH	E ROD DIAMETER	G HOUSING DIAMETER	List Price
MRTU-40X50X8	40	50	8	9.00 ^{+0.25} / _{+0.00}	40.00 ^{-0.025} / _{-0.064}	50.00 ^{+0.062} / _{+0.000}	33.22
MRTU-40X50X10	40	50	10	11.00 ^{+0.25} / _{+0.00}	40.00 ^{-0.025} / _{-0.087}	50.00 ±0.08	26.54
MRTU-40X52X10.9	40	52	10.9	12.00 ^{+0.25} / _{+0.00}	40.00 ^{-0.025} / _{-0.087}	52.00 ±0.095	18.61
MRTU-40X54X9.6-A	40	54	9.6	10.60 ^{+0.25} / _{+0.00}	40.00 ^{-0.025} / _{-0.087}	54.00 ±0.095	18.55
MRTU-40X55X9	40	55	9	10.00 ^{+0.25} / _{+0.00}	40.00 ^{-0.025} / _{-0.087}	55.00 ±0.095	18.40
MRTU-40X55X10	40	55	10	11.00 ^{+0.25} / _{+0.00}	40.00 ^{-0.025} / _{-0.087}	55.00 ±0.095	22.93
MRTU-42X50X5.7	42	50	5.7	6.30 ^{+0.25} / _{+0.00}	42.00 ^{-0.025} / _{-0.087}	50.00 ±0.08	17.77
MRTU-42X50X7.5	42	50	7.5	8.00 ^{+0.25} / _{+0.00}	42.00 ^{-0.025} / _{-0.087}	50.00 ±0.08	16.70
MRTU-42X52X10	42	52	10	11.00 ^{+0.25} / _{+0.00}	42.00 ^{-0.025} / _{-0.087}	52.00 ±0.095	17.30
MRTU-45X53X8.1	45	53	8.1	9.00 ^{+0.25} / _{+0.00}	45.00 ^{-0.025} / _{-0.087}	53.00 ±0.095	18.81
MRTU-45X53X11.8	45	53	11.8	13.00 ^{+0.25} / _{+0.00}	45.00 ^{-0.025} / _{-0.087}	53.00 ±0.095	18.09
MRTU-45X55X6	45	55	6	7.00 ^{+0.25} / _{+0.00}	45.00 ^{-0.025} / _{-0.087}	55.00 ±0.095	18.88
MRTU-45X55X6-HT	45	55	6	7.00 ^{+0.25} / _{+0.00}	45.00 ^{-0.025} / _{-0.087}	55.00 ±0.095	56.94
MRTU-45X55X7-E	45	55	7	8.00 ^{+0.25} / _{+0.00}	45.00 ^{-0.025} / _{-0.087}	55.00 ±0.095	17.26
MRTU-45X55X7.3	45	55	7.3	8.00 ^{+0.25} / _{+0.00}	45.00 ^{-0.025} / _{-0.087}	55.00 ±0.095	18.81
MRTU-45X55X8	45	55	8	9.00 ^{+0.20} / _{+0.00}	45.00 ^{-0.025} / _{-0.064}	55.00 ^{+0.19} / _{+0.00}	19.79
MRTU-45X55X10	45	55	10	11.00 ^{+0.25} / _{+0.00}	45.00 ^{-0.025} / _{-0.087}	55.00 ±0.095	26.27
MRTU-45X60X10	45	60	10	11.00 ^{+0.25} / _{+0.00}	45.00 ^{-0.025} / _{-0.087}	60.00 ±0.095	20.87
MRTU-45X65X10	45	65	10	11.00 ^{+0.25} / _{+0.00}	45.00 ^{-0.025} / _{-0.087}	65.00 ±0.095	35.63
MRTU-48X56X12-E	48	56	12	13.00 ^{+0.20} / _{+0.00}	48.00 ^{-0.025} / _{-0.064}	56.00 ±0.06	25.06
MRTU-48X60X10	48	60	10	11.00 ^{+0.25} / _{+0.00}	48.00 ^{-0.025} / _{-0.087}	60.00 ±0.095	18.51
MRTU-50X59.58X5.8	50	59.6	5.8	8.85 ^{+0.38} / _{+0.00}	50.00 ^{-0.02} / _{-0.09}	59.58 ^{+0.05} / _{+0.00}	18.80
MRTU-50X60X6	50	60	6	7.00 ^{+0.25} / _{+0.00}	50.00 ^{-0.025} / _{-0.087}	60.00 ±0.095	19.51
MRTU-50X60X6-HT	50	60	6	7.00 ^{+0.25} / _{+0.00}	50.00 ^{-0.025} / _{-0.087}	60.00 ±0.095	61.19
MRTU-50X60X7.3	50	60	7.3	8.00 ^{+0.25} / _{+0.00}	50.00 ^{-0.025} / _{-0.087}	60.00 ±0.095	24.95
MRTU-50X60X10	50	60	10	11.00 ^{+0.25} / _{+0.00}	50.00 ^{-0.025} / _{-0.087}	60.00 ±0.095	27.84
MRTU-50X60X11.8	50	60	11.8	13.00 ^{+0.25} / _{+0.00}	50.00 ^{-0.025} / _{-0.087}	60.00 ±0.095	20.14
MRTU-50X63X10	50	63	10	11.00 ^{+0.25} / _{+0.00}	50.00 ^{-0.025} / _{-0.087}	63.00 ±0.095	21.15
MRTU-50X65X9	50	65	9	10.00 ^{+0.25} / _{+0.00}	50.00 ^{-0.025} / _{-0.087}	65.00 ±0.095	18.88
MRTU-50X65X9.5	50	65	9.5	10.50 ^{+0.25} / _{+0.00}	50.00 ^{-0.025} / _{-0.087}	65.00 ±0.095	25.53
MRTU-50X65X10	50	65	10	11.00 ^{+0.25} / _{+0.00}	50.00 ^{-0.025} / _{-0.087}	65.00 ±0.095	21.35
MRTU-50X65X11	50	65	10.9	12.00 ^{+0.25} / _{+0.00}	50.00 ^{-0.025} / _{-0.087}	65.00 ±0.095	31.22
MRTU-50X65X11.4	50	65	11.4	12.50 ^{+0.25} / _{+0.00}	50.00 ^{-0.03} / _{-0.09}	65.00 ±0.10	21.60

STYLE MRTU ROD U-SEALS



ROD U-SEALS

Part Number	A Nom. ID	B Nom. OD	C Nom. Ht	D GROOVE WIDTH	E ROD DIAMETER	G HOUSING DIAMETER	List Price
MRTU-50X65X14.5	50	65	14.5	16.00 ^{+0.25} / _{+0.00}	50.00 ^{-0.025} / _{-0.087}	65.00 ±0.095	20.32
MRTU-50X70X12	50	70	12	13.00 ^{+0.25} / _{+0.00}	50.00 ^{-0.025} / _{-0.087}	70.00 ±0.095	25.29
MRTU-55X65X6	55	65	6	7.00 ^{+0.25} / _{+0.00}	55.00 ^{-0.030} / _{-0.104}	65.00 ±0.095	20.10
MRTU-55X65X8.2	55	65	8.2	9.00 ^{+0.25} / _{+0.00}	55.00 ^{-0.030} / _{-0.104}	65.00 ±0.095	20.84
MRTU-55X65X10	55	65	10	11.00 ^{+0.25} / _{+0.00}	55.00 ^{-0.030} / _{-0.104}	65.00 ±0.095	20.14
MRTU-55X65X11.8	55	65	11.8	13.00 ^{+0.25} / _{+0.00}	55.00 ^{-0.030} / _{-0.104}	65.00 ±0.095	18.51
MRTU-55X68X10	55	68	10	11.00 ^{+0.25} / _{+0.00}	55.00 ^{-0.030} / _{-0.104}	68.00 ±0.095	21.55
MRTU-55X70X9	55	70	9	10.00 ^{+0.25} / _{+0.00}	55.00 ^{-0.030} / _{-0.104}	70.00 ±0.095	21.55
MRTU-55X70X11.4-HT	55	70	11.4	12.50 ^{+0.25} / _{+0.00}	55.00 ^{-0.030} / _{-0.104}	70.00 ±0.095	21.00
MRTU-55X70X11.8	55	70	11.8	13.00 ^{+0.25} / _{+0.00}	55.00 ^{-0.030} / _{-0.104}	70.00 ±0.095	26.22
MRTU-55X75X12	55	75	12	13.00 ^{+0.25} / _{+0.00}	55.00 ^{-0.030} / _{-0.104}	75.00 ±0.095	28.50
MRTU-56X66X10	56	66	10	11.00 ^{+0.25} / _{+0.00}	56.00 ^{-0.030} / _{-0.104}	66.00 ±0.095	28.93
MRTU-56X71X10	56	71	10	11.00 ^{+0.25} / _{+0.00}	56.00 ^{-0.030} / _{-0.104}	71.00 ±0.095	24.89
MRTU-56X71X11	56	71	11.4	12.50 ^{+0.25} / _{+0.00}	56.00 ^{-0.030} / _{-0.104}	71.00 ±0.095	33.50
MRTU-60X68X11	60	68	11.4	12.50 ^{+0.25} / _{+0.00}	60.00 ^{-0.030} / _{-0.104}	68.00 ±0.095	29.61
MRTU-60X70X6	60	70	6	7.00 ^{+0.25} / _{+0.00}	60.00 ^{-0.030} / _{-0.104}	70.00 ±0.095	30.94
MRTU-60X70X7.3	60	70	7.3	8.00 ^{+0.25} / _{+0.00}	60.00 ^{-0.030} / _{-0.104}	70.00 ±0.095	18.51
MRTU-60X70X10	60	70	10	11.00 ^{+0.25} / _{+0.00}	60.00 ^{-0.030} / _{-0.104}	70.00 ±0.095	32.29
MRTU-60X70X11.8	60	70	11.8	13.00 ^{+0.25} / _{+0.00}	60.00 ^{-0.030} / _{-0.104}	70.00 ±0.095	23.52
MRTU-60X71X7	60	71	7	8.00 ^{+0.25} / _{+0.00}	60.00 ^{-0.030} / _{-0.104}	71.00 ±0.095	24.93
MRTU-60X72X10	60	72	10	11.00 ^{+0.25} / _{+0.00}	60.00 ^{-0.030} / _{-0.104}	72.00 ±0.095	23.52
MRTU-60X73X10	60	73	10	11.00 ^{+0.25} / _{+0.00}	60.00 ^{-0.030} / _{-0.104}	73.00 ±0.095	31.49
MRTU-60X75X9	60	75	9	10.00 ^{+0.25} / _{+0.00}	60.00 ^{-0.030} / _{-0.104}	75.00 ±0.095	21.55
MRTU-60X75X10	60	75	10	11.00 ^{+0.25} / _{+0.00}	60.00 ^{-0.030} / _{-0.104}	75.00 ±0.095	33.92
MRTU-60X75X11.8	60	75	11.8	13.00 ^{+0.25} / _{+0.00}	60.00 ^{-0.030} / _{-0.104}	75.00 ±0.095	36.14
MRTU-60X76X10	60	76	10	11.00 ^{+0.25} / _{+0.00}	60.00 ^{-0.030} / _{-0.104}	76.00 ±0.095	32.51
MRTU-60X80X12	60	80	12	13.00 ^{+0.25} / _{+0.00}	60.00 ^{-0.030} / _{-0.104}	80.00 ±0.095	41.16
MRTU-63X73X6	63	73	6	7.00 ^{+0.25} / _{+0.00}	63.00 ^{-0.030} / _{-0.104}	73.00 ±0.095	33.70
MRTU-63X73X12	63	73	11.8	13.00 ^{+0.25} / _{+0.00}	63.00 ^{-0.030} / _{-0.104}	73.00 ±0.095	32.61
MRTU-63X78X10	63	78	10	11.00 ^{+0.25} / _{+0.00}	63.00 ^{-0.030} / _{-0.104}	78.00 ±0.095	26.22
MRTU-63X78X11.4	63	78	11.4	12.50 ^{+0.25} / _{+0.00}	63.00 ^{-0.030} / _{-0.104}	78.00 ±0.095	37.95
MRTU-63X83X12	63	83	12	13.00 ^{+0.20} / _{+0.00}	63.00 ^{-0.030} / _{-0.076}	83.00 ^{+0.22} / _{+0.00}	39.28
MRTU-65X75X7.7	65	75	7.7	9.00 ^{+0.25} / _{+0.00}	65.00 ^{-0.030} / _{-0.104}	75.00 ±0.095	19.71



STYLE MRTU ROD U-SEALS

ROD U-SEALS

Part Number	A Nom. ID	B Nom. OD	C Nom. Ht	D GROOVE WIDTH	E ROD DIAMETER	G HOUSING DIAMETER	List Price
MRTU-65X75X11.8	65	75	11.8	13.00 ^{+0.25} / _{+0.00}	65.00 ^{-0.030} / _{-0.104}	75.00 ±0.095	22.88
MRTU-65X77.75X8-E	65	77.75	8	10.49 ^{+0.381} / _{+0.000}	65.00 ^{-0.030} / _{-0.104}	77.75 ^{+0.05} / _{+0.00}	29.34
MRTU-65X78X10	65	78	10	11.00 ^{+0.25} / _{+0.00}	65.00 ^{-0.030} / _{-0.104}	78.00 ±0.095	32.39
MRTU-65X80X9	65	80	9	10.00 ^{+0.25} / _{+0.00}	65.00 ^{-0.030} / _{-0.104}	80.00 ±0.095	31.88
MRTU-65X80X11.4-ME	65	80	11.4	13.00 ^{+0.20} / _{+0.00}	65.00 ^{-0.030} / _{-0.076}	80.00 ^{+0.12} / _{+0.00}	31.34
MRTU-65X80X11.8	65	80	11.8	13.00 ^{+0.25} / _{+0.00}	65.00 ^{-0.030} / _{-0.104}	80.00 ±0.095	32.69
MRTU-65X85X12	65	85	12	13.00 ^{+0.25} / _{+0.00}	65.00 ^{-0.030} / _{-0.104}	85.00 ±0.11	36.87
MRTU-68X78X12	68	78	12	13.00 ^{+0.20} / _{+0.00}	68.00 ^{-0.030} / _{-0.076}	78.00 ^{+0.19} / _{+0.00}	95.38
MRTU-70X80X6	70	80	6	7.00 ^{+0.25} / _{+0.00}	70.00 ^{-0.030} / _{-0.104}	80.00 ±0.095	21.96
MRTU-70X80X12	70	80	11.8	13.00 ^{+0.25} / _{+0.00}	70.00 ^{-0.030} / _{-0.104}	80.00 ±0.095	38.44
MRTU-70X83X10	70	83	10	11.00 ^{+0.25} / _{+0.00}	70.00 ^{-0.030} / _{-0.104}	83.00 ±0.11	25.94
MRTU-70X85X9	70	85	9	10.00 ^{+0.25} / _{+0.00}	70.00 ^{-0.030} / _{-0.104}	85.00 ±0.11	23.06
MRTU-70X85X10	70	85	10	11.00 ^{+0.25} / _{+0.00}	70.00 ^{-0.030} / _{-0.104}	85.00 ±0.11	29.18
MRTU-70X85X11.5	70	85	11.4	12.50 ^{+0.25} / _{+0.00}	70.00 ^{-0.030} / _{-0.104}	85.00 ±0.11	29.18
MRTU-70X90X12	70	90	12	13.00 ^{+0.25} / _{+0.00}	70.00 ^{-0.030} / _{-0.104}	90.00 ±0.11	38.12
MRTU-75X85X6	75	85	6	7.00 ^{+0.25} / _{+0.00}	75.00 ^{-0.030} / _{-0.104}	85.00 ±0.11	22.55
MRTU-75X85X6-UBR	75	85	6	7.00 ^{+0.20} / _{+0.00}	75.00 ^{+0.000} / _{-0.074}	85.00 ^{+0.14} / _{+0.00}	30.95
MRTU-75X85X11.8	75	85	11.8	13.00 ^{+0.25} / _{+0.00}	75.00 ^{-0.030} / _{-0.104}	85.00 ±0.11	26.22
MRTU-75X88X10	75	88	10	11.00 ^{+0.25} / _{+0.00}	75.00 ^{-0.030} / _{-0.104}	88.00 ±0.11	28.80
MRTU-75X90X9	75	90	9	10.00 ^{+0.25} / _{+0.00}	75.00 ^{-0.030} / _{-0.104}	90.00 ±0.11	23.89
MRTU-75X90X9-E	75	90	9	10.00 ^{+0.25} / _{+0.00}	75.00 ^{-0.030} / _{-0.104}	90.00 ±0.11	39.95
MRTU-75X90X12-NI300	75	90	12	13.00 ^{+0.20} / _{+0.00}	75.00 ^{-0.030} / _{-0.076}	90.00 ^{+0.22} / _{+0.00}	36.21
MRTU-75X95X12	75	95	12	13.00 ^{+0.25} / _{+0.00}	75.00 ^{-0.030} / _{-0.104}	95.00 ±0.11	41.33
MRTU-80X89.58X5.8	80	89.58	5.8	8.85 ^{+0.38} / _{+0.00}	80.00 ^{-0.03} / _{-0.11}	89.58 ^{+0.05} / _{+0.00}	23.43
MRTU-80X90X6	80	90	6	7.00 ^{+0.25} / _{+0.00}	80.00 ^{-0.030} / _{-0.104}	90.00 ±0.11	23.19
MRTU-80X90X10	80	90	10	11.00 ^{+0.25} / _{+0.00}	80.00 ^{-0.030} / _{-0.104}	90.00 ±0.11	29.72
MRTU-80X90X12	80	90	11.8	13.00 ^{+0.25} / _{+0.00}	80.00 ^{-0.030} / _{-0.104}	90.00 ±0.11	39.86
MRTU-80X92X8.7	80	92	8.7	9.60 ^{+0.25} / _{+0.00}	80.00 ^{-0.030} / _{-0.104}	92.00 ±0.11	31.91
MRTU-80X93X10	80	93	10	11.00 ^{+0.25} / _{+0.00}	80.00 ^{-0.030} / _{-0.104}	93.00 ±0.11	34.09
MRTU-80X95X9	80	95	9	10.00 ^{+0.25} / _{+0.00}	80.00 ^{-0.030} / _{-0.104}	95.00 ±0.11	25.94
MRTU-80X95X10	80	95	10	11.00 ^{+0.25} / _{+0.00}	80.00 ^{-0.030} / _{-0.104}	95.00 ±0.11	32.69
MRTU-80X95X11.4-ME	80	95	11.4	12.50 ^{+0.25} / _{+0.00}	80.00 ^{-0.030} / _{-0.104}	95.00 ±0.11	38.55
MRTU-80X95X12	80	95	11.8	13.00 ^{+0.25} / _{+0.00}	80.00 ^{-0.030} / _{-0.104}	95.00 ±0.11	51.12

STYLE MRTU ROD U-SEALS



Part Number	A Nom. ID	B Nom. OD	C Nom. Ht	D GROOVE WIDTH	E ROD DIAMETER	G HOUSING DIAMETER	List Price
MRTU-80X100X12	80	100	12	13.00 ^{+0.25} / _{+0.00}	80.00 ^{-0.030} / _{-0.104}	100.00 ±0.11	50.36
MRTU-80X100X14.5	80	100	14.5	16.00 ^{+0.25} / _{+0.00}	80.00 ^{-0.030} / _{-0.104}	100.00 ±0.11	49.68
MRTU-85X100X9	85	100	9	10.00 ^{+0.25} / _{+0.00}	85.00 ^{-0.036} / _{-0.123}	100.00 ±0.11	49.45
MRTU-85X100X10	85	100	10	11.00 ^{+0.25} / _{+0.00}	85.00 ^{-0.036} / _{-0.123}	100.00 ±0.11	39.05
MRTU-85X100X11.8	85	100	11.8	13.00 ^{+0.25} / _{+0.00}	85.00 ^{-0.036} / _{-0.123}	100.00 ±0.11	31.49
MRTU-85X105X12	85	105	12	13.00 ^{+0.25} / _{+0.00}	85.00 ^{-0.036} / _{-0.123}	105.00 ±0.11	47.74
MRTU-90X100X6.8	90	100	6.8	7.50 ^{+0.25} / _{+0.00}	90.00 ^{-0.036} / _{-0.123}	100.00 ±0.11	26.97
MRTU-90X100X9	90	100	9	10.00 ^{+0.25} / _{+0.00}	90.00 ^{-0.036} / _{-0.123}	100.00 ±0.11	29.75
MRTU-90X100X11.5-VME	90	100	11.5	12.50 ^{+0.25} / _{+0.00}	90.00 ^{-0.036} / _{-0.071}	100.00 ^{+0.14} / _{+0.00}	35.61
MRTU-90X100X11.8	90	100	11.8	13.00 ^{+0.25} / _{+0.00}	90.00 ^{-0.036} / _{-0.123}	100.00 ±0.11	33.38
MRTU-90X105X9	90	105	9	10.00 ^{+0.25} / _{+0.00}	90.00 ^{-0.036} / _{-0.123}	105.00 ±0.11	37.03
MRTU-90X105X9-UBR	90	105	9	10.00 ^{+0.20} / _{+0.00}	90.00 ^{+0.000} / _{-0.087}	105.00 ^{+0.14} / _{+0.00}	32.35
MRTU-90X105X10	90	105	10	11.00 ^{+0.25} / _{+0.00}	90.00 ^{-0.036} / _{-0.123}	105.00 ±0.11	36.48
MRTU-90X105X11.4	90	105	11.4	12.50 ^{+0.25} / _{+0.00}	90.00 ^{-0.036} / _{-0.123}	105.00 ±0.11	36.23
MRTU-90X105X11.5-E	90	105	11.5	12.50 ^{+0.20} / _{+0.00}	90.00 ^{-0.036} / _{-0.090}	105.00 ±0.07	27.51
MRTU-90X110X12	90	110	12	13.00 ^{+0.25} / _{+0.00}	90.00 ^{-0.036} / _{-0.123}	110.00 ±0.11	36.54
MRTU-95X110X9	95	110	9	10.00 ^{+0.25} / _{+0.00}	95.00 ^{-0.036} / _{-0.123}	110.00 ±0.11	43.43
MRTU-95X110X10	95	110	10	11.00 ^{+0.25} / _{+0.00}	95.00 ^{-0.036} / _{-0.123}	110.00 ±0.11	39.49
MRTU-95X115X12	95	115	12	13.00 ^{+0.25} / _{+0.00}	95.00 ^{-0.036} / _{-0.123}	115.00 ±0.11	40.14
MRTU-100X110X10.9	100	110	10.9	12.00 ^{+0.25} / _{+0.00}	100.00 ^{-0.036} / _{-0.123}	110.00 ±0.11	43.00
MRTU-100X115X9	100	115	9	10.00 ^{+0.25} / _{+0.00}	100.00 ^{-0.036} / _{-0.123}	115.00 ±0.11	45.84
MRTU-100X115X10	100	115	10	11.00 ^{+0.25} / _{+0.00}	100.00 ^{-0.036} / _{-0.123}	115.00 ±0.11	40.25
MRTU-100X115X12	100	115	11.8	13.00 ^{+0.25} / _{+0.00}	100.00 ^{-0.036} / _{-0.123}	115.00 ±0.11	45.84
MRTU-100X120X11.8	100	120	11.8	13.00 ^{+0.25} / _{+0.00}	100.00 ^{-0.036} / _{-0.123}	120.00 ±0.11	61.20
MRTU-100X120X14.5	100	120	14.5	16.00 ^{+0.25} / _{+0.00}	100.00 ^{-0.036} / _{-0.123}	120.00 ±0.11	61.20
MRTU-105X113X10	105	113	10	11.00 ^{+0.25} / _{+0.00}	105.00 ^{-0.036} / _{-0.123}	113.00 ±0.11	37.03
MRTU-105X113X13.5-E	105	113	13.5	14.50 ^{+0.20} / _{+0.00}	105.00 ^{-0.036} / _{-0.090}	113.00 ±0.07	47.51
MRTU-105X115X11.5-VME	105	115	11.5	12.50 ^{+0.25} / _{+0.00}	105.00 ^{-0.036} / _{-0.071}	115.00 ^{+0.14} / _{+0.00}	43.76
MRTU-105X115X13.2	105	115	13.2	14.50 ^{+0.25} / _{+0.00}	105.00 ^{-0.036} / _{-0.123}	115.00 ±0.11	47.10
MRTU-105X120X9	105	120	9	10.00 ^{+0.25} / _{+0.00}	105.00 ^{-0.036} / _{-0.123}	120.00 ±0.11	46.51
MRTU-105X120X10	105	120	10	11.00 ^{+0.25} / _{+0.00}	105.00 ^{-0.036} / _{-0.123}	120.00 ±0.11	42.15
MRTU-105X120X14.5	105	120	14.5	16.00 ^{+0.25} / _{+0.00}	105.00 ^{-0.036} / _{-0.123}	120.00 ±0.11	54.14
MRTU-110X125X9	110	125	9	10.00 ^{+0.25} / _{+0.00}	110.00 ^{-0.036} / _{-0.123}	125.00 ±0.125	48.08

ROD U-SEALS



STYLE MRTU ROD U-SEALS

ROD U-SEALS

Part Number	A Nom. ID	B Nom. OD	C Nom. Ht	D GROOVE WIDTH	E ROD DIAMETER	G HOUSING DIAMETER	List Price
MRTU-110X125X11	110	125	11	12.00 ^{+0.25} / _{+0.00}	110.00 ^{-0.036} / _{-0.123}	125.00 ± 0.125	55.33
MRTU-110X125X14.5	110	125	14.5	16.00 ^{+0.25} / _{+0.00}	110.00 ^{-0.036} / _{-0.123}	125.00 ± 0.125	75.65
MRTU-110X130X11.8	110	130	11.8	13.00 ^{+0.25} / _{+0.00}	110.00 ^{-0.036} / _{-0.123}	130.00 ± 0.125	83.74
MRTU-110X130X12-NIBHT	110	130	12	13.00 ^{+0.20} / _{+0.00}	110.00 ^{-0.036} / _{-0.090}	130.00 ^{+0.25} / _{+0.00}	154.29
MRTU-110X130X14.5	110	130	14.5	16.00 ^{+0.25} / _{+0.00}	110.00 ^{-0.036} / _{-0.123}	130.00 ± 0.125	83.74
MRTU-115X130X9	115	130	9	10.00 ^{+0.25} / _{+0.00}	115.00 ^{-0.036} / _{-0.123}	130.00 ± 0.125	49.64
MRTU-115X130X10.9	115	130	10.9	12.00 ^{+0.25} / _{+0.00}	115.00 ^{-0.036} / _{-0.123}	130.00 ± 0.125	69.53
MRTU-115X130X14.5	115	130	14.5	16.00 ^{+0.25} / _{+0.00}	115.00 ^{-0.036} / _{-0.123}	130.00 ± 0.125	71.10
MRTU-120X130X10.9	120	130	10.9	12.00 ^{+0.25} / _{+0.00}	120.00 ^{-0.036} / _{-0.123}	130.00 ± 0.125	66.24
MRTU-120X130X11.5-VME	120	130	11.5	12.50 ^{+0.25} / _{+0.00}	120.00 ^{-0.036} / _{-0.071}	130.00 ^{+0.16} / _{+0.00}	51.86
MRTU-120X135X9	120	135	9	10.00 ^{+0.25} / _{+0.00}	120.00 ^{-0.036} / _{-0.123}	135.00 ± 0.125	61.37
MRTU-120X135X15	120	135	15	16.00 ^{+0.20} / _{+0.00}	120.00 ^{-0.036} / _{-0.090}	135.00 ^{+0.25} / _{+0.00}	92.08
MRTU-120X140X12	120	140	12	13.00 ^{+0.25} / _{+0.00}	120.00 ^{-0.036} / _{-0.123}	140.00 ± 0.125	70.17
MRTU-120X140X14.5	120	140	14.5	16.00 ^{+0.25} / _{+0.00}	120.00 ^{-0.036} / _{-0.123}	140.00 ± 0.125	81.87
MRTU-125X140X9	125	140	9	10.00 ^{+0.25} / _{+0.00}	125.00 ^{-0.043} / _{-0.143}	140.00 ± 0.125	71.81
MRTU-125X140X10.9	125	140	10.9	12.00 ^{+0.25} / _{+0.00}	125.00 ^{-0.043} / _{-0.143}	140.00 ± 0.125	82.75
MRTU-125X145X12	125	145	12	13.00 ^{+0.25} / _{+0.00}	125.00 ^{-0.043} / _{-0.143}	145.00 ± 0.125	73.40
MRTU-125X145X14.5	125	145	14.5	16.00 ^{+0.25} / _{+0.00}	125.00 ^{-0.043} / _{-0.143}	145.00 ± 0.125	91.23
MRTU-130X140X14.5	130	140	14.5	16.00 ^{+0.25} / _{+0.00}	130.00 ^{-0.043} / _{-0.143}	140.00 ± 0.125	80.14
MRTU-130X145X9	130	145	9	10.00 ^{+0.25} / _{+0.00}	130.00 ^{-0.043} / _{-0.143}	145.00 ± 0.125	70.27
MRTU-130X145X10	130	145	10	11.00 ^{+0.25} / _{+0.00}	130.00 ^{-0.043} / _{-0.106}	145.00 ^{+0.10} / _{+0.00}	48.51
MRTUSL-130X145X10	130	145	10	11.00 ± 0.20	130.00 ^{-0.043} / _{-0.106}	145.00 ^{+0.00} / _{-0.20}	169.56
MRTU-130X150X12	130	150	12	13.00 ^{+0.25} / _{+0.00}	130.00 ^{-0.043} / _{-0.143}	150.00 ± 0.125	76.61
MRTU-130X150X14.5	130	150	14.5	16.00 ^{+0.25} / _{+0.00}	130.00 ^{-0.043} / _{-0.143}	150.00 ± 0.125	95.60
MRTU-140X150X10.9	140	150	10.9	12.00 ^{+0.25} / _{+0.00}	140.00 ^{-0.043} / _{-0.143}	150.00 ± 0.125	97.67
MRTU-140X155X9	140	155	9	10.00 ^{+0.25} / _{+0.00}	140.00 ^{-0.043} / _{-0.143}	155.00 ± 0.125	70.27
MRTU-140X160X11.8	140	160	11.8	13.00 ^{+0.25} / _{+0.00}	140.00 ^{-0.043} / _{-0.143}	160.00 ± 0.125	101.32
MRTU-140X160X12-NIBHT	140	160	12	13.00 ^{+0.20} / _{+0.00}	140.00 ^{-0.043} / _{-0.106}	160.00 ^{+0.25} / _{+0.00}	260.67
MRTU-140X160X14.5	140	160	14.5	16.00 ^{+0.25} / _{+0.00}	140.00 ^{-0.043} / _{-0.143}	160.00 ± 0.125	101.32
MRTU-145X160X9-HI	145	160	9	11.00 ^{+0.20} / _{+0.00}	145.00 ^{-0.043} / _{-0.106}	160.00 ^{+0.25} / _{+0.00}	92.67
MRTU-150X160X11	150	160	11	12.00 ^{+0.25} / _{+0.00}	150.00 ^{-0.043} / _{-0.143}	160.00 ± 0.125	74.84
MRTUSL-150X165X9	150	165	9	10.00 ± 0.20	150.00 ^{-0.043} / _{-0.106}	165.00 ^{+0.00} / _{-0.20}	190.52
MRTU-150X170X12	150	170	12	13.00 ^{+0.25} / _{+0.00}	150.00 ^{-0.043} / _{-0.143}	170.00 ± 0.125	92.95

STYLE MRTU ROD U-SEALS



Part Number	A Nom. ID	B Nom. OD	C Nom. Ht	D GROOVE WIDTH	E ROD DIAMETER	G HOUSING DIAMETER	List Price
MRTU-150X170X13	150	170	13.2	14.50 ^{+0.25} / _{+0.00}	150.00 ^{-0.043} / _{-0.143}	170.00 ±0.125	111.09
MRTU-150X170X14.5	150	170	14.5	16.00 ^{+0.25} / _{+0.00}	150.00 ^{-0.043} / _{-0.143}	170.00 ±0.125	99.56
MRTU-155X170X14.5	155	170	14.5	16.00 ^{+0.25} / _{+0.00}	155.00 ^{-0.043} / _{-0.143}	170.00 ±0.125	88.02
MRTU-160X170X11.5-VME	160	170	11.5	12.50 ^{+0.25} / _{+0.00}	160.00 ^{-0.043} / _{-0.083}	170.00 ^{+0.16} / _{+0.00}	102.22
MRTU-160X175X9	160	175	9	10.00 ^{+0.25} / _{+0.00}	160.00 ^{-0.043} / _{-0.143}	175.00 ±0.125	89.73
MRTU-160X180X12	160	180	12	13.00 ^{+0.25} / _{+0.00}	160.00 ^{-0.043} / _{-0.143}	180.00 ±0.125	100.25
MRTU-160X180X14.5	160	180	14.5	16.00 ^{+0.25} / _{+0.00}	160.00 ^{-0.043} / _{-0.143}	180.00 ±0.125	116.97
MRTU-170X190X14.5	170	190	14.5	16.00 ^{+0.25} / _{+0.00}	170.00 ^{-0.043} / _{-0.143}	190.00 ±0.145	124.27
MRTU-177.7X195X9.5	177.7	195	9.5	10.50 ^{+0.25} / _{+0.00}	177.70 ^{-0.043} / _{-0.143}	195.00 ±0.145	120.19
MRTU-180X200X11.8	180	200	11.8	13.00 ^{+0.25} / _{+0.00}	180.00 ^{-0.043} / _{-0.143}	200.00 ±0.145	134.36
MRTU-180X200X14.5	180	200	14.5	16.00 ^{+0.25} / _{+0.00}	180.00 ^{-0.043} / _{-0.143}	200.00 ±0.145	121.71
MRTU-228.5X246X9	228.5	246	9	10.00 ^{+0.25} / _{+0.00}	228.50 ^{-0.050} / _{-0.096}	246.00 ^{+0.185} / _{+0.000}	420.84

NOTE: MRTUSL includes a spring energizer.

ROD U-SEALS

Hercules Custom Seals App



- Empower your staff
- Utilize this powerful tool from anywhere on the go
- No need for computers in the shop
- View by Inch or Metric
- One time login, no need to remember credentials
- Checkout straight from your phone, with the same options as on your desktop checkout
- Gives you the ability to view price and look up availability immediately
- Synchronized with your desktop and the Hercules Website
- Add a seal on the App and view on your computer immediately
- Fast, easy and lite application
- Using the same login, sales staff can save custom quotes, then the procurement manager can view and submit the orders

Hercules Custom Seal Configurator Apps

iPhones & iPads

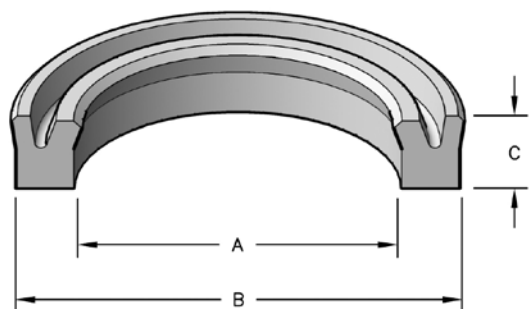


Android Phones &
Tablets

STYLE MRU ROD U-SEALS



Molded in a tough urethane, this rod u-seal fits tightly in the groove while providing increased radial force on the rod.

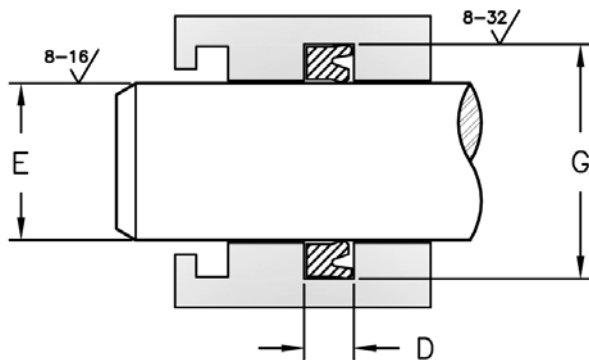


HERCULES PART NUMBERS

MRU - 6 x 14 x 5.7-E
 Type of Seal Inside Diameter Outside Diameter Height

NOTE: E = European Urethane
 ME = Merkel Equivalent
 GT = Green Tweed Equivalent
 A = Alternative Supplier

SEAL INFORMATION	
MATERIAL	URETHANE
TEMPERATURE RANGE	-65° TO +230° F E: -22° TO +212° F
PRESSURE RANGE	0 TO 5,000 PSI
SPEED	3 FT/SEC



Part Number	A Nom. ID	B Nom. OD	C Nom. Ht	D GROOVE WIDTH	E ROD DIAMETER	G HOUSING DIAMETER	List Price
MRU-6X14X5.7-E	6	14	5.7	6.50 +0.30 +0.00	6.00 -0.010 -0.028	14.00 +0.07 +0.00	\$6.99
MRU-10X18X5.7-ME	10	18	5.7	6.30 +0.20 +0.00	10.00 -0.013 -0.035	18.00 +0.11 +0.00	10.01
MRU-12X20X5.7-E	12	20	5.7	6.50 +0.30 +0.00	12.00 -0.016 -0.043	20.00 +0.084 +0.000	7.72
MRU-12X20X5.7-ME	12	20	5.7	6.30 +0.20 +0.00	12.00 -0.016 -0.043	20.00 +0.13 +0.00	10.20
MRU-14X22X5.7-ME	14	22	5.7	6.50 +0.30 +0.00	14.00 -0.016 -0.043	22.00 +0.13 +0.00	11.78
MRU-15X25X10	15	25	10	11.00 +0.30 +0.00	15.00 -0.016 -0.043	25.00 +0.084 +0.000	13.21
MRU-16X24X5.7-ME	16	24	5.7	6.50 +0.30 +0.00	16.00 -0.016 -0.043	24.00 +0.13 +0.00	11.78
MRU-18X24X4.5-E	18	24	4.5	5.00 +0.30 +0.00	18.00 -0.016 -0.043	24.00 +0.084 +0.000	7.47
MRU-18X26X5.7-E	18	26	5.7	6.50 +0.30 +0.00	18.00 -0.016 -0.043	26.00 +0.084 +0.000	8.86
MRU-18X26X5.7-ME	18	26	5.7	6.30 +0.20 +0.00	18.00 -0.016 -0.043	26.00 +0.13 +0.00	10.77
MRU-18X28X7.3-ME	18	28	7.3	8.00 +0.20 +0.00	18.00 -0.016 -0.043	28.00 +0.13 +0.00	10.77
MRU-18X28X8-E	18	28	8	9.00 +0.30 +0.00	18.00 -0.016 -0.043	28.00 +0.084 +0.000	9.31
MRU-20X28X5.7	20	28	5.7	6.50 +0.30 +0.00	20.00 -0.020 -0.053	28.00 +0.084 +0.000	20.11
MRU-20X28X5.7-ME	20	28	5.7	6.30 +0.20 +0.00	20.00 -0.020 -0.053	28.00 +0.13 +0.00	9.81
MRU-20X30X7.3-ME	20	30	7.3	8.00 +0.20 +0.00	20.00 -0.020 -0.053	30.00 +0.13 +0.00	10.77
MRU-20X30X8	20	30	8	9.00 +0.30 +0.00	20.00 -0.020 -0.053	30.00 +0.084 +0.000	14.11

FORMERLY LISTED REPAIR PARTS ARE AVAILABLE ONLINE AT WWW.HERCULESUS.COM
 OR BY CONTACTING YOUR REGIONAL HERCULES SALES TEAM.



STYLE MRU ROD U-SEALS

ROD U-SEALS

Part Number	A Nom. ID	B Nom. OD	C Nom. Ht	D GROOVE WIDTH	E ROD DIAMETER	G HOUSING DIAMETER	List Price
MRU-20X35X10-E	20	35	10	11.00 +0.30 +0.00	20.00 -0.020 -0.053	35.00 +0.10 +0.00	9.31
MRU-22X30X5.7-E	22	30	5.7	6.50 +0.30 +0.00	22.00 -0.020 -0.053	30.00 +0.084 +0.000	9.31
MRU-22X30X5.7-ME	22	30	5.7	6.30 +0.20 +0.00	22.00 -0.020 -0.053	30.00 +0.13 +0.00	9.81
MRU-22X32X7.3-ME	22	32	7.3	8.00 +0.20 +0.00	22.00 -0.020 -0.053	32.00 +0.16 +0.00	12.07
MRU-25X31X5-B3	25	31	5	5.60 +0.25 +0.00	25.00 -0.020 -0.041	31.00 +0.062 +0.000	19.48
MRU-25X33X5	25	33	5	5.70 +0.30 +0.00	25.00 -0.020 -0.053	33.00 +0.10 +0.00	11.05
MRU-25X33X5.7	25	33	5.7	6.50 +0.30 +0.00	25.00 -0.020 -0.053	33.00 +0.10 +0.00	16.27
MRU-25X33X5.7-ME	25	33	5.7	6.30 +0.20 +0.00	25.00 -0.020 -0.053	33.00 +0.16 +0.00	11.01
MRU-25X33X6.3-E	25	33	6.3	7.00 +0.30 +0.00	25.00 -0.020 -0.053	33.00 +0.10 +0.00	9.31
MRU-25X33X10-E	25	33	10	11.00 +0.30 +0.00	25.00 -0.020 -0.053	33.00 +0.10 +0.00	9.31
MRU-25X35X5	25	35	5	5.70 +0.30 +0.00	25.00 -0.020 -0.053	35.00 +0.10 +0.00	17.03
MRU-25X35X6	25	35	6	6.50 +0.30 +0.00	25.00 -0.020 -0.053	35.00 +0.10 +0.00	15.95
MRU-25X35X7.2-E	25	35	7.2	8.00 +0.30 +0.00	25.00 -0.020 -0.053	35.00 +0.10 +0.00	10.01
MRU-25X35X7.3-ME	25	35	7.3	8.00 +0.20 +0.00	25.00 -0.020 -0.053	35.00 +0.16 +0.00	12.07
MRU-25X35X8	25	35	8	9.00 +0.30 +0.00	25.00 -0.020 -0.053	35.00 +0.10 +0.00	14.11
MRU-25X35X10-E	25	35	10	11.00 +0.30 +0.00	25.00 -0.020 -0.053	35.00 +0.10 +0.00	10.01
MRU-25X40X10-E	25	40	10	11.00 +0.30 +0.00	25.00 -0.020 -0.053	40.00 +0.10 +0.00	10.95
MRU-28X36X5.7-ME	28	36	5.7	6.30 +0.20 +0.00	28.00 -0.020 -0.053	36.00 +0.16 +0.00	11.50
MRU-28X38X7.3	28	38	7.3	8.00 +0.30 +0.00	28.00 -0.020 -0.053	38.00 +0.10 +0.00	15.46
MRU-28X38X7.3-ME	28	38	7.3	8.00 +0.20 +0.00	28.00 -0.020 -0.053	38.00 +0.16 +0.00	12.64
MRU-30X38X5.7-E	30	38	5.7	6.50 +0.30 +0.00	30.00 -0.020 -0.053	38.00 +0.10 +0.00	10.24
MRU-30X38X5.7-ME	30	38	5.7	6.30 +0.20 +0.00	30.00 -0.020 -0.053	38.00 +0.16 +0.00	11.50
MRU-30X38X8-E	30	38	8	9.00 +0.30 +0.00	30.00 -0.020 -0.053	38.00 +0.10 +0.00	10.24
MRU-30X38X8.2-ME	30	38	8.2	9.00 +0.20 +0.00	30.00 -0.020 -0.053	38.00 +0.16 +0.00	12.64
MRU-30X40X6	30	40	6	6.50 +0.30 +0.00	30.00 -0.020 -0.053	40.00 +0.10 +0.00	15.87
MRU-30X40X7	30	40	7	8.00 +0.30 +0.00	30.00 -0.020 -0.053	40.00 +0.10 +0.00	14.72
MRU-30X40X7.3	30	40	7.3	8.00 +0.30 +0.00	30.00 -0.020 -0.053	40.00 +0.10 +0.00	14.01
MRU-30X40X8	30	40	8	9.00 +0.30 +0.00	30.00 -0.020 -0.053	40.00 +0.10 +0.00	17.02
MRU-30X40X10-E	30	40	10	11.00 +0.30 +0.00	30.00 -0.020 -0.053	40.00 +0.10 +0.00	13.28
MRU-30X40X10-ME	30	40	10	11.00 +0.20 +0.00	30.00 -0.020 -0.053	40.00 +0.16 +0.00	11.50
MRU-30X43X9-E	30	43	9	10.00 +0.30 +0.00	30.00 -0.020 -0.053	43.00 +0.10 +0.00	11.67
MRU-30X43X10	30	43	10	11.00 +0.30 +0.00	30.00 -0.020 -0.053	43.00 +0.10 +0.00	14.72
MRU-30X43X10-HT	30	43	10	11.00 +0.30 +0.00	30.00 -0.020 -0.053	43.00 +0.10 +0.00	49.42

STYLE MRU ROD U-SEALS



ROD U-SEALS

Part Number	A Nom. ID	B Nom. OD	C Nom. Ht	D GROOVE WIDTH	E ROD DIAMETER	G HOUSING DIAMETER	List Price
MRU-30X45X10-ME	30	45	10	11.00 ^{+0.20} / _{+0.00}	30.00 ^{-0.020} / _{-0.053}	45.00 ^{+0.16} / _{+0.00}	12.46
MRU-30X46X9	30	46	9	10.00 ^{+0.30} / _{+0.00}	30.00 ^{-0.020} / _{-0.053}	46.00 ^{+0.10} / _{+0.00}	20.04
MRU-32X40X5.7-ME	32	40	5.7	6.30 ^{+0.20} / _{+0.00}	32.00 ^{-0.025} / _{-0.064}	40.00 ^{+0.16} / _{+0.00}	11.50
MRU-32X40X8-E	32	40	8	9.00 ^{+0.30} / _{+0.00}	32.00 ^{-0.025} / _{-0.064}	40.00 ^{+0.10} / _{+0.00}	11.21
MRU-32X42X6	32	42	6	6.50 ^{+0.30} / _{+0.00}	32.00 ^{-0.025} / _{-0.064}	42.00 ^{+0.10} / _{+0.00}	23.75
MRU-32X42X7.2-E	32	42	7.2	8.00 ^{+0.30} / _{+0.00}	32.00 ^{-0.025} / _{-0.064}	42.00 ^{+0.10} / _{+0.00}	11.21
MRU-32X42X7.3-ME	32	42	7.3	8.00 ^{+0.20} / _{+0.00}	32.00 ^{-0.02} / _{-0.06}	42.00 ^{+0.06} / _{+0.00}	17.17
MRU-32X45X9.5-E	32	45	9.5	10.50 ^{+0.30} / _{+0.00}	32.00 ^{-0.025} / _{-0.064}	45.00 ^{+0.10} / _{+0.00}	13.28
MRU-32X47X10-E	32	47	10	11.00 ^{+0.30} / _{+0.00}	32.00 ^{-0.025} / _{-0.064}	47.00 ^{+0.10} / _{+0.00}	12.85
MRU-32X47X10-ME	32	47	10	11.00 ^{+0.20} / _{+0.00}	32.00 ^{-0.025} / _{-0.064}	47.00 ^{+0.16} / _{+0.00}	13.75
MRU-33X43X10-E	33	43	10	11.00 ^{+0.30} / _{+0.00}	33.00 ^{-0.025} / _{-0.064}	43.00 ^{+0.10} / _{+0.00}	13.51
MRU-35X43X5.7-E	35	43	5.7	6.50 ^{+0.30} / _{+0.00}	35.00 ^{-0.025} / _{-0.064}	43.00 ^{+0.10} / _{+0.00}	13.51
MRU-35X43X5.7-ME	35	43	5.7	6.30 ^{+0.20} / _{+0.00}	35.00 ^{-0.025} / _{-0.064}	43.00 ^{+0.16} / _{+0.00}	13.11
MRU-35X43X8-E	35	43	8	9.00 ^{+0.30} / _{+0.00}	35.00 ^{-0.025} / _{-0.064}	43.00 ^{+0.10} / _{+0.00}	13.51
MRU-35X45X6	35	45	6	6.50 ^{+0.30} / _{+0.00}	35.00 ^{-0.025} / _{-0.064}	45.00 ^{+0.10} / _{+0.00}	18.70
MRU-35X45X6-A	35	45	6	6.50 ^{+0.30} / _{+0.00}	35.00 ^{-0.025} / _{-0.064}	45.00 ^{+0.10} / _{+0.00}	3.64
MRU-35X45X6.3	35	45	6.3	7.00 ^{+0.30} / _{+0.00}	35.00 ^{-0.025} / _{-0.064}	45.00 ^{+0.10} / _{+0.00}	17.47
MRU-35X45X7	35	45	7	8.00 ^{+0.30} / _{+0.00}	35.00 ^{-0.025} / _{-0.064}	45.00 ^{+0.10} / _{+0.00}	12.22
MRU-35X45X7.3	35	45	7.3	8.00 ^{+0.30} / _{+0.00}	35.00 ^{-0.025} / _{-0.064}	45.00 ^{+0.10} / _{+0.00}	27.04
MRU-35X45X8	35	45	8	9.00 ^{+0.30} / _{+0.00}	35.00 ^{-0.025} / _{-0.064}	45.00 ^{+0.10} / _{+0.00}	13.04
MRU-35X45X10-BHT	35	45	10	11.00 ^{+0.30} / _{+0.00}	35.00 ^{-0.025} / _{-0.064}	45.00 ^{+0.10} / _{+0.00}	23.55
MRU-35X45X10-ME	35	45	10	11.00 ^{+0.20} / _{+0.00}	35.00 ^{-0.025} / _{-0.064}	45.00 ^{+0.16} / _{+0.00}	15.09
MRU-35X51X9	35	51	9	10.00 ^{+0.30} / _{+0.00}	35.00 ^{-0.025} / _{-0.064}	51.00 ^{+0.12} / _{+0.00}	19.28
MRU-36X44X5.7-ME	36	44	5.7	6.50 ^{+0.30} / _{+0.00}	36.00 ^{-0.025} / _{-0.064}	44.00 ^{+0.10} / _{+0.00}	15.25
MRU-36X44X8.2-ME	36	44	8.2	9.00 ^{+0.20} / _{+0.00}	36.00 ^{-0.025} / _{-0.064}	44.00 ^{+0.16} / _{+0.00}	11.92
MRU-36X46X7-E	36	46	7	8.00 ^{+0.30} / _{+0.00}	36.00 ^{-0.025} / _{-0.064}	46.00 ^{+0.10} / _{+0.00}	12.85
MRU-36X46X7.3-ME	36	46	7.3	8.00 ^{+0.20} / _{+0.00}	36.00 ^{-0.025} / _{-0.064}	46.00 ^{+0.16} / _{+0.00}	13.75
MRU-36X51X10-E	36	51	10	11.00 ^{+0.30} / _{+0.00}	36.00 ^{-0.025} / _{-0.064}	51.00 ^{+0.12} / _{+0.00}	14.26
MRU-40X48X5	40	48	5	5.70 ^{+0.30} / _{+0.00}	40.00 ^{-0.025} / _{-0.064}	48.00 ^{+0.10} / _{+0.00}	27.93
MRU-40X48X5.7-E	40	48	5.7	6.50 ^{+0.30} / _{+0.00}	40.00 ^{-0.025} / _{-0.064}	48.00 ^{+0.10} / _{+0.00}	14.26
MRU-40X48X5.7-ME	40	48	5.7	6.30 ^{+0.20} / _{+0.00}	40.00 ^{-0.025} / _{-0.064}	48.00 ^{+0.16} / _{+0.00}	12.52
MRU-40X48X5.8-E	40	48	5.8	6.80 ^{+0.20} / _{+0.00}	40.00 ^{-0.025} / _{-0.064}	48.00 ^{+0.16} / _{+0.00}	5.45
MRU-40X48X8.2-ME	40	48	8.2	9.00 ^{+0.20} / _{+0.00}	40.00 ^{-0.025} / _{-0.064}	48.00 ^{+0.16} / _{+0.00}	13.75



STYLE MRU ROD U-SEALS

ROD U-SEALS

Part Number	A Nom. ID	B Nom. OD	C Nom. Ht	D GROOVE WIDTH	E ROD DIAMETER	G HOUSING DIAMETER	List Price
MRU-40X50X6	40	50	6	6.50 +0.30 +0.00	40.00 -0.025 -0.064	50.00 +0.10 +0.00	19.14
MRU-40X50X7.3	40	50	7.3	8.00 +0.30 +0.00	40.00 -0.025 -0.064	50.00 +0.10 +0.00	20.24
MRU-40X50X7.3-ME	40	50	7.3	8.00 +0.20 +0.00	40.00 -0.025 -0.064	50.00 +0.16 +0.00	12.52
MRU-40X50X8-HT	40	50	8	9.00 +0.30 +0.00	40.00 -0.025 -0.064	50.00 +0.10 +0.00	24.96
MRU-40X50X8.2-ME	40	50	8.2	9.00 +0.20 +0.00	40.00 -0.025 -0.064	50.00 +0.16 +0.00	39.27
MRU-40X50X9-E	40	50	9	10.00 +0.20 +0.00	40.00 +0.000 -0.062	50.00 +0.10 +0.00	8.83
MRU-40X50X10-ME	40	50	10	11.00 +0.20 +0.00	40.00 -0.025 -0.064	50.00 +0.16 +0.00	12.52
MRU-40X52X8-E	40	52	8	9.00 +0.30 +0.00	40.00 -0.025 -0.064	52.00 +0.12 +0.00	14.76
MRU-40X55X9	40	55	9	10.00 +0.30 +0.00	40.00 -0.025 -0.064	55.00 +0.12 +0.00	21.34
MRU-40X55X10	40	55	10	11.00 +0.30 +0.00	40.00 -0.025 -0.064	55.00 +0.12 +0.00	56.64
MRU-40X55X10-ME	40	55	10	11.00 +0.20 +0.00	40.00 -0.025 -0.064	55.00 +0.19 +0.00	15.96
MRU-40X56X12	40	56	12	13.00 +0.30 +0.00	40.00 -0.025 -0.064	56.00 +0.12 +0.00	21.68
MRU-40X56X12-HT	40	56	12	13.00 +0.30 +0.00	40.00 -0.025 -0.064	56.00 +0.12 +0.00	62.16
MRU-40X60X12	40	60	12	13.00 +0.30 +0.00	40.00 -0.025 -0.064	60.00 +0.12 +0.00	25.57
MRU-42X50X5.7-ME	42	50	5.7	6.50 +0.30 +0.00	42.00 -0.025 -0.064	50.00 +0.10 +0.00	15.97
MRU-42X50X6	42	50	6	6.50 +0.30 +0.00	42.00 -0.025 -0.064	50.00 +0.10 +0.00	30.89
MRU-42X52X7.3	42	52	7.3	8.00 +0.30 +0.00	42.00 -0.025 -0.064	52.00 +0.12 +0.00	33.48
MRU-42X52X7.5	42	52	7.5	8.50 +0.30 +0.00	42.00 -0.025 -0.064	52.00 +0.12 +0.00	34.39
MRU-45X53X5.8-E	45	53	5.8	6.50 +0.30 +0.00	45.00 -0.025 -0.064	53.00 +0.12 +0.00	18.16
MRU-45X53X8.2-ME	45	53	8.2	9.00 +0.20 +0.00	45.00 -0.025 -0.064	53.00 +0.19 +0.00	15.96
MRU-45X55X6	45	55	6	6.50 +0.30 +0.00	45.00 -0.025 -0.064	55.00 +0.12 +0.00	22.56
MRU-45X55X6-A	45	55	6	6.50 +0.30 +0.00	45.00 -0.025 -0.064	55.00 +0.12 +0.00	4.21
MRU-45X55X7.3	45	55	7.3	8.00 +0.30 +0.00	45.00 -0.025 -0.064	55.00 +0.12 +0.00	21.25
MRU-45X55X7.3-ME	45	55	7.3	8.00 +0.20 +0.00	45.00 -0.025 -0.064	55.00 +0.19 +0.00	14.56
MRU-45X55X7.4	45	55	7.4	8.40 +0.30 +0.00	45.00 -0.025 -0.064	55.00 +0.12 +0.00	21.54
MRU-45X55X8	45	55	8	9.00 +0.30 +0.00	45.00 -0.025 -0.064	55.00 +0.12 +0.00	30.37
MRU-45X55X10-ME	45	55	10	11.00 +0.20 +0.00	45.00 -0.025 -0.064	55.00 +0.19 +0.00	15.96
MRU-45X58X9-E	45	58	9	10.00 +0.30 +0.00	45.00 -0.025 -0.064	58.00 +0.12 +0.00	15.19
MRU-45X60X9	45	60	9	10.00 +0.30 +0.00	45.00 -0.025 -0.064	60.00 +0.12 +0.00	26.91
MRU-45X60X10-E	45	60	10	11.00 +0.30 +0.00	45.00 -0.025 -0.064	60.00 +0.12 +0.00	15.19
MRU-45X60X10-ME	45	60	10	11.00 +0.20 +0.00	45.00 -0.025 -0.064	60.00 +0.19 +0.00	17.44
MRU-45X60X11.5-E	45	60	11.5	12.50 +0.30 +0.00	45.00 -0.025 -0.064	60.00 +0.12 +0.00	17.03
MRU-45X61X12-HT	45	61	12	13.00 +0.30 +0.00	45.00 -0.025 -0.064	61.00 +0.12 +0.00	64.90

STYLE MRU ROD U-SEALS



Part Number	A Nom. ID	B Nom. OD	C Nom. Ht	D GROOVE WIDTH	E ROD DIAMETER	G HOUSING DIAMETER	List Price
MRU-45X65X12	45	65	12	13.00 ^{+0.30} / _{+0.00}	45.00 ^{-0.025} / _{-0.064}	65.00 ^{+0.12} / _{+0.00}	19.54
MRU-50X58X8.2-ME	50	58	8.2	9.00 ^{+0.30} / _{+0.00}	50.00 ^{-0.025} / _{-0.064}	58.00 ^{+0.12} / _{+0.00}	20.34
MRU-50X60X7.3	50	60	7.3	8.00 ^{+0.30} / _{+0.00}	50.00 ^{-0.025} / _{-0.064}	60.00 ^{+0.12} / _{+0.00}	20.88
MRU-50X60X7.3-ME	50	60	7.3	8.00 ^{+0.20} / _{+0.00}	50.00 ^{-0.025} / _{-0.064}	60.00 ^{+0.19} / _{+0.00}	15.90
MRU-50X60X10-E	50	60	10	11.00 ^{+0.30} / _{+0.00}	50.00 ^{-0.025} / _{-0.064}	60.00 ^{+0.12} / _{+0.00}	17.03
MRU-50X60X10-ME	50	60	10	11.00 ^{+0.20} / _{+0.00}	50.00 ^{-0.025} / _{-0.064}	60.00 ^{+0.19} / _{+0.00}	17.44
MRU-50X60X12-E	50	60	12	13.00 ^{+0.30} / _{+0.00}	50.00 ^{-0.025} / _{-0.064}	60.00 ^{+0.12} / _{+0.00}	17.03
MRU-50X63X8	50	63	8	9.00 ^{+0.30} / _{+0.00}	50.00 ^{-0.025} / _{-0.064}	63.00 ^{+0.12} / _{+0.00}	26.27
MRU-50X63X10	50	63	10	11.00 ^{+0.30} / _{+0.00}	50.00 ^{-0.025} / _{-0.064}	63.00 ^{+0.12} / _{+0.00}	27.07
MRU-50X65X9	50	65	9	10.00 ^{+0.30} / _{+0.00}	50.00 ^{-0.025} / _{-0.064}	65.00 ^{+0.12} / _{+0.00}	32.58
MRU-50X65X10	50	65	10	11.00 ^{+0.30} / _{+0.00}	50.00 ^{-0.025} / _{-0.064}	65.00 ^{+0.12} / _{+0.00}	27.34
MRU-50X65X10-ME	50	65	10	11.00 ^{+0.20} / _{+0.00}	50.00 ^{-0.025} / _{-0.064}	65.00 ^{+0.19} / _{+0.00}	18.39
MRU-50X65X11.4-ME	50	65	11.4	12.50 ^{+0.20} / _{+0.00}	50.00 ^{-0.025} / _{-0.064}	65.00 ^{+0.19} / _{+0.00}	16.74
MRU-50X65X11.5-E	50	65	11.5	12.50 ^{+0.30} / _{+0.00}	50.00 ^{-0.025} / _{-0.064}	65.00 ^{+0.12} / _{+0.00}	20.15
MRU-50X65X15.5-E	50	65	15.5	17.00 ^{+0.30} / _{+0.00}	50.00 ^{-0.025} / _{-0.064}	65.00 ^{+0.12} / _{+0.00}	20.15
MRU-50X66X12	50	66	12	13.00 ^{+0.30} / _{+0.00}	50.00 ^{-0.025} / _{-0.064}	66.00 ^{+0.12} / _{+0.00}	20.94
MRU-50X66X12-HT	50	66	12	13.00 ^{+0.30} / _{+0.00}	50.00 ^{-0.025} / _{-0.064}	66.00 ^{+0.12} / _{+0.00}	70.22
MRU-50X70X12	50	70	12	13.00 ^{+0.30} / _{+0.00}	50.00 ^{-0.025} / _{-0.064}	70.00 ^{+0.12} / _{+0.00}	27.56
MRU-51X61X8	51	61	8	9.00 ^{+0.30} / _{+0.00}	51.00 ^{-0.025} / _{-0.064}	61.00 ^{+0.12} / _{+0.00}	33.55
MRU-55X65X6-A	55	65	6	6.50 ^{+0.30} / _{+0.00}	55.00 ^{-0.030} / _{-0.076}	65.00 ^{+0.12} / _{+0.00}	4.71
MRU-55X65X7.2-E	55	65	7.2	8.00 ^{+0.30} / _{+0.00}	55.00 ^{-0.030} / _{-0.076}	65.00 ^{+0.12} / _{+0.00}	15.86
MRU-55X65X7.3	55	65	7.3	8.30 ^{+0.30} / _{+0.00}	55.00 ^{-0.030} / _{-0.076}	65.00 ^{+0.12} / _{+0.00}	13.81
MRU-55X65X7.3-ME	55	65	7.3	8.00 ^{+0.20} / _{+0.00}	55.00 ^{-0.030} / _{-0.076}	65.00 ^{+0.19} / _{+0.00}	21.18
MRU-55X65X8.2	55	65	8.2	9.00 ^{+0.20} / _{+0.00}	55.00 ^{-0.030} / _{-0.076}	65.00 ^{+0.12} / _{+0.00}	20.97
MRU-55X65X10-ME	55	65	10	11.00 ^{+0.20} / _{+0.00}	55.00 ^{-0.030} / _{-0.076}	65.00 ^{+0.19} / _{+0.00}	18.39
MRU-55X68X10	55	68	10	11.00 ^{+0.30} / _{+0.00}	55.00 ^{-0.030} / _{-0.076}	68.00 ^{+0.12} / _{+0.00}	33.82
MRU-55X70X9	55	70	9	10.00 ^{+0.30} / _{+0.00}	55.00 ^{-0.030} / _{-0.076}	70.00 ^{+0.12} / _{+0.00}	31.14
MRU-55X70X10-E	55	70	10	11.00 ^{+0.30} / _{+0.00}	55.00 ^{-0.030} / _{-0.076}	70.00 ^{+0.12} / _{+0.00}	17.47
MRU-55X71X12	55	71	12	13.00 ^{+0.30} / _{+0.00}	55.00 ^{-0.030} / _{-0.076}	71.00 ^{+0.12} / _{+0.00}	36.28
MRU-55X75X12	55	75	12	13.00 ^{+0.30} / _{+0.00}	55.00 ^{-0.030} / _{-0.076}	75.00 ^{+0.12} / _{+0.00}	27.78
MRU-56X66X7.3	56	66	7.3	8.00 ^{+0.30} / _{+0.00}	56.00 ^{-0.030} / _{-0.076}	66.00 ^{+0.12} / _{+0.00}	23.66
MRU-56X66X7.3-ME	56	66	7.3	8.00 ^{+0.20} / _{+0.00}	56.00 ^{-0.030} / _{-0.076}	66.00 ^{+0.19} / _{+0.00}	22.26
MRU-56X66X10-E	56	66	10	11.00 ^{+0.30} / _{+0.00}	56.00 ^{-0.030} / _{-0.076}	66.00 ^{+0.12} / _{+0.00}	16.30

ROD U-SEALS



STYLE MRU ROD U-SEALS

ROD U-SEALS

Part Number	A Nom. ID	B Nom. OD	C Nom. Ht	D GROOVE WIDTH	E ROD DIAMETER	G HOUSING DIAMETER	List Price
MRU-56X71X9	56	71	9	10.00 +0.30 +0.00	56.00 -0.030 -0.076	71.00 +0.12 +0.00	26.66
MRU-56X71X10-E	56	71	10	11.00 +0.30 +0.00	56.00 -0.030 -0.076	71.00 +0.12 +0.00	17.47
MRU-60X68X8.2-ME	60	68	8.2	9.00 +0.20 +0.00	60.00 -0.030 -0.076	68.00 +0.19 +0.00	22.26
MRU-60X70X7.3	60	70	7.3	8.00 +0.30 +0.00	60.00 -0.030 -0.076	70.00 +0.12 +0.00	21.19
MRU-60X70X7.3-ME	60	70	7.3	8.00 +0.20 +0.00	60.00 -0.030 -0.076	70.00 +0.19 +0.00	19.30
MRU-60X70X8	60	70	8	9.00 +0.30 +0.00	60.00 -0.030 -0.076	70.00 +0.12 +0.00	20.81
MRU-60X70X10-ME	60	70	10	11.00 +0.20 +0.00	60.00 -0.030 -0.076	70.00 +0.19 +0.00	22.26
MRU-60X72X9-E	60	72	9	10.00 +0.30 +0.00	60.00 -0.030 -0.076	72.00 +0.12 +0.00	21.84
MRU-60X73X10	60	73	10	11.00 +0.30 +0.00	60.00 -0.030 -0.076	73.00 +0.12 +0.00	27.26
MRU-60X75X9	60	75	9	10.00 +0.30 +0.00	60.00 -0.030 -0.076	75.00 +0.12 +0.00	28.34
MRU-60X75X11.4-ME	60	75	11.4	12.50 +0.20 +0.00	60.00 -0.030 -0.076	75.00 +0.19 +0.00	17.59
MRU-60X76X10	60	76	10	11.00 +0.30 +0.00	60.00 -0.030 -0.076	76.00 +0.12 +0.00	29.00
MRU-60X76X12	60	76	12	13.00 +0.30 +0.00	60.00 -0.030 -0.076	76.00 +0.12 +0.00	31.41
MRU-60X80X12	60	80	12	13.00 +0.30 +0.00	60.00 -0.030 -0.076	80.00 +0.12 +0.00	30.28
MRU-63X73X12-E	63	73	12	13.00 +0.30 +0.00	63.00 -0.030 -0.076	73.00 +0.12 +0.00	20.97
MRU-63X75X8.7-ME	63	75	8.7	9.60 +0.20 +0.00	63.00 -0.030 -0.076	75.00 +0.074 +0.000	18.37
MRU-63X78X10-E	63	78	10	11.00 +0.30 +0.00	63.00 -0.030 -0.076	78.00 +0.12 +0.00	20.97
MRU-63X78X11.4-ME	63	78	11.4	12.50 +0.20 +0.00	63.00 -0.030 -0.076	78.00 +0.19 +0.00	19.16
MRU-63X79X11.5-GT	63	79	11.5	12.50 +0.30 +0.00	63.00 -0.030 -0.076	79.00 +0.12 +0.00	63.38
MRU-63X83X12	63	83	12	13.00 +0.30 +0.00	63.00 -0.030 -0.076	83.00 +0.14 +0.00	34.20
MRU-65X75X6	65	75	6	6.50 +0.30 +0.00	65.00 -0.030 -0.076	75.00 +0.12 +0.00	24.02
MRU-65X75X8	65	75	8	9.00 +0.30 +0.00	65.00 -0.030 -0.076	75.00 +0.12 +0.00	26.44
MRU-65X77X8.7-ME	65	77	8.7	9.60 +0.20 +0.00	65.00 -0.030 -0.076	77.00 +0.19 +0.00	21.04
MRU-65X78X10	65	78	10	11.00 +0.30 +0.00	65.00 -0.030 -0.076	78.00 +0.12 +0.00	31.68
MRU-65X78X10-A	65	78	10	11.00 +0.30 +0.00	65.00 -0.030 -0.076	78.00 +0.12 +0.00	7.12
MRU-65X80X9	65	80	9	10.00 +0.30 +0.00	65.00 -0.030 -0.076	80.00 +0.12 +0.00	29.77
MRU-65X80X9-U641	65	80	9	10.00 +0.30 +0.00	65.00 -0.030 -0.076	80.00 +0.12 +0.00	35.77
MRU-65X80X10-E	65	80	10	11.00 +0.30 +0.00	65.00 -0.030 -0.076	80.00 +0.12 +0.00	20.27
MRU-65X80X11.4-ME	65	80	11.4	12.50 +0.20 +0.00	65.00 -0.030 -0.076	80.00 +0.19 +0.00	22.34
MRU-65X85X12	65	85	12	13.00 +0.30 +0.00	65.00 -0.030 -0.076	85.00 +0.14 +0.00	58.76
MRU-70X80X7-E	70	80	7	8.00 +0.30 +0.00	70.00 -0.030 -0.076	80.00 +0.12 +0.00	22.83
MRU-70X80X11.8-ME	70	80	11.8	13.00 +0.20 +0.00	70.00 -0.030 -0.076	80.00 +0.19 +0.00	21.04
MRU-70X82X8.7-ME	70	82	8.7	9.50 +0.30 +0.00	70.00 -0.030 -0.076	82.00 +0.14 +0.00	25.25

STYLE MRU ROD U-SEALS



ROD U-SEALS

Part Number	A Nom. ID	B Nom. OD	C Nom. Ht	D GROOVE WIDTH	E ROD DIAMETER	G HOUSING DIAMETER	List Price
MRU-70X83X10	70	83	10	11.00 +0.30 +0.00	70.00 -0.030 -0.076	83.00 +0.14 +0.00	31.14
MRU-70X85X9	70	85	9	10.00 +0.30 +0.00	70.00 -0.030 -0.076	85.00 +0.14 +0.00	33.82
MRU-70X85X10-E	70	85	10	11.00 +0.30 +0.00	70.00 -0.030 -0.076	85.00 +0.14 +0.00	18.67
MRU-70X85X10-ME	70	85	10	11.00 +0.20 +0.00	70.00 -0.030 -0.076	85.00 +0.22 +0.00	25.25
MRU-70X85X11.4-ME	70	85	11.4	12.50 +0.20 +0.00	70.00 -0.030 -0.076	85.00 +0.22 +0.00	23.02
MRU-70X85X12-E	70	85	12	13.00 +0.30 +0.00	70.00 -0.030 -0.076	85.00 +0.14 +0.00	18.90
MRU-70X90X12	70	90	12	13.00 +0.30 +0.00	70.00 -0.030 -0.076	90.00 +0.14 +0.00	40.61
MRU-75X85X6-A	75	85	6	6.50 +0.30 +0.00	75.00 -0.030 -0.076	85.00 +0.14 +0.00	5.29
MRU-75X85X6.3	75	85	6.3	7.00 +0.30 +0.00	75.00 -0.030 -0.076	85.00 +0.14 +0.00	49.61
MRU-75X85X7-E	75	85	7	8.00 +0.30 +0.00	75.00 -0.030 -0.076	85.00 +0.14 +0.00	15.49
MRU-75X85X12-E	75	85	12	13.00 +0.30 +0.00	75.00 -0.030 -0.076	85.00 +0.14 +0.00	16.09
MRU-75X88X10	75	88	10	11.00 +0.30 +0.00	75.00 -0.030 -0.076	88.00 +0.14 +0.00	37.87
MRU-75X90X9	75	90	9	10.00 +0.30 +0.00	75.00 -0.030 -0.076	90.00 +0.14 +0.00	37.21
MRU-75X90X10-E	75	90	10	11.00 +0.30 +0.00	75.00 -0.030 -0.076	90.00 +0.14 +0.00	18.67
MRU-75X90X10-ME	75	90	10	11.00 +0.20 +0.00	75.00 -0.030 -0.076	90.00 +0.22 +0.00	26.86
MRU-75X90X11.4-ME	75	90	11.4	12.50 +0.30 +0.00	75.00 -0.030 -0.076	90.00 +0.14 +0.00	43.62
MRU-75X95X12	75	95	12	13.00 +0.30 +0.00	75.00 -0.030 -0.076	95.00 +0.14 +0.00	40.93
MRU-80X90X6	80	90	6	6.50 +0.30 +0.00	80.00 -0.030 -0.076	90.00 +0.14 +0.00	28.85
MRU-80X92X8.7-ME	80	92	8.7	9.60 +0.20 +0.00	80.00 -0.030 -0.076	92.00 +0.22 +0.00	28.94
MRU-80X93X10	80	93	10	11.00 +0.30 +0.00	80.00 -0.030 -0.076	93.00 +0.14 +0.00	41.46
MRU-80X95X9	80	95	9	10.00 +0.30 +0.00	80.00 -0.030 -0.076	95.00 +0.14 +0.00	41.46
MRU-80X95X10	80	95	10	11.00 +0.30 +0.00	80.00 -0.030 -0.076	95.00 +0.14 +0.00	42.72
MRU-80X95X11.4-ME	80	95	11.4	12.50 +0.20 +0.00	80.00 -0.030 -0.076	95.00 +0.22 +0.00	26.36
MRU-80X95X11.5-E	80	95	11.5	12.50 +0.30 +0.00	80.00 -0.030 -0.076	95.00 +0.14 +0.00	19.55
MRU-80X100X12	80	100	12	13.00 +0.30 +0.00	80.00 -0.030 -0.076	100.00 +0.14 +0.00	45.01
MRU-85X100X9	85	100	9	10.00 +0.30 +0.00	85.00 -0.036 -0.090	100.00 +0.14 +0.00	45.01
MRU-85X100X10	85	100	10	11.00 +0.30 +0.00	85.00 -0.036 -0.090	100.00 +0.14 +0.00	45.18
MRU-85X100X11.4-ME	85	100	11.4	12.50 +0.30 +0.00	85.00 -0.036 -0.090	100.00 +0.14 +0.00	34.06
MRU-85X105X12	85	105	12	13.00 +0.30 +0.00	85.00 -0.036 -0.090	105.00 +0.14 +0.00	46.60
MRU-90X102X8.7-ME	90	102	8.7	9.60 +0.20 +0.00	90.00 -0.036 -0.090	102.00 +0.22 +0.00	34.37
MRU-90X105X9	90	105	9	10.00 +0.30 +0.00	90.00 -0.036 -0.090	105.00 +0.14 +0.00	47.40
MRU-90X105X10	90	105	10	11.00 +0.30 +0.00	90.00 -0.036 -0.090	105.00 +0.14 +0.00	47.91
MRU-90X105X11.4-ME	90	105	11.4	12.50 +0.20 +0.00	90.00 -0.036 -0.090	105.00 +0.22 +0.00	36.48



STYLE MRU ROD U-SEALS

ROD U-SEALS

Part Number	A Nom. ID	B Nom. OD	C Nom. Ht	D GROOVE WIDTH	E ROD DIAMETER	G HOUSING DIAMETER	List Price
MRU-90X105X11.5-E	90	105	11.5	12.50 ^{+0.30} / _{+0.00}	90.00 ^{-0.036} / _{-0.090}	105.00 ^{+0.14} / _{+0.00}	27.54
MRU-90X110X12	90	110	12	13.00 ^{+0.30} / _{+0.00}	90.00 ^{-0.036} / _{-0.090}	110.00 ^{+0.14} / _{+0.00}	42.18
MRU-90X110X15-E	90	110	15	16.50 ^{+0.30} / _{+0.00}	90.00 ^{-0.036} / _{-0.090}	110.00 ^{+0.14} / _{+0.00}	21.89
MRU-95X110X9	95	110	9	10.00 ^{+0.30} / _{+0.00}	95.00 ^{-0.036} / _{-0.090}	110.00 ^{+0.14} / _{+0.00}	50.12
MRU-95X110X10	95	110	10	11.00 ^{+0.30} / _{+0.00}	95.00 ^{-0.036} / _{-0.090}	110.00 ^{+0.14} / _{+0.00}	50.12
MRU-95X115X12	95	115	12	13.00 ^{+0.30} / _{+0.00}	95.00 ^{-0.036} / _{-0.090}	115.00 ^{+0.14} / _{+0.00}	50.58
MRU-100X113X12.5-E	100	113	12.5	14.00 ^{+0.30} / _{+0.00}	100.00 ^{-0.036} / _{-0.090}	113.00 ^{+0.14} / _{+0.00}	36.30
MRU-100X115X10	100	115	10	11.00 ^{+0.30} / _{+0.00}	100.00 ^{-0.036} / _{-0.090}	115.00 ^{+0.14} / _{+0.00}	38.32
MRU-100X115X11.4-ME	100	115	11.4	12.50 ^{+0.20} / _{+0.00}	100.00 ^{-0.036} / _{-0.090}	115.00 ^{+0.22} / _{+0.00}	42.06
MRU-100X115X12-E	100	115	12	13.00 ^{+0.30} / _{+0.00}	100.00 ^{-0.036} / _{-0.090}	115.00 ^{+0.14} / _{+0.00}	21.89
MRU-100X120X12	100	120	12	13.00 ^{+0.30} / _{+0.00}	100.00 ^{-0.036} / _{-0.090}	120.00 ^{+0.14} / _{+0.00}	54.81
MRU-100X120X15-E	100	120	15	16.50 ^{+0.30} / _{+0.00}	100.00 ^{-0.036} / _{-0.090}	120.00 ^{+0.14} / _{+0.00}	22.16
MRU-105X120X9	105	120	9	10.00 ^{+0.30} / _{+0.00}	105.00 ^{-0.036} / _{-0.090}	120.00 ^{+0.14} / _{+0.00}	61.52
MRU-105X120X10	105	120	10	11.00 ^{+0.30} / _{+0.00}	105.00 ^{-0.036} / _{-0.090}	120.00 ^{+0.14} / _{+0.00}	62.77
MRU-105X125X12	105	125	12	13.00 ^{+0.30} / _{+0.00}	105.00 ^{-0.036} / _{-0.090}	125.00 ^{+0.16} / _{+0.00}	68.12
MRU-105X125X15	105	125	15	16.50 ^{+0.30} / _{+0.00}	105.00 ^{-0.036} / _{-0.090}	125.00 ^{+0.16} / _{+0.00}	65.92
MRU-110X125X9	110	125	9	10.00 ^{+0.30} / _{+0.00}	110.00 ^{-0.036} / _{-0.090}	125.00 ^{+0.16} / _{+0.00}	69.69
MRU-110X125X9-A	110	125	9	10.00 ^{+0.30} / _{+0.00}	110.00 ^{-0.036} / _{-0.090}	125.00 ^{+0.16} / _{+0.00}	12.65
MRU-110X125X10	110	125	10	11.00 ^{+0.30} / _{+0.00}	110.00 ^{-0.036} / _{-0.090}	125.00 ^{+0.16} / _{+0.00}	70.93
MRU-110X125X10.9-ME	110	125	10.9	12.00 ^{+0.20} / _{+0.00}	110.00 ^{-0.036} / _{-0.090}	125.00 ^{+0.25} / _{+0.00}	47.84
MRU-110X130X10	110	130	10	11.00 ^{+0.30} / _{+0.00}	110.00 ^{-0.036} / _{-0.090}	130.00 ^{+0.16} / _{+0.00}	72.26
MRU-110X130X12	110	130	12	13.00 ^{+0.30} / _{+0.00}	110.00 ^{-0.036} / _{-0.090}	130.00 ^{+0.16} / _{+0.00}	76.35
MRU-110X130X13	110	130	13	14.50 ^{+0.30} / _{+0.00}	110.00 ^{-0.036} / _{-0.090}	130.00 ^{+0.16} / _{+0.00}	76.35
MRU-110X130X15	110	130	15	16.50 ^{+0.30} / _{+0.00}	110.00 ^{-0.036} / _{-0.090}	130.00 ^{+0.16} / _{+0.00}	79.12
MRU-112X127X10	112	127	10	11.00 ^{+0.30} / _{+0.00}	112.00 ^{-0.036} / _{-0.090}	127.00 ^{+0.16} / _{+0.00}	120.75
MRU-115X130X9	115	130	9	10.00 ^{+0.30} / _{+0.00}	115.00 ^{-0.036} / _{-0.090}	130.00 ^{+0.16} / _{+0.00}	76.15
MRU-115X130X10	115	130	10	11.00 ^{+0.30} / _{+0.00}	115.00 ^{-0.036} / _{-0.090}	130.00 ^{+0.16} / _{+0.00}	118.85
MRU-115X130X10.9-ME	115	130	10.9	12.00 ^{+0.20} / _{+0.00}	115.00 ^{-0.036} / _{-0.090}	130.00 ^{+0.25} / _{+0.00}	50.59
MRU-115X135X12	115	135	12	13.00 ^{+0.30} / _{+0.00}	115.00 ^{-0.036} / _{-0.090}	135.00 ^{+0.16} / _{+0.00}	74.11
MRU-118X133X9	118	133	9	10.00 ^{+0.30} / _{+0.00}	118.00 ^{-0.036} / _{-0.090}	133.00 ^{+0.16} / _{+0.00}	53.34
MRU-120X135X9	120	135	9	10.00 ^{+0.30} / _{+0.00}	120.00 ^{-0.036} / _{-0.090}	135.00 ^{+0.16} / _{+0.00}	77.95
MRU-120X140X10	120	140	10	11.00 ^{+0.30} / _{+0.00}	120.00 ^{-0.036} / _{-0.090}	140.00 ^{+0.16} / _{+0.00}	85.71
MRU-120X140X12	120	140	12	13.00 ^{+0.30} / _{+0.00}	120.00 ^{-0.036} / _{-0.090}	140.00 ^{+0.16} / _{+0.00}	90.28

STYLE MRU ROD U-SEALS



ROD U-SEALS

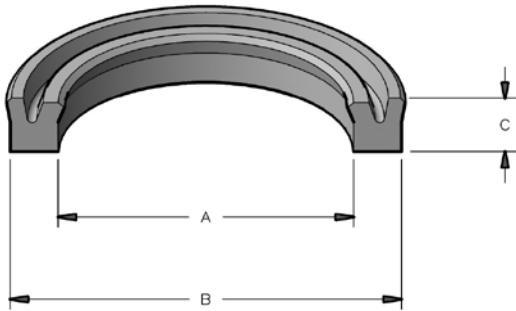
Part Number	A Nom. ID	B Nom. OD	C Nom. Ht	D GROOVE WIDTH	E ROD DIAMETER	G HOUSING DIAMETER	List Price
MRU-120X140X13	120	140	13	14.50 ^{+0.30} / _{+0.00}	120.00 ^{-0.036} / _{-0.090}	140.00 ^{+0.16} / _{+0.00}	90.28
MRU-120X140X14.6-ME	120	140	14.6	16.00 ^{+0.20} / _{+0.00}	120.00 ^{-0.036} / _{-0.090}	140.00 ^{+0.25} / _{+0.00}	54.73
MRU-120X140X15	120	140	15	16.50 ^{+0.30} / _{+0.00}	120.00 ^{-0.036} / _{-0.090}	140.00 ^{+0.16} / _{+0.00}	73.33
MRU-125X140X10.9-ME	125	140	10.9	12.00 ^{+0.20} / _{+0.00}	125.00 ^{-0.043} / _{-0.106}	140.00 ^{+0.25} / _{+0.00}	58.08
MRU-125X145X12	125	145	12	13.00 ^{+0.30} / _{+0.00}	125.00 ^{-0.043} / _{-0.106}	145.00 ^{+0.16} / _{+0.00}	84.48
MRU-130X145X9	130	145	9	10.00 ^{+0.30} / _{+0.00}	130.00 ^{-0.043} / _{-0.106}	145.00 ^{+0.16} / _{+0.00}	73.17
MRU-130X150X12	130	150	12	13.00 ^{+0.30} / _{+0.00}	130.00 ^{-0.043} / _{-0.106}	150.00 ^{+0.16} / _{+0.00}	86.18
MRU-130X150X13	130	150	13	14.50 ^{+0.30} / _{+0.00}	130.00 ^{-0.043} / _{-0.106}	150.00 ^{+0.16} / _{+0.00}	95.29
MRU-130X150X16	130	150	16	17.00 ^{+0.30} / _{+0.00}	130.00 ^{-0.043} / _{-0.106}	150.00 ^{+0.16} / _{+0.00}	105.08
MRU-135X150X9-A	135	150	9	10.00 ^{+0.30} / _{+0.00}	135.00 ^{-0.043} / _{-0.106}	150.00 ^{+0.16} / _{+0.00}	12.65
MRU-140X155X9	140	155	9	10.00 ^{+0.30} / _{+0.00}	140.00 ^{-0.043} / _{-0.106}	155.00 ^{+0.16} / _{+0.00}	58.01
MRU-140X160X12	140	160	12	13.00 ^{+0.30} / _{+0.00}	140.00 ^{-0.043} / _{-0.106}	160.00 ^{+0.16} / _{+0.00}	105.86
MRU-140X160X14.6-ME	140	160	14.6	16.00 ^{+0.20} / _{+0.00}	140.00 ^{-0.043} / _{-0.106}	160.00 ^{+0.25} / _{+0.00}	80.61
MRU-145X160X9-A	145	160	9	10.00 ^{+0.30} / _{+0.00}	145.00 ^{-0.043} / _{-0.106}	160.00 ^{+0.16} / _{+0.00}	13.44
MRU-150X170X12	150	170	12	13.00 ^{+0.30} / _{+0.00}	150.00 ^{-0.043} / _{-0.106}	170.00 ^{+0.16} / _{+0.00}	154.61
MRU-150X170X14.6-ME	150	170	14.6	16.00 ^{+0.20} / _{+0.00}	150.00 ^{-0.043} / _{-0.106}	170.00 ^{+0.25} / _{+0.00}	88.05
MRU-150X170X16	150	170	16	17.00 ^{+0.30} / _{+0.00}	150.00 ^{-0.043} / _{-0.106}	170.00 ^{+0.16} / _{+0.00}	123.72
MRU-155X170X9-A	155	170	9	10.00 ^{+0.30} / _{+0.00}	155.00 ^{-0.043} / _{-0.106}	170.00 ^{+0.16} / _{+0.00}	14.38
MRU-160X180X12	160	180	12	13.00 ^{+0.30} / _{+0.00}	160.00 ^{-0.043} / _{-0.106}	180.00 ^{+0.16} / _{+0.00}	138.76
MRU-160X180X12-BHT	160	180	12	13.00 ^{+0.30} / _{+0.00}	160.00 ^{-0.043} / _{-0.106}	180.00 ^{+0.16} / _{+0.00}	123.53
MRU-160X180X15	160	180	15	16.00 ^{+0.30} / _{+0.00}	160.00 ^{-0.043} / _{-0.106}	180.00 ^{+0.16} / _{+0.00}	132.29
MRU-160X185X16	160	185	16	17.00 ^{+0.30} / _{+0.00}	160.00 ^{-0.043} / _{-0.106}	185.00 ^{+0.185} / _{+0.000}	131.30
MRU-170X190X12-E	170	190	12	13.00 ^{+0.30} / _{+0.00}	170.00 ^{-0.043} / _{-0.106}	190.00 ^{+0.185} / _{+0.000}	43.50
MRU-170X195X16	170	195	16	17.00 ^{+0.30} / _{+0.00}	170.00 ^{-0.043} / _{-0.106}	195.00 ^{+0.185} / _{+0.000}	209.14
MRU-178X198X12-HT	178	198	12	13.00 ^{+0.30} / _{+0.00}	178.00 ^{-0.043} / _{-0.106}	198.00 ^{+0.185} / _{+0.000}	140.88
MRU-180X200X14.6-ME	180	200	14.6	16.00 ^{+0.20} / _{+0.00}	180.00 ^{-0.043} / _{-0.106}	200.00 ^{+0.29} / _{+0.00}	109.62
MRU-180X205X16	180	205	16	17.00 ^{+0.30} / _{+0.00}	180.00 ^{-0.043} / _{-0.106}	205.00 ^{+0.185} / _{+0.000}	216.95
MRU-200X225X16	200	225	16	17.00 ^{+0.30} / _{+0.00}	200.00 ^{-0.050} / _{-0.122}	225.00 ^{+0.185} / _{+0.000}	248.83

Seal color may vary. Special order sizes are available. Sizes not shown and out of stock items can also be ordered for next day delivery through Seals On Demand, our custom seal program. Please call your regional sales team for assistance.



STYLE MRU-KYB ROD U-SEALS

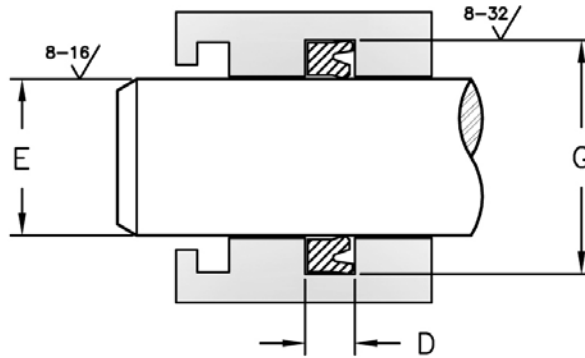
MRU-KYB rod u-seals are made to a Kayaba-equivalent design which is commonly used within Caterpillar, Deere/Hitachi and Volvo cylinders.



HERCULES PART NUMBERS

MRU - 80 x 100 x 12-KYB
 Type of Seal Inside Diameter Outside Diameter Height

SEAL INFORMATION	
MATERIAL	URETHANE
TEMPERATURE RANGE	-65° TO +212° F
PRESSURE RANGE	0 TO 5,000 PSI
SPEED	3 FT/SEC



ROD U-SEALS

Part Number	A Nom. ID	B Nom. OD	C Nom. Ht	D GROOVE WIDTH	E ROD DIAMETER	G HOUSING DIAMETER	List Price
MRU-80X95X9-KYB	80	95	9	10.00 +0.30 +0.00	80.00 -0.030 -0.076	95.00 +0.14 +0.00	\$25.77
MRU-80X100X12-KYB	80	100	12	13.00 +0.30 +0.00	80.00 -0.030 -0.076	100.00 +0.14 +0.00	36.26
MRU-85X100X9-KYB	85	100	9	10.00 +0.30 +0.00	85.00 -0.036 -0.090	100.00 +0.14 +0.00	26.73
MRU-85X105X12-KYB	85	105	12	13.00 +0.30 +0.00	85.00 -0.036 -0.090	105.00 +0.14 +0.00	36.26
MRU-90X105X9-KYB	90	105	9	10.00 +0.30 +0.00	90.00 -0.036 -0.090	105.00 +0.14 +0.00	26.73
MRU-90X110X12-KYB	90	110	12	13.00 +0.30 +0.00	90.00 -0.036 -0.090	110.00 +0.14 +0.00	31.93
MRU-95X110X9-KYB	95	110	9	10.00 +0.30 +0.00	95.00 -0.036 -0.090	110.00 +0.14 +0.00	15.38
MRU-95X115X12-KYB	95	115	12	13.00 +0.30 +0.00	95.00 -0.036 -0.090	115.00 +0.14 +0.00	38.77
MRU-100X115X9-KYB	100	115	9	10.00 +0.30 +0.00	100.00 -0.036 -0.090	115.00 +0.14 +0.00	32.51
MRU-100X120X12-KYB	100	120	12	13.00 +0.30 +0.00	100.00 -0.036 -0.090	120.00 +0.14 +0.00	42.55
MRU-105X120X9-KYB	105	120	9	10.00 +0.30 +0.00	105.00 -0.036 -0.090	120.00 +0.14 +0.00	20.00
MRU-105X125X12-KYB	105	125	12	13.00 +0.30 +0.00	105.00 -0.036 -0.090	125.00 +0.16 +0.00	51.82
MRU-110X130X12-KYB	110	130	12	13.00 +0.30 +0.00	110.00 -0.036 -0.090	130.00 +0.16 +0.00	59.11
MRU-115X135X12-KYB	115	135	12	13.00 +0.30 +0.00	115.00 -0.036 -0.090	135.00 +0.16 +0.00	55.71
MRU-120X140X12-KYB	120	140	12	13.00 +0.30 +0.00	120.00 -0.036 -0.090	140.00 +0.16 +0.00	67.96
MRU-125X145X12-KYB	125	145	12	13.00 +0.30 +0.00	125.00 -0.043 -0.106	145.00 +0.16 +0.00	63.31

STYLE MRU-KYB ROD U-SEALS

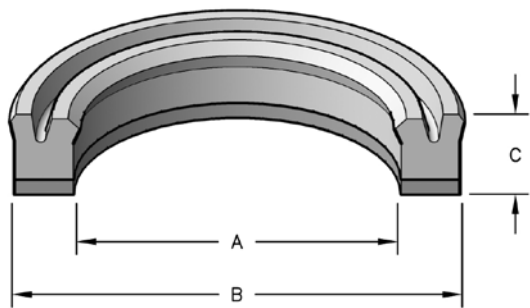


Part Number	A Nom. ID	B Nom. OD	C Nom. Ht	D GROOVE WIDTH	E ROD DIAMETER	G HOUSING DIAMETER	List Price
MRU-130X150X12-KYB	130	150	12	13.00 ^{+0.30} / _{+0.00}	130.00 ^{-0.043} / _{-0.106}	150.00 ^{+0.16} / _{+0.00}	64.28
MRU-140X160X12-KYB	140	160	12	13.00 ^{+0.30} / _{+0.00}	140.00 ^{-0.043} / _{-0.106}	160.00 ^{+0.16} / _{+0.00}	79.84

ROD U-SEALS

STYLE MRUB ROD U-SEALS W/BACK-UP RINGS

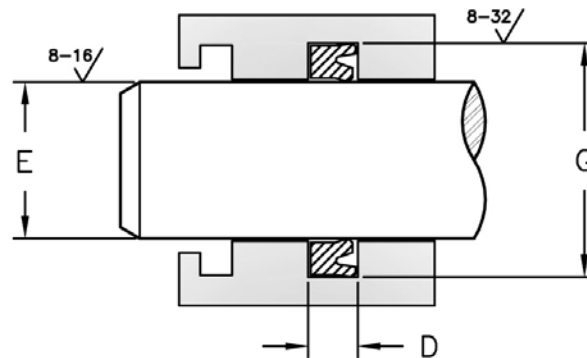
Molded in a tough urethane, this rod u-seal fits tightly in the groove while providing increased radial force on the rod. The employment of a nylon back-up makes it highly extrusion resistant. GT= GREEN TWEED SEAL



HERCULES PART NUMBERS

MRUB - 50 x 63 x 13
 Type of Seal Inside Diameter Outside Diameter Height

SEAL INFORMATION	
MATERIAL	URETHANE SEAL NYLON BACK-UP
TEMPERATURE RANGE	-65° TO +220° F
PRESSURE RANGE	0 TO 5,500 PSI
SPEED	3 FT/SEC



ROD U-SEALS

Part Number	A Nom. ID	B Nom. OD	C Nom. Ht	D GROOVE WIDTH	E ROD DIAMETER	G HOUSING DIAMETER	List Price
MRUB-50X63X13	50	63	13	14.00 +0.30 +0.00	50.00 -0.025 -0.064	63.00 +0.12 +0.00	\$48.92
MRUB-55X68X13	55	68	13	14.00 +0.30 +0.00	55.00 -0.030 -0.076	68.00 +0.12 +0.00	56.88
MRUB-60X73X13.2	60	73	13.2	14.00 +0.30 +0.00	60.00 -0.030 -0.076	73.00 +0.12 +0.00	49.61
MRUB-63X78X11.5-GT	63	78	11.5	12.50 +0.30 +0.00	63.00 -0.030 -0.076	78.00 +0.12 +0.00	136.07
MRUB-65X78X13.2	65	78	13.2	14.00 +0.30 +0.00	65.00 -0.030 -0.076	78.00 +0.12 +0.00	50.49
MRUB-65X80X12	65	80	12	13.00 +0.30 +0.00	65.00 -0.030 -0.076	80.00 +0.12 +0.00	34.92
MRUB-70X83X13.2	70	83	13.2	14.00 +0.30 +0.00	70.00 -0.030 -0.076	83.00 +0.14 +0.00	52.89
MRUB-70X86X11.5-GT	70	86	11.5	12.50 +0.30 +0.00	70.00 -0.030 -0.076	86.00 +0.14 +0.00	154.07
MRUB-75X88X13.2	75	88	13.2	14.00 +0.30 +0.00	75.00 -0.030 -0.076	88.00 +0.14 +0.00	57.17
MRUB-80X93X13.2	80	93	13.2	14.00 +0.30 +0.00	80.00 -0.030 -0.076	93.00 +0.14 +0.00	59.02
MRUB-80X95X12	80	95	12	13.00 +0.30 +0.00	80.00 -0.030 -0.076	95.00 +0.14 +0.00	52.15
MRUB-85X100X13.2	85	100	13.2	14.00 +0.30 +0.00	85.00 -0.036 -0.090	100.00 +0.14 +0.00	63.71
MRUB-90X105X13.2	90	105	13.2	14.00 +0.30 +0.00	90.00 -0.036 -0.090	105.00 +0.14 +0.00	67.73
MRUB-95X110X13.2	95	110	13.2	14.00 +0.30 +0.00	95.00 -0.036 -0.090	110.00 +0.14 +0.00	70.79
MRUB-100X115X13.2	100	115	13.2	14.00 +0.30 +0.00	100.00 -0.036 -0.090	115.00 +0.14 +0.00	71.51

STYLE MRUB ROD U-SEALS W/BACK-UP RINGS



Part Number	A Nom. ID	B Nom. OD	C Nom. Ht	D GROOVE WIDTH	E ROD DIAMETER	G HOUSING DIAMETER	List Price
MRUB-105X120X12	105	120	12	13.00 +0.30 +0.00	105.00 -0.036 -0.090	120.00 +0.14 +0.00	64.44
MRUB-110X130X13	110	130	13	14.00 +0.30 +0.00	110.00 -0.036 -0.090	130.00 +0.16 +0.00	97.30
MRUB-130X150X16	130	150	16	17.00 +0.30 +0.00	130.00 -0.043 -0.106	150.00 +0.16 +0.00	105.22
MRUB-140X160X15	140	160	15	16.00 +0.30 +0.00	140.00 -0.043 -0.106	160.00 +0.16 +0.00	93.25
MRUB-160X185X19.5	160	185	19.5	20.50 +0.30 +0.00	160.00 -0.043 -0.106	185.00 +0.185 +0.000	188.68
MRUB-180X205X19.5	180	205	19.5	20.50 +0.30 +0.00	180.00 -0.043 -0.106	205.00 +0.185 +0.000	258.27
MRUB-200X225X20	200	225	20	21.00 +0.30 +0.00	200.00 -0.050 -0.122	225.00 +0.185 +0.000	327.56

Online Ordering Available!
 Go to www.HerculesUS.com -
 Place Your Order Today.

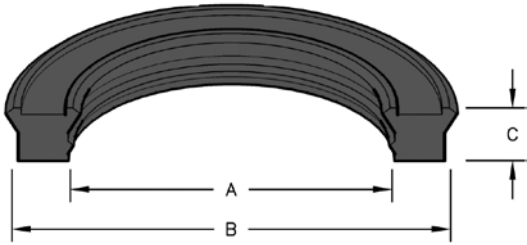
Web Features Include:

**Custom Seal Configurator with Instant Pricing & Availability,
 Quick Order Entry System, Customer Specific Control Panel
 (track your package, top parts searched & ordered and more),
 Real-Time Inventory, Customer Specific Pricing, Search by
 Size, Search by Machine Type, Billing Portal,
 Large Order Excel Upload, iPhone & Android Apps with
 Customer Managed Inventory, and Much More.**

ROD U-SEALS

STYLE MRTS, MUTS & MRTSB ROD U-SEALS

Designed specifically for rod applications, the short lip design and solid 'U' cavity provide high sealability at low pressure. At the heel, a secondary lip provides stability, friction-reducing lube retention, and some contamination resistance.

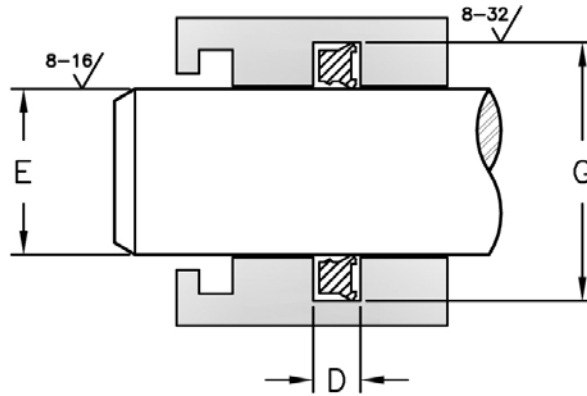


HERCULES PART NUMBERS

MRTS - 12 x 19 x 5
 Type of Seal Inside Diameter Outside Diameter Height



SEAL INFORMATION	
MATERIAL	URETHANE
TEMPERATURE RANGE	-22° TO +212° F
PRESSURE RANGE	0 TO 5,000 PSI
SPEED	3 FT/SEC



ROD U-SEALS

Part Number	A Nom. ID	B Nom. OD	C Nom. Ht	D GROOVE WIDTH	E ROD DIAMETER	G HOUSING DIAMETER	List Price
MRTS-12X19X5	12	19	5	6.00 ^{+0.20} / _{+0.00}	12.00 ^{-0.016} / _{-0.043}	19.00 ^{+0.084} / _{+0.000}	\$24.76
MRTS-12X20X5.8	12	20	5.8	6.30 ^{+0.20} / _{+0.00}	12.00 ^{-0.016} / _{-0.043}	20.00 ±0.042	8.26
MRTS-14X21X5	14	21	5	6.00 ^{+0.20} / _{+0.00}	14.00 ^{-0.016} / _{-0.043}	21.00 ^{+0.084} / _{+0.000}	31.57
MRTS-16X24X6	16	24	6	6.50 ^{+0.20} / _{+0.00}	16.00 ^{-0.016} / _{-0.043}	24.00 ±0.042	8.74
MRTS-18X25X5	18	25	5	5.50 ^{+0.20} / _{+0.00}	18.00 ^{-0.016} / _{-0.043}	25.00 ±0.042	9.76
MRTS-18X26X5.8	18	26	5.8	6.30 ^{+0.20} / _{+0.00}	18.00 ^{-0.016} / _{-0.043}	26.00 ±0.042	10.13
MRTS-20X28X6.5	20	28	6.5	7.00 ^{+0.20} / _{+0.00}	20.00 ^{-0.020} / _{-0.053}	28.00 ±0.042	10.23
MRTS-22X28X4.5	22	28	4.5	5.00 ^{+0.20} / _{+0.00}	22.00 ^{-0.020} / _{-0.053}	28.00 ±0.042	10.21
MRTS-22X29X5	22	29	5	6.00 ^{+0.20} / _{+0.00}	22.00 ^{-0.020} / _{-0.053}	29.00 ^{+0.084} / _{+0.000}	16.70
MRTS-22X30X5.8	22	30	5.8	6.30 ^{+0.20} / _{+0.00}	22.00 ^{-0.020} / _{-0.053}	30.00 ±0.042	9.96
MRTS-22X32X7	22	32	7	7.50 ^{+0.20} / _{+0.00}	22.00 ^{-0.020} / _{-0.053}	32.00 ±0.05	10.21
MRTS-22X32X8	22	32	8	9.00 ^{+0.25} / _{+0.00}	22.00 ^{-0.020} / _{-0.041}	32.00 ^{+0.10} / _{+0.00}	10.41
MRTS-25X33X5.8	25	33	5.8	6.30 ^{+0.20} / _{+0.00}	25.00 ^{-0.020} / _{-0.053}	33.00 ±0.05	10.98
MRTS-25X35X5.8	25	35	5.8	6.30 ^{+0.20} / _{+0.00}	25.00 ^{-0.020} / _{-0.053}	35.00 ±0.05	10.98

STYLE MRTS, MUTS & MRTSB ROD U-SEALS



ROD U-SEALS

Part Number	A Nom. ID	B Nom. OD	C Nom. Ht	D GROOVE WIDTH	E ROD DIAMETER	G HOUSING DIAMETER	List Price
MRTS-25X35X7	25	35	7	7.50 ^{+0.20} / _{+0.00}	25.00 ^{-0.020} / _{-0.053}	35.00 ±0.05	10.55
MRTS-25X35X8	25	35	8	9.00 ^{+0.20} / _{+0.00}	25.00 ^{-0.020} / _{-0.053}	35.00 ±0.05	10.77
MRTS-28X36X5.8	28	36	5.8	6.30 ^{+0.20} / _{+0.00}	28.00 ^{-0.020} / _{-0.053}	36.00 ±0.05	10.98
MRTS-28X38X7	28	38	7	7.50 ^{+0.20} / _{+0.00}	28.00 ^{-0.020} / _{-0.053}	38.00 ±0.05	10.98
MRTS-30X38X5.8	30	38	5.8	6.30 ^{+0.20} / _{+0.00}	30.00 ^{-0.020} / _{-0.053}	38.00 ±0.05	17.27
MRTS-30X38X8	30	38	8	9.00 ^{+0.20} / _{+0.00}	30.00 ^{-0.020} / _{-0.053}	38.00 ±0.05	11.50
MRTS-30X40X6.5	30	40	6.5	7.50 ^{+0.20} / _{+0.00}	30.00 ^{-0.020} / _{-0.053}	40.00 ±0.05	17.60
MRTS-30X40X10	30	40	10	11.00 ^{+0.20} / _{+0.00}	30.00 ^{-0.020} / _{-0.053}	40.00 ±0.05	12.52
MRTS-32X42X8	32	42	8	9.00 ^{+0.20} / _{+0.00}	32.00 ^{-0.025} / _{-0.064}	42.00 ±0.05	12.11
MRTS-35X43X5.8	35	43	5.8	6.30 ^{+0.20} / _{+0.00}	35.00 ^{-0.025} / _{-0.064}	43.00 ±0.05	10.53
MRTS-35X43X6	35	43	6	6.50 ^{+0.20} / _{+0.00}	35.00 ^{-0.025} / _{-0.064}	43.00 ±0.05	10.47
MRTS-35X43X8	35	43	8	9.00 ^{+0.20} / _{+0.00}	35.00 ^{-0.025} / _{-0.064}	43.00 ±0.05	12.71
MRTS-35X45X7	35	45	7	8.00 ^{+0.20} / _{+0.00}	35.00 ^{-0.025} / _{-0.064}	45.00 ^{+0.10} / _{+0.00}	16.60
MRTS-35X45X10	35	45	10	11.00 ^{+0.20} / _{+0.00}	35.00 ^{-0.025} / _{-0.064}	45.00 ±0.05	20.54
MRTS-35X50X10	35	50	10	11.00 ^{+0.20} / _{+0.00}	35.00 ^{-0.025} / _{-0.064}	50.00 ±0.05	12.79
MRTS-36X44X5.7	36	44	5.8	6.30 ^{+0.20} / _{+0.00}	36.00 ^{-0.025} / _{-0.064}	44.00 ±0.05	14.48
MUTS-36X46X10	36	46	10	11.00 ^{+0.20} / _{+0.00}	36.00 ^{-0.025} / _{-0.064}	46.00 ^{+0.10} / _{+0.00}	15.26
MRTS-40X48X5.8	40	48	5.8	6.30 ^{+0.20} / _{+0.00}	40.00 ^{-0.025} / _{-0.064}	48.00 ±0.05	11.90
MRTS-40X50X7	40	50	7	7.50 ^{+0.20} / _{+0.00}	40.00 ^{-0.025} / _{-0.064}	50.00 ±0.05	12.79
MRTS-40X50X10	40	50	10	11.00 ^{+0.20} / _{+0.00}	40.00 ^{-0.025} / _{-0.064}	50.00 ±0.05	17.24
MRTSB-40X50X10	40	50	10	11.00 ^{+0.20} / _{+0.00}	40.00 ^{-0.025} / _{-0.064}	50.00 ±0.05	13.69
MRTS-42X52X8	42	52	8	9.00 ^{+0.20} / _{+0.00}	42.00 ^{-0.025} / _{-0.064}	52.00 ±0.06	13.39
MRTS-45X53X5.8	45	53	5.8	6.30 ^{+0.20} / _{+0.00}	45.00 ^{-0.025} / _{-0.064}	53.00 ^{+0.12} / _{+0.00}	36.13
MRTS-45X53X8	45	53	8	9.00 ^{+0.20} / _{+0.00}	45.00 ^{-0.025} / _{-0.064}	53.00 ±0.06	17.24
MRTS-45X55X7	45	55	7	8.00 ^{+0.25} / _{+0.00}	45.00 ^{-0.025} / _{-0.064}	55.00 ±0.06	14.08
MRTS-45X55X10	45	55	10	11.00 ^{+0.20} / _{+0.00}	45.00 ^{-0.025} / _{-0.064}	55.00 ±0.06	17.24
MRTS-46X54X8.2	46	54	8.2	9.20 ^{+0.20} / _{+0.00}	46.00 ^{-0.025} / _{-0.064}	54.00 ±0.06	14.08
MRTS-50X60X7	50	60	7	7.50 ^{+0.20} / _{+0.00}	50.00 ^{-0.025} / _{-0.064}	60.00 ±0.06	14.19
MRTS-50X60X9	50	60	9	10.00 ^{+0.20} / _{+0.00}	50.00 ^{-0.025} / _{-0.064}	60.00 ±0.06	14.48
MRTS-50X60X10	50	60	10	11.00 ^{+0.20} / _{+0.00}	50.00 ^{-0.025} / _{-0.064}	60.00 ±0.06	17.24
MUTS-50X60X10	50	60	10	11.00 ^{+0.20} / _{+0.00}	50.00 ^{-0.025} / _{-0.064}	60.00 ^{+0.12} / _{+0.00}	17.67
MRTS-50X65X10	50	65	10	11.00 ^{+0.20} / _{+0.00}	50.00 ^{-0.025} / _{-0.064}	65.00 ±0.06	17.17
MRTS-55X65X10	55	65	10	11.00 ^{+0.20} / _{+0.00}	55.00 ^{-0.030} / _{-0.076}	65.00 ±0.06	17.24

STYLE MRTS, MUTS & MRTSB ROD U-SEALS

ROD U-SEALS

Part Number	A Nom. ID	B Nom. OD	C Nom. Ht	D GROOVE WIDTH	E ROD DIAMETER	G HOUSING DIAMETER	List Price
MRTS-56X66X6.5	56	66	6.5	7.50 ^{+0.20} / _{+0.00}	56.00 ^{-0.030} / _{-0.076}	66.00 ^{+0.12} / _{+0.00}	35.95
MRTS-56X71X11.5	56	71	11.5	12.50 ^{+0.20} / _{+0.00}	56.00 ^{-0.030} / _{-0.076}	71.00 ± 0.06	18.70
MRTS-60X68X8	60	68	8	9.00 ^{+0.20} / _{+0.00}	60.00 ^{-0.030} / _{-0.076}	68.00 ± 0.06	18.70
MUTS-60X68X8	60	68	8	9.00 ^{+0.20} / _{+0.00}	60.00 ^{-0.030} / _{-0.076}	68.00 ^{+0.12} / _{+0.00}	19.13
MRTS-60X68X11.5	60	68	11.5	12.50 ^{+0.20} / _{+0.00}	60.00 ^{-0.030} / _{-0.076}	68.00 ± 0.06	19.04
MRTS-60X70X7	60	70	7	8.00 ^{+0.25} / _{+0.00}	60.00 ^{-0.03} / _{-0.06}	70.00 ^{+0.12} / _{+0.00}	9.07
MUTS-60X70X7.2	60	70	7.2	8.00 ^{+0.20} / _{+0.00}	60.00 ^{-0.030} / _{-0.076}	70.00 ^{+0.12} / _{+0.00}	16.39
MRTS-60X70X11.5	60	70	11.5	12.50 ^{+0.20} / _{+0.00}	60.00 ^{-0.030} / _{-0.076}	70.00 ± 0.06	16.23
MUTS-60X70X12	60	70	12	13.00 ^{+0.20} / _{+0.00}	60.00 ^{-0.030} / _{-0.076}	70.00 ^{+0.12} / _{+0.00}	17.56
MRTS-60X72X9	60	72	9	10.00 ^{+0.20} / _{+0.00}	60.00 ^{-0.030} / _{-0.076}	72.00 ± 0.06	18.70
MRTS-60X75X10	60	75	10	11.00 ^{+0.20} / _{+0.00}	60.00 ^{-0.030} / _{-0.076}	75.00 ± 0.06	24.85
MRTS-70X78X8	70	78	8	9.00 ^{+0.20} / _{+0.00}	70.00 ^{-0.030} / _{-0.076}	78.00 ± 0.06	31.75
MRTS-70X80X6.5	70	80	6.5	7.50 ^{+0.20} / _{+0.00}	70.00 ^{-0.030} / _{-0.076}	80.00 ^{+0.12} / _{+0.00}	28.18
MRTS-70X80X10	70	80	10	11.00 ^{+0.20} / _{+0.00}	70.00 ^{-0.030} / _{-0.076}	80.00 ± 0.06	19.27
MRTS-70X85X11.5	70	85	11.5	12.50 ^{+0.20} / _{+0.00}	70.00 ^{-0.030} / _{-0.076}	85.00 ^{+0.14} / _{+0.00}	20.72
MRTSB-70X85X12	70	85	12	13.00 ^{+0.20} / _{+0.00}	70.00 ^{-0.030} / _{-0.076}	85.00 ± 0.07	17.40
MRTS-75X83X8	75	83	8	9.00 ^{+0.20} / _{+0.00}	75.00 ^{-0.030} / _{-0.076}	83.00 ± 0.07	18.29
MRTS-75X85X7	75	85	7	7.50 ^{+0.20} / _{+0.00}	75.00 ^{-0.030} / _{-0.076}	85.00 ± 0.07	20.65
MRTS-75X90X10.5	75	90	10.5	11.50 ^{+0.20} / _{+0.00}	75.00 ^{-0.030} / _{-0.076}	90.00 ± 0.07	20.78
MRTS-80X88X8	80	88	8	9.00 ^{+0.20} / _{+0.00}	80.00 ^{-0.030} / _{-0.076}	88.00 ± 0.07	35.71
MRTS-80X92X9	80	92	9	10.00 ^{+0.20} / _{+0.00}	80.00 ^{-0.030} / _{-0.076}	92.00 ± 0.07	20.28
MRTS-80X95X11	80	95	11	12.00 ^{+0.20} / _{+0.00}	80.00 ^{-0.030} / _{-0.076}	95.00 ± 0.07	20.60
MRTSB-80X95X11.5	80	95	11.5	12.50 ^{+0.20} / _{+0.00}	80.00 ^{-0.030} / _{-0.076}	95.00 ± 0.07	17.73
MRTS-80X96X9.5	80	96	9.5	10.50 ^{+0.20} / _{+0.00}	80.00 ^{-0.030} / _{-0.076}	96.00 ± 0.07	18.50
MRTS-85X93X8	85	93	8	9.00 ^{+0.20} / _{+0.00}	85.00 ^{-0.036} / _{-0.090}	93.00 ± 0.07	21.58
MRTS-90X102X9	90	102	9	10.00 ^{+0.20} / _{+0.00}	90.00 ^{-0.036} / _{-0.090}	102.00 ± 0.07	21.25
MRTS-90X105X11.5	90	105	11.5	12.50 ^{+0.20} / _{+0.00}	90.00 ^{-0.036} / _{-0.090}	105.00 ± 0.07	20.88
MRTS-100X108X8	100	108	8	9.00 ^{+0.20} / _{+0.00}	100.00 ^{-0.036} / _{-0.090}	108.00 ± 0.07	55.77
MRTS-100X115X12	100	115	12	13.00 ^{+0.20} / _{+0.00}	100.00 ^{-0.036} / _{-0.090}	115.00 ± 0.07	25.67
MRTS-110X120X11.5	110	120	11.5	12.50 ^{+0.20} / _{+0.00}	110.00 ^{-0.036} / _{-0.090}	120.00 ± 0.07	23.95
MRTS-110X125X11.3	110	125	11.3	12.30 ^{+0.20} / _{+0.00}	110.00 ^{-0.036} / _{-0.090}	125.00 ± 0.08	25.50
MRTSB-110X125X12	110	125	12	13.00 ^{+0.25} / _{+0.00}	110.00 ^{-0.036} / _{-0.071}	125.00 ^{+0.16} / _{+0.00}	25.19
MRTSB-115X130X15	115	130	15	16.00 ^{+0.20} / _{+0.00}	115.00 ^{-0.036} / _{-0.090}	130.00 ± 0.08	27.36

STYLE MRTS, MUTS & MRTSB ROD U-SEALS



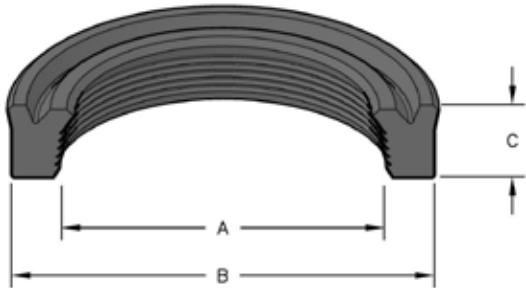
Part Number	A Nom. ID	B Nom. OD	C Nom. Ht	D GROOVE WIDTH	E ROD DIAMETER	G HOUSING DIAMETER	List Price
MRTS-120X128X8	120	128	8	9.00 ^{+0.20} / _{+0.00}	120.00 ^{-0.036} / _{-0.090}	128.00 ±0.08	26.32

ROD U-SEALS

Seal color may vary. Special order sizes are available. Sizes not shown and out of stock items can also be ordered for next day delivery through Seals On Demand, our custom seal program. Please call your regional sales team for assistance.

STYLE MRU-LF ROD U-SEALS

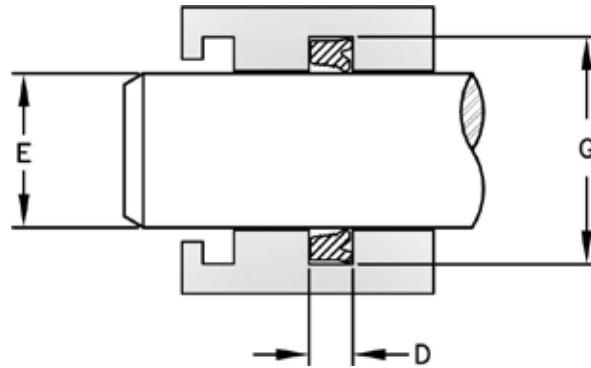
Style MRU-LF rod seal is ideal in situations that require a low friction seal. This style seal reduces stick-slip, while maintaining excellent static and dynamic performance.



HERCULES PART NUMBERS

MRU - 22 x 30 x 5.7-LF
 Type of Seal Inside Diameter Outside Diameter Height

SEAL INFORMATION	
MATERIAL	94 A POLYURETHANE
TEMPERATURE RANGE	-22° TO +230° F
PRESSURE RANGE	0 TO 4,600 PSI
SPEED	2 FT/SEC



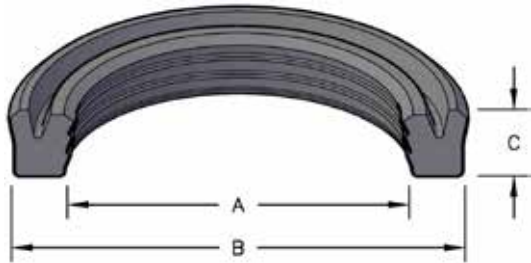
ROD U-SEALS

Part Number	A Nom. ID	B Nom. OD	C Nom. Ht	D GROOVE WIDTH	E ROD DIAMETER	G HOUSING DIAMETER	List Price
MRU-22X30X5.7-LF	22	30	5.7	6.30 +0.20 +0.00	22.00 -0.020 -0.053	30.00 +0.13 +0.00	\$17.99
MRU-28X38X7.3-LF	28	38	7.3	8.00 +0.30 +0.00	28.00 -0.020 -0.053	38.00 +0.16 +0.00	21.08
MRU-30X40X7.3-LF	30	40	7.3	8.00 +0.30 +0.00	30.00 -0.020 -0.053	40.00 +0.16 +0.00	21.08
MRU-32X42X7.3-LF	32	42	7.3	8.00 +0.30 +0.00	32.00 -0.025 -0.064	42.00 +0.16 +0.00	21.87
MRU-40X50X7.3-LF	40	50	7.3	8.00 +0.30 +0.00	40.00 -0.025 -0.064	50.00 +0.16 +0.00	22.96
MRU-45X55X7.3-LF	45	55	7.3	8.00 +0.30 +0.00	45.00 -0.025 -0.064	55.00 +0.19 +0.00	26.69
MRU-48X58X7.3-LF	48	58	7.3	8.00 +0.30 +0.00	48.00 -0.025 -0.064	58.00 +0.19 +0.00	30.87
MRU-50X60X7.3-LF	50	60	7.3	8.00 +0.30 +0.00	50.00 -0.025 -0.064	60.00 +0.19 +0.00	29.17
MRU-55X65X7.3-LF	55	65	7.3	8.00 +0.30 +0.00	55.00 -0.030 -0.076	65.00 +0.19 +0.00	36.64
MRU-60X70X7.3-LF	60	70	7.3	8.00 +0.30 +0.00	60.00 -0.030 -0.076	70.00 +0.19 +0.00	32.26
MRU-70X80X7.3-LF	70	80	7.3	8.00 +0.30 +0.00	70.00 -0.030 -0.076	80.00 +0.19 +0.00	33.02

STYLE MHMU ROD U-SEALS



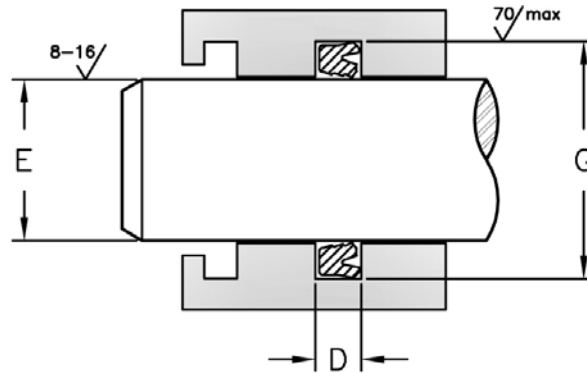
The MHMU style multi-lip rod u-seal combines the pressure-compensating, uni-directional characteristics of a u-seal with the multi-lip sealing effectiveness of compression-type stacked packings. Made from premium materials, the MHMU utilizes several sealing lip edges for dry rod performance while minimizing friction. The multi-lip design maintains a critical sealing edge even though increasing pressure moves the line of contact down toward the heel.



HERCULES PART NUMBERS

MHMu - 12 x 19 x 5
 Type of Seal | Inside Diameter | Outside Diameter | Height

SEAL INFORMATION	
MATERIAL	URETHANE
TEMPERATURE RANGE	-50 TO +230° F
PRESSURE RANGE	0 TO 5,000 PSI
SPEED	3 FT/SEC

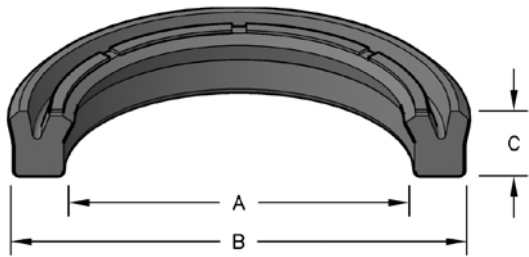


ROD U-SEALS

Part Number	A Nom. ID	B Nom. OD	C Nom. Ht	D GROOVE WIDTH	E ROD DIAMETER	G HOUSING DIAMETER	List Price
MHMu-12X19X5U	12	19	5	5.60 +0.25 +0.00	12.00 -0.016 -0.059	19.00 ±0.065	\$ 15.00
MHMu-14X21X5U	14	21	5	5.60 +0.25 +0.00	14.00 -0.016 -0.059	21.00 ±0.065	15.00
MHMu-18X25X5U	18	25	5	5.60 +0.25 +0.00	18.00 -0.016 -0.059	25.00 ±0.065	15.22
MHMu-22X29X5U	22	29	5	5.60 +0.25 +0.00	22.00 -0.020 -0.072	29.00 ±0.065	15.22
MHMu-28X36X5.7U	28	36	5.7	6.30 +0.25 +0.00	28.00 -0.020 -0.072	36.00 ±0.08	15.33
MHMu-36X44X5.7U	36	44	5.7	6.30 +0.25 +0.00	36.00 -0.025 -0.087	44.00 ±0.08	15.33
MHMu-45X53X5.7U	45	53	5.7	6.30 +0.25 +0.00	45.00 -0.025 -0.087	53.00 ±0.095	15.52
MHMu-56X66X6.5U	56	66	6.5	7.50 +0.25 +0.00	56.00 -0.030 -0.104	66.00 ±0.095	15.99
MHMu-70X80X6.5U	70	80	6.5	7.50 +0.25 +0.00	70.00 -0.030 -0.104	80.00 ±0.095	16.30
MHMu-90X100X6.5U	90	100	6.5	7.50 +0.25 +0.00	90.00 -0.036 -0.123	100.00 ±0.11	26.67
MHMu-110X125X9.6U	110	125	9.6	10.60 +0.25 +0.00	110.00 -0.036 -0.123	125.00 ±0.125	38.62
MHMu-140X155X9.6U	140	155	9.6	10.60 +0.25 +0.00	140.00 -0.043 -0.143	155.00 ±0.125	45.93

STYLE MRUN ROD U-SEALS

The MRUN Rod U-seal is designed with improved oil resistance and compression set versus urethane seals. The addition of a u-seal back-up ring will increase the pressure range of the seal from 2,000 psi to 3,000 psi.



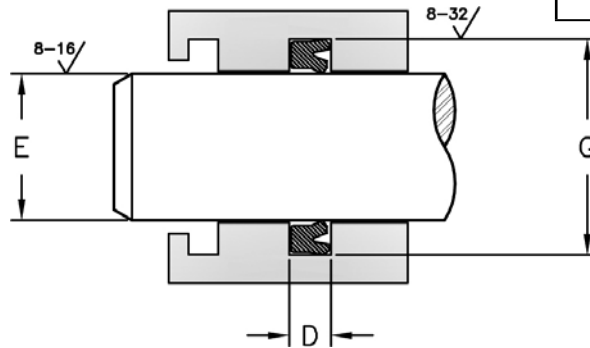
HERCULES PART NUMBERS

MRUN - 20 X 28 X 5-LT

Type of Seal Rod Diameter Groove Diameter Height

A = ALTERNATIVE TO NOK
HT = HIGH TEMPERATURE NITRILE (-13° F TO +248° F)
LT = LOW TEMPERATURE NITRILE (-67° F TO +176° F)

SEAL INFORMATION	
MATERIAL	NITRILE
TEMPERATURE RANGE	-8° F TO +212° F
PRESSURE RANGE	0 TO 2,000 psi W/O BACK-UP 0 TO 3,000 psi W/ BACK-UP
SPEED	3 FT/SEC



ROD U-SEALS

Part Number	A Nom. ID	B Nom. OD	C Nom. Ht	D GROOVE WIDTH	E ROD DIAMETER	G HOUSING DIAMETER	List Price
MRUN-20X28X5-LT	20	28	5	5.70 ±0.20	20.00 -0.020 -0.053	28.00 +0.00 -0.20	\$49.14
MRUN-22.4X30.4X5	22.4	30.4	5	5.70 ±0.20	22.40 -0.020 -0.053	30.40 +0.00 -0.20	25.96
MRUN-25X33X5	25	33	5	5.70 ±0.20	25.00 -0.020 -0.053	33.00 +0.00 -0.20	18.77
MRUN-30X40X6	30	40	6	7.00 ±0.20	30.00 -0.020 -0.053	40.00 +0.00 -0.20	29.82
MRUN-30X40X7	30	40	7	8.00 ±0.20	30.00 -0.020 -0.053	40.00 +0.00 -0.20	31.05
MRUN-32X42X6	32	42	6	7.00 ±0.20	32.00 -0.025 -0.064	42.00 +0.00 -0.20	51.05
MRUN-35X45X6	35	45	6	7.00 ±0.20	35.00 -0.025 -0.064	45.00 +0.00 -0.20	43.36
MRUN-35X45X7	35	45	7	8.00 ±0.20	35.00 -0.025 -0.064	45.00 +0.00 -0.20	20.64
MRUN-40X50X6	40	50	6	7.00 ±0.20	40.00 -0.025 -0.064	50.00 +0.00 -0.20	37.81
MRUN-40X50X7	40	50	7	8.00 ±0.20	40.00 -0.025 -0.064	50.00 +0.00 -0.20	48.14
MRUN-40X50X8	40	50	8	9.00 ±0.20	40.00 -0.025 -0.064	50.00 +0.00 -0.20	56.87
MRUN-45X55X6	45	55	6	7.00 ±0.20	45.00 -0.025 -0.064	55.00 +0.00 -0.20	31.52
MRUN-45X55X7	45	55	7	8.00 ±0.20	45.00 -0.025 -0.064	55.00 +0.00 -0.20	32.08
MRUN-45X56X7	45	56	7	8.00 ±0.20	45.00 -0.025 -0.064	56.00 +0.00 -0.20	32.33
MRUN-50X60X6	50	60	6	7.00 ±0.20	50.00 -0.025 -0.064	60.00 +0.00 -0.20	26.39

STYLE MRUN ROD U-SEALS



ROD U-SEALS

Part Number	A Nom. ID	B Nom. OD	C Nom. Ht	D GROOVE WIDTH	E ROD DIAMETER	G HOUSING DIAMETER	List Price
MRUN-50X63X8	50	63	8	9.00 ±0.20	50.00 ^{-0.025} _{-0.064}	63.00 ^{+0.00} _{-0.20}	58.79
MRUN-50X63X10	50	63	10	11.00 ±0.20	50.00 ^{-0.025} _{-0.064}	63.00 ^{+0.00} _{-0.20}	34.20
MRUN-55X65X6	55	65	6	7.00 ±0.20	55.00 ^{-0.030} _{-0.076}	65.00 ^{+0.00} _{-0.20}	26.39
MRUN-55X65X6.5-HT	55	65	6.5	7.50 ±0.20	55.00 ^{-0.030} _{-0.076}	65.00 ^{+0.00} _{-0.20}	35.71
MRUN-55X68X10	55	68	10	11.00 ±0.20	55.00 ^{-0.030} _{-0.076}	68.00 ^{+0.00} _{-0.20}	51.77
MRUN-55X68X10-HT	55	68	10	11.00 ±0.20	55.00 ^{-0.030} _{-0.076}	68.00 ^{+0.00} _{-0.20}	41.01
MRUN-56X66X6	56	66	6	7.00 ±0.20	56.00 ^{-0.030} _{-0.076}	66.00 ^{+0.00} _{-0.20}	24.46
MRUN-60X70X6	60	70	6	7.00 ±0.20	60.00 ^{-0.030} _{-0.076}	70.00 ^{+0.00} _{-0.20}	29.25
MRUN-60X70X6-HT	60	70	6	7.00 ±0.20	60.00 ^{-0.030} _{-0.076}	70.00 ^{+0.00} _{-0.20}	56.97
MRUN-60X73X10	60	73	10	11.00 ±0.20	60.00 ^{-0.030} _{-0.076}	73.00 ^{+0.00} _{-0.20}	38.54
MRUN-60X73X10-HT	60	73	10	11.00 ±0.20	60.00 ^{-0.030} _{-0.076}	73.00 ^{+0.00} _{-0.20}	47.25
MRUN-65X78X10	65	78	10	11.00 ±0.20	65.00 ^{-0.030} _{-0.076}	78.00 ^{+0.00} _{-0.20}	42.20
MRUN-65X78X10-HT	65	78	10	11.00 ±0.20	65.00 ^{-0.030} _{-0.076}	78.00 ^{+0.00} _{-0.20}	59.32
MRUN-70X80X6	70	80	6	7.00 ±0.20	70.00 ^{-0.030} _{-0.076}	80.00 ^{+0.00} _{-0.20}	28.83
MRUN-70X83X10	70	83	10	11.00 ±0.20	70.00 ^{-0.030} _{-0.076}	83.00 ^{+0.00} _{-0.20}	58.89
MRUN-70X83X10-HT	70	83	10	11.00 ±0.20	70.00 ^{-0.030} _{-0.076}	83.00 ^{+0.00} _{-0.20}	70.43
MRUN-70X83X10-LT	70	83	10	11.00 ±0.20	70.00 ^{-0.030} _{-0.076}	83.00 ^{+0.00} _{-0.20}	54.70
MRUN-70X85X9	70	85	9	10.00 ±0.20	70.00 ^{-0.030} _{-0.076}	85.00 ^{+0.00} _{-0.20}	33.08
MRUN-70X85X9-HT	70	85	9	10.00 ±0.20	70.00 ^{-0.030} _{-0.076}	85.00 ^{+0.00} _{-0.20}	50.69
MRUN-75X88X10	75	88	10	11.00 ±0.20	75.00 ^{-0.030} _{-0.076}	88.00 ^{+0.00} _{-0.20}	34.25
MRUN-75X88X10-A	75	88	10	11.00 ±0.20	75.00 ^{-0.030} _{-0.076}	88.00 ^{+0.00} _{-0.20}	14.59
MRUN-75X88X10-HT	75	88	10	11.00 ±0.20	75.00 ^{-0.030} _{-0.076}	88.00 ^{+0.00} _{-0.20}	62.29
MRUN-75X90X9-HT	75	90	9	10.00 ±0.20	75.00 ^{-0.030} _{-0.076}	90.00 ^{+0.00} _{-0.20}	63.48
MRUN-80X93X10	80	93	10	11.00 ±0.20	80.00 ^{-0.030} _{-0.076}	93.00 ^{+0.00} _{-0.20}	51.40
MRUN-80X93X10-A	80	93	10	11.00 ±0.20	80.00 ^{-0.030} _{-0.076}	93.00 ^{+0.00} _{-0.20}	15.40
MRUN-80X93X10-HT	80	93	10	11.00 ±0.20	80.00 ^{-0.030} _{-0.076}	93.00 ^{+0.00} _{-0.20}	51.53
MRUN-80X95X9	80	95	9	10.00 ±0.20	80.00 ^{-0.030} _{-0.076}	95.00 ^{+0.00} _{-0.20}	53.60
MRUN-80X95X9-HT	80	95	9	10.00 ±0.20	80.00 ^{-0.030} _{-0.076}	95.00 ^{+0.00} _{-0.20}	82.95
MRUN-85X100X9-HT	85	100	9	10.00 ±0.20	85.00 ^{-0.036} _{-0.090}	100.00 ^{+0.00} _{-0.20}	60.86
MRUN-85X100X10	85	100	10	11.00 ±0.20	85.00 ^{-0.036} _{-0.090}	100.00 ^{+0.00} _{-0.20}	56.72
MRUN-85X100X10-A	85	100	10	11.00 ±0.20	85.00 ^{-0.036} _{-0.090}	100.00 ^{+0.00} _{-0.20}	17.73
MRUN-85X100X10-HT-A	85	100	10	11.00 ±0.20	85.00 ^{-0.036} _{-0.090}	100.00 ^{+0.00} _{-0.20}	73.90
MRUN-85X105X12-HT	85	105	12	13.00 ±0.20	85.00 ^{-0.036} _{-0.090}	105.00 ^{+0.00} _{-0.20}	88.12

STYLE MRUN ROD U-SEALS

ROD U-SEALS

Part Number	A Nom. ID	B Nom. OD	C Nom. Ht	D GROOVE WIDTH	E ROD DIAMETER	G HOUSING DIAMETER	List Price
MRUN-90X105X9	90	105	9	10.00 ±0.20	90.00 ^{-0.036} _{-0.090}	105.00 ^{+0.00} _{-0.20}	37.97
MRUN-90X105X10	90	105	10	11.00 ±0.20	90.00 ^{-0.036} _{-0.090}	105.00 ^{+0.00} _{-0.20}	46.01
MRUN-90X105X10-A	90	105	10	11.00 ±0.20	90.00 ^{-0.036} _{-0.090}	105.00 ^{+0.00} _{-0.20}	18.66
MRUN-90X105X10-HT	90	105	10	11.00 ±0.20	90.00 ^{-0.036} _{-0.090}	105.00 ^{+0.00} _{-0.20}	101.40
MRUN-90X110X12	90	110	12	13.00 ±0.20	90.00 ^{-0.036} _{-0.090}	110.00 ^{+0.00} _{-0.20}	76.83
MRUN-95X110X9	95	110	9	10.00 ±0.20	95.00 ^{-0.036} _{-0.090}	110.00 ^{+0.00} _{-0.20}	38.05
MRUN-95X110X9-HT	95	110	9	10.00 ^{-0.80} _{-0.20}	95.00 ^{-0.036} _{-0.090}	110.00 ^{+0.00} _{-0.20}	106.56
MRUN-95X110X10-A	95	110	10	11.00 ±0.20	95.00 ^{-0.036} _{-0.090}	110.00 ^{+0.00} _{-0.20}	19.58
MRUN-95X110X10-HT-A	95	110	10	11.00 ±0.20	95.00 ^{-0.036} _{-0.090}	110.00 ^{+0.00} _{-0.20}	118.27
MRUN-95X110X10.5	95	110	10.5	11.50 ±0.20	95.00 ^{-0.036} _{-0.090}	110.00 ^{+0.00} _{-0.20}	49.51
MRUN-95X115X12	95	115	12	13.00 ±0.20	95.00 ^{-0.036} _{-0.090}	115.00 ^{+0.00} _{-0.20}	74.27
MRUN-100X115X9	100	115	9	10.00 ±0.20	100.00 ^{-0.036} _{-0.090}	115.00 ^{+0.00} _{-0.20}	58.62
MRUN-100X115X10	100	115	10	11.00 ±0.20	100.00 ^{-0.036} _{-0.090}	115.00 ^{+0.00} _{-0.20}	39.89
MRUN-100X115X10-HT-A	100	115	10	11.00 ±0.20	100.00 ^{-0.036} _{-0.090}	115.00 ^{+0.00} _{-0.20}	84.09
MRUN-100X120X12-HT	100	120	12	13.00 ±0.20	100.00 ^{-0.036} _{-0.090}	120.00 ^{+0.00} _{-0.20}	113.08
MRUN-105X120X9	105	120	9	10.00 ±0.20	105.00 ^{-0.036} _{-0.090}	120.00 ^{+0.00} _{-0.20}	122.75
MRUN-105X120X10	105	120	10	11.00 ±0.20	105.00 ^{-0.036} _{-0.090}	120.00 ^{+0.00} _{-0.20}	78.36
MRUN-105X125X15	105	125	15	16.00 ±0.20	105.00 ^{-0.036} _{-0.090}	125.00 ^{+0.00} _{-0.20}	85.82
MRUN-110X125X9	110	125	9	10.00 ±0.20	110.00 ^{-0.036} _{-0.090}	125.00 ^{+0.00} _{-0.20}	49.79
MRUN-110X125X10	110	125	10	11.00 ±0.20	110.00 ^{-0.036} _{-0.090}	125.00 ^{+0.00} _{-0.20}	51.72
MRUN-110X125X10-LT	110	125	10	11.00 ±0.20	110.00 ^{-0.036} _{-0.090}	125.00 ^{+0.00} _{-0.20}	155.22
MRUN-110X130X10	110	130	10	11.00 ±0.20	110.00 ^{-0.036} _{-0.090}	130.00 ^{+0.00} _{-0.20}	70.82
MRUN-110X130X10-A	110	130	10	11.00 ±0.20	110.00 ^{-0.036} _{-0.090}	130.00 ^{+0.00} _{-0.20}	27.51
MRUN-110X130X15-HT	110	130	15	16.00 ±0.20	110.00 ^{-0.036} _{-0.090}	130.00 ^{+0.00} _{-0.20}	96.76
MRUN-115X130X9	115	130	9	10.00 ±0.20	115.00 ^{-0.036} _{-0.090}	130.00 ^{+0.00} _{-0.20}	70.43
MRUN-115X130X10	115	130	10	11.00 ±0.20	115.00 ^{-0.036} _{-0.090}	130.00 ^{+0.00} _{-0.20}	117.91
MRUN-115X130X10-LT	115	130	10	11.00 ±0.20	115.00 ^{-0.036} _{-0.090}	130.00 ^{+0.00} _{-0.20}	173.14
MRUN-115X135X12	115	135	12	13.00 ±0.20	115.00 ^{-0.036} _{-0.090}	135.00 ^{+0.00} _{-0.20}	147.84
MRUN-115X135X12-HT	115	135	12	13.00 ±0.20	115.00 ^{-0.036} _{-0.090}	135.00 ^{+0.00} _{-0.20}	94.11
MRUN-115X135X16-HT	115	135	16	17.00 ±0.20	115.00 ^{-0.036} _{-0.090}	135.00 ^{+0.00} _{-0.20}	161.73
MRUN-120X140X10	120	140	10	11.00 ±0.20	120.00 ^{-0.036} _{-0.090}	140.00 ^{+0.00} _{-0.20}	85.09
MRUN-120X140X12-HT	120	140	12	13.00 ±0.20	120.00 ^{-0.036} _{-0.090}	140.00 ^{+0.00} _{-0.20}	135.57
MRUN-125X140X9	125	140	9	10.00 ±0.20	125.00 ^{-0.043} _{-0.106}	140.00 ^{+0.00} _{-0.20}	60.28

STYLE MRUN ROD U-SEALS

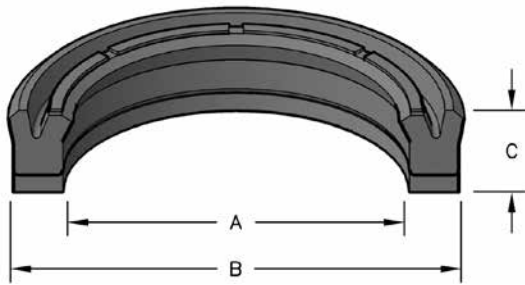


Part Number	A Nom. ID	B Nom. OD	C Nom. Ht	D GROOVE WIDTH	E ROD DIAMETER	G HOUSING DIAMETER	List Price
MRUN-125X145X12	125	145	12	13.00 ±0.20	125.00 ^{-0.043} _{-0.106}	145.00 ^{+0.00} _{-0.20}	141.87
MRUN-125X145X12-HT	125	145	12	13.00 ±0.20	125.00 ^{-0.043} _{-0.106}	145.00 ^{+0.00} _{-0.20}	105.82
MRUN-130X145X10	130	145	10	11.00 ±0.20	130.00 ^{-0.043} _{-0.106}	145.00 ^{+0.00} _{-0.20}	291.19
MRUN-130X150X12	130	150	12	13.00 ±0.20	130.00 ^{-0.043} _{-0.106}	150.00 ^{+0.00} _{-0.20}	99.75
MRUN-130X150X12-HT	130	150	12	13.00 ±0.20	130.00 ^{-0.043} _{-0.106}	150.00 ^{+0.00} _{-0.20}	204.43
MRUN-140X155X10	140	155	10	11.00 ±0.20	140.00 ^{-0.043} _{-0.106}	155.00 ^{+0.00} _{-0.20}	183.52
MRUN-140X155X10-HT-A	140	155	10	11.00 ±0.20	140.00 ^{-0.043} _{-0.106}	155.00 ^{+0.00} _{-0.20}	146.81
MRUN-140X160X12	140	160	12	13.00 ±0.20	140.00 ^{-0.043} _{-0.106}	160.00 ^{+0.00} _{-0.20}	97.86
MRUN-145X160X10	145	160	10	11.00 ±0.20	145.00 ^{-0.043} _{-0.106}	160.00 ^{+0.00} _{-0.20}	152.58
MRUN-150X165X9	150	165	9	10.00 ±0.20	150.00 ^{-0.043} _{-0.106}	165.00 ^{+0.00} _{-0.20}	129.05
MRUN-150X165X10	150	165	10	11.00 ±0.20	150.00 ^{-0.043} _{-0.106}	165.00 ^{+0.00} _{-0.20}	298.42
MRUN-150X170X12-HT	150	170	12	13.00 ±0.20	150.00 ^{-0.043} _{-0.106}	170.00 ^{+0.00} _{-0.20}	201.09
MRUN-160X180X12	160	180	12	13.00 ±0.20	160.00 ^{-0.043} _{-0.106}	180.00 ^{+0.00} _{-0.20}	191.01
MRUN-160X180X12-HT	160	180	12	13.00 ±0.20	160.00 ^{-0.043} _{-0.106}	180.00 ^{+0.00} _{-0.20}	126.71
MRUN-170X195X15.5	170	195	15.5	16.50 ±0.20	170.00 ^{-0.043} _{-0.106}	195.00 ^{+0.00} _{-0.20}	188.40
MRUN-180X205X15.5-HT	180	205	15.5	16.50 ±0.20	180.00 ^{-0.043} _{-0.106}	205.00 ^{+0.00} _{-0.20}	205.36
MRUN-190X215X16	190	215	16	17.00 ±0.20	190.00 ^{-0.050} _{-0.122}	215.00 ^{+0.00} _{-0.20}	211.05
MRUN-200X225X16	200	225	16	17.00 ±0.20	200.00 ^{-0.050} _{-0.122}	225.00 ^{+0.00} _{-0.20}	212.92

ROD U-SEALS

STYLE MRUNB ROD U-SEAL WITH BACK-UP RINGS

The MRUNB Rod U-seal is designed to prevent extrusion damage. The addition of the u-seal back-up ring increases the pressure range of the seal from 2,000 psi to 3,000 psi.

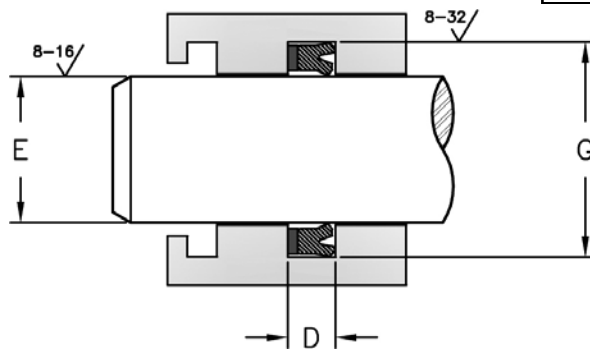


HERCULES PART NUMBERS

MRUNB - 20 x 28 x 7-LT

Type of Seal Inside Diameter Outside Diameter Height

HT = High Temperature Nitrile
LT = Low Temperature Nitrile
U = Urethane Back-Up Ring



SEAL INFORMATION

MATERIAL	NITRILE AND PTFE
TEMPERATURE RANGE	-13° F TO +212° F
PRESSURE RANGE	0 TO 3,000 PSI
SPEED	3 FT/SEC

ROD U-SEALS

Part Number	A Nom. ID	B Nom. OD	C Nom. Ht	D GROOVE WIDTH	E ROD DIAMETER	G HOUSING DIAMETER	List Price
MRUNB-20X28X7-LT	20	28	7	8.00 ±0.20	20.00 ^{-0.020} / _{-0.053}	28.00 ^{+0.00} / _{-0.20}	\$73.63
MRUNB-25X33X7	25	33	7	7.70 ^{+0.20} / _{+0.00}	25.00 ^{-0.020} / _{-0.053}	33.00 ^{+0.00} / _{-0.20}	30.17
MRUNB-30X40X10	30	40	10	11.00 ±0.20	30.00 ^{-0.020} / _{-0.053}	40.00 ^{+0.00} / _{-0.20}	42.53
MRUNB-40X50X10	40	50	10	11.00 ±0.20	40.00 ^{-0.025} / _{-0.064}	50.00 ^{+0.00} / _{-0.20}	39.54
MRUNB-40X50X10-HT	40	50	10	11.00 ±0.20	40.00 ^{-0.025} / _{-0.064}	50.00 ^{+0.00} / _{-0.20}	42.55
MRUNB-45X55X10	45	55	10	11.00 ^{+0.20} / _{+0.00}	45.00 ^{-0.025} / _{-0.064}	55.00 ^{+0.00} / _{-0.20}	74.89
MRUNB-45X55X10U	45	55	10	11.00 ±0.20	45.00 ^{-0.025} / _{-0.064}	55.00 ^{+0.00} / _{-0.20}	48.49
MRUNB-45X56X10	45	56	10	11.00 ±0.20	45.00 ^{-0.025} / _{-0.064}	56.00 ^{+0.00} / _{-0.20}	56.87
MRUNB-50X60X9.5	50	60	9.5	10.50 ±0.20	50.00 ^{-0.025} / _{-0.064}	60.00 ^{+0.00} / _{-0.20}	29.04
MRUNB-50X63X13	50	63	13	14.00 ±0.20	50.00 ^{-0.025} / _{-0.064}	63.00 ^{+0.00} / _{-0.20}	62.90
MRUNB-50X63X13U	50	63	13	14.00 ±0.20	50.00 ^{-0.025} / _{-0.064}	63.00 ^{+0.00} / _{-0.20}	52.87
MRUNB-55X65X9.5-HT	55	65	9.5	10.50 ±0.20	55.00 ^{-0.030} / _{-0.076}	65.00 ^{+0.00} / _{-0.20}	51.03
MRUNB-55X68X13	55	68	13	14.00 ±0.20	55.00 ^{-0.030} / _{-0.076}	68.00 ^{+0.00} / _{-0.20}	71.27
MRUNB-60X73X13	60	73	13	14.00 ±0.20	60.00 ^{-0.030} / _{-0.076}	73.00 ^{+0.00} / _{-0.20}	60.16
MRUNB-60X73X13U-HT	60	73	13	14.00 ±0.20	60.00 ^{-0.030} / _{-0.076}	73.00 ^{+0.00} / _{-0.20}	67.16
MRUNB-65X78X13	65	78	13	14.00 ±0.20	65.00 ^{-0.030} / _{-0.076}	78.00 ^{+0.00} / _{-0.20}	61.32

Seal color may vary. Special order sizes are available. Sizes not shown and out of stock items can also be ordered for next day delivery through Seals On Demand, our custom seal program. Please call your regional sales team for assistance.

STYLE MRUNB ROD U-SEAL WITH BACK-UP RINGS

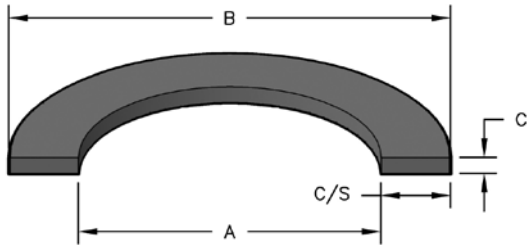


Part Number	A Nom. ID	B Nom. OD	C Nom. Ht	D GROOVE WIDTH	E ROD DIAMETER	G HOUSING DIAMETER	List Price
MRUNB-65X78X13U-HT	65	78	13	14.00 ±0.20	65.00 ^{-0.030} _{-0.076}	78.00 ^{+0.00} _{-0.20}	72.01
MRUNB-70X83X13	70	83	13	14.00 ±0.20	70.00 ^{-0.030} _{-0.076}	83.00 ^{+0.00} _{-0.20}	64.25
MRUNB-70X83X13-LT	70	83	13	14.00 ±0.20	70.00 ^{-0.030} _{-0.076}	83.00 ^{+0.00} _{-0.20}	71.79
MRUNB-70X83X13U-HT	70	83	13	14.00 ±0.20	70.00 ^{-0.030} _{-0.076}	83.00 ^{+0.00} _{-0.20}	76.96
MRUNB-75X88X13	75	88	13	14.00 ±0.20	75.00 ^{-0.030} _{-0.076}	88.00 ^{+0.00} _{-0.20}	69.43
MRUNB-80X93X13	80	93	13	14.00 ±0.20	80.00 ^{-0.030} _{-0.076}	93.00 ^{+0.00} _{-0.20}	71.69
MRUNB-80X93X13U-HT	80	93	13	14.00 ±0.20	80.00 ^{-0.030} _{-0.076}	93.00 ^{+0.00} _{-0.20}	37.83
MRUNB-85X100X13	85	100	13	14.00 ±0.20	85.00 ^{-0.036} _{-0.090}	100.00 ^{+0.00} _{-0.20}	77.39
MRUNB-85X100X13U-HT-A	85	100	13	14.00 ±0.20	85.00 ^{-0.036} _{-0.090}	100.00 ^{+0.00} _{-0.20}	83.28
MRUNB-90X105X13	90	105	13	14.00 ±0.20	90.00 ^{-0.036} _{-0.090}	105.00 ^{+0.00} _{-0.20}	82.33
MRUNB-90X105X13U-HT	90	105	13	14.00 ±0.20	90.00 ^{-0.036} _{-0.090}	105.00 ^{+0.00} _{-0.20}	107.57
MRUNB-95X110X13.5	95	110	13.5	14.50 ±0.20	95.00 ^{-0.036} _{-0.090}	110.00 ^{+0.00} _{-0.20}	85.96
MRUNB-95X110X13.5U	95	110	13.5	14.50 ±0.20	95.00 ^{-0.036} _{-0.090}	110.00 ^{+0.00} _{-0.20}	42.62
MRUNB-100X115X13	100	115	13	14.00 ±0.20	100.00 ^{-0.036} _{-0.090}	115.00 ^{+0.00} _{-0.20}	86.89
MRUNB-100X115X13U	100	115	13	14.00 ±0.20	100.00 ^{-0.036} _{-0.090}	115.00 ^{+0.00} _{-0.20}	44.41
MRUNB-110X130X13	110	130	13	14.00 ±0.20	110.00 ^{-0.036} _{-0.090}	130.00 ^{+0.00} _{-0.20}	112.23
MRUNB-110X130X15	110	130	15	16.00 ±0.20	110.00 ^{-0.036} _{-0.090}	130.00 ^{+0.00} _{-0.02}	55.07
MRUNB-115X135X15U-HT	115	135	15	16.00 ±0.20	115.00 ^{-0.036} _{-0.090}	135.00 ^{+0.00} _{-0.20}	116.27
MRUNB-115X135X16	115	135	16	17.00 ±0.20	115.00 ^{100.036} _{-0.090}	135.00 ^{+0.00} _{-0.20}	178.34
MRUNB-120X140X13	120	140	13	14.00 ±0.20	120.00 ^{-0.036} _{-0.090}	140.00 ^{+0.00} _{-0.20}	115.37
MRUNB-120X140X15U-HT	120	140	15	16.00 ±0.20	120.00 ^{-0.036} _{-0.090}	140.00 ^{+0.00} _{-0.20}	164.49
MRUNB-125X145X16-HT	125	145	16	17.00 ±0.20	125.00 ^{-0.043} _{-0.106}	145.00 ^{+0.00} _{-0.20}	163.07
MRUNB-130X150X16	130	150	16	17.00 ±0.20	130.00 ^{-0.043} _{-0.106}	150.00 ^{+0.00} _{-0.20}	170.50
MRUNB-130X150X16-HT	130	150	16	17.00 ±0.20	130.00 ^{-0.043} _{-0.106}	150.00 ^{+0.00} _{-0.20}	262.62
MRUNB-140X160X16	140	160	16	17.00 ±0.20	140.00 ^{-0.043} _{-0.106}	160.00 ^{+0.00} _{-0.20}	172.70
MRUNB-150X170X16-HT	150	170	16	17.00 ±0.20	150.00 ^{-0.043} _{-0.106}	170.00 ^{+0.00} _{-0.20}	270.21
MRUNB-160X180X16	160	180	16	17.00 ±0.20	160.00 ^{-0.043} _{-0.106}	180.00 ^{+0.00} _{-0.20}	289.74
MRUNB-160X180X16U-HT	160	180	16	17.00 ±0.20	160.00 ^{-0.043} _{-0.106}	180.00 ^{+0.00} _{-0.20}	226.48
MRUNB-170X195X19.5	170	195	19.5	20.50 ±0.20	170.00 ^{-0.043} _{-0.106}	195.00 ^{+0.00} _{-0.20}	264.68
MRUNB-180X205X19.5-HT	180	205	19.5	20.50 ±0.20	180.00 ^{-0.043} _{-0.106}	205.00 ^{+0.00} _{-0.20}	296.18
MRUNB-190X215X20	190	215	20	21.00 ±0.20	190.00 ^{-0.050} _{-0.122}	215.00 ^{+0.00} _{-0.20}	304.94
MRUNB-200X225X20	200	225	20	21.00 ±0.20	200.00 ^{-0.050} _{-0.122}	225.00 ^{+0.00} _{-0.20}	336.53

ROD U-SEALS

STYLE MBN U-SEAL BACK-UP RINGS

Hard nylon back-up rings for use with U-seals.



HERCULES PART NUMBERS

MBN - 75 X 2.5 X 2.5

Type of Seal: MBN
 Inside Diameter: 75
 Cross Section: 2.5
 Width: 2.5

SEAL INFORMATION

MATERIAL	NYLON
TEMPERATURE RANGE	-67° TO +212° F
PRESSURE RANGE	0 TO 5,000 PSI
SPEED	3 FT/SEC

U-SEAL BACK-UP RINGS

Part Number	A Nom. ID	B Nom. OD	C Nom. Ht	List Price
2.5mm C/S				
MBN-75X2.5X2.5	75	80	2.5	\$50.08
3mm C/S				
MBN-44X3X1.25	44	50	1.25	\$16.61
3.7mm C/S				
MBN-28X3.7X1.5	28	35.4	1.5	\$25.96
4mm C/S				
MBN-40X4X1.4	40	48	1.4	\$32.03
MBN-42X4X1.5	42	50	1.5	18.93
MBN-132X4X1.95S	132	140	1.95	40.46
4.2mm C/S				
MBH-81.2X4.2X1.8	81.2	89.6	1.8	\$24.61
4.75mm C/S				
MBN-201.2X4.75X2	201.2	210.7	2	\$117.44
4.8mm C/S				
MBN-125.2X1.9X4.8	125.2	135.7	1.9	\$36.67
MBH-191.1X4.8X1.9	191.1	200.7	1.9	133.60
5mm C/S				
MBN-25X5X2	25	35	2	\$11.07
MBN-30X5X3	30	40	3	13.95
MBN-35X5X1.8	35	45	1.8	22.64
MBH-40X5X1.35	40	50	1.35	3.17
MBN-40X5X1.5	40	50	1.5	20.48
MBN-40X5X2.5	40	50	2.5	32.59
MBH-45X5X1.35	45	55	1.35	3.97
MBH-50X5X1.35	50	60	1.35	4.44
MBN-50X5X1.6	50	60	1.6	7.52
MBN-50X5X1.9	50	60	1.9	11.47
MBN-70X5X1.9S	70	80	1.9	16.79
MBN-70X5X3	70	80	3	20.98
MBN-75X5X3	75	85	3	32.59
MBN-80X5X1.9S	80	90	1.9	42.57
MBN-80X5X3	80	90	3	31.91
MBN-90X5X1.9S	90	100	1.9	21.01
MBN-117X5X4	117	127	4	49.02
MBN-120X5X2	120	130	2	12.94
MBN-130X5X2	130	140	2	17.44
MBN-132X5X4	132	142	4	62.71
MBN-155X5X4	155	165	4	68.35

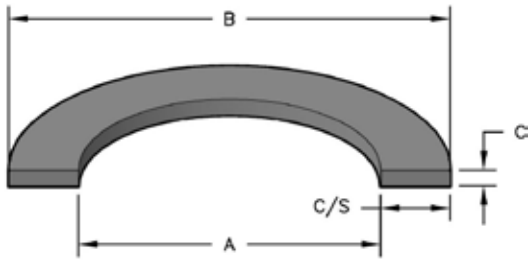
Part Number	A Nom. ID	B Nom. OD	C Nom. Ht	List Price
MBH-170X5X2.5	170	180	2.5	7.00
5.2mm C/S				
MBN-179.8X5.2X1.9	179.8	190.2	1.9	\$89.87
5.5mm C/S				
MBN-45X5.5X2.5	45	56	2.5	\$27.44
6mm C/S				
MBN-63X6X1.5	63	75	1.5	\$14.28
6.5mm C/S				
MBN-50X6.5X3	50	63	3	\$7.70
MBN-55X6.5X3	55	68	3	15.52
MBN-60X6.5X3	60	73	3	16.17
MBN-65X6.5X3	65	78	3	16.17
MBN-70X6.5X3	70	83	3	16.17
MBN-75X6.5X3	75	88	3	16.17
MBN-80X6.5X3	80	93	3	19.53
6.63mm C/S				
MBN-80.24X6.63X2.5	80.24	93.5	2.5	\$12.49
6.75mm C/S				
MBN-115.4X6.75X2.5	115.4	128.9	2.5	\$40.02
7.5mm C/S				
MBN-45X7.5X3	45	60	3	\$16.17
MBN-50X7.5X2	50	65	2	23.96
MBN-50X7.5X2.5	50	65	2.5	40.05
MBN-50X7.5X3	50	65	3	16.17
MBN-55X7.5X3-SOLID	55	70	3	15.60
MBN-60X7.5X2.5	60	75	2.5	16.17
MBN-65X7.5X3	65	80	3	16.17
MBN-70X7.5X1.6	70	85	1.6	32.45
MBN-70X7.5X3	70	85	3	16.17
MBN-75X7.5X3	75	90	3	16.17
MBN-80X7.5X3	80	95	3	19.53
MBN-85X7.5X1.9	85	100	1.9	10.00
MBN-85X7.5X3	85	100	3	19.53
MBN-90X7.5X3	90	105	3	19.53
MBN-95X7.5X3	95	110	3	19.53
MBN-100X7.5X3	100	115	3	22.72
MBN-105X7.5X3	105	120	3	22.72
MBN-110X7.5X3	110	125	3	22.72
MBN-120X7.5X3	120	135	3	22.72

STYLE MBN U-SEAL BACK-UP RINGS

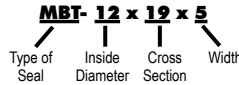
Part Number	A Nom. ID	B Nom. OD	C Nom. Ht	List Price
MBN-140X7.5X3	140	155	3	74.16
8mm C/S				
MBN-55X8X3	55	71	3	\$14.85
MBN-60X8X3	60	76	3	19.87
9.9mm C/S				
MBN-60.2X9.9X1.9	60.2	80	1.9	\$15.39
10mm C/S				
MBN-55X10X3	55	75	3	\$20.42
MBN-60X10X3	60	80	3	16.17
MBN-70X10X3	70	90	3	16.17
MBN-75X10X3	75	95	3	16.17
MBN-80X10X2	80	100	2	29.82
MBN-80X10X3	80	100	3	19.53
MBN-85X10X3	85	105	3	19.53
MBN-90X10X3	90	110	3	19.53
MBN-95X10X3	95	115	3	19.53
MBN-100X10X3	100	120	3	22.72
MBN-105X10X3	105	125	3	22.72
MBN-110X10X3	110	130	3	22.72
MBN-120X10X3	120	140	3	24.35
MBN-120X10X2	120	140	4	20.27
MBN-125X10X3	125	145	3	54.73
MBN-130X10X3	130	150	3	32.03
MBN-140X10X3	140	160	3	40.86
MBN-150X10X3	150	170	3	43.77
MBN-160X10X3	160	180	3	49.16
MBN-170X10X5	170	190	5	61.09
MBN-178X198X4	178	198	4	56.18
12.3mm C/S				
MBN-181.1X12.3X4	181.1	205.7	4	\$84.69
12.5mm C/S				
MBN-160X12.5X3	160	185	3	\$84.14
MBN-160X12.5X3.5	160	185	3.5	67.93
MBN-170X12.5X3	170	195	3	97.42
MBN-180X12.5X3.5	180	205	3.5	69.70

STYLE MBT U-SEAL BACK-UP RINGS

Filled PTFE back-up rings primarily used with U-seals.



HERCULES PART NUMBERS



S = Split Ring
B = Bronze Filled PTFE
G = Glass Filled PTFE
M = Moly Filled PTFE

SEAL INFORMATION	
MATERIAL	FILLED PTFE
TEMPERATURE RANGE	-100° TO +500° F
PRESSURE RANGE	0 TO 5,000 PSI
SPEED	3 FT/SEC

U-SEAL BACK-UP RINGS

Part Number	A Nom. ID	B Nom. OD	C Nom. Ht	List Price
3.15mm C/S				
MBT-12X3.15X1.5	12	18.3	1.5	\$2.35
MBT-14X3.15X1.5	14	20.3	1.5	2.35
3.5mm C/S				
MBT-18X3.5X1.5	18	25	1.5	\$3.05
MBT-22X3.5X1.5	22	29	1.5	3.42
3.75mm C/S				
MBT-28X3.75X3SB	28	35.5	3	\$11.94
3.8mm C/S				
MBT-63.5X3.8X4.3SB	63.5	71.1	4.3	\$65.78
4mm C/S				
MBT-16X4X2SB	16	24	2	\$5.48
MBT-18X4X2SB	18	26	2	6.44
MBT-22X4X1SG	22	30	1	13.39
MBT-23.5X4X2SB	23.5	31.5	2	6.90
MBT-25X4X1SG	25	33	1	15.62
MBT-25X4X2SB	25	33	2	8.29
MBT-28X4X1.5	28	36	1.5	7.62
MBT-32X4X1SG	32	40	1	36.43
MBT-32X4X1.25SG	32	40	1.25	7.95
MBT-36X4X1.5	36	44	1.5	5.11
MBT-45X4X1.5	45	53	1.5	6.41
4.5mm C/S				
MBT-71X4.5X3SB	71	80	3	\$29.45
4.75mm C/S				
MBT-35.5X4.75X3SB	35.5	45	3	\$15.66
4.8mm C/S				
MBT-32X4.8X1.5SG	32	41.6	1.5	\$22.59
5mm C/S				
MBT-8X5X2SB	8	18	2	\$5.48
MBT-10X5X2SB	10	20	2	5.48
MBT-14X5X2SB	14	24	2	5.95
MBT-15X5X2SB	15	25	2	2.64
MBT-16X5X2SB	16	26	2	7.34
MBT-18X5X2SB	18	28	2	6.90
MBT-20X5X2SB	20	30	2	6.90
MBT-25X5X2SB	25	35	2	23.33

Part Number	A Nom. ID	B Nom. OD	C Nom. Ht	List Price
MBT-30X5X1.5SG	30	40	1.5	16.02
MBT-30X5X1.9SB	30	40	1.9	5.19
MBT-30X5X3SB	30	40	3	13.29
MBT-32X5X2SG	32	42	2	20.85
MBT-32X5X3SB	32	42	3	16.01
MBT-35X5X1.5SG	35	45	1.5	16.67
MBT-35X5X2SG	35	45	2	20.85
MBT-35X5X3SB	35	45	3	43.70
MBT-38X5X3SB	38	48	3	27.45
MBT-40X5X0.5	40	50	.5	18.38
MBT-40X5X1.5	40	50	1.5	17.07
MBT-40X5X2SG	40	50	2	8.01
MBT-40X5X3SB	40	50	3	31.09
MBT-45X5X1.5SG	45	55	1.5	16.02
MBT-45X5X2SGM	45	55	2	35.89
MBT-45X5X3SGM	45	55	3	43.70
MBT-50X5X1.5SG	50	60	1.5	17.35
MBT-50X5X3SB	50	60	3	46.39
MBT-50X5X3.5SB	50	60	3.5	45.25
MBT-53X5X2SG	53	63	2	10.80
MBT-55X5X1.5SG	55	65	1.5	17.59
MBT-55X5X3SB	55	65	3	56.80
MBT-56X5X1.5	56	66	1.5	15.76
MBT-56X5X3SB	56	66	3	23.47
MBT-60X5X1.5SG	60	70	1.5	17.75
MBT-60X5X3B	60	70	3	58.44
MBT-60X5X3SB	60	70	3	58.44
MBT-63X5X3SB	63	73	3	26.17
MBT-65X5X1.5SG	65	75	1.5	18.21
MBT-65X5X3SB	65	75	3	28.55
MBT-67X5X3SB	67	77	3	28.55
MBT-70X5X1.5	70	80	1.5	18.18
MBT-70X5X1.5SG	70	80	1.5	18.87
MBT-70X5X3SB	70	80	3	45.57
MBT-71X5X3SB	71	81	3	29.87
MBT-75X5X1.5SG	75	85	1.5	19.29
MBT-75X5X2SG	75	85	2	29.22
MBT-75X5X3SB	75	85	3	49.42
MBT-80X5X3SB	80	90	3	51.75
MBT-90X5X2SG	90	100	2	25.29
MBT-187X5X2B	187	197	2	39.45

Seal color may vary. Special order sizes are available. Sizes not shown and out of stock items can also be ordered for next day delivery through Seals On Demand, our custom seal program. Please call your regional sales team for assistance.

STYLE MBT U-SEAL BACK-UP RINGS

Part Number	A Nom. ID	B Nom. OD	C Nom. Ht	List Price
MBT-215X5X2B	215	225	2	59.23
5.3mm C/S				
MBT-22.4X5.3X2SB	22.4	33	2	\$6.90
5.5mm C/S				
MBT-45X5.5X0.5	45	56	.5	\$15.00
MBT-45X5.5X3SB	45	56	3	19.82
MBT-60X5.5X3SB	60	71	3	26.71
6.5mm C/S				
MBT-25X6.5X2SB	25	38	2	\$9.68
MBT-30X6.5X3SB	30	43	3	26.55
MBT-31.5X6.5X3SB	31.5	44.5	3	15.66
MBT-40X6.5X2SG	40	53	2	24.88
MBT-42X6.5X2SG	42	55	2	31.70
MBT-50X6.5X2SG	50	63	2	28.83
MBT-50X6.5X3SB	50	63	3	48.30
MBT-55X6.5X3SB	55	68	3	55.92
MBT-60X6.5X3SB	60	73	3	35.23
MBT-65X6.5X3SB	65	78	3	67.63
MBT-66X6.5X3SB	66	79	3	53.35
MBT-70X6.5X3SB	70	83	3	39.58
MBT-75X6.5X3SB	75	88	3	36.83
MBT-80X6.5X3SB	80	93	3	73.82
MBT-112X6.5X3SB	112	125	3	59.82
7mm C/S				
MBT-136X7X3SB	136	150	3	\$63.62
7.3mm C/S				
MBT-50.4X7.3X3SB	50.4	65	3	\$25.17
7.5mm C/S				
MBT-35X7.5X3SB	35	50	3	\$17.23
MBT-35.5X7.5X3SB	35.5	50.5	3	18.29
MBT-40X7.5X3SB	40	55	3	32.67
MBT-45X7.5X3	45	60	3	61.16
MBT-48X7.5X2SG	48	63	2	23.47
MBT-48X7.5X3SB	48	63	3	22.47
MBT-50X7.5X0.6	50	65	.6	13.76
MBT-50X7.5X2SG	50	65	2	18.68
MBT-50X7.5X3	50	65	3	27.60
MBT-55X7.5X2SG	55	70	2	19.32
MBT-55X7.5X3	55	70	3	7.34
MBT-55X7.5X3SB	55	70	3	33.39
MBT-60X7.5X0.5	60	75	.5	43.70
MBT-60X7.5X3SB	60	75	3	43.51
MBT-65X7.5X2SG	65	80	2	24.45
MBT-65X7.5X3SB	65	80	3	63.52
MBT-70X7.5X2SG	70	85	2	25.91
MBT-70X7.5X3SB	70	85	3	34.20
MBT-75X7.5X2SG	75	90	2	29.37
MBT-75X7.5X3SB	75	90	3	60.31
MBT-80X7.5X3SB	80	95	3	51.33
MBT-85X7.5X2SG	85	100	2	21.70
MBT-85X7.5X3SB	85	100	3	86.24
MBT-90X7.5X2SG	90	105	2	22.32
MBT-90X7.5X3SB	90	105	3	64.43
MBT-95X7.5X2SG	95	110	2	25.08
MBT-95X7.5X3SB	95	110	3	90.84
MBT-100X7.5X1.5	100	115	1.5	22.14

Part Number	A Nom. ID	B Nom. OD	C Nom. Ht	List Price
MBT-100X7.5X3SB	100	115	3	86.05
MBT-105X7.5X2SG	105	120	2	26.80
MBT-105X7.5X3SB	105	120	3	88.54
MBT-110X7.5X3SB	110	125	3	90.84
MBT-115X7.5X2G	115	130	2	45.77
MBT-115X7.5X3SB	115	130	3	58.35
MBT-120X7.5X3SB	120	135	3	61.03
MBT-125X7.5X3SB	125	140	3	62.85
MBT-130X7.5X3SB	130	145	3	99.34
MBT-135X7.5X3SB	135	150	3	68.13
MBT-140X7.5X3SB	140	155	3	70.07
MBT-145X7.5X3SB	145	160	3	72.62
MBT-150X7.5X3SB	150	165	3	75.30
MBT-155X7.5X4SB	155	170	4	72.28
MBT-160X7.5X4SB	160	175	4	75.73
MBT-165X7.5X4SB	165	180	4	79.84
MBT-175X7.5X4SB	175	190	4	88.43
8mm C/S				
MBT-32X8X3B	32	48	3	\$32.64
MBT-34X8X3SB	34	50	3	18.65
MBT-40X8X3SB	40	56	3	21.44
MBT-45X8X3SB	45	61	3	23.86
MBT-50X8X3G	50	66	3	39.11
MBT-55X8X3SB	55	71	3	58.67
MBT-64X8X3SB	64	80	3	33.44
10mm C/S				
MBT-45X10X3B	45	65	3	\$42.43
MBT-50X10X3SB	50	70	3	30.17
MBT-55X10X3SB	55	75	3	66.50
MBT-60X10X3SB	60	80	3	32.31
MBT-65X10X3	65	85	3	48.30
MBT-70X10X3C	70	90	3	43.32
MBT-70X10X4SB	70	90	4	40.92
MBT-75X10X2C	75	95	2	44.64
MBT-75X10X3SB	75	95	3	42.64
MBT-84X10X2.5SG	84	104	2.5	129.49
MBT-85X10X3SB	85	105	3	49.70
MBT-90X10X3	90	110	3	51.75
MBT-95X10X3	95	115	3	53.84
MBT-100X10X3SB	100	120	3	55.96
MBT-105X10X3SB	105	125	3	57.97
MBT-110X10X3SB	110	130	3	64.24
MBT-115X10X3SB	115	135	3	89.29
MBT-115X10X4SB	115	135	4	23.42
MBT-120X10X3SB	120	140	3	66.25
MBT-125X10X4SB	125	145	4	44.28
MBT-130X10X3SB	130	150	3	71.47
MBT-135X10X3SB	135	155	3	73.03
MBT-140X10X3SB	140	160	3	72.71
MBT-140X10X4SB	140	160	4	65.39
MBT-145X10X3SB	145	165	3	77.84
MBT-150X10X3SB	150	170	3	74.54
MBT-150X10X4SB	150	170	4	47.69
MBT-160X10X3SB	160	180	3	80.73
MBT-160X10X4SB	160	180	4	106.17
MBT-170X10X4SB	170	190	4	112.10
12.5mm C/S				

STYLE MBT U-SEAL BACK-UP RINGS

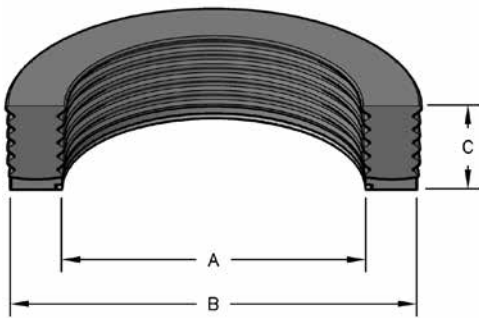
Part Number	A Nom. ID	B Nom. OD	C Nom. Ht	List Price
MBT-125X12.5X3SB	125	150	3	\$85.74
MBT-140X12.5X3SB	140	165	3	95.52
MBT-155X12.5X4SB	155	180	4	130.71
MBT-175X12.5X4SB	175	200	4	146.42
MBT-190X12.5X4SB	190	215	4	79.71
MBT-200X12.5X4SB	200	225	4	119.60
MBT-280X12.5X4SB	280	305	4	227.75

U-SEAL BACK-UP RINGS

STYLE MSMR ROD SEAL W/BACK-UP RINGS

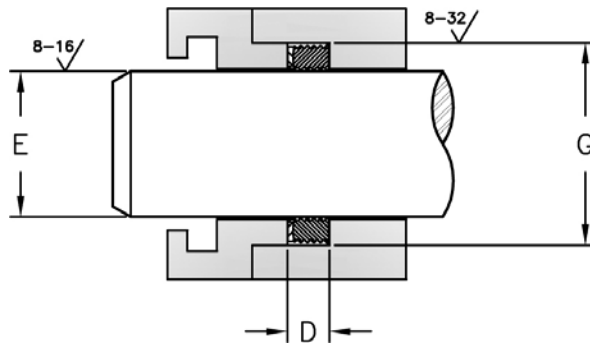


With redundant nitrile lips and an acetal back-up, this seal features high sealability and extrusion resistance.



HERCULES PART NUMBERS

MSMR- 25 x 37 x 21.5
 Type of Seal Inside Diameter Outside Diameter Height



SEAL INFORMATION

MATERIAL	NBR SEAL ACETAL BACK-UP HEADER OF URETHANE, ACETAL, OR FABRIC - REINFORCED RUBBER
TEMPERATURE RANGE	-22° TO +212° F
PRESSURE RANGE	0 TO 10,000 PSI
SPEED	3 FT/SEC

Seal color may vary.

ROD U-SEALS

Part Number	A Nom. ID	B Nom. OD	C Nom. Ht	D GROOVE WIDTH	E ROD DIAMETER	G HOUSING DIAMETER	List Price
MSMR-25X37X21.5	25	37	21.5	21.50 ^{+0.25} / _{+0.00}	25.00 ^{+0.00} / _{-0.13}	37.00 ±0.03	\$47.20
MSMR-32X47X22.5	32	47	22.5	22.50 ^{+0.25} / _{+0.00}	32.00 ^{+0.00} / _{-0.16}	47.00 ±0.03	28.14
MSMR-35X47X21	35	47	21	21.00 ^{+0.25} / _{+0.00}	35.00 ^{+0.00} / _{-0.16}	47.00 ±0.03	22.72
MSMR-40X52X22.5	40	52	22.5	22.50 ^{+0.25} / _{+0.00}	40.00 ^{+0.00} / _{-0.16}	52.00 ±0.03	23.78
MSMR-40X55X22.5	40	55	22.5	22.50 ^{+0.25} / _{+0.00}	40.00 ^{+0.00} / _{-0.16}	55.00 ±0.03	26.43
MSMR-45X60X22.5	45	60	22.5	22.50 ^{+0.25} / _{+0.00}	45.00 ^{+0.00} / _{-0.16}	60.00 ±0.03	36.61
MSMR-45X65X28	45	65	28	28.00 ^{+0.25} / _{+0.00}	45.00 ^{+0.00} / _{-0.16}	65.00 ±0.03	73.30
MSMR-50X63X20	50	63	20	20.00 ^{+0.25} / _{+0.00}	50.00 ^{+0.00} / _{-0.16}	63.00 ±0.03	26.24
MSMR-50X65X22.5	50	65	22.5	22.50 ^{+0.25} / _{+0.00}	50.00 ^{+0.00} / _{-0.16}	65.00 ±0.03	31.21
MSMR-50X65X24.5	50	65	24.5	24.50 ^{+0.25} / _{+0.00}	50.00 ^{+0.00} / _{-0.16}	65.00 ±0.03	37.15
MSMR-55X70X22.5	55	70	22.5	22.50 ^{+0.25} / _{+0.00}	55.00 ^{+0.00} / _{-0.19}	70.00 ±0.03	65.54
MSMR-55X70X25	55	70	25	25.00 ^{+0.25} / _{+0.00}	55.00 ^{+0.00} / _{-0.19}	70.00 ±0.03	31.64
MSMR-56X71X24	56	71	24	24.00 ^{+0.25} / _{+0.00}	56.00 ^{+0.00} / _{-0.19}	71.00 ±0.03	34.12
MSMR-60X75X22.5	60	75	22.5	22.50 ^{+0.25} / _{+0.00}	60.00 ^{+0.00} / _{-0.19}	75.00 ±0.03	33.42

FORMERLY LISTED REPAIR PARTS ARE AVAILABLE ONLINE AT WWW.HERCULESUS.COM
 OR BY CONTACTING YOUR REGIONAL HERCULES SALES TEAM.

STYLE MSMR ROD SEAL W/BACK-UP RINGS

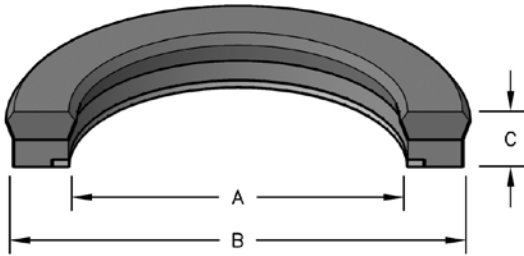
ROD U-SEALS

Part Number	A Nom. ID	B Nom. OD	C Nom. Ht	D GROOVE WIDTH	E ROD DIAMETER	G HOUSING DIAMETER	List Price
MSMR-60X80X30	60	80	30	30.00 ^{+0.25} / _{+0.00}	60.00 ^{+0.00} / _{-0.19}	80.00 ±0.03	33.83
MSMR-60X80X31	60	80	31	31.00 ^{+0.25} / _{+0.00}	60.00 ^{+0.00} / _{-0.19}	80.00 ±0.03	34.12
MSMR-63X83X25	63	83	25	25.00 ^{+0.25} / _{+0.00}	63.00 ^{+0.00} / _{-0.19}	83.00 ±0.04	47.91
MSMR-63X83X27	63	83	27	27.00 ^{+0.25} / _{+0.00}	63.00 ^{+0.00} / _{-0.19}	83.00 ±0.04	83.31
MSMR-63X83X30	63	83	30	30.00 ^{+0.25} / _{+0.00}	63.00 ^{+0.00} / _{-0.19}	83.00 ±0.04	41.63
MSMR-65X85X29	65	85	29	29.00 ^{+0.25} / _{+0.00}	65.00 ^{+0.00} / _{-0.19}	85.00 ±0.04	68.56
MSMR-70X83X25	70	83	25	25.00 ^{+0.25} / _{+0.00}	70.00 ^{+0.00} / _{-0.19}	83.00 ±0.04	37.35
MSMR-70X85X22.5	70	85	22.5	22.50 ^{+0.25} / _{+0.00}	70.00 ^{+0.00} / _{-0.19}	85.00 ±0.04	38.87
MSMR-70X90X30	70	90	30	30.00 ^{+0.25} / _{+0.00}	70.00 ^{+0.00} / _{-0.19}	90.00 ±0.04	55.73
MSMR-80X95X22.5	80	95	22.5	22.50 ^{+0.25} / _{+0.00}	80.00 ^{+0.00} / _{-0.19}	95.00 ±0.04	118.35
MSMR-80X100X30	80	100	30	30.00 ^{+0.25} / _{+0.00}	80.00 ^{+0.00} / _{-0.19}	100.00 ±0.04	58.51
MSMR-90X110X30	90	110	30	30.00 ^{+0.25} / _{+0.00}	90.00 ^{+0.00} / _{-0.22}	110.00 ±0.04	59.80
MSMR-95X115X26	95	115	26	26.00 ^{+0.25} / _{+0.00}	95.00 ^{+0.00} / _{-0.22}	115.00 ±0.04	49.92
MSMR-100X120X30	100	120	30	30.00 ^{+0.25} / _{+0.00}	100.00 ^{+0.00} / _{-0.22}	120.00 ±0.04	52.36
MSMR-105X125X30	105	125	30	30.00 ^{+0.25} / _{+0.00}	105.00 ^{+0.00} / _{-0.22}	125.00 ±0.05	63.33
MSMR-115X130X21	115	130	21	21.00 ^{+0.25} / _{+0.00}	115.00 ^{+0.00} / _{-0.22}	130.00 ±0.05	49.56
MSMR-125X140X21	125	140	21	21.00 ^{+0.25} / _{+0.00}	125.00 ^{+0.00} / _{-0.25}	140.00 ±0.05	50.43
MSMR-125X145X28	125	145	28	28.00 ^{+0.25} / _{+0.00}	125.00 ^{+0.00} / _{-0.25}	145.00 ±0.05	59.41
MSMR-140X160X30	140	160	30	30.00 ^{+0.25} / _{+0.00}	140.00 ^{+0.00} / _{-0.25}	160.00 ±0.05	129.59
MSMR-160X180X26.5	160	180	26.5	28.00 ^{+0.25} / _{+0.00}	160.00 ^{+0.00} / _{-0.25}	180.00 ±0.05	141.23
MSMR-200X225X34	200	225	34	34.00 ^{+0.25} / _{+0.00}	200.00 ^{+0.00} / _{-0.29}	225.00 ±0.05	173.95

STYLE MUFN-EI ROD U-SEALS W/BACK-UP RINGS



Incorporating a rubber seal lip, a rubberized fabric heel, and an acetal back-up ring, this seal provides excellent sealability and high extrusion resistance.

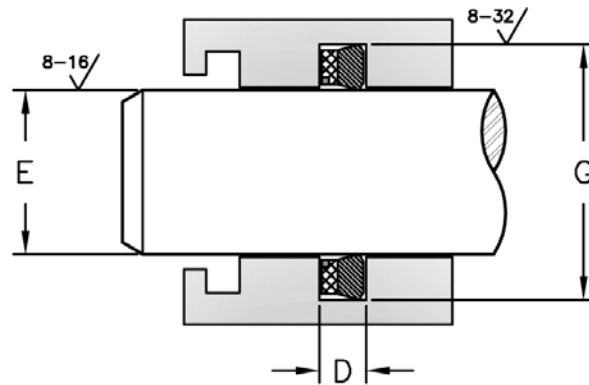


HERCULES PART NUMBERS

MUFN - 16 X 24 X 6.5EI

Type of Seal Inside Diameter Outside Diameter Height

SEAL INFORMATION	
MATERIAL	NBR 80 DURO SEAL NEO-FAB HEEL ACETAL ANTI-EXTRUSION RING
TEMPERATURE RANGE	-22° TO +212° F
PRESSURE RANGE	0 TO 6,000 PSI
SPEED	1.5 FT/SEC



Part Number	A Nom. ID	B Nom. OD	C Nom. Ht	D GROOVE WIDTH	E ROD DIAMETER	G HOUSING DIAMETER	List Price
MUFN-16X24X6.5EI	16	24	6.5	7.50 +0.20 +0.00	16.00 -0.016 -0.043	24.00 ±0.065	\$ 14.35
MUFN-20X28X6.5EI	20	28	6.5	7.50 +0.20 +0.00	20.00 -0.020 -0.053	28.00 ±0.065	13.66
MUFN-22X30X6.5EI	22	30	6.5	7.50 +0.20 +0.00	22.00 -0.020 -0.053	30.00 ±0.065	14.06
MUFN-22X35X9.5EI	22	35	9.5	10.50 +0.20 +0.00	22.00 -0.020 -0.053	35.00 ±0.08	15.70
MUFN-25X33X6EI	25	33	6	7.00 +0.20 +0.00	25.00 -0.020 -0.053	33.00 ±0.08	12.58
MUFN-25X33X6.5EI	25	33	6.5	7.50 +0.20 +0.00	25.00 -0.020 -0.053	33.00 ±0.08	14.06
MUFN-25X33X7EI	25	33	7	8.00 +0.20 +0.00	25.00 -0.020 -0.053	33.00 ±0.08	16.12
MUFN-25X35X7.5EI	25	35	7.5	8.50 +0.20 +0.00	25.00 -0.020 -0.053	35.00 ±0.08	12.31
MUFN-25X35X8EI	25	35	8	9.00 +0.20 +0.00	25.00 -0.020 -0.053	35.00 ±0.08	12.98
MUFN-25X37X10EI	25	37	10	11.00 +0.20 +0.00	25.00 -0.020 -0.053	37.00 ±0.08	14.99
MUFN-25X38X9.5EI	25	38	9.5	10.50 +0.20 +0.00	25.00 -0.020 -0.053	38.00 ±0.08	15.70
MUFN-28X38X7.5EI	28	38	8	9.00 +0.20 +0.00	28.00 -0.020 -0.053	38.00 ±0.08	14.99
MUFN-28X38X8EI	28	38	8	9.00 +0.20 +0.00	28.00 -0.020 -0.053	38.00 ±0.08	14.99
MUFN-28X40X9EI	28	40	9	10.00 +0.20 +0.00	28.00 -0.020 -0.053	40.00 ±0.08	13.26

STYLE MUFN-EI ROD U-SEALS W/BACK-UP RINGS

ROD U-SEALS

Part Number	A Nom. ID	B Nom. OD	C Nom. Ht	D GROOVE WIDTH	E ROD DIAMETER	G HOUSING DIAMETER	List Price
MUFN-30X38X6EI	30	38	6	7.00 ^{+0.20} / _{+0.00}	30.00 ^{-0.020} / _{-0.053}	38.00 ±0.08	13.26
MUFN-30X40X7EI	30	40	7	8.00 ^{+0.20} / _{+0.00}	30.00 ^{-0.020} / _{-0.053}	40.00 ±0.08	15.70
MUFN-30X40X10EI	30	40	10	11.00 ^{+0.20} / _{+0.00}	30.00 ^{-0.020} / _{-0.053}	40.00 ±0.08	15.45
MUFN-30X45X10.5EI	30	45	10.5	11.50 ^{+0.20} / _{+0.00}	30.00 ^{-0.020} / _{-0.053}	45.00 ±0.08	16.39
MUFN-32X40X8.5EI	32	40	8.5	9.50 ^{+0.20} / _{+0.00}	32.00 ^{-0.025} / _{-0.064}	40.00 ±0.08	16.39
MUFN-32X42X8EI	32	42	8	9.00 ^{+0.20} / _{+0.00}	32.00 ^{-0.025} / _{-0.064}	42.00 ±0.08	13.26
MUFN-32X45X9.5EI	32	45	9.5	10.50 ^{+0.20} / _{+0.00}	32.00 ^{-0.025} / _{-0.064}	45.00 ±0.08	14.99
MUFN-35X43X6EI	35	43	6	7.00 ^{+0.20} / _{+0.00}	35.00 ^{-0.025} / _{-0.064}	43.00 ±0.08	17.71
MUFN-35X45X6.5EI	35	45	6.5	7.50 ^{+0.20} / _{+0.00}	35.00 ^{-0.025} / _{-0.064}	45.00 ±0.08	16.39
MUFN-35X45X7.5EI	35	45	7.5	8.50 ^{+0.20} / _{+0.00}	35.00 ^{-0.025} / _{-0.064}	45.00 ±0.08	16.39
MUFN-35X45X10EI	35	45	10	11.00 ^{+0.20} / _{+0.00}	35.00 ^{-0.025} / _{-0.064}	45.00 ±0.08	15.90
MUFN-35X50X10.5EI	35	50	10.5	11.50 ^{+0.20} / _{+0.00}	35.00 ^{-0.025} / _{-0.064}	50.00 ±0.08	16.79
MUFN-36X43X6EI	36	43	6	7.00 ^{+0.20} / _{+0.00}	36.00 ^{-0.025} / _{-0.064}	43.00 ±0.08	25.56
MUFN-36X46X8EI	36	46	8	9.00 ^{+0.20} / _{+0.00}	36.00 ^{-0.025} / _{-0.064}	46.00 ±0.08	16.39
MUFN-36X48X9EI	36	48	9	10.00 ^{+0.20} / _{+0.00}	36.00 ^{-0.025} / _{-0.064}	48.00 ±0.08	16.60
MUFN-40X48X6EI	40	48	6	7.00 ^{+0.20} / _{+0.00}	40.00 ^{-0.025} / _{-0.064}	48.00 ±0.08	16.79
MUFN-40X50X7.5EI	40	50	7.5	8.50 ^{+0.20} / _{+0.00}	40.00 ^{-0.025} / _{-0.064}	50.00 ±0.08	15.28
MUFN-40X50X10EI	40	50	10	11.00 ^{+0.20} / _{+0.00}	40.00 ^{-0.025} / _{-0.064}	50.00 ±0.08	14.06
MUFN-40X50X10.5EI	40	50	10.5	11.50 ^{+0.20} / _{+0.00}	40.00 ^{-0.025} / _{-0.064}	50.00 ±0.08	17.06
MUFN-40X52X10.5EI	40	52	10.5	11.50 ^{+0.20} / _{+0.00}	40.00 ^{-0.025} / _{-0.064}	52.00 ±0.095	17.93
MUFN-40X55X10.5EI	40	55	10.5	11.50 ^{+0.20} / _{+0.00}	40.00 ^{-0.025} / _{-0.064}	55.00 ±0.095	16.60
MUFN-45X53X8EI	45	53	8	9.00 ^{+0.20} / _{+0.00}	45.00 ^{-0.025} / _{-0.064}	53.00 ±0.095	18.40
MUFN-45X53X10.5EI	45	53	10.5	11.50 ^{+0.20} / _{+0.00}	45.00 ^{-0.025} / _{-0.064}	53.00 ±0.095	18.84
MUFN-45X55X7.5EI	45	55	7.5	8.00 ^{+0.20} / _{+0.00}	45.00 ^{-0.025} / _{-0.064}	55.00 ±0.095	19.10
MUFN-45X55X10.5EI	45	55	10.5	11.50 ^{+0.20} / _{+0.00}	45.00 ^{-0.025} / _{-0.064}	55.00 ±0.095	18.84
MUFN-45X60X10EI	45	60	10	11.00 ^{+0.20} / _{+0.00}	45.00 ^{-0.025} / _{-0.064}	60.00 ±0.095	17.93
MUFN-45X60X10.5EI	45	60	10.5	11.50 ^{+0.20} / _{+0.00}	45.00 ^{-0.025} / _{-0.064}	60.00 ±0.095	18.84
MUFN-45X65X14EI	45	65	14	15.00 ^{+0.20} / _{+0.00}	45.00 ^{-0.025} / _{-0.064}	65.00 ±0.095	19.74
MUFN-50X60X7.5EI	50	60	7.5	8.50 ^{+0.20} / _{+0.00}	50.00 ^{-0.025} / _{-0.064}	60.00 ±0.095	18.84
MUFN-50X60X9.5EI	50	60	9.5	10.50 ^{+0.20} / _{+0.00}	50.00 ^{-0.025} / _{-0.064}	60.00 ±0.095	27.54
MUFN-50X60X10EI	50	60	10	11.00 ^{+0.20} / _{+0.00}	50.00 ^{-0.025} / _{-0.064}	60.00 ±0.095	21.32
MUFN-50X62X9EI	50	62	9	10.00 ^{+0.20} / _{+0.00}	50.00 ^{-0.025} / _{-0.064}	62.00 ±0.095	19.10
MUFN-50X62X9.5EI	50	62	9.5	10.50 ^{+0.20} / _{+0.00}	50.00 ^{-0.025} / _{-0.064}	62.00 ±0.095	19.10

STYLE MUFN-EI ROD U-SEALS W/BACK-UP RINGS



Part Number	A Nom. ID	B Nom. OD	C Nom. Ht	D GROOVE WIDTH	E ROD DIAMETER	G HOUSING DIAMETER	List Price
MUFN-50X65X10.5EI	50	65	10.5	11.50 ^{+0.20} / _{+0.00}	50.00 ^{-0.025} / _{-0.064}	65.00 ±0.095	20.22
MUFN-50X65X11EI	50	65	11	12.00 ^{+0.20} / _{+0.00}	50.00 ^{-0.025} / _{-0.064}	65.00 ±0.095	31.85
MUFN-50X70X14EI	50	70	14	15.00 ^{+0.20} / _{+0.00}	50.00 ^{-0.025} / _{-0.064}	70.00 ±0.095	20.22
MUFN-55X65X7.5EI	55	65	7.5	8.50 ^{+0.20} / _{+0.00}	55.00 ^{-0.030} / _{-0.076}	65.00 ±0.095	17.36
MUFN-55X65X10.5EI	55	65	10.5	11.50 ^{+0.20} / _{+0.00}	55.00 ^{-0.030} / _{-0.076}	65.00 ±0.095	18.17
MUFN-55X70X10EI	55	70	10	11.00 ^{+0.20} / _{+0.00}	55.00 ^{-0.030} / _{-0.076}	70.00 ±0.095	19.93
MUFN-56X71X10EI	56	71	10	11.00 ^{+0.20} / _{+0.00}	56.00 ^{-0.030} / _{-0.076}	71.00 ±0.095	22.06
MUFN-56X71X12EI	56	71	12	13.00 ^{+0.20} / _{+0.00}	56.00 ^{-0.030} / _{-0.076}	71.00 ±0.095	24.89
MUFN-60X70X7.5EI	60	70	7.5	8.50 ^{+0.20} / _{+0.00}	60.00 ^{-0.030} / _{-0.076}	70.00 ±0.095	28.25
MUFN-60X70X9.5EI	60	70	9.5	10.50 ^{+0.20} / _{+0.00}	60.00 ^{-0.030} / _{-0.076}	70.00 ±0.095	21.05
MUFN-60X70X10.5EI	60	70	10.5	11.50 ^{+0.20} / _{+0.00}	60.00 ^{-0.030} / _{-0.076}	70.00 ±0.095	20.60
MUFN-60X70X12.5EI	60	70	12.5	13.50 ^{+0.20} / _{+0.00}	60.00 ^{-0.030} / _{-0.076}	70.00 ±0.095	20.44
MUFN-60X72X9.5EI	60	72	9.5	10.50 ^{+0.20} / _{+0.00}	60.00 ^{-0.030} / _{-0.076}	72.00 ±0.095	23.11
MUFN-60X75X12.5EI	60	75	12.5	13.50 ^{+0.20} / _{+0.00}	60.00 ^{-0.030} / _{-0.076}	75.00 ±0.095	23.11
MUFN-63X75X10EI	63	75	10	11.00 ^{+0.20} / _{+0.00}	63.00 ^{-0.030} / _{-0.076}	75.00 ±0.095	34.30
MUFN-63X78X12.5EI	63	78	12.5	13.50 ^{+0.20} / _{+0.00}	63.00 ^{-0.030} / _{-0.076}	78.00 ±0.095	27.34
MUFN-65X75X13EI	65	75	13	14.00 ^{+0.20} / _{+0.00}	65.00 ^{-0.030} / _{-0.076}	75.00 ±0.095	23.11
MUFN-65X85X14EI	65	85	14	15.00 ^{+0.20} / _{+0.00}	65.00 ^{-0.030} / _{-0.076}	85.00 ±0.11	26.02
MUFN-70X80X12.5EI	70	80	12.5	13.50 ^{+0.20} / _{+0.00}	70.00 ^{-0.030} / _{-0.076}	80.00 ±0.095	21.96
MUFN-70X84X12EI	70	84	12	13.00 ^{+0.20} / _{+0.00}	70.00 ^{-0.030} / _{-0.076}	84.00 ±0.11	23.83
MUFN-70X85X12EI	70	85	12	13.00 ^{+0.20} / _{+0.00}	70.00 ^{-0.030} / _{-0.076}	85.00 ±0.11	24.25
MUFN-70X90X14EI	70	90	14	15.00 ^{+0.20} / _{+0.00}	70.00 ^{-0.030} / _{-0.076}	90.00 ±0.11	26.43
MUFN-75X85X12EI	75	85	12	13.00 ^{+0.20} / _{+0.00}	75.00 ^{-0.030} / _{-0.076}	85.00 ±0.11	27.11
MUFN-80X95X10EI	80	95	10	11.00 ^{+0.20} / _{+0.00}	80.00 ^{-0.030} / _{-0.076}	95.00 ±0.11	30.05
MUFN-80X95X12.5EI	80	95	12.5	13.50 ^{+0.20} / _{+0.00}	80.00 ^{-0.030} / _{-0.076}	95.00 ±0.11	30.05
MUFN-80X96X10EI	80	96	10	11.00 ^{+0.20} / _{+0.00}	80.00 ^{-0.030} / _{-0.076}	96.00 ±0.11	30.94
MUFN-80X100X12EI	80	100	12	13.00 ^{+0.20} / _{+0.00}	80.00 ^{-0.030} / _{-0.076}	100.00 ±0.11	30.05
MUFN-80X100X14EI	80	100	14	15.00 ^{+0.20} / _{+0.00}	80.00 ^{-0.030} / _{-0.076}	100.00 ±0.11	30.74
MUFN-85X100X12EI	85	100	12	13.00 ^{+0.20} / _{+0.00}	85.00 ^{-0.036} / _{-0.090}	100.00 ±0.11	29.84
MUFN-90X100X10.5EI	90	100	10.5	11.50 ^{+0.20} / _{+0.00}	90.00 ^{-0.036} / _{-0.090}	100.00 ±0.11	30.05
MUFN-90X105X12EI	90	105	12	13.00 ^{+0.20} / _{+0.00}	90.00 ^{-0.036} / _{-0.090}	105.00 ±0.11	31.18
MUFN-90X110X12EI	90	110	12	13.00 ^{+0.20} / _{+0.00}	90.00 ^{-0.036} / _{-0.090}	110.00 ±0.11	30.74
MUFN-90X110X14EI	90	110	14	15.00 ^{+0.20} / _{+0.00}	90.00 ^{-0.036} / _{-0.090}	110.00 ±0.11	33.63

ROD U-SEALS

STYLE MUFN-EI ROD U-SEALS W/BACK-UP RINGS

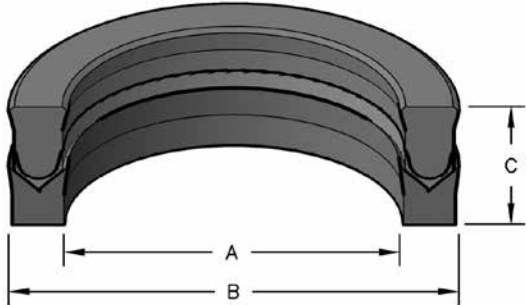
ROD U-SEALS

Part Number	A Nom. ID	B Nom. OD	C Nom. Ht	D GROOVE WIDTH	E ROD DIAMETER	G HOUSING DIAMETER	List Price
MUFN-95X110X12EI	95	110	12	13.00 ^{+0.20} / _{+0.00}	95.00 ^{-0.036} / _{-0.090}	110.00 ±0.11	87.27
MUFN-100X115X12EI	100	115	12	13.00 ^{+0.20} / _{+0.00}	100.00 ^{-0.036} / _{-0.090}	115.00 ±0.11	36.33
MUFN-100X120X11.5EI	100	120	11.5	12.50 ^{+0.20} / _{+0.00}	100.00 ^{-0.036} / _{-0.090}	120.00 ±0.11	36.33
MUFN-100X120X12EI	100	120	12	13.00 ^{+0.20} / _{+0.00}	100.00 ^{-0.036} / _{-0.090}	120.00 ±0.11	31.62
MUFN-100X120X14EI	100	120	14	15.00 ^{+0.20} / _{+0.00}	100.00 ^{-0.036} / _{-0.090}	120.00 ±0.11	36.33
MUFN-105X115X10.5EI	105	115	10.5	11.50 ^{+0.20} / _{+0.00}	105.00 ^{-0.036} / _{-0.090}	115.00 ±0.11	34.99
MUFN-105X120X13EI	105	120	13	14.00 ^{+0.20} / _{+0.00}	105.00 ^{-0.036} / _{-0.090}	120.00 ±0.11	37.70
MUFN-110X125X11.5EI	110	125	11.5	12.50 ^{+0.20} / _{+0.00}	110.00 ^{-0.036} / _{-0.090}	125.00 ±0.125	40.38
MUFN-110X130X12EI	110	130	12	13.00 ^{+0.20} / _{+0.00}	110.00 ^{-0.036} / _{-0.090}	130.00 ±0.125	43.93
MUFN-125X150X14EI	125	150	14	15.00 ^{+0.20} / _{+0.00}	125.00 ^{-0.043} / _{-0.106}	150.00 ±0.125	50.42
MUFN-130X145X9EI	130	145	9	10.00 ^{+0.20} / _{+0.00}	130.00 ^{-0.043} / _{-0.106}	145.00 ±0.125	52.96
MUFN-140X160X11EI	140	160	11	12.00 ^{+0.20} / _{+0.00}	140.00 ^{-0.043} / _{-0.106}	160.00 ±0.125	108.84
MUFN-140X160X12EI	140	160	12	13.00 ^{+0.20} / _{+0.00}	140.00 ^{-0.043} / _{-0.106}	160.00 ±0.125	63.06
MUFN-150X170X13.5EI	150	170	13.5	14.50 ^{+0.20} / _{+0.00}	150.00 ^{-0.043} / _{-0.106}	170.00 ±0.125	37.87
MUFN-160X175X15EI	160	175	15	16.00 ^{+0.20} / _{+0.00}	160.00 ^{-0.043} / _{-0.106}	175.00 ±0.125	39.79
MUFN-160X180X14.5EI	160	180	14.5	15.50 ^{+0.20} / _{+0.00}	160.00 ^{-0.043} / _{-0.106}	180.00 ±0.125	84.27
MUFN-170X182.7X9EI	170	182.7	9	10.00 ^{+0.20} / _{+0.00}	170.00 ^{-0.043} / _{-0.106}	182.70 ±0.145	40.15

STYLE MUFN-BR ROD U-SEALS WITH HEADERS



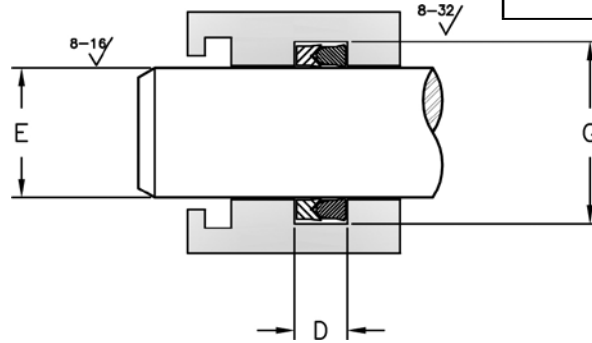
This is a single-acting rod seal designed for low and high pressure sealing and is commonly found in telescopic cylinders. The seal consists of a molded rubber sealing lip, rubberized fabric heel, and a polyester header for improved extrusion resistance.



HERCULES PART NUMBERS

MUFN- 78 x 88 x 12
 Type of Seal Inside Diameter Outside Diameter Height

SEAL INFORMATION	
MATERIAL	RUBBER, FABRIC, POLYESTER ELASTOMER
TEMPERATURE RANGE	-22° TO +212° F
PRESSURE RANGE	0 TO 5800 PSI
SPEED	1.5 FT/SEC

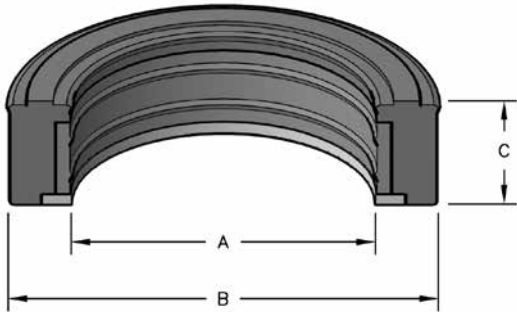


Part Number	A Nom. ID	B Nom. OD	C Nom. Ht	D GROOVE WIDTH	E ROD DIAMETER	G HOUSING DIAMETER	List Price
MUFN-98X108X12BR-M-F	98	108	12	13.00 +0.30 +0.00	98.00 -0.036 -0.090	108.00 +0.14 +0.00	\$46.25
MUFN-117X127X14BR-M-F	117	127	14	15.50 +0.30 +0.00	117.00 -0.036 -0.090	127.00 +0.16 +0.00	54.61
MUFN-136X146X14BR-M-F	136	146	14	15.50 +0.30 +0.00	136.00 -0.043 -0.106	146.00 +0.16 +0.00	62.30
MUFN-155X165X14BR-M-F	155	165	14	15.50 +0.30 +0.00	155.00 -0.043 -0.106	165.00 +0.16 +0.00	91.10
MUFN-176X188X16BR-M-F	176	188	16	17.00 +0.30 +0.00	176.00 -0.043 -0.106	188.00 +0.185 +0.000	112.26
MUFN-198X210X17.5BR-M-F	198	210	17.5	19.00 +0.30 +0.00	198.00 -0.050 -0.122	210.00 +0.185 +0.000	112.26

ROD SEALS

STYLE MPDS ROD U-SEALS

The MPDS is a rubber seal with a fabric-reinforced dynamic surface providing low breakaway and low dynamic friction. An acetal back-up ring is incorporated into the heel to prevent extrusion.



HERCULES PART NUMBERS

MPDS- 40 x 52 x 21

Type of Seal: MPDS
 Inside Diameter: 40
 Outside Diameter: 52
 Height: 21

SEAL INFORMATION

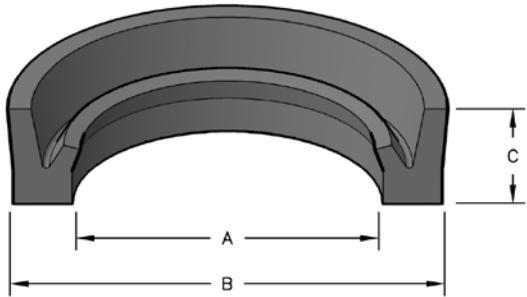
MATERIAL	NBR/NEO-FAB SEAL ACETAL ANTI- EXTRUSION RING
TEMPERATURE RANGE	-22° TO +230° F
PRESSURE RANGE	0 TO 3600 PSI
SPEED	1.5 ft/sec

Part Number	A Nom. ID	B Nom. OD	C Nom. Ht	List Price
MPDS-40X52X21	40	52	21	\$44.29
MPDS-50X65X21	50	65	21	106.40
MPDS-90X105X21	90	105	21	124.64

STYLE MUKRN ROD SEALS



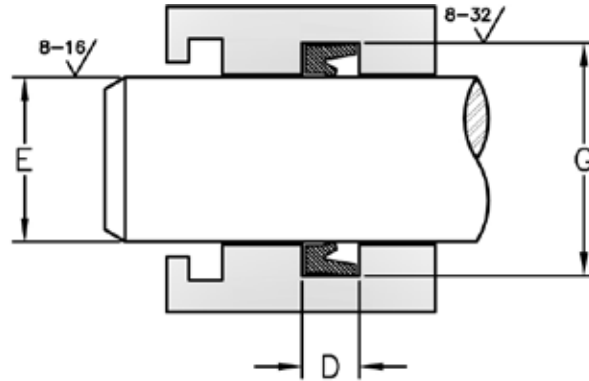
MUKRN is an asymmetrical single-acting pneumatic rod seal. Molded in nitrile, this seal is resistant to water and most oils while maintaining good low-pressure sealing.



HERCULES PART NUMBERS

MUKRN - 6 X 12 X 4
 Type of Seal Rod Diameter Groove Diameter Height

SEAL INFORMATION	
MATERIAL	80 A NBR
TEMPERATURE RANGE	-22° TO +212° F
PRESSURE RANGE	0 TO 1,450 PSI
SPEED	1.5 FT/SEC



ROD SEALS

Part Number	A Nom. ID	B Nom. OD	C Nom. Ht	D GROOVE WIDTH	E ROD DIAMETER	G HOUSING DIAMETER	List Price
MUKRN-6X12X4	6	12	4	4.50 +0.20 +0.00	6.00 -0.010 -0.028	12.00 +0.043 +0.000	\$5.72
MUKRN-8X14X4	8	14	4	4.50 +0.20 +0.00	8.00 -0.013 -0.035	14.00 +0.043 +0.000	8.67
MUKRN-8X16X5.5	8	16	5.5	6.00 +0.20 +0.00	8.00 -0.013 -0.035	16.00 +0.043 +0.000	5.72
MUKRN-8X18X8	8	18	8	8.50 +0.20 +0.00	8.00 -0.013 -0.035	18.00 +0.043 +0.000	6.59
MUKRN-10X13.6X2.3	10	13.6	2.3	2.80 +0.20 +0.00	10.00 -0.013 -0.035	13.60 +0.043 +0.000	18.27
MUKRN-10X16X4.5	10	16	4.5	5.00 +0.20 +0.00	10.00 -0.013 -0.035	16.00 +0.043 +0.000	6.36
MUKRN-10X18X5.5	10	18	5.5	6.00 +0.20 +0.00	10.00 -0.013 -0.035	18.00 +0.043 +0.000	8.57
MUKRN-12X20X5.5	12	20	5.5	6.00 +0.20 +0.00	12.00 -0.016 -0.043	20.00 +0.052 +0.000	6.36
MUKRN-12X22X5	12	22	5	5.50 +0.20 +0.00	12.00 -0.016 -0.043	22.00 +0.052 +0.000	6.36
MUKRN-12X22X7.5	12	22	7.5	8.00 +0.20 +0.00	12.00 -0.016 -0.043	22.00 +0.052 +0.000	6.36
MUKRN-14X24X5	14	24	5	5.50 +0.20 +0.00	14.00 -0.016 -0.043	24.00 +0.052 +0.000	8.10
MUKRN-16X22X5	16	22	5	5.50 +0.20 +0.00	16.00 -0.016 -0.043	22.00 +0.052 +0.000	8.10
MUKRN-16X24X5.5	16	24	5.5	6.00 +0.20 +0.00	16.00 -0.016 -0.043	24.00 +0.052 +0.000	15.95
MUKRN-18X25X4.5	18	25	4.5	5.00 +0.20 +0.00	18.00 -0.016 -0.043	25.00 +0.052 +0.000	8.10
MUKRN-18X25X5.5	18	25	5.5	6.00 +0.20 +0.00	18.00 -0.016 -0.043	25.00 +0.052 +0.000	8.10

STYLE MUKRN ROD SEALS

ROD SEALS

Part Number	A Nom. ID	B Nom. OD	C Nom. Ht	D GROOVE WIDTH	E ROD DIAMETER	G HOUSING DIAMETER	List Price
MUKRN-18X26X5.5	18	26	5.5	6.00 ^{+0.20} / _{+0.00}	18.00 ^{-0.016} / _{-0.043}	26.00 ^{+0.052} / _{+0.000}	8.10
MUKRN-18X30X8.5	18	30	8.5	9.50 ^{+0.20} / _{+0.00}	18.00 ^{-0.016} / _{-0.043}	30.00 ^{+0.052} / _{+0.000}	8.10
MUKRN-20X26X5	20	26	5	5.50 ^{+0.20} / _{+0.00}	20.00 ^{-0.020} / _{-0.053}	26.00 ^{+0.052} / _{+0.000}	14.61
MUKRN-20X28X5.5	20	28	5.5	6.00 ^{+0.20} / _{+0.00}	20.00 ^{-0.020} / _{-0.053}	28.00 ^{+0.052} / _{+0.000}	8.10
MUKRN-20X30X6	20	30	6	6.50 ^{+0.20} / _{+0.00}	20.00 ^{-0.020} / _{-0.053}	30.00 ^{+0.052} / _{+0.000}	8.32
MUKRN-22X30X5.5	22	30	5.5	6.00 ^{+0.20} / _{+0.00}	22.00 ^{-0.020} / _{-0.053}	30.00 ^{+0.052} / _{+0.000}	8.32
MUKRN-23X31X5.5	23	31	5.5	6.00 ^{+0.20} / _{+0.00}	23.00 ^{-0.020} / _{-0.053}	31.00 ^{+0.062} / _{+0.000}	8.32
MUKRN-25X33X8	25	33	8	8.50 ^{+0.20} / _{+0.00}	25.00 ^{-0.020} / _{-0.053}	33.00 ^{+0.062} / _{+0.000}	8.32
MUKRN-25X35X6	25	35	6	6.50 ^{+0.20} / _{+0.00}	25.00 ^{-0.020} / _{-0.053}	35.00 ^{+0.062} / _{+0.000}	8.32
MUKRN-25X35X7	25	35	7	7.50 ^{+0.20} / _{+0.00}	25.00 ^{-0.020} / _{-0.053}	35.00 ^{+0.062} / _{+0.000}	8.32
MUKRN-25X35X7.5	25	35	7.5	8.00 ^{+0.20} / _{+0.00}	25.00 ^{-0.020} / _{-0.053}	35.00 ^{+0.062} / _{+0.000}	8.97
MUKRN-25X37X6	25	37	6	6.50 ^{+0.20} / _{+0.00}	25.00 ^{-0.020} / _{-0.053}	37.00 ^{+0.062} / _{+0.000}	9.41
MUKRN-28X36X5.5	28	36	5.5	6.00 ^{+0.20} / _{+0.00}	28.00 ^{-0.020} / _{-0.053}	36.00 ^{+0.062} / _{+0.000}	9.41
MUKRN-30X40X7	30	40	7	7.50 ^{+0.20} / _{+0.00}	30.00 ^{-0.020} / _{-0.053}	40.00 ^{+0.062} / _{+0.000}	9.41
MUKRN-30X42X8.5	30	42	8.5	9.50 ^{+0.20} / _{+0.00}	30.00 ^{-0.020} / _{-0.053}	42.00 ^{+0.062} / _{+0.000}	9.84
MUKRN-32X42X7	32	42	7	7.50 ^{+0.20} / _{+0.00}	32.00 ^{-0.025} / _{-0.064}	42.00 ^{+0.062} / _{+0.000}	10.60
MUKRN-35X43X8	35	43	8	8.50 ^{+0.20} / _{+0.00}	35.00 ^{-0.025} / _{-0.064}	43.00 ^{+0.062} / _{+0.000}	10.60
MUKRN-35X45X7	35	45	7	7.50 ^{+0.20} / _{+0.00}	35.00 ^{-0.025} / _{-0.064}	45.00 ^{+0.062} / _{+0.000}	10.60
MUKRN-36X46X7	36	46	7	7.50 ^{+0.20} / _{+0.00}	36.00 ^{-0.025} / _{-0.064}	46.00 ^{+0.062} / _{+0.000}	10.60
MUKRN-38X48X7	38	48	7	7.50 ^{+0.20} / _{+0.00}	38.00 ^{-0.025} / _{-0.064}	48.00 ^{+0.062} / _{+0.000}	29.38
MUKRN-40X48X5.5	40	48	5.5	6.00 ^{+0.20} / _{+0.00}	40.00 ^{-0.025} / _{-0.064}	48.00 ^{+0.062} / _{+0.000}	11.11
MUKRN-40X48X8	40	48	8	8.50 ^{+0.20} / _{+0.00}	40.00 ^{-0.025} / _{-0.064}	48.00 ^{+0.062} / _{+0.000}	11.11
MUKRN-42X52X7	42	52	7	7.50 ^{+0.20} / _{+0.00}	42.00 ^{-0.025} / _{-0.064}	52.00 ^{+0.074} / _{+0.000}	12.19
MUKRN-44X54X7	44	54	7	7.50 ^{+0.20} / _{+0.00}	44.00 ^{-0.025} / _{-0.064}	54.00 ^{+0.074} / _{+0.000}	40.45
MUKRN-45X53X8	45	53	8	8.50 ^{+0.20} / _{+0.00}	45.00 ^{-0.025} / _{-0.064}	53.00 ^{+0.074} / _{+0.000}	13.48
MUKRN-45X55X7	45	55	7	7.50 ^{+0.20} / _{+0.00}	45.00 ^{-0.025} / _{-0.064}	55.00 ^{+0.074} / _{+0.000}	12.19
MUKRN-50X60X7	50	60	7	7.50 ^{+0.20} / _{+0.00}	50.00 ^{-0.025} / _{-0.064}	60.00 ^{+0.074} / _{+0.000}	12.19
MUKRN-56X66X7	56	66	7	7.50 ^{+0.20} / _{+0.00}	56.00 ^{-0.030} / _{-0.076}	66.00 ^{+0.074} / _{+0.000}	13.56
MUKRN-60X72X8.5	60	72	8.5	9.50 ^{+0.20} / _{+0.00}	60.00 ^{-0.030} / _{-0.076}	72.00 ^{+0.074} / _{+0.000}	13.56
MUKRN-63X75X8.5	63	75	8.5	9.50 ^{+0.20} / _{+0.00}	63.00 ^{-0.030} / _{-0.076}	75.00 ^{+0.074} / _{+0.000}	14.06
MUKRN-65X77X8.5	65	77	8.5	9.50 ^{+0.20} / _{+0.00}	65.00 ^{-0.030} / _{-0.076}	77.00 ^{+0.074} / _{+0.000}	18.04
MUKRN-70X82X8.5	70	82	8.5	9.50 ^{+0.20} / _{+0.00}	70.00 ^{-0.030} / _{-0.076}	82.00 ^{+0.087} / _{+0.000}	18.70
MUKRN-70X90X15	70	90	15	16.00 ^{+0.20} / _{+0.00}	70.00 ^{-0.030} / _{-0.076}	90.00 ^{+0.087} / _{+0.000}	18.70

STYLE MUKRN ROD SEALS



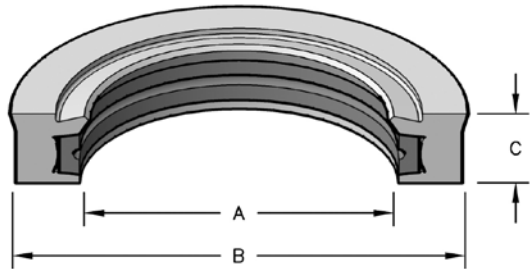
Part Number	A Nom. ID	B Nom. OD	C Nom. Ht	D GROOVE WIDTH	E ROD DIAMETER	G HOUSING DIAMETER	List Price
MUKRN-80X92X8.5	80	92	8.5	9.50 +0.20 +0.00	80.00 -0.030 -0.076	92.00 +0.087 +0.000	61.72
MUKRN-88X100X8.5	88	100	8.5	9.50 +0.20 +0.00	88.00 -0.036 -0.090	100.00 +0.087 +0.000	29.32
MUKRN-100X115X10	100	115	10	11.00 +0.20 +0.00	100.00 -0.036 -0.090	115.00 +0.087 +0.000	38.60
MUKRN-110X125X10	110	125	10	11.00 +0.20 +0.00	110.00 -0.036 -0.090	125.00 +0.10 +0.00	52.23
MUKRN-130X145X10	130	145	10	11.00 +0.20 +0.00	130.00 -0.043 -0.106	145.00 +0.10 +0.00	40.11

ROD SEALS

Seal color may vary. Special order sizes are available. Sizes not shown and out of stock items can also be ordered for next day delivery through Seals On Demand, our custom seal program. Please call your regional sales team for assistance.

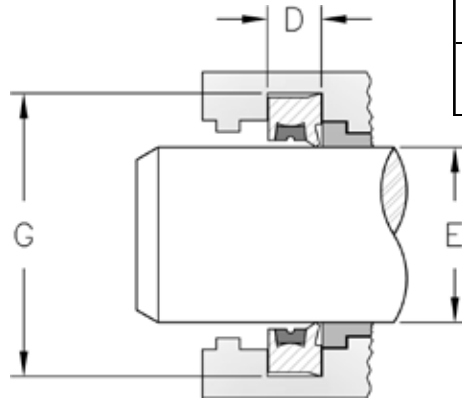
STYLE PU-TDI ROD SEALS

The PU-TDI tandem seal has a urethane sealing lip with a PTFE insert secondary sealing lip. Under increasing pressure, the outer seal acts to compress the PTFE slide ring onto the rod. This action creates a high force sealing edge of low-frictional resistance. These are genuine Hunger® parts.



HERCULES PART NUMBERS

PU-TDI - 22 X 30 X 7
 Type of Seal Inside Diameter Outside Diameter Height



Diameters below 32mm are a one piece part. They do not contain the PTFE insert.

SEAL INFORMATION	
MATERIAL	URETHANE BRONZE - FILLED PTFE
TEMPERATURE RANGE	-31° TO +212° F
PRESSURE RANGE	0 TO 6,500 PSI
SPEED	3 FT/SEC

Part Number	A Nom. ID	B Nom. OD	C Nom. Ht	D GROOVE WIDTH	E ROD DIAMETER	G HOUSING DIAMETER	List Price
PU-TDI22X30X7	22	30	7	7.50 ^{+0.098} _{-0.040}	22.00 ^{-0.040} _{-0.073}	30.00 ^{+0.052} _{+0.000}	\$54.27
PU-TDI35X43X7	35	43	7	7.50 ^{+0.098} _{-0.040}	35.00 ^{-0.050} _{-0.089}	43.00 ^{+0.062} _{+0.000}	74.16
PU-TDI36X44X8	36	44	8	8.50 ^{+0.098} _{-0.040}	36.00 ^{-0.050} _{-0.089}	44.00 ^{+0.062} _{+0.000}	77.37
PU-TDI40X48X8	40	48	8	8.50 ^{+0.098} _{-0.040}	40.00 ^{-0.050} _{-0.089}	48.00 ^{+0.062} _{+0.000}	83.80
PU-TDI45X55X10	45	55	10	11.00 ^{+0.12} _{-0.05}	45.00 ^{-0.050} _{-0.089}	55.00 ^{+0.074} _{+0.000}	85.11
PU-TDI50X60X10	50	60	10	11.00 ^{+0.12} _{-0.05}	50.00 ^{-0.050} _{-0.089}	60.00 ^{+0.074} _{+0.000}	89.64
PU-TDI55X65X10	55	65	10	11.00 ^{+0.12} _{-0.05}	55.00 ^{-0.060} _{-0.106}	65.00 ^{+0.074} _{+0.000}	90.28
PU-TDI56X71X12	56	71	12	13.00 ^{+0.12} _{-0.05}	56.00 ^{-0.060} _{-0.106}	71.00 ^{+0.074} _{+0.000}	98.69
PU-TDI60X75X12	60	75	12	13.00 ^{+0.12} _{-0.05}	60.00 ^{-0.060} _{-0.106}	75.00 ^{+0.074} _{+0.000}	103.19
PU-TDI63X78X12	63	78	12	13.00 ^{+0.12} _{-0.05}	63.00 ^{-0.060} _{-0.106}	78.00 ^{+0.074} _{+0.000}	107.71
PU-TDI70X85X12	70	85	12	13.00 ^{+0.12} _{-0.05}	70.00 ^{-0.060} _{-0.106}	85.00 ^{+0.087} _{+0.000}	127.69
PU-TDI80X95X12	80	95	12	13.00 ^{+0.12} _{-0.05}	80.00 ^{-0.060} _{-0.106}	95.00 ^{+0.087} _{+0.000}	148.96
PU-TDI85X100X12	85	100	12	13.00 ^{+0.12} _{-0.05}	85.00 ^{-0.072} _{-0.126}	100.00 ^{+0.087} _{+0.000}	155.40
PU-TDI90X105X12	90	105	12	13.00 ^{+0.12} _{-0.05}	90.00 ^{-0.072} _{-0.126}	105.00 ^{+0.087} _{+0.000}	170.90
PU-TDI95X110X12	95	110	12	13.00 ^{+0.12} _{-0.05}	95.00 ^{-0.072} _{-0.126}	110.00 ^{+0.087} _{+0.000}	184.43
PU-TDI100X115X12	100	115	12	13.00 ^{+0.12} _{-0.05}	100.00 ^{-0.072} _{-0.126}	115.00 ^{+0.087} _{+0.000}	188.95

STYLE PU-TDI ROD SEALS



Part Number	A Nom. ID	B Nom. OD	C Nom. Ht	D GROOVE WIDTH	E ROD DIAMETER	G HOUSING DIAMETER	List Price
PU-TDI105X120X12	105	120	12	13.00 ^{+0.12} / _{-0.05}	105.00 ^{-0.072} / _{-0.126}	120.00 ^{+0.087} / _{+0.000}	225.70
PU-TDI110X125X12	110	125	12	13.00 ^{+0.12} / _{-0.05}	110.00 ^{-0.072} / _{-0.126}	125.00 ^{+0.10} / _{+0.00}	225.70
PU-TDI125X145X16	125	145	16	17.00 ^{+0.12} / _{-0.05}	125.00 ^{-0.085} / _{-0.148}	145.00 ^{+0.10} / _{+0.00}	221.19
PU-TDI140X155X17	140	155	17	18.00 ^{+0.12} / _{-0.05}	140.00 ^{-0.085} / _{-0.148}	155.00 ^{+0.10} / _{+0.00}	335.32
PU-TDI140X160X16	140	160	16	17.00 ^{+0.12} / _{-0.05}	140.00 ^{-0.085} / _{-0.148}	160.00 ^{+0.10} / _{+0.00}	301.78
PU-TDI150X170X16	150	170	16	17.00 ^{+0.12} / _{-0.05}	150.00 ^{-0.085} / _{-0.148}	170.00 ^{+0.10} / _{+0.00}	367.58
PU-TDI160X180X16	160	180	16	17.00 ^{+0.12} / _{-0.05}	160.00 ^{-0.085} / _{-0.148}	180.00 ^{+0.10} / _{+0.00}	408.21
PU-TDI180X200X16	180	200	16	17.00 ^{+0.12} / _{-0.05}	180.00 ^{-0.085} / _{-0.148}	200.00 ^{+0.115} / _{+0.000}	529.42
PU-TDI200X220X16	200	220	16	17.00 ^{+0.12} / _{-0.05}	200.00 ^{-0.100} / _{-0.172}	220.00 ^{+0.115} / _{+0.000}	582.29

ROD SEALS

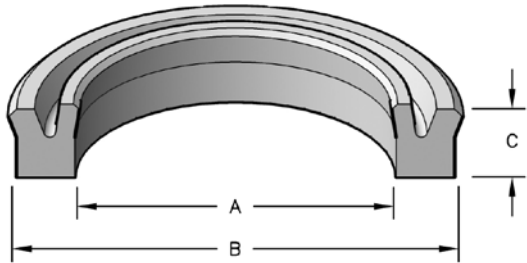
STYLE PU-TDT ROD SEALS

View the Complete PU-TDT Product Line
 Online at www.HerculesUS.com
 or Contact a Hercules
 Sales Representative for Assistance.



STYLE MPU PISTON SEALS

Molded from high quality urethane, the MPU is designed specifically for piston applications.

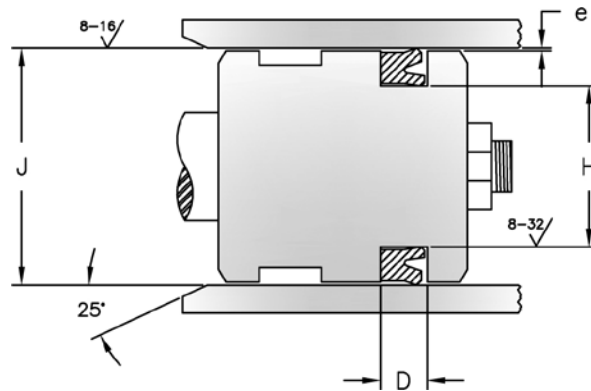


HERCULES PART NUMBERS

MPU - 15 X 25 X 8.2
 Type of Seal Inside Diameter Outside Diameter Height

A = Alternative to NOK

SEAL INFORMATION	
MATERIAL	URETHANE
TEMPERATURE RANGE	-22° TO +212° F
PRESSURE RANGE	0 TO 5,000 PSI
SPEED	3 FT/SEC



PISTON U-SEALS

Part Number	A Nom. ID	B Nom. OD	C Nom. Ht	D GROOVE WIDTH	H GROOVE DIAMETER	J BORE DIAMETER	List Price
MPU-15X25X8.2	15	25	8.2	9.00 +0.30 +0.00	15.00 +0.00 -0.07	25.00 +0.052 +0.000	\$ 14.05
MPU-17X25X5.7	17	25	5.7	6.30 +0.30 +0.00	17.00 +0.00 -0.07	25.00 +0.052 +0.000	14.83
MPU-24X32X5.7	24	32	5.7	6.30 +0.30 +0.00	24.00 +0.000 -0.084	32.00 +0.062 +0.000	14.83
MPU-25X35X7.3	25	35	7.3	8.00 +0.30 +0.00	25.00 +0.000 -0.084	35.00 +0.062 +0.000	16.13
MPU-21X37X11.8	21	37	11.8	13.00 +0.30 +0.00	21.00 +0.000 -0.084	37.00 +0.062 +0.000	17.30
MPU-30X40X7.3	30	40	7.3	8.00 +0.30 +0.00	30.00 +0.000 -0.084	40.00 +0.062 +0.000	16.13
MPU-35X45X6	35	45	6	7.00 +0.30 +0.00	35.00 +0.00 -0.10	45.00 +0.062 +0.000	21.54
MPU-35X45X7	35	45	7	8.00 +0.30 +0.00	35.00 +0.00 -0.10	45.00 +0.062 +0.000	12.78
MPU-32X50X10	32	50	10	11.00 +0.30 +0.00	32.00 +0.00 -0.10	50.00 +0.062 +0.000	14.61
MPU-40X50X6	40	50	6	7.00 +0.30 +0.00	40.00 +0.00 -0.10	50.00 +0.062 +0.000	24.80
MPU-40X50X7.3	40	50	7.3	8.00 +0.30 +0.00	40.00 +0.00 -0.10	50.00 +0.062 +0.000	22.46
MPU-40X50X7.5	40	50	7.5	8.50 +0.30 +0.00	40.00 +0.00 -0.10	50.00 +0.062 +0.000	22.00
MPU-45X55X6	45	55	6	7.00 +0.30 +0.00	45.00 +0.00 -0.10	55.00 +0.074 +0.000	23.83
MPU-45X55X7.3	45	55	7.3	8.00 +0.30 +0.00	45.00 +0.00 -0.10	55.00 +0.074 +0.000	22.46
MPU-45X55X7.4	45	55	7.4	8.40 +0.30 +0.00	45.00 +0.00 -0.10	55.00 +0.074 +0.000	23.18

STYLE MPU PISTON SEALS



Part Number	A Nom. ID	B Nom. OD	C Nom. Ht	D GROOVE WIDTH	H GROOVE DIAMETER	J BORE DIAMETER	List Price
MPU-45X60X10	45	60	10	11.00 ^{+0.30} / _{+0.00}	45.00 ^{+0.00} / _{-0.10}	60.00 ^{+0.074} / _{+0.000}	19.97
MPU-50X60X6	50	60	6	7.00 ^{+0.30} / _{+0.00}	50.00 ^{+0.00} / _{-0.10}	60.00 ^{+0.074} / _{+0.000}	23.90
MPU-50X60X7	50	60	7	8.00 ^{+0.30} / _{+0.00}	50.00 ^{+0.00} / _{-0.10}	60.00 ^{+0.074} / _{+0.000}	23.90
MPU-48X63X9-A	48	63	9	10.00 ^{+0.30} / _{+0.00}	48.00 ^{+0.00} / _{-0.10}	63.00 ^{+0.074} / _{+0.000}	6.82
MPU-48X63X11.4	48	63	11.4	12.50 ^{+0.30} / _{+0.00}	48.00 ^{+0.00} / _{-0.10}	63.00 ^{+0.074} / _{+0.000}	19.97
MPU-53X63X7	53	63	7	8.00 ^{+0.30} / _{+0.00}	53.00 ^{+0.00} / _{-0.12}	63.00 ^{+0.074} / _{+0.000}	17.37
MPU-53X63X7.3	53	63	7.3	8.00 ^{+0.30} / _{+0.00}	53.00 ^{+0.00} / _{-0.12}	63.00 ^{+0.074} / _{+0.000}	19.33
MPU-53X63X12	53	63	12	13.00 ^{+0.30} / _{+0.00}	53.00 ^{+0.00} / _{-0.12}	63.00 ^{+0.074} / _{+0.000}	16.23
MPU-50X65X10	50	65	10	11.00 ^{+0.30} / _{+0.00}	50.00 ^{+0.00} / _{-0.10}	65.00 ^{+0.074} / _{+0.000}	32.89
MPU-55X65X7	55	65	7	8.00 ^{+0.30} / _{+0.00}	55.00 ^{+0.00} / _{-0.12}	65.00 ^{+0.074} / _{+0.000}	8.60
MPU-55X65X7.2	55	65	7.2	8.20 ^{+0.30} / _{+0.00}	55.00 ^{+0.00} / _{-0.12}	65.00 ^{+0.074} / _{+0.000}	27.54
MPU-50X70X12	50	70	12	13.00 ^{+0.30} / _{+0.00}	50.00 ^{+0.00} / _{-0.10}	70.00 ^{+0.074} / _{+0.000}	35.99
MPU-50X70X15	50	70	15	16.00 ^{+0.30} / _{+0.00}	50.00 ^{+0.00} / _{-0.10}	70.00 ^{+0.074} / _{+0.000}	17.37
MPU-55X70X9	55	70	9	10.00 ^{+0.30} / _{+0.00}	55.00 ^{+0.00} / _{-0.12}	70.00 ^{+0.074} / _{+0.000}	36.61
MPU-55X70X10	55	70	10	11.00 ^{+0.30} / _{+0.00}	55.00 ^{+0.00} / _{-0.12}	70.00 ^{+0.074} / _{+0.000}	25.09
MPU-60X70X6	60	70	6	7.00 ^{+0.30} / _{+0.00}	60.00 ^{+0.00} / _{-0.12}	70.00 ^{+0.074} / _{+0.000}	31.18
MPUN-60X70X6	60	70	6	7.00 ± 0.20	60.00 ^{+0.20} / _{+0.00}	70.00 ^{+0.074} / _{+0.000}	34.76
MPU-60X70X12	60	70	12	13.00 ^{+0.30} / _{+0.00}	60.00 ^{+0.00} / _{-0.12}	70.00 ^{+0.074} / _{+0.000}	12.02
MPU-61X71X6	61	71	6	7.00 ^{+0.30} / _{+0.00}	61.00 ^{+0.00} / _{-0.12}	71.00 ^{+0.074} / _{+0.000}	35.99
MPU-57X73X10	57	73	10	11.00 ^{+0.30} / _{+0.00}	57.00 ^{+0.00} / _{-0.12}	73.00 ^{+0.074} / _{+0.000}	34.35
MPU-65X75X6	65	75	6	7.00 ^{+0.30} / _{+0.00}	65.00 ^{+0.00} / _{-0.12}	75.00 ^{+0.074} / _{+0.000}	35.99
MPU-67X75X8.8	67	75	8.8	9.70 ^{+0.30} / _{+0.00}	67.00 ^{+0.00} / _{-0.12}	75.00 ^{+0.074} / _{+0.000}	21.28
MPU-62X78X10	62	78	10	11.00 ^{+0.30} / _{+0.00}	62.00 ^{+0.00} / _{-0.12}	78.00 ^{+0.074} / _{+0.000}	31.34
MPU-60X80X12	60	80	12	13.00 ^{+0.30} / _{+0.00}	60.00 ^{+0.00} / _{-0.12}	80.00 ^{+0.074} / _{+0.000}	66.29
MPU-65X80X9	65	80	9	10.00 ^{+0.30} / _{+0.00}	65.00 ^{+0.00} / _{-0.12}	80.00 ^{+0.074} / _{+0.000}	66.29
MPU-65X80X11.4	65	80	11.4	12.50 ^{+0.30} / _{+0.00}	65.00 ^{+0.00} / _{-0.12}	80.00 ^{+0.074} / _{+0.000}	37.85
MPU-65X80X12	65	80	12	13.00 ^{+0.30} / _{+0.00}	65.00 ^{+0.00} / _{-0.12}	80.00 ^{+0.074} / _{+0.000}	17.37
MPU-70X80X6	70	80	6	7.00 ^{+0.30} / _{+0.00}	70.00 ^{+0.00} / _{-0.12}	80.00 ^{+0.074} / _{+0.000}	53.77
MPU-70X80X6.8	70	80	6.8	7.50 ^{+0.30} / _{+0.00}	70.00 ^{+0.00} / _{-0.12}	80.00 ^{+0.074} / _{+0.000}	24.46
MPU-70X80X7	70	80	7	8.00 ^{+0.30} / _{+0.00}	70.00 ^{+0.00} / _{-0.12}	80.00 ^{+0.074} / _{+0.000}	14.61
MPU-70X90X12	70	90	12	13.00 ^{+0.30} / _{+0.00}	70.00 ^{+0.00} / _{-0.12}	90.00 ^{+0.087} / _{+0.000}	84.45
MPU-75X90X9	75	90	9	10.00 ^{+0.30} / _{+0.00}	75.00 ^{+0.00} / _{-0.12}	90.00 ^{+0.087} / _{+0.000}	43.99
MPU-80X90X6	80	90	6	7.00 ^{+0.30} / _{+0.00}	80.00 ^{+0.00} / _{-0.12}	90.00 ^{+0.087} / _{+0.000}	63.37

PISTON U-SEALS



STYLE MPU PISTON SEALS

PISTON U-SEALS

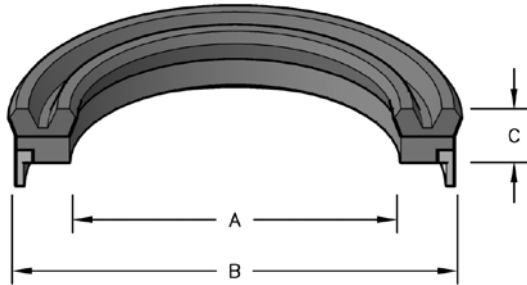
Part Number	A Nom. ID	B Nom. OD	C Nom. Ht	D GROOVE WIDTH	H GROOVE DIAMETER	J BORE DIAMETER	List Price
MPU-75X100X18	75	100	18	19.00 ^{+0.30} / _{+0.00}	75.00 ^{-0.030} / _{-0.076}	100.00 ^{+0.087} / _{+0.000}	43.13
MPU-80X100X12	80	100	12	13.00 ^{+0.30} / _{+0.00}	80.00 ^{+0.00} / _{-0.12}	100.00 ^{+0.087} / _{+0.000}	61.96
MPU-85X100X9	85	100	9	10.00 ^{+0.30} / _{+0.00}	85.00 ^{+0.00} / _{-0.14}	100.00 ^{+0.087} / _{+0.000}	55.34
MPU-85X100X11.4	85	100	11.4	12.50 ^{+0.30} / _{+0.00}	85.00 ^{+0.00} / _{-0.14}	100.00 ^{+0.087} / _{+0.000}	36.11
MPU-90X100X6.8	90	100	6.8	7.50 ^{+0.30} / _{+0.00}	90.00 ^{+0.00} / _{-0.14}	100.00 ^{+0.087} / _{+0.000}	32.01
MPU-85X105X15	85	105	15	16.00 ^{+0.30} / _{+0.00}	85.00 ^{+0.00} / _{-0.14}	105.00 ^{+0.087} / _{+0.000}	66.95
MPU-90X110X12	90	110	12	13.00 ^{+0.30} / _{+0.00}	90.00 ^{+0.00} / _{-0.14}	110.00 ^{+0.087} / _{+0.000}	69.06
MPU-100X110X8	100	110	8	9.00 ^{+0.30} / _{+0.00}	100.00 ^{+0.00} / _{-0.14}	110.00 ^{+0.087} / _{+0.000}	69.06
MPU-100X120X15	100	120	15	16.00 ^{+0.30} / _{+0.00}	100.00 ^{+0.00} / _{-0.14}	120.00 ^{+0.10} / _{+0.00}	68.03
MPU-105X125X14.5	105	125	14.5	16.00 ^{+0.30} / _{+0.00}	105.00 ^{+0.00} / _{-0.14}	125.00 ^{+0.10} / _{+0.00}	76.58
MPU-115X125X15	115	125	15	16.00 ^{+0.30} / _{+0.00}	115.00 ^{+0.00} / _{-0.14}	125.00 ^{+0.10} / _{+0.00}	25.49
MPU-120X140X16	120	140	16	17.00 ^{+0.30} / _{+0.00}	120.00 ^{+0.00} / _{-0.14}	140.00 ^{+0.10} / _{+0.00}	94.56
MPU-130X150X14.5	130	150	14.5	16.00 ^{+0.30} / _{+0.00}	130.00 ^{+0.00} / _{-0.16}	150.00 ^{+0.10} / _{+0.00}	91.40
MPU-140X150X13.6	140	150	13.6	15.00 ^{+0.30} / _{+0.00}	140.00 ^{+0.00} / _{-0.16}	150.00 ^{+0.10} / _{+0.00}	70.64
MPU-140X160X18.2	140	160	18.2	20.00 ^{+0.30} / _{+0.00}	140.00 ^{+0.00} / _{-0.16}	160.00 ^{+0.10} / _{+0.00}	96.86
MPU-180X200X14.5	180	200	14.5	16.00 ^{+0.30} / _{+0.00}	180.00 ^{+0.00} / _{-0.16}	200.00 ^{+0.115} / _{+0.000}	121.22

Seal color may vary. Special order sizes are available. Sizes not shown and out of stock items can also be ordered for next day delivery through Seals On Demand, our custom seal program. Please call your regional sales team for assistance.

STYLE MUFN-UWO PISTON SEALS



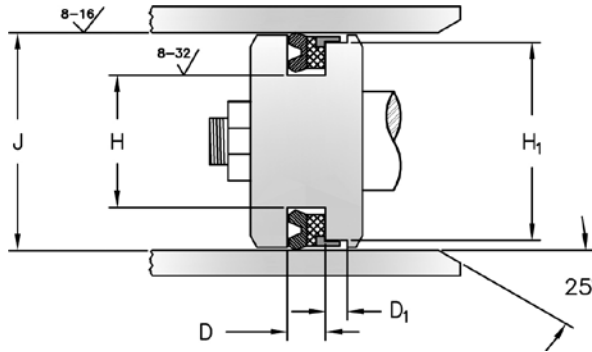
Constructed of a rubber seal lip with a rubberized fabric heel, these seals feature a polyacetal bearing ring. These seals offer excellent sealing ability and high pressure capability. They are commonly used with our MSR retention rings.



HERCULES PART NUMBERS

MUFN - 26 X 40 X 9
 Type of Seal Inside Diameter Outside Diameter Height

SEAL INFORMATION	
MATERIAL	NITRILE / FABRIC BASE ACETAL BEARING
TEMPERATURE RANGE	-22° TO +220° F
PRESSURE RANGE	0 TO 6,000 PSI
SPEED	1.5 FT/SEC

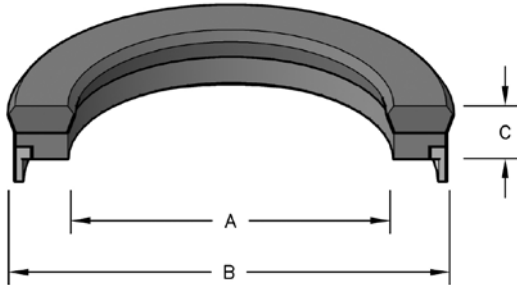


Part Number	A Nom. ID	B Nom. OD	C Nom. Ht	D SEAL GROOVE WIDTH	D ₁ BEARING GROOVE WIDTH	H GROOVE DIAMETER	H ₁ BEARING GROOVE DIAMETER	J BORE DIAMETER	C HEIGHT	List Price
MUFN-26X40X9UWO	26	40	9	9.00 +0.60 +0.40	6.40 +0.10 +0.00	26.00 ±0.065	35.40 ±0.08	40.00 +0.10 +0.00	9.00	\$22.34
MUFN-40X50X10UWO	40	50	10	10.00 +0.60 +0.40	6.40 +0.10 +0.00	40.00 ±0.08	46.43 ±0.08	50.00 +0.12 +0.00	10.00	16.53
MUFN-50X63X10UWO	50	63	10	10.00 +0.60 +0.40	6.40 +0.10 +0.00	50.00 ±0.08	58.40 ±0.095	63.00 +0.12 +0.00	10.00	23.95
MUFN-60X80X14UWO	60	80	14	14.00 +0.60 +0.40	6.40 +0.10 +0.00	60.00 ±0.095	74.15 ±0.095	80.00 +0.14 +0.00	14.00	26.49
MUFN-70X90X14UWO	70	90	14	14.00 +0.60 +0.40	6.40 +0.10 +0.00	70.00 ±0.095	84.10 ±0.11	90.00 +0.14 +0.00	14.00	29.12
MUFN-80X100X14UWO	80	100	14	14.00 +0.60 +0.40	6.40 +0.10 +0.00	80.00 ±0.095	94.15 ±0.11	100.00 +0.14 +0.00	14.00	27.68

PISTON U-SEALS

STYLE MUFN-PWO PISTON SEALS

Constructed of a rubber seal lip with a rubberized fabric heel, these seals feature a polyacetal bearing ring. These seals offer excellent sealing ability and high pressure capability. The solid lip area increases the radial interference for improved low-pressure sealing. They are commonly used with our MSR retainer rings.

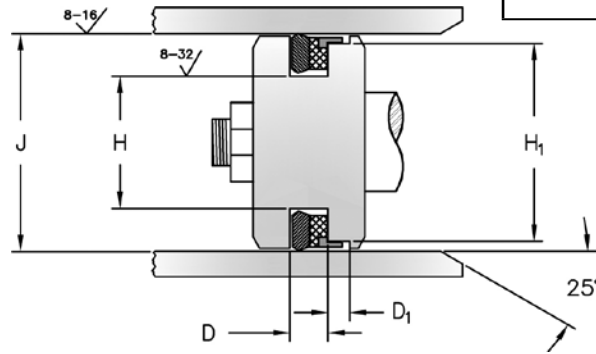


HERCULES PART NUMBERS

MUFN - 30 X 50 X 14

Type of Seal Inside Diameter Outside Diameter Height

SEAL INFORMATION	
MATERIAL	NITRILE / FABRIC BASE ACETAL BEARING
TEMPERATURE RANGE	-22° TO +220° F
PRESSURE RANGE	0 TO 6,000 PSI
SPEED	1.5 FT/SEC

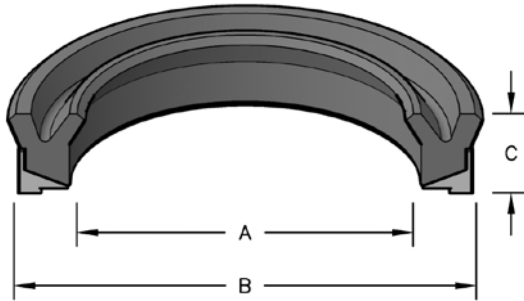


Part Number	A Nom. ID	B Nom. OD	C Nom. Ht	D SEAL GROOVE WIDTH	D ₁ BEARING GROOVE WIDTH	H GROOVE DIAMETER	H ₁ BEARING GROOVE DIAMETER	J BORE DIAMETER	List Price
MUFN-30X50X14PWO	30	50	14	14.00 +0.60 +0.40	6.40 +0.10 +0.00	30.00 ±0.065	44.30 ±0.08	50.00 +0.10 +0.00	\$20.20
MUFN-40X60X14PWO	40	60	14	14.00 +0.60 +0.40	6.40 +0.10 +0.00	40.00 ±0.08	54.20 ±0.095	60.00 +0.12 +0.00	21.64
MUFN-45X60X10.5PWO	45	60	10.5	10.50 +0.60 +0.40	6.40 +0.10 +0.00	45.00 ±0.08	54.20 ±0.095	60.00 +0.12 +0.00	14.08
MUFN-50X70X14PWO	50	70	14	14.00 +0.60 +0.40	6.40 +0.10 +0.00	50.00 ±0.08	64.30 ±0.095	70.00 +0.12 +0.00	21.87
MUFN-60X80X14PWO	60	80	14	14.00 +0.60 +0.40	6.40 +0.10 +0.00	60.00 ±0.095	74.20 ±0.095	80.00 +0.12 +0.00	24.83
MUFN-70X90X14PWO	70	90	14	14.00 +0.60 +0.40	6.40 +0.10 +0.00	70.00 ±0.095	84.20 ±0.11	90.00 +0.14 +0.00	30.52
MUFN-80X100X14PWO	80	100	14	14.00 +0.60 +0.40	6.40 +0.10 +0.00	80.00 ±0.095	94.20 ±0.11	100.00 +0.14 +0.00	32.98
MUFN-85X104.5X12.5PWO	85	104.5	12.8	12.50 +0.60 +0.40	6.40 +0.10 +0.00	85.00 ±0.11	98.80 ±0.11	104.50 +0.14 +0.00	38.14
MUFN-85X105X14PWO	85	105	14	14.00 +0.60 +0.40	6.40 +0.10 +0.00	85.00 ±0.11	99.42 ±0.11	105.00 +0.14 +0.00	35.66
MUFN-90X110X12.5PWO	90	110	12.5	12.50 +0.60 +0.40	6.40 +0.10 +0.00	90.00 ±0.11	104.10 ±0.11	110.00 +0.14 +0.00	22.26

STYLE MHP26 TWO PIECE PISTON SEALS



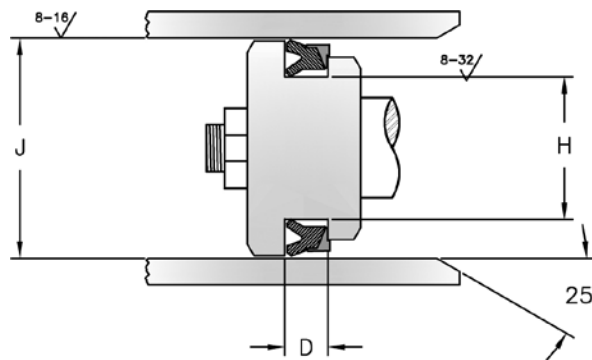
Molded from 70A nitrile for high sealability, they employ a hard nylon anti-extrusion ring as a companion piece.



HERCULES PART NUMBERS

MHP26 - 045
 Type of Seal Outside Diameter

SEAL INFORMATION	
MATERIAL	70A NITRILE NYLON BACK-UP
TEMPERATURE RANGE	-20° TO +220° F
PRESSURE RANGE	0 TO 3,000 PSI
SPEED	3 FT/SEC



Part Number	A Nom. ID	B Nom. OD	C Nom. Ht	D GROOVE WIDTH	H GROOVE DIAMETER	J BORE DIAMETER	List Price
MHP26-045	27	45	12	12.50 ^{+0.20} / _{+0.00}	27.00 ^{+0.00} / _{-0.20}	45.00 ^{+0.062} / _{+0.000}	\$48.94
MHP26-050	32	50	12	12.50 ^{+0.20} / _{+0.00}	32.00 ^{+0.00} / _{-0.20}	50.00 ^{+0.062} / _{+0.000}	61.67
MHP26-055	37	55	12	12.50 ^{+0.20} / _{+0.00}	37.00 ^{+0.00} / _{-0.20}	55.00 ^{+0.074} / _{+0.000}	61.67
MHP26-060	42	60	12	12.50 ^{+0.20} / _{+0.00}	42.00 ^{+0.00} / _{-0.20}	60.00 ^{+0.074} / _{+0.000}	61.67
MHP26-065	47	65	12	12.50 ^{+0.20} / _{+0.00}	47.00 ^{+0.00} / _{-0.20}	65.00 ^{+0.074} / _{+0.000}	61.67
MHP26-070	48	70	14.5	15.00 ^{+0.20} / _{+0.00}	48.00 ^{+0.00} / _{-0.20}	70.00 ^{+0.074} / _{+0.000}	61.67
MHP26-080	58	80	14.5	15.00 ^{+0.20} / _{+0.00}	58.00 ^{+0.00} / _{-0.20}	80.00 ^{+0.074} / _{+0.000}	61.67
MHP26-090	68	90	14.5	15.00 ^{+0.20} / _{+0.00}	68.00 ^{+0.00} / _{-0.20}	90.00 ^{+0.087} / _{+0.000}	72.86
MHP26-100	78	100	14.5	15.00 ^{+0.20} / _{+0.00}	78.00 ^{+0.00} / _{-0.20}	100.00 ^{+0.087} / _{+0.000}	72.86
MHP26-110	88	110	14.5	15.00 ^{+0.20} / _{+0.00}	88.00 ^{+0.00} / _{-0.20}	110.00 ^{+0.087} / _{+0.000}	81.50
MHP26-115	93	115	14.5	15.00 ^{+0.20} / _{+0.00}	93.00 ^{+0.00} / _{-0.20}	115.00 ^{+0.087} / _{+0.000}	81.50
MHP26-120	98	120	14.5	15.00 ^{+0.20} / _{+0.00}	98.00 ^{+0.00} / _{-0.20}	120.00 ^{+0.087} / _{+0.000}	84.56
MHP26-125	103	125	14.5	15.00 ^{+0.20} / _{+0.00}	103.00 ^{+0.00} / _{-0.20}	125.00 ^{+0.10} / _{+0.00}	91.75
MHP26-130	108	130	14.5	15.00 ^{+0.20} / _{+0.00}	108.00 ^{+0.00} / _{-0.20}	130.00 ^{+0.10} / _{+0.00}	91.75
MHP26-140	118	140	14.5	15.00 ^{+0.20} / _{+0.00}	118.00 ^{+0.00} / _{-0.20}	140.00 ^{+0.10} / _{+0.00}	105.79
MHP26-150	128	150	14.5	15.00 ^{+0.20} / _{+0.00}	128.00 ^{+0.00} / _{-0.20}	150.00 ^{+0.10} / _{+0.00}	117.94
MHP26-160	138	160	14.5	15.00 ^{+0.20} / _{+0.00}	138.00 ^{+0.00} / _{-0.20}	160.00 ^{+0.10} / _{+0.00}	127.13

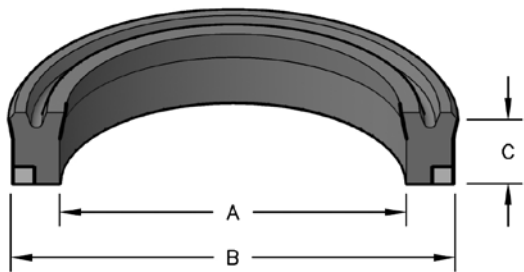
PISTON U-SEALS

STYLE MHP26 TWO PIECE PISTON SEALS

Part Number	A Nom. ID	B Nom. OD	C Nom. Ht	D GROOVE WIDTH	H GROOVE DIAMETER	J BORE DIAMETER	List Price
MHP26-170	148	170	14.5	15.00 ^{+0.20} / _{+0.00}	148.00 ^{+0.00} / _{-0.20}	170.00 ^{+0.10} / _{+0.00}	137.29
MHP26-180	158	180	14.5	15.00 ^{+0.20} / _{+0.00}	158.00 ^{+0.00} / _{-0.20}	180.00 ^{+0.10} / _{+0.00}	146.64
MHP26-190	168	190	14.5	15.00 ^{+0.20} / _{+0.00}	168.00 ^{+0.00} / _{-0.20}	190.00 ^{+0.115} / _{+0.000}	155.68
MHP26-200	178	200	14.5	15.00 ^{+0.20} / _{+0.00}	178.00 ^{+0.00} / _{-0.20}	200.00 ^{+0.115} / _{+0.000}	159.17

STYLE MHP27 U-TYPE PISTON SEALS

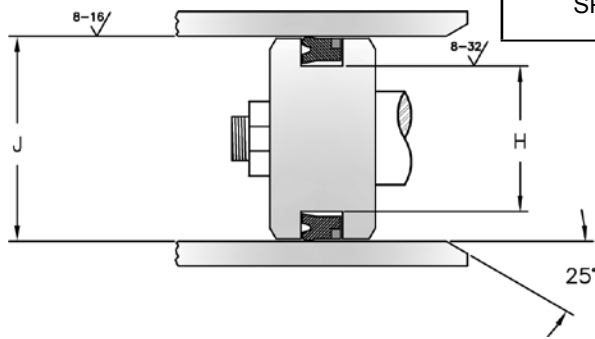
Molded from 70A nitrile for high sealability, they employ a hard acetal anti-extrusion ring as a companion piece.



HERCULES PART NUMBERS

MHP27 - 040

Type of Seal Outside Diameter



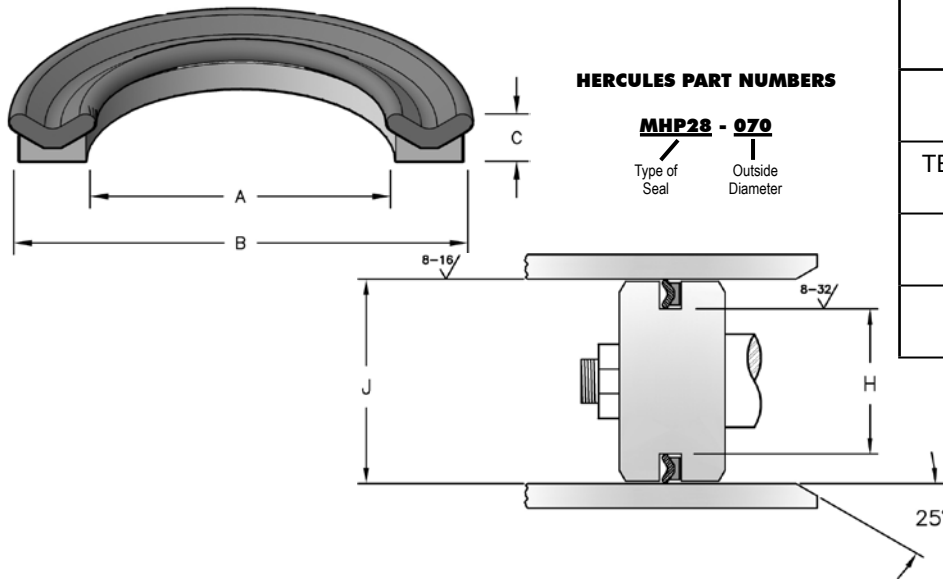
SEAL INFORMATION	
MATERIAL	70A NITRILE ACETAL BACK-UP
TEMPERATURE RANGE	-20° TO +220° F
PRESSURE RANGE	0 TO 4,000 PSI
SPEED	3 FT/SEC

Part Number	A Nom. ID	B Nom. OD	C Nom. Ht	H GROOVE DIAMETER	J BORE DIAMETER	List Price
MHP27-040	25	40	12	25.00	40.00	\$13.69
MHP27-050	35	50	12	35.00	50.00	18.24
MHP27-060	35	60	15.5	35.00	60.00	33.12
MHP27-070	45	70	15.5	45.00	70.00	23.90
MHP27-090	65	90	18	65.00	90.00	26.57
MHP27-095	70	95	18	70.00	95.00	104.56
MHP27-100	75	100	18	75.00	100.00	33.73

STYLE MHP28 U-TYPE PISTON SEALS



Molded from 70A nitrile for high sealability, they employ a hard nylon anti-extrusion ring as a companion piece.

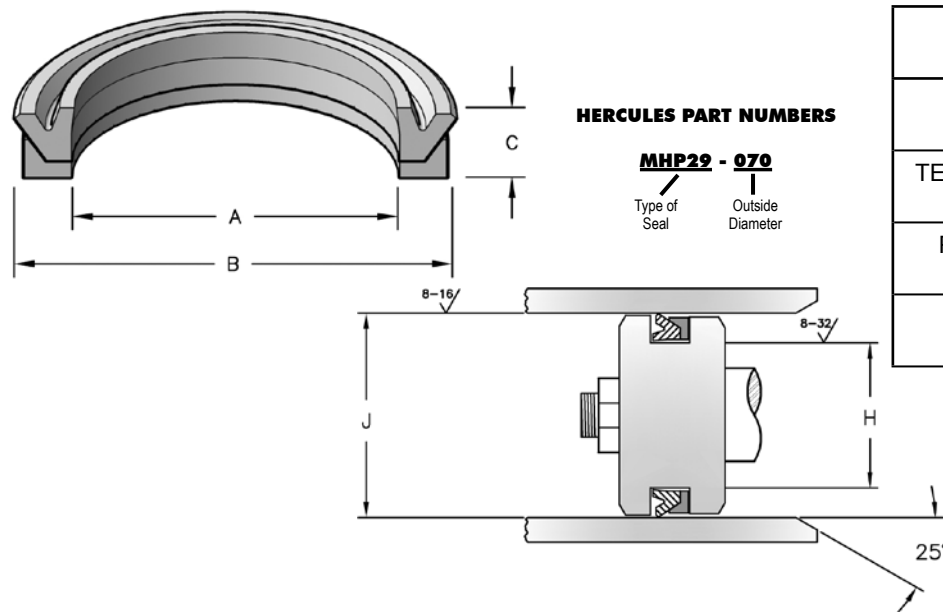


SEAL INFORMATION	
MATERIAL	70A NITRILE NYLON BACK-UP
TEMPERATURE RANGE	-20° TO +220° F
PRESSURE RANGE	0 TO 3,000 PSI
SPEED	3 FT/SEC

Part Number	A Nom. ID	B Nom. OD	C Nom. Ht	H GROOVE DIAMETER	J BORE DIAMETER	List Price
MHP28-070	40	70	12	40.00	70.00	\$81.23

STYLE MHP29 U-TYPE PISTON SEALS

Molded from urethane for resistance to extrusion and abrasion, they employ a hard nylon anti-extrusion ring.



SEAL INFORMATION	
MATERIAL	URETHANE SEAL NYLON BACK-UP
TEMPERATURE RANGE	-40° TO +200° F
PRESSURE RANGE	0 TO 3,000 PSI
SPEED	3 FT/SEC

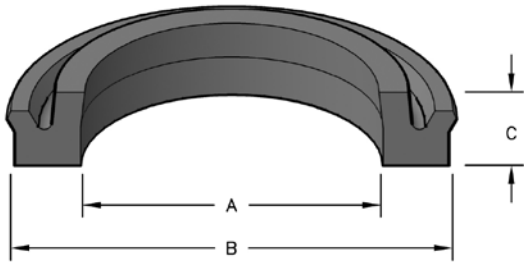
Part Number	A Nom. ID	B Nom. OD	C Nom. Ht	H GROOVE DIAMETER	J BORE DIAMETER	List Price
MHP29-070	55	70	12	55.00	70.00	\$81.23
MHP29-075	60	75	12	60.00	75.00	85.82
MHP29-085	70	85	12	70.00	85.00	94.96

FORMERLY LISTED REPAIR PARTS ARE AVAILABLE ONLINE AT WWW.HERCULESUS.COM
OR BY CONTACTING YOUR REGIONAL HERCULES SALES TEAM.

PISTON U-SEALS

STYLE MUKPN U-TYPE PISTON SEALS

MUKPN is an asymmetrical single-acting pneumatic piston seal. Molded in nitrile, this seal is resistant to water and most oils while maintaining good low-pressure sealing. MUKPV - 85 A Fluorocarbon.

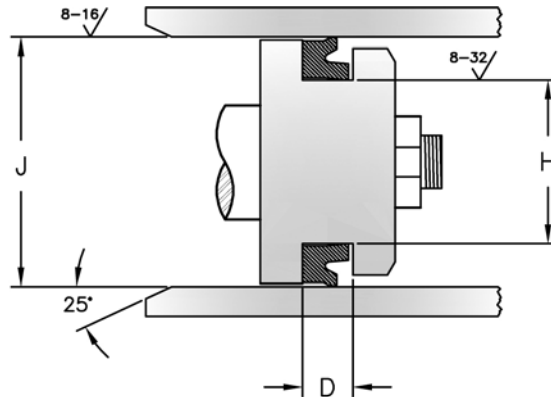


HERCULES PART NUMBERS

MUKPN - 8 X 5 X 4

Type of Seal: MUKPN
 Outside Diameter: 8
 Inside Diameter: 5
 Height: 4

SEAL INFORMATION	
MATERIAL	80 A NBR
TEMPERATURE RANGE	-22° TO +212° F
PRESSURE RANGE	0 TO 1,450
SPEED	3 FT/SEC



PISTON U-SEALS

Part Number	A Nom. ID	B Nom. OD	C Nom. Ht	D GROOVE WIDTH	H GROOVE DIAMETER	J BORE DIAMETER	List Price
MUKPN-16X8X5.5	8	16	5.5	6.00 +0.20 +0.00	8.00 +0.000 -0.036	16.00 +0.11 +0.00	\$6.36
MUKPN-16X10X4	10	16	4	4.50 +0.20 +0.00	10.00 +0.000 -0.036	16.00 +0.11 +0.00	6.36
MUKPN-20X12X5.5	12	20	5.5	6.00 +0.20 +0.00	12.00 +0.000 -0.043	20.00 +0.13 +0.00	6.36
MUKPN-20X14X5.5	14	20	5.5	5.90 +0.20 -0.10	14.00 +0.000 -0.043	20.00 +0.13 +0.00	8.12
MUKPN-25X15X5	15	25	5	5.50 +0.20 +0.00	15.00 +0.000 -0.043	25.00 +0.13 +0.00	8.12
MUKPN-28X16X9	16	28	9	10.00 +0.20 +0.00	16.00 +0.000 -0.043	28.00 +0.13 +0.00	8.12
MUKPN-30X15X10	15	30	10	11.00 +0.20 +0.00	15.00 +0.000 -0.043	30.00 +0.13 +0.00	8.12
MUKPN-30X20X7	20	30	7	7.50 +0.20 +0.00	20.00 +0.000 -0.052	30.00 +0.13 +0.00	10.26
MUKPN-30X22X5.5	22	30	5.5	6.00 +0.20 +0.00	22.00 +0.000 -0.052	30.00 +0.13 +0.00	29.10
MUKPN-32X22X7	22	32	7	7.50 +0.20 +0.00	22.00 +0.000 -0.052	32.00 +0.16 +0.00	10.26
MUKPN-32X24X5.5	24	32	5.5	6.00 +0.20 +0.00	24.00 +0.000 -0.052	32.00 +0.16 +0.00	10.26
MUKPN-36X24X9	24	36	9	10.00 +0.20 +0.00	24.00 +0.000 -0.052	36.00 +0.16 +0.00	10.70
MUKPN-40X28X9	28	40	9	10.00 +0.20 +0.00	28.00 +0.000 -0.052	40.00 +0.16 +0.00	9.40
MUKPN-40X30X7	30	40	7	7.50 +0.20 +0.00	30.00 +0.000 -0.052	40.00 +0.16 +0.00	9.40
MUKPN-40X32X3.25	32	40	3.25	3.75 +0.20 +0.00	32.00 +0.000 -0.062	40.00 +0.16 +0.00	9.40

STYLE MUKPN U-TYPE PISTON SEALS



PISTON U-SEALS

Part Number	A Nom. ID	B Nom. OD	C Nom. Ht	D GROOVE WIDTH	H GROOVE DIAMETER	J BORE DIAMETER	List Price
MUKPV-40X32X5.5	32	40	5.5	6.00 ^{+0.20} / _{+0.00}	32.00 ^{+0.000} / _{-0.062}	40.00 ^{+0.16} / _{+0.00}	24.58
MUKPN-45X33X9	33	45	9	10.00 ^{+0.20} / _{+0.00}	33.00 ^{+0.000} / _{-0.062}	45.00 ^{+0.16} / _{+0.00}	10.57
MUKPN-48X40X5.5	40	48	5.5	6.00 ^{+0.20} / _{+0.00}	40.00 ^{+0.000} / _{-0.062}	48.00 ^{+0.16} / _{+0.00}	27.66
MUKPN-50X38X6	38	50	6	6.50 ^{+0.20} / _{+0.00}	38.00 ^{+0.000} / _{-0.062}	50.00 ^{+0.16} / _{+0.00}	11.13
MUKPN-50X40X7.2	40	50	7.2	7.70 ^{+0.20} / _{+0.00}	40.00 ^{+0.000} / _{-0.062}	50.00 ^{+0.16} / _{+0.00}	11.13
MUKPN-50X42X3.25	42	50	3.25	3.75 ^{+0.20} / _{+0.00}	42.00 ^{+0.000} / _{-0.062}	50.00 ^{+0.16} / _{+0.00}	15.56
MUKPN-55X45X7.5	45	55	7.5	8.00 ^{+0.20} / _{+0.00}	45.00 ^{+0.000} / _{-0.062}	55.00 ^{+0.19} / _{+0.00}	12.65
MUKPN-60X44X12	44	60	12	13.00 ^{+0.20} / _{+0.00}	44.00 ^{+0.000} / _{-0.062}	60.00 ^{+0.19} / _{+0.00}	13.56
MUKPN-60X48X9	48	60	9	10.00 ^{+0.20} / _{+0.00}	48.00 ^{+0.000} / _{-0.062}	60.00 ^{+0.19} / _{+0.00}	13.56
MUKPN-60X50X7	50	60	7	7.50 ^{+0.20} / _{+0.00}	50.00 ^{+0.000} / _{-0.062}	60.00 ^{+0.19} / _{+0.00}	14.06
MUKPN-60X50X10.5	50	60	10.5	11.50 ^{+0.20} / _{+0.00}	50.00 ^{+0.000} / _{-0.062}	60.00 ^{+0.19} / _{+0.00}	29.88
MUKPN-65X53X10	53	65	10	11.00 ^{+0.20} / _{+0.00}	53.00 ^{+0.000} / _{-0.074}	65.00 ^{+0.19} / _{+0.00}	31.35
MUKPN-65X55X12	55	65	12	13.00 ^{+0.20} / _{+0.00}	55.00 ^{+0.000} / _{-0.074}	65.00 ^{+0.19} / _{+0.00}	14.86
MUKPN-70X58X8.5	58	70	8.5	9.50 ^{+0.20} / _{+0.00}	58.00 ^{+0.000} / _{-0.074}	70.00 ^{+0.19} / _{+0.00}	16.13
MUKPN-75X59X12	59	75	12	13.00 ^{+0.20} / _{+0.00}	59.00 ^{+0.000} / _{-0.074}	75.00 ^{+0.19} / _{+0.00}	19.63
MUKPN-75X63X8.5	63	75	8.5	9.50 ^{+0.20} / _{+0.00}	63.00 ^{+0.000} / _{-0.074}	75.00 ^{+0.19} / _{+0.00}	18.06
MUKPN-80X60X14	60	80	14	15.00 ^{+0.20} / _{+0.00}	60.00 ^{+0.000} / _{-0.074}	80.00 ^{+0.19} / _{+0.00}	46.15
MUKPN-80X68X8.5	68	80	8.5	9.50 ^{+0.20} / _{+0.00}	68.00 ^{+0.000} / _{-0.074}	80.00 ^{+0.19} / _{+0.00}	18.73
MUKPN-80X72X12	72	80	12	13.00 ^{+0.20} / _{+0.00}	72.00 ^{+0.000} / _{-0.074}	80.00 ^{+0.19} / _{+0.00}	19.21
MUKPN-85X73X8.2	73	85	8.2	9.20 ^{+0.20} / _{+0.00}	73.00 ^{+0.000} / _{-0.074}	85.00 ^{+0.22} / _{+0.00}	20.03
MUKPN-90X78X8.5	78	90	8.5	9.50 ^{+0.20} / _{+0.00}	78.00 ^{+0.000} / _{-0.074}	90.00 ^{+0.22} / _{+0.00}	22.58
MUKPN-100X82X13.5	82	100	13.5	14.50 ^{+0.20} / _{+0.00}	82.00 ^{+0.000} / _{-0.087}	100.00 ^{+0.22} / _{+0.00}	135.68
MUKPN-100X84X8	84	100	8	8.50 ^{+0.20} / _{+0.00}	84.00 ^{+0.000} / _{-0.087}	100.00 ^{+0.22} / _{+0.00}	29.30
MUKPN-100X88X8.5	88	100	8.5	9.50 ^{+0.20} / _{+0.00}	88.00 ^{+0.000} / _{-0.087}	100.00 ^{+0.22} / _{+0.00}	31.16
MUKPN-110X90X15	90	110	15	16.00 ^{+0.20} / _{+0.00}	90.00 ^{+0.000} / _{-0.087}	110.00 ^{+0.22} / _{+0.00}	32.42
MUKPN-110X95X10.4	95	110	10.4	11.40 ^{+0.20} / _{+0.00}	95.00 ^{+0.000} / _{-0.087}	110.00 ^{+0.22} / _{+0.00}	32.42
MUKPN-115X100X10	100	115	10	11.00 ^{+0.20} / _{+0.00}	100.00 ^{+0.000} / _{-0.087}	115.00 ^{+0.22} / _{+0.00}	34.32
MUKPN-120X105X10	105	120	10	11.00 ^{+0.20} / _{+0.00}	105.00 ^{+0.000} / _{-0.087}	120.00 ^{+0.22} / _{+0.00}	36.44
MUKPN-125X110X10	110	125	10	11.00 ^{+0.20} / _{+0.00}	110.00 ^{+0.000} / _{-0.087}	125.00 ^{+0.25} / _{+0.00}	33.03
MUKPN-140X125X10	125	140	10	11.00 ^{+0.20} / _{+0.00}	125.00 ^{+0.00} / _{-0.10}	140.00 ^{+0.25} / _{+0.00}	40.09
MUKPN-150X135X10	135	150	10	11.00 ^{+0.20} / _{+0.00}	135.00 ^{+0.00} / _{-0.10}	150.00 ^{+0.25} / _{+0.00}	98.71
MUKPN-160X145X10	145	160	10	11.00 ^{+0.20} / _{+0.00}	145.00 ^{+0.00} / _{-0.10}	160.00 ^{+0.25} / _{+0.00}	48.77
MUKPN-200X180X8.25	180	200	8.25	9.25 ^{+0.20} / _{+0.00}	180.00 ^{+0.00} / _{-0.10}	200.00 ^{+0.29} / _{+0.00}	104.96



STYLE MUKPN U-TYPE PISTON SEALS

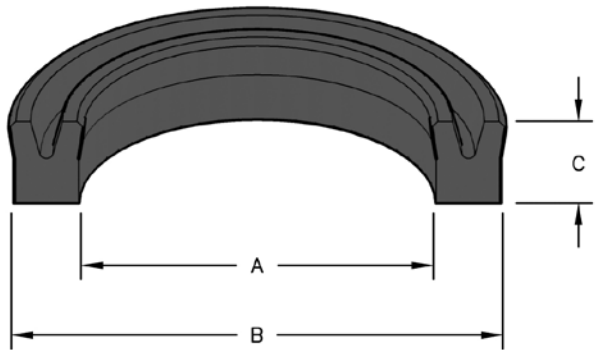
Part Number	A Nom. ID	B Nom. OD	C Nom. Ht	D GROOVE WIDTH	H GROOVE DIAMETER	J BORE DIAMETER	List Price
MUKPN-200X180X14	180	200	14	15.00 ^{+0.20} / _{+0.00}	180.00 ^{+0.00} / _{-0.10}	200.00 ^{+0.29} / _{+0.00}	111.46
MUKPN-250X230X14	230	250	14	15.00 ^{+0.20} / _{+0.00}	230.00 ^{+0.000} / _{-0.115}	250.00 ^{+0.29} / _{+0.00}	149.05

PISTON U-SEALS

STYLE MUU SYMMETRICAL U-SEALS



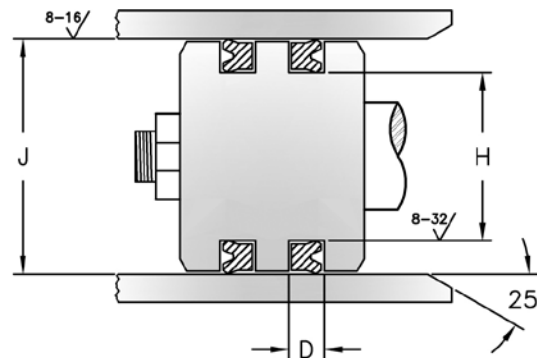
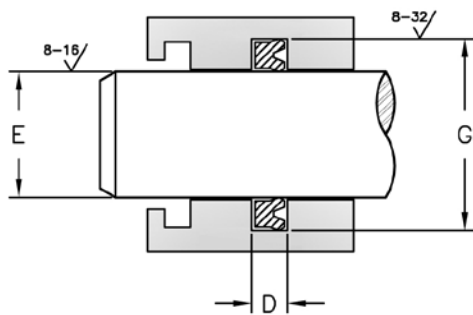
Utilizing tough polyurethane, these seals possess excellent wear and abrasion resistance. Symmetrical in design, they can be used in rod or piston applications. E= European Urethane.



HERCULES PART NUMBERS

MUU - 4 X 10 X 4
 Style Prefix Inside Diameter Outside Diameter Height

SEAL INFORMATION	
MATERIAL	URETHANE
TEMPERATURE RANGE	-22° TO +212° F
PRESSURE RANGE	0 TO 5,000 PSI
SPEED	3 FT/SEC



Part Number	A Nom. ID	B Nom. OD	C Nom. Ht	D GROOVE WIDTH	E ROD DIAMETER	G HOUSING DIAMETER	H GROOVE DIAMETER	J BORE DIAMETER	List Price
MUU-4X10X4	4	10	4	4.50 +0.30 +0.00	4.00 -0.010 -0.028	10.00 +0.00 -0.20	4.00 +0.000 -0.048	10.00 +0.036 +0.000	\$5.82
MUU-4X10X4.5	4	10	4.5	5.00 +0.30 +0.00	4.00 -0.010 -0.028	10.00 +0.00 -0.20	4.00 +0.000 -0.048	10.00 +0.036 +0.000	5.82
MUU-5X11X5	5	11	5	5.70 +0.30 +0.00	5.00 -0.010 -0.028	11.00 +0.00 -0.20	5.00 +0.000 -0.048	11.00 +0.043 +0.000	14.53
MUU-5X12X6	5	12	6	7.00 +0.30 +0.00	5.00 -0.010 -0.028	12.00 +0.00 -0.20	5.00 +0.000 -0.048	12.00 +0.043 +0.000	5.56
MUU-5X15X8	5	15	8	9.00 +0.30 +0.00	5.00 -0.010 -0.028	15.00 +0.00 -0.20	5.00 +0.000 -0.048	15.00 +0.043 +0.000	31.25
MUU-6X12X4	6	12	4	5.00 +0.30 +0.00	6.00 -0.010 -0.028	12.00 +0.00 -0.20	6.00 +0.000 -0.048	12.00 +0.043 +0.000	6.76
MUU-6X12X6	6	12	6	7.00 +0.30 +0.00	6.00 -0.010 -0.028	12.00 +0.00 -0.20	6.00 +0.000 -0.048	12.00 +0.043 +0.000	6.76
MUU-6X12X8	6	12	8	9.00 +0.30 +0.00	6.00 -0.010 -0.028	12.00 +0.00 -0.20	6.00 +0.000 -0.048	12.00 +0.043 +0.000	9.58
MUU-8X14X6	8	14	6	7.00 +0.30 +0.00	8.00 -0.013 -0.035	14.00 +0.00 -0.20	8.00 +0.000 -0.058	14.00 +0.043 +0.000	5.56
MUU-8X15X8	8	15	8	9.00 +0.30 +0.00	8.00 -0.013 -0.035	15.00 +0.00 -0.20	8.00 +0.000 -0.058	15.00 +0.043 +0.000	5.82
MUU-8X16X5.7	8	16	5.7	6.30 +0.30 +0.00	8.00 -0.013 -0.035	16.00 +0.00 -0.20	8.00 +0.000 -0.058	16.00 +0.043 +0.000	5.56
MUU-10X16X4	10	16	4	4.50 +0.30 +0.00	10.00 -0.013 -0.035	16.00 +0.00 -0.20	10.00 +0.000 -0.058	16.00 +0.043 +0.000	8.50
MUU-10X16X6	10	16	6	7.00 +0.30 +0.00	10.00 -0.013 -0.035	16.00 +0.00 -0.20	10.00 +0.000 -0.058	16.00 +0.043 +0.000	23.76
MUU-10X18X5.5	10	18	5.5	6.50 +0.30 +0.00	10.00 -0.013 -0.035	18.00 +0.00 -0.20	10.00 +0.000 -0.058	18.00 +0.043 +0.000	6.48
MUU-10X18X6	10	18	6	7.00 +0.30 +0.00	10.00 -0.013 -0.035	18.00 +0.00 -0.20	10.00 +0.000 -0.058	18.00 +0.043 +0.000	6.48
MUU-10X20X8	10	20	8	9.00 +0.30 +0.00	10.00 -0.013 -0.035	20.00 +0.084 +0.000	10.00 +0.000 -0.058	20.00 +0.052 +0.000	7.15
MUU-11.2X19.2X5	11.2	19.2	5	5.70 +0.30 +0.00	11.20 -0.016 -0.043	19.20 +0.00 -0.20	11.20 +0.00 -0.07	19.20 +0.052 +0.000	7.37
MUU-11.2X21.2X8	11.2	21.2	8	9.00 +0.30 +0.00	11.20 -0.016 -0.043	21.20 +0.084 +0.000	11.20 +0.00 -0.07	21.20 +0.052 +0.000	9.56

FORMERLY LISTED REPAIR PARTS ARE AVAILABLE ONLINE AT WWW.HERCULESUS.COM
 OR BY CONTACTING YOUR REGIONAL HERCULES SALES TEAM.



STYLE MUU SYMMETRICAL U-SEALS

U-SEALS

Part Number	A Nom. ID	B Nom. OD	C Nom. Ht	D GROOVE WIDTH	E ROD DIAMETER	G HOUSING DIAMETER	H GROOVE DIAMETER	J BORE DIAMETER	List Price
MUU-12X18X4.8	12	18	4.8	5.30 +0.30 +0.00	12.00 -0.016 -0.043	18.00 +0.00 -0.20	12.00 +0.00 -0.07	18.00 +0.043 +0.000	7.37
MUU-12X18X6	12	18	6	7.00 +0.30 +0.00	12.00 -0.016 -0.043	18.00 +0.00 -0.20	12.00 +0.00 -0.07	18.00 +0.043 +0.000	7.37
MUU-12X20X8	12	20	8	9.00 +0.30 +0.00	12.00 -0.016 -0.043	20.00 +0.00 -0.20	12.00 +0.00 -0.07	20.00 +0.052 +0.000	7.37
MUU-12X22X5	12	22	5	5.70 +0.30 +0.00	12.00 -0.016 -0.043	22.00 +0.00 -0.20	12.00 +0.00 -0.07	22.00 +0.052 +0.000	7.15
MUU-12X22X7	12	22	7	8.00 +0.30 +0.00	12.00 -0.016 -0.043	22.00 +0.00 -0.20	12.00 +0.00 -0.07	22.00 +0.052 +0.000	8.93
MUU-12X22X8	12	22	8	9.00 +0.30 +0.00	12.00 -0.016 -0.043	22.00 +0.00 -0.20	12.00 +0.00 -0.07	22.00 +0.052 +0.000	8.93
MUU-14X20X4.8	14	20	4.8	5.30 +0.30 +0.00	14.00 -0.016 -0.043	20.00 +0.00 -0.20	14.00 +0.00 -0.07	20.00 +0.052 +0.000	6.76
MUU-14X22X5	14	22	5	5.70 +0.30 +0.00	14.00 -0.016 -0.043	22.00 +0.00 -0.20	14.00 +0.00 -0.07	22.00 +0.052 +0.000	8.10
MUU-14X22X6	14	22	6	7.00 +0.30 +0.00	14.00 -0.016 -0.043	22.00 +0.00 -0.20	14.00 +0.00 -0.07	22.00 +0.052 +0.000	7.83
MUU-14X24X8	14	24	8	9.00 +0.30 +0.00	14.00 -0.016 -0.043	24.00 +0.084 +0.000	14.00 +0.00 -0.07	24.00 +0.052 +0.000	7.37
MUU-15X25X5	15	25	5	5.70 +0.30 +0.00	15.00 -0.016 -0.043	25.00 +0.00 -0.20	15.00 +0.00 -0.07	25.00 +0.052 +0.000	11.64
MUU-15X25X8	15	25	8	9.00 +0.30 +0.00	15.00 -0.016 -0.043	25.00 +0.084 +0.000	15.00 +0.00 -0.07	25.00 +0.052 +0.000	8.70
MUU-16X22X4	16	22	4	4.50 +0.30 +0.00	16.00 -0.016 -0.043	22.00 +0.00 -0.20	16.00 +0.00 -0.07	22.00 +0.052 +0.000	7.37
MUU-16X22X5	16	22	5	5.70 +0.30 +0.00	16.00 -0.016 -0.043	22.00 +0.00 -0.20	16.00 +0.00 -0.07	22.00 +0.052 +0.000	7.37
MUU-16X24X5	16	24	5	5.70 +0.30 +0.00	16.00 -0.016 -0.043	24.00 +0.00 -0.20	16.00 +0.00 -0.07	24.00 +0.052 +0.000	7.83
MUU-16X25X7.1	16	25	7.1	8.25 +0.30 +0.00	16.00 -0.016 -0.043	25.00 +0.00 -0.20	16.00 +0.00 -0.07	25.00 +0.052 +0.000	11.88
MUU-16X26X5	16	26	5	5.70 +0.30 +0.00	16.00 -0.016 -0.043	26.00 +0.00 -0.20	16.00 +0.00 -0.07	26.00 +0.052 +0.000	8.50
MUU-16X26X8	16	26	8	9.00 +0.30 +0.00	16.00 -0.016 -0.043	26.00 +0.084 +0.000	16.00 +0.00 -0.07	26.00 +0.052 +0.000	10.30
MUU-17X25X10	17	25	10	11.00 +0.30 +0.00	17.00 -0.016 -0.043	25.00 +0.00 -0.20	17.00 +0.00 -0.07	25.00 +0.052 +0.000	8.93
MUU-18X25X5	18	25	5	5.70 +0.30 +0.00	18.00 -0.016 -0.043	25.00 +0.00 -0.20	18.00 +0.00 -0.07	25.00 +0.052 +0.000	9.84
MUU-18X26X5	18	26	5	5.70 +0.30 +0.00	18.00 -0.016 -0.043	26.00 +0.00 -0.20	18.00 +0.00 -0.07	26.00 +0.052 +0.000	11.00
MUU-18X26X6.5	18	26	6.5	7.50 +0.30 +0.00	18.00 -0.016 -0.043	26.00 +0.00 -0.20	18.00 +0.00 -0.07	26.00 +0.052 +0.000	8.70
MUU-18X26X8	18	26	8	9.00 +0.30 +0.00	18.00 -0.016 -0.043	26.00 +0.00 -0.20	18.00 +0.00 -0.07	26.00 +0.052 +0.000	14.43
MUU-18X28X8	18	28	8	9.00 +0.30 +0.00	18.00 -0.016 -0.043	28.00 +0.084 +0.000	18.00 +0.00 -0.07	28.00 +0.052 +0.000	8.70
MUU-18X30X8	18	30	8	9.00 +0.30 +0.00	18.00 -0.016 -0.043	30.00 +0.00 -0.20	18.00 +0.00 -0.07	30.00 +0.052 +0.000	9.58
MUU-18X34X8	18	34	8	9.00 +0.30 +0.00	18.00 -0.016 -0.043	34.00 +0.00 -0.20	18.00 +0.00 -0.07	34.00 +0.062 +0.000	19.34
MUU-20X28X4	20	28	4	4.50 +0.30 +0.00	20.00 -0.020 -0.053	28.00 +0.00 -0.20	20.00 +0.000 -0.084	28.00 +0.052 +0.000	9.17
MUU-20X28X5	20	28	5	5.70 +0.30 +0.00	20.00 -0.020 -0.053	28.00 +0.00 -0.20	20.00 +0.000 -0.084	28.00 +0.052 +0.000	11.32
MUU-20X28X8	20	28	8	9.00 +0.30 +0.00	20.00 -0.020 -0.053	28.00 +0.00 -0.20	20.00 +0.000 -0.084	28.00 +0.052 +0.000	9.39
MUU-20X30X8	20	30	8	9.00 +0.30 +0.00	20.00 -0.020 -0.053	30.00 +0.084 +0.000	20.00 +0.000 -0.084	30.00 +0.052 +0.000	9.84
MUU-20X30X10	20	30	10	11.00 +0.30 +0.00	20.00 -0.020 -0.053	30.00 +0.00 -0.20	20.00 +0.000 -0.084	30.00 +0.052 +0.000	9.84
MUU-20X32X7.5	20	32	7.5	8.50 +0.30 +0.00	20.00 -0.020 -0.053	32.00 +0.00 -0.20	20.00 +0.000 -0.084	32.00 +0.062 +0.000	9.17
MUU-20X35X12	20	35	12	13.00 +0.30 +0.00	20.00 -0.020 -0.053	35.00 +0.00 -0.20	20.00 +0.000 -0.084	35.00 +0.062 +0.000	10.30

STYLE MUU SYMMETRICAL U-SEALS



Part Number	A Nom. ID	B Nom. OD	C Nom. Ht	D GROOVE WIDTH	E ROD DIAMETER	G HOUSING DIAMETER	H GROOVE DIAMETER	J BORE DIAMETER	List Price
MUU-20X40X10	20	40	10	11.00 +0.30 +0.00	20.00 -0.020 -0.053	40.00 +0.00 -0.20	20.00 +0.000 -0.084	40.00 +0.062 +0.000	12.08
MUU-20X40X12	20	40	12	13.00 +0.30 +0.00	20.00 -0.020 -0.053	40.00 +0.00 -0.20	20.00 +0.000 -0.084	40.00 +0.062 +0.000	18.44
MUU-22X28X8	22	28	8	9.00 +0.30 +0.00	22.00 -0.020 -0.053	28.00 +0.00 -0.20	22.00 +0.000 -0.084	28.00 +0.052 +0.000	10.50
MUU-22X30X6	22	30	6	7.00 +0.30 +0.00	22.00 -0.020 -0.053	30.00 +0.00 -0.20	22.00 +0.000 -0.084	30.00 +0.052 +0.000	9.84
MUU-22X30X7	22	30	7	8.00 +0.30 +0.00	22.00 -0.020 -0.053	30.00 +0.00 -0.20	22.00 +0.000 -0.084	30.00 +0.052 +0.000	10.61
MUU-22X30X10	22	30	10	11.00 +0.30 +0.00	22.00 -0.020 -0.053	30.00 +0.00 -0.20	22.00 +0.000 -0.084	30.00 +0.052 +0.000	10.40
MUU-22X32X8	22	32	8	9.00 +0.30 +0.00	22.00 -0.020 -0.053	32.00 +0.10 +0.00	22.00 +0.000 -0.084	32.00 +0.062 +0.000	10.30
MUU-22X35X10	22	35	10	11.00 +0.30 +0.00	22.00 -0.020 -0.053	35.00 +0.10 +0.00	22.00 +0.000 -0.084	35.00 +0.062 +0.000	9.58
MUU-22.4X30X5	22.4	30	5	5.70 +0.30 +0.00	22.40 -0.020 -0.053	30.00 +0.00 -0.20	22.40 +0.000 -0.084	30.00 +0.052 +0.000	15.48
MUU-23.5X31.5X5	23.5	31.5	5	5.70 +0.30 +0.00	23.50 -0.020 -0.053	31.50 +0.00 -0.20	23.50 +0.000 -0.084	31.50 +0.062 +0.000	15.60
MUU-24X32X7	24	32	7	8.00 +0.30 +0.00	24.00 -0.020 -0.053	32.00 +0.00 -0.20	24.00 +0.000 -0.084	32.00 +0.062 +0.000	8.50
MUU-24X36X8	24	36	8	9.00 +0.30 +0.00	24.00 -0.020 -0.053	36.00 +0.00 -0.20	24.00 +0.000 -0.084	36.00 +0.062 +0.000	7.32
MUU-24X40X8	24	40	8	9.00 +0.30 +0.00	24.00 -0.020 -0.053	40.00 +0.00 -0.20	24.00 +0.000 -0.084	40.00 +0.062 +0.000	10.78
MUU-25X30X8	25	30	8	9.00 +0.30 +0.00	25.00 -0.020 -0.053	30.00 +0.00 -0.20	25.00 +0.000 -0.084	30.00 +0.052 +0.000	8.49
MUU-25X33X5	25	33	5	5.70 +0.30 +0.00	25.00 -0.020 -0.053	33.00 +0.00 -0.20	25.00 +0.000 -0.084	33.00 +0.062 +0.000	15.60
MUU-25X33X5.7	25	33	5.7	6.30 +0.30 +0.00	25.00 -0.020 -0.053	33.00 +0.00 -0.20	25.00 +0.000 -0.084	33.00 +0.062 +0.000	7.83
MUU-25X33X8	25	33	8	9.00 +0.30 +0.00	25.00 -0.020 -0.053	33.00 +0.00 -0.20	25.00 +0.000 -0.084	33.00 +0.062 +0.000	10.30
MUU-25X35X5	25	35	5	5.70 +0.30 +0.00	25.00 -0.020 -0.053	35.00 +0.00 -0.20	25.00 +0.000 -0.084	35.00 +0.062 +0.000	9.58
MUU-25X35X6	25	35	6	7.00 +0.30 +0.00	25.00 -0.020 -0.053	35.00 +0.00 -0.20	25.00 +0.000 -0.084	35.00 +0.062 +0.000	15.60
MUU-25X35X8	25	35	8	9.00 +0.30 +0.00	25.00 -0.020 -0.053	35.00 +0.10 +0.00	25.00 +0.000 -0.084	35.00 +0.062 +0.000	7.83
MUU-25X35X10	25	35	10	11.00 +0.30 +0.00	25.00 -0.020 -0.053	35.00 +0.00 -0.20	25.00 +0.000 -0.084	35.00 +0.062 +0.000	9.58
MUU-25X38X10	25	38	10	11.00 +0.30 +0.00	25.00 -0.020 -0.053	38.00 +0.00 -0.20	25.00 +0.000 -0.084	38.00 +0.062 +0.000	9.84
MUU-25X40X10	25	40	10	11.00 +0.30 +0.00	25.00 -0.020 -0.053	40.00 +0.10 +0.00	25.00 +0.000 -0.084	40.00 +0.062 +0.000	19.65
MUU-25X45X10	25	45	10	11.00 +0.30 +0.00	25.00 -0.020 -0.053	45.00 +0.00 -0.20	25.00 +0.000 -0.084	45.00 +0.062 +0.000	16.46
MUU-25X50X12	25	50	12	13.00 +0.30 +0.00	25.00 -0.020 -0.053	50.00 +0.00 -0.20	25.00 +0.000 -0.084	50.00 +0.062 +0.000	7.70
MUU-26X34X6	26	34	6	7.00 +0.30 +0.00	26.00 -0.020 -0.053	34.00 +0.00 -0.20	26.00 +0.000 -0.084	34.00 +0.062 +0.000	8.17
MUU-26X38X8	26	38	8	9.00 +0.30 +0.00	26.00 -0.020 -0.053	38.00 +0.00 -0.20	26.00 +0.000 -0.084	38.00 +0.062 +0.000	5.89
MUU-28X35X5	28	35	5	5.70 +0.30 +0.00	28.00 -0.020 -0.053	35.00 +0.00 -0.20	28.00 +0.000 -0.084	35.00 +0.062 +0.000	9.84
MUU-28X35.5X5	28	35.5	5	5.70 +0.30 +0.00	28.00 -0.020 -0.053	35.50 +0.00 -0.20	28.00 +0.000 -0.084	35.50 +0.062 +0.000	16.80
MUU-28X36X5	28	36	5	5.70 +0.30 +0.00	28.00 -0.020 -0.053	36.00 +0.00 -0.20	28.00 +0.000 -0.084	36.00 +0.062 +0.000	11.17
MUU-28X36X6.5	28	36	6.5	7.50 +0.30 +0.00	28.00 -0.020 -0.053	36.00 +0.00 -0.20	28.00 +0.000 -0.084	36.00 +0.062 +0.000	8.50
MUU-28X38X7	28	38	7	8.00 +0.30 +0.00	28.00 -0.020 -0.053	38.00 +0.00 -0.20	28.00 +0.000 -0.084	38.00 +0.062 +0.000	6.70
MUU-28X38X8	28	38	8	9.00 +0.30 +0.00	28.00 -0.020 -0.053	38.00 +0.00 -0.20	28.00 +0.000 -0.084	38.00 +0.062 +0.000	9.84

U-SEALS



STYLE MUU SYMMETRICAL U-SEALS

U-SEALS

Part Number	A Nom. ID	B Nom. OD	C Nom. Ht	D GROOVE WIDTH	E ROD DIAMETER	G HOUSING DIAMETER	H GROOVE DIAMETER	J BORE DIAMETER	List Price
MUU-28X38X10	28	38	10	11.00 +0.30 +0.00	28.00 -0.020 -0.053	38.00 +0.00 -0.20	28.00 +0.000 -0.084	38.00 +0.062 +0.000	6.10
MUU-28X40X8	28	40	8	9.00 +0.30 +0.00	28.00 -0.020 -0.053	40.00 +0.00 -0.20	28.00 +0.000 -0.084	40.00 +0.062 +0.000	10.78
MUU-28X40X10	28	40	10	11.00 +0.30 +0.00	28.00 -0.020 -0.053	40.00 +0.10 +0.00	28.00 +0.000 -0.084	40.00 +0.062 +0.000	10.78
MUU-28X43X10	28	43	10	11.00 +0.30 +0.00	28.00 -0.020 -0.053	43.00 +0.10 +0.00	28.00 +0.000 -0.084	43.00 +0.062 +0.000	4.84
MUU-28X44X8	28	44	8	9.00 +0.30 +0.00	28.00 -0.020 -0.053	44.00 +0.00 -0.20	28.00 +0.000 -0.084	44.00 +0.062 +0.000	6.45
MUU-30X38X5	30	38	5	5.70 +0.30 +0.00	30.00 -0.020 -0.053	38.00 +0.00 -0.20	30.00 +0.000 -0.084	38.00 +0.062 +0.000	22.18
MUU-30X38X5.5	30	38	5.5	6.50 +0.30 +0.00	30.00 -0.020 -0.053	38.00 +0.00 -0.20	30.00 +0.000 -0.084	38.00 +0.062 +0.000	7.16
MUU-30X38X6	30	38	6	7.00 +0.30 +0.00	30.00 -0.020 -0.053	38.00 +0.00 -0.20	30.00 +0.000 -0.084	38.00 +0.062 +0.000	10.55
MUU-30X38X7	30	38	7	8.00 +0.30 +0.00	30.00 -0.020 -0.053	38.00 +0.00 -0.20	30.00 +0.000 -0.084	38.00 +0.062 +0.000	13.55
MUU-30X40X5	30	40	5	5.70 +0.30 +0.00	30.00 -0.020 -0.053	40.00 +0.00 -0.20	30.00 +0.000 -0.084	40.00 +0.062 +0.000	12.08
MUU-30X40X6	30	40	6	7.00 +0.30 +0.00	30.00 -0.020 -0.053	40.00 +0.00 -0.20	30.00 +0.000 -0.084	40.00 +0.062 +0.000	19.27
MUU-30X40X7	30	40	7	8.00 +0.30 +0.00	30.00 -0.020 -0.053	40.00 +0.00 -0.20	30.00 +0.000 -0.084	40.00 +0.062 +0.000	19.27
MUU-30X40X10	30	40	10	11.00 +0.30 +0.00	30.00 -0.020 -0.053	40.00 +0.00 -0.20	30.00 +0.000 -0.084	40.00 +0.062 +0.000	18.98
MUU-30X42X9	30	42	9	10.00 +0.30 +0.00	30.00 -0.020 -0.053	42.00 +0.00 -0.20	30.00 +0.000 -0.084	42.00 +0.062 +0.000	14.96
MUU-30X42X10	30	42	10	11.00 +0.30 +0.00	30.00 -0.020 -0.053	42.00 +0.00 -0.20	30.00 +0.000 -0.084	42.00 +0.062 +0.000	15.53
MUU-30X45X10	30	45	10	11.00 +0.30 +0.00	30.00 -0.020 -0.053	45.00 +0.10 +0.00	30.00 +0.000 -0.084	45.00 +0.062 +0.000	12.34
MUU-30X50X10	30	50	10	11.00 +0.30 +0.00	30.00 -0.020 -0.053	50.00 +0.00 -0.20	30.00 +0.000 -0.084	50.00 +0.062 +0.000	13.65
MUU-31.5X41.5X6	31.5	41.5	6	7.00 +0.30 +0.00	31.50 -0.025 -0.064	41.50 +0.00 -0.20	31.50 +0.00 -0.10	41.50 +0.062 +0.000	19.53
MUU-32X40X5	32	40	5	5.70 +0.30 +0.00	32.00 -0.025 -0.064	40.00 +0.00 -0.20	32.00 +0.00 -0.10	40.00 +0.062 +0.000	7.13
MUU-32X40X5.5	32	40	5.5	6.50 +0.30 +0.00	32.00 -0.025 -0.064	40.00 +0.00 -0.20	32.00 +0.00 -0.10	40.00 +0.062 +0.000	11.17
MUU-32X40X5.7	32	40	5.7	6.70 +0.30 +0.00	32.00 -0.025 -0.064	40.00 +0.00 -0.20	32.00 +0.00 -0.10	40.00 +0.062 +0.000	4.84
MUU-32X40X6	32	40	6	7.00 +0.30 +0.00	32.00 -0.025 -0.064	40.00 +0.00 -0.20	32.00 +0.00 -0.10	40.00 +0.062 +0.000	17.09
MUU-32X40X8	32	40	8	9.00 +0.30 +0.00	32.00 -0.025 -0.064	40.00 +0.00 -0.20	32.00 +0.00 -0.10	40.00 +0.062 +0.000	11.17
MUU-32X40X10	32	40	10	11.00 +0.30 +0.00	32.00 -0.025 -0.064	40.00 +0.00 -0.20	32.00 +0.00 -0.10	40.00 +0.062 +0.000	7.36
MUU-32X42X5.6	32	42	5.6	6.60 +0.30 +0.00	32.00 -0.025 -0.064	42.00 +0.00 -0.20	32.00 +0.00 -0.10	42.00 +0.062 +0.000	18.54
MUU-32X42X5.8	32	42	5.8	6.80 +0.30 +0.00	32.00 -0.025 -0.064	42.00 +0.00 -0.20	32.00 +0.00 -0.10	42.00 +0.062 +0.000	8.09
MUU-32X42X6-LT	32	42	6	7.00 +0.30 +0.00	32.00 -0.025 -0.064	42.00 +0.00 -0.20	32.00 +0.00 -0.10	42.00 +0.062 +0.000	11.11
MUU-32X42X10	32	42	10	11.00 +0.30 +0.00	32.00 -0.025 -0.064	42.00 +0.00 -0.20	32.00 +0.00 -0.10	42.00 +0.062 +0.000	10.78
MUU-32X45X10	32	45	10	11.00 +0.30 +0.00	32.00 -0.025 -0.064	45.00 +0.00 -0.20	32.00 +0.00 -0.10	45.00 +0.062 +0.000	12.74
MUU-32X46X10	32	46	10	11.00 +0.30 +0.00	32.00 -0.025 -0.064	46.00 +0.10 +0.00	32.00 +0.00 -0.10	46.00 +0.062 +0.000	19.85
MUU-32X47X10	32	47	10	11.00 +0.30 +0.00	32.00 -0.025 -0.064	47.00 +0.00 -0.20	32.00 +0.00 -0.10	47.00 +0.062 +0.000	14.98
MUU-35X42X8	35	42	8	9.00 +0.30 +0.00	35.00 -0.025 -0.064	42.00 +0.00 -0.20	35.00 +0.00 -0.10	42.00 +0.062 +0.000	11.64
MUU-35X43X6	35	43	6	7.00 +0.30 +0.00	35.00 -0.025 -0.064	43.00 +0.00 -0.20	35.00 +0.00 -0.10	43.00 +0.062 +0.000	6.46

STYLE MUU SYMMETRICAL U-SEALS



Part Number	A Nom. ID	B Nom. OD	C Nom. Ht	D GROOVE WIDTH	E ROD DIAMETER	G HOUSING DIAMETER	H GROOVE DIAMETER	J BORE DIAMETER	List Price
MUU-35X45X5	35	45	5	5.70 +0.30 +0.00	35.00 -0.025 -0.064	45.00 +0.00 -0.20	35.00 +0.00 -0.10	45.00 +0.062 +0.000	8.84
MUU-35X45X6	35	45	6	7.00 +0.30 +0.00	35.00 -0.025 -0.064	45.00 +0.00 -0.20	35.00 +0.00 -0.10	45.00 +0.062 +0.000	18.17
MUU-35X45X7	35	45	7	8.00 +0.30 +0.00	35.00 -0.025 -0.064	45.00 +0.00 -0.20	35.00 +0.00 -0.10	45.00 +0.062 +0.000	18.17
MUU-35X45X8	35	45	8	9.00 +0.30 +0.00	35.00 -0.025 -0.064	45.00 +0.00 -0.20	35.00 +0.00 -0.10	45.00 +0.062 +0.000	12.34
MUU-35X45X10	35	45	10	11.00 +0.30 +0.00	35.00 -0.025 -0.064	45.00 +0.00 -0.20	35.00 +0.00 -0.10	45.00 +0.062 +0.000	17.90
MUU-35X48X10	35	48	10	11.00 +0.30 +0.00	35.00 -0.025 -0.064	48.00 +0.00 -0.20	35.00 +0.00 -0.10	48.00 +0.062 +0.000	14.12
MUU-35X50X8	35	50	8	9.00 +0.30 +0.00	35.00 -0.025 -0.064	50.00 +0.00 -0.20	35.00 +0.00 -0.10	50.00 +0.062 +0.000	15.46
MUU-35X50X10	35	50	10	11.00 +0.30 +0.00	35.00 -0.025 -0.064	50.00 +0.10 +0.00	35.00 +0.00 -0.10	50.00 +0.062 +0.000	13.16
MUU-35X55X10	35	55	10	11.00 +0.30 +0.00	35.00 -0.025 -0.064	55.00 +0.00 -0.20	35.00 +0.00 -0.10	55.00 +0.074 +0.000	14.81
MUU-35.5X45X6	35.5	45	6	7.00 +0.30 +0.00	35.50 -0.025 -0.064	45.00 +0.00 -0.20	35.50 +0.00 -0.10	45.00 +0.062 +0.000	18.17
MUU-36X45X10	36	45	10	11.00 +0.30 +0.00	36.00 -0.025 -0.064	45.00 +0.00 -0.20	36.00 +0.00 -0.10	45.00 +0.062 +0.000	16.67
MUU-36X46X7	36	46	7	8.00 +0.30 +0.00	36.00 -0.025 -0.064	46.00 +0.00 -0.20	36.00 +0.00 -0.10	46.00 +0.062 +0.000	10.78
MUU-36X46X7.5	36	46	7.5	8.50 +0.30 +0.00	36.00 -0.025 -0.064	46.00 +0.00 -0.20	36.00 +0.00 -0.10	46.00 +0.062 +0.000	8.66
MUU-36X46X10	36	46	10	11.00 +0.30 +0.00	36.00 -0.025 -0.064	46.00 +0.00 -0.20	36.00 +0.00 -0.10	46.00 +0.062 +0.000	8.66
MUU-38X45X5	38	45	5	5.70 +0.30 +0.00	38.00 -0.025 -0.064	45.00 +0.00 -0.20	38.00 +0.00 -0.10	45.00 +0.062 +0.000	13.16
MUU-38X48X6	38	48	6	7.00 +0.30 +0.00	38.00 -0.025 -0.064	48.00 +0.00 -0.20	38.00 +0.00 -0.10	48.00 +0.062 +0.000	21.12
MUU-38X50X9	38	50	9	10.00 +0.30 +0.00	38.00 -0.025 -0.064	50.00 +0.00 -0.20	38.00 +0.00 -0.10	50.00 +0.062 +0.000	11.68
MUU-38X50X10	38	50	10	11.00 +0.30 +0.00	38.00 -0.025 -0.064	50.00 +0.00 -0.20	38.00 +0.00 -0.10	50.00 +0.062 +0.000	7.26
MUU-38X58X10	38	58	10	11.00 +0.30 +0.00	38.00 -0.025 -0.064	58.00 +0.00 -0.20	38.00 +0.00 -0.10	58.00 +0.074 +0.000	10.41
MUU-40X48X8	40	48	8	9.00 +0.30 +0.00	40.00 -0.025 -0.064	48.00 +0.00 -0.20	40.00 +0.00 -0.10	48.00 +0.062 +0.000	10.30
MUU-40X50X5	40	50	5	5.70 +0.30 +0.00	40.00 -0.025 -0.064	50.00 +0.00 -0.20	40.00 +0.00 -0.10	50.00 +0.062 +0.000	9.17
MUU-40X50X6	40	50	6	7.00 +0.30 +0.00	40.00 -0.025 -0.064	50.00 +0.00 -0.20	40.00 +0.00 -0.10	50.00 +0.062 +0.000	21.12
MUU-40X50X6.5	40	50	6.5	7.50 +0.30 +0.00	40.00 -0.025 -0.064	50.00 +0.00 -0.20	40.00 +0.00 -0.10	50.00 +0.062 +0.000	12.08
MUU-40X50X8	40	50	8	9.00 +0.30 +0.00	40.00 -0.025 -0.064	50.00 +0.00 -0.20	40.00 +0.00 -0.10	50.00 +0.062 +0.000	12.08
MUU-40X50X10	40	50	10	11.00 +0.30 +0.00	40.00 -0.025 -0.064	50.00 +0.00 -0.20	40.00 +0.00 -0.10	50.00 +0.062 +0.000	12.34
MUU-40X52X6	40	52	6	7.00 +0.30 +0.00	40.00 -0.025 -0.064	52.00 +0.00 -0.20	40.00 +0.00 -0.10	52.00 +0.074 +0.000	7.83
MUU-40X52X9	40	52	9	10.00 +0.30 +0.00	40.00 -0.025 -0.064	52.00 +0.00 -0.20	40.00 +0.00 -0.10	52.00 +0.074 +0.000	20.13
MUU-40X55X10	40	55	10	11.00 +0.30 +0.00	40.00 -0.025 -0.064	55.00 +0.12 +0.00	40.00 +0.00 -0.10	55.00 +0.074 +0.000	22.41
MUU-40X56X8	40	56	8	9.00 +0.30 +0.00	40.00 -0.025 -0.064	56.00 +0.00 -0.20	40.00 +0.00 -0.10	56.00 +0.074 +0.000	7.26
MUU-40X56X10	40	56	10	11.00 +0.30 +0.00	40.00 -0.025 -0.064	56.00 +0.12 +0.00	40.00 +0.00 -0.10	56.00 +0.074 +0.000	6.45
MUU-40X60X10	40	60	10	11.00 +0.30 +0.00	40.00 -0.025 -0.064	60.00 +0.00 -0.20	40.00 +0.00 -0.10	60.00 +0.074 +0.000	10.78
MUU-40X60X12	40	60	12	13.00 +0.30 +0.00	40.00 -0.025 -0.064	60.00 +0.12 +0.00	40.00 +0.00 -0.10	60.00 +0.074 +0.000	23.29
MUU-40X60X13	40	60	13	14.00 +0.30 +0.00	40.00 -0.025 -0.064	60.00 +0.00 -0.20	40.00 +0.00 -0.10	60.00 +0.074 +0.000	11.57

U-SEALS



STYLE MUU SYMMETRICAL U-SEALS

U-SEALS

Part Number	A Nom. ID	B Nom. OD	C Nom. Ht	D GROOVE WIDTH	E ROD DIAMETER	G HOUSING DIAMETER	H GROOVE DIAMETER	J BORE DIAMETER	List Price
MUU-40X60X18	40	60	18	19.00 +0.30 +0.00	40.00 -0.025 -0.064	60.00 +0.00 -0.20	40.00 +0.00 -0.10	60.00 +0.074 +0.000	15.66
MUU-40X65X12	40	65	12	13.00 +0.30 +0.00	40.00 -0.025 -0.064	65.00 +0.00 -0.20	40.00 +0.00 -0.10	65.00 +0.074 +0.000	16.76
MUU-42X50X8	42	50	8	9.00 +0.30 +0.00	42.00 -0.025 -0.064	50.00 +0.00 -0.20	42.00 +0.00 -0.10	50.00 +0.062 +0.000	12.08
MUU-42X52X6	42	52	6	7.00 +0.30 +0.00	42.00 -0.025 -0.064	52.00 +0.00 -0.20	42.00 +0.00 -0.10	52.00 +0.074 +0.000	12.78
MUU-42X52X9	42	52	9	10.00 +0.30 +0.00	42.00 -0.025 -0.064	52.00 +0.00 -0.20	42.00 +0.00 -0.10	52.00 +0.074 +0.000	12.78
MUU-43X63X10	43	63	10	11.00 +0.30 +0.00	43.00 -0.025 -0.064	63.00 +0.00 -0.20	43.00 +0.00 -0.10	63.00 +0.074 +0.000	8.89
MUU-45X55X6	45	55	6	7.00 +0.30 +0.00	45.00 -0.025 -0.064	55.00 +0.00 -0.20	45.00 +0.00 -0.10	55.00 +0.074 +0.000	27.16
MUU-45X55X6.5	45	55	6.5	7.50 +0.30 +0.00	45.00 -0.025 -0.064	55.00 +0.00 -0.20	45.00 +0.00 -0.10	55.00 +0.074 +0.000	13.65
MUU-45X55X10	45	55	10	11.00 +0.30 +0.00	45.00 -0.025 -0.064	55.00 +0.00 -0.20	45.00 +0.00 -0.10	55.00 +0.074 +0.000	13.65
MUU-45X56X7	45	56	7	8.00 +0.30 +0.00	45.00 -0.025 -0.064	56.00 +0.00 -0.20	45.00 +0.00 -0.10	56.00 +0.074 +0.000	28.67
MUU-45X58X10	45	58	10	11.00 +0.30 +0.00	45.00 -0.025 -0.064	58.00 +0.00 -0.20	45.00 +0.00 -0.10	58.00 +0.074 +0.000	12.24
MUU-45X58X12	45	58	12	13.00 +0.30 +0.00	45.00 -0.025 -0.064	58.00 +0.00 -0.20	45.00 +0.00 -0.10	58.00 +0.074 +0.000	22.46
MUU-45X60X7.5	45	60	7.5	8.50 +0.30 +0.00	45.00 -0.025 -0.064	60.00 +0.00 -0.20	45.00 +0.00 -0.10	60.00 +0.074 +0.000	9.60
MUU-45X60X10	45	60	10	11.00 +0.30 +0.00	45.00 -0.025 -0.064	60.00 +0.12 +0.00	45.00 +0.00 -0.10	60.00 +0.074 +0.000	14.81
MUU-45X60X11	45	60	11	12.00 +0.30 +0.00	45.00 -0.025 -0.064	60.00 +0.00 -0.20	45.00 +0.00 -0.10	60.00 +0.074 +0.000	50.80
MUU-45X63X10	45	63	10	11.00 +0.30 +0.00	45.00 -0.025 -0.064	63.00 +0.00 -0.20	45.00 +0.00 -0.10	63.00 +0.074 +0.000	12.74
MUU-45X65X10	45	65	10	11.00 +0.30 +0.00	45.00 -0.025 -0.064	65.00 +0.00 -0.20	45.00 +0.00 -0.10	65.00 +0.074 +0.000	17.17
MUU-45X65X12	45	65	12	13.00 +0.30 +0.00	45.00 -0.025 -0.064	65.00 +0.00 -0.20	45.00 +0.00 -0.10	65.00 +0.074 +0.000	17.17
MUU-45X70X12	45	70	12	13.00 +0.30 +0.00	45.00 -0.025 -0.064	70.00 +0.00 -0.20	45.00 +0.00 -0.10	70.00 +0.074 +0.000	8.70
MUU-48X58X10	48	58	10	11.00 +0.30 +0.00	48.00 -0.025 -0.064	58.00 +0.00 -0.20	48.00 +0.00 -0.10	58.00 +0.074 +0.000	14.32
MUU-48X63X10	48	63	10	11.00 +0.30 +0.00	48.00 -0.025 -0.064	63.00 +0.12 +0.00	48.00 +0.00 -0.10	63.00 +0.074 +0.000	35.34
MUU-50X60X5	50	60	5	5.70 +0.30 +0.00	50.00 -0.025 -0.064	60.00 +0.00 -0.20	50.00 +0.00 -0.10	60.00 +0.074 +0.000	15.35
MUU-50X60X6	50	60	6	7.00 +0.30 +0.00	50.00 -0.025 -0.064	60.00 +0.00 -0.20	50.00 +0.00 -0.10	60.00 +0.074 +0.000	20.05
MUU-50X60X10	50	60	10	11.00 +0.30 +0.00	50.00 -0.025 -0.064	60.00 +0.00 -0.20	50.00 +0.00 -0.10	60.00 +0.074 +0.000	13.44
MUU-50X62X9	50	62	9	10.00 +0.30 +0.00	50.00 -0.025 -0.064	62.00 +0.00 -0.20	50.00 +0.00 -0.10	62.00 +0.074 +0.000	13.44
MUU-50X63X6	50	63	6	7.00 +0.30 +0.00	50.00 -0.025 -0.064	63.00 +0.00 -0.20	50.00 +0.00 -0.10	63.00 +0.074 +0.000	12.74
MUU-50X63X10	50	63	10	11.00 +0.30 +0.00	50.00 -0.025 -0.064	63.00 +0.00 -0.20	50.00 +0.00 -0.10	63.00 +0.074 +0.000	13.42
MUU-50X65X7.5	50	65	7.5	8.50 +0.30 +0.00	50.00 -0.025 -0.064	65.00 +0.00 -0.20	50.00 +0.00 -0.10	65.00 +0.074 +0.000	14.32
MUU-50X65X10	50	65	10	11.00 +0.30 +0.00	50.00 -0.025 -0.064	65.00 +0.12 +0.00	50.00 +0.00 -0.10	65.00 +0.074 +0.000	31.98
MUU-50X65X11	50	65	11	12.00 +0.30 +0.00	50.00 -0.025 -0.064	65.00 +0.00 -0.20	50.00 +0.00 -0.10	65.00 +0.074 +0.000	55.41
MUU-50X70X10	50	70	10	11.00 +0.30 +0.00	50.00 -0.025 -0.064	70.00 +0.00 -0.20	50.00 +0.00 -0.10	70.00 +0.074 +0.000	18.13
MUU-50X70X12	50	70	12	13.00 +0.30 +0.00	50.00 -0.025 -0.064	70.00 +0.12 +0.00	50.00 +0.00 -0.10	70.00 +0.074 +0.000	18.13
MUU-50X75X12	50	75	12	13.00 +0.30 +0.00	50.00 -0.025 -0.064	75.00 +0.00 -0.20	50.00 +0.00 -0.10	75.00 +0.074 +0.000	25.06

STYLE MUU SYMMETRICAL U-SEALS



Part Number	A Nom. ID	B Nom. OD	C Nom. Ht	D GROOVE WIDTH	E ROD DIAMETER	G HOUSING DIAMETER	H GROOVE DIAMETER	J BORE DIAMETER	List Price
MUU-52X62X12	52	62	12	13.00 +0.30 +0.00	52.00 -0.030 -0.076	62.00 +0.00 -0.20	52.00 +0.00 -0.12	62.00 +0.074 +0.000	14.53
MUU-53X63X5	53	63	5	5.70 +0.30 +0.00	53.00 -0.030 -0.076	63.00 +0.00 -0.20	53.00 +0.00 -0.12	63.00 +0.074 +0.000	22.64
MUU-53X63X6	53	63	6	7.00 +0.30 +0.00	53.00 -0.030 -0.076	63.00 +0.00 -0.20	53.00 +0.00 -0.12	63.00 +0.074 +0.000	30.74
MUU-53X63X6.5	53	63	6.5	7.50 +0.30 +0.00	53.00 -0.030 -0.076	63.00 +0.00 -0.20	53.00 +0.00 -0.12	63.00 +0.074 +0.000	15.26
MUU-55X63X5	55	63	5	5.70 +0.30 +0.00	55.00 -0.030 -0.076	63.00 +0.00 -0.20	55.00 +0.00 -0.12	63.00 +0.074 +0.000	24.00
MUU-55X65X5	55	65	5	5.70 +0.30 +0.00	55.00 -0.030 -0.076	65.00 +0.00 -0.20	55.00 +0.00 -0.12	65.00 +0.074 +0.000	6.77
MUU-55X65X6	55	65	6	7.00 +0.30 +0.00	55.00 -0.030 -0.076	65.00 +0.00 -0.20	55.00 +0.00 -0.12	65.00 +0.074 +0.000	30.74
MUU-55X65X10	55	65	10	11.00 +0.30 +0.00	55.00 -0.030 -0.076	65.00 +0.00 -0.20	55.00 +0.00 -0.12	65.00 +0.074 +0.000	13.44
MUU-55X65X12	55	65	12	13.00 +0.30 +0.00	55.00 -0.030 -0.076	65.00 +0.00 -0.20	55.00 +0.00 -0.12	65.00 +0.074 +0.000	13.44
MUU-55X70X10	55	70	10	11.00 +0.30 +0.00	55.00 -0.030 -0.076	70.00 +0.00 -0.20	55.00 +0.00 -0.12	70.00 +0.074 +0.000	8.87
MUU-55X70X12	55	70	12	13.00 +0.30 +0.00	55.00 -0.030 -0.076	70.00 +0.00 -0.20	55.00 +0.00 -0.12	70.00 +0.074 +0.000	18.13
MUU-55X75X10	55	75	10	11.00 +0.30 +0.00	55.00 -0.030 -0.076	75.00 +0.00 -0.20	55.00 +0.00 -0.12	75.00 +0.074 +0.000	17.32
MUU-55X75X12	55	75	12	13.00 +0.30 +0.00	55.00 -0.030 -0.076	75.00 +0.12 +0.00	55.00 +0.00 -0.12	75.00 +0.074 +0.000	17.64
MUU-56X66X6	56	66	6	7.00 +0.30 +0.00	56.00 -0.030 -0.076	66.00 +0.00 -0.20	56.00 +0.00 -0.12	66.00 +0.074 +0.000	31.51
MUU-56X71X11	56	71	11	12.00 +0.30 +0.00	56.00 -0.030 -0.076	71.00 +0.00 -0.20	56.00 +0.00 -0.12	71.00 +0.074 +0.000	17.59
MUU-58X68X6	58	68	6	7.00 +0.30 +0.00	58.00 -0.030 -0.076	68.00 +0.00 -0.20	58.00 +0.00 -0.12	68.00 +0.074 +0.000	21.34
MUU-60X68X8	60	68	8	9.00 +0.30 +0.00	60.00 -0.030 -0.076	68.00 +0.00 -0.20	60.00 +0.00 -0.12	68.00 +0.074 +0.000	25.50
MUU-60X68X10	60	68	10	11.00 +0.30 +0.00	60.00 -0.030 -0.076	68.00 +0.00 -0.20	60.00 +0.00 -0.12	68.00 +0.074 +0.000	16.10
MUU-60X70X5	60	70	5	5.70 +0.30 +0.00	60.00 -0.030 -0.076	70.00 +0.00 -0.20	60.00 +0.00 -0.12	70.00 +0.074 +0.000	10.10
MUU-60X70X6	60	70	6	7.00 +0.30 +0.00	60.00 -0.030 -0.076	70.00 +0.00 -0.20	60.00 +0.00 -0.12	70.00 +0.074 +0.000	21.34
MUU-60X70X7.5	60	70	7.5	8.50 +0.30 +0.00	60.00 -0.030 -0.076	70.00 +0.00 -0.20	60.00 +0.00 -0.12	70.00 +0.074 +0.000	13.35
MUU-60X70X8	60	70	8	9.00 +0.30 +0.00	60.00 -0.030 -0.076	70.00 +0.00 -0.20	60.00 +0.00 -0.12	70.00 +0.074 +0.000	17.64
MUU-60X70X10	60	70	10	11.00 +0.30 +0.00	60.00 -0.030 -0.076	70.00 +0.00 -0.20	60.00 +0.00 -0.12	70.00 +0.074 +0.000	17.64
MUU-60X70X12	60	70	12	13.00 +0.30 +0.00	60.00 -0.030 -0.076	70.00 +0.00 -0.20	60.00 +0.01 +0.00	70.00 +0.074 +0.000	17.64
MUU-60X75X10	60	75	10	11.00 +0.30 +0.00	60.00 -0.030 -0.076	75.00 +0.00 -0.20	60.00 +0.00 -0.12	75.00 +0.074 +0.000	15.66
MUU-60X75X12	60	75	12	13.00 +0.30 +0.00	60.00 -0.030 -0.076	75.00 +0.00 -0.20	60.00 +0.00 -0.12	75.00 +0.074 +0.000	15.66
MUU-60X80X10	60	80	10	11.00 +0.30 +0.00	60.00 -0.030 -0.076	80.00 +0.00 -0.20	60.00 +0.00 -0.12	80.00 +0.074 +0.000	17.90
MUU-60X80X12	60	80	12	13.00 +0.30 +0.00	60.00 -0.030 -0.076	80.00 +0.12 +0.00	60.00 +0.00 -0.12	80.00 +0.074 +0.000	17.90
MUU-60X80X18	60	80	18	19.00 +0.30 +0.00	60.00 -0.030 -0.076	80.00 +0.00 -0.20	60.00 +0.00 -0.12	80.00 +0.074 +0.000	20.13
MUU-63X73X6	63	73	6	7.00 +0.30 +0.00	63.00 -0.030 -0.076	73.00 +0.00 -0.20	63.00 +0.00 -0.12	73.00 +0.074 +0.000	21.34
MUU-63X73X7.5	63	73	7.5	8.50 +0.30 +0.00	63.00 -0.030 -0.076	73.00 +0.00 -0.20	63.00 +0.00 -0.12	73.00 +0.074 +0.000	14.93
MUU-63X75X10	63	75	10	11.00 +0.30 +0.00	63.00 -0.030 -0.076	75.00 +0.00 -0.20	63.00 +0.00 -0.12	75.00 +0.074 +0.000	16.35
MUU-63X78X10	63	78	10	11.00 +0.30 +0.00	63.00 -0.030 -0.076	78.00 +0.00 -0.20	63.00 +0.00 -0.12	78.00 +0.074 +0.000	18.33

U-SEALS



STYLE MUU SYMMETRICAL U-SEALS

U-SEALS

Part Number	A Nom. ID	B Nom. OD	C Nom. Ht	D GROOVE WIDTH	E ROD DIAMETER	G HOUSING DIAMETER	H GROOVE DIAMETER	J BORE DIAMETER	List Price
MUU-63X78X11	63	78	11	12.00 +0.30 +0.00	63.00 -0.030 -0.076	78.00 +0.00 -0.20	63.00 +0.00 -0.12	78.00 +0.074 +0.000	33.25
MUU-63X80X9	63	80	9	10.00 +0.30 +0.00	63.00 -0.030 -0.076	80.00 +0.00 -0.20	63.00 +0.00 -0.12	80.00 +0.074 +0.000	12.25
MUU-63X80X10	63	80	10	11.00 +0.30 +0.00	63.00 -0.030 -0.076	80.00 +0.00 -0.20	63.00 +0.00 -0.12	80.00 +0.074 +0.000	18.47
MUU-65X75X6	65	75	6	7.00 +0.30 +0.00	65.00 -0.030 -0.076	75.00 +0.00 -0.20	65.00 +0.00 -0.12	75.00 +0.074 +0.000	33.97
MUU-65X80X7.5	65	80	7.5	8.50 +0.30 +0.00	65.00 -0.030 -0.076	80.00 +0.00 -0.20	65.00 +0.00 -0.12	80.00 +0.074 +0.000	16.82
MUU-65X80X11	65	80	11	12.00 +0.30 +0.00	65.00 -0.030 -0.076	80.00 +0.00 -0.20	65.00 +0.00 -0.12	80.00 +0.074 +0.000	17.90
MUU-65X80X12	65	80	12	13.00 +0.30 +0.00	65.00 -0.030 -0.076	80.00 +0.00 -0.20	65.00 +0.00 -0.12	80.00 +0.074 +0.000	17.90
MUU-65X85X10	65	85	10	11.00 +0.30 +0.00	65.00 -0.030 -0.076	85.00 +0.00 -0.20	65.00 +0.00 -0.12	85.00 +0.087 +0.000	17.90
MUU-65X85X12	65	85	12	13.00 +0.30 +0.00	65.00 -0.030 -0.076	85.00 +0.14 +0.00	65.00 +0.00 -0.12	85.00 +0.087 +0.000	17.90
MUU-65X90X18.5	65	90	18.5	19.50 +0.30 +0.00	65.00 -0.030 -0.076	90.00 +0.00 -0.20	65.00 +0.00 -0.12	90.00 +0.087 +0.000	49.92
MUU-66X80X10	66	80	10	11.00 +0.30 +0.00	66.00 -0.030 -0.076	80.00 +0.00 -0.20	66.00 +0.00 -0.12	80.00 +0.074 +0.000	17.02
MUU-66X80X13	66	80	13	14.00 +0.30 +0.00	66.00 -0.030 -0.076	80.00 +0.00 -0.20	66.00 +0.00 -0.12	80.00 +0.074 +0.000	17.02
MUU-67X77X6	67	77	6	7.00 +0.30 +0.00	67.00 -0.030 -0.076	77.00 +0.00 -0.20	67.00 +0.00 -0.12	77.00 +0.074 +0.000	33.97
MUU-70X80X5	70	80	5	5.70 +0.30 +0.00	70.00 -0.030 -0.076	80.00 +0.00 -0.20	70.00 +0.00 -0.12	80.00 +0.074 +0.000	16.35
MUU-70X80X6	70	80	6	7.00 +0.30 +0.00	70.00 -0.030 -0.076	80.00 +0.00 -0.20	70.00 +0.00 -0.12	80.00 +0.074 +0.000	35.56
MUU-70X80X8	70	80	8	9.00 +0.30 +0.00	70.00 -0.030 -0.076	80.00 +0.00 -0.20	70.00 +0.00 -0.12	80.00 +0.074 +0.000	15.66
MUU-70X80X10	70	80	10	11.00 +0.30 +0.00	70.00 -0.030 -0.076	80.00 +0.00 -0.20	70.00 +0.00 -0.12	80.00 +0.074 +0.000	16.35
MUU-70X80X12	70	80	12	13.00 +0.30 +0.00	70.00 -0.030 -0.076	80.00 +0.00 -0.20	70.00 +0.00 -0.12	80.00 +0.074 +0.000	16.35
MUU-70X82X9	70	82	9	10.00 +0.30 +0.00	70.00 -0.030 -0.076	82.00 +0.00 -0.20	70.00 +0.00 -0.12	82.00 +0.087 +0.000	21.17
MUU-70X85X8.4	70	85	8.4	9.50 +0.30 +0.00	70.00 -0.030 -0.076	85.00 +0.00 -0.20	70.00 +0.00 -0.12	85.00 +0.087 +0.000	39.41
MUU-70X85X12	70	85	12	13.00 +0.30 +0.00	70.00 -0.030 -0.076	85.00 +0.00 -0.20	70.00 +0.00 -0.12	85.00 +0.087 +0.000	17.90
MUU-70X90X10	70	90	10	11.00 +0.30 +0.00	70.00 -0.030 -0.076	90.00 +0.00 -0.20	70.00 +0.00 -0.12	90.00 +0.087 +0.000	27.76
MUU-70X90X12	70	90	12	13.00 +0.30 +0.00	70.00 -0.030 -0.076	90.00 +0.14 +0.00	70.00 +0.00 -0.12	90.00 +0.087 +0.000	17.90
MUU-70X90X18	70	90	18	19.00 +0.30 +0.00	70.00 -0.030 -0.076	90.00 +0.00 -0.20	70.00 +0.00 -0.12	90.00 +0.087 +0.000	18.01
MUU-70X95X10	70	95	10	11.00 +0.30 +0.00	70.00 -0.030 -0.076	95.00 +0.00 -0.20	70.00 +0.00 -0.12	95.00 +0.087 +0.000	71.30
MUU-70X95X12	70	95	12	13.00 +0.30 +0.00	70.00 -0.030 -0.076	95.00 +0.00 -0.20	70.00 +0.00 -0.12	95.00 +0.087 +0.000	15.66
MUU-71X80X6	71	80	6	7.00 +0.30 +0.00	71.00 -0.030 -0.076	80.00 +0.00 -0.20	71.00 +0.00 -0.12	80.00 +0.074 +0.000	35.56
MUU-75X85X6	75	85	6	7.00 +0.30 +0.00	75.00 -0.030 -0.076	85.00 +0.00 -0.20	75.00 +0.00 -0.12	85.00 +0.087 +0.000	39.14
MUU-75X85X10	75	85	10	11.00 +0.30 +0.00	75.00 -0.030 -0.076	85.00 +0.00 -0.20	75.00 +0.00 -0.12	85.00 +0.087 +0.000	14.90
MUU-75X85X12	75	85	12	13.00 +0.30 +0.00	75.00 -0.030 -0.076	85.00 +0.00 -0.20	75.00 +0.00 -0.12	85.00 +0.087 +0.000	18.83
MUU-75X90X7.5	75	90	7.5	8.50 +0.30 +0.00	75.00 -0.030 -0.076	90.00 +0.00 -0.20	75.00 +0.00 -0.12	90.00 +0.087 +0.000	19.65
MUU-75X90X10	75	90	10	11.00 +0.30 +0.00	75.00 -0.030 -0.076	90.00 +0.00 -0.20	75.00 +0.00 -0.12	90.00 +0.087 +0.000	8.06
MUU-75X90X12	75	90	12	13.00 +0.30 +0.00	75.00 -0.030 -0.076	90.00 +0.00 -0.20	75.00 +0.00 -0.12	90.00 +0.087 +0.000	19.28

STYLE MUU SYMMETRICAL U-SEALS



U-SEALS

Part Number	A Nom. ID	B Nom. OD	C Nom. Ht	D GROOVE WIDTH	E ROD DIAMETER	G HOUSING DIAMETER	H GROOVE DIAMETER	J BORE DIAMETER	List Price
MUU-75X95X10	75	95	10	11.00 +0.30 +0.00	75.00 -0.030 -0.076	95.00 +0.00 -0.20	75.00 +0.00 -0.12	95.00 +0.087 +0.000	18.19
MUU-75X95X12	75	95	12	13.00 +0.30 +0.00	75.00 -0.030 -0.076	95.00 +0.14 +0.00	75.00 +0.00 -0.12	95.00 +0.087 +0.000	18.60
MUU-80X90X5	80	90	5	5.70 +0.30 +0.00	80.00 -0.030 -0.076	90.00 +0.00 -0.20	80.00 +0.00 -0.12	90.00 +0.087 +0.000	12.57
MUU-80X90X6	80	90	6	7.00 +0.30 +0.00	80.00 -0.030 -0.076	90.00 +0.00 -0.20	80.00 +0.00 -0.12	90.00 +0.087 +0.000	45.74
MUU-80X90X8	80	90	8	9.00 +0.30 +0.00	80.00 -0.030 -0.076	90.00 +0.00 -0.20	80.00 +0.00 -0.12	90.00 +0.087 +0.000	12.74
MUU-80X90X10	80	90	10	11.00 +0.30 +0.00	80.00 -0.030 -0.076	90.00 +0.00 -0.20	80.00 +0.00 -0.12	90.00 +0.087 +0.000	17.90
MUU-80X90X12	80	90	12	13.00 +0.30 +0.00	80.00 -0.030 -0.076	90.00 +0.00 -0.20	80.00 +0.00 -0.12	90.00 +0.087 +0.000	49.15
MUU-80X90X13.5	80	90	13.5	14.50 +0.30 +0.00	80.00 -0.030 -0.076	90.00 +0.00 -0.20	80.00 +0.00 -0.12	90.00 +0.087 +0.000	51.47
MUU-80X95X7.5	80	95	7.5	8.50 +0.30 +0.00	80.00 -0.030 -0.076	95.00 +0.00 -0.20	80.00 +0.00 -0.12	95.00 +0.087 +0.000	49.46
MUU-80X95X8.4	80	95	8.4	9.50 +0.30 +0.00	80.00 -0.030 -0.076	95.00 +0.00 -0.20	80.00 +0.00 -0.12	95.00 +0.087 +0.000	41.42
MUU-80X95X9	80	95	9	10.00 +0.30 +0.00	80.00 -0.030 -0.076	95.00 +0.00 -0.20	80.00 +0.00 -0.12	95.00 +0.087 +0.000	10.16
MUU-80X95X10	80	95	10	11.00 +0.30 +0.00	80.00 -0.030 -0.076	95.00 +0.00 -0.20	80.00 +0.00 -0.12	95.00 +0.087 +0.000	15.83
MUU-80X95X12	80	95	12	13.00 +0.30 +0.00	80.00 -0.030 -0.076	95.00 +0.00 -0.20	80.00 +0.00 -0.12	95.00 +0.087 +0.000	17.64
MUU-80X100X10	80	100	10	11.00 +0.30 +0.00	80.00 -0.030 -0.076	100.00 +0.00 -0.20	80.00 +0.00 -0.12	100.00 +0.087 +0.000	18.33
MUU-80X100X12	80	100	12	13.00 +0.30 +0.00	80.00 -0.030 -0.076	100.00 +0.14 +0.00	80.00 +0.00 -0.12	100.00 +0.087 +0.000	18.33
MUU-80X100X13.5	80	100	13.5	14.50 +0.30 +0.00	80.00 -0.030 -0.076	100.00 +0.00 -0.20	80.00 +0.00 -0.12	100.00 +0.087 +0.000	27.16
MUU-80X100X18	80	100	18	19.00 +0.30 +0.00	80.00 -0.030 -0.076	100.00 +0.00 -0.20	80.00 +0.00 -0.12	100.00 +0.087 +0.000	70.96
MUU-84X104X12	84	104	12	13.00 +0.30 +0.00	84.00 -0.036 -0.090	104.00 +0.00 -0.20	84.00 +0.00 -0.14	104.00 +0.087 +0.000	50.58
MUU-85X95X8.5	85	95	8.5	9.50 +0.30 +0.00	85.00 -0.036 -0.090	95.00 +0.00 -0.20	85.00 +0.00 -0.14	95.00 +0.087 +0.000	13.01
MUU-85X95X12	85	95	12	13.00 +0.30 +0.00	85.00 -0.036 -0.090	95.00 +0.00 -0.20	85.00 +0.00 -0.14	95.00 +0.087 +0.000	18.60
MUU-85X100X7.5	85	100	7.5	8.50 +0.30 +0.00	85.00 -0.036 -0.090	100.00 +0.00 -0.20	85.00 +0.00 -0.14	100.00 +0.087 +0.000	23.66
MUU-85X100X9	85	100	9	10.00 +0.30 +0.00	85.00 -0.036 -0.090	100.00 +0.00 -0.20	85.00 +0.00 -0.14	100.00 +0.087 +0.000	55.30
MUU-85X100X11	85	100	11	12.00 +0.30 +0.00	85.00 -0.036 -0.090	100.00 +0.00 -0.20	85.00 +0.00 -0.14	100.00 +0.087 +0.000	19.48
MUU-85X100X12	85	100	12	13.00 +0.30 +0.00	85.00 -0.036 -0.090	100.00 +0.00 -0.20	85.00 +0.00 -0.14	100.00 +0.087 +0.000	22.64
MUU-85X105X10	85	105	10	11.00 +0.30 +0.00	85.00 -0.036 -0.090	105.00 +0.00 -0.20	85.00 +0.00 -0.14	105.00 +0.087 +0.000	35.86
MUU-85X105X12	85	105	12	13.00 +0.30 +0.00	85.00 -0.036 -0.090	105.00 +0.14 +0.00	85.00 +0.00 -0.14	105.00 +0.087 +0.000	19.65
MUU-90X100X7	90	100	7	8.00 +0.30 +0.00	90.00 -0.036 -0.090	100.00 +0.00 -0.20	90.00 +0.00 -0.14	100.00 +0.087 +0.000	17.64
MUU-90X100X8	90	100	8	9.00 +0.30 +0.00	90.00 -0.036 -0.090	100.00 +0.00 -0.20	90.00 +0.00 -0.14	100.00 +0.087 +0.000	17.64
MUU-90X100X12	90	100	12	13.00 +0.30 +0.00	90.00 -0.036 -0.090	100.00 +0.00 -0.20	90.00 +0.00 -0.14	100.00 +0.087 +0.000	53.13
MUU-90X105X9	90	105	9	10.00 +0.30 +0.00	90.00 -0.036 -0.090	105.00 +0.00 -0.20	90.00 +0.00 -0.14	105.00 +0.087 +0.000	60.12
MUU-90X105X12	90	105	12	13.00 +0.30 +0.00	90.00 -0.036 -0.090	105.00 +0.00 -0.20	90.00 +0.00 -0.14	105.00 +0.087 +0.000	24.60
MUU-90X110X10	90	110	10	11.00 +0.30 +0.00	90.00 -0.036 -0.090	110.00 +0.00 -0.20	90.00 +0.00 -0.14	110.00 +0.087 +0.000	12.07
MUU-90X110X12	90	110	12	13.00 +0.30 +0.00	90.00 -0.036 -0.090	110.00 +0.14 +0.00	90.00 +0.00 -0.14	110.00 +0.087 +0.000	20.58



STYLE MUU SYMMETRICAL U-SEALS

U-SEALS

Part Number	A Nom. ID	B Nom. OD	C Nom. Ht	D GROOVE WIDTH	E ROD DIAMETER	G HOUSING DIAMETER	H GROOVE DIAMETER	J BORE DIAMETER	List Price
MUU-90X115X15	90	115	15	16.00 +0.30 +0.00	90.00 -0.036 -0.090	115.00 +0.00 -0.20	90.00 +0.00 -0.14	115.00 +0.087 +0.000	17.79
MUU-95X110X9	95	110	9	10.00 +0.30 +0.00	95.00 -0.036 -0.090	110.00 +0.00 -0.20	95.00 +0.00 -0.14	110.00 +0.087 +0.000	57.19
MUU-95X110X10	95	110	10	11.00 +0.30 +0.00	95.00 -0.036 -0.090	110.00 +0.00 -0.20	95.00 +0.00 -0.14	110.00 +0.087 +0.000	14.13
MUU-95X110X12	95	110	12	13.00 +0.30 +0.00	95.00 -0.036 -0.090	110.00 +0.00 -0.20	95.00 +0.00 -0.14	110.00 +0.087 +0.000	13.64
MUU-95X115X12	95	115	12	13.00 +0.30 +0.00	95.00 -0.036 -0.090	115.00 +0.14 +0.00	95.00 +0.00 -0.14	115.00 +0.087 +0.000	23.28
MUU-98X112X9	98	112	9	10.00 +0.30 +0.00	98.00 -0.036 -0.090	112.00 +0.14 +0.00	98.00 +0.00 -0.14	112.00 +0.087 +0.000	58.24
MUU-100X110X5	100	110	5	5.70 +0.30 +0.00	100.00 -0.036 -0.090	110.00 +0.00 -0.20	100.00 +0.00 -0.14	110.00 +0.087 +0.000	12.07
MUU-100X110X8	100	110	8	9.00 +0.30 +0.00	100.00 -0.036 -0.090	110.00 +0.00 -0.20	100.00 +0.00 -0.14	110.00 +0.087 +0.000	14.38
MUU-100X115X9	100	115	9	10.00 +0.30 +0.00	100.00 -0.036 -0.090	115.00 +0.00 -0.20	100.00 +0.00 -0.14	115.00 +0.087 +0.000	58.24
MUU-100X115X12	100	115	12	13.00 +0.30 +0.00	100.00 -0.036 -0.090	115.00 +0.00 -0.20	100.00 +0.00 -0.14	115.00 +0.087 +0.000	21.28
MUU-100X120X12	100	120	12	13.00 +0.30 +0.00	100.00 -0.036 -0.090	120.00 +0.14 +0.00	100.00 +0.00 -0.14	120.00 +0.087 +0.000	60.29
MUU-100X120X13.5	100	120	13.5	14.50 +0.30 +0.00	100.00 -0.036 -0.090	120.00 +0.00 -0.20	100.00 +0.00 -0.14	120.00 +0.087 +0.000	24.56
MUU-100X120X15	100	120	15	16.00 +0.30 +0.00	100.00 -0.036 -0.090	120.00 +0.00 -0.20	100.00 +0.00 -0.14	120.00 +0.087 +0.000	16.00
MUU-100X125X15	100	125	15	17.00 +0.30 +0.00	100.00 -0.036 -0.090	125.00 +0.16 +0.00	100.00 +0.00 -0.14	125.00 +0.10 +0.00	25.29
MUU-105X120X8	105	120	8	9.00 +0.30 +0.00	105.00 -0.036 -0.090	120.00 +0.00 -0.20	105.00 +0.00 -0.14	120.00 +0.087 +0.000	19.28
MUU-105X120X15	105	120	15	16.00 +0.30 +0.00	105.00 -0.036 -0.090	120.00 +0.00 -0.20	105.00 +0.00 -0.14	120.00 +0.087 +0.000	23.70
MUU-105X125X11.4	105	125	11.4	12.50 +0.30 +0.00	105.00 -0.036 -0.090	125.00 +0.00 -0.20	105.00 +0.00 -0.14	125.00 +0.10 +0.00	42.59
MUU-105X125X12	105	125	12	13.00 +0.30 +0.00	105.00 -0.036 -0.090	125.00 +0.00 -0.20	105.00 +0.00 -0.14	125.00 +0.10 +0.00	18.20
MUU-105X125X15	105	125	15	17.00 +0.30 +0.00	105.00 -0.036 -0.090	125.00 +0.16 +0.00	105.00 +0.00 -0.14	125.00 +0.10 +0.00	23.52
MUU-105X125X16	105	125	16	17.00 +0.30 +0.00	105.00 -0.036 -0.090	125.00 +0.00 -0.20	105.00 +0.00 -0.14	125.00 +0.10 +0.00	21.79
MUU-105X130X12	105	130	12	13.00 +0.30 +0.00	105.00 -0.036 -0.090	130.00 +0.00 -0.20	105.00 +0.00 -0.14	130.00 +0.10 +0.00	32.22
MUU-106X120X8.5	106	120	8.5	9.50 +0.30 +0.00	106.00 -0.036 -0.090	120.00 +0.00 -0.20	106.00 +0.00 -0.14	120.00 +0.087 +0.000	17.40
MUU-110X125X12	110	125	12	13.00 +0.30 +0.00	110.00 -0.036 -0.090	125.00 +0.00 -0.20	110.00 +0.00 -0.14	125.00 +0.10 +0.00	24.60
MUU-110X125X15	110	125	15	16.00 +0.30 +0.00	110.00 -0.036 -0.090	125.00 +0.00 -0.20	110.00 +0.00 -0.14	125.00 +0.10 +0.00	62.57
MUU-110X130X10	110	130	10	11.00 +0.30 +0.00	110.00 -0.036 -0.090	130.00 +0.00 -0.20	110.00 +0.00 -0.14	130.00 +0.10 +0.00	14.48
MUU-110X130X15	110	130	15	17.00 +0.30 +0.00	110.00 -0.036 -0.090	130.00 +0.16 +0.00	110.00 +0.00 -0.14	130.00 +0.10 +0.00	56.01
MUU-112X125X9	112	125	9	10.00 +0.30 +0.00	112.00 -0.036 -0.090	125.00 +0.00 -0.20	112.00 +0.00 -0.14	125.00 +0.10 +0.00	60.29
MUU-115X125X12	115	125	12	13.00 +0.30 +0.00	115.00 -0.036 -0.090	125.00 +0.00 -0.20	115.00 +0.00 -0.14	125.00 +0.10 +0.00	32.70
MUU-115X130X11	115	130	11	12.00 +0.30 +0.00	115.00 -0.036 -0.090	130.00 +0.00 -0.20	115.00 +0.00 -0.14	130.00 +0.10 +0.00	38.95
MUU-115X135X15	115	135	15	17.00 +0.30 +0.00	115.00 -0.036 -0.090	135.00 +0.16 +0.00	115.00 +0.00 -0.14	135.00 +0.10 +0.00	79.94
MUU-120X130X14	120	130	14	15.00 +0.30 +0.00	120.00 -0.036 -0.090	130.00 +0.00 -0.20	120.00 +0.00 -0.14	130.00 +0.10 +0.00	21.79
MUU-120X140X10	120	140	10	11.00 +0.30 +0.00	120.00 -0.036 -0.090	140.00 +0.00 -0.20	120.00 +0.00 -0.14	140.00 +0.10 +0.00	16.93
MUU-120X140X12	120	140	12	13.00 +0.30 +0.00	120.00 -0.036 -0.090	140.00 +0.00 -0.20	120.00 +0.00 -0.14	140.00 +0.10 +0.00	30.87

STYLE MUU SYMMETRICAL U-SEALS



U-SEALS

Part Number	A Nom. ID	B Nom. OD	C Nom. Ht	D GROOVE WIDTH	E ROD DIAMETER	G HOUSING DIAMETER	H GROOVE DIAMETER	J BORE DIAMETER	List Price
MUU-120X140X15	120	140	15	17.00 +0.30 +0.00	120.00 -0.036 -0.090	140.00 +0.16 +0.00	120.00 +0.00 -0.14	140.00 +0.10 +0.00	27.09
MUU-125X140X11	125	140	11	12.00 +0.30 +0.00	125.00 -0.043 -0.106	140.00 +0.00 -0.20	125.00 +0.00 -0.16	140.00 +0.10 +0.00	27.09
MUU-125X140X12	125	140	12	13.00 +0.30 +0.00	125.00 -0.043 -0.106	140.00 +0.00 -0.20	125.00 +0.00 -0.16	140.00 +0.10 +0.00	22.41
MUU-125X145X15	125	145	15	17.00 +0.30 +0.00	125.00 -0.043 -0.106	145.00 +0.16 +0.00	125.00 +0.00 -0.16	145.00 +0.10 +0.00	62.81
MUU-125X150X12	125	150	12	13.00 +0.30 +0.00	125.00 -0.043 -0.106	150.00 +0.00 -0.20	125.00 +0.00 -0.16	150.00 +0.10 +0.00	41.43
MUU-125X150X18	125	150	18	19.00 +0.30 +0.00	125.00 -0.043 -0.106	150.00 +0.00 -0.20	125.00 +0.00 -0.16	150.00 +0.10 +0.00	20.78
MUU-135X150X15	135	150	15	16.00 +0.30 +0.00	135.00 -0.043 -0.106	150.00 +0.00 -0.20	135.00 +0.00 -0.16	150.00 +0.10 +0.00	20.41
MUU-136X150X9	136	150	9	10.00 +0.30 +0.00	136.00 -0.043 -0.106	150.00 +0.16 +0.00	136.00 +0.00 -0.16	150.00 +0.10 +0.00	69.22
MUU-140X155X8.9	140	155	8.9	10.00 +0.30 +0.00	140.00 -0.043 -0.106	155.00 +0.00 -0.20	140.00 +0.00 -0.16	155.00 +0.10 +0.00	61.15
MUU-140X155X9	140	155	9	10.00 +0.30 +0.00	140.00 -0.043 -0.106	155.00 +0.00 -0.20	140.00 +0.00 -0.16	155.00 +0.10 +0.00	25.74
MUU-140X160X15	140	160	15	17.00 +0.30 +0.00	140.00 -0.043 -0.106	160.00 +0.16 +0.00	140.00 +0.00 -0.16	160.00 +0.10 +0.00	65.45
MUU-140X165X15	140	165	15	17.00 +0.30 +0.00	140.00 -0.043 -0.106	165.00 +0.16 +0.00	140.00 +0.00 -0.16	165.00 +0.10 +0.00	35.14
MUU-145X160X9	145	160	9	10.00 +0.30 +0.00	145.00 -0.043 -0.106	160.00 +0.00 -0.20	145.00 +0.00 -0.16	160.00 +0.10 +0.00	78.89
MUU-145X165X15	145	165	15	17.00 +0.30 +0.00	145.00 -0.043 -0.106	165.00 +0.16 +0.00	145.00 +0.00 -0.16	165.00 +0.10 +0.00	78.06
MUU-150X165X8.9	150	165	8.9	10.00 +0.30 +0.00	150.00 -0.043 -0.106	165.00 +0.00 -0.20	150.00 +0.00 -0.16	165.00 +0.10 +0.00	74.68
MUU-150X170X15	150	170	15	17.00 +0.30 +0.00	150.00 -0.043 -0.106	170.00 +0.16 +0.00	150.00 +0.00 -0.16	170.00 +0.10 +0.00	78.06
MUU-150X180X13.5	150	180	13.5	14.50 +0.30 +0.00	150.00 -0.043 -0.106	180.00 +0.00 -0.20	150.00 +0.00 -0.16	180.00 +0.10 +0.00	50.03
MUU-155X170X10	155	170	10	11.00 +0.30 +0.00	155.00 -0.043 -0.106	170.00 +0.00 -0.20	155.00 +0.00 -0.16	170.00 +0.10 +0.00	66.79
MUU-155X180X15	155	180	15	17.00 +0.30 +0.00	155.00 -0.043 -0.106	180.00 +0.16 +0.00	155.00 +0.00 -0.16	180.00 +0.10 +0.00	87.05
MUU-160X175X9	160	175	9	10.00 +0.30 +0.00	160.00 -0.043 -0.106	175.00 +0.00 -0.20	160.00 +0.00 -0.16	175.00 +0.10 +0.00	93.35
MUU-160X180X10	160	180	10	11.00 +0.30 +0.00	160.00 -0.043 -0.106	180.00 +0.00 -0.20	160.00 +0.00 -0.16	180.00 +0.10 +0.00	92.68
MUU-160X180X14.5-E	160	180	14.5	16.00 +0.30 +0.00	160.00 -0.043 -0.106	180.00 +0.00 -0.20	160.00 +0.00 -0.16	180.00 +0.10 +0.00	121.32
MUU-160X185X15	160	185	15	17.00 +0.30 +0.00	160.00 -0.043 -0.106	185.00 +0.185 +0.000	160.00 +0.00 -0.16	185.00 +0.115 +0.000	95.70
MUU-160X190X22	160	190	22	23.00 +0.30 +0.00	160.00 -0.043 -0.106	190.00 +0.00 -0.20	160.00 +0.00 -0.16	190.00 +0.115 +0.000	39.92
MUU-165X180X9	165	180	9	10.00 +0.30 +0.00	165.00 -0.043 -0.106	180.00 +0.00 -0.20	165.00 +0.00 -0.16	180.00 +0.10 +0.00	97.57
MUU-165X180X9.5	165	180	9.5	10.50 +0.30 +0.00	165.00 -0.043 -0.106	180.00 +0.00 -0.20	165.00 +0.00 -0.16	180.00 +0.10 +0.00	37.01
MUU-165X190X15	165	190	15	17.00 +0.30 +0.00	165.00 -0.043 -0.106	190.00 +0.185 +0.000	165.00 +0.00 -0.16	190.00 +0.115 +0.000	102.78
MUU-170X190X15	170	190	15	16.00 +0.30 +0.00	170.00 -0.043 -0.106	190.00 +0.00 -0.20	170.00 +0.00 -0.16	190.00 +0.115 +0.000	41.53
MUU-170X195X15	170	195	15	17.00 +0.30 +0.00	170.00 -0.043 -0.106	195.00 +0.185 +0.000	170.00 +0.00 -0.16	195.00 +0.115 +0.000	107.93
MUU-170X200X18	170	200	18	19.00 +0.30 +0.00	170.00 -0.043 -0.106	200.00 +0.00 -0.20	170.00 +0.00 -0.16	200.00 +0.115 +0.000	111.68
MUU-170X200X22	170	200	22	23.00 +0.30 +0.00	170.00 -0.043 -0.106	200.00 +0.00 -0.20	170.00 +0.00 -0.16	200.00 +0.115 +0.000	45.17
MUU-175X200X15	175	200	15	17.00 +0.30 +0.00	175.00 -0.043 -0.106	200.00 +0.185 +0.000	175.00 +0.00 -0.16	200.00 +0.115 +0.000	111.42
MUU-180X200X18	180	200	18	19.00 +0.30 +0.00	180.00 -0.043 -0.106	200.00 +0.00 -0.20	180.00 +0.00 -0.16	200.00 +0.115 +0.000	86.22



STYLE MUU SYMMETRICAL U-SEALS

U-SEALS

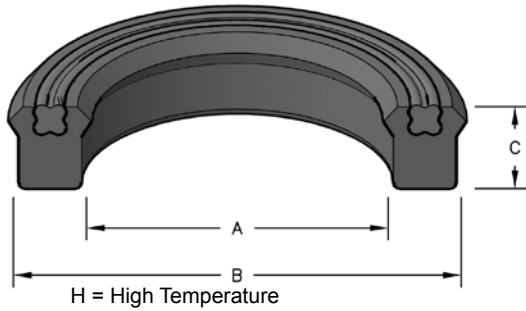
Part Number	A Nom. ID	B Nom. OD	C Nom. Ht	D GROOVE WIDTH	E ROD DIAMETER	G HOUSING DIAMETER	H GROOVE DIAMETER	J BORE DIAMETER	List Price
MUU-180X205X15	180	205	15	17.00 +0.30 +0.00	180.00 -0.043 -0.106	205.00 +0.185 +0.000	180.00 +0.00 -0.16	205.00 +0.115 +0.000	117.75
MUU-180X210X15	180	210	15	16.00 +0.30 +0.00	180.00 -0.043 -0.106	210.00 +0.00 -0.20	180.00 +0.00 -0.16	210.00 +0.115 +0.000	141.29
MUU-180X210X22	180	210	22	23.00 +0.30 +0.00	180.00 -0.043 -0.106	210.00 +0.00 -0.20	180.00 +0.00 -0.16	210.00 +0.115 +0.000	45.17
MUU-190X210X12	190	210	12	13.00 +0.30 +0.00	190.00 -0.050 -0.122	210.00 +0.00 -0.20	190.00 +0.000 -0.185	210.00 +0.115 +0.000	122.22
MUU-190X210X15	190	210	15	16.00 +0.30 +0.00	190.00 -0.050 -0.122	210.00 +0.00 -0.20	190.00 +0.000 -0.185	210.00 +0.115 +0.000	48.28
MUU-190X215X15	190	215	15	17.00 +0.30 +0.00	190.00 -0.050 -0.122	215.00 +0.185 +0.000	190.00 +0.000 -0.185	215.00 +0.115 +0.000	124.54
MUU-200X220X12	200	220	12	13.00 +0.30 +0.00	200.00 -0.050 -0.122	220.00 +0.00 -0.20	200.00 +0.000 -0.185	220.00 +0.115 +0.000	126.74
MUU-200X225X15	200	225	15	17.00 +0.30 +0.00	200.00 -0.050 -0.122	225.00 +0.185 +0.000	200.00 +0.000 -0.185	225.00 +0.115 +0.000	128.24
MUU-200X225X18	200	225	18	20.00 +0.30 +0.00	200.00 -0.050 -0.122	225.00 +0.185 +0.000	200.00 +0.000 -0.185	225.00 +0.115 +0.000	73.18
MUU-200X230X18	200	230	18	19.00 +0.30 +0.00	200.00 -0.050 -0.122	230.00 +0.00 -0.20	200.00 +0.000 -0.185	230.00 +0.115 +0.000	62.94
MUU-210X235X18	210	235	18	20.00 +0.30 +0.00	210.00 -0.050 -0.122	235.00 +0.185 +0.000	210.00 +0.000 -0.185	235.00 +0.115 +0.000	134.11
MUU-210X240X18	210	240	18	19.00 +0.30 +0.00	210.00 -0.050 -0.122	240.00 +0.00 -0.20	210.00 +0.000 -0.185	240.00 +0.115 +0.000	77.33
MUU-220X240X12	220	240	12	13.00 +0.30 +0.00	220.00 -0.050 -0.122	240.00 +0.00 -0.20	220.00 +0.000 -0.185	240.00 +0.115 +0.000	135.70
MUU-220X240X15	220	240	15	16.00 +0.30 +0.00	220.00 -0.050 -0.122	240.00 +0.00 -0.20	220.00 +0.000 -0.185	240.00 +0.115 +0.000	122.12
MUU-220X250X15	220	250	15	16.00 +0.30 +0.00	220.00 -0.050 -0.122	250.00 +0.00 -0.20	220.00 +0.000 -0.185	250.00 +0.115 +0.000	72.41
MUU-220X250X17	220	250	17	19.20 +0.30 +0.00	220.00 -0.050 -0.122	250.00 +0.00 -0.20	220.00 +0.000 -0.185	250.00 +0.115 +0.000	136.91
MUU-220X250X18	220	250	18	19.00 +0.30 +0.00	220.00 -0.050 -0.122	250.00 +0.00 -0.20	220.00 +0.000 -0.185	250.00 +0.115 +0.000	99.97
MUU-220X250X20	220	250	20	21.00 +0.30 +0.00	220.00 -0.050 -0.122	250.00 +0.00 -0.20	220.00 +0.000 -0.185	250.00 +0.115 +0.000	79.83
MUU-230X250X12	230	250	12	13.00 +0.30 +0.00	230.00 -0.050 -0.122	250.00 +0.00 -0.20	230.00 +0.000 -0.185	250.00 +0.115 +0.000	137.54
MUU-230X250X15	230	250	15	16.00 +0.30 +0.00	230.00 -0.050 -0.122	250.00 +0.00 -0.20	230.00 +0.000 -0.185	250.00 +0.115 +0.000	72.41
MUU-240X260X16	240	260	16	17.00 +0.30 +0.00	240.00 -0.050 -0.122	260.00 +0.00 -0.20	240.00 +0.000 -0.185	260.00 +0.13 +0.00	78.28
MUU-245X270X15	245	270	15	16.00 +0.30 +0.00	245.00 -0.050 -0.122	270.00 +0.00 -0.20	245.00 +0.000 -0.185	270.00 +0.13 +0.00	90.78
MUU-250X270X15	250	270	15	16.00 +0.30 +0.00	250.00 -0.050 -0.122	270.00 +0.00 -0.20	250.00 +0.000 -0.185	270.00 +0.13 +0.00	146.27
MUU-250X275X18	250	275	18	20.00 +0.30 +0.00	250.00 -0.050 -0.122	275.00 +0.21 +0.00	250.00 +0.000 -0.185	275.00 +0.13 +0.00	169.00
MUU-250X280X18	250	280	18	19.00 +0.30 +0.00	250.00 -0.050 -0.122	280.00 +0.00 -0.20	250.00 +0.000 -0.185	280.00 +0.13 +0.00	103.71
MUU-260X290X18	260	290	18	20.00 +0.30 +0.00	260.00 -0.056 -0.137	290.00 +0.21 +0.00	260.00 +0.00 -0.21	290.00 +0.13 +0.00	89.81
MUU-270X290X17	270	290	17	18.00 +0.30 +0.00	270.00 -0.056 -0.137	290.00 +0.00 -0.20	270.00 +0.00 -0.21	290.00 +0.13 +0.00	166.15
MUU-280X300X15	280	300	15	16.00 +0.30 +0.00	280.00 -0.056 -0.137	300.00 +0.00 -0.20	280.00 +0.00 -0.21	300.00 +0.13 +0.00	121.01
MUU-320X340X15	320	340	15	16.00 +0.30 +0.00	320.00 -0.062 -0.151	340.00 +0.00 -0.20	320.00 +0.00 -0.23	340.00 +0.14 +0.00	203.40

Seal color may vary. Special order sizes are available. Sizes not shown and out of stock items can also be ordered for next day delivery through Seals On Demand, our custom seal program. Please call your regional sales team for assistance.

STYLE MUUL LOADED SYMMETRICAL U-SEALS



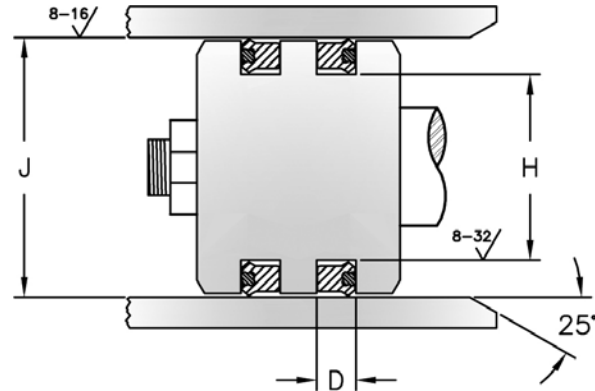
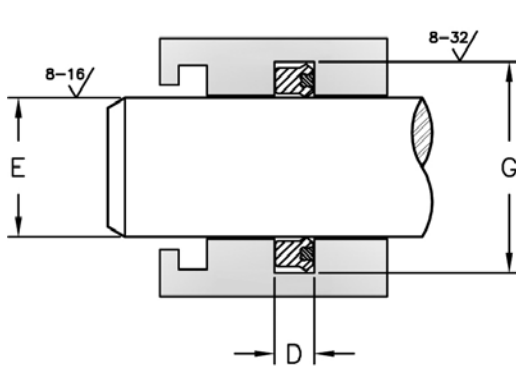
Molded from tough polyurethane material, these seals offer high resistance to wear and abrasion. Energized with a four-lobed ring, they have greatly increased low pressure performance.



HERCULES PART NUMBERS

MUUL - 2 X 19 X 8
 Style Prefix Inside Diameter Outside Diameter Height

SEAL INFORMATION	
MATERIAL	URETHANE
TEMPERATURE RANGE	-40° TO +200° F
PRESSURE RANGE	0 TO 5,000 PSI
SPEED	3 FT/SEC



Part Number	A Nom. ID	B Nom. OD	C Nom. Ht	D GROOVE WIDTH	E ROD DIAMETER	G HOUSING DIAMETER	H GROOVE DIAMETER	J BORE DIAMETER	List Price
MUUL-9X19X8	9	19	8	8.80 +0.20 +0.00	9.00 +0.000 -0.036	19.00 +0.052 +0.000	9.00 +0.000 -0.058	19.00 +0.052 +0.000	\$8.34
MUUL-10X16X6	10	16	6	6.60 +0.20 +0.00	10.00 +0.000 -0.036	16.00 +0.043 +0.000	10.00 +0.000 -0.058	16.00 +0.043 +0.000	8.26
MUUL-10X18X5.7	10	18	5.7	6.30 +0.20 +0.00	10.00 +0.000 -0.043	18.00 +0.052 +0.000	10.00 +0.000 -0.058	18.00 +0.043 +0.000	5.66
MUUL-10X18X8	10	18	8	8.80 +0.20 +0.00	10.00 +0.000 -0.036	18.00 +0.043 +0.000	10.00 +0.000 -0.058	18.00 +0.043 +0.000	5.66
MUUL-10X20X8	10	20	8	8.80 +0.20 +0.00	10.00 +0.000 -0.036	20.00 +0.052 +0.000	10.00 +0.000 -0.058	20.00 +0.052 +0.000	8.26
MUUL-12X18X6	12	18	6	6.60 +0.20 +0.00	12.00 +0.000 -0.043	18.00 +0.043 +0.000	12.00 +0.00 -0.07	18.00 +0.043 +0.000	8.43
MUUL-12X22X6	12	22	6	6.60 +0.20 +0.00	12.00 +0.000 -0.043	22.00 +0.052 +0.000	12.00 +0.00 -0.07	22.00 +0.052 +0.000	6.08
MUUL-12X22X7.7	12	22	7.7	8.50 +0.20 +0.00	12.00 +0.000 -0.043	22.00 +0.052 +0.000	12.00 +0.00 -0.07	22.00 +0.052 +0.000	8.99
MUUL-12X22X8	12	22	8	8.80 +0.20 +0.00	12.00 +0.000 -0.043	22.00 +0.052 +0.000	12.00 +0.00 -0.07	22.00 +0.052 +0.000	6.08
MUUL-12.5X22.5X8	12.5	22.5	8	8.80 +0.20 +0.00	12.50 +0.000 -0.043	22.50 +0.052 +0.000	12.50 +0.00 -0.07	22.50 +0.052 +0.000	9.76
MUUL-14X22X5	14	22	5	5.50 +0.20 +0.00	14.00 +0.000 -0.043	22.00 +0.052 +0.000	14.00 +0.00 -0.07	22.00 +0.052 +0.000	9.76
MUUL-14X24X8	14	24	8	8.80 +0.20 +0.00	14.00 +0.000 -0.043	24.00 +0.052 +0.000	14.00 +0.00 -0.07	24.00 +0.052 +0.000	9.76
MUUL-15X22X5	15	22	5	5.50 +0.20 +0.00	15.00 +0.000 -0.043	22.00 +0.052 +0.000	15.00 +0.00 -0.07	22.00 +0.052 +0.000	6.25
MUUL-15X25X8	15	25	8	8.80 +0.20 +0.00	15.00 +0.000 -0.043	25.00 +0.052 +0.000	15.00 +0.00 -0.07	25.00 +0.052 +0.000	10.27
MUUL-16X24X5	16	24	5	5.50 +0.20 +0.00	16.00 +0.000 -0.043	24.00 +0.052 +0.000	16.00 +0.00 -0.07	24.00 +0.052 +0.000	9.17
MUUL-16X26X8	16	26	8	8.80 +0.20 +0.00	16.00 +0.000 -0.043	26.00 +0.052 +0.000	16.00 +0.00 -0.07	26.00 +0.052 +0.000	10.27
MUUL-17X25X10	17	25	10	11.00 +0.20 +0.00	17.00 +0.000 -0.043	25.00 +0.052 +0.000	17.00 +0.00 -0.07	25.00 +0.052 +0.000	6.49
MUUL-18X25X4.6	18	25	4.6	5.10 +0.20 +0.00	18.00 +0.000 -0.052	25.00 +0.052 +0.000	18.00 +0.00 -0.07	25.00 +0.052 +0.000	6.58

FORMERLY LISTED REPAIR PARTS ARE AVAILABLE ONLINE AT WWW.HERCULESUS.COM
 OR BY CONTACTING YOUR REGIONAL HERCULES SALES TEAM.

STYLE MUUL LOADED SYMMETRICAL U-SEALS



U-SEALS

Part Number	A Nom. ID	B Nom. OD	C Nom. Ht	D GROOVE WIDTH	E ROD DIAMETER	G HOUSING DIAMETER	H GROOVE DIAMETER	J BORE DIAMETER	List Price
MUUL-18X26X5	18	26	5	5.50 +0.20 +0.00	18.00 +0.00 -0.043	26.00 +0.052 +0.000	18.00 +0.00 -0.07	26.00 +0.052 +0.000	10.53
MUUL-18X28X8	18	28	8	8.80 +0.20 +0.00	18.00 +0.00 -0.043	28.00 +0.052 +0.000	18.00 +0.00 -0.07	28.00 +0.052 +0.000	18.40
MUUL-20X26X5	20	26	5	5.50 +0.20 +0.00	20.00 +0.00 -0.052	26.00 +0.052 +0.000	20.00 +0.000 -0.084	26.00 +0.052 +0.000	9.24
MUUL-20X27X6	20	27	6	6.60 +0.20 +0.00	20.00 +0.00 -0.052	27.00 +0.052 +0.000	20.00 +0.000 -0.084	27.00 +0.052 +0.000	6.75
MUUL-20X28X5	20	28	5	5.50 +0.20 +0.00	20.00 +0.00 -0.052	28.00 +0.052 +0.000	20.00 +0.000 -0.084	28.00 +0.052 +0.000	11.65
MUUL-20X28X5.7HT	20	28	5.7	6.30 +0.25 +0.00	20.00 +0.00 -0.052	28.00 +0.052 +0.000	N/A	N/A	31.34
MUUL-20X30X6	20	30	6	6.60 +0.20 +0.00	20.00 +0.00 -0.052	30.00 +0.052 +0.000	20.00 +0.000 -0.084	30.00 +0.052 +0.000	7.99
MUUL-20X30X7	20	30	7	7.90 +0.20 +0.00	20.00 +0.00 -0.052	30.00 +0.062 +0.000	20.00 +0.000 -0.084	30.00 +0.052 +0.000	7.99
MUUL-20X30X8	20	30	8	8.80 +0.20 +0.00	20.00 +0.00 -0.052	30.00 +0.052 +0.000	20.00 +0.000 -0.084	30.00 +0.052 +0.000	11.38
MUUL-20X32X8	20	32	8	8.80 +0.20 +0.00	20.00 +0.00 -0.052	32.00 +0.062 +0.000	20.00 +0.000 -0.084	32.00 +0.062 +0.000	8.14
MUUL-20X35X10	20	35	10	11.00 +0.20 +0.00	20.00 +0.00 -0.052	35.00 +0.062 +0.000	20.00 +0.000 -0.084	35.00 +0.062 +0.000	20.42
MUUL-20X35X12	20	35	12	13.20 +0.20 +0.00	20.00 +0.00 -0.052	35.00 +0.062 +0.000	20.00 +0.000 -0.084	35.00 +0.062 +0.000	20.42
MUUL-20X40X12	20	40	12	13.20 +0.20 +0.00	20.00 +0.00 -0.052	40.00 +0.062 +0.000	20.00 +0.000 -0.084	40.00 +0.062 +0.000	24.60
MUUL-22X30X5	22	30	5	5.50 +0.20 +0.00	22.00 +0.00 -0.052	30.00 +0.052 +0.000	22.00 +0.000 -0.084	30.00 +0.052 +0.000	12.62
MUUL-22X30X5.7	22	30	5.7	6.30 +0.20 +0.00	22.00 +0.00 -0.052	30.00 +0.052 +0.000	22.00 +0.000 -0.084	30.00 +0.052 +0.000	12.62
MUUL-22X30X6	22	30	6	6.60 +0.20 +0.00	22.00 +0.00 -0.052	30.00 +0.052 +0.000	22.00 +0.000 -0.084	30.00 +0.052 +0.000	12.62
MUUL-22X30X7	22	30	7	7.70 +0.20 +0.00	22.00 +0.00 -0.052	30.00 +0.052 +0.000	22.00 +0.000 -0.084	30.00 +0.052 +0.000	12.68
MUUL-22X32X8	22	32	8	8.80 +0.20 +0.00	22.00 +0.00 -0.052	32.00 +0.062 +0.000	22.00 +0.000 -0.084	32.00 +0.062 +0.000	12.68
MUUL-22X35X8	22	35	8	8.80 +0.20 +0.00	22.00 +0.00 -0.052	35.00 +0.062 +0.000	22.00 +0.000 -0.084	35.00 +0.062 +0.000	12.79
MUUL-22X35X10	22	35	10	11.00 +0.20 +0.00	22.00 +0.00 -0.052	35.00 +0.062 +0.000	22.00 +0.000 -0.084	35.00 +0.062 +0.000	12.94
MUUL-22X40X12	22	40	12	13.20 +0.20 +0.00	22.00 +0.00 -0.052	40.00 +0.062 +0.000	22.00 +0.000 -0.084	40.00 +0.062 +0.000	15.29
MUUL-22.4X30X5	22.4	30	5	5.50 +0.20 +0.00	22.40 +0.00 -0.052	30.00 +0.052 +0.000	22.40 +0.000 -0.084	30.00 +0.052 +0.000	12.92
MUUL-22.4X32.4X8	22.4	32.4	8	8.80 +0.20 +0.00	22.40 +0.00 -0.052	32.40 +0.062 +0.000	22.40 +0.000 -0.084	32.40 +0.062 +0.000	15.97
MUUL-23.5X31.5X5	23.5	31.5	5	5.50 +0.20 +0.00	23.50 +0.00 -0.052	31.50 +0.062 +0.000	23.50 +0.000 -0.084	31.50 +0.062 +0.000	7.23
MUUL-25X33X5	25	33	5	5.50 +0.20 +0.00	25.00 +0.00 -0.052	33.00 +0.062 +0.000	25.00 +0.000 -0.084	33.00 +0.062 +0.000	13.31
MUUL-25X33X5.5	25	33	5.5	6.10 +0.20 +0.00	25.00 +0.00 -0.052	33.00 +0.10 +0.00	25.00 +0.000 -0.064	33.00 +0.062 +0.000	10.75
MUUL-25X33X6	25	33	6	6.30 +0.20 +0.00	25.00 +0.00 -0.052	33.00 +0.062 +0.000	25.00 +0.000 -0.084	33.00 +0.062 +0.000	14.08
MUUL-25X33X8	25	33	8	8.80 +0.20 +0.00	25.00 +0.00 -0.052	33.00 +0.062 +0.000	25.00 +0.000 -0.084	33.00 +0.062 +0.000	15.65
MUUL-25X33X10	25	33	10	11.00 +0.20 +0.00	25.00 +0.00 -0.052	33.00 +0.062 +0.000	25.00 +0.000 -0.084	33.00 +0.062 +0.000	13.72
MUUL-25X35X6	25	35	6	6.60 +0.20 +0.00	25.00 +0.00 -0.052	35.00 +0.062 +0.000	25.00 +0.000 -0.084	35.00 +0.062 +0.000	8.24
MUUL-25X35X8	25	35	8	8.80 +0.20 +0.00	25.00 +0.00 -0.052	35.00 +0.062 +0.000	25.00 +0.000 -0.084	35.00 +0.062 +0.000	15.97
MUUL-25X35X10	25	35	10	11.00 +0.20 +0.00	25.00 +0.00 -0.052	35.00 +0.062 +0.000	25.00 +0.000 -0.084	35.00 +0.062 +0.000	15.97
MUUL-25X38X10	25	38	10	11.00 +0.20 +0.00	25.00 +0.00 -0.052	38.00 +0.062 +0.000	25.00 +0.000 -0.084	38.00 +0.062 +0.000	9.90

STYLE MUUL LOADED SYMMETRICAL U-SEALS



U-SEALS

Part Number	A Nom. ID	B Nom. OD	C Nom. Ht	D GROOVE WIDTH	E ROD DIAMETER	G HOUSING DIAMETER	H GROOVE DIAMETER	J BORE DIAMETER	List Price
MUUL-25X40X10	25	40	10	11.00 +0.20 +0.00	25.00 +0.000 -0.052	40.00 +0.062 +0.000	25.00 +0.000 -0.084	40.00 +0.062 +0.000	15.97
MUUL-26X36X7	26	36	7	7.70 +0.20 +0.00	26.00 +0.000 -0.052	36.00 +0.062 +0.000	26.00 +0.000 -0.084	36.00 +0.062 +0.000	11.51
MUUL-28X35.5X5	28	35.5	5	5.50 +0.20 +0.00	28.00 +0.000 -0.052	35.50 +0.062 +0.000	28.00 +0.000 -0.084	35.50 +0.062 +0.000	15.69
MUUL-28X36X5.3	28	36	5.3	5.80 +0.20 +0.00	28.00 +0.000 -0.052	36.00 +0.062 +0.000	28.00 +0.000 -0.084	36.00 +0.062 +0.000	7.40
MUUL-28X38X7.3	28	38	7.3	8.00 +0.20 +0.00	28.00 +0.000 -0.052	38.00 +0.062 +0.000	28.00 +0.000 -0.084	38.00 +0.062 +0.000	15.97
MUUL-28X38X8	28	38	8	8.80 +0.20 +0.00	28.00 +0.000 -0.052	38.00 +0.062 +0.000	28.00 +0.000 -0.084	38.00 +0.062 +0.000	15.97
MUUL-28X40X10	28	40	10	11.00 +0.20 +0.00	28.00 +0.000 -0.052	40.00 +0.062 +0.000	28.00 +0.000 -0.084	40.00 +0.062 +0.000	15.97
MUUL-28X43X10	28	43	10	11.00 +0.20 +0.00	28.00 +0.000 -0.052	43.00 +0.062 +0.000	28.00 +0.000 -0.084	43.00 +0.062 +0.000	15.97
MUUL-30X38X6.3	30	38	6.3	7.00 +0.20 +0.00	30.00 +0.000 -0.052	38.00 +0.062 +0.000	30.00 +0.000 -0.084	38.00 +0.062 +0.000	16.94
MUUL-30X38X8	30	38	8	8.80 +0.20 +0.00	30.00 +0.000 -0.052	38.00 +0.062 +0.000	30.00 +0.000 -0.084	38.00 +0.062 +0.000	16.94
MUUL-30X40X6	30	40	6	6.60 +0.20 +0.00	30.00 +0.000 -0.052	40.00 +0.062 +0.000	30.00 +0.000 -0.084	40.00 +0.062 +0.000	18.07
MUUL-30X40X7	30	40	7	7.70 +0.20 +0.00	30.00 +0.000 -0.052	40.00 +0.062 +0.000	30.00 +0.000 -0.084	40.00 +0.062 +0.000	18.07
MUUL-30X40X7.3	30	40	7.3	8.00 +0.20 +0.00	30.00 +0.000 -0.052	40.00 +0.062 +0.000	30.00 +0.000 -0.084	40.00 +0.062 +0.000	18.07
MUUL-30X40X10	30	40	10	11.00 +0.20 +0.00	30.00 +0.000 -0.052	40.00 +0.062 +0.000	30.00 +0.000 -0.084	40.00 +0.062 +0.000	17.06
MUUL-30X42X9	30	42	9	9.90 +0.20 +0.00	30.00 +0.000 -0.052	42.00 +0.062 +0.000	30.00 +0.000 -0.084	42.00 +0.062 +0.000	18.57
MUUL-30X42X10	30	42	10	11.00 +0.20 +0.00	30.00 +0.000 -0.052	42.00 +0.062 +0.000	30.00 +0.000 -0.084	42.00 +0.062 +0.000	18.57
MUUL-30X45X10	30	45	10	11.00 +0.20 +0.00	30.00 +0.000 -0.052	45.00 +0.062 +0.000	30.00 +0.000 -0.084	45.00 +0.062 +0.000	13.64
MUUL-30X50X10	30	50	10	11.00 +0.20 +0.00	30.00 +0.000 -0.052	50.00 +0.062 +0.000	30.00 +0.000 -0.084	50.00 +0.062 +0.000	14.99
MUUL-31.5X41.5X6	31.5	41.5	6	6.60 +0.20 +0.00	31.50 +0.000 -0.062	41.50 +0.062 +0.000	31.50 +0.000 -0.10	41.50 +0.062 +0.000	18.07
MUUL-32X40X5.7	32	40	5.7	6.30 +0.20 +0.00	32.00 +0.000 -0.062	40.00 +0.062 +0.000	32.00 +0.000 -0.10	40.00 +0.062 +0.000	14.48
MUUL-32X40X8	32	40	8	8.80 +0.20 +0.00	32.00 +0.000 -0.062	40.00 +0.062 +0.000	32.00 +0.000 -0.10	40.00 +0.062 +0.000	14.48
MUUL-32X42X7.3	32	42	7.3	8.00 +0.20 +0.00	32.00 +0.000 -0.062	42.00 +0.062 +0.000	32.00 +0.000 -0.10	42.00 +0.062 +0.000	18.57
MUUL-32X42X10	32	42	10	11.00 +0.20 +0.00	32.00 +0.000 -0.062	42.00 +0.062 +0.000	32.00 +0.000 -0.10	42.00 +0.062 +0.000	12.91
MUUL-32X47X10	32	47	10	11.00 +0.20 +0.00	32.00 +0.000 -0.062	47.00 +0.062 +0.000	32.00 +0.000 -0.10	47.00 +0.062 +0.000	14.85
MUUL-32X48X10	32	48	10	11.00 +0.20 +0.00	32.00 +0.000 -0.062	48.00 +0.062 +0.000	32.00 +0.000 -0.10	48.00 +0.062 +0.000	21.72
MUUL-33X40X8	33	40	8	8.80 +0.20 +0.00	33.00 +0.000 -0.062	40.00 +0.062 +0.000	33.00 +0.000 -0.10	40.00 +0.062 +0.000	8.07
MUUL-33X43X10	33	43	10	11.00 +0.20 +0.00	33.00 +0.000 -0.062	43.00 +0.062 +0.000	33.00 +0.000 -0.10	43.00 +0.062 +0.000	8.73
MUUL-35X43X6.4	35	43	6.4	7.00 +0.20 +0.00	35.00 +0.000 -0.062	43.00 +0.062 +0.000	35.00 +0.000 -0.10	43.00 +0.062 +0.000	14.48
MUUL-35X43X8	35	43	8	8.80 +0.20 +0.00	35.00 +0.000 -0.062	43.00 +0.062 +0.000	35.00 +0.000 -0.10	43.00 +0.062 +0.000	14.48
MUUL-35X45X6	35	45	6	6.60 +0.20 +0.00	35.00 +0.000 -0.062	45.00 +0.062 +0.000	35.00 +0.000 -0.10	45.00 +0.062 +0.000	19.26
MUUL-35X45X7.3	35	45	7.3	8.00 +0.20 +0.00	35.00 +0.000 -0.062	45.00 +0.062 +0.000	35.00 +0.000 -0.10	45.00 +0.062 +0.000	19.26
MUUL-35X45X8	35	45	8	8.80 +0.20 +0.00	35.00 +0.000 -0.062	45.00 +0.062 +0.000	35.00 +0.000 -0.10	45.00 +0.062 +0.000	19.26
MUUL-35X45X10	35	45	10	11.00 +0.20 +0.00	35.00 +0.000 -0.062	45.00 +0.062 +0.000	35.00 +0.000 -0.10	45.00 +0.062 +0.000	18.47



STYLE MUUL LOADED SYMMETRICAL U-SEALS

U-SEALS

Part Number	A Nom. ID	B Nom. OD	C Nom. Ht	D GROOVE WIDTH	E ROD DIAMETER	G HOUSING DIAMETER	H GROOVE DIAMETER	J BORE DIAMETER	List Price
MUUL-35X50X10	35	50	10	11.00 +0.20 +0.00	35.00 +0.000 -0.062	50.00 +0.062 +0.000	35.00 +0.00 -0.10	50.00 +0.062 +0.000	15.02
MUUL-35X55X10	35	55	10	11.00 +0.20 +0.00	35.00 +0.000 -0.062	55.00 +0.074 +0.000	35.00 +0.00 -0.10	55.00 +0.074 +0.000	22.19
MUUL-36X44X6	36	44	6	6.60 +0.20 +0.00	36.00 +0.000 -0.062	44.00 +0.062 +0.000	36.00 +0.00 -0.10	44.00 +0.062 +0.000	12.32
MUUL-36X44X8	36	44	8	8.80 +0.20 +0.00	36.00 +0.000 -0.062	44.00 +0.062 +0.000	36.00 +0.00 -0.10	44.00 +0.062 +0.000	12.32
MUUL-36X46X10	36	46	10	11.00 +0.20 +0.00	36.00 +0.000 -0.062	46.00 +0.062 +0.000	36.00 +0.00 -0.10	46.00 +0.062 +0.000	20.82
MUUL-36X52X10	36	52	10	11.00 +0.20 +0.00	36.00 +0.000 -0.062	52.00 +0.074 +0.000	36.00 +0.00 -0.10	52.00 +0.074 +0.000	11.81
MUUL-40X48X6	40	48	6	6.60 +0.20 +0.00	40.00 +0.000 -0.062	48.00 +0.062 +0.000	40.00 +0.00 -0.10	48.00 +0.062 +0.000	13.61
MUUL-40X48X8	40	48	8	8.80 +0.20 +0.00	40.00 +0.000 -0.062	48.00 +0.062 +0.000	40.00 +0.00 -0.10	48.00 +0.062 +0.000	13.61
MUUL-40X50X6	40	50	6	6.60 +0.20 +0.00	40.00 +0.000 -0.062	50.00 +0.062 +0.000	40.00 +0.00 -0.10	50.00 +0.062 +0.000	19.87
MUUL-40X50X6.5	40	50	6.5	7.20 +0.20 +0.00	40.00 +0.000 -0.062	50.00 +0.062 +0.000	40.00 +0.00 -0.10	50.00 +0.062 +0.000	19.87
MUUL-40X50X7.3	40	50	7.3	8.00 +0.20 +0.00	40.00 +0.000 -0.062	50.00 +0.062 +0.000	40.00 +0.00 -0.10	50.00 +0.062 +0.000	20.77
MUUL-40X50X7.3HT	40	50	7.3	8.00 +0.25 +0.00	40.00 +0.000 -0.062	50.00 +0.062 +0.000	40.00 +0.00 -0.10	50.00 +0.062 +0.000	21.92
MUUL-40X50X8	40	50	8	8.80 +0.20 +0.00	40.00 +0.000 -0.062	50.00 +0.062 +0.000	40.00 +0.00 -0.10	50.00 +0.062 +0.000	20.77
MUUL-40X50X10	40	50	10	11.00 +0.20 +0.00	40.00 +0.000 -0.062	50.00 +0.062 +0.000	40.00 +0.00 -0.10	50.00 +0.062 +0.000	20.77
MUUL-40X53X8	40	53	8	8.80 +0.20 +0.00	40.00 +0.000 -0.062	53.00 +0.074 +0.000	40.00 +0.00 -0.10	53.00 +0.074 +0.000	21.81
MUUL-40X55X9	40	55	9	9.90 +0.20 +0.00	40.00 +0.000 -0.062	55.00 +0.074 +0.000	40.00 +0.00 -0.10	55.00 +0.074 +0.000	21.81
MUUL-40X55X10	40	55	10	11.00 +0.20 +0.00	40.00 +0.000 -0.062	55.00 +0.074 +0.000	40.00 +0.00 -0.10	55.00 +0.074 +0.000	21.14
MUUL-40X60X12	40	60	12	13.20 +0.20 +0.00	40.00 +0.000 -0.062	60.00 +0.074 +0.000	40.00 +0.00 -0.10	60.00 +0.074 +0.000	23.93
MUUL-42X50X6	42	50	6	6.60 +0.20 +0.00	42.00 +0.000 -0.062	50.00 +0.062 +0.000	42.00 +0.00 -0.10	50.00 +0.062 +0.000	20.05
MUUL-42X55X7	42	55	7	7.70 +0.20 +0.00	42.00 +0.000 -0.062	55.00 +0.074 +0.000	42.00 +0.00 -0.10	55.00 +0.074 +0.000	21.81
MUUL-45X53X8	45	53	8	8.80 +0.20 +0.00	45.00 +0.000 -0.062	53.00 +0.074 +0.000	45.00 +0.00 -0.10	53.00 +0.074 +0.000	17.40
MUUL-45X53X8HT	45	53	8	9.00 +0.25 +0.00	45.00 +0.000 -0.062	53.00 +0.074 +0.000	45.00 +0.00 -0.10	53.00 +0.074 +0.000	20.91
MUUL-45X55X6	45	55	6	6.60 +0.20 +0.00	45.00 +0.000 -0.062	55.00 +0.074 +0.000	45.00 +0.00 -0.10	55.00 +0.074 +0.000	21.14
MUUL-45X55X7.3	45	55	7.3	8.00 +0.20 +0.00	45.00 +0.000 -0.062	55.00 +0.074 +0.000	45.00 +0.00 -0.10	55.00 +0.074 +0.000	21.14
MUUL-45X55X10	45	55	10	11.00 +0.20 +0.00	45.00 +0.000 -0.062	55.00 +0.074 +0.000	45.00 +0.00 -0.10	55.00 +0.074 +0.000	26.97
MUUL-45X56X7	45	56	7	7.70 +0.20 +0.00	45.00 +0.000 -0.062	56.00 +0.074 +0.000	45.00 +0.00 -0.10	56.00 +0.074 +0.000	21.32
MUUL-45X60X9	45	60	9	9.90 +0.20 +0.00	45.00 +0.000 -0.062	60.00 +0.074 +0.000	45.00 +0.00 -0.10	60.00 +0.074 +0.000	26.97
MUUL-45X60X10	45	60	10	11.00 +0.20 +0.00	45.00 +0.000 -0.062	60.00 +0.074 +0.000	45.00 +0.00 -0.10	60.00 +0.074 +0.000	27.47
MUUL-45X60X11.5	45	60	11.5	12.50 +0.20 +0.00	45.00 +0.000 -0.062	60.00 +0.074 +0.000	45.00 +0.00 -0.10	60.00 +0.074 +0.000	13.48
MUUL-45X63X12	45	63	12	13.20 +0.20 +0.00	45.00 +0.000 -0.062	63.00 +0.074 +0.000	45.00 +0.00 -0.10	63.00 +0.074 +0.000	13.88
MUUL-45X65X12	45	65	12	13.20 +0.20 +0.00	45.00 +0.000 -0.062	65.00 +0.074 +0.000	45.00 +0.00 -0.10	65.00 +0.074 +0.000	30.45
MUUL-48X63X10.2	48	63	10.2	11.20 +0.20 +0.00	48.00 +0.000 -0.062	63.00 +0.074 +0.000	48.00 +0.00 -0.10	63.00 +0.074 +0.000	13.98
MUUL-50X58X8	50	58	8	8.80 +0.20 +0.00	50.00 +0.000 -0.062	58.00 +0.074 +0.000	50.00 +0.00 -0.10	58.00 +0.074 +0.000	10.31

STYLE MUUL LOADED SYMMETRICAL U-SEALS



Part Number	A Nom. ID	B Nom. OD	C Nom. Ht	D GROOVE WIDTH	E ROD DIAMETER	G HOUSING DIAMETER	H GROOVE DIAMETER	J BORE DIAMETER	List Price
MUUL-50X60X6	50	60	6	6.60 +0.20 +0.00	50.00 +0.000 -0.062	60.00 +0.074 +0.000	50.00 +0.00 -0.10	60.00 +0.074 +0.000	21.44
MUUL-50X60X7.3	50	60	7.3	8.00 +0.20 +0.00	50.00 +0.000 -0.062	60.00 +0.074 +0.000	50.00 +0.00 -0.10	60.00 +0.074 +0.000	25.06
MUUL-50X60X10	50	60	10	11.00 +0.20 +0.00	50.00 +0.000 -0.062	60.00 +0.074 +0.000	50.00 +0.00 -0.10	60.00 +0.074 +0.000	20.38
MUUL-50X60X12	50	60	12	13.20 +0.20 +0.00	50.00 +0.000 -0.062	60.00 +0.074 +0.000	50.00 +0.00 -0.10	60.00 +0.074 +0.000	52.68
MUUL-50X63X10	50	63	10	11.00 +0.20 +0.00	50.00 +0.000 -0.062	63.00 +0.074 +0.000	50.00 +0.00 -0.10	63.00 +0.074 +0.000	21.42
MUUL-50X65X9	50	65	9	9.90 +0.20 +0.00	50.00 +0.000 -0.062	65.00 +0.074 +0.000	50.00 +0.00 -0.10	65.00 +0.074 +0.000	28.25
MUUL-50X65X10	50	65	10	11.00 +0.20 +0.00	50.00 +0.000 -0.062	65.00 +0.074 +0.000	50.00 +0.00 -0.10	65.00 +0.074 +0.000	30.34
MUUL-50X65X11.4	50	65	11.4	12.50 +0.20 +0.00	50.00 +0.000 -0.062	65.00 +0.074 +0.000	50.00 +0.00 -0.10	65.00 +0.074 +0.000	33.28
MUUL-50X70X10	50	70	10	11.00 +0.20 +0.00	50.00 +0.000 -0.062	70.00 +0.074 +0.000	50.00 +0.00 -0.10	70.00 +0.074 +0.000	19.06
MUUL-50X70X12	50	70	12	13.20 +0.20 +0.00	50.00 +0.000 -0.062	70.00 +0.074 +0.000	50.00 +0.00 -0.10	70.00 +0.074 +0.000	31.93
MUUL-53X63X6	53	63	6	6.60 +0.20 +0.00	53.00 +0.000 -0.074	63.00 +0.074 +0.000	53.00 +0.00 -0.12	63.00 +0.074 +0.000	22.14
MUUL-53X63X7.3D	53	63	7.3	11.00 +0.20 +0.00	53.00 +0.000 -0.074	63.00 +0.12 +0.00	53.00 +0.00 -0.12	63.00 +0.074 +0.000	49.16
MUUL-55X65X6	55	65	6	6.60 +0.20 +0.00	55.00 +0.000 -0.074	65.00 +0.074 +0.000	55.00 +0.00 -0.12	65.00 +0.074 +0.000	24.02
MUUL-55X65X10	55	65	10	11.00 +0.20 +0.00	55.00 +0.000 -0.074	65.00 +0.074 +0.000	55.00 +0.00 -0.12	65.00 +0.074 +0.000	31.01
MUUL-55X65X12	55	65	12	13.20 +0.20 +0.00	55.00 +0.000 -0.074	65.00 +0.074 +0.000	55.00 +0.00 -0.12	65.00 +0.074 +0.000	34.50
MUUL-55X70X9	55	70	9	9.90 +0.20 +0.00	55.00 +0.000 -0.074	70.00 +0.074 +0.000	55.00 +0.00 -0.12	70.00 +0.074 +0.000	30.08
MUUL-55X70X12	55	70	12	13.20 +0.20 +0.00	55.00 +0.000 -0.074	70.00 +0.074 +0.000	55.00 +0.00 -0.12	70.00 +0.074 +0.000	27.09
MUUL-55X75X12	55	75	12	13.20 +0.20 +0.00	55.00 +0.000 -0.074	75.00 +0.074 +0.000	55.00 +0.00 -0.12	75.00 +0.074 +0.000	36.17
MUUL-56X66X6	56	66	6	6.60 +0.20 +0.00	56.00 +0.000 -0.074	66.00 +0.074 +0.000	56.00 +0.00 -0.12	66.00 +0.074 +0.000	22.99
MUUL-56X66X10	56	66	10	11.00 +0.20 +0.00	56.00 +0.000 -0.074	66.00 +0.074 +0.000	56.00 +0.00 -0.12	66.00 +0.074 +0.000	23.29
MUUL-56X71X10.6HT	56	71	10.6	12.00 +0.25 +0.00	56.00 +0.000 -0.074	71.00 +0.074 +0.000	56.00 +0.00 -0.12	71.00 +0.074 +0.000	23.29
MUUL-56X71X11.4	56	71	11.4	12.50 +0.20 +0.00	56.00 +0.000 -0.074	71.00 +0.074 +0.000	56.00 +0.00 -0.12	71.00 +0.074 +0.000	27.63
MUUL-60X70X6	60	70	6	6.60 +0.20 +0.00	60.00 +0.000 -0.074	70.00 +0.074 +0.000	60.00 +0.00 -0.12	70.00 +0.074 +0.000	23.33
MUUL-60X70X8	60	70	8	8.80 +0.20 +0.00	60.00 +0.000 -0.074	70.00 +0.074 +0.000	60.00 +0.00 -0.12	70.00 +0.074 +0.000	23.33
MUUL-60X70X10	60	70	10	11.00 +0.20 +0.00	60.00 +0.000 -0.074	70.00 +0.074 +0.000	60.00 +0.00 -0.12	70.00 +0.074 +0.000	22.39
MUUL-60X70X12	60	70	12	13.20 +0.20 +0.00	60.00 +0.000 -0.074	70.00 +0.074 +0.000	60.00 +0.00 -0.12	70.00 +0.074 +0.000	23.33
MUUL-60X71X7	60	71	7	7.70 +0.20 +0.00	60.00 +0.000 -0.074	71.00 +0.074 +0.000	60.00 +0.00 -0.12	71.00 +0.074 +0.000	20.77
MUUL-60X73X10	60	73	10	11.00 +0.20 +0.00	60.00 +0.000 -0.074	73.00 +0.074 +0.000	60.00 +0.00 -0.12	73.00 +0.074 +0.000	27.14
MUUL-60X75X9	60	75	9	9.90 +0.20 +0.00	60.00 +0.000 -0.074	75.00 +0.074 +0.000	60.00 +0.00 -0.12	75.00 +0.074 +0.000	31.19
MUUL-60X75X11	60	75	11	12.10 +0.20 +0.00	60.00 +0.000 -0.074	75.00 +0.074 +0.000	60.00 +0.00 -0.12	75.00 +0.074 +0.000	31.19
MUUL-60X80X12	60	80	12	13.20 +0.20 +0.00	60.00 +0.000 -0.074	80.00 +0.074 +0.000	60.00 +0.00 -0.12	80.00 +0.074 +0.000	32.51
MUUL-63X71X8	63	71	8	8.80 +0.20 +0.00	63.00 +0.000 -0.074	71.00 +0.074 +0.000	63.00 +0.00 -0.12	71.00 +0.074 +0.000	12.61
MUUL-63X73X6	63	73	6	6.60 +0.20 +0.00	63.00 +0.000 -0.074	73.00 +0.074 +0.000	63.00 +0.00 -0.12	73.00 +0.074 +0.000	14.16

U-SEALS



STYLE MUUL LOADED SYMMETRICAL U-SEALS

U-SEALS

Part Number	A Nom. ID	B Nom. OD	C Nom. Ht	D GROOVE WIDTH	E ROD DIAMETER	G HOUSING DIAMETER	H GROOVE DIAMETER	J BORE DIAMETER	List Price
MUUL-63X75X8.7	63	75	8.7	9.60 ^{+0.20} / _{+0.00}	63.00 ^{+0.000} / _{-0.074}	75.00 ^{+0.074} / _{+0.000}	63.00 ^{+0.00} / _{-0.12}	75.00 ^{-0.926} / _{+0.000}	25.09
MUUL-63X78X10.6HT	63	78	10.6	12.00 ^{+0.25} / _{+0.00}	63.00 ^{+0.000} / _{-0.074}	78.00 ^{+0.074} / _{+0.000}	63.00 ^{+0.00} / _{-0.12}	78.00 ^{+0.074} / _{+0.000}	37.25
MUUL-63X78X11.4	63	78	11.4	12.50 ^{+0.20} / _{+0.00}	63.00 ^{+0.000} / _{-0.074}	78.00 ^{+0.074} / _{+0.000}	63.00 ^{+0.00} / _{-0.12}	78.00 ^{+0.074} / _{+0.000}	30.24
MUUL-63X83X15	63	83	15	16.50 ^{+0.20} / _{+0.00}	63.00 ^{+0.000} / _{-0.074}	83.00 ^{+0.087} / _{+0.000}	63.00 ^{+0.00} / _{-0.12}	83.00 ^{+0.087} / _{+0.000}	35.00
MUUL-65X75X6	65	75	6	6.60 ^{+0.20} / _{+0.00}	65.00 ^{+0.000} / _{-0.074}	75.00 ^{+0.074} / _{+0.000}	65.00 ^{+0.00} / _{-0.12}	75.00 ^{+0.074} / _{+0.000}	26.16
MUUL-65X75X10	65	75	10	11.00 ^{+0.20} / _{+0.00}	65.00 ^{+0.000} / _{-0.074}	75.00 ^{+0.074} / _{+0.000}	65.00 ^{+0.00} / _{-0.12}	75.00 ^{+0.074} / _{+0.000}	14.48
MUUL-65X75X12	65	75	12	13.20 ^{+0.20} / _{+0.00}	65.00 ^{+0.000} / _{-0.074}	75.00 ^{+0.074} / _{+0.000}	65.00 ^{+0.00} / _{-0.12}	75.00 ^{+0.074} / _{+0.000}	26.56
MUUL-65X78X10	65	78	10	11.00 ^{+0.20} / _{+0.00}	65.00 ^{+0.000} / _{-0.074}	78.00 ^{+0.074} / _{+0.000}	65.00 ^{+0.00} / _{-0.12}	78.00 ^{+0.074} / _{+0.000}	29.45
MUUL-65X80X9	65	80	9	9.90 ^{+0.20} / _{+0.00}	65.00 ^{+0.000} / _{-0.074}	80.00 ^{+0.074} / _{+0.000}	65.00 ^{+0.00} / _{-0.12}	80.00 ^{+0.074} / _{+0.000}	34.57
MUUL-65X80X11	65	80	11	11.00 ^{+0.20} / _{+0.00}	65.00 ^{+0.000} / _{-0.074}	80.00 ^{+0.087} / _{+0.000}	65.00 ^{+0.00} / _{-0.12}	80.00 ^{+0.074} / _{+0.000}	16.73
MUUL-65X80X11.4	65	80	11.4	12.50 ^{+0.20} / _{+0.00}	65.00 ^{+0.000} / _{-0.074}	80.00 ^{+0.074} / _{+0.000}	65.00 ^{+0.00} / _{-0.12}	80.00 ^{+0.074} / _{+0.000}	34.57
MUUL-65X80X12	65	80	12	13.20 ^{+0.20} / _{+0.00}	65.00 ^{+0.000} / _{-0.074}	80.00 ^{+0.074} / _{+0.000}	65.00 ^{+0.00} / _{-0.12}	80.00 ^{+0.074} / _{+0.000}	30.77
MUUL-65X85X12	65	85	12	13.20 ^{+0.20} / _{+0.00}	65.00 ^{+0.000} / _{-0.074}	85.00 ^{+0.087} / _{+0.000}	65.00 ^{+0.00} / _{-0.12}	85.00 ^{+0.087} / _{+0.000}	37.20
MUUL-67X77X6	67	77	6	6.60 ^{+0.20} / _{+0.00}	67.00 ^{+0.000} / _{-0.074}	77.00 ^{+0.074} / _{+0.000}	67.00 ^{+0.00} / _{-0.12}	77.00 ^{+0.074} / _{+0.000}	14.89
MUUL-70X78X8	70	78	8	8.80 ^{+0.20} / _{+0.00}	70.00 ^{+0.000} / _{-0.074}	78.00 ^{+0.074} / _{+0.000}	70.00 ^{+0.00} / _{-0.12}	78.00 ^{+0.074} / _{+0.000}	14.46
MUUL-70X80X6	70	80	6	6.60 ^{+0.20} / _{+0.00}	70.00 ^{+0.000} / _{-0.074}	80.00 ^{+0.074} / _{+0.000}	70.00 ^{+0.00} / _{-0.12}	80.00 ^{+0.074} / _{+0.000}	28.55
MUUL-70X80X10	70	80	10	11.00 ^{+0.20} / _{+0.00}	70.00 ^{+0.000} / _{-0.074}	80.00 ^{+0.074} / _{+0.000}	70.00 ^{+0.00} / _{-0.12}	80.00 ^{+0.074} / _{+0.000}	28.58
MUUL-70X80X12	70	80	12	13.20 ^{+0.20} / _{+0.00}	70.00 ^{+0.000} / _{-0.074}	80.00 ^{+0.074} / _{+0.000}	70.00 ^{+0.00} / _{-0.12}	80.00 ^{+0.074} / _{+0.000}	36.70
MUUL-70X83X10	70	83	10	11.00 ^{+0.20} / _{+0.00}	70.00 ^{+0.000} / _{-0.074}	83.00 ^{+0.087} / _{+0.000}	70.00 ^{+0.00} / _{-0.12}	83.00 ^{+0.087} / _{+0.000}	31.68
MUUL-70X85X9	70	85	9	9.90 ^{+0.20} / _{+0.00}	70.00 ^{+0.000} / _{-0.074}	85.00 ^{+0.087} / _{+0.000}	70.00 ^{+0.00} / _{-0.12}	85.00 ^{+0.087} / _{+0.000}	34.72
MUUL-70X85X10	70	85	10	11.00 ^{+0.20} / _{+0.00}	70.00 ^{+0.000} / _{-0.074}	85.00 ^{+0.087} / _{+0.000}	70.00 ^{+0.00} / _{-0.12}	85.00 ^{+0.087} / _{+0.000}	38.34
MUUL-70X85X11.4	70	85	11.4	12.50 ^{+0.20} / _{+0.00}	70.00 ^{+0.000} / _{-0.074}	85.00 ^{+0.087} / _{+0.000}	70.00 ^{+0.00} / _{-0.12}	85.00 ^{+0.087} / _{+0.000}	27.20
MUUL-70X90X12	70	90	12	13.20 ^{+0.20} / _{+0.00}	70.00 ^{+0.000} / _{-0.074}	90.00 ^{+0.087} / _{+0.000}	70.00 ^{+0.00} / _{-0.12}	90.00 ^{+0.087} / _{+0.000}	45.10
MUUL-70X90X15	70	90	15	16.50 ^{+0.20} / _{+0.00}	70.00 ^{+0.000} / _{-0.074}	90.00 ^{+0.087} / _{+0.000}	70.00 ^{+0.00} / _{-0.12}	90.00 ^{+0.087} / _{+0.000}	26.70
MUUL-71X80X6	71	80	6	6.60 ^{+0.20} / _{+0.00}	71.00 ^{+0.000} / _{-0.074}	80.00 ^{+0.074} / _{+0.000}	71.00 ^{+0.00} / _{-0.12}	80.00 ^{+0.074} / _{+0.000}	24.30
MUUL-75X85X6	75	85	6	6.60 ^{+0.20} / _{+0.00}	75.00 ^{+0.000} / _{-0.074}	85.00 ^{+0.087} / _{+0.000}	75.00 ^{+0.00} / _{-0.12}	85.00 ^{+0.087} / _{+0.000}	29.64
MUUL-75X85X8	75	85	8	8.80 ^{+1.20} / _{+0.00}	75.00 ^{+0.000} / _{-0.074}	85.00 ^{+0.087} / _{+0.000}	75.00 ^{+0.00} / _{-0.12}	85.00 ^{+0.087} / _{+0.000}	16.30
MUUL-75X85X10	75	85	10	11.00 ^{+0.20} / _{+0.00}	75.00 ^{+0.000} / _{-0.074}	85.00 ^{+0.087} / _{+0.000}	75.00 ^{+0.00} / _{-0.12}	85.00 ^{+0.087} / _{+0.000}	16.30
MUUL-75X85X12	75	85	12	13.20 ^{+0.20} / _{+0.00}	75.00 ^{+0.000} / _{-0.074}	85.00 ^{+0.087} / _{+0.000}	75.00 ^{+0.00} / _{-0.12}	85.00 ^{+0.087} / _{+0.000}	38.87
MUUL-75X88X10	75	88	10	11.00 ^{+0.20} / _{+0.00}	75.00 ^{+0.000} / _{-0.074}	88.00 ^{+0.087} / _{+0.000}	75.00 ^{+0.00} / _{-0.12}	88.00 ^{+0.087} / _{+0.000}	29.97
MUUL-75X90X9	75	90	9	9.90 ^{+0.20} / _{+0.00}	75.00 ^{+0.000} / _{-0.074}	90.00 ^{+0.087} / _{+0.000}	75.00 ^{+0.00} / _{-0.12}	90.00 ^{+0.087} / _{+0.000}	40.65
MUUL-75X90X12	75	90	12	13.20 ^{+0.20} / _{+0.00}	75.00 ^{+0.000} / _{-0.074}	90.00 ^{+0.087} / _{+0.000}	75.00 ^{+0.00} / _{-0.12}	90.00 ^{+0.087} / _{+0.000}	19.06
MUUL-75X95X12	75	95	12	13.20 ^{+0.20} / _{+0.00}	75.00 ^{+0.000} / _{-0.074}	95.00 ^{+0.087} / _{+0.000}	75.00 ^{+0.00} / _{-0.12}	95.00 ^{+0.087} / _{+0.000}	47.48

STYLE MUUL LOADED SYMMETRICAL U-SEALS



Part Number	A Nom. ID	B Nom. OD	C Nom. Ht	D GROOVE WIDTH	E ROD DIAMETER	G HOUSING DIAMETER	H GROOVE DIAMETER	J BORE DIAMETER	List Price
MUUL-80X90X6	80	90	6	6.60 +0.20 +0.00	80.00 +0.000 -0.074	90.00 +0.087 +0.000	80.00 +0.00 -0.12	90.00 +0.087 +0.000	31.25
MUUL-80X90X8	80	90	8	8.80 +0.20 +0.00	80.00 +0.000 -0.074	90.00 +0.087 +0.000	80.00 +0.00 -0.12	90.00 +0.087 +0.000	31.98
MUUL-80X90X10	80	90	10	11.00 +0.20 +0.00	80.00 +0.000 -0.074	90.00 +0.087 +0.000	80.00 +0.00 -0.12	90.00 +0.087 +0.000	31.98
MUUL-80X90X12	80	90	12	13.20 +0.20 +0.00	80.00 +0.000 -0.074	90.00 +0.087 +0.000	80.00 +0.00 -0.12	90.00 +0.087 +0.000	17.39
MUUL-80X93X10	80	93	10	11.00 +0.20 +0.00	80.00 +0.000 -0.074	93.00 +0.087 +0.000	80.00 +0.00 -0.12	93.00 +0.087 +0.000	35.44
MUUL-80X95X9	80	95	9	9.90 +0.20 +0.00	80.00 +0.000 -0.074	95.00 +0.087 +0.000	80.00 +0.00 -0.12	95.00 +0.087 +0.000	37.44
MUUL-80X95X10	80	95	10	11.00 +0.20 +0.00	80.00 +0.000 -0.074	95.00 +0.087 +0.000	80.00 +0.00 -0.12	95.00 +0.087 +0.000	37.44
MUUL-80X95X11	80	95	11	12.10 +0.20 +0.00	80.00 +0.000 -0.074	95.00 +0.087 +0.000	80.00 +0.00 -0.12	95.00 +0.087 +0.000	37.44
MUUL-80X95X11.4	80	95	11.4	12.50 +0.20 +0.00	80.00 +0.000 -0.074	95.00 +0.087 +0.000	80.00 +0.00 -0.12	95.00 +0.087 +0.000	37.44
MUUL-80X100X12	80	100	12	13.20 +0.20 +0.00	80.00 +0.000 -0.074	100.00 +0.087 +0.000	80.00 +0.00 -0.12	100.00 +0.087 +0.000	45.96
MUUL-80X100X14.5	80	100	14.5	16.00 +0.20 +0.00	80.00 +0.000 -0.074	100.00 +0.087 +0.000	80.00 +0.00 -0.12	100.00 +0.087 +0.000	29.90
MUUL-85X95X6	85	95	6	6.60 +0.20 +0.00	85.00 +0.000 -0.087	95.00 +0.087 +0.000	85.00 +0.00 -0.14	95.00 +0.087 +0.000	21.29
MUUL-85X100X9	85	100	9	9.90 +0.20 +0.00	85.00 +0.000 -0.087	100.00 +0.087 +0.000	85.00 +0.00 -0.14	100.00 +0.087 +0.000	44.57
MUUL-85X100X10	85	100	10	11.00 +0.20 +0.00	85.00 +0.000 -0.087	100.00 +0.087 +0.000	85.00 +0.00 -0.14	100.00 +0.087 +0.000	39.65
MUUL-85X100X12.5	85	100	12.5	13.75 +0.20 +0.00	85.00 +0.000 -0.087	100.00 +0.087 +0.000	85.00 +0.00 -0.14	100.00 +0.087 +0.000	54.63
MUUL-85X105X12	85	105	12	13.20 +0.20 +0.00	85.00 +0.000 -0.087	105.00 +0.087 +0.000	85.00 +0.00 -0.14	105.00 +0.087 +0.000	54.63
MUUL-90X100X6	90	100	6	6.60 +0.20 +0.00	90.00 +0.000 -0.087	100.00 +0.087 +0.000	90.00 +0.00 -0.14	100.00 +0.087 +0.000	48.44
MUUL-90X105X9	90	105	9	9.90 +0.20 +0.00	90.00 +0.000 -0.087	105.00 +0.087 +0.000	90.00 +0.00 -0.14	105.00 +0.087 +0.000	49.36
MUUL-90X105X10	90	105	10	11.00 +0.20 +0.00	90.00 +0.000 -0.087	105.00 +0.087 +0.000	90.00 +0.00 -0.14	105.00 +0.087 +0.000	41.92
MUUL-90X105X12	90	105	12	13.20 +0.20 +0.00	90.00 +0.000 -0.087	105.00 +0.087 +0.000	90.00 +0.00 -0.14	105.00 +0.087 +0.000	22.79
MUUL-90X110X12	90	110	12	13.20 +0.20 +0.00	90.00 +0.000 -0.087	110.00 +0.087 +0.000	90.00 +0.00 -0.14	110.00 +0.087 +0.000	70.00
MUUL-95X110X10	95	110	10	11.00 +0.20 +0.00	95.00 +0.000 -0.087	110.00 +0.087 +0.000	95.00 +0.00 -0.14	110.00 +0.087 +0.000	46.15
MUUL-95X110X12	95	110	12	13.20 +0.20 +0.00	95.00 +0.000 -0.087	110.00 +0.087 +0.000	95.00 +0.00 -0.14	110.00 +0.087 +0.000	25.13
MUUL-95X115X12	95	115	12	13.20 +0.20 +0.00	95.00 +0.000 -0.087	115.00 +0.087 +0.000	95.00 +0.00 -0.14	115.00 +0.087 +0.000	70.00
MUUL-98X110X16	98	110	16	17.60 +0.20 +0.00	98.00 +0.000 -0.087	110.00 +0.087 +0.000	98.00 +0.00 -0.14	110.00 +0.087 +0.000	23.79
MUUL-100X115X9	100	115	9	9.90 +0.20 +0.00	100.00 +0.000 -0.087	115.00 +0.087 +0.000	100.00 +0.00 -0.14	115.00 +0.087 +0.000	55.34
MUUL-100X115X10	100	115	10	11.00 +0.20 +0.00	100.00 +0.000 -0.087	115.00 +0.087 +0.000	100.00 +0.00 -0.14	115.00 +0.087 +0.000	48.35
MUUL-100X115X12	100	115	12	13.20 +0.20 +0.00	100.00 +0.000 -0.087	115.00 +0.087 +0.000	100.00 +0.00 -0.14	115.00 +0.087 +0.000	48.35
MUUL-100X120X12	100	120	12	13.20 +0.20 +0.00	100.00 +0.000 -0.087	120.00 +0.087 +0.000	100.00 +0.00 -0.14	120.00 +0.087 +0.000	58.65
MUUL-100X120X14.5	100	120	14.5	16.00 +0.20 +0.00	100.00 +0.000 -0.087	120.00 +0.10 +0.00	100.00 +0.00 -0.14	120.00 +0.087 +0.000	36.20
MUUL-100X125X15	100	125	15	16.50 +0.20 +0.00	100.00 +0.000 -0.087	125.00 +0.10 +0.00	100.00 +0.00 -0.14	125.00 +0.10 +0.00	48.77
MUUL-105X120X9	105	120	9	9.90 +0.20 +0.00	105.00 +0.000 -0.087	120.00 +0.087 +0.000	105.00 +0.00 -0.14	120.00 +0.087 +0.000	59.02
MUUL-105X120X10	105	120	10	11.00 +0.20 +0.00	105.00 +0.000 -0.087	120.00 +0.087 +0.000	105.00 +0.00 -0.14	120.00 +0.087 +0.000	50.21

U-SEALS

STYLE MUUL LOADED SYMMETRICAL U-SEALS



U-SEALS

Part Number	A Nom. ID	B Nom. OD	C Nom. Ht	D GROOVE WIDTH	E ROD DIAMETER	G HOUSING DIAMETER	H GROOVE DIAMETER	J BORE DIAMETER	List Price
MUUL-105X125X11.4	105	125	11.4	12.50 +0.20 +0.00	105.00 +0.000 -0.087	125.00 +0.10 +0.00	105.00 +0.00 -0.14	125.00 +0.10 +0.00	37.60
MUUL-105X125X12	105	125	12	13.20 +0.20 +0.00	105.00 +0.000 -0.087	125.00 +0.10 +0.00	105.00 +0.00 -0.14	125.00 +0.10 +0.00	53.14
MUUL-105X125X15	105	125	15	16.50 +0.20 +0.00	105.00 +0.000 -0.087	125.00 +0.10 +0.00	105.00 +0.00 -0.14	125.00 +0.10 +0.00	59.02
MUUL-110X125X9	110	125	9	9.90 +0.20 +0.00	110.00 +0.000 -0.087	125.00 +0.10 +0.00	110.00 +0.00 -0.14	125.00 +0.10 +0.00	60.86
MUUL-110X125X10	110	125	10	11.00 +0.20 +0.00	110.00 +0.000 -0.087	125.00 +0.10 +0.00	110.00 +0.00 -0.14	125.00 +0.10 +0.00	53.23
MUUL-110X125X12	110	125	12	13.20 +0.20 +0.00	110.00 +0.000 -0.087	125.00 +0.10 +0.00	110.00 +0.00 -0.14	125.00 +0.10 +0.00	53.23
MUUL-110X130X10	110	130	10	11.00 +0.20 +0.00	110.00 +0.000 -0.087	130.00 +0.10 +0.00	110.00 +0.00 -0.14	130.00 +0.10 +0.00	71.60
MUUL-110X130X12	110	130	12	13.20 +0.20 +0.00	110.00 +0.000 -0.087	130.00 +0.10 +0.00	110.00 +0.00 -0.14	130.00 +0.10 +0.00	61.27
MUUL-110X130X14.5	110	130	14.5	16.00 +0.20 +0.00	110.00 +0.000 -0.087	130.00 +0.10 +0.00	110.00 +0.00 -0.14	130.00 +0.10 +0.00	60.08
MUUL-110X130X15	110	130	15	16.50 +0.20 +0.00	110.00 +0.000 -0.087	130.00 +0.10 +0.00	110.00 +0.00 -0.14	130.00 +0.10 +0.00	62.12
MUUL-110X135X18	110	135	18	19.80 +0.20 +0.00	110.00 +0.000 -0.087	135.00 +0.10 +0.00	110.00 +0.00 -0.14	135.00 +0.10 +0.00	53.66
MUUL-112X125X9	112	125	9	9.90 +0.20 +0.00	112.00 +0.000 -0.087	125.00 +0.10 +0.00	112.00 +0.00 -0.14	125.00 +0.10 +0.00	54.01
MUUL-115X130X9	115	130	9	9.90 +0.20 +0.00	115.00 +0.000 -0.087	130.00 +0.10 +0.00	115.00 +0.00 -0.14	130.00 +0.10 +0.00	55.68
MUUL-115X135X12	115	135	12	13.20 +0.20 +0.00	115.00 +0.000 -0.087	135.00 +0.10 +0.00	115.00 +0.00 -0.14	135.00 +0.10 +0.00	63.51
MUUL-118X133X9	118	133	9	9.90 +0.20 +0.00	118.00 +0.000 -0.087	133.00 +0.10 +0.00	118.00 +0.00 -0.14	133.00 +0.10 +0.00	30.95
MUUL-120X135X9	120	135	9	9.90 +0.20 +0.00	120.00 +0.00 -0.10	135.00 +0.10 +0.00	120.00 +0.00 -0.14	135.00 +0.10 +0.00	31.62
MUUL-120X135X15	120	135	15	16.50 +0.20 +0.00	120.00 +0.000 -0.087	135.00 +0.10 +0.00	120.00 +0.00 -0.14	135.00 +0.10 +0.00	31.62
MUUL-120X140X10	120	140	10	11.00 +0.20 +0.00	120.00 +0.000 -0.087	140.00 +0.10 +0.00	120.00 +0.00 -0.14	140.00 +0.10 +0.00	77.05
MUUL-120X140X12	120	140	12	13.20 +0.20 +0.00	120.00 +0.000 -0.087	140.00 +0.10 +0.00	120.00 +0.00 -0.14	140.00 +0.10 +0.00	79.37
MUUL-120X140X14.5	120	140	14.5	16.00 +0.20 +0.00	120.00 +0.000 -0.087	140.00 +0.10 +0.00	120.00 +0.00 -0.14	140.00 +0.10 +0.00	64.37
MUUL-120X140X15	120	140	15	16.50 +0.20 +0.00	120.00 +0.000 -0.087	140.00 +0.10 +0.00	120.00 +0.00 -0.14	140.00 +0.10 +0.00	66.51
MUUL-125X140X9	125	140	9	9.90 +0.20 +0.00	125.00 +0.00 -0.10	140.00 +0.10 +0.00	125.00 +0.00 -0.16	140.00 +0.10 +0.00	63.40
MUUL-125X145X15	125	145	15	16.50 +0.20 +0.00	125.00 +0.00 -0.10	145.00 +0.10 +0.00	125.00 +0.00 -0.16	145.00 +0.10 +0.00	69.87
MUUL-125X150X18	125	150	18	19.80 +0.20 +0.00	125.00 +0.00 -0.10	150.00 +0.10 +0.00	125.00 +0.00 -0.16	150.00 +0.10 +0.00	84.65
MUUL-130X150X12	130	150	12	13.20 +0.20 +0.00	130.00 +0.00 -0.10	150.00 +0.10 +0.00	130.00 +0.00 -0.16	150.00 +0.10 +0.00	63.97
MUUL-130X150X13	130	150	13	14.30 +0.20 +0.00	130.00 +0.00 -0.10	150.00 +0.10 +0.00	130.00 +0.00 -0.16	150.00 +0.10 +0.00	63.97
MUUL-130X150X15	130	150	15	16.50 +0.20 +0.00	130.00 +0.00 -0.10	150.00 +0.10 +0.00	130.00 +0.00 -0.16	150.00 +0.10 +0.00	63.97
MUUL-130X150X16	130	150	16	17.60 +0.20 +0.00	130.00 +0.00 -0.10	150.00 +0.10 +0.00	130.00 +0.00 -0.16	150.00 +0.10 +0.00	69.87
MUUL-135X150X9	135	150	9	9.90 +0.20 +0.00	135.00 +0.00 -0.10	150.00 +0.10 +0.00	135.00 +0.00 -0.16	150.00 +0.10 +0.00	52.53
MUUL-135X155X15	135	155	15	16.50 +0.20 +0.00	135.00 +0.00 -0.10	155.00 +0.10 +0.00	135.00 +0.00 -0.16	155.00 +0.10 +0.00	66.32
MUUL-136X150X9	136	150	9	9.90 +0.20 +0.00	136.00 +0.00 -0.10	150.00 +0.10 +0.00	136.00 +0.00 -0.16	150.00 +0.10 +0.00	52.82
MUUL-140X155X9	140	155	9	9.90 +0.20 +0.00	140.00 +0.00 -0.10	155.00 +0.10 +0.00	140.00 +0.00 -0.16	155.00 +0.10 +0.00	58.34
MUUL-140X160X12	140	160	12	13.20 +0.20 +0.00	140.00 +0.00 -0.10	160.00 +0.10 +0.00	140.00 +0.00 -0.16	160.00 +0.10 +0.00	87.53

STYLE MUUL LOADED SYMMETRICAL U-SEALS



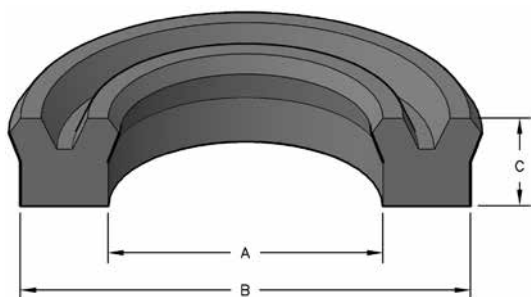
U-SEALS

Part Number	A Nom. ID	B Nom. OD	C Nom. Ht	D GROOVE WIDTH	E ROD DIAMETER	G HOUSING DIAMETER	H GROOVE DIAMETER	J BORE DIAMETER	List Price
MUUL-140X160X15	140	160	15	16.50 +0.20 +0.00	140.00 +0.00 -0.10	160.00 +0.10 +0.00	140.00 +0.00 -0.16	160.00 +0.10 +0.00	72.07
MUUL-140X165X18.2	140	165	18.2	20.00 +0.20 +0.00	140.00 +0.00 -0.10	165.00 +0.10 +0.00	140.00 +0.00 -0.16	165.00 +0.10 +0.00	87.65
MUUL-145X160X9	145	160	9	9.90 +0.20 +0.00	145.00 +0.00 -0.10	160.00 +0.10 +0.00	145.00 +0.00 -0.16	160.00 +0.10 +0.00	62.27
MUUL-150X160X8	150	160	8	8.80 +0.20 +0.00	150.00 +0.00 -0.10	160.00 +0.10 +0.00	150.00 +0.00 -0.16	160.00 +0.10 +0.00	50.66
MUUL-150X165X9	150	165	9	9.90 +0.20 +0.00	150.00 +0.00 -0.10	165.00 +0.10 +0.00	150.00 +0.00 -0.16	165.00 +0.10 +0.00	61.22
MUUL-150X170X15	150	170	15	16.50 +0.20 +0.00	150.00 +0.00 -0.10	170.00 +0.10 +0.00	150.00 +0.00 -0.16	170.00 +0.10 +0.00	103.94
MUUL-150X170X16	150	170	16	17.60 +0.20 +0.00	150.00 +0.00 -0.10	170.00 +0.10 +0.00	150.00 +0.00 -0.16	170.00 +0.10 +0.00	81.51
MUUL-150X180X18	150	180	18	19.80 +0.20 +0.00	150.00 +0.00 -0.10	180.00 +0.10 +0.00	150.00 +0.00 -0.16	180.00 +0.10 +0.00	108.40
MUUL-155X180X15	155	180	15	16.50 +0.20 +0.00	155.00 +0.00 -0.10	180.00 +0.115 +0.000	155.00 +0.00 -0.16	180.00 +0.10 +0.00	64.14
MUUL-155X180X16	155	180	16	17.60 +0.20 +0.00	155.00 +0.00 -0.10	180.00 +0.10 +0.00	155.00 +0.00 -0.16	180.00 +0.10 +0.00	90.71
MUUL-160X175X9	160	175	9	9.90 +0.20 +0.00	160.00 +0.00 -0.10	175.00 +0.10 +0.00	160.00 +0.00 -0.16	175.00 +0.10 +0.00	65.65
MUUL-160X180X15	160	180	15	16.50 +0.20 +0.00	160.00 +0.00 -0.10	180.00 +0.10 +0.00	160.00 +0.00 -0.16	180.00 +0.10 +0.00	77.79
MUUL-160X185X16	160	185	16	17.60 +0.20 +0.00	160.00 +0.00 -0.10	185.00 +0.115 +0.000	160.00 +0.00 -0.16	185.00 +0.115 +0.000	77.79
MUUL-165X180X9.5	165	180	9.5	10.50 +0.20 +0.00	165.00 +0.00 -0.10	180.00 +0.10 +0.00	165.00 +0.00 -0.16	180.00 +0.10 +0.00	75.67
MUUL-165X190X16	165	190	16	17.60 +0.20 +0.00	165.00 +0.00 -0.10	190.00 +0.115 +0.000	165.00 +0.00 -0.16	190.00 +0.115 +0.000	70.74
MUUL-170X190X15	170	190	15	16.50 +0.20 +0.00	170.00 +0.00 -0.10	190.00 +0.115 +0.000	170.00 +0.00 -0.16	190.00 +0.115 +0.000	79.32
MUUL-170X200X15	170	200	15	16.50 +0.20 +0.00	170.00 +0.00 -0.10	200.00 +0.115 +0.000	170.00 +0.00 -0.16	200.00 +0.115 +0.000	122.97
MUUL-175X200X15	175	200	15	16.50 +0.20 +0.00	175.00 +0.00 -0.10	200.00 +0.115 +0.000	175.00 +0.00 -0.16	200.00 +0.115 +0.000	102.41
MUUL-180X200X12.5	180	200	12.5	13.75 +0.20 +0.00	180.00 +0.00 -0.10	200.00 +0.115 +0.000	180.00 +0.00 -0.16	200.00 +0.115 +0.000	91.58
MUUL-180X205X16	180	205	16	17.60 +0.20 +0.00	180.00 +0.00 -0.10	205.00 +0.115 +0.000	180.00 +0.00 -0.16	205.00 +0.115 +0.000	105.66
MUUL-190X210X12	190	210	12	13.20 +0.20 +0.00	190.00 +0.000 -0.115	210.00 +0.115 +0.000	190.00 +0.000 -0.185	210.00 +0.115 +0.000	95.66
MUUL-190X215X16	190	215	16	17.60 +0.20 +0.00	190.00 +0.000 -0.115	215.00 +0.115 +0.000	190.00 +0.000 -0.185	215.00 +0.115 +0.000	111.58
MUUL-200X220X12.5	200	220	12.5	13.75 +0.20 +0.00	200.00 +0.000 -0.115	220.00 +0.115 +0.000	200.00 +0.000 -0.185	220.00 +0.115 +0.000	128.07
MUUL-200X220X15	200	220	15	16.50 +0.20 +0.00	200.00 +0.000 -0.115	220.00 +0.115 +0.000	200.00 +0.000 -0.185	220.00 +0.115 +0.000	210.66
MUUL-200X225X16	200	225	16	17.60 +0.20 +0.00	200.00 +0.000 -0.115	225.00 +0.115 +0.000	200.00 +0.000 -0.185	225.00 +0.115 +0.000	117.40
MUUL-200X225X18	200	225	18	19.80 +0.20 +0.00	200.00 +0.000 -0.115	225.00 +0.115 +0.000	200.00 +0.000 -0.185	225.00 +0.115 +0.000	167.75
MUUL-205X235X18	205	235	18	19.80 +0.20 +0.00	205.00 +0.000 -0.115	235.00 +0.115 +0.000	205.00 +0.000 -0.185	235.00 +0.115 +0.000	147.36
MUUL-230X250X12.5	230	250	12.5	13.75 +0.20 +0.00	230.00 +0.000 -0.115	250.00 +0.115 +0.000	230.00 +0.000 -0.185	250.00 +0.115 +0.000	93.14
MUUL-250X290X20	250	290	20	22.00 +0.20 +0.00	250.00 +0.00 -0.13	290.00 +0.13 +0.00	250.00 +0.000 -0.185	290.00 +0.13 +0.00	170.64
MUUL-270X300X19	270	300	19	20.80 +0.20 +0.00	270.00 +0.000 -0.115	300.00 +0.115 +0.000	270.00 +0.000 -0.185	300.00 +0.115 +0.000	202.03



STYLE MUSN SYMMETRICAL U-SEALS

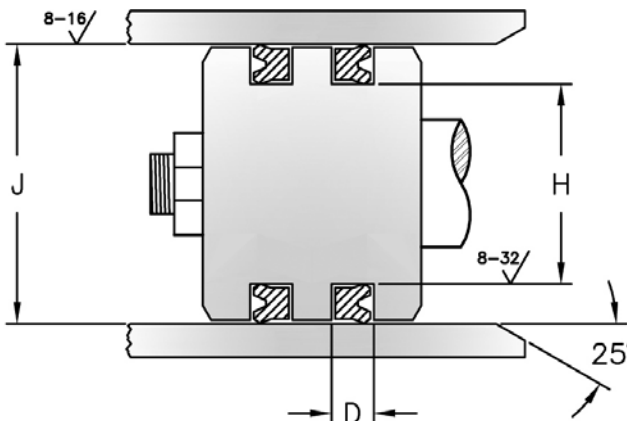
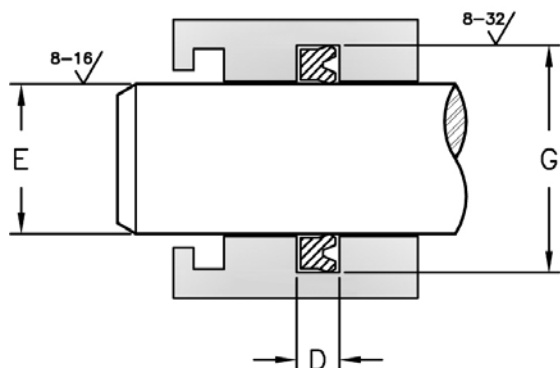
Molded from 90A nitrile, this seal provides high sealability in a symmetrical design suitable for rods or pistons.



HERCULES PART NUMBERS

MUSN - 6.3 X 16.3 X 8
 Style Prefix Inside Diameter Outside Diameter Height

SEAL INFORMATION	
MATERIAL	90A NITRILE
TEMPERATURE RANGE	-13° TO +212° F
PRESSURE RANGE	0 TO 2,000 PSI
SPEED	3 FT/SEC



U-SEALS

Part Number	A Nom. ID	B Nom. OD	C Nom. Ht	D GROOVE WIDTH	E ROD DIAMETER	G HOUSING DIAMETER	H GROOVE DIAMETER	J BORE DIAMETER	List Price
MUSN-6.3X16.3X8	6.3	16.3	8	9.00 ±0.20	6.30 ^{-0.013} / _{-0.035}	16.30 ^{+0.07} / _{+0.00}	6.30 ^{+0.000} / _{-0.058}	16.30 ^{+0.043} / _{+0.000}	\$7.26
MUSN-7.1X17.1X8	7.1	17.1	8	9.00 ±0.20	7.10 ^{-0.013} / _{-0.035}	17.10 ^{+0.07} / _{+0.00}	7.10 ^{+0.000} / _{-0.058}	17.10 ^{+0.043} / _{+0.000}	7.26
MUSN-8X18X8	8	18	8	9.00 ±0.20	8.00 ^{-0.013} / _{-0.035}	18.00 ^{+0.07} / _{+0.00}	8.00 ^{+0.000} / _{-0.058}	18.00 ^{+0.043} / _{+0.000}	7.26
MUSN-9X19X8	9	19	8	9.00 ±0.20	9.00 ^{-0.013} / _{-0.035}	19.00 ^{+0.084} / _{+0.000}	9.00 ^{+0.000} / _{-0.058}	19.00 ^{+0.052} / _{+0.000}	7.82
MUSN-10X20X8	10	20	8	9.00 ±0.20	10.00 ^{-0.013} / _{-0.035}	20.00 ^{+0.084} / _{+0.000}	10.00 ^{+0.000} / _{-0.058}	20.00 ^{+0.052} / _{+0.000}	7.82
MUSN-11.2X21.2X8	11.2	21.2	8	9.00 ±0.20	11.20 ^{-0.016} / _{-0.043}	21.20 ^{+0.084} / _{+0.000}	11.20 ^{+0.00} / _{-0.07}	21.20 ^{+0.052} / _{+0.000}	8.36
MUSN-12.5X22.5X8	12.5	22.5	8	9.00 ±0.20	12.50 ^{-0.016} / _{-0.043}	22.50 ^{+0.084} / _{+0.000}	12.50 ^{+0.00} / _{-0.07}	22.50 ^{+0.052} / _{+0.000}	8.36
MUSN-14X24X8	14	24	8	9.00 ±0.20	14.00 ^{-0.016} / _{-0.043}	24.00 ^{+0.084} / _{+0.000}	14.00 ^{+0.00} / _{-0.07}	24.00 ^{+0.052} / _{+0.000}	9.26
MUSN-15X25X8	15	25	8	9.00 ±0.20	15.00 ^{-0.016} / _{-0.043}	25.00 ^{+0.084} / _{+0.000}	15.00 ^{+0.00} / _{-0.07}	25.00 ^{+0.052} / _{+0.000}	9.26
MUSN-16X24X5	16	24	5	5.70 ±0.20	16.00 ^{-0.016} / _{-0.043}	24.00 ^{+0.00} / _{-0.20}	16.00 ^{+0.00} / _{-0.20}	24.00 ^{+0.052} / _{+0.000}	5.05
MUSN-16X26X8	16	26	8	9.00 ±0.20	16.00 ^{-0.016} / _{-0.043}	26.00 ^{+0.084} / _{+0.000}	16.00 ^{+0.00} / _{-0.07}	26.00 ^{+0.052} / _{+0.000}	9.81
MUSN-18X26X5	18	26	5	5.70 ±0.20	18.00 ^{-0.016} / _{-0.043}	26.00 ^{+0.00} / _{-0.20}	18.00 ^{+0.00} / _{-0.20}	26.00 ^{+0.052} / _{+0.000}	5.05
MUSN-18X28X8	18	28	8	9.00 ±0.20	18.00 ^{-0.016} / _{-0.043}	28.00 ^{+0.084} / _{+0.000}	18.00 ^{+0.00} / _{-0.07}	28.00 ^{+0.052} / _{+0.000}	10.35
MUSN-20X28X5	20	28	5	5.70 ±0.20	20.00 ^{-0.020} / _{-0.053}	28.00 ^{+0.00} / _{-0.20}	20.00 ^{+0.00} / _{-0.20}	28.00 ^{+0.052} / _{+0.000}	5.05

STYLE MUSN SYMMETRICAL U-SEALS



Part Number	A Nom. ID	B Nom. OD	C Nom. Ht	D GROOVE WIDTH	E ROD DIAMETER	G HOUSING DIAMETER	H GROOVE DIAMETER	J BORE DIAMETER	List Price
MUSN-20X30X8	20	30	8	9.00 ±0.20	20.00 ^{-0.020} _{-0.053}	30.00 ^{+0.084} _{+0.000}	20.00 ^{+0.000} _{-0.084}	30.00 ^{+0.052} _{+0.000}	11.40
MUSN-22X30X5	22	30	5	5.70 ±0.20	22.00 ^{-0.020} _{-0.053}	30.00 ^{+0.00} _{-0.20}	22.00 ^{+0.00} _{-0.20}	30.00 ^{+0.052} _{+0.000}	5.11
MUSN-22.4X30X5	22.4	30	5	5.70 ±0.20	22.40 ^{-0.020} _{-0.053}	30.00 ^{+0.00} _{-0.20}	22.40 ^{+0.00} _{-0.20}	30.00 ^{+0.052} _{+0.000}	5.05
MUSN-22.4X32.4X8	22.4	32.4	8	9.00 ±0.20	22.40 ^{-0.020} _{-0.053}	32.40 ^{+0.10} _{+0.00}	22.40 ^{+0.000} _{-0.084}	32.40 ^{+0.062} _{+0.000}	12.91
MUSN-23.5X31.5X5	23.5	31.5	5	5.70 ±0.20	23.50 ^{-0.020} _{-0.053}	31.50 ^{+0.00} _{-0.20}	23.50 ^{+0.00} _{-0.20}	31.50 ^{+0.062} _{+0.000}	5.05
MUSN-25X33X5	25	33	5	5.70 ±0.20	25.00 ^{-0.020} _{-0.053}	33.00 ^{+0.00} _{-0.20}	25.00 ^{+0.00} _{-0.20}	33.00 ^{+0.062} _{+0.000}	5.05
MUSN-25X35X8	25	35	8	9.00 ±0.20	25.00 ^{-0.020} _{-0.053}	35.00 ^{+0.10} _{+0.00}	25.00 ^{+0.000} _{-0.084}	35.00 ^{+0.062} _{+0.000}	13.96
MUSN-28X35.5X5	28	35.5	5	5.70 ±0.20	28.00 ^{-0.020} _{-0.053}	35.50 ^{+0.00} _{-0.20}	28.00 ^{+0.00} _{-0.20}	35.50 ^{+0.062} _{+0.000}	5.05
MUSN-28X43X10	28	43	10	11.00 ±0.20	28.00 ^{-0.020} _{-0.053}	43.00 ^{+0.10} _{+0.00}	28.00 ^{+0.000} _{-0.084}	43.00 ^{+0.062} _{+0.000}	16.55
MUSN-30X40X6	30	40	6	7.00 ±0.20	30.00 ^{-0.020} _{-0.053}	40.00 ^{+0.00} _{-0.20}	30.00 ^{+0.00} _{-0.20}	40.00 ^{+0.062} _{+0.000}	5.21
MUSN-30X45X10	30	45	10	11.00 ±0.20	30.00 ^{-0.020} _{-0.053}	45.00 ^{+0.10} _{+0.00}	30.00 ^{+0.000} _{-0.084}	45.00 ^{+0.062} _{+0.000}	17.06
MUSN-31.5X41.5X6	31.5	41.5	6	7.00 ±0.20	31.50 ^{-0.025} _{-0.064}	41.50 ^{+0.00} _{-0.20}	31.50 ^{+0.00} _{-0.20}	41.50 ^{+0.062} _{+0.000}	5.21
MUSN-31.5X44.5X10	31.5	44.5	10	11.00 ±0.20	31.50 ^{-0.025} _{-0.064}	44.50 ^{+0.10} _{+0.00}	31.50 ^{+0.00} _{-0.10}	44.50 ^{+0.062} _{+0.000}	17.61
MUSN-35X45X6	35	45	6	7.00 ±0.20	35.00 ^{-0.025} _{-0.064}	45.00 ^{+0.00} _{-0.20}	35.00 ^{+0.00} _{-0.20}	45.00 ^{+0.062} _{+0.000}	5.76
MUSN-35X50X10	35	50	10	11.00 ±0.20	35.00 ^{-0.025} _{-0.064}	50.00 ^{+0.10} _{+0.00}	35.00 ^{+0.00} _{-0.10}	50.00 ^{+0.062} _{+0.000}	18.53
MUSN-35.5X45X6	35.5	45	6	7.00 ±0.20	35.50 ^{-0.025} _{-0.064}	45.00 ^{+0.00} _{-0.20}	35.50 ^{+0.00} _{-0.20}	45.00 ^{+0.062} _{+0.000}	5.76
MUSN-35.5X50.5X10	35.5	50.5	10	11.00 ±0.20	35.50 ^{-0.025} _{-0.064}	50.50 ^{+0.12} _{+0.00}	35.50 ^{+0.00} _{-0.10}	50.50 ^{+0.074} _{+0.000}	20.88
MUSN-36X46X6	36	46	6	7.00 ±0.20	36.00 ^{-0.025} _{-0.064}	46.00 ^{+0.00} _{-0.20}	36.00 ^{+0.00} _{-0.20}	46.00 ^{+0.062} _{+0.000}	48.94
MUSN-40X50X6	40	50	6	7.00 ±0.20	40.00 ^{-0.025} _{-0.064}	50.00 ^{+0.00} _{-0.20}	40.00 ^{+0.00} _{-0.20}	50.00 ^{+0.062} _{+0.000}	6.00
MUSN-40X53X9	40	53	9	10.00 ±0.20	40.00 ^{-0.025} _{-0.064}	53.00 ^{+0.12} _{+0.00}	40.00 ^{+0.00} _{-0.10}	53.00 ^{+0.074} _{+0.000}	21.78
MUSN-40X55X10	40	55	10	11.00 ±0.20	40.00 ^{-0.025} _{-0.064}	55.00 ^{+0.12} _{+0.00}	40.00 ^{+0.00} _{-0.10}	55.00 ^{+0.074} _{+0.000}	22.96
MUSN-40X60X12	40	60	12	13.00 ±0.20	40.00 ^{-0.025} _{-0.064}	60.00 ^{+0.12} _{+0.00}	40.00 ^{+0.00} _{-0.10}	60.00 ^{+0.074} _{+0.000}	24.16
MUSN-45X55X6	45	55	6	7.00 ±0.20	45.00 ^{-0.025} _{-0.064}	55.00 ^{+0.00} _{-0.20}	45.00 ^{+0.00} _{-0.20}	55.00 ^{+0.074} _{+0.000}	6.75
MUSN-45X56X7	45	56	7	8.00 ±0.20	45.00 ^{-0.025} _{-0.064}	56.00 ^{+0.00} _{-0.20}	45.00 ^{+0.00} _{-0.20}	56.00 ^{+0.074} _{+0.000}	6.75
MUSN-45X60X10	45	60	10	11.00 ±0.20	45.00 ^{-0.025} _{-0.064}	60.00 ^{+0.12} _{+0.00}	45.00 ^{+0.00} _{-0.10}	60.00 ^{+0.074} _{+0.000}	23.49
MUSN-48X63X10	48	63	10	11.00 ±0.20	48.00 ^{-0.025} _{-0.064}	63.00 ^{+0.12} _{+0.00}	48.00 ^{+0.00} _{-0.10}	63.00 ^{+0.074} _{+0.000}	23.75
MUSN-50X60X6	50	60	6	7.00 ±0.20	50.00 ^{-0.025} _{-0.064}	60.00 ^{+0.00} _{-0.20}	50.00 ^{+0.00} _{-0.20}	60.00 ^{+0.074} _{+0.000}	7.15
MUSN-50X60X8	50	60	8	9.00 ±0.20	50.00 ^{-0.025} _{-0.064}	60.00 ^{+0.12} _{+0.00}	50.00 ^{+0.00} _{-0.10}	60.00 ^{+0.074} _{+0.000}	7.87
MUSN-50X65X10	50	65	10	11.00 ±0.20	50.00 ^{-0.025} _{-0.064}	65.00 ^{+0.12} _{+0.00}	50.00 ^{+0.00} _{-0.10}	65.00 ^{+0.074} _{+0.000}	24.83
MUSN-53X63X6	53	63	6	7.00 ±0.20	53.00 ^{-0.030} _{-0.076}	63.00 ^{+0.00} _{-0.20}	53.00 ^{+0.00} _{-0.20}	63.00 ^{+0.074} _{+0.000}	7.50
MUSN-54X70X12	54	70	12	13.00 ±0.20	54.00 ^{-0.030} _{-0.076}	70.00 ^{+0.00} _{-0.20}	54.00 ^{+0.00} _{-0.20}	70.00 ^{+0.074} _{+0.000}	37.14
MUSN-55X65X6	55	65	6	7.00 ±0.20	55.00 ^{-0.030} _{-0.076}	65.00 ^{+0.00} _{-0.20}	55.00 ^{+0.00} _{-0.20}	65.00 ^{+0.074} _{+0.000}	7.50
MUSN-55X75X12	55	75	12	13.00 ±0.20	55.00 ^{-0.030} _{-0.076}	75.00 ^{+0.12} _{+0.00}	55.00 ^{+0.00} _{-0.12}	75.00 ^{+0.074} _{+0.000}	26.87

U-SEALS



STYLE MUSN SYMMETRICAL U-SEALS

U-SEALS

Part Number	A Nom. ID	B Nom. OD	C Nom. Ht	D GROOVE WIDTH	E ROD DIAMETER	G HOUSING DIAMETER	H GROOVE DIAMETER	J BORE DIAMETER	List Price
MUSN-56X66X6	56	66	6	7.00 ±0.20	56.00 ^{-0.030} _{-0.076}	66.00 ^{+0.00} _{-0.20}	56.00 ^{+0.00} _{-0.20}	66.00 ^{+0.074} _{+0.000}	7.50
MUSN-60X70X6	60	70	6	7.00 ±0.20	60.00 ^{-0.030} _{-0.076}	70.00 ^{+0.00} _{-0.20}	60.00 ^{+0.00} _{-0.20}	70.00 ^{+0.074} _{+0.000}	8.10
MUSN-60X71X7	60	71	7	8.00 ±0.20	60.00 ^{-0.030} _{-0.076}	71.00 ^{+0.00} _{-0.20}	60.00 ^{+0.00} _{-0.20}	71.00 ^{+0.074} _{+0.000}	8.10
MUSN-60X80X12	60	80	12	13.00 ±0.20	60.00 ^{-0.030} _{-0.076}	80.00 ^{+0.12} _{+0.00}	60.00 ^{+0.00} _{-0.12}	80.00 ^{+0.074} _{+0.000}	31.04
MUSN-63X73X6	63	73	6	7.00 ±0.20	63.00 ^{-0.030} _{-0.076}	73.00 ^{+0.00} _{-0.20}	63.00 ^{+0.00} _{-0.20}	73.00 ^{+0.074} _{+0.000}	8.46
MUSN-63X83X12	63	83	12	13.00 ±0.20	63.00 ^{-0.030} _{-0.076}	83.00 ^{+0.14} _{+0.00}	63.00 ^{+0.00} _{-0.12}	83.00 ^{+0.087} _{+0.000}	33.08
MUSN-64X80X12	64	80	12	13.00 ±0.20	64.00 ^{-0.030} _{-0.076}	80.00 ^{+0.12} _{+0.00}	64.00 ^{+0.00} _{-0.12}	80.00 ^{+0.074} _{+0.000}	83.32
MUSN-65X75X6	65	75	6	7.00 ±0.20	65.00 ^{-0.030} _{-0.076}	75.00 ^{+0.00} _{-0.20}	65.00 ^{+0.00} _{-0.20}	75.00 ^{+0.074} _{+0.000}	8.46
MUSN-65X85X12	65	85	12	13.00 ±0.20	65.00 ^{-0.030} _{-0.076}	85.00 ^{+0.14} _{+0.00}	65.00 ^{+0.00} _{-0.12}	85.00 ^{+0.087} _{+0.000}	35.20
MUSN-67X77X6	67	77	6	7.00 ±0.20	67.00 ^{-0.030} _{-0.076}	77.00 ^{+0.00} _{-0.20}	67.00 ^{+0.00} _{-0.20}	77.00 ^{+0.074} _{+0.000}	8.46
MUSN-67X87X12	67	87	12	13.00 ±0.20	67.00 ^{-0.030} _{-0.076}	87.00 ^{+0.14} _{+0.00}	67.00 ^{+0.00} _{-0.12}	87.00 ^{+0.087} _{+0.000}	37.20
MUSN-70X80X6	70	80	6	7.00 ±0.20	70.00 ^{-0.030} _{-0.076}	80.00 ^{+0.00} _{-0.20}	70.00 ^{+0.00} _{-0.20}	80.00 ^{+0.074} _{+0.000}	9.19
MUSN-70X90X10	70	90	10	11.00 ^{+0.20} _{+0.00}	70.00 ^{-0.030} _{-0.076}	90.00 ^{+0.14} _{+0.00}	70.00 ^{+0.00} _{-0.12}	90.00 ^{+0.087} _{+0.000}	15.65
MUSN-70X90X12	70	90	12	13.00 ±0.20	70.00 ^{-0.030} _{-0.076}	90.00 ^{+0.14} _{+0.00}	70.00 ^{+0.00} _{-0.12}	90.00 ^{+0.087} _{+0.000}	38.28
MUSN-71X80X6	71	80	6	7.00 ±0.20	71.00 ^{-0.030} _{-0.076}	80.00 ^{+0.00} _{-0.20}	71.00 ^{+0.00} _{-0.20}	80.00 ^{+0.074} _{+0.000}	9.19
MUSN-71X91X12	71	91	12	13.00 ±0.20	71.00 ^{-0.030} _{-0.076}	91.00 ^{+0.14} _{+0.00}	71.00 ^{+0.00} _{-0.12}	91.00 ^{+0.087} _{+0.000}	39.21
MUSN-75X85X6	75	85	6	7.00 ±0.20	75.00 ^{-0.030} _{-0.076}	85.00 ^{+0.00} _{-0.20}	75.00 ^{+0.00} _{-0.20}	85.00 ^{+0.087} _{+0.000}	10.08
MUSN-75X95X10	75	95	10	11.00 ±0.20	75.00 ^{-0.030} _{-0.076}	95.00 ^{+0.14} _{+0.00}	75.00 ^{+0.00} _{-0.12}	95.00 ^{+0.087} _{+0.000}	10.43
MUSN-75X95X12	75	95	12	13.00 ±0.20	75.00 ^{-0.030} _{-0.076}	95.00 ^{+0.14} _{+0.00}	75.00 ^{+0.00} _{-0.12}	95.00 ^{+0.087} _{+0.000}	43.43
MUSN-80X90X6	80	90	6	7.00 ±0.20	80.00 ^{-0.030} _{-0.076}	90.00 ^{+0.00} _{-0.20}	80.00 ^{+0.00} _{-0.20}	90.00 ^{+0.087} _{+0.000}	10.70
MUSN-80X95X12	80	95	12	13.00 ±0.20	80.00 ^{-0.030} _{-0.076}	95.00 ^{+0.14} _{+0.00}	80.00 ^{+0.00} _{-0.12}	95.00 ^{+0.087} _{+0.000}	12.89
MUSN-80X100X12	80	100	12	13.00 ±0.20	80.00 ^{-0.030} _{-0.076}	100.00 ^{+0.14} _{+0.00}	80.00 ^{+0.00} _{-0.12}	100.00 ^{+0.087} _{+0.000}	51.72
MUSN-85X100X9	85	100	9	10.00 ±0.20	85.00 ^{-0.036} _{-0.090}	100.00 ^{+0.00} _{-0.20}	85.00 ^{+0.00} _{-0.20}	100.00 ^{+0.087} _{+0.000}	12.02
MUSN-85X105X12	85	105	12	13.00 ±0.20	85.00 ^{-0.036} _{-0.090}	105.00 ^{+0.14} _{+0.00}	85.00 ^{+0.00} _{-0.14}	105.00 ^{+0.087} _{+0.000}	57.89
MUSN-90X100X6	90	100	6	7.00 ^{+0.30} _{+0.00}	90.00 ^{-0.036} _{-0.090}	100.00 ^{+0.00} _{-0.20}	90.00 ^{+0.00} _{-0.14}	100.00 ^{+0.087} _{+0.000}	13.49
MUSN-90X105X9	90	105	9	10.00 ±0.20	90.00 ^{-0.036} _{-0.090}	105.00 ^{+0.00} _{-0.20}	90.00 ^{+0.00} _{-0.20}	105.00 ^{+0.087} _{+0.000}	13.24
MUSN-90X110X12	90	110	12	13.00 ±0.20	90.00 ^{-0.036} _{-0.090}	110.00 ^{+0.14} _{+0.00}	90.00 ^{+0.00} _{-0.14}	110.00 ^{+0.087} _{+0.000}	62.31
MUSN-95X110X9	95	110	9	10.00 ±0.20	95.00 ^{-0.036} _{-0.090}	110.00 ^{+0.00} _{-0.20}	95.00 ^{+0.00} _{-0.20}	110.00 ^{+0.087} _{+0.000}	13.81
MUSN-95X115X12	95	115	12	13.00 ±0.20	95.00 ^{-0.036} _{-0.090}	115.00 ^{+0.14} _{+0.00}	95.00 ^{+0.00} _{-0.14}	115.00 ^{+0.087} _{+0.000}	65.54
MUSN-98X112X9	98	112	9	10.00 ±0.20	98.00 ^{-0.036} _{-0.090}	112.00 ^{+0.14} _{+0.00}	98.00 ^{+0.00} _{-0.14}	112.00 ^{+0.087} _{+0.000}	15.06
MUSN-100X115X9	100	115	9	10.00 ±0.20	100.00 ^{-0.036} _{-0.090}	115.00 ^{+0.00} _{-0.20}	100.00 ^{+0.00} _{-0.20}	115.00 ^{+0.087} _{+0.000}	15.06
MUSN-100X120X12	100	120	12	13.00 ±0.20	100.00 ^{-0.036} _{-0.090}	120.00 ^{+0.14} _{+0.00}	100.00 ^{+0.00} _{-0.14}	120.00 ^{+0.087} _{+0.000}	67.19
MUSN-105X125X15	105	125	15	16.00 ±0.20	105.00 ^{-0.036} _{-0.090}	125.00 ^{+0.16} _{+0.00}	105.00 ^{+0.00} _{-0.14}	125.00 ^{+0.10} _{+0.00}	69.75

STYLE MUSN SYMMETRICAL U-SEALS



Part Number	A Nom. ID	B Nom. OD	C Nom. Ht	D GROOVE WIDTH	E ROD DIAMETER	G HOUSING DIAMETER	H GROOVE DIAMETER	J BORE DIAMETER	List Price
MUSN-106X120X8.5	106	120	8.5	9.50 ±0.20	106.00 ^{-0.036} _{-0.090}	120.00 ^{+0.00} _{-0.20}	106.00 ^{+0.00} _{-0.20}	120.00 ^{+0.087} _{+0.000}	38.85
MUSN-106X126X15	106	126	15	16.00 ±0.20	106.00 ^{-0.036} _{-0.090}	126.00 ^{+0.16} _{+0.00}	106.00 ^{+0.00} _{-0.14}	126.00 ^{+0.10} _{+0.00}	71.36
MUSN-110X130X15	110	130	15	16.00 ±0.20	110.00 ^{-0.036} _{-0.090}	130.00 ^{+0.16} _{+0.00}	110.00 ^{+0.00} _{-0.14}	130.00 ^{+0.10} _{+0.00}	76.46
MUSN-110X135X12	110	135	12	13.00 ±0.20	110.00 ^{-0.036} _{-0.090}	135.00 ^{+0.16} _{+0.00}	110.00 ^{+0.00} _{-0.14}	135.00 ^{+0.10} _{+0.00}	16.53
MUSN-112X125X9	112	125	9	10.00 ±0.20	112.00 ^{-0.036} _{-0.090}	125.00 ^{+0.00} _{-0.20}	112.00 ^{+0.00} _{-0.20}	125.00 ^{+0.10} _{+0.00}	17.06
MUSN-112X132X15	112	132	15	16.00 ±0.20	112.00 ^{-0.036} _{-0.090}	132.00 ^{+0.16} _{+0.00}	112.00 ^{+0.00} _{-0.14}	132.00 ^{+0.10} _{+0.00}	80.60
MUSN-115X130X9	115	130	9	10.00 ^{+0.30} _{+0.00}	115.00 ^{-0.036} _{-0.090}	130.00 ^{+0.00} _{-0.20}	115.00 ^{+0.00} _{-0.14}	130.00 ^{+0.10} _{+0.00}	70.22
MUSN-118X138X15	118	138	15	16.00 ±0.20	118.00 ^{-0.036} _{-0.090}	138.00 ^{+0.16} _{+0.00}	118.00 ^{+0.00} _{-0.14}	138.00 ^{+0.10} _{+0.00}	90.95
MUSN-120X140X10	120	140	10	11.00 ±0.20	120.00 ^{-0.036} _{-0.090}	140.00 ^{+0.16} _{+0.00}	120.00 ^{+0.00} _{-0.14}	140.00 ^{+0.10} _{+0.00}	46.88
MUSN-120X140X15	120	140	15	16.00 ±0.20	120.00 ^{-0.036} _{-0.090}	140.00 ^{+0.16} _{+0.00}	120.00 ^{+0.00} _{-0.14}	140.00 ^{+0.10} _{+0.00}	93.01
MUSN-125X140X9	125	140	9	10.00 ±0.20	125.00 ^{-0.043} _{-0.106}	140.00 ^{+0.00} _{-0.20}	125.00 ^{+0.00} _{-0.20}	140.00 ^{+0.10} _{+0.00}	21.01
MUSN-130X150X15	130	150	15	16.00 ±0.20	130.00 ^{-0.043} _{-0.106}	150.00 ^{+0.16} _{+0.00}	130.00 ^{+0.00} _{-0.16}	150.00 ^{+0.10} _{+0.00}	118.87
MUSN-136X150X9	136	150	9	10.00 ±0.20	136.00 ^{-0.043} _{-0.106}	150.00 ^{+0.16} _{+0.00}	136.00 ^{+0.00} _{-0.16}	150.00 ^{+0.10} _{+0.00}	24.18
MUSN-140X160X15	140	160	15	16.00 ±0.20	140.00 ^{-0.043} _{-0.106}	160.00 ^{+0.16} _{+0.00}	140.00 ^{+0.00} _{-0.16}	160.00 ^{+0.10} _{+0.00}	135.40
MUSN-145X160X9	145	160	9	10.00 ±0.20	145.00 ^{-0.043} _{-0.106}	160.00 ^{+0.00} _{-0.20}	145.00 ^{+0.00} _{-0.20}	160.00 ^{+0.10} _{+0.00}	26.70
MUSN-150X165X9	150	165	9	10.00 ±0.20	150.00 ^{-0.043} _{-0.106}	165.00 ^{+0.00} _{-0.20}	150.00 ^{+0.00} _{-0.20}	165.00 ^{+0.10} _{+0.00}	27.73
MUSN-160X175X9	160	175	9	10.00 ±0.20	160.00 ^{-0.043} _{-0.106}	175.00 ^{+0.00} _{-0.20}	160.00 ^{+0.00} _{-0.20}	175.00 ^{+0.10} _{+0.00}	31.91
MUSN-165X180X9	165	180	9	10.00 ±0.20	165.00 ^{-0.043} _{-0.106}	180.00 ^{+0.00} _{-0.20}	165.00 ^{+0.00} _{-0.20}	180.00 ^{+0.10} _{+0.00}	33.58
MUSN-180X200X12	180	200	12	13.00 ±0.20	180.00 ^{-0.043} _{-0.106}	200.00 ^{+0.00} _{-0.20}	180.00 ^{+0.00} _{-0.20}	200.00 ^{+0.115} _{+0.000}	37.91
MUSN-200X220X12	200	220	12	13.00 ±0.20	200.00 ^{-0.050} _{-0.122}	220.00 ^{+0.00} _{-0.20}	200.00 ^{+0.00} _{-0.20}	220.00 ^{+0.115} _{+0.000}	44.79
MUSN-204X224X12	204	224	12	13.00 ±0.20	204.00 ^{-0.050} _{-0.122}	224.00 ^{+0.00} _{-0.20}	204.00 ^{+0.00} _{-0.20}	224.00 ^{+0.115} _{+0.000}	48.21
MUSN-230X250X12	230	250	12	13.00 ±0.20	230.00 ^{-0.050} _{-0.122}	250.00 ^{+0.00} _{-0.20}	230.00 ^{+0.00} _{-0.20}	250.00 ^{+0.115} _{+0.000}	54.40

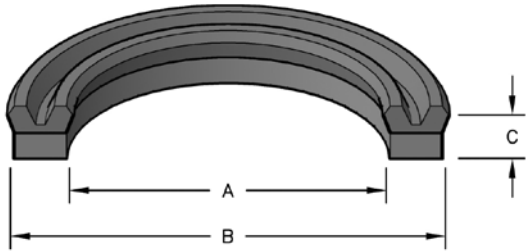
U-SEALS

Seal color may vary. Special order sizes are available. Sizes not shown and out of stock items can also be ordered for next day delivery through Seals On Demand, our custom seal program. Please call your regional sales team for assistance.



STYLE MUFN-U SYMMETRICAL U-SEALS

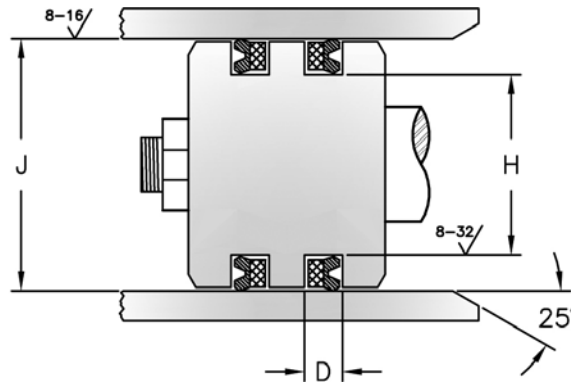
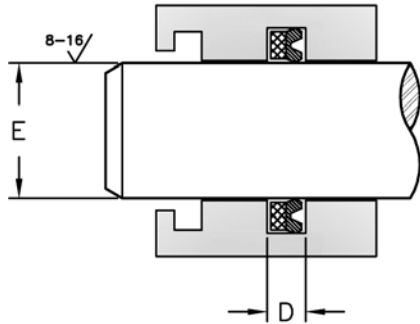
Incorporating a rubber U-cup shape and a rubberized fabric heel, this seal provides excellent sealability and high strength. The 'U' shape design decreases the radial interference for lower lip friction.



HERCULES PART NUMBERS

MUFN - 56 X 71 X 9.5
 Style Prefix Inside Diameter Outside Diameter Height

SEAL INFORMATION	
MATERIAL	NITRILE / FABRIC BASE
TEMPERATURE RANGE	-22° TO +212° F
PRESSURE RANGE	0 TO 2,900 PSI
SPEED	1.5 FT/SEC



U-SEALS

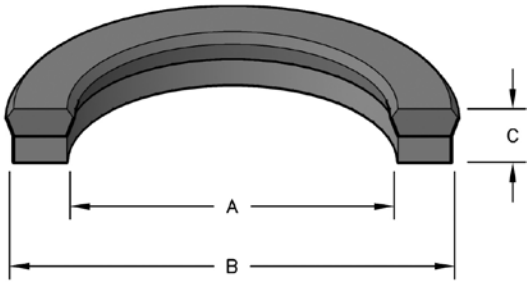
Part Number	A Nom. ID	B Nom. OD	C Nom. Ht	D GROOVE WIDTH	E ROD DIAMETER	G HOUSING DIAMETER	H GROOVE DIAMETER	J BORE DIAMETER	List Price
MUFN-56X71X9.5U	56	71	9.5	9.50 +0.60 +0.40	56.00 -0.03 -0.07	71.00 +0.10 -0.09	56.00 +0.10 -0.09	71.00 +0.12 +0.00	\$ 18.06
MUFN-63X78X9.5U	63	78	9.5	9.50 +0.60 +0.40	63.00 +29.97 -0.07	78.00 +0.10 -0.09	63.00 +0.10 -0.09	78.00 +0.12 +0.00	19.94

Seal color may vary. Special order sizes are available.

STYLE MUFN-P SYMMETRICAL SEALS



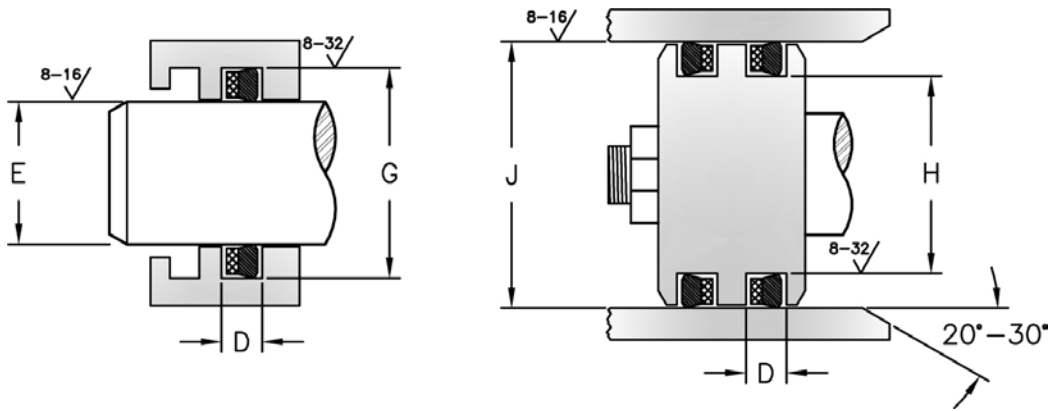
Incorporating a rubber seal lip and a rubberized fabric heel, this seal provides excellent sealability and high strength.



HERCULES PART NUMBERS

MUFN - 12 X 19 X 6
 Style Prefix Inside Diameter Outside Diameter Height

SEAL INFORMATION	
MATERIAL	NITRILE / FABRIC BASE
TEMPERATURE RANGE	-22° TO +212° F
PRESSURE RANGE	0 TO 2,900
SPEED	1.5 FT/SEC



Part Number	A Nom. ID	B Nom. OD	C Nom. Ht	D GROOVE WIDTH	E ROD DIAMETER	G HOUSING DIAMETER	H GROOVE DIAMETER	J BORE DIAMETER	List Price
MUFN-12X19X6P	12	19	6	6.00 +0.60 +0.40	12.00 +0.000 -0.043	19.00 +0.13 +0.00	12.00 -0.016 -0.043	19.00 +0.052 +0.000	\$14.32
MUFN-12X20X6.3P	12	20	6.3	6.30 +0.60 +0.40	12.00 +0.000 -0.043	20.00 +0.13 +0.00	12.00 -0.016 -0.043	20.00 +0.052 +0.000	10.85
MUFN-14X22X6P	14	22	6	6.00 +0.60 +0.40	14.00 +0.000 -0.043	22.00 +0.13 +0.00	14.00 -0.016 -0.043	22.00 +0.052 +0.000	12.18
MUFN-15X23X5.8P	15	23	5.8	5.80 +0.60 +0.40	15.00 +0.000 -0.043	23.00 +0.13 +0.00	15.00 -0.016 -0.043	23.00 +0.052 +0.000	10.85
MUFN-16X24X6P	16	24	6	6.00 +0.60 +0.40	16.00 +0.000 -0.043	24.00 +0.13 +0.00	16.00 -0.016 -0.043	24.00 +0.052 +0.000	8.47
MUFN-18X24X5P	18	24	5	5.00 +0.60 +0.40	18.00 +0.000 -0.043	24.00 +0.13 +0.00	18.00 -0.016 -0.043	24.00 +0.052 +0.000	11.92
MUFN-18X26X6P	18	26	6	6.00 +0.60 +0.40	18.00 +0.000 -0.043	26.00 +0.13 +0.00	18.00 -0.016 -0.043	26.00 +0.052 +0.000	10.18
MUFN-18X28X5.8P	18	28	5.8	5.80 +0.60 +0.40	18.00 +0.000 -0.043	28.00 +0.13 +0.00	18.00 -0.016 -0.043	28.00 +0.052 +0.000	11.92
MUFN-20X26X5P	20	26	5	5.00 +0.60 +0.40	20.00 +0.000 -0.052	26.00 +0.13 +0.00	20.00 -0.020 -0.053	26.00 +0.052 +0.000	7.80
MUFN-20X28X5.8P	20	28	5.8	5.80 +0.60 +0.40	20.00 +0.000 -0.052	28.00 +0.13 +0.00	20.00 -0.020 -0.053	28.00 +0.052 +0.000	9.09
MUFN-20X28X6.5P	20	28	6.5	6.50 +0.60 +0.40	20.00 +0.000 -0.052	28.00 +0.13 +0.00	20.00 -0.020 -0.053	28.00 +0.052 +0.000	10.18
MUFN-20X30X8P	20	30	8	8.00 +0.60 +0.40	20.00 +0.000 -0.052	30.00 +0.13 +0.00	20.00 -0.020 -0.053	30.00 +0.052 +0.000	9.54
MUFN-22X30X6.5P	22	30	6.5	6.50 +0.60 +0.40	22.00 +0.000 -0.052	30.00 +0.13 +0.00	22.00 -0.020 -0.053	30.00 +0.052 +0.000	8.89
MUFN-22X30X7P	22	30	7	7.00 +0.60 +0.40	22.00 +0.000 -0.052	30.00 +0.13 +0.00	22.00 -0.020 -0.053	30.00 +0.052 +0.000	11.72
MUFN-25X32X6P	25	32	6	6.00 +0.60 +0.40	25.00 +0.000 -0.052	32.00 +0.16 +0.00	25.00 -0.020 -0.053	32.00 +0.062 +0.000	12.58

FORMERLY LISTED REPAIR PARTS ARE AVAILABLE ONLINE AT WWW.HERCULESUS.COM
 OR BY CONTACTING YOUR REGIONAL HERCULES SALES TEAM.

STYLE MUFN-P SYMMETRICAL SEALS

U-SEALS

Part Number	A Nom. ID	B Nom. OD	C Nom. Ht	D GROOVE WIDTH	E ROD DIAMETER	G HOUSING DIAMETER	H GROOVE DIAMETER	J BORE DIAMETER	List Price
MUFN-25X33X6P	25	33	6	6.00 +0.60 +0.40	25.00 +0.000 -0.052	33.00 +0.16 +0.00	25.00 -0.020 -0.053	33.00 +0.062 +0.000	9.97
MUFN-25X35X8P	25	35	8	8.00 +0.60 +0.40	25.00 +0.000 -0.052	35.00 +0.16 +0.00	25.00 -0.020 -0.053	35.00 +0.062 +0.000	11.05
MUFN-28X36X6P	28	36	6	6.00 +0.60 +0.40	28.00 +0.000 -0.052	36.00 +0.16 +0.00	28.00 -0.020 -0.053	36.00 +0.062 +0.000	9.54
MUFN-30X38X6P	30	38	6	6.00 +0.60 +0.40	30.00 +0.000 -0.052	38.00 +0.16 +0.00	30.00 -0.020 -0.053	38.00 +0.062 +0.000	8.67
MUFN-30X38X7P	30	38	7	7.00 +0.60 +0.40	30.00 +0.000 -0.052	38.00 +0.16 +0.00	30.00 -0.020 -0.053	38.00 +0.062 +0.000	13.19
MUFN-30X40X7P	30	40	7	7.00 +0.60 +0.40	30.00 +0.000 -0.052	40.00 +0.16 +0.00	30.00 -0.020 -0.053	40.00 +0.062 +0.000	8.67
MUFN-32X40X6P	32	40	6	6.00 +0.60 +0.40	32.00 +0.000 -0.062	40.00 +0.16 +0.00	32.00 -0.025 -0.064	40.00 +0.062 +0.000	11.05
MUFN-35X43X6P	35	43	6	6.00 +0.60 +0.40	35.00 +0.000 -0.062	43.00 +0.16 +0.00	35.00 -0.025 -0.064	43.00 +0.062 +0.000	11.51
MUFN-35X45X7.5P	35	45	7.5	7.50 +0.60 +0.40	35.00 +0.000 -0.062	45.00 +0.16 +0.00	35.00 -0.025 -0.064	45.00 +0.062 +0.000	9.97
MUFN-35X50X10.5P	35	50	10.5	10.50 +0.60 +0.40	35.00 +0.000 -0.062	50.00 +0.16 +0.00	35.00 -0.025 -0.064	50.00 +0.062 +0.000	13.64
MUFN-36X44X5.8P	36	44	5.8	5.80 +0.60 +0.40	36.00 +0.000 -0.062	44.00 +0.16 +0.00	36.00 -0.025 -0.064	44.00 +0.062 +0.000	9.33
MUFN-36X44X6P	36	44	6	6.00 +0.60 +0.40	36.00 +0.000 -0.062	44.00 +0.16 +0.00	36.00 -0.025 -0.064	44.00 +0.062 +0.000	9.97
MUFN-36X44X8P	36	44	8	8.00 +0.60 +0.40	36.00 +0.000 -0.062	44.00 +0.16 +0.00	36.00 -0.025 -0.064	44.00 +0.062 +0.000	12.98
MUFN-36X46X7.5P	36	46	7.5	7.50 +0.60 +0.40	36.00 +0.000 -0.062	46.00 +0.16 +0.00	36.00 -0.025 -0.064	46.00 +0.062 +0.000	12.98
MUFN-36X48X9P	36	48	9	9.00 +0.60 +0.40	36.00 +0.000 -0.062	48.00 +0.16 +0.00	36.00 -0.025 -0.064	48.00 +0.062 +0.000	34.63
MUFN-36X51X11P	36	51	11	11.00 +0.60 +0.40	36.00 +0.000 -0.062	51.00 +0.19 +0.00	36.00 -0.025 -0.064	51.00 +0.074 +0.000	13.19
MUFN-38X50X9P	38	50	9	9.00 +0.60 +0.40	38.00 +0.000 -0.062	50.00 +0.16 +0.00	38.00 -0.025 -0.064	50.00 +0.062 +0.000	15.19
MUFN-40X48X6P	40	48	6	6.00 +0.60 +0.40	40.00 +0.000 -0.062	48.00 +0.16 +0.00	40.00 -0.025 -0.064	48.00 +0.062 +0.000	11.27
MUFN-40X48X8P	40	48	8	8.00 +0.60 +0.40	40.00 +0.000 -0.062	48.00 +0.16 +0.00	40.00 -0.025 -0.064	48.00 +0.062 +0.000	14.32
MUFN-40X50X7P	40	50	7	7.00 +0.60 +0.40	40.00 +0.000 -0.062	50.00 +0.16 +0.00	40.00 -0.025 -0.064	50.00 +0.062 +0.000	10.43
MUFN-40X50X10P	40	50	10	10.00 +0.60 +0.40	40.00 +0.000 -0.062	50.00 +0.16 +0.00	40.00 -0.025 -0.064	50.00 +0.062 +0.000	11.51
MUFN-40X50X10.5P	40	50	10.5	10.50 +0.60 +0.40	40.00 +0.000 -0.062	50.00 +0.16 +0.00	40.00 -0.025 -0.064	50.00 +0.062 +0.000	11.51
MUFN-40X55X11P	40	55	11	11.00 +0.60 +0.40	40.00 +0.000 -0.062	55.00 +0.19 +0.00	40.00 -0.025 -0.064	55.00 +0.074 +0.000	14.75
MUFN-40X60X14P	40	60	14	14.00 +0.60 +0.40	40.00 +0.000 -0.062	60.00 +0.19 +0.00	40.00 -0.025 -0.064	60.00 +0.074 +0.000	14.48
MUFN-42X50X6P	42	50	6	6.00 +0.60 +0.40	42.00 +0.000 -0.062	50.00 +0.16 +0.00	42.00 -0.025 -0.064	50.00 +0.062 +0.000	16.70
MUFN-45X55X7.5P	45	55	7.5	7.50 +0.60 +0.40	45.00 +0.000 -0.062	55.00 +0.19 +0.00	45.00 -0.025 -0.064	55.00 +0.074 +0.000	12.82
MUFN-45X55X10P	45	55	10	10.00 +0.60 +0.40	45.00 +0.000 -0.062	55.00 +0.19 +0.00	45.00 -0.025 -0.064	55.00 +0.074 +0.000	12.85
MUFN-45X60X10P	45	60	10	10.00 +0.60 +0.40	45.00 +0.000 -0.062	60.00 +0.19 +0.00	45.00 -0.025 -0.064	60.00 +0.074 +0.000	15.38
MUFN-50X58X8P	50	58	8	8.00 +0.60 +0.40	50.00 +0.000 -0.062	58.00 +0.19 +0.00	50.00 -0.025 -0.064	58.00 +0.074 +0.000	13.48
MUFN-50X60X7.5P	50	60	7.5	7.50 +0.60 +0.40	50.00 +0.000 -0.062	60.00 +0.19 +0.00	50.00 -0.025 -0.064	60.00 +0.074 +0.000	12.98
MUFN-50X65X10.5P	50	65	10.5	10.50 +0.60 +0.40	50.00 +0.000 -0.062	65.00 +0.19 +0.00	50.00 -0.025 -0.064	65.00 +0.074 +0.000	18.21
MUFN-50X70X14P	50	70	14	14.00 +0.60 +0.40	50.00 +0.000 -0.062	70.00 +0.19 +0.00	50.00 -0.025 -0.064	70.00 +0.074 +0.000	17.79
MUFN-55X65X7.5P	55	65	7.5	7.50 +0.60 +0.40	55.00 +0.000 -0.074	65.00 +0.19 +0.00	55.00 -0.030 -0.076	65.00 +0.074 +0.000	17.79

STYLE MUFN-P SYMMETRICAL SEALS

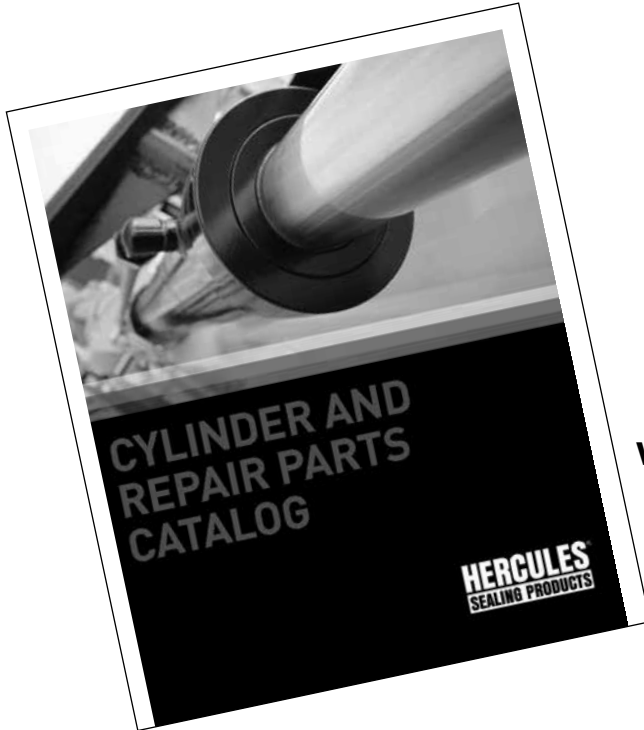


Part Number	A Nom. ID	B Nom. OD	C Nom. Ht	D GROOVE WIDTH	E ROD DIAMETER	G HOUSING DIAMETER	H GROOVE DIAMETER	J BORE DIAMETER	List Price
MUFN-56X66X7.5P	56	66	7.5	7.50 +0.60 +0.40	56.00 +0.000 -0.074	66.00 +0.19 +0.00	56.00 -0.030 -0.076	66.00 +0.074 +0.000	18.21
MUFN-56X76X14P	56	76	14	14.00 +0.60 +0.40	56.00 +0.000 -0.074	76.00 +0.19 +0.00	56.00 -0.030 -0.076	76.00 +0.074 +0.000	21.24
MUFN-60X70X7.2P	60	70	7.2	7.20 +0.60 +0.40	60.00 +0.000 -0.074	70.00 +0.19 +0.00	60.00 -0.030 -0.076	70.00 +0.074 +0.000	11.54
MUFN-60X70X7.5P	60	70	7.5	7.50 +0.60 +0.40	60.00 +0.000 -0.074	70.00 +0.19 +0.00	60.00 -0.030 -0.076	70.00 +0.074 +0.000	17.14
MUFN-60X72X9.5P	60	72	9.5	9.50 +0.60 +0.40	60.00 +0.000 -0.074	72.00 +0.19 +0.00	60.00 -0.030 -0.076	72.00 +0.074 +0.000	19.94
MUFN-60X80X14P	60	80	14	14.00 +0.60 +0.40	60.00 +0.000 -0.074	80.00 +0.19 +0.00	60.00 -0.030 -0.076	80.00 +0.074 +0.000	19.77
MUFN-63X75X9P	63	75	9	9.00 +0.60 +0.40	63.00 +0.000 -0.074	75.00 +0.19 +0.00	63.00 -0.030 -0.076	75.00 +0.074 +0.000	19.77
MUFN-65X77X9P	65	77	9	9.00 +0.60 +0.40	65.00 +0.000 -0.074	77.00 +0.19 +0.00	65.00 -0.030 -0.076	77.00 +0.074 +0.000	20.40
MUFN-70X78X6P	70	78	6	6.00 +0.60 +0.40	70.00 +0.000 -0.074	78.00 +0.19 +0.00	70.00 -0.030 -0.076	78.00 +0.074 +0.000	80.84
MUFN-70X80X7.5P	70	80	7.5	7.50 +0.60 +0.40	70.00 +0.000 -0.074	80.00 +0.19 +0.00	70.00 -0.030 -0.076	80.00 +0.074 +0.000	19.77
MUFN-70X82X9P	70	82	9	9.00 +0.60 +0.40	70.00 +0.000 -0.074	82.00 +0.22 +0.00	70.00 -0.030 -0.076	82.00 +0.087 +0.000	21.67
MUFN-70X84X12P	70	84	12	12.00 +0.60 +0.40	70.00 +0.000 -0.074	84.00 +0.22 +0.00	70.00 -0.030 -0.076	84.00 +0.087 +0.000	21.85
MUFN-70X85X12P	70	85	12	12.00 +0.60 +0.40	70.00 +0.000 -0.074	85.00 +0.22 +0.00	70.00 -0.030 -0.076	85.00 +0.087 +0.000	22.88
MUFN-70X90X14P	70	90	14	14.00 +0.60 +0.40	70.00 +0.000 -0.074	90.00 +0.22 +0.00	70.00 -0.030 -0.076	90.00 +0.087 +0.000	22.12
MUFN-80X92X8.6P	80	92	8.6	8.60 +0.60 +0.40	80.00 +0.000 -0.074	92.00 +0.22 +0.00	80.00 -0.030 -0.076	92.00 +0.087 +0.000	22.52
MUFN-80X92X9P	80	92	9	9.00 +0.60 +0.40	80.00 +0.000 -0.074	92.00 +0.22 +0.00	80.00 -0.030 -0.076	92.00 +0.087 +0.000	26.03
MUFN-80X100X14P	80	100	14	14.00 +0.60 +0.40	80.00 +0.000 -0.074	100.00 +0.22 +0.00	80.00 -0.030 -0.076	100.00 +0.087 +0.000	26.46
MUFN-85X100X12P	85	100	12	12.00 +0.60 +0.40	85.00 +0.000 -0.087	100.00 +0.22 +0.00	85.00 -0.036 -0.090	100.00 +0.087 +0.000	30.37
MUFN-90X102X9P	90	102	9	9.00 +0.60 +0.40	90.00 +0.000 -0.087	102.00 +0.22 +0.00	90.00 -0.036 -0.090	102.00 +0.087 +0.000	31.02
MUFN-90X105X12P	90	105	12	12.00 +0.60 +0.40	90.00 +0.000 -0.087	105.00 +0.22 +0.00	90.00 -0.036 -0.090	105.00 +0.087 +0.000	27.78
MUFN-100X115X12P	100	115	12	12.00 +0.60 +0.40	100.00 +0.000 -0.087	115.00 +0.22 +0.00	100.00 -0.036 -0.090	115.00 +0.087 +0.000	30.15
MUFN-100X120X14P	100	120	14	14.00 +0.60 +0.40	100.00 +0.000 -0.087	120.00 +0.22 +0.00	100.00 -0.036 -0.090	120.00 +0.087 +0.000	30.79
MUFN-110X125X11P	110	125	11	11.00 +0.60 +0.40	110.00 +0.000 -0.087	125.00 +0.25 +0.00	110.00 -0.036 -0.090	125.00 +0.10 +0.00	34.27
MUFN-110X125X11	110	125	11.7	12.00 +0.20 +0.00	110.00 +0.000 -0.087	125.00 +0.25 +0.00	110.00 -0.036 -0.090	125.00 +0.10 +0.00	16.73
MUFN-120X132.7X9.5P	120	132.7	9.5	9.50 +0.60 +0.40	120.00 +0.000 -0.087	132.70 +0.25 +0.00	120.00 -0.036 -0.090	132.70 +0.10 +0.00	74.11

U-SEALS

2025 CYLINDER CATALOG AVAILABLE

U-SEALS



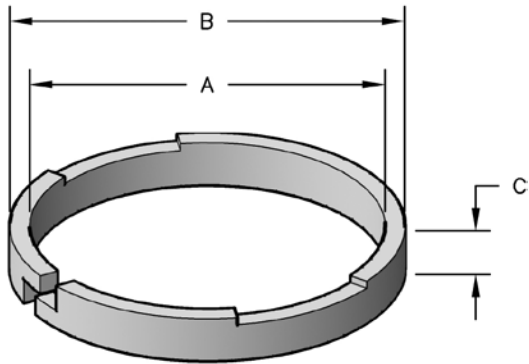
The 2025
Cylinder Catalog
Now Available!

Order Online -
www.HerculesUS.com

Scan Here to Order
Your Catalog Now!



STYLE MRT CUSHION SEALS



HERCULES PART NUMBERS

MRT - 30B
 Style Prefix Outside Diameter

SEAL INFORMATION	
MATERIAL	NYLON OR REINFORCED PHENOLIC
TEMPERATURE RANGE	N = -67° TO +212° F P = -67° TO +248° F
PRESSURE RANGE	0 TO 5,000 PSI

Part Number	A Nom. ID	B Nom. OD	C Nom. Ht	INSIDE DIAMETER	OUTSIDE DIAMETER	C HEIGHT	CROSS SECTION	SPLIT TYPE	MATERIAL	List Price
MRT-22	17.8	22	3.5	19.40	23.60	3.50 ^{-0.01} / _{-0.15}	2.10 ^{-0.01} / _{-0.07}	BUTTCUT	NYLON	\$11.55
MRT-30B	25	30	5	24.80	30.00	5.00 ^{+0.00} / _{-0.13}	2.60 ^{-0.01} / _{-0.07}	BUTTCUT	POM	40.59
MRT-30A	26	30	5	25.80	30.00	4.95 ^{+0.00} / _{-0.13}	2.10 ^{-0.01} / _{-0.07}	BUTTCUT	PHENOLIC	38.69
MRT-38B	32	38	6	31.76	38.00	6.00 ^{+0.00} / _{-0.13}	3.12 ^{-0.01} / _{-0.07}	BUTTCUT	NYLON	39.91
MRT-38C	32	38	6	31.76	38.00	6.00 ^{+0.00} / _{-0.13}	3.12 ^{-0.01} / _{-0.07}	BUTTCUT	PHENOLIC	39.91
MRT-39	32.7	38.9	5.25	32.70	38.90	5.25 ^{+0.00} / _{-0.13}	3.10 ^{-0.01} / _{-0.07}	BUTTCUT	NYLON	7.04
MRT-38	33	38	6	33.00	38.00	6.00 ^{+0.00} / _{-0.13}	2.50 ^{-0.01} / _{-0.07}	BUTTCUT	NYLON	38.79
MRT-40	34	39	6	33.65	38.85	6.00 ^{+0.00} / _{-0.08}	2.60 ^{-0.01} / _{-0.07}	BUTTCUT	PHENOLIC	37.32
MRT-45A	39	45	6	38.76	45.00	6.00 ^{-0.01} / _{-0.07}	3.12 ^{-0.01} / _{-0.07}	BUTTCUT	NYLON	37.66
MRT-46D	39.8	46	5.4	39.80	46.00	5.40 ^{+0.00} / _{-0.13}	3.10 ^{-0.01} / _{-0.07}	BUTTCUT	NYLON	6.84
MRT-46B	40	46	6	39.80	46.00	6.00 ^{+0.00} / _{-0.07}	3.10 ^{-0.01} / _{-0.07}	BUTTCUT	NYLON	75.16
MRT-46	41	46	6	41.00	46.00	6.00 ^{+0.00} / _{-0.13}	2.50 ^{-0.01} / _{-0.07}	BUTTCUT	NYLON	28.05
MRT-46C	41	47	6	41.00	47.00	6.00 ^{+0.00} / _{-0.20}	3.00 ^{-0.01} / _{-0.07}	BUTTCUT	PHENOLIC	9.23
MRT-52	46	52	6	45.60	51.60	6.00 ^{-0.01} / _{-0.14}	3.00 ^{-0.01} / _{-0.07}	BUTTCUT	PHENOLIC	34.37
MRT-55A	48	54	6	48.50	54.42	6.00 ^{+0.00} / _{-0.25}	2.96 ±0.03	STEEPCUT	PHENOLIC	38.14
MRT-65B	58	64	6	58.10	64.00	6.00	2.95	STEEPCUT	NYLON	46.24
MRT-65A	59	65	6	58.76	65.00	6.00 ^{+0.00} / _{-0.13}	3.12 ^{-0.01} / _{-0.07}	BUTTCUT	PHENOLIC	46.24
MRT-65	60	65	6	60.00	65.00	6.00 ^{+0.00} / _{-0.13}	2.50 ^{-0.01} / _{-0.07}	BUTTCUT	NYLON	43.70
MRT-71	61.4	71	6	61.40	71.00	6.00 ^{+0.00} / _{-0.13}	4.80 ^{-0.01} / _{-0.07}	STEEPCUT	PHENOLIC	21.39
MRT-70A	63	69	6	63.00	69.00	6.00 ^{+0.00} / _{-0.13}	3.00 ^{-0.01} / _{-0.07}	STEEPCUT	PHENOLIC	46.24
MRT-70B	64	70	6	64.00	70.00	6.00 ^{+0.00} / _{-0.13}	3.00 ^{-0.01} / _{-0.07}	BUTTCUT	NYLON	8.12
MRT-70	65	70	6	65.00	70.00	6.00 ^{+0.00} / _{-0.13}	2.50 ^{-0.01} / _{-0.07}	BUTTCUT	NYLON	48.54

CUSHION SEALS

STYLE MRT CUSHION SEALS

CUSHION SEALS

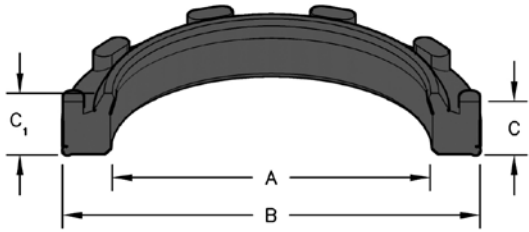
Part Number	A Nom. ID	B Nom. OD	C Nom. Ht	INSIDE DIAMETER	OUTSIDE DIAMETER	C HEIGHT	CROSS SECTION	SPLIT TYPE	MATERIAL	List Price
MRT-72A	65	71	6	64.80	70.80	6.00 ^{+0.00} / _{-0.13}	3.00 ^{-0.01} / _{-0.07}	STEP CUT	PHENOLIC	47.62
MRT-72	66	72	8	66.00	72.00	8.00 ^{-0.01} / _{-0.07}	3.00 ^{-0.01} / _{-0.07}	STEP CUT	PHENOLIC	28.14
MRT-75E	66.6	76.2	6	66.60	76.20	6.00 ^{+0.00} / _{-0.13}	4.80 ^{-0.01} / _{-0.07}	STEP CUT	PHENOLIC	25.68
MRT-75A	68	74	6	68.00	74.00	6.00 ^{+0.00} / _{-0.13}	3.00 ^{-0.01} / _{-0.07}	STEP CUT	PHENOLIC	49.35
MRT-75C	69	75	6	68.76	75.00	6.00 ^{+0.00} / _{-0.13}	3.12 ^{-0.01} / _{-0.07}	BUTT CUT	PHENOLIC	48.13
MRT-80A	69	79	8	69.00	78.85	8.00 ^{+0.00} / _{-0.13}	5.00 ^{-0.01} / _{-0.07}	STEP CUT	PHENOLIC	44.32
MRT-80B	69	79	10	68.85	78.85	10.00 ^{+0.00} / _{-0.13}	5.00 ^{-0.01} / _{-0.07}	STEP CUT	PHENOLIC	34.23
MRT-75	70	75	6	70.00	75.00	6.00 ^{+0.00} / _{-0.13}	2.50 ^{-0.01} / _{-0.07}	BUTT CUT	NYLON	53.93
MRT-80C	74	80	6	73.76	80.00	6.00 ^{+0.00} / _{-0.13}	3.12 ^{-0.01} / _{-0.07}	BUTT CUT	PHENOLIC	48.41
MRT-85A	74	84	8	74.00	84.00	8.00 ^{+0.00} / _{-0.13}	5.00 ^{-0.01} / _{-0.07}	STEP CUT	PHENOLIC	44.75
MRT-82	74.8	81	6	74.80	81.00	6.00 ^{+0.00} / _{-0.10}	3.10 ^{+0.03} / _{-0.05}	BUTT CUT	NYLON	12.39
MRT-80	75	80	6	75.00	80.00	6.00 ^{+0.00} / _{-0.13}	2.50 ^{-0.01} / _{-0.07}	BUTT CUT	NYLON	59.27
MRT-85C	75	85	10	75.00	85.00	10.00 ^{-0.01} / _{-0.14}	5.00 ^{-0.01} / _{-0.07}	STEP CUT	PHENOLIC	44.50
MRT-85B	79	85	6	78.76	85.00	6.00 ^{-0.01} / _{-0.08}	3.12 ^{-0.01} / _{-0.07}	BUTT CUT	NYLON	43.70
MRT-90A	79	89	8	79.00	89.00	8.00 ^{+0.00} / _{-0.13}	5.00 ^{-0.01} / _{-0.07}	STEP CUT	PHENOLIC	45.15
MRT-85	80	85	6	80.00	85.00	6.00 ^{+0.00} / _{-0.13}	2.50 ^{-0.01} / _{-0.07}	BUTT CUT	NYLON	37.78
MRT-89A	80.5	90.5	10	78.50	88.40	10.00 ^{-0.01} / _{-0.14}	5.00 ^{-0.01} / _{-0.07}	STEP CUT	PHENOLIC	34.62
MRT-87	81	87	6	80.76	87.00	6.00 ^{-0.01} / _{-0.07}	3.12 ^{-0.01} / _{-0.07}	BUTT CUT	NYLON	12.34
MRT-89	84	89	6	84.00	89.00	6.00 ^{+0.00} / _{-0.13}	2.50 ^{-0.01} / _{-0.07}	BUTT CUT	PHENOLIC	56.11
MRT-90C	84	90	6	83.76	90.00	6.00 ^{+0.00} / _{-0.13}	3.12 ^{-0.01} / _{-0.07}	BUTT CUT	PHENOLIC	50.28
MRT-95A	84	94	8	83.70	93.70	8.00 ^{+0.00} / _{-0.13}	5.00 ^{-0.01} / _{-0.07}	STEP CUT	PHENOLIC	43.17
MRT-91	84.7	90.9	5.5	84.70	90.90	5.50 ^{+0.00} / _{-0.13}	3.10 ^{-0.01} / _{-0.07}	BUTT CUT	NYLON	10.19
MRT-90	85	90	6	85.00	90.00	6.00 ^{+0.00} / _{-0.13}	2.50 ^{-0.01} / _{-0.07}	BUTT CUT	NYLON	65.28
MRT-95B	89	95	6	88.76	95.00	6.00 ^{-0.01} / _{-0.08}	3.12 ^{-0.01} / _{-0.07}	BUTT CUT	NYLON	33.11
MRT-100A	89	99	8	88.85	98.85	8.00 ^{+0.00} / _{-0.13}	5.00 ^{-0.01} / _{-0.07}	STEP CUT	PHENOLIC	45.95
MRT-95C	89.15	95.35	5.75	89.15	95.35	5.75 ^{+0.00} / _{-0.13}	3.10 ^{-0.01} / _{-0.07}	BUTT CUT	NYLON	8.74
MRT-95	90	95	6	90.00	95.00	6.00 ^{+0.00} / _{-0.13}	2.50 ^{-0.01} / _{-0.07}	BUTT CUT	NYLON	71.79
MRT-98	92.5	98.5	6	92.26	98.50	6.00 ^{-0.01} / _{-0.07}	3.12 ^{-0.01} / _{-0.07}	BUTT CUT	NYLON	39.82
MRT-100B	94	100	6	93.80	100.00	6.00 ^{+0.00} / _{-0.13}	3.10 ^{+0.00} / _{-0.07}	BUTT CUT	NYLON	47.57
MRT-105A	94	104	8	93.50	103.50	8.00 ^{+0.00} / _{-0.13}	5.00 ^{-0.01} / _{-0.07}	STEP CUT	PHENOLIC	52.05
MRT-100	95	100	6	95.00	100.00	6.00 ^{+0.00} / _{-0.13}	2.50 ^{-0.01} / _{-0.07}	BUTT CUT	NYLON	37.13

STYLE MRT CUSHION SEALS

Part Number	A Nom. ID	B Nom. OD	C Nom. Ht	INSIDE DIAMETER	OUTSIDE DIAMETER	C HEIGHT	CROSS SECTION	SPLIT TYPE	MATERIAL	List Price
MRT-104A	95	105	10	94.10	104.00	10.00 ^{-0.01} / _{-0.14}	5.00 ^{-0.01} / _{-0.07}	STPCUT	PHENOLIC	44.19
MRT-105	100	105	6	99.84	105.00	6.00 ^{+0.00} / _{-0.13}	2.58 ^{-0.01} / _{-0.05}	BUTTCUT	PHENOLIC	58.52
MRT-110C	100	110	10	100.00	110.00	10.00 ^{-0.01} / _{-0.14}	5.00 ^{-0.01} / _{-0.07}	STPCUT	PHENOLIC	51.74
MRT-107	102	107	6	105.00	107.00	6.00 ± 0.13	2.60 ^{+0.00} / _{-0.05}	BUTTCUT	PHENOLIC	43.54
MRT-111BBZ	103.3	109.6	6	103.30	109.60	6.00 ^{+0.00} / _{-0.13}	3.15 ^{+0.00} / _{-0.07}	BUTTCUT	BRONZE	97.28
MRT-110BZ	104.8	110	6	104.80	110.00	6.00 ^{+0.00} / _{-0.10}	2.60 ^{+0.00} / _{-0.07}	BUTTCUT	BRONZE	130.31
MRT-115ABZ	108.8	115.1	6	108.80	115.10	6.00 ^{+0.00} / _{-0.07}	3.15 ^{+0.00} / _{-0.07}	BUTTCUT	BRONZE	110.39
MRT-115B	109	115	6	109.00	115.00	6.00 ± 0.13	3.00 ^{+0.00} / _{-0.07}	BUTTCUT	NYLON	33.33
MRT-120A	109	119	8	108.50	118.50	8.00 ^{+0.00} / _{-0.13}	5.00 ^{-0.01} / _{-0.07}	STPCUT	PHENOLIC	53.41
MRT-115	110	115	6	109.80	115.00	6.00 ^{+0.00} / _{-0.13}	2.60 ^{+0.00} / _{-0.08}	BUTTCUT	PHENOLIC	33.61
MRT-120B	110	120	10	110.00	120.00	10.00 ^{+0.00} / _{-0.13}	5.00 ^{-0.01} / _{-0.07}	STPCUT	PHENOLIC	53.41
MRT-120BZ	114.8	120	6	114.80	120.00	6.00 ^{+0.00} / _{-0.10}	2.60 ^{+0.00} / _{-0.07}	BUTTCUT	BRONZE	131.39
MRT-120	115	120	6	115.00	120.00	6.00 ± 0.13	2.60 ^{+0.00} / _{-0.05}	BUTTCUT	PHENOLIC	43.54
MRT-128A	116	128	10	116.00	128.00	10.00 ^{+0.00} / _{-0.13}	6.00 ^{-0.01} / _{-0.07}	STPCUT	PHENOLIC	48.95
MRT-131	119.3	131.3	10	119.30	131.30	10.00 ^{-0.01} / _{-0.14}	6.00 ^{-0.01} / _{-0.07}	STPCUT	PHENOLIC	17.66
MRT-134A	122	134	10	122.00	134.00	10.00 ^{+0.00} / _{-0.13}	6.00 ^{-0.01} / _{-0.07}	STPCUT	PHENOLIC	49.47

STYLE MCK53 CUSHION SEALS

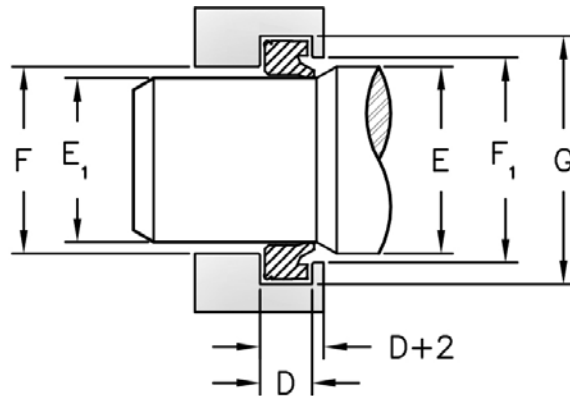
Molded in 92A urethane, the MCK53 is a pneumatic cushion seal with specially designed spacer lugs and flow passages to cushion at the end of the stroke in a pneumatic cylinder.



HERCULES PART NUMBERS

MCK53 - 012
 Style Prefix Inside Diameter

SEAL INFORMATION	
MATERIAL	92A URETHANE
TEMPERATURE RANGE	-22 - +176° F
PRESSURE RANGE	0 TO 230 PSI
SPEED	1.5 FT/SEC



CUSHION SEALS

Part Number	A Nom. ID	B Nom. OD	C Nom. Ht	C ₁ OVERALL HEIGHT	D GROOVE WIDTH	E ROD DIAMETER	F THROAT DIAMETER	F ₁	G HOUSING DIAMETER	D ₂ OUTER THROAT DEPTH	E ₁ STUB DIAMETER	th THICKNESS	List Price
MCK53-012	12	18	4.1	5.00	4.80 ±0.10	12.00 +0.00 -0.07	13.00 +0.11 +0.00	15.50 +0.11 +0.00	18.00 +0.11 +0.00	6.80 ±0.20	8.00 -0.013 -0.035	4.10	\$5.07
MCK53-012/1	12	20	6.2	7.80	7.00 ±0.10	12.00 +0.00 -0.07	13.00 +0.11 +0.00	17.00 +0.11 +0.00	20.00 +0.13 +0.00	9.00 ±0.20	8.00 -0.013 -0.035	6.20	5.07
MCK53-014	14	22	6.2	7.80	7.00 ±0.10	14.00 +0.00 -0.07	15.00 +0.11 +0.00	19.00 +0.13 +0.00	22.00 +0.13 +0.00	9.00 ±0.20	10.00 -0.013 -0.035	6.20	5.07
MCK53-016/1	16	22	4.7	5.50	5.20 ±0.10	16.00 +0.00 -0.07	17.00 +0.11 +0.00	19.50 +0.13 +0.00	22.00 +0.13 +0.00	7.20 ±0.20	12.00 -0.016 -0.043	4.70	5.34
MCK53-016	16	24	6.2	7.80	7.00 ±0.10	16.00 +0.00 -0.07	17.00 +0.11 +0.00	21.00 +0.13 +0.00	24.00 +0.13 +0.00	9.00 ±0.20	12.00 -0.016 -0.043	6.20	5.34
MCK53-018	18	26	6.2	7.80	7.00 ±0.10	18.00 +0.00 -0.07	19.00 +0.13 +0.00	22.00 +0.13 +0.00	26.00 +0.13 +0.00	9.00 ±0.20	14.00 -0.016 -0.043	6.20	5.50
MCK53-020	20	28	6.2	7.80	7.00 ±0.10	20.00 +0.000 -0.084	21.00 +0.13 +0.00	24.00 +0.13 +0.00	28.00 +0.13 +0.00	9.00 ±0.20	16.00 -0.016 -0.043	6.20	5.62
MCK53-024	24	32	6.2	7.80	7.00 ±0.10	24.00 +0.000 -0.084	25.00 +0.13 +0.00	28.00 +0.13 +0.00	32.00 +0.16 +0.00	9.00 ±0.20	20.00 -0.020 -0.053	6.20	6.13
MCK53-025	25	33	6.3	7.80	7.00 ±0.10	25.00 +0.000 -0.084	26.00 +0.13 +0.00	29.00 +0.13 +0.00	33.00 +0.16 +0.00	9.00 ±0.20	21.00 -0.020 -0.053	6.30	5.24
MCK53-025-N	25	33	6.3	7.80	7.00 ±0.10	25.00 +0.000 -0.084	26.00 +0.13 +0.00	29.00 +0.13 +0.00	33.00 +0.16 +0.00	9.00 ±0.20	21.00 -0.020 -0.053	6.30	4.38
MCK53-025/1	25	35	6.2	7.80	7.00 ±0.10	25.00 +0.000 -0.084	26.00 +0.13 +0.00	30.00 +0.13 +0.00	35.00 +0.16 +0.00	9.00 ±0.20	21.00 -0.020 -0.053	6.20	6.44
MCK53-030	30	40	6.2	7.80	7.00 ±0.10	30.00 +0.000 -0.084	31.50 +0.16 +0.00	35.00 +0.16 +0.00	40.00 +0.16 +0.00	9.00 ±0.20	26.00 -0.020 -0.053	6.20	6.30
MCK53-036	36	46	6.2	7.80	7.00 ±0.10	36.00 +0.00 -0.10	37.50 +0.16 +0.00	41.00 +0.16 +0.00	46.00 +0.16 +0.00	9.00 ±0.20	32.00 -0.025 -0.064	6.20	8.28

STYLE MCK53 CUSHION SEALS



Part Number	A Nom. ID	B Nom. OD	C Nom. Ht	C ₁ OVERALL HEIGHT	D GROOVE WIDTH	E ROD DIAMETER	F THROAT DIAMETER	F ₁	G HOUSING DIAMETER	D ₂ OUTER THROAT DEPTH	E ₁ STUB DIAMETER	th THICKNESS	List Price
MCK53-040	40	50	6.2	7.80	7.00 ±0.10	40.00 +0.00 -0.10	41.50 +0.16 +0.00	45.00 +0.16 +0.00	50.00 +0.16 +0.00	9.00 ±0.20	32.00 -0.025 -0.064	6.20	8.59
MCK53-050/1	50	60	6.2	7.80	7.00 ±0.10	50.00 +0.00 -0.10	51.50 +0.19 +0.00	55.00 +0.19 +0.00	60.00 +0.19 +0.00	9.00 ±0.20	46.00 -0.025 -0.064	6.20	9.08
MCK53-050	50	67	11	11.00	12.50 ±0.10	50.00 +0.00 -0.10	53.00 +0.19 +0.00	58.00 +0.19 +0.00	67.00 +0.19 +0.00	14.50 ±0.20	46.00 -0.025 -0.064	11.00	10.70
MCK53-057	57	74	10	11.00	12.50 ±0.10	57.00 +0.00 -0.12	60.00 +0.19 +0.00	65.00 +0.19 +0.00	74.00 +0.19 +0.00	14.50 ±0.20	53.00 -0.030 -0.076	10.00	11.35
MCK53-070	70	87	10	11.00	12.50 ±0.10	70.00 +0.00 -0.12	73.00 +0.19 +0.00	78.00 +0.19 +0.00	87.00 +0.22 +0.00	14.50 ±0.20	66.00 -0.030 -0.076	10.00	12.56

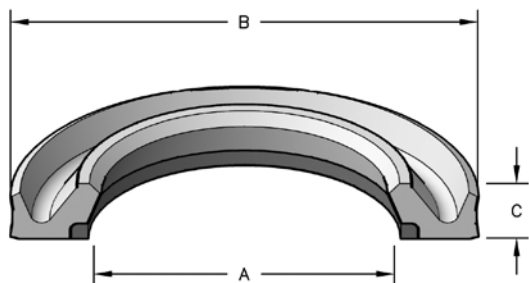
CUSHION SEALS



STYLE MYR BUFFER SEALS

Molded in urethane and employing a back-up, this seal absorbs the shock of pressure spikes to protect the rod seal. The unique design relieves back pressure between the buffer and the rod seal.

NOTE: ME = Merkel Equivalent.

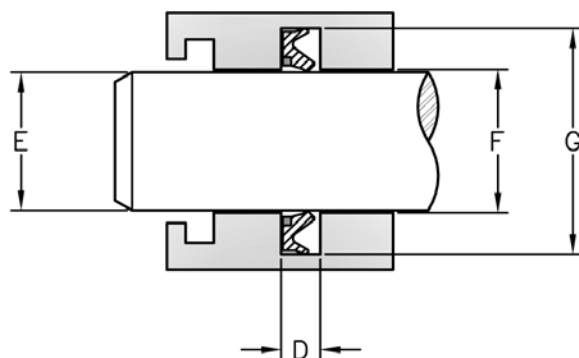


HERCULES PART NUMBERS

MYR - 40 X 50.7 X 3.9

Type of Seal Inside Diameter Housing Diameter Height

SEAL INFORMATION	
MATERIAL	URETHANE BUFFER NYLON BACK-UP
TEMPERATURE RANGE	-30° TO +220° F
PRESSURE RANGE	0 TO 7,000 PSI
SPEED	3 FT/SEC



BUFFER SEALS

Part Number	A Nom. ID	B Nom. OD	C Nom. Ht	D GROOVE WIDTH	E ROD DIAMETER	F THROAT DIAMETER	G HOUSING DIAMETER	List Price
MYR-40X50.7X3.9	40	50.7	3.9	4.20 +0.20 +0.00	40.00 -0.025 -0.064	40.00 +0.062 +0.000	50.70 +0.20 +0.00	\$70.14
MYR-40X55.1X5.9-ME	40	55	5.9	6.30 +0.20 +0.00	40.00 -0.025 -0.064	40.00 +0.062 +0.000	55.00 +0.074 +0.000	40.61
MYR-40X55.5X5.9	40	55.5	5.9	6.30 +0.20 +0.00	40.00 -0.025 -0.064	40.00 +0.062 +0.000	55.50 +0.20 +0.00	13.92
MYR-45X55.7X3.9	45	55.7	3.9	4.20 +0.20 +0.00	45.00 -0.025 -0.064	45.00 +0.062 +0.000	55.70 +0.20 +0.00	76.59
MYR-45X60.1X5.9-ME	45	60.1	5.9	6.30 +0.20 +0.00	45.00 -0.025 -0.064	45.00 +0.062 +0.000	60.10 +0.074 +0.000	41.01
MYR-45X60.5X5.9	45	60.5	5.9	6.30 +0.20 +0.00	45.00 -0.025 -0.064	45.00 +0.062 +0.000	60.50 +0.20 +0.00	14.70
MYR-50X62.9X3.6	50	62.9	3.6	3.60 +0.20 +0.00	50.00 -0.025 -0.064	50.00 +0.062 +0.000	62.90 +0.20 +0.00	43.18
MYR-50X65.1X5.9-ME	50	65.1	5.9	6.30 +0.20 +0.00	50.00 -0.025 -0.064	50.00 +0.062 +0.000	65.10 +0.074 +0.000	43.09
MYR-50X65.5X5.9	50	65.5	5.9	6.30 +0.20 +0.00	50.00 -0.025 -0.064	50.00 +0.062 +0.000	65.50 +0.20 +0.00	28.35
MYR-55X70.1X5.9-ME	55	70.1	5.9	6.30 +0.20 +0.00	55.00 -0.030 +0.924	55.00 +0.074 +0.000	70.10 +0.074 +0.000	46.48
MYR-55X70.5X5.9	55	70.5	5.9	6.30 +0.20 +0.00	55.00 -0.030 -0.076	55.00 +0.074 +0.000	70.50 +0.20 +0.00	28.51
MYR-56X71.1X5.9-ME	56	71.1	5.9	6.30 +0.20 +0.00	56.00 -0.030 -0.076	56.00 +0.074 +0.000	71.10 +0.074 +0.000	42.66
MYR-56X71.5X5.9	56	71.5	5.9	6.30 +0.20 +0.00	56.00 -0.030 -0.076	56.00 +0.074 +0.000	71.50 +0.20 +0.00	49.03
MYR-60X75.1X5.9-ME	60	75.1	5.9	6.30 +0.20 +0.00	60.00 -0.030 -0.076	60.00 +0.074 +0.000	75.10 +0.074 +0.000	46.94
MYR-60X75.5X5.9	60	75.5	5.9	6.30 +0.20 +0.00	60.00 -0.030 -0.076	60.00 +0.074 +0.000	75.50 +0.20 +0.00	40.50

STYLE MYR BUFFER SEALS

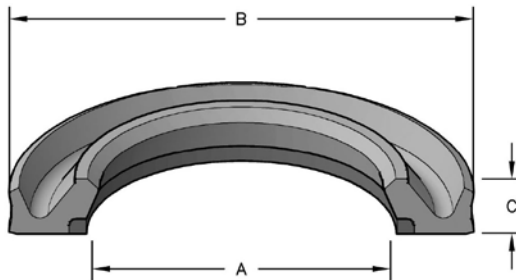


BUFFER SEALS

Part Number	A Nom. ID	B Nom. OD	C Nom. Ht	D GROOVE WIDTH	E ROD DIAMETER	F THROAT DIAMETER	G HOUSING DIAMETER	List Price
MYR-63X78.1X5.9-ME	63	78.1	5.9	6.30 +0.20 +0.00	63.00 -0.030 -0.076	63.00 +0.074 +0.000	78.10 +0.074 +0.000	46.94
MYR-63X78.5X5.9	63	78.5	5.9	6.30 +0.20 +0.00	63.00 -0.030 -0.076	63.00 +0.074 +0.000	78.50 +0.20 +0.00	31.72
MYR-63X78.5X6.3-653	63	78.5	6.3	6.30 +0.25 +0.00	63.00 -0.03 -0.10	63.00	78.50 +0.12 +0.00	47.00
MYR-65X80.5X5.9	65	80.5	5.9	6.30 +0.20 +0.00	65.00 -0.030 -0.076	65.00 +0.074 +0.000	80.50 +0.20 +0.00	48.16
MYR-70X85.1X5.9-ME	70	85.1	5.9	6.30 +0.20 +0.00	70.00 -0.030 -0.076	70.00 +0.074 +0.000	85.10 +0.087 +0.000	59.87
MYR-70X85.5X5.9	70	85.5	5.9	6.30 +0.20 +0.00	70.00 -0.030 -0.076	70.00 +0.074 +0.000	85.50 +0.20 +0.00	52.57
MYR-75X90.1X6	75	90.1	6	6.30 +0.20 +0.00	75.00 -0.030 -0.076	75.00 +0.074 +0.000	90.10 +0.22 +0.00	54.09
MYR-75X90.5X5.9	75	90.5	5.9	6.30 +0.20 +0.00	75.00 -0.030 -0.076	75.00 +0.074 +0.000	90.50 +0.20 +0.00	55.90
MYR-75X91.3X5.6	75	91.28	5.6	5.60 +0.20 +0.00	75.00 -0.030 -0.076	75.00 +0.074 +0.000	91.28 +0.20 +0.00	141.20
MYR-80X95.1X5.9-ME	80	95.1	5.9	6.30 +0.20 +0.00	80.00 -0.030 -0.076	80.00 +0.074 +0.000	95.10 +0.087 +0.000	70.81
MYR-80X95.5X5.9	80	95.5	5.9	6.30 +0.20 +0.00	80.00 -0.030 -0.076	80.00 +0.074 +0.000	95.50 +0.20 +0.00	59.19
MYR-80X96.3X5.6	80	96.28	5.6	5.60 +0.20 +0.00	80.00 -0.030 -0.076	80.00 +0.074 +0.000	96.28 +0.20 +0.00	144.75
MYR-85X100.5X5.9	85	100.5	5.9	6.30 +0.20 +0.00	85.00 -0.036 -0.090	85.00 +0.087 +0.000	100.50 +0.20 +0.00	63.51
MYR-90X105.5X5.9	90	105.5	5.9	6.30 +0.20 +0.00	90.00 -0.036 -0.090	90.00 +0.087 +0.000	105.50 +0.20 +0.00	76.66
MYR-95X110.5X5.9	95	110.5	5.9	6.30 +0.20 +0.00	95.00 -0.036 -0.090	95.00 +0.087 +0.000	110.50 +0.20 +0.00	80.93
MYR-100X115.5X5.9	100	115.5	5.9	6.30 +0.20 +0.00	100.00 -0.036 -0.090	100.00 +0.087 +0.000	115.50 +0.20 +0.00	83.27
MYR-105X120.5X5.9	105	120.5	5.9	6.30 +0.20 +0.00	105.00 -0.036 -0.090	105.00 +0.087 +0.000	120.50 +0.20 +0.00	86.27
MYR-110X125.5X5.9	110	125.5	5.9	6.30 +0.20 +0.00	110.00 -0.036 -0.090	110.00 +0.087 +0.000	125.50 +0.20 +0.00	89.83
MYR-115X130.5X5.9	115	130.5	5.9	6.30 +0.20 +0.00	115.00 -0.036 -0.090	115.00 +0.087 +0.000	130.50 +0.20 +0.00	49.55
MYR-120X135.5X5.9	120	135.5	5.9	6.30 +0.20 +0.00	120.00 -0.036 -0.090	120.00 +0.087 +0.000	135.50 +0.20 +0.00	97.52
MYR-125X140.5X5.9	125	140.5	5.9	6.30 +0.20 +0.00	125.00 -0.043 -0.106	125.00 +0.10 +0.00	140.50 +0.20 +0.00	48.98
MYR-130X145.5X5.9	130	145.5	5.9	6.30 +0.20 +0.00	130.00 -0.043 -0.106	130.00 +0.10 +0.00	145.50 +0.20 +0.00	151.35
MYR-140X155.5X5.9	140	155.5	5.9	6.30 +0.20 +0.00	140.00 -0.043 -0.106	140.00 +0.10 +0.00	155.50 +0.20 +0.00	246.48
MYR-150X165.5X5.9	150	165.5	5.9	6.30 +0.20 +0.00	150.00 -0.043 -0.106	150.00 +0.10 +0.00	165.50 +0.20 +0.00	161.56
MYR-155X170.5X5.9	155	170.5	5.9	6.30 +0.20 +0.00	155.00 -0.043 -0.106	155.00 +0.10 +0.00	170.50 +0.20 +0.00	165.45
MYR-160X175.5X5.9	160	175.5	5.9	6.30 +0.20 +0.00	160.00 -0.043 -0.106	160.00 +0.10 +0.00	175.50 +0.20 +0.00	247.72
MYR-165X180.5X5.9	165	180.5	5.9	6.30 +0.20 +0.00	165.00 -0.043 -0.106	165.00 +0.10 +0.00	180.50 +0.20 +0.00	263.69
MYR-170X185.5X5.9	170	185.5	5.9	6.30 +0.20 +0.00	170.00 -0.043 -0.106	170.00 +0.10 +0.00	185.50 +0.20 +0.00	349.31
MYR-180X195.5X5.9	180	195.5	5.9	6.30 +0.20 +0.00	180.00 -0.043 -0.106	180.00 +0.10 +0.00	195.50 +0.20 +0.00	487.48
MYR-190X205.5X5.9	190	205.5	5.9	6.30 +0.20 +0.00	190.00 -0.050 -0.122	190.00 +0.115 +0.000	205.50 +0.20 +0.00	274.85

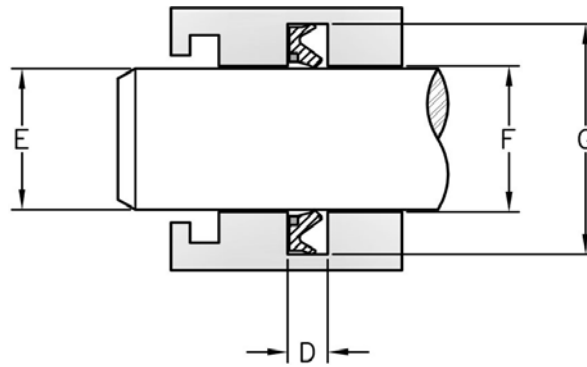
STYLE MYR-HT BUFFER SEALS

Molded with a premium urethane and employing a back-up, this seal absorbs the shock of pressure spikes to protect the rod seal. The unique design also relieves back pressure between the buffer and the rod seal. The premium urethane demonstrates good heat resistance with almost no permanent deformation at high temperatures. In addition, the elastomeric properties can be quickly restored even in low temperatures to ensure stable sealing in cold applications.



HERCULES PART NUMBERS
MYR - 70 x 85.5 x 5.9 - HT
 Type of Seal Rod Diameter Groove Diameter Height

SEAL INFORMATION	
MATERIAL	URETHANE BUFFER, NYLON BACK-UP
TEMPERATURE RANGE	-67°F TO 248°F
PRESSURE RANGE	0 TO 7250 PSI
SPEED	3 FT/SEC



BUFFER SEALS

Part Number	A Nom. ID	B Nom. OD	C Nom. Ht	D GROOVE WIDTH	E ROD DIAMETER	F THROAT DIAMETER	G HOUSING DIAMETER	List Price
MYR-50X65.5X6-HT	50	65.5	6	6.30 +0.20 +0.00	50.00 -0.025 -0.064	50.00 +0.062 +0.000	65.50 +0.20 +0.00	\$55.41
MYR-55X70.5X6-HT	55	70.5	6	6.30 +0.20 +0.00	55.00 -0.030 -0.076	55.00 +0.074 +0.000	70.50 +0.20 +0.00	70.42
MYR-60X75.5X6-HT	60	75.5	6	6.30 +0.20 +0.00	60.00 -0.030 -0.076	60.00 +0.074 +0.000	75.50 +0.20 +0.00	73.71
MYR-65X80.5X5.9-HT	65	80.5	5.9	6.30 +0.20 +0.00	65.00 -0.030 -0.076	65.00 +0.074 +0.000	80.50 +0.20 +0.00	92.76
MYR-70X85.5X5.9-HT	70	85.5	5.9	6.30 +0.20 +0.00	70.00 -0.030 -0.076	70.00 +0.074 +0.000	85.50 +0.20 +0.00	97.98
MYR-75X90.5X5.9-HT	75	90.5	5.9	6.30 +0.20 +0.00	75.00 -0.030 -0.076	75.00 +0.074 +0.000	90.50 +0.20 +0.00	105.26
MYR-80X95.5X5.9-HT	80	95.5	5.9	6.30 +0.20 +0.00	80.00 -0.030 -0.076	80.00 +0.074 +0.000	95.50 +0.20 +0.00	110.60
MYR-85X100.5X6-HT	85	100.5	6	6.30 +0.20 +0.00	85.00 -0.036 -0.090	85.00 +0.087 +0.000	100.50 +0.20 +0.00	98.48
MYR-90X105.5X6-HT	90	105.5	6	6.30 +0.20 +0.00	90.00 -0.036 -0.090	90.00 +0.087 +0.000	105.50 +0.20 +0.00	176.05
MYR-95X110.5X6-HT	95	110.5	6	6.30 +0.20 +0.00	95.00 -0.036 -0.090	95.00 +0.087 +0.000	110.50 +0.20 +0.00	183.07
MYR-100X115.5X6-HT	100	115.5	6	6.30 +0.20 +0.00	100.00 -0.036 -0.090	100.00 +0.087 +0.000	115.50 +0.20 +0.00	189.47
MYR-105X120.5X5.9-HT	105	120.5	6	6.30 +0.20 +0.00	105.00 -0.036 -0.090	105.00 +0.087 +0.000	120.50 +0.20 +0.00	127.56
MYR-110X125.5X6-HT	110	125.5	6	6.30 +0.20 +0.00	110.00 -0.036 -0.090	110.00 +0.087 +0.000	125.50 +0.20 +0.00	136.22
MYR-115X130.5X6-HT	115	130.5	6	6.30 +0.20 +0.00	115.00 -0.036 -0.090	115.00 +0.087 +0.000	130.50 +0.20 +0.00	175.60

STYLE MYR-HT BUFFER SEALS

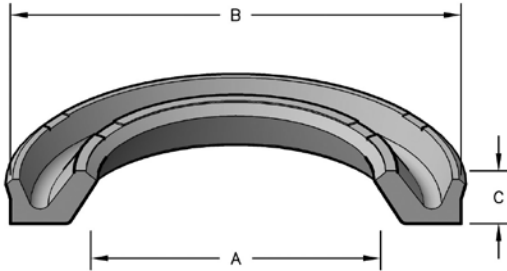


Part Number	A Nom. ID	B Nom. OD	C Nom. Ht	D GROOVE WIDTH	E ROD DIAMETER	F THROAT DIAMETER	G HOUSING DIAMETER	List Price
MYR-120X135.5X6-HT	120	135.5	6	6.30 ^{+0.20} / _{+0.00}	120.00 ^{-0.036} / _{-0.090}	120.00 ^{+0.087} / _{+0.000}	135.50 ^{+0.20} / _{+0.00}	188.82
MYR-125X140.5X6-HT	125	140.5	6	6.30 ^{+0.20} / _{+0.00}	125.00 ^{-0.043} / _{-0.106}	125.00 ^{+0.10} / _{+0.00}	140.50 ^{+0.20} / _{+0.00}	161.14
MYR-130X145.5X6-HT	130	145.5	6	6.30 ^{+0.20} / _{+0.00}	130.00 ^{-0.043} / _{-0.106}	130.00 ^{+0.10} / _{+0.00}	145.50 ^{+0.20} / _{+0.00}	167.75
MYR-140X155.5X6-HT	140	155.5	6	6.30 ^{+0.20} / _{+0.00}	140.00 ^{-0.043} / _{-0.106}	140.00 ^{+0.10} / _{+0.00}	155.50 ^{+0.20} / _{+0.00}	199.49
MYR-140X160X8-HT	140	160	8	8.30 ^{+0.20} / _{+0.00}	140.00 ^{-0.043} / _{-0.106}	140.00 ^{+0.10} / _{+0.00}	160.00 ^{+0.20} / _{+0.00}	236.98
MYR-145X160.5X6-HT	145	160.5	6	6.30 ^{+0.20} / _{+0.00}	145.00 ^{-0.043} / _{-0.106}	145.00 ^{+0.10} / _{+0.00}	160.50 ^{+0.20} / _{+0.00}	97.79
MYR-150X165.5X6-HT	150	165.5	6	6.30 ^{+0.20} / _{+0.00}	150.00 ^{-0.043} / _{-0.106}	150.00 ^{+0.10} / _{+0.00}	165.50 ^{+0.20} / _{+0.00}	214.90
MYR-160X175.5X6-HT	160	175.5	6	6.30 ^{+0.20} / _{+0.00}	160.00 ^{-0.043} / _{-0.106}	160.00 ^{+0.10} / _{+0.00}	175.50 ^{+0.20} / _{+0.00}	229.54
MYR-160X175.5X6B-HT	160	175.5	6	6.30 ^{+0.20} / _{+0.00}	160.00 ^{-0.043} / _{-0.106}	160.00 ^{+0.10} / _{+0.00}	175.50 ^{+0.20} / _{+0.00}	236.08
MYR-160X180X8-HT	160	180	8	8.30 ^{+0.20} / _{+0.00}	160.00 ^{-0.043} / _{-0.106}	160.00 ^{+0.10} / _{+0.00}	180.00 ^{+0.20} / _{+0.00}	475.33
MYR-200X220X8-HT	200	220	8	8.30 ^{+0.20} / _{+0.00}	200.00 ^{-0.050} / _{-0.122}	200.00 ^{+0.115} / _{+0.000}	220.00 ^{+0.20} / _{+0.00}	518.59

BUFFER SEALS

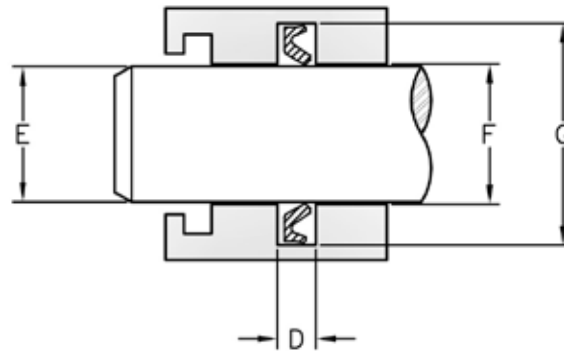
STYLE MYR-KYB BUFFER SEALS

Style MYR-KYB buffer seals are made to a Kayaba-equivalent design which is commonly used within Caterpillar, Deere/Hitachi, and Volvo cylinders.



HERCULES PART NUMBERS
MYR - 80 x 95.5 x 6 - KYB
 Type of Seal Rod Diameter Groove Diameter Height

SEAL INFORMATION	
MATERIAL	URETHANE
TEMPERATURE RANGE	-67°F TO 212°F
PRESSURE RANGE	0 TO 7,000 PSI
SPEED	3.3 FT/SEC



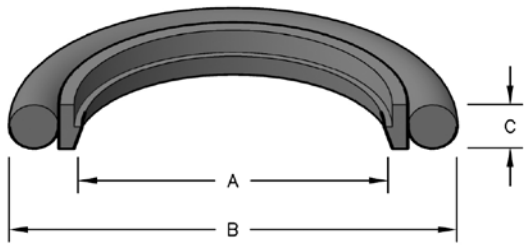
BUFFER SEALS

Part Number	A Nom. ID	B Nom. OD	C Nom. Ht	D GROOVE WIDTH	E ROD DIAMETER	F THROAT DIAMETER	G HOUSING DIAMETER	List Price
MYR-80X95.5X6-KYB	80	95.5	6	6.40 <small>+0.20 +0.00</small>	80.00 <small>-0.030 -0.076</small>	80.00 <small>+0.074 +0.000</small>	95.50 <small>+0.20 +0.00</small>	\$ 19.75
MYR-85X100.5X6-KYB	85	100.5	6	6.40 <small>+0.20 +0.00</small>	85.00 <small>-0.036 -0.090</small>	85.00 <small>+0.087 +0.000</small>	100.50 <small>+0.20 +0.00</small>	19.75
MYR-90X105.5X6-KYB	90	105.5	6	6.40 <small>+0.20 +0.00</small>	90.00 <small>-0.036 -0.090</small>	90.00 <small>+0.087 +0.000</small>	105.50 <small>+0.20 +0.00</small>	21.27
MYR-95X110.5X6-KYB	95	110.5	6	6.40 <small>+0.20 +0.00</small>	95.00 <small>-0.036 -0.090</small>	95.00 <small>+0.087 +0.000</small>	110.50 <small>+0.20 +0.00</small>	21.27
MYR-100X115.5X6-KYB	100	115.5	6	6.40 <small>+0.20 +0.00</small>	100.00 <small>-0.036 -0.090</small>	100.00 <small>+0.087 +0.000</small>	115.50 <small>+0.20 +0.00</small>	24.96
MYR-105X120.5X6-KYB	105	120.5	6	6.40 <small>+0.20 +0.00</small>	105.00 <small>-0.036 -0.090</small>	105.00 <small>+0.087 +0.000</small>	120.50 <small>+0.20 +0.00</small>	26.10
MYR-110X125.5X6-KYB	110	125.5	6	6.40 <small>+0.20 +0.00</small>	110.00 <small>-0.036 -0.090</small>	110.00 <small>+0.087 +0.000</small>	125.50 <small>+0.20 +0.00</small>	27.76
MYR-115X130.5X6-KYB	115	130.5	6	6.40 <small>+0.20 +0.00</small>	115.00 <small>-0.036 -0.090</small>	115.00 <small>+0.087 +0.000</small>	130.50 <small>+0.20 +0.00</small>	29.55
MYR-120X135.5X6-KYB	120	135.5	6	6.40 <small>+0.20 +0.00</small>	120.00 <small>-0.036 -0.090</small>	120.00 <small>+0.087 +0.000</small>	135.50 <small>+0.20 +0.00</small>	30.19
MYR-130X145.5X6-KYB	130	145.5	6	6.40 <small>+0.20 +0.00</small>	130.00 <small>-0.043 -0.106</small>	130.00 <small>+0.10 +0.00</small>	145.50 <small>+0.20 +0.00</small>	36.67

STYLE MKR BUFFER SEALS

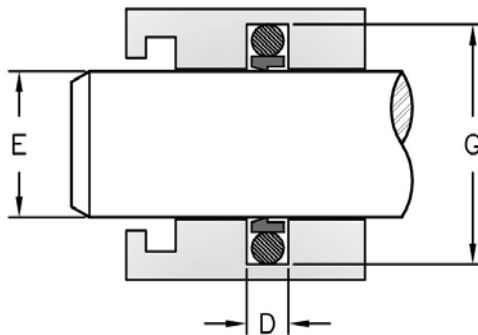


Molded in PTFE with a rubber energizer, this seal absorbs the shock of pressure spikes to protect the rod seal.



HERCULES PART NUMBERS

MKR - 08 X 13 X 2
 Type of Seal Inside Diameter Outside Diameter Height



SEAL INFORMATION	
MATERIAL	FILLED PTFE BUFFER 70A NITRILE ENERGIZER
TEMPERATURE RANGE	-40° TO +220° F
PRESSURE RANGE	0 TO 5,000 PSI
SPEED	12 FT/SEC

Part Number	A Nom. ID	B Nom. OD	C Nom. Ht	D GROOVE WIDTH	E ROD DIAMETER	G HOUSING DIAMETER	List Price
MKR-08X13X2	8	13	2	2.20 +0.20 +0.00	8.00 -0.013 -0.035	13.00 +0.20 +0.00	\$ 16.87
MKR-08X15.5X3	8	15.5	3	3.20 +0.20 +0.00	8.00 -0.013 -0.035	15.50 +0.20 +0.00	16.68
MKR-12X17X2	12	17	2	2.20 +0.20 +0.00	12.00 -0.016 -0.043	17.00 +0.20 +0.00	7.39
MKR-12X19.5X3	12	19.5	3	3.20 +0.20 +0.00	12.00 -0.016 -0.043	19.50 +0.20 +0.00	15.30
MKR-14X21.5X3	14	21.5	3	3.20 +0.20 +0.00	14.00 -0.016 -0.043	21.50 +0.20 +0.00	11.06
MKR-15X22.5X3	15	22.5	3	3.20 +0.20 +0.00	15.00 -0.016 -0.043	22.50 +0.20 +0.00	15.30
MKR-16X23.5X3	16	23.5	3	3.20 +0.20 +0.00	16.00 -0.016 -0.043	23.50 +0.20 +0.00	7.39
MKR-18X23X2	18	23	2	2.20 +0.20 +0.00	18.00 -0.016 -0.043	23.00 +0.20 +0.00	14.34
MKR-18X25.5X3	18	25.5	3	3.20 +0.20 +0.00	18.00 -0.016 -0.043	25.50 +0.20 +0.00	7.74
MKR-20X27.5X3	20	27.5	3	3.20 +0.20 +0.00	20.00 -0.020 -0.053	27.50 +0.20 +0.00	10.89
MKR-20X31X4	20	31	4	4.20 +0.20 +0.00	20.00 -0.020 -0.053	31.00 +0.20 +0.00	10.89
MKR-22X29.5X3	22	29.5	3	3.20 +0.20 +0.00	22.00 -0.020 -0.053	29.50 +0.20 +0.00	11.06
MKR-22X33X4	22	33	4	4.20 +0.20 +0.00	22.00 -0.020 -0.053	33.00 +0.20 +0.00	11.06
MKR-25X32.5X3	25	32.5	3	3.20 +0.20 +0.00	25.00 -0.020 -0.053	32.50 +0.20 +0.00	11.28
MKR-25X35.7X4	25	35.7	4	4.20 +0.20 +0.00	25.00 -0.020 -0.053	35.70 +0.20 +0.00	28.65
MKR-28X35.5X3	28	35.5	3	3.20 +0.20 +0.00	28.00 -0.020 -0.053	35.50 +0.20 +0.00	11.28
MKR-28X39X4	28	39	4	4.20 +0.20 +0.00	28.00 -0.020 -0.053	39.00 +0.20 +0.00	11.28

BUFFER SEALS



STYLE MKR BUFFER SEALS

BUFFER SEALS

Part Number	A Nom. ID	B Nom. OD	C Nom. Ht	D GROOVE WIDTH	E ROD DIAMETER	G HOUSING DIAMETER	List Price
MKR-30X37.5X3	30	37.5	3	3.20 +0.20 +0.00	30.00 -0.020 -0.053	37.50 +0.20 +0.00	13.16
MKR-30X40.7X3.9	30	40.7	3.9	4.20 +0.20 +0.00	30.00 -0.020 -0.053	40.70 +0.20 +0.00	36.16
MKR-30X40.7X4U	30	40.7	4	4.20 +0.20 +0.00	30.00 -0.020 -0.053	40.70 +0.20 +0.00	47.96
MKR-32X39.5X3	32	39.5	3	3.20 +0.20 +0.00	32.00 -0.025 -0.064	39.50 +0.20 +0.00	24.06
MKR-32X43X4	32	43	4	4.20 +0.20 +0.00	32.00 -0.025 -0.064	43.00 +0.20 +0.00	12.03
MKR-35X42.5X3	35	42.5	3	3.20 +0.20 +0.00	35.00 -0.025 -0.064	42.50 +0.20 +0.00	30.84
MKR-35X46X4	35	46	4	4.20 +0.20 +0.00	35.00 -0.025 -0.064	46.00 +0.20 +0.00	13.00
MKR-36X43.5X3	36	43.5	3	3.20 +0.20 +0.00	36.00 -0.025 -0.064	43.50 +0.20 +0.00	13.16
MKR-36X47X4	36	47	4	4.20 +0.20 +0.00	36.00 -0.025 -0.064	47.00 +0.20 +0.00	13.00
MKR-40X51X4	40	51	4	4.20 +0.20 +0.00	40.00 -0.025 -0.064	51.00 +0.20 +0.00	21.18
MKR-40X52.6X4	40	52.6	4	4.20 +0.20 +0.00	40.00 -0.025 -0.064	52.60 +0.20 +0.00	36.64
MKR-40X55.5X5.9	40	55.5	5.9	6.30 +0.20 +0.00	40.00 -0.025 -0.064	55.50 +0.20 +0.00	36.49
MKR-45X56X4	45	56	4	4.20 +0.20 +0.00	45.00 -0.025 -0.064	56.00 +0.20 +0.00	25.79
MKR-45X57.6X4	45	57.6	4	4.20 +0.20 +0.00	45.00 -0.025 -0.064	57.60 +0.20 +0.00	35.19
MKR-45X60.5X5.9	45	60.5	5.9	6.30 +0.20 +0.00	45.00 -0.025 -0.064	60.50 +0.20 +0.00	25.79
MKR-50X60X4.5	50	60	4.5	4.80 +0.20 +0.00	50.00 -0.025 -0.064	60.00 +0.20 +0.00	33.72
MKR-50X60.8X4.2	50	60.8	3.9	4.20 +0.20 +0.00	50.00 -0.025 -0.064	60.80 +0.20 +0.00	16.71
MKR-50X61X4	50	61	4	4.20 +0.20 +0.00	50.00 -0.025 -0.064	61.00 +0.20 +0.00	25.79
MKR-50X62.6X4	50	62.6	4	4.20 +0.20 +0.00	50.00 -0.025 -0.064	62.60 +0.20 +0.00	42.92
MKR-50X65.5X5.9	50	65.5	5.9	6.30 +0.20 +0.00	50.00 -0.025 -0.064	65.50 +0.20 +0.00	25.79
MKR-55X70.5X5.9	55	70.5	5.9	6.30 +0.20 +0.00	55.00 -0.030 -0.076	70.50 +0.20 +0.00	43.02
MKR-56X68.6X4	56	68.6	4	4.20 +0.20 +0.00	56.00 -0.030 -0.076	68.60 +0.20 +0.00	43.02
MKR-56X71.5X5.9	56	71.5	5.9	6.30 +0.20 +0.00	56.00 -0.030 -0.076	71.50 +0.20 +0.00	31.04
MKR-60X71X4	60	71	4	4.20 +0.20 +0.00	60.00 -0.030 -0.076	71.00 +0.20 +0.00	32.78
MKR-60X75.5X5.9	60	75.5	5.9	6.30 +0.20 +0.00	60.00 -0.030 -0.076	75.50 +0.20 +0.00	43.02
MKR-63X75.6X3.9	63	75.6	3.9	4.20 +0.20 +0.00	63.00 -0.030 -0.076	75.60 +0.20 +0.00	31.26
MKR-63X78.5X5.9	63	78.5	5.9	6.30 +0.20 +0.00	63.00 -0.030 -0.076	78.50 +0.20 +0.00	35.52
MKR-65X80.5X5.9	65	80.5	5.9	6.30 +0.20 +0.00	65.00 -0.030 -0.076	80.50 +0.20 +0.00	41.50
MKR-70X81X4	70	81	4	4.20 +0.20 +0.00	70.00 -0.030 -0.076	81.00 +0.20 +0.00	38.04
MKR-70X85.5X5.9	70	85.5	5.9	6.30 +0.20 +0.00	70.00 -0.030 -0.076	85.50 +0.20 +0.00	48.20
MKR-70X86.28X5.23	70	86.28	5.23	5.59 +0.20 +0.00	70.00 -0.030 -0.076	86.28 +0.20 +0.00	63.67
MKR-75X90.5X5.9	75	90.5	5.9	6.30 +0.20 +0.00	75.00 -0.030 -0.076	90.50 +0.20 +0.00	51.43
MKR-80X95.5X5.9	80	95.5	5.9	6.30 +0.20 +0.00	80.00 -0.030 -0.076	95.50 +0.20 +0.00	55.41

STYLE MKR BUFFER SEALS

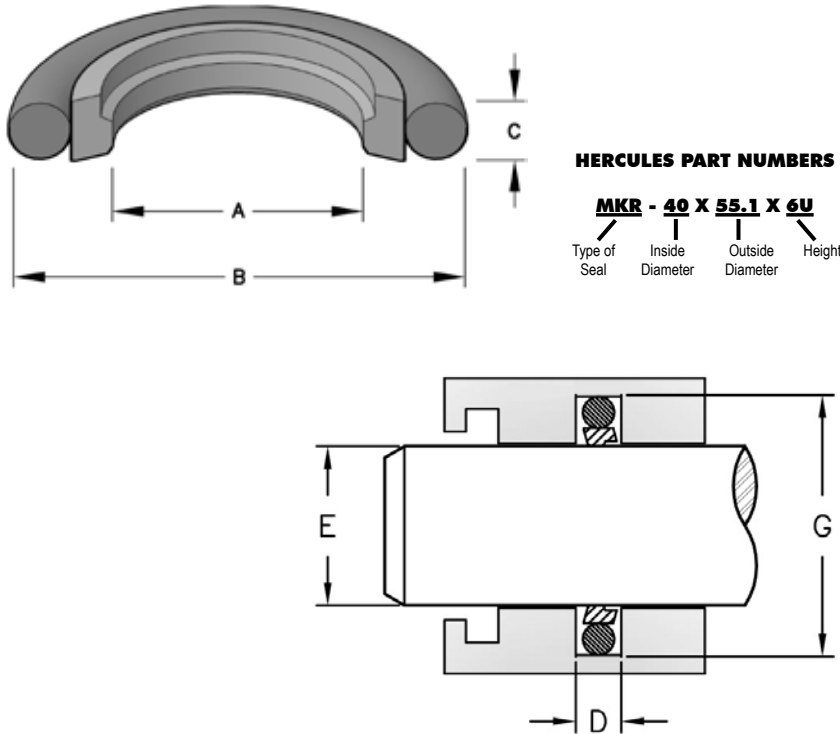


BUFFER SEALS

Part Number	A Nom. ID	B Nom. OD	C Nom. Ht	D GROOVE WIDTH	E ROD DIAMETER	G HOUSING DIAMETER	List Price
MKR-85X100.5X5.9	85	100.5	5.9	6.30 +0.20 +0.00	85.00 -0.036 -0.090	100.50 +0.20 +0.00	54.72
MKR-90X105.5X5.9	90	105.5	5.9	6.30 +0.20 +0.00	90.00 -0.036 -0.090	105.50 +0.20 +0.00	60.17
MKR-95X110.5X5.9	95	110.5	5.9	6.30 +0.20 +0.00	95.00 -0.036 -0.090	110.50 +0.20 +0.00	62.11
MKR-100X115.5X5.9	100	115.5	5.9	6.30 +0.20 +0.00	100.00 -0.036 -0.090	115.50 +0.20 +0.00	63.09
MKR-105X120.5X5.9	105	120.5	5.9	6.30 +0.20 +0.00	105.00 -0.036 -0.090	120.50 +0.20 +0.00	71.79
MKR-110X125.5X5.9	110	125.5	5.9	6.30 +0.20 +0.00	110.00 -0.036 -0.090	125.50 +0.20 +0.00	74.93
MKR-115X130.5X5.9	115	130.5	5.9	6.30 +0.20 +0.00	115.00 -0.036 -0.090	130.50 +0.20 +0.00	74.71
MKR-120X135.5X5.9	120	135.5	5.9	6.30 +0.20 +0.00	120.00 -0.036 -0.090	135.50 +0.20 +0.00	75.07
MKR-125X140.5X5.9	125	140.5	5.9	6.30 +0.20 +0.00	125.00 -0.043 -0.106	140.50 +0.20 +0.00	75.90
MKR-130X145.5X5.9	130	145.5	5.9	6.30 +0.20 +0.00	130.00 -0.043 -0.106	145.50 +0.20 +0.00	76.48
MKR-140X155.5X5.9	140	155.5	5.9	6.30 +0.20 +0.00	140.00 -0.043 -0.106	155.50 +0.20 +0.00	73.01
MKR-150X165.5X5.9	150	165.5	5.9	6.30 +0.20 +0.00	150.00 -0.043 -0.106	165.50 +0.20 +0.00	81.55
MKR-160X175.5X5.9	160	175.5	5.9	6.30 +0.20 +0.00	160.00 -0.043 -0.106	175.50 +0.20 +0.00	83.92
MKR-160X180.5X8.1	160	180.5	7.9	8.10 +0.20 +0.00	160.00 -0.043 -0.106	180.50 +0.20 +0.00	91.51
MKR-170X185.5X5.9	170	185.5	5.9	6.30 +0.20 +0.00	170.00 -0.043 -0.106	185.50 +0.20 +0.00	103.18
MKR-170X190.5X8.1	170	190.5	7.9	8.10 +0.20 +0.00	170.00 -0.043 -0.106	190.50 +0.20 +0.00	113.32

STYLE MKR-U BUFFER SEALS

Style MKR-U seals are molded from Zurcon® Z52 urethane. This seal is designed to allow for back-pumping capabilities while improving wear resistance and decreasing friction. This seal can be used as a secondary seal or in tandem with a PTFE buffer seal.



SEAL INFORMATION	
MATERIAL	58D URETHANE BUFFER 70A NBR ENERGIZER
TEMPERATURE RANGE	-49° TO +212° F
PRESSURE RANGE	0 TO 3,600 (SINGLE)PSI 0 TO 8,700 (TANDEM) PSI
SPEED	1.6 FT/SEC

BUFFER SEALS

Part Number	A Nom. ID	B Nom. OD	C Nom. Ht	D GROOVE WIDTH	E ROD DIAMETER	G HOUSING DIAMETER	List Price
MKR-25X32.3X3U	25	32.3	3	3.20 +0.20 +0.00	25.00 -0.020 -0.053	32.30 +0.062 +0.000	\$77.04
MKR-25X35.7X4U	25	35.7	4	4.20 +0.20 +0.00	25.00 -0.020 -0.053	35.70 +0.062 +0.000	20.14
MKR-30X37.3X3U	30	37.3	3	3.20 +0.20 +0.00	30.00 -0.020 -0.053	37.30 +0.062 +0.000	21.33
MKR-32X42.7X4U	32	42.7	4	4.20 +0.20 +0.00	32.00 -0.025 -0.064	42.70 +0.062 +0.000	21.75
MKR-36X46.7X4U	36	46.7	4	4.20 +0.20 +0.00	36.00 -0.025 -0.064	46.70 +0.062 +0.000	22.65
MKR-40X50.7X4U	40	50.7	4	4.20 +0.20 +0.00	40.00 -0.025 -0.064	50.70 +0.074 +0.000	29.63
MKR-40X55.1X6U	40	55.1	6	6.30 +0.20 +0.00	40.00 -0.025 -0.064	55.10 +0.074 +0.000	33.83
MKR-45X60.1X6U	45	60.1	6	6.30 +0.20 +0.00	45.00 -0.025 -0.064	60.10 +0.074 +0.000	37.91
MKR-50X65.1X6U	50	65.1	6	6.30 +0.20 +0.00	50.00 -0.025 -0.064	65.10 +0.074 +0.000	42.30
MKR-55X70.1X6U	55	70.1	6	6.30 +0.20 +0.00	55.00 -0.030 -0.076	70.10 +0.074 +0.000	43.73
MKR-56X71.1X6U	56	71.1	6	6.30 +0.20 +0.00	56.00 -0.030 -0.076	71.10 +0.074 +0.000	46.93
MKR-60X75.1X6U	60	75.1	6	6.30 +0.20 +0.00	60.00 -0.030 -0.076	75.10 +0.074 +0.000	43.89
MKR-63X78.1X6U	63	78.1	6	6.30 +0.20 +0.00	63.00 -0.030 -0.076	78.10 +0.074 +0.000	45.93
MKR-70X85.1X6U	70	85.1	6	6.30 +0.20 +0.00	70.00 -0.030 -0.076	85.10 +0.087 +0.000	53.91
MKR-80X95.1X6U	80	95.1	6	6.30 +0.20 +0.00	80.00 -0.030 -0.076	95.10 +0.087 +0.000	65.03

STYLE MKR-U BUFFER SEALS



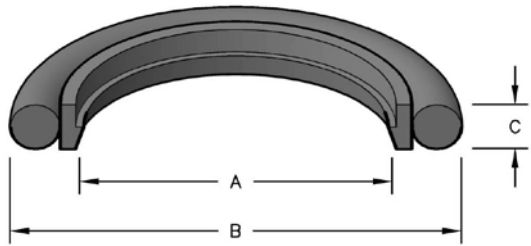
Part Number	A Nom. ID	B Nom. OD	C Nom. Ht	D GROOVE WIDTH	E ROD DIAMETER	G HOUSING DIAMETER	List Price
MKR-90X105.1X6U	90	105.1	6	6.30 ^{+0.20} / _{+0.00}	90.00 ^{-0.036} / _{-0.090}	105.10 ^{+0.087} / _{+0.000}	80.95
MKR-100X115.1X6U	100	115.1	6	6.30 ^{+0.20} / _{+0.00}	100.00 ^{-0.036} / _{-0.090}	115.10 ^{+0.087} / _{+0.000}	114.59
MKR-105X120.1X6U	105	120.1	6	6.30 ^{+0.20} / _{+0.00}	105.00 ^{-0.036} / _{-0.090}	120.10 ^{+0.10} / _{+0.00}	115.53
MKR-110X125.1X6U	110	125.1	6	6.30 ^{+0.20} / _{+0.00}	110.00 ^{-0.036} / _{-0.090}	125.10 ^{+0.10} / _{+0.00}	115.72
MKR-120X135.1X6U	120	135.1	6	6.30 ^{+0.20} / _{+0.00}	120.00 ^{-0.036} / _{-0.090}	135.10 ^{+0.10} / _{+0.00}	119.54
MKR-125X140.1X6U	125	140.1	6	6.30 ^{+0.20} / _{+0.00}	125.00 ^{-0.043} / _{-0.106}	140.10 ^{+0.10} / _{+0.00}	124.58
MKR-130X145.1X6U	130	145.1	6	6.30 ^{+0.20} / _{+0.00}	130.00 ^{-0.043} / _{-0.106}	145.10 ^{+0.10} / _{+0.00}	127.41
MKR-140X155.1X6U	140	155.1	6	6.30 ^{+0.20} / _{+0.00}	140.00 ^{-0.043} / _{-0.106}	155.10 ^{+0.10} / _{+0.00}	130.83
MKR-150X165.1X6U	150	165.1	6	6.30 ^{+0.20} / _{+0.00}	150.00 ^{-0.043} / _{-0.106}	165.10 ^{+0.10} / _{+0.00}	151.12
MKR-160X175.1X6U	160	175.1	6	6.30 ^{+0.20} / _{+0.00}	160.00 ^{-0.043} / _{-0.106}	175.10 ^{+0.10} / _{+0.00}	165.62
MKR-180X195.1X6U	180	195.1	6	6.30 ^{+0.20} / _{+0.00}	180.00 ^{-0.043} / _{-0.106}	195.10 ^{+0.115} / _{+0.000}	191.11

BUFFER SEALS

Seal color may vary. Special order sizes are available. Sizes not shown and out of stock items can also be ordered for next day delivery through Seals On Demand, our custom seal program. Please call your regional sales team for assistance.

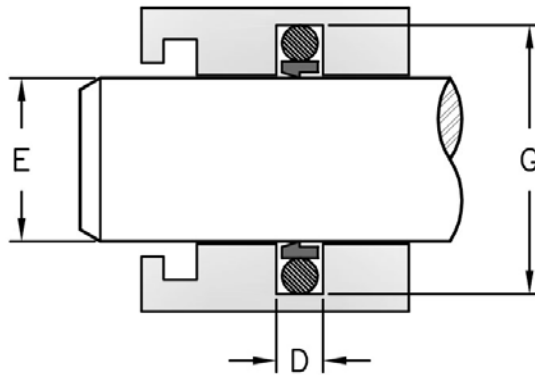
STYLE MKR-V BUFFER SEALS

Molded in bronze-filled PTFE with an FKM energizer, this seal is used to protect the primary seal from damage caused by pressure spikes and excessive heat build up.



HERCULES PART NUMBERS

MKR - 25 X 33 X 3
 Style Prefix Inside Diameter Outside Diameter Height



SEAL INFORMATION	
MATERIAL	BRONZE PTFE BUFFER, FKM ENERGIZER
TEMPERATURE RANGE	-20 +400° F
PRESSURE RANGE	0 TO 5,000 PSI
SPEED	12 FT/SEC

BUFFER SEALS

Part Number	A Nom. ID	B Nom. OD	C Nom. Ht	D GROOVE WIDTH	E ROD DIAMETER	G HOUSING DIAMETER	List Price
MKR-25X33X3.0V	25	33	3	3.20 ^{+0.20} / _{+0.00}	25.00 ^{-0.020} / _{-0.053}	33.00 ^{+0.20} / _{+0.00}	\$49.05
MKR-25X35.7X4V	25	35.7	4	4.20 ^{+0.20} / _{+0.00}	25.00 ^{-0.020} / _{-0.053}	35.70 ^{+0.20} / _{+0.00}	38.11
MKR-30X40.7X3.9V	30	40.7	3.9	4.20 ^{+0.20} / _{+0.00}	30.00 ^{-0.020} / _{-0.053}	40.70 ^{+0.20} / _{+0.00}	48.09
MKR-35X42.5X3V	35	42.5	3	3.20 ^{+0.20} / _{+0.00}	35.00 ^{-0.025} / _{-0.064}	42.50 ^{+0.20} / _{+0.00}	41.03
MKR-40X52.6X4V	40	52.6	4	4.20 ^{+0.20} / _{+0.00}	40.00 ^{-0.025} / _{-0.064}	52.60 ^{+0.20} / _{+0.00}	48.72
MKR-40X55.5X5.9V	40	55.5	5.9	6.30 ^{+0.20} / _{+0.00}	40.00 ^{-0.025} / _{-0.064}	55.50 ^{+0.20} / _{+0.00}	48.53
MKR-45X57.6X4V	45	57.6	4	4.20 ^{+0.20} / _{+0.00}	45.00 ^{-0.025} / _{-0.064}	57.60 ^{+0.20} / _{+0.00}	46.79
MKR-50X60X4.5V	50	60	4.5	4.80 ^{+0.20} / _{+0.00}	50.00 ^{-0.025} / _{-0.064}	60.00 ^{+0.20} / _{+0.00}	44.86
MKR-50X62.6X4V	50	62.6	4	4.20 ^{+0.20} / _{+0.00}	50.00 ^{-0.025} / _{-0.064}	62.60 ^{+0.20} / _{+0.00}	57.08
MKR-50X65.1X5.9-B5V	50	65.1	5.9	6.30 ^{+0.20} / _{+0.00}	50.00 ^{-0.025} / _{-0.064}	65.10 ^{+0.20} / _{+0.00}	128.51
MKR-50X65.5X5.9V	50	65.5	5.9	6.30 ^{+0.20} / _{+0.00}	50.00 ^{-0.025} / _{-0.064}	65.50 ^{+0.20} / _{+0.00}	34.30
MKR-56X68.6X4V	56	68.6	4	4.20 ^{+0.20} / _{+0.00}	56.00 ^{-0.030} / _{-0.076}	68.60 ^{+0.20} / _{+0.00}	57.24
MKR-60X75.5X5.9V	60	75.5	5.9	6.30 ^{+0.20} / _{+0.00}	60.00 ^{-0.030} / _{-0.076}	75.50 ^{+0.20} / _{+0.00}	57.24
MKR-63X75.6X3.9V	63	75.6	3.9	4.20 ^{+0.20} / _{+0.00}	63.00 ^{-0.030} / _{-0.076}	75.60 ^{+0.20} / _{+0.00}	41.55
MKR-63X78.1X5.9-B5V	63	78.1	5.9	6.30 ^{+0.20} / _{+0.00}	63.00 ^{-0.030} / _{-0.076}	78.10 ^{+0.20} / _{+0.00}	59.74

STYLE MKR-V BUFFER SEALS

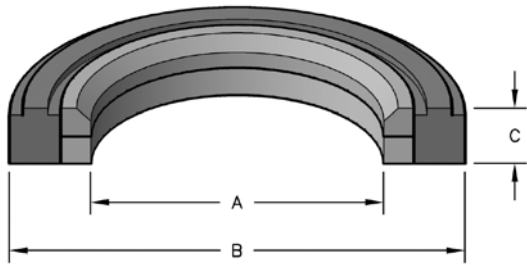


Part Number	A Nom. ID	B Nom. OD	C Nom. Ht	D GROOVE WIDTH	E ROD DIAMETER	G HOUSING DIAMETER	List Price
MKR-65X80.5X5.9V	65	80.5	5.9	6.30 +0.20 +0.00	65.00 -0.030 -0.076	80.50 +0.20 +0.00	55.18
MKR-70X81X4V	70	81	4	4.20 +0.20 +0.00	70.00 -0.030 -0.076	81.00 +0.20 +0.00	46.17
MKR-70X85.5X5.9V	70	85.5	5.9	6.30 +0.20 +0.00	70.00 -0.030 -0.076	85.50 +0.20 +0.00	64.10
MKR-75X90.5X5.9V	75	90.5	5.9	6.30 +0.20 +0.00	75.00 -0.030 -0.076	90.50 +0.20 +0.00	68.39
MKR-80X95.5X5.9V	80	95.5	5.9	6.30 +0.20 +0.00	80.00 -0.030 -0.076	95.50 +0.20 +0.00	73.70
MKR-85X100.5X5.9V	85	100.5	5.9	6.30 +0.20 +0.00	85.00 -0.036 -0.090	100.50 +0.20 +0.00	72.77
MKR-90X105.5X5.9V	90	105.5	5.9	6.30 +0.20 +0.00	90.00 -0.036 -0.090	105.50 +0.20 +0.00	80.03
MKR-95X110.5X5.9V	95	110.5	5.9	6.30 +0.20 +0.00	95.00 -0.036 -0.090	110.50 +0.20 +0.00	82.59
MKR-100X115.5X5.9V	100	115.5	5.9	6.30 +0.20 +0.00	100.00 -0.036 -0.090	115.50 +0.20 +0.00	83.91
MKR-105X120.5X5.9V	105	120.5	5.9	6.30 +0.20 +0.00	105.00 -0.036 -0.090	120.50 +0.20 +0.00	95.48
MKR-110X125.5X5.9V	110	125.5	5.9	6.30 +0.20 +0.00	110.00 -0.036 -0.090	125.50 +0.20 +0.00	99.67
MKR-115X130.5X5.9V	115	130.5	5.9	6.30 +0.20 +0.00	115.00 -0.036 -0.090	130.50 +0.20 +0.00	99.36
MKR-120X135.5X5.9V	120	135.5	5.9	6.30 +0.20 +0.00	120.00 -0.036 -0.090	135.50 +0.20 +0.00	99.84
MKR-130X145.5X5.9V	130	145.5	5.9	6.30 +0.20 +0.00	130.00 -0.043 -0.106	145.50 +0.20 +0.00	101.71
MKR-140X155.5X5.9V	140	155.5	5.9	6.30 +0.20 +0.00	140.00 -0.043 -0.106	155.50 +0.20 +0.00	97.11
MKR-150X165.5X5.9V	150	165.5	5.9	6.30 +0.20 +0.00	150.00 -0.043 -0.106	165.50 +0.20 +0.00	108.47
MKR-160X175.5X5.9V	160	175.5	5.9	6.30 +0.20 +0.00	160.00 -0.043 -0.106	175.50 +0.20 +0.00	111.61
MKR-170X185.5X5.9V	170	185.5	5.9	6.30 +0.20 +0.00	170.00 -0.043 -0.106	185.50 +0.20 +0.00	137.23

BUFFER SEALS

STYLE MNBR BUFFER SEALS

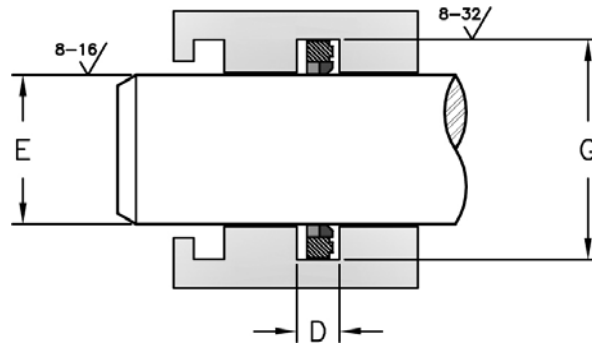
Molded in PTFE with a rubber energizer and nylon anti-extrusion ring, this seal absorbs the shock of pressure spikes to protect the rod seal.



HERCULES PART NUMBERS

MNBR - 55 X 70.5 X 5.9
 Type of Seal Inside Diameter Outside Diameter Height

SEAL INFORMATION	
MATERIAL	PTFE BUFFER 70A NBR ENERGIZER NYLON BACK-UP
TEMPERATURE RANGE	-40° TO +220° F
PRESSURE RANGE	0 TO 5,000 PSI
SPEED	3 FT/SEC



BUFFER SEALS

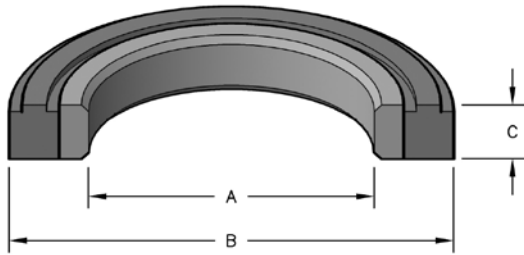
Part Number	A Nom. ID	B Nom. OD	C Nom. Ht	D GROOVE WIDTH	E ROD DIAMETER	G HOUSING DIAMETER	List Price
MNBR-55X70.5X5.9	55	70.5	5.9	6.30 +0.20 +0.00	55.00 -0.030 -0.076	70.50 +0.074 +0.000	\$71.26
MNBR-60X75.5X5.9	60	75.5	5.9	6.30 +0.20 +0.00	60.00 -0.030 -0.076	75.50 +0.074 +0.000	76.78
MNBR-65X80.5X5.9	65	80.5	5.9	6.30 +0.20 +0.00	65.00 -0.030 -0.076	80.50 +0.087 +0.000	82.23
MNBR-70X85.5X5.9	70	85.5	5.9	6.30 +0.20 +0.00	70.00 -0.030 -0.076	85.50 +0.087 +0.000	87.65
MNBR-75X90.5X5.9	75	90.5	5.9	6.30 +0.20 +0.00	75.00 -0.030 -0.076	90.50 +0.087 +0.000	93.14
MNBR-80X95.5X5.9	80	95.5	5.9	6.30 +0.20 +0.00	80.00 -0.030 -0.076	95.50 +0.087 +0.000	98.67
MNBR-85X100.5X5.9	85	100.5	5.9	6.30 +0.20 +0.00	85.00 -0.036 -0.090	100.50 +0.087 +0.000	104.15
MNBR-90X105.5X5.9	90	105.5	5.9	6.30 +0.20 +0.00	90.00 -0.036 -0.090	105.50 +0.087 +0.000	109.61
MNBR-95X110.5X5.9	95	110.5	5.9	6.30 +0.20 +0.00	95.00 -0.036 -0.090	110.50 +0.087 +0.000	115.03
MNBR-100X115.5X5.9	100	115.5	5.9	6.30 +0.20 +0.00	100.00 -0.036 -0.090	115.50 +0.087 +0.000	125.97
MNBR-105X120.5X5.9	105	120.5	5.9	6.30 +0.20 +0.00	105.00 -0.036 -0.090	120.50 +0.10 +0.00	131.45
MNBR-110X125.5X5.9	110	125.5	5.9	6.30 +0.20 +0.00	110.00 -0.036 -0.090	125.50 +0.10 +0.00	137.05
MNBR-115X130.5X5.9	115	130.5	5.9	6.30 +0.20 +0.00	115.00 -0.036 -0.090	130.50 +0.10 +0.00	142.49
MNBR-120X135.5X5.9	120	135.5	5.9	6.30 +0.20 +0.00	120.00 -0.036 -0.090	135.50 +0.10 +0.00	150.85

Seal color may vary. Special order sizes are available. Please call your regional sales team for assistance.

STYLE MSBR BUFFER SEALS



Molded in nylon with a rubber energizer, this seal absorbs the shock of pressure spikes and relieves back pressure by way of slots on the pressure side of the energizer.

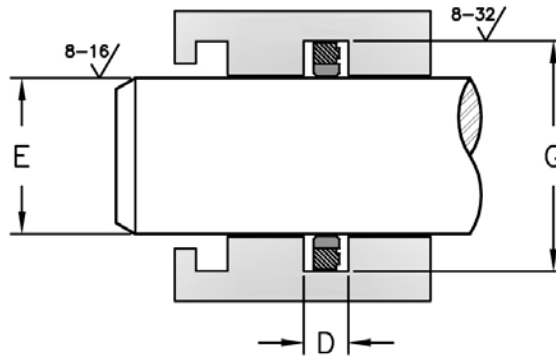


HERCULES PART NUMBERS

MSBR - 70 X 80 X 6.3

Type of Seal Inside Diameter Outside Diameter Height

SEAL INFORMATION	
MATERIAL	NYLON BUFFER 70A NITRILE ENERGIZER
TEMPERATURE RANGE	-40° TO +220° F
PRESSURE RANGE	0 TO 5,000 PSI
SPEED	3 FT/SEC



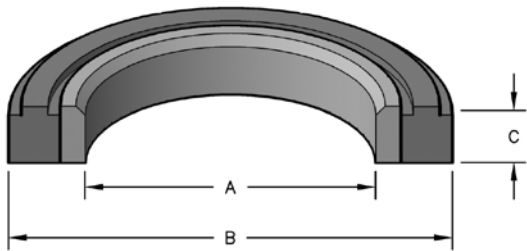
Part Number	A Nom. ID	B Nom. OD	C Nom. Ht	D GROOVE WIDTH	E ROD DIAMETER	G HOUSING DIAMETER	List Price
MSBR-75X85X6.3	75	85	5.9	6.30 +0.20 +0.00	75.00 -0.030 -0.076	85.00 +0.087 +0.000	\$36.19
MSBR-80X90X6.3	80	90	5.9	6.30 +0.20 +0.00	80.00 -0.030 -0.076	90.00 +0.087 +0.000	38.35
MSBR-85X95X6.3	85	95	5.9	6.30 +0.20 +0.00	85.00 -0.036 -0.090	95.00 +0.087 +0.000	40.43
MSBR-95X105X6.3	95	105	5.9	6.30 +0.20 +0.00	95.00 -0.036 -0.090	105.00 +0.087 +0.000	44.72
MSBR-100X110X6.3	100	110	5.9	6.30 +0.20 +0.00	100.00 -0.036 -0.090	110.00 +0.087 +0.000	48.94
MSBR-110X120X6.3	110	120	5.9	6.30 +0.20 +0.00	110.00 -0.036 -0.090	120.00 +0.087 +0.000	53.19

BUFFER SEALS

Seal color may vary. Special order sizes are available. Please call your regional sales team for assistance.

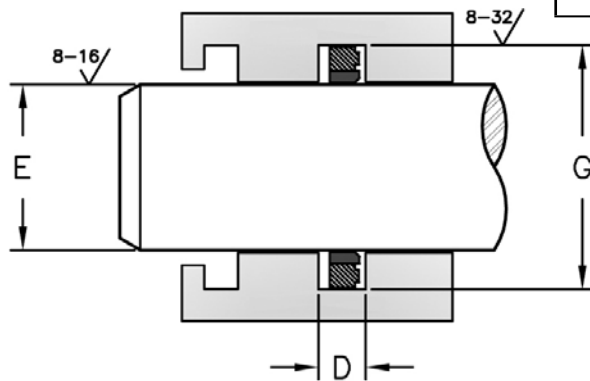
STYLE MYBR BUFFER SEALS

Molded in PTFE with a rubber energizer, this seal absorbs the shock of pressure spikes to protect the rod seal. This style relieves back pressure by way of slots on the pressure side of the energizer.



HERCULES PART NUMBERS

MYBR - 40 X 55.5 X 5.9
 Type of Seal Inside Diameter Outside Diameter Height



SEAL INFORMATION	
MATERIAL	FILLED PTFE BUFFER 70A NITRILE ENERGIZER
TEMPERATURE RANGE	-40° TO +220° F
PRESSURE RANGE	0 TO 5,000 PSI
SPEED	12 FT/SEC

BUFFER SEALS

Part Number	A Nom. ID	B Nom. OD	C Nom. Ht	D GROOVE WIDTH	E ROD DIAMETER	G HOUSING DIAMETER	List Price
MYBR-40X55.5X5.9	40	55.5	5.9	6.30 +0.20 +0.00	40.00 -0.025 -0.064	55.50 +0.074 +0.000	\$17.61
MYBR-45X60.5X5.9	45	60.5	5.9	6.30 +0.20 +0.00	45.00 -0.025 -0.064	60.50 +0.074 +0.000	19.01
MYBR-55X70.5X5.9	55	70.5	5.9	6.30 +0.20 +0.00	55.00 -0.030 -0.076	70.50 +0.074 +0.000	35.98
MYBR-60X75.5X5.9	60	75.5	5.9	6.30 +0.20 +0.00	60.00 -0.030 -0.076	75.50 +0.074 +0.000	38.87
MYBR-65X80.5X5.9	65	80.5	5.9	6.30 +0.20 +0.00	65.00 -0.030 -0.076	80.50 +0.087 +0.000	41.62
MYBR-70X85.5X5.9	70	85.5	5.9	6.30 +0.20 +0.00	70.00 -0.030 -0.076	85.50 +0.087 +0.000	44.43
MYBR-75X90.5X5.9	75	90.5	5.9	6.30 +0.20 +0.00	75.00 -0.030 -0.076	90.50 +0.087 +0.000	47.23
MYBR-80X95.5X5.9	80	95.5	5.9	6.30 +0.20 +0.00	80.00 -0.030 -0.076	95.50 +0.087 +0.000	49.97
MYBR-85X100.5X5.9	85	100.5	5.9	6.30 +0.20 +0.00	85.00 -0.036 -0.090	100.50 +0.087 +0.000	52.75
MYBR-90X105.5X5.9	90	105.5	5.9	6.30 +0.20 +0.00	90.00 -0.036 -0.090	105.50 +0.087 +0.000	55.53
MYBR-95X110.5X5.9	95	110.5	5.9	6.30 +0.20 +0.00	95.00 -0.036 -0.090	110.50 +0.087 +0.000	58.36
MYBR-100X115.5X5.9	100	115.5	5.9	6.30 +0.20 +0.00	100.00 -0.036 -0.090	115.50 +0.087 +0.000	63.85
MYBR-105X120.5X5.9	105	120.5	5.9	6.30 +0.20 +0.00	105.00 -0.036 -0.090	120.50 +0.10 +0.00	66.69
MYBR-110X125.5X5.9	110	125.5	5.9	6.30 +0.20 +0.00	110.00 -0.036 -0.090	125.50 +0.10 +0.00	69.46
MYBR-115X130.5X5.9	115	130.5	5.9	6.30 +0.20 +0.00	115.00 -0.036 -0.090	130.50 +0.10 +0.00	44.67

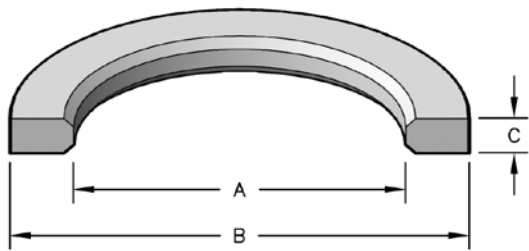
STYLE MYBR BUFFER SEALS



Part Number	A Nom. ID	B Nom. OD	C Nom. Ht	D GROOVE WIDTH	E ROD DIAMETER	G HOUSING DIAMETER	List Price
MYBR-120X135.5X5.9	120	135.5	5.9	6.30 ^{+0.20} / _{+0.00}	120.00 ^{-0.036} / _{-0.090}	135.50 ^{+0.10} / _{+0.00}	72.23
MYBR-125X140.5X5.9	125	140.5	5.9	6.30 ^{+0.20} / _{+0.00}	125.00 ^{-0.043} / _{-0.106}	140.50 ^{+0.10} / _{+0.00}	72.89
MYBR-130X145.5X5.9	130	145.5	5.9	6.30 ^{+0.20} / _{+0.00}	130.00 ^{-0.043} / _{-0.106}	145.50 ^{+0.10} / _{+0.00}	50.28
MYBR-140X155.5X5.9	140	155.5	5.9	6.30 ^{+0.20} / _{+0.00}	140.00 ^{-0.043} / _{-0.106}	155.50 ^{+0.10} / _{+0.00}	74.85
MYBR-150X165.5X5.9	150	165.5	5.9	6.30 ^{+0.20} / _{+0.00}	150.00 ^{-0.043} / _{-0.106}	165.50 ^{+0.10} / _{+0.00}	76.66
MYBR-160X175.5X5.9	160	175.5	5.9	6.30 ^{+0.20} / _{+0.00}	160.00 ^{-0.043} / _{-0.106}	175.50 ^{+0.10} / _{+0.00}	139.05
MYBR-180X200.5X7.5	180	200.5	7.5	8.10 ^{+0.20} / _{+0.00}	180.00 ^{-0.043} / _{-0.106}	200.50 ^{+0.115} / _{+0.000}	132.75

STYLE MIR BUFFER SEALS

Molded in polyurethane, this buffer seal is a simple flat, washer-like profile.



HERCULES PART NUMBERS

MIR - 25 X 33.6 X 2.3
 Type of Seal Inside Diameter Outside Diameter Height

SEAL INFORMATION

MATERIAL	URETHANE
TEMPERATURE RANGE	-40° TO +200° F
PRESSURE RANGE	0 TO 5,000 PSI
SPEED	3 FT/SEC

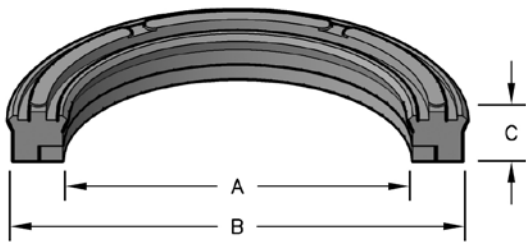
Part Number	A Nom. ID	B Nom. OD	C Nom. Ht	List Price
MIR-25X33.6X2.3	25	33.6	2.3	\$37.75
MIR-30X41X2.9	30	41	2.9	39.78
MIR-35X46X2.9	35	46	2.9	7.07
MIR-35X48X3	35	48	3	14.46
MIR-40X48X3	40	48	3	14.75
MIR-50X55.5X3.4-G2	50	55.5	3.4	39.18
MIR-50X58X2.9	50	58	2.9	13.96
MIR-50X62X3	50	62	3	10.17
MIR-50X62.6X4	50	62.6	4	16.28
MIR-56X68.6X4	56	68.6	4	17.21
MIR-56X70X3	56	70	3	17.21
MIR-56X73X4.8	56	73	4.8	16.64
MIR-60X72X3.4	60	72	3.4	17.27
MIR-63X80X4.7	63	80	4.7	17.86
MIR-65X77X3.2	65	77	3.2	17.07
MIR-65X78X4	65	78	4	19.92
MIR-70X83X4	70	83	4	21.51
MIR-70X83.5X3	70	83.5	3	20.33
MIR-70X84X3	70	84	3	21.51
MIR-70X85X4.3	70	85	4.3	17.46
MIR-75X88X4	75	88	4	16.55
MIR-75X90.6X4.3	75	90.6	4.3	18.43
MIR-80X93X4	80	93	4	23.93
MIR-80X95.6X4.3	80	95.6	4.3	18.92
MIR-90X104X4	90	104	4	18.50
MIR-100X113X4	100	113	4	24.10

FORMERLY LISTED REPAIR PARTS ARE AVAILABLE ONLINE AT WWW.HERCULESUS.COM
 OR BY CONTACTING YOUR REGIONAL HERCULES SALES TEAM.



STYLE MBRW BUFFER SEALS

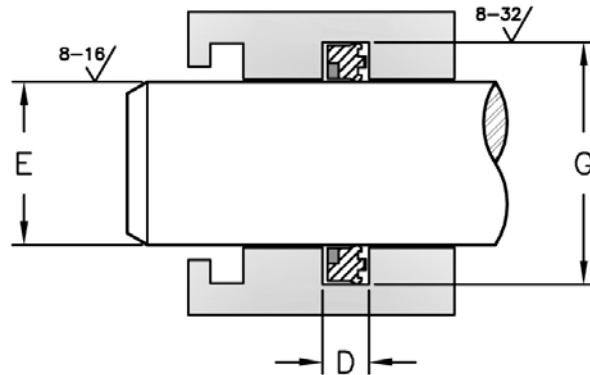
This compact rod seal is primarily used as a buffer seal and is often found in construction machinery cylinders. It was developed for use under extreme pressure and where pressure spikes up to 14000 psi are not uncommon.



HERCULES PART NUMBERS

MBRW - 60 X 75 X 8.5
 Type of Seal Inside Diameter Outside Diameter Height

SEAL INFORMATION	
MATERIAL	93A URETHANE
TEMPERATURE RANGE	-30 +230° F
PRESSURE RANGE	0 TO 7200 PSI
SPEED	1.5 FT/SEC



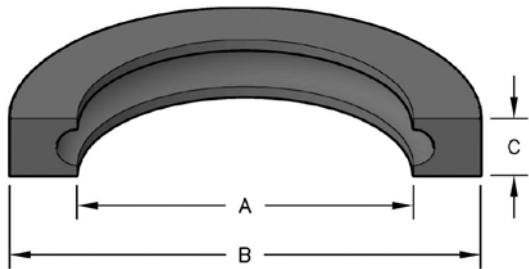
BUFFER SEALS

Part Number	A Nom. ID	B Nom. OD	C Nom. Ht	D GROOVE WIDTH	E ROD DIAMETER	G HOUSING DIAMETER	List Price
MBRW-60X75X8.5	60	75	8.5	9.50 ^{+0.20} / _{+0.00}	60.00 ^{-0.03} / _{-0.06}	75.00 ^{+0.19} / _{+0.00}	\$123.89
MBRW-70X85X8.5	70	85	8.5	9.50 ^{+0.20} / _{+0.00}	70.00 ^{-0.03} / _{-0.06}	85.00 ^{+0.22} / _{+0.00}	118.34
MBRW-80X95X8.5	80	95	8.5	9.50 ^{+0.20} / _{+0.00}	80.00 ^{-0.03} / _{-0.06}	95.00 ^{+0.22} / _{+0.00}	46.44
MBRW-90X105X8.5	90	105	8.5	9.50 ^{+0.20} / _{+0.00}	90.00 ^{-0.036} / _{-0.071}	105.00 ^{+0.22} / _{+0.00}	112.87
MBRW-100X120X11.4	100	120	11.4	12.50 ^{+0.20} / _{+0.00}	100.00 ^{-0.036} / _{-0.071}	120.00 ^{+0.22} / _{+0.00}	73.16
MBRW-110X130X11.4	110	130	11.4	12.50 ^{+0.20} / _{+0.00}	110.00 ^{-0.036} / _{-0.071}	130.00 ^{+0.25} / _{+0.00}	169.91
MBRW-120X140X11.4	120	140	11.4	12.50 ^{+0.20} / _{+0.00}	120.00 ^{-0.036} / _{-0.071}	140.00 ^{+0.25} / _{+0.00}	136.82
MBRW-130X150X14.5	130	150	14.5	16.00 ^{+0.20} / _{+0.00}	130.00 ^{-0.043} / _{-0.083}	150.00 ^{+0.25} / _{+0.00}	280.22
MBRW-140X160X14.5	140	160	14.5	16.00 ^{+0.20} / _{+0.00}	140.00 ^{-0.043} / _{-0.083}	160.00 ^{+0.25} / _{+0.00}	233.14
MBRW-160X180X14.5	160	180	14.5	16.00 ^{+0.20} / _{+0.00}	160.00 ^{-0.043} / _{-0.083}	180.00 ^{+0.25} / _{+0.00}	271.78
MBRW-180X205X14.5	180	205	14.5	16.00 ^{+0.20} / _{+0.00}	180.00 ^{-0.043} / _{-0.083}	205.00 ^{+0.29} / _{+0.00}	329.73
MBRW-200X225X14.5	200	225	14.5	16.00 ^{+0.20} / _{+0.00}	200.00 ^{-0.050} / _{-0.096}	225.00 ^{+0.29} / _{+0.00}	371.40

STYLE MUSW SWIVEL SEALS



Molded in polyurethane, these rotary pressure seals are specifically designed for use in hydraulic swivel joints.



HERCULES PART NUMBERS

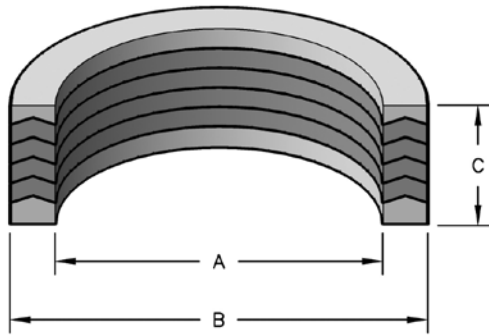
MUSW - 70 X 80 X 5
 Type of Seal Inside Diameter Outside Diameter Height

SEAL INFORMATION	
MATERIAL	92A URETHANE
TEMPERATURE RANGE	-50° TO +220° F
PRESSURE RANGE	0 TO 5,000 PSI
SPEED	3 FT/SEC

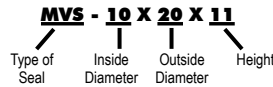
Part Number	A Nom. ID	B Nom. OD	C Nom. Ht	List Price
MUSW-70X80X5	70	80	5	\$51.35
MUSW-80X90X4.8	80	90	4.8	52.93
MUSW-90X100X4.8	90	100	4.8	62.24
MUSW-95X105X4.8	95	105	4.8	62.89
MUSW-100X110X4.8	100	110	4.8	75.11
MUSW-110X120X5	110	120	5	64.47
MUSW-115X125X5	115	125	5	65.00
MUSW-120X130X5	120	130	5	65.57

SWIVEL SEALS

STYLE MVS VEE PACKING



HERCULES PART NUMBERS



Construction Code Example: 1-5-1

- 1 - 1 Top Adaptor
- 5 - 5 Vee Rings
- 1 - 1 Bottom Adaptor

Suffix: EI = Top adapter has an internal anti-extrusion ring.
 DR = Dry-rod application. Pre-loaded male adapter.

SEAL INFORMATION

MATERIAL	FABRIC / RUBBER VEE RINGS FABRIC / RUBBER OR ACETAL ADAPTORS
TEMPERATURE RANGE	-35° TO +220° F
PRESSURE RANGE	0 TO 5,000 PSI
SPEED	1.5 FT/SEC



VEE PACKING

Part Number	A Nom. ID	B Nom. OD	C Nom. Ht	CONSTRUCTION T-V-B	List Price
MVS-35X45X17.5	35	45	17.5	1-4-1	\$37.30
MVS-10X20X11	10	20	11	1-2-1	77.58
MVS-20X30X13.5	20	30	13.5	1-3-1	52.57
MVS-20X30X18.5	20	30	17.5	1-5-1	29.62
MVS-20X31.5X17.5	20	31.5	17.5	1-3-1	99.50
MVS-20X32X20	20	32	20	1-2-1	34.03
MVS-20X32X22.5	20	32	22.5	1-5-1	34.49
MVS-25X37X22.5	25	37	22.5	1-5-1	35.36
MVS-25X40X11	25	40	11	1-1-1	34.94
MVS-28X40X22.5	28	40	22.5	1-5-1	29.62
MVS-30X42X22.5	30	42	22.5	1-5-1	53.24
MVS-30X45X22.5	30	45	22.5	1-3-1	59.00
MVS-32X44X22.5	32	44	22.5	1-5-1	40.88
MVS-35X47X22.5	35	47	22.5	1-5-1	40.88
MVS-35X50X11	35	50	11	1-1-1	24.30
MVS-35X50X22.5	35	50	22.5	1-3-1	80.36
MVS-36X48X22.5	36	48	22.5	1-5-1	44.62
MVS-36X51X22.5	36	51	22.5	1-5-1	49.95
MVS-36X51X25	36	51	25	1-5-1	75.08
MVS-40X50X16	40	50	16	1-3-1	61.51
MVS-40X50X17.3	40	50	17.3	1-3-1	80.36
MVS-40X50X20	40	50	20.5	1-5-1	162.07
MVS-40X52X22.5	40	52	22.5	1-5-1	56.15
MVS-40X55X22.6	40	55	22.6	1-3-2-1	80.36
MVS-40X55X24	40	55	24	1-5-1	88.97
MVS-40X56X17.6	40	56	17.6	1-3-1	80.36
MVS-42X54X22.5	42	54	22.5	1-5-1	40.00
MVS-45X55X16	45	55	16	1-3-1	64.40
MVS-45X60X22.5	45	60	22.5	1-5-1	153.95
MVS-45X60X22.5V	45	60	22.5	1-5-1	179.69
MVS-45X60X25	45	60	25	1-4-1	83.57
MVS-45X65X28	45	65	28	1-3-1	97.61
MVS-48X63X12.5	48	63	12.5	1-1-1	30.89
MVS-48X63X12.5V	48	63	12.5	1-1-1	158.86
MVS-50X65X16	50	65	16	0-3-1	50.01
MVS-50X65X22.5	50	65	22.5	1-3-1	114.71
MVS-50X65X22.5V	50	65	22.5	1-5-1	201.08
MVS-50X65X24.6	50	65	24.6	1-3-1	91.70

Part Number	A Nom. ID	B Nom. OD	C Nom. Ht	CONSTRUCTION T-V-B	List Price
MVS-50X70X30	50	70	30	1-3-1	151.09
MVS-50X70X35	50	70	35	1-3-1	177.52
MVS-55X70X22.5	55	70	22.5	1-3-1	50.32
MVS-55X70X26.5	55	70	25.5	1-3-1	97.51
MVS-55X75X26	55	75	26	1-3-1	89.72
MVS-56X71X16	56	71	16	0-3-1	52.33
MVS-56X71X22.5	56	71	22.5	1-3-1	97.51
MVS-56X71X22.5V	56	71	22.5	1-5-1	253.21
MVS-56X76X33	56	76	33	1-3-1	175.30
MVS-60X75X22.5	60	75	22.5	1-5-1	104.82
MVS-60X80X14.6	60	80	14.6	1-1-1	80.46
MVS-60X80X37	60	80	37	1-5-1	95.45
MVS-63X78X14	63	78	14	0-3-1	54.37
MVS-63X78X22.5	63	78	22.5	1-5-1	90.62
MVS-63X83X30DR	63	83	27	1-2-1	130.51
MVS-65X80X22.5	65	80	22.5	1-3-1	100.69
MVS-70X85X22.5	70	85	22.5	1-5-1	200.50
MVS-70X85X22.5V	70	85	22.5	1-5-1	263.81
MVS-70X85X25	70	85	25	1-5-1	187.20
MVS-70X90X30	70	90	30	1-3-1	124.73
MVS-70X90X35	70	90	35	1-4-1	69.19
MVS-70X90X40	70	90	40	1-5-1	133.94
MVS-75X90X22.5	75	90	22.5	1-5-1	90.80
MVS-75X95X40	75	95	40	1-5-1	139.94
MVS-80X95X22.5	80	95	22.5	1-3-1	123.97
MVS-80X100X20.5	80	100	20.5	1-1-1	58.57
MVS-80X100X20.6V	80	100	20.6	1-1-1	150.37
MVS-80X100X40	80	100	40	1-5-1	135.62
MVS-85X100X25	85	100	25	1-1-2-1	80.06
MVS-85X105X40	85	105	40	1-5-1	141.54
MVS-90X105X22.5	90	105	22.5	1-3-1	135.87
MVS-90X105X22.5V	90	105	22.5	1-3-1	569.72
MVS-90X110X30	90	110	30	1-3-1	152.01
MVS-90X110X40	90	110	40	1-5-1	190.53
MVS-95X120X33	95	120	33	1-3-1	165.97
MVS-100X115X30	100	115	30	1-3-1	135.87
MVS-100X120X30DR	100	120	28	1-3-1	228.05
MVS-100X120X40	100	120	39	1-5-1	182.83

STYLE MVS VEE PACKING



Part Number	A Nom. ID	B Nom. OD	C Nom. Ht	CONSTRUCTION T-V-B	List Price
MVS-100X125X25V	100	125	25	1-1-1	165.11
MVS-100X125X25.8	100	125	25.8	1-1-1	99.95
MVS-110X125X30	110	125	30	1-3-1	114.79
MVS-110X130X30DR	110	130	28	1-2-1	169.53
MVS-115X140X25	115	140	25	1-1-1	125.74
MVS-115X140X25V	115	140	25	1-1-1	171.75
MVS-120X145X46	120	145	46	1-5-1	216.29
MVS-125X140X34	125	140	34	1-5-1	225.89
MVS-130X160X28V	130	160	28	1-1-1	406.29
MVS-140X155X34	140	155	34	1-5-1	303.06
MVS-140X165X46	140	165	46	1-5-1	343.88
MVS-150X170X30	150	170	30	1-3-1	199.82
MVS-150X180X30.5	150	180	30.5	1-1-1	204.09
MVS-150X180X60	150	180	60	1-5-1	544.43
MVS-160X190X60	160	190	60	1-5-1	601.64
MVS-180X210X60	180	210	60	1-5-1	572.98
MVS-190X220X60	190	220	60	1-5-1	658.97
MVS-200X230X60	200	230	60	1-5-1	687.61
MVS-220X250X33.5	220	250	33.5	1-1-1	329.54

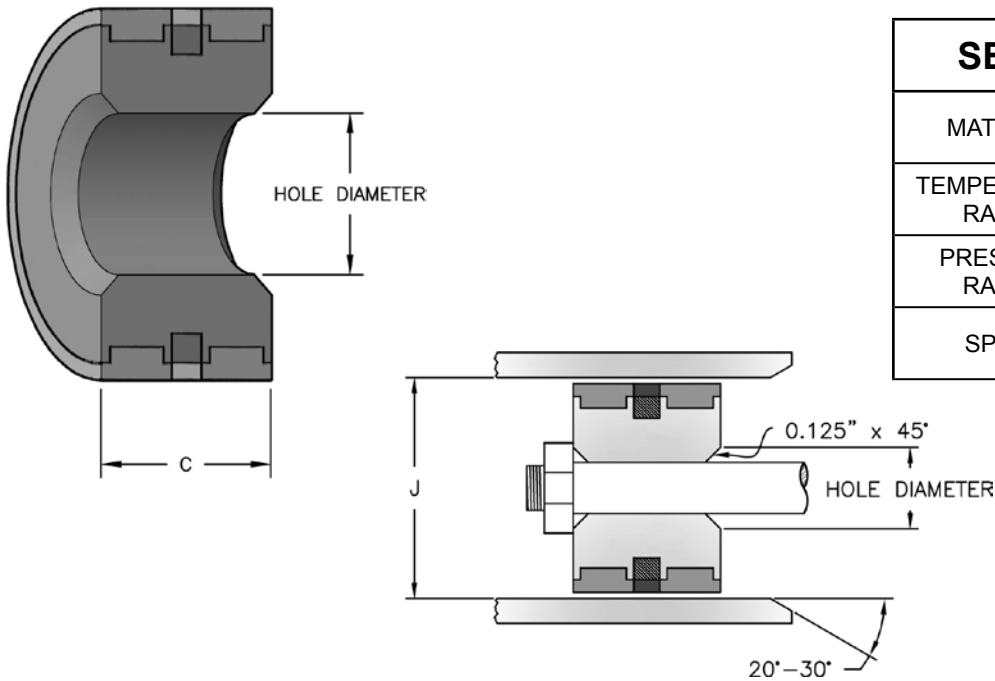
VEE PACKING

Seal color may vary. Special order sizes are available. Please call your regional sales team for assistance.



UNITIZED PISTONS FOR JOHN DEERE & NEW HOLLAND

The John Deere and New Holland Unitized Pistons are designed to handle a broad range of application parameters. The piston body is machined to exact dimensions and is constructed using four components: a high strength steel body, a non-metallic bearing, a rubber loading ring, and a filled PTFE seal ring. The non-metallic bearing is molded to the piston using a special proprietary process.



SEAL INFORMATION	
MATERIAL	STEEL, NYLON, NBR, PTFE
TEMPERATURE RANGE	-40° TO +230° F
PRESSURE RANGE	0 TO 5,000 PSI
SPEED	3 FT/SEC

UNITIZED PISTONS

Part Number	C WIDTH	I PISTON DIAMETER	J BORE DIAMETER	HOLE DIAMETER	COUNTERBORE DIAMETER	COUNTERBORE DEPTH	List Price
JD-AH138200	31.24	49.96	50.00	16.56	25.01 ±0.051	10.01 ±0.25	\$167.98
JD-AH233516	31.24	49.96	50.00	16.56	32.02 ±0.051	10.01 ±0.25	233.64
JD-AH174930	31.24	49.96	50.00	20.55	32.02 ±0.051	10.01 ±0.25	221.91
JD-AH135785	31.24	55.88	56.00	16.59	25.01 ±0.051	10.01 ±0.25	221.03
JD-AH142159	31.24	62.97	63.00	20.57	32.02 ±0.051	10.01 ±0.25	170.29
JD-RE29383	31.24	62.97	63.00	22.20	N/A	N/A	215.14
JD-AH137177	31.24	62.97	63.00	22.58	40.01 ±0.051	10.01 ±0.25	213.24
JD-AH160647	31.24	62.97	63.00	22.58	45.02 ±0.051	10.01 ±0.25	213.24
JD-AH166138	31.24	62.97	63.00	22.58	36.00 ±0.051	10.01 ±0.25	207.30
JD-AH228448	31.24	62.97	63.00	24.56	36.00 ±0.051	10.01 ±0.25	126.27
JD-AH172352	36.25	69.85	70.00	22.58	36.00 ±0.051	14.99 ±0.25	218.08
JD-AH158623	36.25	69.85	70.00	24.56	40.01 ±0.051	14.99 ±0.25	170.93
JD-RE34084	36.25	69.85	70.00	24.56	45.01 ±0.051	14.99 ±0.25	309.46
JD-AHC10478	40.75	69.97	70.00	24.56	N/A	N/A	191.38
JD-AH165962	36.25	69.85	70.00	27.58	45.01 ±0.051	14.99 ±0.25	309.46
JD-AH227867	36.25	69.85	70.00	27.58	40.01 ±0.051	14.02 ±0.13	229.48
NH-83962807	29.08	79.86	80.00	24.26	40.11 ±0.051	10.01 ±0.25	189.39
NH-87432513	29.08	79.86	80.00	24.26	50.09 ±0.051	14.99 ±0.25	189.39
JD-AH139078	29.08	79.86	80.00	24.56	40.01 ±0.051	9.50 ±0.25	274.96
JD-AH165826	40.74	79.86	80.00	27.58	50.00 ±0.051	14.99 ±0.25	203.43
JD-RE33968	40.74	79.86	80.00	27.58	45.01 ±0.051	19.51 ±0.25	261.10
JD-RE34085	40.74	79.86	80.00	27.58	40.01 ±0.051	19.51 ±0.25	203.43
JD-AH173410	40.74	79.86	80.00	30.58	50.00 ±0.051	14.99 ±0.25	256.39
NH-85800981	29.08	89.87	90.00	24.26	50.09 ±0.051	14.99 ±0.25	210.44
JD-AH169827	45.75	89.87	90.00	26.09	56.02 ±0.051	19.99 ±0.25	338.94
JD-AH136453	45.75	89.87	90.00	27.58	45.02 ±0.051	19.99 ±0.25	353.67
JD-AHC11073	40.13	89.97	90.00	30.58	50.01 ±0.025	14.50 ±0.25	324.11

UNITIZED PISTONS FOR JOHN DEERE & NEW HOLLAND



Part Number	C WIDTH	I PISTON DIAMETER	J BORE DIAMETER	HOLE DIAMETER	COUNTERBORE DIAMETER	COUNTERBORE DEPTH	List Price
JD-AH141183	45.75	89.87	90.00	30.58	50.01 ±0.025	19.99 ^{+0.25} _{-0.23}	314.34
JD-AH169436	45.75	89.87	90.00	30.58	45.02 ±0.051	19.99 ±0.25	456.79
JD-AH205060	45.75	89.87	90.00	30.58	50.01 ±0.025	19.99 ^{+0.25} _{-0.23}	314.34
JD-AH169826	45.75	99.97	100.00	26.09	50.00 ±0.051	19.99 ±0.25	545.21
JD-AHC10806	40.13	99.97	100.00	30.58	50.01 ±0.025	14.50 ±0.25	409.33
JD-AH159034	45.75	99.97	100.00	30.58	50.00 ±0.051	19.99 ±0.25	522.78
JD-AH205062	45.75	99.97	100.00	30.58	50.00 ±0.051	19.99 ±0.25	522.78
NH-85800982	41.28	99.87	100.00	30.78	56.10 ±0.051	13.97 ±0.25	311.25
JD-AH166637	45.75	99.97	100.00	33.63	56.02 ±0.051	19.99 ±0.25	559.96
JD-AH164620	45.75	99.97	100.00	33.83	50.00 ±0.051	19.99 ±0.25	412.59
NH-81875232	45.09	109.88	110.00	30.25	50.09 ±0.051	9.91 ±0.25	303.85
JD-AHC10777	40.13	114.99	115.00	30.58	50.01 ±0.025	14.50 ±0.25	491.20
NH-85800983	40.31	114.86	115.00	33.76	63.09 ±0.051	10.01 ±0.25	309.42
NH-87611074	40.31	114.86	115.00	33.76	63.09 ±0.051	10.01 ±0.25	309.42
JD-AH168884	45.75	114.96	115.00	36.63	56.02 ±0.051	19.99 ±0.25	456.79
JD-AH167446	55.25	124.97	125.00	36.63	63.00 ±0.051	19.99 ±0.25	663.10
JD-AH173851	63.53	152.32	152.00	42.52	70.00 ^{+0.050} _{-0.025}	38.00 ±0.25	906.55

UNITIZED PISTONS

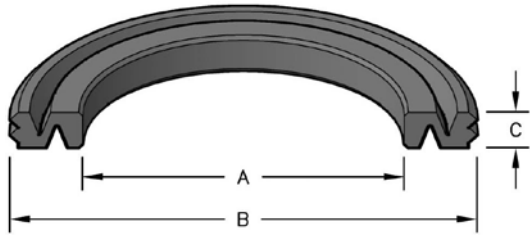
Seal color may vary. Special order sizes are available. Please call your regional sales team for assistance.

FORMERLY LISTED REPAIR PARTS ARE AVAILABLE ONLINE AT WWW.HERCULESUS.COM
OR BY CONTACTING YOUR REGIONAL HERCULES SALES TEAM.



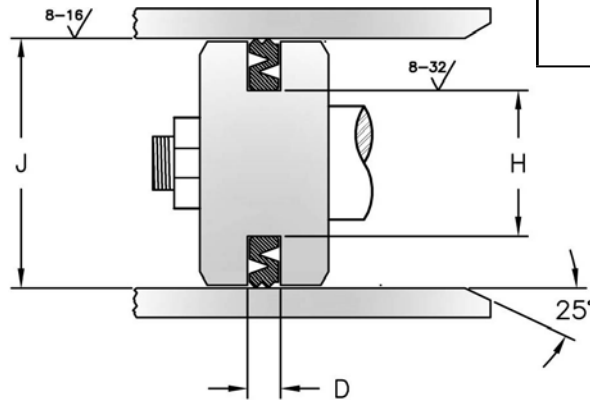
STYLE MPK54 PISTON SEALS

MPK54 is designed as a piston seal suitable for pneumatic cylinders and valves. MPK54 seals are useful in short stroke applications because of its ease of assembly and low friction capabilities.



HERCULES PART NUMBERS

MPK54 - 012
Type of Seal Outside Diameter



SEAL INFORMATION	
MATERIAL	70A NBR
TEMPERATURE RANGE	-20° TO +220° F
PRESSURE RANGE	0 TO 175 PSI
SPEED	3 FT/SEC

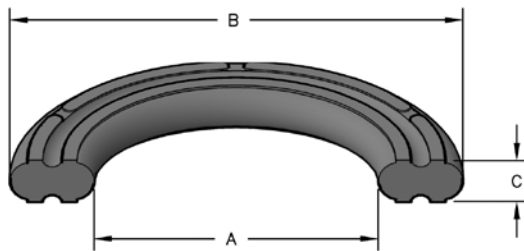
PISTON SEAL ASSEMBLIES

Part Number	A Nom. ID	B Nom. OD	C Nom. Ht	D GROOVE WIDTH	H GROOVE DIAMETER	J BORE DIAMETER	List Price
MPK54-012	7	12	2	2.50 ^{+0.20} / _{+0.00}	7.00 ^{+0.000} / _{-0.036}	12.00 ^{+0.11} / _{+0.00}	\$3.61
MPK54-016	9	16	2.1	2.50 ^{+0.20} / _{+0.00}	9.00 ^{+0.000} / _{-0.036}	16.00 ^{+0.11} / _{+0.00}	4.29
MPK54-020	13	20	2.1	2.50 ^{+0.20} / _{+0.00}	13.00 ^{+0.000} / _{-0.043}	20.00 ^{+0.13} / _{+0.00}	4.76
MPK54-025	18	25	2.1	2.50 ^{+0.20} / _{+0.00}	18.00 ^{+0.000} / _{-0.043}	25.00 ^{+0.13} / _{+0.00}	5.68
MPK54-028	19	28	2.5	3.00 ^{+0.20} / _{+0.00}	19.00 ^{+0.000} / _{-0.052}	28.00 ^{+0.13} / _{+0.00}	5.79
MPK54-030	21	30	2.5	3.00 ^{+0.20} / _{+0.00}	21.00 ^{+0.000} / _{-0.052}	30.00 ^{+0.13} / _{+0.00}	5.79
MPK54-032	23	32	2.5	3.00 ^{+0.20} / _{+0.00}	23.00 ^{+0.000} / _{-0.052}	32.00 ^{+0.16} / _{+0.00}	6.15
MPK54-035	26	35	2.5	3.00 ^{+0.20} / _{+0.00}	26.00 ^{+0.000} / _{-0.052}	35.00 ^{+0.16} / _{+0.00}	6.42
MPK54-040	31	40	2.5	3.00 ^{+0.20} / _{+0.00}	31.00 ^{+0.000} / _{-0.062}	40.00 ^{+0.16} / _{+0.00}	6.83
MPK54-045	36	45	2.5	3.00 ^{+0.20} / _{+0.00}	36.00 ^{+0.000} / _{-0.062}	45.00 ^{+0.16} / _{+0.00}	7.57
MPK54-050	41	50	2.5	3.00 ^{+0.20} / _{+0.00}	41.00 ^{+0.000} / _{-0.062}	50.00 ^{+0.16} / _{+0.00}	8.50
MPK54-060	44	60	3.4	4.00 ^{+0.20} / _{+0.00}	44.00 ^{+0.000} / _{-0.062}	60.00 ^{+0.19} / _{+0.00}	9.48
MPK54-063	51	63	3.4	4.00 ^{+0.20} / _{+0.00}	51.00 ^{+0.000} / _{-0.074}	63.00 ^{+0.19} / _{+0.00}	9.66
MPK54-070	58	70	3.4	4.00 ^{+0.20} / _{+0.00}	58.00 ^{+0.000} / _{-0.074}	70.00 ^{+0.19} / _{+0.00}	10.27
MPK54-080	68	80	3.4	4.00 ^{+0.20} / _{+0.00}	68.00 ^{+0.000} / _{-0.074}	80.00 ^{+0.19} / _{+0.00}	11.30
MPK54-100	88	100	3.4	4.00 ^{+0.20} / _{+0.00}	88.00 ^{+0.000} / _{-0.087}	100.00 ^{+0.22} / _{+0.00}	12.47
MPK54-125	110	125	4.4	5.00 ^{+0.20} / _{+0.00}	110.00 ^{+0.000} / _{-0.087}	125.00 ^{+0.25} / _{+0.00}	16.36

STYLE MPK62 PISTON SEALS

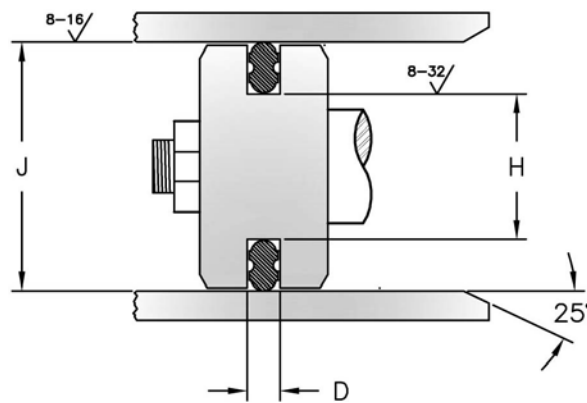


MPK62 is a double-acting pneumatic piston seal designed to work in low axial height housings. The solid body molded in 70 durometer nitrile provides superior low-pressuring sealing.



HERCULES PART NUMBERS

MPK62 - 032
 Style Prefix Bore Diameter



SEAL INFORMATION	
MATERIAL	70A NBR
TEMPERATURE RANGE	-20° TO +220° F
PRESSURE RANGE	0 TO 175 PSI
SPEED	3 FT/SEC

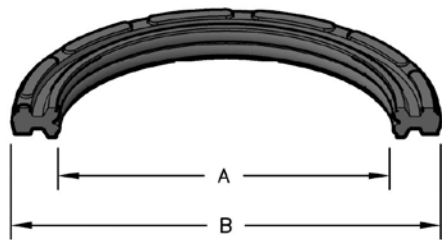
Part Number	A Nom. ID	B Nom. OD	C Nom. Ht	D GROOVE WIDTH	H GROOVE DIAMETER	J BORE DIAMETER	List Price
MPK62-032	24	32	3.2	3.20 +0.20 +0.00	24.00 +0.000 -0.052	32.00 +0.16 +0.00	\$10.94
MPK62-040	32	40	3.2	3.20 +0.20 +0.00	32.00 +0.000 -0.062	40.00 +0.16 +0.00	11.95
MPK62-042	34	42	3.2	3.20 +0.20 +0.00	34.00 +0.000 -0.062	42.00 +0.16 +0.00	12.44
MPK62-050	40	50	4	4.00 +0.20 +0.00	40.00 +0.000 -0.062	50.00 +0.16 +0.00	15.85
MPK62-060	50	60	4	4.00 +0.20 +0.00	50.00 +0.000 -0.062	60.00 +0.19 +0.00	16.27
MPK62-063	53	63	4	4.00 +0.20 +0.00	53.00 +0.000 -0.074	63.00 +0.19 +0.00	17.76
MPK62-080	65	80	6	6.00 +0.20 +0.00	65.00 +0.000 -0.074	80.00 +0.19 +0.00	20.77
MPK62-100	85	100	6	6.00 +0.20 +0.00	85.00 +0.000 -0.087	100.00 +0.22 +0.00	23.11
MPK62-125	110	125	6	6.00 +0.20 +0.00	110.00 +0.000 -0.087	125.00 +0.25 +0.00	23.66
MPK62-140	125	140	6	6.00 +0.20 +0.00	125.00 +0.00 -0.10	140.00 +0.25 +0.00	24.23

PISTON SEAL ASSEMBLIES



STYLE MAPA PISTON SEALS

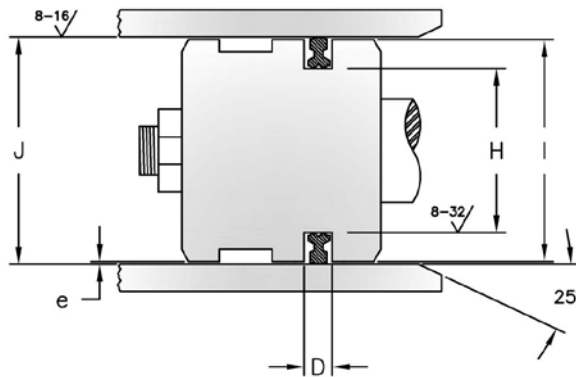
MAPA is a double-acting pneumatic piston seal designed to work with thin-type pistons. This design reduces damage caused by twisting and rolling.



HERCULES PART NUMBERS

MAPA - 22 X 30 X 3
Type of Seal Inside Diameter Outside Diameter Height

SEAL INFORMATION	
MATERIAL	80 NBR
TEMPERATURE RANGE	-30° TO +248° F
PRESSURE RANGE	0 TO 142 PSI
SPEED	3 FT/SEC



PISTON SEAL ASSEMBLIES

Part Number	A Nom. ID	B Nom. OD	C Nom. Ht	D GROOVE WIDTH	H GROOVE DIAMETER	J BORE DIAMETER	List Price
MAPA-22X30X3	22	30	3	3.20 ^{+0.20} / _{+0.00}	22.00 ^{+0.000} / _{-0.033}	30.00 ^{+0.052} / _{+0.000}	\$ 10.45
MAPA-24X32X3	24	32	3	3.20 ^{+0.20} / _{+0.00}	24.00 ^{+0.000} / _{-0.033}	32.00 ^{+0.062} / _{+0.000}	10.94
MAPA-32X40X3	32	40	3	3.20 ^{+0.20} / _{+0.00}	32.00 ^{+0.000} / _{-0.039}	40.00 ^{+0.062} / _{+0.000}	11.95
MAPA-40X50X3.8	40	50	3.8	4.00 ^{+0.20} / _{+0.00}	40.00 ^{+0.000} / _{-0.039}	50.00 ^{+0.062} / _{+0.000}	15.48
MAPA-53X63X3.8	53	63	3.8	4.00 ^{+0.20} / _{+0.00}	53.00 ^{+0.000} / _{-0.046}	63.00 ^{+0.074} / _{+0.000}	16.73
MAPA-65X80X5.7	65	80	5.7	6.00 ^{+0.20} / _{+0.00}	65.00 ^{+0.000} / _{-0.046}	80.00 ^{+0.074} / _{+0.000}	21.88
MAPA-85X100X5.7	85	100	5.7	6.00 ^{+0.20} / _{+0.00}	85.00 ^{+0.000} / _{-0.054}	100.00 ^{+0.087} / _{+0.000}	23.11
MAPA-110X125X5.7	110	125	5.7	6.00 ^{+0.20} / _{+0.00}	110.00 ^{+0.000} / _{-0.054}	125.00 ^{+0.10} / _{+0.00}	24.29

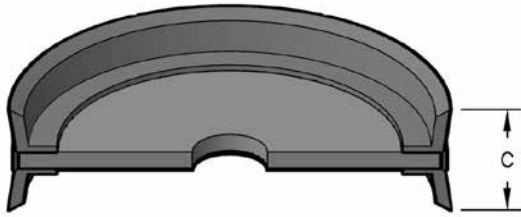
STYLE PU-TDA & PU-TDMA PISTON SEALS

View the complete PU-TDA & PU-TDMA product lines online at www.HerculesUS.com or contact a Hercules Sales Representative for Assistance.

STYLE MDPC PISTON SEALS



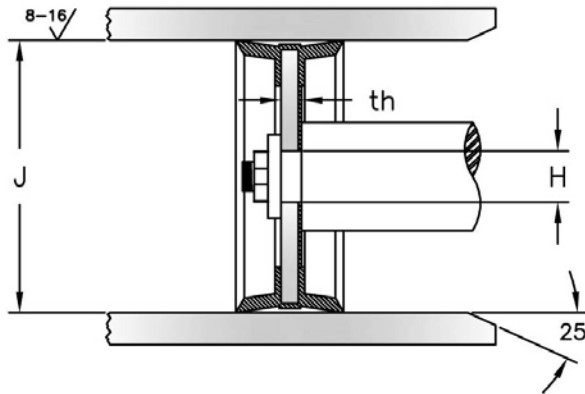
MDPC is a complete double-acting piston constructed of a steel plate bonded to nitrile rubber sealing lips. Pneumatic applications to 230 psi pressure.



HERCULES PART NUMBERS

MDPC - 020
 Type of Seal Bore Diameter

SEAL INFORMATION	
MATERIAL	75A NBR
TEMPERATURE RANGE	-22° TO +220° F
PRESSURE RANGE	0 TO 230 PSI
SPEED	3 FT/SEC



Part Number	J BORE DIAMETER	H HOLE SIZE	C LIP HEIGHT	th THICKNESS	List Price
MDPC-020	20.00 ^{+0.13} / _{+0.00}	5.20 ^{+0.00} / _{-0.03}	8.00	3.00	\$9.58
MDPC-025	25.00 ^{+0.13} / _{+0.00}	8.00 ^{+0.000} / _{-0.036}	12.00	4.00	9.58
MDPC-032	32.00 ^{+0.16} / _{+0.00}	8.00 ^{+0.000} / _{-0.036}	15.00	4.00	11.39
MDPC-040	40.00 ^{+0.16} / _{+0.00}	10.00 ^{+0.000} / _{-0.036}	18.00	5.00	14.37
MDPC-050	50.00 ^{+0.16} / _{+0.00}	10.00 ^{+0.000} / _{-0.036}	18.00	5.00	16.55
MDPC-050A	50.00 ^{+0.16} / _{+0.00}	16.00 ^{+0.000} / _{-0.043}	20.50	4.00	18.62
MDPC-063	63.00 ^{+0.19} / _{+0.00}	12.00 ^{+0.000} / _{-0.043}	22.00	6.00	21.14
MDPC-070	70.00 ^{+0.19} / _{+0.00}	12.00 ^{+0.000} / _{-0.043}	22.00	6.00	26.84
MDPC-080	80.00 ^{+0.19} / _{+0.00}	16.00 ^{+0.000} / _{-0.043}	22.50	5.00	30.85
MDPC-080A	80.00 ^{+0.19} / _{+0.00}	16.00 ^{+0.000} / _{-0.043}	25.00	6.50	29.82
MDPC-090	90.00 ^{+0.22} / _{+0.00}	16.00 ^{+0.000} / _{-0.043}	25.00	6.50	38.03
MDPC-100	100.00 ^{+0.22} / _{+0.00}	16.00 ^{+0.000} / _{-0.043}	25.00	6.50	40.60
MDPC-100A	100.00 ^{+0.22} / _{+0.00}	20.00 ^{+0.000} / _{-0.052}	25.00	5.00	40.44
MDPC-125	125.00 ^{+0.25} / _{+0.00}	20.00 ^{+0.000} / _{-0.052}	30.00	10.00	74.87

Part Number	J BORE DIAMETER	H HOLE SIZE	C LIP HEIGHT	th THICKNESS	List Price
MDPC-150	150.00 ^{+0.25} / _{+0.00}	20.00 ^{+0.000} / _{-0.052}	30.00	12.00	114.79
MDPC-160	160.00 ^{+0.25} / _{+0.00}	27.00 ^{+0.000} / _{-0.052}	31.00	12.00	127.63
MDPC-180	180.00 ^{+0.25} / _{+0.00}	27.00 ^{+0.000} / _{-0.052}	31.00	12.00	166.48
MDPC-200	200.00 ^{+0.29} / _{+0.00}	20.00 ^{+0.000} / _{-0.052}	35.00	12.00	196.08
MDPC-200B	200.00 ^{+0.29} / _{+0.00}	27.00 ^{+0.000} / _{-0.052}	35.00	15.00	195.66
MDPC-250	250.00 ^{+0.29} / _{+0.00}	30.00 ^{+0.000} / _{-0.052}	35.00	16.50	242.39

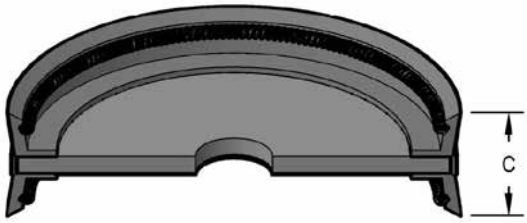
Seal color may vary. Special order sizes are available. Please call your regional sales team for assistance.

FORMERLY LISTED REPAIR PARTS ARE AVAILABLE ONLINE AT WWW.HERCULESUS.COM
 OR BY CONTACTING YOUR REGIONAL HERCULES SALES TEAM.

PISTON SEAL ASSEMBLIES

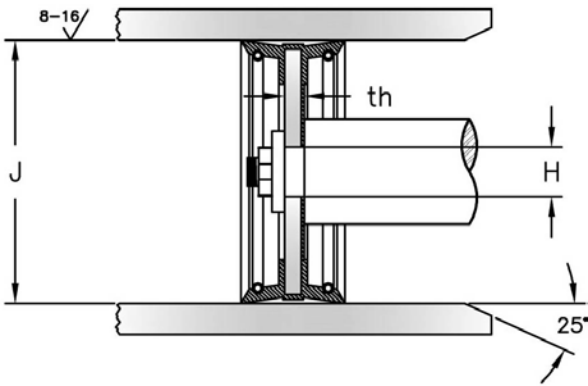
STYLE MDPCS PISTON SEALS

MDPCS is a double-acting complete piston seal constructed of a steel plate bonded to nitrile rubber sealing lips and spring energized for low-pressure sealing. Pneumatic applications to 230 psi pressure. Hydraulic pressure limits range from 175 to 870 psi, depending on size.



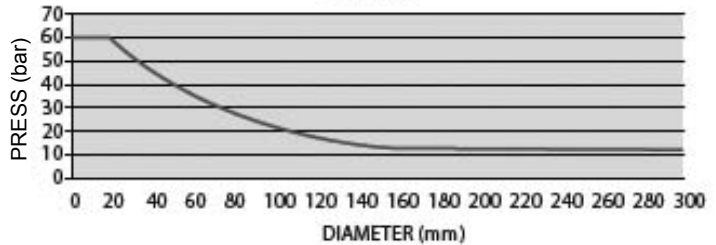
HERCULES PART NUMBERS

MDPCS - 030
 ↓ ↓
 Type of Seal Bore Diameter



SEAL INFORMATION	
MATERIAL	90A NBR
TEMPERATURE RANGE	- 22° TO +220° F
PRESSURE RANGE	MAX 175 TO 870 PSI
SPEED	3 FT/SEC

DIAGRAM



PISTON SEAL ASSEMBLIES

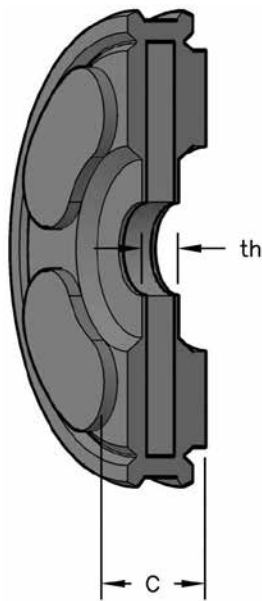
Part Number	J BORE DIAMETER	H HOLE SIZE	C LIP HEIGHT	th THICKNESS	List Price
MDPCS-030	30.00 +0.13 / +0.00	8.00 +0.000 / -0.036	22.00	3.50	\$13.21
MDPCS-032	32.00 +0.16 / +0.00	8.00 +0.000 / -0.036	25.00	3.50	13.66
MDPCS-035	35.00 +0.16 / +0.00	8.00 +0.000 / -0.036	18.00	3.00	16.35
MDPCS-038	38.00 +0.16 / +0.00	8.00 +0.000 / -0.036	25.00	3.50	16.74
MDPCS-040A	40.00 +0.16 / +0.00	10.00 +0.000 / -0.036	25.00	3.50	16.74
MDPCS-045	45.00 +0.16 / +0.00	10.00 +0.000 / -0.036	25.00	4.50	17.99
MDPCS-050A	50.00 +0.16 / +0.00	16.00 +0.000 / -0.043	23.00	4.00	19.40
MDPCS-050	50.00 +0.16 / +0.00	10.00 +0.000 / -0.036	25.00	4.50	19.34
MDPCS-055	55.00 +0.19 / +0.00	10.00 +0.000 / -0.036	25.00	4.50	21.62
MDPCS-060C	60.00 +0.19 / +0.00	21.00 +0.000 / -0.052	26.00	4.00	23.77
MDPCS-060A	60.00 +0.19 / +0.00	12.00 +0.000 / -0.043	27.00	4.00	22.89
MDPCS-063A	63.00 +0.19 / +0.00	12.00 +0.000 / -0.043	25.00	4.50	26.65
MDPCS-065	65.00 +0.19 / +0.00	12.00 +0.000 / -0.043	25.00	4.50	26.61
MDPCS-070	70.00 +0.19 / +0.00	12.00 +0.000 / -0.043	30.00	5.90	31.24
MDPCS-075	75.00 +0.19 / +0.00	12.00 +0.000 / -0.043	30.00	5.90	33.69

Part Number	J BORE DIAMETER	H HOLE SIZE	C LIP HEIGHT	th THICKNESS	List Price
MDPCS-080	80.00 +0.19 / +0.00	12.00 +0.000 / -0.043	30.00	5.90	36.17
MDPCS-090	90.00 +0.22 / +0.00	12.00 +0.000 / -0.043	35.00	7.10	44.45
MDPCS-100	100.00 +0.22 / +0.00	12.00 +0.000 / -0.043	35.00	7.10	47.58
MDPCS-110	110.00 +0.22 / +0.00	12.00 +0.000 / -0.043	40.00	7.00	79.93
MDPCS-120	120.00 +0.22 / +0.00	20.00 +0.000 / -0.052	40.00	8.00	92.18
MDPCS-125	125.00 +0.25 / +0.00	20.00 +0.000 / -0.052	40.00	9.00	98.59
MDPCS-125A	125.00 +0.25 / +0.00	30.00 +0.000 / -0.052	40.00	8.00	103.08
MDPCS-130	130.00 +0.25 / +0.00	20.00 +0.000 / -0.052	40.00	9.00	117.80
MDPCS-145	145.00 +0.25 / +0.00	20.00 +0.000 / -0.052	45.00	11.00	136.40
MDPCS-150	150.00 +0.25 / +0.00	20.00 +0.000 / -0.052	40.00	11.00	144.29
MDPCS-160	160.00 +0.25 / +0.00	20.00 +0.000 / -0.052	40.00	11.00	160.51
MDPCS-200	200.00 +0.29 / +0.00	20.00 +0.000 / -0.052	40.00	11.00	246.33
MDPCS-230	230.00 +0.29 / +0.00	30.00 +0.000 / -0.052	40.00	13.00	305.65
MDPCS-250	250.00 +0.29 / +0.00	30.00 +0.000 / -0.052	40.00	13.00	343.15

STYLE MDPC-57 PISTON SEALS



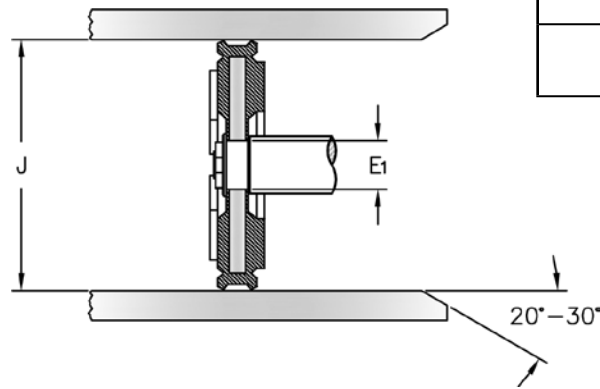
This double-acting piston seal consists of an aluminum plate bonded to elastomeric NBR.



HERCULES PART NUMBERS

MDPC-57 - 010

Type of Seal Bore Diameter



SEAL INFORMATION

MATERIAL	70A NBR
TEMPERATURE RANGE	-22 - +220° F
PRESSURE RANGE	0 TO 175 PSI
SPEED	3 FT/SEC

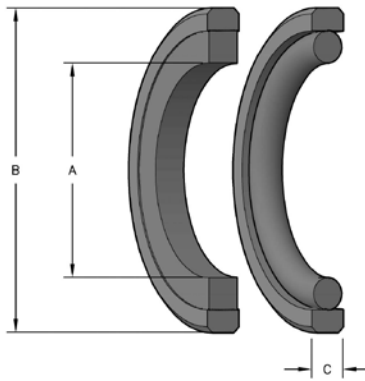
PISTON SEAL ASSEMBLIES

Part Number	J BORE DIAMETER	E ₁ STUB DIAMETER	C LIP HEIGHT	th THICKNESS	List Price
MDPC-57-012	12.00 ^{+0.11} / _{+0.00}	4.50 ^{+0.000} / _{-0.048}	6.00	2.30	\$ 16.35
MDPC-57-016	16.00 ^{+0.11} / _{+0.00}	4.50 ^{+0.000} / _{-0.048}	6.50	2.30	16.35
MDPC-57-025	25.00 ^{+0.13} / _{+0.00}	7.00 ^{+0.000} / _{-0.058}	8.80	3.50	16.35
MDPC-57-032	32.00 ^{+0.16} / _{+0.00}	8.00 ^{+0.000} / _{-0.058}	11.00	3.50	20.04
MDPC-57-040	40.00 ^{+0.16} / _{+0.00}	8.00 ^{+0.000} / _{-0.058}	11.80	4.50	24.57
MDPC-57-050	50.00 ^{+0.16} / _{+0.00}	10.00 ^{+0.000} / _{-0.058}	14.00	4.50	28.63
MDPC-57-063	63.00 ^{+0.19} / _{+0.00}	12.00 ^{+0.00} / _{-0.07}	14.00	4.50	36.87
MDPC-57-080	80.00 ^{+0.19} / _{+0.00}	16.00 ^{+0.00} / _{-0.07}	16.00	5.50	53.88
MDPC-57-100	100.00 ^{+0.22} / _{+0.00}	20.00 ^{+0.000} / _{-0.084}	18.00	6.50	70.83

Seal color may vary. Special order sizes are available. Please call your regional sales team for assistance.

STYLE MPS TWO PIECE PISTON SEALS

Molded from filled PTFE and machined to close tolerances, these seals feature low friction and excellent wear characteristics. Nitrile rings are used for energizers.

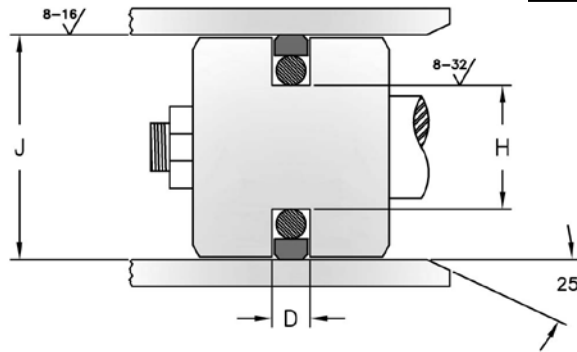


HERCULES PART NUMBERS

MPS - 12 X 2 X 1-B5

Type of Seal | Bore Diameter | Seal Height | Cross Section

SEAL INFORMATION	
MATERIAL	PTFE PISTON SEAL 70A NITRILE ENERGIZER
TEMPERATURE RANGE	-40° TO +230° F
PRESSURE RANGE	0 TO 5,000 psi
SPEED	12 FT/SEC



PISTON SEAL ASSEMBLIES

Part Number	A Nom. ID	B Nom. OD	C Nom. Ht	D GROOVE WIDTH	H GROOVE DIAMETER	J BORE DIAMETER	List Price
MPS-12X2X1-B5	7.1	12	2	2.20 +0.20 +0.00	7.10 +0.000 -0.036	12.00 +0.043 +0.000	\$ 11.85
MPS-15X3X2-B5	7.5	15	3	3.20 +0.20 +0.00	7.50 +0.000 -0.036	15.00 +0.043 +0.000	13.79
MPS-16X2X1-B5	11.1	16	2	2.20 +0.20 +0.00	11.10 +0.000 -0.043	16.00 +0.043 +0.000	15.66
MPS-20X3X2-B5	12.5	20	3	3.20 +0.20 +0.00	12.50 +0.000 -0.043	20.00 +0.052 +0.000	15.66
MPS-22X3X2-B5	14.5	22	3	3.20 +0.20 +0.00	14.50 +0.000 -0.043	22.00 +0.052 +0.000	15.66
MPS-25X3X2-B5	17.5	25	3	3.20 +0.20 +0.00	17.50 +0.000 -0.043	25.00 +0.052 +0.000	15.66
MPS-28X3X2-B5	20.5	28	3	3.20 +0.20 +0.00	20.50 +0.000 -0.052	28.00 +0.052 +0.000	18.17
MPS-30X3X2-B5	22.5	30	3	3.20 +0.20 +0.00	22.50 +0.000 -0.052	30.00 +0.052 +0.000	18.17
MPS-30X2X1-B5	25.1	30	2	2.20 +0.20 +0.00	25.10 +0.000 -0.052	30.00 +0.052 +0.000	20.06
MPS-32X3X2	24.5	32	3	3.20 +0.20 +0.00	24.50 +0.000 -0.052	32.00 +0.062 +0.000	18.17
MPS-32X2X1-B5	27.1	32	2	2.20 +0.20 +0.00	27.10 +0.000 -0.052	32.00 +0.062 +0.000	25.22
MPS-35X25.5X4.5	25.5	35	4.3	4.50 +0.20 +0.00	25.50 +0.000 -0.052	35.00 +0.062 +0.000	5.08
MPS-35X3X2-B5	27.5	35	3	3.20 +0.20 +0.00	27.50 +0.000 -0.052	35.00 +0.062 +0.000	18.17
MPS-36X3X2-B5	28.5	36	3	3.20 +0.20 +0.00	28.50 +0.000 -0.052	36.00 +0.062 +0.000	22.01
MPS-40X6X3.5-B5	24.5	40	6	6.30 +0.20 +0.00	24.50 +0.000 -0.052	40.00 +0.062 +0.000	22.01
MPS-40X4X2.9-B5	29	40	4	4.20 +0.20 +0.00	29.00 +0.000 -0.052	40.00 +0.062 +0.000	22.01

STYLE MPS TWO PIECE PISTON SEALS



Part Number	A Nom. ID	B Nom. OD	C Nom. Ht	D GROOVE WIDTH	H GROOVE DIAMETER	J BORE DIAMETER	List Price
MPS-40X31.5X3.8	31.5	40	3.8	4.00 +0.20 +0.00	31.50 +0.00 -0.20	40.00 +0.062 +0.000	20.30
MPS-40X3X2-B5	32.5	40	3	3.20 +0.20 +0.00	32.50 +0.000 -0.062	40.00 +0.062 +0.000	22.01
MPS-42X4X2.9-B5	31	42	4	4.20 +0.20 +0.00	31.00 +0.000 -0.062	42.00 +0.062 +0.000	26.74
MPS-45X4X2.9-B5	34	45	4	4.20 +0.20 +0.00	34.00 +0.000 -0.062	45.00 +0.062 +0.000	22.01
MPS-45X4.3X2	35	45	4.3	4.50 +0.20 +0.00	35.00 +0.000 -0.062	45.00 +0.062 +0.000	21.99
MPS-45X3.8X1.5	36.4	45	3.8	4.20 +0.20 +0.00	36.40 +0.000 -0.062	45.00 +0.062 +0.000	18.18
MPS-45X4.4X1.2	37.1	45	4.4	4.60 +0.20 +0.00	37.10 +0.000 -0.062	45.00 +0.062 +0.000	20.82
MPS-48X4X2.9-B5	37	48	4	4.20 +0.20 +0.00	37.00 +0.000 -0.062	48.00 +0.062 +0.000	34.80
MPS-50X6X3.5	34.5	50	6	6.30 +0.20 +0.00	34.50 +0.000 -0.062	50.00 +0.062 +0.000	37.98
MPS-50X4X2.9-B5	39	50	4	4.20 +0.20 +0.00	39.00 +0.000 -0.062	50.00 +0.062 +0.000	22.01
MPS-50X4X2.5	40	50	4	4.20 +0.20 +0.00	40.00 +0.000 -0.062	50.00 +0.062 +0.000	20.99
MPS-50X4.3X2	40	50	4.3	4.50 +0.20 +0.00	40.00 +0.000 -0.062	50.00 +0.062 +0.000	35.14
MPS-50X2.7X2.5	41.3	50	2.7	2.90 +0.20 +0.00	41.30 +0.000 -0.062	50.00 +0.062 +0.000	19.86
MPS-50X3.8X1.5	41.5	50	3.8	4.20 +0.20 +0.00	41.50 +0.000 -0.062	50.00 +0.062 +0.000	25.25
MPS-50X4.4X1.2	42.1	50	4.4	4.60 +0.20 +0.00	42.10 +0.000 -0.062	50.00 +0.062 +0.000	27.94
MPS-50X3X2-B5	42.2	50	3	3.20 +0.20 +0.00	42.20 +0.000 -0.062	50.00 +0.062 +0.000	34.80
MPS-52X4X2.9-B5	41	52	4	4.20 +0.20 +0.00	41.00 +0.000 -0.062	52.00 +0.074 +0.000	32.50
MPS-53X4X2.5	42.5	53	4	4.20 +0.20 +0.00	42.50 +0.000 -0.062	53.00 +0.074 +0.000	32.49
MPS-55X6X3.5	39.5	55	6	6.30 +0.20 +0.00	39.50 +0.000 -0.062	55.00 +0.074 +0.000	41.41
MPS-55X4X2.9-B5	44	55	4	4.20 +0.20 +0.00	44.00 +0.000 -0.062	55.00 +0.074 +0.000	37.66
MPS-55X4.3X2	45	55	4.3	4.50 +0.20 +0.00	45.00 +0.000 -0.062	55.00 +0.074 +0.000	35.14
MPS-56X4X2.9-B5	45.5	56	4	4.20 +0.20 +0.00	45.50 +0.000 -0.062	56.00 +0.074 +0.000	40.16
MPS-60X6X3.5	44.5	60	6	6.30 +0.20 +0.00	44.50 +0.000 -0.062	60.00 +0.074 +0.000	41.53
MPS-60X7X2.5	45.8	60	7	7.20 +0.20 +0.00	45.80 +0.000 -0.062	60.00 +0.074 +0.000	10.44
MPS-60X4X2.9-B5	49	60	3.9	4.20 +0.20 +0.00	49.00 +0.000 -0.062	60.00 +0.074 +0.000	22.01
MPS-60X4.9X2.5	49.5	60	4.9	5.10 +0.20 +0.00	49.50 +0.000 -0.062	60.00 +0.074 +0.000	30.02
MPS-60X3.8X2	51.1	60	3.8	4.20 +0.20 +0.00	51.10 +0.000 -0.074	60.00 +0.074 +0.000	24.70
MPS-60X3.7X1.5	52.1	60	3.7	4.00 +0.20 +0.00	52.10 +0.000 -0.074	60.00 +0.074 +0.000	15.36
MPS-60X4.4X1.3	52.5	60	4.4	4.60 +0.20 +0.00	52.50 +0.000 -0.074	60.00 +0.074 +0.000	34.40
MPS-63X6X3.5	47.5	63	6	6.30 +0.20 +0.00	47.50 +0.000 -0.062	63.00 +0.074 +0.000	41.53
MPS-63X47.5X6.3	47.5	63	6.3	6.50 +0.20 +0.00	47.50 +0.000 -0.062	63.00 +0.074 +0.000	21.17
MPS-63X7.3X2.5	48	63	7.3	7.50 +0.20 +0.00	48.00 +0.000 -0.062	63.00 +0.074 +0.000	41.94
MPS-63X5X1	51.8	63	5	5.20 +0.20 +0.00	51.80 +0.000 -0.074	63.00 +0.074 +0.000	49.71

STYLE MPS TWO PIECE PISTON SEALS

PISTON SEAL ASSEMBLIES

Part Number	A Nom. ID	B Nom. OD	C Nom. Ht	D GROOVE WIDTH	H GROOVE DIAMETER	J BORE DIAMETER	List Price
MPS-63X4X2.9-B5	52	63	4	4.20 ^{+0.20} / _{+0.00}	52.00 ^{+0.000} / _{-0.074}	63.00 ^{+0.074} / _{+0.000}	22.01
MPS-63X53X5	53	63	5	5.20 ^{+0.20} / _{+0.00}	53.00 ^{+0.000} / _{-0.074}	63.00 ^{+0.074} / _{+0.000}	28.59
MPS-65X6X3.5	49.5	65	6	6.30 ^{+0.20} / _{+0.00}	49.50 ^{+0.000} / _{-0.062}	65.00 ^{+0.074} / _{+0.000}	42.37
MPS-65X7.3X2.5	50	65	7.3	7.50 ^{+0.20} / _{+0.00}	50.00 ^{+0.000} / _{-0.062}	65.00 ^{+0.074} / _{+0.000}	26.36
MPS-65X4X2.9-B5	54	65	4	4.20 ^{+0.20} / _{+0.00}	54.00 ^{+0.000} / _{-0.074}	65.00 ^{+0.074} / _{+0.000}	57.34
MPS-70X6X3.5	54.5	70	6	6.30 ^{+0.20} / _{+0.00}	54.50 ^{+0.000} / _{-0.074}	70.00 ^{+0.074} / _{+0.000}	44.27
MPS-70X6.2X2.5	55.9	70	6.2	6.50 ^{+0.20} / _{+0.00}	55.90 ^{+0.000} / _{-0.074}	70.00 ^{+0.074} / _{+0.000}	29.41
MPS-70X7X2.5	56.4	70	7	7.20 ^{+0.20} / _{+0.00}	56.40 ^{+0.000} / _{-0.074}	70.00 ^{+0.074} / _{+0.000}	11.75
MPS-70X4X2.9	59	70	4	4.20 ^{+0.20} / _{+0.00}	59.00 ^{+0.000} / _{-0.074}	70.00 ^{+0.074} / _{+0.000}	22.93
MPS-70X4X2.5	60	70	4	4.20 ^{+0.20} / _{+0.00}	60.00 ^{+0.000} / _{-0.074}	70.00 ^{+0.074} / _{+0.000}	42.10
MPS-70X4X1.8	61.7	70	4	4.20 ^{+0.20} / _{+0.00}	61.70 ^{+0.000} / _{-0.074}	70.00 ^{+0.074} / _{+0.000}	26.76
MPS-71X7.3X2.5	56	71	7.3	7.50 ^{+0.20} / _{+0.00}	56.00 ^{+0.000} / _{-0.074}	71.00 ^{+0.074} / _{+0.000}	33.88
MPS-75X6X3.5	59	75	6	6.30 ^{+0.20} / _{+0.00}	59.50 ^{+0.000} / _{-0.074}	75.00 ^{+0.074} / _{+0.000}	43.64
MPS-75X7.3X2.5	60	75	7.3	7.50 ^{+0.20} / _{+0.00}	60.00 ^{+0.000} / _{-0.074}	75.00 ^{+0.074} / _{+0.000}	28.30
MPS-75X6.2X2.5	60.9	75	6.2	6.50 ^{+0.20} / _{+0.00}	60.90 ^{+0.000} / _{-0.074}	75.00 ^{+0.074} / _{+0.000}	38.12
MPS-75X4X2.9-B5	64	75	4	4.20 ^{+0.20} / _{+0.00}	64.00 ^{+0.000} / _{-0.074}	75.00 ^{+0.074} / _{+0.000}	23.89
MPS-80X7.9X5	59	80	7.9	8.10 ^{+0.20} / _{+0.00}	59.00 ^{+0.000} / _{-0.074}	80.00 ^{+0.074} / _{+0.000}	53.41
MPS-80X6X3.5	64.5	80	6	6.30 ^{+0.20} / _{+0.00}	64.50 ^{+0.000} / _{-0.074}	80.00 ^{+0.074} / _{+0.000}	45.11
MPS-80X7X2.5	65.8	80	7	7.20 ^{+0.20} / _{+0.00}	65.80 ^{+0.000} / _{-0.074}	80.00 ^{+0.074} / _{+0.000}	14.07
MPS-80X6.2X2.5	65.9	80	6.2	6.50 ^{+0.20} / _{+0.00}	65.90 ^{+0.000} / _{-0.074}	80.00 ^{+0.074} / _{+0.000}	43.54
MPS-80X7.3X2.5	66	80	7.3	7.50 ^{+0.20} / _{+0.00}	66.00 ^{+0.000} / _{-0.074}	80.00 ^{+0.074} / _{+0.000}	48.78
MPS-80X4X2.9-B5	69	80	4	4.20 ^{+0.20} / _{+0.00}	69.00 ^{+0.000} / _{-0.074}	80.00 ^{+0.074} / _{+0.000}	37.25
MPS-85X7.9X5	64	85	7.9	8.10 ^{+0.20} / _{+0.00}	64.00 ^{+0.000} / _{-0.074}	85.00 ^{+0.087} / _{+0.000}	54.58
MPS-85X6X3.5	69.5	85	6	6.30 ^{+0.20} / _{+0.00}	69.50 ^{+0.000} / _{-0.074}	85.00 ^{+0.087} / _{+0.000}	46.39
MPS-85X70X7.3	70	85	7.3	7.60 ^{+0.20} / _{+0.00}	70.00 ^{+0.000} / _{-0.074}	85.00 ^{+0.087} / _{+0.000}	40.32
MPS-90X7.9X5	69	90	7.9	8.10 ^{+0.20} / _{+0.00}	69.00 ^{+0.000} / _{-0.074}	90.00 ^{+0.087} / _{+0.000}	60.53
MPS-90X6X3.5	74.5	90	6	6.30 ^{+0.20} / _{+0.00}	74.50 ^{+0.000} / _{-0.074}	90.00 ^{+0.087} / _{+0.000}	48.99
MPS-90X7.3X2.5	75	90	7.3	7.50 ^{+0.20} / _{+0.00}	75.00 ^{+0.000} / _{-0.074}	90.00 ^{+0.087} / _{+0.000}	56.96
MPS-90X7X2.5	75.8	90	7	7.20 ^{+0.20} / _{+0.00}	75.80 ^{+0.000} / _{-0.074}	90.00 ^{+0.087} / _{+0.000}	14.71
MPS-90X6X2.5	79	90	6	6.30 ^{+0.20} / _{+0.00}	79.00 ^{+0.000} / _{-0.074}	90.00 ^{+0.087} / _{+0.000}	13.07
MPS-95X7.9X5	74	95	7.9	8.10 ^{+0.20} / _{+0.00}	74.00 ^{+0.000} / _{-0.074}	95.00 ^{+0.087} / _{+0.000}	63.15
MPS-95X6X3.5	79.5	95	6	6.30 ^{+0.20} / _{+0.00}	79.50 ^{+0.000} / _{-0.074}	95.00 ^{+0.087} / _{+0.000}	54.58
MPS-100X7.9X5	79	100	7.9	8.10 ^{+0.20} / _{+0.00}	79.00 ^{+0.000} / _{-0.074}	100.00 ^{+0.087} / _{+0.000}	62.60

STYLE MPS TWO PIECE PISTON SEALS



Part Number	A Nom. ID	B Nom. OD	C Nom. Ht	D GROOVE WIDTH	H GROOVE DIAMETER	J BORE DIAMETER	List Price
MPS-100X6X3.5	84.5	100	6	6.30 ^{+0.20} / _{+0.00}	84.50 ^{+0.000} / _{-0.087}	100.00 ^{+0.087} / _{+0.000}	45.75
MPS-100X6.2X2.4-B4	84.8	100	6.2	6.40 ^{+0.20} / _{+0.00}	84.80 ^{+0.000} / _{-0.087}	100.00 ^{+0.087} / _{+0.000}	53.73
MPS-100X85X7.5	85	100	7.3	7.50 ^{+0.20} / _{+0.00}	85.00 ^{+0.000} / _{-0.087}	100.00 ^{+0.087} / _{+0.000}	35.86
MPS-100X7X2.5	86.6	100	7	7.20 ^{+0.20} / _{+0.00}	86.60 ^{+0.000} / _{-0.087}	100.00 ^{+0.087} / _{+0.000}	24.91
MPS-105X7.9X5	84	105	7.9	8.10 ^{+0.20} / _{+0.00}	84.00 ^{+0.000} / _{-0.087}	105.00 ^{+0.087} / _{+0.000}	61.55
MPS-105X6X3.5	89.5	105	6	6.30 ^{+0.20} / _{+0.00}	89.50 ^{+0.000} / _{-0.087}	105.00 ^{+0.087} / _{+0.000}	50.74
MPS-105X7.29X3.23	89.8	105	7.29	7.60 ^{+0.20} / _{+0.00}	89.80 ^{+0.000} / _{-0.087}	105.00 ^{+0.087} / _{+0.000}	73.74
MPS-110X7.9X5	89	110	7.9	8.10 ^{+0.20} / _{+0.00}	89.00 ^{+0.000} / _{-0.087}	110.00 ^{+0.087} / _{+0.000}	67.20
MPS-110X6X3.5	94.5	110	6	6.30 ^{+0.20} / _{+0.00}	94.50 ^{+0.000} / _{-0.087}	110.00 ^{+0.087} / _{+0.000}	51.03
MPS-110X7X2.5	95.8	110	7	7.20 ^{+0.20} / _{+0.00}	95.80 ^{+0.000} / _{-0.087}	110.00 ^{+0.087} / _{+0.000}	17.47
MPS-115X7.9X5	94	115	7.9	8.10 ^{+0.20} / _{+0.00}	94.00 ^{+0.000} / _{-0.087}	115.00 ^{+0.087} / _{+0.000}	68.82
MPS-115X6X3.5	99.5	115	6	6.30 ^{+0.20} / _{+0.00}	99.50 ^{+0.000} / _{-0.087}	115.00 ^{+0.087} / _{+0.000}	54.04
MPS-115X7X2.5	100.8	115	7	7.20 ^{+0.20} / _{+0.00}	100.80 ^{+0.000} / _{-0.087}	115.00 ^{+0.087} / _{+0.000}	33.25
MPS-120X7.9X5	99	120	7.9	8.10 ^{+0.20} / _{+0.00}	99.00 ^{+0.000} / _{-0.087}	120.00 ^{+0.087} / _{+0.000}	68.82
MPS-120X6X3.5	104.5	120	6	6.30 ^{+0.20} / _{+0.00}	104.50 ^{+0.000} / _{-0.087}	120.00 ^{+0.087} / _{+0.000}	55.21
MPS-125X7.9X5	104	125	7.9	8.10 ^{+0.20} / _{+0.00}	104.00 ^{+0.000} / _{-0.087}	125.00 ^{+0.10} / _{+0.00}	68.82
MPS-125X6X3.5	109.5	125	6	6.30 ^{+0.20} / _{+0.00}	109.50 ^{+0.000} / _{-0.087}	125.00 ^{+0.10} / _{+0.00}	56.96
MPS-125X7X2.5	110.8	125	7	7.20 ^{+0.20} / _{+0.00}	110.80 ^{+0.000} / _{-0.087}	125.00 ^{+0.10} / _{+0.00}	37.53
MPS-130X7.9X5	109	130	7.9	8.10 ^{+0.20} / _{+0.00}	109.00 ^{+0.000} / _{-0.087}	130.00 ^{+0.10} / _{+0.00}	71.20
MPS-130X6X3.5	114.5	130	6	6.30 ^{+0.20} / _{+0.00}	114.50 ^{+0.000} / _{-0.087}	130.00 ^{+0.10} / _{+0.00}	60.90
MPS-135X7.9X5	114	135	7.9	8.10 ^{+0.20} / _{+0.00}	114.00 ^{+0.000} / _{-0.087}	135.00 ^{+0.10} / _{+0.00}	80.42
MPS-140X7.9X5	119	140	7.9	8.10 ^{+0.20} / _{+0.00}	119.00 ^{+0.000} / _{-0.087}	140.00 ^{+0.10} / _{+0.00}	81.30
MPS-145X7.9X5	124	145	7.9	8.10 ^{+0.20} / _{+0.00}	124.00 ^{+0.00} / _{-0.10}	145.00 ^{+0.10} / _{+0.00}	83.49
MPS-150X7.9X5	129	150	7.9	8.10 ^{+0.20} / _{+0.00}	129.00 ^{+0.00} / _{-0.10}	150.00 ^{+0.10} / _{+0.00}	87.40
MPS-155X7.9X5	134	155	7.9	8.10 ^{+0.20} / _{+0.00}	134.00 ^{+0.00} / _{-0.10}	155.00 ^{+0.10} / _{+0.00}	89.41
MPS-160X7.9X5	139	160	7.9	8.10 ^{+0.20} / _{+0.00}	139.00 ^{+0.00} / _{-0.10}	160.00 ^{+0.10} / _{+0.00}	95.43
MPS-160X8.9X3.5	140.5	160	8.9	9.10 ^{+0.20} / _{+0.00}	140.50 ^{+0.00} / _{-0.10}	160.00 ^{+0.10} / _{+0.00}	95.43
MPS-160X145X7.55	145	160	7.3	7.50 ^{+0.20} / _{+0.00}	145.00 ^{+0.00} / _{-0.10}	160.00 ^{+0.10} / _{+0.00}	55.14
MPS-165X7.9X5	144	165	7.9	8.10 ^{+0.20} / _{+0.00}	144.00 ^{+0.00} / _{-0.10}	165.00 ^{+0.10} / _{+0.00}	105.46
MPS-170X7.9X5	149	170	7.9	8.10 ^{+0.20} / _{+0.00}	149.00 ^{+0.00} / _{-0.10}	170.00 ^{+0.10} / _{+0.00}	108.44
MPS-180X7.9X5	159	180	7.9	8.10 ^{+0.20} / _{+0.00}	159.00 ^{+0.00} / _{-0.10}	180.00 ^{+0.10} / _{+0.00}	118.49
MPS-190X7.9X5	169	190	7.9	8.10 ^{+0.20} / _{+0.00}	169.00 ^{+0.00} / _{-0.10}	190.00 ^{+0.115} / _{+0.000}	123.39
MPS-200X7.9X5	179	200	7.9	8.10 ^{+0.20} / _{+0.00}	179.00 ^{+0.00} / _{-0.10}	200.00 ^{+0.115} / _{+0.000}	127.11

STYLE MPS TWO PIECE PISTON SEALS

Part Number	A Nom. ID	B Nom. OD	C Nom. Ht	D GROOVE WIDTH	H GROOVE DIAMETER	J BORE DIAMETER	List Price
MPS-215X7.9X5	194	215	7.9	8.10 ^{+0.20} / _{+0.00}	194.00 ^{+0.000} / _{-0.115}	215.00 ^{+0.115} / _{+0.000}	129.37
MPS-220X7.9X5-B5	199	220	7.9	8.10 ^{+0.20} / _{+0.00}	199.00 ^{+0.000} / _{-0.115}	220.00 ^{+0.115} / _{+0.000}	141.99
MPS-225X7.9X5	204	225	7.9	8.10 ^{+0.20} / _{+0.00}	204.00 ^{+0.000} / _{-0.115}	225.00 ^{+0.115} / _{+0.000}	141.99
MPS-230X7.9X5-B5	209	230	7.9	8.10 ^{+0.20} / _{+0.00}	209.00 ^{+0.000} / _{-0.115}	230.00 ^{+0.115} / _{+0.000}	448.73
MPS-240X7.9X5	219	240	7.9	8.10 ^{+0.20} / _{+0.00}	219.00 ^{+0.000} / _{-0.115}	240.00 ^{+0.115} / _{+0.000}	144.76
MPS-250X7.9X5	229	250	7.9	8.10 ^{+0.20} / _{+0.00}	229.00 ^{+0.000} / _{-0.115}	250.00 ^{+0.115} / _{+0.000}	448.28
MPS-320X299X8.1	299	320	7.9	8.10 ^{+0.20} / _{+0.00}	299.00 ^{+0.00} / _{-0.13}	320.00 ^{+0.14} / _{+0.00}	339.99

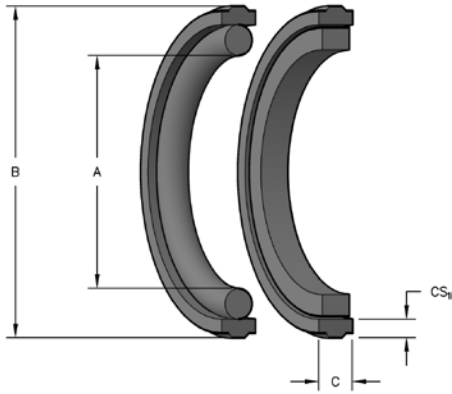
PISTON SEAL ASSEMBLIES

Seal color may vary. Special order sizes are available. Sizes not shown and out of stock items can also be ordered for next day delivery through Seals On Demand, our custom seal program. Please call your regional sales team for assistance.

STYLE MPSU TWO PIECE PISTON SEALS



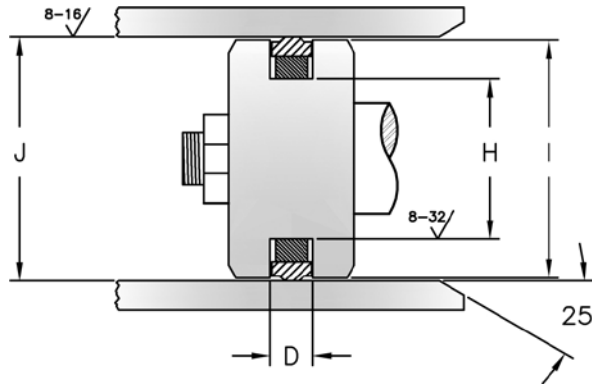
Molded from tough, wear resistant 55D polyester, these seals are for light to medium duty applications and are interchangeable with the style MPS seals of the same dimensions. Nitrile rings are used for energizers.



HERCULES PART NUMBERS

MPSU - 12 X 3 X 2
 Type of Seal | Bore Diameter | Seal Height | Cross Section

SEAL INFORMATION	
MATERIAL	55D POLYESTER PISTON SEAL 70A NITRILE ENERGIZER
TEMPERATURE RANGE	-40 TO +230° F
PRESSURE RANGE	0 TO 5,000 PSI
SPEED	3 FT/SEC



Part Number	A Nom. ID	B Nom. OD	C Nom. Ht	D GROOVE WIDTH	H GROOVE DIAMETER	J BORE DIAMETER	List Price
MPSU-25X3X2	17.5	25	3	3.20 +0.20 +0.00	17.50 +0.000 -0.043	25.00 +0.052 +0.000	\$10.95
MPSU-30X3X2	22.5	30	3	3.20 +0.20 +0.00	22.50 +0.000 -0.052	30.00 +0.052 +0.000	12.17
MPSU-40X4X2.9	29	40	4	4.20 +0.20 +0.00	29.00 +0.000 -0.052	40.00 +0.062 +0.000	13.56
MPSU-45X4X2.9	34	45	4	4.20 +0.20 +0.00	34.00 +0.000 -0.062	45.00 +0.062 +0.000	13.89
MPSU-50X6X3.5	34.5	50	6	6.30 +0.20 +0.00	34.50 +0.000 -0.062	50.00 +0.062 +0.000	15.97
MPSU-50X4X2.9	39	50	4	4.20 +0.20 +0.00	39.00 +0.000 -0.062	50.00 +0.062 +0.000	14.51
MPSU-60X6X3.5	44.5	60	6	6.30 +0.20 +0.00	44.50 +0.000 -0.062	60.00 +0.074 +0.000	18.63
MPSU-60X4X2.9	49	60	4	4.20 +0.20 +0.00	49.00 +0.000 -0.062	60.00 +0.074 +0.000	15.53
MPSU-63X6X3.5	47.5	63	6	6.30 +0.20 +0.00	47.50 +0.000 -0.062	63.00 +0.074 +0.000	30.37
MPSU-63X4X2.9	52	63	4	4.20 +0.20 +0.00	52.00 +0.000 -0.074	63.00 +0.074 +0.000	15.86
MPSU-65X6X3.5	49.5	65	6	6.30 +0.20 +0.00	49.50 +0.000 -0.062	65.00 +0.074 +0.000	22.83
MPSU-65X6X2.5	52	65	6	6.30 +0.20 +0.00	52.00 +0.000 -0.074	65.00 +0.074 +0.000	21.99
MPSU-65X4X2.9	54	65	4	4.20 +0.20 +0.00	54.00 +0.000 -0.074	65.00 +0.074 +0.000	21.17
MPSU-70X6X2.8	57	70	6	6.30 +0.20 +0.00	57.00 +0.000 -0.074	70.00 +0.074 +0.000	18.21
MPSU-70X4X2.9	59	70	4	4.20 +0.20 +0.00	59.00 +0.000 -0.074	70.00 +0.074 +0.000	18.84

STYLE MPSU TWO PIECE PISTON SEALS

PISTON SEAL ASSEMBLIES

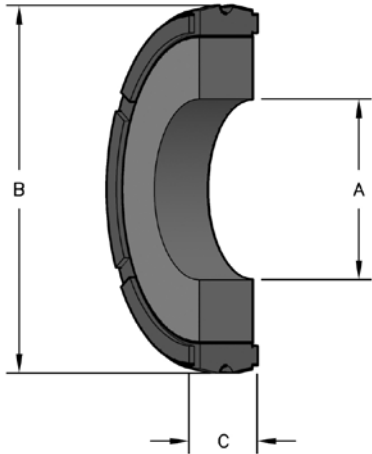
Part Number	A Nom. ID	B Nom. OD	C Nom. Ht	D GROOVE WIDTH	H GROOVE DIAMETER	J BORE DIAMETER	List Price
MPSU-75X6X3.5	59.5	75	6	6.30 ^{+0.20} / _{+0.00}	59.50 ^{+0.000} / _{-0.074}	75.00 ^{+0.074} / _{+0.000}	24.20
MPSU-75X4X2.9	64	75	4	4.20 ^{+0.20} / _{+0.00}	64.00 ^{+0.000} / _{-0.074}	75.00 ^{+0.074} / _{+0.000}	20.15
MPSU-80X6X3.5	64.5	80	6	6.30 ^{+0.20} / _{+0.00}	64.50 ^{+0.000} / _{-0.074}	80.00 ^{+0.074} / _{+0.000}	22.64
MPSU-85X6X3.5	69.5	85	6	6.30 ^{+0.20} / _{+0.00}	69.50 ^{+0.000} / _{-0.074}	85.00 ^{+0.087} / _{+0.000}	22.54
MPSU-90X6X3.5	74.5	90	6	6.30 ^{+0.20} / _{+0.00}	74.50 ^{+0.000} / _{-0.074}	90.00 ^{+0.087} / _{+0.000}	22.45
MPSU-100X6X3.5	84.5	100	6	6.30 ^{+0.20} / _{+0.00}	84.50 ^{+0.000} / _{-0.087}	100.00 ^{+0.087} / _{+0.000}	23.93
MPSU-110X6X3.5	94.5	110	6	6.30 ^{+0.20} / _{+0.00}	94.50 ^{+0.000} / _{-0.087}	110.00 ^{+0.087} / _{+0.000}	32.39
MPSU-120X7.6X5-72D	99	120	7.6	8.10 ^{+0.20} / _{+0.00}	99.00 ^{+0.00} / _{-0.09}	120.00 ^{+0.087} / _{+0.000}	93.44
MPSU-120X7.9X5	99	120	7.9	8.10 ^{+0.20} / _{+0.00}	99.00 ^{+0.000} / _{-0.087}	120.00 ^{+0.087} / _{+0.000}	40.83
MPSU-125X7.9X5	104	125	7.9	8.10 ^{+0.20} / _{+0.00}	104.00 ^{+0.000} / _{-0.087}	125.00 ^{+0.10} / _{+0.00}	67.41
MPSU-125X6X3.5	109.5	125	6	6.30 ^{+0.20} / _{+0.00}	109.50 ^{+0.000} / _{-0.087}	125.00 ^{+0.10} / _{+0.00}	29.55
MPSU-130X7.9X5	109	130	7.9	8.10 ^{+0.20} / _{+0.00}	109.00 ^{+0.000} / _{-0.087}	130.00 ^{+0.10} / _{+0.00}	42.30
MPSU-130X6X3.5	114.5	130	6	6.30 ^{+0.20} / _{+0.00}	114.50 ^{+0.000} / _{-0.087}	130.00 ^{+0.10} / _{+0.00}	31.88
MPSU-135X7.9X5	114	135	7.9	8.10 ^{+0.20} / _{+0.00}	114.00 ^{+0.000} / _{-0.087}	135.00 ^{+0.10} / _{+0.00}	45.68
MPSU-140X7.9X5	119	140	7.9	8.10 ^{+0.20} / _{+0.00}	119.00 ^{+0.000} / _{-0.087}	140.00 ^{+0.10} / _{+0.00}	47.07
MPSU-145X7.6X5-72D	124	145	7.6	8.10 ^{+0.20} / _{+0.00}	124.00 ^{+0.00} / _{-0.10}	145.00 ^{+0.10} / _{+0.00}	92.20
MPSU-150X7.9X5	129	150	7.9	8.10 ^{+0.20} / _{+0.00}	129.00 ^{+0.00} / _{-0.10}	150.00 ^{+0.10} / _{+0.00}	49.06
MPSU-160X7.9X5	139	160	7.9	8.10 ^{+0.20} / _{+0.00}	139.00 ^{+0.00} / _{-0.10}	160.00 ^{+0.10} / _{+0.00}	51.69
MPSU-170X7.9X5	149	170	7.9	8.10 ^{+0.20} / _{+0.00}	149.00 ^{+0.00} / _{-0.10}	170.00 ^{+0.10} / _{+0.00}	38.94
MPSU-180X7.9X5	159	180	7.9	8.10 ^{+0.20} / _{+0.00}	159.00 ^{+0.00} / _{-0.10}	180.00 ^{+0.10} / _{+0.00}	60.29
MPSU-210X7.9X5	189	210	7.9	8.10 ^{+0.20} / _{+0.00}	189.00 ^{+0.000} / _{-0.115}	210.00 ^{+0.115} / _{+0.000}	64.70

Seal color may vary. Special order sizes are available. Sizes not shown and out of stock items can also be ordered for next day delivery through Seals On Demand, our custom seal program. Please call your regional sales team for assistance.

STYLE MPSU300 TWO PIECE PISTON SEALS



The MPSU300 is a compact, double-acting piston seal consisting of two parts: a urethane sealing ring with a pronounced sealing edge and a rectangular nitrile energizer to prevent the seal from twisting within the groove. It also has low friction and smooth operating movement even at low linear velocities.

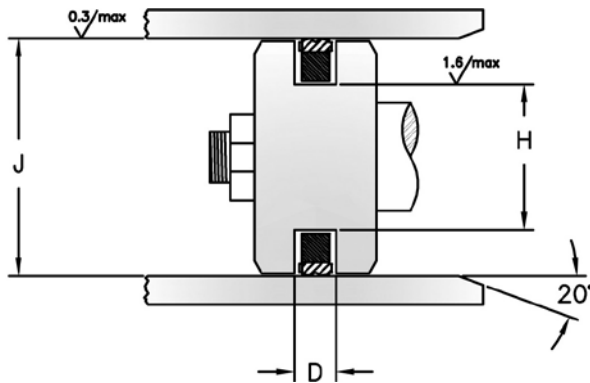


HERCULES PART NUMBERS

MPSU300 - 40 X 27 X 6

Type of Seal: MPSU300
 Bore: 40
 Groove Diameter: 27
 Seal Height: 6

SEAL INFORMATION	
MATERIAL	94A URETHANE SEAL 70/80A NITRILE ENERGIZER
TEMPERATURE RANGE	-22 TO +212° F
PRESSURE RANGE	0 TO 5,800 PSI
SPEED	1.5 FT/SEC



MAXIMUM EXTRUSION GAP				
GROOVE WIDTH (mm)	2,400 psi 16MPa	3,700 psi 26MPa	4,700 psi 32 MPa	5,800 psi 40 MPa
3.2	0.3	0.2	-	-
4.2	0.4	0.3	0.2	-
6.3	0.5	0.4	0.3	0.25
8.1	0.6	0.5	0.4	0.35
10.5	0.65	0.55	0.45	0.4

Part Number	A Nom. ID	B Nom. OD	C Nom. Ht	D GROOVE WIDTH	H GROOVE DIAMETER	J BORE DIAMETER	List Price
MPSU300-25X17.5X3	17.5	25	3	3.20 +0.20 +0.00	17.50 +0.000 -0.043	25.00 +0.052 +0.000	\$27.69
MPSU300-32X24.5X3	24.5	32	3	3.20 +0.20 +0.00	24.50 +0.000 -0.052	32.00 +0.062 +0.000	26.37
MPSU300-40X27X6	27	40	6	6.30 +0.20 +0.00	27.00 +0.000 -0.052	40.00 +0.062 +0.000	23.23
MPSU300-40X29X4	29	40	4	4.20 +0.20 +0.00	29.00 +0.000 -0.052	40.00 +0.062 +0.000	23.06
MPSU300-45X34X4	34	45	4	4.20 +0.20 +0.00	34.00 +0.000 -0.062	45.00 +0.062 +0.000	28.63
MPSU300-50X34.5X6	34.5	50	6	6.30 +0.20 +0.00	34.50 +0.000 -0.062	50.00 +0.062 +0.000	18.51
MPSU300-50X37X6	37	50	6	6.30 +0.20 +0.00	37.00 +0.000 -0.062	50.00 +0.062 +0.000	19.43
MPSU300-50X39X4	39	50	4	4.20 +0.20 +0.00	39.00 +0.000 -0.062	50.00 +0.062 +0.000	20.41
MPSU300-55X39.5X6	39.5	55	6	6.30 +0.20 +0.00	39.50 +0.000 -0.062	55.00 +0.074 +0.000	21.15
MPSU300-60X44.5X6	44.5	60	6	6.30 +0.20 +0.00	44.50 +0.000 -0.062	60.00 +0.074 +0.000	23.23
MPSU300-60X49X4	49	60	4	4.20 +0.20 +0.00	49.00 +0.000 -0.062	60.00 +0.074 +0.000	23.55
MPSU300-63X47.5X6	47.5	63	6	6.30 +0.20 +0.00	47.50 +0.000 -0.062	63.00 +0.074 +0.000	40.19

FORMERLY LISTED REPAIR PARTS ARE AVAILABLE ONLINE AT WWW.HERCULESUS.COM
OR BY CONTACTING YOUR REGIONAL HERCULES SALES TEAM.

PISTON SEAL ASSEMBLIES

STYLE MPSU300 TWO PIECE PISTON SEALS

PISTON SEAL ASSEMBLIES

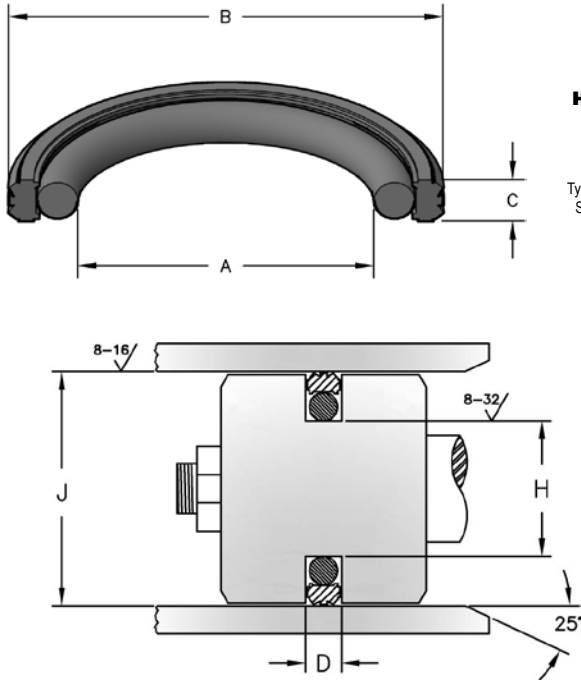
Part Number	A Nom. ID	B Nom. OD	C Nom. Ht	D GROOVE WIDTH	H GROOVE DIAMETER	J BORE DIAMETER	List Price
MPSU300-63X50X6	50	63	6	6.30 +0.20 +0.00	50.00 +0.000 -0.062	63.00 +0.074 +0.000	27.36
MPSU300-63X52X4	52	63	4	4.20 +0.20 +0.00	52.00 +0.000 -0.074	63.00 +0.074 +0.000	27.29
MPSU300-65X49.5X6	49.5	65	6	6.30 +0.20 +0.00	49.50 +0.000 -0.062	65.00 +0.074 +0.000	30.61
MPSU300-70X54.5X5.9	54.5	70	5.9	6.30 +0.20 +0.00	54.50 +0.000 -0.074	70.00 +0.074 +0.000	27.90
MPSU300-70X55X7.3	55	70	7.3	7.50 +0.20 +0.00	55.00 +0.000 -0.074	70.00 +0.074 +0.000	28.16
MPSU300-75X59.5X6	59.5	75	6	6.30 +0.20 +0.00	59.50 +0.000 -0.074	75.00 +0.074 +0.000	28.23
MPSU300-80X59X10	59	80	10	10.30 +0.20 +0.00	59.00 +0.000 -0.074	80.00 +0.074 +0.000	32.28
MPSU300-80X64.5X6	64.5	80	6	6.30 +0.20 +0.00	64.50 +0.000 -0.074	80.00 +0.074 +0.000	35.16
MPSU300-80X66.5X6	66.5	80	6	6.30 +0.20 +0.00	66.50 +0.000 -0.074	80.00 +0.074 +0.000	43.67
MPSU300-85X69.5X6	69.5	85	6	6.30 +0.20 +0.00	69.50 +0.000 -0.074	85.00 +0.087 +0.000	54.30
MPSU300-85X71.5X6	71.5	85	6	6.30 +0.20 +0.00	71.50 +0.000 -0.074	85.00 +0.087 +0.000	55.08
MPSU300-90X74.5X6	74.5	90	6	6.30 +0.20 +0.00	74.50 +0.000 -0.074	90.00 +0.087 +0.000	55.60
MPSU300-90X75X7.3	75	90	7.3	7.50 +0.20 +0.00	75.00 +0.000 -0.074	90.00 +0.087 +0.000	66.74
MPSU300-95X79.5X6	79.5	95	6	6.30 +0.20 +0.00	79.50 +0.000 -0.074	95.00 +0.087 +0.000	56.52
MPSU300-100X79X7.8	79	100	7.8	8.10 +0.20 +0.00	79.00 +0.000 -0.074	100.00 +0.087 +0.000	58.01
MPSU300-100X84.5X6	84.5	100	6	6.30 +0.20 +0.00	84.50 +0.000 -0.087	100.00 +0.087 +0.000	58.14
MPSU300-110X89X7.8	89	110	7.8	8.10 +0.20 +0.00	89.00 +0.000 -0.087	110.00 +0.087 +0.000	58.48
MPSU300-110X94.5X6	94.5	110	6	6.30 +0.20 +0.00	94.50 +0.000 -0.087	110.00 +0.087 +0.000	58.79
MPSU300-115X94X7.8	94	115	7.8	8.10 +0.20 +0.00	94.00 +0.000 -0.087	115.00 +0.087 +0.000	68.41
MPSU300-120X99X7.8	99	120	7.8	8.10 +0.20 +0.00	99.00 +0.000 -0.087	120.00 +0.087 +0.000	70.92
MPSU300-120X99X10	99	120	10	10.50 +0.20 +0.00	99.00 +0.000 -0.087	120.00 +0.087 +0.000	76.79
MPSU300-125X104X7.8	104	125	7.8	8.10 +0.20 +0.00	104.00 +0.000 -0.087	125.00 +0.10 +0.00	80.33
MPSU300-125X104X10	104	125	10	10.30 +0.20 +0.00	104.00 +0.000 -0.087	125.00 +0.10 +0.00	82.72
MPSU300-125X109.5X6	109.5	125	6	6.30 +0.20 +0.00	109.50 +0.000 -0.087	125.00 +0.10 +0.00	99.17
MPSU300-130X109X7.8	109	130	7.8	8.10 +0.20 +0.00	109.00 +0.000 -0.087	130.00 +0.10 +0.00	101.69
MPSU300-140X119X7.8	119	140	7.8	8.10 +0.20 +0.00	119.00 +0.000 -0.087	140.00 +0.10 +0.00	93.88
MPSU300-140X119X10	119	140	10	10.50 +0.20 +0.00	119.00 +0.000 -0.087	140.00 +0.10 +0.00	92.28
MPSU300-150X129X7.8	129	150	7.8	8.10 +0.20 +0.00	129.00 +0.00 -0.10	150.00 +0.10 +0.00	92.75
MPSU300-150X129X10	129	150	10	10.50 +0.20 +0.00	129.00 +0.00 -0.10	150.00 +0.10 +0.00	92.92
MPSU300-160X139X7.8	139	160	7.8	8.10 +0.20 +0.00	139.00 +0.00 -0.10	160.00 +0.10 +0.00	152.94
MPSU300-180X159X7.8	159	180	7.8	8.10 +0.20 +0.00	159.00 +0.00 -0.10	180.00 +0.10 +0.00	195.94

Seal color may vary. Special order sizes are available. Sizes not shown and out of stock items can also be ordered for next day delivery through Seals On Demand, our custom seal program. Please call your regional sales team for assistance.

STYLE MKPD TWO PIECE PISTON SEALS



A double acting piston seal with many features: Two compact seal edges to concentrate the load against the dynamic surface, a cavity between the two external seal edges to retain fluid (reducing friction and wear), side grooves to allow pressure to load the energizer in all working conditions, high sealing performance at low pressure, excellent wear-resistance, and high resistance against extrusion.



HERCULES PART NUMBERS

MKPD - 25 X 14 X 4.2

Type of Seal Bore Diameter Groove Diameter Groove Width

SEAL INFORMATION	
MATERIAL	97A URETHANE SEAL 70A NITRILE EXPANDER
TEMPERATURE RANGE	-22° TO +210° F
PRESSURE RANGE	0 TO 5,800 PSI
SPEED	1.5 FT/SEC

MAXIMUM EXTRUSION GAP					
Pressure (psi)	725	1450	2900	4350	5800
Max Diametrical Gap (inches)	0.047	0.031	0.016	0.010	0.007

Part Number	A Nom. ID	B Nom. OD	C Nom. Ht	D GROOVE WIDTH	H GROOVE DIAMETER	J BORE DIAMETER	List Price
MKPD-25X14X4.2	14	25	4.2	4.20 +0.20 +0.00	14.00 +0.10 +0.00	25.00 +0.084 +0.000	\$ 11.21
MKPD-25X17.5X3.2	17.5	25	3.2	3.20 +0.20 +0.00	17.50 +0.10 +0.00	25.00 +0.084 +0.000	11.21
MKPD-30X22.5X3.2	22.5	30	3.2	3.20 +0.20 +0.00	22.50 +0.10 +0.00	30.00 +0.084 +0.000	11.24
MKPD-32X21X4.2	21	32	4.2	4.20 +0.20 +0.00	21.00 +0.10 +0.00	32.00 +0.10 +0.00	12.28
MKPD-32X24.5X3.2	24.5	32	3.2	3.20 +0.20 +0.00	24.50 +0.10 +0.00	32.00 +0.10 +0.00	11.97
MKPD-35X27.5X3.2	27.5	35	3.2	3.20 +0.20 +0.00	27.50 +0.10 +0.00	35.00 +0.10 +0.00	12.67
MKPD-38X30.5X3.2	30.5	38	3.2	3.20 +0.20 +0.00	30.50 +0.10 +0.00	38.00 +0.10 +0.00	10.85
MKPD-40X24.5X6.3	24.5	40	6.3	6.30 +0.20 +0.00	24.50 +0.10 +0.00	40.00 +0.10 +0.00	14.35
MKPD-40X29X4.2	29	40	4.2	4.20 +0.20 +0.00	29.00 +0.10 +0.00	40.00 +0.10 +0.00	13.61
MKPD-40X32.5X3.2	32.5	40	3.2	3.20 +0.20 +0.00	32.50 +0.10 +0.00	40.00 +0.10 +0.00	12.97
MKPD-45X29.5X6.3	29.5	45	6.3	6.30 +0.20 +0.00	29.50 +0.10 +0.00	45.00 +0.10 +0.00	15.69
MKPD-45X34X4.2	34	45	4.2	4.20 +0.20 +0.00	34.00 +0.10 +0.00	45.00 +0.10 +0.00	13.66
MKPD-50X34.5X6.3	34.5	50	6.3	6.30 +0.20 +0.00	34.50 +0.10 +0.00	50.00 +0.10 +0.00	16.56
MKPD-50X39X4.2	39	50	4.2	4.20 +0.20 +0.00	39.00 +0.10 +0.00	50.00 +0.10 +0.00	14.90
MKPD-55X39.5X6.3	39.5	55	6.3	6.30 +0.20 +0.00	39.50 +0.10 +0.00	55.00 +0.12 +0.00	17.17

FORMERLY LISTED REPAIR PARTS ARE AVAILABLE ONLINE AT WWW.HERCULESUS.COM
OR BY CONTACTING YOUR REGIONAL HERCULES SALES TEAM.

PISTON SEAL ASSEMBLIES

STYLE MKPD TWO PIECE PISTON SEALS

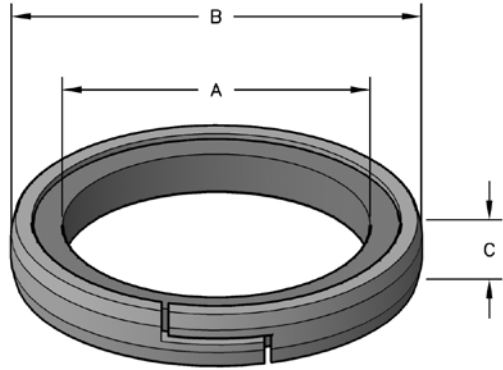
PISTON SEAL ASSEMBLIES

Part Number	A Nom. ID	B Nom. OD	C Nom. Ht	D GROOVE WIDTH	H GROOVE DIAMETER	J BORE DIAMETER	List Price
MKPD-55X44X4.2	44	55	4.2	4.20 +0.20 +0.00	44.00 +0.10 +0.00	55.00 +0.12 +0.00	16.57
MKPD-60X44.5X6.3	44.5	60	6.3	6.30 +0.20 +0.00	44.50 +0.10 +0.00	60.00 +0.12 +0.00	19.43
MKPD-60X49X4.2	49	60	4.2	4.20 +0.20 +0.00	49.00 +0.10 +0.00	60.00 +0.12 +0.00	18.33
MKPD-63X47.5X6.3	47.5	63	6.3	6.30 +0.20 +0.00	47.50 +0.10 +0.00	63.00 +0.12 +0.00	21.34
MKPD-63X52X4.2	52	63	4.2	4.20 +0.20 +0.00	52.00 +0.10 +0.00	63.00 +0.12 +0.00	19.93
MKPD-65X49.5X6.3	49.5	65	6.3	6.30 +0.20 +0.00	49.50 +0.10 +0.00	65.00 +0.12 +0.00	21.87
MKPD-65X54X4.2	54	65	4.2	4.20 +0.20 +0.00	54.00 +0.10 +0.00	65.00 +0.12 +0.00	20.62
MKPD-65X54X4.2-55D	54	65	4.2	4.20 +0.20 +0.00	54.00 +0.000 -0.074	65.00 +0.074 +0.000	23.31
MKPD-70X54.5X6.3	54.5	70	6.3	6.30 +0.20 +0.00	54.50 +0.10 +0.00	70.00 +0.12 +0.00	23.35
MKPD-70X59X4.2	59	70	4.2	4.20 +0.20 +0.00	59.00 +0.10 +0.00	70.00 +0.12 +0.00	21.84
MKPD-75X59.5X6.3	59.5	75	6.3	6.30 +0.20 +0.00	59.50 +0.10 +0.00	75.00 +0.12 +0.00	26.43
MKPD-75X64X4.2	64	75	4.2	4.20 +0.20 +0.00	64.00 +0.10 +0.00	75.00 +0.12 +0.00	23.39
MKPD-75X64X4.2-55D	64	75	4.2	4.20 +0.20 +0.00	64.00 +0.000 -0.074	75.00 +0.074 +0.000	30.06
MKPD-80X64.5X6.3	64.5	80	6.3	6.30 +0.20 +0.00	64.50 +0.10 +0.00	80.00 +0.12 +0.00	25.33
MKPD-80X69X4.2	69	80	4.2	4.20 +0.20 +0.00	69.00 +0.10 +0.00	80.00 +0.12 +0.00	24.25
MKPD-85X69.5X6.3	69.5	85	6.3	6.30 +0.20 +0.00	69.50 +0.10 +0.00	85.00 +0.14 +0.00	26.99
MKPD-90X74.5X6.3	74.5	90	6.3	6.30 +0.20 +0.00	74.50 +0.10 +0.00	90.00 +0.14 +0.00	27.91
MKPD-90X74.5X6.3-55D	74.5	90	6.3	6.30 +0.20 +0.00	74.50 +0.000 -0.074	90.00 +0.087 +0.000	31.86
MKPD-95X79.5X6.3	79.5	95	6.3	6.30 +0.20 +0.00	79.50 +0.10 +0.00	95.00 +0.14 +0.00	30.37
MKPD-100X84.5X6.3	84.5	100	6.3	6.30 +0.20 +0.00	84.50 +0.10 +0.00	100.00 +0.14 +0.00	33.35
MKPD-100X86.5X6.3	86.5	100	6.3	6.30 +0.20 +0.00	86.50 +0.10 +0.00	100.00 +0.14 +0.00	65.51
MKPD-101.6X86.1X6.3-55D	86.1	101.6	6.3	6.30 +0.20 +0.00	86.10 +0.000 -0.087	101.60 +0.087 +0.000	34.00
MKPD-110X94.5X6.3	94.5	110	6.3	6.30 +0.20 +0.00	94.50 +0.10 +0.00	110.00 +0.14 +0.00	64.10
MKPD-120X104.5X6.3	104.5	120	6.3	6.30 +0.20 +0.00	104.50 +0.10 +0.00	120.00 +0.14 +0.00	67.85
MKPD-125X109.5X6.3	109.5	125	6.3	6.30 +0.20 +0.00	109.50 +0.10 +0.00	125.00 +0.16 +0.00	66.18
MKPD-130X114.5X6.3	114.5	130	6.3	6.30 +0.20 +0.00	114.50 +0.10 +0.00	130.00 +0.16 +0.00	48.04
MKPD-140X119X8.1	119	140	8.1	8.10 +0.20 +0.00	119.00 +0.10 +0.00	140.00 +0.16 +0.00	50.83
MKPD-140X119X8.1-55D	119	140	8.1	8.10 +0.20 +0.00	119.00 +0.000 -0.087	140.00 +0.10 +0.00	57.51
MKPD-150X129X8.1	129	150	8.1	8.10 +0.20 +0.00	129.00 +0.10 +0.00	150.00 +0.16 +0.00	55.67
MKPD-160X139X8.1	139	160	8.1	8.10 +0.20 +0.00	139.00 +0.10 +0.00	160.00 +0.16 +0.00	60.30
MKPD-170X149X8.1	149	170	8.1	8.10 +0.20 +0.00	149.00 +0.10 +0.00	170.00 +0.16 +0.00	62.00
MKPD-180X159X8.1	159	180	8.1	8.10 +0.20 +0.00	159.00 +0.10 +0.00	180.00 +0.16 +0.00	65.51
MKPD-200X179X8.1	179	200	8.1	8.10 +0.20 +0.00	179.00 +0.10 +0.00	200.00 +0.185 +0.000	77.65

Seal color may vary. Special order sizes are available. Sizes not shown and out of stock items can also be ordered for next day delivery through Seals On Demand, our custom seal program. Please call your regional sales team for assistance.

STYLE MPS2000 NYLON STEP CUT PISTON SEALS

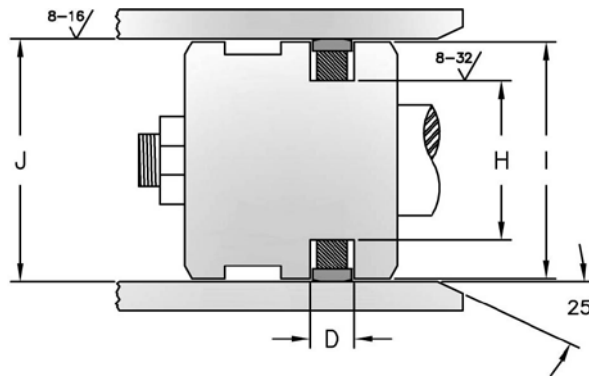
The MPS2000 double acting piston seal is designed for heavy duty hydraulic applications. The small profile is resistant to shock loads and has high abrasion and extrusion resistance. Its split design allows simple installation on a solid piston.



HERCULES PART NUMBERS

MPS2000 - 50
 /
 Type of Seal Bore Diameter

SEAL INFORMATION	
MATERIAL	NYLON SEAL WITH NITRILE ENERGIZER
TEMPERATURE RANGE	-22° F TO +230° F
PRESSURE RANGE	0 TO 7250 PSI
SPEED	3 FT/SEC



Part Number	A Nom. ID	B Nom. OD	C Nom. Ht	D GROOVE WIDTH	H GROOVE DIAMETER	J BORE DIAMETER	List Price
MPS2000-38	30.5	38	3.2	3.20 ^{+0.20} / _{+0.00}	30.50 ^{+0.000} / _{-0.062}	38.00 ^{+0.062} / _{+0.000}	\$32.01
MPS2000-45	34	45	4.2	4.20 ^{+0.20} / _{+0.00}	34.00 ^{+0.000} / _{-0.062}	45.00 ^{+0.062} / _{+0.000}	36.43
MPS2000-50	34.5	50	6.3	6.30 ^{+0.20} / _{+0.00}	34.50 ^{+0.000} / _{-0.062}	50.00 ^{+0.062} / _{+0.000}	43.49
MPS2000-55	39.5	55	6.3	6.30 ^{+0.20} / _{+0.00}	39.50 ^{+0.00} / _{-0.06}	55.00 ^{+0.07} / _{+0.00}	44.63
MPS2000-55/1	44	55	4.2	4.20 ^{+0.20} / _{+0.00}	44.00 ^{+0.000} / _{-0.062}	55.00 ^{+0.074} / _{+0.000}	41.74
MPS2000-60/1	49	60	4.2	4.20 ^{+0.20} / _{+0.00}	49.00 ^{+0.00} / _{-0.06}	60.00 ^{+0.07} / _{+0.00}	45.21
MPS2000-63	47.5	63	6.3	6.30 ^{+0.20} / _{+0.00}	47.50 ^{+0.000} / _{-0.062}	63.00 ^{+0.074} / _{+0.000}	46.20
MPS2000-63/1	52	63	4.2	4.20 ^{+0.20} / _{+0.00}	52.00 ^{+0.000} / _{-0.074}	63.00 ^{+0.074} / _{+0.000}	44.58
MPS2000-65	46.7	65	7	7.00 ^{+0.20} / _{+0.00}	46.70 ^{+0.000} / _{-0.062}	65.00 ^{+0.074} / _{+0.000}	41.93
MPS2000-65/1	54	65	4.2	4.20 ^{+0.20} / _{+0.00}	54.00 ^{+0.000} / _{-0.074}	65.00 ^{+0.074} / _{+0.000}	42.93
MPS2000-70/1	51.7	70	7	7.00 ^{+0.20} / _{+0.00}	51.70 ^{+0.000} / _{-0.074}	70.00 ^{+0.074} / _{+0.000}	44.63
MPS2000-70/2	59	70	4.2	4.20 ^{+0.20} / _{+0.00}	59.00 ^{+0.000} / _{-0.074}	70.00 ^{+0.074} / _{+0.000}	45.53
MPS2000-75	54	75	8.1	8.10 ^{+0.20} / _{+0.00}	54.00 ^{+0.000} / _{-0.074}	75.00 ^{+0.07} / _{+0.00}	44.67
MPS2000-75/1	59.5	75	6.3	6.30 ^{+0.20} / _{+0.00}	59.50 ^{+0.000} / _{-0.074}	75.00 ^{+0.074} / _{+0.000}	119.98
MPS2000-80/1	59	80	8.1	8.10 ^{+0.20} / _{+0.00}	59.00 ^{+0.000} / _{-0.074}	80.00 ^{+0.074} / _{+0.000}	79.34

STYLE MPS2000 NYLON STEP CUT PISTON SEALS

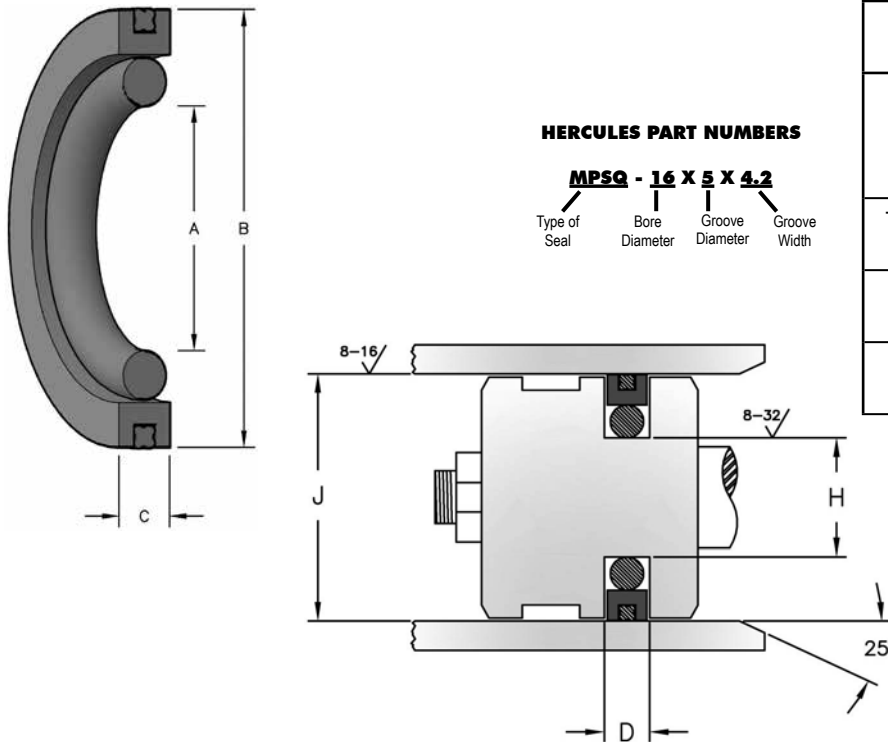
PISTON SEAL ASSEMBLIES

Part Number	A Nom. ID	B Nom. OD	C Nom. Ht	D GROOVE WIDTH	H GROOVE DIAMETER	J BORE DIAMETER	List Price
MPS2000-80	64.5	80	6.3	6.30 ^{+0.20} / _{+0.00}	64.50 ^{+0.000} / _{-0.074}	80.00 ^{+0.074} / _{+0.000}	43.13
MPS2000-85	64	85	8.1	8.10 ^{+0.20} / _{+0.00}	64.00 ^{+0.000} / _{-0.074}	85.00 ^{+0.09} / _{+0.00}	43.89
MPS2000-90	69	90	8.1	8.10 ^{+0.20} / _{+0.00}	69.00 ^{+0.000} / _{-0.074}	90.00 ^{+0.087} / _{+0.000}	44.64
MPS2000-90/1	74.5	90	6.3	6.30 ^{+0.20} / _{+0.00}	74.50 ^{+0.000} / _{-0.074}	90.00 ^{+0.087} / _{+0.000}	44.96
MPS2000-95	74	95	8.1	8.10 ^{+0.20} / _{+0.00}	74.00 ^{+0.00} / _{-0.07}	95.00 ^{+0.09} / _{+0.00}	45.60
MPS2000-100	79	100	8.1	8.10 ^{+0.20} / _{+0.00}	79.00 ^{+0.000} / _{-0.074}	100.00 ^{+0.087} / _{+0.000}	49.36
MPS2000-100/1	84.5	100	6.3	6.30 ^{+0.20} / _{+0.00}	84.50 ^{+0.000} / _{-0.087}	100.00 ^{+0.087} / _{+0.000}	60.32
MPS2000-105	84	105	8.1	8.10 ^{+0.20} / _{+0.00}	84.00 ^{+0.000} / _{-0.087}	105.00 ^{+0.087} / _{+0.000}	55.65
MPS2000-110	89	110	8.1	8.10 ^{+0.20} / _{+0.00}	89.00 ^{+0.000} / _{-0.087}	110.00 ^{+0.087} / _{+0.000}	58.06
MPS2000-110/1	94.5	110	6.3	6.30 ^{+0.20} / _{+0.00}	94.50 ^{+0.000} / _{-0.087}	110.00 ^{+0.087} / _{+0.000}	51.90
MPS2000-115	94	115	8.1	8.10 ^{+0.20} / _{+0.00}	94.00 ^{+0.000} / _{-0.087}	115.00 ^{+0.087} / _{+0.000}	64.78
MPS2000-115/1	99.5	115	6.3	6.30 ^{+0.20} / _{+0.00}	99.50 ^{+0.000} / _{-0.087}	115.00 ^{+0.087} / _{+0.000}	72.28
MPS2000-120	99	120	8.1	8.10 ^{+0.20} / _{+0.00}	99.00 ^{+0.000} / _{-0.087}	120.00 ^{+0.087} / _{+0.000}	65.54
MPS2000-125	104	125	8.1	8.10 ^{+0.20} / _{+0.00}	104.00 ^{+0.000} / _{-0.087}	125.00 ^{+0.10} / _{+0.00}	71.96
MPS2000-125/1	109.5	125	6.3	6.30 ^{+0.20} / _{+0.00}	109.50 ^{+0.000} / _{-0.087}	125.00 ^{+0.10} / _{+0.00}	81.58
MPS2000-130	109	130	8.1	8.10 ^{+0.20} / _{+0.00}	109.00 ^{+0.000} / _{-0.087}	130.00 ^{+0.10} / _{+0.00}	76.55
MPS2000-135	114	135	8.1	8.10 ^{+0.20} / _{+0.00}	114.00 ^{+0.000} / _{-0.087}	135.00 ^{+0.10} / _{+0.00}	98.49
MPS2000-140	119	140	8.1	8.10 ^{+0.20} / _{+0.00}	119.00 ^{+0.000} / _{-0.087}	140.00 ^{+0.10} / _{+0.00}	89.50
MPS2000-145	124	145	8.1	8.10 ^{+0.20} / _{+0.00}	124.00 ^{+0.00} / _{-0.10}	145.00 ^{+0.10} / _{+0.00}	137.47
MPS2000-150	129	150	8.1	8.10 ^{+0.20} / _{+0.00}	129.00 ^{+0.00} / _{-0.10}	150.00 ^{+0.10} / _{+0.00}	93.99
MPS2000-160	139	160	8.1	8.10 ^{+0.20} / _{+0.00}	139.00 ^{+0.00} / _{-0.10}	160.00 ^{+0.10} / _{+0.00}	100.38
MPS2000-165	144	165	8.1	8.10 ^{+0.20} / _{+0.00}	144.00 ^{+0.00} / _{-0.10}	165.00 ^{+0.10} / _{+0.00}	203.46
MPS2000-170	149	170	8.1	8.10 ^{+0.20} / _{+0.00}	149.00 ^{+0.00} / _{-0.10}	170.00 ^{+0.10} / _{+0.00}	109.37
MPS2000-175	154	175	8.1	8.10 ^{+0.20} / _{+0.00}	154.00 ^{+0.00} / _{-0.10}	175.00 ^{+0.10} / _{+0.00}	119.40
MPS2000-180	159	180	8.1	8.10 ^{+0.20} / _{+0.00}	159.00 ^{+0.00} / _{-0.10}	180.00 ^{+0.10} / _{+0.00}	128.17
MPS2000-190	169	190	8.1	8.10 ^{+0.20} / _{+0.00}	169.00 ^{+0.00} / _{-0.10}	190.00 ^{+0.115} / _{+0.000}	161.67
MPS2000-200	179	200	8.1	8.10 ^{+0.20} / _{+0.00}	179.00 ^{+0.00} / _{-0.10}	200.00 ^{+0.115} / _{+0.000}	178.63
MPS2000-210	189	210	8.1	8.10 ^{+0.20} / _{+0.00}	189.00 ^{+0.000} / _{-0.115}	210.00 ^{+0.115} / _{+0.000}	187.61
MPS2000-220	199	220	8.1	8.10 ^{+0.20} / _{+0.00}	199.00 ^{+0.000} / _{-0.115}	220.00 ^{+0.115} / _{+0.000}	200.35
MPS2000-220A	205	220	8.1	8.10 ^{+0.20} / _{+0.00}	205.00 ^{+0.000} / _{-0.115}	220.00 ^{+0.115} / _{+0.000}	500.54
MPS2000-230	209	230	8.1	8.10 ^{+0.20} / _{+0.00}	209.00 ^{+0.000} / _{-0.115}	230.00 ^{+0.115} / _{+0.000}	228.95
MPS2000-240	225	240	8.1	8.10 ^{+0.20} / _{+0.00}	225.00 ^{+0.000} / _{-0.115}	240.00 ^{+0.115} / _{+0.000}	372.21
MPS2000-250	229	250	8.1	8.10 ^{+0.20} / _{+0.00}	229.00 ^{+0.000} / _{-0.115}	250.00 ^{+0.115} / _{+0.000}	297.31

STYLE MPSQ PISTON SEALS



MPSQ piston seals are designed for bi-directional, low friction sealing with increased stability and superior leakage control. This seal is highly effective in applications requiring media separation or low gas permeation rate. This double acting seal is primarily used in accumulators and heavy duty cylinders.



HERCULES PART NUMBERS

MPSQ - 16 X 5 X 4.2

Type of Seal Bore Diameter Groove Diameter Groove Width

SEAL INFORMATION	
MATERIAL	40% BRONZE FILLED PTFE, NBR ENERGIZER, NBR QUAD® RING
TEMPERATURE RANGE	-40 - +220° F
PRESSURE RANGE	0 TO 5000 PSI
SPEED	6 FT/SEC

PISTON SEAL ASSEMBLIES

Part Number	A Nom. ID	B Nom. OD	C Nom. Ht	D GROOVE WIDTH	H GROOVE DIAMETER	J BORE DIAMETER	List Price
MPSQ-28X17X4.2	17	28	4	4.20 +0.20 +0.00	17.00 +0.000 -0.043	28.00 +0.052 +0.000	\$22.46
MPSQ-30X19X4.2	19	30	4	4.20 +0.20 +0.00	19.00 +0.000 -0.052	30.00 +0.052 +0.000	27.41
MPSQ-32X21X4.2	21	32	4	4.20 +0.20 +0.00	21.00 +0.000 -0.052	32.00 +0.062 +0.000	27.41
MPSQ-35X24X4.2	24	35	4	4.20 +0.20 +0.00	24.00 +0.000 -0.052	35.00 +0.062 +0.000	28.45
MPSQ-40X29X4.2	29	40	4	4.20 +0.20 +0.00	29.00 +0.000 -0.052	40.00 +0.062 +0.000	25.56
MPSQ-42X31X4.2	31	42	4	4.20 +0.20 +0.00	31.00 +0.000 -0.062	42.00 +0.062 +0.000	25.56
MPSQ-45X34X4.2	34	45	4	4.20 +0.20 +0.00	34.00 +0.000 -0.062	45.00 +0.062 +0.000	31.00
MPSQ-50X34.5X6.3	34.5	50	6.1	6.30 +0.20 +0.00	34.50 +0.000 -0.062	50.00 +0.062 +0.000	36.46
MPSQ-50X39X4.2	39	50	4	4.20 +0.20 +0.00	39.00 +0.000 -0.062	50.00 +0.062 +0.000	30.07
MPSQ-52X41X4.2	41	52	4	4.20 +0.20 +0.00	41.00 +0.000 -0.062	52.00 +0.074 +0.000	32.33
MPSQ-55X44X4.2	44	55	4	4.20 +0.20 +0.00	44.00 +0.000 -0.062	55.00 +0.074 +0.000	34.62
MPSQ-63X47.5X6.3	47.5	63	6.1	6.30 +0.20 +0.00	47.50 +0.000 -0.062	63.00 +0.074 +0.000	41.84
MPSQ-63X52X4.2	52	63	4	4.20 +0.20 +0.00	52.00 +0.000 -0.074	63.00 +0.074 +0.000	41.84
MPSQ-65X54X4.2	54	65	4	4.20 +0.20 +0.00	54.00 +0.000 -0.074	65.00 +0.074 +0.000	42.01
MPSQ-70X54.5X6.3	54.5	70	6.1	6.30 +0.20 +0.00	54.50 +0.000 -0.074	70.00 +0.074 +0.000	58.08

STYLE MPSQ PISTON SEALS

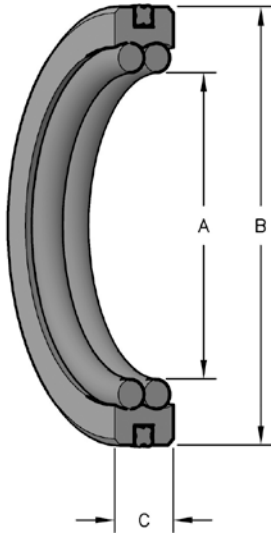
Part Number	A Nom. ID	B Nom. OD	C Nom. Ht	D GROOVE WIDTH	H GROOVE DIAMETER	J BORE DIAMETER	List Price
MPSQ-70X59X4.2	59	70	4	4.20 ^{+0.20} +0.00	59.00 ^{+0.000} -0.074	70.00 ^{+0.074} +0.000	44.29
MPSQ-75X64X4.2	64	75	4	4.20 ^{+0.20} +0.00	64.00 ^{+0.000} -0.074	75.00 ^{+0.074} +0.000	46.56
MPSQ-80X59X8.1	59	80	7.9	8.10 ^{+0.20} +0.00	59.00 ^{+0.000} -0.074	80.00 ^{+0.074} +0.000	81.38
MPSQ-80X64.5X6.3	64.5	80	6.1	6.30 ^{+0.20} +0.00	64.50 ^{+0.000} -0.074	80.00 ^{+0.074} +0.000	64.89
MPSQ-85X69.5X6.3	69.5	85	6.1	6.30 ^{+0.20} +0.00	69.50 ^{+0.000} -0.074	85.00 ^{+0.087} +0.000	73.75
MPSQ-90X74.5X6.3	74.5	90	6.1	6.30 ^{+0.20} +0.00	74.50 ^{+0.000} -0.074	90.00 ^{+0.087} +0.000	78.68
MPSQ-95X79.5X6.3	79.5	95	6.1	6.30 ^{+0.20} +0.00	79.50 ^{+0.000} -0.074	95.00 ^{+0.087} +0.000	88.58
MPSQ-100X84.5X6.3	84.5	100	6.1	6.30 ^{+0.20} +0.00	84.50 ^{+0.000} -0.087	100.00 ^{+0.087} +0.000	93.11
MPSQ-105X89.5X6.3	89.5	105	6.1	6.30 ^{+0.20} +0.00	89.50 ^{+0.000} -0.087	105.00 ^{+0.087} +0.000	93.94
MPSQ-110X94.5X6.3	94.5	110	6.1	6.30 ^{+0.20} +0.00	94.50 ^{+0.000} -0.087	110.00 ^{+0.087} +0.000	103.01
MPSQ-115X99.5X6.3	99.5	115	6.1	6.30 ^{+0.20} +0.00	99.50 ^{+0.000} -0.087	115.00 ^{+0.087} +0.000	124.02
MPSQ-120X104.5X6.3	104.5	120	6.1	6.30 ^{+0.20} +0.00	104.50 ^{+0.000} -0.087	120.00 ^{+0.087} +0.000	113.30
MPSQ-125X109.5X6.3	109.5	125	6.1	6.30 ^{+0.20} +0.00	109.50 ^{+0.000} -0.087	125.00 ^{+0.10} +0.00	127.31

PISTON SEAL ASSEMBLIES

STYLE MPSQ5 PISTON SEALS



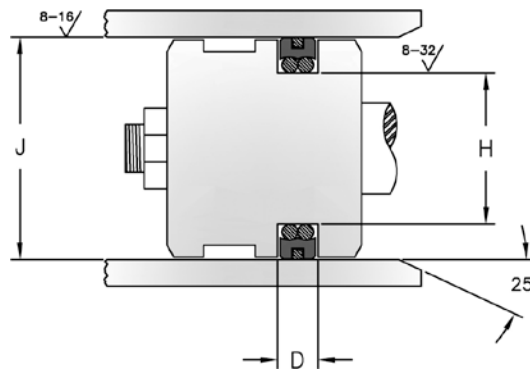
MPSQ5 piston seals are designed for bi-directional, low friction sealing with increased stability and superior leakage control. This seal is highly effective in applications requiring media separation or low gas permeation rate. This double acting seal is primarily used in accumulators and heavy duty cylinders.



HERCULES PART NUMBERS

MPSQ5 63 X 53 X 6.3

Type of Seal Outside Diameter Inside Diameter Groove Width



SEAL INFORMATION

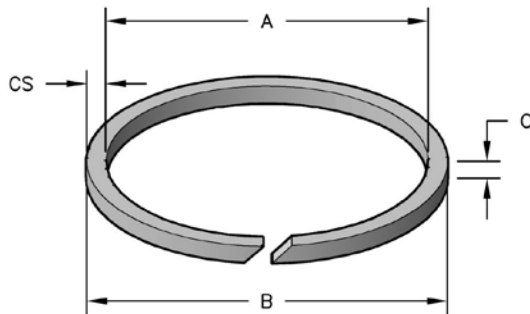
MATERIAL	BRONZE FILLED PTFE, NBR ENERGIZERS, NBR QUAD-RING®
TEMPERATURE RANGE	-22° TO 212°F
PRESSURE RANGE	0 TO 8,700 PSI
SPEED	9.8 FT/SEC

PISTON SEAL ASSEMBLIES

Part Number	A Nom. ID	B Nom. OD	C Nom. Ht	D GROOVE WIDTH	H GROOVE DIAMETER	J BORE DIAMETER	List Price
MPSQ5-63X53X6.3	53	63	6	6.30 +0.20 +0.00	53.00 +0.000 -0.074	63.00 +0.074 +0.000	\$32.33
MPSQ5-65X55X6.3	55	65	6	6.30 +0.20 +0.00	55.00 +0.000 -0.074	65.00 +0.074 +0.000	32.94
MPSQ5-70X60X6.3	60	70	6	6.30 +0.20 +0.00	60.00 +0.000 -0.074	70.00 +0.074 +0.000	63.17
MPSQ5-80X67X8.3	67	80	7.9	8.30 +0.20 +0.00	67.00 +0.000 -0.074	80.00 +0.074 +0.000	65.61
MPSQ5-90X77X8.3	77	90	7.9	8.30 +0.20 +0.00	77.00 +0.000 -0.074	90.00 +0.087 +0.000	67.13
MPSQ5-100X87X8.3	87	100	7.9	8.30 +0.20 +0.00	87.00 +0.000 -0.087	100.00 +0.087 +0.000	140.00
MPSQ5-110X97X8.3	97	110	7.9	8.30 +0.20 +0.00	97.00 +0.000 -0.087	110.00 +0.087 +0.000	194.28
MPSQ5-120X107X8.3	107	120	7.9	8.30 +0.20 +0.00	107.00 +0.000 -0.087	120.00 +0.087 +0.000	96.46
MPSQ5-140X122X12.3	122	140	11.9	12.30 +0.20 +0.00	122.00 +0.00 -0.10	140.00 +0.10 +0.00	132.69
MPSQ5-180X162X12.3	162	180	11.9	12.30 +0.20 +0.00	162.00 +0.00 -0.10	180.00 +0.10 +0.00	246.15
MPSQ5-200X182X12.3	182	200	11.9	12.30 +0.20 +0.00	182.00 +0.000 -0.115	200.00 +0.115 +0.000	379.36
MPSQ5-220X202X12.3	202	220	11.9	12.30 +0.20 +0.00	202.00 +0.000 -0.115	220.00 +0.115 +0.000	395.77

STYLE MBNP PISTON SEAL ANTI-EXTRUSION RINGS

Placed in adjacent grooves on each side of style MPS piston seals, they prevent cold flow or extrusion at high pressures.



HERCULES PART NUMBERS

MBNP - 95 X 2.5 X 2.5

Type of Seal Outside Diameter Cross Section Width

SEAL INFORMATION

MATERIAL	NYLON
TEMPERATURE RANGE	-65° TO +220° F
PRESSURE RANGE	0 TO 5,000 PSI

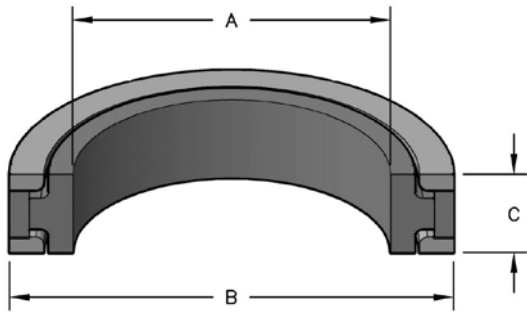
Part Number	A Nom. ID	B Nom. OD	C Nom. Ht	List Price
MBNP-95X2.5X2.5	90	95	2.5	\$14.84
MBNP-100X2.5X2.5	95	100	2.5	14.84
MBNP-105X2.5X2.5	100	105	2.5	15.87
MBNP-110X3X3	104	110	3	16.69
MBNP-110X2.5X2.5	105	110	2.5	15.87
MBNP-115X3X3	109	115	3	18.52
MBNP-115X2.5X2.5	110	115	2.5	13.80
MBNP-120X3X3	114	120	3	18.52
MBNP-125X3X3	119	125	3	20.38
MBNP-130X3X3	124	130	3	20.38
MBNP-135X3X3	129	135	3	22.22
MBNP-140X3X3	134	140	3	24.10
MBNP-145X3X3	139	145	3	24.10
MBNP-150X3X3	144	150	3	25.93
MBNP-160X3X3	154	160	3	27.83
MBNP-170X3X3	164	170	3	29.65
MBNP-180X3X3	174	180	3	31.48
MBNP-190X3X3	184	190	3	35.23
MBNP-215X3X3	209	215	3	47.24

Seal color may vary. Special order sizes are available. Sizes not shown and out of stock items can also be ordered for next day delivery through Seals On Demand, our custom seal program. Please call your regional sales team for assistance.

STYLE MCPS FOUR PIECE PISTON SEALS



This capped piston seal consists of a filled PTFE cap, a T-shaped NBR energizer, and two split nylon backup rings. It exhibits low friction, high sealability, and excellent resistance to extrusion and wear.

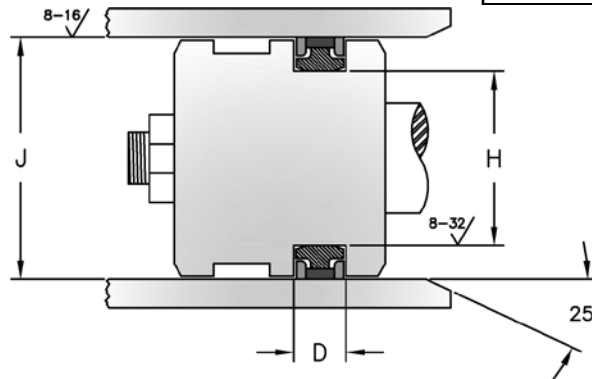


HERCULES PART NUMBERS

MCPS - 50 X 36 X 8.5
 Type of Seal Bore Diameter Groove Diameter Height

BR = BRONZE FILLED PTFE CAP

SEAL INFORMATION	
MATERIAL	PTFE PISTON SEAL NYLON BACK-UP NITRILE ENERGIZER
TEMPERATURE RANGE	-40° TO +220° F
PRESSURE RANGE	0 TO 6,000 psi
SPEED	4.5 FT/SEC



Part Number	A Nom. ID	B Nom. OD	C Nom. Ht	D GROOVE WIDTH	H GROOVE DIAMETER	J BORE DIAMETER	List Price
MCPS-32X21X7.7	21	32	7.7	8.20 +0.20 +0.00	21.00 +0.000 -0.052	32.00 +0.062 +0.000	\$92.23
MCPS-40X30X8BR	30	40	8	8.00 +0.20 +0.00	30.00 +0.000 -0.052	40.00 +0.062 +0.000	14.09
MCPS-50X36X8.5	36	50	8.5	9.00 +0.20 +0.00	36.00 +0.000 -0.062	50.00 +0.062 +0.000	58.67
MCPS-50X40X7.5	40	50	7.5	8.00 +0.20 +0.00	40.00 +0.000 -0.062	50.00 +0.062 +0.000	58.93
MCPS-55X41X8.5	41	55	8.5	9.00 +0.20 +0.00	41.00 +0.000 -0.062	55.00 +0.074 +0.000	51.49
MCPS-56X45X8	45	56	8	8.00 +0.20 +0.00	45.00 +0.000 -0.062	56.00 +0.074 +0.000	68.90
MCPS-60X46X8.5	46	60	8.5	9.00 +0.20 +0.00	46.00 +0.000 -0.062	60.00 +0.074 +0.000	57.35
MCPS-63X48X10.5	48	63	10.5	11.00 +0.20 +0.00	48.00 +0.000 -0.062	63.00 +0.074 +0.000	38.96
MCPS-63X53X7.5	53	63	7.5	8.00 +0.20 +0.00	53.00 +0.000 -0.074	63.00 +0.074 +0.000	83.27
MCPS-65X50X10.5	50	65	10.5	11.00 +0.20 +0.00	50.00 +0.000 -0.062	65.00 +0.074 +0.000	34.35
MCPS-65X51X8.5	51	65	8.5	9.00 +0.20 +0.00	51.00 +0.000 -0.074	65.00 +0.074 +0.000	89.71
MCPS-70X55X10.5	55	70	10.5	11.00 +0.20 +0.00	55.00 +0.000 -0.074	70.00 +0.074 +0.000	57.35
MCPS-70X55X12	55	70	12	12.50 +0.20 +0.00	55.00 +0.000 -0.074	70.00 +0.074 +0.000	80.47
MCPS-70X60X7.5	60	70	7.5	8.00 +0.20 +0.00	60.00 +0.000 -0.074	70.00 +0.074 +0.000	55.84
MCPS-75X60X10.5	60	75	10.5	11.00 +0.20 +0.00	60.00 +0.000 -0.074	75.00 +0.074 +0.000	55.62



STYLE MCPS FOUR PIECE PISTON SEALS

PISTON SEAL ASSEMBLIES

Part Number	A Nom. ID	B Nom. OD	C Nom. Ht	D GROOVE WIDTH	H GROOVE DIAMETER	J BORE DIAMETER	List Price
MCPS-75X63X8.6	63	75	8.6	9.10 +0.20 -0.00	63.00 +0.000 -0.074	75.00 +0.074 +0.000	59.70
MCPS-80X65X10.5	65	80	10.5	11.00 +0.20 +0.00	65.00 +0.000 -0.074	80.00 +0.074 +0.000	62.35
MCPS-80X65X11.5	65	80	11.5	12.00 +0.20 +0.00	65.00 +0.000 -0.074	80.00 +0.074 +0.000	61.95
MCPS-85X70X10.5	70	85	10.5	11.00 +0.20 +0.00	70.00 +0.000 -0.074	85.00 +0.087 +0.000	71.68
MCPS-90X73X14	73	90	14	14.00 +0.20 +0.00	73.00 +0.000 -0.074	90.00 +0.087 +0.000	59.39
MCPS-90X75X10.5	75	90	10.5	11.00 +0.20 +0.00	75.00 +0.000 -0.074	90.00 +0.087 +0.000	70.24
MCPS-90X75X11.5	75	90	11.5	12.00 +0.20 +0.00	75.00 +0.000 -0.074	90.00 +0.087 +0.000	67.66
MCPS-90X75X12.5	75	90	12.5	12.50 +0.25 +0.00	75.00 +0.000 -0.074	90.00 +0.087 +0.000	91.43
MCPS-95X80X10.5	80	95	10.5	11.00 +0.20 +0.00	80.00 +0.000 -0.074	95.00 +0.087 +0.000	71.68
MCPS-95X80X12	80	95	12	12.50 +0.20 +0.00	80.00 +0.000 -0.074	95.00 +0.087 +0.000	74.99
MCPS-100X85X12	85	100	12	12.50 +0.20 +0.00	85.00 +0.000 -0.087	100.00 +0.087 +0.000	75.88
MCPS-105X90X12	90	105	12	12.50 +0.20 +0.00	90.00 +0.000 -0.087	105.00 +0.087 +0.000	79.32
MCPS-110X95X12	95	110	12	12.50 +0.20 +0.00	95.00 +0.000 -0.087	110.00 +0.087 +0.000	80.76
MCPS-115X100X12	100	115	12	12.50 +0.20 +0.00	100.00 +0.000 -0.087	115.00 +0.087 +0.000	89.22
MCPS-120X100X15.5	100	120	15.5	16.00 +0.20 +0.00	100.00 +0.000 -0.087	120.00 +0.087 +0.000	118.52
MCPS-120X105X12	105	120	12	12.50 +0.20 +0.00	105.00 +0.000 -0.087	120.00 +0.087 +0.000	84.16
MCPS-125X102X15.5	102	125	15.5	16.00 +0.20 +0.00	102.00 +0.000 -0.087	125.00 +0.10 +0.00	93.57
MCPS-125X105X15.5	105	125	15.5	16.00 +0.20 +0.00	105.00 +0.000 -0.087	125.00 +0.10 +0.00	128.10
MCPS-125X110X12.5	110	125	12.5	12.50 +0.20 +0.00	110.00 +0.000 -0.087	125.00 +0.10 +0.00	84.84
MCPS-130X107X15.5	107	130	15.5	16.00 +0.20 +0.00	107.00 +0.000 -0.087	130.00 +0.10 +0.00	101.11
MCPS-130X110X15.5	110	130	15.5	16.00 +0.20 +0.00	110.00 +0.000 -0.087	130.00 +0.10 +0.00	117.37
MCPS-130X115X12.5	115	130	12.5	12.50 +0.20 +0.00	115.00 +0.000 -0.087	130.00 +0.10 +0.00	88.48
MCPS-135X112X15.5	112	135	15.5	16.00 +0.20 +0.00	112.00 +0.000 -0.087	135.00 +0.10 +0.00	107.59
MCPS-140X117X15.5	117	140	15.5	16.00 +0.20 +0.00	117.00 +0.000 -0.087	140.00 +0.10 +0.00	114.50
MCPS-140X120X15.5	120	140	15.5	16.00 +0.20 +0.00	120.00 +0.000 -0.087	140.00 +0.10 +0.00	145.24
MCPS-140X120X18.5	120	140	18.5	19.00 +0.20 +0.00	120.00 +0.000 -0.087	140.00 +0.10 +0.00	136.89
MCPS-145X122X15.5	122	145	15.5	16.00 +0.20 +0.00	122.00 +0.00 -0.10	145.00 +0.10 +0.00	115.34
MCPS-150X127X15.5	127	150	15.5	16.00 +0.20 +0.00	127.00 +0.00 -0.10	150.00 +0.10 +0.00	124.56
MCPS-150X130X18.5	130	150	18.5	19.00 +0.20 +0.00	130.00 +0.00 -0.10	150.00 +0.10 +0.00	164.42
MCPS-150X135X12	135	150	12	12.50 +0.20 +0.00	135.00 +0.00 -0.10	150.00 +0.063 +0.000	95.28
MCPS-155X132X15.5	132	155	15.5	16.00 +0.20 +0.00	132.00 +0.00 -0.10	155.00 +0.10 +0.00	96.45
MCPS-160X137X15.5	137	160	15.5	16.00 +0.20 +0.00	137.00 +0.00 -0.10	160.00 +0.10 +0.00	141.48
MCPS-160X140X15.5	140	160	15.5	16.00 +0.20 +0.00	140.00 +0.00 -0.10	160.00 +0.10 +0.00	129.89

STYLE MCPS FOUR PIECE PISTON SEALS




Part Number	A Nom. ID	B Nom. OD	C Nom. Ht	D GROOVE WIDTH	H GROOVE DIAMETER	J BORE DIAMETER	List Price
MCPS-160X140X18.5	140	160	18.5	19.00 ^{+0.20} / _{+0.00}	140.00 ^{+0.00} / _{-0.10}	160.00 ^{+0.10} / _{+0.00}	169.68
MCPS-160X145X12.5	145	160	12.5	13.00 ^{+0.20} / _{+0.00}	145.00 ^{+0.00} / _{-0.10}	160.00 ^{+0.10} / _{+0.00}	164.12
MCPS-165X142X15.5	142	165	15.5	16.00 ^{+0.20} / _{+0.00}	142.00 ^{+0.00} / _{-0.10}	165.00 ^{+0.10} / _{+0.00}	156.44
MCPS-170X147X15.5	147	170	15.5	16.00 ^{+0.00} / _{-0.20}	147.00 ^{+0.00} / _{-0.10}	170.00 ^{+0.10} / _{+0.00}	160.31
MCPS-175X152X15.5	152	175	15.5	16.00 ^{+0.20} / _{+0.00}	152.00 ^{+0.00} / _{-0.10}	175.00 ^{+0.10} / _{+0.00}	123.63
MCPS-180X157X15.5	157	180	15.5	16.00 ^{+0.20} / _{+0.00}	157.00 ^{+0.00} / _{-0.10}	180.00 ^{+0.10} / _{+0.00}	148.29
MCPS-180X160X15.5	160	180	15.5	16.00 ^{+0.20} / _{+0.00}	160.00 ^{+0.00} / _{-0.10}	180.00 ^{+0.10} / _{+0.00}	145.44
MCPS-180X165X12.5BR	165	180	12	12.50 ^{+0.20} / _{+0.00}	165.00 ^{+0.00} / _{-0.10}	180.00 ^{+0.10} / _{+0.00}	197.42
MCPS-185X162X15.5	162	185	15.5	16.00 ^{+0.20} / _{+0.00}	162.00 ^{+0.00} / _{-0.10}	185.00 ^{+0.115} / _{+0.000}	155.03
MCPS-190X167X15.5	167	190	15.5	16.00 ^{+0.20} / _{+0.00}	167.00 ^{+0.00} / _{-0.10}	190.00 ^{+0.115} / _{+0.000}	187.16
MCPS-190X175X12.5	175	190	12.5	13.00 ^{+0.20} / _{+0.00}	175.00 ^{+0.00} / _{-0.10}	190.00 ^{+0.115} / _{+0.000}	262.69
MCPS-195X172X15.5	172	195	15.5	16.00 ^{+0.20} / _{+0.00}	172.00 ^{+0.00} / _{-0.10}	195.00 ^{+0.115} / _{+0.000}	149.78
MCPS-200X167X23.3BR	167	200	23.3	23.80 ^{+0.20} / _{+0.00}	167.00 ^{+0.00} / _{-0.10}	200.00 ^{+0.115} / _{+0.000}	480.95
MCPS-200X177X15.5BR	177	200	15.5	16.00 ^{+0.20} / _{+0.00}	177.00 ^{+0.00} / _{-0.10}	200.00 ^{+0.115} / _{+0.000}	175.11
MCPS-200X180X18.5	180	200	18.5	18.50 ^{+0.20} / _{+0.00}	180.00 ^{+0.00} / _{-0.10}	200.00 ^{+0.115} / _{+0.000}	153.29
MCPS-210X187X15.5	187	210	15.5	16.00 ^{+0.20} / _{+0.00}	187.00 ^{+0.000} / _{-0.115}	210.00 ^{+0.115} / _{+0.000}	159.96
MCPS-215X192X15.5BR	192	215	15.5	16.00 ^{+0.20} / _{+0.00}	192.00 ^{+0.000} / _{-0.115}	215.00 ^{+0.115} / _{+0.000}	188.24
MCPS-220X197X15.5	197	220	15.5	16.00 ^{+0.20} / _{+0.00}	197.00 ^{+0.000} / _{-0.115}	220.00 ^{+0.115} / _{+0.000}	168.03
MCPS-225X202X15.5	202	225	15.5	16.00 ^{+0.20} / _{+0.00}	202.00 ^{+0.000} / _{-0.115}	225.00 ^{+0.115} / _{+0.000}	222.99
MCPS-230X207X15.5	207	230	15.5	16.00 ^{+0.20} / _{+0.00}	207.00 ^{+0.000} / _{-0.115}	230.00 ^{+0.115} / _{+0.000}	179.93
MCPS-230X210X16	210	230	16	16.00 ^{+0.20} / _{+0.00}	210.00 ^{+0.000} / _{-0.115}	230.00 ^{+0.115} / _{+0.000}	355.73
MCPS-240X217X15.5	217	240	15.5	16.00 ^{+0.20} / _{+0.00}	217.00 ^{+0.000} / _{-0.115}	240.00 ^{+0.115} / _{+0.000}	180.70
MCPS-250X210X25.5BR	210	250	25.5	26.00 ^{+0.20} / _{+0.00}	210.00 ^{+0.000} / _{-0.115}	250.00 ^{+0.115} / _{+0.000}	802.67
MCPS-250X222X17	222	250	17	17.50 ^{+0.20} / _{+0.00}	222.00 ^{+0.000} / _{-0.115}	250.00 ^{+0.115} / _{+0.000}	238.19
MCPS-260X232X17	232	260	17	17.50 ^{+0.20} / _{+0.00}	232.00 ^{+0.000} / _{-0.115}	260.00 ^{+0.13} / _{+0.00}	238.19
MCPS-260X240X16	240	260	16	16.50 ^{+0.20} / _{+0.00}	240.00 ^{+0.000} / _{-0.115}	260.00 ^{+0.13} / _{+0.00}	385.68
MCPS-280X252X17	252	280	17	17.50 ^{+0.20} / _{+0.00}	252.00 ^{+0.00} / _{-0.13}	280.00 ^{+0.13} / _{+0.00}	267.09
MCPS-300X260X25.5BR	260	300	25.5	26.00 ^{+0.20} / _{+0.00}	260.00 ^{+0.00} / _{-0.13}	300.00 ^{+0.13} / _{+0.00}	965.37
MCPS-300X272X17	272	300	17	17.50 ^{+0.20} / _{+0.00}	272.00 ^{+0.00} / _{-0.13}	300.00 ^{+0.13} / _{+0.00}	354.55


PISTON SEAL ASSEMBLIES

REPLACEMENT SPECIFIC PISTON SEALS FOR CATERPILLAR® EQUIPMENT

These seals are specials for certain Caterpillar® cylinders. **NOTE:** Caterpillar® part numbers are used as a reference only. We do not imply that these parts are original equipment parts.

PISTON SEAL TYPE	MATERIAL	TEMPERATURE RANGE	PRESSURE RANGE	
2 PIECE PISTON SEAL	PTFE PISTON SEAL 70A NITRILE ENERGIZER	-40° TO 220° F	0 TO 5,000 PSI	

Part Number	A Nom. ID	B Nom. OD	C Nom. Ht	D GROOVE WIDTH	H GROOVE DIAMETER	J BORE DIAMETER	List Price
CTC-1200890	60	75	7.3	7.50 ^{+0.20} _{+0.00}	60.00 ^{+0.000} _{-0.074}	75.00 ^{+0.074} _{+0.000}	\$26.95


PISTON SEAL TYPE	MATERIAL	TEMPERATURE RANGE	PRESSURE RANGE	
2 PIECE STEP CUT PISTON SEAL	NYLON SEAL 70A NITRILE ENERGIZER	-40° TO 220° F	0 TO 5,000 PSI	

Part Number	B Nom. OD	D GROOVE WIDTH	H GROOVE DIAMETER	J BORE DIAMETER	List Price
CTC-1846970	75	6.40 ±0.05	59.46 ±0.08	75.00	\$94.03
CTC-1841687	85	6.40 ±0.05	69.46 ±0.08	85.00	92.43
CTC-9X7298	100	7.24 ±0.05	85.75 ±0.08	100.00	88.74
CTC-9X7301	110	7.24 ±0.05	95.75 ±0.08	110.00	92.42
CTC-9X3589	115	7.24 ±0.05	100.76 ±0.08	115.00	67.46
CTC-9X3592	120	7.24 ±0.05	105.74 ±0.08	120.00	95.30
CTC-9X3595	130	7.24 ±0.05	115.74 ±0.08	130.00	37.63
CTC-2371934	135	7.24 ±0.05	120.74 ±0.08	135.00	172.65
CTC-9X3598	140	9.63 ±0.05	120.62 ±0.08	140.00	114.06
CTC-4958212	150	9.63 ±0.05	130.63 ±0.08	150.00	106.16
CTC-9X3601	150	9.63 ±0.05	130.63 ±0.08	150.00	106.16
CTC-9X3604	160	9.63 ±0.05	140.61 ±0.08	160.00	87.08
CTC-9X3607	170	9.63 ±0.05	150.62 ±0.08	170.00	123.19
CTC-9X3610	180	9.63 ±0.05	160.62 ±0.08	180.00	93.25
CTC-1251286	190	9.63 ±0.05	170.62 ±0.08	190.00	101.72
CTC-4958218	190	9.63 ±0.05	170.62 ±0.08	190.00	101.72
CTC-1723918	210	9.63 ±0.05	184.74 ±0.08	210.00	68.38
CTC-1921425	220	9.63 ±0.05	194.74 ±0.08	220.00	120.15
CTC-8C9182	220	9.63 ±0.05	194.74 ±0.08	220.00	120.15


PISTON SEAL ASSEMBLIES

REPLACEMENT SPECIFIC PISTON SEALS FOR CATERPILLAR® EQUIPMENT

PISTON SEAL ASSEMBLIES

PISTON SEAL TYPE	MATERIAL	TEMPERATURE RANGE	PRESSURE RANGE	
4 PIECE PISTON SEAL	PTFE PISTON SEAL NYLON BACK-UP BUNA-N ENERGIZER	-40° TO +220° F	0 TO 6,000 PSI	

Part Number	A Nom. ID	B Nom. OD	C Nom. Ht	D GROOVE WIDTH	H GROOVE DIAMETER	J BORE DIAMETER	List Price
CTC-0996998	65	80	10.5	11.00 ^{+0.20} / _{+0.00}	65.00 ^{+0.000} / _{-0.074}	80.00 ^{+0.074} / _{+0.000}	\$69.35
CTC-0996973	75	90	10.5	11.00 ^{+0.20} / _{+0.00}	75.00 ^{+0.000} / _{-0.074}	90.00 ^{+0.087} / _{+0.000}	78.13
CTC-5I5928	85	100	12	12.50 ^{+0.20} / _{+0.00}	85.00 ^{+0.000} / _{-0.087}	100.00 ^{+0.087} / _{+0.000}	84.41
CTC-0996922	95	110	12	12.50 ^{+0.20} / _{+0.00}	95.00 ^{+0.000} / _{-0.087}	110.00 ^{+0.087} / _{+0.000}	89.83
CTC-A04601713	95	110	12	12.50 ^{+0.20} / _{+0.00}	95.00 ^{+0.000} / _{-0.087}	110.00 ^{+0.087} / _{+0.000}	89.83
CTC-A04601719	137	160	15.5	16.00 ^{+0.20} / _{+0.00}	137.00 ^{+0.00} / _{-0.10}	160.00 ^{+0.10} / _{+0.00}	157.38

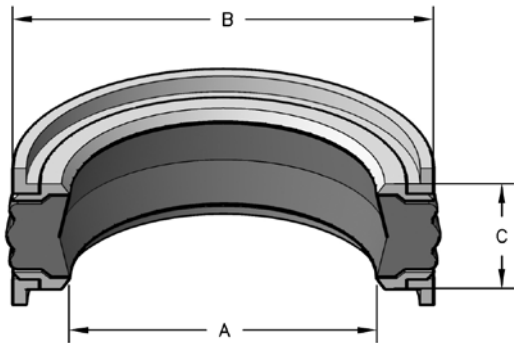
PISTON SEAL TYPE	MATERIAL	TEMPERATURE RANGE	PRESSURE RANGE	
5 PIECE PISTON SEAL	70A NBR / FABRIC SEAL PTFE BACK-UP NYLON BEARING	-20° TO 190° F	0 TO 5,000 PSI	

Part Number	A Nom. ID	B Nom. OD	C Nom. Ht	D SEAL GROOVE WIDTH	D ₁ BEARING GROOVE WIDTH	H GROOVE DIAMETER	H ₁ BEARING GROOVE DIAMETER	J BORE DIAMETER	List Price
CTC-A04601215	96	110	22	22.00	9.95	96.00	101.50	110.00	\$238.93
CTC-A04601216	106	120	22	22.00	9.95	106.00	111.50	120.00	238.93



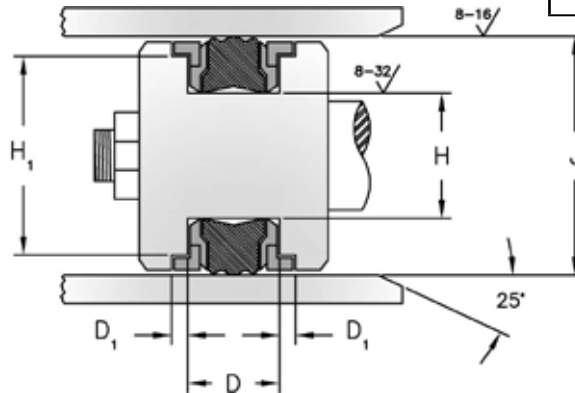
STYLE MPSA FIVE PIECE PISTON SEALS

Designed to fit on one or two piece pistons, this piston seal employs a nitrile seal for high sealability, nylon split back-ups for extrusion resistance, and two split bearing rings. No further support bearings are required.



HERCULES PART NUMBERS

MPSA - 020
 Type of Seal Bore Diameter



SEAL INFORMATION	
MATERIAL	70A NBR SEAL NYLON BACK-UP & BEARING
TEMPERATURE RANGE	-22° TO +212° F
PRESSURE RANGE	0 TO 6,000 PSI
SPEED	1.5 FT/SEC

PISTON SEAL ASSEMBLIES

Part Number	A Nom. ID	B Nom. OD	C Nom. Ht	D SEAL GROOVE WIDTH	D ₁ BEARING GROOVE WIDTH	H GROOVE DIAMETER	H ₁ BEARING GROOVE DIAMETER	J BORE DIAMETER	List Price
MPSA-020	11	20	13.5	13.50 +0.20 +0.00	2.10 +0.10 +0.00	11.00 +0.000 -0.043	17.00 +0.000 -0.043	20.00 +0.084 +0.000	\$16.55
MPSA-025	15	25	12.5	12.50 +0.20 +0.00	4.00 +0.10 +0.00	15.00 +0.000 -0.043	22.00 +0.000 -0.052	25.00 +0.084 +0.000	16.55
MPSA-025A	15	25	16.4	16.40 +0.20 +0.00	6.35 +0.10 +0.00	15.00 +0.000 -0.043	21.40 +0.000 -0.052	25.00 +0.084 +0.000	16.55
MPSA-025B	16	25	13.5	13.50 +0.20 +0.00	2.10 +0.10 +0.00	16.00 +0.000 -0.043	22.00 +0.000 -0.052	25.00 +0.084 +0.000	16.55
MPSA-030A	21	30	13.5	13.50 +0.20 +0.00	2.10 +0.10 +0.00	21.00 +0.000 -0.052	27.00 +0.000 -0.052	30.00 +0.084 +0.000	17.02
MPSA-032A	22	32	12.5	12.50 +0.20 +0.00	4.00 +0.10 +0.00	22.00 +0.000 -0.052	27.40 +0.000 -0.052	32.00 +0.10 +0.00	25.80
MPSA-032C	22	32	15.5	15.50 +0.20 +0.00	2.60 +0.10 +0.00	22.00 +0.000 -0.052	28.00 +0.000 -0.052	32.00 +0.10 +0.00	24.12
MPSA-032	22	32	16.3	16.30 +0.20 +0.00	6.35 +0.10 +0.00	22.00 +0.000 -0.052	28.50 -1.00 -0.05	32.00 +0.10 +0.00	25.80
MPSA-032D	24	32	15.5	15.50 +0.20 +0.00	3.20 +0.10 +0.00	24.00 +0.000 -0.052	28.00 +0.000 -0.052	32.00 +0.10 +0.00	24.12
MPSA-035A	25	35	15.5	15.50 +0.20 +0.00	2.60 +0.10 +0.00	25.00 +0.000 -0.052	31.00 +0.000 -0.062	35.00 +0.10 +0.00	26.70
MPSA-035	25	35	16.4	16.40 +0.20 +0.00	6.35 +0.10 +0.00	25.00 +0.000 -0.052	31.40 +0.000 -0.062	35.00 +0.10 +0.00	19.06
MPSA-040D	26	40	15.5	15.50 +0.20 +0.00	2.60 +0.10 +0.00	26.00 +0.000 -0.052	36.00 +0.000 -0.062	40.00 +0.10 +0.00	28.45
MPSA-040F	30	40	12.5	12.50 +0.20 +0.00	4.00 +0.10 +0.00	30.00 +0.000 -0.052	37.00 +0.000 -0.062	40.00 +0.10 +0.00	28.45
MPSA-040E	30	40	16.4	16.40 +0.20 +0.00	6.35 +0.10 +0.00	30.00 +0.000 -0.052	35.40 +0.000 -0.062	40.00 +0.10 +0.00	28.45
MPSA-040H	32	40	10	10.00 +0.20 +0.00	4.00 +0.10 +0.00	32.00 +0.000 -0.062	37.00 +0.000 -0.062	40.00 +0.10 +0.00	27.34

STYLE MPSA FIVE PIECE PISTON SEALS



PISTON SEAL ASSEMBLIES

Part Number	A Nom. ID	B Nom. OD	C Nom. Ht	D SEAL GROOVE WIDTH	D ₁ BEARING GROOVE WIDTH	H GROOVE DIAMETER	H ₁ BEARING GROOVE DIAMETER	J BORE DIAMETER	List Price
MPSA-040G	32	40	15.5	15.50 +0.20 +0.00	3.20 +0.10 +0.00	32.00 +0.000 -0.062	36.00 +0.000 -0.062	40.00 +0.10 +0.00	28.45
MPSA-045A	29	45	18.4	18.40 +0.20 +0.00	6.35 +0.10 +0.00	29.00 +0.000 -0.052	40.40 +0.000 -0.062	45.00 +0.10 +0.00	29.64
MPSA-045B	31	45	15.5	15.50 +0.20 +0.00	2.60 +0.10 +0.00	31.00 +0.000 -0.062	41.00 +0.000 -0.062	45.00 +0.10 +0.00	29.64
MPSA-045	35	45	16.4	16.40 +0.20 +0.00	6.35 +0.10 +0.00	35.00 +0.000 -0.062	40.40 +0.000 -0.062	45.00 +0.10 +0.00	29.55
MPSA-050	34	50	18.4	18.40 +0.20 +0.00	6.35 +0.10 +0.00	34.00 +0.000 -0.062	45.40 +0.000 -0.062	50.00 +0.10 +0.00	30.31
MPSA-050-L43	34	50	18.4	18.40 +0.20 +0.00	6.40 +0.10 +0.00	34.00 +0.000 -0.062	45.40 +0.000 -0.039	50.00 +0.039 +0.000	30.87
MPSA-050D	34	50	20.5	20.50 +0.20 +0.00	3.10 +0.10 +0.00	34.00 +0.000 -0.062	46.00 +0.000 -0.062	50.00 +0.10 +0.00	31.28
MPSA-050A	38	50	20.5	20.50 +0.20 +0.00	4.20 +0.10 +0.00	38.00 +0.000 -0.062	46.00 +0.000 -0.062	50.00 +0.10 +0.00	30.31
MPSA-050B	40	50	12.5	12.50 +0.20 +0.00	4.00 +0.10 +0.00	40.00 +0.000 -0.062	47.00 +0.000 -0.062	50.00 +0.10 +0.00	30.31
MPSA-055	39	55	18.4	18.40 +0.20 +0.00	6.40 +0.10 +0.00	39.00 +0.000 -0.062	50.40 +0.000 -0.074	55.00 +0.12 +0.00	33.55
MPSA-055B	39	55	20.5	20.50 +0.20 +0.00	3.10 +0.10 +0.00	39.00 +0.000 -0.062	51.00 +0.000 -0.074	55.00 +0.12 +0.00	32.29
MPSA-060	44	60	18.4	18.40 +0.20 +0.00	6.35 +0.10 +0.00	44.00 +0.000 -0.062	55.40 +0.000 -0.074	60.00 +0.12 +0.00	35.77
MPSA-060C	44	60	20.5	20.50 +0.20 +0.00	3.10 +0.10 +0.00	44.00 +0.000 -0.062	56.00 +0.000 -0.074	60.00 +0.12 +0.00	18.87
MPSA-060B	48	60	20.5	20.50 +0.20 +0.00	4.20 +0.10 +0.00	48.00 +0.000 -0.062	56.00 +0.000 -0.074	60.00 +0.12 +0.00	35.77
MPSA-063E	47	63	18.4	18.40 +0.20 +0.00	6.35 +0.10 +0.00	47.00 +0.000 -0.062	58.40 +0.000 -0.074	63.00 +0.12 +0.00	21.22
MPSA-063	47	63	19.4	19.40 +0.20 +0.00	6.35 +0.10 +0.00	47.00 +0.000 -0.062	58.40 +0.000 -0.074	63.00 +0.12 +0.00	38.75
MPSA-063C	47	63	20.5	20.50 +0.20 +0.00	3.10 +0.10 +0.00	47.00 +0.000 -0.062	59.00 +0.000 -0.074	63.00 +0.12 +0.00	49.32
MPSA-063A	51	63	20.15	20.15 +0.20 +0.00	4.20 +0.10 +0.00	51.00 +0.000 -0.074	59.00 +0.000 -0.074	63.00 +0.12 +0.00	38.75
MPSA-063B	53	63	12.5	12.50 +0.20 +0.00	4.00 +0.10 +0.00	53.00 +0.000 -0.074	60.00 +0.000 -0.074	63.00 +0.12 +0.00	38.75
MPSA-065A	49	65	20.5	20.50 +0.20 +0.00	3.10 +0.10 +0.00	49.00 +0.000 -0.062	61.00 +0.000 -0.074	65.00 +0.12 +0.00	24.20
MPSA-065	50	65	18.4	18.40 +0.20 +0.00	6.35 +0.10 +0.00	50.00 +0.000 -0.062	60.40 +0.000 -0.074	65.00 +0.12 +0.00	38.82
MPSA-070	50	70	22.4	22.40 +0.20 +0.00	6.35 +0.10 +0.00	50.00 +0.000 -0.062	64.20 +0.000 -0.074	70.00 +0.12 +0.00	39.72
MPSA-070B	54	70	20.5	20.50 +0.20 +0.00	3.10 +0.10 +0.00	54.00 +0.000 -0.074	66.00 +0.000 -0.074	70.00 +0.12 +0.00	48.98
MPSA-070C	55	70	20	20.00 +0.20 +0.00	5.00 +0.10 +0.00	55.00 +0.000 -0.074	66.00 +0.000 -0.074	70.00 +0.12 +0.00	43.94
MPSA-070A	58	70	20.5	20.50 +0.20 +0.00	4.20 +0.10 +0.00	58.00 +0.000 -0.074	66.00 +0.000 -0.074	70.00 +0.12 +0.00	39.72
MPSA-075	55	75	22.4	22.40 +0.20 +0.00	6.35 +0.10 +0.00	55.00 +0.000 -0.074	69.20 +0.000 -0.074	75.00 +0.12 +0.00	41.21
MPSA-075A	59	75	20.5	20.50 +0.20 +0.00	3.10 +0.10 +0.00	59.00 +0.000 -0.074	71.00 +0.000 -0.074	75.00 +0.12 +0.00	33.97
MPSA-080	60	80	22.4	22.40 +0.20 +0.00	6.35 +0.10 +0.00	60.00 +0.000 -0.074	74.20 +0.000 -0.074	80.00 +0.12 +0.00	44.99
MPSA-080D	60	80	25	25.00 +0.20 +0.00	6.35 +0.10 +0.00	60.00 +0.000 -0.074	75.00 +0.000 -0.074	80.00 +0.12 +0.00	44.99
MPSA-080C	62	80	22.5	22.50 +0.20 +0.00	3.60 +0.10 +0.00	62.00 +0.000 -0.074	76.00 +0.000 -0.074	80.00 +0.12 +0.00	44.99
MPSA-080B	65	80	20	20.00 +0.20 +0.00	5.00 +0.10 +0.00	65.00 +0.000 -0.074	76.00 +0.000 -0.074	80.00 +0.12 +0.00	34.13
MPSA-080A	66	80	22.5	22.50 +0.20 +0.00	5.20 +0.10 +0.00	66.00 +0.000 -0.074	76.00 +0.000 -0.074	80.00 +0.12 +0.00	44.99
MPSA-085	65	85	22.4	22.40 +0.20 +0.00	6.35 +0.10 +0.00	65.00 +0.000 -0.074	79.20 +0.000 -0.074	85.00 +0.14 +0.00	46.77

FORMERLY LISTED SEAL REPAIR PARTS ARE AVAILABLE ONLINE AT WWW.HERCULESUS.COM
OR BY CONTACTING YOUR REGIONAL HERCULES SALES TEAM.



STYLE MPSA FIVE PIECE PISTON SEALS

PISTON SEAL ASSEMBLIES

Part Number	A Nom. ID	B Nom. OD	C Nom. Ht	D SEAL GROOVE WIDTH	D ₁ BEARING GROOVE WIDTH	H GROOVE DIAMETER	H ₁ BEARING GROOVE DIAMETER	J BORE DIAMETER	List Price
MPSA-090	70	90	22.4	22.40 +0.20 +0.00	6.35 +0.10 +0.00	70.00 +0.000 -0.074	84.20 +0.000 -0.087	90.00 +0.14 +0.00	52.07
MPSA-090C	72	90	22.5	22.50 +0.20 +0.00	3.60 +0.10 +0.00	72.00 +0.000 -0.074	86.00 +0.000 -0.087	90.00 +0.14 +0.00	37.06
MPSA-090B	76	90	22.5	22.50 +0.20 +0.00	5.20 +0.10 +0.00	76.00 +0.000 -0.074	86.00 +0.000 -0.087	90.00 +0.14 +0.00	52.07
MPSA-092	82	92	12.5	12.50 +0.20 +0.00	6.35 +0.10 +0.00	82.00 +0.000 -0.087	88.00 +0.000 -0.087	92.00 +0.14 +0.00	70.43
MPSA-095	75	95	22.4	22.40 +0.20 +0.00	6.35 +0.10 +0.00	75.00 +0.000 -0.074	89.15 +0.000 -0.087	95.00 +0.14 +0.00	72.80
MPSA-100	75	100	22.4	22.40 +0.20 +0.00	6.35 +0.10 +0.00	75.00 +0.000 -0.074	93.20 +0.000 -0.087	100.00 +0.14 +0.00	56.25
MPSA-100B	80	100	25	25.00 +0.20 +0.00	6.30 +0.10 +0.00	80.00 +0.000 -0.074	94.15 +0.000 -0.087	100.00 +0.14 +0.00	56.25
MPSA-100E	82	100	22.5	22.50 +0.20 +0.00	3.60 +0.10 +0.00	82.00 +0.000 -0.087	96.00 +0.000 -0.087	100.00 +0.14 +0.00	42.19
MPSA-100A	85	100	20	20.00 +0.35 +0.10	5.00 +0.10 +0.00	85.00 +0.000 -0.087	96.00 +0.000 -0.087	100.00 +0.14 +0.00	74.60
MPSA-100F	86	100	22.5	22.50 +0.20 +0.00	5.20 +0.10 +0.00	86.00 +0.000 -0.087	96.00 +0.000 -0.087	100.00 +0.14 +0.00	42.19
MPSA-105	80	105	22.5	22.50 +0.20 +0.00	6.35 +0.10 +0.00	80.00 +0.000 -0.074	98.10 +0.000 -0.087	105.00 +0.14 +0.00	59.11
MPSA-105A	92.5	105	14.3	14.30 +0.20 +0.00	6.35 +0.10 +0.00	92.50 +0.000 -0.087	98.80 +0.000 -0.087	105.00 +0.14 +0.00	85.15
MPSA-110	85	110	22.4	22.40 +0.20 +0.00	6.35 +0.10 +0.00	85.00 +0.000 -0.087	103.10 +0.000 -0.087	110.00 +0.14 +0.00	62.21
MPSA-110A	85	110	25	25.00 +0.20 +0.00	6.35 +0.10 +0.00	85.00 +0.000 -0.087	103.00 +0.000 -0.087	110.00 +0.14 +0.00	62.21
MPSA-110C	90	110	25.3	25.30 +0.20 +0.00	6.40 +0.10 +0.00	90.00 +0.000 -0.087	104.10 +0.000 -0.087	110.00 +0.14 +0.00	49.82
MPSA-110D	92	110	22.5	22.50 +0.20 +0.00	3.60 +0.10 +0.00	92.00 +0.000 -0.087	106.00 +0.000 -0.087	110.00 +0.14 +0.00	44.13
MPSA-110E	95	110	20	20.00 +0.20 +0.00	5.00 +0.10 +0.00	95.00 +0.000 -0.087	105.00 +0.000 -0.087	110.00 +0.14 +0.00	44.93
MPSA-110B	96	110	22.5	22.50 +0.20 +0.00	5.20 +0.10 +0.00	96.00 +0.000 -0.087	106.00 +0.000 -0.087	110.00 +0.14 +0.00	44.12
MPSA-115	90	115	22.4	22.40 +0.20 +0.00	6.35 +0.10 +0.00	90.00 +0.000 -0.087	108.10 +0.000 -0.087	115.00 +0.14 +0.00	64.64
MPSA-115B	97	115	22.5	22.50 +0.20 +0.00	3.60 +0.10 +0.00	97.00 +0.000 -0.087	111.00 +0.000 -0.087	115.00 +0.14 +0.00	66.24
MPSA-120	95	120	22.4	22.40 +0.20 +0.00	6.35 +0.10 +0.00	95.00 +0.000 -0.087	113.10 +0.000 -0.087	120.00 +0.14 +0.00	66.21
MPSA-120B	106	120	22.5	22.50 +0.20 +0.00	5.20 +0.10 +0.00	106.00 +0.000 -0.087	116.00 +0.000 -0.087	120.00 +0.14 +0.00	66.92
MPSA-125	100	125	25.4	25.40 +0.20 +0.00	6.35 +0.10 +0.00	100.00 +0.000 -0.087	118.00 +0.000 -0.087	125.00 +0.16 +0.00	67.49
MPSA-125G	100	125	45	45.00 +0.20 +0.00	12.70 +0.10 +0.00	100.00 +0.000 -0.087	116.80 +0.000 -0.087	125.00 +0.16 +0.00	173.67
MPSA-125E	103	125	26.5	26.50 +0.20 +0.00	5.10 +0.10 +0.00	103.00 +0.000 -0.087	121.00 +0.00 -0.10	125.00 +0.16 +0.00	70.39
MPSA-125A	105	125	25	25.00 +0.35 +0.10	6.30 +0.10 +0.00	105.00 +0.000 -0.087	120.00 +0.000 -0.087	125.00 +0.16 +0.00	117.68
MPSA-125F	108	125	26.5	26.50 +0.20 +0.00	7.20 +0.10 +0.00	108.00 +0.000 -0.087	121.00 +0.00 -0.10	125.00 +0.16 +0.00	70.39
MPSA-130	105	130	25.4	25.40 +0.20 +0.00	9.52 +0.10 +0.00	105.00 +0.000 -0.087	122.60 +0.00 -0.10	130.00 +0.16 +0.00	72.80
MPSA-135	110	135	25.4	25.40 +0.20 +0.00	6.35 +0.10 +0.00	110.00 +0.000 -0.087	128.10 +0.00 -0.10	135.00 +0.16 +0.00	74.08
MPSA-140	115	140	25.4	25.40 +0.20 +0.00	9.52 +0.10 +0.00	115.00 +0.000 -0.087	132.60 +0.00 -0.10	140.00 +0.16 +0.00	74.08
MPSA-140B	115	140	25.4	25.40 +0.20 +0.00	6.35 +0.10 +0.00	115.00 +0.000 -0.087	133.00 +0.00 -0.10	140.00 +0.16 +0.00	74.08
MPSA-140A	115	140	45	45.00 +0.20 +0.00	12.70 +0.10 +0.00	115.00 +0.000 -0.087	131.70 +0.00 -0.10	140.00 +0.16 +0.00	156.46
MPSA-140E	118	140	26.5	26.50 +0.20 +0.00	5.10 +0.10 +0.00	118.00 +0.000 -0.087	136.00 +0.00 -0.10	140.00 +0.16 +0.00	45.44

STYLE MPSA FIVE PIECE PISTON SEALS



PISTON SEAL ASSEMBLIES

Part Number	A Nom. ID	B Nom. OD	C Nom. Ht	D SEAL GROOVE WIDTH	D ₁ BEARING GROOVE WIDTH	H GROOVE DIAMETER	H ₁ BEARING GROOVE DIAMETER	J BORE DIAMETER	List Price
MPSA-140C	120	140	25	25.00 +0.20 +0.00	6.35 +0.10 +0.00	120.00 +0.000 -0.087	135.00 +0.00 -0.10	140.00 +0.16 +0.00	74.08
MPSA-140F	123	140	26.5	26.50 +0.20 +0.00	7.20 +0.10 +0.00	123.00 +0.00 -0.10	136.00 +0.00 -0.10	140.00 +0.16 +0.00	91.14
MPSA-145	120	145	25.4	25.40 +0.20 +0.00	9.52 +0.10 +0.00	120.00 +0.000 -0.087	137.60 +0.00 -0.10	145.00 +0.16 +0.00	89.71
MPSA-150	125	150	25.4	25.40 +0.20 +0.00	9.52 +0.10 +0.00	125.00 +0.00 -0.10	142.60 +0.00 -0.10	150.00 +0.16 +0.00	85.15
MPSA-150D	125	150	25.5	25.50 +0.20 +0.00	6.35 +0.10 +0.00	125.00 +0.00 -0.10	143.00 +0.00 -0.10	150.00 +0.16 +0.00	63.73
MPSA-150A	125	150	45	45.00 +0.20 +0.00	12.70 +0.10 +0.00	125.00 +0.00 -0.10	141.70 +0.00 -0.10	150.00 +0.16 +0.00	164.39
MPSA-150B	128	150	26.5	26.50 +0.20 +0.00	5.10 +0.10 +0.00	128.00 +0.00 -0.10	146.00 +0.00 -0.10	150.00 +0.16 +0.00	91.71
MPSA-150C	133	150	26.5	26.50 +0.20 +0.00	7.20 +0.10 +0.00	133.00 +0.00 -0.10	146.00 +0.00 -0.10	150.00 +0.16 +0.00	57.61
MPSA-160A	130	160	25.4	25.40 +0.20 +0.00	6.35 +0.10 +0.00	130.00 +0.00 -0.10	153.00 +0.00 -0.10	160.00 +0.16 +0.00	97.93
MPSA-160F	130	160	25.4	25.40 +0.20 +0.00	9.50 +0.10 +0.00	130.00 +0.00 -0.10	152.60 +0.00 -0.10	160.00 +0.16 +0.00	97.93
MPSA-160	135	160	25.4	25.40 +0.20 +0.00	9.50 +0.10 +0.00	135.00 +0.00 -0.10	152.60 +0.00 -0.10	160.00 +0.16 +0.00	77.26
MPSA-160H	135	160	32	32.00 +0.20 +0.00	10.00 +0.10 +0.00	135.00 +0.00 -0.10	154.00 +0.00 -0.10	160.00 +0.16 +0.00	251.18
MPSA-160D	138	160	26.5	26.50 +0.20 +0.00	5.10 +0.10 +0.00	138.00 +0.00 -0.10	156.00 +0.00 -0.10	160.00 +0.16 +0.00	354.55
MPSA-160B	140	160	25	25.00 +0.20 +0.00	6.35 +0.10 +0.00	140.00 +0.00 -0.10	155.00 +0.00 -0.10	160.00 +0.16 +0.00	97.93
MPSA-165A	140	165	25.3	25.30 +0.20 +0.00	9.50 +0.10 +0.00	140.00 +0.00 -0.10	157.60 +0.00 -0.10	165.00 +0.16 +0.00	132.79
MPSA-170A	140	170	25	25.00 +0.20 +0.00	6.35 +0.10 +0.00	140.00 +0.00 -0.10	163.00 +0.00 -0.10	170.00 +0.16 +0.00	240.26
MPSA-170	145	170	25.3	25.30 +0.20 +0.00	12.70 +0.10 +0.00	145.00 +0.00 -0.10	161.70 +0.00 -0.10	170.00 +0.16 +0.00	111.15
MPSA-175B	150	175	25.4	25.40 +0.20 +0.00	12.70 +0.10 +0.00	150.00 +0.00 -0.10	166.70 +0.00 -0.10	175.00 +0.16 +0.00	86.02
MPSA-180A	150	180	35.4	35.40 +0.20 +0.00	6.35 +0.10 +0.00	150.00 +0.00 -0.10	173.00 +0.00 -0.10	180.00 +0.16 +0.00	128.38
MPSA-180	155	180	25.4	25.40 +0.20 +0.00	12.70 +0.10 +0.00	155.00 +0.00 -0.10	171.70 +0.00 -0.10	180.00 +0.16 +0.00	128.38
MPSA-180B	158	180	26.5	26.50 +0.20 +0.00	5.10 +0.10 +0.00	158.00 +0.00 -0.10	176.00 +0.00 -0.10	180.00 +0.16 +0.00	326.82
MPSA-180C	163	180	26.5	26.50 +0.20 +0.00	7.20 +0.10 +0.00	163.00 +0.00 -0.10	176.00 +0.00 -0.10	180.00 +0.16 +0.00	106.44
MPSA-185	160	185	25.3	25.30 +0.20 +0.00	12.70 +0.10 +0.00	160.00 +0.00 -0.10	176.70 +0.00 -0.10	185.00 +0.185 +0.000	272.09
MPSA-190	165	190	25.4	25.40 +0.20 +0.00	12.70 +0.10 +0.00	165.00 +0.00 -0.10	181.70 +0.000 -0.115	190.00 +0.185 +0.000	142.89
MPSA-195	170	195	25.4	25.40 +0.20 +0.00	12.70 +0.10 +0.00	170.00 +0.00 -0.10	187.10 +0.000 -0.115	195.00 +0.185 +0.000	144.54
MPSA-200A	170	200	35.4	35.40 +0.20 +0.00	6.35 +0.10 +0.00	170.00 +0.00 -0.10	193.00 +0.000 -0.115	200.00 +0.185 +0.000	102.55
MPSA-200D	170	200	36	36.00 +0.20 +0.00	12.70 +0.10 +0.00	170.00 +0.00 -0.10	193.00 +0.000 -0.115	200.00 +0.185 +0.000	104.88
MPSA-200	175	200	25.4	25.40 +0.20 +0.00	12.70 +0.10 +0.00	175.00 +0.00 -0.10	191.60 +0.000 -0.115	200.00 +0.185 +0.000	107.10
MPSA-200B	175	200	45	45.00 +0.20 +0.00	12.70 +0.10 +0.00	175.00 +0.00 -0.10	191.60 +0.000 -0.115	200.00 +0.185 +0.000	247.80
MPSA-200F	180	200	31.5	31.50 +0.20 +0.00	9.20 +0.10 +0.00	180.00 +0.00 -0.10	196.00 +0.000 -0.115	200.00 +0.185 +0.000	61.44
MPSA-210	185	210	25.4	25.40 +0.20 +0.00	12.70 +0.10 +0.00	185.00 +0.000 -0.115	201.60 +0.000 -0.115	210.00 +0.185 +0.000	103.53
MPSA-220A	195	220	25.7	25.70 +0.20 +0.00	12.70 +0.10 +0.00	195.00 +0.000 -0.115	211.60 +0.000 -0.115	220.00 +0.185 +0.000	154.84
MPSA-230	205	230	25.3	25.30 +0.20 +0.00	12.70 +0.10 +0.00	205.00 +0.000 -0.115	221.60 +0.000 -0.115	230.00 +0.185 +0.000	107.64

FORMERLY LISTED REPAIR PARTS ARE AVAILABLE ONLINE AT WWW.HERCULESUS.COM
OR BY CONTACTING YOUR REGIONAL HERCULES SALES TEAM.



STYLE MPSA FIVE PIECE PISTON SEALS

PISTON SEAL ASSEMBLIES

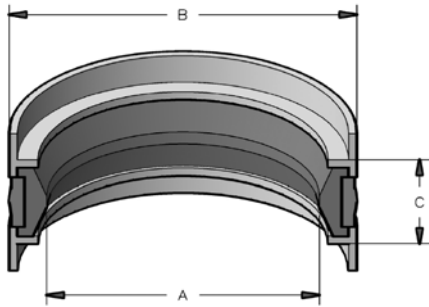
Part Number	A Nom. ID	B Nom. OD	C Nom. Ht	D SEAL GROOVE WIDTH	D ₁ BEARING GROOVE WIDTH	H GROOVE DIAMETER	H ₁ BEARING GROOVE DIAMETER	J BORE DIAMETER	List Price
MPSA-240	215	240	25.3	25.30 ^{+0.20} / _{+0.00}	12.70 ^{+0.10} / _{+0.00}	215.00 ^{+0.000} / _{-0.115}	231.60 ^{+0.000} / _{-0.115}	240.00 ^{+0.185} / _{+0.000}	76.96
MPSA-250C	220	250	35.3	35.30 ^{+0.20} / _{+0.00}	6.40 ^{+0.10} / _{+0.00}	220.00 ^{+0.000} / _{-0.115}	243.00 ^{+0.000} / _{-0.115}	250.00 ^{+0.185} / _{+0.000}	210.75
MPSA-250D	225	250	25.3	25.30 ^{+0.20} / _{+0.00}	12.70 ^{+0.10} / _{+0.00}	225.00 ^{+0.000} / _{-0.115}	241.60 ^{+0.000} / _{-0.115}	250.00 ^{+0.185} / _{+0.000}	73.08
MPSA-250A	225	250	31.5	31.50 ^{+0.20} / _{+0.00}	6.60 ^{+0.10} / _{+0.00}	225.00 ^{+0.000} / _{-0.115}	246.00 ^{+0.000} / _{-0.115}	250.00 ^{+0.185} / _{+0.000}	120.69
MPSA-250B	230	250	31.5	31.50 ^{+0.20} / _{+0.00}	9.20 ^{+0.10} / _{+0.00}	230.00 ^{+0.000} / _{-0.115}	246.00 ^{+0.000} / _{-0.072}	250.00 ^{+0.185} / _{+0.000}	107.44
MPSA-260	235	260	35.1	35.10 ^{+0.20} / _{+0.00}	12.70 ^{+0.10} / _{+0.00}	235.00 ^{+0.000} / _{-0.115}	252.90 ^{+0.00} / _{-0.13}	260.00 ^{+0.21} / _{+0.00}	153.60
MPSA-280	250	280	36.3	36.30 ^{+0.20} / _{+0.00}	10.00 ^{+0.10} / _{+0.00}	250.00 ^{+0.000} / _{-0.115}	273.00 ^{+0.00} / _{-0.13}	280.00 ^{+0.21} / _{+0.00}	222.87

Seal color may vary. Special order sizes are available. Please call your regional sales team for assistance.

STYLE MPSB THREE PIECE PISTON SEALS



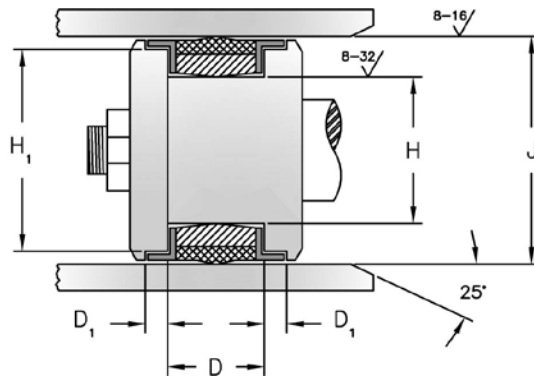
Incorporating a nitrile / fabric seal with two split bearings, this assembly affords low friction and high strength for one or two piece pistons.



HERCULES PART NUMBERS

MPSB - 032B
 Type of Seal Bore Diameter

SEAL INFORMATION	
MATERIAL	70A NBR / FABRIC SEAL OD 70A NBR SEAL ID ACETAL BEARING
TEMPERATURE RANGE	-22° TO +212° F
PRESSURE RANGE	0 TO 5,000 PSI
SPEED	1.5 FT/SEC



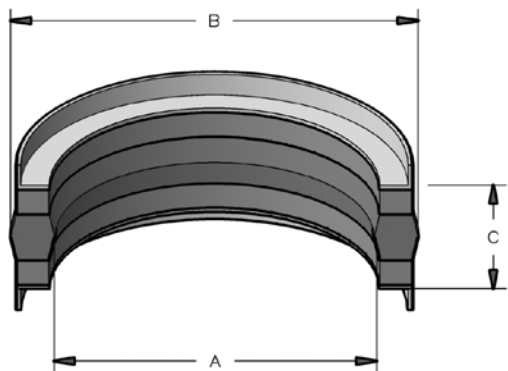
Part Number	A Nom. ID	B Nom. OD	C Nom. Ht	D SEAL GROOVE WIDTH	D ₁ BEARING GROOVE WIDTH	H GROOVE DIAMETER	H ₁ BEARING GROOVE DIAMETER	J BORE DIAMETER	List Price
MPSB-032B	24	32	10	10.00 +0.20 +0.00	3.20 +0.10 +0.00	24.00 +0.000 -0.052	29.00 +0.000 -0.052	32.00 +0.10 +0.00	\$41.12
MPSB-050A	38	50	20.5	20.50 +0.20 +0.00	4.20 +0.10 +0.00	38.00 +0.000 -0.062	46.00 +0.000 -0.062	50.00 +0.10 +0.00	27.33
MPSB-060B	48	60	20.5	20.50 +0.20 +0.00	4.20 +0.10 +0.00	48.00 +0.000 -0.062	56.00 +0.000 -0.074	60.00 +0.12 +0.00	46.88
MPSB-070	58	70	20.5	20.50 +0.20 +0.00	4.20 +0.10 +0.00	58.00 +0.000 -0.074	66.00 +0.000 -0.074	70.00 +0.12 +0.00	42.99
MPSB-080	66	80	22.5	22.50 +0.20 +0.00	5.20 +0.10 +0.00	66.00 +0.000 -0.074	76.00 +0.000 -0.074	80.00 +0.12 +0.00	54.88
MPSB-090B	76	90	22.5	22.50 +0.20 +0.00	5.20 +0.10 +0.00	76.00 +0.000 -0.074	86.00 +0.000 -0.087	90.00 +0.14 +0.00	44.54
MPSB-100F	86	100	22.5	22.50 +0.20 +0.00	5.20 +0.10 +0.00	86.00 +0.000 -0.087	96.00 +0.000 -0.087	100.00 +0.14 +0.00	60.85
MPSB-110B	96	110	22.5	22.50 +0.20 +0.00	5.20 +0.10 +0.00	96.00 +0.000 -0.087	106.00 +0.000 -0.087	110.00 +0.14 +0.00	82.30
MPSB-120B	106	120	22.5	22.50 +0.20 +0.00	5.20 +0.10 +0.00	106.00 +0.000 -0.087	116.00 +0.000 -0.087	120.00 +0.14 +0.00	69.83
MPSB-125F	108	125	26.5	26.50 +0.20 +0.00	7.20 +0.10 +0.00	108.00 +0.000 -0.087	121.00 +0.00 -0.10	125.00 +0.16 +0.00	104.96
MPSB-150	133	150	26.5	26.50 +0.20 +0.00	7.20 +0.10 +0.00	133.00 +0.00 -0.10	146.00 +0.00 -0.10	150.00 +0.16 +0.00	72.40
MPSB-160	143	160	26.5	26.50 +0.20 +0.00	7.20 +0.10 +0.00	143.00 +0.00 -0.10	156.00 +0.00 -0.10	160.00 +0.16 +0.00	151.66
MPSB-180	163	180	26.5	26.50 +0.20 +0.00	7.20 +0.10 +0.00	163.00 +0.00 -0.10	176.00 +0.00 -0.10	180.00 +0.16 +0.00	263.38

Seal color may vary. Special order sizes are available. Please call your regional sales team for assistance.



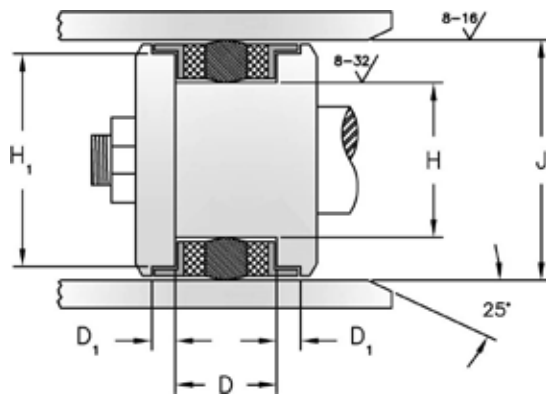
STYLE MPSA-58 THREE PIECE PISTON SEALS

This style is designed for two piece pistons. The seal is a molded Nitrile rubber element with bonded rubberized fabric reinforcements and two anti-extrusion polyacetal bearings.



HERCULES PART NUMBERS

MPSA-58 - 040
 Type of Seal Bore Diameter



SEAL INFORMATION	
MATERIAL	70A NBR / FABRIC SEAL ACETAL BEARING / BACK-UP
TEMPERATURE RANGE	-22° TO +212° F
PRESSURE RANGE	0 TO 5,000 PSI
SPEED	1.5 FT/SEC

PISTON SEAL ASSEMBLIES

Part Number	A Nom. ID	B Nom. OD	C Nom. Ht	D SEAL GROOVE WIDTH	D ₁ BEARING GROOVE WIDTH	H GROOVE DIAMETER	H ₁ BEARING GROOVE DIAMETER	J BORE DIAMETER	List Price
MPSA-58-040	25	40	24	24.00 ^{+0.20} / _{+0.00}	6.00 ^{+0.10} / _{+0.00}	25.00 ±0.065	34.80 ±0.05	40.00 ^{+0.16} / _{+0.00}	\$38.68
MPSA-58-050A	35	50	24	24.00 ^{+0.20} / _{+0.00}	6.00 ^{+0.10} / _{+0.00}	35.00 ±0.08	44.80 ±0.05	50.00 ^{+0.16} / _{+0.00}	26.27
MPSA-58-055	40	55	24	24.00 ^{+0.20} / _{+0.00}	5.90 ^{+0.10} / _{+0.00}	40.00 ±0.08	49.80 ±0.05	55.00 ^{+0.19} / _{+0.00}	31.16
MPSA-58-060	40	60	31	31.00 ^{+0.20} / _{+0.00}	7.00 ^{+0.10} / _{+0.00}	40.00 ±0.08	53.80 ±0.05	60.00 ^{+0.19} / _{+0.00}	34.94
MPSA-58-063B	48	63	24	24.00 ^{+0.20} / _{+0.00}	6.00 ^{+0.10} / _{+0.00}	48.00 ±0.08	57.80 ±0.05	63.00 ^{+0.19} / _{+0.00}	32.62
MPSA-58-070	50	70	31	31.00 ^{+0.20} / _{+0.00}	7.00 ^{+0.10} / _{+0.00}	50.00 ±0.08	63.80 ±0.05	70.00 ^{+0.19} / _{+0.00}	47.52
MPSA-58-080A	60	80	31	31.00 ^{+0.20} / _{+0.00}	7.00 ^{+0.10} / _{+0.00}	60.00 ±0.095	73.80 ±0.05	80.00 ^{+0.19} / _{+0.00}	43.15
MPSA-58-090A	70	90	31	31.00 ^{+0.20} / _{+0.00}	7.00 ^{+0.10} / _{+0.00}	70.00 ±0.095	83.80 ±0.05	90.00 ^{+0.22} / _{+0.00}	53.84
MPSA-58-100	80	100	31	31.00 ^{+0.20} / _{+0.00}	7.00 ^{+0.10} / _{+0.00}	80.00 ±0.095	93.80 ±0.05	100.00 ^{+0.22} / _{+0.00}	50.28
MPSA-58-110	90	110	31	31.00 ^{+0.20} / _{+0.00}	7.00 ^{+0.10} / _{+0.00}	90.00 ±0.11	103.80 ±0.05	110.00 ^{+0.22} / _{+0.00}	91.47
MPSA-58-120	100	120	31	31.00 ^{+0.20} / _{+0.00}	7.00 ^{+0.10} / _{+0.00}	100.00 ±0.11	113.80 ±0.05	120.00 ^{+0.22} / _{+0.00}	69.39
MPSA-58-125A	100	125	38	38.00 ^{+0.20} / _{+0.00}	9.50 ^{+0.10} / _{+0.00}	100.00 ±0.11	118.80 ±0.05	125.00 ^{+0.25} / _{+0.00}	73.35
MPSA-58-140	120	140	31	31.00 ^{+0.20} / _{+0.00}	7.00 ^{+0.10} / _{+0.00}	120.00 ±0.11	133.80 ±0.05	140.00 ^{+0.25} / _{+0.00}	134.80
MPSA-58-150	120	150	44	44.00 ^{+0.20} / _{+0.00}	9.50 ^{+0.10} / _{+0.00}	120.00 ±0.11	143.90 ±0.05	150.00 ^{+0.25} / _{+0.00}	302.55

STYLE MPSA-58 THREE PIECE PISTON SEALS



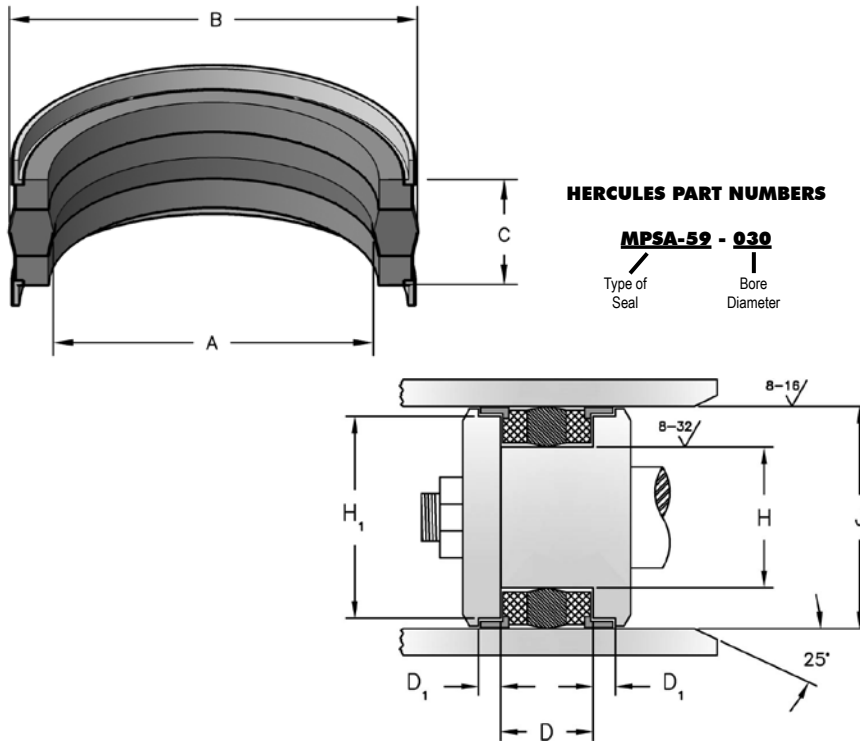
Part Number	A Nom. ID	B Nom. OD	C Nom. Ht	D SEAL GROOVE WIDTH	D ₁ BEARING GROOVE WIDTH	H GROOVE DIAMETER	H ₁ BEARING GROOVE DIAMETER	J BORE DIAMETER	List Price
MPSA-58-160C	140	160	25	25.00 ^{+0.20} / _{+0.00}	6.35 ^{+0.10} / _{+0.00}	140.00 ±0.125	153.90 ±0.05	160.00 ^{+0.25} / _{+0.00}	100.27
MPSA-58-160A	140	160	31	31.00 ^{+0.20} / _{+0.00}	7.00 ^{+0.10} / _{+0.00}	140.00 ±0.125	153.90 ±0.05	160.00 ^{+0.25} / _{+0.00}	273.09
MPSA-58-190	160	190	44	44.00 ^{+0.20} / _{+0.00}	8.50 ^{+0.10} / _{+0.00}	160.00 ±0.125	183.90 ±0.05	190.00 ^{+0.29} / _{+0.00}	264.41
MPSA-58-200	170	200	35.4	35.40 ^{+0.20} / _{+0.00}	6.35 ^{+0.10} / _{+0.00}	170.00 ±0.125	193.00 ±0.05	200.00 ^{+0.29} / _{+0.00}	162.47
MPSA-58-220	200	220	31.5	31.50 ^{+0.20} / _{+0.00}	9.50 ^{+0.10} / _{+0.00}	200.00 ±0.145	216.00 ±0.05	220.00 ^{+0.29} / _{+0.00}	78.22

PISTON SEAL ASSEMBLIES



STYLE MPSA-59 THREE PIECE PISTON SEALS

This style is designed for two piece pistons. The seal is a molded Nitrile rubber element with bonded rubberized fabric reinforcements and two anti-extrusion polyacetal bearings.



SEAL INFORMATION	
MATERIAL	70A NBR / FABRIC SEAL ACETAL BEARING / BACK-UP
TEMPERATURE RANGE	-22° TO +212° F
PRESSURE RANGE	0 TO 5,000 PSI
SPEED	1.5 FT/SEC

PISTON SEAL ASSEMBLIES

Part Number	A Nom. ID	B Nom. OD	C Nom. Ht	D SEAL GROOVE WIDTH	D ₁ BEARING GROOVE WIDTH	H GROOVE DIAMETER	H ₁ BEARING GROOVE DIAMETER	J BORE DIAMETER	List Price
MPSA-59-030	17	30	15.4	15.40 ^{+0.20} / _{+0.00}	6.35 ^{+0.10} / _{+0.00}	17.00 ±0.055	26.50 ±0.05	30.00 ^{+0.13} / _{+0.00}	\$33.80
MPSA-59-040	24	40	18.4	18.40 ^{+0.20} / _{+0.00}	6.40 ^{+0.10} / _{+0.00}	24.00 ±0.065	35.40 ±0.05	40.00 ^{+0.16} / _{+0.00}	31.65
MPSA-59-050	34	50	18.4	18.40 ^{+0.20} / _{+0.00}	6.40 ^{+0.10} / _{+0.00}	34.00 ±0.08	45.40 ±0.05	50.00 ^{+0.16} / _{+0.00}	33.53
MPSA-59-060	44	60	18.4	18.40 ^{+0.20} / _{+0.00}	6.40 ^{+0.10} / _{+0.00}	44.00 ±0.08	55.40 ±0.05	60.00 ^{+0.19} / _{+0.00}	41.60
MPSA-59-063	47	63	19.4	19.40 ^{+0.20} / _{+0.00}	6.40 ^{+0.10} / _{+0.00}	47.00 ±0.08	58.40 ±0.05	63.00 ^{+0.19} / _{+0.00}	46.58
MPSA-59-065	50	65	18.4	18.40 ^{+0.20} / _{+0.00}	6.40 ^{+0.10} / _{+0.00}	50.00 ±0.08	60.40 ±0.05	65.00 ^{+0.19} / _{+0.00}	48.02
MPSA-59-070	50	70	22.4	22.40 ^{+0.20} / _{+0.00}	6.40 ^{+0.10} / _{+0.00}	50.00 ±0.08	64.15 ±0.05	70.00 ^{+0.19} / _{+0.00}	48.52
MPSA-59-070A	50	70	25	25.00 ^{+0.20} / _{+0.00}	6.35 ^{+0.10} / _{+0.00}	50.00 ±0.08	64.20 ±0.05	70.00 ^{+0.19} / _{+0.00}	40.86
MPSA-59-075	55	75	22.4	22.40 ^{+0.20} / _{+0.00}	6.40 ^{+0.10} / _{+0.00}	55.00 ±0.095	69.20 ±0.05	75.00 ^{+0.19} / _{+0.00}	65.75
MPSA-59-080	60	80	22.4	22.40 ^{+0.20} / _{+0.00}	6.40 ^{+0.10} / _{+0.00}	60.00 ±0.095	74.20 ±0.05	80.00 ^{+0.19} / _{+0.00}	46.88
MPSA-59-085	65	85	22.4	22.40 ^{+0.20} / _{+0.00}	6.40 ^{+0.10} / _{+0.00}	65.00 ±0.095	79.20 ±0.05	85.00 ^{+0.22} / _{+0.00}	48.52
MPSA-59-090	70	90	22.4	22.40 ^{+0.20} / _{+0.00}	6.40 ^{+0.10} / _{+0.00}	70.00 ±0.095	84.20 ±0.05	90.00 ^{+0.22} / _{+0.00}	57.78
MPSA-59-100A	75	100	22.4	22.40 ^{+0.20} / _{+0.00}	6.40 ^{+0.10} / _{+0.00}	75.00 ±0.095	93.10 ±0.05	100.00 ^{+0.22} / _{+0.00}	68.49
MPSA-59-100	80	100	25.4	25.40 ^{+0.20} / _{+0.00}	6.40 ^{+0.10} / _{+0.00}	80.00 ±0.095	94.20 ±0.05	100.00 ^{+0.22} / _{+0.00}	75.42
MPSA-59-110	90	110	25.4	25.40 ^{+0.20} / _{+0.00}	6.40 ^{+0.10} / _{+0.00}	90.00 ±0.11	104.10 ±0.05	110.00 ^{+0.22} / _{+0.00}	59.42
MPSA-59-120	100	120	25.4	25.40 ^{+0.20} / _{+0.00}	6.40 ^{+0.10} / _{+0.00}	100.00 ±0.11	114.10 ±0.05	120.00 ^{+0.22} / _{+0.00}	72.70

STYLE MPSA-59 THREE PIECE PISTON SEALS



Part Number	A Nom. ID	B Nom. OD	C Nom. Ht	D SEAL GROOVE WIDTH	D ₁ BEARING GROOVE WIDTH	H GROOVE DIAMETER	H ₁ BEARING GROOVE DIAMETER	J BORE DIAMETER	List Price
MPSA-59-125	100	125	25.4	25.40 ^{+0.20} / _{+0.00}	6.45 ^{+0.10} / _{+0.00}	100.00 ±0.11	118.10 ±0.05	125.00 ^{+0.25} / _{+0.00}	105.10
MPSA-59-125A	100	125	32.4	32.40 ^{+0.20} / _{+0.00}	6.35 ^{+0.10} / _{+0.00}	100.00 ±0.11	118.10 ±0.05	125.00 ^{+0.25} / _{+0.00}	102.44
MPSA-59-130	105	130	25.4	25.40 ^{+0.20} / _{+0.00}	6.40 ^{+0.10} / _{+0.00}	105.00 ±0.11	123.10 ±0.05	130.00 ^{+0.25} / _{+0.00}	76.56
MPSA-59-140	115	140	25.4	25.40 ^{+0.20} / _{+0.00}	6.35 ^{+0.10} / _{+0.00}	115.00 ±0.11	133.00 ±0.05	140.00 ^{+0.25} / _{+0.00}	116.41
MPSA-59-145	120	145	25.4	25.40 ^{+0.20} / _{+0.00}	6.35 ^{+0.10} / _{+0.00}	120.00 ±0.11	138.30 ±0.05	145.00 ^{+0.25} / _{+0.00}	130.36
MPSA-59-160	130	160	25.4	25.40 ^{+0.20} / _{+0.00}	6.35 ^{+0.10} / _{+0.00}	130.00 ±0.125	153.00 ±0.05	160.00 ^{+0.25} / _{+0.00}	99.14
MPSA-59-170	140	170	25.4	25.40 ^{+0.20} / _{+0.00}	6.35 ^{+0.10} / _{+0.00}	140.00 ±0.125	163.00 ±0.05	170.00 ^{+0.25} / _{+0.00}	132.09
MPSA-59-180	160	180	31.4	31.40 ^{+0.20} / _{+0.00}	6.35 ^{+0.10} / _{+0.00}	160.00 ±0.125	173.00 ±0.05	180.00 ^{+0.25} / _{+0.00}	132.09

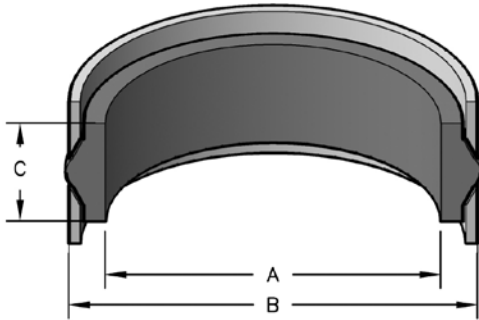
PISTON SEAL ASSEMBLIES

Seal color may vary. Special order sizes are available. Please call your regional sales team for assistance.



STYLE MPSA-65 THREE PIECE PISTON SEALS

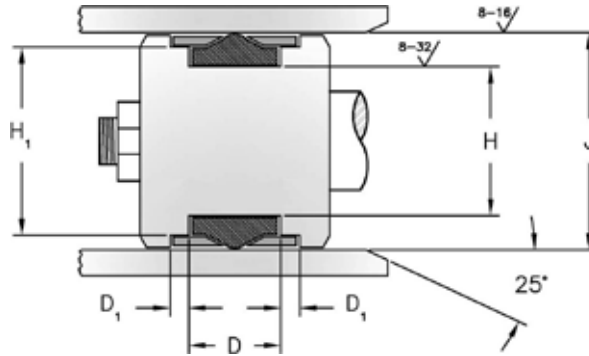
Consisting of a nitrile seal and two split acetal bearing, this assembly is used in light duty applications and can be installed on one or two piece pistons.



HERCULES PART NUMBERS

MPSA-65 - 025
Type of Seal Bore Diameter

SEAL INFORMATION	
MATERIAL	NITRILE SEAL ACETAL BEARING
TEMPERATURE RANGE	-22° TO +212° F
PRESSURE RANGE	0 TO 3,000 PSI
SPEED	1.5 FT/SEC



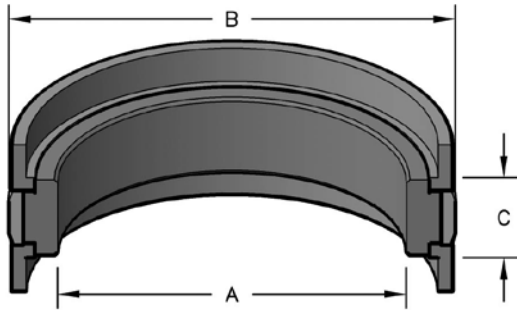
PISTON SEAL ASSEMBLIES

Part Number	A Nom. ID	B Nom. OD	C Nom. Ht	D SEAL GROOVE WIDTH	D ₁ BEARING GROOVE WIDTH	H GROOVE DIAMETER	H ₁ BEARING GROOVE DIAMETER	J BORE DIAMETER	List Price
MPSA-65-025	17.5	25	8.5	8.50	3.25 +0.10 +0.00	17.50 +0.000 -0.043	21.30 +0.000 -0.052	25.00 +0.084 +0.000	\$ 13.56
MPSA-65-040	30	40	11	11.00	4.00 +0.10 +0.00	30.00 +0.000 -0.052	35.50 +0.000 -0.062	40.00 +0.10 +0.00	17.34
MPSA-65-050	40	50	11	11.00	4.00 +0.10 +0.00	40.00 +0.000 -0.062	45.50 +0.000 -0.062	50.00 +0.10 +0.00	17.80
MPSA-65-063	53	63	11	11.00	4.00 +0.10 +0.00	53.00 +0.000 -0.074	58.50 +0.000 -0.074	63.00 +0.12 +0.00	22.96
MPSA-65-080	70	80	11	11.00	4.00 +0.10 +0.00	70.00 +0.000 -0.074	75.50 +0.000 -0.074	80.00 +0.12 +0.00	32.13
MPSA-65-100	87	100	14	14.00	6.00 +0.10 +0.00	87.00 +0.000 -0.087	93.80 +0.000 -0.087	100.00 +0.14 +0.00	64.30
MPSA-65-125	112	125	14	14.00	6.00 +0.10 +0.00	112.00 +0.000 -0.087	118.80 +0.000 -0.087	125.00 +0.16 +0.00	81.57

Seal color may vary. Special order sizes are available. Please call your regional sales team for assistance.

STYLE MPSA-750 FOUR PIECE PISTON SEALS

This four piece double acting piston seal contains a nitrile energizer behind a tough, wear-resistant 55D thermoplastic polyester elastomer (TPE) cap ring. It also includes two L-shaped split polyacetal anti-extrusion rings/bearings. The MPSA-750 design has high shock load and high pressure capabilities and is suitable for both roller-burnished and honed tubing. Sealing materials are suitable for mineral oils and HFA (High Water Content) fluids as used in longwall mining equipment.

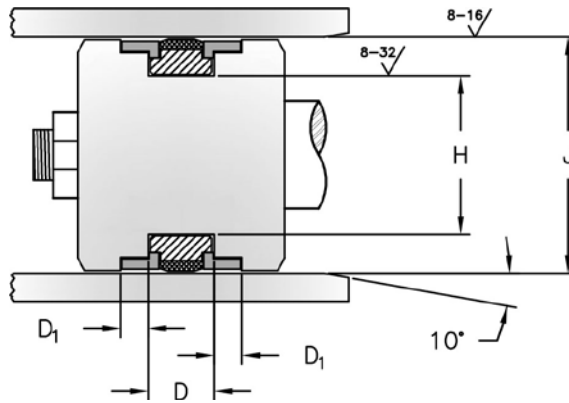


HERCULES PART NUMBERS

MPSA-750 - 025

Type of Seal Bore Diameter

SEAL INFORMATION	
MATERIAL	55D TPE CAP, NITRILE ENERGIZER, POLYACETAL ANTI-EXTRUSION RINGS
TEMPERATURE RANGE	-22° TO +212° F +32 TO +140 F (HFA)
PRESSURE RANGE	0 TO 7,500 PSI
SPEED	1.0 FT/SEC

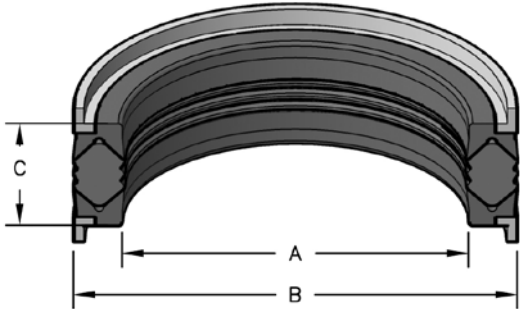


Part Number	A Nom. ID	B Nom. OD	C Nom. Ht	D SEAL GROOVE WIDTH	D ₁ BEARING GROOVE WIDTH	H GROOVE DIAMETER	J BORE DIAMETER	List Price
MPSA-750-125	105	125	16	16.00 +0.40 +0.00	6.45 +0.10 +0.00	105.00 +0.00 -0.14	125.00 +0.25 +0.00	\$263.61
MPSA-750-150	130	150	16	16.00 +0.40 +0.00	6.45 +0.10 +0.00	130.00 +0.00 -0.16	150.00 +0.25 +0.00	285.66



STYLE MPSA-PDE PISTON SEALS

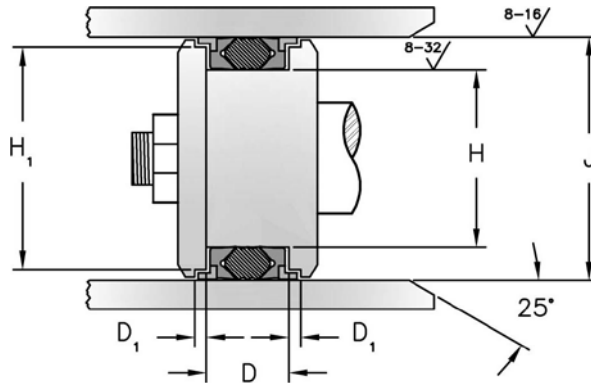
MPSA-PDE is a double-acting piston seal designed for use on split pistons where severe vibration, shock, and high pressure exist. It consists of an NBR sealing element, two plastic support rings, and two acetal bearing rings.



HERCULES PART NUMBERS

MPSA - 050 - PDE
Type of Seal Bore Diameter Suffix

SEAL INFORMATION	
MATERIAL	NITRILE PLASTIC POM
TEMPERATURE RANGE	-22° TO +230° F
PRESSURE RANGE	0 TO 8,700 PSI
SPEED	1.5 FT/SEC



PISTON SEAL ASSEMBLIES

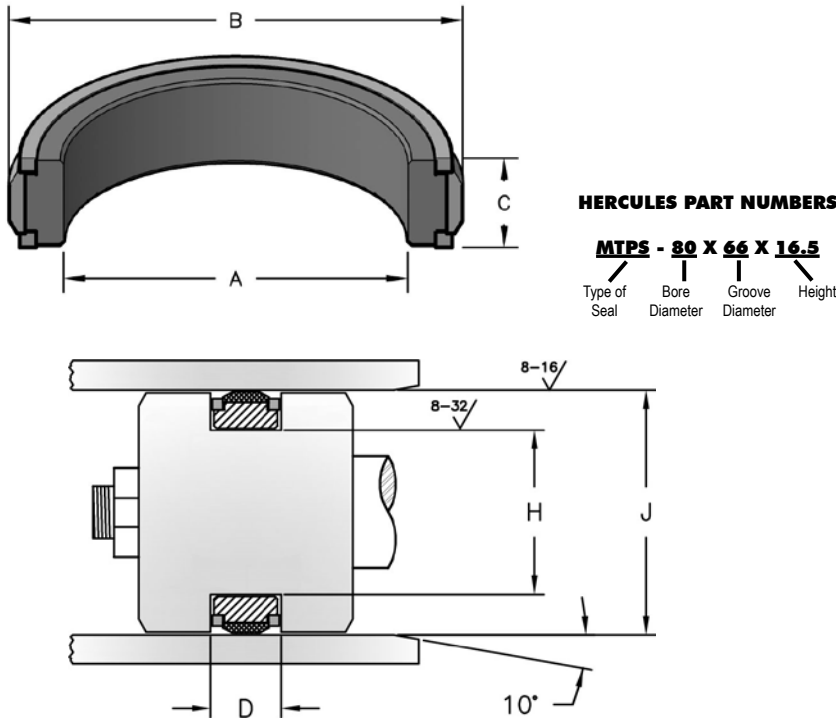
Part Number	A Nom. ID	B Nom. OD	C Nom. Ht	D SEAL GROOVE WIDTH	D ₁ BEARING GROOVE WIDTH	H GROOVE DIAMETER	H ₁ BEARING GROOVE DIAMETER	J BORE DIAMETER	List Price
MPSA-050-PDE	34	50	32	32.00 ^{+0.20} / _{+0.00}	6.35 ^{+0.10} / _{+0.00}	34.00 ±0.08	43.70 ±0.05	50.00 ^{+0.16} / _{+0.00}	\$76.59
MPSA-070-PDE	50	70	35	35.00 ^{+0.20} / _{+0.00}	9.52 ^{+0.10} / _{+0.00}	50.00 ±0.08	62.62 ±0.05	70.00 ^{+0.19} / _{+0.00}	155.28
MPSA-100-PDE	80	100	35	35.00 ^{+0.20} / _{+0.00}	9.52 ^{+0.10} / _{+0.00}	80.00 ±0.095	92.60 ±0.05	100.00 ^{+0.22} / _{+0.00}	154.90
MPSA-110-PDE	85	110	45	45.00 ^{+0.20} / _{+0.00}	12.70 ^{+0.10} / _{+0.00}	85.00 ±0.11	101.82 ±0.05	110.00 ^{+0.22} / _{+0.00}	230.12
MPSA-120A-PDE	100	120	35	35.00 ^{+0.20} / _{+0.00}	9.52 ^{+0.10} / _{+0.00}	100.00 ±0.11	112.80 ±0.05	120.00 ^{+0.22} / _{+0.00}	95.70
MPSA-160-PDE	135	160	45	45.00 ^{+0.20} / _{+0.00}	12.70 ^{+0.10} / _{+0.00}	135.00 ±0.125	151.72 ±0.05	160.00 ^{+0.25} / _{+0.00}	183.39
MPSA-210-PDE	185	210	45	45.00 ^{+0.20} / _{+0.00}	12.70 ^{+0.10} / _{+0.00}	185.00 ±0.145	201.60 ±0.05	210.00 ^{+0.29} / _{+0.00}	323.27
MPSA-220-PDE	195	220	45	45.00 ^{+0.20} / _{+0.00}	12.70 ^{+0.10} / _{+0.00}	195.00 ±0.145	211.60 ±0.05	220.00 ^{+0.29} / _{+0.00}	366.66
MPSA-230-PDE	205	230	45	45.00 ^{+0.20} / _{+0.00}	12.70 ^{+0.10} / _{+0.00}	205.00 ±0.145	221.72 ±0.05	230.00 ^{+0.29} / _{+0.00}	383.73
MPSA-240-PDE	215	240	45	45.00 ^{+0.20} / _{+0.00}	12.70 ^{+0.10} / _{+0.00}	215.00 ±0.145	231.72 ±0.05	240.00 ^{+0.29} / _{+0.00}	391.16

Seal color may vary. Special order sizes are available. Please call your regional sales team for assistance.

STYLE MTPS FOUR PIECE PISTON SEALS



This four piece double acting piston seal contains a nitrile energizer behind a tough, wear-resistant 55D thermoplastic polyester elastomer (TPE) cap ring. It also includes two split rectangular polyacetal anti-extrusion rings. The MTPS design has high shock load and high pressure capabilities and is suitable for both roller-burnished and honed tubing. Sealing materials are suitable for mineral oils and HFA (High Water Content) fluids as used in longwall mining equipment.



SEAL INFORMATION	
MATERIAL	55D TPE CAP, NITRILE ENERGIZER, POLYACETAL ANTI- EXTRUSION RINGS
TEMPERATURE RANGE	-40° TO +230° F +32 TO +140 F (HFA)
PRESSURE RANGE	0 TO 10,000 PSI (DYNAMIC) 0 TO 17,400 PSI (STATIC)
SPEED	1 FT/SEC

PISTON SEAL ASSEMBLIES

Part Number	A Nom. ID	B Nom. OD	C Nom. Ht	D GROOVE WIDTH	H GROOVE DIAMETER	J BORE DIAMETER	List Price
MTPS-80X66X16.5	66	80	16.5	17.00 +0.20 +0.00	66.00 +0.00 -0.07	80.00 +0.12 +0.00	\$120.19
MTPS-90X75X13	75	90	13	13.50 +0.20 +0.00	75.00 +0.00 -0.07	90.00 +0.14 +0.00	128.22
MTPS-100X85X13	85	100	13	13.50 +0.20 +0.00	85.00 +0.00 -0.09	100.00 +0.14 +0.00	138.81
MTPS-125X110X15.3	110	125	15.3	15.80 +0.20 +0.00	110.00 +0.00 -0.09	125.00 +0.16 +0.00	167.66
MTPS-130X105X24.5	105	130	24.5	25.00 +0.20 +0.00	105.00 +0.00 -0.09	130.00 +0.16 +0.00	195.03
MTPS-135X118X20	118	135	20	20.50 +0.20 +0.00	118.00 +0.00 -0.09	135.00 +0.16 +0.00	190.51
MTPS-150X133X19.5	133	150	19.5	20.00 +0.20 +0.00	133.00 +0.00 -0.10	150.00 +0.16 +0.00	256.26
MTPS-160X135X24.5	135	160	24.5	25.00 +0.20 +0.00	135.00 +0.00 -0.10	160.00 +0.16 +0.00	239.50
MTPS-160X145X15.5	145	160	15.5	16.00 +0.20 +0.00	145.00 +0.00 -0.10	160.00 +0.16 +0.00	209.58
MTPS-165X145X19.5	145	165	19.5	20.00 +0.20 +0.00	145.00 +0.00 -0.10	165.00 +0.16 +0.00	216.20
MTPS-170X150X15.5	150	170	15.5	16.00 +0.20 +0.00	150.00 +0.00 -0.10	170.00 +0.16 +0.00	229.62
MTPS-190X170X15.5	170	190	15.5	16.00 +0.20 +0.00	170.00 +0.00 -0.10	190.00 +0.19 +0.00	259.80
MTPS-195X170X24.9	170	195	24.9	25.38 +0.20 +0.00	170.00 +0.00 -0.10	195.00 +0.19 +0.00	617.78
MTPS-200X180X15.5	180	200	15.5	16.00 +0.20 +0.00	180.00 +0.00 -0.10	200.00 +0.19 +0.00	240.37
MTPS-200X180X19.5	180	200	19.5	20.00 +0.20 +0.00	180.00 +0.00 -0.10	200.00 +0.19 +0.00	243.81

FORMERLY LISTED REPAIR PARTS ARE AVAILABLE ONLINE AT WWW.HERCULESUS.COM
OR BY CONTACTING YOUR REGIONAL HERCULES SALES TEAM.



STYLE MTPS FOUR PIECE PISTON SEALS

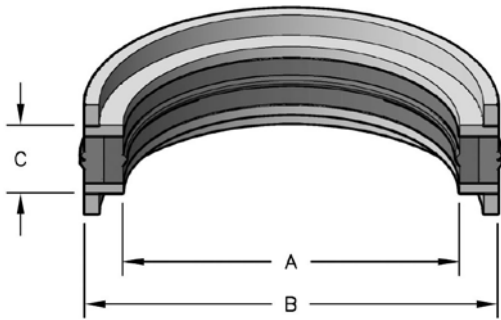
Part Number	A Nom. ID	B Nom. OD	C Nom. Ht	D GROOVE WIDTH	H GROOVE DIAMETER	J BORE DIAMETER	List Price
MTPS-220X195X24.5	195	220	24.5	25.00 ^{+0.20} / _{+0.00}	195.00 ^{+0.00} / _{-0.12}	220.00 ^{+0.19} / _{+0.00}	309.31
MTPS-225X200X24.6	200	225	24.6	25.15 ^{+0.20} / _{+0.00}	200.00 ^{+0.00} / _{-0.12}	225.00 ^{+0.19} / _{+0.00}	602.35
MTPS-225X205X19.5	205	225	19.5	20.00 ^{+0.20} / _{+0.00}	205.00 ^{+0.00} / _{-0.12}	225.00 ^{+0.19} / _{+0.00}	316.79
MTPS-240X213X29.5	213	240	29.5	30.00 ^{+0.20} / _{+0.00}	213.00 ^{+0.00} / _{-0.12}	240.00 ^{+0.19} / _{+0.00}	343.62
MTPS-250X225X24.5	225	250	24.5	25.00 ^{+0.20} / _{+0.00}	225.00 ^{+0.00} / _{-0.12}	250.00 ^{+0.19} / _{+0.00}	380.32
MTPS-270X245X23.5	245	270	23.5	24.00 ^{+0.20} / _{+0.00}	245.00 ^{+0.00} / _{-0.12}	270.00 ^{+0.21} / _{+0.00}	404.61
MTPS-280X255X24.5	255	280	24.5	25.00 ^{+0.20} / _{+0.00}	255.00 ^{+0.00} / _{-0.13}	280.00 ^{+0.21} / _{+0.00}	411.13
MTPS-285X260X24.5	260	285	24.5	25.00 ^{+0.20} / _{+0.00}	260.00 ^{+0.00} / _{-0.13}	285.00 ^{+0.21} / _{+0.00}	432.75
MTPS-300X275X24.5	275	300	24.5	25.00 ^{+0.20} / _{+0.00}	275.00 ^{+0.00} / _{-0.13}	300.00 ^{+0.21} / _{+0.00}	453.83
MTPS-400X370X31.5	370	400	31.5	32.00 ^{+0.20} / _{+0.00}	370.00 ^{+0.00} / _{-0.14}	400.00 ^{+0.23} / _{+0.00}	913.87

PISTON SEAL ASSEMBLIES

STYLE MNCF FIVE PIECE PISTON SEALS



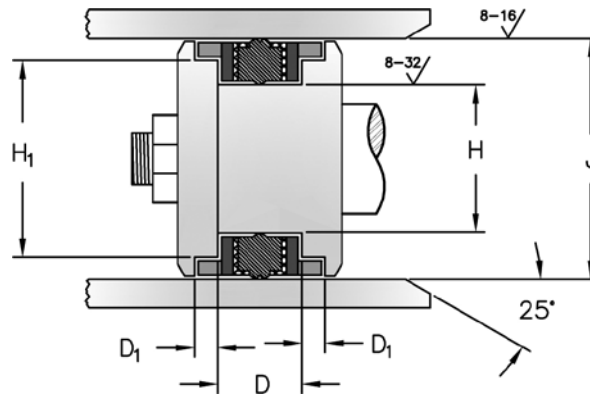
For two piece pistons, this seal incorporates a nitrile / fabric seal with two split bearings.



HERCULES PART NUMBERS

MNCF - 070
 Type of Seal Bore Diameter

SEAL INFORMATION	
MATERIAL	NITRILE SEAL ACETAL BEARING
TEMPERATURE RANGE	-22° TO +190° F
PRESSURE RANGE	0 TO 5,000 PSI
SPEED	1.5 FT/SEC



Part Number	A Nom. ID	B Nom. OD	C Nom. Ht	D SEAL GROOVE WIDTH	D ₁ BEARING GROOVE WIDTH	H GROOVE DIAMETER	H ₁ BEARING GROOVE DIAMETER	J BORE DIAMETER	List Price
MNCF-070	56	70	22	22.00	7.95	56.00	61.50	70.00	\$159.30
MNCF-080	66	80	22	22.00	7.95	66.00	71.50	80.00	172.58
MNCF-090	76	90	22	22.00	7.95	76.00	81.50	90.00	185.89
MNCF-100	86	100	22	22.00	9.95	86.00	91.50	100.00	212.39
MNCF-110	96	110	22	22.00	9.95	96.00	101.50	110.00	238.93
MNCF-120	106	120	22	22.00	9.95	106.00	111.50	120.00	238.93

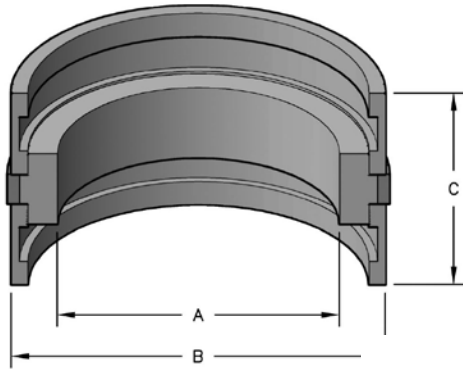
PISTON SEAL ASSEMBLIES

Seal color may vary. Special order sizes are available. Please call your regional sales team for assistance.



STYLE PS-GKD PISTON SEALS

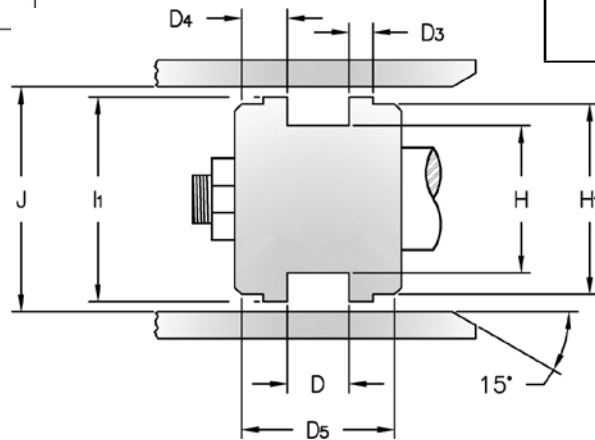
PS-GKD consists of a bronze-filled PTFE cap energized by a urethane expander and guided with PTFE/bronze reinforced POM bearing rings. The standard piston construction permits use to 5200 psi pressure and the reinforced piston construction up to 8700 psi. These are genuine Hunger® parts.



HERCULES PART NUMBERS

PS-GKD - 40 X 26 X 30

Type of Seal Outside Diameter Inside Diameter Height



SEAL INFORMATION	
MATERIAL	BRONZE/PTFE URETHANE PTFE/ BRONZE/POM
TEMPERATURE RANGE	-22° TO +248° F
PRESSURE RANGE	0 TO 8,700 PSI
SPEED	3 FT/SEC

PISTON SEAL ASSEMBLIES

Part Number	A Nom. ID	B Nom. OD	C Nom. Ht	D GROOVE WIDTH	H GROOVE DIAMETER	H ₁ BEARING GROOVE DIAMETER	I ₁ PROTRUSION DIAMETER	J BORE DIAMETER	D ₃ PROTRUSION WIDTH	D ₅ PISTON WIDTH	D ₄ PISTON END TO GROOVE	List Price
PS-GKD 40X26X30	26	40	30	15.50 +0.12 -0.05	26.00 +0.000 -0.052	32.00 -0.025 -0.064	36.00 -0.025 -0.064	40.00 +0.039 +0.000	3.50 -0.030 -0.078	30.00	7.25 +0.10 +0.00	\$203.29
PS-GKD 50X34X32	34	50	32	20.50 +0.149 -0.065	34.00 +0.000 -0.062	42.00 -0.025 -0.064	46.00 -0.025 -0.064	50.00 +0.039 +0.000	3.00 -0.02 -0.06	32.00	5.80 +0.10 +0.00	211.88
PS-GKD 60X44X32	44	60	32	20.50 +0.149 -0.065	44.00 +0.000 -0.062	52.00 -0.030 -0.076	56.00 -0.030 -0.076	60.00 +0.046 +0.000	3.00 -0.02 -0.06	32.00	5.80 +0.10 +0.00	238.36
PS-GKD 63X47X32	47	63	32	20.50 +0.149 -0.065	47.00 +0.000 -0.062	55.00 -0.030 -0.076	59.00 -0.030 -0.076	63.00 +0.046 +0.000	3.00 -0.02 -0.06	32.00	5.80 +0.10 +0.00	240.49
PS-GKD 70X54X32	54	70	32	20.50 +0.149 -0.065	54.00 +0.000 -0.074	62.00 -0.030 -0.076	66.00 -0.030 -0.076	70.00 +0.046 +0.000	3.00 -0.02 -0.06	32.00	5.80 +0.10 +0.00	250.95
PS-GKD 75X59X32	59	75	32	20.50 +0.149 -0.065	59.00 +0.000 -0.074	67.00 -0.030 -0.076	71.00 -0.030 -0.076	75.00 +0.046 +0.000	3.00 -0.02 -0.06	32.00	5.80 +0.10 +0.00	238.36
PS-GKD 80X62X36	62	80	36	22.50 +0.149 -0.065	62.00 +0.000 -0.074	72.00 -0.030 -0.076	76.00 -0.030 -0.076	80.00 +0.046 +0.000	3.00 -0.02 -0.06	36.00	6.80 +0.10 +0.00	264.19
PS-GKD 100X82X36	82	100	36	22.50 +0.149 -0.065	82.00 +0.000 -0.087	92.00 -0.036 -0.090	96.00 -0.036 -0.090	100.00 +0.054 +0.000	3.00 -0.02 -0.06	36.00	6.80 +0.10 +0.00	278.07
PS-GKD 115X97X36	97	115	36	22.50 +0.149 -0.065	97.00 +0.000 -0.087	107.00 -0.036 -0.090	111.00 -0.036 -0.090	115.00 +0.054 +0.000	3.00 -0.02 -0.06	36.00	6.80 +0.10 +0.00	301.91
PS-GKD 120X102X36	102	120	36	22.50 +0.149 -0.065	102.00 +0.000 -0.087	112.00 -0.036 -0.090	116.00 -0.036 -0.090	120.00 +0.054 +0.000	3.00 -0.02 -0.06	36.00	6.80 +0.10 +0.00	308.55
PS-GKD 125X103X43	103	125	43	26.50 +0.149 -0.065	103.00 +0.000 -0.087	115.00 -0.036 -0.090	121.00 -0.043 -0.106	125.00 +0.063 +0.000	4.00 -0.030 -0.078	43.00	8.30 +0.10 +0.00	291.33
PS-GKD 140X118X43	118	140	43	26.50 +0.149 -0.065	118.00 +0.000 -0.087	130.00 -0.043 -0.106	136.00 -0.043 -0.106	140.00 +0.063 +0.000	4.00 -0.030 -0.078	43.00	8.30 +0.10 +0.00	376.11
PS-GKD 150X128X43	128	150	43	26.50 +0.149 -0.065	128.00 +0.000 -0.10	140.00 -0.043 -0.106	146.00 -0.043 -0.106	150.00 +0.063 +0.000	4.00 -0.030 -0.078	43.00	8.30 +0.10 +0.00	397.29
PS-GKD 160X138X43	138	160	43	26.50 +0.149 -0.065	138.00 +0.000 -0.10	150.00 -0.043 -0.106	156.00 -0.043 -0.106	160.00 +0.063 +0.000	4.00 -0.030 -0.078	43.00	8.30 +0.10 +0.00	423.78

STYLE PS-GKD PISTON SEALS



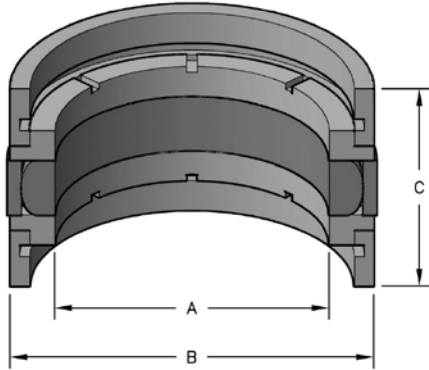
Part Number	A Nom. ID	B Nom. OD	C Nom. Ht	D GROOVE WIDTH	H GROOVE DIAMETER	H ₁ BEARING GROOVE DIAMETER	I ₁ PROTRUSION DIAMETER	J BORE DIAMETER	D ₃ PROTRUSION WIDTH	D ₅ PISTON WIDTH	D ₄ PISTON END TO GROOVE	List Price
PS-GKD 170X148X48	148	170	48	26.50 ^{+0.149} _{-0.065}	148.00 ^{+0.00} _{-0.10}	160.00 ^{-0.043} _{-0.106}	166.00 ^{-0.043} _{-0.106}	170.00 ^{+0.063} _{+0.000}	6.00 ^{-0.030} _{-0.078}	48.00	10.80 ^{+0.10} _{+0.00}	450.24
PS-GKD 180X158X48	158	180	48	26.50 ^{+0.149} _{-0.065}	158.00 ^{+0.00} _{-0.10}	170.00 ^{-0.043} _{-0.106}	176.00 ^{-0.043} _{-0.106}	180.00 ^{+0.063} _{+0.000}	6.00 ^{-0.030} _{-0.078}	48.00	10.80 ^{+0.10} _{+0.00}	476.72
PS-GKD 200X175X48	175	200	48	31.50 ^{+0.18} _{-0.08}	175.00 ^{+0.00} _{-0.10}	190.00 ^{-0.050} _{-0.122}	196.00 ^{-0.050} _{-0.122}	200.00 ^{+0.072} _{+0.000}	4.50 ^{-0.030} _{-0.078}	48.00	8.30 ^{+0.10} _{+0.00}	552.87
PS-GKD 220X195X58	195	220	58	31.50 ^{+0.18} _{-0.08}	195.00 ^{+0.000} _{-0.115}	210.00 ^{-0.050} _{-0.122}	216.00 ^{-0.050} _{-0.122}	220.00 ^{+0.072} _{+0.000}	8.00 ^{-0.040} _{-0.098}	58.00	13.30 ^{+0.10} _{+0.00}	617.75
PS-GKD 250X225X74	225	250	74	31.50 ^{+0.18} _{-0.08}	225.00 ^{+0.000} _{-0.115}	240.00 ^{-0.050} _{-0.122}	246.00 ^{-0.050} _{-0.122}	250.00 ^{+0.072} _{+0.000}	15.00 ^{-0.05} _{-0.12}	74.00	21.30 ^{+0.10} _{+0.00}	716.41

PISTON SEAL ASSEMBLIES

Seal color may vary. Special order sizes are available. Please call your regional sales team for assistance.

STYLE PS-GD1000K PISTON SEALS

PS-GD1000K consists of PTFE-bronze cap energized by a nitrile expander, supported by plastic back-up rings and guided with PTFE/bronze reinforced POM bearing rings. The standard piston construction permits use to 5200 psi pressure and the reinforced piston construction up to 9000 psi. These are genuine Hunger® parts.

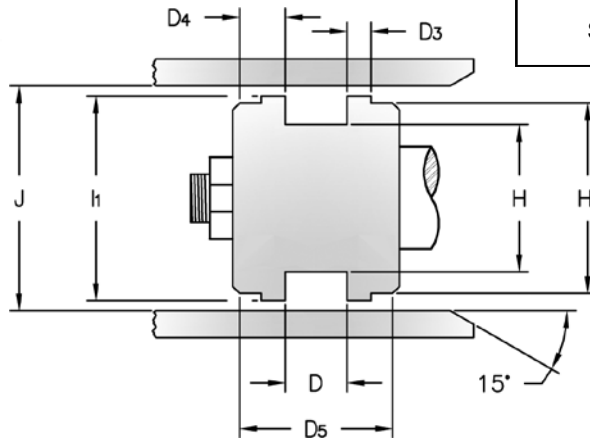


* Limited Availability.

HERCULES PART NUMBERS

PS-GD1000K - 40 X 26 X 32

Type of Seal Outside Diameter Inside Diameter Height



SEAL INFORMATION

MATERIAL	BRONZE/PTFE URETHANE FILLED POM
TEMPERATURE RANGE	-22° TO +248° F
PRESSURE RANGE	0 TO 9,000 PSI
SPEED	3 FT/SEC

Part Number	A Nom. ID	B Nom. OD	C Nom. Ht	D GROOVE WIDTH	H GROOVE DIAMETER	H ₁ BEARING GROOVE DIAMETER	I ₁ PROTRUSION DIAMETER	J BORE DIAMETER	D ₃ PROTRUSION WIDTH	D ₅ PISTON WIDTH	D ₄ PISTON END TO GROOVE	List Price
PS-GD1000K40X26X32	26	40	32	15.50 +0.12 +0.05	26.00 +0.000 -0.052	32.00 -0.025 -0.064	36.00 -0.025 -0.064	40.00 +0.039 +0.000	3.50 -0.030 -0.078	32.00	8.25 +0.10 +0.00	\$278.09
PS-GD1000K50X34X32	34	50	32	20.50 +0.149 +0.065	34.00 +0.000 -0.062	42.00 -0.025 -0.064	46.00 -0.025 -0.064	50.00 +0.039 +0.000	3.00 -0.02 -0.06	32.00	5.80 +0.10 +0.00	350.95
PS-GD1000K63X47X39	47	63	39	20.50 +0.149 +0.065	47.00 +0.000 -0.062	55.00 -0.030 -0.076	59.00 -0.030 -0.076	63.00 +0.046 +0.000	3.00 -0.02 -0.06	39.00	9.25 +0.10 +0.00	329.76
PS-GD1000K70X54X32	54	70	32	20.50 +0.149 +0.065	54.00 +0.000 -0.074	62.00 -0.030 -0.076	66.00 -0.030 -0.076	70.00 +0.046 +0.000	3.00 -0.02 -0.06	32.00	5.80 +0.10 +0.00	388.01
PS-GD1000K70X54X39	54	70	39	20.50 +0.149 +0.065	54.00 +0.000 -0.074	62.00 -0.030 -0.076	66.00 -0.030 -0.076	70.00 +0.046 +0.000	3.00 -0.02 -0.06	39.00	9.25 +0.10 +0.00	331.08
PS-GD1000K80X62X43	62	80	43	22.50 +0.149 +0.065	62.00 +0.000 -0.074	72.00 -0.030 -0.076	76.00 -0.030 -0.076	80.00 +0.046 +0.000	3.00 -0.02 -0.06	43.00	10.25 +0.10 +0.00	346.95
PS-GD1000K90X72X43	72	90	43	22.50 +0.149 +0.065	72.00 +0.000 -0.074	82.00 -0.036 -0.090	86.00 -0.036 -0.090	90.00 +0.054 +0.000	3.00 -0.02 -0.06	43.00	10.25 +0.10 +0.00	368.81
PS-GD1000K100X82X36	82	100	36	22.50 +0.149 +0.065	82.00 +0.000 -0.087	92.00 -0.036 -0.090	96.00 -0.036 -0.090	100.00 +0.054 +0.000	3.00 -0.02 -0.06	36.00	6.80 +0.10 +0.00	434.35
PS-GD1000K100X82X43	82	100	43	22.50 +0.149 +0.065	82.00 +0.000 -0.087	92.00 -0.036 -0.090	96.00 -0.036 -0.090	100.00 +0.054 +0.000	3.00 -0.02 -0.06	43.00	10.25 +0.10 +0.00	382.06
PS-GD1000K110X92X43	92	110	43	22.50 +0.149 +0.065	92.00 +0.000 -0.087	102.00 -0.036 -0.090	106.00 -0.036 -0.090	110.00 +0.054 +0.000	3.00 -0.02 -0.06	43.00	10.25 +0.10 +0.00	391.31
PS-GD1000K115X97X43	97	115	43	22.50 +0.149 +0.065	97.00 +0.000 -0.087	107.00 -0.036 -0.090	111.00 -0.036 -0.090	115.00 +0.054 +0.000	3.00 -0.02 -0.06	43.00	10.25 +0.10 +0.00	397.29
PS-GD1000K120X102X43	102	120	43	22.50 +0.149 +0.065	102.00 +0.000 -0.087	112.00 -0.036 -0.090	116.00 -0.036 -0.090	120.00 +0.054 +0.000	3.00 -0.02 -0.06	43.00	10.25 +0.10 +0.00	419.15
PS-GD1000K125X103X43	103	125	43	26.50 +0.149 +0.065	103.00 +0.000 -0.087	115.00 -0.036 -0.090	121.00 -0.043 -0.106	125.00 +0.063 +0.000	4.00 -0.030 -0.078	43.00	8.30 +0.10 +0.00	444.96
PS-GD1000K125X103X53	103	125	53	26.50 +0.149 +0.065	103.00 +0.000 -0.087	115.00 -0.036 -0.090	121.00 -0.043 -0.106	125.00 +0.063 +0.000	4.00 -0.030 -0.078	53.00	13.25 +0.10 +0.00	443.00

STYLE PS-GD1000K PISTON SEALS



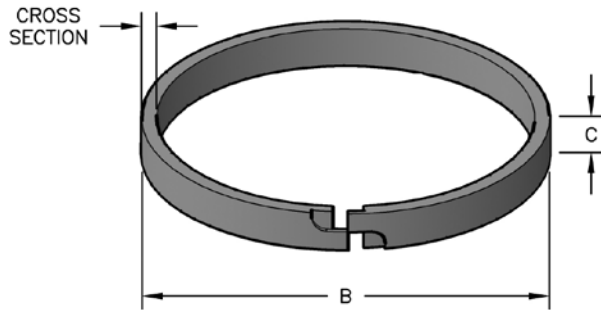
Part Number	A Nom. ID	B Nom. OD	C Nom. Ht	D GROOVE WIDTH	H GROOVE DIAMETER	H ₁ BEARING GROOVE DIAMETER	I ₁ PROTRUSION DIAMETER	J BORE DIAMETER	D ₃ PROTRUSION WIDTH	D ₅ PISTON WIDTH	D ₄ PISTON END TO GROOVE	List Price
PS-GD1000K 130X108X53	108	130	53	26.50 +0.149 +0.065	108.00 +0.000 -0.087	120.00 -0.036 -0.090	126.00 -0.043 -0.106	130.00 +0.063 +0.000	4.00 -0.030 -0.078	53.00	13.25 +0.10 +0.00	463.50
PS-GD1000K 140X118X43	118	140	43	26.50 +0.149 +0.065	118.00 +0.000 -0.087	130.00 -0.043 -0.106	136.00 -0.043 -0.106	140.00 +0.063 +0.000	4.00 -0.030 -0.078	43.00	8.30 +0.10 +0.00	617.64
PS-GD1000K 140X118X53	118	140	53	26.50 +0.149 +0.065	118.00 +0.000 -0.087	130.00 -0.043 -0.106	136.00 -0.043 -0.106	140.00 +0.063 +0.000	4.00 -0.030 -0.078	53.00	13.25 +0.10 +0.00	496.58
PS-GD1000K 150X128X53	128	150	53	26.50 +0.149 +0.065	128.00 +0.00 -0.10	140.00 -0.043 -0.106	146.00 -0.043 -0.106	150.00 +0.063 +0.000	4.00 -0.030 -0.078	53.00	13.25 +0.10 +0.00	529.70
PS-GD1000K 160X138X43	138	160	43	26.50 +0.149 +0.065	138.00 +0.00 -0.10	150.00 -0.043 -0.106	156.00 -0.043 -0.106	160.00 +0.063 +0.000	4.00 -0.030 -0.078	43.00	8.30 +0.10 +0.00	595.92
PS-GD1000K 160X138X53	138	160	53	26.50 +0.149 +0.065	138.00 +0.00 -0.10	150.00 -0.043 -0.106	156.00 -0.043 -0.106	160.00 +0.063 +0.000	4.00 -0.030 -0.078	53.00	13.25 +0.10 +0.00	598.59
PS-GD1000K 165X143X57	143	165	57	26.50 +0.149 +0.065	143.00 +0.00 -0.10	155.00 -0.043 -0.106	161.00 -0.043 -0.106	165.00 +0.063 +0.000	6.00 -0.030 -0.078	57.00	15.25 +0.10 +0.00	681.34
PS-GD1000K 180X158X48	158	180	48	26.50 +0.149 +0.065	158.00 +0.00 -0.10	170.00 -0.043 -0.106	176.00 -0.043 -0.106	180.00 +0.063 +0.000	6.00 -0.030 -0.078	48.00	10.80 +0.10 +0.00	662.15
PS-GD1000K 180X158X57	158	180	57	26.50 +0.149 +0.065	158.00 +0.00 -0.10	170.00 -0.043 -0.106	176.00 -0.043 -0.106	180.00 +0.063 +0.000	6.00 -0.030 -0.078	57.00	15.25 +0.10 +0.00	692.59
PS-GD1000KS 190X165X48	165	190	48	31.50 +0.18 +0.08	165.00 +0.00 -0.10	180.00 -0.043 -0.106	186.00 -0.050 -0.122	190.00 +0.072 +0.000	4.50 -0.030 -0.078	48.00	8.30 +0.10 +0.00	773.36
PS-GD1000KS 200X175X64	175	200	64	31.50 +0.18 +0.08	175.00 +0.00 -0.10	190.00 -0.050 -0.122	196.00 -0.050 -0.122	200.00 +0.072 +0.000	4.50 -0.030 -0.078	64.00	16.25 +0.10 +0.00	919.69
PS-GD1000K 220X195X71	195	220	71	31.50 +0.18 +0.08	195.00 +0.000 -0.115	210.00 -0.050 -0.122	216.00 -0.050 -0.122	220.00 +0.072 +0.000	8.00 -0.040 -0.098	71.00	19.75 +0.10 +0.00	747.55
PS-GD1000K 225X200X71	200	225	71	31.50 +0.18 +0.08	200.00 +0.000 -0.115	215.00 -0.050 -0.122	221.00 -0.050 -0.122	225.00 +0.072 +0.000	8.00 -0.040 -0.098	71.00	19.75 +0.10 +0.00	799.19
PS-GD1000K 230X205X85	205	230	85	31.50 +0.18 +0.08	205.00 +0.000 -0.115	220.00 -0.050 -0.122	226.00 -0.050 -0.122	230.00 +0.072 +0.000	15.00 -0.05 -0.12	85.00	26.75 +0.10 +0.00	860.76
PS-GD1000K 250X225X85	225	250	85	31.50 +0.18 +0.08	225.00 +0.000 -0.115	240.00 -0.050 -0.122	246.00 -0.050 -0.122	250.00 +0.072 +0.000	15.00 -0.05 -0.12	85.00	26.75 +0.10 +0.00	902.49
PS-GD1000K 320X290X80	290	320	80	36.50 +0.18 +0.08	290.00 +0.00 -0.13	308.00 -0.056 -0.137	314.00 -0.056 -0.137	320.00 +0.089 +0.000	8.50 -0.040 -0.098	80.00	21.75 +0.10 +0.00	2088.36

PISTON SEAL ASSEMBLIES

* Closeout item - Price Shown as Net. This item will no longer be available once stock has been depleted.

STYLE MSPR PISTON RINGS

Machined from iron, most employ an overlapped joint which allows the passing of ports.



HERCULES PART NUMBERS

MSPR - 40 X 2 X 2
 Type of Seal Outside Diameter Width Radial Wall

SEAL INFORMATION

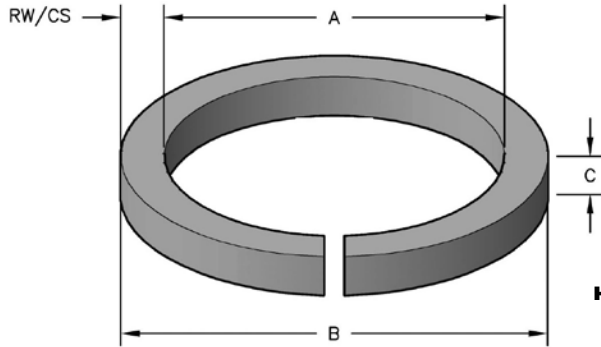
MATERIAL

IRON

Part Number	B Nom. OD	C Nom. Ht	Nom. Cross Section	List Price
MSPR-40X2X2	40	2	2	\$20.40
MSPR-45X2.5X2.2	45	2.5	2.2	20.40
MSPR-50X2.5X2.3	50	2.5	2.3	20.40
MSPR-50X2X2	50	2	2	20.40
MSPR-55X3X2.5	55	3	2.5	22.79
MSPR-63X3X2.5-ST	63	3	2.5	15.84
MSPR-90X4X3.5	90	4	3.5	36.96
MSPR-95X4X4	95	4	4	44.37
MSPR-100X4X4.7	100	4	4.7	128.30
MSPR-100X4.7X4.2	100	4.7	4.2	151.12
MSPR-105X4X4.4	105	4	4.4	45.27
MSPR-110X3X4.6	110	3	4.6	15.90
MSPR-120X4X5	120	4	5	89.26
MSPR-125X4X4.8	125	4	4.8	46.30
MSPR-130X4X5.4	130	4	5.4	94.81
MSPR-130X6.3X3.75	130	6.3	3.75	76.31
MSPR-135X4X5.4	135	4	5.4	58.14
MSPR-135X6.3X3.75	135	6.3	3.75	50.69
MSPR-140X4X5.7	140	4	5.7	68.72
MSPR-145X4X6	145	4	6	74.22
MSPR-150X4X6.3	150	4	6.3	78.25
MSPR-160X4X6.55	160	4	6.55	80.31
MSPR-160X7.88X5.55	160	7.88	5.55	81.13
MSPR-170X4X7	170	4	7	86.46
MSPR-180X8X6	180	8	6	108.16
MSPR-185X4X7.55	185	4	7.55	97.22
MSPR-200X7.88X6.8	200	7.88	6.8	109.38

Seal color may vary. Special order sizes are available. Please call your regional sales team for assistance.

STYLE MBR PISTON RINGS



HERCULES PART NUMBERS

MBR - 70 X 6 X 6

Type of Seal Outside Diameter Width Radial Wall

SEAL INFORMATION

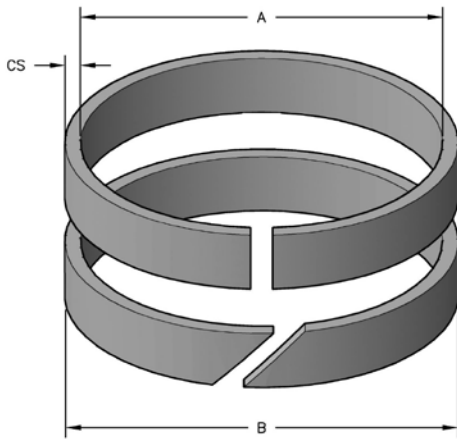
MATERIAL	BRONZE
SPEED	3 FT/SEC

Part Number	A Nom. ID	B Nom. OD	C Nom. Ht	Nom. Cross Section	List Price
MBR-70X6X6	58	70	6	6	\$56.58
MBR-80X6X6	68	80	6	6	70.88

Seal color may vary. Special order sizes are available. Please call your regional sales team for assistance.

STYLE MWR WEAR RINGS

This wear ring is molded from glass reinforced nylon. This style is highly recommended because of their wear rate and non-scoring properties and their ability to ingest metal chips.



HERCULES PART NUMBERS

MWR - 28 X 10 X 1.5
 Type of Seal Outside Diameter Width Cross Section

Suffix:
 SC = Scarf Cut Ring
 SL = Slotted

SEAL INFORMATION

MATERIAL	NYLON
TEMPERATURE RANGE	-40° TO +275° F
SPEED	3 FT/SEC
COMPRESSIVE STRENGTH	26,000 PSI
TENSILE STRENGTH	25,000 PSI

WEAR RINGS

Part Number	A Nom. ID	B Nom. OD	C Nom. Ht	Nom. Cross Section	List Price
MWR-120X40X3	114	120	40	3	\$50.95
MWR-28X10X1.5	25	28	10	1.5	31.25
MWR-32X4X1.5	29	32	4	1.5	26.03
MWR-35X8X2	31	35	8	2	11.39
MWR-35X4X1.5-SC	32	35	4	1.5	18.71
MWR-35X9.5X1.5	32	35	9.5	1.5	30.62
MWR-35X15X1.5	32	35	15	1.5	37.98
MWR-35X15.9X1.5	32	35	15.9	1.5	39.74
MWR-36X12.7X3.1	29.8	36	12.7	3.1	17.10
MWR-36X11.2X2.5	31	36	11.2	2.5	151.51
MWR-38X24.4X1.53-SC	34.94	38	24.4	1.53	35.52
MWR-39X16X1.5	36	39	16	1.5	40.89
MWR-40X5X2.5-SC	35	40	4.8	2.5	50.06
MWR-40X12X2	36	40	12	2	25.52
MWR-41.2X12.6X3.1	35	41.2	12.65	3.1	8.66
MWR-43X15.9X1.5	40	43	15.9	1.5	40.19
MWR-45X14.5X3	39	45	14.5	3	14.06
MWR-45X20X2	41	45	20	2	26.87
MWR-46.36X25.4X3.18-SC	40	46.36	25.4	3.18	14.34
MWR-48X22.5X1.5	45	48	22.5	1.5	43.09
MWR-48X25X1.5-SC	45	48	25	1.5	17.69
MWR-50X15X3.2-SC	43.6	50	15	3.2	15.94
MWR-50X19X3.17	43.66	50	19	3.17	27.83
MWR-50X5X3	44	50	5	3	14.27
MWR-50X5.6X2.5-SC	45	50	5.6	2.5	14.96
MWR-50X9.5X2.5	45	50	9.5	2.5	16.15
MWR-50X14.8X2.5	45	50	14.8	2.5	28.62
MWR-50X20X2.5	45	50	20	2.5	15.73
MWR-50X9.5X2	46	50	9.5	2	15.66
MWR-50X10X2	46	50	10	2	13.14
MWR-50X14.5X2	46	50	14.5	2	14.30
MWR-51X9.6X3	45	51	9.6	3	14.30
MWR-51X22.2X3	45	51	22.2	3	35.95
MWR-51.4X25.4X3.2-SC	45	51.4	25.4	3.2	14.97
MWR-53X24.5X1.5	50	53	24.5	1.5	24.48
MWR-55X14.75X3.18	48.68	55	14.75	3.18	13.28
MWR-55X10.5X3	49	55	10.5	3	14.39

Part Number	A Nom. ID	B Nom. OD	C Nom. Ht	Nom. Cross Section	List Price
MWR-55X15.5X3	49	55	15.5	3	16.47
MWR-55X6.2X2.5-SC	50	55	6.2	2.5	13.59
MWR-55X7.9X2.5	50	55	7.9	2.5	30.72
MWR-55X9.2X2.5-SC	50	55	9.2	2.5	14.50
MWR-55X20X2.5	50	55	20	2.5	22.95
MWR-56X5X3.12	49.76	56	5	3.12	17.69
MWR-56X12.7X3	50	56	12.7	3	31.77
MWR-56X25X3	50	56	25	3	39.13
MWR-56.36X25.4X3.18-SC	50	56.36	25.4	3.18	16.01
MWR-58X24.7X1.53-SC	54.94	58	24.7	1.53	25.44
MWR-60X12.7X3.17	53.66	60	12.7	3.17	29.51
MWR-60X19X3.17	53.66	60	19	3.17	30.35
MWR-60X6X3	54	60	6	3	11.20
MWR-60X6X2.5-SC	55	60	6	2.5	11.24
MWR-60X9.4X2.5-SC	55	60	9.4	2.5	26.81
MWR-60X14.5X2.5	55	60	14.5	2.5	17.88
MWR-60X15X2.5-SC	55	60	15	2.5	18.28
MWR-60X20X2.5	55	60	20	2.5	18.09
MWR-62X24.6X3	56	62	24.6	3	22.49
MWR-62X10X2	58	62	10	2	18.05
MWR-63X5X3.1	56.8	63	5	3.1	25.92
MWR-63X4.8X2.5-SC	58	63	4.8	2.5	11.30
MWR-63X5.6X2.5	58	63	5.6	2.5	13.14
MWR-63X20X2.5	58	63	20	2.5	18.16
MWR-63X12X2-SC	59	63	12	2	43.12
MWR-63X25X1.5-SC	60	63	25	1.5	41.88
MWR-65X15.5X3	59	65	15.5	3	17.46
MWR-65X5.4X2.5-SC	60	65	5.4	2.5	20.26
MWR-65X6X2.5-SC	60	65	6	2.5	11.34
MWR-65X10X2.5	60	65	10	2.5	11.18
MWR-65X15X2.5-SC	60	65	15	2.5	78.07
MWR-65X10X2	61	65	10	2	32.26
MWR-68X19.8X2.5-SC	63	68	19.8	2.5	26.56
MWR-68X25X1.5-SC	65	68	25	1.5	21.13
MWR-69X30X3	63	69	30	3	37.21
MWR-69X31X3	63	69	31	3	38.44
MWR-70X10X3.12	63.76	70	10	3.12	7.40

STYLE MWR WEAR RINGS

WEAR RINGS

Part Number	A Nom. ID	B Nom. OD	C Nom. Ht	Nom. Cross Section	List Price
MWR-70X14.5X3-SC	64	70	14.5	3	26.84
MWR-70X15.5X3	64	70	15.5	3	18.40
MWR-70X19.5X3	64	70	19.5	3	23.54
MWR-70X5.5X2.5-SC	65	70	5.5	2.5	46.81
MWR-70X6.9X2.5-SC	65	70	6.9	2.5	11.24
MWR-70X15X2.5-SC	65	70	15	2.5	41.88
MWR-70X20X2.5	65	70	20	2.5	16.25
MWR-70X9.5X2.4-SC	65.2	70	9.5	2.4	21.49
MWR-70X10X2	66	70	10	2	6.09
MWR-71X9.7X2.5	66	71	9.7	2.5	15.34
MWR-75X29.8X3.2-SC	68.6	75	29.8	3.2	33.19
MWR-75X9.5X3.15	68.7	75	9.5	3.15	33.08
MWR-75X25X3.15	68.7	75	25	3.15	27.71
MWR-75X12.6X3.1	68.8	75	12.6	3.1	21.23
MWR-75X12.7X3	69	75	12.7	3	16.82
MWR-75X4.8X2.5-SC	70	75	4.8	2.5	10.34
MWR-75X5.4X2.5-SC	70	75	5.4	2.5	18.88
MWR-75X6.2X2.5-SC	70	75	6.2	2.5	39.10
MWR-75X9.5X2.5-SC	70	75	9.5	2.5	14.51
MWR-75X15X2.5-SC	70	75	15	2.5	34.84
MWR-75X10X2	71	75	10	2	27.02
MWR-75X15X2	71	75	15	2	29.62
MWR-76X31.1X3	70	76	31.1	3	35.45
MWR-78X25X1.5-SC	75	78	25	1.5	32.16
MWR-80X29.8X3.2-SC	73.6	80	29.8	3.2	19.59
MWR-80X12.6X3.18-SC	73.64	80	12.65	3.18	13.99
MWR-80X9.35X3.17-SC	73.66	80	9.35	3.17	14.93
MWR-80X6X3.12	73.76	80	6	3.12	33.89
MWR-80X10X3.12	73.76	80	10	3.12	7.46
MWR-80X15.5X3	74	80	15.5	3	19.44
MWR-80X19.5X3	74	80	19.5	3	19.49
MWR-80X25X3	74	80	25	3	33.87
MWR-80X5X2.5-SC	75	80	4.8	2.5	55.44
MWR-80X12.2X2.5	75	80	12.2	2.5	17.13
MWR-80X13X2.5	75	80	13	2.5	16.78
MWR-80X20X2.5	75	80	20	2.5	40.06
MWR-80X10X2	76	80	10	2	39.17
MWR-81X37X3	75	81	37	3	35.62
MWR-83X25X1.5-SC	80	83	25	1.5	32.42
MWR-85X29.9X3.25-SC	78.5	85	29.9	3.25	69.56
MWR-85X12.6X3.18-SC	78.64	85	12.65	3.18	14.18
MWR-85X25X3.17	78.66	85	25	3.17	23.97
MWR-85X14.5X3-SC	79	85	14.5	3	31.40
MWR-85X6X2.5-SC	80	85	6	2.5	46.60
MWR-85X9.5X2.5	80	85	9.5	2.5	58.17
MWR-85X15X2.5-SC	80	85	15	2.5	27.88
MWR-85X25X2.5	80	85	25	2.5	55.29
MWR-85X15X2.45-SC	80.1	85	15	2.45	29.08
MWR-85X5.35X2.4-SC	80.2	85	5.35	2.4	27.04
MWR-85X10X2-SC	81	85	10	2	23.26
MWR-86X25X3	80	86	25	3	16.55
MWR-86X50X3	80	86	50	3	33.15
MWR-88X25X1.5-SC	85	88	25	1.5	41.88
MWR-90X10X4.5-SC	81	90	10	4.5	16.09
MWR-90X12.5X4.5	81	90	12.5	4.5	45.58
MWR-90X9.35X3.17-SC	83.66	90	9.35	3.17	16.99
MWR-90X15X3.15	83.7	90	15	3.15	9.01

Part Number	A Nom. ID	B Nom. OD	C Nom. Ht	Nom. Cross Section	List Price
MWR-90X12.5X3	84	90	12.5	3	18.79
MWR-90X25X3	84	90	25	3	27.20
MWR-91X39.5X3	85	91	39.5	3	62.78
MWR-93X24.9X1.5-SC	90	93	24.9	1.5	59.61
MWR-95X9.85X4.5-SC	86	95	9.85	4.5	43.60
MWR-95X12.5X4.5	86	95	12.5	4.5	46.17
MWR-95X5.9X4-SC	87	95	5.9	4	12.40
MWR-95X25.4X3.2-SC	88.6	95	25.4	3.2	38.76
MWR-95X6X2.5-SC	90	95	6	2.5	12.55
MWR-95X15X2.5-SC	90	95	15	2.5	21.58
MWR-99X13.9X3.6-SL	91.8	99	13.9	3.6	96.59
MWR-100X10X4.5-SC	91	100	10	4.5	15.65
MWR-100X28.3X3.24-SC	93.52	100	28.3	3.24	42.93
MWR-100X9.4X3.15-SC	93.7	100	9.4	3.15	14.04
MWR-100X15X3.15	93.7	100	15	3.15	23.85
MWR-100X5.9X3-SC	94	100	5.9	3	30.16
MWR-100X12.5X3-SC	94	100	12.3	3	37.90
MWR-100X22.4X3-SC	94	100	22.4	3	43.31
MWR-100X25X3	94	100	25	3	25.89
MWR-100X15X2.5-SC	95	100	14.8	2.5	13.35
MWR-101.1X40X3.05	95	101.1	40	3.05	56.16
MWR-105X10X4.5-SC	96	105	10	4.5	34.09
MWR-105X12.5X4.5	96	105	12.5	4.5	44.67
MWR-105X6.2X4-SC	97	105	6.2	4	37.48
MWR-105X15X3-SC	99	105	15	3	38.82
MWR-105X24.5X3	99	105	24.5	3	23.85
MWR-105X40X3	99	105	40	3	47.03
MWR-105X6X2.5-SC	100	105	6	2.5	55.84
MWR-110X10X4.5-SC	101	110	10	4.5	37.03
MWR-110X12.5X4.5	101	110	12.5	4.5	63.95
MWR-110X7.9X3.12	103.76	110	7.9	3.12	19.58
MWR-110X15X3.1	103.8	110	15	3.1	42.58
MWR-110X5.9X3-SC	104	110	5.9	3	32.12
MWR-110X12.5X3-SC	104	110	12.5	3	28.37
MWR-110X22.4X3-SC	104	110	22.4	3	44.35
MWR-110X25X3	104	110	25	3	33.07
MWR-110X30X3-SC	104	110	30	3	38.54
MWR-110X35X3	104	110	35	3	40.05
MWR-110X12.5X2.75	104.5	110	12.5	2.75	41.84
MWR-110X7.6X2.5-SC	105	110	7.6	2.5	69.24
MWR-110X7.9X2.5	105	110	7.9	2.5	17.65
MWR-110X14.8X2.5-SC	105	110	14.8	2.5	3.97
MWR-115X10X4.5-SC	106	115	10	4.5	21.93
MWR-115X15X4.5	106	115	15	4.5	75.38
MWR-115X5.8X4-SC	107	115	5.8	4	57.39
MWR-115X8X3.1-SC	108.8	115	8	3.1	38.27
MWR-115X15X3	109	115	15	3	22.00
MWR-115X7.9X2.5	110	115	7.9	2.5	17.65
MWR-115X9.5X2.5	110	115	9.5	2.5	18.46
MWR-115X12.2X2.5-SC	110	115	12.2	2.5	22.74
MWR-120X10X4.5-SC	111	120	10	4.5	39.07
MWR-120X15X4.5	111	120	15	4.5	79.86
MWR-120X8X4-SC	112	120	8	4	45.61
MWR-120X20X3.12-SC	113.76	120	20	3.12	24.41
MWR-120X5.9X3-SC	114	120	5.9	3	33.25
MWR-120X11.2X3-SC	114	120	11	3	29.88
MWR-120X15X3-SC	114	120	15	3	51.67

STYLE MWR WEAR RINGS

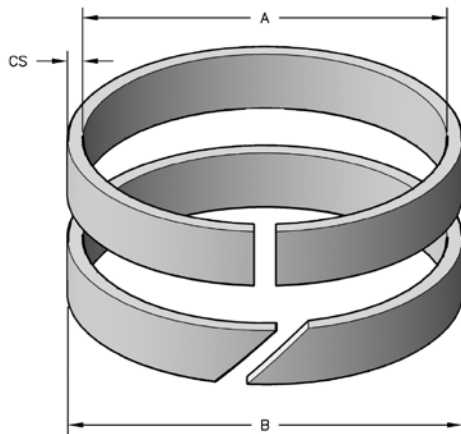
WEAR RINGS

Part Number	A Nom. ID	B Nom. OD	C Nom. Ht	Nom. Cross Section	List Price
MWR-120X15.45X3	114	120	15.45	3	33.26
MWR-120X22.4X3-SC	114	120	22.4	3	48.60
MWR-120X30X3	114	120	30	3	40.08
MWR-120X35X3-SC	114	120	35	3	76.73
MWR-120X8X2.6-SC	114.8	120	8	2.6	10.93
MWR-120X7.9X2.5	115	120	7.9	2.5	19.00
MWR-120X9.5X2.5-SC	115	120	9.5	2.5	34.64
MWR-120X12.5X2.5	115	120	12.5	2.5	44.60
MWR-120X14.8X2.5-SC	115	120	14.8	2.5	3.97
MWR-125X10X5-SC	115	125	10	5	36.13
MWR-125X15X5-SC	115	125	15	5	42.99
MWR-125X8.1X4-SC	117	125	8.1	4	14.72
MWR-125X28X3.25-SC	118.5	125	27.8	3.25	44.07
MWR-125X20X3.12	118.76	125	20	3.12	31.16
MWR-125X10X3.1-SC	118.8	125	10	3.1	34.20
MWR-125X12.5X3-SC	119	125	12.5	3	21.69
MWR-125X15X3	119	125	15	3	51.88
MWR-125X7.9X2.5	120	125	7.9	2.5	19.61
MWR-130X10X5-SC	120	130	10	5	32.49
MWR-130X15X5	120	130	15	5	80.67
MWR-130X7.9X3.5-SC	123	130	7.9	3.5	31.26
MWR-130X15X3.5-SC	123	130	15	3.5	47.55
MWR-130X18.1X3.5	123	130	18.1	3.5	58.76
MWR-130X30X3.5	123	130	30	3.5	60.73
MWR-130X40X3.5-SC	123	130	39.8	3.5	94.49
MWR-130X9.4X3.17-SC	123.66	130	9.4	3.17	18.84
MWR-130X12X3	124	130	12	3	46.50
MWR-130X7.9X2.5	125	130	7.9	2.5	21.14
MWR-130X14.8X2.5-SC	125	130	14.8	2.5	7.70
MWR-135X10X5	125	135	10	5	74.91
MWR-135X15X5	125	135	15	5	87.57
MWR-135X7.75X4-SC	127	135	7.75	4	60.50
MWR-135X9.85X3.85	127.3	135	9.85	3.85	54.34
MWR-135X14.8X3.5	128	135	14.8	3.5	26.18
MWR-135X18.3X3.5-SC	128	135	18.3	3.5	29.51
MWR-135X9.4X3.17-SC	128.66	135	9.4	3.17	47.77
MWR-135X7.9X2.5	130	135	7.9	2.5	23.33
MWR-135X49.9X2.5-SC	130	135	49.9	2.5	92.10
MWR-140X12.5X6-SC	128	140	12.5	6	38.02
MWR-140X17.5X6-SC	128	140	17.5	6	103.90
MWR-140X17.5X3.5	133	140	17.5	3.5	35.60
MWR-140X20.35X3.5	133	140	20.35	3.5	83.45
MWR-140X35X3.5	133	140	35	3.5	20.08
MWR-140X45X3.5-SC	133	140	45	3.5	102.38
MWR-140X10X3.12	133.76	140	10	3.12	21.90
MWR-140X20X3.12	133.76	140	20	3.12	34.13
MWR-140X12.7X3-SC	134	140	12.7	3	29.96
MWR-140X7.9X2.5	135	140	7.9	2.5	24.21
MWR-140X9.5X2.5	135	140	9.5	2.5	38.08
MWR-145X12.2X6-SC	133	145	12.2	6	77.97
MWR-145X9.7X3.85-SC	137.3	145	9.7	3.85	75.02
MWR-145X14.8X3.5	138	145	14.8	3.5	28.44
MWR-145X9.5X2.5	140	145	9.5	2.5	39.25
MWR-150X12.2X6-SC	138	150	12.2	6	109.88
MWR-150X17.5X6	138	150	17.5	6	71.70
MWR-150X14.8X3.5	143	150	14.8	3.5	30.59
MWR-150X20.9X3.5-SC	143	150	20.9	3.5	38.25

Part Number	A Nom. ID	B Nom. OD	C Nom. Ht	Nom. Cross Section	List Price
MWR-150X35X3.5	143	150	35	3.5	89.94
MWR-150X45X3.5-SC	143	150	45	3.5	108.41
MWR-150X12.2X2.5	145	150	12.2	2.5	23.02
MWR-150X14.8X2.5-SC	145	150	14.8	2.5	9.52
MWR-160X15X6-SC	148	160	15	6	42.68
MWR-160X20X6	148	160	20	6	115.81
MWR-160X20X3.5	153	160	20	3.5	79.90
MWR-160X20.3X3.5-SC	153	160	20.3	3.5	62.87
MWR-160X40X3.5	153	160	40	3.5	98.43
MWR-160X45X3.5-SC	153	160	45	3.5	113.88
MWR-160X20X3.12	153.76	160	20	3.12	31.05
MWR-160X12.3X2.5-SC	155	160	12.3	2.5	18.98
MWR-170X20X6-SC	158	170	20	6	141.94
MWR-170X9.35X4-SC	162	170	9.35	4	105.61
MWR-170X9.5X4-SC	162	170	9.5	4	37.43
MWR-170X50X4-SC	162	170	50	4	158.26
MWR-170X25X3.8-SC	162.4	170	25	3.8	72.00
MWR-180X22.7X6-SC	168	180	22.7	6	131.04
MWR-180X22.5X4	172	180	22.5	4	116.72
MWR-180X28.2X4-SC	172	180	28.2	4	86.20
MWR-180X45X4	172	180	45	4	36.01
MWR-180X55X4-SC	172	180	55	4	179.08
MWR-180X20X3	174	180	20	3	33.57
MWR-185X22.5X6	173	185	22.5	6	131.04
MWR-190X9.2X4-SC	182	190	9.2	4	22.43
MWR-190X9.5X4-SC	182	190	9.5	4	74.64
MWR-190X28.5X4-SC	182	190	28.5	4	89.66
MWR-190X45X4	182	190	45	4	136.40
MWR-190X55X4-SC	182	190	55	4	142.61
MWR-200X22.5X6	188	200	22.5	6	121.52
MWR-200X22X4	192	200	22	4	37.01
MWR-200X22.5X4	192	200	22.5	4	67.17
MWR-200X45X4	192	200	45	4	75.55
MWR-200X60X3.25-SC	193.5	200	60	3.25	288.89
MWR-200X20X3.12	193.76	200	20	3.12	52.29
MWR-200X18.9X3-SC	194	200	18.9	3	47.08
MWR-210X28.5X4-SC	202	210	28.3	4	98.49
MWR-220X38X3.25-SC	213.5	220	38	3.25	114.68
MWR-220X60X3.25-SC	213.5	220	60	3.25	130.88
MWR-225X25X6	213	225	25	6	154.03
MWR-225X25X4	217	225	25	4	136.22
MWR-225X50X4	217	225	50	4	136.65
MWR-250X27.5X6	238	250	27.5	6	167.59
MWR-250X55X4	242	250	55	4	175.52
MWR-260X27.5X6	248	260	27.5	6	261.87
MWR-280X60X4	272	280	60	4	242.43
MWR-300X30X6	288	300	30	6	332.07

STYLE MWRB WEAR RINGS

Fabricated from fine woven fabric and phenolic resins, this wear ring is strong yet light weight with an excellent wear rate.



HERCULES PART NUMBERS

MWRB - 30 X 10 X 2.5

Type of Seal Outside Diameter Width Cross Section

Suffix:
SC = Scarf Cut Ring.

SEAL INFORMATION

MATERIAL	PHENOLIC
TEMPERATURE RANGE	-40° TO +250° F
SPEED	3 FT/SEC
COMPRESSIVE STRENGTH	16,000 PSI
TENSILE STRENGTH	10,600 PSI

Part Number	A Nom. ID	B Nom. OD	C Nom. Ht	Nom. Cross Section	List Price
MWRB-25X4X1.5-SC	22	25	4	1.5	\$26.70
MWRB-30X10X2.5-SC	25	30	10	2.5	9.64
MWRB-35X10X2	35	31	9.85	2	7.65
MWRB-33X5.3X2.5-SC	28	33	5.3	2.5	8.14
MWRB-35X16X1.5-SC	32	35	16	1.5	8.44
MWRB-36X8.2X2-SC	32	36	8.2	2	6.27
MWRB-36X9.5X2-SC	32	36	9.5	2	8.47
MWRB-36X20X2	32	36	20	2	15.94
MWRB-37X10X2.5-SC	32	37	10	2.5	10.79
MWRB-39X25X2	35	39	25	2	25.34
MWRB-40X5.5X2.5-SC	35	40	5.5	2.5	4.56
MWRB-40X9.5X2.5	35	40	9.5	2.5	11.52
MWRB-40X7.9X2-SC	36	40	7.9	2	7.68
MWRB-40X9.7X2-SC	36	40	9.7	2	10.09
MWRB-41X5.6X2.5-SC	36	41	5.6	2.5	4.66
MWRB-41X9.7X2.5-SC	36	41	9.7	2.5	6.77
MWRB-44X9.7X2	40	44	9.7	2	15.41
MWRB-44X20X2	40	44	20	2	23.20
MWRB-44X40X2	40	44	40	2	30.95
MWRB-45X14.5X3	39	45	14.5	3	17.81
MWRB-45X6X2.5-SC	40	45	6	2.5	4.72
MWRB-45X10X2.5-SC	40	45	9.9	2.5	3.61
MWRB-45X14X2.5-SC	40	45	14	2.5	2.88
MWRB-45X15X2.5-SC	40	45	15	2.5	8.13
MWRB-45X20X2.5	40	45	20	2.5	16.72
MWRB-45X32X2.5-SC	40	45	32	2.5	23.43
MWRB-46X10X3	40	46	10	3	10.85
MWRB-46X20X3	40	46	20	3	17.81
MWRB-47X5.7X2.5-SC	42	47	5.7	2.5	18.05
MWRB-49X8X2-SC	45	49	8	2	7.81
MWRB-49X25X2	45	49	25	2	13.35
MWRB-50X12.6X3.3	43.4	50	12.6	3.3	13.50
MWRB-50X5X2.5	45	50	5	2.5	6.38
MWRB-50X6X2.5-SC	45	50	6	2.5	6.27
MWRB-50X6.8X2.5	45	50	6.8	2.5	11.20
MWRB-50X9X2.5	45	50	9	2.5	8.42
MWRB-50X9.5X2.5-SC	45	50	9.5	2.5	9.60
MWRB-50X9.7X2.5	45	50	9.7	2.5	15.41

Part Number	A Nom. ID	B Nom. OD	C Nom. Ht	Nom. Cross Section	List Price
MWRB-50X9.7X2.5-SC	45	50	9.7	2.5	15.41
MWRB-50X10X2.5	45	50	10	2.5	13.22
MWRB-50X15X2.5	45	50	15	2.5	14.68
MWRB-50X20X2.5	45	50	20	2.5	18.11
MWRB-50X28X2.5-SC	45	50	28	2.5	4.97
MWRB-50X30X2.5-SC	45	50	30	2.5	15.34
MWRB-50X9.7X2-SC	46	50	9.7	2	7.81
MWRB-50X10.2X2-SC	46	50	10.2	2	9.28
MWRB-50X14.5X2	46	50	14.5	2	14.46
MWRB-50X10X1.9-SC	46.2	50	10	1.9	13.10
MWRB-51X22.5X3	45	51	22.5	3	25.69
MWRB-55X15.5X3	49	55	15.5	3	25.69
MWRB-55X5.4X2.5-SC	50	55	5.4	2.5	6.89
MWRB-55X5.6X2.5-SC	50	55	5.6	2.5	5.29
MWRB-55X7.9X2.5	50	55	7.9	2.5	9.01
MWRB-55X9.5X2.5-SC	50	55	9.5	2.5	12.83
MWRB-55X9.7X2.5	50	55	9.7	2.5	10.48
MWRB-55X14.7X2.5-SC	50	55	14.7	2.5	17.32
MWRB-55X15X2.5	50	55	15	2.5	18.11
MWRB-55X16X2.5-SC	50	55	16	2.5	3.20
MWRB-55X20X2.5	50	55	20	2.5	20.50
MWRB-55X29.5X2.5-SC	50	55	29.5	2.5	14.81
MWRB-55X30X2.5-SC	50	55	30	2.5	16.90
MWRB-55X32X2.5-SC	50	55	32	2.5	19.52
MWRB-55X35X2.5-SC	50	55	35	2.5	22.94
MWRB-55X10X2-SC	51	55	10	2	8.58
MWRB-56X25X3	50	56	25	3	20.75
MWRB-56X29.5X3	50	56	29.5	3	19.52
MWRB-58X30X4-SC	50	58	30	4	23.23
MWRB-60X7.8X3-SC	54	60	7.8	3	10.60
MWRB-60X12.7X3	54	60	12.7	3	17.51
MWRB-60X12.3X2.85-SC	54.3	60	12.3	2.85	8.33
MWRB-60X7X2.5-SC	55	60	7	2.5	7.81
MWRB-60X8X2.5-SC	55	60	8	2.5	9.24
MWRB-60X9.5X2.5	55	60	9.5	2.5	11.98
MWRB-60X9.7X2.5-SC	55	60	9.7	2.5	9.38
MWRB-60X10X2.5	55	60	10	2.5	14.68
MWRB-60X14.5X2.5-SC	55	60	14.5	2.5	16.33

WEAR RINGS

STYLE MWRB WEAR RINGS

WEAR RINGS

Part Number	A Nom. ID	B Nom. OD	C Nom. Ht	Nom. Cross Section	List Price
MWRB-60X15X2.5-SC	55	60	15	2.5	10.92
MWRB-60X18X2.5-SC	55	60	18	2.5	9.42
MWRB-60X20X2.5	55	60	20	2.5	17.09
MWRB-60X10X2-SC	56	60	10	2	8.58
MWRB-62X25X3	56	62	25	3	21.51
MWRB-63X15.7X3-SC	57	63	15.7	3	24.81
MWRB-63X4X2.5-SC	58	63	4	2.5	4.72
MWRB-63X5.3X2.5-SC	58	63	5.3	2.5	9.08
MWRB-63X5.6X2.5-SC	58	63	5.6	2.5	7.01
MWRB-63X7X2.5-SC	58	63	7	2.5	25.89
MWRB-63X9.7X2.5	58	63	9.7	2.5	13.88
MWRB-63X15X2.5	58	63	15	2.5	27.23
MWRB-63.2X10X2.5-SC	58.2	63.2	9.84	2.5	16.15
MWRB-65X15.5X3	59	65	15.5	3	22.12
MWRB-65X10X2.5	60	65	10	2.5	10.15
MWRB-65X15X2.5-SC	60	65	15	2.5	11.43
MWRB-65X18X2.5-SC	60	65	18	2.5	4.32
MWRB-65X19.7X2.5	60	65	19.7	2.5	20.31
MWRB-65X20.1X2.5-SC	60	65	20.1	2.5	4.81
MWRB-65X24.9X2.5-SC	60	65	24.9	2.5	24.42
MWRB-65X25X2.5	60	65	25	2.5	25.73
MWRB-65X39.35X2.5-SC	60	65	39.35	2.5	12.47
MWRB-66X29.7X3	60	66	29.7	3	23.02
MWRB-68X9.4X2.5-SC	63	68	9.4	2.5	15.02
MWRB-68X9.7X2.5	63	68	9.7	2.5	16.65
MWRB-68X25X2.5-SC	63	68	25	2.5	16.58
MWRB-68X39.4X2.5-SC	63	68	39.4	2.5	15.78
MWRB-69X30X3-SC	63	69	30	3	11.96
MWRB-69X31.5X3-SC	63	69	31.5	3	18.42
MWRB-69X35X2-SC	65	69	35	2	18.16
MWRB-70X12.4X3	64	70	12.4	3	11.73
MWRB-70X15X3-SC	64	70	15	3	18.54
MWRB-70X15.5X3	64	70	15.5	3	18.54
MWRB-70X19.5X3	64	70	19.5	3	27.83
MWRB-70X12.3X2.85-SC	64.3	70	12.3	2.85	8.72
MWRB-70X5.3X2.5-SC	65	70	5.3	2.5	7.29
MWRB-70X6.8X2.5-SC	65	70	6.8	2.5	7.46
MWRB-70X9.5X2.5-SC	65	70	9.5	2.5	9.75
MWRB-70X10X2.5	65	70	10	2.5	8.58
MWRB-70X12X2.5	65	70	12	2.5	11.73
MWRB-70X14.8X2.5	65	70	14.8	2.5	10.01
MWRB-70X20X2.5	65	70	20	2.5	21.77
MWRB-70X30X2.5	65	70	30	2.5	27.83
MWRB-70X35X2.5-SC	65	70	35	2.5	18.21
MWRB-70X10X2-SC	66	70	10	2	11.32
MWRB-75X10X3	69	75	10	3	4.04
MWRB-75X15X3-SC	69	75	14.9	3	13.50
MWRB-75X19.6X3-SC	69	75	19.6	3	22.94
MWRB-75X25X3-SC	69	75	24.9	3	26.70
MWRB-75X7X2.5-SC	70	75	7	2.5	13.00
MWRB-75X9.5X2.5-SC	70	75	9.5	2.5	9.67
MWRB-75X10X2.5	70	75	10	2.5	17.63
MWRB-75X14.5X2.5	70	75	14.5	2.5	30.56
MWRB-75X18X2.5-SC	70	75	18	2.5	5.05
MWRB-75X20X2.5-SC	70	75	20	2.5	22.01
MWRB-75X25X2.5-SC	70	75	25	2.5	17.42
MWRB-75X30X2.5	70	75	30	2.5	30.53

Part Number	A Nom. ID	B Nom. OD	C Nom. Ht	Nom. Cross Section	List Price
MWRB-75X40X2.5-SC	70	75	40	2.5	27.57
MWRB-75X45X2.5-SC	70	75	45	2.5	28.87
MWRB-75X50X2.5-SC	70	75	50	2.5	31.22
MWRB-75X56X2.5-SC	70	75	56	2.5	35.15
MWRB-76X31.5X3.12-SC	69.76	76	31.5	3.12	28.66
MWRB-76X35X3-SC	70	76	35	3	21.31
MWRB-76X39.7X3	70	76	39.7	3	15.45
MWRB-80X10X3-SC	74	80	10	3	5.58
MWRB-80X15X3-SC	74	80	15	3	13.78
MWRB-80X15.5X3	74	80	15.5	3	21.51
MWRB-80X15.7X3-SC	74	80	15.7	3	8.44
MWRB-80X19.5X3	74	80	19.5	3	24.92
MWRB-80X24.6X3-SC	74	80	24.6	3	33.71
MWRB-80X5.4X2.5-SC	75	80	5.4	2.5	9.11
MWRB-80X9.7X2.5-SC	75	80	9.7	2.5	9.61
MWRB-80X10X2.5	75	80	10	2.5	9.75
MWRB-80X14.5X2.5	75	80	14.5	2.5	21.61
MWRB-80X15X2.5-SC	75	80	15	2.5	12.72
MWRB-80X20X2.5	75	80	20	2.5	23.66
MWRB-80X20X2.5-SC	75	80	20	2.5	33.71
MWRB-80X32X2.5-SC	75	80	32	2.5	35.67
MWRB-80X50X2.5-SC	75	80	50	2.5	44.44
MWRB-80X10X2-SC	76	80	10	2	9.38
MWRB-85X15X4-SC	77	85	15	4	12.03
MWRB-85X10X3	79	85	10	3	4.63
MWRB-85X12.5X3-SC	79	85	12.5	3	12.47
MWRB-85X20X3-SC	79	85	20	3	15.16
MWRB-85X25X3-SC	79	85	25	3	33.71
MWRB-85X5.5X2.5	80	85	5.5	2.5	6.10
MWRB-85X9.7X2.5	80	85	9.7	2.5	17.51
MWRB-85X9.7X2.5-SC	80	85	9.7	2.5	17.51
MWRB-85X18X2.5-SC	80	85	18	2.5	5.67
MWRB-85X19.7X2.5	80	85	19.7	2.5	25.73
MWRB-85X25X2.5-SC	80	85	25	2.5	33.71
MWRB-85X29.7X2.5-SC	80	85	29.7	2.5	38.51
MWRB-85X35X2.5	80	85	35	2.5	41.04
MWRB-85X40X2.5-SC	80	85	40	2.5	47.84
MWRB-85X50X2.5-SC	80	85	50	2.5	50.85
MWRB-86X40X3	80	86	40	3	49.82
MWRB-86X49.5X3	80	86	49.5	3	31.89
MWRB-90X6.40X2.95		90	6.4	2.95	205.85
MWRB-90X12.5X4.5	81	90	12.5	4.5	43.49
MWRB-90X6X4-SC	82	90	6	4	12.23
MWRB-90X15X4-SC	82	90	15	4	17.45
MWRB-90X24.4X3.3-SC	83.3	90	24.4	3.35	22.53
MWRB-90X12.5X3.3-SC	83.4	90	12.5	3.3	14.13
MWRB-90X25X3.2-SC	83.6	90	25	3.2	36.05
MWRB-90X10X3	84	90	10	3	21.31
MWRB-90X12.5X3	84	90	12.5	3	23.45
MWRB-90X20X3-SC	84	90	20	3	17.07
MWRB-90X24.6X3-SC	84	90	24.6	3	46.19
MWRB-90X25X3	84	90	25	3	34.20
MWRB-90X5X2.5	85	90	5	2.5	9.78
MWRB-90X8X2.5-SC	85	90	8	2.5	17.67
MWRB-90X9.7X2.5-SC	85	90	9.7	2.5	6.89
MWRB-90X15X2.5-SC	85	90	15	2.5	15.34
MWRB-90X29.5X2.5-SC	85	90	29.5	2.5	16.24

STYLE MWRB WEAR RINGS

Part Number	A Nom. ID	B Nom. OD	C Nom. Ht	Nom. Cross Section	List Price
MWRBG-90X29.9X2.5-SC	85	90	29.9	2.5	30.37
MWRB-90X15X2-SC	86	90	15	2	19.75
MWRB-95X9.7X4-SC	87	95	9.7	4	17.67
MWRB-95X14.8X4-SC	87	95	14.8	4	31.75
MWRB-95X12.5X3-SC	89	95	12.5	3	9.28
MWRB-95X20X3-SC	89	95	20	3	10.12
MWRB-95X25X3	89	95	25	3	12.26
MWRB-95X6X2.5	90	95	6	2.5	16.86
MWRB-95X7.9X2.5	90	95	7.9	2.5	18.32
MWRB-95X9.5X2.5	90	95	9.5	2.5	19.77
MWRB-95X14.8X2.5	90	95	15	2.5	25.69
MWRB-95X15X2.5	90	95	15	2.5	25.69
MWRB-95X10X2-SC	91	95	10	2	11.73
MWRB-96X25X3-SC	90	96	25	3	10.76
MWRB-96X29X3-SC	90	96	29	3	32.61
MWRB-100X12.5X4.5-SC	91	100	12.5	4.5	20.04
MWRB-100X5.9X4-SC	92	100	5.9	4	25.55
MWRB-100X17X3.4-SC	93.2	100	17	3.4	7.44
MWRB-100X25X3.2-SC	93.6	100	25	3.2	40.18
MWRB-100X40X3.12	93.76	100	40	3.12	66.88
MWRB-100X9.2X3	94	100	9.2	3	10.15
MWRB-100X10X3-SC	94	100	10	3	8.61
MWRB-100X12.5X3	94	100	12.5	3	22.01
MWRB-100X14.8X3	94	100	14.8	3	26.17
MWRB-100X20X3-SC	94	100	20	3	20.79
MWRB-100X25X3	94	100	25	3	36.65
MWRB-100X25X3-SC	94	100	25	3	36.65
MWRB-100X30X3	94	100	30	3	41.04
MWRB-100X30X3-SC	94	100	30	3	16.93
MWRB-100X12.3X2.85-SC	94.3	100	12.3	2.85	12.44
MWRB-100X5.5X2.5-SC	95	100	5.5	2.5	4.74
MWRB-100X6X2.5-SC	95	100	6	2.5	18.79
MWRB-100X7.9X2.5	95	100	7.9	2.5	18.85
MWRB-100X9.5X2.5	95	100	9.5	2.5	20.53
MWRB-100X9.6X2.5	95	100	9.6	2.5	18.53
MWRB-100X12.8X2.5	95	100	12.8	2.5	38.22
MWRB-100X14.7X2.5-SC	95	100	14.7	2.5	25.27
MWRB-100X14.8X2.5	95	100	14.8	2.5	25.16
MWRB-100X25X2.5-SC	95	100	25	2.5	28.52
MWRB-100X29.4X2.5-SC	95	100	29.4	2.5	52.21
MWRB-100X30X2.5-SC	95	100	30	2.5	37.90
MWRB-101X39.5X3	95	101	39.5	3	21.02
MWRBG-101.6X25X2.5-SC	96.6	101.6	25	2.5	32.94
MWRB-104X25X4	96	104	25	4	30.87
MWRB-105X24.5X4	97	105	24.5	4	30.87
MWRB-105X9.7X3-SC	99	105	9.7	3	14.57
MWRB-105X15X3-SC	99	105	15	3	28.56
MWRB-105X24.5X3	99	105	24.5	3	38.32
MWRB-105X6X2.5	100	105	6	2.5	17.81
MWRB-105X7.9X2.5	100	105	7.9	2.5	20.04
MWRB-105X9.5X2.5-SC	100	105	9.4	2.5	23.12
MWRB-105X9.5X2.5	100	105	9.5	2.5	21.51
MWRB-105X14.8X2.5	100	105	14.8	2.5	25.87
MWRB-105X15X2.5-SC	100	105	15	2.5	28.39
MWRB-105X60.1X2.5-SC	100	105	60.1	2.5	62.26
MWRB-108X18X4-SC	100	108	18	4	9.56
MWRB-110X15X5-SC	100	110	15	5	18.72

Part Number	A Nom. ID	B Nom. OD	C Nom. Ht	Nom. Cross Section	List Price
MWRB-110X5.9X4-SC	102	110	5.9	4	25.55
MWRB-110X15X4	102	110	15	4	36.69
MWRB-110X14X3.5-SC	103	110	14	3.5	7.14
MWRB-110X10X3-SC	104	110	10	3	13.00
MWRB-110X12.5X3	104	110	12.5	3	22.17
MWRB-110X15X3-SC	104	110	15	3	29.49
MWRB-110X25X3	104	110	25	3	39.60
MWRB-110X30X3	104	110	30	3	44.00
MWRB-110X6X2.5	105	110	6	2.5	22.01
MWRB-110X7.9X2.5	105	110	7.9	2.5	20.04
MWRB-110X9.5X2.5	105	110	9.5	2.5	21.51
MWRB-110X9.8X2.5-SC	105	110	9.8	2.5	18.14
MWRB-110X14.8X2.5	105	110	14.8	2.5	26.35
MWRB-110X15X2.5-SC	105	110	15	2.5	17.67
MWRB-110X25X2.5-SC	105	110	25	2.5	28.74
MWRB-113X20X4-SC	105	113	20	4	36.65
MWRB-115X10X4.5-SC	106	115	10	4.5	29.90
MWRB-115X15X4.5	106	115	15	4.5	32.27
MWRB-115X6X4	107	115	6	4	13.04
MWRB-115X15X4-SC	107	115	15	4	20.57
MWRB-115X24.7X4	107	115	24.7	4	31.86
MWRB-115X9.7X3-SC	109	115	9.7	3	18.99
MWRB-115X15X3-SC	109	115	15	3	29.00
MWRB-115X7.9X2.5	110	115	7.9	2.5	20.31
MWRB-115X9.5X2.5	110	115	9.5	2.5	22.01
MWRB-115X14.8X2.5	110	115	14.8	2.5	27.34
MWRB-115X19.7X2.5-SC	110	115	19.7	2.5	23.93
MWRB-115X20X2.5-SC	110	115	20	2.5	24.29
MWRB-115X29.7X2.5-SC	110	115	29.7	2.5	32.45
MWRB-115X30X2.5-SC	110	115	30	2.5	30.14
MWRB-118X30X4-SC	110	118	30	4	43.30
MWRB-120X15X5-SC	110	120	15	5	23.66
MWRB-120X15X4.5	111	120	15	4.5	58.12
MWRB-120X5.9X4-SC	112	120	5.9	4	27.34
MWRB-120X14X3.5-SC	113	120	14	3.5	7.92
MWRB-120X14.8X3.5	113	120	14.8	3.5	28.38
MWRB-120X30X3.5	113	120	30	3.5	81.98
MWRB-120X9.7X3-SC	114	120	9.7	3	15.34
MWRB-120X12.4X3	114	120	12.4	3	18.05
MWRB-120X14.8X3	114	120	14.8	3	28.38
MWRB-120X20X3-SC	114	120	20	3	26.53
MWRB-120X25X3	114	120	25	3	38.13
MWRB-120X30X3	114	120	30	3	46.67
MWRB-120X12.3X2.85-SC	114.3	120	12.3	2.85	13.78
MWRB-120X7.9X2.5	115	120	7.9	2.5	21.02
MWRB-120X9.5X2.5	115	120	9.5	2.5	23.45
MWRB-120X14.8X2.5	115	120	14.8	2.5	28.09
MWRB-120X25X2.5-SC	115	120	25	2.5	27.32
MWRB-125X15X5-SC	115	125	15	5	23.66
MWRB-125X14.8X3.5	118	125	14.8	3.5	35.95
MWRB-125X16.8X3.5	118	125	16.8	3.5	14.53
MWRB-125X48X3.2-SC	118.6	125	48	3.2	54.73
MWRB-125X9.7X3-SC	119	125	9.7	3	16.15
MWRB-125X9.9X3-SC	119	125	9.9	3	23.45
MWRB-125X14.8X3	119	125	14.8	3	35.95
MWRB-125X19.8X3	119	125	19.8	3	23.73
MWRB-125X7.9X2.5	120	125	7.9	2.5	22.01

STYLE MWRB WEAR RINGS

WEAR RINGS

Part Number	A Nom. ID	B Nom. OD	C Nom. Ht	Nom. Cross Section	List Price
MWRB-125X9.5X2.5	120	125	9.5	2.5	23.45
MWRB-125X14.8X2.5	120	125	14.8	2.5	27.34
MWRB-125X25X2.5-SC	120	125	25	2.5	27.32
MWRB-125X20X2-SC	121	125	20	2	26.45
MWRB-127X9.5X3	121	127	9.5	3	21.61
MWRB-128X30X4-SC	120	128	30	4	20.32
MWRB-128X34.8X4-SC	120	128	34.8	4	21.12
MWRB-130X15X5	120	130	15	5	36.65
MWRB-130X20X4	122	130	20	4	62.71
MWRB-130X10X3.5-SC	123	130	10	3.5	41.62
MWRB-130X14.8X3.5	123	130	14.8	3.5	35.18
MWRB-130X24X3.5-SC	123	130	24	3.5	13.50
MWRB-130X30X3.5	123	130	30	3.5	56.44
MWRB-130X30X3	124	130	30	3	54.97
MWRB-130X7.9X2.5	125	130	7.9	2.5	25.87
MWRB-130X9.5X2.5	125	130	9.5	2.5	29.09
MWRB-130X14.8X2.5	125	130	14.8	2.5	32.44
MWRB-130X15X2.5-SC	125	130	15	2.5	21.34
MWRB-130X25X2.5-SC	125	130	25	2.5	30.42
MWRB-135X15X5	125	135	15	5	51.95
MWRB-135X9.8X3.5-SC	128	135	9.8	3.5	32.27
MWRB-135X14.8X3.5	128	135	14.8	3.5	44.36
MWRB-135X7.9X2.5	130	135	7.9	2.5	24.71
MWRB-135X9.5X2.5	130	135	9.5	2.5	31.85
MWRB-135X14.8X2.5	130	135	14.8	2.5	33.22
MWRB-140X17.5X6	128	140	17.5	6	48.88
MWRB-140X20X4	132	140	20	4	70.58
MWRB-140X10X3.5-SC	133	140	10	3.5	29.89
MWRB-140X14.8X3.5	133	140	14.8	3.5	33.71
MWRB-140X20X3.5	133	140	20	3.5	44.44
MWRB-140X25X3.5-SC	133	140	25	3.5	15.34
MWRB-140X35X3.5	133	140	35	3.5	71.09
MWRB-140X40X3.5	133	140	40	3.5	77.18
MWRB-140X56X3.2-SC	133.6	140	56	3.2	90.39
MWRB-140X12X3-SC	134	140	12	3	30.80
MWRB-140X30X3-SC	134	140	30	3	44.86
MWRB-140X50X3-SC	134	140	50	3	79.15
MWRB-140X7.9X2.5	135	140	7.9	2.5	48.11
MWRBG-140X9.4X2.5-SC	135	140	9.4	2.5	13.71
MWRB-140X9.5X2.5	135	140	9.5	2.5	28.38
MWRB-140X9.5X2.5-SC	135	140	9.5	2.5	28.38
MWRB-140X12.3X2.5-SC	135	140	12.3	2.5	20.85
MWRB-140X14.8X2.5	135	140	14.8	2.5	33.71
MWRB-140X20X2.5-SC	135	140	20	2.5	48.66
MWRBG-140X30X2.5-SC	135	140	30	2.5	34.00
MWRB-145X9.5X3.5	138	145	9.5	3.5	30.04
MWRB-145X14.8X3.5	138	145	14.8	3.5	37.38
MWRB-145X20X3.5-SC	138	145	20	3.5	39.83
MWRB-145X7.9X2.5	140	145	7.9	2.5	30.59
MWRB-145X9.5X2.5	140	145	9.5	2.5	28.38
MWRB-145X14.8X2.5	140	145	14.8	2.5	34.66
MWRB-145X25X2.5-SC	140	145	25	2.5	32.51
MWRB-150X7.8X4-SC	142	150	7.8	4	28.16
MWRBG-150X9.5X4-SC	142	150	9.5	4	19.01
MWRBG-150X25X4-SC	142	150	25	4	35.77
MWRB-150X50X4-SC	142	150	49.9	4	53.15
MWRB-150X14.8X3.5	143	150	14.8	3.5	38.61

Part Number	A Nom. ID	B Nom. OD	C Nom. Ht	Nom. Cross Section	List Price
MWRB-150X20X3.5-SC	143	150	20	3.5	47.51
MWRB-150X22X3.5-SC	143	150	22	3.5	52.48
MWRB-150X25X3.5-SC	143	150	25	3.5	21.89
MWRB-150X30X3.5-SC	143	150	30	3.5	40.83
MWRB-150X35X3.5	143	150	35	3.5	74.73
MWRB-150X40X3.5	143	150	40	3.5	74.98
MWRB-150X51X3.2-SC	143.6	150	51	3.2	91.52
MWRB-150X20X3-SC	144	150	20	3	44.00
MWRB-150X42X3-SC	144	150	42	3	74.98
MWRB-150X7.9X2.5	145	150	7.9	2.5	26.35
MWRB-150X9.5X2.5	145	150	9.5	2.5	28.59
MWRB-150X12.5X2.5-SC	145	150	12.5	2.5	28.81
MWRB-150X14.8X2.5	145	150	14.8	2.5	35.66
MWRB-150X20X2.5-SC	145	150	20	2.5	27.83
MWRB-155X9.5X2.5	150	155	9.5	2.5	28.83
MWRB-155X14.8X2.5	150	155	14.8	2.5	36.15
MWRB-155X85X2.5-SC	150	155	85	2.5	246.15
MWRB-160X20X6	148	160	20	6	60.12
MWRB-160X9.1X4	152	160	9.1	4	17.97
MWRBG-160X9.5X4-SC	152	160	9.5	4	19.70
MWRBG-160X25X4-SC	152	160	25	4	41.71
MWRB-160X14.8X3.5	153	160	14.8	3.5	49.82
MWRB-160X20X3.5	153	160	20	3.5	50.34
MWRB-160X25X3.5-SC	153	160	25	3.5	17.65
MWRB-160X30X3.5	153	160	30	3.5	70.64
MWRB-160X40X3.5	153	160	40	3.5	90.88
MWRB-160X19.3X3	154	160	19.3	3	40.25
MWRB-160X19.35X3-SC	154	160	19.35	3	40.25
MWRB-160X20X3-SC	154	160	20	3	49.54
MWRB-160X35X3-SC	154	160	35	3	61.60
MWRB-160X50X3-SC	154	160	50	3	90.88
MWRB-160X7.9X2.5	155	160	7.9	2.5	102.08
MWRB-160X9.5X2.5	155	160	9.5	2.5	30.98
MWRB-160X12.5X2.5-SC	155	160	12.5	2.5	22.38
MWRB-160X14.35X2.5-SC	155	160	14.35	2.5	27.95
MWRB-160X14.8X2.5	155	160	14.8	2.5	44.12
MWRB-160X24.5X2.5	155	160	24.5	2.5	34.98
MWRB-160X25X2.5	155	160	25	2.5	54.46
MWRB-160X35X2.5	155	160	35	2.5	54.27
MWRB-165X15X4	157	165	15	4	44.00
MWRB-165X20X4	157	165	20	4	53.75
MWRB-165X25.1X4-SC	157	165	25.1	4	20.18
MWRB-165X14.8X3.5	158	165	14.8	3.5	42.99
MWRB-165X24.5X3.2-SC	158.6	165	24.5	3.2	89.60
MWRB-165X9.7X3-SC	159	165	9.7	3	23.66
MWRB-165X30X3-SC	159	165	30	3	65.10
MWRB-165X9.5X2.5	160	165	9.5	2.5	31.33
MWRB-165X14.8X2.5	160	165	14.8	2.5	39.10
MWRB-170X9.2X4-SC	162	170	9.2	4	15.34
MWRBG-170X9.5X4-SC	162	170	9.5	4	26.11
MWRB-170X14.8X4-SC	162	170	14.8	4	57.16
MWRB-170X25X4-SC	162	170	25	4	63.77
MWRB-170X14.8X3.5	163	170	14.8	3.5	54.42
MWRB-170X20X3.5-SC	163	170	20	3.5	58.56
MWRB-170X30X3.5-SC	163	170	30	3.5	22.52
MWRB-170X40X3.5	163	170	40	3.5	92.85
MWRB-170X9.5X3-SC	164	170	9.5	3	34.20

STYLE MWRB WEAR RINGS

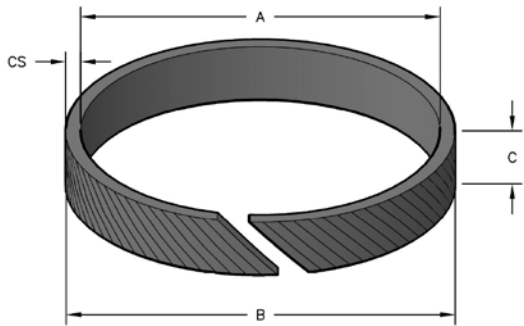
WEAR RINGS

Part Number	A Nom. ID	B Nom. OD	C Nom. Ht	Nom. Cross Section	List Price
MWRB-170X9.5X2.5	165	170	9.5	2.5	31.77
MWRB-170X14.8X2.5	165	170	14.8	2.5	39.60
MWRB-175X25X4-SC	167	175	25	4	58.82
MWRB-175X40X4	167	175	40	4	93.25
MWRB-175X25X2.5-SC	170	175	25	2.5	38.50
MWRB-180X22.5X6	168	180	22.5	6	77.71
MWRB-180X22X4	172	180	22	4	66.19
MWRB-180X40X4	172	180	40	4	105.29
MWRB-180X45X4	172	180	45	4	115.10
MWRB-180X55X4	172	180	55	4	146.81
MWRB-180X80X4-SC	172	180	79.8	4	100.24
MWRB-180X14.8X3.5	173	180	14.8	3.5	57.05
MWRB-180X25X3.5-SC	173	180	25	3.5	19.82
MWRB-180X14.7X3-SC	174	180	14.7	3	50.01
MWRB-180X39.5X3	174	180	39.5	3	56.63
MWRB-180X49.5X3	174	180	49.5	3	42.84
MWRB-180X7.9X2.5	175	180	7.9	2.5	35.95
MWRB-180X9.5X2.5	175	180	9.5	2.5	35.95
MWRB-180X14.8X2.5	175	180	14.8	2.5	44.00
MWRB-180X25X2.5	175	180	25	2.5	62.55
MWRB-185X20X6-SC	173	185	20	6	50.70
MWRB-185X22.5X6	173	185	22.5	6	80.81
MWRB-185X24.9X3.9-SC	177	185	24.8	4	31.64
MWRB-190X22.5X4-SC	182	190	22.5	4	45.76
MWRB-190X25X4-SC	182	190	25	4	70.23
MWRB-190X25X3.5-SC	183	190	25	3.5	20.74
MWRB-190X30X3.5-SC	183	190	30	3.5	25.18
MWRB-190X14.8X3-SC	184	190	14.8	3	61.60
MWRB-190X15X2.5	185	190	15	2.5	45.66
MWRB-200X9X4-SC	192	200	9	4	34.58
MWRB-200X15X4-SC	192	200	15	4	35.38
MWRB-200X22X4	192	200	22	4	72.32
MWRB-200X45X4	192	200	45	4	134.61
MWRB-200X25X3.5-SC	193	200	25	3.5	87.06
MWRB-200X15X3-SC	194	200	14.9	3	29.62
MWRB-200X19.4X3-SC	194	200	19.4	3	37.85
MWRB-200X30X3-SC	194	200	29.9	3	39.85
MWRB-200X9.7X2.5-SC	195	200	9.7	2.5	25.23
MWRB-200X25X2.5	195	200	25	2.5	78.42
MWRB-205X120X2.5-SC	200	205	120	2.5	280.84
MWRB-210X24X4.5-SC	201	210	24	4.5	48.35
MWRB-210X9.2X4-SC	202	210	9	4	18.00
MWRB-215X19.5X3-SC	209	215	19.5	3	33.99
MWRB-220X24X4.5-SC	211	220	23.95	4.5	73.26
MWRB-220X33.9X4.5-SC	211	220	33.9	4.5	52.70
MWRB-225X25X4	217	225	25	4	50.00
MWRB-225X45X4	217	225	45	4	248.47
MWRB-225X50X4	217	225	50	4	123.78
MWRB-225X19.4X3-SC	219	225	19.4	3	35.61
MWRB-230X25X4.5-SC	221	230	25	4.5	30.02
MWRB-230X28X4.5-SC	221	230	28	4.5	160.55
MWRBG-230X24.5X3-SC	224	230	24.4	3	45.59
MWRB-240X34X4.5-SC	231	240	34	4.5	55.71
MWRBG-240X24.4X3-SC	234	240	24.4	3	46.75
MWRB-250X27.5X6	238	250	27.5	6	134.86
MWRB-250X34X4.5-SC	241	250	34	4.5	41.97
MWRB-250X50X4.5-SC	241	250	50	4.5	65.31

Part Number	A Nom. ID	B Nom. OD	C Nom. Ht	Nom. Cross Section	List Price
MWRB-250X9.7X4-SC	242	250	9.7	4	102.97
MWRB-250X25X2.5	245	250	25	2.5	77.92
MWRB-260X34X4.5-SC	251	260	34	4.5	43.70
MWRB-260X50X4.5-SC	251	260	50	4.5	67.94
MWRB-260X65X4.5-SC	251	260	65	4.5	87.43
MWRBG-260X29.3X3-SC	254	260	29.3	3	59.64
MWRB-280X30X6	268	280	30	6	201.82
MWRB-300X25X2.5	295	300	25	2.5	97.52
MWRB-305X25X2.5-K-SC	300	305	25	2.5	369.70
MWRB-400X25X2.5	395	400	25	2.5	154.45

STYLE MWRE WEAR RINGS

The style MWRE wear ring is molded from glass fiber reinforced polyetherimide, a high strength and heat resistant material. The OD surface features diagonal grooves which serve to retain fluid for added lubrication. These wear rings are commonly used within Caterpillar, John Deere, and Hitachi cylinders.



HERCULES PART NUMBERS
MWRE - 55 X 5.9 X 2.5 - SC
Type of Seal Outside Diameter Height Cross Section

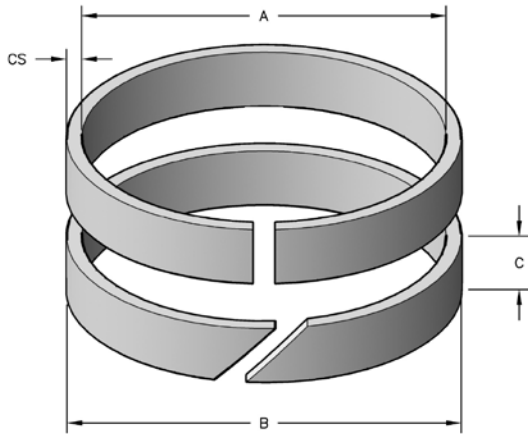
SEAL INFORMATION	
MATERIAL	POLYETHERIMIDE GLASS FIBER
TEMPERATURE RANGE	-60° TO +335° F
SPEED	3 FT/SEC
TENSILE STRENGTH	18,100 PSI

Part Number	A Nom. ID	B Nom. OD	C Nom. Ht	Nom. Cross Section	List Price
MWRE-55X5.9X2.5-SC	50	55	5.9	2.5	\$10.06
MWRE-60X5.9X2.5-SC	55	60	5.9	2.5	10.06
MWRE-65X5.9X2.5-SC	60	65	5.9	2.5	10.29
MWRE-70X5.9X2.5-SC	65	70	5.9	2.5	10.29
MWRE-75X5.9X2.5-SC	70	75	5.9	2.5	10.51
MWRE-80X5.9X2.5-SC	75	80	5.9	2.5	10.51
MWRE-85X5.9X2.5-SC	80	85	5.9	2.5	10.75
MWRE-90X5.9X2.5-SC	85	90	5.9	2.5	10.51
MWRE-95X5.9X2.5-SC	90	95	5.9	2.5	10.51
MWRE-100X5.9X2.5-SC	95	100	5.9	2.5	10.97
MWRE-100X14.8X2.5-SC	95	100	14.8	2.5	14.86
MWRE-105X5.9X2.5-SC	100	105	5.9	2.5	11.20
MWRE-110X7.9X2.5-SC	105	110	7.9	2.5	11.43
MWRE-115X7.9X2.5-SC	110	115	7.9	2.5	11.43
MWRE-120X7.9X2.5-SC	115	120	7.9	2.5	11.67
MWRE-125X7.9X2.5-SC	120	125	7.9	2.5	11.67
MWRE-130X7.9X2.5-SC	125	130	7.9	2.5	12.01
MWRE-135X7.9X2.5-SC	130	135	7.9	2.5	12.01
MWRE-140X9.5X2.5-SC	135	140	9.5	2.5	15.99
MWRE-145X9.5X2.5-SC	140	145	9.5	2.5	17.14
MWRE-150X9.5X2.5-SC	145	150	9.5	2.5	18.28

WEAR RINGS

STYLE MWRF WEAR RINGS

The MWRF is fabricated from a high load synthetic reinforced polyester thermoset resin composite bearing material. This wear ring features excellent mechanical strength and a low coefficient of friction.



HERCULES PART NUMBERS

MWRF - 35 X 9.5 X 2.5 -SC
 Type of Seal Outside Diameter Width Cross Section

Suffix:
 SC = Scarf Cut Ring.

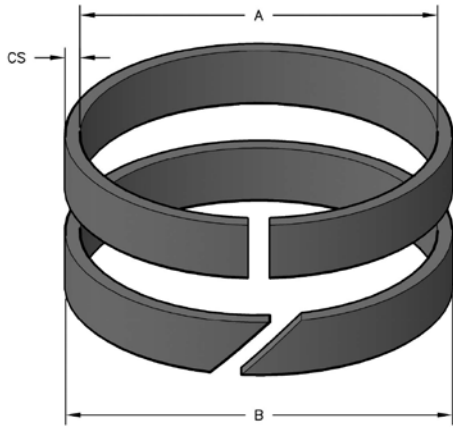
SEAL INFORMATION

MATERIAL	SYNTHETIC FABRIC THERMOSET RESIN
TEMPERATURE RANGE	-40° TO +309° F
COMPRESSIVE STRENGTH	45,000 PSI

Part Number	A Nom. ID	B Nom. OD	C Nom. Ht	Nom. Cross Section	List Price
MWRF-35X9.5X2.5-SC	30	35	9.5	2.5	\$6.06
MWRF-37X9.5X2.5-SC	32	37	9.5	2.5	7.08
MWRF-40X9.4X2.5-SC	35	40	9.4	2.5	6.26
MWRF-41X25X2.5-SC	36	41	25	2.5	12.00
MWRF-45X24.5X2.5-SC	40	45	24.5	2.5	12.91
MWRF-49X24.3X2-SC	45	49	24.3	2	41.30
MWRF-50X9.5X3-SC	44	50	9.5	3	19.44
MWRF-50X5.3X2.5-SC	45	50	5.3	2.5	6.06
MWRF-50X25X2.5-SC	45	50	25	2.5	13.97
MWRF-55X9.5X2.5-SC	50	55	9.5	2.5	19.55
MWRF-55X24.5X2.5-SC	50	55	24.5	2.5	15.09
MWRF-60X5.3X2.5-SC	55	60	5.3	2.5	6.73
MWRF-60X9.4X2.5-SC	55	60	9.4	2.5	42.03
MWRF-63X9.5X2.5-SC	58	63	9.5	2.5	20.00
MWRF-65X9.5X2.5-SC	60	65	9.3	2.5	20.32
MWRF-75X9.5X2.5-SC	70	75	9.5	2.5	26.76
MWRF-90X24.5X4-SC	82	90	24.5	4	31.10
MWRF-100X5.5X2.5	95	100	5.5	2.5	27.54
MWRF-100X15X2-SC	96	100	14.9	2	48.94
MWRF-115X14.75X2.5-SC	110	115	14.75	2.5	15.79
MWRF-115X24.4X2.5-SC	110	115	24.4	2.5	25.01
MWRF-260X24.5X2.5	255	260	24.5	2.5	227.93

STYLE MWRPEG WEAR RINGS

Fabricated from fine woven fabric and graphite-filled polyester resins, this wear ring is strong yet light-weight with an excellent wear rate.



HERCULES PART NUMBERS

MWRPEG - 190 X 15 X 3 - SC

Type of Seal Outside Diameter Width Cross Section

SEAL INFORMATION

MATERIAL	GRAPHITE-FILLED POLYESTER RESIN AND FABRIC
TEMPERATURE RANGE	-320 TO 260 °F
SPEED	3 FT/SEC
COMPRESSIVE STRENGTH	50,000 PSI
TENSILE STRENGTH	7900 PSI

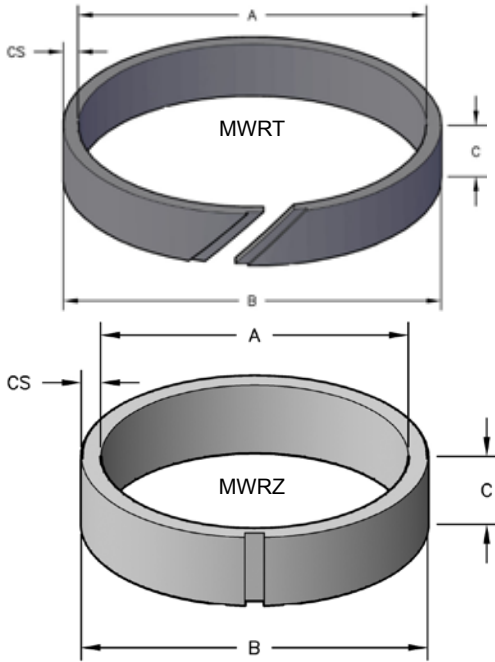
Suffix:
SC = Scarf Cut Ring

WEAR RINGS

Part Number	A Nom. ID	B Nom. OD	C Nom. Ht	Nom. Cross Section	List Price
MWRPEG-120X9.5X2.5-SC	115	120	9.5	2.5	\$12.82
MWRPEG-125X9.5X2.5-SC	120	125	9.5	2.5	13.35
MWRPEG-130X24.5X3.3-SC	123.4	130	24.5	3.3	24.10
MWRPEG-135X9.4X2.5-SC	130	135	9.4	2.5	14.05
MWRPEG-145X12.5X2.5-SC	140	145	12.4	2.5	21.40
MWRPEG-150X9.5X2.5-SC	145	150	9.4	2.5	20.14
MWRPEG-150X12.5X2.5-SC	145	150	12.5	2.5	26.49
MWRPEG-170X15X2.5-SC	165	170	14.9	2.5	30.45
MWRPEG-190X15X3-SC	184	190	14.9	3	34.38
MWRPEG-190X30.2X3-SC	184	190	30	3	63.87
MWRPEG-200X19.7X3-SC	194	200	19.5	3	47.01
MWRPEG-200X30.2X3-SC	194	200	30	3	66.89
MWRPEG-215X19.7X3-SC	209	215	19.5	3	52.36
MWRPEG-215X25.2X3-SC	209	215	25	3	63.18

STYLE MWRT & MWRZ WEAR RINGS

Made from filled PTFE, these rings are suitable for light duty bearing service but are more often installed on the outboard ends of a piston to catch metal particles to protect the seal area.



HERCULES PART NUMBERS

MWRT - 55 X 11.8 X 4
 Type of Seal Outside Diameter Width Cross Section

NOTE: MWRZ-G15 Relief Grooves, not split
 MWRZ-S Relief Grooves, split

SEAL INFORMATION	
MATERIAL	FILLED PTFE
TEMPERATURE RANGE	-100° TO +550° F
SPEED	12 FT/SEC
COMPRESSIVE STRENGTH	1,700 PSI
TENSILE STRENGTH	2,200 PSI

Part Number	A Nom. ID	B Nom. OD	C Nom. Ht	Nom. Cross Section	List Price
MWRT-40X2.6X1.4	37.2	40	2.6	1.4	\$21.89
MWRZ-50X3.9X4-G15	42	50	3.9	4	16.85
MWRT-50X6X2.5-SC	45	50	6	2.5	21.29
MWRT-55X11.8X4	47	55	11.8	4	134.45
MWRT-61X4X2.5-SC	56	61	4	2.5	18.08
MWRZ-65X4X4-G15	57	65	4	4	8.06
MWRT-65X6.3X2.5-SC	60	65	6.3	2.5	15.26
MWRT-65X9.5X2.5	60	65	9.5	2.5	66.56
MWRT-70X6X4-SC	62	70	6	4	92.62
MWRT-70X12X4	62	70	12	4	107.52
MWRT-70X4X3-SC	64	70	4	3	12.72
MWRZ-70X4X3S	64	70	4	3	10.08
MWRT-70X4X2.5-SC	65	70	4	2.5	23.44
MWRT-70X5.5X2.5-B4	65	70	5.5	2.5	100.23
MWRT-70X9.6X2.5	65	70	9.6	2.5	145.13
MWRT-70X19.5X2.5	65	70	19.5	2.5	199.64
MWRT-75X4.2X4-SC	67	75	4.2	4	13.86
MWRT-75X6X4-SC	67	75	6	4	92.75
MWRT-75X11.8X4	67	75	11.8	4	144.48
MWRZ-75X4X3S	69	75	4	3	11.34
MWRT-75X19.5X2.5	70	75	19.5	2.5	195.85
MWRT-80X4X4-SC	72	80	4	4	47.43
MWRZ-80X4X4-G15	72	80	4	4	8.31
MWRT-80X6X4-SC	72	80	6	4	92.86
MWRT-80X11.8X4	72	80	11.8	4	166.68
MWRZ-80X4X3S	74	80	4	3	12.59
MWRT-80X6X2.5-SC	75	80	6	2.5	7.21
MWRT-85X4X4-SC	77	85	4	4	47.43
MWRZ-85X4X4-G15	77	85	4	4	8.72
MWRT-85X6X4	77	85	6	4	73.07

Part Number	A Nom. ID	B Nom. OD	C Nom. Ht	Nom. Cross Section	List Price
MWRT-85X6X4-SC	77	85	6	4	73.07
MWRZ-85X6X4	77	85	6	4	9.49
MWRT-85X15X4	77	85	15	4	188.97
MWRZ-85X4X3S	79	85	4	3	12.59
MWRT-85X6X2.5-SC	80	85	6	2.5	31.63
MWRT-85X8X2.5-SC	80	85	8	2.5	111.71
MWRZ-85X9.5X2.5-G15	80	85	9.5	2.5	19.90
MWRT-85X19.5X2.5	80	85	19.5	2.5	181.28
MWRZ-90X4X4-G15	82	90	4	4	8.73
MWRT-90X6X4	82	90	6	4	53.27
MWRT-90X9.5X4	82	90	9.5	4	14.12
MWRT-90X14.8X4	82	90	14.8	4	188.48
MWRT-90X4.4X3.8	82.4	90	4.4	3.8	79.13
MWRZ-90X4X3S	84	90	4	3	12.59
MWRT-90X8X2.5-SC	85	90	8	2.5	23.55
MWRT-90X9.6X2.5	85	90	9.6	2.5	71.65
MWRT-90X10X2.5	85	90	10	2.5	82.70
MWRZ-95X4X4-G15	87	95	4	4	9.40
MWRT-95X6X4	87	95	6	4	55.47
MWRZ-95X6X4-B4	87	95	6	4	18.47
MWRT-95X15X4	87	95	15	4	81.15
MWRZ-95X4X3S	89	95	4	3	15.11
MWRT-100X5.9X4-B4	92	100	5.9	4	106.52
MWRZ-100X5.9X4-G15	92	100	5.9	4	13.07
MWRT-100X9.7X4	92	100	9.7	4	15.71
MWRT-100X14.8X4	92	100	14.8	4	206.57
MWRZ-100X4X3S	94	100	4	3	15.11
MWRT-100X10X2.5-SC	95	100	10	2.5	108.59
MWRT-105X6X4	97	105	6	4	36.52
MWRZ-105X4X3S	99	105	4	3	16.49

STYLE MWRT & MWRZ WEAR RINGS

WEAR RINGS

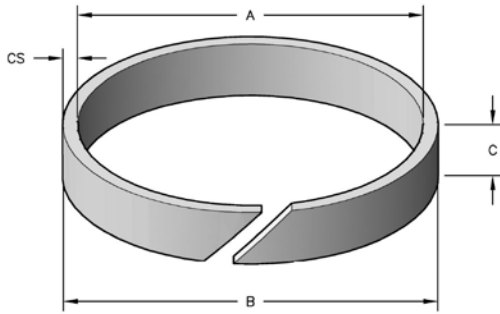
Part Number	A Nom. ID	B Nom. OD	C Nom. Ht	Nom. Cross Section	List Price
MWRT-110X5.9X4	102	110	5.9	4	116.30
MWRT-110X5.9X4-B4	102	110	5.9	4	107.89
MWRT-110X6X4	102	110	6	4	58.50
MWRZ-110X6X4	102	110	6	4	11.40
MWRZ-110X6X4-B4	102	110	6	4	20.82
MWRT-110X9.7X4	102	110	9.7	4	16.77
MWRT-110X14.8X4	102	110	14.8	4	208.25
MWRT-110X4X3S	104	110	4	3	16.79
MWRT-110X15X2.5	105	110	15	2.5	146.39
MWRZ-115X5.9X4S	107	115	5.9	4	13.39
MWRT-115X6X4	107	115	6	4	59.49
MWRT-115X8X4	107	115	8	4	68.22
MWRT-115X9.5X4	107	115	9.5	4	39.83
MWRZ-115X4X3S	109	115	4	3	14.50
MWRZ-120X6X4.5-G15	111	120	6	4.5	46.94
MWRZ-120X5.9X4-G15	112	120	5.9	4	16.44
MWRT-120X6X4	112	120	6	4	53.11
MWRT-120X8X4	112	120	8	4	69.09
MWRZ-120X4X3S	114	120	4	3	16.57
MWRT-120X15X2.5	115	120	15	2.5	125.20
MWRT-125X6X4	117	125	6	4	83.49
MWRT-125X8X4	117	125	8	4	71.98
MWRZ-125X9.5X4-G15	117	125	9.5	4	26.03
MWRT-125X9.7X4	117	125	9.7	4	80.54
MWRT-125X15X2.5-B6	120	125	15	2.5	86.18
MWRT-130X4.75X4	122	130	4.75	4	122.14
MWRZ-130X6X4-G15	122	130	6	4	18.02
MWRT-130X8X4	122	130	8	4	73.26
MWRT-130X9.5X4	122	130	9.5	4	23.64
MWRT-130X11.6X2.5	125	130	11.6	2.5	148.21
MWRT-130X14.9X2.5	125	130	14.9	2.5	63.98
MWRT-135X6X4	127	135	6	4	78.20
MWRT-135X8X4	127	135	8	4	74.64
MWRT-135X9.7X4	127	135	9.7	4	87.44
MWRT-135X15X2.5	130	135	15	2.5	65.92
MWRT-140X8X4	132	140	8	4	75.58
MWRZ-140X8X4-G15	132	140	8	4	16.37
MWRZ-140X9.5X4-G15	132	140	9.5	4	22.25
MWRT-140X9.7X4	132	140	9.7	4	90.32
MWRT-140X19.7X4	132	140	19.7	4	133.12
MWRT-145X7.9X4.5	136	145	7.9	4.5	44.86
MWRT-145X6X4	137	145	6	4	140.71
MWRZ-145X6X4-G15	137	145	6	4	144.93
MWRT-145X7.9X4	137	145	7.9	4	118.89
MWRT-145X9.5X4	137	145	9.5	4	22.09
MWRT-145X9.7X4	137	145	9.7	4	95.66
MWRT-145X20X2.5	140	145	20	2.5	99.67
MWRT-145X20X2.5-B6	140	145	20	2.5	122.93
MWRT-150X6X4	142	150	6	4	21.09
MWRT-150X6X4-B4	142	150	6	4	138.91
MWRT-150X8X4	142	150	8	4	83.46
MWRZ-150X8X4-G15	142	150	8	4	90.34
MWRT-150X9.5X4-SC	142	150	9.4	4	116.73
MWRZ-150X9.5X4-G15	142	150	9.5	4	31.07
MWRT-150X9.7X4	142	150	9.7	4	100.23
MWRT-155X19.9X2.5	150	155	19.85	2.5	148.12
MWRT-160X6X4-B4	152	160	6	4	162.90

Part Number	A Nom. ID	B Nom. OD	C Nom. Ht	Nom. Cross Section	List Price
MWRZ-160X7.9X4S	152	160	7.9	4	24.25
MWRT-160X9.5X4	152	160	9.5	4	68.12
MWRZ-160X9.5X4S	152	160	9.5	4	30.08
MWRT-160X9.7X4	152	160	9.7	4	102.58
MWRT-165X6X4	157	165	6	4	174.83
MWRT-165X9.5X4	157	165	9.5	4	82.58
MWRT-165X9.7X4	157	165	9.7	4	202.65
MWRT-165X9.7X2.5	160	165	9.7	2.5	85.50
MWRT-165X19.9X2.5	160	165	19.9	2.5	137.44
MWRT-170X6X4-SC	162	170	6	4	117.14
MWRT-170X8X4-B4	162	170	8	4	197.05
MWRZ-170X9.5X4-G15	162	170	9.5	4	32.65
MWRT-170X9.7X4	162	170	9.7	4	125.63
MWRT-175X6X4	167	175	6	4	180.71
MWRT-175X19.7X2.5	170	175	19.7	2.5	148.28
MWRZ-180X9.5X4-G15	172	180	9.5	4	37.36
MWRZ-185X8X4-G15	177	185	8	4	104.67
MWRT-185X24.7X2.5	180	185	24.7	2.5	209.99
MWRZ-190X7.9X4-B4	182	190	7.9	4	102.83
MWRT-190X8X4	182	190	8	4	112.32
MWRT-190X8.9X4-B4	182	190	8.9	4	130.65
MWRT-190X9.5X4	182	190	9.5	4	108.77
MWRT-190X9.7X4	182	190	9.7	4	130.65
MWRZ-200X7.9X4-B4	192	200	7.9	4	108.42
MWRT-200X8.9X4-B4	192	200	8.9	4	272.93
MWRT-200X9.7X2.5	195	200	9.7	2.5	99.78
MWRT-200X19.8X2.5	195	200	19.8	2.5	218.18
MWRZ-215X9.4X4-B4	207	215	9.4	4	134.91
MWRT-215X9.7X4	207	215	9.7	4	138.95
MWRT-220X8.9X4-B4	212	220	8.9	4	288.73
MWRT-225X9.7X4-B4	217	225	9.7	4	270.64
MWRT-230X14.8X4-SC	224	230	14.7	4	180.81
MWRT-240X14.9X4-SC	232	240	14.9	4	286.37
MWRT-260X14.8X4-SC	252	260	14.8	4	182.19
MWRT-330X9.7X2.5-B6	325	330	9.7	2.5	107.32

Seal color may vary. Special order sizes are available. Sizes not shown and out of stock items can also be ordered for next day delivery through Seals On Demand, our custom seal program. Please call your regional sales team for assistance.

STYLE MWRA SC WEAR RINGS

The style MWRA wear ring is molded from acetal and has excellent wear characteristics.



HERCULES PART NUMBERS

MWRA - 29 X 9.5 X 2

Type of Seal Outside Diameter Width Cross Section

SEAL INFORMATION

MATERIAL	ACETAL
TEMPERATURE RANGE	- 40° TO +230° F
SPEED	3 FT/SEC

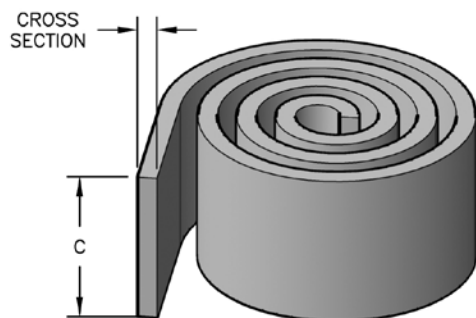
Part Number	A Nom. ID	B Nom. OD	C Nom. Ht	Nom. Cross Section	List Price
MWRA-29X9.5X2-SC	25	29	9.5	2	\$4.46
MWRA-45X5.4X2.5-SC	40	45	5.4	2.5	1.86
MWRA-45X9.5X2-SC	41	45	9.5	2	6.42
MWRA-46X12.8X3-SC	40	46	12.8	3	2.95
MWRA-50X9.7X2.5-SC	45	50	9.7	2.5	7.50
MWRA-50X15X2.5-SC	45	50	15	2.5	2.95
MWRA-55X6X2.5-SC	50	55	6	2.5	19.94
MWRA-60X6X2.5-SC	55	60	6	2.5	16.33
MWRA-61X9.5X3-SC	55	61	9.5	3	14.75
MWRA-65X6.2X2.5-SC	60	65	6.2	2.5	15.14
MWRA-65X9.7X2.5-SC	60	65	9.7	2.5	15.48
MWRA-70X6.2X2.5-SC	65	70	6.2	2.5	16.40
MWRA-80X6.2X2.5-SC	75	80	6.2	2.5	18.91
MWRA-80X9.7X2.5-SC	75	80	9.7	2.5	21.27
MWRA-86X12.8X3-SC	80	86	12.8	3	3.74
MWRA-90X12.5X3-SC	84	90	12.5	3	2.24
MWRA-90X9.5X2.5-SC	85	90	9.5	2.5	3.23
MWRA-95X6X2.5-SC	90	95	6	2.5	26.35
MWRA-95X6.2X2.5-SC	90	95	6.2	2.5	23.54
MWRA-97X9.7X2.5-SC	92	97	9.7	2.5	23.59
MWRA-100X6.2X2.5-SC	95	100	6.2	2.5	24.36
MWRA-105X5.9X4-SC	97	105	5.9	4	74.74
MWRA-105X15X2.5-SC	100	105	15	2.5	4.00
MWRA-120X8X2.5-SC	115	120	8	2.5	42.23
MWRA-146X12.5X3-SC	140	146	12.5	3	5.81
MWRA-180X19X3-SC	174	180	19	3	76.35

WEAR RINGS

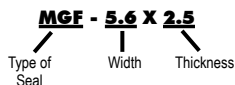
STYLE MGF FLEXIBLE GUIDE BEARINGS

Fabricated from woven fabric and polyester resins, this material can be cut to length to fit rod or piston grooves.

NOTE: Product sold in lengths of 2, 4, 8, and 16 feet. Some sizes also available in 16 feet TQ= Turquoise in color.



HERCULES PART NUMBERS



SEAL INFORMATION

MATERIAL	FABRIC REINFORCED POLYESTER
TEMPERATURE RANGE	-30° TO +265° F
SPEED	3 FT/SEC
COMPRESSIVE STRENGTH	30,000 PSI

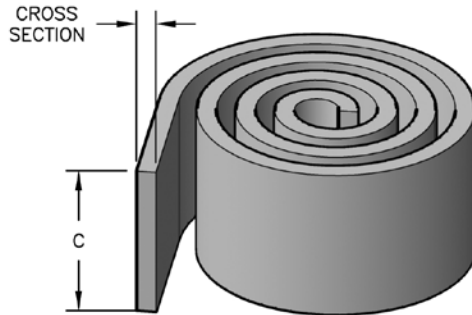
WEAR RINGS

Part Number	C Nom. Ht	Nom. Cross Section	LENGTH	List Price
MGF-5.6X2.5-2FT	5.6	2.5	2	\$16.03
MGF-5.6X2.5-4FT	5.6	2.5	4	29.14
MGF-5.6X2.5-8FT	5.6	2.5	8	53.42
MGF-5.6X2.5-16FT	5.6	2.5	16	90.43
MGF-9.7X2.5-2FT	9.7	2.5	2	18.78
MGF-9.7X2.5-4FT	9.7	2.5	4	34.16
MGF-9.7X2.5-8FT	9.7	2.5	8	62.62
MGF-9.7X2.5-TQ16	9.7	2.5	16	136.01
MGF-9.7X4-TQ16	9.7	4	16	166.81
MGF-13X2.5-2FT	13	2.5	2	18.45
MGF-13X2.5-4FT	13	2.5	4	33.53
MGF-13X2.5-8FT	13	2.5	8	61.48
MGF-13X2.5-16FT	13	2.5	16	104.06
MGF-15X2.5-2FT	15	2.5	2	20.87
MGF-15X2.5-4FT	15	2.5	4	37.94
MGF-15X2.5-8FT	15	2.5	8	69.55
MGF-15X2.5-TQ16	15	2.5	16	151.43
MGF-20X2.5-2FT	20	2.5	2	21.47
MGF-20X2.5-4FT	20	2.5	4	39.03
MGF-20X2.5-8FT	20	2.5	8	71.55
MGF-20X2.5-TQ16	20	2.5	16	159.09
MGF-25X2.5-2FT	25	2.5	2	26.43
MGF-25X2.5-TQ-2FT	25	2.5	2	24.19
MGF-25X2.5-4FT	25	2.5	4	48.04
MGF-25X2.5-TQ-4FT	25	2.5	4	43.99
MGF-25X2.5-8FT	25	2.5	8	88.07
MGF-25X2.5-TQ-8FT	25	2.5	8	80.64
MGF-25X2.5-16FT	25	2.5	16	129.69
MGF-25X2.5-TQ16	25	2.5	16	165.28
MGF-25X4-TQ-2FT	25	4	2	31.45
MGF-25X4-TQ-4FT	25	4	4	57.19
MGF-25X4-TQ-8FT	25	4	8	104.84
MGF-25X4-TQ16	25	4	16	219.71

BOXED MGF STYLE FLEXIBLE GUIDE BEARINGS



Our MGF style flexible guide bearings, with a 2.5mm radial thickness, offered in a boxed quantity. The strip can be cut to any length using anvil type pruning shears. Product length is 32' per box.



HERCULES PART NUMBERS

MGF - 9.7 X 2.5 - 506 - BOX

Type of Seal Width Thickness

SEAL INFORMATION

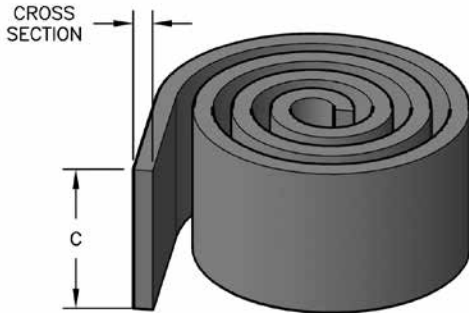
MATERIAL	FABRIC REINFORCED POLYESTER
TEMPERATURE RANGE	-30° TO +265° F
SPEED	3 FT/SEC
COMPRESSIVE STRENGTH	24,000 PSI

Part Number	C Nom. Ht	Nom. Cross Section	List Price
MGF-9.7X2.5-506-BOX	9.7	2.5	\$569.67
MGF-15X2.5-506-BOX	15	2.5	715.15
MGF-25X2.5-506-BOX	25	2.5	977.74

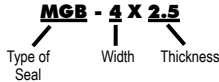
WEAR RINGS

STYLE MGB FLEXIBLE GUIDE BEARINGS

Manufactured to a large variety of widths and thicknesses, this material affords low friction capabilities but with low compressive strength. The material also has the capability of ingesting metal particles and keeping them from the seal area. **NOTE: Product sold in lengths of 2, 4, 8, and 25 feet.**



HERCULES PART NUMBERS



NOTE: MGB-NT, notched. Sold by the foot.
GM = 15% glass / 5% moly filled PTFE

SEAL INFORMATION

MATERIAL	60% BRONZE FILLED PTFE OR 15% GLASS/5% MOLY FILLED PTFE
TEMPERATURE RANGE	-50° TO +390° F
SPEED	12 FT/SEC
COMPRESSIVE STRENGTH	1,700 PSI

WEAR RINGS

Part Number	C Nom. Ht	Nom. Cross Section	LENGTH	List Price
MGB-4X1.5-2FT	4	1.5	2	\$6.51
MGB-4X1.5-4FT	4	1.5	4	11.84
MGB-4X1.5-8FT	4	1.5	8	21.70
MGB-4X1.5-25FT	4	1.5	25	37.68
MGB-4X2.5-2FT	4	2.5	2	48.08
MGB-4X2.5-4FT	4	2.5	4	87.43
MGB-4X2.5-8FT	4	2.5	8	160.27
MGB-4X2.5-25FT	4	2.5	25	278.25
MGB-5.5X2.5-2FT	5.5	2.5	2	45.77
MGB-5.5X2.5-4FT	5.5	2.5	4	83.21
MGB-5.5X2.5-8FT	5.5	2.5	8	152.57
MGB-5.5X2.5-25FT	5.5	2.5	25	264.88
MGB-6X4-2FT	6	4	2	88.75
MGB-6X4-4FT	6	4	4	161.37
MGB-6X4-8FT	6	4	8	295.84
MGB-6X4-25FT	6	4	25	513.63
MGB-6.1X2.5-2FT	6.1	2.5	2	52.49
MGB-6.1X2.5-4FT	6.1	2.5	4	95.43
MGB-6.1X2.5-8FT	6.1	2.5	8	174.96
MGB-6.1X2.5-25FT	6.1	2.5	25	303.75
MGB-7.9X2.5-2FT	7.9	2.5	2	49.25
MGB-7.9X2.5-4FT	7.9	2.5	4	89.54
MGB-7.9X2.5-8FT	7.9	2.5	8	164.16
MGB-7.9X2.5-25FT	7.9	2.5	25	285.00
MGB-7.9X4-2FT	7.9	4	2	99.36
MGB-7.9X4-4FT	7.9	4	4	180.65
MGB-7.9X4-8FT	7.9	4	8	331.20
MGB-7.9X4-25FT	7.9	4	25	575.00
MGB-8X2-2FT	8	2	2	46.22
MGB-8X2-4FT	8	2	4	84.05
MGB-8X2-8FT	8	2	8	154.08
MGB-8X2-25FT	8	2	25	267.50
MGB-8.9X4-2FT	8.9	4	2	100.66
MGB-8.9X4-4FT	8.9	4	4	183.01
MGB-8.9X4-8FT	8.9	4	8	335.52
MGB-8.9X4-25FT	8.9	4	25	582.50
MGB-9.5X2.5-2FT	9.5	2.5	2	39.74
MGB-9.5X2.5-4FT	9.5	2.5	4	72.26
MGB-9.5X2.5-8FT	9.5	2.5	8	132.48
MGB-9.5X2.5-25FT	9.5	2.5	25	230.00

Part Number	C Nom. Ht	Nom. Cross Section	LENGTH	List Price
MGB-9.5X4-NT	9.5	4		44.77
MGB-9.5X4-2FT	9.5	4	2	96.77
MGB-9.5X4-4FT	9.5	4	4	175.94
MGB-9.5X4-8FT	9.5	4	8	322.56
MGB-9.5X4-25FT	9.5	4	25	560.00
MGB-9.7X4-GM-2FT	9.7	4	2	68.80
MGB-9.7X4-GM-4FT	9.7	4	4	125.09
MGB-9.7X4-GM-8FT	9.7	4	8	229.33
MGB-9.7X4-GM-25FT	9.7	4	25	430.00
MGB-10X2-2FT	10	2	2	48.17
MGB-10X2-4FT	10	2	4	87.58
MGB-10X2-8FT	10	2	8	160.56
MGB-10X2-25FT	10	2	25	278.75
MGB-12X4-2FT	12	4	2	139.10
MGB-12X4-4FT	12	4	4	252.91
MGB-12X4-8FT	12	4	8	463.68
MGB-12X4-25FT	12	4	25	805.00
MGB-14X3.5-2FT	14	3.5	2	150.92
MGB-14X3.5-4FT	14	3.5	4	274.41
MGB-14X3.5-8FT	14	3.5	8	503.07
MGB-14X3.5-25FT	14	3.5	25	873.39
MGB-14.5X4-2FT	14.5	4	2	144.94
MGB-14.5X4-4FT	14.5	4	4	263.52
MGB-14.5X4-8FT	14.5	4	8	483.12
MGB-14.5X4-25FT	14.5	4	25	838.75
MGB-14.6X2.5-2FT	14.6	2.5	2	93.14
MGB-14.6X2.5-4FT	14.6	2.5	4	169.34
MGB-14.6X2.5-8FT	14.6	2.5	8	310.47
MGB-14.6X2.5-25FT	14.6	2.5	25	539.00
MGB-15X2-2FT	15	2	2	54.32
MGB-15X2-4FT	15	2	4	98.77
MGB-15X2-8FT	15	2	8	181.08
MGB-15X2-25FT	15	2	25	314.38
MGB-15X2.5-2FT	15	2.5	2	65.64
MGB-15X2.5-4FT	15	2.5	4	119.35
MGB-15X2.5-8FT	15	2.5	8	218.81
MGB-15X2.5-25FT	15	2.5	25	379.88
MGB-20X2-2FT	20	2	2	53.40
MGB-20X2-4FT	20	2	4	97.08
MGB-20X2-8FT	20	2	8	177.98

STYLE MGB FLEXIBLE GUIDE BEARINGS

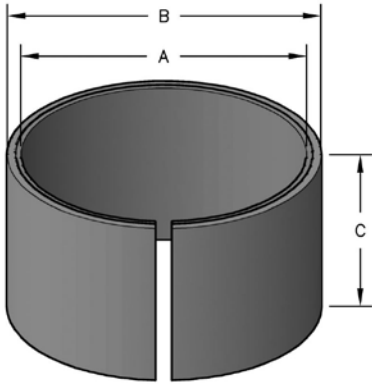


Part Number	C Nom. Ht	Nom. Cross Section	LENGTH	List Price
MGB-20X2-25FT	20	2	25	309.00
MGB-20X2.5-2FT	20	2.5	2	74.89
MGB-20X2.5-4FT	20	2.5	4	136.16
MGB-20X2.5-8FT	20	2.5	8	249.62
MGB-20X2.5-25FT	20	2.5	25	433.38
MGB-24.5X2.5-2FT	24.5	2.5	2	48.90
MGB-24.5X2.5-4FT	24.5	2.5	4	88.91
MGB-24.5X2.5-8FT	24.5	2.5	8	162.99
MGB-24.5X2.5-25FT	24.5	2.5	25	282.98
MGB-30X2.5-2FT	30	2.5	2	104.70
MGB-30X2.5-4FT	30	2.5	4	190.36
MGB-30X2.5-8FT	30	2.5	8	348.99
MGB-30X2.5-25FT	30	2.5	25	605.89
MGB-30X3-2FT	30	3	2	66.74
MGB-30X3-4FT	30	3	4	121.35
MGB-30X3-8FT	30	3	8	222.48
MGB-30X3-25FT	30	3	25	386.25
MGB-50X2-2FT	50	2	2	130.68
MGB-50X2-4FT	50	2	4	237.60
MGB-50X2-8FT	50	2	8	435.60
MGB-50X2-25FT	50	2	25	756.25

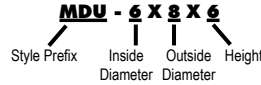
WEAR RINGS

STYLE MDU ROD BUSHINGS

With a steel body, bronze liner, and PTFE / lead overlay, these bushings possess excellent wearability and tremendous compressive strength.



HERCULES PART NUMBERS



SEAL INFORMATION	
MATERIAL	BRONZE LINING PTFE/LEAD OVERLAY STEEL BACKING
TEMPERATURE RANGE	-325° TO +536° F
SPEED	12 FT/SEC
COMPRESSIVE STRENGTH	44,000 PSI

Suffix:

C - Copper Outside Diameter finish, electroplated

WEAR RINGS

Part Number	A Nom. ID	B Nom. OD	C Nom. Ht	List Price
MDU-16X18X15	16	18	15	\$3.76
MDU-18X20X30	18	20	30	1.55
MDU-20X23X15	20	23	15	5.15
MDU-20X23X20	20	23	20	5.39
MDU-20X23X25	20	23	25	6.91
MDU-20X23X40	20	23	40	9.67
MDU-22X25X20	22	25	20	8.71
MDU-25X28X12	25	28	12	7.26
MDU-25X28X15	25	28	15	5.66
MDU-25X28X20	25	28	20	5.84
MDU-25X28X25	25	28	25	7.67
MDU-25X28X30	25	28	30	8.87
MDU-25X28X40	25	28	40	10.41
MDU-30X34X12	30	34	12	8.92
MDU-30X34X15	30	34	15	9.67
MDU-30X34X20-C	30	34	20	9.67
MDU-30X34X25	30	34	25	10.41
MDU-30X34X25-C	30	34	25	12.33
MDU-30X34X40	30	34	40	14.23
MDU-32X36X20	32	36	20	7.26
MDU-32X36X40	32	36	40	13.25
MDU-35X39X20	35	39	20	9.65
MDU-35X39X25	35	39	25	11.55
MDU-35X39X25-C	35	39	25	12.82
MDU-35X39X50	35	39	50	20.03
MDU-38X42X32	38	42	32	14.32
MDU-40X44X20	40	44	20	5.09
MDU-40X44X25	40	44	25	13.12
MDU-40X44X30	40	44	30	15.35
MDU-40X44X30-C	40	44	30	15.40
MDU-40X44X35	40	44	35	15.45
MDU-40X44X40	40	44	40	15.45
MDU-40X44X50	40	44	50	22.34
MDU-45X50X20	45	50	20	13.12
MDU-45X50X25-C	45	50	25	24.21
MDU-45X50X30	45	50	30	18.00
MDU-45X50X30-C	45	50	30	23.62

Part Number	A Nom. ID	B Nom. OD	C Nom. Ht	List Price
MDU-45X50X40	45	50	40	23.82
MDU-45X50X50	45	50	50	25.08
MDU-50X55X12	50	55	12	11.55
MDU-50X55X25	50	55	25	18.21
MDU-50X55X25-C	50	55	25	22.94
MDU-50X55X30	50	55	30	21.84
MDU-50X55X40	50	55	40	26.99
MDU-50X55X50	50	55	50	30.05
MDU-50X55X60	50	55	60	35.09
MDU-55X60X12	55	60	12	11.97
MDU-55X60X25	55	60	25	19.28
MDU-55X60X25-C	55	60	25	25.08
MDU-55X60X30	55	60	30	25.79
MDU-55X60X30-C	55	60	30	26.00
MDU-55X60X35-C	55	60	35	29.81
MDU-55X60X40	55	60	40	27.39
MDU-55X60X50	55	60	50	32.80
MDU-55X60X60	55	60	60	38.15
MDU-56X61X15	56	61	15	9.04
MDU-56X61X30	56	61	30	26.02
MDU-56X61X35	56	61	35	34.56
MDU-56X61X40	56	61	40	30.71
MDU-60X65X15	60	65	15	12.53
MDU-60X65X30	60	65	30	26.22
MDU-60X65X35	60	65	35	28.98
MDU-60X65X35-C	60	65	35	32.07
MDU-60X65X40	60	65	40	34.02
MDU-60X65X50	60	65	50	37.77
MDU-60X65X70	60	65	70	49.37
MDU-65X70X15	65	70	15	17.79
MDU-65X70X25-C	65	70	25	29.33
MDU-65X70X30	65	70	30	30.52
MDU-65X70X35	65	70	35	31.73
MDU-65X70X40	65	70	40	36.08
MDU-65X70X50	65	70	50	66.29
MDU-65X70X60	65	70	60	46.66
MDU-70X75X15	70	75	15	28.44

STYLE MDU ROD BUSHINGS

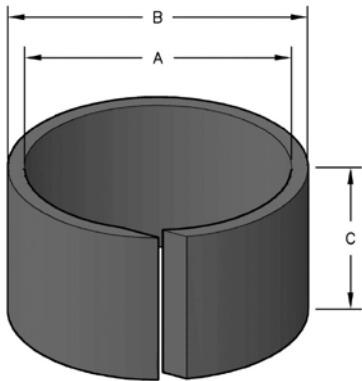
WEAR RINGS

Part Number	A Nom. ID	B Nom. OD	C Nom. Ht	List Price
MDU-70X75X20	70	75	20	30.33
MDU-70X75X25-C	70	75	25	32.40
MDU-70X75X30	70	75	30	34.45
MDU-70X75X30-C	70	75	30	14.40
MDU-70X75X35-C	70	75	35	14.40
MDU-70X75X40	70	75	40	41.49
MDU-70X75X40-C	70	75	40	38.77
MDU-70X75X50	70	75	50	45.49
MDU-75X80X25	75	80	25	36.68
MDU-75X80X30	75	80	30	38.12
MDU-75X80X35	75	80	35	39.54
MDU-75X80X40	75	80	40	43.54
MDU-75X80X40-C	75	80	40	42.39
MDU-75X80X50	75	80	50	47.83
MDU-75X80X60	75	80	60	57.83
MDU-80X85X15	80	85	15	42.73
MDU-80X85X30	80	85	30	43.95
MDU-80X85X35-C	80	85	35	40.85
MDU-80X85X40	80	85	40	47.76
MDU-80X85X40-C	80	85	40	50.14
MDU-80X85X50	80	85	50	54.38
MDU-80X85X60	80	85	60	62.09
MDU-85X90X30	85	90	30	48.79
MDU-85X90X40	85	90	40	52.10
MDU-85X90X50	85	90	50	56.66
MDU-85X90X70	85	90	70	73.24
MDU-90X95X20	90	95	20	46.69
MDU-90X95X30	90	95	30	47.06
MDU-90X95X30-C	90	95	30	51.59
MDU-90X95X35	90	95	35	55.30
MDU-90X95X40	90	95	40	60.09
MDU-90X95X40-C	90	95	40	54.06
MDU-90X95X45	90	95	45	62.58
MDU-90X95X60	90	95	60	75.23
MDU-95X100X20	95	100	20	51.33
MDU-95X100X30	95	100	30	53.01
MDU-95X100X35	95	100	35	59.43
MDU-95X100X40	95	100	40	62.35
MDU-95X100X40-C	95	100	40	65.50
MDU-95X100X50	95	100	50	67.11
MDU-100X105X20	100	105	20	40.86
MDU-100X105X30	100	105	30	58.59
MDU-100X105X35	100	105	35	72.65
MDU-100X105X40	100	105	40	73.24
MDU-100X105X40-C	100	105	40	57.64
MDU-100X105X50	100	105	50	83.66
MDU-100X105X60	100	105	60	87.15
MDU-105X110X35	105	110	35	62.48
MDU-105X110X40	105	110	40	65.87
MDU-105X110X40-C	105	110	40	65.14
MDU-105X110X45	105	110	45	72.73
MDU-105X110X50	105	110	50	79.79
MDU-105X110X60	105	110	60	89.85
MDU-110X115X20	110	115	20	58.59
MDU-110X115X35	110	115	35	64.44
MDU-110X115X40	110	115	40	74.04
MDU-110X115X45	110	115	45	83.25
MDU-110X115X50	110	115	50	118.79

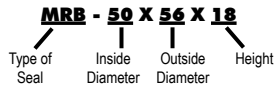
Part Number	A Nom. ID	B Nom. OD	C Nom. Ht	List Price
MDU-110X115X50-C	110	115	50	63.05
MDU-110X115X55	110	115	55	123.61
MDU-110X115X60	110	115	60	126.89
MDU-115X120X35	115	120	35	70.57
MDU-115X120X45	115	120	45	86.42
MDU-115X120X50	115	120	50	93.30
MDU-115X120X60	115	120	60	113.24
MDU-120X125X20	120	125	20	69.04
MDU-120X125X30	120	125	30	68.15
MDU-120X125X35	120	125	35	68.36
MDU-120X125X40	120	125	40	91.38
MDU-120X125X45-C	120	125	45	98.34
MDU-120X125X50	120	125	50	105.28
MDU-120X125X60	120	125	60	116.48
MDU-125X130X35	125	130	35	79.24
MDU-125X130X50	125	130	50	107.97
MDU-125X130X70	125	130	70	124.92
MDU-130X135X35	130	135	35	100.07
MDU-130X135X40	130	135	40	104.90
MDU-130X135X45	130	135	45	108.17
MDU-130X135X50	130	135	50	111.41
MDU-130X135X50-C	130	135	50	72.58
MDU-130X135X60	130	135	60	121.20
MDU-130X135X80	130	135	80	131.79
MDU-135X140X60	135	140	60	136.67
MDU-140X145X35	140	145	35	144.39
MDU-140X145X40	140	145	40	140.59
MDU-140X145X50	140	145	50	149.38
MDU-140X145X55	140	145	55	152.06
MDU-140X145X60	140	145	60	152.70
MDU-140X145X70	140	145	70	165.83
MDU-145X150X60	145	150	60	163.18
MDU-150X155X40	150	155	40	149.81
MDU-150X155X60	150	155	60	153.28
MDU-160X165X40	160	165	40	164.58
MDU-160X165X50	160	165	50	166.63
MDU-160X165X80	160	165	80	168.91
MDU-180X185X90	180	185	90	223.32

STYLE MRB ROD BUSHINGS

Molded from a sturdy nylon material, these bushings are found chiefly in Ford metric cylinders.



HERCULES PART NUMBERS



SEAL INFORMATION

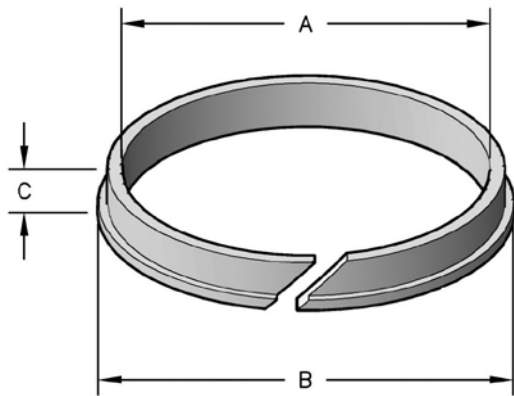
MATERIAL	NYLON
TEMPERATURE RANGE	-40° TO +250° F
SPEED	3 FT/SEC
COMPRESSIVE STRENGTH	25,000 PSI
TENSILE STRENGTH	27,000 PSI

Part Number	A Nom. ID	B Nom. OD	C Nom. Ht	List Price
MRB-50X56X18	50	56	18	\$18.57
MRB-50X56X28	50	56	28	18.57
MRB-56X62X28	56	62	28	18.86
MRB-63X69X28	63	69	28	20.12

STYLE MWRA-L ROD BUSHINGS

L

Primarily a British design, this ring can be installed one or two in a groove. Excellent wear characteristics.



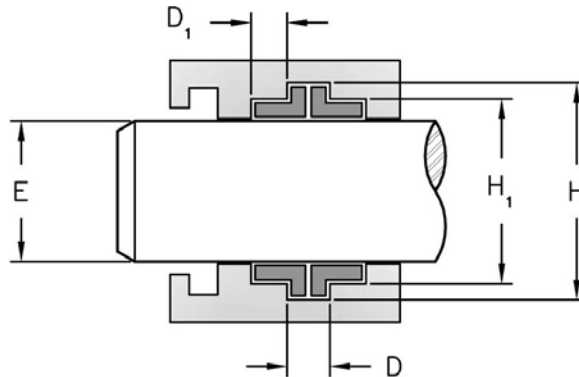
HERCULES PART NUMBERS

MWRA - 45 X 53 X 18-L

Type of Seal Inside Diameter Outside Diameter Height

SEAL INFORMATION

MATERIAL	ACETAL
TEMPERATURE RANGE	-40° TO +230° F
SPEED	3 FT/SEC

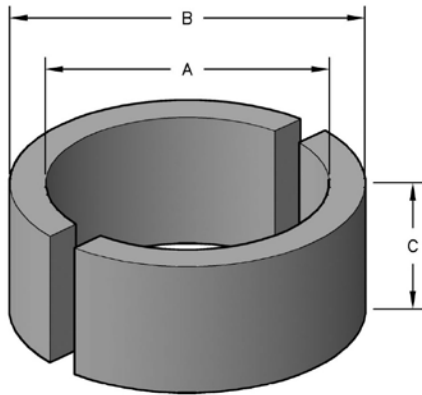


WEAR RINGS

Part Number	A Nom. ID	B Nom. OD	C Nom. Ht	D GROOVE WIDTH	D ₁ BEARING GROOVE WIDTH	E ROD DIAMETER	H GROOVE DIAMETER	H ₁ BEARING GROOVE DIAMETER	List Price
MWRA-45X53X18-L	45	53	18	8.00	14.00	45.00	53.00	50.00	\$7.57
MWRA-60X68X18-L	60	68	18	8.00	14.00	60.00	68.00	65.00	8.48
MWRA-60X71X16-L	60	71	16	10.00	11.00	60.00	71.00	66.00	9.22
MWRA-75X83X18-L	75	83	18	8.00	14.00	75.00	83.00	80.00	14.61
MWRA-78X89X16-L	78	89	16	10.00	11.00	78.00	89.00	84.00	10.83
MWRA-92X100X18-L	92	100	18	8.00	14.00	92.00	100.00	97.00	16.55
MWRA-99X110X16-L	99	110	16	10.00	11.00	99.00	110.00	105.00	16.41
MWRA-120X131X16-L	120	131	16	10.00	11.00	120.00	131.00	126.00	19.07
MWRA-141X152X16-L	141	152	16	10.00	11.00	141.00	152.00	147.00	20.65
MWRA-162X173X16-L	162	173	16	10.00	11.00	162.00	173.00	168.00	22.63
MWRA-183X194X16-L	183	194	16	10.00	11.00	183.00	194.00	189.00	26.28
MWRA-207X218X16-L	207	218	16	10.00	11.00	207.00	218.00	213.00	32.55

STYLE MBB PISTON BUSHINGS

Installed as 2 halves in a closed groove, these bushings are found in many Japanese lift trucks.



HERCULES PART NUMBERS

MBB - 60 X 80 X 19.6

Type of Seal: MBB
 Inside Diameter: 60
 Outside Diameter: 80
 Height: 19.6

SEAL INFORMATION

MATERIAL	660 BRONZE
SPEED	3 FT/SEC

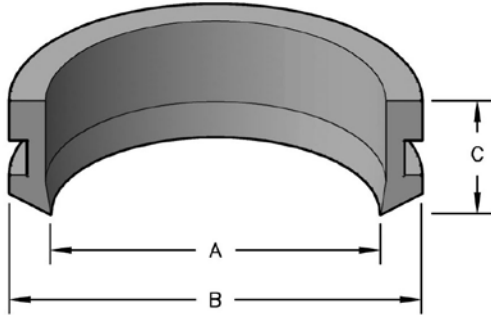
WEAR RINGS

Part Number	A Nom. ID	B Nom. OD	C Nom. Ht	List Price
MBB-60X80X19.6	60	80	19.6	\$128.15
MBB-70X90X24.6	70	90	24.6	154.93
MBB-85X105X24.6	85	105	24.6	158.08

STYLE WRFAI WEAR RINGS

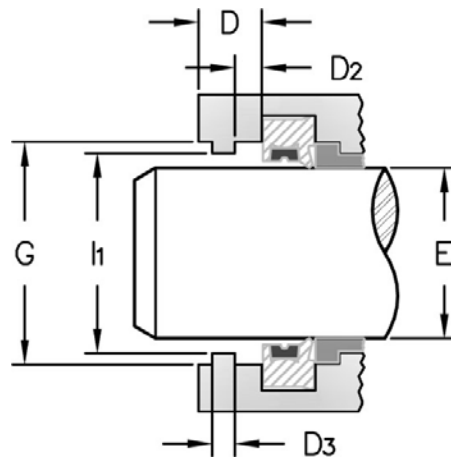


WRFAI split bearings are manufactured of an extremely abrasion-resistant and low-friction POM-PTFE Bronze compound. The excellent dry-running properties allow installation behind the primary rod seal. The WRFAI utilizes a scraper edge for integrated wiping function and contaminant removal. These are genuine Hunger® parts.



HERCULES PART NUMBERS

WRFAI - 22 X 19
 Type of Seal Inside Diameter Width



SEAL INFORMATION	
MATERIAL	POM - PTFE / BZ
TEMPERATURE RANGE	-65° TO +248° F

WEAR RINGS

Part Number	A Nom. ID	B Nom. OD	C Nom. Ht	D GROOVE WIDTH	E ROD DIAMETER	G HOUSING DIAMETER	I ₁ PROTRUSION DIAMETER	D ₂ BASE GROOVE WIDTH	D ₃ PROTRUSION WIDTH	List Price
WRFAI22X19	22	28	19	17.00 +0.12 / -0.05	22.00 -0.040 / -0.073	28.00 +0.052 / +0.000	25.00 +0.052 / +0.000	6.50 +0.098 / +0.040	6.00 -0.030 / -0.078	\$28.29
WRFAI32X19	32	38	19	17.00 +0.12 / -0.05	32.00 -0.050 / -0.089	38.00 +0.062 / +0.000	35.00 +0.062 / +0.000	6.50 +0.098 / +0.040	6.00 -0.030 / -0.078	42.02
WRFAI35X19	35	41	19	17.00 +0.12 / -0.05	35.00 -0.050 / -0.089	41.00 +0.062 / +0.000	38.00 +0.062 / +0.000	6.50 +0.098 / +0.040	6.00 -0.030 / -0.078	43.43
WRFAI36X19	36	42	19	17.00 +0.12 / -0.05	36.00 -0.050 / -0.089	42.00 +0.062 / +0.000	39.00 +0.062 / +0.000	6.50 +0.098 / +0.040	6.00 -0.030 / -0.078	43.43
WRFAI45X19	45	51	19	17.00 +0.12 / -0.05	45.00 -0.050 / -0.089	51.00 +0.074 / +0.000	48.00 +0.062 / +0.000	6.50 +0.098 / +0.040	6.00 -0.030 / -0.078	60.13
WRFAI50X19	50	56	19	17.00 +0.12 / -0.05	50.00 -0.050 / -0.089	56.00 +0.074 / +0.000	53.00 +0.074 / +0.000	6.50 +0.098 / +0.040	6.00 -0.030 / -0.078	57.94
WRFAI56X19	56	62	19	17.00 +0.12 / -0.05	56.00 -0.060 / -0.106	62.00 +0.074 / +0.000	59.00 +0.074 / +0.000	6.50 +0.098 / +0.040	6.00 -0.030 / -0.078	75.64
WRFAI63X24	63	73	24	21.00 +0.149 / +0.065	63.00 -0.060 / -0.106	73.00 +0.074 / +0.000	68.00 +0.074 / +0.000	8.50 +0.098 / +0.040	7.00 -0.040 / -0.098	70.26
WRFAI70X24	70	80	24	21.00 +0.149 / +0.065	70.00 -0.060 / -0.106	80.00 +0.074 / +0.000	75.00 +0.074 / +0.000	8.50 +0.098 / +0.040	7.00 -0.040 / -0.098	89.11
WRFAI80X24	80	90	24	21.00 +0.149 / +0.065	80.00 -0.060 / -0.106	90.00 +0.087 / +0.000	85.00 +0.087 / +0.000	8.50 +0.098 / +0.040	7.00 -0.040 / -0.098	74.78
WRFAI90X24	90	100	24	21.00 +0.149 / +0.065	90.00 -0.072 / -0.126	100.00 +0.087 / +0.000	95.00 +0.087 / +0.000	8.50 +0.098 / +0.040	7.00 -0.040 / -0.098	86.93
WRFAI100X24	100	110	24	21.00 +0.149 / +0.065	100.00 -0.072 / -0.126	110.00 +0.087 / +0.000	105.00 +0.087 / +0.000	8.50 +0.098 / +0.040	7.00 -0.040 / -0.098	108.82
WRFAI110X24	110	120	24	21.00 +0.149 / +0.065	110.00 -0.072 / -0.126	120.00 +0.087 / +0.000	115.00 +0.087 / +0.000	8.50 +0.098 / +0.040	7.00 -0.040 / -0.098	119.09

FORMERLY LISTED REPAIR PARTS ARE AVAILABLE ONLINE AT WWW.HERCULESUS.COM OR BY CONTACTING YOUR REGIONAL HERCULES SALES TEAM.

STYLE WRFAI WEAR RINGS

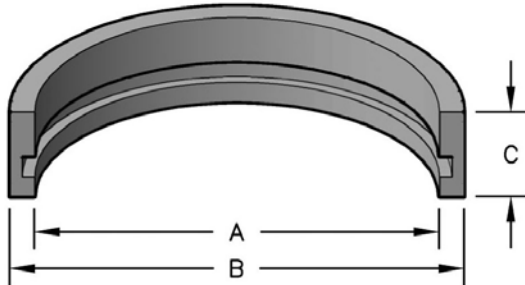
Part Number	A Nom. ID	B Nom. OD	C Nom. Ht	D GROOVE WIDTH	E ROD DIAMETER	G HOUSING DIAMETER	I ₁ PROTRUSION DIAMETER	D ₂ BASE GROOVE WIDTH	D ₃ PROTRUSION WIDTH	List Price
WRFAI 125X24	125	135	24	21.00 ^{+0.149} _{+0.065}	125.00 ^{-0.085} _{-0.148}	135.00 ^{+0.10} _{+0.00}	130.00 ^{+0.10} _{+0.00}	8.50 ^{+0.098} _{+0.040}	7.00 ^{-0.040} _{-0.098}	144.89
WRFAI 140X24	140	150	24	21.00 ^{+0.149} _{+0.065}	140.00 ^{-0.085} _{-0.148}	150.00 ^{+0.10} _{+0.00}	145.00 ^{+0.10} _{+0.00}	8.50 ^{+0.098} _{+0.040}	7.00 ^{-0.040} _{-0.098}	157.18

WEAR RINGS

STYLE WRFA WEAR RINGS

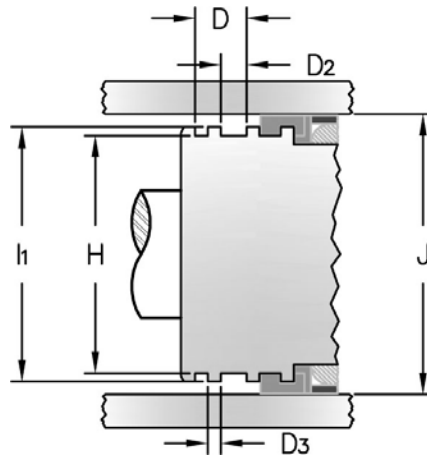


WRFA bearings are manufactured of an extremely abrasion-resistant and low-friction POM-PTFE Bronze compound. Rings are split for easy installation and multiple rings may be arranged adjacent to each other with joints staggered. These are genuine Hunger® parts.



HERCULES PART NUMBERS

WRFA - 40 X 12
 Type of Seal Outside Diameter Width



SEAL INFORMATION	
MATERIAL	POM - PTFE / BZ
TEMPERATURE RANGE	-65 TO +248° F
SPEED	12 FT/SEC

WEAR RINGS

Part Number	A Nom. ID	B Nom. OD	C Nom. Ht	D GROOVE WIDTH	H GROOVE DIAMETER	I ₁ PROTRUSION DIAMETER	J BORE DIAMETER	D ₂ BASE GROOVE WIDTH	D ₃ PROTRUSION WIDTH	List Price
WRFA 40X12	32	40	12	12.00 ^{+0.12} / _{+0.05}	32.00 ^{-0.025} / _{-0.064}	36.00 ^{-0.025} / _{-0.064}	40.00 ^{+0.039} / _{+0.000}	4.70 ^{+0.078} / _{+0.030}	3.50 ^{-0.030} / _{-0.078}	\$47.34
WRFA 50X12	42	50	12	12.00 ^{+0.12} / _{+0.05}	42.00 ^{-0.025} / _{-0.064}	46.00 ^{-0.025} / _{-0.064}	50.00 ^{+0.039} / _{+0.000}	6.20 ^{+0.098} / _{+0.040}	3.00 ^{-0.02} / _{-0.06}	56.20
WRFA 70X12	62	70	12	12.00 ^{+0.12} / _{+0.05}	62.00 ^{-0.030} / _{-0.076}	66.00 ^{-0.030} / _{-0.076}	70.00 ^{+0.046} / _{+0.000}	6.20 ^{+0.098} / _{+0.040}	3.00 ^{-0.02} / _{-0.06}	76.08
WRFA 80X14	72	80	14	14.00 ^{+0.12} / _{+0.05}	72.00 ^{-0.030} / _{-0.076}	76.00 ^{-0.030} / _{-0.076}	80.00 ^{+0.046} / _{+0.000}	7.20 ^{+0.098} / _{+0.040}	3.00 ^{-0.02} / _{-0.06}	79.90
WRFA 90X14	82	90	14	14.00 ^{+0.12} / _{+0.05}	82.00 ^{-0.036} / _{-0.090}	86.00 ^{-0.036} / _{-0.090}	90.00 ^{+0.054} / _{+0.000}	7.20 ^{+0.098} / _{+0.040}	3.00 ^{-0.02} / _{-0.06}	100.61
WRFA 100X10.6	92	100	10.6	10.60 ^{+0.12} / _{+0.05}	92.00 ^{-0.036} / _{-0.090}	96.00 ^{-0.036} / _{-0.090}	100.00 ^{+0.054} / _{+0.000}	3.80 ^{+0.078} / _{+0.030}	3.00 ^{-0.02} / _{-0.06}	102.08
WRFA 100X14	92	100	14	14.00 ^{+0.12} / _{+0.05}	92.00 ^{-0.036} / _{-0.090}	96.00 ^{-0.036} / _{-0.090}	100.00 ^{+0.054} / _{+0.000}	7.20 ^{+0.098} / _{+0.040}	3.00 ^{-0.02} / _{-0.06}	120.56
WRFA 105X14	97	105	14	14.00 ^{+0.12} / _{+0.05}	97.00 ^{-0.036} / _{-0.090}	101.00 ^{-0.036} / _{-0.090}	105.00 ^{+0.054} / _{+0.000}	7.20 ^{+0.098} / _{+0.040}	3.00 ^{-0.02} / _{-0.06}	116.88
WRFA 115X14	107	115	14	14.00 ^{+0.12} / _{+0.05}	107.00 ^{-0.036} / _{-0.090}	111.00 ^{-0.036} / _{-0.090}	115.00 ^{+0.054} / _{+0.000}	7.20 ^{+0.098} / _{+0.040}	3.00 ^{-0.02} / _{-0.06}	126.07
WRFA 120X14	112	120	14	14.00 ^{+0.12} / _{+0.05}	112.00 ^{-0.036} / _{-0.090}	116.00 ^{-0.036} / _{-0.090}	120.00 ^{+0.054} / _{+0.000}	7.20 ^{+0.098} / _{+0.040}	3.00 ^{-0.02} / _{-0.06}	128.72
WRFA 125X17.5	115	125	17.5	17.50 ^{+0.12} / _{+0.05}	115.00 ^{-0.036} / _{-0.090}	121.00 ^{-0.043} / _{-0.106}	125.00 ^{+0.063} / _{+0.000}	9.20 ^{+0.098} / _{+0.040}	4.00 ^{-0.030} / _{-0.078}	127.25
WRFA 160X17.5	150	160	17.5	17.50 ^{+0.12} / _{+0.05}	150.00 ^{-0.043} / _{-0.106}	156.00 ^{-0.043} / _{-0.106}	160.00 ^{+0.063} / _{+0.000}	9.20 ^{+0.098} / _{+0.040}	4.00 ^{-0.030} / _{-0.078}	242.32
WRFA 180X20	170	180	20	20.00 ^{+0.149} / _{+0.065}	170.00 ^{-0.043} / _{-0.106}	176.00 ^{-0.043} / _{-0.106}	180.00 ^{+0.063} / _{+0.000}	9.20 ^{+0.098} / _{+0.040}	6.00 ^{-0.030} / _{-0.078}	249.45

FORMERLY LISTED REPAIR PARTS ARE AVAILABLE ONLINE AT WWW.HERCULESUS.COM OR BY CONTACTING YOUR REGIONAL HERCULES SALES TEAM.

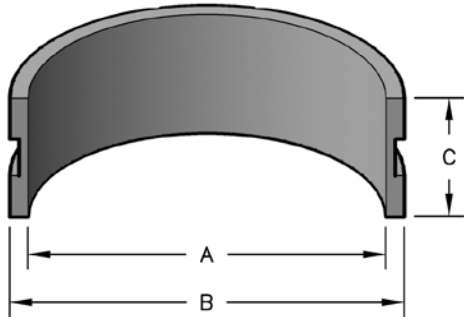
STYLE WRFA WEAR RINGS

Part Number	A Nom. ID	B Nom. OD	C Nom. Ht	D GROOVE WIDTH	H GROOVE DIAMETER	I ₁ PROTRUSION DIAMETER	J BORE DIAMETER	D ₂ BASE GROOVE WIDTH	D ₃ PROTRUSION WIDTH	List Price
WRFA200X20	190	200	20	20.00 ^{+0.149} _{+0.065}	190.00 ^{-0.050} _{-0.122}	196.00 ^{-0.050} _{-0.122}	200.00 ^{+0.072} _{+0.000}	11.70 ^{+0.12} _{+0.05}	4.50 ^{-0.030} _{-0.078}	328.43
WRFA220X25	210	220	25	25.00 ^{+0.149} _{+0.065}	210.00 ^{-0.050} _{-0.122}	216.00 ^{-0.050} _{-0.122}	220.00 ^{+0.072} _{+0.000}	11.70 ^{+0.12} _{+0.05}	8.00 ^{-0.040} _{-0.098}	371.35
WRFA225X25	215	225	25	25.00 ^{+0.149} _{+0.065}	215.00 ^{-0.050} _{-0.122}	221.00 ^{-0.050} _{-0.122}	225.00 ^{+0.072} _{+0.000}	11.70 ^{+0.12} _{+0.05}	8.00 ^{-0.040} _{-0.098}	422.38
WRFA280X33	270	280	33	33.00 ^{+0.18} _{+0.08}	270.00 ^{-0.056} _{-0.137}	276.00 ^{-0.056} _{-0.137}	280.00 ^{+0.081} _{+0.000}	11.70 ^{+0.12} _{+0.05}	15.00 ^{-0.05} _{-0.12}	666.46

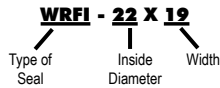
WEAR RINGS

STYLE WRFI WEAR RINGS

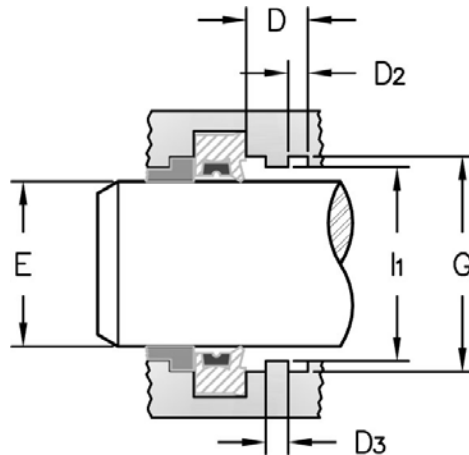
WRFI bearings are manufactured of an extremely abrasion-resistant and low-friction POM-PTFE Bronze compound. The excellent dry-running properties allow installation behind the primary rod-seal. These are genuine Hunger® parts.



HERCULES PART NUMBERS



SEAL INFORMATION	
MATERIAL	POM - PTFE / BZ
TEMPERATURE RANGE	-65 TO +248° F
SPEED	12 FT/SEC



Part Number	A Nom. ID	B Nom. OD	C Nom. Ht	D GROOVE WIDTH	E ROD DIAMETER	G HOUSING DIAMETER	l ₁ PROTRUSION DIAMETER	D ₂ BASE GROOVE WIDTH	D ₃ PROTRUSION WIDTH	List Price
WRFI35X19	35	41	19	19.00 +0.149 +0.065	35.00 -0.050 -0.089	41.00 +0.062 +0.000	38.00 +0.062 +0.000	6.50 +0.098 +0.040	6.00 -0.030 -0.078	\$41.66
WRFI36X19	36	42	19	19.00 +0.149 +0.065	36.00 -0.050 -0.089	42.00 +0.062 +0.000	39.00 +0.062 +0.000	6.50 +0.098 +0.040	6.00 -0.030 -0.078	41.66
WRFI40X19	40	46	19	19.00 +0.149 +0.065	40.00 -0.050 -0.089	46.00 +0.062 +0.000	43.00 +0.062 +0.000	6.50 +0.098 +0.040	6.00 -0.030 -0.078	50.83
WRFI45X19	45	51	19	19.00 +0.149 +0.065	45.00 -0.050 -0.089	51.00 +0.074 +0.000	48.00 +0.062 +0.000	6.50 +0.098 +0.040	6.00 -0.030 -0.078	48.01
WRFI50X19	50	56	19	19.00 +0.149 +0.065	50.00 -0.050 -0.089	56.00 +0.074 +0.000	53.00 +0.074 +0.000	6.50 +0.098 +0.040	6.00 -0.030 -0.078	55.57
WRFI55X19	55	61	19	19.00 +0.149 +0.065	55.00 -0.060 -0.106	61.00 +0.074 +0.000	58.00 +0.074 +0.000	6.50 +0.098 +0.040	6.00 -0.030 -0.078	55.57
WRFI56X19	56	62	19	19.00 +0.149 +0.065	56.00 -0.060 -0.106	62.00 +0.074 +0.000	59.00 +0.074 +0.000	6.50 +0.098 +0.040	6.00 -0.030 -0.078	56.95
WRFI63X24	63	73	24	24.00 +0.149 +0.065	63.00 -0.060 -0.106	73.00 +0.074 +0.000	68.00 +0.074 +0.000	8.50 +0.098 +0.040	7.00 -0.040 -0.098	64.64
WRFI70X24	70	80	24	24.00 +0.149 +0.065	70.00 -0.060 -0.106	80.00 +0.074 +0.000	75.00 +0.074 +0.000	8.50 +0.098 +0.040	7.00 -0.040 -0.098	78.50
WRFI80X24	80	90	24	24.00 +0.149 +0.065	80.00 -0.060 -0.106	90.00 +0.087 +0.000	85.00 +0.087 +0.000	8.50 +0.098 +0.040	7.00 -0.040 -0.098	90.27
WRFI90X24	90	100	24	24.00 +0.149 +0.065	90.00 -0.072 -0.126	100.00 +0.087 +0.000	95.00 +0.087 +0.000	8.50 +0.098 +0.040	7.00 -0.040 -0.098	87.51

FORMERLY LISTED REPAIR PARTS ARE AVAILABLE ONLINE AT WWW.HERCULESUS.COM OR BY CONTACTING YOUR REGIONAL HERCULES SALES TEAM.

STYLE WRFI WEAR RINGS

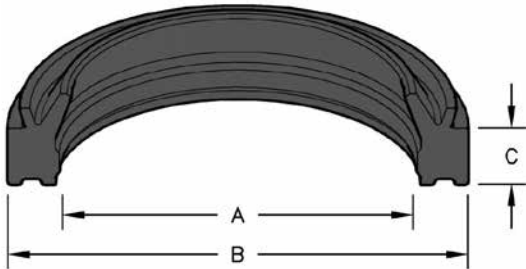
Part Number	A Nom. ID	B Nom. OD	C Nom. Ht	D GROOVE WIDTH	E ROD DIAMETER	G HOUSING DIAMETER	I ₁ PROTRUSION DIAMETER	D ₂ BASE GROOVE WIDTH	D ₃ PROTRUSION WIDTH	List Price
WRFI100X24	100	110	24	24.00 +0.149 +0.065	100.00 -0.072 -0.126	110.00 +0.087 +0.000	105.00 +0.087 +0.000	8.50 +0.098 +0.040	7.00 -0.040 -0.098	97.25
WRFI105X24	105	115	24	24.00 +0.149 +0.065	105.00 -0.072 -0.126	115.00 +0.087 +0.000	110.00 +0.087 +0.000	8.50 +0.098 +0.040	7.00 -0.040 -0.098	129.90
WRFI110X24	110	120	24	24.00 +0.149 +0.065	110.00 -0.072 -0.126	120.00 +0.087 +0.000	115.00 +0.087 +0.000	8.50 +0.098 +0.040	7.00 -0.040 -0.098	120.70
WRFI125X24	125	135	24	24.00 +0.149 +0.065	125.00 -0.085 -0.148	135.00 +0.10 +0.00	130.00 +0.10 +0.00	8.50 +0.098 +0.040	7.00 -0.040 -0.098	123.64
WRFI130X24	130	140	24	24.00 +0.149 +0.065	130.00 -0.085 -0.148	140.00 +0.10 +0.00	135.00 +0.10 +0.00	8.50 +0.098 +0.040	7.00 -0.040 -0.098	123.64
WRFI140X24	140	150	24	24.00 +0.149 +0.065	140.00 -0.085 -0.148	150.00 +0.10 +0.00	145.00 +0.10 +0.00	8.50 +0.098 +0.040	7.00 -0.040 -0.098	132.00
WRFI150X35	150	162	35	35.00 +0.18 +0.08	150.00 -0.085 -0.148	162.00 +0.10 +0.00	156.00 +0.10 +0.00	10.00 +0.098 +0.040	15.00 -0.05 -0.12	157.66
WRFI160X24	160	170	24	24.00 +0.149 +0.065	160.00 -0.085 -0.148	170.00 +0.10 +0.00	165.00 +0.10 +0.00	8.50 +0.098 +0.040	7.00 -0.040 -0.098	230.60
WRFI160X35	160	172	35	35.00 +0.18 +0.08	160.00 -0.085 -0.148	172.00 +0.10 +0.00	166.00 +0.10 +0.00	10.00 +0.098 +0.040	15.00 -0.05 -0.12	234.26
WRFI180X24	180	190	24	24.00 +0.149 +0.065	180.00 -0.085 -0.148	190.00 +0.115 +0.000	185.00 +0.115 +0.000	8.50 +0.098 +0.040	7.00 -0.040 -0.098	277.82
WRFI180X35	180	192	35	35.00 +0.18 +0.08	180.00 -0.085 -0.148	192.00 +0.115 +0.000	186.00 +0.115 +0.000	10.00 +0.098 +0.040	15.00 -0.05 -0.12	272.28
WRFI200X35	200	212	35	35.00 +0.18 +0.08	200.00 -0.100 -0.172	212.00 +0.115 +0.000	206.00 +0.115 +0.000	10.00 +0.098 +0.040	15.00 -0.05 -0.12	308.37

WEAR RINGS

STYLE MSWP SNAP-IN WIPERS



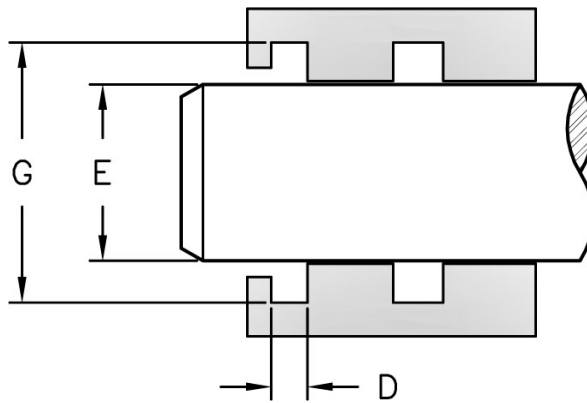
This wiper features a lip on top of the shoulder which makes contact with the throat of the groove. This serves to prevent contaminants from entering the groove.



HERCULES PART NUMBERS

MSWP - 20 X 28 X 4
 Type of Seal Inside Diameter Outside Diameter Height

SEAL INFORMATION	
MATERIAL	URETHANE
TEMPERATURE RANGE	-30° TO +220° F
SPEED	3 FT/SEC



WIPER RINGS

Part Number	A Nom. ID	B Nom. OD	C Nom. Ht	D GROOVE WIDTH	E ROD DIAMETER	G HOUSING DIAMETER	List Price
MSWP-20X28X4	20	28	4	4.00 ^{+0.20} _{+0.00}	20.00	28.00	\$10.34
MSWP-22X30X4	22	30	4	4.00 ^{+0.20} _{+0.00}	22.00	30.00	10.34
MSWP-25X33X4	25	33	4	4.00 ^{+0.20} _{+0.00}	25.00	33.00	10.34
MSWP-28X36X4	28	36	4	4.00 ^{+0.20} _{+0.00}	28.00	36.00	10.75
MSWP-30X38X4	30	38	4	4.00 ^{+0.20} _{+0.00}	30.00	38.00	11.18
MSWP-32X40X4	32	40	4	4.00 ^{+0.20} _{+0.00}	32.00	40.00	12.07
MSWP-32X40X5	32	40	5	5.00 ^{+0.20} _{+0.00}	32.00	40.00	11.08
MSWP-35X43X4	35	43	4	4.00 ^{+0.20} _{+0.00}	35.00	43.00	12.07
MSWP-36X44X4	36	44	4	4.00 ^{+0.20} _{+0.00}	36.00	44.00	12.45
MSWP-40X48X4	40	48	4	4.00 ^{+0.20} _{+0.00}	40.00	48.00	12.71
MSWP-40X48X5	40	48	5	5.00 ^{+0.20} _{+0.00}	40.00	48.00	12.71
MSWP-45X53X4	45	53	4	4.00 ^{+0.20} _{+0.00}	45.00	53.00	13.24
MSWP-50X58X4	50	58	4	4.00 ^{+0.20} _{+0.00}	50.00	58.00	14.83
MSWP-50X58X5	50	58	5	5.00 ^{+0.20} _{+0.00}	50.00	58.00	14.83
MSWP-55X63X4	55	63	4	4.00 ^{+0.20} _{+0.00}	55.00	63.00	15.49
MSWP-56X64X4	56	64	4	4.00 ^{+0.20} _{+0.00}	56.00	64.00	15.49

STYLE MSWP SNAP-IN WIPERS

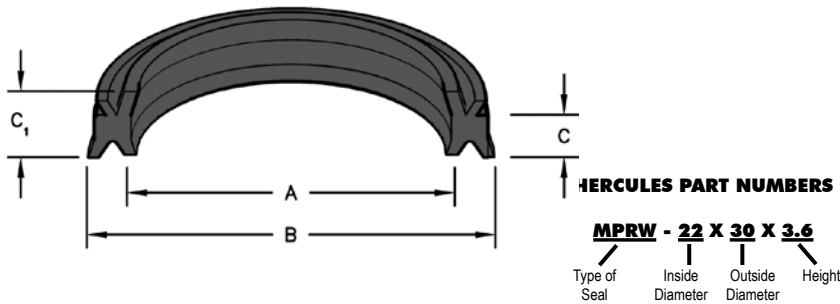
WIPER RINGS

Part Number	A Nom. ID	B Nom. OD	C Nom. Ht	D GROOVE WIDTH	E ROD DIAMETER	G HOUSING DIAMETER	List Price
MSWP-60X68X4	60	68	4	4.00 ^{+0.20} / _{+0.00}	60.00	68.00	16.63
MSWP-63X71X4	63	71	4	4.00 ^{+0.20} / _{+0.00}	63.00	71.00	19.08
MSWP-65X73X4	65	73	4	4.00 ^{+0.20} / _{+0.00}	65.00	73.00	21.89
MSWP-70X78X4	70	78	4	4.00 ^{+0.20} / _{+0.00}	70.00	78.00	22.65
MSWP-70X80X6.3	70	80	6.3	6.30 ^{+0.20} / _{+0.00}	70.00	80.00	23.69
MSWP-75X83X4	75	83	4	4.00 ^{+0.20} / _{+0.00}	75.00	83.00	18.26
MSWP-80X88X4	80	88	4	4.00 ^{+0.20} / _{+0.00}	80.00	88.00	21.44
MSWP-80X90X6.3	80	90	6.3	6.30 ^{+0.20} / _{+0.00}	80.00	90.00	24.67
MSWP-85X93X4	85	93	4	4.00 ^{+0.20} / _{+0.00}	85.00	93.00	20.17
MSWP-90X98X4	90	98	4	4.00 ^{+0.20} / _{+0.00}	90.00	98.00	20.84
MSWP-100X108X4	100	108	4	4.00 ^{+0.20} / _{+0.00}	100.00	108.00	23.26
MSWP-100X115X9.5	100	115	9.5	9.50 ^{+0.20} / _{+0.00}	100.00	115.00	46.50
MSWP-140X152X5.5	140	152	5.5	5.50 ^{+0.20} / _{+0.00}	140.00	152.00	64.38

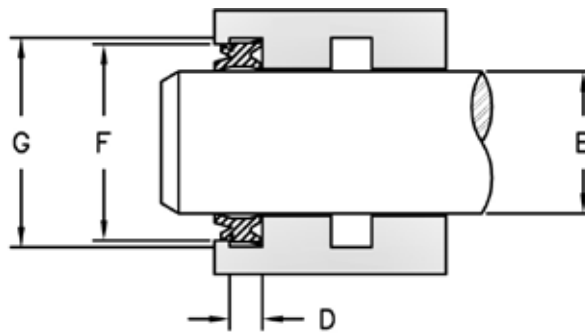
STYLE MPRW WIPERS



Double lip wiper with integrated pressure relief function incorporating special sealing and wiping edges.



SEAL INFORMATION	
MATERIAL	94A URETHANE
TEMPERATURE RANGE	-34° TO +255° F
SPEED	1.65 FT/SEC



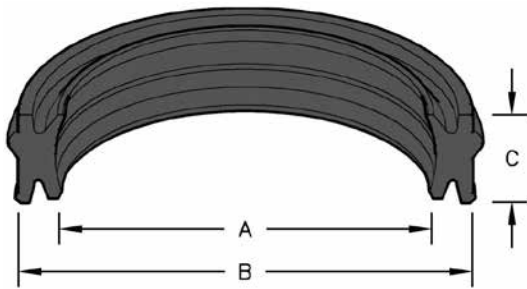
Part Number	A Nom. ID	B Nom. OD	C Nom. Ht	C ₁ OVERALL HEIGHT	D GROOVE WIDTH	E ROD DIAMETER	F THROAT DIAMETER	G HOUSING DIAMETER	List Price
MPRW-22X30X3.6	22	30	3.6	7.00	4.00 ^{+0.20} _{+0.00}	22.00	28.00 ^{+0.084} _{+0.000}	30.00 ^{+0.084} _{+0.000}	\$12.97
MPRW-25X33X3.6	25	33	3.6	7.00	4.00 ^{+0.20} _{+0.00}	25.00	31.00 ^{+0.10} _{+0.00}	33.00 ^{+0.10} _{+0.00}	14.51
MPRW-28X36X3.6	28	36	3.6	7.00	4.00 ^{+0.20} _{+0.00}	28.00	34.00 ^{+0.10} _{+0.00}	36.00 ^{+0.10} _{+0.00}	16.25
MPRW-30X38X3.6	30	38	3.6	7.00	4.00 ^{+0.20} _{+0.00}	30.00	36.00 ^{+0.10} _{+0.00}	38.00 ^{+0.10} _{+0.00}	15.20
MPRW-32X40X3.6	32	40	3.6	7.00	4.00 ^{+0.20} _{+0.00}	32.00	38.00 ^{+0.10} _{+0.00}	40.00 ^{+0.10} _{+0.00}	15.20
MPRW-35X43X3.6	35	43	3.6	7.00	4.00 ^{+0.20} _{+0.00}	35.00	41.00 ^{+0.10} _{+0.00}	43.00 ^{+0.10} _{+0.00}	15.75
MPRW-38X46X3.6	38	46	3.6	7.00	4.00 ^{+0.20} _{+0.00}	38.00	44.00 ^{+0.10} _{+0.00}	46.00 ^{+0.10} _{+0.00}	16.53
MPRW-40X48X3.6	40	48	3.6	7.00	4.00 ^{+0.20} _{+0.00}	40.00	46.00 ^{+0.10} _{+0.00}	48.00 ^{+0.10} _{+0.00}	16.53
MPRW-42X52X5.5	42	52	5.5	8.20	5.80 ^{+0.20} _{+0.00}	42.00 ^{+0.10} _{+0.00}	46.00 ^{+0.10} _{+0.00}	52.00 ^{+0.12} _{+0.00}	23.02
MPRW-43X51X3.6	43	51	3.6	7.00	4.00 ^{+0.20} _{+0.00}	43.00	49.00 ^{+0.10} _{+0.00}	51.00 ^{+0.12} _{+0.00}	19.20
MPRW-48X58X6	48	58	6	9.00	6.30 ^{+0.20} _{+0.00}	48.00	55.00 ^{+0.12} _{+0.00}	58.00 ^{+0.12} _{+0.00}	21.00
MPRW-50X58X3.6	50	58	3.6	7.00	4.00 ^{+0.20} _{+0.00}	50.00	56.00 ^{+0.12} _{+0.00}	58.00 ^{+0.12} _{+0.00}	21.00
MPRW-50X60X6	50	60	6	9.00	6.30 ^{+0.20} _{+0.00}	50.00	57.00 ^{+0.12} _{+0.00}	60.00 ^{+0.12} _{+0.00}	21.00
MPRW-51X61X5.4	51	61	5.4	8.20	5.70 ^{+0.20} _{+0.00}	51.00 ^{+0.12} _{+0.00}	55.00 ^{+0.10} _{+0.00}	61.00 ^{+0.12} _{+0.00}	21.54
MPRW-55X63X3.6	55	63	3.6	7.00	4.00 ^{+0.20} _{+0.00}	55.00	61.00 ^{+0.12} _{+0.00}	63.00 ^{+0.12} _{+0.00}	22.09
MPRW-55X65X5.5	55	65	5.5	8.20	5.80 ^{+0.20} _{+0.00}	55.00 ^{+0.12} _{+0.00}	59.00 ^{+0.10} _{+0.00}	65.00 ^{+0.12} _{+0.00}	21.29
MPRW-60X70X6	60	70	6	9.00	6.30 ^{+0.20} _{+0.00}	60.00	67.00 ^{+0.12} _{+0.00}	70.00 ^{+0.12} _{+0.00}	23.23

Seal color may vary. Special order sizes are available. Please call your regional sales team for assistance.



STYLE MK51 WIPERS

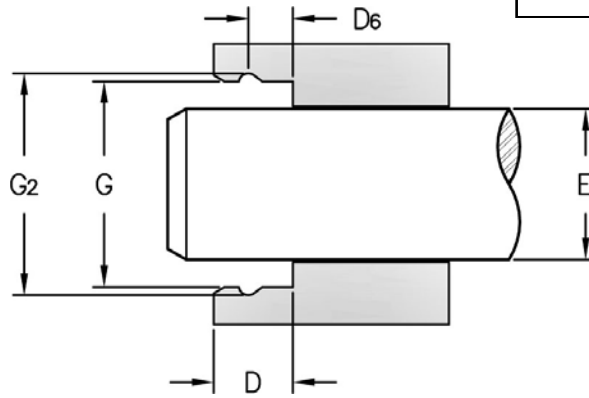
MK51 is a polyurethane pneumatic combo seal that is used as both a rod seal and wiper.



HERCULES PART NUMBERS

MK51 - 12 X 22 X 10.4
Type of Seal Inside Diameter Outside Diameter Height

SEAL INFORMATION	
MATERIAL	92A POLYURETHANE
TEMPERATURE RANGE	-22° F, +200° F
MAXIMUM PRESSURE	230 PSI
SPEED	3 FT/SEC



WIPER RINGS

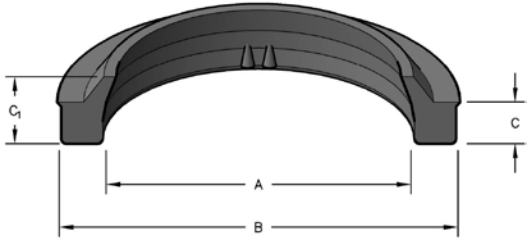
Part Number	A Nom. ID	B Nom. OD	C Nom. Ht	D GROOVE WIDTH	E ROD DIAMETER	G HOUSING DIAMETER	G ₂ HOOK HOUSING DIAMETER	D ₆	List Price
MK51-12X22X10.4	12	22	10.4	13.00 +0.50 +0.00	12.00 -0.016 -0.059	22.00 +0.084 +0.000	24.20 ±0.10	7.70 +0.20 +0.00	\$14.33
MK51-16X26X10.4	16	26	10.4	13.00 +0.50 +0.00	16.00 -0.016 -0.059	26.00 +0.084 +0.000	28.20 ±0.10	7.70 +0.20 +0.00	14.62
MK51-18X28X10.4	18	28	10.4	13.00 +0.50 +0.00	18.00 -0.016 -0.059	28.00 +0.084 +0.000	30.20 ±0.10	7.70 +0.20 +0.00	15.09
MK51-20X30X10.4	20	30	10.4	13.00 +0.50 +0.00	20.00 -0.020 -0.072	30.00 +0.084 +0.000	32.20 ±0.10	7.70 +0.20 +0.00	16.43
MK51-25X35X10.4	25	35	10.4	13.00 +0.50 +0.00	25.00 -0.020 -0.072	35.00 +0.10 +0.00	37.80 ±0.10	8.00 +0.20 +0.00	17.57
MK51-32X42X10.4	32	42	10.4	13.00 +0.50 +0.00	32.00 -0.025 -0.087	42.00 +0.10 +0.00	44.80 ±0.10	8.00 +0.20 +0.00	19.18
MK51-40X50X10.4	40	50	10.4	13.00 +0.50 +0.00	40.00 -0.025 -0.087	50.00 +0.10 +0.00	52.80 ±0.10	8.00 +0.20 +0.00	26.34
MK51-50X60X10.4	50	60	10.4	13.00 +0.50 +0.00	50.00 -0.025 -0.087	60.00 +0.12 +0.00	63.60 ±0.10	8.60 +0.20 +0.00	28.71

Seal color may vary. Special order sizes are available. Please call your regional sales team for assistance.

STYLE MW38 SNAP-IN WIPERS



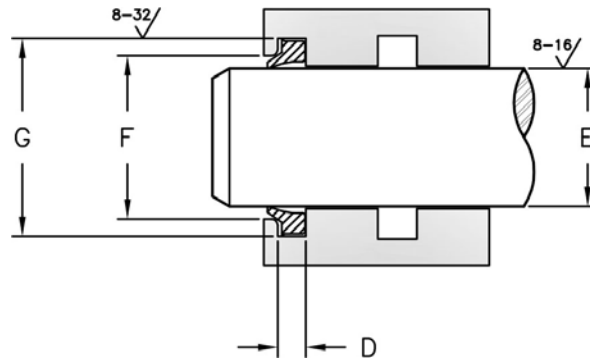
The style MW38 wiper is made from tough abrasion resistant polyester based material for difficult conditions found in mining and earth moving applications. It incorporates a sealing lip on the outside diameter to prevent moisture entering the groove.



HERCULES PART NUMBERS

MW38 - 20 X 28 X 5
 Type of Seal Inside Diameter Outside Diameter Height

SEAL INFORMATION	
MATERIAL	55D POLYESTER
TEMPERATURE RANGE	-40° TO +250° F
SPEED	12 FT/SEC



Part Number	A Nom. ID	B Nom. OD	C Nom. Ht	C ₁ OVERALL HEIGHT	D GROOVE WIDTH	E ROD DIAMETER	F THROAT DIAMETER	G HOUSING DIAMETER	List Price
MW38-20X28X5	20	28	5	8.00	5.00 ^{+0.20} / _{+0.00}	20.00 ^{-0.020} / _{-0.072}	25.50 ^{+0.13} / _{+0.00}	28.00 ^{+0.13} / _{+0.00}	\$17.50
MW38-22X30X5	22	30	5	8.00	5.00 ^{+0.20} / _{+0.00}	22.00 ^{-0.020} / _{-0.072}	27.50 ^{+0.13} / _{+0.00}	30.00 ^{+0.13} / _{+0.00}	17.80
MW38-25X33X5	25	33	5	8.00	5.00 ^{+0.20} / _{+0.00}	25.00 ^{-0.020} / _{-0.072}	30.50 ^{+0.16} / _{+0.00}	33.00 ^{+0.16} / _{+0.00}	18.66
MW38-28X36X5	28	36	5	8.00	5.00 ^{+0.20} / _{+0.00}	28.00 ^{-0.020} / _{-0.072}	33.50 ^{+0.16} / _{+0.00}	36.00 ^{+0.16} / _{+0.00}	19.33
MW38-30X38X5	30	38	5	8.00	5.00 ^{+0.20} / _{+0.00}	30.00 ^{-0.020} / _{-0.072}	35.50 ^{+0.16} / _{+0.00}	38.00 ^{+0.16} / _{+0.00}	19.80
MW38-32X40X5	32	40	5	8.00	5.00 ^{+0.20} / _{+0.00}	32.00 ^{-0.025} / _{-0.087}	37.50 ^{+0.16} / _{+0.00}	40.00 ^{+0.16} / _{+0.00}	20.44
MW38-35X43X5	35	43	5	8.00	5.00 ^{+0.20} / _{+0.00}	35.00 ^{-0.025} / _{-0.087}	40.50 ^{+0.16} / _{+0.00}	43.00 ^{+0.16} / _{+0.00}	20.54
MW38-36X44X5	36	44	5	8.00	5.00 ^{+0.20} / _{+0.00}	36.00 ^{-0.025} / _{-0.087}	41.50 ^{+0.16} / _{+0.00}	44.00 ^{+0.16} / _{+0.00}	20.72
MW38-40X48X5	40	48	5	8.00	5.00 ^{+0.20} / _{+0.00}	40.00 ^{-0.025} / _{-0.087}	45.50 ^{+0.16} / _{+0.00}	48.00 ^{+0.16} / _{+0.00}	21.09
MW38-45X53X5	45	53	4.5	12.00	5.00 ^{+0.00} / _{-0.20}	45.00 ^{-0.025} / _{-0.087}	50.50 ^{+0.19} / _{+0.00}	53.00 ^{+0.19} / _{+0.00}	22.06
MW38-45X55.6X5.3	45	55.6	5.3	7.00	5.30 ^{+0.20} / _{+0.00}	45.00 ^{-0.025} / _{-0.087}	48.00 ^{+0.16} / _{+0.00}	55.60 ^{+0.19} / _{+0.00}	22.24
MW38-50X58X5	50	58	5	8.00	5.00 ^{+0.20} / _{+0.00}	50.00 ^{-0.025} / _{-0.087}	55.50 ^{+0.19} / _{+0.00}	58.00 ^{+0.19} / _{+0.00}	22.34
MW38-50X58.6X5.3	50	58.6	5.3	7.00	5.30 ^{+0.20} / _{+0.00}	50.00 ^{-0.025} / _{-0.087}	53.00 ^{+0.19} / _{+0.00}	58.60 ^{+0.19} / _{+0.00}	22.34
MW38-50X60.6X5.3	50	60.6	5.3	7.00	5.30 ^{+0.20} / _{+0.00}	50.00 ^{-0.025} / _{-0.087}	53.00 ^{+0.19} / _{+0.00}	60.60 ^{+0.19} / _{+0.00}	22.99
MW38-55X65.6X5.3	55	65.6	5.3	7.00	5.30 ^{+0.20} / _{+0.00}	55.00 ^{-0.030} / _{-0.104}	58.00 ^{+0.19} / _{+0.00}	65.60 ^{+0.19} / _{+0.00}	24.96
MW38-56X66X6.3	56	66	6.3	10.00	6.30 ^{+0.20} / _{+0.00}	56.00 ^{-0.030} / _{-0.104}	63.00 ^{+0.19} / _{+0.00}	66.00 ^{+0.19} / _{+0.00}	21.77

WIPER RINGS

STYLE MW38 SNAP-IN WIPERS

WIPER RINGS

Part Number	A Nom. ID	B Nom. OD	C Nom. Ht	C ₁ OVERALL HEIGHT	D GROOVE WIDTH	E ROD DIAMETER	F THROAT DIAMETER	G HOUSING DIAMETER	List Price
MW38-60X70X5.3	60	70	5.3	7.00	5.30 ^{+0.20} / _{+0.00}	60.00 ^{-0.030} / _{-0.104}	66.00 ^{+0.19} / _{+0.00}	70.00 ^{+0.19} / _{+0.00}	25.54
MW38-60X70X6.3	60	70	6.3	10.00	6.30 ^{+0.20} / _{+0.00}	60.00 ^{-0.030} / _{-0.104}	67.00 ^{+0.19} / _{+0.00}	70.00 ^{+0.19} / _{+0.00}	26.10
MW38-63X73X6.3	63	73	6.3	10.00	6.30 ^{+0.20} / _{+0.00}	63.00 ^{-0.030} / _{-0.104}	70.00 ^{+0.19} / _{+0.00}	73.00 ^{+0.19} / _{+0.00}	22.62
MW38-63X73.6X5.3	63	73.6	5.3	7.00	5.30 ^{+0.20} / _{+0.00}	63.00 ^{-0.030} / _{-0.104}	66.00 ^{+0.19} / _{+0.00}	73.60 ^{+0.19} / _{+0.00}	26.47
MW38-65X75X6.3	65	75	6.3	10.00	6.30 ^{+0.20} / _{+0.00}	65.00 ^{-0.030} / _{-0.104}	72.00 ^{+0.19} / _{+0.00}	75.00 ^{+0.19} / _{+0.00}	28.37
MW38-70X80X6.3	70	80	6.3	10.00	6.30 ^{+0.20} / _{+0.00}	70.00 ^{-0.030} / _{-0.104}	77.00 ^{+0.19} / _{+0.00}	80.00 ^{+0.19} / _{+0.00}	30.52
MW38-70X80.6X5.3	70	80.6	5.3	7.00	5.30 ^{+0.20} / _{+0.00}	70.00 ^{-0.030} / _{-0.104}	73.00 ^{+0.19} / _{+0.00}	80.60 ^{+0.22} / _{+0.00}	30.52
MW38-70X82.2X7.2	70	82.2	7.2	12.00	7.20 ^{+0.20} / _{+0.00}	70.00 ^{-0.030} / _{-0.104}	76.00 ^{+0.19} / _{+0.00}	82.20 ^{+0.22} / _{+0.00}	31.48
MW38-75X83.6X5.3	75	83.6	5.3	7.00	5.30 ^{+0.20} / _{+0.00}	75.00 ^{-0.030} / _{-0.104}	78.00 ^{+0.19} / _{+0.00}	83.60 ^{+0.22} / _{+0.00}	32.89
MW38-75X85X6.3	75	85	6.3	10.00	6.30 ^{+0.20} / _{+0.00}	75.00 ^{-0.030} / _{-0.104}	82.00 ^{+0.22} / _{+0.00}	85.00 ^{+0.22} / _{+0.00}	37.20
MW38-80X90X6.3	80	90	6.3	10.00	6.30 ^{+0.20} / _{+0.00}	80.00 ^{-0.030} / _{-0.104}	87.00 ^{+0.22} / _{+0.00}	90.00 ^{+0.22} / _{+0.00}	34.10
MW38-80X92.2X7.2	80	92.2	7.2	12.00	7.20 ^{+0.20} / _{+0.00}	80.00 ^{-0.030} / _{-0.104}	86.00 ^{+0.22} / _{+0.00}	92.20 ^{+0.22} / _{+0.00}	34.67
MW38-90X100X6.3	90	100	6.3	10.00	6.30 ^{+0.20} / _{+0.00}	90.00 ^{-0.036} / _{-0.123}	97.00 ^{+0.22} / _{+0.00}	100.00 ^{+0.22} / _{+0.00}	25.25
MW38-90X102.2X7.2	90	102.2	7.2	12.00	7.20 ^{+0.20} / _{+0.00}	90.00 ^{-0.036} / _{-0.123}	96.00 ^{+0.22} / _{+0.00}	102.20 ^{+0.22} / _{+0.00}	35.41
MW38-95X107.2X7.2	95	107.2	7.2	12.00	7.20 ^{+0.20} / _{+0.00}	95.00 ^{-0.036} / _{-0.123}	101.00 ^{+0.22} / _{+0.00}	107.20 ^{+0.22} / _{+0.00}	37.78
MW38-100X110.6X5.3	100	110.6	5.3	7.00	5.30 ^{+0.20} / _{+0.00}	100.00 ^{-0.036} / _{-0.123}	104.00 ^{+0.22} / _{+0.00}	110.60 ^{+0.22} / _{+0.00}	38.71
MW38-100X112.2X7.2	100	112.2	7.2	12.00	7.20 ^{+0.20} / _{+0.00}	100.00 ^{-0.036} / _{-0.123}	106.00 ^{+0.22} / _{+0.00}	112.20 ^{+0.22} / _{+0.00}	40.05
MW38-100X115X9.5	100	115	9.5	14.00	9.50 ^{+0.20} / _{+0.00}	100.00 ^{-0.036} / _{-0.123}	110.00 ^{+0.22} / _{+0.00}	115.00 ^{+0.22} / _{+0.00}	42.02
MW38-110X122.2X7.2	110	122.2	7.2	12.00	7.20 ^{+0.20} / _{+0.00}	110.00 ^{-0.036} / _{-0.123}	116.00 ^{+0.22} / _{+0.00}	122.20 ^{+0.25} / _{+0.00}	53.97
MW38-110X125X9.5	110	125	9.5	14.00	9.50 ^{+0.20} / _{+0.00}	110.00 ^{-0.036} / _{-0.123}	120.00 ^{+0.22} / _{+0.00}	125.00 ^{+0.25} / _{+0.00}	53.97
MW38-115X127.2X7.2	115	127.2	7.2	12.00	7.20 ^{+0.20} / _{+0.00}	115.00 ^{-0.036} / _{-0.123}	121.00 ^{+0.25} / _{+0.00}	127.20 ^{+0.25} / _{+0.00}	56.25
MW38-120X132.2X7.2	120	132.2	7.2	12.00	7.20 ^{+0.20} / _{+0.00}	120.00 ^{-0.036} / _{-0.123}	126.00 ^{+0.25} / _{+0.00}	132.20 ^{+0.25} / _{+0.00}	56.99
MW38-120X135X9.5	120	135	9.5	14.00	9.50 ^{+0.20} / _{+0.00}	120.00 ^{-0.036} / _{-0.123}	130.00 ^{+0.25} / _{+0.00}	135.00 ^{+0.25} / _{+0.00}	63.11
MW38-125X137.2X7.7	125	137.2	7.7	12.00	7.70 ^{+0.20} / _{+0.00}	125.00 ^{-0.043} / _{-0.143}	131.00 ^{+0.25} / _{+0.00}	137.20 ^{+0.25} / _{+0.00}	58.89
MW38-125X140X9.5	125	140	9.5	14.00	9.50 ^{+0.20} / _{+0.00}	125.00 ^{-0.043} / _{-0.143}	135.00 ^{+0.25} / _{+0.00}	140.00 ^{+0.25} / _{+0.00}	58.89
MW38-130X142.2X7.2	130	142.2	7.2	12.00	7.20 ^{+0.20} / _{+0.00}	130.00 ^{-0.043} / _{-0.143}	136.00 ^{+0.25} / _{+0.00}	142.20 ^{+0.25} / _{+0.00}	62.27
MW38-140X152.2X7.7	140	152.2	7.7	12.00	7.70 ^{+0.20} / _{+0.00}	140.00 ^{-0.043} / _{-0.143}	146.00 ^{+0.25} / _{+0.00}	152.20 ^{+0.25} / _{+0.00}	68.58
MW38-140X155X9.5	140	155	9.5	14.00	9.50 ^{+0.20} / _{+0.00}	140.00 ^{-0.043} / _{-0.143}	150.00 ^{+0.25} / _{+0.00}	155.00 ^{+0.25} / _{+0.00}	70.57
MW38-150X162.2X7.7	150	162.2	7.7	12.00	7.70 ^{+0.20} / _{+0.00}	150.00 ^{-0.043} / _{-0.143}	156.00 ^{+0.25} / _{+0.00}	162.20 ^{+0.25} / _{+0.00}	80.27
MW38-160X175X9.5	160	175	9.5	14.00	9.50 ^{+0.20} / _{+0.00}	160.00 ^{-0.043} / _{-0.143}	170.00 ^{+0.25} / _{+0.00}	175.00 ^{+0.25} / _{+0.00}	83.10
MW38-170X182.2X7.7	170	182.2	7.7	12.00	7.70 ^{+0.20} / _{+0.00}	170.00 ^{-0.043} / _{-0.143}	176.00 ^{+0.25} / _{+0.00}	182.20 ^{+0.29} / _{+0.00}	86.12
MW38-180X195X9.5	180	195	9.5	14.00	9.50 ^{+0.20} / _{+0.00}	180.00 ^{-0.043} / _{-0.143}	190.00 ^{+0.29} / _{+0.00}	195.00 ^{+0.29} / _{+0.00}	86.95
MW38-180X200X10.2	180	200	10.2	18.00	10.20 ^{+0.20} / _{+0.00}	180.00 ^{-0.043} / _{-0.143}	190.00 ^{+0.29} / _{+0.00}	200.00 ^{+0.29} / _{+0.00}	87.22

STYLE MW38 SNAP-IN WIPERS



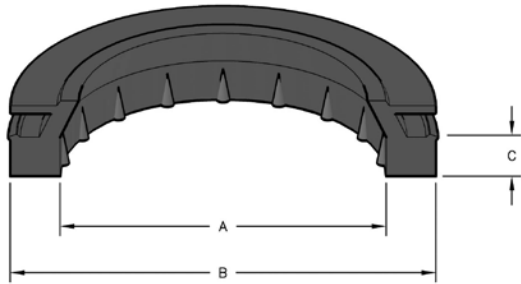
Part Number	A Nom. ID	B Nom. OD	C Nom. Ht	C ₁ OVERALL HEIGHT	D GROOVE WIDTH	E ROD DIAMETER	F THROAT DIAMETER	G HOUSING DIAMETER	List Price
MW38-200X215X9.5	200	215	9.5	14.00	9.50 ^{+0.20} / _{+0.00}	200.00 ^{-0.050} / _{-0.165}	210.00 ^{+0.29} / _{+0.00}	215.00 ^{+0.29} / _{+0.00}	94.86
MW38-200X220X10.2	200	220	10.2	18.00	10.20 ^{+0.20} / _{+0.00}	200.00 ^{-0.050} / _{-0.165}	210.00 ^{+0.29} / _{+0.00}	220.00 ^{+0.29} / _{+0.00}	96.00
MW38-210X230X10.2	210	230	10.2	18.00	10.20 ^{+0.20} / _{+0.00}	210.00 ^{-0.050} / _{-0.165}	220.00 ^{+0.29} / _{+0.00}	230.00 ^{+0.29} / _{+0.00}	102.04
MW38-220X240X12.5	220	240	12.5	18.00	12.50 ^{+0.20} / _{+0.00}	220.00 ^{-0.050} / _{-0.165}	233.50 ^{+0.29} / _{+0.00}	240.00 ^{+0.29} / _{+0.00}	128.49
MW38-240X260X10.2	240	260	10.2	18.00	10.20 ^{+0.20} / _{+0.00}	240.00 ^{-0.050} / _{-0.165}	250.00 ^{+0.29} / _{+0.00}	260.00 ^{+0.32} / _{+0.00}	148.28
MW38-250X270X10.2	250	270	10.2	18.00	10.20 ^{+0.20} / _{+0.00}	250.00 ^{-0.050} / _{-0.165}	260.00 ^{+0.32} / _{+0.00}	270.00 ^{+0.32} / _{+0.00}	144.26
MW38-260X275X9.5	260	275	9.5	14.00	9.50 ^{+0.20} / _{+0.00}	260.00 ^{-0.056} / _{-0.186}	270.00 ^{+0.32} / _{+0.00}	275.00 ^{+0.32} / _{+0.00}	150.63
MW38-260X280X10.2	260	280	10.2	18.00	10.20 ^{+0.20} / _{+0.00}	260.00 ^{-0.056} / _{-0.186}	270.50 ^{+0.32} / _{+0.00}	280.00 ^{+0.32} / _{+0.00}	166.35

WIPER RINGS



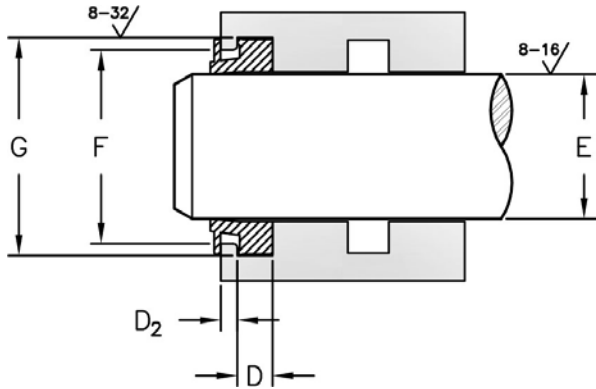
STYLE MSWE-XLF WIPERS

The MSWE-XLF was developed for harsh environments, particularly longwall mining. These wipers include a dust lip to prevent contaminants from entering through the groove. They also have a ribbed inside diameter for low friction option and to prevent pressure traps between the wiper and rod seal.



HERCULES PART NUMBERS

MSWE - 35 X 45 X 5.8-XLF
 Type of Seal Inside Diameter Outside Diameter Height



SEAL INFORMATION	
MATERIAL	93A URETHANE, 55D URETHANE (D SUFFIX)
TEMPERATURE RANGE	-50°F - +230°F 93A URETHANE -40°F - +212°F 55D URETHANE
MAXIMUM PRESSURE	-
SPEED	12 FT/SEC

WIPER RINGS

Part Number	A Nom. ID	B Nom. OD	C Nom. Ht	D GROOVE WIDTH	E ROD DIAMETER	F THROAT DIAMETER	G HOUSING DIAMETER	D ₂ OUTER THROAT DEPTH	List Price
MSWE-35X45X5.8-XLF	35	45	5.8	6.30 +0.20 +0.00	35.00 -0.025 -0.087	42.00 +0.16 +0.00	45.00 +0.16 +0.00	1.50 +0.10 +0.00	\$41.99
MSWE-40X48X4.5-XLF	40	48	4.5	5.00 +0.20 +0.00	40.00 -0.025 -0.087	45.50 +0.16 +0.00	48.00 +0.16 +0.00	1.50 +0.10 +0.00	38.94
MSWE-45X53X4.5-XLF	45	53	4.5	5.00 +0.20 +0.00	45.00 -0.025 -0.087	50.50 +0.19 +0.00	53.00 +0.19 +0.00	1.50 +0.10 +0.00	33.76
MSWE-50X58X4.5-XLF	50	58	4.5	5.00 +0.20 +0.00	50.00 -0.025 -0.087	55.50 +0.19 +0.00	58.00 +0.19 +0.00	1.50 +0.10 +0.00	34.54
MSWE-60X70X5.8-XLF	60	70	5.8	6.30 +0.20 +0.00	60.00 -0.030 -0.104	67.00 +0.19 +0.00	70.00 +0.19 +0.00	1.50 +0.10 +0.00	50.99
MSWE-70X82.6X7.5-XLF	70	82.6	7.5	8.00 +0.20 +0.00	70.00 -0.030 -0.104	78.40 +0.19 +0.00	82.60 +0.22 +0.00	2.00 +0.10 +0.00	62.73
MSWE-105X117.6X7.5-XLF	105	117.6	7.5	8.00 +0.20 +0.00	105.00 -0.036 -0.123	112.40 +0.22 +0.00	117.60 +0.22 +0.00	2.00 +0.10 +0.00	97.67
MSWE-105X120X9-XLF	105	120	9	9.50 +0.20 +0.00	105.00 -0.036 -0.123	115.00 +0.22 +0.00	120.00 +0.22 +0.00	2.50 +0.10 +0.00	73.17
MSWE-110X122.6X7.5-XLF	110	122.6	7.5	8.00 +0.20 +0.00	110.00 -0.036 -0.123	118.40 +0.22 +0.00	122.60 +0.25 +0.00	2.00 +0.10 +0.00	92.91
MSWE-110X128X6.5-XLFD	110	128	6.5	7.00 +0.20 +0.00	110.00 -0.036 -0.123	118.40 +0.22 +0.00	128.00 +0.25 +0.00	2.00 +0.10 +0.00	113.18
MSWE-120X135X9-XLF	120	135	9	9.50 +0.20 +0.00	120.00 -0.036 -0.123	130.00 +0.25 +0.00	135.00 +0.25 +0.00	2.00 +0.10 +0.00	122.62
MSWE-130X145X9-XLF	130	145	9	9.50 +0.20 +0.00	130.00 -0.043 -0.143	140.00 +0.25 +0.00	145.00 +0.25 +0.00	2.25 +0.10 +0.00	91.91
MSWE-170X184.4X7.3-XLF	170	184.4	7.3	7.80 +0.20 +0.00	170.00 -0.043 -0.143	177.85 +0.25 +0.00	184.40 +0.29 +0.00	2.90 +0.10 +0.00	327.23
MSWE-190X205X9-XLF	190	205	9	9.50 +0.20 +0.00	190.00 -0.050 -0.165	200.00 +0.29 +0.00	205.00 +0.29 +0.00	2.00 +0.10 +0.00	332.53
MSWE-265X290X9-XLFD	265	290	9	9.50 +0.20 +0.00	265.00 -0.056 -0.186	277.00 +0.32 +0.00	290.00 +0.32 +0.00	2.50 +0.10 +0.00	365.74

STYLE MSWE-XLF WIPERS

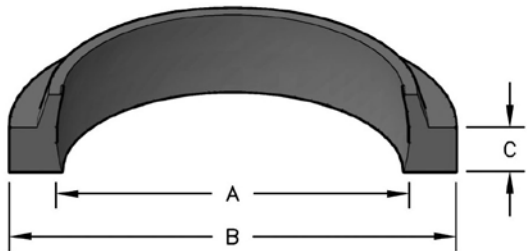


Part Number	A Nom. ID	B Nom. OD	C Nom. Ht	D GROOVE WIDTH	E ROD DIAMETER	F THROAT DIAMETER	G HOUSING DIAMETER	D ₂ OUTER THROAT DEPTH	List Price
MSWE-300X320X12-XLF	300	320	12	12.50 +0.20 +0.00	300.00 -0.056 -0.186	313.50 +0.32 +0.00	320.00 +0.36 +0.00	2.50 +0.10 +0.00	374.09
MSWE-380X405X9-XLFD	380	405	9	9.50 +0.20 +0.00	380.00 -0.062 -0.202	392.00 +0.36 +0.00	405.00 +0.40 +0.00	2.50 +0.10 +0.00	409.39

WIPER RINGS

STYLE MSWE SNAP-IN WIPERS

Molded in urethane, this wiper is flexible enough to easily snap into a groove yet tough enough to handle difficult rod wiping applications.



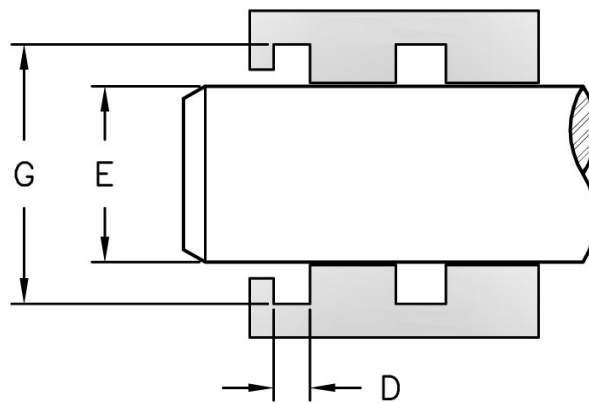
HERCULES PART NUMBERS

MSWE - 14 X 20 X 3.8
 Type of Seal Inside Diameter Outside Diameter Height

SEAL INFORMATION

MATERIAL	URETHANE
TEMPERATURE RANGE	-30° TO +200° F
SPEED	3 FT/SEC

NOTE: ME = Merkel Equivalent



WIPER RINGS

Part Number	A Nom. ID	B Nom. OD	C Nom. Ht	D GROOVE WIDTH	E ROD DIAMETER	G HOUSING DIAMETER	List Price
MSWE-14X20X3.8	14	20	3.8	4.00 ^{+0.20} / _{+0.00}	14.00 ^{-0.016} / _{-0.043}	20.00 ^{+0.084} / _{+0.000}	\$ 4.22
MSWE-16X22X3	16	22	3	3.10 ^{+0.20} / _{+0.00}	16.00 ^{-0.016} / _{-0.043}	22.00 ^{+0.084} / _{+0.000}	4.43
MSWE-18X24X3.5	18	24.6	3.5	3.60 ^{+0.20} / _{+0.00}	18.00 ^{-0.016} / _{-0.043}	24.60 ^{+0.084} / _{+0.000}	3.52
MSWE-20X26X3	20	26	3	3.10 ^{+0.20} / _{+0.00}	20.00 ^{-0.020} / _{-0.053}	26.00 ^{+0.084} / _{+0.000}	3.72
MSWE-20X28X5	20	28	5	5.10 ^{+0.20} / _{+0.00}	20.00 ^{-0.020} / _{-0.053}	28.00 ^{+0.084} / _{+0.000}	3.27
MSWE-22X30X5	22	30	5	5.10 ^{+0.20} / _{+0.00}	22.00 ^{-0.020} / _{-0.053}	30.00 ^{+0.084} / _{+0.000}	4.22
MSWE-25X33X5	25	33	5	5.10 ^{+0.20} / _{+0.00}	25.00 ^{-0.020} / _{-0.053}	33.00 ^{+0.10} / _{+0.00}	4.87
MSWE-28X36X5	28	36	5	5.30 ^{+0.20} / _{+0.00}	28.00 ^{-0.020} / _{-0.053}	36.00 ^{+0.10} / _{+0.00}	5.26
MSWE-30X38X5	30	38	5	5.10 ^{+0.20} / _{+0.00}	30.00 ^{-0.020} / _{-0.053}	38.00 ^{+0.10} / _{+0.00}	8.04
MSWE-30X38.6X4.6	30	38.6	4.6	4.70 ^{+0.20} / _{+0.00}	30.00 ^{-0.020} / _{-0.053}	38.60 ^{+0.10} / _{+0.00}	5.97
MSWE-32X40X5	32	40	5	5.10 ^{+0.20} / _{+0.00}	32.00 ^{-0.025} / _{-0.064}	40.00 ^{+0.10} / _{+0.00}	7.31
MSWE-35X43X5	35	43	5	5.30 ^{+0.20} / _{+0.00}	35.00 ^{-0.025} / _{-0.064}	43.60 ^{+0.20} / _{+0.00}	11.86
MSWE-36X44X5	36	44	5	5.10 ^{+0.20} / _{+0.00}	36.00 ^{-0.025} / _{-0.064}	44.00 ^{+0.10} / _{+0.00}	10.49
MSWE-40X48X5	40	48	5	5.10 ^{+0.20} / _{+0.00}	40.00 ^{-0.025} / _{-0.064}	48.00 ^{+0.10} / _{+0.00}	11.86
MSWE-40X50X5	40	50	5	5.10 ^{+0.20} / _{+0.00}	40.00 ^{-0.025} / _{-0.064}	50.00 ^{+0.10} / _{+0.00}	12.29
MSWE-40X50X7	40	50	7	7.10 ^{+0.20} / _{+0.00}	40.00 ^{-0.025} / _{-0.064}	50.00 ^{+0.10} / _{+0.00}	14.49

STYLE MSWE SNAP-IN WIPERS



Part Number	A Nom. ID	B Nom. OD	C Nom. Ht	D GROOVE WIDTH	E ROD DIAMETER	G HOUSING DIAMETER	List Price
MSWE-42X50X4	42	50	4	4.10 ^{+0.20} / _{+0.00}	42.00 ^{-0.025} / _{-0.064}	50.00 ^{+0.10} / _{+0.00}	9.36
MSWE-42X50X5	42	50	5	5.10 ^{+0.20} / _{+0.00}	42.00 ^{-0.025} / _{-0.064}	50.00 ^{+0.10} / _{+0.00}	10.66
MSWE-45X53X5	45	53	5	5.10 ^{+0.20} / _{+0.00}	45.00 ^{-0.025} / _{-0.064}	53.00 ^{+0.12} / _{+0.00}	10.38
MSWE-45X55X5	45	55	5	5.10 ^{+0.20} / _{+0.00}	45.00 ^{-0.025} / _{-0.064}	55.00 ^{+0.12} / _{+0.00}	10.62
MSWE-50X58X5	50	58	5	5.10 ^{+0.20} / _{+0.00}	50.00 ^{-0.025} / _{-0.064}	58.00 ^{+0.12} / _{+0.00}	12.35
MSWE-50X60X5	50	60	5	5.10 ^{+0.20} / _{+0.00}	50.00 ^{-0.025} / _{-0.064}	60.00 ^{+0.12} / _{+0.00}	13.15
MSWE-50X60X7	50	60	7	7.10 ^{+0.20} / _{+0.00}	50.00 ^{-0.025} / _{-0.064}	60.00 ^{+0.12} / _{+0.00}	17.05
MSWE-55X63X5	55	63	5	5.10 ^{+0.20} / _{+0.00}	55.00 ^{-0.030} / _{-0.076}	63.00 ^{+0.12} / _{+0.00}	16.87
MSWE-55X65X6	55	65	6	6.10 ^{+0.20} / _{+0.00}	55.00 ^{-0.030} / _{-0.076}	65.00 ^{+0.12} / _{+0.00}	16.91
MSWE-56X64X5	56	64	5	5.10 ^{+0.20} / _{+0.00}	56.00 ^{-0.030} / _{-0.076}	64.00 ^{+0.12} / _{+0.00}	13.15
MSWE-60X68X5	60	68	5	5.10 ^{+0.20} / _{+0.00}	60.00 ^{-0.030} / _{-0.076}	68.00 ^{+0.12} / _{+0.00}	13.17
MSWE-60X70X7	60	70	7	7.10 ^{+0.20} / _{+0.00}	60.00 ^{-0.030} / _{-0.076}	70.00 ^{+0.12} / _{+0.00}	20.04
MSWE-60X70.6X5.1-ME	60	70.6	5.1	5.30 ^{+0.20} / _{+0.00}	60.00 ^{-0.030} / _{-0.076}	70.60 ^{+0.12} / _{+0.00}	11.66
MSWE-63X71X5	63	71	5	5.10 ^{+0.20} / _{+0.00}	63.00 ^{-0.030} / _{-0.076}	71.00 ^{+0.12} / _{+0.00}	14.55
MSWE-63X73X6.3	63	73	6.3	6.40 ^{+0.20} / _{+0.00}	63.00 ^{-0.030} / _{-0.076}	73.00 ^{+0.12} / _{+0.00}	24.66
MSWE-65X73X5	65	73	5	5.10 ^{+0.20} / _{+0.00}	65.00 ^{-0.030} / _{-0.076}	73.00 ^{+0.12} / _{+0.00}	14.95
MSWE-65X75X7	65	75	7	7.10 ^{+0.20} / _{+0.00}	65.00 ^{-0.030} / _{-0.076}	75.00 ^{+0.12} / _{+0.00}	22.87
MSWE-70X82X7	70	82	7	7.10 ^{+0.20} / _{+0.00}	70.00 ^{-0.030} / _{-0.076}	82.00 ^{+0.14} / _{+0.00}	9.96
MSWE-75X83X5	75	83	5	5.10 ^{+0.20} / _{+0.00}	75.00 ^{-0.030} / _{-0.076}	83.00 ^{+0.14} / _{+0.00}	15.99
MSWE-75X85X6	75	85	6	6.10 ^{+0.20} / _{+0.00}	75.00 ^{-0.030} / _{-0.076}	85.00 ^{+0.14} / _{+0.00}	35.64
MSWE-75X87.2X7.2-ME	75	87.2	7	7.20 ^{+0.20} / _{+0.00}	75.00 ^{-0.030} / _{-0.076}	87.20 ^{+0.14} / _{+0.00}	16.71
MSWE-78X88X5	78	88	5	5.10 ^{+0.20} / _{+0.00}	78.00 ^{-0.030} / _{-0.076}	88.00 ^{+0.14} / _{+0.00}	19.19
MSWE-80X88X5	80	88	5	5.10 ^{+0.20} / _{+0.00}	80.00 ^{-0.030} / _{-0.076}	88.00 ^{+0.14} / _{+0.00}	16.56
MSWE-80X90X6	80	90	6	6.20 ^{+0.20} / _{+0.00}	80.00 ^{-0.030} / _{-0.076}	90.00 ^{+0.14} / _{+0.00}	10.28
MSWE-80X92X7	80	92	7	7.10 ^{+0.20} / _{+0.00}	80.00 ^{-0.030} / _{-0.076}	92.00 ^{+0.14} / _{+0.00}	16.84
MSWE-85X93X5	85	93	5	5.10 ^{+0.20} / _{+0.00}	85.00 ^{-0.036} / _{-0.090}	93.00 ^{+0.14} / _{+0.00}	17.16
MSWE-85X97X7	85	97	7	7.20 ^{+0.20} / _{+0.00}	85.00 ^{-0.036} / _{-0.090}	97.20 ^{+0.14} / _{+0.00}	5.52
MSWE-90X98X5	90	98	5	5.10 ^{+0.20} / _{+0.00}	90.00 ^{-0.036} / _{-0.090}	98.00 ^{+0.14} / _{+0.00}	17.48
MSWE-90X100X6.3	90	100	6.3	6.40 ^{+0.20} / _{+0.00}	90.00 ^{-0.036} / _{-0.090}	100.00 ^{+0.14} / _{+0.00}	19.92
MSWE-90X102X7	90	102	7	7.10 ^{+0.20} / _{+0.00}	90.00 ^{-0.036} / _{-0.090}	102.00 ^{+0.14} / _{+0.00}	11.51
MSWE-95X107X7	95	107	7	7.10 ^{+0.20} / _{+0.00}	95.00 ^{-0.036} / _{-0.090}	107.00 ^{+0.14} / _{+0.00}	19.78
MSWE-99X109X5	99	109	5	5.10 ^{+0.20} / _{+0.00}	99.00 ^{-0.036} / _{-0.090}	109.00 ^{+0.14} / _{+0.00}	21.61
MSWE-100X115X9.5	100	115	9.5	9.50 ^{+0.20} / _{+0.00}	100.00 ^{-0.036} / _{-0.090}	115.00 ^{+0.14} / _{+0.00}	34.84

WIPER RINGS

STYLE MSWE SNAP-IN WIPERS

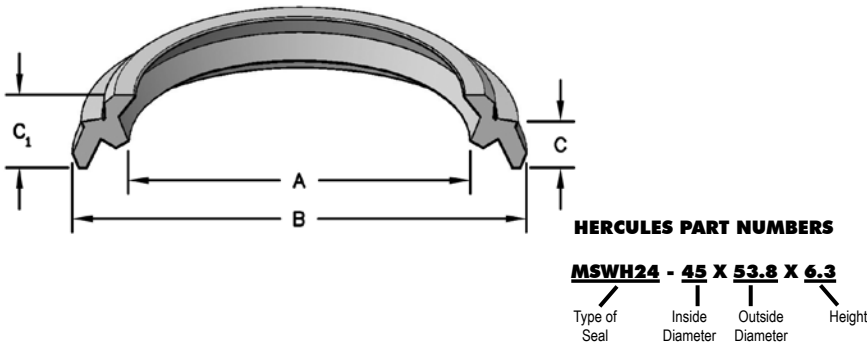
WIPER RINGS

Part Number	A Nom. ID	B Nom. OD	C Nom. Ht	D GROOVE WIDTH	E ROD DIAMETER	G HOUSING DIAMETER	List Price
MSWE-105X113X5	105	113.6	5	5.30 +0.20 +0.00	105.00 -0.036 -0.090	113.60 +0.14 +0.00	33.38
MSWE-105X117.2X7	105	117.2	7	7.10 +0.20 +0.00	105.00 -0.036 -0.090	117.20 +0.14 +0.00	18.13
MSWE-110X122X7	110	122	7	7.10 +0.20 +0.00	110.00 -0.036 -0.090	122.00 +0.16 +0.00	19.80
MSWE-115X127X7	115	127	7	7.10 +0.20 +0.00	115.00 -0.036 -0.090	127.00 +0.16 +0.00	19.80
MSWE-118X128X6	118	128	6	7.00 +0.30 +0.00	118.00 -0.036 -0.090	128.00 +0.16 +0.00	43.68
MSWE-120X128X5	120	128	5	5.10 +0.20 +0.00	120.00 -0.036 -0.090	128.00 +0.16 +0.00	23.10
MSWE-120X130X5	120	130	5	5.10 +0.20 +0.00	120.00 -0.036 -0.090	130.00 +0.16 +0.00	25.61
MSWE-120X132X7	120	132	7	7.10 +0.20 +0.00	120.00 -0.036 -0.090	132.00 +0.16 +0.00	19.80
MSWE-125X137X7	125	137	7	7.10 +0.20 +0.00	125.00 -0.043 -0.106	137.00 +0.16 +0.00	22.45
MSWE-130X142X7	130	142	7	7.10 +0.20 +0.00	130.00 -0.043 -0.106	142.00 +0.16 +0.00	22.45
MSWE-140X148X5	140	148	5	5.10 +0.20 +0.00	140.00 -0.043 -0.106	148.00 +0.16 +0.00	43.41
MSWE-140X152X7	140	152	7	7.10 +0.20 +0.00	140.00 -0.043 -0.106	152.00 +0.16 +0.00	21.68
MSWE-140X155X10	140	155	10	10.20 +0.20 +0.00	140.00 -0.043 -0.106	155.00 +0.16 +0.00	83.13
MSWE-141X151X5	141	151	5	5.10 +0.20 +0.00	141.00 -0.043 -0.106	151.00 +0.16 +0.00	26.66
MSWE-150X162X7	150	162	7	7.10 +0.20 +0.00	150.00 -0.043 -0.106	162.00 +0.16 +0.00	27.17
MSWE-155X168X7	155	168	7	8.00 +0.30 +0.00	155.00 -0.043 -0.106	168.00 +0.16 +0.00	190.57
MSWE-160X168X5	160	168	5	5.10 +0.20 +0.00	160.00 -0.043 -0.106	168.00 +0.16 +0.00	28.29
MSWE-160X175X10	160	175	10	10.10 +0.20 +0.00	160.00 -0.043 -0.106	175.00 +0.16 +0.00	22.45
MSWE-160X179X9	160	179	9	9.10 +0.20 +0.00	160.00 -0.043 -0.106	179.00 +0.16 +0.00	162.45
MSWE-162X172X5	162	172	5	5.10 +0.20 +0.00	162.00 -0.043 -0.106	172.00 +0.16 +0.00	36.31
MSWE-183X193X5	183	193	5	5.10 +0.20 +0.00	183.00 -0.050 -0.122	193.00 +0.185 +0.000	51.99
MSWE-200X220X10	200	220	10	10.10 +0.20 +0.00	200.00 -0.050 -0.122	220.00 +0.185 +0.000	109.34
MSWE-207X217X5	207	217	5	5.10 +0.20 +0.00	207.00 -0.050 -0.122	217.00 +0.185 +0.000	57.34
MSWE-220X235X10	220	235	10	10.10 +0.20 +0.00	220.00 -0.050 -0.122	235.00 +0.185 +0.000	33.73

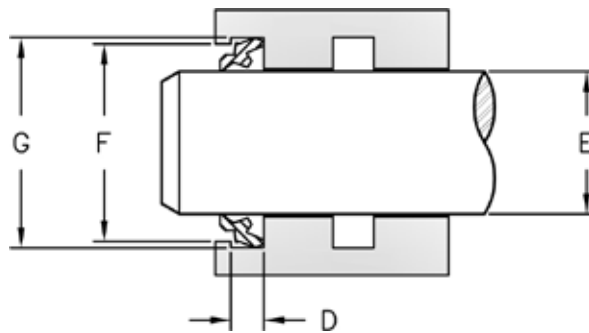
STYLE MSWH24 SNAP-IN WIPERS



Style MSWH24 wipers are molded in Zurcon® Z201urethane. This double-acting wiper is designed for severe operating conditions.



SEAL INFORMATION	
MATERIAL	92A URETHANE
TEMPERATURE RANGE	-31° TO +230° F
SPEED	1.5 FT/SEC

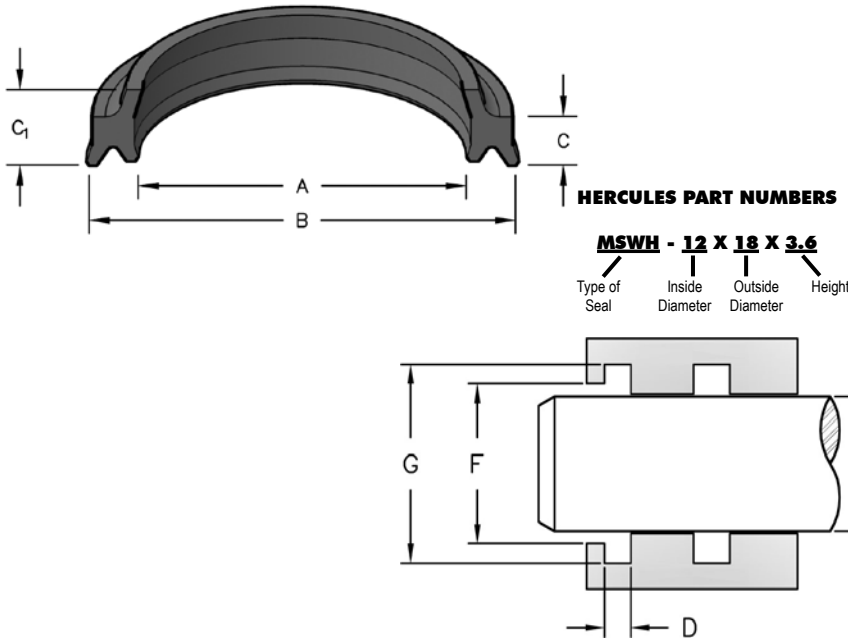


Part Number	A Nom. ID	B Nom. OD	C Nom. Ht	C ₁ OVERALL HEIGHT	D GROOVE WIDTH	E ROD DIAMETER	F THROAT DIAMETER	G HOUSING DIAMETER	List Price
MSWH24-40X48.8X6.3-A	40	48.8	6.2	9.40	6.30 +0.20 +0.00	40.00 +0.000 -0.062	44.40 +0.20 +0.00	48.80 +0.10 +0.00	\$ 14.99
MSWH24-45X53.8X6.3	45	53.8	6.2	9.40	6.30 +0.15 +0.00	45.00 -0.025 -0.064	49.40 +0.062 +0.000	53.80 +0.074 +0.000	27.87
MSWH24-50X58.8X6.3	50	58.8	6.2	9.40	6.30 +0.15 +0.00	50.00 -0.025 -0.064	54.40 +0.074 +0.000	58.80 +0.074 +0.000	13.01
MSWH24-56X64.8X6.3	56	64.8	6.2	9.40	6.30 +0.15 +0.00	56.00 -0.030 -0.076	60.40 +0.074 +0.000	64.80 +0.074 +0.000	13.28
MSWH24-60X68.8X6.3	60	68.8	6.2	9.40	6.30 +0.15 +0.00	60.00 -0.030 -0.076	64.40 +0.074 +0.000	68.80 +0.074 +0.000	13.55
MSWH24-70X82.2X8.1	70	82.2	8	12.00	8.10 +0.15 +0.00	70.00 -0.030 -0.076	76.00 +0.074 +0.000	82.20 +0.087 +0.000	16.67
MSWH24-75X87.2X8.1	75	87.2	8	12.00	8.10 +0.15 +0.00	75.00 -0.030 -0.076	81.00 +0.087 +0.000	87.20 +0.087 +0.000	17.23
MSWH24-80X92.2X8.1	80	92.2	8	12.00	8.10 +0.15 +0.00	80.00 -0.030 -0.076	86.00 +0.087 +0.000	92.20 +0.087 +0.000	17.79
MSWH24-85X97.2X8.1	85	97.2	8	12.00	8.10 +0.15 +0.00	85.00 -0.036 -0.090	91.00 +0.087 +0.000	97.20 +0.087 +0.000	20.05
MSWH24-90X102.2X8.1	90	102.2	8	12.00	8.10 +0.15 +0.00	90.00 -0.036 -0.090	96.00 +0.087 +0.000	102.20 +0.087 +0.000	23.99
MSWH24-95X107.2X8.1	95	107.2	8	12.00	8.10 +0.15 +0.00	95.00 -0.036 -0.090	101.00 +0.087 +0.000	107.20 +0.67 +0.00	24.26
MSWH24-100X112.2X8.1	100	112.2	8	12.00	8.10 +0.15 +0.00	100.00 -0.036 -0.090	106.00 +0.087 +0.000	112.20 +0.087 +0.000	31.61
MSWH24-105X117.2X8.1	105	117.2	8	12.00	8.10 +0.15 +0.00	105.00 -0.036 -0.090	111.00 +0.087 +0.000	117.20 +0.087 +0.000	31.88
MSWH24-110X122.2X8.1	110	122.2	8	12.00	8.10 +0.15 +0.00	110.00 -0.036 -0.090	116.00 +0.087 +0.000	122.20 +0.10 +0.00	35.84
MSWH24-125X137.2X8.1	125	137.2	8	12.00	8.10 +0.15 +0.00	125.00 -0.043 -0.106	131.00 +0.10 +0.00	137.20 +0.10 +0.00	40.31

Seal color may vary. Special order sizes are available. Please call your regional sales team for assistance.

STYLE MSWH SNAP-IN WIPERS

Molded in urethane, this wiper features a double lip which prevents fluid that seeps by the rod seal from exiting the cylinder.



SEAL INFORMATION	
MATERIAL	URETHANE
TEMPERATURE RANGE	-30° TO +200° F
SPEED	3 FT/SEC

WIPER RINGS

Part Number	A Nom. ID	B Nom. OD	C Nom. Ht	C ₁ OVERALL HEIGHT	D GROOVE WIDTH	E ROD DIAMETER	F THROAT DIAMETER	G HOUSING DIAMETER	List Price
MSWH-12X18X3.6	12	18	3.6	7.00	4.00 ^{+0.20} / _{+0.00}	12.00 ^{-0.016} / _{-0.043}	14.50 ^{+0.11} / _{+0.00}	18.00 ^{+0.043} / _{+0.000}	\$30.15
MSWH-14X20X3.6	14	20	3.6	7.00	4.00 ^{+0.20} / _{+0.00}	14.00 ^{-0.016} / _{-0.043}	16.50 ^{+0.11} / _{+0.00}	20.00 ^{+0.052} / _{+0.000}	31.05
MSWH-14X22X4.5	14	22	4.5	6.00	5.00 ^{+0.20} / _{+0.00}	14.00 ^{-0.016} / _{-0.043}	18.30 ^{+0.13} / _{+0.00}	22.00 ^{+0.052} / _{+0.000}	4.26
MSWH-16X24X4.5	16	24	4.5	6.00	5.00 ^{+0.20} / _{+0.00}	16.00 ^{-0.016} / _{-0.043}	20.30 ^{+0.13} / _{+0.00}	24.00 ^{+0.052} / _{+0.000}	4.52
MSWH-18X24X3.6	18	24	3.6	7.00	4.00 ^{+0.20} / _{+0.00}	18.00 ^{-0.016} / _{-0.043}	20.50 ^{+0.13} / _{+0.00}	24.00 ^{+0.052} / _{+0.000}	19.71
MSWH-18X26X4.5	18	26	4.5	6.00	5.00 ^{+0.20} / _{+0.00}	18.00 ^{-0.016} / _{-0.043}	22.30 ^{+0.13} / _{+0.00}	26.00 ^{+0.052} / _{+0.000}	4.52
MSWH-20X26X3.8	20	26	3.8	4.70	4.00 ^{+0.20} / _{+0.00}	20.00 ^{+0.000} / _{-0.052}	22.50 ^{+0.20} / _{+0.00}	26.00 ^{+0.084} / _{+0.000}	5.72
MSWH-20X28X4.5	20	28	4.5	6.00	5.00 ^{+0.20} / _{+0.00}	20.00 ^{-0.020} / _{-0.053}	24.30 ^{+0.13} / _{+0.00}	28.00 ^{+0.052} / _{+0.000}	4.76
MSWH-22X28X3.6	22	28	3.6	5.00	4.00 ^{+0.20} / _{+0.00}	22.00 ^{-0.020} / _{-0.053}	24.50 ^{+0.13} / _{+0.00}	28.00 ^{+0.052} / _{+0.000}	33.36
MSWH-22.4X30.4X4.5	22.4	30.4	4.5	6.00	5.00 ^{+0.20} / _{+0.00}	22.40 ^{-0.020} / _{-0.053}	26.70 ^{+0.13} / _{+0.00}	30.40 ^{+0.062} / _{+0.000}	4.89
MSWH-23.5X31.5X4.5	23.5	31.5	4.5	6.00	5.00 ^{+0.20} / _{+0.00}	23.50 ^{-0.020} / _{-0.053}	27.80 ^{+0.13} / _{+0.00}	31.50 ^{+0.062} / _{+0.000}	4.89
MSWH-25X31X5.1	25	31	5.1	7.30	5.60 ^{+0.20} / _{+0.00}	25.00 ^{-0.020} / _{-0.041}	28.00 ^{+0.13} / _{+0.00}	31.00 ^{+0.16} / _{+0.00}	4.24
MSWH-25X32X3.75	25	32	3.6	4.80	4.00 ^{+0.20} / _{+0.00}	25.00 ^{-0.020} / _{-0.053}	27.50 ^{+0.13} / _{+0.00}	32.00 ^{+0.062} / _{+0.000}	23.99
MSWH-25X33X4.5	25	33	4.5	6.00	5.00 ^{+0.20} / _{+0.00}	25.00 ^{-0.020} / _{-0.053}	29.30 ^{+0.13} / _{+0.00}	33.00 ^{+0.062} / _{+0.000}	5.16
MSWH-28X36X4.5	28	36	4.5	6.00	5.00 ^{+0.20} / _{+0.00}	28.00 ^{-0.020} / _{-0.053}	31.00 ^{+0.16} / _{+0.00}	36.00 ^{+0.062} / _{+0.000}	5.16
MSWH-28X36X5.5	28	36	5.5	8.40	6.00 ^{+0.20} / _{+0.00}	28.00 ^{-0.020} / _{-0.041}	31.50 ^{+0.16} / _{+0.00}	36.00 ^{+0.16} / _{+0.00}	10.84
MSWH-30X38X5	30	38.6	5	7.00	5.30 ^{+0.20} / _{+0.00}	30.00 ^{-0.020} / _{-0.053}	33.00 ^{+0.16} / _{+0.00}	38.60 ^{+0.062} / _{+0.000}	5.33
MSWH-31.5X39.5X5	31.5	39.5	5	6.50	6.00 ^{+0.20} / _{+0.00}	31.50 ^{-0.025} / _{-0.064}	35.50 ^{+0.16} / _{+0.00}	39.50 ^{+0.062} / _{+0.000}	5.66
MSWH-32X40X6	32	40	6	8.40	6.00 ^{+0.20} / _{+0.00}	32.00 ^{-0.025} / _{-0.064}	35.00 ^{+0.16} / _{+0.00}	40.00 ^{+0.062} / _{+0.000}	29.14
MSWH-32X40X5	32	40.6	5	7.00	5.30 ^{+0.20} / _{+0.00}	32.00 ^{-0.025} / _{-0.064}	35.00 ^{+0.16} / _{+0.00}	40.60 ^{+0.062} / _{+0.000}	9.90

STYLE MSWH SNAP-IN WIPERS



Part Number	A Nom. ID	B Nom. OD	C Nom. Ht	C ₁ OVERALL HEIGHT	D GROOVE WIDTH	E ROD DIAMETER	F THROAT DIAMETER	G HOUSING DIAMETER	List Price
MSWH-35X43X4.8	35	43	4.8	7.50	5.00 ^{+0.20} / _{+0.00}	35.00 ^{-0.025} / _{-0.064}	38.00 ^{+0.16} / _{+0.00}	43.00 ^{+0.16} / _{+0.00}	13.49
MSWH-35X43X5	35	43	5	6.50	6.00 ±0.20	35.00 ^{-0.025} / _{-0.064}	38.00 ^{+0.16} / _{+0.00}	43.00 ^{+0.00} / _{-0.20}	6.35
MSWH-35X44X3.6	35	44	3.6	4.90	4.00 ^{+0.20} / _{+0.00}	35.00 ^{-0.025} / _{-0.064}	41.50 ^{+0.16} / _{+0.00}	44.00 ^{+0.062} / _{+0.000}	42.03
MSWH-35.5X43.5X5	35.5	43.5	5	6.50	6.00 ^{+0.20} / _{+0.00}	35.50 ^{-0.025} / _{-0.064}	39.50 ^{+0.16} / _{+0.00}	43.50 ^{+0.062} / _{+0.000}	6.69
MSWH-36X44X4.5	36	44	4.5	6.00	5.00 ^{+0.20} / _{+0.00}	36.00 ^{-0.025} / _{-0.064}	39.00 ^{+0.16} / _{+0.00}	44.00 ^{+0.062} / _{+0.000}	13.18
MSWH-36X44X6	36	44	6	8.40	6.00 ^{+0.20} / _{+0.00}	36.00 ^{-0.025} / _{-0.064}	39.00 ^{+0.16} / _{+0.00}	44.00 ^{+0.062} / _{+0.000}	37.15
MSWH-38X46X4.6	38	46	4.6	5.80	5.00 ^{+0.20} / _{+0.00}	38.00 ^{-0.025} / _{-0.064}	41.00 ^{+0.16} / _{+0.00}	46.00 ^{+0.062} / _{+0.000}	14.23
MSWH-40X48X4.8-ME	40	48	4.8	7.50	5.00 ^{+0.20} / _{+0.00}	40.00 ^{-0.025} / _{-0.064}	43.00 ^{+0.16} / _{+0.00}	48.00 ^{+0.16} / _{+0.00}	17.43
MSWHN-40X48X5	40	48	5	6.50	6.00 ±0.20	40.00 ^{-0.025} / _{-0.064}	44.00 ±0.10	48.00 ^{+0.00} / _{-0.20}	12.99
MSWH-40X48X6	40	48	6	8.40	6.00 ^{+0.20} / _{+0.00}	40.00 ^{-0.025} / _{-0.064}	43.00 ^{+0.16} / _{+0.00}	48.00 ^{+0.062} / _{+0.000}	30.08
MSWH-40X48X5	40	48.6	5	7.00	5.30 ^{+0.20} / _{+0.00}	40.00 ^{-0.025} / _{-0.064}	43.00 ^{+0.16} / _{+0.00}	48.60 ^{+0.062} / _{+0.000}	7.16
MSWH-40X50X4.7	40	50	4.7	6.50	5.00 ^{+0.20} / _{+0.00}	40.00 ^{-0.025} / _{-0.064}	46.30 ^{+0.16} / _{+0.00}	50.00 ^{+0.062} / _{+0.000}	6.05
MSWH-40X50.6X4.6	40	50.6	4.6	6.90	5.10 ^{+0.20} / _{+0.00}	40.00 ^{-0.025} / _{-0.064}	44.00 ±0.10	50.60 ^{+0.00} / _{-0.20}	8.33
MSWH-42X50X4.5	42	50	4.5	5.80	5.00 ^{+0.20} / _{+0.00}	42.00 ^{-0.025} / _{-0.064}	45.00 ^{+0.16} / _{+0.00}	50.00 ^{+0.062} / _{+0.000}	32.87
MSWH-42X51X4.5	42	51	4.5	6.00	5.00 ^{+0.20} / _{+0.00}	42.00 ^{-0.025} / _{-0.064}	47.30 ^{+0.16} / _{+0.00}	51.00 ^{+0.074} / _{+0.000}	33.53
MSWH-45X53X4.5	45	53	4.5	6.00	5.00 ^{+0.20} / _{+0.00}	45.00 ^{-0.025} / _{-0.064}	48.00 ^{+0.16} / _{+0.00}	53.00 ^{+0.074} / _{+0.000}	35.36
MSWH-45X53X4.6	45	53	4.6	6.00	5.00 ^{+0.20} / _{+0.00}	45.00 ^{-0.025} / _{-0.064}	48.00 ^{+0.16} / _{+0.00}	53.00 ^{+0.074} / _{+0.000}	36.15
MSWH-45X53X5.4-ME	45	53	5.4	8.40	6.00 ^{+0.20} / _{+0.00}	45.00 ^{-0.020} / _{-0.082}	48.00 ^{+0.16} / _{+0.00}	53.00 ^{+0.19} / _{+0.00}	27.91
MSWH-45X53X5	45	53.6	5	7.00	5.30 ^{+0.20} / _{+0.00}	45.00 ^{-0.025} / _{-0.064}	48.00 ^{+0.16} / _{+0.00}	53.60 ^{+0.074} / _{+0.000}	7.84
MSWH-50X58X4.5	50	58	4.5	6.00	5.00 ^{+0.20} / _{+0.00}	50.00 ^{-0.025} / _{-0.064}	53.00 ^{+0.19} / _{+0.00}	58.00 ^{+0.074} / _{+0.000}	15.93
MSWH-50X58X4.8-ME	50	58	4.8	7.50	5.00 ^{+0.20} / _{+0.00}	50.00 ^{-0.025} / _{-0.064}	53.00 ^{+0.19} / _{+0.00}	58.00 ^{+0.19} / _{+0.00}	18.30
MSWH-50X58X6	50	58	6	8.70	6.00 ^{+0.20} / _{+0.00}	50.00 ^{-0.025} / _{-0.064}	53.00 ^{+0.19} / _{+0.00}	58.00 ^{+0.074} / _{+0.000}	41.33
MSWH-50X58X5	50	58.6	5	7.00	5.30 ^{+0.20} / _{+0.00}	50.00 ^{-0.025} / _{-0.064}	53.00 ^{+0.19} / _{+0.00}	58.60 ^{+0.074} / _{+0.000}	8.52
MSWH-50X59X3.6	50	59	3.6	4.80	4.00 ^{+0.20} / _{+0.00}	50.00 ^{-0.025} / _{-0.064}	54.00 ±0.10	59.00 ^{-1.00} / _{-1.20}	13.78
MSWH-50X60X5	50	60.6	5	7.00	5.30 ^{+0.20} / _{+0.00}	50.00 ^{-0.025} / _{-0.064}	53.00 ^{+0.19} / _{+0.00}	60.60 ^{+0.074} / _{+0.000}	31.84
MSWH-53X61X5	53	61	5	6.50	6.00 ^{+0.20} / _{+0.00}	53.00 ^{-0.030} / _{-0.076}	57.00 ^{+0.19} / _{+0.00}	61.00 ^{+0.074} / _{+0.000}	8.97
MSWH-55X63X5	55	63.6	5	7.00	5.30 ^{+0.20} / _{+0.00}	55.00 ^{-0.030} / _{-0.076}	58.00 ^{+0.19} / _{+0.00}	63.60 ^{+0.074} / _{+0.000}	9.29
MSWH-55X65X4.5	55	65	4.5	6.00	5.00 ^{+0.20} / _{+0.00}	55.00 ^{-0.030} / _{-0.076}	58.00 ^{+0.16} / _{+0.00}	65.00 ^{+0.074} / _{+0.000}	22.99
MSWH-56X64X6	56	64	6	8.70	6.00 ^{+0.20} / _{+0.00}	56.00 ^{-0.030} / _{-0.076}	59.00 ^{+0.16} / _{+0.00}	64.00 ^{+0.074} / _{+0.000}	10.53
MSWH-56X64X5	56	64.6	5	7.00	5.30 ^{+0.20} / _{+0.00}	56.00 ^{-0.030} / _{-0.076}	59.00 ^{+0.19} / _{+0.00}	64.60 ^{+0.074} / _{+0.000}	9.29
MSWH-56X66X5.3	56	66	5.3	7.00	6.00 ^{+0.20} / _{+0.00}	56.00 ^{-0.030} / _{-0.076}	59.00 ^{+0.19} / _{+0.00}	66.00 ^{+0.074} / _{+0.000}	37.67
MSWH-60X68X5	60	68.6	5	7.00	5.30 ^{+0.20} / _{+0.00}	60.00 ^{-0.030} / _{-0.076}	63.00 ^{+0.19} / _{+0.00}	68.60 ^{+0.074} / _{+0.000}	9.93
MSWH-60X70X5.7-ME	60	70	5.7	8.50	6.00 ^{+0.20} / _{+0.00}	60.00 ^{-0.030} / _{-0.076}	63.00 ^{+0.19} / _{+0.00}	70.00 ^{+0.19} / _{+0.00}	19.58

WIPER RINGS

STYLE MSWH SNAP-IN WIPERS

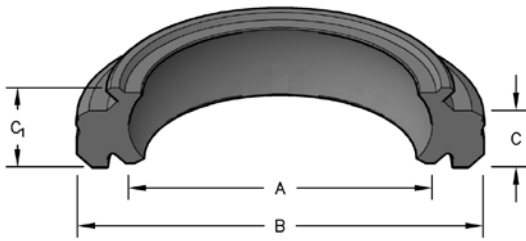
WIPER RINGS

Part Number	A Nom. ID	B Nom. OD	C Nom. Ht	C ₁ OVERALL HEIGHT	D GROOVE WIDTH	E ROD DIAMETER	F THROAT DIAMETER	G HOUSING DIAMETER	List Price
MSWH-63X71X5	63	71.6	5	7.00	5.30 ^{+0.20} / _{+0.00}	63.00 ^{-0.030} / _{-0.076}	66.00 ^{+0.19} / _{+0.00}	71.60 ^{+0.074} / _{+0.000}	9.93
MSWH-65X73X5	65	73.6	5	7.00	5.30 ^{+0.20} / _{+0.00}	65.00 ^{-0.030} / _{-0.076}	68.00 ^{+0.19} / _{+0.00}	73.60 ^{+0.074} / _{+0.000}	9.93
MSWH-65X75X5.7-ME	65	75	5.7	8.50	6.00 ^{+0.20} / _{+0.00}	65.00 ^{-0.030} / _{-0.076}	68.00 ^{+0.19} / _{+0.00}	75.00 ^{+0.19} / _{+0.00}	20.72
MSWH-67X75X5	67	75	5	6.50	6.00 ^{+0.20} / _{+0.00}	67.00 ^{-0.030} / _{-0.076}	71.00 ^{+0.19} / _{+0.00}	75.00 ^{+0.074} / _{+0.000}	9.93
MSWH-70X80X5.5	70	80	5.5	8.00	6.00 ^{+0.20} / _{+0.00}	70.00 ^{-0.030} / _{-0.076}	73.00 ^{+0.19} / _{+0.00}	80.00 ^{+0.074} / _{+0.000}	17.47
MSWH-70X80X5.7-ME	70	80	5.7	8.50	6.00 ^{+0.20} / _{+0.00}	70.00 ^{-0.030} / _{-0.076}	73.00 ^{+0.19} / _{+0.00}	80.00 ^{+0.19} / _{+0.00}	21.35
MSWH-70X80X6	70	80	6	8.00	7.00 ^{+0.20} / _{+0.00}	70.00 ^{-0.030} / _{-0.076}	75.00 ^{+0.19} / _{+0.00}	80.00 ^{+0.074} / _{+0.000}	12.37
MSWH-71X81X6	71	81	6	8.00	7.00 ^{+0.20} / _{+0.00}	71.00 ^{-0.030} / _{-0.076}	76.00 ^{+0.19} / _{+0.00}	81.00 ^{+0.087} / _{+0.000}	12.37
MSWH-75X85X5.5	75	85	5.5	8.00	6.00 ^{+0.20} / _{+0.00}	75.00 ^{-0.030} / _{-0.076}	78.00 ^{+0.19} / _{+0.00}	85.00 ^{+0.087} / _{+0.000}	26.93
MSWH-75X85X6	75	85	6	8.00	7.00 ^{+0.20} / _{+0.00}	75.00 ^{-0.030} / _{-0.076}	80.00 ^{+0.19} / _{+0.00}	85.00 ^{+0.087} / _{+0.000}	13.11
MSWH-79X89X4.5	79	89	4.5	7.00	5.00 ^{+0.20} / _{+0.00}	79.00 ^{-0.030} / _{-0.076}	84.00 ^{+0.22} / _{+0.00}	89.00 ^{+0.087} / _{+0.000}	31.54
MSWH-80X90X6	80	90	6	8.00	7.00 ^{+0.20} / _{+0.00}	80.00 ^{-0.030} / _{-0.076}	85.00 ^{+0.22} / _{+0.00}	90.00 ^{+0.087} / _{+0.000}	13.11
MSWH-85X95X6	85	95	6	8.00	7.00 ^{+0.20} / _{+0.00}	85.00 ^{-0.036} / _{-0.090}	90.00 ^{+0.22} / _{+0.00}	95.00 ^{+0.087} / _{+0.000}	13.58
MSWH-90X100X5.3	90	100	5.3	9.70	6.00 ^{+0.20} / _{+0.00}	90.00 ^{-0.036} / _{-0.090}	93.00 ^{+0.22} / _{+0.00}	100.00 ^{+0.087} / _{+0.000}	50.83
MSWH-90X100X5.7-ME	90	100	5.7	8.50	6.00 ^{+0.20} / _{+0.00}	90.00 ^{-0.036} / _{-0.090}	93.00 ^{+0.22} / _{+0.00}	100.00 ^{+0.22} / _{+0.00}	32.22
MSWH-90X100X6	90	100	6	8.00	7.00 ^{+0.20} / _{+0.00}	90.00 ^{-0.036} / _{-0.090}	95.00 ^{+0.22} / _{+0.00}	100.00 ^{+0.087} / _{+0.000}	14.68
MSWH-98X108X4.5	98	108	4.5	7.00	5.00 ^{+0.20} / _{+0.00}	98.00 ^{-0.036} / _{-0.090}	103.00 ^{+0.22} / _{+0.00}	108.00 ^{+0.087} / _{+0.000}	32.85
MSWH-98X108X6	98	108	6	8.00	7.00 ^{+0.20} / _{+0.00}	98.00 ^{-0.036} / _{-0.090}	103.00 ^{+0.22} / _{+0.00}	108.00 ^{+0.087} / _{+0.000}	19.24
MSWH-100X110X6	100	110	6	9.00	7.00 ^{+0.20} / _{+0.00}	100.00 ^{-0.036} / _{-0.090}	105.00 ^{+0.22} / _{+0.00}	110.00 ^{+0.087} / _{+0.000}	21.28
MSWH-110X125X7.5	110	125	7.5	9.50	8.50 ^{+0.20} / _{+0.00}	110.00 ^{-0.036} / _{-0.090}	114.00 ^{+0.22} / _{+0.00}	125.00 ^{+0.10} / _{+0.00}	75.27
MSWH-112X122X6	112	122	6	8.00	7.00 ^{+0.20} / _{+0.00}	112.00 ^{-0.036} / _{-0.090}	117.00 ^{+0.22} / _{+0.00}	122.00 ^{+0.10} / _{+0.00}	23.63
MSWH-117X127X5.5	117	127	5.5	8.00	6.00 ^{+0.20} / _{+0.00}	117.00 ^{-0.036} / _{-0.090}	122.00 ^{+0.25} / _{+0.00}	127.00 ^{+0.10} / _{+0.00}	45.78
MSWH-125X138X7	125	138	7	9.50	8.00 ^{+0.20} / _{+0.00}	125.00 ^{-0.043} / _{-0.106}	132.00 ^{+0.25} / _{+0.00}	138.00 ^{+0.10} / _{+0.00}	25.62
MSWH-130X143X7	130	143	7.8	11.00	7.80 ^{+0.40} / _{+0.00}	130.00 ^{-0.04} / _{-0.14}	137.00 ^{±0.10}	143.00 ^{+0.20} / _{+0.00}	28.63
MSWH-130X143X7.8	130	143	7.8	11.00	7.80 ^{+0.40} / _{+0.00}	130.00 ^{-0.04} / _{-0.14}	137.00 ^{±0.10}	143.00 ^{+0.20} / _{+0.00}	28.63
MSWH-136X146X5.5	136	146	5.5	8.00	6.00 ^{+0.20} / _{+0.00}	136.00 ^{-0.043} / _{-0.106}	142.00 ^{+0.25} / _{+0.00}	146.00 ^{+0.10} / _{+0.00}	49.82
MSWH-136X149X7	136	149	7	9.50	8.00 ^{+0.20} / _{+0.00}	136.00 ^{-0.043} / _{-0.106}	143.00 ^{+0.25} / _{+0.00}	149.00 ^{+0.10} / _{+0.00}	27.76
MSWH-140X153X7	140	153	7	9.50	8.00 ^{+0.20} / _{+0.00}	140.00 ^{-0.043} / _{-0.106}	147.00 ^{+0.25} / _{+0.00}	153.00 ^{+0.10} / _{+0.00}	28.23
MSWH-140X155X7.5	140	155	7.5	9.50	8.50 ^{+0.20} / _{+0.00}	140.00 ^{-0.043} / _{-0.106}	144.00 ^{+0.25} / _{+0.00}	155.00 ^{+0.10} / _{+0.00}	89.36
MSWH-145X158X7	145	158	7	9.50	8.00 ^{+0.20} / _{+0.00}	145.00 ^{-0.043} / _{-0.106}	152.00 ^{+0.25} / _{+0.00}	158.00 ^{+0.10} / _{+0.00}	28.23
MSWH-155X165X5.5	155	165	5.5	8.00	6.00 ^{+0.20} / _{+0.00}	155.00 ^{-0.043} / _{-0.106}	160.00 ^{+0.25} / _{+0.00}	165.00 ^{+0.10} / _{+0.00}	54.14
MSWH-160X174X7	160	174	7	9.50	8.00 ^{+0.20} / _{+0.00}	160.00 ^{-0.043} / _{-0.106}	167.00 ^{+0.25} / _{+0.00}	174.00 ^{+0.10} / _{+0.00}	31.55
MSWH-176X186X5.5	176	186	5.5	8.00	6.00 ^{+0.20} / _{+0.00}	176.00 ^{-0.043} / _{-0.106}	180.00 ^{+0.25} / _{+0.00}	186.00 ^{+0.115} / _{+0.000}	91.57

STYLE MWSCK SNAP-IN WIPERS



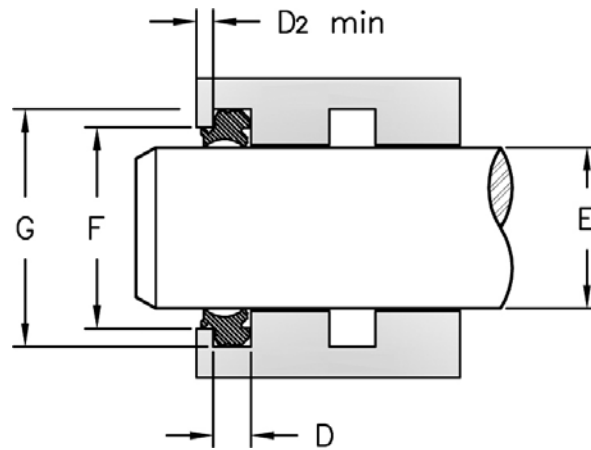
Molded in nitrile, this double lipped wiper is common in Toyota lift trucks.



HERCULES PART NUMBERS

MWSCK - 25 X 37 X 6
 Type of Seal Inside Diameter Outside Diameter Height

SEAL INFORMATION	
MATERIAL	NITRILE
TEMPERATURE RANGE	-49° TO +212° F
SPEED	3 FT/SEC



Part Number	A Nom. ID	B Nom. OD	C Nom. Ht	C ₁ OVERALL HEIGHT	D GROOVE WIDTH	E ROD DIAMETER	F THROAT DIAMETER	G HOUSING DIAMETER	D ₂ OUTER THROAT DEPTH	C HEIGHT	List Price
MWSCK-20X32X6	20	32	6	7.70	6.00 ^{+0.30} / _{+0.00}	20.00 ^{-0.020} / _{-0.053}	26.00 ±0.10	32.00 ^{+0.00} / _{-0.20}	3.00	5.80	\$ 14.53
MWSCK-25X37X6	25	37	6	7.70	6.00 ^{+0.30} / _{+0.00}	25.00 ^{-0.020} / _{-0.053}	31.00 ±0.10	37.00 ^{+0.00} / _{-0.20}	3.00	5.80	17.91
MWSCK-30X42X6	30	42	6	7.70	6.00 ^{+0.30} / _{+0.00}	30.00 ^{-0.020} / _{-0.053}	36.00 ±0.10	42.00 ^{+0.00} / _{-0.20}	3.00	5.80	18.63
MWSCK-35X47X7	35	47	7	8.70	7.00 ^{+0.30} / _{+0.00}	35.00 ^{-0.025} / _{-0.064}	41.00 ±0.10	47.00 ^{+0.00} / _{-0.20}	3.00	6.80	27.06
MWSCK-40X52X7	40	52	7	8.70	7.00 ^{+0.30} / _{+0.00}	40.00 ^{-0.025} / _{-0.064}	46.00 ±0.10	52.00 ^{+0.00} / _{-0.20}	3.00	6.80	28.61
MWSCK-45X57X7	45	57	7	8.70	7.00 ^{+0.30} / _{+0.00}	45.00 ^{-0.025} / _{-0.064}	51.00 ±0.10	57.00 ^{+0.00} / _{-0.20}	3.00	6.80	30.04
MWSCK-50X62X7	50	62	7	8.70	7.00 ^{+0.30} / _{+0.00}	50.00 ^{-0.025} / _{-0.064}	56.00 ±0.10	62.00 ^{+0.00} / _{-0.20}	3.00	6.80	32.13
MWSCK-55X69X8	55	69	8	10.00	8.00 ^{+0.30} / _{+0.00}	55.00 ^{-0.030} / _{-0.076}	62.00 ±0.10	69.00 ^{+0.00} / _{-0.20}	3.00	7.70	33.40
MWSCK-60X74X8	60	74	8	10.00	8.00 ^{+0.30} / _{+0.00}	60.00 ^{-0.030} / _{-0.076}	67.00 ±0.10	74.00 ^{+0.00} / _{-0.20}	3.00	7.70	34.66
MWSCK-65X79X8	65	79	8	10.00	8.00 ^{+0.30} / _{+0.00}	65.00 ^{-0.030} / _{-0.076}	72.00 ±0.10	79.00 ^{+0.00} / _{-0.20}	3.00	7.70	35.90
MWSCK-70X84X8	70	84	8	10.00	8.00 ^{+0.30} / _{+0.00}	70.00 ^{-0.030} / _{-0.076}	77.00 ±0.10	84.00 ^{+0.00} / _{-0.20}	3.00	7.70	37.15
MWSCK-75X89X8	75	89	8	10.00	8.00 ^{+0.30} / _{+0.00}	75.00 ^{-0.030} / _{-0.076}	82.00 ±0.10	89.00 ^{+0.00} / _{-0.20}	3.00	7.70	38.41
MWSCK-80X94X8	80	94	8	10.00	8.00 ^{+0.30} / _{+0.00}	80.00 ^{-0.030} / _{-0.076}	87.00 ±0.10	94.00 ^{+0.00} / _{-0.20}	3.00	7.70	39.65
MWSCK-85X99X8	85	99	8	10.00	8.00 ^{+0.30} / _{+0.00}	85.00 ^{-0.036} / _{-0.090}	92.00 ±0.10	99.00 ^{+0.00} / _{-0.20}	3.00	7.70	40.91
MWSCK-95X109X8	95	109	8	10.00	8.00 ^{+0.30} / _{+0.00}	95.00 ^{-0.036} / _{-0.090}	102.00 ±0.10	109.00 ^{+0.00} / _{-0.20}	3.00	7.70	43.97

WIPER RINGS



STYLE MWSCK SNAP-IN WIPERS

Part Number	A Nom. ID	B Nom. OD	C Nom. Ht	C ₁ OVERALL HEIGHT	D GROOVE WIDTH	E ROD DIAMETER	F THROAT DIAMETER	G HOUSING DIAMETER	D ₂ OUTER THROAT DEPTH	C HEIGHT	List Price
MWSCK-105X121X9	105	121	9	12.00	9.00 ^{+0.30} / _{+0.00}	105.00 ^{-0.036} / _{-0.090}	113.00 ±0.10	121.00 ^{+0.00} / _{-0.20}	4.00	8.70	46.71
MWSCK-110X126X9	110	126	9	12.00	9.00 ^{+0.30} / _{+0.00}	110.00 ^{-0.036} / _{-0.090}	118.00 ±0.10	126.00 ^{+0.00} / _{-0.20}	4.00	8.70	48.11
MWSCK-115X131X9	115	131	9	12.00	9.00 ^{+0.30} / _{+0.00}	115.00 ^{-0.036} / _{-0.090}	123.00 ±0.10	131.00 ^{+0.00} / _{-0.20}	4.00	8.70	49.46
MWSCK-120X136X9	120	136	9	12.00	9.00 ^{+0.30} / _{+0.00}	120.00 ^{-0.036} / _{-0.090}	128.00 ±0.10	136.00 ^{+0.00} / _{-0.20}	4.00	8.70	50.85
MWSCK-125X141X9	125	141	9	12.00	9.00 ^{+0.30} / _{+0.00}	125.00 ^{-0.043} / _{-0.106}	133.00 ±0.10	141.00 ^{+0.00} / _{-0.20}	4.00	8.70	52.20

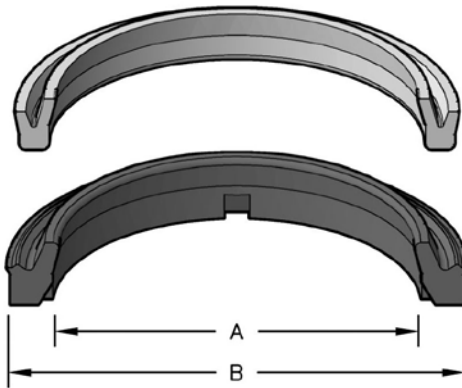
Seal color may vary. Special order sizes are available. Please call your regional sales team for assistance.

WIPER RINGS

STYLE MSW SNAP-IN WIPERS

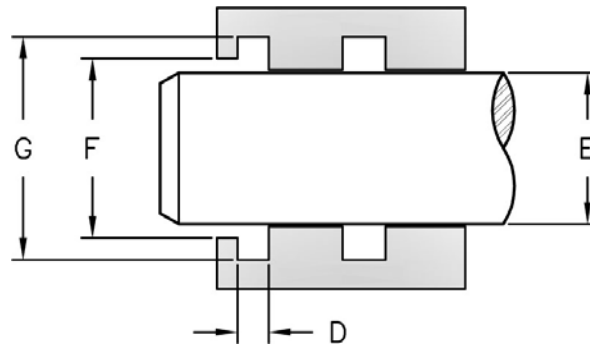


Molded in urethane, this wiper features a lip on the outer diameter to aid in contaminant exclusion.



HERCULES PART NUMBERS

MSW - 20 X 28 X 4.5
 Type of Seal Inside Diameter Outside Diameter Height



SEAL INFORMATION	
MATERIAL	URETHANE
TEMPERATURE RANGE	-30° TO +200° F
SPEED	3 FT/SEC

Part Number	A Nom. ID	B Nom. OD	C Nom. Ht	D GROOVE WIDTH	E ROD DIAMETER	F THROAT DIAMETER	G HOUSING DIAMETER	List Price
MSW-20X28X4.5	20	28	4.5	5.50 +0.30 +0.00	20.00 -0.020 -0.053	24.00 ±0.10	28.00 +0.00 -0.20	\$3.41
MSW-25X33X4.5	25	33	4.5	5.50 +0.30 +0.00	25.00 -0.020 -0.053	29.00 ±0.10	33.00 +0.00 -0.20	5.08
MSW-25X34X4.5	25	34	4.5	5.50 +0.30 +0.00	25.00 -0.020 -0.053	29.50 ±0.10	34.00 +0.00 -0.20	6.99
MSW-30X38X5	30	38	5	6.00 +0.30 +0.00	30.00 -0.020 -0.053	34.00 ±0.10	38.00 +0.00 -0.20	12.55
MSW-35X43X5	35	43	5	6.00 +0.30 +0.00	35.00 -0.025 -0.064	39.00 ±0.10	43.00 +0.00 -0.20	9.19
MSW-40X48X4.5	40	48	4.5	5.50 +0.30 +0.00	40.00 -0.025 -0.064	44.00 ±0.10	48.00 +0.00 -0.20	7.64
MSW-40X48X5	40	48	5	6.00 +0.30 +0.00	40.00 -0.025 -0.064	44.00 ±0.10	48.00 +0.00 -0.20	7.64
MSW-40X50X6	40	50	6	7.00 +0.30 +0.00	40.00 -0.025 -0.064	45.00 ±0.10	50.00 +0.00 -0.20	9.49
MSW-45X53X5	45	53	5	6.00 +0.30 +0.00	45.00 -0.025 -0.064	49.00 ±0.10	53.00 +0.00 -0.20	9.34
MSW-45X55X6	45	55	6	7.00 +0.30 +0.00	45.00 -0.025 -0.064	50.00 ±0.10	55.00 +0.00 -0.20	10.20
MSW-50X58X5	50	58	5	6.00 +0.30 +0.00	50.00 -0.025 -0.064	54.00 ±0.10	58.00 +0.00 -0.20	10.60
MSW-50X60X6	50	60	6	7.00 +0.30 +0.00	50.00 -0.025 -0.064	55.00 ±0.10	60.00 +0.00 -0.20	10.60
MSW-55X63X5	55	63	5	6.00 +0.30 +0.00	55.00 -0.030 -0.076	59.00 ±0.10	63.00 +0.00 -0.20	28.61
MSW-55X65X6	55	65	6	7.00 +0.30 +0.00	55.00 -0.030 -0.076	60.00 ±0.10	65.00 +0.00 -0.20	18.96
MSW-60X68X5	60	68	5	6.00 +0.30 +0.00	60.00 -0.030 -0.076	64.00 ±0.10	68.00 +0.00 -0.20	12.82

WIPER RINGS



STYLE MSW SNAP-IN WIPERS

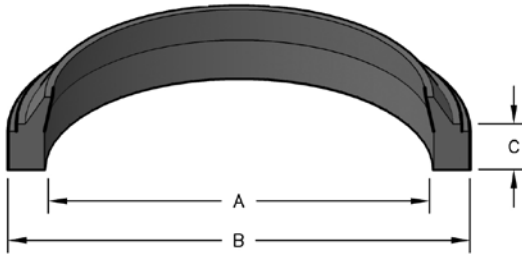
WIPER RINGS

Part Number	A Nom. ID	B Nom. OD	C Nom. Ht	D GROOVE WIDTH	E ROD DIAMETER	F THROAT DIAMETER	G HOUSING DIAMETER	List Price
MSW-60X73X7	60	73	7	8.00 ^{+0.30} / _{+0.00}	60.00 ^{-0.030} / _{-0.076}	66.50 ±0.10	73.00 ^{+0.00} / _{-0.20}	13.76
MSW-65X79X7	65	79	7	8.00 ^{+0.30} / _{+0.00}	65.00 ^{-0.030} / _{-0.076}	72.00 ±0.10	79.00 ^{+0.00} / _{-0.20}	14.66
MSW-70X80X6	70	80	6	7.00 ^{+0.30} / _{+0.00}	70.00 ^{-0.030} / _{-0.076}	75.00 ±0.10	80.00 ^{+0.00} / _{-0.20}	15.29
MSW-70X83X7	70	83	7	8.00 ^{+0.30} / _{+0.00}	70.00 ^{-0.030} / _{-0.076}	76.50 ±0.10	83.00 ^{+0.00} / _{-0.20}	15.29
MSW-75X85X6	75	85	6	7.00 ^{+0.30} / _{+0.00}	75.00 ^{-0.030} / _{-0.076}	80.00 ±0.10	85.00 ^{+0.00} / _{-0.20}	16.94
MSW-75X88X7	75	88	7	8.00 ^{+0.30} / _{+0.00}	75.00 ^{-0.030} / _{-0.076}	81.50 ±0.10	88.00 ^{+0.00} / _{-0.20}	16.94
MSW-80X90X6	80	90	6	7.00 ^{+0.30} / _{+0.00}	80.00 ^{-0.030} / _{-0.076}	85.00 ±0.10	90.00 ^{+0.00} / _{-0.20}	16.94
MSW-80X93X7	80	93	7	8.00 ^{+0.30} / _{+0.00}	80.00 ^{-0.030} / _{-0.076}	86.50 ±0.10	93.00 ^{+0.00} / _{-0.20}	16.94
MSW-85X98X7	85	98	7	8.00 ^{+0.30} / _{+0.00}	85.00 ^{-0.036} / _{-0.090}	91.50 ±0.10	98.00 ^{+0.00} / _{-0.20}	25.53
MSW-90X100X6	90	100	6	7.00 ^{+0.30} / _{+0.00}	90.00 ^{-0.036} / _{-0.090}	95.00 ±0.10	100.00 ^{+0.00} / _{-0.20}	25.53
MSW-90X103X7	90	103	7	8.00 ^{+0.30} / _{+0.00}	90.00 ^{-0.036} / _{-0.090}	96.50 ±0.10	103.00 ^{+0.00} / _{-0.20}	25.53
MSW-95X105X6	95	105	6	7.00 ^{+0.30} / _{+0.00}	95.00 ^{-0.036} / _{-0.090}	100.00 ±0.10	105.00 ^{+0.00} / _{-0.20}	35.02
MSW-95X108X7	95	108	7	8.00 ^{+0.30} / _{+0.00}	95.00 ^{-0.036} / _{-0.090}	101.50 ±0.10	108.00 ^{+0.00} / _{-0.20}	35.02
MSW-100X110X6	100	110	6	7.00 ^{+0.30} / _{+0.00}	100.00 ^{-0.036} / _{-0.090}	105.00 ±0.10	110.00 ^{+0.00} / _{-0.20}	35.02
MSW-100X113X7	100	113	7	8.00 ^{+0.30} / _{+0.00}	100.00 ^{-0.036} / _{-0.090}	106.50 ±0.10	113.00 ^{+0.00} / _{-0.20}	35.02
MSW-110X120X6	110	120	6	7.00 ^{+0.30} / _{+0.00}	110.00 ^{-0.036} / _{-0.090}	115.00 ±0.10	120.00 ^{+0.00} / _{-0.20}	36.43
MSW-110X123X7	110	123	7	8.00 ^{+0.30} / _{+0.00}	110.00 ^{-0.036} / _{-0.090}	116.50 ±0.10	123.00 ^{+0.00} / _{-0.20}	37.98
MSW-120X130X6	120	130	6	7.00 ^{+0.30} / _{+0.00}	120.00 ^{-0.036} / _{-0.090}	125.00 ±0.10	130.00 ^{+0.00} / _{-0.20}	37.81
MSW-120X133X7	120	133	7	8.00 ^{+0.30} / _{+0.00}	120.00 ^{-0.036} / _{-0.090}	126.50 ±0.10	133.00 ^{+0.00} / _{-0.20}	37.81
MSW-125X138X7	125	138	7	8.00 ^{+0.30} / _{+0.00}	125.00 ^{-0.043} / _{-0.106}	131.50 ±0.10	138.00 ^{+0.00} / _{-0.20}	39.21
MSW-140X153X7	140	153	7	8.00 ^{+0.30} / _{+0.00}	140.00 ^{-0.043} / _{-0.106}	146.50 ±0.10	153.00 ^{+0.00} / _{-0.20}	43.43

STYLE MSWS / MSWSN SNAP-IN WIPERS



This light duty wiper is molded in polyurethane and features a double-stepped shoulder to fit tightly in the gland throat.

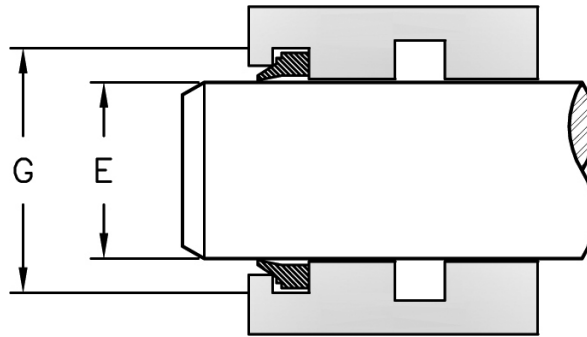


NOTE: MSWSN = Nitrile

HERCULES PART NUMBERS

MSWS - 16 X 24 X 4
 Type of Seal Inside Diameter Outside Diameter Height

SEAL INFORMATION	
MATERIAL	URETHANE
TEMPERATURE RANGE	-22° TO +212° F
SPEED	3 FT/SEC



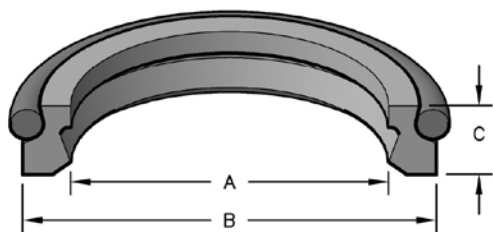
Part Number	A Nom. ID	B Nom. OD	C Nom. Ht	E ROD DIAMETER	G HOUSING DIAMETER	List Price
MSWS-16X24X4	16	24	4	16.00	24.00	\$3.34
MSWSN-16X24X4	16	24	4	16.00	24.00	3.64
MSWS-20X28X4	20	28	4	20.00	28.00	4.86
MSWS-22X30X4	22	30	4	22.00	30.00	3.61
MSWS-25X33X4	25	33	4	25.00	33.00	3.34
MSWS-28X36X4	28	36	4	28.00	36.00	4.24
MSWS-30X38X4	30	38	4	30.00	38.00	4.46
MSWS-32X40X4	32	40	4	32.00	40.00	4.24
MSWS-35X43X4	35	43	4	35.00	43.00	4.46
MSWS-36X44X4	36	44	4	36.00	44.00	4.24
MSWS-40X48X4	40	48	4	40.00	48.00	5.09
MSWS-42X50X4	42	50	4	42.00	50.00	5.32
MSWS-45X53X4	45	53	4	45.00	53.00	4.69
MSWS-50X58X4	50	58	4	50.00	58.00	4.24
MSWS-55X63X4	55	63	4	55.00	63.00	6.79
MSWS-56X64X4	56	64	4	56.00	64.00	6.33
MSWS-60X68X4	60	68	4	60.00	68.00	6.33
MSWS-63X71X4	63	71	4	63.00	71.00	6.33
MSWS-65X73X4	65	73	4	65.00	73.00	6.56
MSWS-70X78X4	70	78	4	70.00	78.00	5.09
MSWS-80X88X4	80	88	4	80.00	88.00	7.19
MSWSN-82X90X4	82	90	4	82.00	90.00	22.24
MSWSN-85X93X4	85	93	4	85.00	93.00	4.62
MSWS-90X98X4	90	98	4	90.00	98.00	5.90
MSWS-100X108X4	100	108	4	100.00	108.00	8.71
MSWSN-300X315X6.5	300	315	6.5	300.00	315.00	51.08

Seal color may vary. Special order sizes are available. Sizes not shown and out of stock items can also be ordered for next day delivery through Seals On Demand, our custom seal program. Please call your regional sales team for assistance.



STYLE MSWXE-T SNAP-IN WIPERS

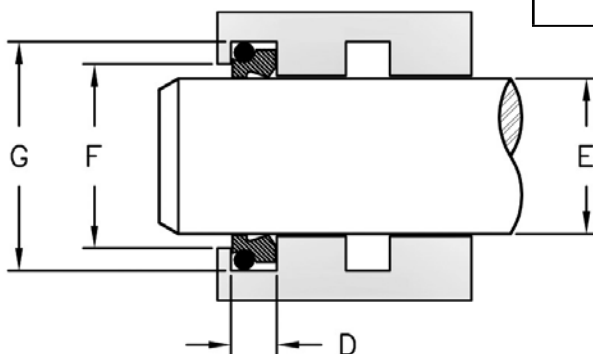
MSWXE-T is a two piece single acting wiper which consists of a PTFE ring and an O-Ring energizer. This unique style provides low friction, free stick-slip, and a high sliding speed.



HERCULES PART NUMBERS

MSWXE 20 X 27.6 X 4.2T

Type of Seal Rod Diameter Housing Diameter Groove Width



SEAL INFORMATION

MATERIAL	PTFE/NBR
TEMPERATURE RANGE	-22° TO 220°F
SPEED	12 FT/SEC

WIPER RINGS

Part Number	A Nom. ID	B Nom. OD	C Nom. Ht	D GROOVE WIDTH	E ROD DIAMETER	F THROAT DIAMETER	G HOUSING DIAMETER	D ₂ OUTER THROAT DEPTH	List Price
MSWXE-20X27.6X4.2T	20	27.6	4.2	4.20 +0.20 +0.00	20.00	21.50 +0.13 +0.00	27.60 +0.052 +0.000	3.00	\$8.64
MSWXE-25X32.6X4.2T	25	32.6	4.2	4.20 +0.20 +0.00	25.00	26.50 +0.13 +0.00	32.60 +0.062 +0.000	3.00	11.04
MSWXE-30X37.6X4.2T	30	37.6	4.2	4.20 +0.20 +0.00	30.00	31.50 +0.16 +0.00	37.60 +0.062 +0.000	3.00	12.24
MSWXE-36X43.6X4.2T	36	43.6	4.2	4.20 +0.20 +0.00	36.00	37.50 +0.16 +0.00	43.60 +0.062 +0.000	3.00	16.19
MSWXE-40X48.8X6.3T	40	48.8	6.3	6.30 +0.20 +0.00	40.00	41.50 +0.16 +0.00	48.80 +0.062 +0.000	3.00	16.30
MSWXE-45X53.8X6.3T	45	53.8	6.3	6.30 +0.20 +0.00	45.00	46.50 +0.16 +0.00	53.80 +0.074 +0.000	3.00	23.03
MSWXE-50X58.8X6.3T	50	58.8	6.3	6.30 +0.20 +0.00	50.00	51.50 +0.19 +0.00	58.80 +0.074 +0.000	3.00	23.28
MSWXE-60X68.8X6.3T	60	68.8	6.3	6.30 +0.20 +0.00	60.00	61.50 +0.19 +0.00	68.80 +0.074 +0.000	3.00	26.64
MSWXE-63X71.8X6.3T	63	71.8	6.3	6.30 +0.20 +0.00	63.00	64.50 +0.19 +0.00	71.80 +0.074 +0.000	3.00	26.89
MSWXE-65X73.8X6.3T	65	73.8	6.3	6.30 +0.20 +0.00	65.00	66.50 +0.19 +0.00	73.80 +0.074 +0.000	3.00	26.89
MSWXE-70X82.2X8.1T	70	82.2	8.1	8.10 +0.20 +0.00	70.00	72.00 +0.19 +0.00	82.20 +0.087 +0.000	4.00	36.83
MSWXE-75X87.2X8.1T	75	87.2	8.1	8.10 +0.20 +0.00	75.00	77.00 +0.19 +0.00	87.20 +0.087 +0.000	4.00	43.67
MSWXE-80X92.2X8.1T	80	92.2	8.1	8.10 +0.20 +0.00	80.00	82.00 +0.22 +0.00	92.20 +0.087 +0.000	4.00	45.94
MSWXE-85X97.2X8.1T	85	97.2	8.1	8.10 +0.20 +0.00	85.00	87.00 +0.22 +0.00	97.20 +0.087 +0.000	4.00	48.11
MSWXE-90X102.2X8.1T	90	102.2	8.1	8.10 +0.20 +0.00	90.00	92.00 +0.22 +0.00	102.20 +0.087 +0.000	4.00	50.51

STYLE MSWXE-T SNAP-IN WIPERS

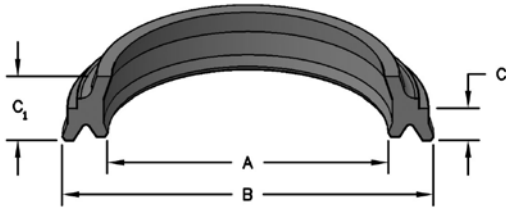


Part Number	A Nom. ID	B Nom. OD	C Nom. Ht	D GROOVE WIDTH	E ROD DIAMETER	F THROAT DIAMETER	G HOUSING DIAMETER	D ₂ OUTER THROAT DEPTH	List Price
MSWXE-100X112.2X8.1T	100	112.2	8.1	8.10 ^{+0.20} / _{+0.00}	100.00	102.00 ^{+0.22} / _{+0.00}	112.20 ^{+0.087} / _{+0.000}	4.00	52.42
MSWXE-110X122.2X8.1T	110	122.2	8.1	8.10 ^{+0.20} / _{+0.00}	110.00	112.00 ^{+0.22} / _{+0.00}	122.20 ^{+0.10} / _{+0.00}	4.00	61.53
MSWXE-120X132.2X8.1T	120	132.2	8.1	8.10 ^{+0.20} / _{+0.00}	120.00	122.00 ^{+0.25} / _{+0.00}	132.20 ^{+0.10} / _{+0.00}	4.00	69.46
MSWXE-125X137.2X8.1T	125	137.2	8.1	8.10 ^{+0.20} / _{+0.00}	125.00	127.00 ^{+0.25} / _{+0.00}	137.20 ^{+0.10} / _{+0.00}	4.00	69.70
MSWXE-130X142.2X8.1T	130	142.2	8.1	8.10 ^{+0.20} / _{+0.00}	130.00	132.00 ^{+0.25} / _{+0.00}	142.20 ^{+0.10} / _{+0.00}	4.00	69.82
MSWXE-135X147.2X8.1T	135	147.2	8.1	8.10 ^{+0.20} / _{+0.00}	135.00	137.00 ^{+0.25} / _{+0.00}	147.20 ^{+0.10} / _{+0.00}	4.00	77.75
MSWXE-140X156X9.5T	140	156	9.5	9.50 ^{+0.20} / _{+0.00}	140.00	142.50 ^{+0.25} / _{+0.00}	156.00 ^{+0.10} / _{+0.00}	5.00	149.48
MSWXE-150X166X9.5T	150	166	9.5	9.50 ^{+0.20} / _{+0.00}	150.00	152.50 ^{+0.25} / _{+0.00}	166.00 ^{+0.10} / _{+0.00}	5.00	153.67
MSWXE-160X176X9.5T	160	176	9.5	9.50 ^{+0.20} / _{+0.00}	160.00	162.50 ^{+0.25} / _{+0.00}	176.00 ^{+0.10} / _{+0.00}	5.00	157.98
MSWXE-165X181X9.5T	165	181	9.5	9.50 ^{+0.20} / _{+0.00}	165.00	167.50 ^{+0.25} / _{+0.00}	181.00 ^{+0.115} / _{+0.000}	5.00	167.70
MSWXE-170X186X9.5T	170	186	9.5	9.50 ^{+0.20} / _{+0.00}	170.00	172.50 ^{+0.25} / _{+0.00}	186.00 ^{+0.115} / _{+0.000}	5.00	168.66
MSWXE-175X191X9.5T	175	191	9.5	9.50 ^{+0.20} / _{+0.00}	175.00	177.50 ^{+0.25} / _{+0.00}	191.00 ^{+0.115} / _{+0.000}	5.00	173.59
MSWXE-180X196X9.5T	180	196	9.5	9.50 ^{+0.20} / _{+0.00}	180.00	182.50 ^{+0.29} / _{+0.00}	196.00 ^{+0.115} / _{+0.000}	5.00	177.19

WIPER RINGS

STYLE MSWSHN SNAP-IN WIPERS

Molded in nitrile, this wiper features a double lip which prevents fluid that seeps by the rod seal from exiting the cylinder. It features a double-stepped shoulder to fit tightly in the gland throat.



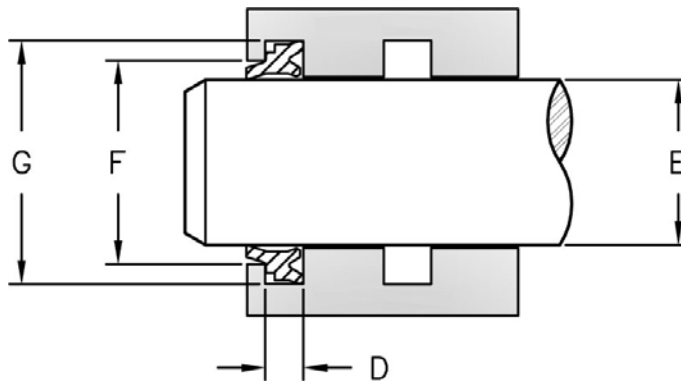
HERCULES PART NUMBERS

MSWSHN 25 X 33 X 6

Type of Seal Inside Diameter Outside Diameter Height

SEAL INFORMATION

MATERIAL	90A NITRILE
TEMPERATURE RANGE	-22° TO 230°F
SPEED	3 FT/SEC



WIPER RINGS

Part Number	A Nom. ID	B Nom. OD	C Nom. Ht	C ₁ OVERALL HEIGHT	D GROOVE WIDTH	E ROD DIAMETER	F THROAT DIAMETER	G HOUSING DIAMETER	List Price
MSWSHN-25X33X6	25	33	6	8.00	6.00 ^{+0.20} / _{+0.00}	25.00 ^{-0.020} / _{-0.053}	28.50 ^{+0.13} / _{+0.00}	33.00 ^{+0.062} / _{+0.000}	\$7.16
MSWSHN-30X38X6	30	38	6	8.00	6.00 ^{+0.20} / _{+0.00}	30.00 ^{-0.020} / _{-0.053}	33.50 ^{+0.16} / _{+0.00}	38.00 ^{+0.062} / _{+0.000}	6.87
MSWSHN-32X40X6	32	40	6	8.00	6.00 ^{+0.20} / _{+0.00}	32.00 ^{-0.025} / _{-0.064}	35.50 ^{+0.16} / _{+0.00}	40.00 ^{+0.062} / _{+0.000}	7.32
MSWSHN-35X43X6	35	43	6	8.00	6.00 ^{+0.20} / _{+0.00}	35.00 ^{-0.025} / _{-0.064}	38.50 ^{+0.16} / _{+0.00}	43.00 ^{+0.062} / _{+0.000}	8.22
MSWSHN-36X44X6	36	44	6	8.00	6.00 ^{+0.20} / _{+0.00}	36.00 ^{-0.025} / _{-0.064}	39.50 ^{+0.16} / _{+0.00}	44.00 ^{+0.062} / _{+0.000}	7.66
MSWSHN-38X46X6	38	46	6	8.00	6.00 ^{+0.20} / _{+0.00}	38.00 ^{-0.025} / _{-0.064}	41.50 ^{+0.16} / _{+0.00}	46.00 ^{+0.062} / _{+0.000}	8.33
MSWSHN-40X48X6	40	48	6	8.00	6.00 ^{+0.20} / _{+0.00}	40.00 ^{-0.025} / _{-0.064}	43.50 ^{+0.16} / _{+0.00}	48.00 ^{+0.062} / _{+0.000}	7.84
MSWSHN-45X53X6	45	53	6	8.00	6.00 ^{+0.20} / _{+0.00}	45.00 ^{-0.025} / _{-0.064}	48.50 ^{+0.16} / _{+0.00}	53.00 ^{+0.074} / _{+0.000}	8.27
MSWSHN-50X58X6	50	58	6	8.00	6.00 ^{+0.20} / _{+0.00}	50.00 ^{-0.025} / _{-0.064}	53.50 ^{+0.19} / _{+0.00}	58.00 ^{+0.074} / _{+0.000}	8.04
MSWSHN-55X63X6	55	63	6	8.00	6.00 ^{+0.20} / _{+0.00}	55.00 ^{-0.030} / _{-0.076}	58.50 ^{+0.19} / _{+0.00}	63.00 ^{+0.074} / _{+0.000}	10.54
MSWSHN-60X68X6	60	68	6	8.00	6.00 ^{+0.20} / _{+0.00}	60.00 ^{-0.030} / _{-0.076}	63.50 ^{+0.19} / _{+0.00}	68.00 ^{+0.074} / _{+0.000}	9.29
MSWSHN-63X71X6	63	71	6	8.00	6.00 ^{+0.20} / _{+0.00}	63.00 ^{-0.030} / _{-0.076}	66.50 ^{+0.19} / _{+0.00}	71.00 ^{+0.074} / _{+0.000}	9.33
MSWSHN-65X73X6	65	73	6	8.00	6.00 ^{+0.20} / _{+0.00}	65.00 ^{-0.030} / _{-0.076}	68.50 ^{+0.19} / _{+0.00}	73.00 ^{+0.074} / _{+0.000}	9.91
MSWSHN-70X78X6	70	78	6	8.00	6.00 ^{+0.20} / _{+0.00}	70.00 ^{-0.030} / _{-0.076}	73.50 ^{+0.19} / _{+0.00}	78.00 ^{+0.074} / _{+0.000}	9.71

STYLE MSWSHN SNAP-IN WIPERS

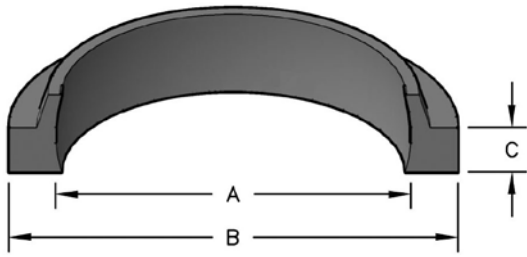


Part Number	A Nom. ID	B Nom. OD	C Nom. Ht	C ₁ OVERALL HEIGHT	D GROOVE WIDTH	E ROD DIAMETER	F THROAT DIAMETER	G HOUSING DIAMETER	List Price
MSWSHN-75X83X6	75	83	6	8.00	6.00 ^{+0.20} / _{+0.00}	75.00 ^{-0.030} / _{-0.076}	78.50 ^{+0.19} / _{+0.00}	83.00 ^{+0.087} / _{+0.000}	11.68
MSWSHN-80X88X6	80	88	6	8.00	6.00 ^{+0.20} / _{+0.00}	80.00 ^{-0.030} / _{-0.076}	83.50 ^{+0.22} / _{+0.00}	88.00 ^{+0.087} / _{+0.000}	12.08
MSWSHN-85X93X6	85	93	6	8.00	6.00 ^{+0.20} / _{+0.00}	85.00 ^{-0.036} / _{-0.090}	88.50 ^{+0.22} / _{+0.00}	93.00 ^{+0.087} / _{+0.000}	13.35
MSWSHN-90X98X6	90	98	6	8.00	6.00 ^{+0.20} / _{+0.00}	90.00 ^{-0.036} / _{-0.090}	93.50 ^{+0.22} / _{+0.00}	98.00 ^{+0.087} / _{+0.000}	13.22
MSWSHN-95X103X6	95	103	6	8.00	6.00 ^{+0.20} / _{+0.00}	95.00 ^{-0.036} / _{-0.090}	98.50 ^{+0.22} / _{+0.00}	103.00 ^{+0.087} / _{+0.000}	16.40
MSWSHN-100X108X6	100	108	6	8.00	6.00 ^{+0.20} / _{+0.00}	100.00 ^{-0.036} / _{-0.090}	103.50 ^{+0.22} / _{+0.00}	108.00 ^{+0.087} / _{+0.000}	13.64
MSWSHN-110X122X8.2	110	122	8.2	11.00	8.20 ^{+0.20} / _{+0.00}	110.00 ^{-0.036} / _{-0.090}	115.00 ^{+0.22} / _{+0.00}	122.00 ^{+0.10} / _{+0.00}	16.52
MSWSHN-120X132X8.2	120	132	8.2	11.00	8.20 ^{+0.20} / _{+0.00}	120.00 ^{-0.036} / _{-0.090}	125.00 ^{+0.25} / _{+0.00}	132.00 ^{+0.10} / _{+0.00}	20.10
MSWSHN-125X137X8.2	125	137	8.2	11.00	8.20 ^{+0.20} / _{+0.00}	125.00 ^{-0.043} / _{-0.106}	130.00 ^{+0.25} / _{+0.00}	137.00 ^{+0.10} / _{+0.00}	20.87

WIPER RINGS

STYLE MSWN SNAP-IN WIPERS

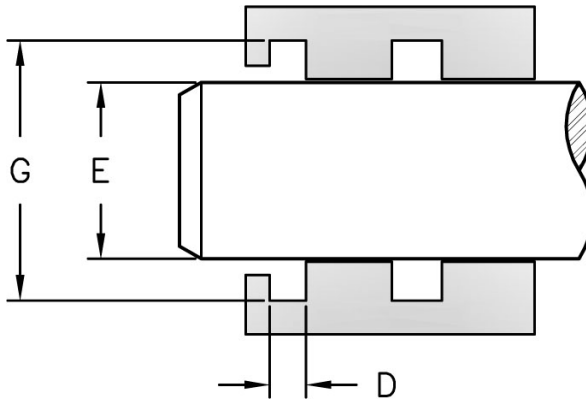
This medium duty wiper is molded in nitrile rubber.



HERCULES PART NUMBERS

MSWN - 18 X 26 X 5
 Type of Seal Inside Diameter Outside Diameter Height

SEAL INFORMATION	
MATERIAL	NITRILE
TEMPERATURE RANGE	-22° TO +212° F
SPEED	3 FT/SEC



WIPER RINGS

Part Number	A Nom. ID	B Nom. OD	C Nom. Ht	D GROOVE WIDTH	E ROD DIAMETER	G HOUSING DIAMETER	List Price
MSWN-18X26X5	18	26	5	5.30 +0.20 -0.00	18.00 -0.016 -0.059	26.00 +0.13 +0.00	\$4.05
MSWN-20X28X4	20	28	4	4.10 +0.20 +0.00	20.00 -0.020 -0.072	28.00 +0.13 +0.00	8.03
MSWN-28X36X4	28	36	4	4.10 +0.20 +0.00	28.00 -0.020 -0.072	36.00 +0.16 +0.00	8.47
MSWN-30X42X6	30	42	6	6.30 +0.20 +0.00	30.00 -0.020 -0.072	42.00 +0.16 +0.00	6.52
MSWN-32X40X5	32	40	5	5.00 +0.20 +0.00	32.00 -0.025 -0.087	40.00 +0.16 +0.00	12.28
MSWN-32X44X6	32	44	6	6.30 +0.20 +0.00	32.00 -0.025 -0.087	44.00 +0.16 +0.00	6.52
MSWN-35X47X6	35	47	6	6.30 +0.20 +0.00	35.00 -0.025 -0.087	47.00 +0.16 +0.00	11.85
MSWN-36X44X5	36	44	5	5.30 +0.10 +0.00	36.00 -0.025 -0.087	44.60 +0.16 +0.00	7.67
MSWN-36X48X6	36	48	6	6.30 +0.20 +0.00	36.00 -0.025 -0.087	48.00 +0.16 +0.00	8.03
MSWN-38X46X5	38	46	5	5.30 +0.20 +0.00	38.00 -0.025 -0.087	46.00 +0.16 +0.00	12.09
MSWN-40X48X3	40	48	3	3.10 +0.20 +0.00	40.00 -0.025 -0.087	48.00 +0.16 +0.00	18.66
MSWN-40X49X3	40	49	3	3.10 +0.20 +0.00	40.00 -0.025 -0.087	49.00 +0.16 +0.00	21.29
MSWN-40X52X6	40	52	6	6.30 +0.20 +0.00	40.00 -0.025 -0.087	52.00 +0.19 +0.00	6.65
MSWN-45X57X4.8	45	57	4.8	5.00 +0.20 +0.00	45.00 -0.025 -0.087	57.00 +0.19 +0.00	23.96
MSWN-45X57X6	45	57	6	6.30 +0.20 +0.00	45.00 -0.025 -0.087	57.00 +0.19 +0.00	8.03
MSWN-50X62X5	50	62	5	5.30 +0.20 +0.00	50.00 -0.025 -0.087	62.00 +0.19 +0.00	16.84
MSWN-50X62X6	50	62	6	6.30 +0.20 +0.00	50.00 -0.025 -0.087	62.00 +0.19 +0.00	7.16

Seals On Demand, our custom seal program. Please call your regional sales team for assistance.

STYLE MSWN SNAP-IN WIPERS



Part Number	A Nom. ID	B Nom. OD	C Nom. Ht	D GROOVE WIDTH	E ROD DIAMETER	G HOUSING DIAMETER	List Price
MSWN-55X65X5	55	65	5	5.30 +0.20 +0.00	55.00 -0.030 -0.104	65.00 +0.19 +0.00	7.56
MSWN-55X67X6	55	67	6	6.30 +0.20 +0.00	55.00 -0.030 -0.104	67.00 +0.19 +0.00	13.42
MSWN-56X66X5	56	66	5	5.30 +0.20 +0.00	56.00 -0.030 -0.104	66.00 +0.19 +0.00	6.52
MSWN-60X68.6X5	60	68.6	5	5.30 +0.20 +0.00	60.00 -0.030 -0.104	68.60 +0.20 +0.00	9.54
MSWN-60X70X5	60	70	5	5.30 +0.20 +0.00	60.00 -0.030 -0.104	70.00 +0.19 +0.00	9.36
MSWN-63X73X5	63	73	5	5.30 +0.20 +0.00	63.00 -0.030 -0.104	73.00 +0.19 +0.00	8.03
MSWN-65X75X5	65	75	5	5.30 +0.20 +0.00	65.00 -0.030 -0.104	75.00 +0.19 +0.00	10.27
MSWN-70X80X5	70	80	5	5.30 +0.20 +0.00	70.00 -0.030 -0.104	80.00 +0.19 +0.00	9.17
MSWN-70X82X6	70	82	6	6.30 +0.20 +0.00	70.00 -0.030 -0.104	82.00 +0.22 +0.00	12.29
MSWN-70X82X7	70	82	7	7.10 +0.20 +0.00	70.00 -0.030 -0.104	82.00 +0.22 +0.00	9.17
MSWN-75X83X5	75	83	5	5.30 +0.20 +0.00	75.00 -0.030 -0.104	83.00 +0.22 +0.00	10.44
MSWN-75X87X3.8	75	87	3.8	4.00 +0.20 +0.00	75.00 -0.030 -0.104	87.00 +0.22 +0.00	28.24
MSWN-80X90X6	80	90	6	6.30 +0.20 +0.00	80.00 -0.030 -0.104	90.00 +0.22 +0.00	16.37
MSWN-85X97X7	85	97	7	7.10 +0.20 +0.00	85.00 -0.036 -0.123	97.00 +0.22 +0.00	11.41
MSWN-90X102X7	90	102	7	7.10 +0.20 +0.00	90.00 -0.036 -0.123	102.00 +0.22 +0.00	11.37
MSWN-100X112X7	100	112	7	7.10 +0.20 +0.00	100.00 -0.036 -0.123	112.00 +0.22 +0.00	12.98
MSWN-105X117X7	105	117	7	7.10 +0.20 +0.00	105.00 -0.036 -0.123	117.00 +0.22 +0.00	31.72
MSWN-110X122X7	110	122	7	7.10 +0.20 +0.00	110.00 -0.036 -0.123	122.20 +0.20 +0.00	16.10
MSWN-140X152X7	140	152	7	7.10 +0.20 +0.00	140.00 -0.043 -0.143	152.00 +0.25 +0.00	21.01
MSWN-140X155X10	140	155	10	10.20 +0.20 +0.00	140.00 -0.043 -0.143	155.00 +0.25 +0.00	20.22
MSWN-160X175X10	160	175	10	10.20 +0.20 +0.00	160.00 -0.043 -0.143	175.00 +0.25 +0.00	21.44
MSWN-200X220X10	200	220	10	10.20 +0.20 +0.00	200.00 -0.050 -0.165	220.00 +0.29 +0.00	22.99
MSWN-240X260X10	240	260	10	10.20 +0.20 +0.00	240.00 -0.050 -0.165	260.00 +0.32 +0.00	25.56

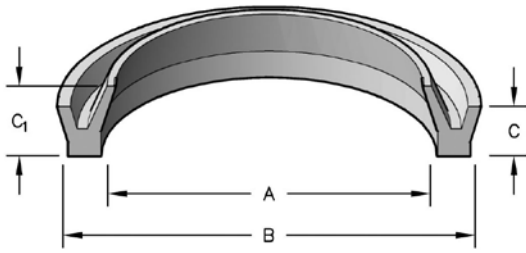
WIPER RINGS

Seal color may vary. Special order sizes are available. Sizes not shown and out of stock items can also be ordered for next day delivery through Seals On Demand, our custom seal program. Please call your regional sales team for assistance.



STYLE CSWM SNAP-IN WIPERS

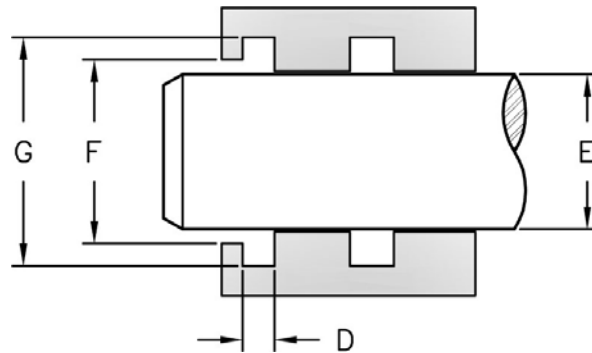
This wiper is a heavy duty scraper molded from a hard nylon material.



HERCULES PART NUMBERS

CSWM - 25 X 38 X 6
Type of Seal Inside Diameter Outside Diameter Height

SEAL INFORMATION	
MATERIAL	NYLON
TEMPERATURE RANGE	-40° TO +212° F
SPEED	3 FT/SEC



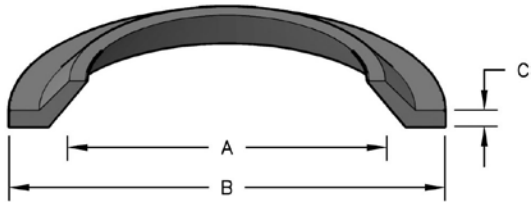
WIPER RINGS

Part Number	A Nom. ID	B Nom. OD	C Nom. Ht	C ₁ OVERALL HEIGHT	D GROOVE WIDTH	E ROD DIAMETER	F THROAT DIAMETER	G HOUSING DIAMETER	List Price
CSWM-25X38X6	25	38	6	8.50	6.00 ^{+0.25} / _{+0.00}	25.00	36.50 ^{+0.10} / _{+0.00}	38.00 ^{+0.10} / _{+0.00}	\$7.96
CSWM-28X41X6	28	41	6	8.50	6.00 ^{+0.25} / _{+0.00}	28.00	39.50 ^{+0.10} / _{+0.00}	41.00 ^{+0.10} / _{+0.00}	7.96
CSWM-30X43X6	30	43	6	8.50	6.00 ^{+0.25} / _{+0.00}	30.00	41.50 ^{+0.10} / _{+0.00}	43.00 ^{+0.10} / _{+0.00}	8.63
CSWM-32X45X6	32	45	6	8.50	6.00 ^{+0.25} / _{+0.00}	32.00	43.50 ^{+0.10} / _{+0.00}	45.00 ^{+0.10} / _{+0.00}	7.96
CSWM-36X49X6	36	49	6	8.50	6.00 ^{+0.25} / _{+0.00}	36.00	47.50 ^{+0.10} / _{+0.00}	49.00 ^{+0.10} / _{+0.00}	8.84
CSWM-40X53X6	40	53	6	8.50	6.00 ^{+0.25} / _{+0.00}	40.00	51.50 ^{+0.10} / _{+0.00}	53.00 ^{+0.10} / _{+0.00}	9.07
CSWM-45X58X6	45	58	6	8.50	6.00 ^{+0.25} / _{+0.00}	45.00	56.50 ^{+0.10} / _{+0.00}	58.00 ^{+0.10} / _{+0.00}	8.84
CSWM-50X63X6	50	63	6	8.50	6.00 ^{+0.25} / _{+0.00}	50.00	61.50 ^{+0.10} / _{+0.00}	63.00 ^{+0.10} / _{+0.00}	10.40
CSWM-55X68X6	55	68	6	8.50	6.00 ^{+0.25} / _{+0.00}	55.00	66.50 ^{+0.10} / _{+0.00}	68.00 ^{+0.10} / _{+0.00}	15.50
CSWM-56X69X6	56	69	6	8.50	6.00 ^{+0.25} / _{+0.00}	56.00	67.50 ^{+0.10} / _{+0.00}	69.00 ^{+0.10} / _{+0.00}	11.71
CSWM-60X73X6	60	73	6	8.50	6.00 ^{+0.25} / _{+0.00}	60.00	71.50 ^{+0.10} / _{+0.00}	73.00 ^{+0.10} / _{+0.00}	11.95
CSWM-63X76X6	63	76	6	8.50	6.00 ^{+0.25} / _{+0.00}	63.00	74.50 ^{+0.10} / _{+0.00}	76.00 ^{+0.10} / _{+0.00}	14.83
CSWM-70X83X6	70	83	6	8.50	6.00 ^{+0.25} / _{+0.00}	70.00	81.50 ^{+0.10} / _{+0.00}	83.00 ^{+0.10} / _{+0.00}	9.07
CSWM-75X88X6	75	88	6	8.50	6.00 ^{+0.25} / _{+0.00}	75.00	86.50 ^{+0.10} / _{+0.00}	88.00 ^{+0.10} / _{+0.00}	62.59
CSWM-80X93X6	80	93	6	8.50	6.00 ^{+0.25} / _{+0.00}	80.00	91.50 ^{+0.10} / _{+0.00}	93.00 ^{+0.10} / _{+0.00}	16.16
CSWM-90X103X6	90	103	6	8.50	6.00 ^{+0.25} / _{+0.00}	90.00	101.50 ^{+0.10} / _{+0.00}	103.00 ^{+0.10} / _{+0.00}	17.69
CSWM-100X113X6	100	113	6	8.50	6.00 ^{+0.25} / _{+0.00}	100.00	111.50 ^{+0.10} / _{+0.00}	113.00 ^{+0.10} / _{+0.00}	19.27

STYLE MDK SNAP-IN WIPERS



Molded in nitrile, this wiper is for light duty applications.



HERCULES PART NUMBERS

MDK - 30 X 37.5 X 1.6
 Type of Seal Inside Diameter Outside Diameter Height

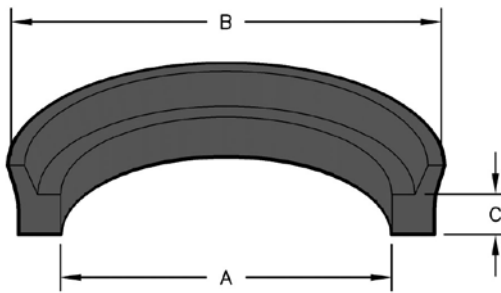
SEAL INFORMATION	
MATERIAL	NITRILE
TEMPERATURE RANGE	-22° TO +212° F
SPEED	3 FT/SEC

Part Number	A Nom. ID	B Nom. OD	C Nom. Ht	List Price
MDK-25X33.6X1.6U	25	33.6	1.6	\$11.03
MDK-30X37.5X1.6	30	37.5	1.6	15.10
MDK-32X39.5X1.6	32	39.5	1.6	19.34
MDK-33X40.5X1.6	33	40.5	1.6	15.28
MDK-50X60X2.15	50	60	2.15	19.28
MDK-55X65X2.15	55	65	2.15	40.91
MDK-63X73X2.15	63	73	2.15	24.72
MDK-70X80X2.15	70	80	2.15	36.56
MDK-74X87X3.3	74	87	3.3	16.66
MDK-80X90X2.15	80	90	2.15	31.46
MDK-90X100X2.15	90	100	2.15	47.41
MDK-100X110X2.15	100	110	2.15	39.78
MDK-140X150X2.15	140	150	2.15	55.05

WIPER RINGS

STYLE MDKP SNAP-IN WIPERS

The MDKP external wiper is primarily used in single acting cylinders with an opening to the atmosphere to prevent dust and contaminants from entering the cylinder.

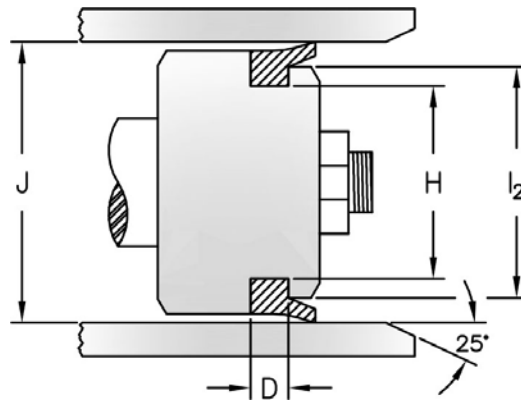


HERCULES PART NUMBERS

MDKP - 21.4 X 30 X 5.3
 Type of Seal Inside Diameter Outside Diameter Height

SEAL INFORMATION

MATERIAL	93A URETHANE
TEMPERATURE RANGE	-22° TO +212° F
SPEED	1.5 FT/SEC



WIPER RINGS

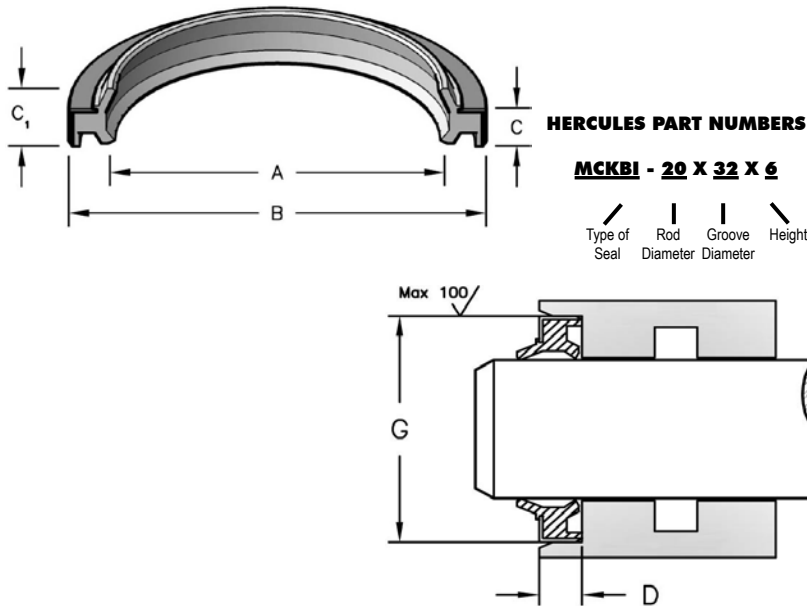
Part Number	A Nom. ID	B Nom. OD	C Nom. Ht	D GROOVE WIDTH	H GROOVE DIAMETER	l ₂ PISTON END DIAMETER	J BORE DIAMETER	List Price
MDKP-31.4X40X5.3	31.4	40	5.3	5.30 +0.25 +0.00	31.40 +0.10 +0.00	37.00	40.00 +0.10 +0.00	\$4.95
MDKP-41.4X50X5.3	41.4	50	5.3	5.30 +0.25 +0.00	41.40 +0.10 +0.00	47.00	50.00 +0.10 +0.00	5.59
MDKP-51.4X60X5.3	51.4	60	5.3	5.30 +0.25 +0.00	51.40 +0.10 +0.00	57.00	60.00 +0.12 +0.00	6.82
MDKP-54.4X63X5.3	54.4	63	5.3	5.30 +0.25 +0.00	54.40 +0.10 +0.00	60.00	63.00 +0.12 +0.00	7.22
MDKP-61.4X70X5.3	61.4	70	5.3	5.30 +0.25 +0.00	61.40 +0.10 +0.00	67.00	70.00 +0.12 +0.00	7.45
MDKP-71.4X80X5.3	71.4	80	5.3	5.30 +0.25 +0.00	71.40 +0.10 +0.00	77.00	80.00 +0.12 +0.00	7.64
MDKP-81.4X90X5.3	81.4	90	5.3	5.30 +0.25 +0.00	81.40 +0.10 +0.00	87.00	90.00 +0.14 +0.00	8.27
MDKP-86.4X95X5.3	86.4	95	5.3	5.30 +0.25 +0.00	86.40 +0.10 +0.00	92.00	95.00 +0.14 +0.00	9.06
MDKP-88X100X7.5	88	100	7.5	7.50 +0.25 +0.00	88.00 +0.10 +0.00	94.00	100.00 +0.14 +0.00	9.29
MDKP-91.4X100X5.3	91.4	100	5.3	5.30 +0.25 +0.00	91.40 +0.10 +0.00	97.00	100.00 +0.14 +0.00	9.29
MDKP-101.4X110X5.3	101.4	110	5.3	5.30 +0.25 +0.00	101.40 +0.10 +0.00	107.00	110.00 +0.14 +0.00	9.93
MDKP-100X115X10	100	115	10	10.00 +0.25 +0.00	100.00 +0.10 +0.00	107.50	115.00 +0.14 +0.00	10.35
MDKP-107X115X5	107	115	5	5.00 +0.25 +0.00	107.00 +0.10 +0.00	111.00	115.00 +0.14 +0.00	10.35

Seal color may vary. Special order sizes are available. Sizes not shown and out of stock items can also be ordered for next day delivery through Seals On Demand, our custom seal program. Please call your regional sales team for assistance.

STYLE MCKBI METAL CLAD WIPERS



Utilizing a double lip of urethane bonded to a carbon steel case, this wiper prevents contaminant ingress at the wiping lip and around the outer case.



SEAL INFORMATION	
MATERIAL	URETHANE
TEMPERATURE RANGE	-30° TO +200° F
SPEED	3 FT/SEC

Part Number	A Nom. ID	B Nom. OD	C Nom. Ht	C ₁ OVERALL HEIGHT	D GROOVE WIDTH	E ROD DIAMETER	G HOUSING DIAMETER	List Price
MCKBI-20X32X6	20	32	6	9.00	6.00 +0.50 -0.30	20.00 -0.020 -0.053	32.00 +0.039 +0.000	\$ 8.27
MCKBI-25X37X6	25	37	6	9.00	6.00 +0.50 -0.30	25.00 -0.020 -0.053	37.00 +0.039 +0.000	11.68
MCKBZ-25X37X6/9	25	37	6	9.00	6.00 +0.50 +0.00	25.00 -0.020 -0.053	37.00 +0.039 +0.000	21.54
MCKBI-30X42X6	30	42	6	9.00	6.00 +0.50 -0.30	30.00 -0.020 -0.053	42.00 +0.039 +0.000	26.14
MCKBI-32X44X7	32	44	7	10.00	7.00 +0.50 -0.30	32.00 -0.025 -0.064	44.00 +0.039 +0.000	7.80
MCKBI-35X47X7	35	47	7	10.00	7.00 +0.50 -0.30	35.00 -0.025 -0.064	47.00 +0.039 +0.000	27.57
MCKBI-36X47X7	36	47	7	10.00	7.00 +0.10 +0.00	36.00 +0.00 -0.16	47.00 +0.039 +0.000	32.93
MCKBI-40X50X7	40	50	7	10.00	7.00 +0.50 -0.30	40.00 -0.025 -0.064	50.00 +0.039 +0.000	30.97
MCKBI-40X52X7	40	52	7	10.00	7.00 +0.50 -0.30	40.00 -0.025 -0.064	52.00 +0.046 +0.000	33.71
MCKBI-45X57X7	45	57	7	10.00	7.00 +0.50 -0.30	45.00 -0.025 -0.064	57.00 +0.046 +0.000	36.59
MCKBI-50X62X7	50	62	7	10.00	7.00 +0.50 -0.30	50.00 -0.025 -0.064	62.00 +0.046 +0.000	37.05
MCKBI-50X64X8	50	64	8	11.50	8.00 +0.60 -0.40	50.00 -0.025 -0.064	64.00 +0.046 +0.000	40.59
MCKBI-55X69X8	55	69	8	11.00	8.00 +0.60 -0.40	55.00 -0.030 -0.076	69.00 +0.046 +0.000	44.11
MCKBI-60X74X8	60	74	8	11.00	8.00 +0.60 -0.40	60.00 -0.030 -0.076	74.00 +0.046 +0.000	47.82
MCKBI-65X79X8	65	79	8	11.00	8.00 +0.60 -0.40	65.00 -0.030 -0.076	79.00 +0.046 +0.000	50.69
MCKBI-70X82X7	70	82	7	10.00	7.00 +0.50 -0.30	70.00 -0.030 -0.076	82.00 +0.054 +0.000	52.55
MCKBI-70X84X8	70	84	8	11.00	8.00 +0.60 -0.40	70.00 -0.030 -0.076	84.00 +0.054 +0.000	54.39
MCKBI-75X87X7	75	87	7	10.00	7.00 +0.50 -0.30	75.00 -0.030 -0.076	87.00 +0.054 +0.000	55.64
MCKBI-75X89X8	75	89	8	11.00	8.00 +0.60 -0.40	75.00 -0.030 -0.076	89.00 +0.054 +0.000	58.48
MCKBI-80X92X7	80	92	7	10.00	7.00 +0.50 -0.30	80.00 -0.030 -0.076	92.00 +0.054 +0.000	66.55

WIPER RINGS



STYLE MCKBI METAL CLAD WIPERS

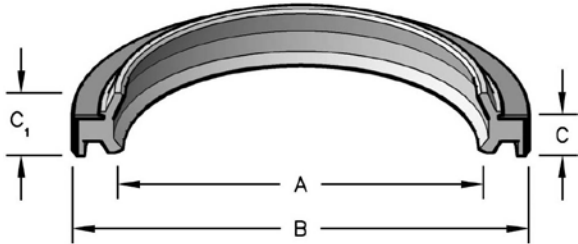
WIPER RINGS

Part Number	A Nom. ID	B Nom. OD	C Nom. Ht	C ₁ OVERALL HEIGHT	D GROOVE WIDTH	E ROD DIAMETER	G HOUSING DIAMETER	List Price
MCKBI-80X94X8	80	94	8	11.00	8.00 +0.60 -0.40	80.00 -0.030 -0.076	94.00 +0.054 +0.000	68.98
MCKBI-85X97X7	85	97	7	10.00	7.00 +0.50 -0.30	85.00 -0.036 -0.090	97.00 +0.054 +0.000	64.78
MCKBI-85X99X8	85	99	8	11.00	8.00 +0.60 -0.40	85.00 -0.036 -0.090	99.00 +0.054 +0.000	78.29
MCKBI-90X100X7	90	100	7	10.00	7.00 +0.50 -0.30	90.00 -0.036 -0.090	100.00 +0.054 +0.000	78.92
MCKBI-90X104X8	90	104	8	11.00	8.00 +0.60 -0.40	90.00 -0.036 -0.090	104.00 +0.054 +0.000	84.63
MCKBZ-90X104X8/11.5	90	104	8	11.50	8.00 +0.60 +0.40	90.00 -0.036 -0.090	104.00 +0.054 +0.000	83.63
MCKBI-95X107X9	95	107	9	13.00	9.00 +0.60 +0.40	95.00 -0.036 -0.090	107.00 +0.054 +0.000	91.75
MCKBI-95X109X8	95	109	8	11.00	8.00 +0.60 -0.40	95.00 -0.036 -0.090	109.00 +0.054 +0.000	43.99
MCKBI-100X114X8	100	114	8	11.00	8.00 +0.60 -0.40	100.00 -0.036 -0.090	114.00 +0.054 +0.000	88.87
MCKBZ-100X114X8/11.5	100	114	8	11.50	8.00 +0.60 +0.40	100.00 -0.036 -0.090	114.00 +0.054 +0.000	83.54
MCKBI-105X121X9	105	121	9	12.00	9.00 +0.60 -0.40	105.00 -0.036 -0.090	121.00 +0.063 +0.000	85.85
MCKBZ-105X121X9/12	105	121	9	12.00	10.00 +0.25 +0.10	105.00 -0.036 -0.071	121.00 +0.04 +0.00	28.15
MCKBI-110X126X9	110	126	9	12.00	9.00 +0.60 -0.40	110.00 -0.036 -0.090	126.00 +0.063 +0.000	91.02
MCKBZ-110X126X9/13	110	126	9	13.00	9.00 +0.60 +0.40	110.00 -0.036 -0.090	126.00 +0.063 +0.000	143.92
MCKBI-115X127X9	115	127	9	13.00	9.00 +0.60 -0.40	115.00 -0.036 -0.090	127.00 +0.063 +0.000	93.61
MCKBI-115X131X9	115	131	9	12.00	9.00 +0.60 -0.40	115.00 -0.036 -0.090	131.00 +0.063 +0.000	39.64
MCKBZ-115X131X9/12	115	131	9	12.00	10.00 +0.25 +0.10	115.00 -0.036 -0.071	131.00 +0.04 +0.00	43.45
MCKBI-120X136X9	120	136	9	12.00	9.00 +0.60 -0.40	120.00 -0.036 -0.090	136.00 +0.063 +0.000	99.61
MCKBZ-120X136X9/13	120	136	9	13.00	9.00 +0.60 +0.40	120.00 -0.036 -0.090	136.00 +0.063 +0.000	171.50
MCKBI-130X146X9	130	146	9	12.00	9.00 +0.60 -0.40	130.00 -0.043 -0.106	146.00 +0.063 +0.000	108.99
MCKBI-135X155X10	135	155	10	14.00	10.00 +0.60 -0.40	135.00 -0.043 -0.106	155.00 +0.063 +0.000	83.59
MCKBI-140X160X10	140	160	10	14.00	10.00 +0.60 -0.40	140.00 -0.043 -0.106	160.00 +0.063 +0.000	111.68
MCKBZ-140X160X10/15	140	160	10	15.00	10.00 +0.60 +0.40	140.00 -0.043 -0.106	160.00 +0.063 +0.000	178.48
MCKBI-145X165X10	145	165	10	14.00	10.00 +0.60 -0.40	145.00 -0.043 -0.106	165.00 +0.063 +0.000	113.58
MCKBI-150X170X10	150	170	10	14.00	10.00 +0.60 -0.40	150.00 -0.043 -0.106	170.00 +0.063 +0.000	117.12
MCKBI-155X175X10	155	175	10	14.00	10.00 +0.60 -0.40	155.00 -0.043 -0.106	175.00 +0.063 +0.000	118.39
MCKBI-160X180X10	160	180	10	14.00	10.00 +0.60 -0.40	160.00 -0.043 -0.106	180.00 +0.063 +0.000	144.42
MCKBI-165X185X10	165	185	10	14.00	10.00 +0.60 -0.40	165.00 -0.043 -0.106	185.00 +0.072 +0.000	93.19
MCKBI-170X190X10	170	190	10	14.00	10.00 +0.60 -0.40	170.00 -0.043 -0.106	190.00 +0.072 +0.000	161.05
MCKBI-170X190X10-LT	170	190	10	14.00	10.00 +0.60 -0.40	170.00 -0.043 -0.106	190.00 +0.072 +0.000	365.38
MCKBI-180X200X10	180	200	10	14.00	10.00 +0.60 +0.40	180.00 -0.043 -0.106	200.00 +0.072 +0.000	183.50
MCKBI-180X205X12	180	205	12	20.08	12.00 +0.60 +0.40	180.00 -0.043 -0.106	205.00 +0.072 +0.000	157.34
MCKBI-190X205X9	190	205	9	12.00	9.00 +0.60 -0.40	190.00 -0.050 -0.122	205.00 +0.072 +0.000	170.95

STYLE MCKBI-VE & MCKBI-BHT-VE METAL CLAD WIPERS



Utilizing a double lip of urethane bonded to a carbon steel case, this wiper prevents contaminant ingress at the wiping lip and around the outer case. All parts are vented through the inboard lip with either slots or holes.



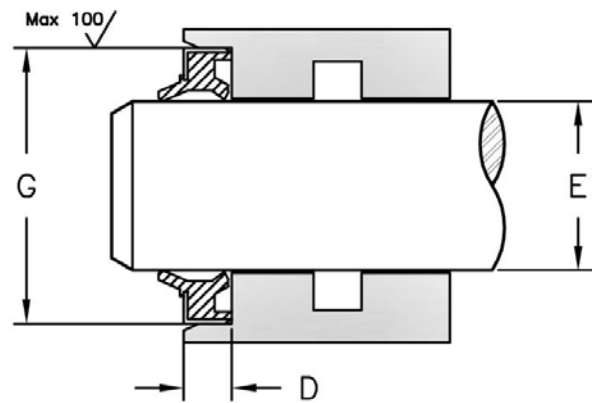
NOTE: BHT = Freudenberg AU30000 Urethane

SEAL INFORMATION	
MATERIAL	URETHANE
TEMPERATURE RANGE	-30° TO +200° F
SPEED	3 FT/SEC

HERCULES PART NUMBERS

MCKBI - 40 X 50 X 7 / 10 - VE

Type of Seal Rod Diameter Groove Diameter Base Overall Ht Overall Ht Vented



WIPER RINGS

Part Number	A Nom. ID	B Nom. OD	C Nom. Ht	C ₁ OVERALL HEIGHT	D GROOVE WIDTH	E ROD DIAMETER	G HOUSING DIAMETER	List Price
MCKBI-32X42X6.7/10-VE	32	42	6.7	10.00	7.00 +0.50 -0.30	32.00 -0.025 -0.064	42.00 +0.039 +0.000	\$8.24
MCKBI-35X45X7/10-BHT-VE	35	45	7	10.00	7.00 +0.50 -0.30	35.00 -0.025 -0.064	45.00 +0.039 +0.000	32.80
MCKBI-36X50X7.8/13-VE	36	50	7.8	13.00	7.80 +0.50 -0.30	36.00 -0.025 -0.064	50.00 +0.039 +0.000	8.56
MCKBI-40X50X7/10-BHT-VE	40	50	7	10.00	7.00 +0.50 -0.30	40.00 -0.025 -0.064	50.00 +0.039 +0.000	31.45
MCKBI-40X54X7.8/13-VE	40	54	7.8	13.00	7.80 +0.50 -0.30	40.00 -0.025 -0.064	54.00 +0.046 +0.000	9.36
MCKBI-45X55X7/10-BHT-VE	45	55	7	10.00	7.00 +0.50 -0.30	45.00 -0.025 -0.064	55.00 +0.046 +0.000	36.34
MCKBI-45X59X8/13-VE	45	59	7.8	13.00	7.80 +0.50 -0.30	45.00 -0.025 -0.064	59.00 +0.046 +0.000	9.31
MCKBI-50X60X7/10-BHT-VE	50	60	7	10.00	7.00 +0.50 -0.30	50.00 -0.025 -0.064	60.00 +0.046 +0.000	31.89
MCKBI-50X64X7.8/13-VE	50	64	7.8	13.00	7.80 +0.50 -0.30	50.00 -0.025 -0.064	64.00 +0.046 +0.000	10.70
MCKBI-55X65X7/10-BHT-VE	55	65	7	10.00	7.00 +0.50 -0.30	55.00 -0.030 -0.076	65.00 +0.046 +0.000	39.49
MCKBI-55X69X8-VE	55	69	8	11.00	8.00 +0.60 -0.40	55.00 -0.030 -0.076	69.00 +0.046 +0.000	28.28
MCKBI-56X70X7.8/13-VE	56	70	7.8	13.00	7.80 +0.50 -0.30	56.00 -0.030 -0.076	70.00 +0.046 +0.000	10.85
MCKBI-60X70X7/10-BHT-VE	60	70	7	10.00	7.00 +0.50 -0.30	60.00 -0.030 -0.076	70.00 +0.046 +0.000	27.85
MCKBI-60X74X8-VE	60	74	8	11.00	8.00 +0.60 -0.40	60.00 -0.030 -0.076	74.00 +0.046 +0.000	28.95
MCKBI-63X75X6.7/10-VE	63	75	6.7	10.00	7.00 +0.50 -0.30	63.00 -0.030 -0.076	75.00 +0.046 +0.000	8.80
MCKBI-63X77X8/13-VE	63	77	8	13.00	8.00 +0.60 -0.40	63.00 -0.030 -0.076	77.00 +0.046 +0.000	9.46
MCKBI-65X75X7/10-BHT-VE	65	75	7	10.00	7.00 +0.50 -0.30	65.00 -0.030 -0.076	75.00 +0.046 +0.000	29.25

FORMERLY LISTED REPAIR PARTS ARE AVAILABLE ONLINE AT WWW.HERCULESUS.COM OR BY CONTACTING YOUR REGIONAL HERCULES SALES TEAM.



STYLE MCKBI-VE & MCKBI-BHT-VE METAL CLAD WIPERS

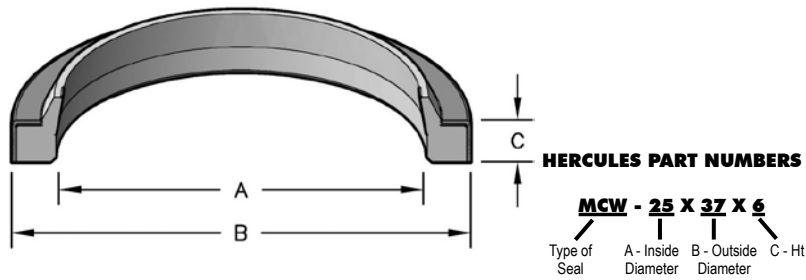
WIPER RINGS

Part Number	A Nom. ID	B Nom. OD	C Nom. Ht	C ₁ OVERALL HEIGHT	D GROOVE WIDTH	E ROD DIAMETER	G HOUSING DIAMETER	List Price
MCKBI-65X79X8-VE	65	79	8	11.00	8.00 +0.60 -0.40	65.00 -0.030 -0.076	79.00 +0.046 +0.000	31.12
MCKBI-70X80X7/10-BHT-VE	70	80	7	10.00	7.00 +0.50 -0.30	70.00 -0.030 -0.076	80.00 +0.046 +0.000	30.12
MCKBI-70X82X7-VE	70	82	7	10.00	7.00 +0.50 -0.30	70.00 -0.030 -0.076	82.00 +0.054 +0.000	27.41
MCKBI-70X84X8-VE	70	84	8	11.00	8.00 +0.60 -0.40	70.00 -0.030 -0.076	84.00 +0.054 +0.000	31.78
MCKBI-75X85X7/10-BHT-VE	75	85	7	10.00	7.00 +0.50 -0.30	75.00 -0.030 -0.076	85.00 +0.054 +0.000	81.62
MCKBI-75X89X8-VE	75	89	8	11.00	8.00 +0.60 -0.40	75.00 -0.030 -0.076	89.00 +0.054 +0.000	32.78
MCKBI-80X90X7/10-BHT-VE	80	90	7	10.00	7.00 +0.50 -0.30	80.00 -0.030 -0.076	90.00 +0.054 +0.000	50.86
MCKBI-80X94X8-VE	80	94	8	11.00	8.00 +0.60 -0.40	80.00 -0.030 -0.076	94.00 +0.054 +0.000	33.60
MCKBI-85X99X8-VE	85	99	8	11.00	8.00 +0.60 -0.40	85.00 -0.036 -0.090	99.00 +0.054 +0.000	23.29
MCKBI-90X100X7/10-BHT-VE	90	100	7	10.00	7.00 +0.50 -0.30	90.00 -0.036 -0.090	100.00 +0.054 +0.000	30.98
MCKBI-90X104X8-VE	90	104	8	11.00	8.00 +0.60 -0.40	90.00 -0.036 -0.090	104.00 +0.054 +0.000	86.30
MCKBI-95X109X8-VE	95	109	8	11.00	8.00 +0.60 -0.40	95.00 -0.036 -0.090	109.00 +0.054 +0.000	24.19
MCKBI-100X114X8-VE	100	114	8	11.00	8.00 +0.60 +0.40	100.00 -0.036 -0.090	114.00 +0.054 +0.000	21.17
MCKBI-105X121X9-VE	105	121	9	12.00	9.00 +0.60 -0.40	105.00 -0.036 -0.090	121.00 +0.063 +0.000	43.72
MCKBI-110X126X9-VE	110	126	9	12.00	9.00 +0.60 -0.40	110.00 -0.036 -0.090	126.00 +0.063 +0.000	26.32
MCKBI-115X131X9-VE	115	131	9	12.00	9.00 +0.60 -0.40	115.00 -0.036 -0.090	131.00 +0.063 +0.000	48.58
MCKBI-120X136X9-VE	120	136	9	12.00	9.00 +0.60 -0.40	120.00 -0.036 -0.090	136.00 +0.063 +0.000	101.58
MCKBI-130X146X9-VE	130	146	9	12.00	9.00 +0.60 -0.40	130.00 -0.043 -0.106	146.00 +0.063 +0.000	52.97
MCKBI-140X160X10-VE	140	160	10	14.00	10.00 +0.60 -0.40	140.00 -0.043 -0.106	160.00 +0.063 +0.000	68.23

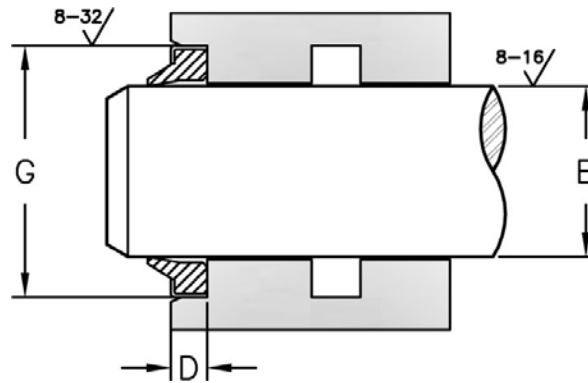
STYLE MCW METAL CLAD WIPERS



This wiper is a single lip design molded from high grade urethane and bonded to a carbon steel case.



SEAL INFORMATION	
MATERIAL	URETHANE
TEMPERATURE RANGE	-30° TO +200° F
SPEED	3 FT/SEC



Part Number	A Nom. ID	B Nom. OD	C Nom. Ht	D GROOVE WIDTH	E ROD DIAMETER	G HOUSING DIAMETER	List Price
MCW-25X37X6	25	37	6	6.00 +0.50 -0.30	25.00 -0.020 -0.053	37.00 +0.039 +0.000	\$24.67
MCW-28X38X5	28	38	5	5.00 +0.50 -0.30	28.00 -0.020 -0.053	38.00 +0.039 +0.000	12.04
MCW-30X42X6	30	42	6	6.00 +0.50 -0.30	30.00 -0.020 -0.053	42.00 +0.039 +0.000	24.67
MCW-30X45X7	30	45	7	7.00 +0.50 -0.30	30.00 -0.020 -0.053	45.00 +0.039 +0.000	29.64
MCW-32X44X7	32	44	7	7.00 +0.50 -0.30	32.00 -0.025 -0.064	44.00 +0.039 +0.000	32.06
MCW-32X45X7	32	45	7	7.00 +0.50 -0.30	32.00 -0.025 -0.064	45.00 +0.039 +0.000	30.08
MCW-32X52X8	32	52	8	8.00 +0.60 -0.40	32.00 -0.025 -0.064	52.00 +0.046 +0.000	41.73
MCW-35X45X7-860	35	45	7	7.00 +0.50 +0.00	35.00 -0.025 -0.087	45.00 +0.039 +0.000	24.97
MCW-35X47X7	35	47	7	7.00 +0.50 -0.30	35.00 -0.025 -0.064	47.00 +0.039 +0.000	26.03
MCW-38X50X7	38	50	7	7.00 +0.50 -0.30	38.00 -0.025 -0.064	50.00 +0.039 +0.000	43.78
MCW-40X50X7-860	40	50	7	7.00 +0.50 +0.00	40.00 -0.025 -0.087	50.00 +0.039 +0.000	26.92
MCW-40X52X7	40	52	7	7.00 +0.50 -0.30	40.00 -0.025 -0.064	52.00 +0.046 +0.000	31.80
MCW-45X57X7	45	57	7	7.00 +0.50 -0.30	45.00 -0.025 -0.064	57.00 +0.046 +0.000	34.70
MCW-50X60X7-860	50	60	7	7.00 +0.50 +0.00	50.00 -0.025 -0.087	60.00 +0.046 +0.000	30.52
MCW-50X62X7	50	62	7	7.00 +0.50 -0.30	50.00 -0.025 -0.064	62.00 +0.046 +0.000	36.43
MCW-55X69X8	55	69	8	8.00 +0.60 -0.40	55.00 -0.030 -0.076	69.00 +0.046 +0.000	41.64
MCW-56X70X8	56	70	8	8.00 +0.60 -0.40	56.00 -0.030 -0.076	70.00 +0.046 +0.000	41.73

WIPER RINGS

STYLE MCW METAL CLAD WIPERS

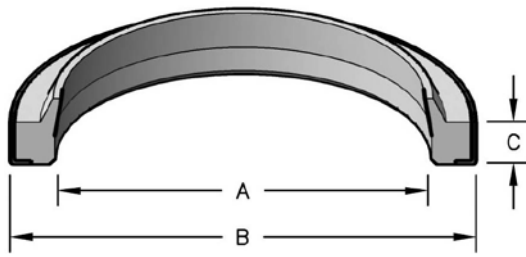
WIPER RINGS

Part Number	A Nom. ID	B Nom. OD	C Nom. Ht	D GROOVE WIDTH	E ROD DIAMETER	G HOUSING DIAMETER	List Price
MCW-60X74X8	60	74	8	8.00 +0.60 -0.40	60.00 -0.030 -0.076	74.00 +0.046 +0.000	45.12
MCW-63X73X7	63	73	7	7.00 +0.50 +0.00	63.00 -0.03 -0.10	73.00 +0.05 +0.00	19.90
MCW-63X77X8	63	77	8	8.00 +0.60 -0.40	63.00 -0.030 -0.076	77.00 +0.046 +0.000	17.43
MCW-65X79X8	65	79	8	8.00 +0.60 -0.40	65.00 -0.030 -0.076	79.00 +0.046 +0.000	47.85
MCW-70X84X8	70	84	8	8.00 +0.60 -0.40	70.00 -0.030 -0.076	84.00 +0.054 +0.000	51.36
MCW-75X89X8	75	89	8	8.00 +0.60 -0.40	75.00 -0.030 -0.076	89.00 +0.054 +0.000	55.20
MCW-80X94X8	80	94	8	8.00 +0.60 -0.40	80.00 -0.030 -0.076	94.00 +0.054 +0.000	65.10
MCW-85X99X8	85	99	8	8.00 +0.60 -0.40	85.00 -0.036 -0.090	99.00 +0.054 +0.000	73.90
MCW-90X104X8	90	104	8	8.00 +0.60 -0.40	90.00 -0.036 -0.090	104.00 +0.054 +0.000	79.87
MCW-95X109X8	95	109	8	8.00 +0.60 -0.40	95.00 -0.036 -0.090	109.00 +0.054 +0.000	81.69
MCW-100X114X8	100	114	8	8.00 +0.60 -0.40	100.00 -0.036 -0.090	114.00 +0.054 +0.000	83.87
MCW-105X119X9	105	119	9	9.00 +0.60 -0.40	105.00 -0.036 -0.090	119.00 +0.054 +0.000	85.36
MCW-105X121X9	105	121	9	9.00 +0.60 -0.40	105.00 -0.036 -0.090	121.00 +0.063 +0.000	81.05
MCW-110X126X9	110	126	9	9.00 +0.60 -0.40	110.00 -0.036 -0.090	126.00 +0.063 +0.000	85.93
MCW-115X131X9	115	131	9	9.00 +0.60 -0.40	115.00 -0.036 -0.090	131.00 +0.063 +0.000	75.99
MCW-120X130X7-860	120	130	7	7.00 +0.50 +0.00	120.00 -0.036 -0.123	130.00 +0.063 +0.000	55.95
MCW-120X136X9	120	136	9	9.00 +0.60 -0.40	120.00 -0.036 -0.090	136.00 +0.063 +0.000	94.01
MCW-130X146X9	130	146	9	9.00 +0.60 -0.40	130.00 -0.043 -0.106	146.00 +0.063 +0.000	102.88
MCW-140X160X10	140	160	10	10.00 +0.60 -0.40	140.00 -0.043 -0.106	160.00 +0.063 +0.000	105.41
MCW-150X170X10	150	170	10	10.00 +0.60 -0.40	150.00 -0.043 -0.106	170.00 +0.063 +0.000	110.52
MCW-160X180X10	160	180	10	10.00 +0.60 -0.40	160.00 -0.043 -0.106	180.00 +0.063 +0.000	136.29
MCW-180X205X12	180	205	12	12.00 +0.70 -0.50	180.00 -0.043 -0.106	205.00 +0.072 +0.000	123.38

STYLE MCWE METAL CLAD WIPERS



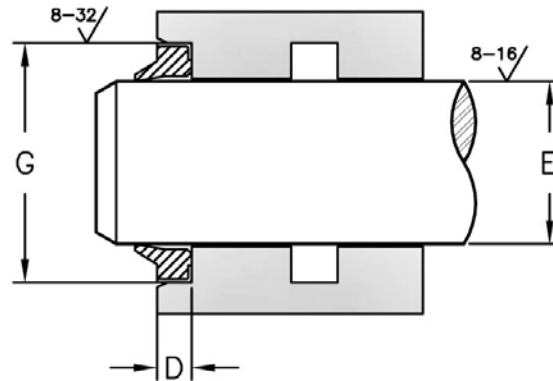
This wiper is molded from high grade urethane and bonded to a carbon steel case in a single lip design.



HERCULES PART NUMBERS

MCWE - 12 X 20 X 4
 Type of Seal A - Inside Diameter B - Outside Diameter C - Ht

SEAL INFORMATION	
MATERIAL	URETHANE
TEMPERATURE RANGE	-40° TO +200° F
SPEED	3 FT/SEC



WIPER RINGS

Part Number	A Nom. ID	B Nom. OD	C Nom. Ht	D GROOVE WIDTH	E ROD DIAMETER	G HOUSING DIAMETER	List Price
MCWE-12X20X4	12	20	4	4.50 +0.50 +0.00	12.00 -0.016 -0.034	20.00 +0.033 +0.000	\$23.03
MCWE-20X28X3.5	20	28	3.5	4.00 +0.50 +0.00	20.00 -0.020 -0.041	28.00 +0.033 +0.000	22.06
MCWE-20X30X5	20	30	5	5.50 +0.50 +0.00	20.00 -0.020 -0.041	30.00 +0.033 +0.000	35.10
MCWE-20X30X7	20	30	7	7.50 +0.50 +0.00	20.00 -0.020 -0.041	30.00 +0.033 +0.000	29.37
MCWE-25X35X7	25	35	7	7.50 +0.50 +0.00	25.00 -0.020 -0.041	35.00 +0.039 +0.000	34.52
MCWE-28X38X7	28	38	7	7.50 +0.50 +0.00	28.00 -0.020 -0.041	38.00 +0.039 +0.000	34.67
MCWE-30X40X5	30	40	5	5.50 +0.50 +0.00	30.00 -0.020 -0.041	40.00 +0.039 +0.000	37.74
MCWE-30X40X7	30	40	7	7.50 +0.50 +0.00	30.00 -0.020 -0.041	40.00 +0.039 +0.000	37.74
MCWE-32X42X7	32	42	7	7.50 +0.50 +0.00	32.00 -0.025 -0.050	42.00 +0.039 +0.000	38.37
MCWE-32X45X7	32	45	7	7.50 +0.50 +0.00	32.00 -0.025 -0.050	45.00 +0.039 +0.000	38.11
MCWE-35X45X7	35	45	7	7.50 +0.50 +0.00	35.00 -0.025 -0.050	45.00 +0.039 +0.000	38.70
MCWE-36X45X7	36	45	7	7.50 +0.50 +0.00	36.00 -0.025 -0.050	45.00 +0.039 +0.000	42.86
MCWE-36X46X7	36	46	7	7.50 +0.50 +0.00	36.00 -0.025 -0.050	46.00 +0.039 +0.000	39.05
MCWE-40X50X7	40	50	7	7.50 +0.50 +0.00	40.00 -0.025 -0.050	50.00 +0.039 +0.000	39.47
MCWE-42X52X7	42	52	7	7.50 +0.50 +0.00	42.00 -0.025 -0.050	52.00 +0.046 +0.000	41.01
MCWE-45X55X7	45	55	7	7.50 +0.50 +0.00	45.00 -0.025 -0.050	55.00 +0.046 +0.000	40.41
MCWE-50X60X7	50	60	7	7.50 +0.50 +0.00	50.00 -0.025 -0.050	60.00 +0.046 +0.000	41.95
MCWE-55X65X7	55	65	7	7.50 +0.50 +0.00	55.00 -0.03 -0.06	65.00 +0.046 +0.000	43.52



STYLE MCWE METAL CLAD WIPERS

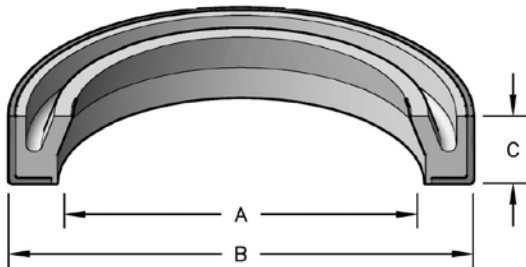
WIPER RINGS

Part Number	A Nom. ID	B Nom. OD	C Nom. Ht	D GROOVE WIDTH	E ROD DIAMETER	G HOUSING DIAMETER	List Price
MCWE-56X66X7	56	66	7	7.50 +0.50 +0.00	56.00 -0.03 -0.06	66.00 +0.046 +0.000	44.20
MCWE-60X70X7	60	70	7	7.50 +0.50 +0.00	60.00 -0.03 -0.06	70.00 +0.046 +0.000	44.87
MCWE-63X75X7	63	75	7	7.50 +0.50 +0.00	63.00 -0.03 -0.06	75.00 +0.046 +0.000	45.50
MCWE-65X75X7	65	75	7	7.50 +0.50 +0.00	65.00 -0.03 -0.06	75.00 +0.046 +0.000	45.58
MCWE-70X80X7	70	80	7	7.50 +0.50 +0.00	70.00 -0.03 -0.06	80.00 +0.046 +0.000	46.60
MCWE-80X90X7	80	90	7	7.50 +0.50 +0.00	80.00 -0.03 -0.06	90.00 +0.054 +0.000	47.95
MCWE-85X95X7	85	95	7	7.50 +0.50 +0.00	85.00 -0.036 -0.071	95.00 +0.054 +0.000	49.48
MCWE-90X100X7	90	100	7	7.50 +0.50 +0.00	90.00 -0.036 -0.071	100.00 +0.054 +0.000	51.77
MCWE-100X110X7	100	110	7	7.50 +0.50 +0.00	100.00 -0.036 -0.071	110.00 +0.054 +0.000	55.78
MCWE-105X115X7	105	115	7	7.50 +0.50 +0.00	105.00 -0.036 -0.071	115.00 +0.054 +0.000	78.09
MCWE-110X120X7	110	120	7	7.50 +0.50 +0.00	110.00 -0.036 -0.071	120.00 +0.054 +0.000	87.87
MCWE-115X125X7	115	125	7	7.50 +0.50 +0.00	115.00 -0.036 -0.071	125.00 +0.063 +0.000	97.97
MCWE-120X130X7	120	130	7	7.50 +0.50 +0.00	120.00 -0.036 -0.071	130.00 +0.063 +0.000	107.57
MCWE-130X146X9	130	146	9	9.50 +0.50 +0.00	130.00 -0.043 -0.083	146.00 +0.063 +0.000	66.74

STYLE MCWI & MCWIR METAL CLAD WIPERS

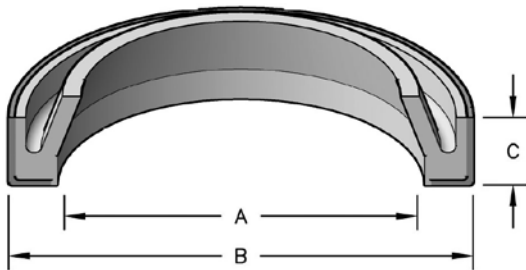
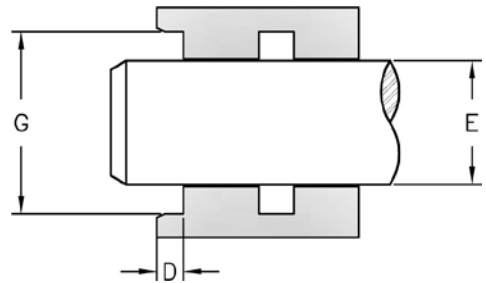


This wiper is a single lip design molded from high grade urethane and bonded to a carbon steel case.



HERCULES PART NUMBERS

MCWI - 35 X 47 X Z
 Type of Seal Inside Diameter Outside Diameter Height



HERCULES PART NUMBERS

MCWIR - 80 X 94 X 8 / 11.3
 Type of Seal Inside Diameter Outside Diameter Can Height Lip Height

SEAL INFORMATION

MATERIAL	URETHANE
TEMPERATURE RANGE	-30° TO +200° F
SPEED	3 FT/SEC

Part Number	A Nom. ID	B Nom. OD	C Nom. Ht	D GROOVE WIDTH	E ROD DIAMETER	G HOUSING DIAMETER	List Price
MCWI-25X39X4.2	25	39	4.2	4.20 +0.20 +0.00	25.00 +0.000 -0.052	39.00 +0.039 +0.000	\$7.19
MCWI-35X47X7	35	47	7	7.00 +0.50 -0.30	35.00 -0.025 -0.064	47.00 +0.039 +0.000	8.07
MCWI-35X50X9	35	50	9	9.00 +0.60 -0.40	35.00 -0.025 -0.064	50.00 +0.039 +0.000	39.07
MCWI-40X52X6	40	52	6	6.00 +0.50 -0.30	40.00 -0.025 -0.064	52.00 +0.046 +0.000	20.25
MCWI-40X52X7	40	52	7	7.00 +0.50 -0.30	40.00 -0.025 -0.064	52.00 +0.046 +0.000	21.38
MCWI-40X54X8	40	54	8	8.00 +0.60 -0.40	40.00 -0.025 -0.064	54.00 +0.046 +0.000	25.71
MCWI-40X55X9	40	55	9	9.00 +0.60 -0.40	40.00 -0.025 -0.064	55.00 +0.046 +0.000	34.40
MCWI-45X57X7	45	57	7	7.00 +0.50 -0.30	45.00 -0.025 -0.064	57.00 +0.046 +0.000	15.13
MCWI-45X60X7.5	45	60	7.5	7.50 +0.60 -0.40	45.00 -0.025 -0.064	60.00 +0.046 +0.000	45.20
MCWI-45X60X9	45	60	9	9.00 +0.60 -0.40	45.00 -0.025 -0.064	60.00 +0.046 +0.000	57.51
MCWI-50X64X8	50	64	8	8.00 +0.60 -0.40	50.00 -0.025 -0.064	64.00 +0.046 +0.000	58.92
MCWI-50X65X7.5	50	65	7.5	7.50 +0.50 -0.30	50.00 -0.025 -0.064	65.00 +0.046 +0.000	24.38
MCWI-50X65X9	50	65	9	9.00 +0.60 -0.40	50.00 -0.025 -0.064	65.00 +0.046 +0.000	31.16
MCWI-55X69X8	55	69	8	8.00 +0.60 -0.40	55.00 -0.030 -0.076	69.00 +0.046 +0.000	17.84
MCWI-56X70X7.5	56	70	7.5	7.50 +0.50 -0.30	56.00 -0.030 -0.076	70.00 +0.046 +0.000	27.19
MCWI-56X71X9	56	71	9	9.00 +0.60 -0.40	56.00 -0.030 -0.076	71.00 +0.046 +0.000	32.45

Seal color may vary. Special order sizes are available. Please call your regional sales team for assistance.



STYLE MCWI & MCWIR METAL CLAD WIPERS

WIPER RINGS

Part Number	A Nom. ID	B Nom. OD	C Nom. Ht	D GROOVE WIDTH	E ROD DIAMETER	G HOUSING DIAMETER	List Price
MCWI-60X70X7	60	70	7	7.00 +0.50 -0.30	60.00 -0.030 -0.076	70.00 +0.046 +0.000	37.18
MCWI-60X73X6	60	73	6	6.00 +0.50 -0.30	60.00 -0.030 -0.076	73.00 +0.046 +0.000	37.23
MCWI-60X74X8	60	74	8	8.00 +0.60 -0.40	60.00 -0.030 -0.076	74.00 +0.046 +0.000	22.39
MCWI-60X75X6	60	75	6	6.00 +0.50 -0.30	60.00 -0.030 -0.076	75.00 +0.046 +0.000	57.07
MCWI-60X75X7.5	60	75	7.5	7.50 +0.50 -0.30	60.00 -0.030 -0.076	75.00 +0.046 +0.000	22.38
MCWI-63X78X7.5	63	78	7.5	7.50 +0.60 -0.40	63.00 -0.030 -0.076	78.00 +0.046 +0.000	25.87
MCWI-63X78X9	63	78	9	9.00 +0.60 -0.40	63.00 -0.030 -0.076	78.00 +0.046 +0.000	37.73
MCWI-65X79X8	65	79	8	8.00 +0.60 -0.40	65.00 -0.030 -0.076	79.00 +0.046 +0.000	20.54
MCWI-70X80X7	70	80	7	7.00 +0.50 -0.30	70.00 +0.000 -0.074	80.00 +0.046 +0.000	43.99
MCWI-70X84X8	70	84	8	8.00 +0.60 -0.40	70.00 -0.030 -0.076	84.00 +0.054 +0.000	21.52
MCWI-70X85X7	70	85	7	7.00 +0.50 -0.30	70.00 -0.030 -0.076	85.00 +0.054 +0.000	42.69
MCWI-70X85X7.5	70	85	7.5	7.50 +0.50 -0.30	70.00 -0.030 -0.076	85.00 +0.054 +0.000	37.11
MCWI-70X85X8	70	85	8	8.00 +0.60 -0.40	70.00 -0.030 -0.076	85.00 +0.054 +0.000	48.35
MCWI-75X89X8	75	89	8	8.00 +0.60 -0.40	75.00 -0.030 -0.076	89.00 +0.054 +0.000	22.83
MCWI-75X90X8	75	90	8	8.00 +0.60 +0.40	75.00 +0.000 -0.074	90.00 +0.054 +0.000	46.67
MCWI-75X95X10	75	95	10	10.00 +0.60 -0.40	75.00 -0.030 -0.076	95.00 +0.054 +0.000	43.32
MCWI-80X90X7	80	90	7	7.00 +0.50 -0.30	80.00 -0.030 -0.076	90.00 +0.054 +0.000	50.35
MCWI-80X94X8	80	94	8	8.00 +0.60 -0.40	80.00 -0.030 -0.076	94.00 +0.054 +0.000	23.41
MCWIR-80X94X8/11.3	80	94	8	8.00 +0.60 +0.40	80.00 -0.030 -0.076	94.00 +0.054 +0.000	43.33
MCWI-80X95X8	80	95	8	8.00 +0.60 -0.40	80.00 -0.030 -0.076	95.00 +0.054 +0.000	80.63
MCWI-80X100X7	80	100	7	7.00 +0.50 -0.30	80.00 -0.030 -0.076	100.00 +0.054 +0.000	101.07
MCWI-85X99X8	85	99	8	8.00 +0.60 -0.40	85.00 -0.036 -0.090	99.00 +0.054 +0.000	23.41
MCWIR-85X99X8/13	85	99	8	8.00 +0.60 +0.40	85.00 -0.036 -0.090	99.00 +0.054 +0.000	45.87
MCWI-85X100X8	85	100	8	8.00 +0.60 +0.40	85.00 +0.000 -0.087	100.00 +0.054 +0.000	47.22
MCWI-90X104X8	90	104	8	8.00 +0.60 -0.40	90.00 -0.036 -0.090	104.00 +0.054 +0.000	23.41
MCWIR-90X104X8/13	90	104	8	8.00 +0.60 +0.40	90.00 -0.036 -0.090	104.00 +0.054 +0.000	47.48
MCWI-90X105X6	90	105	6	6.00 +0.50 -0.30	90.00 -0.036 -0.090	105.00 +0.054 +0.000	81.00
MCWI-90X105X7	90	105	7	7.00 +0.50 -0.30	90.00 -0.036 -0.090	105.00 +0.054 +0.000	99.75
MCWI-90X105X8	90	105	8	8.00 +0.60 -0.40	90.00 -0.036 -0.090	105.00 +0.054 +0.000	102.98
MCWI-90X106X8	90	106	8	8.00 +0.60 -0.40	90.00 -0.036 -0.090	106.00 +0.054 +0.000	56.32
MCWI-95X109X8	95	109	8	8.00 +0.60 -0.40	95.00 -0.036 -0.090	109.00 +0.054 +0.000	56.54
MCWI-95X110X8	95	110	8	8.00 +0.60 -0.40	95.00 -0.036 -0.090	110.00 +0.054 +0.000	27.01
MCWI-100X114X8	100	114	8	8.00 +0.60 -0.40	100.00 -0.036 -0.090	114.00 +0.054 +0.000	29.98

STYLE MCWI & MCWIR METAL CLAD WIPERS



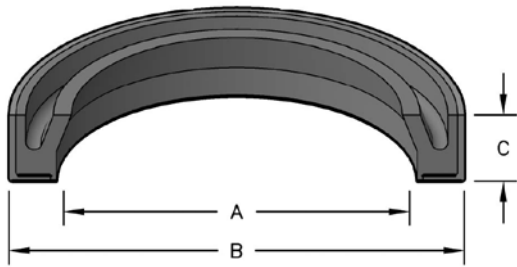
Part Number	A Nom. ID	B Nom. OD	C Nom. Ht	D GROOVE WIDTH	E ROD DIAMETER	G HOUSING DIAMETER	List Price
MCWIR-100X114X8/13	100	114	8	8.00 ^{+0.60} _{+0.40}	100.00 ^{-0.036} _{-0.090}	114.00 ^{+0.054} _{+0.000}	73.03
MCWI-100X115X7	100	115	7	7.00 ^{+0.50} _{-0.30}	100.00 ^{-0.036} _{-0.090}	115.00 ^{+0.054} _{+0.000}	57.81
MCWI-100X116X8	100	116	8	8.00 ^{+0.60} _{-0.40}	100.00 ^{-0.036} _{-0.090}	116.00 ^{+0.054} _{+0.000}	69.75
MCWI-105X121X9	105	121	9	9.00 ^{+0.60} _{-0.40}	105.00 ^{-0.036} _{-0.090}	121.00 ^{+0.063} _{+0.000}	33.67
MCWI-110X125X8	110	125	8	8.00 ^{+0.60} _{-0.40}	110.00 ^{-0.036} _{-0.090}	125.00 ^{+0.063} _{+0.000}	89.54
MCWI-110X126X8	110	126	8	8.00 ^{+0.60} _{-0.40}	110.00 ^{-0.036} _{-0.090}	126.00 ^{+0.063} _{+0.000}	75.72
MCWI-110X126X9	110	126	9	9.00 ^{+0.60} _{-0.40}	110.00 ^{-0.036} _{-0.090}	126.00 ^{+0.063} _{+0.000}	36.40
MCWIR-110X126X9/15	110	126	9	9.00 ^{+0.60} _{+0.40}	110.00 ^{-0.036} _{-0.090}	126.00 ^{+0.063} _{+0.000}	83.92
MCWI-110X130X8	110	130	8	8.00 ^{+0.60} _{-0.40}	110.00 ^{-0.036} _{-0.090}	130.00 ^{+0.063} _{+0.000}	90.18
MCWI-110X130X10	110	130	10	10.00 ^{+0.60} _{-0.40}	110.00 ^{-0.036} _{-0.090}	130.00 ^{+0.063} _{+0.000}	91.43
MCWI-120X135X8	120	135	8	8.00 ^{+0.60} _{-0.40}	120.00 ^{-0.036} _{-0.090}	135.00 ^{+0.063} _{+0.000}	114.37
MCWI-120X136X9	120	136	9	9.00 ^{+0.60} _{-0.40}	120.00 ^{-0.036} _{-0.090}	136.00 ^{+0.063} _{+0.000}	51.80
MCWIR-120X136X9/15	120	136	9	9.00 ^{+0.60} _{+0.40}	120.00 ^{-0.036} _{-0.090}	136.00 ^{+0.063} _{+0.000}	84.44
MCWI-120X140X10	120	140	10	10.00 ^{+0.60} _{-0.40}	120.00 ^{-0.036} _{-0.090}	140.00 ^{+0.063} _{+0.000}	118.51
MCWI-125X140X8	125	140	8	8.00 ^{+0.60} _{-0.40}	125.00 ^{-0.043} _{-0.106}	140.00 ^{+0.063} _{+0.000}	113.29
MCWI-125X140X9	125	140	9	9.00 ^{+0.60} _{-0.40}	125.00 ^{-0.043} _{-0.106}	140.00 ^{+0.063} _{+0.000}	117.00
MCWI-130X146X9	130	146	9	9.00 ^{+0.60} _{-0.40}	130.00 ^{-0.043} _{-0.106}	146.00 ^{+0.063} _{+0.000}	54.20
MCWI-140X160X10	140	160	10	10.00 ^{+0.60} _{-0.40}	140.00 ^{-0.043} _{-0.106}	160.00 ^{+0.063} _{+0.000}	54.90
MCWI-150X170X10	150	170	10	10.00 ^{+0.60} _{-0.40}	150.00 ^{-0.043} _{-0.106}	170.00 ^{+0.063} _{+0.000}	73.75
MCWI-160X180X10	160	180	10	10.00 ^{+0.60} _{-0.40}	160.00 ^{-0.043} _{-0.106}	180.00 ^{+0.063} _{+0.000}	74.38

WIPER RINGS



STYLE MCWIN SNAP-IN WIPERS

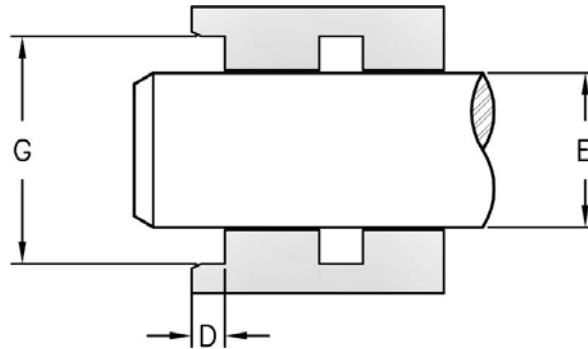
This wiper is a single lip design molded from high grade nitrile and bonded to a carbon steel case.



HERCULES PART NUMBERS

MCWIN - 30 X 40 X 6
 Type of Seal: MCWIN
 Inside Diameter: 30
 Outside Diameter: 40
 Height: 6

SEAL INFORMATION	
MATERIAL	80 NBR/STEEL
TEMPERATURE RANGE	-13° TO +212° F
SPEED	3 FT/SEC



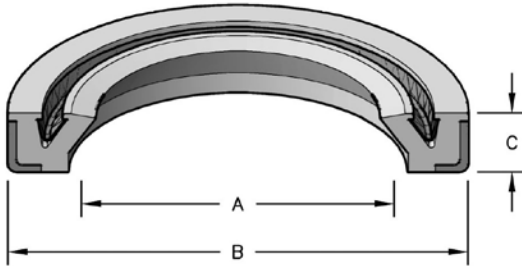
WIPER RINGS

Part Number	A Nom. ID	B Nom. OD	C Nom. Ht	D GROOVE WIDTH	E ROD DIAMETER	G HOUSING DIAMETER	List Price
MCWIN-30X40X6	30	40	6	6.00 +0.50 -0.30	30.00 -0.020 -0.053	40.00 +0.039 +0.000	\$ 12.58
MCWIN-35X45X6	35	45	6	6.00 +0.50 -0.30	35.00 -0.025 -0.064	45.00 +0.039 +0.000	13.58
MCWIN-40X50X6	40	50	6	6.00 +0.50 -0.30	40.00 -0.025 -0.064	50.00 +0.039 +0.000	15.13
MCWIN-45X55X6	45	55	6	6.00 +0.50 -0.30	45.00 -0.025 -0.064	55.00 +0.046 +0.000	17.12
MCWIN-50X62X7	50	62	7	7.00 +0.50 -0.30	50.00 -0.025 -0.064	62.00 +0.046 +0.000	21.18
MCWIN-55X67X7	55	67	7	7.00 +0.50 -0.30	55.00 -0.030 -0.076	67.00 +0.046 +0.000	22.68
MCWIN-60X72X7	60	72	7	7.00 +0.50 -0.30	60.00 -0.030 -0.076	72.00 +0.046 +0.000	25.19
MCWIN-65X77X7	65	77	7	7.00 +0.50 -0.30	65.00 -0.030 -0.076	77.00 +0.046 +0.000	27.71
MCWIN-75X87X7	75	87	7	7.00 +0.50 -0.30	75.00 -0.030 -0.076	87.00 +0.054 +0.000	32.83
MCWIN-85X97X7	85	97	7	7.00 +0.50 -0.30	85.00 -0.036 -0.090	97.00 +0.054 +0.000	49.25

STYLE MCWS METAL CLAD WIPERS



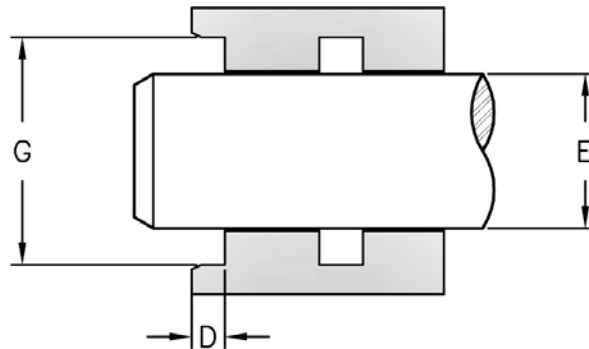
Molded from high grade urethane and bonded to a carbon steel case, this wiper utilizes a stainless steel finger spring to maintain a high radial force on the rod.



HERCULES PART NUMBERS

MCWS - 32 X 42 X 7
 Type of Seal Inside Diameter Outside Diameter Height

SEAL INFORMATION	
MATERIAL	URETHANE
TEMPERATURE RANGE	-40° TO +200° F
SPEED	3 FT/SEC



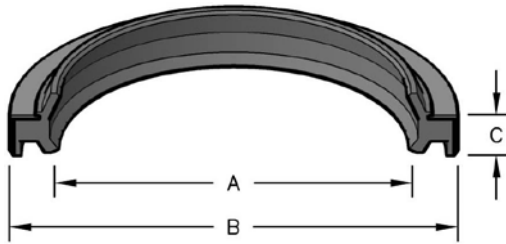
Part Number	A Nom. ID	B Nom. OD	C Nom. Ht	D GROOVE WIDTH	E ROD DIAMETER	G HOUSING DIAMETER	List Price
MCWS-32X42X7	32	42	7	7.00 +0.50 +0.30	32.00 -0.025 -0.064	42.00 +0.10 +0.00	\$31.24
MCWS-40X50X7	40	50	7	7.00 +0.50 +0.30	40.00 -0.025 -0.064	50.00 +0.10 +0.00	36.76
MCWS-45X55X7	45	55	7	7.00 +0.50 +0.30	45.00 -0.025 -0.064	55.00 +0.12 +0.00	37.83
MCWS-50X60X7	50	60	7	7.00 +0.50 +0.30	50.00 -0.025 -0.064	60.00 +0.12 +0.00	39.01
MCWS-56X68X7	56	68	7	7.00 +0.50 +0.30	56.00 -0.030 -0.076	68.00 +0.12 +0.00	55.41
MCWS-63X75X7	63	75	7	7.00 +0.50 +0.30	63.00 -0.030 -0.076	75.00 +0.12 +0.00	36.48
MCWS-63X83X10	63	83	10	10.00 +0.60 +0.40	63.00 -0.030 -0.076	83.00 +0.14 +0.00	38.44
MCWS-70X90X10	70	90	10	10.00 +0.60 +0.40	70.00 -0.030 -0.076	90.00 +0.14 +0.00	68.78
MCWS-80X100X10	80	100	10	10.00 +0.60 +0.40	80.00 -0.030 -0.076	100.00 +0.14 +0.00	104.16

WIPER RINGS



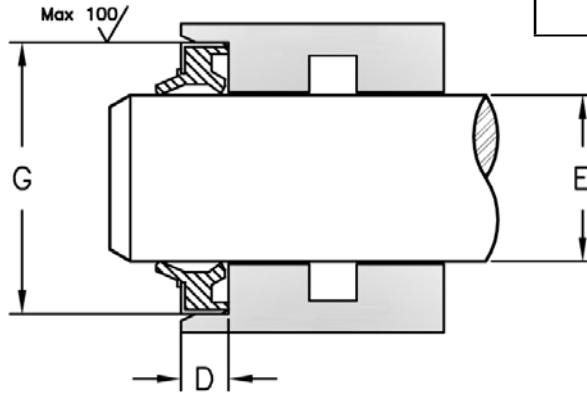
STYLE MCKB METAL CLAD WIPERS

Utilizing a double lip of nitrile bonded to a carbon steel case, this wiper prevents contaminant ingress at the wiping lip and around the outer case.



HERCULES PART NUMBERS

MCKB - 20 X 32 X 6
 Type of Seal Inside Diameter Outside Diameter Height



SEAL INFORMATION

MATERIAL	80A NITRILE
TEMPERATURE RANGE	-20° TO +250° F
SPEED	3 FT/SEC

WIPER RINGS

Part Number	A Nom. ID	B Nom. OD	C Nom. Ht	D GROOVE WIDTH	E ROD DIAMETER	G HOUSING DIAMETER	List Price
MCKB-20X32X6	20	32	6	6.00 ^{+0.50} / _{+0.30}	20.00 ^{-0.020} / _{-0.053}	32.00 ^{+0.039} / _{+0.000}	\$25.43
MCKB-22X32X6	22	32	6	6.00 ^{+0.50} / _{+0.30}	22.00 ^{-0.020} / _{-0.053}	32.00 ^{+0.039} / _{+0.000}	25.43
MCKB-22X34X6	22	34	6	6.00 ^{+0.50} / _{+0.30}	22.00 ^{-0.020} / _{-0.053}	34.00 ^{+0.039} / _{+0.000}	27.20
MCKB-25X37X6	25	37	6	6.00 ^{+0.50} / _{+0.30}	25.00 ^{-0.020} / _{-0.053}	37.00 ^{+0.039} / _{+0.000}	25.79
MCKB-30X42X6	30	42	6	6.00 ^{+0.50} / _{+0.30}	30.00 ^{-0.020} / _{-0.053}	42.00 ^{+0.039} / _{+0.000}	25.79
MCKB-30X45X6	30	45	6	6.00 ^{+0.50} / _{+0.30}	30.00 ^{-0.020} / _{-0.053}	45.00 ^{+0.039} / _{+0.000}	25.79
MCKB-30X47X7	30	47	7	7.00 ^{+0.50} / _{+0.30}	30.00 ^{-0.020} / _{-0.053}	47.00 ^{+0.039} / _{+0.000}	36.59
MCKB-32X52X8	32	52	8	8.00 ^{+0.60} / _{+0.40}	32.00 ^{-0.025} / _{-0.064}	52.00 ^{+0.046} / _{+0.000}	29.82
MCKB-35X47X7	35	47	7	7.00 ^{+0.50} / _{+0.30}	35.00 ^{-0.025} / _{-0.064}	47.00 ^{+0.039} / _{+0.000}	27.20
MCKB-36X48X7	36	48	7	7.00 ^{+0.50} / _{+0.30}	36.00 ^{-0.025} / _{-0.064}	48.00 ^{+0.039} / _{+0.000}	49.26
MCKB-40X52X7	40	52	7	7.00 ^{+0.50} / _{+0.30}	40.00 ^{-0.025} / _{-0.064}	52.00 ^{+0.046} / _{+0.000}	33.24
MCKB-40X62X8	40	62	8	8.00 ^{+0.60} / _{+0.40}	40.00 ^{-0.025} / _{-0.064}	62.00 ^{+0.046} / _{+0.000}	47.73
MCKB-45X57X7	45	57	7	7.00 ^{+0.50} / _{+0.30}	45.00 ^{-0.025} / _{-0.064}	57.00 ^{+0.046} / _{+0.000}	36.24
MCKB-50X62X7	50	62	7	7.00 ^{+0.50} / _{+0.30}	50.00 ^{-0.025} / _{-0.064}	62.00 ^{+0.046} / _{+0.000}	38.06
MCKB-50X72X8	50	72	8	8.00 ^{+0.60} / _{+0.40}	50.00 ^{-0.025} / _{-0.064}	72.00 ^{+0.046} / _{+0.000}	85.12
MCKB-55X69X8	55	69	8	8.00 ^{+0.60} / _{+0.40}	55.00 ^{-0.030} / _{-0.076}	69.00 ^{+0.046} / _{+0.000}	43.50
MCKB-60X74X8	60	74	8	8.00 ^{+0.60} / _{+0.40}	60.00 ^{-0.030} / _{-0.076}	74.00 ^{+0.046} / _{+0.000}	47.15
MCKB-63X77X8	63	77	8	8.00 ^{+0.60} / _{+0.40}	63.00 ^{-0.030} / _{-0.076}	77.00 ^{+0.046} / _{+0.000}	53.27

STYLE MCKB METAL CLAD WIPERS

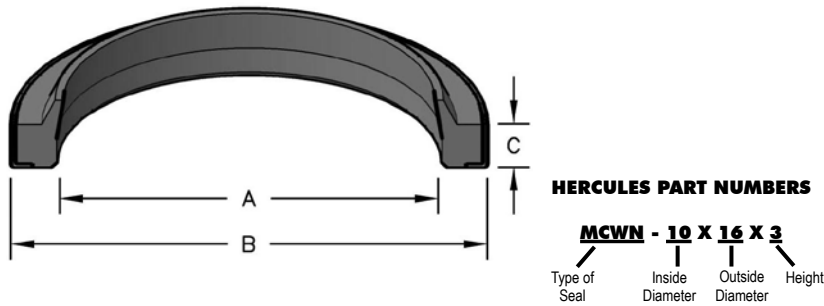


Part Number	A Nom. ID	B Nom. OD	C Nom. Ht	D GROOVE WIDTH	E ROD DIAMETER	G HOUSING DIAMETER	List Price
MCKB-65X79X8	65	79	8	8.00 ^{+0.60} / _{+0.40}	65.00 ^{-0.030} / _{-0.076}	79.00 ^{+0.046} / _{+0.000}	49.99
MCKB-70X84X8	70	84	8	8.00 ^{+0.60} / _{+0.40}	70.00 ^{-0.030} / _{-0.076}	84.00 ^{+0.054} / _{+0.000}	53.66
MCKB-75X89X8	75	89	8	8.00 ^{+0.60} / _{+0.40}	75.00 ^{-0.030} / _{-0.076}	89.00 ^{+0.054} / _{+0.000}	57.66
MCKB-80X94X8	80	94	8	8.00 ^{+0.60} / _{+0.40}	80.00 ^{-0.030} / _{-0.076}	94.00 ^{+0.054} / _{+0.000}	68.03
MCKB-85X99X8	85	99	8	8.00 ^{+0.60} / _{+0.40}	85.00 ^{-0.036} / _{-0.090}	99.00 ^{+0.054} / _{+0.000}	77.19
MCKB-90X104X8	90	104	8	8.00 ^{+0.60} / _{+0.40}	90.00 ^{-0.036} / _{-0.090}	104.00 ^{+0.054} / _{+0.000}	83.45
MCKB-95X109X8	95	109	8	8.00 ^{+0.60} / _{+0.40}	95.00 ^{-0.036} / _{-0.090}	109.00 ^{+0.054} / _{+0.000}	85.37
MCKB-100X114X8	100	114	8	8.00 ^{+0.60} / _{+0.40}	100.00 ^{-0.036} / _{-0.090}	114.00 ^{+0.054} / _{+0.000}	87.61
MCKB-105X121X9	105	121	9	9.00 ^{+0.60} / _{+0.40}	105.00 ^{-0.036} / _{-0.090}	121.00 ^{+0.063} / _{+0.000}	36.52
MCKB-112X128X9	112	128	9	9.00 ^{+0.60} / _{+0.40}	112.00 ^{-0.036} / _{-0.090}	128.00 ^{+0.063} / _{+0.000}	138.91
MCKB-115X131X9	115	131	9	9.00 ^{+0.60} / _{+0.40}	115.00 ^{-0.036} / _{-0.090}	131.00 ^{+0.063} / _{+0.000}	40.45

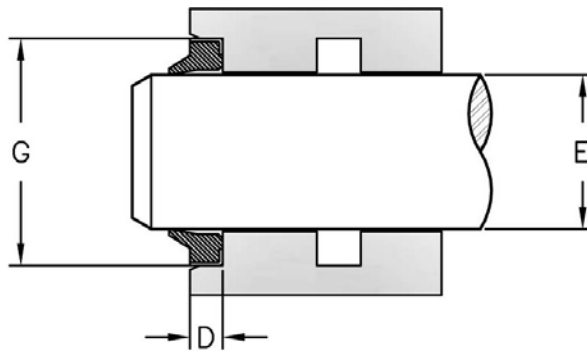
WIPER RINGS

STYLE MCWN METAL CLAD WIPERS

This wiper is a single lip design molded from high grade nitrile and bonded to a carbon steel case.



SEAL INFORMATION	
MATERIAL	NITRILE
TEMPERATURE RANGE	-30° TO +220° F
SPEED	3 FT/SEC



WIPER RINGS

Part Number	A Nom. ID	B Nom. OD	C Nom. Ht	D GROOVE WIDTH	E ROD DIAMETER	G HOUSING DIAMETER	List Price
MCWN-10X16X3	10	16	3	3.00 ^{+0.20} / _{+0.00}	10.00 ^{-0.013} / _{-0.035}	16.00 ^{+0.027} / _{+0.000}	\$3.84
MCWN-12X18X3.5	12	18	3.5	3.50 ^{+0.20} / _{+0.00}	12.00 ^{-0.016} / _{-0.043}	18.00 ^{+0.027} / _{+0.000}	5.48
MCWN-12X20X4	12	20	4	4.00 ^{+0.20} / _{+0.00}	12.00 ^{-0.016} / _{-0.043}	20.00 ^{+0.033} / _{+0.000}	3.84
MCWN-12X22X5	12	22	5	5.00 ^{+0.20} / _{+0.00}	12.00 ^{-0.016} / _{-0.043}	22.00 ^{+0.033} / _{+0.000}	4.15
MCWN-15X25X5	15	25	5	5.00 ^{+0.20} / _{+0.00}	15.00 ^{-0.016} / _{-0.043}	25.00 ^{+0.033} / _{+0.000}	3.84
MCWN-16X22X3	16	22	3	3.00 ^{+0.20} / _{+0.00}	16.00 ^{-0.016} / _{-0.043}	22.00 ^{+0.033} / _{+0.000}	11.21
MCWN-16X26X5	16	26	5	5.00 ^{+0.20} / _{+0.00}	16.00 ^{-0.016} / _{-0.043}	26.00 ^{+0.033} / _{+0.000}	6.28
MCWN-18X26X3	18	26	3	3.00 ^{+0.20} / _{+0.00}	18.00 ^{-0.016} / _{-0.043}	26.00 ^{+0.033} / _{+0.000}	5.48
MCWN-18X28X7	18	28	7	7.00 ^{+0.20} / _{+0.00}	18.00 ^{-0.016} / _{-0.043}	28.00 ^{+0.033} / _{+0.000}	7.99
MCWN-20X26X5	20	26	5	5.00 ^{+0.20} / _{+0.00}	20.00 ^{-0.020} / _{-0.053}	26.00 ^{+0.033} / _{+0.000}	14.86
MCWN-20X28X3.5	20	28	3.5	3.50 ^{+0.20} / _{+0.00}	20.00 ^{-0.020} / _{-0.053}	28.00 ^{+0.033} / _{+0.000}	3.59
MCWN-20X28X5	20	28	5	5.00 ^{+0.20} / _{+0.00}	20.00 ^{-0.020} / _{-0.053}	28.00 ^{+0.033} / _{+0.000}	3.84
MCWN-20X30X4	20	30	4	4.00 ^{+0.20} / _{+0.00}	20.00 ^{-0.020} / _{-0.053}	30.00 ^{+0.033} / _{+0.000}	4.15
MCWN-20X30X5	20	30	5	5.00 ^{+0.20} / _{+0.00}	20.00 ^{-0.020} / _{-0.053}	30.00 ^{+0.033} / _{+0.000}	4.38
MCWN-20X30X7	20	30	7	7.00 ^{+0.20} / _{+0.00}	20.00 ^{-0.020} / _{-0.053}	30.00 ^{+0.033} / _{+0.000}	4.15
MCWN-22X28X5	22	28	5	5.00 ^{+0.20} / _{+0.00}	22.00 ^{-0.020} / _{-0.053}	28.00 ^{+0.033} / _{+0.000}	4.15

Seal color may vary. Special order sizes are available.

STYLE MCWN METAL CLAD WIPERS



WIPER RINGS

Part Number	A Nom. ID	B Nom. OD	C Nom. Ht	D GROOVE WIDTH	E ROD DIAMETER	G HOUSING DIAMETER	List Price
MCWN-22X32X5	22	32	5	5.00 ^{+0.20} / _{+0.00}	22.00 ^{-0.020} / _{-0.053}	32.00 ^{+0.039} / _{+0.000}	3.84
MCWN-22X32X7	22	32	7	7.00 ^{+0.20} / _{+0.00}	22.00 ^{-0.020} / _{-0.053}	32.00 ^{+0.039} / _{+0.000}	3.84
MCWN-25X33X4	25	33	4	4.00 ^{+0.20} / _{+0.00}	25.00 ^{-0.020} / _{-0.053}	33.00 ^{+0.039} / _{+0.000}	4.15
MCWN-25X35X5	25	35	5	5.00 ^{+0.20} / _{+0.00}	25.00 ^{-0.020} / _{-0.053}	35.00 ^{+0.039} / _{+0.000}	12.85
MCWN-25X35X7	25	35	7	7.00 ^{+0.20} / _{+0.00}	25.00 ^{-0.020} / _{-0.053}	35.00 ^{+0.039} / _{+0.000}	4.15
MCWN-28X38X5	28	38	5	5.00 ^{+0.20} / _{+0.00}	28.00 ^{-0.020} / _{-0.053}	38.00 ^{+0.039} / _{+0.000}	4.38
MCWN-28X38X7	28	38	7	7.00 ^{+0.20} / _{+0.00}	28.00 ^{-0.020} / _{-0.053}	38.00 ^{+0.039} / _{+0.000}	3.84
MCWN-28X40X7	28	40	7	7.00 ^{+0.20} / _{+0.00}	28.00 ^{-0.020} / _{-0.053}	40.00 ^{+0.039} / _{+0.000}	5.72
MCWN-30X40X5	30	40	5	5.00 ^{+0.20} / _{+0.00}	30.00 ^{-0.020} / _{-0.053}	40.00 ^{+0.039} / _{+0.000}	4.15
MCWN-30X40X7	30	40	7	7.00 ^{+0.20} / _{+0.00}	30.00 ^{-0.020} / _{-0.053}	40.00 ^{+0.039} / _{+0.000}	4.68
MCWN-32X40X4	32	40	4	4.00 ^{+0.20} / _{+0.00}	32.00 ^{-0.025} / _{-0.064}	40.00 ^{+0.039} / _{+0.000}	4.38
MCWN-32X42X5	32	42	5	5.00 ^{+0.20} / _{+0.00}	32.00 ^{-0.025} / _{-0.064}	42.00 ^{+0.039} / _{+0.000}	5.22
MCWN-32X42X7	32	42	7	7.00 ^{+0.20} / _{+0.00}	32.00 ^{-0.025} / _{-0.064}	42.00 ^{+0.039} / _{+0.000}	5.22
MCWN-32X45X4	32	45	4	4.00 ^{+0.20} / _{+0.00}	32.00 ^{-0.025} / _{-0.064}	45.00 ^{+0.039} / _{+0.000}	5.22
MCWN-32X45X7	32	45	7	7.00 ^{+0.20} / _{+0.00}	32.00 ^{-0.025} / _{-0.064}	45.00 ^{+0.039} / _{+0.000}	4.68
MCWN-33X43X7	33	43	7	7.00 ^{+0.20} / _{+0.00}	33.00 ^{-0.025} / _{-0.064}	43.00 ^{+0.039} / _{+0.000}	6.28
MCWN-35X45X7	35	45	7	7.00 ^{+0.20} / _{+0.00}	35.00 ^{-0.025} / _{-0.064}	45.00 ^{+0.039} / _{+0.000}	7.43
MCWN-35X47X7	35	47	7	7.00 ^{+0.20} / _{+0.00}	35.00 ^{-0.025} / _{-0.064}	47.00 ^{+0.039} / _{+0.000}	5.22
MCWN-36X46X5	36	46	5	5.00 ^{+0.20} / _{+0.00}	36.00 ^{-0.025} / _{-0.064}	46.00 ^{+0.039} / _{+0.000}	5.22
MCWN-38X48X7	38	48	7	7.00 ^{+0.20} / _{+0.00}	38.00 ^{-0.025} / _{-0.064}	48.00 ^{+0.039} / _{+0.000}	5.76
MCWN-40X50X5	40	50	5	5.00 ^{+0.20} / _{+0.00}	40.00 ^{-0.025} / _{-0.064}	50.00 ^{+0.039} / _{+0.000}	5.22
MCWN-40X50X7	40	50	7	7.00 ^{+0.20} / _{+0.00}	40.00 ^{-0.025} / _{-0.064}	50.00 ^{+0.039} / _{+0.000}	5.22
MCWN-40X52X7	40	52	7	7.00 ^{+0.20} / _{+0.00}	40.00 ^{-0.025} / _{-0.064}	52.00 ^{+0.046} / _{+0.000}	5.76
MCWN-42X52X7	42	52	7	7.00 ^{+0.20} / _{+0.00}	42.00 ^{-0.025} / _{-0.064}	52.00 ^{+0.046} / _{+0.000}	5.76
MCWN-45X55X5	45	55	5	5.00 ^{+0.20} / _{+0.00}	45.00 ^{-0.025} / _{-0.064}	55.00 ^{+0.046} / _{+0.000}	5.76
MCWN-45X55X7	45	55	7	7.00 ^{+0.20} / _{+0.00}	45.00 ^{-0.025} / _{-0.064}	55.00 ^{+0.046} / _{+0.000}	5.76
MCWN-45X57X7	45	57	7	7.00 ^{+0.20} / _{+0.00}	45.00 ^{-0.025} / _{-0.064}	57.00 ^{+0.046} / _{+0.000}	6.28
MCWN-45X60X7	45	60	7	7.00 ^{+0.20} / _{+0.00}	45.00 ^{-0.025} / _{-0.064}	60.00 ^{+0.046} / _{+0.000}	6.28
MCWN-50X56X5	50	56	5	5.00 ^{+0.20} / _{+0.00}	50.00 ^{-0.025} / _{-0.064}	56.00 ^{+0.046} / _{+0.000}	5.76
MCWN-50X60X5	50	60	5	5.00 ^{+0.20} / _{+0.00}	50.00 ^{-0.025} / _{-0.064}	60.00 ^{+0.046} / _{+0.000}	11.25
MCWN-50X60X7	50	60	7	7.00 ^{+0.20} / _{+0.00}	50.00 ^{-0.025} / _{-0.064}	60.00 ^{+0.046} / _{+0.000}	10.16
MCWN-50X65X7	50	65	7	7.00 ^{+0.20} / _{+0.00}	50.00 ^{-0.025} / _{-0.064}	65.00 ^{+0.046} / _{+0.000}	6.90
MCWN-52X62X7	52	62	7	7.00 ^{+0.20} / _{+0.00}	52.00 ^{-0.030} / _{-0.076}	62.00 ^{+0.046} / _{+0.000}	12.35

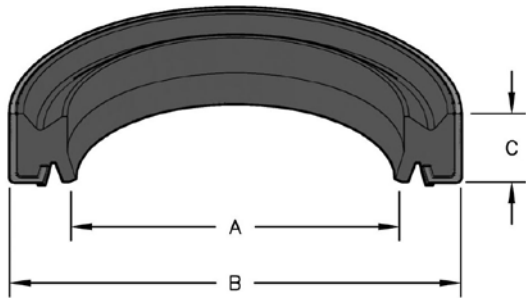
STYLE MCWN METAL CLAD WIPERS

WIPER RINGS

Part Number	A Nom. ID	B Nom. OD	C Nom. Ht	D GROOVE WIDTH	E ROD DIAMETER	G HOUSING DIAMETER	List Price
MCWN-55X63X7	55	63	7	7.00 ^{+0.20} / _{+0.00}	55.00 ^{-0.030} / _{-0.076}	63.00 ^{+0.046} / _{+0.000}	6.90
MCWN-55X65X7	55	65	7	7.00 ^{+0.20} / _{+0.00}	55.00 ^{-0.030} / _{-0.076}	65.00 ^{+0.046} / _{+0.000}	6.59
MCWN-56X65X7	56	65	7	7.00 ^{+0.20} / _{+0.00}	56.00 ^{-0.030} / _{-0.076}	65.00 ^{+0.046} / _{+0.000}	6.90
MCWN-56X66X7	56	66	7	7.00 ^{+0.20} / _{+0.00}	56.00 ^{-0.030} / _{-0.076}	66.00 ^{+0.046} / _{+0.000}	7.13
MCWN-60X70X7	60	70	7	7.00 ^{+0.20} / _{+0.00}	60.00 ^{-0.030} / _{-0.076}	70.00 ^{+0.046} / _{+0.000}	10.97
MCWN-60X75X7	60	75	7	7.00 ^{+0.20} / _{+0.00}	60.00 ^{-0.030} / _{-0.076}	75.00 ^{+0.046} / _{+0.000}	7.99
MCWN-63X75X7	63	75	7	7.00 ^{+0.20} / _{+0.00}	63.00 ^{-0.030} / _{-0.076}	75.00 ^{+0.046} / _{+0.000}	6.90
MCWN-65X75X7	65	75	7	7.00 ^{+0.20} / _{+0.00}	65.00 ^{-0.030} / _{-0.076}	75.00 ^{+0.046} / _{+0.000}	7.99
MCWN-70X80X5	70	80	5	5.00 ^{+0.20} / _{+0.00}	70.00 ^{-0.030} / _{-0.076}	80.00 ^{+0.046} / _{+0.000}	11.28
MCWN-70X80X7	70	80	7	7.00 ^{+0.20} / _{+0.00}	70.00 ^{-0.030} / _{-0.076}	80.00 ^{+0.046} / _{+0.000}	9.29
MCWN-75X83X7	75	83	7	7.00 ^{+0.20} / _{+0.00}	75.00 ^{-0.030} / _{-0.076}	83.00 ^{+0.054} / _{+0.000}	10.71
MCWN-75X85X7	75	85	7	7.00 ^{+0.20} / _{+0.00}	75.00 ^{-0.030} / _{-0.076}	85.00 ^{+0.054} / _{+0.000}	10.17
MCWN-78X88X7	78	88	7	7.00 ^{+0.20} / _{+0.00}	78.00 ^{-0.030} / _{-0.076}	88.00 ^{+0.054} / _{+0.000}	17.16
MCWN-80X90X7	80	90	7	7.00 ^{+0.20} / _{+0.00}	80.00 ^{-0.030} / _{-0.076}	90.00 ^{+0.054} / _{+0.000}	10.71
MCWN-85X95X7	85	95	7	7.00 ^{+0.20} / _{+0.00}	85.00 ^{-0.036} / _{-0.090}	95.00 ^{+0.054} / _{+0.000}	21.84
MCWN-90X100X7	90	100	7	7.00 ^{+0.20} / _{+0.00}	90.00 ^{-0.036} / _{-0.090}	100.00 ^{+0.054} / _{+0.000}	18.50
MCWN-95X105X7	95	105	7	7.00 ^{+0.20} / _{+0.00}	95.00 ^{-0.036} / _{-0.090}	105.00 ^{+0.054} / _{+0.000}	17.03
MCWN-100X110X7	100	110	7	7.00 ^{+0.20} / _{+0.00}	100.00 ^{-0.036} / _{-0.090}	110.00 ^{+0.054} / _{+0.000}	17.80
MCWN-105X115X7	105	115	7	7.00 ^{+0.20} / _{+0.00}	105.00 ^{-0.036} / _{-0.090}	115.00 ^{+0.054} / _{+0.000}	19.45
MCWN-110X120X7	110	120	7	7.00 ^{+0.20} / _{+0.00}	110.00 ^{-0.036} / _{-0.090}	120.00 ^{+0.054} / _{+0.000}	20.61
MCWN-115X125X7	115	125	7	7.00 ^{+0.20} / _{+0.00}	115.00 ^{-0.036} / _{-0.090}	125.00 ^{+0.063} / _{+0.000}	22.25
MCWN-120X130X7	120	130	7	7.00 ^{+0.20} / _{+0.00}	120.00 ^{-0.036} / _{-0.090}	130.00 ^{+0.063} / _{+0.000}	25.56
MCWN-125X140X9	125	140	9	9.00 ^{+0.20} / _{+0.00}	125.00 ^{-0.043} / _{-0.106}	140.00 ^{+0.063} / _{+0.000}	21.14
MCWN-130X145X9	130	145	9	9.00 ^{+0.20} / _{+0.00}	130.00 ^{-0.043} / _{-0.106}	145.00 ^{+0.063} / _{+0.000}	22.49
MCWN-140X155X9	140	155	9	9.00 ^{+0.20} / _{+0.00}	140.00 ^{-0.043} / _{-0.106}	155.00 ^{+0.063} / _{+0.000}	24.72
MCWN-150X165X9	150	165	9	9.00 ^{+0.20} / _{+0.00}	150.00 ^{-0.043} / _{-0.106}	165.00 ^{+0.063} / _{+0.000}	55.61
MCWN-160X175X9	160	175	9	9.00 ^{+0.20} / _{+0.00}	160.00 ^{-0.043} / _{-0.106}	175.00 ^{+0.063} / _{+0.000}	29.64
MCWN-180X195X10	180	195	10	10.00 ^{+0.20} / _{+0.00}	180.00 ^{-0.043} / _{-0.106}	195.00 ^{+0.072} / _{+0.000}	113.09
MCWN-200X220X12	200	220	12	12.00 ^{+0.20} / _{+0.00}	200.00 ^{-0.050} / _{-0.122}	220.00 ^{+0.072} / _{+0.000}	58.54

Seal color may vary. Please call your regional sales team for assistance.

STYLE MCWHD METAL CLAD WIPERS

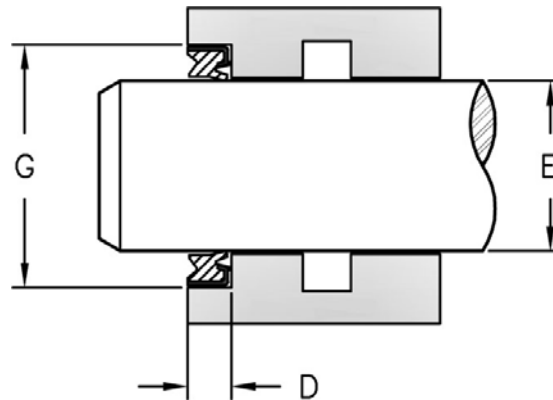


HERCULES PART NUMBERS

MCWHD - 45 X 59 X 8.5

Type of Seal Inside Diameter Outside Diameter Height

SEAL INFORMATION	
MATERIAL	URETHANE LIP STEEL CASE
TEMPERATURE RANGE	-65° TO +230° F
SPEED	3 FT/SEC

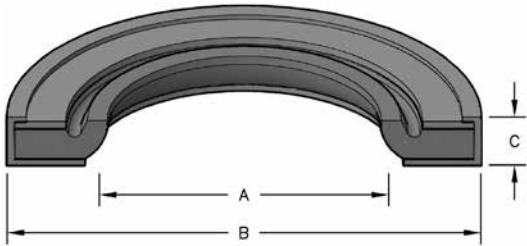


Part Number	A Nom. ID	B Nom. OD	C Nom. Ht	D GROOVE WIDTH	E ROD DIAMETER	G HOUSING DIAMETER	List Price
MCWHD-45X59X8.5	45	59	8.5	8.50	45.00	59.00	\$ 16.70
MCWHD-50X67.5X11	50	67.5	11	11.00	50.00	67.50	16.49
MCWHD-50X69X11	50	69	11	11.00	50.00	69.00	17.80
MCWHD-55X72.5X11	55	72.5	11	11.00	55.00	72.50	21.02
MCWHD-55X73.03X11	55	73.03	11	11.00	55.00	73.03	20.14
MCWHD-55X74X11	55	74	11	11.00	55.00	74.00	19.23
MCWHD-60X79X11	60	79	11	11.00	60.00	79.00	32.15
MCWHD-65X84.02X11	65	84.02	11	11.00	65.00	84.02	37.35
MCWHD-70X90.5X14	70	90.5	14	14.00	70.00	90.50	26.55
MCWHD-80X100.4X14	80	100.4	14	14.00	80.00	100.40	38.15
MCWHD-85X105X14	85	105	14	14.00	85.00	105.00	49.48
MCWHD-90X110.35X14	90	110.35	14	14.00	90.00	110.35	44.06
MCWHD-95X115X14	95	115	14	14.00	95.00	115.00	55.28
MCWHD-130X146X9	130	146	9	9.00	130.00	146.00	60.42

WIPER RINGS

STYLE MDS LINK PIN DUST SEALS

Molded in nitrile with a steel case, this seal is double cased and used to exclude contaminants from cylinder link pins.



HERCULES PART NUMBERS

MDS - 30 X 40 X 4
 Type of Seal Inside Diameter Outside Diameter Height

SEAL INFORMATION

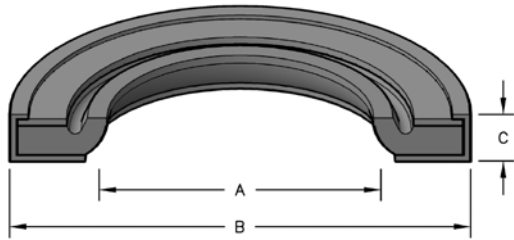
MATERIAL	NITRILE SEAL STEEL CASE
TEMPERATURE RANGE	-40° TO +220° F
SPEED	3 FT/SEC

Part Number	A Nom. ID	B Nom. OD	C Nom. Ht	List Price
MDS-22X28X4	22	28	4	\$5.93
MDS-22X30X4	22	30	4	6.20
MDS-25X32X4	25	32	4	6.40
MDS-30X40X4	30	40	4	14.59
MDS-35X42X4	35	42	4	15.84
MDS-35X45X4	35	45	4	6.40
MDS-40X50X4	40	50	4	14.59
MDS-45X55X4	45	55	4	8.46
MDS-50X58X4	50	58	4	7.79
MDS-50X60X4	50	60	4	9.60
MDS-50X63X4	50	63	4	9.19
MDS-50X65X6	50	65	6	11.01
MDS-55X68X4	55	68	4	12.75
MDS-60X75X4	60	75	4	13.44
MDS-65X80X4	65	80	4	15.62
MDS-70X80X3	70	80	3	92.45
MDS-70X85X4	70	85	4	17.00
MDS-70X85X6	70	85	6	17.37
MDS-75X90X4	75	90	4	19.11
MDS-80X95X4	80	95	4	21.27
MDS-80X95X6	80	95	6	26.91
MDS-85X100X4	85	100	4	27.26
MDS-90X105X4	90	105	4	27.97
MDS-95X110X4	95	110	4	33.45
MDS-100X115X4	100	115	4	32.61
MDS-100X120X4	100	120	4	35.43
MDS-110X125X4	110	125	4	38.28
MDS-120X135X4	120	135	4	44.60
MDS-140X160X7.5	140	160	7.5	57.25

STYLE MDSU LINK PIN DUST SEALS



Molded in urethane with a steel case, this seal is double cased and used to exclude contaminants from cylinder link pins.



HERCULES PART NUMBERS

MDSU - 25 X 35 X 4
 Type of Seal Inside Diameter Outside Diameter Height

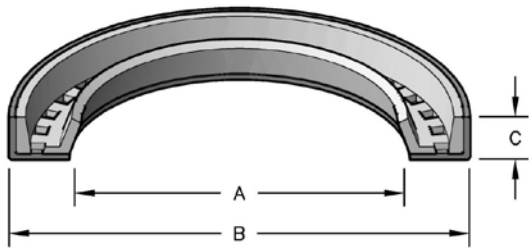
SEAL INFORMATION	
MATERIAL	URETHANE SEAL STEEL CASE
TEMPERATURE RANGE	-30° TO +200° F
SPEED	3 FT/SEC

Part Number	A Nom. ID	B Nom. OD	C Nom. Ht	List Price
MDSU-25X35X4	25	35	4	\$12.32
MDSU-30X40X4	30	40	4	13.58
MDSU-35X45X4	35	45	4	13.58
MDSU-40X50X4	40	50	4	15.77
MDSU-40X50X6	40	50	6	16.27
MDSU-45X55X4	45	55	4	16.76
MDSU-45X55X6	45	55	6	17.53
MDSU-50X60X4	50	60	4	18.50
MDSU-50X60X6	50	60	6	19.23
MDSU-50X65X6	50	65	6	20.97
MDSU-55X68X4	55	68	4	20.22
MDSU-55X70X6	55	70	6	22.21
MDSU-55X75X6	55	75	6	24.42
MDSU-60X75X4	60	75	4	22.21
MDSU-60X75X6	60	75	6	23.68
MDSU-65X75X4	65	75	4	21.69
MDSU-65X80X4	65	80	4	23.93
MDSU-70X80X6	70	80	6	24.42
MDSU-70X85X6	70	85	6	26.39
MDSU-75X90X4	75	90	4	24.86
MDSU-80X95X4	80	95	4	34.60
MDSU-85X100X4	85	100	4	25.79
MDSU-95X110X8	95	110	8	31.95
MDSU-100X115X4	100	115	4	35.03
MDSU-100X115X8	100	115	8	39.48
MDSU-110X125X4	110	125	4	40.21

PIN SEALS

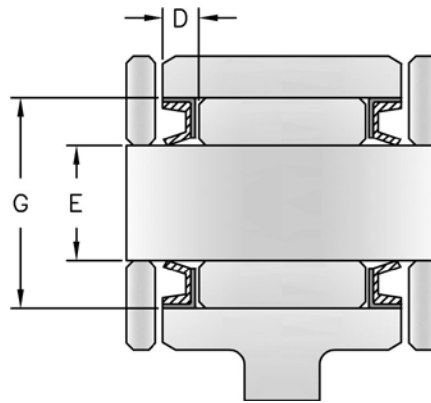
STYLE MCWA METAL CLAD DUST SEALS

This seal is single cased with a urethane lip and used to exclude contaminants from cylinder link pins.



HERCULES PART NUMBERS

MCWA - 30 X 40 X 4
 Type of Seal Inside Diameter Outside Diameter Height



SEAL INFORMATION

MATERIAL	URETHANE SEAL STEEL CASE
TEMPERATURE RANGE	-30° TO +200° F
SPEED	3 FT/SEC

PIN SEALS

Part Number	A Nom. ID	B Nom. OD	C Nom. Ht	D GROOVE WIDTH	E ROD DIAMETER	G HOUSING DIAMETER	List Price
MCWA-25X35X4	25	35	4	4.00 ^{+0.50} / _{+0.30}	25.00 ^{+0.000} / _{-0.052}	35.00 ^{+0.039} / _{+0.000}	\$ 13.31
MCWA-30X40X4	30	40	4	4.00 ^{+0.50} / _{+0.30}	30.00 ^{+0.000} / _{-0.052}	40.00 ^{+0.039} / _{+0.000}	9.06
MCWA-30X40X5	30	40	5	5.00 ^{+0.50} / _{+0.30}	30.00 ^{+0.000} / _{-0.052}	40.00 ^{+0.039} / _{+0.000}	14.13
MCWA-35X45X5	35	45	5	5.00 ^{+0.50} / _{+0.30}	35.00 ^{+0.000} / _{-0.062}	45.00 ^{+0.039} / _{+0.000}	14.66
MCWA-35X45X6	35	45	6	6.00 ^{+0.50} / _{+0.30}	35.00 ^{+0.000} / _{-0.062}	45.00 ^{+0.039} / _{+0.000}	41.15
MCWA-40X50X3.18	40	50	3.18	3.18 ^{+0.50} / _{+0.30}	40.00 ^{+0.000} / _{-0.062}	50.00 ^{+0.039} / _{+0.000}	19.41
MCWA-40X50X4	40	50	4	4.00 ^{+0.50} / _{+0.30}	40.00 ^{+0.000} / _{-0.062}	50.00 ^{+0.039} / _{+0.000}	23.96
MCWA-40X50X5	40	50	5	5.00 ^{+0.50} / _{+0.30}	40.00 ^{+0.000} / _{-0.062}	50.00 ^{+0.039} / _{+0.000}	33.79
MCWA-42X52X5	42	52	5	5.00 ^{+0.50} / _{+0.30}	42.00 ^{+0.000} / _{-0.062}	52.00 ^{+0.046} / _{+0.000}	16.53
MCWA-45X55X3.18	45	55	3.18	3.18 ^{+0.50} / _{+0.30}	45.00 ^{+0.000} / _{-0.062}	55.00 ^{+0.046} / _{+0.000}	24.50
MCWA-45X55X4	45	55	4	4.00 ^{+0.50} / _{+0.30}	45.00 ^{+0.000} / _{-0.062}	55.00 ^{+0.046} / _{+0.000}	29.85
MCWA-45X55X5	45	55	5	5.00 ^{+0.50} / _{+0.30}	45.00 ^{+0.000} / _{-0.062}	55.00 ^{+0.046} / _{+0.000}	16.26
MCWA-45X55X6	45	55	6	6.00 ^{+0.50} / _{+0.30}	45.00 ^{+0.000} / _{-0.062}	55.00 ^{+0.046} / _{+0.000}	30.31
MCWA-45X60X5	45	60	5	5.00 ^{+0.50} / _{+0.30}	45.00 ^{+0.000} / _{-0.062}	60.00 ^{+0.046} / _{+0.000}	17.34
MCWA-50X60X4	50	60	4	4.00 ^{+0.50} / _{+0.30}	50.00 ^{+0.000} / _{-0.062}	60.00 ^{+0.046} / _{+0.000}	17.34
MCWA-50X60X5	50	60	5	5.00 ^{+0.50} / _{+0.30}	50.00 ^{+0.000} / _{-0.062}	60.00 ^{+0.046} / _{+0.000}	17.34
MCWA-50X60X5-N	50	60	5	5.00 ^{+0.50} / _{+0.30}	50.00 ^{+0.000} / _{-0.062}	60.00 ^{+0.046} / _{+0.000}	28.44

STYLE MCWA METAL CLAD DUST SEALS



Part Number	A Nom. ID	B Nom. OD	C Nom. Ht	D GROOVE WIDTH	E ROD DIAMETER	G HOUSING DIAMETER	List Price
MCWA-50X63X4	50	63	4	4.00 ^{+0.50} / _{+0.30}	50.00 ^{+0.000} / _{-0.062}	63.00 ^{+0.046} / _{+0.000}	17.20
MCWA-50X63X8	50	63	8	8.00 ^{+0.60} / _{+0.40}	50.00 ^{+0.000} / _{-0.062}	63.00 ^{+0.046} / _{+0.000}	19.47
MCWA-50X65X5	50	65	5	5.00 ^{+0.50} / _{+0.30}	50.00 ^{+0.000} / _{-0.062}	65.00 ^{+0.046} / _{+0.000}	32.90
MCWA-50X65X7.5	50	65	7.5	7.50 ^{+0.50} / _{+0.30}	50.00 ^{+0.000} / _{-0.062}	65.00 ^{+0.046} / _{+0.000}	35.36
MCWA-55X65X3.18	55	65	3.18	3.18 ^{+0.50} / _{+0.30}	55.00 ^{+0.000} / _{-0.074}	65.00 ^{+0.046} / _{+0.000}	26.39
MCWA-55X65X4	55	65	4	4.00 ^{+0.50} / _{+0.30}	55.00 ^{+0.000} / _{-0.074}	65.00 ^{+0.046} / _{+0.000}	18.40
MCWA-55X68X4	55	68	4	4.00 ^{+0.50} / _{+0.30}	55.00 ^{+0.000} / _{-0.074}	68.00 ^{+0.046} / _{+0.000}	19.21
MCWA-55X68X6	55	68	6	6.00 ^{+0.50} / _{+0.30}	55.00 ^{+0.000} / _{-0.074}	68.00 ^{+0.046} / _{+0.000}	19.21
MCWA-55X70X5	55	70	5	5.00 ^{+0.50} / _{+0.30}	55.00 ^{+0.000} / _{-0.074}	70.00 ^{+0.046} / _{+0.000}	19.21
MCWA-55X70X6	55	70	6	6.00 ^{+0.50} / _{+0.30}	55.00 ^{+0.000} / _{-0.074}	70.00 ^{+0.046} / _{+0.000}	20.00
MCWA-55X70X7.5	55	70	7.5	7.50 ^{+0.50} / _{+0.30}	55.00 ^{+0.000} / _{-0.074}	70.00 ^{+0.046} / _{+0.000}	37.91
MCWA-60X70X4	60	70	4	4.00 ^{+0.50} / _{+0.30}	60.00 ^{+0.000} / _{-0.074}	70.00 ^{+0.046} / _{+0.000}	19.21
MCWA-60X70X5	60	70	5	5.00 ^{+0.50} / _{+0.30}	60.00 ^{+0.000} / _{-0.074}	70.00 ^{+0.046} / _{+0.000}	19.21
MCWA-60X73X8	60	73	8	8.00 ^{+0.60} / _{+0.40}	60.00 ^{+0.000} / _{-0.074}	73.00 ^{+0.046} / _{+0.000}	21.88
MCWA-60X75X4	60	75	4	4.00 ^{+0.50} / _{+0.30}	60.00 ^{+0.000} / _{-0.074}	75.00 ^{+0.046} / _{+0.000}	19.47
MCWA-60X75X5	60	75	5	5.00 ^{+0.50} / _{+0.30}	60.00 ^{+0.000} / _{-0.074}	75.00 ^{+0.046} / _{+0.000}	34.27
MCWA-60X75X6	60	75	6	6.00 ^{+0.50} / _{+0.30}	60.00 ^{+0.000} / _{-0.074}	75.00 ^{+0.046} / _{+0.000}	20.82
MCWA-60X75X7.5	60	75	7.5	7.50 ^{+0.50} / _{+0.30}	60.00 ^{+0.000} / _{-0.074}	75.00 ^{+0.046} / _{+0.000}	41.25
MCWA-60X75X8	60	75	8	8.00 ^{+0.60} / _{+0.40}	60.00 ^{+0.000} / _{-0.074}	75.00 ^{+0.046} / _{+0.000}	40.99
MCWA-65X80X5	65	80	5	5.00 ^{+0.50} / _{+0.30}	65.00 ^{+0.000} / _{-0.074}	80.00 ^{+0.046} / _{+0.000}	71.09
MCWA-65X80X8	65	80	8	8.00 ^{+0.60} / _{+0.40}	65.00 ^{+0.000} / _{-0.074}	80.00 ^{+0.046} / _{+0.000}	22.93
MCWA-70X80X5	70	80	5	5.00 ^{+0.50} / _{+0.30}	70.00 ^{+0.000} / _{-0.074}	80.00 ^{+0.046} / _{+0.000}	42.90
MCWA-70X80X7	70	80	7	7.00 ^{+0.50} / _{-0.30}	70.00 ^{+0.000} / _{-0.074}	80.00 ^{+0.046} / _{+0.000}	43.99
MCWA-70X83X8	70	83	8	8.00 ^{+0.60} / _{+0.40}	70.00 ^{+0.000} / _{-0.074}	83.00 ^{+0.054} / _{+0.000}	23.48
MCWA-70X85X5	70	85	5	5.00 ^{+0.50} / _{+0.30}	70.00 ^{+0.000} / _{-0.074}	85.00 ^{+0.054} / _{+0.000}	22.16
MCWA-70X85X7.5	70	85	7.5	7.50 ^{+0.50} / _{+0.30}	70.00 ^{+0.000} / _{-0.074}	85.00 ^{+0.054} / _{+0.000}	23.48
MCWA-70X85X8	70	85	8	8.00 ^{+0.60} / _{+0.40}	70.00 ^{+0.000} / _{-0.074}	85.00 ^{+0.054} / _{+0.000}	12.11
MCWA-71X85X6	71	85	6	6.00 ^{+0.50} / _{+0.30}	71.00 ^{+0.000} / _{-0.074}	85.00 ^{+0.054} / _{+0.000}	24.56
MCWA-71X86X5	71	86	5	5.00 ^{+0.50} / _{+0.30}	71.00 ^{+0.000} / _{-0.074}	86.00 ^{+0.054} / _{+0.000}	44.61
MCWA-75X90X5	75	90	5	5.00 ^{+0.50} / _{+0.30}	75.00 ^{+0.000} / _{-0.074}	90.00 ^{+0.054} / _{+0.000}	24.86
MCWA-75X90X8	75	90	8	8.00 ^{+0.60} / _{+0.40}	75.00 ^{+0.000} / _{-0.074}	90.00 ^{+0.054} / _{+0.000}	47.57
MCWA-80X90X3.18	80	90	3.18	3.18 ^{+0.50} / _{+0.30}	80.00 ^{+0.000} / _{-0.074}	90.00 ^{+0.054} / _{+0.000}	54.74
MCWA-80X90X7	80	90	7	7.00 ^{+0.50} / _{+0.30}	80.00 ^{+0.000} / _{-0.074}	90.00 ^{+0.054} / _{+0.000}	48.09

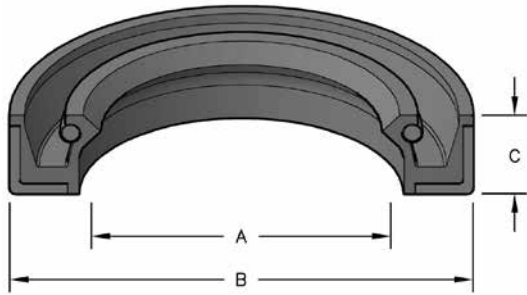
PIN SEALS

STYLE MCWA METAL CLAD DUST SEALS

PIN SEALS

Part Number	A Nom. ID	B Nom. OD	C Nom. Ht	D GROOVE WIDTH	E ROD DIAMETER	G HOUSING DIAMETER	List Price
MCWA-80X93X8	80	93	8	8.00 ^{+0.60} / _{+0.40}	80.00 ^{+0.000} / _{-0.074}	93.00 ^{+0.054} / _{+0.000}	26.59
MCWA-80X95X5	80	95	5	5.00 ^{+0.50} / _{+0.30}	80.00 ^{+0.000} / _{-0.074}	95.00 ^{+0.054} / _{+0.000}	51.26
MCWA-80X95X6	80	95	6	6.00 ^{+0.50} / _{+0.30}	80.00 ^{+0.000} / _{-0.074}	95.00 ^{+0.054} / _{+0.000}	25.25
MCWA-80X95X8	80	95	8	8.00 ^{+0.60} / _{+0.40}	80.00 ^{+0.000} / _{-0.074}	95.00 ^{+0.054} / _{+0.000}	26.84
MCWA-80X100X6	80	100	6	6.00 ^{+0.50} / _{+0.30}	80.00 ^{+0.000} / _{-0.074}	100.00 ^{+0.054} / _{+0.000}	28.33
MCWA-85X100X6	85	100	6	6.00	85.00 ^{+0.000} / _{-0.087}	100.00 ^{+0.054} / _{+0.000}	36.09
MCWA-85X100X8	85	100	8	8.00 ^{+0.60} / _{+0.40}	85.00 ^{+0.000} / _{-0.087}	100.00 ^{+0.054} / _{+0.000}	48.12
MCWA-90X100X7	90	100	7	7.00 ^{+0.50} / _{+0.30}	90.00 ^{+0.000} / _{-0.087}	100.00 ^{+0.054} / _{+0.000}	50.21
MCWA-90X105X5	90	105	5	5.00 ^{+0.50} / _{+0.30}	90.00 ^{+0.000} / _{-0.087}	105.00 ^{+0.054} / _{+0.000}	30.05
MCWA-90X105X6	90	105	6	6.00 ^{+0.50} / _{+0.30}	90.00 ^{+0.000} / _{-0.087}	105.00 ^{+0.054} / _{+0.000}	31.21
MCWA-90X105X8	90	105	8	8.00 ^{+0.60} / _{+0.40}	90.00 ^{+0.000} / _{-0.087}	105.00 ^{+0.054} / _{+0.000}	34.67
MCWA-90X110X10	90	110	10	10.00 ^{+0.60} / _{+0.40}	90.00 ^{+0.000} / _{-0.087}	110.00 ^{+0.054} / _{+0.000}	31.65
MCWA-100X110X7	100	110	7	7.00 ^{+0.50} / _{+0.30}	100.00 ^{+0.000} / _{-0.087}	110.00 ^{+0.054} / _{+0.000}	58.82
MCWA-100X115X7	100	115	7	7.00 ^{+0.50} / _{+0.30}	100.00 ^{+0.000} / _{-0.087}	115.00 ^{+0.054} / _{+0.000}	31.51
MCWA-100X115X8	100	115	8	8.00 ^{+0.60} / _{+0.40}	100.00 ^{+0.000} / _{-0.087}	115.00 ^{+0.054} / _{+0.000}	19.07
MCWA-100X120X8	100	120	8	8.00 ^{+0.60} / _{+0.40}	100.00 ^{+0.000} / _{-0.087}	120.00 ^{+0.054} / _{+0.000}	43.93
MCWA-100X120X10	100	120	10	10.00 ^{+0.60} / _{+0.40}	100.00 ^{+0.000} / _{-0.087}	120.00 ^{+0.054} / _{+0.000}	41.02
MCWA-105X120X7	105	120	7	7.00 ^{+0.50} / _{+0.30}	105.00 ^{+0.000} / _{-0.087}	120.00 ^{+0.054} / _{+0.000}	41.33
MCWA-110X125X4	110	125	4	4.00 ^{+0.50} / _{+0.30}	110.00 ^{+0.000} / _{-0.087}	125.00 ^{+0.063} / _{+0.000}	43.93
MCWA-110X125X5	110	125	5	5.00 ^{+0.50} / _{+0.30}	110.00 ^{+0.000} / _{-0.087}	125.00 ^{+0.063} / _{+0.000}	45.36
MCWA-110X125X8	110	125	8	8.00 ^{+0.60} / _{+0.40}	110.00 ^{+0.000} / _{-0.087}	125.00 ^{+0.063} / _{+0.000}	44.22
MCWA-110X125X9	110	125	9	9.00 ^{+0.60} / _{+0.40}	110.00 ^{+0.000} / _{-0.087}	125.00 ^{+0.063} / _{+0.000}	45.10
MCWA-120X130X7	120	130	7	7.00 ^{+0.50} / _{+0.30}	120.00 ^{+0.000} / _{-0.087}	130.00 ^{+0.063} / _{+0.000}	62.81
MCWA-120X135X5	120	135	5	5.00 ^{+0.50} / _{+0.30}	120.00 ^{+0.000} / _{-0.087}	135.00 ^{+0.063} / _{+0.000}	42.77
MCWA-120X135X8	120	135	8	8.00 ^{+0.60} / _{+0.40}	120.00 ^{+0.000} / _{-0.087}	135.00 ^{+0.063} / _{+0.000}	46.23
MCWA-125X140X8	125	140	8	8.00 ^{+0.60} / _{+0.40}	125.00 ^{+0.00} / _{-0.10}	140.00 ^{+0.063} / _{+0.000}	46.23
MCWA-130X140X7	130	140	7	7.00 ^{+0.50} / _{+0.30}	130.00 ^{+0.00} / _{-0.10}	140.00 ^{+0.063} / _{+0.000}	57.29
MCWA-140X155X8	140	155	8	8.00 ^{+0.60} / _{+0.40}	140.00 ^{+0.00} / _{-0.10}	155.00 ^{+0.063} / _{+0.000}	43.33
MCWA-160X180X8	160	180	8	8.00 ^{+0.60} / _{+0.40}	160.00 ^{+0.00} / _{-0.10}	180.00 ^{+0.063} / _{+0.000}	63.60

OIL SEALS



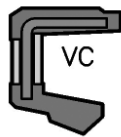
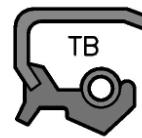
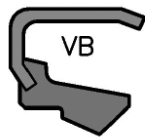
Note: V = Fluorocarbon

HERCULES PART NUMBERS

MOS - 8 X 16 X 7TC
 Type of Seal Inside Diameter Outside Diameter Height

SEAL INFORMATION

MATERIAL	RUBBER SEAL STEEL CASE
TEMPERATURE RANGE	-40° TO +225° F
PRESSURE RANGE	10 PSI @ 1000 FPM
SPEED	3 FT/SEC



Part Number	A Nom. ID	B Nom. OD	C Nom. Ht	List Price
MOS-8X16X7TC	8	16	7	\$8.94
MOS-8X18X5TC	8	18	5	8.94
MOS-8X25X8TC	8	25	8	9.00
MOS-10X19X7TC	10	19	7	8.94
MOS-10X20X7TC	10	20	7	8.94
MOS-10X22X7TC	10	22	7	9.00
MOS-10X30X7SC	10	30	7	8.34
MOS-12X19X3VC	12	19	3	8.24
MOS-12X20X4TC	12	20	4	8.94
MOS-12X20X5TC	12	20	5	8.94
MOS-12X22X7TC	12	22	7	9.00
MOS-12X24X7TC	12	24	7	9.00
MOS-12X25X7TC	12	25	7	9.27
MOS-12X26X7TC	12	26	7	9.27
MOS-12X28X7TC	12	28	7	9.27
MOS-13X25X7SC	13	25	7	9.27
MOS-14X20X3TC	14	20	3	9.10
MOS-14X24X6TC	14	24	6	9.00
MOS-14X24X7TC	14	24	7	9.00
MOS-14X28X7TC	14	28	7	9.27
MOS-15X24X7TC	15	24	7	8.93
MOS-15X25X7TC	15	25	7	9.00
MOS-15X28X7TC	15	28	7	8.99
MOS-15X30X7TC	15	30	7	9.34
MOS-15X32X7TC	15	32	7	12.21
MOS-15X35X7TC	15	35	7	10.97
MOS-16X20X2.5VM	16	20	2.5	8.40
MOS-16X26X6TC	16	26	6	9.27
MOS-16X28X7TC	16	28	7	9.27
MOS-16X30X7TC	16	30	7	9.27
MOS-16X35X7TC	16	35	7	10.97

Part Number	A Nom. ID	B Nom. OD	C Nom. Ht	List Price
MOS-17X28X7TC	17	28	7	9.27
MOS-17X29X7TC	17	29	7	9.27
MOS-17X30X6TC	17	30	6	9.27
MOS-17X30X7TC	17	30	7	9.56
MOS-17X30X8TC	17	30	8	9.27
MOS-17X32X7TC	17	32	7	9.96
MOS-17X35X8TC	17	35	8	9.96
MOS-17X38X7TC	17	38	7	12.00
MOS-18X24X3KC	18	24	3	8.40
MOS-18X28X4SC	18	28	4	8.52
MOS-18X28X7TC	18	28	7	11.40
MOS-18X28.5X7TC	18	28.5	7	11.40
MOS-18X30X7TC	18	30	7	12.21
MOS-18X30X8TC	18	30	8	9.27
MOS-18X32X7TC	18	32	7	10.97
MOS-18X35X7TC	18	35	7	10.97
MOS-19X30X7TC	19	30	7	9.96
MOS-19X34X7TC	19	34	7	9.96
MOS-19X35X7TC	19	35	7	10.97
MOS-20X26X4VC	20	26	4	9.74
MOS-20X26X4VM	20	26	4	9.96
MOS-20X28X4TM	20	28	4	12.98
MOS-20X30X7TC	20	30	7	10.75
MOS-20X32X7TC	20	32	7	10.97
MOS-20X33X5TC	20	33	5	10.97
MOS-20X35X6TC	20	35	6	10.97
MOS-20X35X7TC	20	35	7	11.04
MOS-20X36X7TC	20	36	7	12.00
MOS-20X40X7TC	20	40	7	12.21
MOS-20X45X7TC	20	45	7	12.98
MOS-20X47X7TC	20	47	7	14.12

OIL SEALS



OIL SEALS

OIL SEALS

Part Number	A Nom. ID	B Nom. OD	C Nom. Ht	List Price
MOS-22X28X4KC	22	28	4	9.88
MOS-22X32X7SC	22	32	7	9.96
MOS-22X32X7TC	22	32	7	10.97
MOS-22X35X5TC	22	35	5	10.97
MOS-22X35X7TC	22	35	7	10.97
MOS-22X35X8TC	22	35	8	10.97
MOS-22X36X7TC	22	36	7	12.00
MOS-22X38X7TC	22	38	7	13.94
MOS-22X40X7TC	22	40	7	13.94
MOS-22X42X7TC	22	42	7	13.94
MOS-22X52X10TC	22	52	10	16.73
MOS-23X34X8TC	23	34	8	15.99
MOS-24X40X7TC	24	40	7	13.94
MOS-25X35X5TB-H	25	35	5	19.93
MOS-25X35X6TC	25	35	6	19.11
MOS-25X35X7TC	25	35	7	12.74
MOS-25X35X8TC	25	35	8	12.74
MOS-25X36X7TC	25	36	7	12.74
MOS-25X40X5TC	25	40	5	11.84
MOS-25X40X7SC	25	40	7	10.58
MOS-25X40X7TC	25	40	7	11.84
MOS-25X40X8TC	25	40	8	11.84
MOS-25X40X10TC	25	40	10	12.89
MOS-25X42X6TC	25	42	6	12.98
MOS-25X42X7TC	25	42	7	12.98
MOS-25X45X8TC	25	45	8	12.98
MOS-25X45X10TC	25	45	10	12.98
MOS-25X52X7TC	25	52	7	15.45
MOS-25X52X10TC	25	52	10	15.95
MOS-25X62X7TC	25	62	7	18.63
MOS-26X37X7TC	26	37	7	11.84
MOS-26X40X7TC	26	40	7	11.84
MOS-27X43X8TC	27	43	8	12.98
MOS-28X38X5TC	28	38	5	14.76
MOS-28X38X7TC	28	38	7	11.84
MOS-28X40X5TC	28	40	5	12.98
MOS-28X40X7TC	28	40	7	12.98
MOS-28X42X7TC	28	42	7	12.98
MOS-28X42X8TC	28	42	8	12.98
MOS-28X47X7TC	28	47	7	14.12
MOS-28X47X10TC	28	47	10	14.12
MOS-28X48X8TC	28	48	8	13.78
MOS-30X38X4SC	30	38	4	10.87
MOS-30X40X7SB	30	40	7	12.89
MOS-30X40X7TC	30	40	7	11.84
MOS-30X42X7TC	30	42	7	13.81
MOS-30X42X8TC	30	42	8	13.81
MOS-30X43X8TC	30	43	8	13.81
MOS-30X45X6TC	30	45	6	13.81
MOS-30X45X8TC	30	45	8	13.81
MOS-30X46X8TC	30	46	8	14.12
MOS-30X47X7TC	30	47	7	14.12
MOS-30X48X8TC	30	48	8	14.12
MOS-30X50X7TC	30	50	7	14.12
MOS-30X52X7TC	30	52	7	14.48
MOS-30X52X8TC	30	52	8	14.81
MOS-32X42X7TC	32	42	7	12.98
MOS-32X44X8TC	32	44	8	12.98

Part Number	A Nom. ID	B Nom. OD	C Nom. Ht	List Price
MOS-32X45X7TC	32	45	7	12.98
MOS-32X48X8TC	32	48	8	14.19
MOS-32X52X8TC	32	52	8	11.04
MOS-32X52X11TC	32	52	11	15.45
MOS-32X53X4.5/6.5-R9	32	53	4.5	15.23
MOS-33X45X7SC	33	45	7	11.84
MOS-34X48X7TC	34	48	7	14.12
MOS-34X52X10SC	34	52	10	13.81
MOS-35X45X5VM	35	45	5	26.67
MOS-35X45X7TC	35	45	7	15.20
MOS-35X46X7TC	35	46	7	15.76
MOS-35X47X7TC	35	47	7	15.76
MOS-35X48X8TC	35	48	8	16.73
MOS-35X50X7-HMS5	35	50	7	17.74
MOS-35X50X7SC	35	50	7	16.73
MOS-35X50X7TC	35	50	7	16.73
MOS-35X50X8TC	35	50	8	16.73
MOS-35X50X10TC	35	50	10	17.12
MOS-35X52X7TC	35	52	7	18.40
MOS-35X52X8TC	35	52	8	14.90
MOS-35X54X8TC	35	54	8	18.40
MOS-35X55X8TC	35	55	8	18.40
MOS-35X55X11TC	35	55	11	18.40
MOS-35X60X10SC	35	60	10	16.87
MOS-35X62X10TC	35	62	10	20.13
MOS-35X72X8TC	35	72	8	26.34
MOS-38X50X7TC	38	50	7	18.40
MOS-38X58X10TC	38	58	10	15.45
MOS-40X50X5TB-H	40	50	5	17.97
MOS-40X50X8TC	40	50	8	19.55
MOS-40X52X5TC	40	52	5	19.55
MOS-40X52X7SC	40	52	7	15.08
MOS-40X52X7TC	40	52	7	19.55
MOS-40X54X7TC	40	54	7	19.55
MOS-40X55X7SC	40	55	7	19.55
MOS-40X55X7TC	40	55	7	19.55
MOS-40X55X8TC	40	55	8	19.55
MOS-40X56X7TC	40	56	7	20.13
MOS-40X58X8TC	40	58	8	20.13
MOS-40X60X10TC	40	60	10	21.99
MOS-40X62X6TC	40	62	6	16.77
MOS-40X62X6VTC	40	62	6	74.39
MOS-40X62X7TC	40	62	7	14.62
MOS-40X62X10TC	40	62	10	21.99
MOS-40X62X12TC	40	62	12	18.63
MOS-40X68X7TC	40	68	7	24.16
MOS-40X72X10TC	40	72	10	26.96
MOS-41X54X11DC	41	54	11	26.22
MOS-42X52X8TC	42	52	8	18.40
MOS-42X55X7TC	42	55	7	18.40
MOS-42X60X10TC	42	60	10	10.13
MOS-42X62X8TC	42	62	8	21.99
MOS-44X60X7TC	44	60	7	21.99
MOS-44X62X8TC	44	62	8	21.99
MOS-45X55X4VC	45	55	4	12.45
MOS-45X58X7TC	45	58	7	20.13
MOS-45X60X7TC	45	60	7	16.87
MOS-45X62X7TC	45	62	7	18.63

OIL SEALS



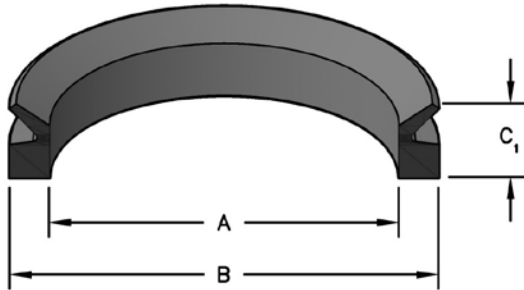
Part Number	A Nom. ID	B Nom. OD	C Nom. Ht	List Price
MOS-45X62X7VTC	45	62	7	42.69
MOS-45X62X8TC	45	62	8	18.63
MOS-45X62X10SA	45	62	10	6.16
MOS-45X65X7TC	45	65	7	18.63
MOS-45X65X8TC	45	65	8	18.63
MOS-45X65X12TC	45	65	12	42.93
MOS-45X68X8TC	45	68	8	20.18
MOS-45X68X10TC	45	68	10	20.31
MOS-45X68X12TC	45	68	12	24.16
MOS-45X72X8TC	45	72	8	22.14
MOS-45X72X10TC	45	72	10	22.14
MOS-48X62X8TC	48	62	8	18.63
MOS-48X65X10TC	48	65	10	18.63
MOS-50X60X5TB-H	50	60	5	22.09
MOS-50X60X8TC	50	60	8	16.87
MOS-50X62X7TC	50	62	7	18.40
MOS-50X65X6TC	50	65	6	18.63
MOS-50X65X8TC	50	65	8	18.63
MOS-50X68X8TC	50	68	8	20.18
MOS-50X70X10TC	50	70	10	20.18
MOS-50X72X8TC	50	72	8	22.14
MOS-50X72X12TC	50	72	12	22.14
MOS-50X75X12TC	50	75	12	22.14
MOS-50X80X8TC	50	80	8	24.32
MOS-50X85X8TC	50	85	8	26.57
MOS-50X90X10TC	50	90	10	29.18
MOS-53.2X78X13-RWDR-K7	53.2	78	13	45.91
MOS-54X68X10TC	54	68	10	20.18
MOS-55X68X8TC	55	68	8	20.18
MOS-55X70X8TC	55	70	8	20.18
MOS-55X72X7TC	55	72	7	7.37
MOS-55X72X7VTC	55	72	7	99.53
MOS-55X72X8TC	55	72	8	22.14
MOS-55X72X10TC	55	72	10	22.14
MOS-55X80X10TC	55	80	10	24.32
MOS-55X80X11-COMBI	55	80	11	24.18
MOS-55X85X10TC	55	85	10	26.57
MOS-55X90X10TC	55	90	10	29.18
MOS-60X75X8TC	60	75	8	22.14
MOS-60X78X9TC	60	78	9	24.32
MOS-60X80X9TC	60	80	9	24.32
MOS-60X80X10TC	60	80	10	24.32
MOS-60X80X12TC	60	80	12	24.32
MOS-60X82X12TC	60	82	12	24.32
MOS-60X85X10TC	60	85	10	26.57
MOS-60X95X10TC	60	95	10	32.02
MOS-62X78X8SB	62	78	8	22.14
MOS-62X80X10TC	62	80	10	24.32
MOS-62X85X8TC	62	85	8	26.57
MOS-62X85X10SC	62	85	10	8.57
MOS-65X85X10TC	65	85	10	26.57
MOS-65X88X12TC	65	88	12	29.18
MOS-65X90X10TC	65	90	10	29.18
MOS-66X79X12.5-31Z	66	79	12.5	22.61
MOS-68X90X10TC	68	90	10	29.18
MOS-70X80X10TC	70	80	10	24.32
MOS-70X85X8TC	70	85	8	26.57
MOS-70X90X7TC	70	90	7	29.18

Part Number	A Nom. ID	B Nom. OD	C Nom. Ht	List Price
MOS-70X90X10TC	70	90	10	29.18
MOS-70X90X12TC	70	90	12	29.18
MOS-70X95X13TC	70	95	13	32.02
MOS-70X100X10TC	70	100	10	32.08
MOS-70X110X10TC	70	110	10	42.25
MOS-75X95X10TC	75	95	10	32.08
MOS-75X100X10TC	75	100	10	35.07
MOS-80X100X7TC	80	100	7	35.07
MOS-80X100X10TC	80	100	10	35.07
MOS-80X105X10TC	80	105	10	38.57
MOS-80X105X13TC	80	105	13	38.57
MOS-80X115X13TC	80	115	13	46.40
MOS-82X105X12TC	82	105	12	68.76
MOS-85X100X12TC	85	100	12	35.07
MOS-85X103X7.5VTCL	85	103	7.5	41.05
MOS-85X110X10SC	85	110	10	38.57
MOS-85X110X12TC	85	110	12	42.25
MOS-85X110X12VTC	85	110	12	69.25
MOS-85X110X13TC	85	110	13	37.67
MOS-90X105X10TC	90	105	10	38.57
MOS-90X110X12TC	90	110	12	55.06
MOS-90X115X13TB	90	115	13	55.37
MOS-90X120X13TC	90	120	13	50.90
MOS-95X120X12TC	95	120	12	50.90
MOS-95X130X12TC	95	130	12	61.43
MOS-100X120X12TC	100	120	12	15.15
MOS-100X125X12TC	100	125	12	55.94
MOS-105X130X12TC	105	130	12	66.18
MOS-110X140X12TC	110	140	12	67.95
MOS-115X140X13TC	115	140	13	67.95
MOS-115X145X14TC	115	145	14	71.46
MOS-120X140X13SC	120	140	13	39.67
MOS-120X150X12SC	120	150	12	23.02
MOS-120X150X12TC	120	150	12	75.19
MOS-120X150X15TC	120	150	15	71.23
MOS-125X150X12VTF	125	150	12	266.77
MOS-130X160X12TC	130	160	12	83.21
MOS-140X170X13TC	140	170	13	73.15
MOS-150X180X15TC	150	180	15	106.16
MOS-160X190X13TC	160	190	13	87.06
MOS-180X210X15TC	180	210	15	67.92
MOS-200X230X13TC	200	230	13	177.19
MOS-200X230X15TC	200	230	15	140.66
MOS-440X480X20SC	440	480	20	728.75

OIL SEALS

RVA STYLE OIL SEALS

A V-ring is a nitrile seal that mounts directly on a shaft and seals axially against either the housing or the metal case of a shaft seal. A V-ring will rotate with the shaft unlike a normal shaft seal and, since it is rotating, V-rings are often used as slingers or deflectors

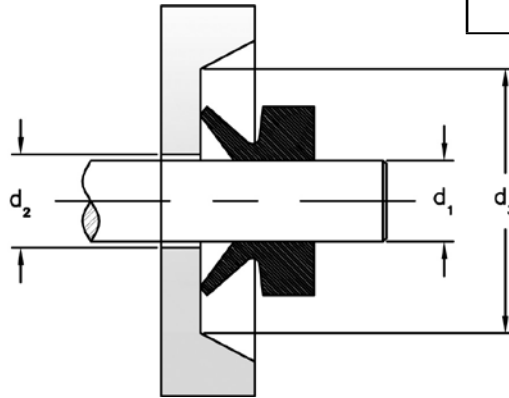


HERCULES PART NUMBERS

RVA - 020
 Type of Seal Size

SEAL INFORMATION

MATERIAL	NITRILE
TEMPERATURE RANGE	-40° TO +225° F
PRESSURE RANGE	0 - 5 PSI
SPEED	1.5 FT/SEC



Part Number	A Nom. ID	B Nom. OD	C ₁ OVERALL HEIGHT	d ₁ Shaft Diameter	Maximum d ₂	Minimum d ₃	List Price
RVA-020	18	26	7.50	19~21	d1+2	d1+12	\$1.88
RVA-022	20	28	7.50	21~24	d1+2	d1+12	3.01
RVA-025	22	30	7.50	24~27	d1+2	d1+12	2.38
RVA-028	25	33	7.50	27~29	d1+3	d1+12	3.28
RVA-030	27	35	7.50	29~31	d1+3	d1+12	3.11
RVA-040	36	46	9.00	38~43	d1+3	d1+15	6.80
RVA-045	40	50	9.00	43~48	d1+3	d1+15	5.82
RVA-050	45	55	9.00	48~53	d1+3	d1+15	5.98
RVA-055	49	59	9.00	53~58	d1+3	d1+15	8.26
RVA-060	54	64	9.00	58~63	d1+3	d1+15	6.23
RVA-065	58	68	9.00	63~68	d1+3	d1+15	9.17
RVA-070	63	75	11.00	68~73	d1+4	d1+18	9.91
RVA-075	67	79	11.00	73~78	d1+4	d1+18	6.82
RVA-080	72	84	11.00	78~83	d1+4	d1+18	11.44
RVA-085	76	88	11.00	83~88	d1+4	d1+18	16.76
RVA-090	81	93	11.00	88~93	d1+4	d1+18	9.11
RVA-095	85	97	11.00	93~98	d1+4	d1+18	16.74
RVA-100	90	102	11.00	98~105	d1+4	d1+18	67.32
RVA-110	99	113	12.80	105~115	d1+4	d1+21	10.48
RVA-120	108	122	12.80	115~125	d1+4	d1+21	27.83
RVA-130	117	131	12.80	125~135	d1+4	d1+21	14.16
RVA-140	126	140	12.80	135~145	d1+4	d1+21	13.58
RVA-150	135	149	12.80	145~155	d1+4	d1+21	60.79
RVA-160	144	160	14.50	155~165	d1+5	d1+24	29.84
RVA-170	153	169	14.50	165~175	d1+5	d1+24	23.52
RVA-180	162	178	14.50	175~185	d1+5	d1+24	33.43

RVA STYLE OIL SEALS



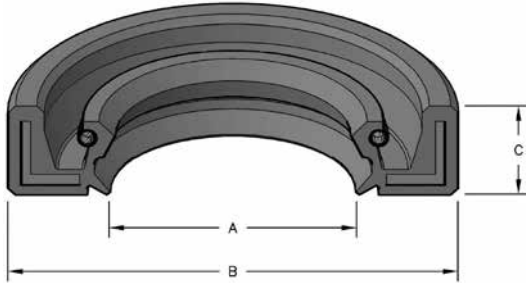
Part Number	A Nom. ID	B Nom. OD	C ₁ OVERALL HEIGHT	d1 Shaft Diameter	Maximum d2	Minimum d3	List Price
RVA-190	171	187	14.50	185~195	d1+5	d1+24	58.93
RVA-200	180	210	25.00	190~210	d1+10	d1+45	52.94
RVA-220	198	228	25.00	210~235	d1+10	d1+45	50.95
RVA-250	225	255	25.00	235~265	d1+10	d1+45	39.71
RVA-325	292	322	25.00	310~335	d1+10	d1+45	53.67
RVA-350	315	345	25.00	335~365	d1+10	d1+45	107.75

OIL SEALS



MOS-BABSL/BABSLV STYLE SHAFT SEALS

Design Series BABSL has an extremely short, flexibly suspended sealing lip for sealing pressurized media without a backup ring. It also has a second lip for additional dust protection. Specifically designed for rotational pressure sealing. e.g. hydraulic pumps, hydraulic motors, hydrodynamic clutches and transmissions, and heating oil pumps.



HERCULES PART NUMBERS

MOS - 8 X 22 X 6BABSL
 Type of Seal Inside Diameter Outside Diameter Height

BABSL = Nitrile
 BABSLV = Fluorocarbon

SEAL INFORMATION

MATERIAL	NITRILE OR FLUOROCARBON
TEMPERATURE RANGE	NBR = -40° TO +212° F FKM = -67° TO +320° F
PRESSURE RANGE	AVERAGE 50 PSI UP TO 100 PSI

SHAFT SEALS

Part Number	A Nom. ID	B Nom. OD	C Nom. Ht	List Price
MOS-8X22X6BABSL	8	22	6	\$28.40
MOS-10X22X6BABSL	10	22	6	23.63
MOS-12X22X6BABSL	12	22	6	23.63
MOS-12X24X6BABSL	12	24	6	23.63
MOS-15X35X6BABSL	15	35	6	27.58
MOS-18X30X6BABSL	18	30	6	38.95
MOS-18X35X6BABSL	18	35	6	27.58
MOS-20X35X6BABSL	20	35	6	33.46
MOS-22X32X6BABSL	22	32	6	27.58
MOS-22X35X6BABSL	22	35	6	27.58
MOS-22X35X6BABSLV	22	35	6	121.43
MOS-25X35X6BABSL	25	35	6	27.58
MOS-25X35X6BABSLV	25	35	6	121.43
MOS-25X47X6BABSL	25	47	6	34.52
MOS-28X40X6BABSL	28	40	6	44.71
MOS-28X40X6BABSLV	28	40	6	67.66
MOS-30X42X6BABSL	30	42	6	28.98
MOS-30X42X6BABSLV	30	42	6	185.06
MOS-35X52X6BABSL	35	52	6	36.27
MOS-35X52X6BABSLV	35	52	6	189.78
MOS-40X62X6BABSL	40	62	6	48.89
MOS-45X62X7BABSL	45	62	7	40.76
MOS-45X62X7BABSLV	45	62	7	77.55
MOS-45X65X7BABSL	45	65	7	69.26
MOS-45X65X7BABSLV	45	65	7	272.64
MOS-50X72X7BABSL	50	72	7	48.42
MOS-60X80X7BABSL	60	80	7	83.92
MOS-60X80X7BABSLV	60	80	7	343.98
MOS-65X90X7BABSL	65	90	7	134.19
MOS-70X90X7BABSL	70	90	7	63.73
MOS-70X90X7BABSLV	70	90	7	389.66
MOS-80X100X7BABSL	80	100	7	62.00
MOS-85X105X7.5BABSL	85	105	7.5	72.08
MOS-90X110X7.5BABSL	90	110	7.5	142.06
MOS-100X120X7.5BABSL	100	120	7.5	160.36

O-RING SIZE CHART FOR METRIC SEALS



O-RINGS

JIS B 2401	WIDTH	I.D.	JIS B 2401	WIDTH	I.D.	JIS B 2401	WIDTH	I.D.
P - 3	1.9 ±0.08	2.8 ±0.14	P - 71	5.7 ±0.13	70.6 ±0.62	G - 25	3.1 ±0.10	24.4 ±0.25
P - 4		3.8 ±0.14	P - 75		74.6 ±0.65	G - 30		29.4 ±0.29
P - 5		4.8 ±0.15	P - 80		79.6 ±0.69	G - 35		34.4 ±0.33
P - 6		5.8 ±0.15	P - 85		84.6 ±0.73	G - 40		39.4 ±0.37
P - 7		6.8 ±0.16	P - 90		89.6 ±0.77	G - 45		44.4 ±0.41
P - 8		7.8 ±0.16	P - 95		94.6 ±0.81	G - 50		49.4 ±0.45
P - 9		8.8 ±0.17	P - 100		99.6 ±0.84	G - 55		54.4 ±0.49
P - 10		9.8 ±0.17	P - 102		101.6 ±0.85	G - 60		59.4 ±0.53
P - 10A		9.8 ±0.17	P - 105		104.6 ±0.87	G - 65		64.4 ±0.57
P - 11		10.8 ±0.18	P - 110		109.6 ±0.91	G - 70		69.4 ±0.61
P - 11.2	11 ±0.18	P - 112	111.6 ±0.92	G - 75	74.4 ±0.65			
P - 12	11.8 ±0.19	P - 115	114.6 ±0.94	G - 80	79.4 ±0.69			
P - 12.5	12.3 ±0.19	P - 120	119.6 ±0.98	G - 85	84.4 ±0.73			
P - 14	13.8 ±0.19	P - 125	124.6 ±1.01	G - 90	89.4 ±0.77			
P - 15	14.8 ±0.20	P - 130	129.6 ±1.05	G - 95	94.4 ±0.81			
P - 16	15.8 ±0.20	P - 132	131.6 ±1.06	G - 100	99.4 ±0.85			
P - 18	17.8 ±0.21	P - 135	134.6 ±1.09	G - 105	104.4 ±0.87			
P - 20	19.8 ±0.22	P - 140	139.6 ±1.12	G - 110	109.4 ±0.91			
P - 21	20.8 ±0.23	P - 145	144.6 ±1.16	G - 115	114.4 ±0.94			
P - 22	21.8 ±0.24	P - 150	149.6 ±1.19	G - 120	119.4 ±0.98			
P - 22A	21.7 ±0.24	P - 150A	149.5 ±1.19	G - 125	124.4 ±1.01			
P - 22.4	22.1 ±0.24	P - 155	154.5 ±1.23	G - 130	129.4 ±1.05			
P - 24	23.7 ±0.24	P - 160	159.5 ±1.26	G - 135	134.4 ±1.08			
P - 25	24.7 ±0.25	P - 165	164.5 ±1.30	G - 140	139.4 ±1.12			
P - 25.5	25.2 ±0.25	P - 170	169.5 ±1.33	G - 145	144.4 ±1.16			
P - 26	25.7 ±0.26	P - 175	174.5 ±1.37	G - 150	149.3 ±1.19			
P - 28	27.7 ±0.28	P - 180	179.5 ±1.40	G - 155	154.3 ±1.23			
P - 29	28.7 ±0.29	P - 185	184.5 ±1.44	G - 160	159.3 ±1.26			
P - 29.5	29.2 ±0.29	P - 190	189.5 ±1.48	G - 165	164.3 ±1.30			
P - 30	29.7 ±0.29	P - 195	194.5 ±1.51	G - 170	169.3 ±1.33			
P - 31	30.7 ±0.30	P - 200	199.5 ±1.55	G - 175	174.3 ±1.37			
P - 31.5	31.2 ±0.31	P - 205	204.5 ±1.58	G - 180	179.3 ±1.40			
P - 32	31.7 ±0.31	P - 209	208.5 ±1.61	G - 185	184.3 ±1.44			
P - 34	33.7 ±0.33	P - 210	209.5 ±1.62	G - 190	189.3 ±1.47			
P - 35	34.7 ±0.34	P - 215	214.5 ±1.65	G - 195	194.3 ±1.51			
P - 35.5	35.2 ±0.34	P - 220	219.5 ±1.68	G - 200	199.3 ±1.55			
P - 36	35.7 ±0.34	P - 225	224.5 ±1.71	G - 205	204.3 ±1.58			
P - 38	37.7 ±0.37	P - 230	229.5 ±1.75	G - 210	209.3 ±1.61			
P - 39	38.7 ±0.37	P - 235	234.5 ±1.78	G - 215	214.3 ±1.64			
P - 40	39.7 ±0.37	P - 240	239.5 ±1.81	G - 220	219.3 ±1.68			
P - 41	40.7 ±0.38	P - 245	244.5 ±1.84	G - 225	224.3 ±1.71			
P - 42	41.7 ±0.39	P - 250	249.5 ±1.88	G - 230	229.3 ±1.73			
P - 44	43.7 ±0.41	P - 255	254.5 ±1.91	G - 235	234.3 ±1.77			
P - 45	44.7 ±0.41	P - 260	259.5 ±1.94	G - 240	239.3 ±1.81			
P - 46	45.7 ±0.42	P - 265	264.5 ±1.97	G - 245	244.3 ±1.84			
P - 48	47.7 ±0.44	P - 270	269.5 ±2.01	G - 250	249.3 ±1.88			
P - 49	48.7 ±0.45	P - 275	274.5 ±2.04	G - 255	254.3 ±1.91			
P - 50	49.7 ±0.45	P - 280	279.5 ±2.07	G - 260	259.3 ±1.94			
P - 48A	47.6 ±0.45	P - 285	284.5 ±2.10	G - 265	264.3 ±1.97			
P - 50A	49.6 ±0.45	P - 290	289.5 ±2.14	G - 270	269.3 ±2.01			
P - 52	51.6 ±0.47	P - 295	294.5 ±2.17	G - 275	274.3 ±2.04			
P - 53	52.6 ±0.48	P - 300	299.5 ±2.20	G - 280	279.3 ±2.07			
P - 55	54.6 ±0.49	P - 315	314.5 ±2.30	G - 285	284.3 ±2.10			
P - 56	55.6 ±0.50	P - 320	319.5 ±2.33	G - 290	289.3 ±2.14			
P - 58	57.6 ±0.52	P - 335	334.5 ±2.42	G - 295	294.3 ±2.17			
P - 60	59.6 ±0.53	P - 340	339.5 ±2.45	G - 300	299.3 ±2.20			
P - 62	61.6 ±0.55	P - 355	354.5 ±2.54	G - 305	304.3 ±2.24			
P - 63	62.6 ±0.56	P - 360	359.5 ±2.57	G - 310	309.3 ±2.27			
P - 65	64.6 ±0.57	P - 375	374.5 ±2.67	G - 315	314.3 ±2.30			
P - 67	66.6 ±0.59	P - 385	384.5 ±2.73	G - 320	319.3 ±2.33			
P - 70	69.6 ±0.61	P - 400	399.5 ±2.82	G - 325	324.3 ±2.36			
				G - 330	329.3 ±2.39			

O-RING SIZE CHART FOR METRIC SEALS

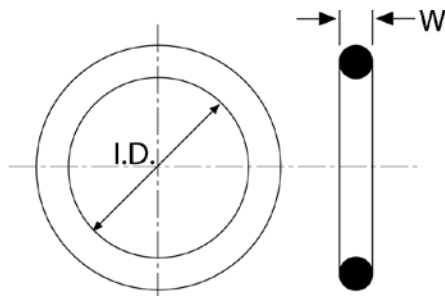
O-RINGS

JIS B 2401	WIDTH	I.D.
G - 335	5.7 ±0.13	334.3 ±2.42
G - 340		339.3 ±2.45
G - 345		344.3 ±2.48
G - 350		349.3 ±2.51
G - 355		354.3 ±2.54
G - 360		359.3 ±2.57
G - 365		364.3 ±2.60
G - 370		369.3 ±2.63
G - 375		374.3 ±2.67
G - 380		379.3 ±2.70
G - 385		384.3 ±2.73
G - 390		389.3 ±2.76
G - 395		394.3 ±2.79
G - 400		399.3 ±2.82
V - 15	4 ±0.10	14.5 ±0.20
V - 24		23.5 ±0.24
V - 34		33.5 ±0.33
V - 40		39.5 ±0.37
V - 55		54.5 ±0.49
V - 70		69 ±0.61
V - 85		84 ±0.72
V - 100		99 ±0.83
V - 120		119 ±0.97
V - 150		148.5 ±1.18
V - 175	173 ±1.36	
V - 225	6 ±0.15	222.5 ±1.70
V - 275		272 ±2.02
V - 325		321.5 ±2.34
V - 380		376 ±2.68
V - 430		425.5 ±2.99
V - 480	10 ±0.30	475 ±3.30
V - 530		524.5 ±3.60
V - 585		579 ±3.92
V - 640		633.5 ±4.24
V - 690		683 ±4.54
V - 740		732.5 ±4.83
V - 790		782 ±5.12
V - 845		836.5 ±5.44
V - 950		940.5 ±6.06
V - 1055		1044 ±6.67

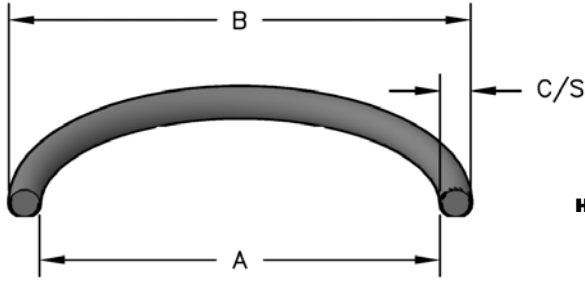
SM - O RINGS	WIDTH	I.D.
SM - 3	1.5 ±0.10	2.5 ±0.15
SM - 4		3.5 ±0.15
SM - 5		4.5 ±0.15
SM - 6		5.5 ±0.15
SM - 7		6.5 ±0.15
SM - 8		7.5 ±0.15
SM - 9		8.5 ±0.15
SM - 10		9.5 ±0.15
SM - 11.2		10.7 ±0.15
SM - 12		11.5 ±0.15
SM - 12.5		12 ±0.15
SM - 14		13.5 ±0.15
SM - 15		14.5 ±0.15
SM - 16		15.5 ±0.15
SM - 18	17.5 ±0.15	
SM - 20	19.5 ±0.15	
SM - 22	21.5 ±0.15	
SM - 22.4	2.0 ±0.10	21.9 ±0.15
SM - 24		23.5 ±0.15
SM - 25		24.5 ±0.15
SM - 26		25.5 ±0.15
SM - 28		27.5 ±0.15
SM - 29		28.5 ±0.15
SM - 30		29.5 ±0.15
SM - 31.5		31 ±0.15
SM - 32		31.5 ±0.15
SM - 34		33.5 ±0.15
SM - 35		34.5 ±0.15
SM - 35.5		35 ±0.15
SM - 36		35.5 ±0.15
SM - 38		37.5 ±0.15
SM - 39		38.5 ±0.15
SM - 40		39.5 ±0.15
SM - 42		41.5 ±0.25
SM - 44		43.5 ±0.25
SM - 45		44.5 ±0.25
SM - 46		45.5 ±0.25
SM - 48		47.5 ±0.25
SM - 50		49.5 ±0.25
SM - 53		52.5 ±0.25
SM - 55		54.5 ±0.25
SM - 56		55.5 ±0.25
SM - 60		59.5 ±0.25
SM - 63		62.5 ±0.25
SM - 65		64.5 ±0.25
SM - 67		66.5 ±0.25
SM - 70		69.5 ±0.25
SM - 71		70.5 ±0.4
SM - 75		74.5 ±0.4
SM - 80		79.5 ±0.4
SM - 85		84.5 ±0.4
SM - 90	89.5 ±0.4	
SM - 95	94.5 ±0.4	
SM - 100	99.5 ±0.4	
SM - 105	104.5 ±0.4	
SM - 110	109.5 ±0.4	
SM - 112	111.5 ±0.4	
SM - 115	114.5 ±0.4	
SM - 120	119.5 ±0.4	
SM - 125	124.5 ±0.4	
SM - 130	129.5 ±0.6	
SM - 132	131.5 ±0.6	

SM - O RINGS	WIDTH	I.D.
SM - 135		134.5 ±0.6
SM - 140		139.5 ±0.6
SM - 145		144.5 ±0.6
SM - 150		149.5 ±0.6

KS-O RINGS	WIDTH	I.D.
KS - 1	1.7 ±0.08	2.75 ±0.13
KS - 2		3.75 ±0.13
KS - 3		4.75 ±0.13
KS - 4		5.75 ±0.13
KS - 5		6.75 ±0.13
KS - 6		7.75 ±0.13
KS - 7		8.75 ±0.13
KS - 8		9.75 ±0.13
KS - 9	2.25 ±0.08	9.7 ±0.13
KS - 10		11.7 ±0.13
KS - 11		13.7 ±0.13
KS - 12		15.7 ±0.13
KS - 13		17.7 ±0.13
KS - 14		19.7 ±0.13
KS - 15	3.3 ±0.10	19.6 ±0.15
KS - 16		21.6 ±0.15
KS - 17		23.6 ±0.15
KS - 18		24.6 ±0.15
KS - 19		25.6 ±0.15
KS - 20		27.6 ±0.15
KS - 21		29.6 ±0.15
KS - 22		31.6 ±0.15
KS - 23		33.6 ±0.15
KS - 24		35.6 ±0.15
KS - 25		37.6 ±0.15
KS - 26		39.6 ±0.15

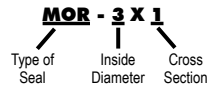


O-RINGS - 70 DURO NITRILE



NOTE: H = HNBR Material

HERCULES PART NUMBERS



SEAL INFORMATION	
MATERIAL	70A DURO NITRILE
TEMPERATURE RANGE	-40° TO +220° F
SPEED	3 FT/SEC

Part Number	A Nom. ID	B Nom. OD	Package Quantity	List Price
1mm C/S				
MOR-3X1	3	5	100	\$0.16
MOR-4X1	4	6	100	0.29
MOR-5X1	5	7	100	0.39
MOR-6X1	6	8	100	0.16
MOR-6.5X1	6.5	8.5	100	0.47
MOR-8X1	8	10	100	0.16
MOR-15X1	15	17	100	0.16
MOR-16X1	16	18	100	0.58
MOR-19X1	19	21	100	0.58
MOR-21X1	21	23	100	0.64
1.2mm C/S				
MOR-85.3X1.2	85.3	87.7	1	\$3.85
1.5mm C/S				
MOR-2.5X1.5	2.5	5.5	100	\$0.71
MOR-3X1.5	3	6	100	0.21
MOR-3.5X1.5	3.5	6.5	100	0.21
MOR-4X1.5	4	7	100	0.29
MOR-5X1.5	5	8	100	0.16
MOR-5.5X1.5	5.5	8.5	100	0.33
MOR-6X1.5	6	9	100	0.16
MOR-7X1.5	7	10	100	0.33
MOR-7.5X1.5	7.5	10.5	50	0.50
MOR-8X1.5	8	11	100	0.34
MOR-8.5X1.5	8.5	11.5	100	0.34
MOR-9X1.5	9	12	100	0.16
MOR-10X1.5	10	13	100	0.16
MOR-11X1.5	11	14	100	0.40
MOR-12X1.5	12	15	100	0.16
MOR-13X1.5	13	16	100	0.16
MOR-14X1.5	14	17	100	0.46
MOR-15X1.5	15	18	100	0.16
MOR-16X1.5	16	19	100	0.16
MOR-17X1.5	17	20	100	0.64
MOR-17.5X1.5	17.5	20.5	100	0.20
MOR-18X1.5	18	21	100	0.20
MOR-19X1.5	19	22	100	0.20
MOR-20X1.5	20	23	100	0.20
MOR-22X1.5	22	25	100	0.20
MOR-23X1.5	23	26	100	0.20
MOR-25X1.5	25	28	100	0.23
MOR-26X1.5	26	29	100	0.86
MOR-27X1.5	27	30	100	0.23

Part Number	A Nom. ID	B Nom. OD	Package Quantity	List Price
MOR-28X1.5	28	31	100	0.23
MOR-30X1.5	30	33	50	0.86
MOR-32X1.5	32	35	50	1.08
MOR-35X1.5	35	38	50	1.08
MOR-36X1.5	36	39	50	1.23
MOR-41X1.5	41	44	50	1.23
MOR-42X1.5	42	45	25	0.57
MOR-43X1.5	43	46	25	0.57
MOR-45X1.5	45	48	25	0.57
MOR-46X1.5	46	49	25	1.53
MOR-47X1.5	47	50	25	1.53
MOR-53X1.5	53	56	20	0.97
MOR-57X1.5	57	60	20	1.07
MOR-65X1.5	65	68	20	1.10
MOR-72X1.5	72	75	20	1.33
1.6mm C/S				
MOR-2.2X1.6	2.2	5.4	100	\$0.20
MOR-3.1X1.6	3.1	6.3	100	0.21
MOR-4.1X1.6	4.1	7.3	100	0.21
MOR-5.1X1.6	5.1	8.3	100	0.30
MOR-6.1X1.6	6.1	9.3	100	0.30
MOR-7.1X1.6	7.1	10.3	25	0.61
MOR-8.1X1.6	8.1	11.3	25	0.68
MOR-9.1X1.6	9.1	12.3	25	0.70
MOR-10.1X1.6	10.1	13.3	25	0.70
MOR-11.1X1.6	11.1	14.3	20	0.81
MOR-12.1X1.6	12.1	15.3	20	0.83
MOR-13.1X1.6	13.1	16.3	20	0.93
MOR-14.1X1.6	14.1	17.3	20	1.00
MOR-15.1X1.6	15.1	18.3	20	1.00
MOR-16.1X1.6	16.1	19.3	20	1.28
MOR-17.1X1.6	17.1	20.3	20	1.33
MOR-18.1X1.6	18.1	21.3	20	1.41
MOR-19.1X1.6	19.1	22.3	20	1.41
MOR-22.1X1.6	22.1	25.3	5	3.81
MOR-25.1X1.6	25.1	28.3	5	4.52
MOR-27.1X1.6	27.1	30.3	5	4.52
MOR-29.1X1.6	29.1	32.3	5	5.03
MOR-32.1X1.6	32.1	35.3	2	9.50
MOR-35.1X1.6	35.1	38.3	2	9.50
MOR-37.1X1.6	37.1	40.3	2	9.50
1.78mm C/S				
MOR-104.4X1.78	104.4	107.96	1	\$41.99

O-RINGS

O-RINGS - 70 DURO NITRILE

O-RINGS

Part Number	A Nom. ID	B Nom. OD	Package Quantity	List Price
1.8mm C/S				
MOR-6.3X1.8	6.3	9.9	50	\$0.39
MOR-7.5X1.8	7.5	11.1	50	0.40
MOR-9.5X1.8	9.5	13.1	50	0.41
MOR-10.6X1.8	10.6	14.2	50	0.57
MOR-12.5X1.8	12.5	16.1	25	1.04
MOR-78X1.8	78	81.6	5	4.25
MOR-92.4X1.8	92.4	96	5	4.22
1.9mm C/S				
MOR-2.8X1.9	2.8	6.6	100	\$0.16
MOR-3.8X1.9	3.8	7.6	100	0.16
MOR-4.8X1.9	4.8	8.6	100	0.16
MOR-5.8X1.9	5.8	9.6	100	0.16
MOR-6.8X1.9	6.8	10.6	100	0.20
MOR-7.8X1.9	7.8	11.6	100	0.20
MOR-8.8X1.9	8.8	12.6	100	0.20
MOR-9.8X1.9	9.8	13.6	100	0.20
MOR-15.8X1.9	15.8	19.6	100	0.20
2mm C/S				
MOR-3X2	3	7	100	\$0.16
MOR-4X2	4	8	100	0.30
MOR-5X2	5	9	100	0.16
MOR-6X2	6	10	100	0.16
MOR-7X2	7	11	100	0.16
MOR-8X2	8	12	100	0.16
MOR-9X2	9	13	100	0.34
MOR-10X2	10	14	100	0.16
MOR-11X2	11	15	100	0.20
MOR-12X2	12	16	100	0.40
MOR-12.5X2	12.5	16.5	100	0.41
MOR-13X2	13	17	100	0.20
MOR-14X2	14	18	100	0.20
MOR-15X2	15	19	100	0.20
MOR-16X2	16	20	100	0.20
MOR-16.5X2	16.5	20.5	100	0.29
MOR-17X2	17	21	100	0.20
MOR-18X2	18	22	100	0.20
MOR-19X2	19	23	100	0.21
MOR-20X2	20	24	50	0.39
MOR-21X2	21	25	50	0.39
MOR-22X2	22	26	50	0.71
MOR-23X2	23	27	50	0.39
MOR-23.5X2	23.5	27.5	50	0.71
MOR-24X2	24	28	50	0.40
MOR-24.5X2	24.5	28.5	50	0.46
MOR-26X2	26	30	50	0.49
MOR-27X2	27	31	50	0.49
MOR-28X2	28	32	50	0.54
MOR-28.5X2	28.5	32.5	25	1.10
MOR-30X2	30	34	25	0.61
MOR-31X2	31	35	25	0.61
MOR-34X2	34	38	25	0.61
MOR-35X2	35	39	25	1.08
MOR-35.5X2	35.5	39.5	25	0.33
MOR-36X2	36	40	25	0.61
MOR-37X2	37	41	25	0.68
MOR-37.5X2	37.5	41.5	25	0.70

Part Number	A Nom. ID	B Nom. OD	Package Quantity	List Price
MOR-39X2	39	43	20	0.81
MOR-39.5X2	39.5	43.5	20	0.81
MOR-42X2	42	46	20	0.81
MOR-43X2	43	47	20	0.81
MOR-44X2	44	48	20	0.83
MOR-45X2	45	49	20	0.83
MOR-46X2	46	50	20	1.10
MOR-48X2	48	52	20	1.13
MOR-49X2	49	53	20	1.12
MOR-50X2	50	54	20	1.13
MOR-52X2	52	56	20	1.13
MOR-53X2	53	57	20	1.13
MOR-55X2	55	59	20	1.30
MOR-56X2	56	60	20	1.30
MOR-57X2	57	61	20	1.33
MOR-58X2	58	62	20	1.33
MOR-59X2	59	63	20	1.33
MOR-63X2	63	67	20	1.33
MOR-64.5X2	64.5	68.5	20	1.40
MOR-65X2	65	69	10	1.93
MOR-66X2	66	70	10	1.93
MOR-67X2	67	71	10	1.93
MOR-68X2	68	72	10	1.93
MOR-69X2	69	73	10	1.93
MOR-69.5X2	69.5	73.5	10	1.93
MOR-70X2	70	74	10	1.95
MOR-72X2	72	76	10	1.95
MOR-73X2	73	77	10	2.03
MOR-74X2	74	78	10	2.07
MOR-74.5X2	74.5	78.5	10	2.15
MOR-76X2	76	80	10	2.15
MOR-77X2	77	81	10	2.17
MOR-78X2	78	82	10	2.20
MOR-79.5X2	79.5	83.5	10	2.20
MOR-80X2	80	84	10	2.20
MOR-84.5X2	84.5	88.5	10	2.20
MOR-85X2	85	89	10	2.30
MOR-86X2	86	90	10	2.30
MOR-88X2	88	92	10	2.31
MOR-90X2	90	94	10	2.31
MOR-93X2	93	97	10	2.31
MOR-100X2	100	104	10	2.71
MOR-105X2	105	109	5	3.88
MOR-114.5X2	114.5	118.5	5	3.82
MOR-125X2	125	129	5	3.32
MOR-266.9X2	266.9	270.9	1	40.21
2.4mm C/S				
MOR-3.3X2.4	3.3	8.1	100	\$0.16
MOR-3.6X2.4	3.6	8.4	50	0.49
MOR-4.3X2.4	4.3	9.1	50	0.49
MOR-4.6X2.4	4.6	9.4	50	0.49
MOR-5.3X2.4	5.3	10.1	50	0.49
MOR-5.6X2.4	5.6	10.4	50	0.54
MOR-6.3X2.4	6.3	11.1	50	0.57
MOR-6.6X2.4	6.6	11.4	25	0.57
MOR-7.3X2.4	7.3	12.1	25	0.57
MOR-7.6X2.4	7.6	12.4	25	0.57

O-RINGS - 70 DURO NITRILE

Part Number	A Nom. ID	B Nom. OD	Package Quantity	List Price
MOR-8.3X2.4	8.3	13.1	25	0.78
MOR-8.6X2.4	8.6	13.4	25	0.78
MOR-9.3X2.4	9.3	14.1	20	0.81
MOR-9.6X2.4	9.6	14.4	20	0.81
MOR-9.8X2.4	9.8	14.6	100	0.09
MOR-10.3X2.4	10.3	15.1	20	0.81
MOR-10.6X2.4	10.6	15.4	20	0.83
MOR-10.8X2.4	10.8	15.6	100	0.16
MOR-11X2.4	11	15.8	100	0.16
MOR-11.3X2.4	11.3	16.1	20	0.81
MOR-11.6X2.4	11.6	16.4	20	0.93
MOR-11.8X2.4	11.8	16.6	100	0.93
MOR-12.3X2.4	12.3	17.1	20	0.97
MOR-12.6X2.4	12.6	17.4	20	0.98
MOR-12.8X2.4	12.8	17.6	100	0.78
MOR-13.3X2.4	13.3	18.1	20	0.97
MOR-13.6X2.4	13.6	18.4	100	0.13
MOR-13.8X2.4	13.8	18.6	100	0.36
MOR-14.3X2.4	14.3	19.1	10	1.53
MOR-14.8X2.4	14.8	19.6	100	1.30
MOR-15.8X2.4	15.8	20.6	100	0.20
MOR-16.3X2.4	16.3	21.1	10	1.68
MOR-16.6X2.4	16.6	21.4	20	1.00
MOR-17.3X2.4	17.3	22.1	10	1.70
MOR-17.6X2.4	17.6	22.4	1	0.51
MOR-17.8X2.4	17.8	22.6	100	0.20
MOR-18.8X2.4	18.8	23.6	100	0.21
MOR-19.6X2.4	19.6	24.4	20	1.01
MOR-19.8X2.4	19.8	24.6	100	1.63
MOR-20.8X2.4	20.8	25.6	100	0.21
MOR-21.8X2.4	21.8	26.6	100	0.23
MOR-27.3X2.4	27.3	32.1	10	2.03
MOR-27.6X2.4	27.6	32.4	10	2.30
MOR-29.6X2.4	29.6	34.4	10	2.47
MOR-31.6X2.4	31.6	36.4	10	2.67
MOR-34.6X2.4	34.6	39.4	10	2.13
MOR-37.6X2.4	37.6	42.4	10	2.31
MOR-39.6X2.4	39.6	44.4	10	2.62
MOR-44.6X2.4	44.6	49.4	10	2.68
MOR-47.6X2.4	47.6	52.4	5	2.85
MOR-49.6X2.4	49.6	54.4	5	2.91
MOR-51.6X2.4	51.6	56.4	5	3.04
MOR-52.8X2.4	52.8	57.6	10	2.08
MOR-54.6X2.4	54.6	59.4	5	3.02
MOR-55.5X2.4	55.5	60.3	5	4.02
MOR-57.6X2.4	57.6	62.4	5	3.39
MOR-59.6X2.4	59.6	64.4	5	3.41
MOR-59.7X2.4	59.7	64.5	5	4.11
MOR-61.6X2.4	61.6	66.4	5	3.48
MOR-64.6X2.4	64.6	69.4	5	3.58
MOR-67.6X2.4	67.6	72.4	5	3.67
MOR-69.6X2.4	69.6	74.4	5	3.81
MOR-98.3X2.4	98.3	103.1	1	3.06
MOR-125.3X2.4	125.3	130.1	5	7.07
2.5mm C/S				
MOR-4X2.5	4	9	100	\$0.34
MOR-5X2.5	5	10	100	0.34

Part Number	A Nom. ID	B Nom. OD	Package Quantity	List Price
MOR-6X2.5	6	11	100	0.16
MOR-7X2.5	7	12	100	0.34
MOR-8X2.5	8	13	100	0.16
MOR-9X2.5	9	14	100	0.16
MOR-10X2.5	10	15	100	0.20
MOR-11X2.5	11	16	100	0.20
MOR-12X2.5	12	17	100	0.20
MOR-13X2.5	13	18	100	0.21
MOR-14X2.5	14	19	100	0.22
MOR-15X2.5	15	20	100	0.21
MOR-16X2.5	16	21	100	0.64
MOR-17X2.5	17	22	100	0.23
MOR-18X2.5	18	23	100	0.64
MOR-19X2.5	19	24	50	0.64
MOR-20X2.5	20	25	50	0.71
MOR-21X2.5	21	26	50	0.33
MOR-22X2.5	22	27	50	0.39
MOR-23X2.5	23	28	50	0.39
MOR-24X2.5	24	29	50	0.40
MOR-25X2.5	25	30	50	0.46
MOR-26X2.5	26	31	50	0.46
MOR-27X2.5	27	32	50	0.46
MOR-28X2.5	28	33	50	0.46
MOR-29X2.5	29	34	50	0.49
MOR-30X2.5	30	35	50	0.49
MOR-31X2.5	31	36	50	1.08
MOR-32X2.5	32	37	50	0.49
MOR-35X2.5	35	40	25	1.08
MOR-36X2.5	36	41	25	1.23
MOR-37X2.5	37	42	25	0.68
MOR-37.5X2.5	37.5	42.5	20	0.83
MOR-38X2.5	38	43	20	0.83
MOR-39X2.5	39	44	20	0.93
MOR-40X2.5	40	45	20	0.93
MOR-42X2.5	42	47	20	0.93
MOR-45X2.5	45	50	20	0.97
MOR-46X2.5	46	51	20	1.01
MOR-47X2.5	47	52	20	1.01
MOR-48X2.5	48	53	20	1.01
MOR-49X2.5	49	54	20	1.07
MOR-50X2.5	50	55	20	1.07
MOR-53X2.5	53	58	20	1.16
MOR-54X2.5	54	59	20	1.16
MOR-55X2.5	55	60	20	1.30
MOR-57X2.5	57	62	20	1.30
MOR-58X2.5	58	63	20	1.33
MOR-59X2.5	59	64	20	1.33
MOR-60X2.5	60	65	20	1.20
MOR-63X2.5	63	68	10	1.78
MOR-65X2.5	65	70	10	1.83
MOR-67X2.5	67	72	10	1.83
MOR-69X2.5	69	74	10	2.07
MOR-70X2.5	70	75	10	2.07
MOR-72X2.5	72	77	10	2.08
MOR-73X2.5	73	78	10	2.08
MOR-75X2.5	75	80	10	2.10
MOR-76X2.5	76	81	10	2.10
MOR-80X2.5	80	85	10	2.48

O-RINGS - 70 DURO NITRILE

O-RINGS

Part Number	A Nom. ID	B Nom. OD	Package Quantity	List Price
MOR-85X2.5	85	90	10	2.50
MOR-90X2.5	90	95	10	2.51
MOR-94X2.5	94	99	10	2.62
MOR-100X2.5	100	105	5	3.08
MOR-110X2.5	110	115	5	3.42
MOR-115X2.5	115	120	5	3.31
MOR-116X2.5	116	121	5	3.79
MOR-120X2.5	120	125	5	3.81
MOR-140X2.5	140	145	5	3.94
MOR-271.5X2.5	271.5	276.5	1	52.72
2.65mm C/S				
MOR-14X2.65	14	19.3	50	\$0.39
MOR-15X2.65	15	20.3	50	0.41
MOR-16X2.65	16	21.3	50	0.41
MOR-18X2.65	18	23.3	50	0.46
MOR-25X2.65	25	30.3	25	0.57
MOR-30X2.65	30	35.3	25	0.70
MOR-90X2.65	90	95.3	3	6.31
3mm C/S				
MOR-5X3	5	11	100	\$0.34
MOR-6X3	6	12	100	0.20
MOR-8X3	8	14	100	0.21
MOR-8.5X3	8.5	14.5	50	0.21
MOR-9X3	9	15	100	0.21
MOR-9.5X3	9.5	15.5	100	0.23
MOR-10X3	10	16	100	0.23
MOR-11X3	11	17	100	0.23
MOR-12X3	12	18	100	0.47
MOR-13X3	13	19	50	0.33
MOR-14X3	14	20	50	0.33
MOR-15X3	15	21	50	0.39
MOR-16X3	16	22	50	0.39
MOR-17X3	17	23	50	0.40
MOR-18X3	18	24	50	0.41
MOR-19X3	19	25	50	0.41
MOR-19.2X3	19.2	25.2	50	0.41
MOR-20X3	20	26	50	0.46
MOR-21X3	21	27	50	0.49
MOR-22X3	22	28	50	0.49
MOR-22.2X3	22.2	28.2	50	0.54
MOR-23X3	23	29	50	0.54
MOR-24X3	24	30	50	0.54
MOR-24.2X3	24.2	30.2	15	0.88
MOR-25X3	25	31	25	0.57
MOR-26X3	26	32	25	0.57
MOR-27X3	27	33	25	0.58
MOR-28X3	28	34	25	0.58
MOR-29X3	29	35	25	0.68
MOR-30X3	30	36	25	0.68
MOR-31X3	31	37	25	0.70
MOR-32X3	32	38	25	0.70
MOR-33X3	33	39	25	0.78
MOR-34X3	34	40	20	0.78
MOR-35X3	35	41	20	0.83
MOR-36X3	36	42	20	0.83
MOR-36.2X3	36.2	42.2	20	0.93
MOR-36.5X3	36.5	42.5	20	0.97

Part Number	A Nom. ID	B Nom. OD	Package Quantity	List Price
MOR-37.5X3	37.5	43.5	20	0.98
MOR-38X3	38	44	20	0.98
MOR-39X3	39	45	20	0.98
MOR-40X3	40	46	20	1.01
MOR-41.5X3	41.5	47.5	20	2.00
MOR-42X3	42	48	20	1.07
MOR-42.2X3	42.2	48.2	20	1.07
MOR-43X3	43	49	20	1.07
MOR-44X3	44	50	20	1.13
MOR-45X3	45	51	20	1.13
MOR-46X3	46	52	20	1.16
MOR-47X3	47	53	20	1.16
MOR-48X3	48	54	20	1.16
MOR-49.5X3	49.5	55.5	20	1.30
MOR-51X3	51	57	20	1.33
MOR-52X3	52	58	20	1.33
MOR-54X3	54	60	20	1.33
MOR-54.5X3	54.5	60.5	20	1.33
MOR-55X3	55	61	20	1.33
MOR-56X3	56	62	20	1.40
MOR-57X3	57	63	20	1.40
MOR-58X3	58	64	20	1.40
MOR-59X3	59	65	20	1.41
MOR-59.5X3	59.5	65.5	20	1.41
MOR-60X3	60	66	20	1.41
MOR-62X3	62	68	10	1.41
MOR-63X3	63	69	10	1.63
MOR-64X3	64	70	10	1.71
MOR-64.5X3	64.5	70.5	10	1.78
MOR-65X3	65	71	10	1.90
MOR-66X3	66	72	10	2.08
MOR-67X3	67	73	10	2.08
MOR-68X3	68	74	10	2.08
MOR-69X3	69	75	10	2.08
MOR-70X3	70	76	10	2.08
MOR-71X3	71	77	10	2.11
MOR-72X3	72	78	10	2.13
MOR-74X3	74	80	10	2.13
MOR-74.5X3	74.5	80.5	10	2.20
MOR-75X3	75	81	10	2.30
MOR-76X3	76	82	10	2.31
MOR-77X3	77	83	10	2.31
MOR-78X3	78	84	10	2.32
MOR-79X3	79	85	10	2.32
MOR-79.5X3	79.5	85.5	10	2.34
MOR-80X3	80	86	10	2.34
MOR-81X3	81	87	10	2.38
MOR-82X3	82	88	10	2.51
MOR-85X3	85	91	10	2.51
MOR-86X3	86	92	10	2.67
MOR-88X3	88	94	10	2.67
MOR-89X3	89	95	10	2.67
MOR-90X3	90	96	10	2.68
MOR-92X3	92	98	10	2.68
MOR-94X3	94	100	1	4.81
MOR-94.5X3	94.5	100.5	10	2.70
MOR-95X3	95	101	10	2.70
MOR-96X3	96	102	10	2.70

O-RINGS - 70 DURO NITRILE



O-RINGS

Part Number	A Nom. ID	B Nom. OD	Package Quantity	List Price
MOR-97X3	97	103	10	2.71
MOR-99X3	99	105	5	2.91
MOR-100X3	100	106	5	2.91
MOR-104X3	104	110	5	2.98
MOR-104.5X3	104.5	110.5	5	2.98
MOR-105X3	105	111	1	3.15
MOR-106X3	106	112	5	3.01
MOR-108X3	108	114	5	3.01
MOR-109.5X3	109.5	115.5	5	3.01
MOR-110X3	110	116	5	3.01
MOR-114.5X3	114.5	120.5	5	3.02
MOR-115X3	115	121	5	3.02
MOR-118X3	118	124	5	3.04
MOR-120X3	120	126	5	3.08
MOR-125X3	125	131	5	3.10
MOR-128X3	128	134	5	3.29
MOR-130X3	130	136	5	3.29
MOR-130X3H	130	136	1	6.23
MOR-132X3	132	138	5	3.59
MOR-135X3	135	141	5	3.61
MOR-139.5X3	139.5	145.5	5	3.54
MOR-144.5X3	144.5	150.5	1	12.95
MOR-145X3	145	151	5	4.51
MOR-149X3	149	155	5	4.82
MOR-150X3	150	156	5	4.96
MOR-155X3	155	161	5	5.31
MOR-160X3	160	166	5	5.32
MOR-170X3	170	176	5	7.30
MOR-175X3	175	181	2	6.12
MOR-180X3	180	186	2	6.16
MOR-194X3	194	200	2	6.95
MOR-205X3	205	211	2	7.02
MOR-215X3	215	221	2	9.50
MOR-220X3	220	226	2	9.53
MOR-225X3	225	231	2	9.74
MOR-240X3	240	246	2	11.20
MOR-245X3	245	251	2	25.32
MOR-260X3	260	266	1	20.22
3.1mm C/S				
MOR-24.4X3.1	24.4	30.6	25	\$0.61
MOR-29.4X3.1	29.4	35.6	20	0.81
MOR-32X3.1	32	38.2	20	3.52
MOR-34.4X3.1	34.4	40.6	20	1.07
MOR-39.4X3.1	39.4	45.6	20	1.13
MOR-44.4X3.1	44.4	50.6	10	4.02
MOR-49.4X3.1	49.4	55.6	10	5.42
MOR-54.4X3.1	54.4	60.6	10	1.71
MOR-57.4X3.1	57.4	63.6	10	1.93
MOR-59.4X3.1	59.4	65.6	10	1.95
MOR-64.4X3.1	64.4	70.6	10	2.07
MOR-69.4X3.1	69.4	75.6	10	2.48
MOR-74.4X3.1	74.4	80.6	5	2.98
MOR-79.4X3.1	79.4	85.6	5	3.01
MOR-84.4X3.1	84.4	90.6	5	10.70
MOR-89.4X3.1	89.4	95.6	5	3.10
MOR-94.4X3.1	94.4	100.6	5	4.02
MOR-99.4X3.1	99.4	105.6	5	3.48

Part Number	A Nom. ID	B Nom. OD	Package Quantity	List Price
MOR-104.4X3.1	104.4	110.6	5	3.54
MOR-109.4X3.1	109.4	115.6	5	4.32
MOR-114.4X3.1	114.4	120.6	5	4.59
MOR-119.4X3.1	119.4	125.6	5	4.79
MOR-124.4X3.1	124.4	130.6	5	4.64
MOR-129.4X3.1	129.4	135.6	5	4.91
MOR-134.4X3.1	134.4	140.6	2	2.95
MOR-139.4X3.1	139.4	145.6	2	3.57
MOR-144.4X3.1	144.4	150.6	2	5.90
MOR-149.4X3.1	149.4	155.6	2	8.32
3.3mm C/S				
MOR-16.6X3.3	16.6	23.2	5	\$3.81
3.5mm C/S				
MOR-14X3.5	14	21	50	\$0.68
MOR-15X3.5	15	22	50	0.68
MOR-16X3.5	16	23	50	0.81
MOR-20X3.5	20	27	50	0.46
MOR-21X3.5	21	28	50	0.49
MOR-21.7X3.5	21.7	28.7	25	0.58
MOR-22X3.5	22	29	25	0.58
MOR-22.1X3.5	22.1	29.1	25	1.98
MOR-23.7X3.5	23.7	30.7	25	2.10
MOR-24.7X3.5	24.7	31.7	25	0.61
MOR-25X3.5	25	32	25	0.57
MOR-25.2X3.5	25.2	32.2	25	2.31
MOR-25.7X3.5	25.7	32.7	25	0.78
MOR-27.7X3.5	27.7	34.7	20	0.81
MOR-28.7X3.5	28.7	35.7	20	0.81
MOR-29.2X3.5	29.2	36.2	20	2.62
MOR-29.7X3.5	29.7	36.7	20	0.81
MOR-30X3.5	30	37	20	0.83
MOR-30.7X3.5	30.7	37.7	20	0.83
MOR-31.2X3.5	31.2	38.2	20	0.83
MOR-31.7X3.5	31.7	38.7	20	0.83
MOR-33.7X3.5	33.7	40.7	20	1.01
MOR-34.7X3.5	34.7	41.7	20	3.54
MOR-35.2X3.5	35.2	42.2	20	3.69
MOR-35.7X3.5	35.7	42.7	20	4.02
MOR-37X3.5	37	44	20	1.07
MOR-37.7X3.5	37.7	44.7	20	1.08
MOR-38X3.5	38	45	20	1.08
MOR-38.7X3.5	38.7	45.7	20	1.08
MOR-39.7X3.5	39.7	46.7	20	1.33
MOR-40.7X3.5	40.7	47.7	20	1.33
MOR-41.7X3.5	41.7	48.7	20	1.13
MOR-42X3.5	42	49	20	1.28
MOR-43.7X3.5	43.7	50.7	10	1.47
MOR-44.7X3.5	44.7	51.7	10	1.48
MOR-45.7X3.5	45.7	52.7	10	1.48
MOR-47.7X3.5	47.7	54.7	10	1.53
MOR-48.7X3.5	48.7	55.7	10	1.53
MOR-49.7X3.5	49.7	56.7	10	1.57
MOR-50X3.5	50	57	10	1.53
MOR-52X3.5	52	59	10	1.53
MOR-56X3.5	56	63	10	1.60
MOR-58X3.5	58	65	10	1.60
MOR-60X3.5	60	67	10	1.67

O-RINGS - 70 DURO NITRILE

O-RINGS

Part Number	A Nom. ID	B Nom. OD	Package Quantity	List Price
MOR-63X3.5	63	70	10	2.07
MOR-65X3.5	65	72	10	2.13
MOR-69X3.5	69	76	10	2.15
MOR-71X3.5	71	78	10	2.20
MOR-73X3.5	73	80	10	2.47
MOR-75X3.5	75	82	1	1.37
MOR-86X3.5	86	93	5	2.98
MOR-87X3.5	87	94	5	3.17
MOR-105X3.5	105	112	5	3.64
MOR-112X3.5	112	119	5	3.94
MOR-118X3.5	118	125	5	4.11
MOR-120X3.5	120	127	5	4.18
MOR-132X3.5	132	139	5	5.03
MOR-145X3.5	145	152	5	5.76
MOR-170X3.5	170	177	2	6.18
MOR-175X3.5	175	182	2	7.02
MOR-180X3.5	180	187	2	7.12
MOR-200X3.5	200	207	2	10.64
MOR-202X3.5	202	209	2	9.50
MOR-210X3.5	210	217	2	10.17
3.55mm C/S				
MOR-42.5X3.55	42.5	49.6	5	\$2.51
4mm C/S				
MOR-9X4	9	17	50	\$0.33
MOR-11X4	11	19	50	0.39
MOR-12X4	12	20	50	0.39
MOR-14X4	14	22	50	0.40
MOR-15X4	15	23	50	0.40
MOR-16X4	16	24	50	0.97
MOR-17X4	17	25	50	0.97
MOR-19X4	19	27	50	0.49
MOR-20X4	20	28	50	0.54
MOR-21X4	21	29	50	0.54
MOR-22X4	22	30	25	1.03
MOR-23X4	23	31	25	0.58
MOR-23.5X4	23.5	31.5	25	0.58
MOR-24X4	24	32	25	0.58
MOR-25X4	25	33	25	0.68
MOR-27X4	27	35	25	0.70
MOR-28X4	28	36	25	0.70
MOR-30X4	30	38	20	0.81
MOR-31X4	31	39	20	0.83
MOR-32X4	32	40	20	0.98
MOR-33X4	33	41	20	0.98
MOR-34X4	34	42	20	0.98
MOR-35X4	35	43	20	1.00
MOR-37X4	37	45	20	1.07
MOR-38X4	38	46	20	1.07
MOR-40X4	40	48	20	1.10
MOR-41X4	41	49	20	1.13
MOR-42X4	42	50	20	1.13
MOR-44X4	44	52	20	1.16
MOR-45X4	45	53	20	1.16
MOR-47X4	47	55	10	1.47
MOR-48X4	48	56	10	1.47
MOR-50X4	50	58	10	1.60
MOR-52X4	52	60	10	1.67

Part Number	A Nom. ID	B Nom. OD	Package Quantity	List Price
MOR-54X4	54	62	10	1.68
MOR-55X4	55	63	10	1.68
MOR-56X4	56	64	10	1.68
MOR-57X4	57	65	10	1.70
MOR-58X4	58	66	10	1.70
MOR-60X4	60	68	10	2.07
MOR-62X4	62	70	10	2.08
MOR-64X4	64	72	10	2.08
MOR-65X4	65	73	10	2.10
MOR-66X4	66	74	10	2.47
MOR-67X4	67	75	10	2.48
MOR-68X4	68	76	10	2.48
MOR-70X4	70	78	10	2.48
MOR-72X4	72	80	10	2.51
MOR-75X4	75	83	10	2.70
MOR-76X4	76	84	5	2.98
MOR-78X4	78	86	5	2.98
MOR-80X4	80	88	5	3.01
MOR-82X4	82	90	5	3.04
MOR-84X4	84	92	5	3.02
MOR-85X4	85	93	5	2.97
MOR-86X4	86	94	5	3.04
MOR-89X4	89	97	5	3.08
MOR-90X4	90	98	5	3.08
MOR-92X4	92	100	5	3.19
MOR-95X4	95	103	5	3.22
MOR-96X4	96	104	5	3.79
MOR-98X4	98	106	5	3.79
MOR-100X4	100	108	5	3.79
MOR-102X4	102	110	5	3.84
MOR-104X4	104	112	5	3.89
MOR-105X4	105	113	5	3.89
MOR-108X4	108	116	5	3.94
MOR-110X4	110	118	5	3.99
MOR-112X4	112	120	5	4.01
MOR-114X4	114	122	5	4.01
MOR-115X4	115	123	5	4.01
MOR-116X4	116	124	5	4.02
MOR-117X4	117	125	5	4.02
MOR-118X4	118	126	5	4.02
MOR-119X4	119	127	5	4.07
MOR-120X4	120	128	5	4.07
MOR-124X4	124	132	5	4.11
MOR-126X4	126	134	5	4.18
MOR-127X4	127	135	5	4.18
MOR-128X4	128	136	5	4.29
MOR-129X4	129	137	5	4.29
MOR-130X4	130	138	5	4.29
MOR-132X4	132	140	5	4.36
MOR-133X4	133	141	5	4.36
MOR-134X4	134	142	5	4.41
MOR-136X4	136	144	5	5.43
MOR-137X4	137	145	5	5.43
MOR-140X4	140	148	5	4.51
MOR-142X4	142	150	5	4.51
MOR-146X4	146	154	5	4.59
MOR-150X4	150	158	5	5.03
MOR-155X4	155	163	5	4.79

O-RINGS - 70 DURO NITRILE

O-RINGS

Part Number	A Nom. ID	B Nom. OD	Package Quantity	List Price
MOR-160X4	160	168	5	4.81
MOR-164X4	164	172	5	5.23
MOR-170X4	170	178	5	5.39
MOR-172X4	172	180	5	9.78
MOR-177X4	177	185	5	9.90
MOR-180X4	180	188	5	10.00
MOR-200X4	200	208	5	12.28
MOR-240X4	240	248	2	15.69
MOR-250X4	250	258	2	15.85
MOR-265X4	265	273	2	15.96
MOR-270X4	270	278	2	15.96
MOR-285X4	285	293	1	20.22
MOR-287X4	287	295	1	76.21
MOR-438X4	438	446	1	35.46
5mm C/S				
MOR-15X5	15	25	25	\$0.58
MOR-16X5	16	26	25	1.10
MOR-18X5	18	28	1	1.31
MOR-19X5	19	29	25	0.78
MOR-20X5	20	30	20	0.81
MOR-21X5	21	31	20	0.81
MOR-22X5	22	32	20	0.83
MOR-24X5	24	34	20	0.98
MOR-27X5	27	37	20	1.01
MOR-28X5	28	38	20	1.01
MOR-30X5	30	40	20	1.20
MOR-32X5	32	42	20	1.30
MOR-35X5	35	45	20	1.41
MOR-40X5	40	50	10	1.71
MOR-42X5	42	52	10	1.78
MOR-44X5	44	54	10	1.83
MOR-45X5	45	55	10	1.90
MOR-50X5	50	60	10	2.10
MOR-52X5	52	62	10	2.15
MOR-55X5	55	65	10	2.20
MOR-58X5	58	68	10	2.15
MOR-60X5	60	70	10	2.50
MOR-65X5	65	75	10	2.67
MOR-68X5	68	78	10	2.70
MOR-70X5	70	80	10	2.71
MOR-73X5	73	83	5	3.08
MOR-75X5	75	85	5	3.10
MOR-78X5	78	88	5	3.19
MOR-80X5	80	90	5	3.22
MOR-82X5	82	92	5	3.32
MOR-85X5	85	95	5	3.34
MOR-90X5	90	100	5	3.61
MOR-92X5	92	102	5	3.59
MOR-95X5	95	105	5	3.89
MOR-97X5	97	107	5	4.21
MOR-100X5	100	110	5	4.36
MOR-105X5	105	115	5	4.42
MOR-107X5	107	117	5	4.44
MOR-108X5	108	118	5	4.44
MOR-110X5	110	120	5	4.46
MOR-112X5	112	122	5	4.51
MOR-118X5	118	128	5	4.62

Part Number	A Nom. ID	B Nom. OD	Package Quantity	List Price
MOR-120X5	120	130	5	5.11
MOR-121X5	121	131	5	5.11
MOR-122X5	122	132	5	5.12
MOR-125X5	125	135	5	5.15
MOR-130X5	130	140	5	5.18
MOR-138X5	138	148	5	5.39
MOR-140X5	140	150	5	5.43
MOR-150X5	150	160	5	5.03
MOR-155X5	155	165	2	6.99
MOR-158X5	158	168	2	7.74
MOR-160X5	160	170	2	7.24
MOR-165X5	165	175	2	7.46
MOR-173X5	173	183	2	7.47
MOR-175X5	175	185	2	7.49
MOR-180X5	180	190	2	7.82
MOR-195X5	195	205	2	9.03
MOR-200X5	200	210	2	9.11
MOR-205X5	205	215	2	24.48
MOR-220X5	220	230	2	14.29
MOR-225X5	225	235	2	15.30
MOR-235X5	235	245	1	16.99
MOR-240X5	240	250	1	17.19
MOR-245X5	245	255	1	17.53
MOR-250X5	250	260	1	17.87
MOR-255X5	255	265	1	18.04
MOR-265X5	265	275	1	18.93
MOR-275X5	275	285	1	19.10
MOR-290X5	290	300	1	23.43
MOR-300X5	300	310	1	23.43
MOR-330X5	330	340	1	23.66
MOR-345X5	345	355	1	26.37
MOR-395X5	395	405	1	31.84
5.25mm C/S				
MOR-182X5.25	182	192.5	1	\$6.92
5.3mm C/S				
MOR-40X5.3	40	50.6	10	\$1.71
MOR-41.3X5.3	41.3	51.9	1	11.30
MOR-45X5.3	45	55.6	10	2.13
MOR-50X5.3	50	60.6	10	2.15
MOR-58X5.3	58	68.6	10	2.70
MOR-61.3X5.3	61.3	71.9	1	11.74
MOR-150X5.3	150	160.6	2	6.02
MOR-170X5.3	170	180.6	2	9.70
5.7mm C/S				
MOR-47.6X5.7	47.6	59	5	\$3.89
MOR-49.6X5.7	49.6	61	5	3.99
MOR-51.6X5.7	51.6	63	5	4.07
MOR-52.6X5.7	52.6	64	5	4.11
MOR-54.6X5.7	54.6	66	5	4.21
MOR-55.6X5.7	55.6	67	5	4.36
MOR-57.6X5.7	57.6	69	5	5.68
MOR-59.2X5.7	59.2	70.6	5	5.16
MOR-59.6X5.7	59.6	71	2	5.72
MOR-61.6X5.7	61.6	73	2	7.05
MOR-62.6X5.7	62.6	74	2	7.12
MOR-64.6X5.7	64.6	76	2	7.29
MOR-66.6X5.7	66.6	78	2	7.40

O-RINGS - 70 DURO NITRILE

O-RINGS

Part Number	A Nom. ID	B Nom. OD	Package Quantity	List Price
MOR-67.6X5.7	67.6	79	2	9.91
MOR-69.6X5.7	69.6	81	2	7.32
MOR-70.6X5.7	70.6	82	2	7.49
MOR-74.3X5.7	74.3	85.7	5	3.79
MOR-74.6X5.7	74.6	86	2	7.82
MOR-77.2X5.7	77.2	88.6	5	4.66
MOR-79.3X5.7	79.3	90.7	5	4.01
MOR-79.6X5.7	79.6	91	2	8.00
MOR-84.3X5.7	84.3	95.7	5	4.18
MOR-84.6X5.7	84.6	96	2	8.30
MOR-89.3X5.7	89.3	100.7	5	4.21
MOR-89.6X5.7	89.6	101	2	8.46
MOR-94.3X5.7	94.3	105.7	5	5.15
MOR-94.6X5.7	94.6	106	2	8.76
MOR-99.3X5.7	99.3	110.7	5	5.18
MOR-99.6X5.7	99.6	111	2	8.93
MOR-101.6X5.7	101.6	113	2	11.20
MOR-104.3X5.7	104.3	115.7	5	5.29
MOR-104.6X5.7	104.6	116	2	11.41
MOR-109.3X5.7	109.3	120.7	5	5.32
MOR-109.6X5.7	109.6	121	2	11.61
MOR-111.6X5.7	111.6	123	2	11.70
MOR-114.3X5.7	114.3	125.7	2	8.10
MOR-114.6X5.7	114.6	126	2	11.81
MOR-119.6X5.7	119.6	131	2	12.04
MOR-124.3X5.7	124.3	135.7	2	5.93
MOR-124.6X5.7	124.6	136	2	12.22
MOR-129.3X5.7	129.3	140.7	2	6.18
MOR-129.6X5.7	129.6	141	2	12.29
MOR-131.6X5.7	131.6	143	2	12.38
MOR-134.3X5.7	134.3	145.7	2	6.46
MOR-134.6X5.7	134.6	146	2	12.51
MOR-139.6X5.7	139.6	151	2	12.67
MOR-144.3X5.7	144.3	155.7	2	6.99
MOR-144.6X5.7	144.6	156	2	12.89
MOR-149.3X5.7	149.3	160.7	2	9.60
MOR-149.6X5.7	149.6	161	2	15.33
MOR-154.3X5.7	154.3	165.7	2	9.74
MOR-159.3X5.7	159.3	170.7	2	9.68
MOR-164.3X5.7	164.3	175.7	2	9.78
MOR-169.3X5.7	169.3	180.7	2	9.96
MOR-174.3X5.7	174.3	185.7	2	13.42
MOR-179.3X5.7	179.3	190.7	2	25.19
MOR-184.3X5.7	184.3	195.7	2	13.72
MOR-189.3X5.7	189.3	200.7	2	13.82
MOR-194.3X5.7	194.3	205.7	2	13.98
MOR-199.3X5.7	199.3	210.7	2	16.30
MOR-209.3X5.7	209.3	220.7	2	16.59
MOR-214.3X5.7	214.3	225.7	2	16.63
MOR-219.3X5.7	219.3	230.7	2	16.94
MOR-224.3X5.7	224.3	235.7	1	17.19
MOR-229.3X5.7	229.3	240.7	1	17.19
MOR-234.3X5.7	234.3	245.7	1	18.46
MOR-239.3X5.7	239.3	250.7	1	18.80
MOR-249.3X5.7	249.3	260.7	1	19.80
MOR-254.3X5.7	254.3	265.7	1	21.62
MOR-259.3X5.7	259.3	270.7	1	21.69
MOR-269.3X5.7	269.3	280.7	1	21.89

Part Number	A Nom. ID	B Nom. OD	Package Quantity	List Price
MOR-279.3X5.7	279.3	290.7	1	23.12
MOR-289.3X5.7	289.3	300.7	1	24.45
MOR-299.3X5.7	299.3	310.7	1	24.60
MOR-304.3X5.7	304.3	315.7	1	28.81
MOR-309.3X5.7	309.3	320.7	1	28.81
MOR-359.3X5.7	359.3	370.7	1	33.43
MOR-399.3X5.7	399.3	410.7	1	44.06
MOR-404.3X5.7	404.3	415.7	1	44.64
MOR-424.3X5.7	424.3	435.7	1	45.53
MOR-439.3X5.7	439.3	450.7	1	48.44
MOR-444.3X5.7	444.3	455.7	1	48.77
MOR-459.3X5.7	459.3	470.7	1	51.40
MOR-464.3X5.7	464.3	475.7	1	51.76
MOR-469.3X5.7	469.3	480.7	1	52.33
MOR-474.3X5.7	474.3	485.7	1	52.13
MOR-489.3X5.7	489.3	500.7	1	54.23
MOR-494.3X5.7	494.3	505.7	1	59.82
MOR-499.3X5.7	499.3	510.7	1	55.57
6mm C/S				
MOR-20X6	20	32	10	\$1.53
MOR-25X6	25	37	10	1.53
MOR-37X6	37	49	10	2.32
MOR-46X6	46	58	10	8.32
MOR-114X6	114	126	5	9.31
MOR-160X6	160	172	2	8.13
MOR-242X6	242	254	1	20.52
MOR-335X6	335	347	1	46.01
6.99mm C/S				
MOR-297.8X6.99	297.8	311.78	1	\$18.67
8mm C/S				
MOR-100X8	100	116	1	\$5.93
MOR-180X8	180	196	1	82.64
MOR-215X8	215	231	1	43.39
MOR-280X8	280	296	1	37.10
8.4mm C/S				
MOR-144.1X8.4	144.1	160.9	1	\$20.65
MOR-149.5X8.4	149.5	166.3	1	39.44
MOR-154.5X8.4	154.5	171.3	1	22.18
MOR-159.5X8.4	159.5	176.3	1	41.92
MOR-164.1X8.4	164.1	180.9	1	22.48
MOR-164.5X8.4	164.5	181.3	1	22.48
MOR-169.5X8.4	169.5	186.3	1	22.48
MOR-174.5X8.4	174.5	191.3	1	46.07
MOR-179.5X8.4	179.5	196.3	1	23.70
MOR-184.5X8.4	184.5	201.3	1	23.99
MOR-189.5X8.4	189.5	206.3	1	24.35
MOR-194.5X8.4	194.5	211.3	1	51.69
MOR-199.5X8.4	199.5	216.3	1	24.97
MOR-204.5X8.4	204.5	221.3	1	25.32
MOR-208.5X8.4	208.5	225.3	1	27.37
MOR-209.5X8.4	209.5	226.3	1	30.68
MOR-214.5X8.4	214.5	231.3	1	28.03
MOR-219.5X8.4	219.5	236.3	1	28.03
MOR-224.5X8.4	224.5	241.3	1	28.35
MOR-229.5X8.4	229.5	246.3	1	62.89
MOR-234.5X8.4	234.5	251.3	1	47.10

O-RINGS - 70 DURO NITRILE



O-RINGS

Part Number	A Nom. ID	B Nom. OD	Package Quantity	List Price
MOR-239.5X8.4	239.5	256.3	1	47.37
MOR-244.5X8.4	244.5	261.3	1	47.62
MOR-249.5X8.4	249.5	266.3	1	47.99
MOR-259.5X8.4	259.5	276.3	1	48.68
MOR-269.5X8.4	269.5	286.3	1	49.12
MOR-279.5X8.4	279.5	296.3	1	49.88
MOR-284.5X8.4	284.5	301.3	1	50.18
MOR-289.5X8.4	289.5	306.3	1	50.51
MOR-294.5X8.4	294.5	311.3	1	52.12
MOR-299.5X8.4	299.5	316.3	1	97.76
MOR-314.5X8.4	314.5	331.3	1	62.51
MOR-319.5X8.4	319.5	336.3	1	111.89
MOR-339.5X8.4	339.5	356.3	1	134.26
MOR-359.5X8.4	359.5	376.3	1	97.76
MOR-384.5X8.4	384.5	401.3	1	106.60
MOR-399.5X8.4	399.5	416.3	1	114.76
10mm C/S				
MOR-78X10	78	98	1	\$7.05
MOR-145X10	145	165	1	40.06
12mm C/S				
MOR-130X12	130	154	1	\$18.66

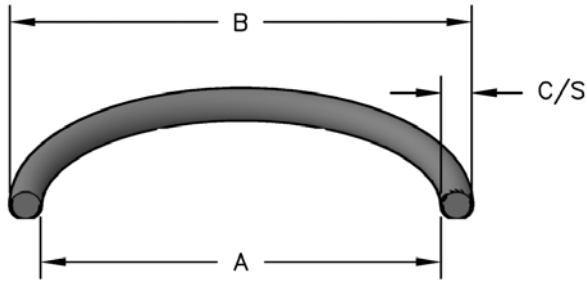


Hercules Offers a Complete Line of Cylinder Repair Parts for Mobile and Industrial Applications.

Stock Includes Cylinder Glands, Caps, Heads and Pistons.

View the Complete Product Line at www.HerculesUS.com.

O-RINGS - 90 DURO NITRILE



HERCULES PART NUMBERS

MOR - 5 X 1.5 - 90D
 Type of Seal: MOR, Inside Diameter: 5, Cross Section: 1.5, Suffix: 90D

SEAL INFORMATION

MATERIAL	90A DURO NITRILE
TEMPERATURE RANGE	-40° TO +220° F
SPEED	3 FT/SEC

O-RINGS

Part Number	A Nom. ID	B Nom. OD	Package Quantity	List Price
1.5mm C/S				
MOR-5X1.5-90D	5	8	50	\$0.37
MOR-13X1.5-90D	13	16	50	0.39
MOR-16X1.5-90D	16	19	50	0.43
MOR-80X1.5-90D	80	83	10	0.71
1.6mm C/S				
MOR-2.2X1.6-90D	2.2	5.4	25	\$0.67
MOR-3.1X1.6-90D	3.1	6.3	25	0.67
MOR-4.1X1.6-90D	4.1	7.3	25	0.71
MOR-7.1X1.6-90D	7.1	10.3	20	0.78
MOR-9.1X1.6-90D	9.1	12.3	20	0.81
MOR-10.1X1.6-90D	10.1	13.3	20	0.81
MOR-13.1X1.6-90D	13.1	16.3	20	0.93
MOR-22.1X1.6-90D	22.1	25.3	20	1.28
1.8mm C/S				
MOR-8.8X1.8-90D	8.8	12.4	50	\$0.87
MOR-13.3X1.8-90D	13.3	16.9	2	5.95
MOR-74X1.8-90D	74	77.6	5	4.31
1.9mm C/S				
MOR-2.8X1.9-90D	2.8	6.6	100	\$0.13
MOR-3.8X1.9-90D	3.8	7.6	100	0.13
MOR-4.8X1.9-90D	4.8	8.6	100	0.20
MOR-5.8X1.9-90D	5.8	9.6	100	0.20
MOR-6.8X1.9-90D	6.8	10.6	50	0.39
MOR-7.8X1.9-90D	7.8	11.6	50	0.41
MOR-8.7X1.9-90D	8.7	12.5	10	14.90
MOR-8.8X1.9-90D	8.8	12.6	50	0.41
MOR-9.8X1.9-90D	9.8	13.6	50	0.43
2mm C/S				
MOR-4X2-90D	4	8	100	\$0.21
MOR-6X2-90D	6	10	50	0.33
MOR-8X2-90D	8	12	50	0.33
MOR-9X2-90D	9	13	50	0.33
MOR-10X2-90D	10	14	50	0.37
MOR-11X2-90D	11	15	50	0.88
MOR-12X2-90D	12	16	50	0.37
MOR-14X2-90D	14	18	50	0.37
MOR-16X2-90D	16	20	50	0.39
MOR-17X2-90D	17	21	10	2.42
MOR-17.5X2-90D	17.5	21.5	2	4.82
MOR-19X2-90D	19	23	50	0.47
MOR-20X2-90D	20	24	25	0.57

Part Number	A Nom. ID	B Nom. OD	Package Quantity	List Price
MOR-28X2-90D	28	32	20	0.97
MOR-43.7X2-90D	43.7	47.7	20	7.40
MOR-86X2-90D	86	90	5	2.68
2.1mm C/S				
MOR-13.4X2.1-90D	13.4	17.6	50	\$0.29
MOR-17.4X2.1-90D	17.4	21.6	20	1.82
2.4mm C/S				
MOR-4.3X2.4-90D	4.3	9.1	50	\$0.51
MOR-5.3X2.4-90D	5.3	10.1	50	0.51
MOR-5.6X2.4-90D	5.6	10.4	50	0.51
MOR-7.3X2.4-90D	7.3	12.1	25	0.57
MOR-7.6X2.4-90D	7.6	12.4	25	0.58
MOR-8.3X2.4-90D	8.3	13.1	20	0.71
MOR-8.6X2.4-90D	8.6	13.4	20	0.78
MOR-9.8X2.4-90D	9.8	14.6	25	0.67
MOR-10.8X2.4-90D	10.8	15.6	25	0.68
MOR-11X2.4-90D	11	15.8	25	0.68
MOR-11.6X2.4-90D	11.6	16.4	20	0.60
MOR-11.8X2.4-90D	11.8	16.6	25	0.68
MOR-12.3X2.4-90D	12.3	17.1	20	0.93
MOR-12.8X2.4-90D	12.8	17.6	25	0.68
MOR-13.8X2.4-90D	13.8	18.6	20	0.97
MOR-14.3X2.4-90D	14.3	19.1	20	0.93
MOR-14.8X2.4-90D	14.8	19.6	20	0.94
MOR-15.3X2.4-90D	15.3	20.1	20	0.94
MOR-15.8X2.4-90D	15.8	20.6	20	0.94
MOR-16.3X2.4-90D	16.3	21.1	20	1.84
MOR-16.8X2.4-90D	16.8	21.6	20	0.97
MOR-17.8X2.4-90D	17.8	22.6	20	0.97
MOR-18.8X2.4-90D	18.8	23.6	20	0.97
MOR-19.8X2.4-90D	19.8	24.6	20	1.27
MOR-20.8X2.4-90D	20.8	25.6	20	1.27
MOR-21.8X2.4-90D	21.8	26.6	20	1.30
2.5mm C/S				
MOR-10X2.5-90D	10	15	50	\$0.37
MOR-11X2.5-90D	11	16	10	1.98
MOR-13X2.5-90D	13	18	50	0.41
MOR-14X2.5-90D	14	19	50	1.23
MOR-15X2.5-90D	15	20	25	0.58
MOR-17X2.5-90D	17	22	25	0.67
MOR-18X2.5-90D	18	23	25	0.68
MOR-19X2.5-90D	19	24	25	0.71
MOR-24X2.5-90D	24	29	20	1.68

O-RINGS - 90 DURO NITRILE



O-RINGS

Part Number	A Nom. ID	B Nom. OD	Package Quantity	List Price
MOR-29X2.5-90D	29	34	50	0.28
MOR-35X2.5-90D	35	40	10	2.41
2.6mm C/S				
MOR-14.1X2.6-90D	14.1	19.3	5	\$6.95
MOR-144.1X2.6-90D	144.1	149.3	4	4.91
2.65mm C/S				
MOR-14.8X2.65-90D	14.8	20.1	5	\$6.95
3mm C/S				
MOR-9X3-90D	9	15	50	\$0.39
MOR-10X3-90D	10	16	50	0.39
MOR-11X3-90D	11	17	50	0.39
MOR-17X3-90D	17	23	20	1.33
MOR-18X3-90D	18	24	10	1.44
MOR-19.2X3-90D	19.2	25.2	10	1.88
MOR-20X3-90D	20	26	10	10.90
MOR-22.2X3-90D	22.2	28.2	10	2.04
MOR-23X3-90D	23	29	10	2.10
MOR-26.2X3-90D	26.2	32.2	10	2.40
MOR-27X3-90D	27	33	10	2.55
MOR-34X3-90D	34	40	10	2.71
MOR-39.2X3-90D	39.2	45.2	5	3.00
MOR-42.2X3-90D	42.2	48.2	5	3.37
MOR-44.2X3-90D	44.2	50.2	5	3.42
MOR-45X3-90D	45	51	5	3.42
MOR-50X3-90D	50	56	5	3.82
MOR-56X3-90D	56	62	5	4.07
MOR-57X3-90D	57	63	5	4.19
MOR-59.5X3-90D	59.5	65.5	20	1.84
MOR-60X3-90D	60	66	5	4.28
MOR-62X3-90D	62	68	5	6.77
MOR-64.5X3-90D	64.5	70.5	5	4.39
MOR-70X3-90D	70	76	5	1.88
MOR-84X3-90D	84	90	1	14.21
MOR-92X3-90D	92	98	5	5.55
MOR-94X3-90D	94	100	5	15.66
MOR-94.3X3-90D	94.3	100.3	5	4.49
MOR-98X3-90D	98	104	5	4.64
MOR-105X3-90D	105	111	1	5.72
MOR-135X3-90D	135	141	1	5.12
MOR-144.5X3-90D	144.5	150.5	1	8.43
3.1mm C/S				
MOR-24.4X3.1-90D	24.4	30.6	25	\$0.67
MOR-29.4X3.1-90D	29.4	35.6	20	0.91
MOR-34.4X3.1-90D	34.4	40.6	20	1.11
MOR-39.4X3.1-90D	39.4	45.6	20	1.23
MOR-44.4X3.1-90D	44.4	50.6	10	2.45
MOR-49.4X3.1-90D	49.4	55.6	10	2.60
MOR-54.4X3.1-90D	54.4	60.6	10	2.70
MOR-59.4X3.1-90D	59.4	65.6	5	3.10
MOR-62.4X3.1-90D	62.4	68.6	10	9.31
MOR-64.4X3.1-90D	64.4	70.6	5	3.08
MOR-69.4X3.1-90D	69.4	75.6	5	3.11
MOR-73.6X3.1-90D	73.6	79.8	5	5.41
MOR-74.4X3.1-90D	74.4	80.6	5	3.07
MOR-79.4X3.1-90D	79.4	85.6	5	3.78
MOR-84.4X3.1-90D	84.4	90.6	5	3.89

Part Number	A Nom. ID	B Nom. OD	Package Quantity	List Price
MOR-89.4X3.1-90D	89.4	95.6	5	3.94
MOR-94.4X3.1-90D	94.4	100.6	5	4.02
MOR-99.4X3.1-90D	99.4	105.6	5	4.39
MOR-104.4X3.1-90D	104.4	110.6	5	4.48
MOR-109.4X3.1-90D	109.4	115.6	5	4.54
MOR-114.4X3.1-90D	114.4	120.6	5	4.62
MOR-119.4X3.1-90D	119.4	125.6	5	5.02
MOR-123.4X3.1-90D	123.4	129.6	2	8.60
MOR-124.4X3.1-90D	124.4	130.6	5	5.09
MOR-129.4X3.1-90D	129.4	135.6	5	5.12
MOR-134.4X3.1-90D	134.4	140.6	2	6.00
MOR-139.4X3.1-90D	139.4	145.6	2	10.74
MOR-143.1X3.1-90D	143.1	149.3	2	13.63
MOR-144.4X3.1-90D	144.4	150.6	2	6.16
3.4mm C/S				
MOR-20.7X3.4-90D	20.7	27.5	20	\$1.11
3.5mm C/S				
MOR-21.7X3.5-90D	21.7	28.7	20	\$0.78
MOR-22.1X3.5-90D	22.1	29.1	20	0.94
MOR-23.7X3.5-90D	23.7	30.7	20	1.23
MOR-24.7X3.5-90D	24.7	31.7	20	1.23
MOR-25.2X3.5-90D	25.2	32.2	20	0.94
MOR-25.7X3.5-90D	25.7	32.7	10	1.60
MOR-27.7X3.5-90D	27.7	34.7	10	1.70
MOR-28.7X3.5-90D	28.7	35.7	10	2.03
MOR-29X3.5-90D	29	36	1	4.84
MOR-29.2X3.5-90D	29.2	36.2	20	1.03
MOR-29.7X3.5-90D	29.7	36.7	10	2.04
MOR-30.7X3.5-90D	30.7	37.7	10	2.10
MOR-31.2X3.5-90D	31.2	38.2	20	1.07
MOR-31.7X3.5-90D	31.7	38.7	10	2.13
MOR-33.7X3.5-90D	33.7	40.7	10	2.25
MOR-34.7X3.5-90D	34.7	41.7	10	2.25
MOR-35.2X3.5-90D	35.2	42.2	20	1.33
MOR-35.7X3.5-90D	35.7	42.7	10	2.28
MOR-37.7X3.5-90D	37.7	44.7	10	2.38
MOR-38.7X3.5-90D	38.7	45.7	10	2.40
MOR-39.7X3.5-90D	39.7	46.7	10	2.41
MOR-40.7X3.5-90D	40.7	47.7	10	2.45
MOR-41.7X3.5-90D	41.7	48.7	10	2.55
MOR-43X3.5-90D	43	50	5	4.32
MOR-43.7X3.5-90D	43.7	50.7	5	2.74
MOR-44.7X3.5-90D	44.7	51.7	5	2.74
MOR-45.7X3.5-90D	45.7	52.7	5	2.78
MOR-47.7X3.5-90D	47.7	54.7	5	3.57
MOR-48.7X3.5-90D	48.7	55.7	5	3.65
MOR-49X3.5-90D	49	56	10	7.42
MOR-49.7X3.5-90D	49.7	56.7	5	3.67
MOR-59X3.5-90D	59	66	5	8.36
MOR-67X3.5-90D	67	74	10	3.96
MOR-68.5X3.5-90D	68.5	75.5	10	1.00
MOR-73X3.5-90D	73	80	5	6.90
3.53mm C/S				
MOR-65.09X3.53-90D	65.09	72.15	1	\$6.66
4mm C/S				
MOR-32X4-90D	32	40	20	\$0.49

O-RINGS - 90 DURO NITRILE

O-RINGS

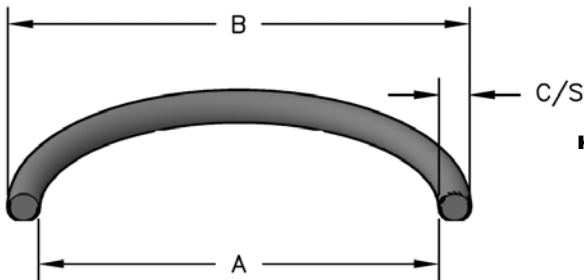
Part Number	A Nom. ID	B Nom. OD	Package Quantity	List Price
MOR-56X4-90D	56	64	1	4.88
MOR-62X4-90D	62	70	5	2.78
MOR-66X4-90D	66	74	1	11.96
MOR-72X4-90D	72	80	1	7.06
MOR-75X4-90D	75	83	10	2.17
MOR-100X4-90D	100	108	1	7.49
MOR-115X4-90D	115	123	1	10.38
4.5mm C/S				
MOR-80X4.5-90D	80	89	1	\$8.70
5mm C/S				
MOR-75X5-90D	75	85	2	\$8.40
MOR-85X5-90D	85	95	5	5.61
MOR-90X5-90D	90	100	1	3.61
MOR-110X5-90D	110	120	2	12.38
MOR-120X5-90D	120	130	1	11.87
MOR-130X5-90D	130	140	2	13.74
MOR-150X5-90D	150	160	1	19.10
MOR-152X5-90D	152	162	1	9.14
MOR-170X5-90D	170	180	1	18.70
MOR-190X5-90D	190	200	1	43.05
5.7mm C/S				
MOR-47.6X5.7-90D	47.6	59	5	\$3.91
MOR-49.6X5.7-90D	49.6	61	5	4.02
MOR-52.6X5.7-90D	52.6	64	5	4.19
MOR-54.6X5.7-90D	54.6	66	5	4.29
MOR-55.6X5.7-90D	55.6	67	5	4.31
MOR-57.6X5.7-90D	57.6	69	2	5.71
MOR-59.6X5.7-90D	59.6	71	2	5.73
MOR-62.6X5.7-90D	62.6	74	2	8.03
MOR-64.6X5.7-90D	64.6	76	2	7.23
MOR-66.6X5.7-90D	66.6	78	2	7.36
MOR-67.6X5.7-90D	67.6	79	2	6.83
MOR-69.6X5.7-90D	69.6	81	2	7.55
MOR-70.6X5.7-90D	70.6	82	2	7.59
MOR-74.6X5.7-90D	74.6	86	2	7.80
MOR-79.6X5.7-90D	79.6	91	2	8.09
MOR-84.6X5.7-90D	84.6	96	2	8.27
MOR-89.6X5.7-90D	89.6	101	2	9.39
MOR-92.2X5.7-90D	92.2	103.6	2	12.17
MOR-94.6X5.7-90D	94.6	106	2	10.97
MOR-99.6X5.7-90D	99.6	111	2	11.20
MOR-101.6X5.7-90D	101.6	113	2	11.31
MOR-104.6X5.7-90D	104.6	116	2	11.42
MOR-109.6X5.7-90D	109.6	121	2	11.64
MOR-111.6X5.7-90D	111.6	123	2	11.74
MOR-114.6X5.7-90D	114.6	126	2	11.90
MOR-118.6X5.7-90D	118.6	130	2	11.08
MOR-119.6X5.7-90D	119.6	131	2	12.11
MOR-124.6X5.7-90D	124.6	136	2	12.11
MOR-129.6X5.7-90D	129.6	141	2	12.11
MOR-131.6X5.7-90D	131.6	143	2	12.17
MOR-134.6X5.7-90D	134.6	146	2	12.28
MOR-139.6X5.7-90D	139.6	151	2	12.38
MOR-140.4X5.7-90D	140.4	151.8	1	10.87
MOR-144.6X5.7-90D	144.6	156	2	12.62
MOR-149.3X5.7-90D	149.3	160.7	2	13.15
MOR-149.6X5.7-90D	149.6	161	2	15.46

Part Number	A Nom. ID	B Nom. OD	Package Quantity	List Price
MOR-154.3X5.7-90D	154.3	165.7	2	15.65
MOR-159.3X5.7-90D	159.3	170.7	2	16.33
MOR-164.3X5.7-90D	164.3	175.7	1	19.77
MOR-169.3X5.7-90D	169.3	180.7	1	19.95
MOR-174.3X5.7-90D	174.3	185.7	1	20.31
MOR-179.3X5.7-90D	179.3	190.7	1	22.66
MOR-184.3X5.7-90D	184.3	195.7	1	22.93
MOR-189.3X5.7-90D	189.3	200.7	1	23.15
MOR-194.3X5.7-90D	194.3	205.7	1	23.45
MOR-199.3X5.7-90D	199.3	210.7	1	30.17
MOR-204.3X5.7-90D	204.3	215.7	1	31.85
MOR-209.3X5.7-90D	209.3	220.7	1	35.80
MOR-214.3X5.7-90D	214.3	225.7	1	37.34
MOR-219.3X5.7-90D	219.3	230.7	1	42.53
MOR-229.3X5.7-90D	229.3	240.7	1	44.06
MOR-239.3X5.7-90D	239.3	250.7	1	46.80
MOR-259.3X5.7-90D	259.3	270.7	1	54.58
MOR-269.3X5.7-90D	269.3	280.7	1	55.01
MOR-274.3X5.7-90D	274.3	285.7	1	55.07
MOR-279.3X5.7-90D	279.3	290.7	1	57.84
MOR-289.3X5.7-90D	289.3	300.7	1	68.25
6mm C/S				
MOR-155X6-90D	155	167	1	\$23.98
MOR-175X6-90D	175	187	1	27.97
6.25mm C/S				
MOR-195.8X6.25-90D	195.8	208.3	1	\$25.47
6.99mm C/S				
MOR-221.66X6.99-90D	221.66	235.64	1	\$18.03
8.4mm C/S				
MOR-149.5X8.4-90D	149.5	166.3	1	\$43.35
MOR-154.5X8.4-90D	154.5	171.3	1	27.86
MOR-159.5X8.4-90D	159.5	176.3	1	30.79
MOR-164.5X8.4-90D	164.5	181.3	1	31.21
MOR-169.5X8.4-90D	169.5	186.3	1	31.62
MOR-174.5X8.4-90D	174.5	191.3	1	32.06
MOR-179.5X8.4-90D	179.5	196.3	1	34.76
MOR-184.5X8.4-90D	184.5	201.3	1	36.21
MOR-189.5X8.4-90D	189.5	206.3	1	36.70
MOR-194.5X8.4-90D	194.5	211.3	1	37.14
MOR-199.5X8.4-90D	199.5	216.3	1	37.65
MOR-208.5X8.4-90D	208.5	225.3	1	45.80
MOR-209.5X8.4-90D	209.5	226.3	1	45.98
MOR-214.5X8.4-90D	214.5	231.3	1	47.68
MOR-219.5X8.4-90D	219.5	236.3	1	54.44
MOR-234.5X8.4-90D	234.5	251.3	1	70.94
MOR-244.5X8.4-90D	244.5	261.3	1	69.55
MOR-264.5X8.4-90D	264.5	281.3	1	109.41
MOR-299.5X8.4-90D	299.5	316.3	1	144.64
MOR-374.5X8.4-90D	374.5	391.3	1	203.79

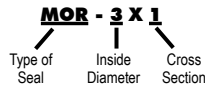
O-RINGS - 75 DURO FLUOROCARBON



Please specify 75 or 90 Durometer when ordering. Metric o-rings are offered in minimum package quantities (MP in chart).



HERCULES PART NUMBERS



SEAL INFORMATION

MATERIAL	75A DURO FLUOROCARBON
TEMPERATURE RANGE	-20° TO +400° F
SPEED	3 FT/SEC

Part Number	A Nom. ID	B Nom. OD	Package Quantity	List Price
1mm C/S				
MOR-3X1V	3	5	20	\$0.64
MOR-4X1V	4	6	10	2.13
MOR-6X1V	6	8	20	0.88
1.5mm C/S				
MOR-4X1.5V	4	7	20	\$0.27
MOR-5X1.5V	5	8	20	0.88
MOR-7X1.5V	7	10	15	1.16
MOR-11X1.5V	11	14	10	1.48
MOR-12X1.5V	12	15	10	1.55
MOR-13X1.5V	13	16	10	1.77
MOR-16X1.5V	16	19	10	0.86
MOR-17X1.5V	17	20	1	3.24
1.6mm C/S				
MOR-3.1X1.6V	3.1	6.3	20	\$0.84
MOR-4.1X1.6V	4.1	7.3	20	0.86
MOR-7.1X1.6V	7.1	10.3	10	1.18
MOR-9.1X1.6V	9.1	12.3	10	1.27
MOR-13.1X1.6V	13.1	16.3	10	1.78
1.78mm C/S				
MOR-11.6X1.78-90DV	11.6	15.16	15	\$1.18
1.9mm C/S				
MOR-4.8X1.9V	4.8	8.6	15	\$0.97
MOR-5.8X1.9V	5.8	9.6	15	1.13
MOR-6.8X1.9V	6.8	10.6	10	1.36
MOR-7.8X1.9V	7.8	11.6	10	1.44
MOR-8.8X1.9V	8.8	12.6	10	1.45
MOR-9.8X1.9V	9.8	13.6	10	1.97
2mm C/S				
MOR-3X2V	3	7	10	\$1.27
MOR-4X2V	4	8	10	1.28
MOR-5X2V	5	9	10	1.36
MOR-6X2V	6	10	10	1.44
MOR-7X2V	7	11	10	1.55
MOR-8X2V	8	12	10	1.63
MOR-9X2V	9	13	10	1.77
MOR-9.6X2-90DV	9.6	13.6	5	2.84
MOR-10X2V	10	14	10	1.85
MOR-11X2V	11	15	10	1.90
MOR-12X2V	12	16	10	2.07
MOR-13X2V	13	17	10	2.21
MOR-14X2V	14	18	5	2.30

Part Number	A Nom. ID	B Nom. OD	Package Quantity	List Price
MOR-15X2V	15	19	5	2.42
MOR-16X2V	16	20	5	2.48
MOR-17X2V	17	21	5	2.58
MOR-18X2V	18	22	5	2.72
MOR-19X2V	19	23	5	2.77
MOR-20X2V	20	24	5	2.88
MOR-22X2V	22	26	5	3.10
MOR-23.5X2V	23.5	27.5	5	3.19
MOR-25X2V	25	29	5	3.25
MOR-26X2V	26	30	5	3.41
MOR-27X2V	27	31	5	3.55
MOR-30X2V	30	34	5	4.72
MOR-32X2V	32	36	5	4.22
MOR-35X2V	35	39	5	4.81
MOR-37.5X2V	37.5	41.5	5	4.96
MOR-39.5X2V	39.5	43.5	2	5.36
MOR-44X2V	44	48	2	5.69
MOR-50X2V	50	54	2	6.63
MOR-55X2V	55	59	2	7.05
MOR-56X2V	56	60	5	2.45
MOR-76X2V	76	80	5	2.59
2.4mm C/S				
MOR-7.6X2.4V	7.6	12.4	10	\$1.90
MOR-8.3X2.4V	8.3	13.1	10	1.95
MOR-8.6X2.4V	8.6	13.4	10	2.03
MOR-9.8X2.4V	9.8	14.6	5	2.35
MOR-10.8X2.4V	10.8	15.6	5	2.47
MOR-11.3X2.4V	11.3	16.1	5	2.35
MOR-11.8X2.4V	11.8	16.6	5	2.68
MOR-12.3X2.4V	12.3	17.1	5	2.51
MOR-13.3X2.4V	13.3	18.1	5	2.60
MOR-13.8X2.4V	13.8	18.6	5	2.88
MOR-14.8X2.4V	14.8	19.6	5	3.04
MOR-15.8X2.4V	15.8	20.6	5	3.12
MOR-17.3X2.4V	17.3	22.1	5	3.05
MOR-17.8X2.4V	17.8	22.6	5	3.39
MOR-19.8X2.4V	19.8	24.6	5	3.64
MOR-20.8X2.4V	20.8	25.6	5	3.78
MOR-21.8X2.4V	21.8	26.6	5	3.98
MOR-39.6X2.4V	39.6	44.4	2	6.33
2.5mm C/S				
MOR-7X2.5V	7	12	10	\$1.90
MOR-10X2.5V	10	15	5	2.30

O-RINGS

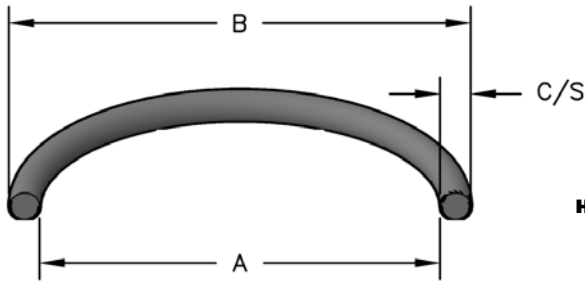
O-RINGS - 75 DURO FLUOROCARBON

O-RINGS

Part Number	A Nom. ID	B Nom. OD	Package Quantity	List Price
MOR-11X2.5V	11	16	5	2.45
MOR-12X2.5V	12	17	5	2.60
MOR-13X2.5V	13	18	5	2.62
MOR-14X2.5V	14	19	5	2.77
MOR-15X2.5V	15	20	5	2.88
MOR-16X2.5V	16	21	5	3.04
MOR-17X2.5V	17	22	4	3.10
MOR-18X2.5V	18	23	5	3.22
MOR-19X2.5V	19	24	5	3.27
MOR-20X2.5V	20	25	5	3.35
MOR-22X2.5V	22	27	5	3.81
MOR-23X2.5V	23	28	5	3.84
MOR-28X2.5V	28	33	5	4.42
MOR-35X2.5V	35	40	2	5.89
MOR-59X2.5V	59	64	1	26.88
3mm C/S				
MOR-9X3V	9	15	5	\$2.77
MOR-10X3V	10	16	5	2.92
MOR-11X3V	11	17	5	3.11
MOR-13X3V	13	19	5	3.27
MOR-15X3V	15	21	5	3.39
MOR-16X3V	16	22	5	3.39
MOR-17X3V	17	23	5	3.49
MOR-19X3V	19	25	5	3.81
MOR-20X3V	20	26	5	3.89
MOR-22X3V	22	28	5	4.24
MOR-25X3V	25	31	5	4.69
MOR-26X3V	26	32	5	4.81
MOR-27X3V	27	33	5	5.02
MOR-28X3V	28	34	2	5.28
MOR-29X3V	29	35	2	5.38
MOR-30X3V	30	36	2	5.39
MOR-32X3V	32	38	2	5.89
MOR-33X3V	33	39	2	6.05
MOR-34X3V	34	40	2	6.32
MOR-35X3V	35	41	2	6.65
MOR-36X3V	36	42	2	6.79
MOR-38X3V	38	44	2	7.17
MOR-39X3V	39	45	2	7.26
MOR-42.2X3V	42.2	48.2	2	7.87
MOR-46X3V	46	52	1	8.47
MOR-48X3V	48	54	2	8.47
MOR-49.5X3V	49.5	55.5	2	8.73
MOR-50X3-90DV	50	56	1	14.55
MOR-52X3V	52	58	2	9.09
MOR-57X3V	57	63	1	9.50
MOR-60X3V	60	66	1	10.06
MOR-62X3V	62	68	1	10.37
MOR-64X3V	64	70	1	10.58
MOR-65X3V	65	71	1	10.74
MOR-68X3V	68	74	1	11.24
MOR-72X3V	72	78	1	12.38
MOR-74X3V	74	80	1	12.65
MOR-78X3V	78	84	1	13.59
MOR-79X3-90DV	79	85	1	23.29
MOR-95X3V	95	101	1	17.90
3.1mm C/S				

Part Number	A Nom. ID	B Nom. OD	Package Quantity	List Price
MOR-24.4X3.1V	24.4	30.6	2	\$6.18
MOR-29.4X3.1V	29.4	35.6	2	7.27
MOR-39.4X3.1V	39.4	45.6	2	9.36
MOR-44.4X3.1V	44.4	50.6	1	10.98
MOR-49.4X3.1V	49.4	55.6	1	11.54
MOR-54.4X3.1V	54.4	60.6	1	13.22
MOR-59.4X3.1V	59.4	65.6	1	13.55
MOR-64.4X3.1V	64.4	70.6	1	15.76
MOR-69.4X3.1V	69.4	75.6	1	15.76
MOR-74.4X3.1V	74.4	80.6	1	16.79
MOR-79.4X3.1V	79.4	85.6	1	17.89
MOR-84.4X3.1V	84.4	90.6	1	19.07
MOR-89.4X3.1V	89.4	95.6	1	20.01
MOR-94.4X3.1V	94.4	100.6	1	21.08
MOR-99.4X3.1V	99.4	105.6	1	22.18
MOR-104.4X3.1V	104.4	110.6	1	23.28
MOR-109.4X3.1V	109.4	115.6	1	54.04
MOR-114.4X3.1V	114.4	120.6	1	25.42
MOR-119.4X3.1V	119.4	125.6	1	26.47
MOR-124.4X3.1V	124.4	130.6	1	27.51
MOR-164.4X3.1V	164.4	170.6	1	36.90
MOR-169.4X3.1V	169.4	175.6	1	41.46
3.5mm C/S				
MOR-22X3.5V	22	29	1	\$10.78
MOR-36X3.5-90DV	36	43	5	4.41
4mm C/S				
MOR-38X4V	38	46	1	\$10.17
MOR-41X4V	41	49	2	10.87
MOR-44X4V	44	52	1	11.62
MOR-48X4V	48	56	1	12.62
MOR-72X4V	72	80	1	19.07
MOR-124X4V	124	132	1	38.74
5mm C/S				
MOR-68X5V	68	78	1	\$14.47
5.7mm C/S				
MOR-52.6X5.7V	52.6	64	1	\$23.33
MOR-59.6X5.7V	59.6	71	1	30.02
MOR-69.6X5.7V	69.6	81	1	30.87
MOR-79.6X5.7V	79.6	91	1	34.53
MOR-84.6X5.7V	84.6	96	1	36.47
MOR-99.6X5.7V	99.6	111	1	41.15
MOR-114.6X5.7V	114.6	126	1	49.62
MOR-119.6X5.7V	119.6	131	1	48.74
MOR-129.6X5.7V	129.6	141	1	55.21
MOR-139.6X5.7V	139.6	151	1	59.21
MOR-189.3X5.7-90DV-BLACK	189.3	200.7	1	13.59
MOR-189.3X5.7V	189.3	200.7	1	91.53

O-RINGS - 70 DUROMETER MOR-JIS STYLE



HERCULES PART NUMBERS

MOR-JIS - G025
 Type of Seal JIS Standard Number

SEAL INFORMATION

MATERIAL	70A DURO NITRILE
TEMPERATURE RANGE	-40° TO +220° F
SPEED	3 FT/SEC

Part Number	A Nom. ID	B Nom. OD	Package Quantity	List Price
1.9mm C/S				
MOR-JIS-P003	2.8	6.6	100	\$0.12
MOR-JIS-P004	3.8	7.6	100	0.12
MOR-JIS-P005	4.8	8.6	100	0.12
MOR-JIS-P006	5.8	9.6	100	0.12
MOR-JIS-P007	6.8	10.6	100	0.17
MOR-JIS-P008	7.8	11.6	100	0.17
MOR-JIS-P009	8.8	12.6	100	0.17
MOR-JIS-P010	9.8	13.6	100	0.17
2.4mm C/S				
MOR-JIS-P010A	9.8	14.6	100	\$0.08
MOR-JIS-P011	10.8	15.6	100	0.12
MOR-JIS-P011.2	11	15.8	100	0.12
MOR-JIS-P012	11.8	16.6	100	0.80
MOR-JIS-P012.5	12.3	17.1	20	0.83
MOR-JIS-P014	13.8	18.6	100	0.36
MOR-JIS-P015	14.8	19.6	100	1.12
MOR-JIS-P016	15.8	20.6	100	0.17
MOR-JIS-P018	17.8	22.6	100	0.17
MOR-JIS-P020	19.8	24.6	100	1.40
MOR-JIS-P021	20.8	25.6	100	0.18
MOR-JIS-P022	21.8	26.6	100	0.19
3.1mm C/S				
MOR-JIS-G025	24.4	30.6	25	\$0.53
MOR-JIS-G030	29.4	35.6	20	0.69
MOR-JIS-G035	34.4	40.6	20	0.91
MOR-JIS-G040	39.4	45.6	20	0.97
MOR-JIS-G045	44.4	50.6	10	3.46
MOR-JIS-G050	49.4	55.6	10	4.65
MOR-JIS-G055	54.4	60.6	10	1.47
MOR-JIS-G060	59.4	65.6	10	1.68
MOR-JIS-G065	64.4	70.6	10	1.77
MOR-JIS-G070	69.4	75.6	10	2.13
MOR-JIS-G075	74.4	80.6	5	2.56
MOR-JIS-G080	79.4	85.6	5	2.59
MOR-JIS-G085	84.4	90.6	5	9.19
MOR-JIS-G090	89.4	95.6	5	2.66
MOR-JIS-G095	94.4	100.6	5	3.46
MOR-JIS-G100	99.4	105.6	5	2.99
MOR-JIS-G105	104.4	110.6	5	3.03
MOR-JIS-G110	109.4	115.6	5	4.00
MOR-JIS-G115	114.4	120.6	5	3.95
MOR-JIS-G120	119.4	125.6	5	4.11

Part Number	A Nom. ID	B Nom. OD	Package Quantity	List Price
MOR-JIS-G125	124.4	130.6	5	14.07
MOR-JIS-G130	129.4	135.6	5	4.22
MOR-JIS-G135	134.4	140.6	2	2.53
MOR-JIS-G140	139.4	145.6	2	3.06
MOR-JIS-G145	144.4	150.6	2	5.07
3.5mm C/S				
MOR-JIS-P022A	21.7	28.7	25	\$0.50
MOR-JIS-P022.4	22.1	29.1	25	1.70
MOR-JIS-P024	23.7	30.7	25	1.80
MOR-JIS-P025	24.7	31.7	25	0.53
MOR-JIS-P025.5	25.2	32.2	25	1.98
MOR-JIS-P026	25.7	32.7	25	0.66
MOR-JIS-P028	27.7	34.7	20	0.69
MOR-JIS-P029	28.7	35.7	20	0.69
MOR-JIS-P029.5	29.2	36.2	20	2.26
MOR-JIS-P030	29.7	36.7	20	0.69
MOR-JIS-P031	30.7	37.7	20	0.71
MOR-JIS-P031.5	31.2	38.2	20	0.71
MOR-JIS-P032	31.7	38.7	20	0.71
MOR-JIS-P034	33.7	40.7	20	0.87
MOR-JIS-P035	34.7	41.7	20	3.03
MOR-JIS-P035.5	35.2	42.2	20	3.19
MOR-JIS-P036	35.7	42.7	20	3.46
MOR-JIS-P038	37.7	44.7	20	0.93
MOR-JIS-P039	38.7	45.7	20	0.93
MOR-JIS-P040	39.7	46.7	20	1.15
MOR-JIS-P041	40.7	47.7	20	1.15
MOR-JIS-P042	41.7	48.7	20	0.97
MOR-JIS-P044	43.7	50.7	10	1.26
MOR-JIS-P045	44.7	51.7	10	1.27
MOR-JIS-P046	45.7	52.7	10	1.27
MOR-JIS-P048	47.7	54.7	10	1.32
MOR-JIS-P049	48.7	55.7	10	1.32
MOR-JIS-P050	49.7	56.7	10	1.36
4mm C/S				
MOR-JIS-V015	14.5	22.5	6	\$2.58
MOR-JIS-V024	23.5	31.5	25	0.50
MOR-JIS-V085	84	92	5	2.60
MOR-JIS-V120	119	127	5	3.49
5.7mm C/S				
MOR-JIS-P048A	47.6	59	5	\$3.35
MOR-JIS-P050A	49.6	61	5	3.43
MOR-JIS-P053	52.6	64	5	3.53

Seal color may vary. Special order sizes are available. Sizes not shown and out of stock items can also be ordered for next day delivery through Seals On Demand, our custom seal program. Please call your regional sales team for assistance.

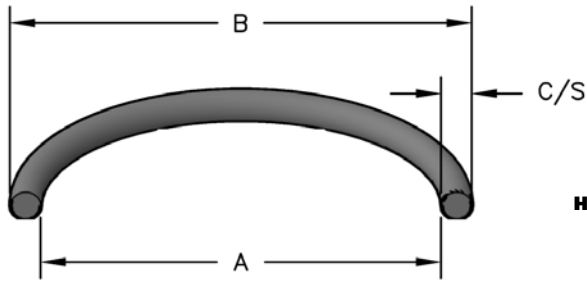
O-RINGS - 70 DUROMETER MOR-JIS STYLE

O-RINGS

Part Number	A Nom. ID	B Nom. OD	Package Quantity	List Price
MOR-JIS-P055	54.6	66	5	3.61
MOR-JIS-P056	55.6	67	5	3.74
MOR-JIS-P058	57.6	69	5	4.87
MOR-JIS-P060	59.6	71	2	4.92
MOR-JIS-P062	61.6	73	2	6.05
MOR-JIS-P065	64.6	76	2	6.27
MOR-JIS-P067	66.6	78	2	6.36
MOR-JIS-P070	69.6	81	2	6.29
MOR-JIS-P071	70.6	82	2	6.44
MOR-JIS-P075	74.6	86	2	6.72
MOR-JIS-P080	79.6	91	2	6.87
MOR-JIS-P085	84.6	96	2	7.13
MOR-JIS-P090	89.6	101	2	7.27
MOR-JIS-P095	94.6	106	2	7.53
MOR-JIS-P100	99.6	111	2	7.67
MOR-JIS-P105	104.6	116	2	9.80
MOR-JIS-P110	109.6	121	2	9.97
MOR-JIS-P112	111.6	123	2	10.05
MOR-JIS-P115	114.6	126	2	10.15
MOR-JIS-P120	119.6	131	2	10.34
MOR-JIS-P125	124.6	136	2	10.50
MOR-JIS-P130	129.6	141	2	10.57
MOR-JIS-P135	134.6	146	2	10.75
MOR-JIS-P140	139.6	151	2	10.88
MOR-JIS-P145	144.6	156	2	11.08
MOR-JIS-G150	149.3	160.7	2	8.25
MOR-JIS-P150	149.6	161	2	13.18
MOR-JIS-G155	154.3	165.7	2	8.36
MOR-JIS-G160	159.3	170.7	2	8.32
MOR-JIS-G165	164.3	175.7	2	8.41
MOR-JIS-G170	169.3	180.7	2	8.56
MOR-JIS-G175	174.3	185.7	2	11.54
MOR-JIS-G180	179.3	190.7	2	21.64
MOR-JIS-G185	184.3	195.7	2	11.78
MOR-JIS-G190	189.3	200.7	2	11.88
MOR-JIS-G195	194.3	205.7	2	12.01
MOR-JIS-G200	199.3	210.7	2	14.01
MOR-JIS-G210	209.3	220.7	2	14.26
MOR-JIS-G215	214.3	225.7	2	14.29
MOR-JIS-G220	219.3	230.7	2	14.55
MOR-JIS-G225	224.3	235.7	1	14.78
MOR-JIS-G230	229.3	240.7	1	14.78
MOR-JIS-G235	234.3	245.7	1	15.86
MOR-JIS-G240	239.3	250.7	1	16.15
MOR-JIS-G250	249.3	260.7	1	17.02
MOR-JIS-G260	259.3	270.7	1	18.65
MOR-JIS-G270	269.3	280.7	1	18.82
MOR-JIS-G290	289.3	300.7	1	21.01
MOR-JIS-G300	299.3	310.7	1	21.15
MOR-JIS-G310	309.3	320.7	1	24.76
MOR-JIS-G345	344.3	355.7	1	27.10
MOR-JIS-G360	359.3	370.7	1	28.72
MOR-JIS-G400	399.3	410.7	1	37.86
8.4mm C/S				
MOR-JIS-P150A	149.5	166.3	1	\$33.88
MOR-JIS-P155	154.5	171.3	1	19.05
MOR-JIS-P160	159.5	176.3	1	36.02

Part Number	A Nom. ID	B Nom. OD	Package Quantity	List Price
MOR-JIS-P165	164.5	181.3	1	19.32
MOR-JIS-P170	169.5	186.3	1	19.32
MOR-JIS-P175	174.5	191.3	1	39.59
MOR-JIS-P180	179.5	196.3	1	20.37
MOR-JIS-P185	184.5	201.3	1	20.62
MOR-JIS-P200	199.5	216.3	1	21.46
MOR-JIS-P205	204.5	221.3	1	21.75
MOR-JIS-P210	209.5	226.3	1	26.37
MOR-JIS-P220	219.5	236.3	1	24.08
MOR-JIS-P230	229.5	246.3	1	54.03
MOR-JIS-P235	234.5	251.3	1	40.48
MOR-JIS-P240	239.5	256.3	1	40.71
MOR-JIS-P250	249.5	266.3	1	41.25
MOR-JIS-P280	279.5	296.3	1	42.86
MOR-JIS-P285	284.5	301.3	1	43.11
MOR-JIS-P300	299.5	316.3	1	84.01
MOR-JIS-P315	314.5	331.3	1	53.71
MOR-JIS-P320	319.5	336.3	1	96.14
MOR-JIS-P335	334.5	351.3	1	79.98
MOR-JIS-P355	354.5	371.3	1	76.96
MOR-JIS-P360	359.5	376.3	1	84.01
MOR-JIS-P385	384.5	401.3	1	91.60

O-RINGS - 75 DURO FLUOROCARBON MOR-JIS STYLE



HERCULES PART NUMBERS

MOR-JIS - G025V

Type of Seal

JIS Standard Number

SEAL INFORMATION

MATERIAL	75A DURO FLUOROCARBON
TEMPERATURE RANGE	-20° TO +400° F
PRESSURE RANGE	3 FT/SEC

Part Number	A Nom. ID	B Nom. OD	Package Quantity	List Price
1.9mm C/S				
MOR-JIS-P005V	4.8	8.6	15	\$0.83
MOR-JIS-P006V	5.8	9.6	15	0.97
MOR-JIS-P007V	6.8	10.6	10	1.16
MOR-JIS-P008V	7.8	11.6	10	1.23
MOR-JIS-P009V	8.8	12.6	10	1.25
MOR-JIS-P010V	9.8	13.6	10	1.69
2.4mm C/S				
MOR-JIS-P011V	10.8	15.6	5	\$2.12
MOR-JIS-P012V	11.8	16.6	5	2.30
MOR-JIS-P012.5V	12.3	17.1	5	2.16
MOR-JIS-P014V	13.8	18.6	5	2.46
MOR-JIS-P015V	14.8	19.6	5	2.62
MOR-JIS-P016V	15.8	20.6	5	2.69
MOR-JIS-P018V	17.8	22.6	5	2.92
MOR-JIS-P020V	19.8	24.6	5	3.13
MOR-JIS-P021V	20.8	25.6	5	3.24
MOR-JIS-P022V	21.8	26.6	5	3.42
3.1mm C/S				
MOR-JIS-G025V	24.4	30.6	2	\$5.30
MOR-JIS-G030V	29.4	35.6	2	6.26
MOR-JIS-G040V	39.4	45.6	2	8.05
MOR-JIS-G045V	44.4	50.6	1	9.43
MOR-JIS-G050V	49.4	55.6	1	9.91
MOR-JIS-G060V	59.4	65.6	1	11.65
MOR-JIS-G065V	64.4	70.6	1	13.54
MOR-JIS-G070V	69.4	75.6	1	13.54
MOR-JIS-G075V	74.4	80.6	1	14.43
MOR-JIS-G080V	79.4	85.6	1	15.37
MOR-JIS-G085V	84.4	90.6	1	16.38
MOR-JIS-G090V	89.4	95.6	1	17.20
MOR-JIS-G095V	94.4	100.6	1	18.13
MOR-JIS-G100V	99.4	105.6	1	19.05
MOR-JIS-G105V	104.4	110.6	1	20.00
MOR-JIS-G110V	109.4	115.6	1	46.44
MOR-JIS-G115V	114.4	120.6	1	21.84
MOR-JIS-G120V	119.4	125.6	1	22.75
MOR-JIS-G125V	124.4	130.6	1	23.64
MOR-JIS-G145V	144.4	150.6	1	26.80
3.5mm C/S				
MOR-JIS-P029V	28.7	35.7	1	\$13.25
5.7mm C/S				

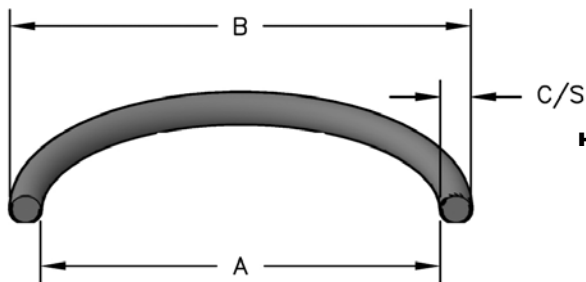
Part Number	A Nom. ID	B Nom. OD	Package Quantity	List Price
MOR-JIS-P053V	52.6	64	1	\$20.05
MOR-JIS-P055V	54.6	66	1	20.11
MOR-JIS-P060V	59.6	71	1	25.80
MOR-JIS-P065V	64.6	76	1	26.05
MOR-JIS-P080V	79.6	91	1	29.68
MOR-JIS-P090V	89.6	101	1	32.47
MOR-JIS-P100V	99.6	111	1	35.37
MOR-JIS-P130V	129.6	141	1	47.46
MOR-JIS-P135V	134.6	146	1	48.44
MOR-JIS-P140V	139.6	151	1	50.88
MOR-JIS-G190V	189.3	200.7	1	78.64

O-RINGS

Seal color may vary. Special order sizes are available. Sizes not shown and out of stock items can also be ordered for next day delivery through Seals On Demand, our custom seal program. Please call your regional sales team for assistance.

O-RINGS - 90 DURO NITRILE MOR-JIS STYLE

Please specify 70 or 90 Durometer when ordering. Metric o-rings are offered in minimum package quantities (MP in chart).



HERCULES PART NUMBERS

MOR-JIS - G025 - 90D

Type of Seal: MOR
JIS Standard Number: JIS
Suffix: D

SEAL INFORMATION

MATERIAL	90A DURO NITRILE
TEMPERATURE RANGE	-20° TO +220° F
PRESSURE RANGE	3 FT/SEC

Part Number	A Nom. ID	B Nom. OD	Package Quantity	List Price
1.9mm C/S				
MOR-JIS-P003-90D	2.8	6.6	100	\$0.11
MOR-JIS-P004-90D	3.8	7.6	100	0.11
MOR-JIS-P005-90D	4.8	8.6	100	0.17
MOR-JIS-P006-90D	5.8	9.6	100	0.17
MOR-JIS-P007-90D	6.8	10.6	50	0.33
MOR-JIS-P008-90D	7.8	11.6	50	0.36
MOR-JIS-P009-90D	8.8	12.6	50	0.36
MOR-JIS-P010-90D	9.8	13.6	50	0.37
2.4mm C/S				
MOR-JIS-P010A-90D	9.8	14.6	25	\$0.58
MOR-JIS-P011-90D	10.8	15.6	25	0.60
MOR-JIS-P011.2-90D	11	15.8	25	0.60
MOR-JIS-P012-90D	11.8	16.6	25	0.60
MOR-JIS-P012.5-90D	12.3	17.1	20	0.80
MOR-JIS-P014-90D	13.8	18.6	20	0.83
MOR-JIS-P015-90D	14.8	19.6	20	0.82
MOR-JIS-P016-90D	15.8	20.6	20	0.82
MOR-JIS-P018-90D	17.8	22.6	20	0.83
MOR-JIS-P020-90D	19.8	24.6	20	1.09
MOR-JIS-P021-90D	20.8	25.6	20	1.09
MOR-JIS-P022-90D	21.8	26.6	20	1.12
3.1mm C/S				
MOR-JIS-G025-90D	24.4	30.6	25	\$0.58
MOR-JIS-G030-90D	29.4	35.6	20	0.79
MOR-JIS-G035-90D	34.4	40.6	20	0.96
MOR-JIS-G040-90D	39.4	45.6	20	1.05
MOR-JIS-G045-90D	44.4	50.6	10	2.10
MOR-JIS-G050-90D	49.4	55.6	10	2.23
MOR-JIS-G055-90D	54.4	60.6	10	2.31
MOR-JIS-G060-90D	59.4	65.6	5	2.66
MOR-JIS-G065-90D	64.4	70.6	5	2.64
MOR-JIS-G070-90D	69.4	75.6	5	2.67
MOR-JIS-G075-90D	74.4	80.6	5	10.30
MOR-JIS-G080-90D	79.4	85.6	5	3.24
MOR-JIS-G085-90D	84.4	90.6	5	3.35
MOR-JIS-G090-90D	89.4	95.6	5	3.38
MOR-JIS-G095-90D	94.4	100.6	5	3.46
MOR-JIS-G100-90D	99.4	105.6	5	3.77
MOR-JIS-G105-90D	104.4	110.6	5	3.85
MOR-JIS-G110-90D	109.4	115.6	5	3.91
MOR-JIS-G115-90D	114.4	120.6	5	3.97
MOR-JIS-G120-90D	119.4	125.6	5	4.31

Part Number	A Nom. ID	B Nom. OD	Package Quantity	List Price
MOR-JIS-G125-90D	124.4	130.6	5	4.38
MOR-JIS-G130-90D	129.4	135.6	5	4.40
MOR-JIS-G135-90D	134.4	140.6	2	5.17
MOR-JIS-G140-90D	139.4	145.6	2	9.22
MOR-JIS-G145-90D	144.4	150.6	2	5.29
3.5mm C/S				
MOR-JIS-P022A-90D	21.7	28.7	20	\$0.66
MOR-JIS-P022.4-90D	22.1	29.1	20	0.82
MOR-JIS-P024-90D	23.7	30.7	20	1.05
MOR-JIS-P025-90D	24.7	31.7	20	1.05
MOR-JIS-P025.5-90D	25.2	32.2	20	0.82
MOR-JIS-P026-90D	25.7	32.7	10	1.37
MOR-JIS-P028-90D	27.7	34.7	10	1.45
MOR-JIS-P029-90D	28.7	35.7	10	1.73
MOR-JIS-P029.5-90D	29.2	36.2	20	0.89
MOR-JIS-P030-90D	29.7	36.7	10	1.74
MOR-JIS-P031-90D	30.7	37.7	10	1.80
MOR-JIS-P031.5-90D	31.2	38.2	20	0.91
MOR-JIS-P032-90D	31.7	38.7	10	1.83
MOR-JIS-P034-90D	33.7	40.7	10	1.92
MOR-JIS-P035-90D	34.7	41.7	10	1.92
MOR-JIS-P035.5-90D	35.2	42.2	20	1.15
MOR-JIS-P036-90D	35.7	42.7	10	1.95
MOR-JIS-P038-90D	37.7	44.7	10	2.05
MOR-JIS-P039-90D	38.7	45.7	10	2.06
MOR-JIS-P040-90D	39.7	46.7	10	2.08
MOR-JIS-P041-90D	40.7	47.7	10	2.10
MOR-JIS-P042-90D	41.7	48.7	10	2.19
MOR-JIS-P044-90D	43.7	50.7	5	2.35
MOR-JIS-P045-90D	44.7	51.7	5	2.35
MOR-JIS-P046-90D	45.7	52.7	5	2.40
MOR-JIS-P048-90D	47.7	54.7	5	3.06
MOR-JIS-P049-90D	48.7	55.7	5	3.14
MOR-JIS-P050-90D	49.7	56.7	5	3.16
4mm C/S				
MOR-JIS-V015-90D	14.5	22.5	2	\$3.75
MOR-JIS-V024-90D	23.5	31.5	2	4.06
5.7mm C/S				
MOR-JIS-P048A-90D	47.6	59	5	\$3.36
MOR-JIS-P050A-90D	49.6	61	5	3.46
MOR-JIS-P052-90D	51.6	63	5	12.01
MOR-JIS-P053-90D	52.6	64	5	3.60
MOR-JIS-P055-90D	54.6	66	5	3.70

O-RINGS - 90 DURO NITRILE MOR-JIS STYLE

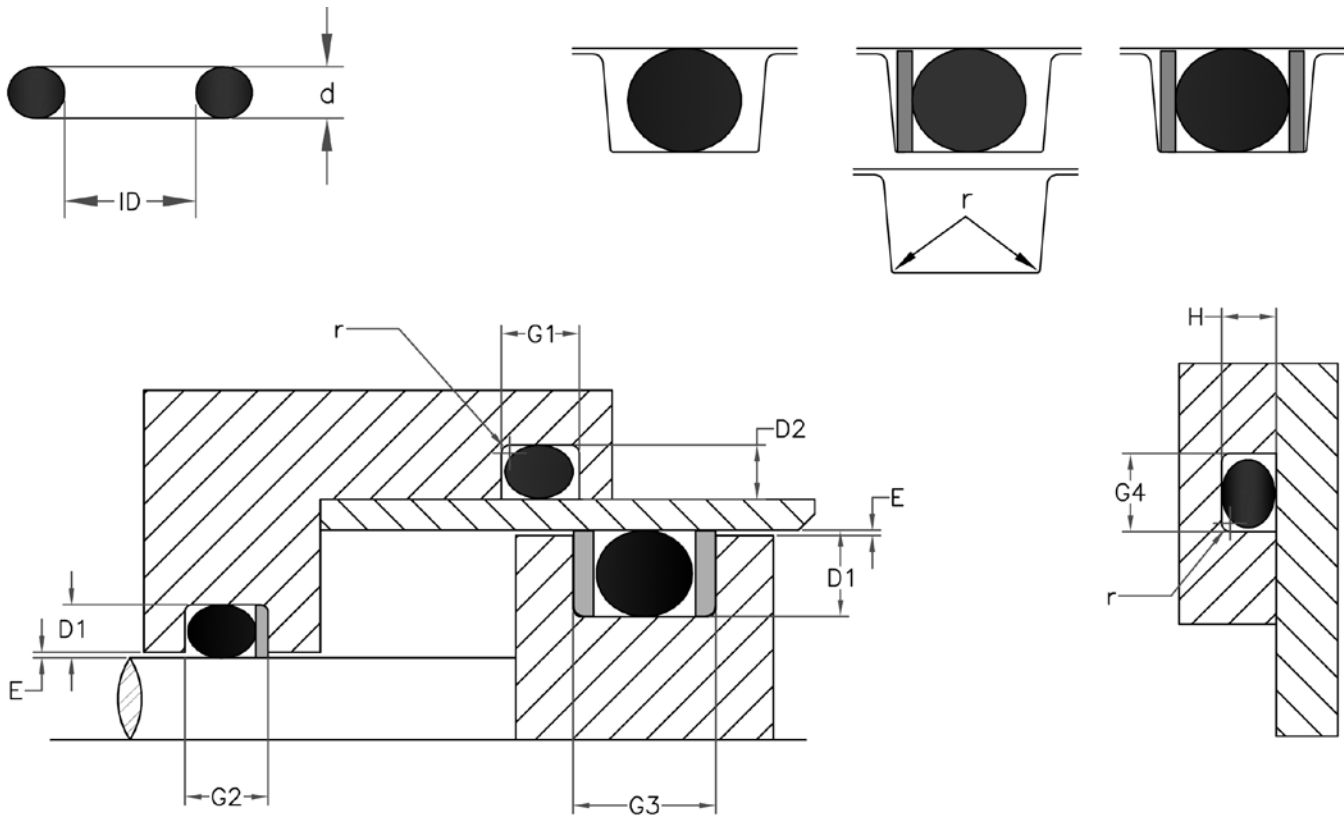


Part Number	A Nom. ID	B Nom. OD	Package Quantity	List Price
MOR-JIS-P056-90D	55.6	67	5	3.71
MOR-JIS-P058-90D	57.6	69	2	4.90
MOR-JIS-P060-90D	59.6	71	2	4.93
MOR-JIS-P063-90D	62.6	74	2	6.90
MOR-JIS-P065-90D	64.6	76	2	6.22
MOR-JIS-P067-90D	66.6	78	2	6.31
MOR-JIS-P070-90D	69.6	81	2	6.48
MOR-JIS-P071-90D	70.6	82	2	6.52
MOR-JIS-P075-90D	74.6	86	2	6.70
MOR-JIS-P080-90D	79.6	91	2	6.95
MOR-JIS-P085-90D	84.6	96	2	7.10
MOR-JIS-P090-90D	89.6	101	2	8.07
MOR-JIS-P095-90D	94.6	106	2	9.42
MOR-JIS-P100-90D	99.6	111	2	9.62
MOR-JIS-P102-90D	101.6	113	2	9.72
MOR-JIS-P105-90D	104.6	116	2	9.82
MOR-JIS-P110-90D	109.6	121	2	10.00
MOR-JIS-P112-90D	111.6	123	2	10.09
MOR-JIS-P115-90D	114.6	126	2	10.22
MOR-JIS-P120-90D	119.6	131	2	10.41
MOR-JIS-P125-90D	124.6	136	2	10.41
MOR-JIS-P130-90D	129.6	141	2	10.41
MOR-JIS-P132-90D	131.6	143	2	10.45
MOR-JIS-P135-90D	134.6	146	2	10.55
MOR-JIS-P140-90D	139.6	151	2	10.65
MOR-JIS-P145-90D	144.6	156	2	10.84
MOR-JIS-G150-90D	149.3	160.7	2	11.30
MOR-JIS-P150-90D	149.6	161	2	13.28
MOR-JIS-G155-90D	154.3	165.7	2	13.45
MOR-JIS-G160-90D	159.3	170.7	2	14.03
MOR-JIS-G165-90D	164.3	175.7	1	16.99
MOR-JIS-G170-90D	169.3	180.7	1	17.14
MOR-JIS-G175-90D	174.3	185.7	1	17.45
MOR-JIS-G180-90D	179.3	190.7	1	19.47
MOR-JIS-G185-90D	184.3	195.7	1	19.71
MOR-JIS-G190-90D	189.3	200.7	1	19.90
MOR-JIS-G195-90D	194.3	205.7	1	20.15
MOR-JIS-G200-90D	199.3	210.7	1	25.92
MOR-JIS-G205-90D	204.3	215.7	1	27.38
MOR-JIS-G210-90D	209.3	220.7	1	30.76
MOR-JIS-G215-90D	214.3	225.7	1	32.08
MOR-JIS-G220-90D	219.3	230.7	1	36.54
MOR-JIS-G230-90D	229.3	240.7	1	37.86
MOR-JIS-G240-90D	239.3	250.7	1	40.21
MOR-JIS-G250-90D	249.3	260.7	1	43.66
MOR-JIS-G260-90D	259.3	270.7	1	46.92
MOR-JIS-G270-90D	269.3	280.7	1	47.28
MOR-JIS-G275-90D	274.3	285.7	1	47.32
MOR-JIS-G280-90D	279.3	290.7	1	49.70
MOR-JIS-G290-90D	289.3	300.7	1	58.64
MOR-JIS-G300-90D	299.3	310.7	1	61.32
8.4mm C/S				
MOR-JIS-P150A-90D	149.5	166.3	1	\$37.25
MOR-JIS-P155-90D	154.5	171.3	1	23.94
MOR-JIS-P160-90D	159.5	176.3	1	26.46
MOR-JIS-P165-90D	164.5	181.3	1	26.82
MOR-JIS-P170-90D	169.5	186.3	1	27.17

Part Number	A Nom. ID	B Nom. OD	Package Quantity	List Price
MOR-JIS-P175-90D	174.5	191.3	1	27.56
MOR-JIS-P180-90D	179.5	196.3	1	29.87
MOR-JIS-P185-90D	184.5	201.3	1	31.12
MOR-JIS-P190-90D	189.5	206.3	1	31.53
MOR-JIS-P195-90D	194.5	211.3	1	31.92
MOR-JIS-P200-90D	199.5	216.3	1	32.35
MOR-JIS-P210-90D	209.5	226.3	1	39.51
MOR-JIS-P215-90D	214.5	231.3	1	40.97
MOR-JIS-P220-90D	219.5	236.3	1	46.78
MOR-JIS-P225-90D	224.5	241.3	1	46.40
MOR-JIS-P240-90D	239.5	256.3	1	60.50
MOR-JIS-P245-90D	244.5	261.3	1	58.66
MOR-JIS-P255-90D	254.5	271.3	1	133.06
MOR-JIS-P265-90D	264.5	281.3	1	94.02
MOR-JIS-P280-90D	279.5	296.3	1	168.75
MOR-JIS-P290-90D	289.5	306.3	1	161.56
MOR-JIS-P300-90D	299.5	316.3	1	124.30
MOR-JIS-P375-90D	374.5	391.3	1	175.13

O-RINGS

METRIC O-RING GROOVE DIMENSIONS



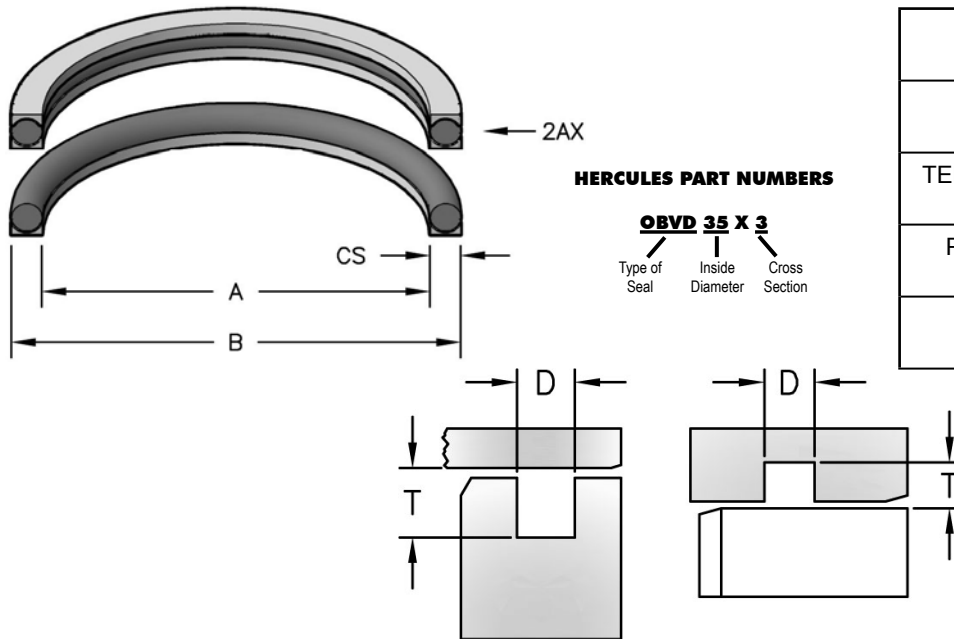
Cross Section d	Radial Installation					Axial Installation		Radius r ± 0.2	Gap E Max
	Groove Depth + 0.05		Groove Width			Groove Depth	Groove Width		
	Dynamic D1	Static D2	G1 ± 0.2	G2 ± 0.2	G3 ± 0.2	H + 0.05	G4 + 0.2		
1.5	1.25	1.10	2.00	3.00	4.00	1.10	2.10	0.30	0.05
1.60	1.30	1.20	2.10	3.10	4.10	1.20	2.20	0.30	0.05
1.78	1.45	1.30	2.40	3.60	5.20	1.30	2.60	0.30	0.06
2.40	2.05	1.80	3.20	4.60	6.00	1.80	3.30	0.30	0.06
2.62	2.25	2.00	3.60	5.00	6.40	2.00	3.80	0.30	0.07
3.00	2.60	2.30	4.00	5.40	6.80	2.30	4.00	0.60	0.07
3.53	3.10	2.70	4.80	6.20	7.60	2.70	5.00	0.60	0.08
4.00	3.50	3.10	5.20	6.90	8.60	3.10	5.30	0.60	0.08
5.33	4.70	4.30	7.10	9.00	10.90	4.30	7.30	0.60	0.10
5.70	5.00	4.60	7.20	9.00	11.00	4.60	7.40	0.60	0.10
7.00	6.10	5.80	9.50	12.30	15.10	5.80	9.70	1.00	0.13
8.40	7.50	7.10	10.00	12.80	15.60	7.10	10.30	1.00	0.13

Seal color may vary. Special order sizes are available. Sizes not shown and out of stock items can also be ordered for next day delivery through Seals On Demand, our custom seal program. Please call your regional sales team for assistance.

O-RINGS - OBVD STATIC SEALS



OBVD static seals are a composite of an o-ring and a back-up ring. An 80 durometer nitrile o-ring is permanently affixed to a 95 durometer urethane back-up ring.



SEAL INFORMATION	
MATERIAL	NITRILE URETHANE
TEMPERATURE RANGE	-22° TO +212° F
PRESSURE RANGE	0 TO 7,250 PSI
SPEED	3 FT/SEC

Part Number	A Nom. ID	B Nom. OD	D GROOVE WIDTH	T GROOVE DEPTH	List Price
3mm C/S					
OBVD 35X3	35	41	3.90 ^{+0.20} / _{+0.00}	2.30 ^{+0.00} / _{-0.05}	\$26.05
OBVD 56X3	56	62	3.90 ^{+0.20} / _{+0.00}	2.30 ^{+0.00} / _{-0.05}	25.39
OBVD 60X3	60	66	3.90 ^{+0.20} / _{+0.00}	2.30 ^{+0.00} / _{-0.05}	25.39
OBVD 75X3	75	81	3.90 ^{+0.20} / _{+0.00}	2.30 ^{+0.00} / _{-0.05}	32.01
OBVD 84X3	84	90	3.90 ^{+0.20} / _{+0.00}	2.30 ^{+0.00} / _{-0.05}	35.67
OBVD 85X3	85	91	3.90 ^{+0.20} / _{+0.00}	2.30 ^{+0.00} / _{-0.05}	35.67
OBVD 94X3	94	100	3.90 ^{+0.20} / _{+0.00}	2.30 ^{+0.00} / _{-0.05}	40.01
OBVD 95X3	95	101	3.90 ^{+0.20} / _{+0.00}	2.30 ^{+0.00} / _{-0.05}	30.31
OBVD 104X3	104	110	3.90 ^{+0.20} / _{+0.00}	2.30 ^{+0.00} / _{-0.05}	52.68
3.53mm C/S					
OBVD 53X3.53	53	60.06	4.50 ^{+0.20} / _{+0.00}	2.80 ^{+0.05} / _{+0.00}	\$26.05
4mm C/S					
OBVD 57X4	57	65	5.20 ^{+0.20} / _{+0.00}	3.20 ^{+0.00} / _{-0.05}	\$154.35
OBVD 75X4	75	83	5.20 ^{+0.20} / _{+0.00}	3.20 ^{+0.00} / _{-0.05}	30.18
OBVD 82X4	82	90	5.20 ^{+0.20} / _{+0.00}	3.20 ^{+0.00} / _{-0.05}	34.30
OBVD 82X4-2AX	82	90	5.70 ^{+0.20} / _{+0.00}	3.20 ^{+0.00} / _{-0.05}	61.74
OBVD 87X4	87	95	5.20 ^{+0.20} / _{+0.00}	3.20 ^{+0.00} / _{-0.05}	34.30
OBVD 92X4	92	100	5.20 ^{+0.20} / _{+0.00}	3.20 ^{+0.00} / _{-0.05}	42.68
OBVD 110X4	110	118	5.20 ^{+0.20} / _{+0.00}	3.20 ^{+0.00} / _{-0.05}	52.15

Part Number	A Nom. ID	B Nom. OD	D GROOVE WIDTH	T GROOVE DEPTH	List Price
OBVD 117X4	117	125	5.20 ^{+0.20} / _{+0.00}	3.20 ^{+0.00} / _{-0.05}	60.02
OBVD 117X4-2AX	117	125	5.70 ^{+0.20} / _{+0.00}	3.20 ^{+0.00} / _{-0.05}	137.20
OBVD 118X4	118	126	5.20 ^{+0.20} / _{+0.00}	3.20 ^{+0.00} / _{-0.05}	52.84
OBVD 147X4	147	155	5.20 ^{+0.20} / _{+0.00}	3.20 ^{+0.00} / _{-0.05}	40.46
5mm C/S					
OBVD 85X5	85	95	6.20 ^{+0.30} / _{+0.00}	4.20 ^{+0.00} / _{-0.10}	\$32.95
OBVD 110X5	110	120	6.20 ^{+0.30} / _{+0.00}	4.20 ^{+0.00} / _{-0.10}	52.15
OBVD 115X5	115	125	6.20 ^{+0.30} / _{+0.00}	4.20 ^{+0.00} / _{-0.10}	48.71
OBVD 135X5	135	145	6.20 ^{+0.30} / _{+0.00}	4.20 ^{+0.00} / _{-0.10}	47.34
OBVD 140X5	140	150	6.20 ^{+0.30} / _{+0.00}	4.20 ^{+0.00} / _{-0.10}	47.34
OBVD 150X5	150	160	6.20 ^{+0.30} / _{+0.00}	4.20 ^{+0.00} / _{-0.10}	48.71

O-RINGS



O-RING CORD STOCK

Part Number	List Price
MORC-1.5	\$1.37
MORC-2.0	1.45
MORC-2.5	1.78
MORC-3.0	2.35
MORC-4.0	2.51
MORC-5.0	3.82
MORC-5.7	5.09
MORC-6.0	5.18
MORC-8.4	5.76

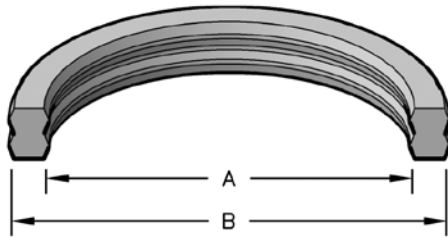
Note: Material = 70A Durometer Nitrile. Sold by the foot.

O-RINGS

STYLE MHS8 HEAD SEALS

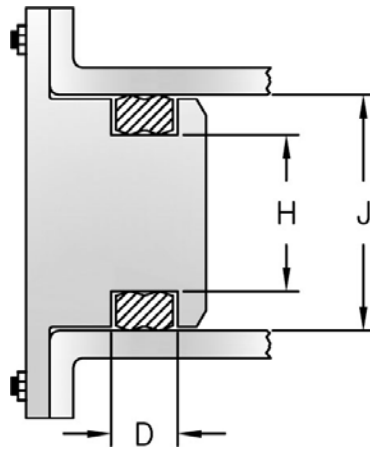


Molded in Zurcon® Z20 93A urethane, this seal was developed to be used as a head seal and to replace an o-ring and a back-up. Its symmetrical one-piece design reduces the risk of installation damage and back-up blow-out.



HERCULES PART NUMBERS

MHS8 15 X 12.6 X 3.6
 Type of Seal Bore Diameter Groove Diameter Groove Width



SEAL INFORMATION	
MATERIAL	93A URETHANE
TEMPERATURE RANGE	-31° TO 230°F
PRESSURE RANGE	0 TO 7,250 PSI
SPEED	STATIC

HEAD SEALS

Part Number	A Nom. ID	B Nom. OD	C Nom. Ht	D GROOVE WIDTH	H GROOVE DIAMETER	J BORE DIAMETER	List Price
MHS8-15X12.6X3.6	12.6	15	3	3.60 +0.20 +0.00	12.60 +0.000 -0.043	15.00 +0.027 +0.000	\$8.00
MHS8-18X15.6X3.6	15.6	18	3	3.60 +0.20 +0.00	15.60 +0.000 -0.043	18.00 +0.027 +0.000	8.30
MHS8-23X20.6X3.6	20.6	23	3	3.60 +0.20 +0.00	20.60 +0.000 -0.052	23.00 +0.033 +0.000	8.73
MHS8-26X22X4.4	22	26	4	4.40 +0.20 +0.00	22.00 +0.000 -0.052	26.00 +0.033 +0.000	8.84
MHS8-31X26.4X5	26.4	31	4.5	5.00 +0.20 +0.00	26.40 +0.000 -0.052	31.00 +0.039 +0.000	8.94
MHS8-35X30.4X5	30.4	35	4.5	5.00 +0.20 +0.00	30.40 +0.000 -0.062	35.00 +0.039 +0.000	9.11
MHS8-35.5X30.9X5	30.9	35.5	4.5	5.00 +0.20 +0.00	30.90 +0.000 -0.062	35.50 +0.039 +0.000	9.17
MHS8-40X35.2X5.4	35.2	40	4.9	5.40 +0.20 +0.00	35.20 +0.000 -0.062	40.00 +0.039 +0.000	9.46
MHS8-45X40X5.4	40	45	4.9	5.40 +0.20 +0.00	40.00 +0.000 -0.062	45.00 +0.039 +0.000	9.71
MHS8-50X45.4X5.4	45.4	50	4.9	5.40 +0.20 +0.00	45.40 +0.000 -0.062	50.00 +0.039 +0.000	9.98
MHS8-55X49.9X5.3	49.9	55	4.4	5.30 +0.20 +0.00	49.90 +0.000 -0.062	55.00 +0.046 +0.000	10.26
MHS8-60X54.4X5.8	54.4	60	5	5.80 +0.20 +0.00	54.40 +0.000 -0.074	60.00 +0.046 +0.000	10.54
MHS8-63X57.6X6.2	57.6	63	5.6	6.20 +0.20 +0.00	57.60 +0.000 -0.074	63.00 +0.046 +0.000	10.87
MHS8-63X58.4X5.4	58.4	63	4.9	5.40 +0.20 +0.00	58.40 +0.000 -0.074	63.00 +0.046 +0.000	10.81

STYLE MHS8 HEAD SEALS

HEAD SEALS

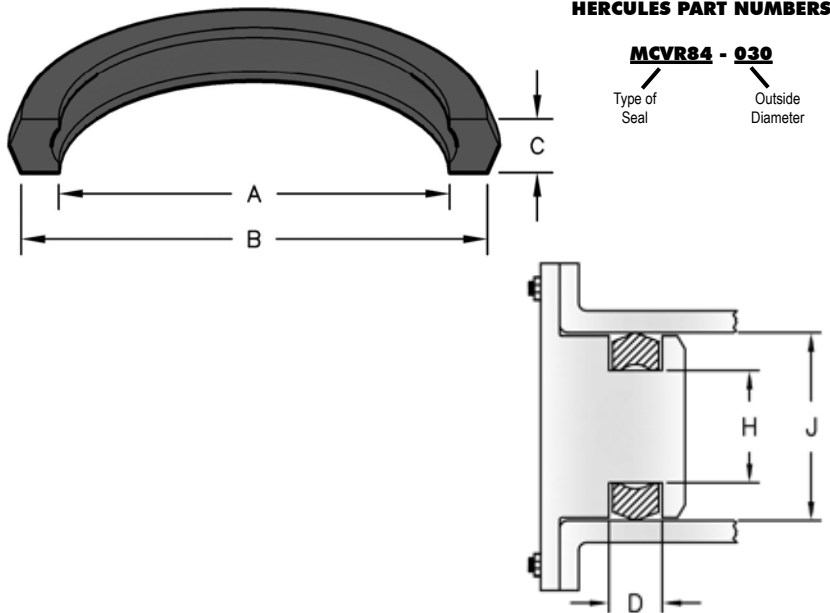
Part Number	A Nom. ID	B Nom. OD	C Nom. Ht	D GROOVE WIDTH	H GROOVE DIAMETER	J BORE DIAMETER	List Price
MHS8-66.6X61.4X5.4	61.4	66.6	4.8	5.40 ^{+0.20} / _{+0.00}	61.40 ^{+0.000} / _{-0.074}	66.60 ^{+0.046} / _{+0.000}	33.60
MHS8-70X64.6X6.2	64.6	70	5.6	6.20 ^{+0.20} / _{+0.00}	64.60 ^{+0.000} / _{-0.074}	70.00 ^{+0.046} / _{+0.000}	11.45
MHS8-65.75X72.01X4.75	66.4	71.8	4.75	5.94 ^{+0.20} / _{+0.00}	66.40 ^{+0.000} / _{-0.074}	71.80 ^{+0.046} / _{+0.000}	27.68
MHS8-75X69.4X5.3	69.4	75	4.4	5.30 ^{+0.20} / _{+0.00}	69.40 ^{+0.000} / _{-0.074}	75.00 ^{+0.046} / _{+0.000}	11.92
MHS8-75X69.6X6.2	69.6	75	5.6	6.20 ^{+0.20} / _{+0.00}	69.60 ^{+0.000} / _{-0.074}	75.00 ^{+0.046} / _{+0.000}	12.05
MHS8-76.7X70.7X6.2	70.7	76.7	5.5	6.20 ^{+0.20} / _{+0.00}	70.70 ^{+0.000} / _{-0.074}	76.70 ^{+0.046} / _{+0.000}	40.18
MHS8-80X73.6X6.4	73.6	80	5.9	6.40 ^{+0.20} / _{+0.00}	73.60 ^{+0.000} / _{-0.074}	80.00 ^{+0.046} / _{+0.000}	12.48
MHS8-80X74.4X5.3	74.4	80	4.4	5.30 ^{+0.20} / _{+0.00}	74.40 ^{+0.000} / _{-0.074}	80.00 ^{+0.046} / _{+0.000}	12.38
MHS8-85X79.4X5.3	79.4	85	4.4	5.30 ^{+0.20} / _{+0.00}	79.40 ^{+0.000} / _{-0.074}	85.00 ^{+0.054} / _{+0.000}	26.15
MHS8-95X89.4X6.2	89.4	95	5.6	6.20 ^{+0.20} / _{+0.00}	89.40 ^{+0.000} / _{-0.087}	95.00 ^{+0.054} / _{+0.000}	13.38
MHS8-100X93.8X6.9	93.8	100	6.3	6.90 ^{+0.20} / _{+0.00}	93.80 ^{+0.000} / _{-0.087}	100.00 ^{+0.054} / _{+0.000}	13.96
MHS8-100X94.3X5.3	94.3	100	4.4	5.30 ^{+0.20} / _{+0.00}	94.30 ^{+0.000} / _{-0.087}	100.00 ^{+0.054} / _{+0.000}	13.84
MHS8-110X101.4X9	101.4	110	8.1	9.00 ^{+0.20} / _{+0.00}	101.40 ^{+0.000} / _{-0.087}	110.00 ^{+0.054} / _{+0.000}	15.20
MHS8-115X106.6X8.6	106.6	115	7.8	8.60 ^{+0.20} / _{+0.00}	106.60 ^{+0.000} / _{-0.087}	115.00 ^{+0.054} / _{+0.000}	15.69
MHS8-120X113X6	113	120	5.25	6.00 ^{+0.20} / _{+0.00}	113.00 ^{+0.000} / _{-0.087}	120.00 ^{+0.054} / _{+0.000}	17.79
MHS8-125X115.8X9.7	115.8	125	8.9	9.70 ^{+0.20} / _{+0.00}	115.80 ^{+0.000} / _{-0.087}	125.00 ^{+0.063} / _{+0.000}	19.11
MHS8-160X148.4X12.3	148.4	160	11.3	12.30 ^{+0.20} / _{+0.00}	148.40 ^{+0.00} / _{-0.10}	160.00 ^{+0.063} / _{+0.000}	27.13
MHS8-165X156.6X8.6	156.6	165	7.8	8.60 ^{+0.20} / _{+0.00}	156.60 ^{+0.00} / _{-0.10}	165.00 ^{+0.063} / _{+0.000}	28.44
MHS8-180X171.6X8.6	171.6	180	7.8	8.60 ^{+0.20} / _{+0.00}	171.60 ^{+0.00} / _{-0.10}	180.00 ^{+0.063} / _{+0.000}	34.57
MHS8-200X191.6X8.6	191.6	200	7.8	8.60 ^{+0.20} / _{+0.00}	191.60 ^{+0.000} / _{-0.115}	200.00 ^{+0.072} / _{+0.000}	41.01

Seal color may vary. Special order sizes are available. Please call your regional sales team for assistance.

STYLE MCVR84 COVER SEALS



MCVR84 urethane cover seals are designed to replace O-rings for most hydraulic applications, eliminating common problems such as twisting and tearing as well as the need for a backup ring at high pressures. Cover seals may also be used as a double acting seal in many hydraulic applications previously using a conventional O-ring to provide better wear characteristics and greater resistance to extrusion.



SEAL INFORMATION	
MATERIAL	95A URETHANE
TEMPERATURE RANGE	-22° TO 212°F
PRESSURE RANGE	0 TO 8,700 PSI
SPEED	STATIC TO 3FT/SEC

Part Number	A Nom. ID	B Nom. OD	C Nom. Ht	D GROOVE WIDTH	H GROOVE DIAMETER	J BORE DIAMETER	List Price
MCVR84-030	25.4	30	3.39	3.90 ^{+0.25} / _{+0.00}	25.40	30.00 ^{+0.03} / _{+0.00}	\$4.15
MCVR84-035	30.4	35	3.39	3.90 ^{+0.25} / _{+0.00}	30.40	35.00 ^{+0.04} / _{+0.00}	4.46
MCVR84-040/1	32.8	40	2.8	3.40 ^{+0.25} / _{+0.00}	32.80	40.00 ^{+0.04} / _{+0.00}	4.79
MCVR84-040	33.5	40	4.3	4.80 ^{+0.25} / _{+0.00}	33.50	40.00 ^{+0.04} / _{+0.00}	4.79
MCVR84-045	39.5	45	3.9	4.50 ^{+0.25} / _{+0.00}	39.50	45.00 ^{+0.04} / _{+0.00}	5.75
MCVR84-050	44.4	50	5.3	6.20 ^{+0.25} / _{+0.00}	44.40	50.00 ^{+0.04} / _{+0.00}	6.23
MCVR84-060	52.2	60	5	5.80 ^{+0.25} / _{+0.00}	52.20	60.00 ^{+0.05} / _{+0.00}	6.55
MCVR84-060/2	54.6	60	5.37	6.20 ^{+0.25} / _{+0.00}	54.60	60.00 ^{+0.05} / _{+0.00}	4.54
MCVR84-070	64.4	70	5.3	6.20 ^{+0.25} / _{+0.00}	64.40	70.00 ^{+0.05} / _{+0.00}	6.87
MCVR84-075	69.6	75	5.5	6.50 ^{+0.25} / _{+0.00}	69.60	75.00 ^{+0.05} / _{+0.00}	7.36
MCVR84-080	74.6	80	5.64	6.50 ^{+0.25} / _{+0.00}	74.60	80.00 ^{+0.05} / _{+0.00}	8.32
MCVR84-085	80.8	85	4.2	5.00 ^{+0.25} / _{+0.00}	80.80	85.00 ^{+0.05} / _{+0.00}	8.32
MCVR84-090	80.1	90	6.7	7.80 ^{+0.25} / _{+0.00}	80.10	90.00 ^{+0.05} / _{+0.00}	8.32
MCVR84-095/1	86.4	95	7.8	9.00 ^{+0.25} / _{+0.00}	86.40	95.00 ^{+0.05} / _{+0.00}	5.88
MCVR84-095	87.7	95.5	5	5.80 ^{+0.25} / _{+0.00}	87.70	95.50 ^{+0.05} / _{+0.00}	8.46

HEAD SEALS

STYLE MCVR84 COVER SEALS

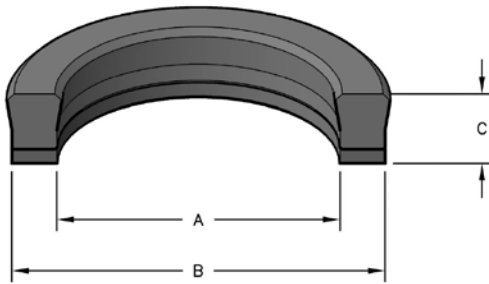
HEAD SEALS

Part Number	A Nom. ID	B Nom. OD	C Nom. Ht	D GROOVE WIDTH	H GROOVE DIAMETER	J BORE DIAMETER	List Price
MCVR84-100	90	100	6.8	7.80 ^{+0.25} _{+0.00}	90.00	100.00 ^{+0.05} _{+0.00}	8.63
MCVR84-100/1	91.4	100	7.8	9.00 ^{+0.25} _{+0.00}	91.40	100.00 ^{+0.05} _{+0.00}	5.98
MCVR84-105	95.1	105	6.7	7.80 ^{+0.25} _{+0.00}	95.10	105.00 ^{+0.05} _{+0.00}	10.38
MCVR84-110	101.4	110	7.8	9.00 ^{+0.25} _{+0.00}	101.40	110.00 ^{+0.05} _{+0.00}	10.85
MCVR84-120/1	110.8	120	6.98	8.00 ^{+0.25} _{+0.00}	110.80	120.00 ^{+0.05} _{+0.00}	7.52
MCVR84-120	112	120	5.62	6.50 ^{+0.25} _{+0.00}	112.00	120.00 ^{+0.05} _{+0.00}	10.85
MCVR84-125	116.4	125	7.8	9.00 ^{+0.25} _{+0.00}	116.40	125.00 ^{+0.06} _{+0.00}	11.18
MCVR84-130	123.7	130	4.49	5.20 ^{+0.25} _{+0.00}	123.70	130.00 ^{+0.06} _{+0.00}	12.38
MCVR84-135/1	126	135	7.9	9.10 ^{+0.25} _{+0.00}	126.00	135.00 ^{+0.06} _{+0.00}	9.40
MCVR84-135	128	135	4.74	5.50 ^{+0.25} _{+0.00}	128.00	135.00 ^{+0.06} _{+0.00}	13.58
MCVR84-140/4	130.8	140	7.8	9.00 ^{+0.25} _{+0.00}	130.80	140.00 ^{+0.06} _{+0.00}	10.41
MCVR84-140	134.1	140	4.9	5.90 ^{+0.25} _{+0.00}	134.10	140.00 ^{+0.06} _{+0.00}	15.02
MCVR84-145	139.1	145	4.25	4.90 ^{+0.25} _{+0.00}	139.10	145.00 ^{+0.06} _{+0.00}	15.65
MCVR84-150	141.9	150	8	9.20 ^{+0.25} _{+0.00}	141.90	150.00 ^{+0.06} _{+0.00}	16.29
MCVR84-160/2	149.4	160	7.51	8.60 ^{+0.25} _{+0.00}	149.40	160.00 ^{+0.06} _{+0.00}	13.95
MCVR84-160	150	160	7.33	8.40 ^{+0.25} _{+0.00}	150.00	160.00 ^{+0.06} _{+0.00}	20.13
MCVR84-170	160	170	7.32	8.40 ^{+0.25} _{+0.00}	160.00	170.00 ^{+0.06} _{+0.00}	22.83
MCVR84-180	170	180	7.3	8.40 ^{+0.25} _{+0.00}	170.00	180.00 ^{+0.06} _{+0.00}	23.32
MCVR84-190	180	190	7.32	8.40 ^{+0.25} _{+0.00}	180.00	190.00 ^{+0.07} _{+0.00}	32.75
MCVR84-200	191.4	200	7.8	9.00 ^{+0.25} _{+0.00}	191.40	200.00 ^{+0.07} _{+0.00}	33.97

STYLE MHSNB HEAD SEALS



This head seal design, comprised of a nitrile seal and hard urethane back-up ring is used in some mining applications.

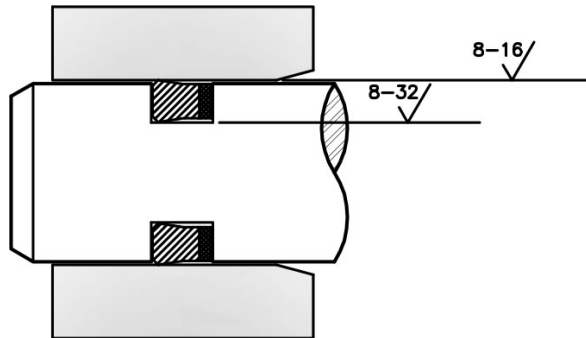


HERCULES PART NUMBERS

MHSNB 123.5 X 133 X 8.4

Type of Seal Inside Diameter Outside Diameter Height

SEAL INFORMATION	
MATERIAL	NITRILE SEAL, HARD URETHANE BACK-UP
TEMPERATURE RANGE	-31° TO 230°F
PRESSURE RANGE	0 TO 7,250 PSI
SPEED	STATIC



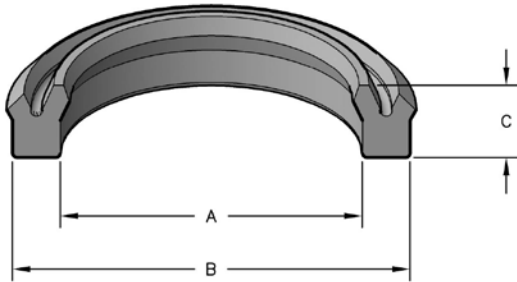
Part Number	A Nom. ID	B Nom. OD	C Nom. Ht	List Price
MHSNB-123.5X133X8.4	123.5	133	8.4	\$183.92
MHSNB-138X152X10	138	152	10	136.11
MHSNB-150X163X12	150	163	12	160.57
MHSNB-165X180X12	165	180	12	325.41
MHSNB-185X200X12	185	200	12	377.95
MHSNB-218X230X12	218	230	12	216.73
MHSNB-295X310X15	295	310	15	472.45
MHSNB-406X420X16	406	420	16	1049.79

HEAD SEALS



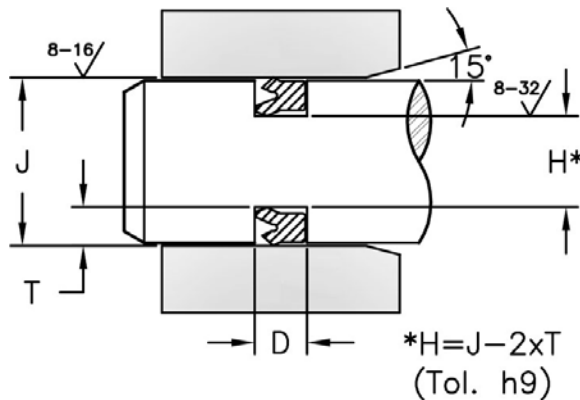
STYLE MUHS HEAD SEALS

The MUHS u-ring profile head seal was developed for high water content fluids (HFA) applications, it can also be used with standard mineral oil fluids. Each nominal diameter seal can be used in a range of bores, noted below.



HERCULES PART NUMBERS

MUHS 90 X 82 X 8.2
Type of Seal Outside Diameter Inside Diameter Groove Width



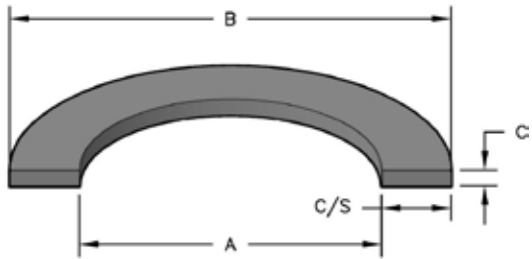
SEAL INFORMATION	
MATERIAL	40D POLYESTER ELASTOMER
TEMPERATURE RANGE	-22°F - +212°F +40°F - +140°F (HFA)
PRESSURE RANGE	0 TO 7,500 PSI
SPEED	STATIC

HEAD SEALS

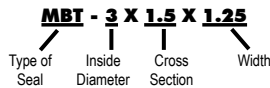
Part Number	A Nom. ID	B Nom. OD	C Nom. Ht	D GROOVE WIDTH	T GROOVE DEPTH	J BORE DIAMETER RANGE	List Price
MUHS-90X82X8.2	82	90	8.2	8.20 +0.30 +0.00	4.00	90-91	\$61.52
MUHS-154X146X8.2	146	154	8.2	8.20 +0.30 +0.00	4.00	154-164	82.38
MUHS-216X208X8.2	208	216	8.2	8.20 +0.30 +0.00	4.00	216-225	104.96
MUHS-230X218.8X11.2	218.8	230	11.2	11.20 +0.30 +0.00	5.60	230-240	161.68
MUHS-300X288.8X11.2	288.8	300	11.2	11.20 +0.30 +0.00	5.60	300-311	228.85
MUHS-312X302X10.3	302	312	10.3	10.30 +0.30 +0.00	5.00	312-322	235.17

STYLE MBT BACK-UP RINGS

Commonly used with metric o-rings, these back-up rings are made of virgin PTFE unless suffix specifies otherwise.



HERCULES PART NUMBERS



SEAL INFORMATION	
MATERIAL	PTFE
TEMPERATURE RANGE	-100° TO +500° F

STANDARD IS VIRGIN PTFE.

G= GLASS FILLED PTFE

B= BRONZE FILLED PTFE

CG= CARBON GRAPHITE FILLED PTFE

S= SPLIT RING

Part Number	A Nom. ID	B Nom. OD	C Nom. Ht	List Price
1mm C/S				
MBT-20X1X.85GM	20	22	.85	\$22.11
1.3mm C/S				
MBT-55X3X1.3S	55	61	3	\$5.95
1.35mm C/S				
MBT-10X1.35X1.25S	10	12.7	1.25	\$9.97
1.5mm C/S				
MBT-3X1.5X1.25	3	6	1.25	\$3.77
MBT-4X1.5X1.25	4	7	1.25	1.81
MBT-5X1.5X1.25	5	8	1.25	3.77
MBT-6X1.5X1.25	6	9	1.25	3.77
MBT-7X1.5X1.25	7	10	1.25	3.77
MBT-8X1.5X1.25	8	11	1.25	3.77
MBT-9X1.5X1.25	9	12	1.25	3.77
MBT-10X1.5X1.25	10	13	1.25	3.77
MBT-13X1.5X1	13	16	1	11.99
MBT-42X2.5X1.5	42	45	2.5	11.99
2mm C/S				
MBT-10X2X1.25	10	14	1.25	\$3.77
MBT-11X2X1.25	11	15	1.25	3.77
MBT-12X2X1.25	12	16	1.25	3.77
MBT-12.5X2X1.25	12.5	16.5	1.25	3.77
MBT-13X2X1.2	13	17	1.2	29.70
MBT-14X2X1.25	14	18	1.25	3.77
MBT-15X2X1.25	15	19	1.25	3.77
MBT-16X2X1.25	16	20	1.25	3.77
MBT-18X2X1.25	18	22	1.25	3.77
MBT-20X2X1.25	20	24	1.25	3.77
MBT-21X2X1.25	21	25	1.25	3.77
MBT-22X2X1.25	22	26	1.25	3.77
MBT-26X2X2.5SG	26	30	2.5	31.75
MBT-28X2X1.5S	28	32	1.5	15.56
MBT-29X2X1.5	29	33	1.5	5.19
MBT-47X2X1.25	47	51	1.25	13.32
MBT-53X2X1.25	53	57	1.25	15.25
2.1mm C/S				
MBT-11.8X2.1X1	11.8	16	1	\$11.99
2.4mm C/S				

Part Number	A Nom. ID	B Nom. OD	C Nom. Ht	List Price
MBT-127.7X2.4X1.25G	127.7	132.5	1.25	\$30.22
2.5mm C/S				
MBT-20X2.5X1.25	20	25	1.25	\$15.59
MBT-25X2.5X1.25	25	30	1.25	2.62
MBT-30X2.5X1.25	30	35	1.25	3.93
MBT-32X2.5X1.5	32	37	1.5	42.65
MBT-35X2.5X1.25	35	40	1.25	3.93
MBT-40X2.5X1.25	40	45	1.25	4.31
MBT-45X2.5X1.25	45	50	1.25	4.31
MBT-46X2.5X1.25	46	51	1.25	14.12
MBT-50X2.5X1.25	50	55	1.25	5.64
MBT-50X2.5X1.25ST	50	55	1.25	39.48
MBT-55X2.5X1.25	55	60	1.25	7.70
MBT-56X2.5X1.25	56	61	1.25	11.44
MBT-57X2.5X1.5	57	62	1.5	17.84
MBT-58X2.5X1.25	58	63	1.25	7.84
MBT-60X2.5X1.25	60	65	1.25	8.18
MBT-62X2.5X1.25	62	67	1.25	17.90
MBT-65X2.5X1.25	65	70	1.25	9.31
MBT-70X2.5X1.25	70	75	1.25	12.57
MBT-75X2.5X1.25	75	80	1.25	12.86
MBT-77X2.5X1.25	77	82	1.25	19.39
MBT-80X2.5X1.25	80	85	1.25	17.14
MBT-81X2.5X1.5	81	86	1.5	20.00
MBT-85X2.5X1.25	85	90	1.25	17.39
MBT-88X2.5X1.3	88	93	1.3	29.55
MBT-90X2.5X1.25	90	95	1.25	17.39
MBT-90X2.5X1.5	90	95	1.5	28.86
MBT-95X2.5X1.25	95	100	1.25	17.39
MBT-99.8X2.5X1.5	99.8	104.8	1.5	24.18
MBT-100X2.5X1.25	100	105	1.25	17.77
MBT-105X2.5X1.25	105	110	1.25	18.17
MBT-109.7X2.5X1.5	109.7	114.7	1.5	24.18
MBT-110X2.5X1.25	110	115	1.25	18.17
MBT-115X2.5X1.25	115	120	1.25	18.51
MBT-120X2.5X1.25	120	125	1.25	18.51
MBT-125X2.5X1.25	125	130	1.25	18.75
MBT-130X2.5X1.25	130	135	1.25	19.01
MBT-135X2.5X1.25	135	140	1.25	20.33
MBT-140X2.5X1.25	140	145	1.25	21.91

BACK-UP RINGS

STYLE MBT BACK-UP RINGS

BACK-UP RINGS

Part Number	A Nom. ID	B Nom. OD	C Nom. Ht	List Price
MBT-145X2.5X1.25	145	150	1.25	22.31
MBT-155X2.5X1.5	155	160	1.5	26.61
2.6mm C/S				
MBT-73.7X2.6X1.5	73.7	78.9	1.5	\$10.03
MBT-74.4X2.6X1.8	74.4	79.6	1.8	13.16
MBT-104X2.6X1.5	104	109.2	1.5	14.96
2.75mm C/S				
MBT-35X2.75X1.5S	35	40.5	1.5	\$9.43
3mm C/S				
MBT-22X3X1.25	22	28	1.25	\$3.77
MBT-22.4X3X1.25	22.4	28.4	1.25	3.77
MBT-24X3X1.25	24	30	1.25	3.77
MBT-25X3X1.25	25	31	1.25	3.77
MBT-26X3X1.25	26	32	1.25	3.77
MBT-28X3X1.25	28	34	1.25	3.77
MBT-29X3X1.25	29	35	1.25	3.77
MBT-29.5X3X1.25	29.5	35.5	1.25	3.77
MBT-30X3X1.25	30	36	1.25	3.77
MBT-30X3X2.3	30	36	2.3	16.81
MBT-31X3X1.25	31	37	1.25	3.77
MBT-32X3X1.25	32	38	1.25	4.20
MBT-34X3X1.25	34	40	1.25	4.20
MBT-35X3X1.25	35	41	1.25	4.20
MBT-35.5X3X1.25	35.5	41.5	1.25	4.50
MBT-36X3X1.25	36	42	1.25	4.50
MBT-38X3X1.25	38	44	1.25	4.50
MBT-39X3X1.25	39	45	1.25	4.82
MBT-40X3X1.25	40	46	1.25	4.82
MBT-40X3X1.25S	40	46	1.25	4.82
MBT-41X3X1.25	41	47	1.25	4.82
MBT-42X3X1.25	42	48	1.25	4.82
MBT-44X3X1.25	44	50	1.25	5.41
MBT-44X3X1.25ST	44	50	1.25	5.41
MBT-45X3X1.25	45	51	1.25	5.41
MBT-46X3X1.25	46	52	1.25	5.41
MBT-48X3X1.25	48	54	1.25	5.41
MBT-49X3X1.25	49	55	1.25	5.41
MBT-50X3X1.25	50	56	1.25	5.41
MBT-84X3X1.25	84	90	1.25	9.83
3.1mm C/S				
MBT-94.8X3.1X1.7	94.8	101	1.7	\$24.25
MBT-104.8X3.1X1.7	104.8	111	1.7	27.14
3.2mm C/S				
MBT-56.6X3.2X1.75-SC	55	61.4	1.75	\$6.87
MBT-65X3.2X1.5	65	71.4	1.5	11.66
MBT-68.6X3.2X1.7S	68.6	75	1.7	8.25
3.5mm C/S				
MBT-62X3.5X1.1	62	69	1.1	\$65.66
MBT-82X3.5X1.5G	82	89	1.5	35.02
MBT-90X3.5X1.5	90	97	1.5	13.07
4mm C/S				
MBT-25X4X1.5	25	33	1.5	\$3.74
MBT-123X4X1.7	123	131	1.7	29.52
MBT-150X4X1.6	150	158	1.6	6.69
4.5mm C/S				

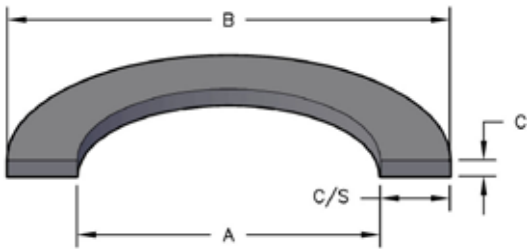
Part Number	A Nom. ID	B Nom. OD	C Nom. Ht	List Price
MBT-130X4.5X2	130	139	2	\$30.78
MBT-150.4X4.5X1.5	150.4	159.4	1.5	21.01
MBT-170X4.5X1.9	170	179	1.9	18.15
MBT-190X4.5X1.9	190	199	1.9	21.17
5mm C/S				
MBT-35.25X5X3	35.25	45.25	3	\$6.15
MBT-50X5X1.9	50	60	1.9	20.83
MBT-52X5X1.9	52	62	1.9	8.64
MBT-53X5X1.9	53	63	1.9	8.64
MBT-55X5X1.9	55	65	1.9	8.64
MBT-55X5X3B	55	65	3	17.53
MBT-55.93X5X1.5	56	66	1.5	13.03
MBT-56X5X1.9	56	66	1.9	9.39
MBT-58X5X1.9	58	68	1.9	9.39
MBT-59.95X5X1.55	60	70	1.5	16.09
MBT-60X5X1.9	60	70	1.9	9.39
MBT-60X5X1.9S	60	70	1.9	9.41
MBT-62X5X1.9	62	72	1.9	9.39
MBT-63X5X1.9	63	73	1.9	9.64
MBT-65X5X1.9	65	75	1.9	10.05
MBT-67X5X1.9	67	77	1.9	10.52
MBT-70X5X1.9	70	80	1.9	10.88
MBT-70X5X1.9S	70	80	1.9	12.92
MBT-70X5X3SGM	70	80	3	26.88
MBT-71X5X1.9	71	81	1.9	10.88
MBT-74X5X1.9	74	84	1.9	12.70
MBT-75X5X1.9	75	85	1.9	11.66
MBT-80X5X1.9	80	90	1.9	12.55
MBT-80X5X1.9-B6	80	90	1.9	36.02
MBT-80X5X3SCG	80	90	3	34.48
MBT-85X5X1.9	85	95	1.9	12.88
MBT-90X5X1.9	90	100	1.9	14.53
MBT-93X5X1.7	93	103	1.7	31.41
MBT-95X5X1.9	95	105	1.9	14.94
MBT-100X5X1.9	100	110	1.9	15.34
MBT-105X5X1.9	105	115	1.9	16.56
MBT-110X5X1.9	110	120	1.9	16.82
MBT-112X5X1.9	112	122	1.9	16.82
MBT-115X5X1.9	115	125	1.9	17.31
MBT-120X5X1.9	120	130	1.9	18.13
MBT-125X5X1.9	125	135	1.9	18.93
MBT-130X5X1.9	130	140	1.9	19.28
MBT-132X5X1.9	132	142	1.9	19.28
MBT-135X5X1.9	135	145	1.9	20.08
MBT-140X5X1.9	140	150	1.9	20.94
MBT-145X5X1.9	145	155	1.9	21.64
MBT-150X5X1.9	150	160	1.9	22.09
MBT-155X5X1.9	155	165	1.9	22.81
MBT-160X5X1.9	160	170	1.9	24.41
MBT-162X5X1.9	162	172	1.9	25.67
MBT-165X5X1.9	165	175	1.9	24.41
MBT-170X5X1.9	170	180	1.9	24.81
MBT-180X5X1.9	180	190	1.9	26.77
MBT-180X5X2.5	180	190	2.5	45.30
MBT-185X5X1.9	185	195	1.9	27.16
MBT-190X5X1.9	190	200	1.9	27.99
MBT-195X5X1.9	195	205	1.9	28.73

STYLE MBT BACK-UP RINGS

Part Number	A Nom. ID	B Nom. OD	C Nom. Ht	List Price
MBT-200X5X1.9	200	210	1.9	29.55
MBT-210X5X1.9	210	220	1.9	30.77
MBT-214X5X1.9	214	224	1.9	37.61
MBT-215X5X1.9	215	225	1.9	38.48
MBT-220X5X1.9	220	230	1.9	32.24
MBT-230X5X1.9	230	240	1.9	33.51
MBT-240X5X1.9	240	250	1.9	35.41
MBT-250X5X1.9	250	260	1.9	36.65
MBT-260X5X1.9	260	270	1.9	38.16
MBT-270X5X1.9	270	280	1.9	41.96
MBT-275X5X1.9	275	285	1.9	44.87
MBT-280X5X1.9	280	290	1.9	48.44
MBT-290X5X1.9	290	300	1.9	52.18
MBT-300X5X1.9	300	310	1.9	67.29
6mm C/S				
MBT-325X6X3.5	325	337	3.5	\$103.14
6.5mm C/S				
MBT-72X6.5X2.5	72	85	2.5	\$16.92
MBT-80X6.5X2.5	80	93	2.5	14.15
7.4mm C/S				
MBT-100X7.5X2.5SB	100	114.8	2.5	\$23.68
7.5mm C/S				
MBT-95X7.5X3GM	95	110	3	\$35.10
MBT-112X7.5X3SCG	112	127	3	42.51
MBT-150X7.5X2.75	150	165	2.75	44.01
MBT-155X7.5X2.75	155	170	2.75	45.24
MBT-160X7.5X2.75	160	175	2.75	46.39
MBT-165X7.5X2.75	165	180	2.75	46.39
MBT-170X7.5X2.75	170	185	2.75	50.88
MBT-175X7.5X2.75	175	190	2.75	52.51
MBT-180X7.5X2.75	180	195	2.75	53.73
MBT-185X7.5X2.75	185	200	2.75	54.85
MBT-190X7.5X2.75	190	205	2.75	55.51
MBT-195X7.5X2.75	195	210	2.75	56.57
MBT-200X7.5X2.75	200	215	2.75	57.54
MBT-205X7.5X2.75	205	220	2.75	57.54
MBT-209X7.5X2.75	209	224	2.75	57.54
MBT-210X7.5X2.5	210	225	2.5	74.39
MBT-210X7.5X2.75	210	225	2.75	60.26
MBT-235X7.5X2.75	235	250	2.75	67.70
MBT-240X7.5X2.75	240	255	2.75	68.92
MBT-245X7.5X2.75	245	260	2.75	70.47
MBT-255X7.5X2.75	255	270	2.75	73.24
MBT-265X7.5X2.75	265	280	2.75	76.01
MBT-275X7.5X2.75	275	290	2.75	78.74
MBT-280X7.5X2.75	280	295	2.75	80.33
MBT-285X7.5X2.75	285	300	2.75	81.10
MBT-300X7.5X2.75	300	315	2.75	85.07
7.88mm C/S				
MBT-54X7.88X3	54.04	69.8	3	\$18.80
12.5mm C/S				
MBT-170X12.5X4SB	170	195	4	\$64.22
MBT-180X12.5X4SB	180	205	4	128.74

Seal color may vary. Special order sizes are available. Sizes not shown and out of stock items can also be ordered for next day delivery through Seals On Demand, our custom seal program. Please call your regional sales team for assistance.

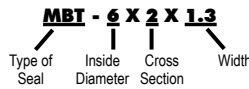
STYLE MBU BACK-UP RINGS



NOTE:

50D Urethane is 50 shore D
60D Urethane is 60 shore D
70D Urethane is 70 shore D

HERCULES PART NUMBERS



SEAL INFORMATION

MATERIAL	95A DUROMETER URETHANE
TEMPERATURE RANGE	-40° TO +200° F

BACK-UP RINGS

Part Number	A Nom. ID	B Nom. OD	C Nom. Ht	List Price
2mm C/S				
MBU-6X2X1.3	6	10	1.3	\$2.87
MBU-14X2X1.3	14	18	1.3	0.68
MBU-16X2X1.3	16	20	1.3	2.17
MBU-28X2X1.2	28	32	1.2	0.88
2.4mm C/S				
MBU-50.2X2.4X1.25-70D	50	54.8	1.25	\$7.09
MBU-55X2.4X1.25-70D	55	59.8	1.25	7.43
MBU-60.5X2.4X1.25-70D	60.5	65.3	1.25	7.27
MBU-71X2.4X1.3-70D	71	75.8	1.3	3.02
MBU-81X2.4X1.3-70D	81	85.8	1.3	3.62
MBU-86X2.4X1.3-70D	86	90.8	1.3	4.01
MBU-96X2.4X1.3-70D	96	100.8	1.3	9.63
MBU-105X2.4X1.25-70D	105	109.8	1.25	53.93
MBU-106X2.4X1.3-70D	106	110.8	1.3	6.10
MBU-115.7X2.4X1.25-70D	115.7	120.5	1.25	53.93
MBU-121X2.4X1.3-70D	121	125.8	1.3	5.75
MBU-126X2.4X1.3-70D	126	130.8	1.3	7.84
MBU-134.9X2.4X1.5-70D	134.9	139.7	1.5	20.18
MBU-135.6X2.4X1.25-70D	135.6	140.4	1.25	20.18
MBU-140.8X2.4X1.3-70D	140.8	145.6	1.3	20.18
2.5mm C/S				
MBU-25X2.5X1.3	25	30	1.3	\$0.90
MBU-27X2.5X1.3	27	32	1.3	0.88
MBU-30X2.5X1.3	30	35	1.3	0.86
MBU-33X2.5X1.5	33	38	1.5	0.88
MBU-35X2.5X1.25-70D	35	40	1.25	2.97
MBU-35X2.5X1.3	35	40	1.3	0.90
MBU-37X2.5X1.3	37	42	1.3	0.93
MBU-40X2.5X1.3	40	45	1.3	0.96
MBU-40X2.5X1.3-70D	40	45	1.3	2.00
MBU-43X2.5X1.3	43	48	1.3	1.00
MBU-45X2.5X1.3	45	50	1.3	1.03
MBU-45X2.5X1.3-70D	45	50	1.3	7.59
MBU-47X2.5X1.3	47	52	1.3	8.10
MBU-47X2.5X1.3-70D	47	52	1.3	8.84
MBU-50X2.5X1.3	50	55	1.3	1.07
MBU-52X2.5X1.5-60D	52	57	1.5	2.42
MBU-52X2.5X1.6-70D	52	57	1.6	2.21
MBU-55X2.5X1.3	55	60	1.3	1.28
MBU-55X2.5X1.6-60D	55	60	1.6	2.45
MBU-57X2.5X1.5-60D	57	62	1.5	2.47
MBU-58X2.5X1.3	58	63	1.3	1.30
MBU-60.13X2.5X1.27-70D	60	65	1.3	5.38
MBU-60X2.5X1.3	60	65	1.3	1.41
MBU-60X2.5X1.5-70D	60	65	1.5	2.34

Part Number	A Nom. ID	B Nom. OD	C Nom. Ht	List Price
MBU-62X2.5X1.3	62	67	1.3	1.60
MBU-62X2.5X1.65-70D	62	67	1.65	2.44
MBU-65X2.5X1.25-70D	65	70	1.25	6.05
MBU-65X2.5X1.3	65	70	1.3	1.83
MBU-66X2.5X1.27-70D	66	71	1.3	7.87
MBU-67X2.5X1.5-60D	67	72	1.5	2.51
MBU-70X2.5X1.3	70	75	1.3	1.61
MBU-70X2.5X1.3-70D	70	75	1.3	2.92
MBU-72X2.5X1.5-60D	72	77	1.5	2.64
MBU-72X2.5X1.6-70D	72	77	1.6	3.07
MBU-72.5X2.5X1.3	72.5	77.5	1.3	6.09
MBU-75X2.5X1.25-70D	75	80	1.25	3.72
MBU-75X2.5X1.3	75	80	1.3	1.47
MBU-75X2.5X2.25	75	80	2.25	2.37
MBU-76X2.5X1.3-70D	76	81	1.3	2.37
MBU-77X2.5X1.5-60D	77	82	1.5	2.64
MBU-77X2.5X1.6-70D	77	82	1.6	3.38
MBU-80X2.5X1.3	80	85	1.3	1.55
MBU-82X2.5X1.5-60D	82	85	1.5	2.42
MBU-85X2.5X1.25-70D	85	90	1.25	3.89
MBU-85X2.5X1.3	85	90	1.3	1.63
MBU-87X2.5X1.5	87	92	1.5	1.45
MBU-87X2.5X1.5-60D	87	92	1.5	2.74
MBU-90X2.5X1.25-70D	90	95	1.25	4.21
MBU-90X2.5X1.3	90	95	1.3	1.68
MBU-90X2.5X1.5-60D	90	95	1.5	2.77
MBU-91X2.5X1.3-70D	91	96	1.3	4.26
MBU-92X2.5X1.5-60D	92	97	1.5	2.82
MBU-92X2.5X1.6-70D	92	97	1.6	4.38
MBU-92.5X2.5X2.1	92.5	97.5	2.1	8.34
MBU-95X2.5X1.25-70D	95	100	1.25	4.56
MBU-95X2.5X1.3	95	100	1.3	1.68
MBU-97X2.5X1.5-60D	97	102	1.5	2.85
MBU-98X2.5X1.3	98	103	1.3	1.75
MBU-100X2.5X1.25-70D	100	105	1.25	4.86
MBU-100X2.5X1.3	100	105	1.3	1.77
MBU-102X2.5X1.5-60D	102	107	1.5	2.64
MBU-105X2.5X1.3	105	110	1.3	2.17
MBU-105X2.5X1.6-60D	105	110	1.6	3.15
MBU-107X2.5X1.5-60D	107	112	1.5	2.97
MBU-110X2.5X1.25-70D	110	115	1.25	7.35
MBU-110X2.5X1.3	110	115	1.3	2.58
MBU-110X2.5X1.5	110	115	1.5	1.90
MBU-112X2.5X1.5-70D	112	117	1.5	34.56
MBU-115X2.5X1.3	115	120	1.3	2.64
MBU-115X2.5X1.6-60D	115	120	1.6	3.32
MBU-119.6X2.5X1.5-70D	119.6	124.6	1.5	20.18

STYLE MBU BACK-UP RINGS

BACK-UP RINGS

Part Number	A Nom. ID	B Nom. OD	C Nom. Ht	List Price
MBU-120X2.5X1.25-70D	120	125	1.25	5.68
MBU-120X2.5X1.3	120	125	1.3	2.88
MBU-121X2.5X1.3-70D	121	126	1.3	9.10
MBU-125X2.5X1.25-70D	125	130	1.25	7.76
MBU-125X2.5X1.3	125	130	1.3	2.64
MBU-125X2.5X1.5	125	130	1.5	2.03
MBU-129.7X2.5X1.5-70D	129.7	134.7	1.5	20.18
MBU-130X2.5X1.25-70D	130	135	1.25	4.65
MBU-130X2.5X1.3	130	135	1.3	2.40
MBU-135X2.5X1.5	135	140	1.5	3.01
MBU-139.7X2.5X1.5-70D	139.7	144.7	1.5	20.18
MBU-140X2.5X1.3	140	145	1.3	2.78
MBU-146X2.5X1.3-70D	146	151	1.3	3.22
2.55mm C/S				
MBU-94.6X2.55X1	94.6	99.7	1	\$6.46
3mm C/S				
MBU-42.5X3X1.3-70D	42.5	48.5	1.3	\$2.03
MBU-53.3X3X1	53.3	59.3	1	1.41
3.1mm C/S				
MBU-68.2X3.1X1.45	68.2	74.4	1.45	\$30.38
3.5mm C/S				
MBU-47X3.5X1.1	47	54	1.1	\$9.24
MBU-56X3.5X1.25	56	63	1.25	29.85
MBU-66X3.5X1.2	66	73	1.2	4.54
MBU-72X3.5X1.25	72	79	1.25	29.15
MBU-76X3.5X1.1	76	83	1.1	4.26
4.4mm C/S				
MBU-131X4.4X1.94-70D	131	139.8	1.935	\$11.47
MBU-132X4.4X1.94-70D	132	140.8	1.935	11.94
4.5mm C/S				
MBU-162X4.5X1.9-70D	162	171	1.9	\$67.41
4.6mm C/S				
MBU-151X4.6X1.9-70D	151	160.2	1.9	\$9.23
4.9mm C/S				
MBU-65.5X4.9X1.9-70D	65.5	75.3	1.9	\$35.00
MBU-70X4.9X1.9-70D	70	79.8	1.9	11.18
MBU-80X4.9X1.9-70D	80	89.8	1.9	7.10
MBU-85X4.9X1.9-70D	85	94.8	1.9	11.75
MBU-90X4.9X1.9-70D	90	99.8	1.9	6.49
MBU-110X4.9X1.9-70D	110	119.8	1.9	64.20
MBU-121X4.9X1.9-70D	121	130.8	1.9	8.84
MBU-126X4.9X1.9-70D	126	135.8	1.9	7.84
MBU-130X4.9X1.9-70D	130	140	1.9	7.16
MBU-141X4.9X1.9-70D	141	150.8	1.9	10.20
MBU-151X4.9X1.9-70D	151	160.8	1.9	30.92
MBU-176X4.9X1.9-70D	176	185.8	1.9	39.86
MBU-201X4.9X1.9-70DS	201	210.8	1.9	40.42
5mm C/S				
MBU-35X5X3.05-70D	35	45	3.05	\$4.76
MBU-50X5X1.7	50	60	1.7	1.77
MBU-53X5X1.7	53	63	1.7	1.61
MBU-55X5X1.7	55	65	1.7	1.87
MBU-60X5X1.7	60	70	1.7	1.75
MBU-75X4.9X1.5-70D	75	85	1.5	41.90

Part Number	A Nom. ID	B Nom. OD	C Nom. Ht	List Price
MBU-75X5X1.7	75	85	1.7	3.91
MBU-77X5X1.7	77	87	1.7	3.32
MBU-78X5X1.7	78	88	1.7	2.28
MBU-85X5X1.7	85	95	1.7	2.77
MBU-90X5X1.7	90	100	1.7	2.57
MBU-95X5X1.7	95	105	1.7	2.64
MBU-100X5X1.7	100	110	1.7	2.67
MBU-110X5X1.7	110	120	1.7	3.59
MBU-115X5X1.7	115	125	1.7	3.69
MBU-120X5X1.7	120	130	1.7	4.14
MBU-130X5X1.7	130	140	1.7	3.84
MBU-135X5X1.7	135	145	1.7	29.74
MBU-140X5X1.7	140	150	1.7	3.92
MBU-145X5X1.7	145	155	1.7	4.49
MBU-150X5X1.7	150	160	1.7	4.07
MBU-155X5X1.7	155	165	1.7	6.48
MBU-160X5X1.7	160	170	1.7	7.40
MBU-160X5X2.5-70D	160	170	2.5	11.34
MBU-170X5X1.7	170	180	1.7	7.43
MBU-170X5X2.5-70D	170	180	2.5	9.39
MBU-175X5X1.7	175	185	1.7	63.28
MBU-175X5X1.9	175	185	1.9	7.70
MBU-180X5X1.7	180	190	1.7	7.69
MBU-180X5X2.5-70D	180	190	2.5	13.95
MBU-190X5X1.7	190	200	1.7	7.72
MBU-190X5X2.65-70D	190	200	2.65	15.43
MBU-204.5X5X2.55-70D	204.5	214.5	2.55	15.76
MBU-215X5X2.5-70D	215	225	2.5	15.96
MBU-220X5X2.5-70D	219.5	229.5	2.5	35.91
MBU-245X5X2	245	255	2	13.54
MBU-250X5X2.5-70D	249.5	259.5	2.5	48.65
7.1mm C/S				
MBU-215X7.1X2.1	215	229.2	2.1	\$7.82
MBU-235X7.1X2.1	235	249.2	2.1	10.13
MBU-245X7.1X2.1	245	259.2	2.1	10.90
7.5mm C/S				
MBU-60X7.5X1.7	60	75	1.7	\$3.31
MBU-145X7.5X2.5	145	160	2.5	5.82
MBU-155X7.5X1.7	155	170	1.7	24.52
MBU-165X7.5X2.1	165	180	2.1	8.13
MBU-175X7.5X2.1	175	190	2.1	7.05
MBU-185.1X7.5X2.1-70D	185	200	2.1	13.95
MBU-185X7.5X2.5	185	200	2.1	7.86
MBU-195X7.5X2.1	195	210	2.1	8.93
MBU-205X7.5X2.1	205	220	2.1	13.09
MBU-215X7.5X2.8-70D	214.6	229.6	2.8	76.48
MBU-225X7.5X2.8-70D	225	240	2.8	37.08
MBU-225.3X7.5X2.1	225.3	240	2.1	14.08
MBU-245X7.5X2.8-70D	245	260	2.8	100.35
10mm C/S				
MBU-140X10X4-70D	140	160	4	\$52.12
MBU-160X10X4-70D	160	180	4	78.67

Seal color may vary. Special order sizes are available. Sizes not shown and out of stock items can also be ordered for next day delivery through Seals On Demand, our custom seal program. Please call your regional sales team for assistance.

LOCK WIRE AND RETAINER RINGS

Lock Wire

Part Number	Sale Unit	LENGTH	th THICKNESS	List Price
MLW-2	BY THE INCH	N/A	2.00	\$0.47
MLW-3	IN 250mm SECTIONS	250.00	3.00	19.51

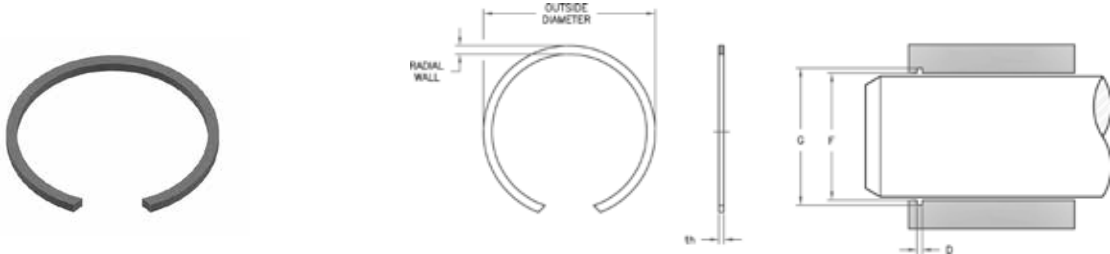
Note - The profile is round.

Spiral Type Retainer Rings



Part Number	J BORE DIAMETER	OUTSIDE DIAMETER	th THICKNESS	RADIAL WALL	List Price
MSL-32	32.00	34.50	.80	3.00	\$15.16
MSL-34	34.00	36.30	.62	2.70	15.90
MSL-54	52.00	54.80	.80	3.00	17.68
MSL-58	58.00	60.30	1.50	2.30	18.41
MSL-75	75.00	75.50	1.00	4.00	19.49
MSL-74	74.00	77.50	1.00	3.50	34.73

Internal Retainer Rings



Part Number	D GROOVE WIDTH	F THROAT DIAMETER	G HOUSING DIAMETER	OUTSIDE DIAMETER	th THICKNESS	RADIAL WALL	List Price
MNAN-053X2.3X1.5	1.60	53.00	54.50 ^{+0.19} / _{+0.00}	55.30	1.50 ^{+0.00} / _{-0.10}	2.30 ^{+0.00} / _{-0.10}	\$12.99
MNAN-037X2.3X1.5	1.60	37.00	38.20 ^{+0.16} / _{+0.00}	38.80	1.50 ^{+0.00} / _{-0.10}	2.30 ^{+0.00} / _{-0.10}	13.17
MNAN-038	1.60	38.00	39.20 ^{+0.16} / _{+0.00}	39.80	1.50 ^{+0.00} / _{-0.10}	2.30 ^{+0.00} / _{-0.10}	12.64
MNAN-045	1.60	45.00	46.20 ^{+0.16} / _{+0.00}	46.80	1.50 ^{+0.00} / _{-0.10}	2.30 ^{+0.00} / _{-0.10}	14.37
MNAN-058	1.60	58.00	59.50 ^{+0.19} / _{+0.00}	60.30	1.50 ^{+0.00} / _{-0.10}	2.30 ^{+0.00} / _{-0.10}	17.59
MNAN-058X3.5X2	2.20	58.00	58.00 ^{+0.19} / _{+0.00}	61.35	2.00 ^{+0.00} / _{-0.10}	3.50 ^{+0.00} / _{-0.10}	30.84
MNAN-060X2.3X1.5	1.60	60.00	61.50 ^{+0.19} / _{+0.00}	62.30	1.50 ^{+0.00} / _{-0.10}	2.30 ^{+0.00} / _{-0.10}	11.56
MNAN-063X3.5X2	2.20	63.00	63.00 ^{+0.19} / _{+0.00}	67.10	2.00 ^{+0.00} / _{-0.10}	3.50 ^{+0.00} / _{-0.10}	30.92
MNAN-071	2.10	71.00	73.30 ^{+0.22} / _{+0.00}	74.10	2.00 ^{+0.00} / _{-0.10}	3.50 ^{+0.00} / _{-0.10}	37.85
MNAN-076	2.10	76.00	78.30 ^{+0.22} / _{+0.00}	79.10	2.00 ^{+0.00} / _{-0.10}	3.50	44.35
MNAN-081	2.15	81.00	82.70 ^{+0.22} / _{+0.00}	83.70	1.95 ± 0.05	3.45 ± 0.05	42.92
MNAN-083	2.20	83.00	84.80 ^{+0.22} / _{+0.00}	85.60	2.00 ^{+0.00} / _{-0.10}	2.80 ^{+0.00} / _{-0.10}	14.09
MNAN-086	2.15	86.00	87.90 ^{+0.22} / _{+0.00}	88.90	1.95 ± 0.05	3.45 ± 0.05	42.92
MNAN-091	2.15	91.00	93.10 ^{+0.22} / _{+0.00}	94.10	1.95 ± 0.05	3.45 ± 0.05	42.92
MNAN-102	2.70	102.00	104.30 ^{+0.22} / _{+0.00}	105.30	2.50 ^{+0.00} / _{-0.10}	3.40 ^{+0.00} / _{-0.10}	14.16
MNAN-117	2.70	117.00	119.30 ^{+0.22} / _{+0.00}	120.40	2.50 ^{+0.00} / _{-0.10}	3.40 ^{+0.00} / _{-0.10}	19.20

RETAINER RINGS

Internal Retainer Rings



Part Number	D GROOVE WIDTH	F THROAT DIAMETER	G HOUSING DIAMETER	OUTSIDE DIAMETER	th THICKNESS	List Price
M300-28	1.30 ^{+0.15} / _{+0.00}	28.00	29.39 ^{+0.20} / _{+0.00}	30.10 ^{+0.51} / _{-0.25}	1.19 ^{+0.00} / _{-0.05}	\$ 1.08
M300-30	1.30 ^{+0.15} / _{+0.00}	30.00	31.39 ^{+0.25} / _{+0.00}	32.11 ^{+0.51} / _{-0.25}	1.19 ^{+0.00} / _{-0.05}	1.77
M300-32	1.30 ^{+0.15} / _{+0.00}	32.00	33.71 ^{+0.25} / _{+0.00}	34.39 ^{+0.51} / _{-0.25}	1.19 ^{+0.00} / _{-0.05}	4.66
M300-42	1.85 ^{+0.15} / _{+0.00}	42.00	44.50 ^{+0.25} / _{+0.00}	45.49 ^{+0.89} / _{-0.38}	1.75 ^{+0.00} / _{-0.05}	6.47
M300-45	1.85 ^{+0.15} / _{+0.00}	45.00	47.50 ^{+0.25} / _{+0.00}	48.49 ^{+0.89} / _{-0.38}	1.75 ^{+0.00} / _{-0.05}	6.94
M300-47	1.85 ^{+0.15} / _{+0.00}	47.00	49.50 ^{+0.25} / _{+0.00}	50.50 ^{+1.09} / _{-0.46}	1.75 ^{+0.00} / _{-0.05}	7.05
M300-48	1.85 ^{+0.15} / _{+0.00}	48.00	50.50 ^{+0.30} / _{+0.00}	51.51 ^{+1.09} / _{-0.46}	1.75 ^{+0.00} / _{-0.05}	7.05
M300-50	2.16 ^{+0.15} / _{+0.00}	50.00	53.01 ^{+0.30} / _{+0.00}	54.20 ^{+1.09} / _{-0.46}	2.01 ^{+0.00} / _{-0.08}	7.19
M300-52	2.16 ^{+0.15} / _{+0.00}	52.00	54.99 ^{+0.30} / _{+0.00}	56.21 ^{+1.09} / _{-0.46}	2.01 ^{+0.00} / _{-0.08}	7.75
M300-55	2.16 ^{+0.15} / _{+0.00}	55.00	57.99 ^{+0.30} / _{+0.00}	59.21 ^{+1.09} / _{-0.46}	2.01 ^{+0.00} / _{-0.08}	7.48
M300-60	2.16 ^{+0.15} / _{+0.00}	60.00	62.99 ^{+0.30} / _{+0.00}	64.21 ^{+1.09} / _{-0.46}	2.01 ^{+0.00} / _{-0.08}	7.91
M300-62	2.16 ^{+0.15} / _{+0.00}	62.00	65.00 ^{+0.30} / _{+0.00}	66.19 ^{+1.09} / _{-0.46}	2.01 ^{+0.00} / _{-0.08}	8.16
M300-65	2.64 ^{+0.15} / _{+0.00}	65.00	68.00 ^{+0.30} / _{+0.00}	69.19 ^{+1.09} / _{-0.46}	2.49 ^{+0.00} / _{-0.08}	3.48
M300-70	2.64 ^{+0.15} / _{+0.00}	70.00	73.00 ^{+0.30} / _{+0.00}	74.50 ^{+1.09} / _{-0.46}	2.49 ^{+0.00} / _{-0.08}	3.66
M300-72	2.64 ^{+0.15} / _{+0.00}	72.00	75.01 ^{+0.30} / _{+0.00}	76.50 ^{+1.09} / _{-0.46}	2.49 ^{+0.00} / _{-0.08}	9.47
M300-75	2.65 ^{+0.14} / _{-0.01}	75.00	78.00 ^{+0.30} / _{+0.00}	79.50 ^{+1.10} / _{-0.45}	2.50 ^{+0.00} / _{-0.07}	8.96
M300-80	2.64 ^{+0.15} / _{+0.00}	80.00	83.49 ^{+0.36} / _{+0.00}	85.50 ^{+1.30} / _{-0.53}	2.49 ^{+0.00} / _{-0.08}	13.07
M300-82	2.64 ^{+0.15} / _{+0.00}	82.00	85.50 ^{+0.36} / _{+0.00}	87.50 ^{+1.30} / _{-0.53}	2.49 ^{+0.00} / _{-0.08}	13.21
M300-130	4.14 ^{+0.18} / _{+0.00}	130.00	134.01 ^{+0.64} / _{+0.00}	137.01 ^{+1.50} / _{-0.64}	4.00 ^{+0.00} / _{-0.10}	21.01

COMBINATION SNAP RING PLIER SET

Part Number: SR PLIER 4PC SET
Net Price: \$23.49

- Effective Range 10-50mm (3/8" - 2.00")
- Combination Internal - External snap ring plier set
- Set comes with 180°, 90°, 45°, 3 piece convertible tips.
- Jaws can be exchanged easily for 6 internal - external different purposes



INTERNAL PLIERS

Part Number: 5R INT PLIER
Net Price: \$66.33

Part Number: 7R INT PLIER
Net Price: \$104.76

*5R INT Plier is an internal plier with a .090° DIA, 0°
 - Effective Range 45-89mm (1.81" - 3-1/2")

*7R INT Plier is a large internal plier with a .120° DIA, 0°
 - Effective Range 77-152mm (3.06" - 6.00")



RETAINER RINGS

External Retainer Rings



Part Number	D GROOVE WIDTH	E SHAFT DIAMETER	H GROOVE DIAMETER	INSIDE DIAMETER	th THICKNESS	List Price
M310-13	1.10 ^{+0.14} / _{+0.00}	13.00	12.40 ^{+0.00} / _{-0.11}	11.90 ^{+0.18} / _{-0.36}	1.00 ^{+0.00} / _{-0.06}	\$3.74
M310-14	1.10 ^{+0.14} / _{+0.00}	14.00	13.40 ^{+0.00} / _{-0.11}	12.90 ^{+0.18} / _{-0.36}	1.00 ^{+0.00} / _{-0.06}	3.74
M310-25	1.30 ^{+0.14} / _{+0.00}	25.00	23.90 ^{+0.00} / _{-0.21}	23.20 ^{+0.21} / _{-0.42}	1.20 ^{+0.00} / _{-0.06}	4.01
M310-28	1.60 ^{+0.14} / _{+0.00}	28.00	26.60 ^{+0.00} / _{-0.21}	25.90 ^{+0.21} / _{-0.42}	1.50 ^{+0.00} / _{-0.06}	4.57
M310-30	1.60 ^{+0.14} / _{+0.00}	30.00	28.60 ^{+0.00} / _{-0.21}	27.90 ^{+0.21} / _{-0.42}	1.50 ^{+0.00} / _{-0.06}	5.14
M310-35	1.60 ^{+0.14} / _{+0.00}	35.00	33.00 ^{+0.00} / _{-0.25}	32.20 ^{+0.25} / _{-0.50}	1.50 ^{+0.00} / _{-0.06}	2.07
M310-40DST	1.85 ^{+0.14} / _{+0.00}	40.00	37.50 ^{+0.39} / _{-0.90}	36.50 ^{+0.39} / _{-0.90}	1.75 ^{+0.00} / _{-0.06}	3.03
M310-45	1.85 ^{+0.14} / _{+0.00}	45.00	42.50 ^{+0.00} / _{-0.25}	41.50 ^{+0.39} / _{-0.90}	1.75 ^{+0.00} / _{-0.06}	7.91
M310-47	1.85 ^{+0.14} / _{+0.00}	47.00	44.50 ^{+0.00} / _{-0.25}	43.50 ^{+0.39} / _{-0.90}	1.75 ^{+0.00} / _{-0.06}	2.67
M310-50	2.15 ^{+0.14} / _{+0.00}	50.00	47.00 ^{+0.00} / _{-0.25}	45.80 ^{+0.39} / _{-0.90}	2.00 ^{+0.00} / _{-0.06}	10.08
M310-60	2.15 ^{+0.14} / _{+0.00}	60.00	57.00 ^{+0.00} / _{-0.30}	55.80 ^{+0.46} / _{-1.10}	2.00 ^{+0.00} / _{-0.06}	10.82
M310-65	2.65 ^{+0.14} / _{+0.00}	65.00	62.00 ^{+0.00} / _{-0.30}	60.80 ^{+0.46} / _{-1.10}	2.50 ^{+0.00} / _{-0.06}	5.90
M310-70	2.65 ^{+0.14} / _{+0.00}	70.00	67.00 ^{+0.00} / _{-0.30}	65.50 ^{+0.46} / _{-1.10}	2.50 ^{+0.00} / _{-0.06}	6.72
M310-75	2.65 ^{+0.14} / _{+0.00}	75.00	72.00 ^{+0.00} / _{-0.30}	70.50 ^{+0.46} / _{-1.10}	2.50 ^{+0.00} / _{-0.06}	4.28
MXAN-080	3.53 ^{+0.15} / _{+0.00}	80.00	75.67 ±0.15	74.83 ^{+0.00} / _{-1.57}	3.18 ±0.05	28.15
M310-95	3.15 ^{+0.18} / _{+0.00}	95.00	91.50 ^{+0.00} / _{-0.35}	89.50 ^{+0.46} / _{-1.10}	3.00 ^{+0.00} / _{-0.06}	12.17

COMBINATION SNAP RING PLIER SET

Part Number: SR PLIER 4PC SET
Net Price: \$23.49

- Effective Range 10-50mm (3/8" - 2.00")
- Combination Internal - External snapping plier set
- Set comes with 180°, 90°, 45°, 3 piece convertible tips.
- Jaws can be exchanged easily for 6 internal - external different purposes



EXTERNAL PLIERS

Part Number: 66R EXT PLIER
Net Price: \$66.33

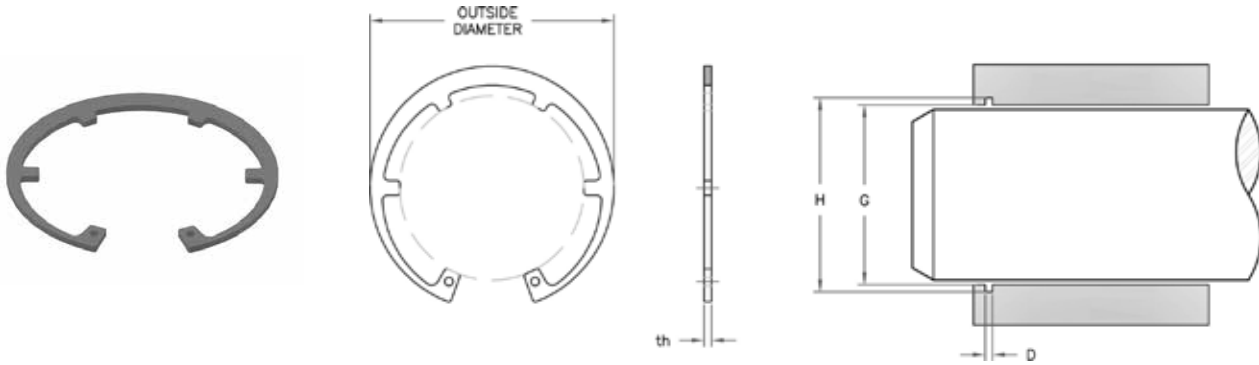
Part Number: 8R EXT PLIER
Net Price: \$120.90

*66R EXT Plier is an external plier with a .115° DIA, 0°
 - Effective Range 45-89mm (1.81" - 3-1/2")

*8R EXT Plier is an external plier with a 120° DIA, 0° NO TIPS / 7801R
 - Effective Range 90-165mm (3.54" - 6.50")



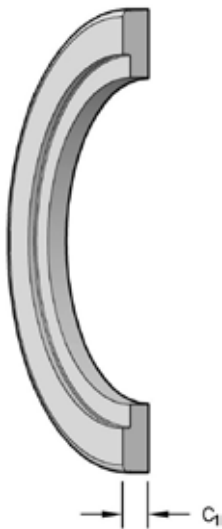
DHT STYLE INTERNAL RETAINER RINGS



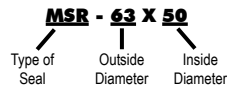
Part Number	D GROOVE WIDTH	G HOUSING DIAMETER	H GROOVE DIAMETER	OUTSIDE DIAMETER	th THICKNESS	List Price
M300-35DHT	1.60	35.00	37.00 +0.25 +0.00	37.80 +0.50 -0.25	1.50 +0.00 -0.06	\$4.62
M300-40DHT	1.85	40.00	42.50 +0.25 +0.00	43.50 +0.90 -0.39	1.75 +0.00 -0.06	6.94
M300-52DHT	2.15	52.00	55.00 +0.30 +0.00	56.20 +1.10 -0.46	2.00 +0.00 -0.07	9.23
M300-62DHT	2.15	62.00	65.00 +0.30 +0.00	66.20 +1.10 -0.46	2.00 +0.00 -0.07	13.85
M300-72DHT	2.65	72.00	75.00 +0.30 +0.00	76.50 +1.10 -0.46	2.50 +0.00 -0.07	13.85

STYLE MSR U-SEAL RETAINER RINGS

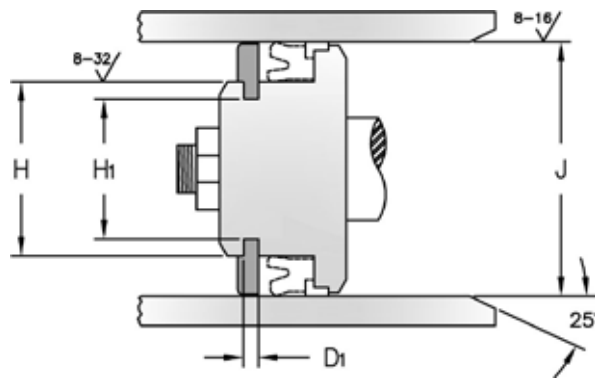
These rings are split for ease of installation and are retained in a groove. Their use is primarily to retain single acting piston seals. Commonly are used with MUFN style piston seals.



HERCULES PART NUMBERS



SEAL INFORMATION	
MATERIAL	ACETAL
TEMPERATURE RANGE	-22° TO +212° F



Part Number	C ₁ OVERALL HEIGHT	D ₁ BEARING GROOVE WIDTH	H GROOVE DIAMETER	H ₁ BEARING GROOVE DIAMETER	J BORE DIAMETER	List Price
MSR-63X50	6.48 ±0.13	3.30 +0.13 +0.00	50.00	45.80	63.00	\$7.76
MSR-70X50	6.48 ±0.13	3.30 +0.13 +0.00	50.00	45.80	70.00	7.22
MSR-90X70	6.48 ±0.13	3.30 +0.13 +0.00	70.00	65.80	90.00	8.98
MSR-104.5X85	6.48 ±0.13	3.30 +0.13 +0.00	85.00	80.80	104.50	15.54
MSR-105X85	6.48 ±0.13	4.60 +0.13 +0.00	85.00	80.80	105.00	14.01
MSR-110X90	6.48 ±0.13	3.30 +0.13 +0.00	90.00	85.80	110.00	15.19

NOTES

NOTES

Repair Accessories

Contents	Page
Plastic Cap Plugs	814 - 818
Bolted Split Flange Protectors	818
Face and Thread Seals	819 - 820
Connector Rings	821
Wave Springs and Carbon Steel Shims	822 - 823
Lock Nuts	824 - 825
Self Aligning Bearings	826 - 827
Set Screws and Wind-In Lock Wires	828
Nylon and Filter Vent Plugs	828
Steel Plugs and Vents	829
Manual Bleeder Valves	829
Port Plugs	830 - 831
Split Tension Bushings	831
Adhesives and Seal Lube	832
PTFE and Silicone Tape	833
Grease Fittings and Caps	833
Cotter Pins	833
Nitrile Gloves	834
Couplings	834



Scan for:
Repair Accessories
on our website

PLASTIC CAP PLUGS

CAP PLUG APPLICATION CHART

CAP-	NPT		INCH THREAD		METRIC THREAD	
	CAPS	PLUGS	CAPS	PLUGS	CAPS	PLUGS
00				10/32	M2,M2.5	M5
0				1/4	M3,M3.5	M6
1				5/16	M5	M8x1
1-X					M6	
2			15/64	3/8	M7	M10x1.25
2-X		1/8				
3				7/16	M8x1	M12
3-X			3/8			M12x1.25
4	1/8	1/4		1/2	M10x1.25	M14
4-X			7/16			M14x1.5
5			1/2	9/16		
5-X					M12x1.25	M16
6	1/4			5/8		
6-X		3/8	9/16			M18
7			5/8		M14x1.5	M18x1.5
7-X						
8				3/4		M20
8-X	3/8				M16x1.5	M20x1.5
9		1/2				M22
9-X			3/4			M22x1.5
10				7/8	M18x1.5	M24
11	1/2					M24x2
11-X			7/8		M20x1.5	
12		3/4				
12-X				1-1/16	M22x1.5	M27x2
13	3/4				M24x2	
13-X			1-1/16			M30x2
14		1			M27x2	M33
17		1-1/4			M36x3	
17-S				1-5/8		
18	1-1/4		1-5/8	1-3/4	M39x3	
19		1-1/2		1-7/8		
20	1-1/2		1-7/8			
20-S						
21						
220						
230			2-1/4			
24-S		2				
240	2					
250			2-1/2			

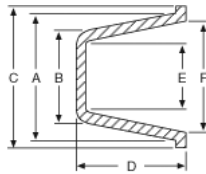


This style cap plug is equipped with a handy fold-down pull ring.

Tapered Caps & Plugs With Pull Ring

Part Number	NPT Port Size	OD Size Tapered	HT	Min Std Pkg	List Price
CAP-PR-9	1/8	.337/.375	1/4	50	\$0.20
CAP-PR-12	1/4	.436/.475	1/4	50	0.60
CAP-PR-17	3/8	.552/.615	3/8	50	0.35
CAP-PR-22	1/2	.668/.767	1/2	40	0.38
CAP-PR-27X	3/4	.878/.977	1/2	40	0.42
CAP-PR-32	1	1.113/1.212	1/2	25	0.48
CAP-PR-39	1-1/4	1.505/1.580	1/2	25	0.61
CAP-PR-43	1-1/2	1.780/1.860	1/2	20	0.67
CAP-PR-50	2	2.226/2.258	1/2	20	0.84

PLASTIC CAP PLUGS



Tapered Caps & Plugs For Misc. Applications

Part Number	A	B	C	D	E	F	List Price
CAP-00	.180	.115	5/16	13/32	.051	.118	\$0.64
CAP-0	.240	.175	3/8	3/8	.109	.175	0.64
CAP-0-X	0.275	0.209	7/16	3/8	0.150	0.209	0.13
CAP-1	.302	.240	15/32	3/8	.175	.240	0.47
CAP-1-X	.335	.265	15/32	3/8	.240	.275	0.47
CAP-2	.365	.300	17/32	3/8	.234	.301	0.47
CAP-3	.428	.360	19/32	3/8	.299	.365	0.39
CAP-3-X	.460	.390	5/8	3/8	.325	.396	0.47
CAP-4-X	.512	.447	5/8	3/8	.385	.448	0.14
CAP-5	.547	.490	23/32	1/2	.409	.485	0.13
CAP-5-X	.568	.500	3/4	7/16	.435	.503	0.42
CAP-6	.620	.531	3/4	1/2	.468	.555	0.07
CAP-6A-X	0.576	0.500	0.720	0.470	0.440	0.516	0.29
CAP-7	.675	.590	7/8	17/32	.520	.605	0.35
CAP-7-X	.695	.610	27/32	1/5	.549	.634	0.36
CAP-8	.728	.641	7/8	1/2	.575	.665	0.09
CAP-8-X	.754	.675	7/8	5/8	.615	.690	0.09
CAP-9-X	.925	.725	1	3/4	.662	.760	0.18
CAP-10	.848	.750	1-1/32	5/8	.686	.785	0.42
CAP-11	.910	.802	1-3/32	3/4	.740	.846	0.35
CAP-11-X	.931	.820	1-1/8	5/8	.754	.868	0.09
CAP-12A-X	0.973	0.856	1-1/8	3/4	0.768	0.906	0.49
CAP-13	1.091	.966	1-1/4	3/4	.902	1.025	0.35
CAP-13-X	1.145	1.002	1-5/16	3/4	.938	1.079	0.13
CAP-14-X	1.285	1.180	1-7/16	3/4	1.105	1.215	1.08
CAP-16A-X	1.312	1.276	1.380	0.560	1.155	1.190	0.65
CAP-17A-X	1.507	1.344	1-3/4	15/16	1.282	1.450	0.41
CAP-18	1.680	1.560	1-7/8	3/4	1.497	1.620	0.29
CAP-20	1.958	1.806	2.125	1	1.745	1.893	1.16
CAP-20-X	2.310	1.940	2.470	0.880	1.875	2.255	0.70
CAP-21	2.078	1.902	2-1/4	1	1.839	2.015	1.05
CAP-38	1.045	.980	1-1/4	1/2	.916	.984	0.47
CAP-220	2.132	1.980	2-1/4	1	1.915	2.068	0.66
CAP-230	2.330	2.156	2-5/8	1	2.094	2.264	1.31
CAP-240	2.465	2.300	2-5/8	1	2.235	2.400	0.61
CAP-250	2.605	2.395	2-5/8	1	2.331	2.541	0.92

Tapered Caps & Plugs For NPT Style Ports

Part Number	NPT Port Size	OD Size Tapered	HT	Min Std Pkg	List Price
CAP-2-X	1/8	.330/.396	3/8	50	\$0.13
CAP-4	1/4	.419/.485	3/8	50	0.13
CAP-6-X	3/8	.550/.631	7/16	50	0.20
CAP-9	1/2	.690/.788	9/16	50	0.20
CAP-12	3/4	.870/.975	5/8	120	0.14
CAP-12-X	3/4	.915/1.040	11/16	25	0.52
CAP-14	1	1.094/1.215	3/4	25	0.38
CAP-15	1	1.225/1.355	3/4	3	0.65
CAP-15-X	1	1.235/1.350	3/4	25	0.70
CAP-17	1-1/4	1.450/1.600	3/4	60	0.41
CAP-17-S	1-1/4	1.513/1.600	1/2	25	1.58
CAP-19	1-1/2	1.735/1.870	3/4	25	0.65
CAP-20-S	1-1/2	1.781/1.805	3/8	25	0.42
CAP-24-S	2	2.230/2.260	1/2	20	1.47

MCAP Tapered Caps & Plugs For Misc. Applications



Part Number	A mm	B mm	C mm	D mm	E mm	F mm	List Price
CAP-M10X1	13.00	11.35	15.88	10.32	9.78	11.38	\$0.14
CAP-M12X1	14.43	12.70	19.05	11.11	11.05	12.78	0.31
CAP-M12X1.5	14.63	12.70	18.29	11.94	11.18	13.11	0.29
CAP-M14X1.5	17.15	14.99	22.23	13.49	13.21	15.37	0.35
CAP-M16X1.5	19.15	17.15	22.23	15.88	15.62	17.53	0.09
CAP-M18X1.5	21.54	19.05	26.19	15.88	17.42	19.74	0.42
CAP-M20X1.5	24.71	21.74	28.58	19.05	19.51	23.01	0.49
CAP-M22X1.5	26.42	22.73	29.37	19.05	21.13	24.77	0.52
CAP-M25X1.5	29.08	25.45	33.34	19.05	23.83	27.41	0.13
CAP-M26X1.5	29.08	25.45	33.34	19.05	23.83	27.41	0.13
CAP-M27	31.12	29.19	38.50	19.05	26.37	29.97	0.38
CAP-M28X1.5	32.81	29.59	36.10	19.05	27.69	30.61	1.08
CAP-M30X2	33.32	32.41	35.05	14.22	29.34	30.23	0.65
CAP-M35	38.53	34.14	44.45	23.81	32.56	36.83	0.41
CAP-M39	42.49	39.62	47.63	19.05	38.02	41.15	0.29
CAP-M4	6.99	5.31	11.11	9.53	3.81	5.31	0.13
CAP-M42X2	44.45	40.79	49.21	19.05	39.83	42.80	0.96
CAP-M45	49.73	45.87	53.98	25.40	44.32	48.08	1.16
CAP-M48	58.67	49.28	62.74	22.35	47.63	57.28	0.70
CAP-M5	7.67	6.1	11.91	9.53	4.45	6.1	0.47
CAP-M6	8.51	6.73	11.91	9.53	5.18	6.99	0.47
CAP-M8X1	10.87	9.14	15.08	9.53	7.59	9.27	0.39

PLASTIC CAP PLUGS



Female Threaded Cap Plugs for J.I.C. Fittings

Part Number	Std Thread Size	O.D. Size Tube	Dash Size	Min Std Pkg	List Price
CAP-G-2	7/16-20	1/4	#4	20	\$0.38
CAP-G-8	9/16-18	3/8	#6	20	0.38
CAP-G-14	3/4-16	1/2	#8	20	0.42
CAP-G-18	7/8-14	5/8	#10	20	0.42
CAP-G-20	7/8-18	5/8	#10	20	0.93
CAP-G-22	1-1/16-12	3/4	#12	20	0.52
CAP-G-25	1-3/16-12	7/8	#14	20	0.61
CAP-G-27	1-5/16-12	1	#16	20	0.61



Flat Face Fitting Caps

Part Number	Tube Size OD	Thread Size	Min Std Pkg	List Price
CAP-PDF-40	1/4	9/16-18	25	\$0.60
CAP-PDF-60	3/8	11/16-16	25	0.52
CAP-PDF-80	1/2	13/16-16	25	0.90
CAP-PDF-100	5/8	1-14	20	0.62
CAP-PDF-120	3/4	1-3/16-12	20	1.22
CAP-PDF-160	1	1-7/16-12	10	3.43



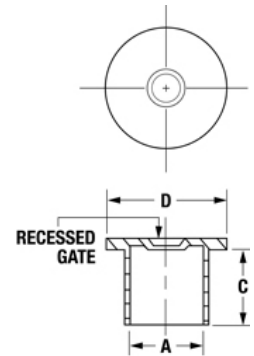
O-Ring Face Fitting Caps

These low density polyethylene caps are designed to fit female o-ring face seals.

Part Number	Thread Size	Min Std Pkg	List Price
CAP-OR-4	9/16-18	35	\$0.39
CAP-OR-6	11/16-16	25	0.44
CAP-OR-8	13/16-16	25	0.49
CAP-OR-10	1-14	25	0.61
CAP-OR-12	1-3/16-12	25	0.64
CAP-OR-16	1-7/16-12	15	1.47
CAP-OR-20	1-11/16-12	10	2.44



Unlike tear-tab closures that can only be used once, the CAP-PO series is designed to be reused. Specifically designed to protect straight threads with or without o-rings, this unique design is also ideal for use on a variety of thread forms and non-threaded fittings.



Straight Threaded Cap Plugs

Part Number	Min Std Pkg	To Cap Thread size	A	C	D	List Price
CAP-PO-20	25	7/16"	0.428	0.47	0.69	\$0.64
CAP-PO-30	25	1/2"	0.49	0.47	0.75	0.89
CAP-PO-40	25	9/16"	0.55	0.50	0.81	0.93
CAP-PO-50	25	11/16"	0.676	0.50	0.94	1.02
CAP-PO-55	25	-	0.721	0.67	1.00	1.08
CAP-PO-60	25	3/4"	0.738	0.67	1.00	1.08
CAP-PO-70	25	13/16"	0.802	0.56	1.06	1.12
CAP-PO-80	25	7/8"	0.864	0.66	1.12	1.15
CAP-PO-90	25	1.00"	0.99	0.66	1.25	1.21
CAP-PO-100	15	1-1/16"	1.051	0.75	1.31	1.28
CAP-PO-110	15	1-3/16"	1.175	0.75	1.44	1.56
CAP-PO-120	15	1-5/16"	1.298	0.75	1.56	1.76
CAP-PO-130	15	1-7/16"	1.426	0.75	1.69	2.17
CAP-PO-140	10	1-5/8"	1.12	0.85	1.88	2.40

**Cap Plug Assortment Kits
Also Available -
See the Kit & Tool Section**

PLASTIC CAP PLUGS



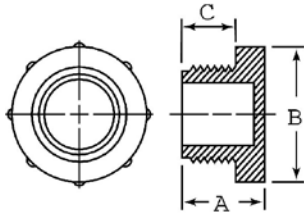
Male Threaded Pipe Plugs (Sq. Top)

Part Number	NPT Port Size	Thread Size	Min Std Pkg	List Price
CAP-P-18	1/8	0.364	25	\$0.50
CAP-P-28	1/4	0.477	25	0.38
CAP-P-38	3/8	0.612	25	0.42
CAP-P-48	1/2	0.758	25	0.42
CAP-P-68-H	3/4	0.968	25	0.48
CAP-P-88-H	1	1.214	20	1.90
CAP-TP-13	1-1/4	1.557	5	3.31
CAP-TP-15	1-1/2	1.796	5	3.31



Male Threaded Cap Plugs for Flared J.I.C. Fittings

Part Number	Std Thread Size	OD Size Tube	Dash Size	Min Std Pkg	List Price
CAP-PD-40	7/16-20	1/4	#4	25	\$0.62
CAP-PD-50	1/2-20	5/16	#5	25	0.62
CAP-PD-60	9/16-18	3/8	#6	25	0.38
CAP-PD-80	3/4-16	1/2	#8	25	0.38
CAP-PD-100	7/8-14	5/8	#10	25	0.42
CAP-PD-120	1-1/16-12	3/4	#12	25	0.42
CAP-PD-140	1-3/16-12	7/8	#14	20	0.64
CAP-PD-160	1-5/16-12	1	#16	20	0.64
CAP-PD-200	1-5/8-12	1-1/4	#20	15	0.80
CAP-PD-220	1-3/4-12	1-3/8	#22	10	2.02
CAP-PD-240	1-7/8-12	1-1/2	#24	10	1.82



Miscellaneous - MCAP- TP

Part Number	To Fit Metric Thread Size	A		B		C		Min Std Pkg	List Price
		in	mm	in	mm	in	mm		
MCAP-TP-M8X1	M8 x 1	0.562	14.27	0.484	12.29	0.374	9.50	10	\$1.07
MCAP-TP-M10X1	M10 x 1	0.574	14.58	0.602	15.29	0.409	10.39	10	1.48
MCAP-TP-M12X1	M12 x 1	0.657	16.69	0.728	18.49	0.421	10.69	10	1.58
MCAP-TP-M12X1.5	M12 x 1.5	0.641	16.28	0.657	16.69	0.342	8.69	10	1.84
MCAP-TP-M14X1.5	M14 x 1.5	0.677	17.20	0.728	18.49	0.374	9.50	10	1.95
MCAP-TP-M16X1.5	M16 x 1.5	0.677	17.20	0.866	22.00	0.492	12.50	10	1.89
MCAP-TP-M18X1.5	M18 x 1.5	0.720	18.29	0.960	24.38	0.539	13.69	10	11.53
MCAP-TP-M20X1.5	M20 x 1.5	0.716	18.19	1.035	26.29	0.551	14.00	10	1.89
MCAP-TP-M22X1.5	M22 x 1.5	0.720	18.29	1.110	28.19	0.539	13.69	10	1.89
MCAP-TP-M24X1.5	M24 x 1.5	0.728	18.49	1.232	31.29	0.543	13.79	10	2.18
MCAP-TP-M25X1.5	M25 x 1.5	0.728	18.49	1.232	31.30	0.551	14.00	5	2.40
MCAP-TP-M26X1.5	M26 x 1.5	0.736	18.69	1.287	32.69	0.543	13.79	5	2.44
MCAP-TP-M52X1.5	M52 x 1.5	0.846	21.50	2.508	63.70	0.610	15.50	5	10.99

PLASTIC CAP PLUGS



These low density polyethylene caps protect the faces of split flange connectors

Split Flange Coupling Caps - SAE CODE 61

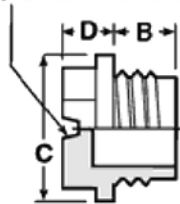
Part Number	Flange Size	Cap Size	Min Std Pkg	List Price
CAP-SF-8	1/2	1.19	50	\$0.20
CAP-SF-10	5/8	1.35	50	0.29
CAP-SF-12	3/4	1.50	50	0.35
CAP-SF-16	1	1.75	35	0.38
CAP-SF-20	1-1/4	2.00	35	0.39
CAP-SF-24	1-1/2	2.38	25	0.61
CAP-SF-32	2	2.81	15	0.81
CAP-SF-40	2-1/2	3.31	15	1.15

Split Flange Coupling Caps - SAE CODE 62

Part Number	Flange Size	Cap Size	Min Std Pkg	List Price
CAP-HPSF-8	1/2	1.25	10	\$2.03
CAP-HPSF-12	3/4	1.625	10	2.30
CAP-HPSF-16	1	1.87	10	2.35
CAP-HPSF-20	1-1/4	2.125	10	2.41
CAP-HPSF-24	1-1/2	2.5	10	2.75
CAP-HPSF-32	2	3.125	10	2.73



SCREWDRIVER SLOT



Threaded O-Ring Plugs

Part Number	Std Thread Size	B	C	D	Min Std Pkg	List Price
CAP-TF-9-OR	9/16-18	0.35	0.81	0.19	10	\$2.46
CAP-TF-12-OR	3/4-16	0.44	0.89	0.18	10	2.60

BOLTED SPLIT FLANGE PROTECTORS



3,000 PSI Flanges SAE Code 61

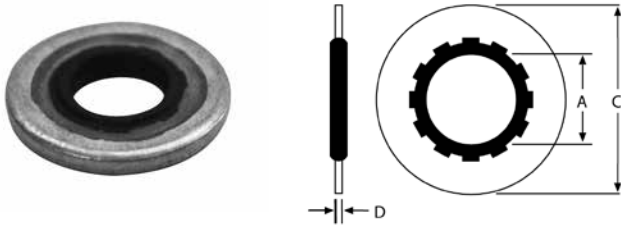
Part Number	Port Size	Min Std Pkg	List Price
CAP-8218	1/2	10	\$3.51
CAP-8219	3/4	10	2.51
CAP-8220	1	10	2.69
CAP-8221	1-1/4	10	2.85
CAP-8222	1-1/2	10	3.04
CAP-8223	2	10	3.36
CAP-8224	2-1/2	10	3.36

5,000 PSI Flanges SAE Code 62

Part Number	Port Size	Min Std Pkg	List Price
CAP-XP-075	3/4	10	\$2.51
CAP-XP-100	1	10	2.69
CAP-XP-125	1-1/4	10	2.85
CAP-XP-150	1-1/2	10	3.04
CAP-XP-200	2	10	3.36

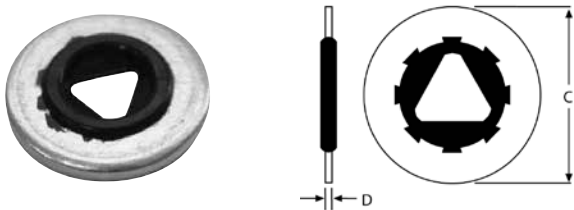
Cap Plug Assortment Kits
Also Available -
See the Kit & Tool Section

STYLE 110 FACE SEALS



Part Number	Max Screw Size	A Rubber I.D.	B Steel I.D.	C Steel O.D.	D Steel Thick.	List Price
DY-110X8	.164	.156	.255	.385	.041	\$4.90
DY-110X10	.177	.180	.317	.443	.050	3.23
DY-110X3/16	.190	.220	.281	.425	.054	6.31
DY-110X7/32	.216	.246	.307	.455	.054	22.26
DY-110X1/4	.250	.240	.381	.505	.054	3.73
DY-110X5/16	.312	.301	.488	.603	.054	4.90
DY-110X3/8	.375	.368	.546	.666	.054	5.16
DY-110X7/16	.437	.427	.618	.760	.054	9.52
DY-110X1/2	.500	.490	.696	.880	.054	10.58
DY-110X9/16	.562	.552	.759	1.067	.054	10.58
DY-110X5/8	.625	.615	.818	1.193	.054	12.93

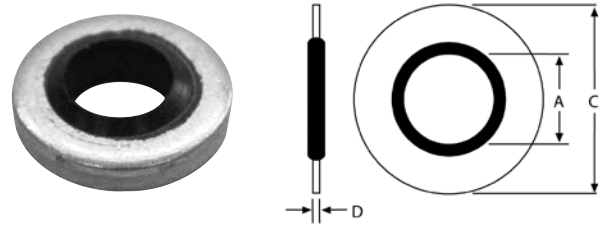
THREAD SEAL



Thread seals provide a positive seal directly against the threads of a bolt. Self-centering and easily installed.

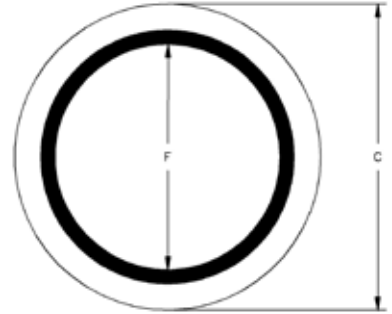
Part Number	C	D	Thread Size	List Price
TS7500X10	.469	.051	-10	\$8.64
TS7500X1/4	.562	.051	1/4	4.85
TS7500X5/16	.687	.064	5/16	9.99
TS7500X3/8	.750	.064	3/8	9.90
TS7500X7/16	.906	.078	7/16	10.42
TS7500X1/2	1.000	.078	1/2	19.50
TS7500X7/8	1.562	.109	7/8	31.94

STYLE SB FACE SEALS



Part Number	A	C	D	List Price
DY-SB-001	.115	.250	.048	\$3.26
DY-SB-002	.157	.286	.048	3.26
DY-SB-003	.205	.330	.051	2.53
DY-SB-004	.270	.520	.051	2.53
DY-SB-005	.270	.525	.048	3.59
DY-SB-006	.322	.525	.048	3.59
DY-SB-007	.340	.560	.051	2.60
DY-SB-020A	.408	.625	.083	2.76
DY-SB-008	.443	.723	.083	2.76
DY-SB-009	.460	.750	.083	2.79
DY-SB-225	.531	.866	.059	2.85
DY-SB-021B	.541	.810	.083	2.79
DY-SB-010	.585	.875	.083	3.05
DY-SB-022BB	.625	.875	.083	3.08
DY-SB-011	.650	1.000	.083	3.14
DY-SB-023C	.680	.937	.083	3.18
DY-SB-012	.715	1.000	.097	3.18
DY-SB-024CC	.775	1.060	.097	3.49
DY-SB-025D	.848	1.125	.097	3.94
DY-SB-026E	.925	1.250	.097	4.32
DY-SB-013	.955	1.310	.097	7.56
DY-SB-027F	1.065	1.375	.097	5.25
DY-SB-240	1.083	1.417	.07	5.38
DY-SB-028	1.095	1.520	.097	6.82
DY-SB-014	1.150	1.440	.092	7.45
DY-SB-029G	1.213	1.500	.097	7.93
DY-SB-015	1.280	1.630	.128	8.52
DY-SB-031	1.329	1.685	.092	9.36
DY-SB-030H	1.334	1.685	.133	7.99
DY-SB-016	1.410	1.750	.133	18.34
DY-SB-032J	1.690	2.062	.103	15.32
DY-SB-033K	1.907	2.307	.103	17.74
DY-SB-019	2.030	2.500	.128	27.83
DY-SB-034	2.161	2.750	.133	29.99
DY-SB-036	2.385	2.875	.133	25.07
DY-SB-038	2.625	3.130	.133	40.24
DY-SB-039	2.995	3.550	.133	45.11

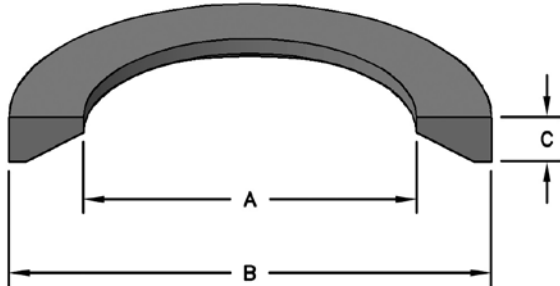
STYLE SB-SCR FACE SEALS



Part Number	F Self-Centralizing	C	D	List Price
DY-SB-005-SCR	0.185	0.525	0.048	\$3.59
DY-SB-006-SCR	0.240	0.525	0.048	3.59
DY-SB-007-SCR	0.240	0.560	0.048	3.14
DY-SB-020A-SCR	0.337	0.625	0.080	2.76
DY-SB-008-SCR	0.337	0.723	0.080	3.14
DY-SB-009-SCR	0.346	0.750	0.080	3.49
DY-SB-021B-SCR	0.451	0.810	0.080	2.79
DY-SB-010-SCR	0.456	0.875	0.080	3.05
DY-SB-022BB-SCR	0.476	0.875	0.080	3.08
DY-SB-023C-SCR	0.589	0.937	0.080	3.18
DY-SB-012-SCR	0.571	1.000	0.098	3.18
DY-SB-024CC-SCR	0.622	1.060	0.098	3.49
DY-SB-025D-SCR	0.734	1.125	0.098	3.94
DY-SB-026E-SCR	0.811	1.250	0.098	4.32
DY-SB-013-SCR	0.795	1.310	0.098	7.56
DY-SB-027F-SCR	0.950	1.375	0.098	5.25
DY-SB-014-SCR	0.941	1.440	0.098	7.45
DY-SB-031-SCR	1.193	1.685	0.098	9.36
DY-SB-029G-SCR	1.098	1.500	0.098	7.93
DY-SB-015-SCR	1.067	1.630	0.126	8.52
DY-SB-030H-SCR	1.193	1.685	0.126	7.99
DY-SB-016-SCR	1.161	1.750	0.126	18.34

DIN 3869 CONNECTOR RINGS

DIN 3869 profile rings are axially static soft seals in combination with threaded elements. They are molded from elastomers used for sealing threaded tube connections and fittings. Most common application, construction machinery, hydraulic presses, injection machines, etc. The DIN3869 is offered in two materials, an NBR 85 Shore A (black finish), and FKM 80 Shore A (green finish).



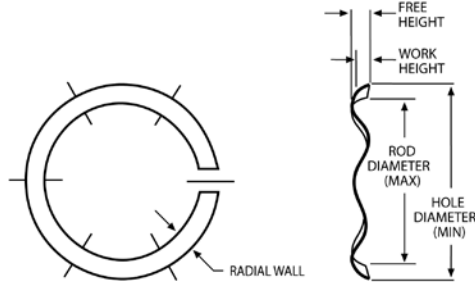
SEAL INFORMATION

MATERIAL	COLOR	TEMP RANGE
85A NBR	BLACK	-30° TO +100° C -22° TO +212° F
VITON (FKM)	GREEN	-20° TO +200° C -4° TO +392° F

Part Number	Nominal Size	Thread	A Inside Diameter	B Outside Diameter	C Height	Package Quantity	List Price
DIN3869-M8X1	8	M8 x 1	6.50	9.90	1.00	5	\$2.30
DIN3869-M10X1	10	M10 x 1	8.40	11.90	1.00	5	1.40
DIN3869-M12X1.5	12	M12 x 1.5	9.80	14.40	1.50	5	1.40
DIN3869-M14X1.5	14	M14 x 1.5	11.60	16.50	1.50	5	1.81
DIN3869-M16X1.5	16	M16 x 1.5	13.80	18.90	1.50	5	1.81
DIN3869-M17X1.5	17	M17 x 1.5	14.70	18.90	1.50	5	1.81
DIN3869-M18X1.5	18	M18 x 1.5	15.70	20.90	1.50	5	1.96
DIN3869-M20X1.5	20	M20 x 1.5	17.80	22.90	1.50	5	2.30
DIN3869-M21X1.5	21	M21 x 1.5	18.50	23.90	1.50	5	2.70
DIN3869-M22X1.5	22	M22 x 1.5	19.60	24.30	1.50	5	2.73
DIN3869-M21X2	21	M21 x 2	18.50	23.90	2.00	1	22.44
DIN3869-M27X2	27	M27 x 2	23.90	29.20	2.00	5	2.61
DIN3869-M30X2	30	M30 x 2	27.70	32.70	2.00	2	5.45
DIN3869-M33X2	33	M33 x 2	29.70	35.70	2.00	2	1.65
DIN3869-M42X2	42	M42 x 2	38.80	45.80	2.00	2	2.71
DIN3869-M48X2	48	M48 x 2	44.70	50.70	2.00	2	3.46
DIN3869-M8X1-V	8	M8 x 1	6.50	9.90	1.00	5	5.00
DIN3869-M10X1-V	10	M10 x 1	8.40	11.90	1.00	5	5.00
DIN3869-M12X1.5-V	12	M12 x 1.5	9.80	14.40	1.50	5	8.19
DIN3869-M14X1.5-V	14	M14 x 1.5	11.60	16.50	1.50	5	8.19
DIN3869-M16X1.5-V	16	M16 x 1.5	13.80	18.90	1.50	2	4.18
DIN3869-M18X1.5-V	18	M18 x 1.5	15.70	20.90	1.50	2	4.55
DIN3869-M20X1.5-V	20	M20 x 1.5	17.80	22.90	1.50	2	5.84
DIN3869-M21X1.5-V	21	M21 x 1.5	18.50	23.90	1.50	2	6.17
DIN3869-M22X1.5-V	22	M22 x 1.5	19.60	24.30	1.50	2	6.36
DIN3869-M27X2-V	27	M27 x 2	23.90	29.20	2.00	2	6.74
DIN3869-M30X2-V	30	M30 x 2	27.70	32.70	2.00	2	11.47

WAVE SPRINGS

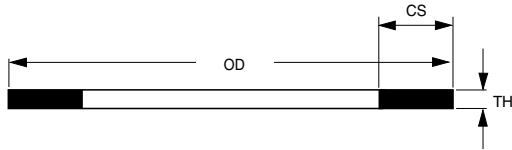
Wave Springs offer a convenient method of exerting a pre-load on vee packing where little or no adjustment is available. Because of a low fatigue factor, the spring should provide a proper pre-load throughout the life of the packing.



Part Number	WORK HEIGHT	FREE HEIGHT	E ROD DIAMETER	HOLE DIAMETER	RADIAL WALL	List Price
SSR-0112	.078	.130	.840	1.125	.133	\$19.77
SSR-0125	.078	.150	.960	1.250	.133	7.47
SSR-0150	.078	.170	1.170	1.500	.143	7.94
SSR-0175	.078	.140	1.440	1.750	.143	7.94
SSR-0187	.078	.150	1.560	1.875	.143	7.94
SSR-0200	.093	.140	1.680	2.000	.150	8.64
SSR-0225	.093	.170	1.930	2.250	.150	9.14
SSR-0237	.093	.160	1.990	2.375	.178	9.41
SSR-0250	.093	.170	2.120	2.500	.178	9.91
SSR-0262	.093	.190	2.240	2.625	.178	9.91
SSR-0275	.109	.170	2.340	2.750	.188	10.90
SSR-0300	.109	.190	2.590	3.000	.188	11.67
SSR-0312	.109	.210	2.710	3.120	.188	11.58
SSR-0325	.109	.200	2.750	3.250	.233	12.54
SSR-0350	.109	.230	3.000	3.500	.233	23.36
SSR-0362	.109	.240	3.120	3.625	.233	23.82
SSR-0375	.109	.260	3.250	3.750	.233	14.71
SSR-0400-N	.109	.200	3.570	4.000	.188	43.23
SSR-0425	.109	.210	3.740	4.250	.233	46.38
SSR-0462	.109	.230	4.125	4.625	.233	18.09
SSR-0475	.125	.310	4.240	4.750	.233	56.05
SSR-0512	.125	.340	4.610	5.125	.233	64.92

CARBON STEEL SHIMS

These carbon steel shims are commonly used with vee packing sets to fill the empty space in a gland.



Part Number	OUTSIDE DIAMETER	th THICKNESS	CROSS SECTION	List Price
SSRS-0150	1.500	.024	.150	\$3.19
SSRS-0175	1.750	.024	.150	3.19
SSRS-0200	2.000	.024	.150	4.45
SSRS-0237	2.375	.024	.178	6.63
SSRS-0312	3.125	.030	.188	4.24
SSRS-0375	3.750	.030	.233	5.02

GRADE C LOCKNUTS

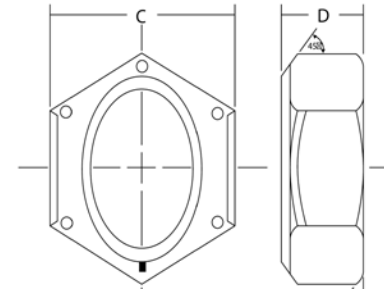
These fine-threaded Grade C locknuts are formed from medium carbon, heat-treated steel and are designed to be used with a Grade 8 bolt. Smaller size locknuts employ an automation style collar while the larger ones use a full collar design. Both locknut types are stocked with cadmium and wax plating.

Automation Style

Part Number	Size	Thread Pitch	C Width Across Flats		D Overall Thickness		List Price
			Max	Min	Max	Min	
LN-1/2-13	1/2	13	0.7500	0.736	0.573	0.427	\$1.41
LN-1/2-20	1/2	20	0.752	0.741	0.609	0.579	0.85
LN-1-14	1	14	1.5020	1.450	0.887	0.831	7.01
LN-3/4-16	3/4	16	1.1250	1.088	0.665	0.617	4.23
LN-5/8-18	5/8	18	0.9375	0.922	0.731	0.535	11.25
LN-7/8-14	7/8	14	1.3145	1.269	0.922	0.724	5.57
LN-7/16-20	7/16	20	0.627	0.616	0.468	0.438	3.63



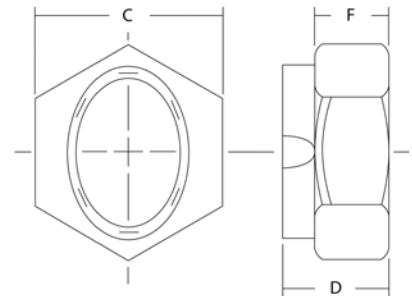
Automation Style



Full Collar Style

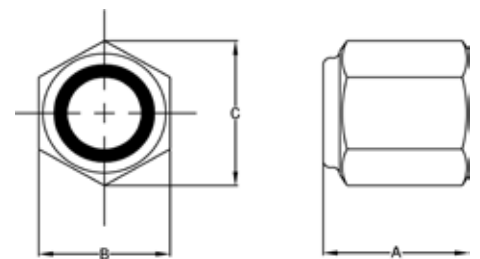
Part Number	Size	Thread Pitch	C Width Across Flats		D Overall Thickness		F Hex Height		List Price
			Max	Min	Max	Min	Max	Min	
LN-1-1/2-12	1-1/2	12	2.250	2.175	1.317	1.246	0.885	0.843	\$39.48
LN-1-1/4-12	1-1/4	12	1.876	1.812	1.094	1.030	0.719	0.698	28.77
LN-1-1/8-12	1-1/8	12	1.687	1.631	0.999	0.939	0.657	0.636	18.14
LN-1-3/4-12	1-3/4	12	2.625	2.538	1.540	1.460	1.012	0.989	68.06
LN-1-3/8-12	1-3/8	12	2.062	1.994	1.206	1.138	0.795	0.771	61.30
LN-2-12	2	12	3.000	2.900	1.763	1.675	1.158	1.134	143.64

Full Collar Style



Part Number	Bar Size	A	B	C	List Price
CM-LN45050	1/2"-20	0.60	0.75	0.84	\$6.50
CM-LN45062	5/8"-18	0.75	0.94	1.06	22.57
CM-LN45075	3/4"-16	0.88	1.06	1.19	28.28
CM-LN45087	7/8"-14	1.00	1.25	1.40	15.57
CM-LN45100	1"-14	1.06	1.44	1.62	21.09
CM-LN45101	1"-14	0.88	1.62	1.83	25.12
CM-LN45112	1-1/8"-12	1.19	1.62	1.83	28.94
CM-LN45126	1-1/4"-12	1.38	1.81	2.06	33.66
CM-LN45151	1-1/2"-12	1.62	2.19	2.44	44.23
CM-LN45152	1-1/2"-12	0.81	2.19	2.44	34.72
CM-LN45175	1-3/4"-12	1.50	2.75	3.06	85.10
CM-LN45200	2"-12	1.62	3.12	3.50	90.85
CM-LN45225	2-1/4"-12	1.94	3.50	3.94	193.43
CM-LN45226	2-1/4"-12	2.81	3.50	3.94	264.87
CM-LN45250	2-1/2"-12	2.25	4.00	4.50	419.42

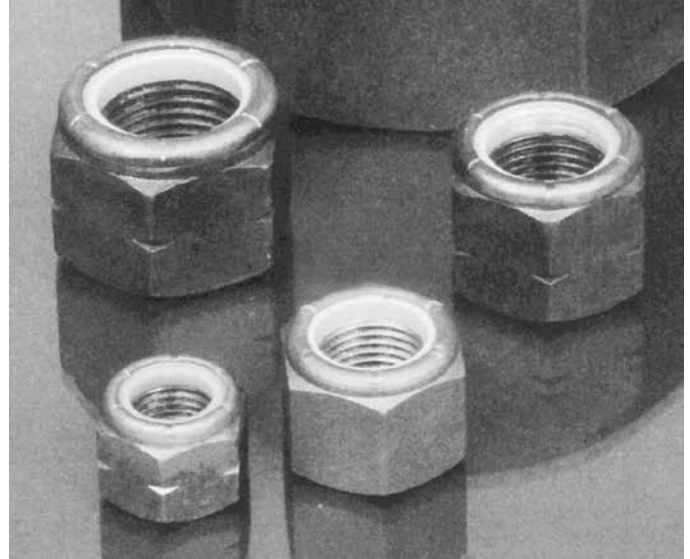
Nylon Insert Lock Nut



“NYLON INSERT” LOCKING NUTS

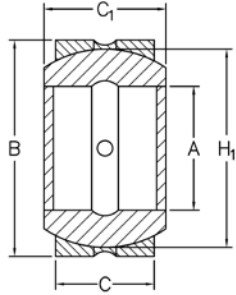
Manufactured from the finest quality steel to offer superior strength, Hercules® Sealing Products locking nuts with nylon inserts are specifically designed and manufactured to exact dimensions. The high temperature locking inserts are designed to withstand the high temperatures associated with close tolerance performance applications.

Part Number	Thread Size & Pitch	Height	Flats	List Price
CTC-2J0564	2 - 12	1-5/8	3-1/8	\$96.26
CTC-2J3247	1-3/4 - 12	1-7/16	2-3/4	90.18
CTC-2J3950	1-1/2 - 12	1-5/16	2-3/8	61.99
CTC-2J6384	1-1/4 - 12	1-1/8	2	55.23
CTC-2J7686	2-1/2 - 12	2-3/16	4	444.43
CTC-3J6899	2-1/4 - 12	2-13/16	3-1/2	280.66
CTC-3J9449	2-1/2 - 12	2-5/8	4	415.38
CTC-3J9545	2 - 12	2-7/16	3-1/8	258.31
CTC-4J6888	2-3/4 - 12	2-1/4	4	262.58
CTC-4J8734	2-3/4 - 12	3-1/8	4	502.03
CTC-5J3488	2-1/4 - 12	1-15/16	3-1/2	204.97
CTC-5J5731	1-3/4 - 12	1-7/16	2-1/2	57.82
CTC-7J9250	3-1/4 - 12	3-1/8	4-1/2	536.86
CTC-9X6018	4 - 12	3.73	5.62	1126.84
CTC-1438149	M48 × 2	50 mm	75 mm	240.01
CTC-1438150	M56 × 2	56 mm	85 mm	252.24
CTC-1336686	M56 × 2	57 mm	80 mm	275.80
CTC-1475835	M64 × 2	63 mm	95 mm	339.06
CTC-7Y4622	M72 × 2	70 mm	105 mm	598.33
CTC-7Y4695	M80 × 2	76 mm	115 mm	600.10
CTC-1232060	M80 × 2	64 mm	115 mm	425.45
CTC-1232112	M90 × 2	76 mm	130 mm	753.05
CTC-7Y4956	M90 × 2	84 mm	130 mm	718.60
CTC-0875385	M95 × 2	88 mm	135 mm	894.95
CTC-1261971	M100 × 2	89 mm	146 mm	1232.09
CTC-1163513	M105 × 2	97 mm	150 mm	1422.07
CTC-1163516	M120 × 2	108 mm	170 mm	1709.27



*Grade N8 (Grade C equivalent) or non-heat treated micro-alloy steel.

STYLE HH SELF ALIGNING BEARINGS (INCH)



SEAL INFORMATION

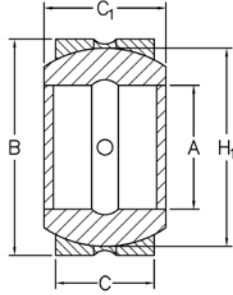
MATERIAL

CARBON
CHROMIUM STEEL

SUFFIX:
2RS = SEALED BEARINGS

Part Number	A Nom. ID	B Nom. OD	C Nom. Ht	C ₁ OVERALL HEIGHT	G HOUSING DIAMETER	H ₁ BEARING GROOVE DIAMETER	Static Radial Load (lbs)	Dynamic Radial Load (lbs)	MATERIAL	List Price
HH008ES	1/2	7/8	3/8	.437	.875 ^{+0.000} -0.008	.709	9337	3156	STEEL	\$33.94
HH010ES	5/8	1-1/16	15/32	.547	1.0625 ^{+0.000} -0.008	.899	14732	4864	STEEL	37.31
HH012ES	3/4	1-1/4	9/16	.656	1.250 ^{+0.000} -0.001	1.083	20927	7089	STEEL	35.09
HH100ES	1	1-5/8	3/4	.875	1.625 ^{+0.000} -0.001	1.417	37359	12605	STEEL	30.53
HHW100ES	1	1-5/8	1-1/2	1.500	1.625 ^{+0.000} -0.001	1.417	37351	12604	STEEL	38.31
HH104ES	1-1/4	2	15/16	1.093	2.000 ^{+0.000} -0.012	1.772	58507	19468	STEEL	44.08
HH106ES	1-3/8	2-3/16	1-1/32	1.187	2.1875 ^{+0.000} -0.012	1.929	69756	23404	STEEL	66.73
HH108ES	1-1/2	2-7/16	1-1/8	1.312	2.4375 ^{+0.000} -0.012	2.165	84379	28129	STEEL	57.68
HH108ES2RS	1-1/2	2-7/16	1-1/8	1.312	2.4375 ^{+0.000} -0.012	2.165	84379	28129	STEEL	76.87
HH112ES	1-3/4	2-13/16	1-5/16	1.531	2.8125 ^{+0.000} -0.012	2.520	114752	38255	STEEL	79.17
HH112ES2RS	1-3/4	2-13/16	1-5/16	1.531	2.8125 ^{+0.000} -0.012	2.520	114752	38255	STEEL	99.50
HH200ES	2	3-3/16	1-1/2	1.750	3.1875 ^{+0.000} -0.014	2.874	150754	50408	STEEL	107.44
HH200ES2RS	2	3-3/16	1-1/2	1.750	3.1875 ^{+0.000} -0.014	2.874	150754	50408	STEEL	128.93
HHW200ES	2	3-3/16	3	3.000	3.1875 ^{+0.000} -0.014	2.874	150757	50406	STEEL	121.69
HH204ES	2-1/4	3-9/16	1-11/16	1.969	3.5625 ^{+0.000} -0.014	3.228	191251	63002	STEEL	147.03
HH204ES2RS	2-1/4	3-9/16	1-11/16	1.969	3.5625 ^{+0.000} -0.014	3.228	191251	63002	STEEL	200.65
HH208ES	2-1/2	3-15/16	1-7/8	2.187	3.9375 ^{+0.000} -0.014	3.583	234007	77629	STEEL	199.06
HH212ES	2-3/4	4-3/8	2-1/16	2.406	4.375 ^{+0.000} -0.014	3.937	285752	95628	STEEL	233.74
HH300ES	3	4-3/4	2-1/4	2.625	4.750 ^{+0.000} -0.016	4.331	337506	112505	STEEL	350.57
HH300ES2RS	3	4-3/4	2-1/4	2.625	4.750 ^{+0.000} -0.016	4.331	337506	112505	STEEL	417.78
HH308ES	3-1/2	5-1/2	2-5/8	3.062	5.500 ^{+0.000} -0.016	5.039	459001	153003	STEEL	304.44
HH308ES2RS	3-1/2	5-1/2	2-5/8	3.062	5.500 ^{+0.000} -0.016	5.039	459001	153003	STEEL	689.91
HH312ES	3-3/4	5-7/8	2-13/16	3.281	5.875 ^{+0.000} -0.016	5.394	531004	175507	STEEL	671.78
HH400ES	4	6-1/4	3	3.500	6.250 ^{+0.000} -0.016	5.748	596256	202508	STEEL	556.92

STYLE MHH SELF ALIGNING BEARINGS (METRIC)



SEAL INFORMATION

MATERIAL

CARBON
CHROMIUM STEEL

SUFFIX:
2RS = SEALED BEARINGS

Part Number	A Nom. ID	B Nom. OD	C Nom. Ht	C ₁ OVERALL HEIGHT	G HOUSING DIAMETER	H ₁ BEARING GROOVE DIAMETER	Static Radial Load (lbs)	Dynamic Radial Load (lbs)	List Price
MHH20ES	20	35	12	16	35 ^{+0.000} _{-0.025}	29	32857	6759	\$42.79
MHH25ES	25	42	16	20	42 ^{+0.000} _{-0.025}	36	54003	10804	53.28
MHH25ES2RS	25	42	16	20	42 ^{+0.000} _{-0.025}	36	54003	10804	49.73
MHH30ES	30	47	18	22	47 ^{+0.000} _{-0.025}	41	69751	13951	56.39
MHH30ES2RS	30	47	18	22	47 ^{+0.000} _{-0.025}	41	69751	13951	70.55
MHH35ES	35	55	20	25	55 ^{+0.00} _{-0.03}	47	90008	18009	73.05
MHH35ES2RS	35	55	20	25	55 ^{+0.00} _{-0.03}	47	90008	18009	70.55
MHH40ES	40	62	22	28	62 ^{+0.00} _{-0.03}	53	112507	22501	80.63
MHH40ES2RS	40	62	22	28	62 ^{+0.00} _{-0.03}	53	112507	22501	69.19
MHH45ES2RS	45	68	25	32	68 ^{+0.00} _{-0.03}	60	144009	28578	124.50
MHH50ES	50	75	28	35	75 ^{+0.00} _{-0.03}	66	175509	35109	117.75
MHH50ES2RS	50	75	28	35	75 ^{+0.00} _{-0.03}	66	175509	35109	229.47
MHH60ES	60	90	36	44	90 ^{+0.000} _{-0.035}	80	274509	55128	181.85
MHH70ES	70	105	40	49	105 ^{+0.000} _{-0.035}	92	351007	70876	272.62
MHH70ES2RS	70	105	40	49	105 ^{+0.000} _{-0.035}	92	351007	70876	229.47
MHH80ES	80	120	45	55	120 ^{+0.000} _{-0.035}	105	450005	90008	297.57

SET SCREWS



These set screws are used on many cylinder headnuts. Use nylon plugs to ensure no damage to the headnut threads. All set screws employ Allen wrench heads.

Part Number	Thread Size	Length	List Price
SS-1/4-20X1/2	1/4-20	1/2	\$1.71
SS-1/4-20X3/8	1/4-20	3/8	2.01
SS-1/4-28X1/4	1/4-28	1/4	1.60
SS-1/4-28X3/8	1/4-28	3/8	1.60
SS-5/16-18X1/4	5/16-18	1/4	1.60
SS-5/16-18X3/8-CUP	5/16-18	3/8	1.60
SS-5/16-18X3/4-CUP	5/16-18	3/4	2.17
SS-5/16-24X5/16	5/16-24	5/16	0.68
SS-5/16-24X3/8	5/16-24	3/8	2.17
SS-3/8-16X3/8	3/8-16	3/8	1.22
SS-3/8-16X1/2	3/8-16	1/2	1.71
SS-3/8-16X5/8	3/8-16	5/8	2.11
SS-3/8-16X7/8	3/8-16	7/8	2.43
SS-1/2-13X1/2	1/2-13	1/2	2.83
SS-1/2-13X5/8	1/2-13	5/8	3.30
SS-#10-24X1/4	#10-24	1/4	1.60

NYLON PLUGS



These nylon plugs are used with headnut set screws to ensure that there is no damage to the headnut threads.

Part Number	Diameter	Length	List Price
NYPLUG-125-125	1/8	1/8	\$1.25
NYPLUG-125-156	1/8	5/32	1.13
NYPLUG-125-875	1/8	7/8	2.11
NYPLUG-187-109	3/16	7/64	1.09
NYPLUG-187-187	3/16	3/16	1.09
NYPLUG-187-250	3/16	1/4	1.10
NYPLUG-250-070	1/4	0.070	1.61
NYPLUG-250-125	1/4	1/8	1.09
NYPLUG-250-187	1/4	3/16	1.09
NYPLUG-250-250	1/4	1/4	1.92
NYPLUG-312-125	5/16	1/8	1.09
NYPLUG-312-250	5/16	1/4	3.31
NYPLUG-312-312	5/16	5/16	3.12
NYPLUG-375-250	3/8	1/4	1.09
NYPLUG-500-875-125H	1/2	7/8	16.32

WIND-IN LOCK WIRES



Part Number	Thickness	Length	List Price
LW-093-1262	3/32 sq.	12-5/8	\$45.06
MARION-35240	1/8 sq.	10-1/4	20.82
MARION-35250	1/8 sq.	13-3/8	19.62
MARION-35260	1/8 sq.	16-3/8	19.98
MARION-35270	1/8 sq.	19-1/4	22.96
MARION-1031	3/16 sq.	21.00	33.38
1/8 RD WIRE	1/8 round	11	5.23

FILTER VENT PLUGS



These plugs are used to allow air to pass in and out of the non-pressurized end of a single-acting cylinder.

Part Number	NPT Port Size	List Price
FV-.125	1/8	\$7.27
FV-.250	1/4	9.85
FV-.375	3/8	11.89
FV-.500	1/2	14.29
FV-.750	3/4	21.97
FV-1.000	1	26.32

STEEL PLUGS AND VENTS

Steel Plug (O-Ring Boss)



PART NUMBER	PORT SIZE	LIST PRICE
CM-74004	#4 SAE	\$12.00
CM-74005	#5 SAE	12.04
CM-74006	#6 SAE	12.06
CM-74008	#8 SAE	13.02
CM-74010	#10 SAE	14.47
CM-74012	#12 SAE	19.30
CM-74014	#14 SAE	42.20
CM-74016	#16 SAE	51.43
CM-74020	#20 SAE	55.27

NPT Steel Plug

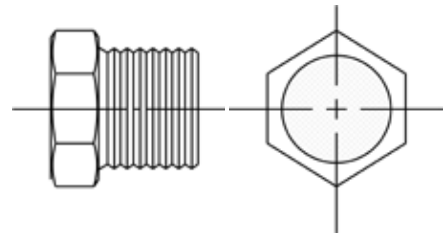
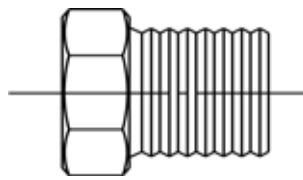
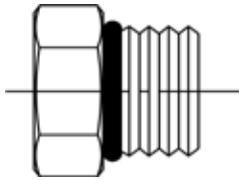


PART NUMBER	PORT SIZE	LIST PRICE
CM-74112	1/8" NPT	\$9.03
CM-74125	1/4" NPT	9.11
CM-74137	3/8" NPT	9.20
CM-74150	1/2" NPT	9.28
CM-74175	3/4" NPT	18.09
CM-74199	1" NPT	18.43
CM-74200	1-1/4" NPT	36.16

NPT Air Vent



PART NUMBER	PORT SIZE	LIST PRICE
CM-77002	1/8" NPT	\$7.27
CM-77004	1/4" NPT	9.85
CM-77006	3/8" NPT	11.89
CM-77008	1/2" NPT	14.29
CM-77010	3/4" NPT	21.97



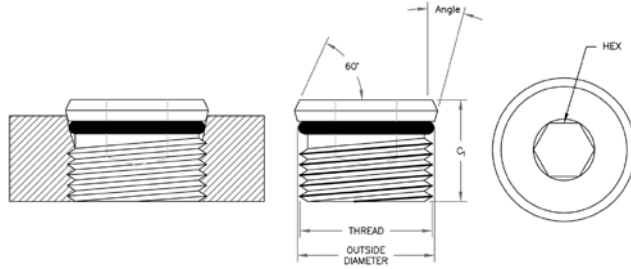
MANUAL BLEEDER VALVES



Part Number	Thread Size	Min Pkg Qty	List Price
WH705	1/8 NPT	3	\$7.79

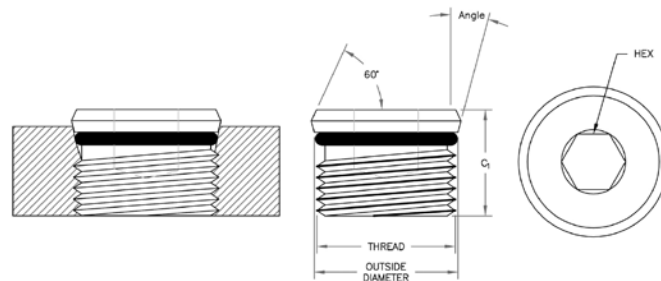
ZERO-LEAK GOLD STANDARD THREAD PORT PLUGS

Thread Port plugs which are interchangeable with plugs used in SAE J514 / SAE J1926 standard ports.



Part Number	SIZE NUMBER	C ₁ OVERALL HEIGHT	OUTSIDE DIAMETER	HEX	Angle	TESTED TORQUE (ft-lbs)	O-RING	THREAD	List Price
SHTPP-S00	N/A	.310 ±.010	.221 ±.003	.061 ^{+0.005} / _{+0.000}	12 ^{+0.0} / _{-0.5}		MOR-3X1.25	#10-32 UNF	\$9.07
SHTPP-S01	1	.440 ±.010	.296 ±.003	.125 ^{+0.005} / _{+0.000}	12 ^{+0.0} / _{-0.5}		MOR-4.5X1.5	1/4-24 UNS	2.72
SHTPP-S03	3	.380 ±.010	.411 ±.003	.125 ^{+0.005} / _{+0.000}	12 ^{+0.0} / _{-0.5}		MOR-7X1.5	3/8-24 UNF	2.41
SHTPP-S04	4	.450 ±.020	.477 ±.003	.188 ^{+0.005} / _{+0.000}	12 ^{+0.0} / _{-0.5}	7	MOR-8X1.5	7/16-20 UNF	3.81
SHTPP-S05	5	.450 ±.020	.540 ±.003	.188 ^{+0.005} / _{+0.000}	12 ^{+0.0} / _{-0.5}	9	MOR-10X1.5	1/2-20 UNF	4.21
SHTPP-S06	6	.480 ±.020	.606 ±.003	.250 ^{+0.005} / _{+0.000}	12 ^{+0.0} / _{-0.5}	11	MOR-12.1X1.6	9/16-18 UNF	4.81
SHTPP-S08	8	.560 ±.020	.800 ±.003	.313 ^{+0.005} / _{+0.000}	15 ^{+0.0} / _{-0.5}	28	568-016	3/4-16 UNF	5.68
SHTPP-S10	10	.630 ±.020	.930 ±.003	.375 ^{+0.005} / _{+0.000}	15 ^{+0.0} / _{-0.5}	46	MOR-18X2	7/8-14 UNF	7.66
SHTPP-S12	12	.750 ±.020	1.130 ±.003	.563 ^{+0.005} / _{+0.000}	15 ^{+0.0} / _{-0.5}	51	MOR-22.3X2.4	1-1/16-12 UN	13.56
SHTPP-S14	14	.563 ±.010	1.263 ±.003	.563 ^{+0.005} / _{+0.000}	15 ^{+0.0} / _{-0.5}		MOR-26X2.5	1-3/16-12 UN	24.49
SHTPP-S16	16	.750 ±.020	1.385 ±.003	.625 ^{+0.005} / _{+0.000}	15 ^{+0.0} / _{-0.5}		MOR-27X2.5	1-5/16-12 UN	17.03
SHTPP-S20	20	.750 ±.010	1.697 ±.003	.750 ^{+0.005} / _{+0.000}	15 ^{+0.0} / _{-0.5}		MOR-35X2.5	1-5/8-12 UN	39.11
SHTPP-S24	24	.750 ±.010	1.946 ±.003	.750 ^{+0.005} / _{+0.000}	15 ^{+0.0} / _{-0.5}		MOR-41X2.5	1-7/8-12 UN	122.88

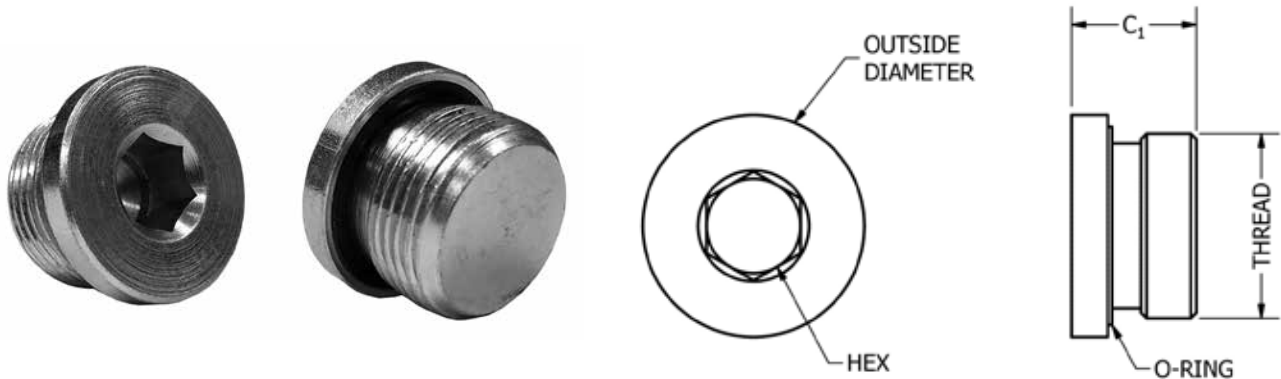
ZERO-LEAK GOLD METRIC THREAD PORT PLUGS



Part Number	Tube Size	C ₁ Overall Height	Outside Diameter	Hex	Angle	O-RING	Thread	List Price
SHTPP-MS-S02	5	9.1 ±0.5	8.85 ^{+0.15} / _{-0.00}	3	12 ^{+0.0} / _{-0.5}	MOR-5X1.5	M8x1.0	\$3.69
SHTPP-MS-S03	6	9.3 ±0.5	10.85 ^{+0.15} / _{-0.00}	5	12 ^{+0.0} / _{-0.5}	MOR-7X1.5	M10x1.0	4.15
SHTPP-MS-S04	8	11.3 ±0.5	13.55 ^{+0.15} / _{-0.00}	6	15 ^{+0.0} / _{-0.5}	MOR-9X2	M12x1.5	4.39
SHTPP-MS-S05	10	11.3 ±0.5	15.55 ^{+0.15} / _{-0.00}	6	15 ^{+0.0} / _{-0.5}	MOR-11X2	M14x1.5	4.80
SHTPP-MS-S06	12	14 ±0.5	17.55 ^{+0.15} / _{-0.00}	8	15 ^{+0.0} / _{-0.5}	MOR-13X2	M16x1.5	5.81
SHTPP-MS-S07	14	15.3 ±0.5	19.55 ^{+0.15} / _{-0.00}	8	15 ^{+0.0} / _{-0.5}	MOR-15X2	M18x1.5	6.27
SHTPP-MS-S08	18	17 ±0.5	23.55 ^{+0.15} / _{-0.00}	10	15 ^{+0.0} / _{-0.5}	MOR-19X2	M22x1.5	7.69

BSPP THREAD PORT PLUGS

BSPP are British Standard Pipe Plugs. Plugs come with DIN3869 NBR 85 shore A axial seals already installed to ensure zero leak.

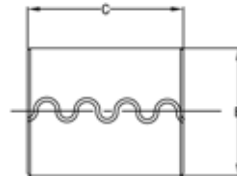


Part Number	Outside Diameter	C1 Overall Height	Hex	O-ring	Thread	List Price
SHTPP-G-1/4	0.748	0.669	6	DIN3869-M14X1.5	BSPP G 1/4-19	\$5.49
SHTPP-G-3/8	0.866	0.669	8	DIN3869-M16X1.5	BSPP G 3/8-19	5.59
SHTPP-G-1/2	1.063	0.748	10	DIN3869-M21X1.5	BSPP G 1/2-14	6.76
SHTPP-G-3/4	1.26	0.827	12	DIN3869-M27X2	BSPP G 3/4-14	7.30
SHTPP-G-1	1.571	0.886	17	DIN3869-M33X2	BSPP G 1-11	16.86

SPLIT TENSION BUSHINGS



Material: Hardened Spring Steel



PART NUMBER	A	B	C	HOUSING DIAMETER	LIST PRICE
CM-99507	0.75	1.00	2.00	1.002/1.006	\$18.50
CM-99508	0.88	1.00	2.00	1.002/1.006	17.80
CM-99510	1.00	1.25	0.75	1.252/1.256	11.65
CM-99514	1.00	1.25	0.88	1.252/1.256	14.84
CM-99511	1.00	1.25	1.00	1.252/1.256	13.02
CM-99513	1.00	1.25	1.25	1.252/1.256	17.23
CM-99512	1.00	1.25	1.50	1.252/1.256	15.40
CM-99519	1.25	1.50	1.25	1.502/1.506	13.71
CM-99522	1.25	1.50	1.50	1.502/1.506	19.49
CM-99521	1.25	1.50	2.00	1.502/1.506	21.57
CM-99531	1.50	1.75	1.50	1.752/1.756	17.17
CM-99533	1.50	1.75	2.00	1.752/1.756	23.27
CM-99535	1.50	1.75	3.00	1.752/1.756	35.05
CM-99534	1.50	1.88	2.00	1.877/1.881	39.50
CM-995335	1.50	1.75	2.50	1.752/1.756	32.90
CM-99537	1.50	2.00	1.25	2.002/2.006	32.08

PART NUMBER	A	B	C	HOUSING DIAMETER	LIST PRICE
CM-995371	1.50	2.00	2.00	2.002/2.006	\$42.59
CM-99540	1.75	2.00	1.25	2.002/2.006	22.20
CM-995375	1.75	2.00	1.50	2.002/2.006	27.17
CM-99538	1.75	2.00	2.00	2.002/2.006	25.03
CM-99539	1.75	2.00	2.25	2.002/2.006	38.10
CM-995410	1.75	2.00	3.00	2.002/2.006	46.54
CM-99541	1.75	2.25	2.00	2.252/2.256	52.20
CM-99546	2.00	2.38	3.00	2.377/2.381	70.71
CM-99549	2.00	2.25	1.50	2.252/2.256	23.96
CM-99550	2.00	2.25	2.50	2.252/2.256	30.82
CM-99547	2.00	2.50	2.00	2.502/2.506	52.76
CM-99545	2.00	2.50	2.50	2.502/2.506	68.94
CM-99556	2.50	3.00	2.00	3.002/3.006	75.62
CM-99557	2.50	3.00	3.00	3.002/3.006	127.06
CM-99565	3.00	3.50	2.50	3.502/3.506	126.12

FORMERLY LISTED REPAIR PARTS ARE AVAILABLE ONLINE AT WWW.HERCULESUS.COM OR BY CONTACTING YOUR REGIONAL HERCULES SALES TEAM.

LOCTITE



Threadlocker 242 locks fasteners 1/4" and larger yet allows easy disassembly with hand tools. Prevents rust and corrosion.

Part Number	Application	List Price
LOCTITE-24205	Removable Threadlocker 0.5 ml bottle	\$19.46
LOCTITE-24221	Removable Threadlocker 10 ml bottle	72.24
LOCTITE-24231	Removable Threadlocker 50 ml bottle	213.71
LOCTITE-27105	High Strength Threadlocker 0.5 ml bottle	13.30
LOCTITE-29031	Penetrating Threadlocker 50 ml bottle	224.37
LOCTITE-54531	Hyd/Pneum Thread Sealant 50 ml tube	237.15
LOCTITE-82325	Super Lube 3 oz tube	56.50

SEAL LUBE™

O-Ring Lubricant



Part Number: O LUBE
List Price: \$39.12

Seal-Lube™ lubricant is a thick, clear, high viscosity silicone oil recommended for use with most seal compounds (except silicone) and a wide variety of hydraulic fluids. Insoluble in water, alcohol, petroleum oil and glycol, Seal-Lube™ can prolong seal life when applied prior to seal installation. Chemically inert and non-toxic, Seal-Lube™ retains its viscosity over a wide temperature range. The handy squeeze 2 ounce bottle dispenses just enough where you want it.

TURBO LOCK



Turbo Lock threadlocker adhesive series is an economical alternative to Loctite.

Part Number	Application	List Price
THREAD LOCKER-11-001	Removable Threadlocker 2 ml bottle	\$7.88
THREAD LOCKER-11-010	Removable Threadlocker 10 ml bottle	54.99
THREAD LOCKER-11-050	Removable Threadlocker 50 ml bottle	96.23
THREAD LOCKER-14-001	High Strength Threadlocker 2 ml bottle	7.88
THREAD LOCKER-14-250	High Strength Threadlocker 250 ml bottle	330.55
THREAD LOCKER-16-010	Penetrating Threadlocker 10 ml bottle	34.06
THREAD LOCKER-16-050	Penetrating Threadlocker 50 ml bottle	88.18

**Set Screw and Nylon Plug
Assortment Kits
Also Available -
See the Kits & Tools Section**

GREASE FITTINGS



Part Number	Description	List Price
GF-125NPTS	1/8" NPT STRAIGHT	\$2.22
GF-125NPT45	1/8" NPT 45°	3.56
GF-125NPT90	1/8" NPT 90°	3.56
GF-187DS	3/16" DRIVE STRAIGHT	1.53
GF-250-28S	1/4"-28 STRAIGHT	1.16
GF-250-28-45	1/4"-28 45°	3.15
GF-250-28-90	1/4"-28 90°	3.15
GF-312DS	5/16" DRIVE STRAIGHT	2.02

GREASE FITTING CAP



Low density polyethane cap plug for use with standard grease fittings.

Part Number	Description	List Price
CAP-GF-10	Cap Plug	\$0.35

PTFE THREAD SEAL TAPE

Part Number: PTFE TAPE

List Price: \$4.97



1/2" Wide by 520" Roll

SILICONE TAPE



Used to create permanent seals for low pressure gas or liquid leaks in hydraulic hoses.

Temperature Range: -62/+500° F

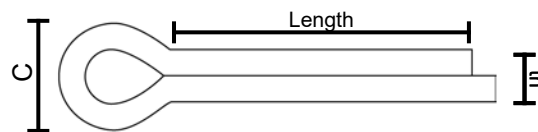
Part Number	Description	List Price
SILICONE TAPE	1" X 432" Roll	\$76.63

SEAL LUBE



Part Number	Description	List Price
GREASE PACK-30ML	Lube	\$5.13
LUBE-P-80-10ML	Lube	13.61

COTTER PINS



Part Number	C	Length	th	List Price
CP-1X3/32	0.1875	1	0.082	\$0.70
CP-1-1/4X1/8	0.25	1.25	0.115	0.52
CP-1-1/2X5/32	0.3125	1.5	0.15	0.70
CP-1-3/4X3/16	0.39	1.75	0.1875	1.02
CP-2X3/16	0.375	2	0.176	0.87
CP-2X1/4	0.5	2	0.225	0.70
CP-2-1/2X1/8	0.25	2.5	0.115	0.52
CP-2-1/2X5/32	0.357	2.5	0.15625	0.86
CP-2-1/2X3/16	0.375	2.5	0.176	1.05
CP-2-1/2X1/4	0.5	2.5	0.225	1.45
CP-3X5/32	0.3125	3	0.15	0.90
CP-3X1/4	0.52	3	0.25	2.43
CP-3-1/2X1/4	0.5	3.5	0.225	1.34
CP-4X1/4	0.5	4	0.225	1.53
CP-5X1/4	0.5	5	0.225	4.82
CP-6X5/16	0.625	6	0.28	5.75

NITRILE GLOVES

Hercules Sealing Products offers nitrile gloves which are available in 5, 6, and 8mil thickness options. Designed with versatility in mind, these gloves come in sizes ranging from Small to 2XL.



Part Number	Thickness	Color	Brand	Net Price	Part Number	Thickness	Color	Brand	Net Price
HPPE-VGS5-SM	5 Mil	Black	Vanguard	\$10.99	HPPE-VGS8DT-SM	8 Mil	Orange	Vanguard	\$19.00
HPPE-VGS5-MD	5 Mil	Black	Vanguard	10.99	HPPE-VGS8DT-MD	8 Mil	Orange	Vanguard	19.00
HPPE-VGS5-LG	5 Mil	Black	Vanguard	10.99	HPPE-VGS8DT-LG	8 Mil	Orange	Vanguard	19.00
HPPE-VGS5-XL	5 Mil	Black	Vanguard	10.99	HPPE-VGS8DT-XL	8 Mil	Orange	Vanguard	19.00
HPPE-VGS5-2X	5 Mil	Black	Vanguard	10.99	HPPE-VGS8DT-XXL	8 Mil	Orange	Vanguard	19.00
HPPE-RS6-M	6 Mil	Black	Rhinoskin	17.27	HPPE-RSO8-M	8 Mil	Orange	Rhinoskin	20.51
HPPE-RS6-L	6 Mil	Black	Rhinoskin	17.27	HPPE-RSO8-L	8 Mil	Orange	Rhinoskin	20.51
HPPE-RS6-XL	6 Mil	Black	Rhinoskin	17.27	HPPE-RSO8-XL	8 Mil	Orange	Rhinoskin	20.51
HPPE-RS6-XXL	6 Mil	Black	Rhinoskin	17.27	HPPE-RSO8-XXL	8 Mil	Orange	Rhinoskin	20.51

*Sold by the box, each contains 100 gloves (Vanguard 2XL contain 90 gloves).

*All 8 Mil Gloves are Diamond Textured.

STYLE MCPL COUPLINGS

MCPL power transmission couplings are commonly found on mobile equipment to solve vibration problems in combustion engine driven equipment. The rubber or Hytrel elements effectively absorb shock loads, misalignment forces, and torsional vibrations generated by the connecting equipment at start-up for example. The coupling is axially connected to a PTO or flywheel on the engine side and radially connected to the driven equipment such as hydraulic pumps, generators, compressors, etc.



50H



110H



140H



50A

Part Number	ID X OD Dimensions	Material	Application	List Price
MCPL-110H-AL	100 X 222 mm	Plastic with Aluminum	Hitachi, Kato, etc.	\$198.24
MCPL-140H-AL	130 X 250 mm	Plastic with Aluminum	Komatsu, Kobelco, Kato, etc.	340.53
MCPL-50A-AL	107 X 200 mm	Rubber with Aluminum	Kobelco, Mitsubishi, etc.	310.38
MCPL-50H-AL	97 X 200 mm	Plastic with Aluminum	Komatsu, Hitachi, Kobelco, Mitsubishi, Kato, etc.	328.50

**Cotter Pin and Grease Fitting Assortment Kits
Also Available - See the Kits & Tools Section**

Assortment Kits and Tools

Contents	Page
O-Ring Kits	836 - 844
O-Ring Splice Kits	845
Back-Up Ring Kits	846
Retainer Ring Kits	847
Assortment Kits	848 - 852
Installation Tools	852 - 853
Splice Tools	853 - 854
Cutting and Chopping Tools	853
Removal Tools	854 - 857
Dismantling Tools	858
Lifting Slings and Leak Detection Products	859
Remanufacturing Tools	860 - 862
Rotary Thread	863 - 865
Measuring Tools	866 - 869
Hercules Merchandise	870



Scan for:

Assortment Kits & Tools
on our website

O-RING KITS

O-RING KIT

Part Number: 568 KIT-A

List Price: \$56.53

DASH NUMBER	QTY
006 THRU 012	20
110 THRU 116	13
210 THRU 222	10
325 THRU 327	7



This kit contains a total of 382 O-Rings in 30 different sizes, providing an extremely low cost per size value.

HNBR O-RING KIT

Part Number: 568 HNBR KIT

List Price: \$89.60

PART NUMBER	QTY
568-008H	20
568-010H	20
568-011H	20
568-012H	20
568-013H	20
568-014H	20
568-015H	15
568-017H	15
568-111H	15
568-116H	15
568-118H	10
568-211H	10



This kit contains a total of 200 70A Durometer HNBR o-rings in 12 different sizes, providing an extremely low cost per size value.

O-RING METRIC KIT

Part Number: METRIC O KIT-J-A

List Price: \$90.96

I.D X C.S. (mm)	QTY	I.D X C.S. (mm)	QTY	I.D X C.S. (mm)	QTY
3 X 2.0	16	14 X 2.5	13	28 X 3.0	12
4 X 2.0	16	16 X 2.5	13	30 X 3.0	12
5 X 2.0	16	17 X 2.5	13	32 X 3.0	12
6 X 2.0	16	19 X 2.5	13	33 X 3.0	12
7 X 2.0	16	19 X 3.0	11	35 X 3.0	12
8 X 2.0	16	20 X 3.0	12	36 X 3.0	12
10 X 2.0	16	22 X 3.0	12	38 X 3.0	12
10 X 2.5	13	24 X 3.0	12	38 X 4.0	9
11 X 2.5	13	25 X 3.0	12	41 X 4.0	9
12 X 2.5	13	27 X 3.0	12	44 X 4.0	9

The Metric O-Kit J-A contains a total of 385 O-Rings in 30 different sizes, another extremely low cost per size value.



MASTER O-RING FITTING KIT

Part Number: MASTER OR FITTING KIT

List Price: \$337.00

PORT DASH SIZE	PART NUMBER	QTY	PORT DASH SIZE	PART NUMBER	QTY
SAE BOSS #4	568-904	50	ORS #8	568-014-90D	50
SAE BOSS #5	568-905	50	ORS #10	568-016-90D	50
SAE BOSS #6	568-906	50	ORS #12	568-018-90D	50
SAE BOSS #8	568-908	50	ORS #16	568-021-90D	50
SAE BOSS #10	568-910	50	ORS #20	568-025-90D	50
SAE BOSS #12	568-912	50	ORS #24	568-029-90D	40
SAE BOSS #14	568-914	40	SAE #8	568-210-90D	50
SAE BOSS #16	568-916	40	SAE #12	568-214-90D	50
SAE BOSS #20	568-920	20	SAE #16	568-219-90D	20
SAE BOSS #24	568-924	10	SAE #20	568-222-90D	20
SAE BOSS #32	568-932	10	SAE #24	568-225-90D	20
ORS #4	568-011-90D	50	SAE #32	568-228-90D	20
ORS #6	568-012-90D	50	SAE #40	568-232-90D	10



This 1000 piece assortment contains 1/16" CS, 1/8" CS, and Boss 90A Durometer NBR O-rings in 26 of the most popular fitting sizes, including O-ring face seals and SAE straight thread boss fittings. Individually separated inside of a sturdy steel case.

O-RING KITS

SAE FLANGE SEALS

Part Number: SAE FLANGE SEALS
List Price: \$58.93

BOX PART NUMBER	PART NUMBER	QTY
-8	568-210-90D	8
-12	568-214-90D	8
-16	568-219-90D	8
-20	568-222-90D	8
-24	568-225-90D	8
-32	568-228-90D	8



Fits SAE J518 code 61/62 split flanges.

FLAT FACE SEALS

Part Number: FLAT FACE O-RINGS
List Price: \$61.26

BOX PART NUMBER	PART NUMBER	QTY
-4	568-011-90D	8
-6	568-012-90D	8
-8	568-014-90D	8
-10	568-016-90D	8
-12	568-018-90D	8
-16	568-021-90D	8
-20	568-025-90D	8
-24	568-029-90D	8



Fits SAE O-ring face seal fittings.

BOSS & TUBE SEALS

Part Number: BOSS-TUBE FITTINGS-1
List Price: \$42.25
Part Number: BOSS-TUBE FITTINGS-2
List Price: \$60.40

BOX PART NUMBER	PART NUMBER	QTY	KIT NUMBER
-2	568-902	8	FITTINGS-1
-3	568-903	8	FITTINGS-1
-4	568-904	8	FITTINGS-1
-5	568-905	8	FITTINGS-1
-6	568-906	8	FITTINGS-1
-8	568-908	8	FITTINGS-1
-10	568-910	8	FITTINGS-1
-12	568-912	8	FITTINGS-1
-14	568-914	8	FITTINGS-1
-16	568-916	8	FITTINGS-2
-20	568-920	8	FITTINGS-2
-24	568-924	8	FITTINGS-2
-32	568-932	8	FITTINGS-2

Fits SAE Boss straight thread tube fittings.



HOSE END & ADAPTER KIT

Part Number: O-R FITTING KIT
List Price: \$240.23

This handy kit contains 27 sizes and 216 pieces of 90A Durometer O-rings for boss, split flange, and flat face hose end fittings and adapters. Each box has a graphic label identifying the type of application and dash number for the seal. A chart on the back of the box lists popular OEM part number matches for each O-ring.



Part Number: O-R FITTING KIT-V
List Price: \$524.87

This handy kit contains 27 sizes and 216 pieces of 90A Durometer O-rings for boss, split flange, and flat face hose end fittings and adapters. Each box has a graphic label identifying the type of application and dash number for the seal. A chart on the back of the box lists popular OEM part number matches for each O-ring.



O-RING KITS

SAE 900 O-RING BOSS FLUOROCARBON KIT

Part Number: 900 BOSS FC
List Price: \$306.47

PART NUMBER	QTY	SAE PORT SIZE
568-901V	10	-1
568-902V	10	-2
568-903V	10	-3
568-904V	10	-4
568-905V	12	-5
568-906V	12	-6
568-907V	12	-7
568-908V	12	-8
568-909V	12	-9
568-910V	12	-10
568-911V	10	-11
568-912V	10	-12
568-913V	10	-13
568-914V	10	-14
568-916V	10	-16
568-918V	10	-18
568-920V	10	-20
568-924V	10	-24
568-928V	10	-28
568-932V	10	-32



This 212 piece assortment contains the most popular size 90 Durometer FKM Boss O-rings in 20 different fitting sizes, individually separated, which will supply your shop, service truck, or parts counter with the sizes you need!

SAE J514 O-RING BOSS KIT

Part Number: 900 BOSS KIT
List Price: \$59.25

PART NUMBER	QTY	SAE PORT SIZE
568-901	10	-1
568-902	10	-2
568-903	10	-3
568-904	10	-4
568-905	12	-5
568-906	12	-6
568-907	12	-7
568-908	12	-8
568-909	12	-9
568-910	12	-10
568-911	10	-11
568-912	10	-12
568-913	10	-13
568-914	10	-14
568-916	10	-16
568-918	10	-18
568-920	10	-20
568-924	10	-24
568-928	10	-28
568-932	10	-32



This 212 piece assortment contains the most popular size 90 Durometer Boss O-rings in 20 different fitting sizes, individually separated, which will supply your shop, service truck, or parts counter with the sizes you need!

O-RING FACE KIT

Part Number: 568 FACE KIT
List Price: \$53.10

DASH NUMBER	FITTING	QTY
011-90D	#4	25
012-90D	#6	25
014-90D	#8	25
016-90D	#10	25
018-90D	#12	20
021-90D	#16	15
025-90D	#20	10
029-90D	#24	10



This kit contains a total of 155 90 Durometer O-Rings in 8 different sizes, providing an extremely low cost per size value.

SAE CODE 61 & 62 O-RING FLANGE KIT

Part Number: 568 FLANGE KIT
List Price: \$62.47

DASH NUMBER	FITTING	QTY
210-90D	1/2"	10
214-90D	3/4"	10
219-90D	1"	10
222-90D	1-1/4"	10
225-90D	1-1/2"	10
228-90D	2"	10
232-90D	2-1/2"	10



This kit contains a total of 70, 90 Durometer O-Rings, in 7 different sizes, providing an extremely low cost per size value.

O-RING KITS

SPLIT FLANGE SEAL KIT

Part Number: SFS KIT

List Price: \$168.50

PART NUMBER	Flange Size	Replaces O-Ring No.	Outside Diam.	QTY
SFS-8	1/2"	-210	1.005	5
SFS-12	3/4"	-214	1.255	5
SFS-16	1"	-219	1.565	5
SFS-20	1-1/4"	-222	1.755	5
SFS-24	1-1/2"	-225	2.125	5
SFS-32	2"	-228	2.500	5
SFS-40	2-1/2"	-232	3.005	5



This kit contains 35 seals in 7 popular sizes for SAE J518 4-Bolt code 61 and code 62 split flanges.

U.S. INDUSTRIAL O-RING KIT

Part Number: 568 KIT

List Price: \$69.86

DASH NUMBER	QTY
005 THRU 011	25
012	15
013 THRU 018	10
110	15
111 THRU 116	10
117 THRU 121	7
210 THRU 211	10
212 THRU 219	7



This kit contains a total of 436 70 Durometer O-Rings in 36 different sizes, providing an extremely low cost per size value.

QUAD RING KIT

Part Number: QUAD-RING KIT

List Price: \$172.02

DASH NUMBER	QTY
4005 THRU 4012	10
4013 THRU 4016	6
4017 THRU 4018	5
4110 THRU 4116	6
4117 THRU 4121	4
4210 THRU 4219	5



The Quad-Ring Kit contains 226 four-lobed seals in 36 popular sizes along with a contents identification card. The Quad Seals are molded from a premium quality 70 durometer Nitrile (Buna-N) compound. Quad Seal sizes correspond to AS568 O-Ring sizes.

QUAD WAREHOUSE KIT

Part Number: QUAD-RING WH KIT

List Price: \$578.48

DASH NUMBER	QTY
4004 THRU 4012	10
4013 THRU 4030	5
4031 THRU 4038	3
4039 THRU 4048	2
4108 THRU 4116	10
4117 THRU 4124	5
4125 THRU 4135	3
4136 THRU 4154	2
4204 THRU 4216	5
4217 THRU 4229	3
4230 THRU 4338	2



Similar to the O-Ring Warehouse kit, the Quad Seal Warehouse kit contains a total of 583 four-lobed seals in 145 different sizes. This kit is ideal for the small distributor who wishes to have a comprehensive on-hand inventory of Quad seals for counter sales.

O-RING KITS

90 DUROMETER O-RING KIT

Part Number: 568 90D KIT

List Price: \$99.49

DASH NUMBER	QTY
005 THRU 011-90D	25
012-90D	15
013 THRU 018-90D	10
110-90D	15
111 THRU 116-90D	10
117 THRU 121-90D	7
210 THRU 211-90D	10
212 THRU 219-90D	7



This kit contains a total of 436 90 Durometer O-Rings in 36 different sizes, providing an extremely low cost per size value.

PTFE O-RING KIT

Part Number: 568 PTFE KIT

List Price: \$172.22

DASH NUMBER	QTY
005 THRU 012T	15
013 THRU 018T	10
110 THRU 116T	10
117 THRU 121T	5
210 THRU 219T	5



This kit contains a total of 325 PTFE O-Rings (55 - 58 Shore D) in 36 different sizes. PTFE O-Rings can withstand temperatures up to 500° F and are impervious to a wide range of chemicals.

FLUOROCARBON O-RING KIT

Part Number: 568 FC KIT

List Price: \$435.86

DASH NUMBER	QTY
005 THRU 011V	25
012V	15
013 THRU 018V	10
110V	15
111 THRU 116V	10
117 THRU 121V	7
210 THRU 211V	10
212 THRU 219V	7



This kit contains a total of 436 75 Durometer Fluorocarbon O-Rings in 36 different sizes, providing an extremely low cost per size value.

FLUOROCARBON O-RING KIT

Part Number: 568 FC KIT-A

List Price: \$192.98

DASH NUMBER	QTY
006 THRU 012	10
110 THRU 114	10
115 THRU 116	5
210 THRU 214	5
216 THRU 222	2
325 THRU 327	2



This kit contains a total of 180 75 Shore A fluorocarbon o-rings in 30 different sizes.

VITON KIT

Part Number: METRIC O KIT-V

List Price: \$173.57

I.D.	C.S	QTY	I.D.	C.S	QTY	I.D.	C.S	QTY
5.00	1.50	20	9.00	2.00	15	19.00	2.00	10
2.20	1.60	20	10.00	2.00	15	20.00	2.00	10
3.10	1.60	20	12.00	2.00	15	10.00	2.50	10
4.10	1.60	20	4.30	2.40	15	13.00	2.50	10
7.10	1.60	20	5.30	2.40	15	14.00	2.50	10
4.00	2.00	20	5.60	2.40	15	15.00	2.50	10
6.00	2.00	20	7.60	2.40	15	17.00	2.50	10
13.00	1.50	15	8.30	2.40	15	18.00	2.50	10
9.10	1.60	15	8.60	2.40	15	19.00	2.50	10
10.10	1.60	15	16.00	1.50	10	9.00	3.00	10
13.10	1.60	15	14.00	2.00	10	10.00	3.00	10
8.00	2.00	15	16.00	2.00	10	11.00	3.00	10



This 500 piece kit contains 75 Shore A fluorocarbon o-rings in 36 metric sizes.

O-RING KITS

O-RING WAREHOUSE KIT

Part Number: 568 WH KIT

List Price: \$868.90

DASH NUMBER	QTY	DASH NUMBER	QTY	DASH NUMBER	QTY
001 THRU 016	20	125 THRU 142	5	325 THRU 328	5
017 THRU 024	10	143 THRU 146	3	329 THRU 330	4
025 THRU 031	7	147 THRU 151	2	331 THRU 338	2
032 THRU 043	5	210 THRU 216	10	901 THRU 914	5
044 THRU 046	2	217 THRU 229	5	916, 918	5
110 THRU 116	15	230 THRU 232	3	920, 924	5
117 THRU 124	10	233 THRU 237	2	928, 932	5

Our O-ring Warehouse kit is ideally suited for the repair shop that needs a large on-hand selection of O-rings to ensure quick repair of all machine types. 1,110 O-Rings in 150 different sizes are included in this kit. Each size is individually packaged in heavy duty ziploc bags to protect against environmental exposure and contamination. All packages are then stored in a sturdy styrene cabinet with pull-out drawers for easy access to parts. Included card shows size, dimensions, and drawer location for each ring.



90 DUROMETER O-RING WAREHOUSE KIT

Part Number: 568 WH KIT-90D

List Price: \$814.43

DASH NUMBER	QTY	DASH NUMBER	QTY
001 THRU 016-90D	20	217 THRU 229-90D	5
017 THRU 024-90D	10	230 THRU 232-90D	3
025 THRU 031-90D	7	233 THRU 237-90D	2
032 THRU 043-90D	5	325 THRU 328-90D	5
044 THRU 046-90D	2	329 THRU 330-90D	4
110 THRU 116-90D	15	331 THRU 338-90D	2
117 THRU 124-90D	10	901 THRU 914-90D	5
125 THRU 142-90D	5	916, 918-90D	5
143 THRU 146-90D	3	920, 924-90D	5
147 THRU 151-90D	2	928, 932-90D	5
210 THRU 216-90D	10		

Our 90 Durometer O-ring Warehouse kit is ideally suited for the repair shop that needs a large on-hand selection of O-Rings to insure quick repair of all machine types. 1,110 O-Rings in 150 different sizes are included in this kit.



FLUOROCARBON O-RING WAREHOUSE KIT

Part Number: 568 WH KIT-FC

List Price: \$1,172.55

DASH NUMBER	QTY	DASH NUMBER	QTY	DASH NUMBER	QTY
001 THRU 016V	20	125 THRU 142V	5	325 THRU 328V	5
017 THRU 024V	10	143 THRU 146V	3	329 THRU 330V	4
025 THRU 031V	7	147 THRU 151V	2	331 THRU 338V	2
032 THRU 043V	5	210 THRU 216V	10	901 THRU 914V	5
044 THRU 046V	2	217 THRU 229V	5	916V, 918V	5
110 THRU 116V	15	230 THRU 232V	3	920V, 924V	5
117 THRU 124V	10	233 THRU 237V	2	928V, 932V	5

Our 75 Durometer Fluorocarbon O-ring Warehouse kit is ideally suited for the repair shop that needs a large on-hand selection of O-rings to ensure quick repair of all machine types. 1,110 O-Rings in 150 different sizes are included in this kit. Each size is individually packaged in heavy duty ziploc bags to protect against environmental exposure and contamination. All packages are then stored in a sturdy styrene cabinet with pull-out drawers for easy access to parts. Included card shows size, dimensions, and drawer location for each ring.



O-RING KITS

MAX O-RING KIT

Part Number: MAX 1381 KIT
List Price: \$594.72

Part Number: MAX 1381 KIT-90D
List Price: \$680.81



These sturdy kits, packaged in a heavy duty box, contain 1415 O-Rings in the most popular sizes. Every service truck should have one of these. Five internal boxes contain 1/16" C/S, 3/32" C/S, 1/8" C/S, Boss, and Flange fitting o-rings. Contents and quantities are listed below.

Flange Seals

DASH NUMBER	QTY
8	10
12	10
16	10
20	5
24	5
32	5

Boss O-Rings

DASH NUMBER	QTY
903	15
904	25
905	15
906	25
908	25
910	25
912	15
916	10

1/16" C/S O-Rings

DASH NUMBER	QTY
006 THRU 018	25
019 THRU 021	20
022 THRU 026	15
028	15
029	10
030	10

1/8" C/S O-Rings

DASH NUMBER	QTY
210 THRU 214	20
215 THRU 222	15
223 THRU 224	10
226	10
228	10
232	10
236	10

3/32" C/S O-Rings

DASH NUMBER	QTY
109 THRU 118	25
119 THRU 120	20
121 THRU 127	15
128	10
129	10
131	10
133	10
135	5

O-RING KITS

COMMON JAPANESE SIZE O-RINGS IN 70 DUROMETER

Part Number: METRIC O KIT-J

List Price: \$109.56

I.D.	C.S	QTY	I.D.	C.S	QTY
2.8	1.9	25	20.8	2.4	8
3.8	1.9	20	21.8	2.4	8
4.8	1.9	20	24.4	3.1	6
5.8	1.9	20	29.4	3.1	7
6.8	1.9	15	21.7	3.5	5
7.8	1.9	15	22.1	3.5	5
8.8	1.9	15	23.7	3.5	7
9.8	1.9	15	24.7	3.5	7
9.8	2.4	15	25.2	3.5	7
10.8	2.4	15	25.7	3.5	7
11.0	2.4	15	27.7	3.5	7
11.8	2.4	12	28.7	3.5	6
12.8	2.4	12	29.2	3.5	6
13.8	2.4	12	29.7	3.5	6
14.8	2.4	12	30.7	3.5	6
15.8	2.4	12	31.2	3.5	6
17.8	2.4	8	14.5	4.0	4
19.8	2.4	8	23.5	4.0	6



This 380 piece kit contains the most popular Japanese Industrial metric O-ring sizes.

COMMON EUROPEAN SIZE O-RINGS IN 70 DUROMETER

Part Number: METRIC O KIT-E

List Price: \$83.70

I.D.	C.S.	QTY	I.D.	C.S.	QTY
5.0	1.5	20	19.0	2.0	10
13.0	1.5	15	20.0	2.0	10
16.0	1.5	10	4.3	2.4	15
2.2	1.6	20	5.3	2.4	15
3.1	1.6	20	5.6	2.4	15
4.1	1.6	20	7.6	2.4	15
7.1	1.6	20	8.3	2.4	15
9.1	1.6	15	8.6	2.4	15
10.1	1.6	15	10.0	2.5	10
13.1	1.6	15	13.0	2.5	10
4.0	2.0	20	14.0	2.5	10
6.0	2.0	20	15.0	2.5	10
8.0	2.0	15	17.0	2.5	10
9.0	2.0	15	18.0	2.5	10
10.0	2.0	15	19.0	2.5	10
12.0	2.0	15	9.0	3.0	10
14.0	2.0	10	10.0	3.0	10
16.0	2.0	10	11.0	3.0	10



This 500 piece kit contains the most popular European metric O-ring sizes.

O-RING KITS

COMMON JAPANESE SIZE O-RINGS IN 90 DUROMETER

Part Number: METRIC O KIT-J-90D

List Price: \$266.60

I.D.	C.S.	QTY	I.D.	C.S.	QTY
2.8	1.9	25	20.8	2.4	8
3.8	1.9	20	21.8	2.4	8
4.8	1.9	20	24.4	3.1	6
5.8	1.9	20	29.4	3.1	7
6.8	1.9	15	21.7	3.5	5
7.8	1.9	15	22.1	3.5	5
8.8	1.9	15	23.7	3.5	7
9.8	1.9	15	24.7	3.5	7
9.8	2.4	15	25.2	3.5	7
10.8	2.4	15	25.7	3.5	7
11.0	2.4	15	27.7	3.5	7
11.8	2.4	12	28.7	3.5	6
12.8	2.4	12	29.2	3.5	6
13.8	2.4	12	29.7	3.5	6
14.8	2.4	12	30.7	3.5	6
15.8	2.4	12	31.2	3.5	6
17.8	2.4	8	14.5	4.0	4
19.8	2.4	8	23.5	4.0	6



This 380 piece kit contains the most popular Japanese Industrial metric O-ring sizes in 90 durometer NBR.

COMMON EUROPEAN SIZE O-RINGS IN 90 DUROMETER

Part Number: METRIC O KIT-E-90D

List Price: \$284.90

I.D.	C.S.	QTY	I.D.	C.S.	QTY
5.0	1.5	20	19.0	2.0	10
13.0	1.5	15	20.0	2.0	10
16.0	1.5	10	4.3	2.4	15
2.2	1.6	20	5.3	2.4	15
3.1	1.6	20	5.6	2.4	15
4.1	1.6	20	7.6	2.4	15
7.1	1.6	20	8.3	2.4	15
9.1	1.6	15	8.6	2.4	15
10.1	1.6	15	10.0	2.5	10
13.1	1.6	15	13.0	2.5	10
4.0	2.0	20	14.0	2.5	10
6.0	2.0	20	15.0	2.5	10
8.0	2.0	15	17.0	2.5	10
9.0	2.0	15	18.0	2.5	10
10.0	2.0	15	19.0	2.5	10
12.0	2.0	15	9.0	3.0	10
14.0	2.0	10	10.0	3.0	10
16.0	2.0	10	11.0	3.0	10



This 500 piece kit contains the most popular European metric O-ring sizes in 90 durometer NBR.

O-RING SPLICE KITS

O-RING SPLICE KIT INCH SIZES

Part Number: 568 SPLICE KIT
List Price: \$84.49

Kit Contains:

1. Stock of 70 Durometer Buna O-ring Cord*
2. Razor Blade
3. Splicing tool
4. Tube of Adhesive

Replacement Parts

Parts:	List Price
568 SPLICE TOOL	\$16.73 ea
568 ADHESIVE	\$12.71 ea
70 Duro. Cord	



*Cross Sections: 1/16"(.070), 3/32"(.103), 1/8"(.139), 3/16"(.210), 1/4"(.275).
Length: 7 Feet Each

O-RING SPLICE KIT INCH & METRIC SIZES

Part Number: MET/INCH SPLICE KIT
List Price: \$149.68

This kit can produce O-Rings of any standard inch size cross-section plus a wide variety of metric sizes. Each kit contains quick drying adhesive, cutting and splicing jig, razor blade, and 14 lengths of 70 Durometer Buna-N cord stock as follows:

Inch cross-sections: (inch)

1/16" (.070), 3/32" (.103), 1/8" (.139),
3/16" (.210), 1/4" (.275)

Metric cross-sections: (mm)

1.6, 2.0, 2.5, 3.0, 3.5, 4.0, 5.0, 5.7, 8.4

Length: 1 Meter Each



These kits can produce O-Rings of any circumference. The 568 kit contains the most popular inch cross sectional sized O-ring cord. The Metric and Inch Kit has both standard inch size cross sectional cord plus a wide variety of metric sized cord. Both kits contain quick drying adhesive, a cutting and splicing jig, a razor blade and 70 Durometer Buna-N cord.

FLUOROCARBON O-RING SPLICE KIT INCH SIZES

Part Number: 568 FC SPLICE KIT
List Price: \$302.20

Kit Contains:

1. Stock of 75 Durometer Fluorocarbon Cord*
2. Razor Blade
3. Splicing tool
4. Tube of Adhesive

Replacement Parts

Parts:	List Price
568 SPLICE TOOL	\$16.73 ea
568 ADHESIVE	\$12.71 ea
75 Duro. Fluorocarbon Cord	



*Cross Sections: 1/16" (.070), 3/32"(.103), 1/8"(.139), 3/16"(.210),
1/4"(.275). Length: 7 Feet Each

BACK-UP RING KITS

574 BACK-UP RING KIT

Part Number: 574 KIT

List Price: \$148.11

PART NUMBER	QTY	PART NUMBER	QTY
574-005	10	574-114	10
574-006	10	574-115	10
574-007	10	574-116	10
574-008	10	574-117	5
574-009	10	574-118	5
574-010	10	574-119	5
574-011	10	574-120	5
574-012	10	574-121	5
574-013	10	574-210	7
574-014	10	574-211	7
574-015	10	574-212	7
574-016	10	574-213	7
574-017	10	574-214	5
574-018	10	574-215	5
574-110	10	574-216	5
574-111	10	574-217	5
574-112	10	574-218	5
574-113	10	574-219	5



This 293 piece kit contains 36 of the most popular size "Parback®" Style Dished Cross Section back-up rings. Molded of 90A Durometer Buna-N Rubber, they stretch for installation and return quickly to their original size. SIZES CORRESPOND TO O-RING NUMBERS. Your shop and service truck should not be without this handy kit.

575 BACK-UP RING KIT

Part Number: 575 KIT

List Price: \$325.30

PART NUMBER	QTY	PART NUMBER	QTY
575-111	25	575-216	25
575-112	25	575-217	15
575-113	25	575-218	15
575-114	25	575-219	15
575-115	25	575-220	15
575-116	25	575-221	15
575-210	25	575-222	15
575-211	25	575-223	15
575-212	25	575-224	15
575-213	25	575-325	10
575-214	25	575-326	10
575-215	25	575-327	10



This 475 piece kit contains 24 of the most popular size urethane back-up rings. This assortment is essential for parts counters, shop use, and service trucks.

PTFE BACK-UP RING KIT

Part Number: 575 PTFE KIT S

List Price: \$337.70

PART NUMBER	QTY	PART NUMBER	QTY
575-005ST	15	575-114ST	10
575-006ST	15	575-115ST	10
575-007ST	15	575-116ST	10
575-008ST	15	575-117ST	5
575-009ST	15	575-118ST	5
575-010ST	15	575-119ST	5
575-011ST	15	575-120ST	5
575-012ST	15	575-121ST	5
575-013ST	10	575-210ST	5
575-014ST	10	575-211ST	5
575-015ST	10	575-212ST	5
575-016ST	10	575-213ST	5
575-017ST	10	575-214ST	5
575-018ST	10	575-215ST	5
575-110ST	10	575-216ST	5
575-111ST	10	575-217ST	5
575-112ST	10	575-218ST	5
575-113ST	10	575-219ST	5

This 325 piece kit contains 36 of the most popular size PTFE Back-up Rings. These rings are compatible with all hydraulic fluids, since they are virtually chemically inert, and can be used in applications involving elevated operating temperatures. These rings are scarf cut to facilitate installation.



RETAINER RING KITS

SPIRAL WOUND

Part Number: SRR KIT
List Price: \$410.27

PART NUMBER	QTY.	PART NUMBER	QTY.
WHM-050	12	WSM-050	12
WHM-062	12	WSM-062	12
WHM-075	12	WSM-075	12
WHM-087	12	WSM-087	12
WHM-100	12	WSM-100	12
WHM-112	12	WSM-112	12
WHM-125	12	WSM-125	12
WHM-137	12	WSM-137	12
WHM-150	12	WSM-150	12



EATON

Part Number: ERR KIT
List Price: \$524.15

PART NUMBER	QTY.	PART NUMBER	QTY.
NAN-050	12	XAN-050	12
NAN-062	12	XAN-062	12
NAN-075	12	XAN-075	12
NAN-087	12	XAN-087	12
NAN-100	12	XAN-100	12
NAN-112	12	XAN-112	12
NAN-125	12	XAN-125	12
NAN-137	12	XAN-137	12
NAN-150	12	XAN-150	12



Each kit contains: 18 sizes - 9 internal, 9 external • 216 rings per box • 12 rings per size

Each kit has an assortment of retainer rings (Spiral and Eaton style) packed in a reusable plastic box. All rings are made in the USA from carbon spring steel.

EXTERNAL RETAINER RINGS

Part Number: 310 KIT
List Price: \$138.88

PART NUMBER	SHAFT SIZE	QTY.	PART NUMBER	SHAFT SIZE	QTY.
310-100	1.000	5	310-200	2.000	5
310-125	1.250	5	310-225	2.250	5
310-137	1.375	5	310-250	2.500	5
310-150	1.500	5	310-275	2.750	3
310-175	1.750	5	310-300	3.000	3



This assortment contains the most popular size retainer rings commonly used in many applications such as pumps, motors, and forklift cylinders. Boxed in a handy storage and display case, which will supply your shop, service truck, or parts counter with the sizes you need!

INTERNAL RETAINER RINGS

Part Number: 300 KIT
List Price: \$297.11

PART NUMBER	BORE SIZE	QTY.	PART NUMBER	BORE SIZE	QTY.
300-075	0.750	10	300-200	2.000	10
300-087	0.875	10	300-225	2.250	5
300-100	1.000	10	300-250	2.500	5
300-112	1.125	10	300-275	2.750	5
300-125	1.250	10	300-300	3.000	5
300-137	1.375	10	300-350	3.500	5
300-150	1.500	10	300-400	4.000	5
300-162	1.625	10	300-450	4.500	2
300-175	1.750	10	300-500	5.000	2



ASSORTMENT KITS

CAT® D-RING KIT

Part Number: CTC-4C4784

List Price: \$248.19

PART NUMBER	ID	QTY.
1P3700	19.0	10
1P3702	25.4	10
1P3703	31.9	10
1P3704	38.2	10
1P3705	44.7	10
1P3706	51.1	10
1P3707	54.2	10
1P3708	57.4	5
1P3709	63.9	5



This handy kit, in an unbreakable box, contains the 9 most popular sized D-Rings used on Caterpillar® equipment.

CAT® SILICONE O-RING KIT

Part Number: CTC-4C8253

List Price: \$668.59

PART NUMBER	QTY.	PART NUMBER	QTY.
8M4986	10	8M4992	3
8M8157	5	8M4443	3
8M4437	10	9M9647	3
8M4438	5	8M5010	3
8M4389	5	1S0004	5
8M8283	3	9H6067	5
8M5252	3	9M4849	5
8M5661	3	8M4991	3
8M8515	5	2S2251	5
8M4432	5	8M4390	3
8M5248	5	8M4435	5
8M5254	5	8M4445	5
9M7002	3	8M4446	5
8M4436	3	8M4988	5
8M4987	10	8M4990	3
8M5249	5	6L1651	3



This handy kit, in an unbreakable box, contains 149 silicone o-rings in the 32 most popular sizes used on Caterpillar® equipment.

CAT® FLANGE KIT

Part Number: CTC-2701545

List Price: \$64.44

PART NUMBER	QTY.
4J0524	10
4J0527	10
4J0522	10
4J5267	10
4J5140	10
4J0520	10



This handy kit contains the 6 most popular sized flange seals o-rings used on Caterpillar® equipment.

CAT® NITRILE O-RING KIT

Part Number: CTC-4C4782

List Price: \$419.37

PART NUMBER	QTY.	PART NUMBER	QTY.
4J0527	10	3D2824	20
4J7533	20	2S4078	20
7J0204	20	4J0524	15
3J7354	20	6V9746	20
1J9671	20	5K9090	20
3J1907	20	6V8400	20
4K1388	20	8T0315	20
4J0526	10	6K6307	20
4J0522	15	4J0523	15
4J0520	15	4J5477	20
4J5267	20	6V8397	20
2M9780	20	6V8398	20
7M8485	20	7J9108	20
4J0525	10	3K0360	20
4J0519	15	304606	20
4J5140	20		



This handy kit, in an unbreakable box, contains 570 nitrile o-rings in the 32 most popular sizes used on Caterpillar® equipment.

ASSORTMENT KITS

JOHN DEERE O-RING KIT

Part Number: JD-32X451

List Price: \$103.25

This John Deere O-Ring kit contains a total of 451 components, 70 Shore A and 90 Shore A O-rings. OEM parts numbered for easy reference.

CONTENTS OF KIT

- 160 flat-face fittings
- 291 low pressure fittings



PART NUMBER	QTY.	PART NUMBER	QTY.
R26976	20	T76938*	20
R27490	20	R495R	10
A4365R	20	R27149	10
T77814*	20	A4730R*	10
T77613*	20	T78612*	20
T77857*	20	A3606R	10
F3353R	13	R1225R	10
P46051	13	R29463	10
R394R	13	U12037	10
R459R	13	T78784*	20
T77932*	20	R30319	10
R34404	13	U10289	10
T77858*	20	T11220	10
P47889	13	R31378	10
32240	13	B3690R	10
B2762R	10	P50631	10

* Used for ORS fittings.

JOHN DEERE O-RING KIT

Part Number: JD-AT264180

List Price: \$105.88

This John Deere O-Ring kit contains a total of 82 components, 70 Shore A NBR and 90 Shore A fluorocarbon o-rings. OEM parts numbered for easy reference.



PART NUMBER	QTY.	PART NUMBER	QTY.
0443803	8	4292384	6
0460601	6	4297379	8
4138938	2	4297380	8
4187308	4	4297381	4
4187328	8	4366517	2
4187329	6	4366528	2
4292382	4	971489	4
4292383	8	A810075	2

JOHN DEERE O-RING KIT

Part Number: JD-AT85197

List Price: \$40.23

This kit contains a total of 80, 90 Durometer o-rings in 8 popular sizes used on John Deere equipment.

PART NUMBER	FITTING.	QTY.
T77814	#4	10
T77613	#6	12
T77857	#8	12
T77932	#10	12
T77858	#12	12
T76938	#16	12
T78612	#20	5
T78784	#24	5



KOMATSU O-RING KIT

Part Number: KOM-30-KU-90

List Price: \$484.19

This handy kit, in an unbreakable box, contains 74 21T series o-rings & 165 07000-1 series o-rings in the most popular sizes used on Komatsu equipment.



PART NUMBER	QTY.	PART NUMBER	QTY.	PART NUMBER	QTY.
21T-09-11410	10	07000-12010	10	07000-13025	7
21T-09-11420	8	07000-12011	10	07000-13028	7
21T-09-11430	7	07000-12012	10	07000-13030	7
21T-09-11440	7	07000-12014	10	07000-13032	7
21T-09-11450	7	07000-12015	10	07000-13035	7
21T-09-11460	7	07000-12016	10	07000-13038	5
21T-09-11470	7	07000-12018	10	07000-13040	9
21T-09-11480	7	07000-12020	10	07000-13042	7
21T-09-11490	7	07000-12055	8	07000-13045	7
21T-09-11510	7	07000-13022	7	07000-13048	7

ASSORTMENT KITS

THE ULTIMATE NITRILE O-RING ASSORTMENT

Part Number: 568 KIT-ULTIMATE

List Price: \$ 6,180.85



Includes: 12 drawers and 3 slide racks, plus base. Total weight 232 lbs.

214 Items, 1324 Pieces.

Sizes Include:

-001 THRU -010

-012 THRU -050

-106 THRU -163

-204 THRU -262

-314 THRU -355

-425 THRU -429

3 racks - each one is: 20" wide x 15-3/4" deep x 15" high

1 base - 20-3/8" wide x 16" deep x 15-1/8" high

Approximately 61" from top to bottom

THE ULTIMATE FLUOROCARBON O-RING ASSORTMENT

Part Number: 568 FC KIT-ULTIMATE

List Price: \$ 13,070.39



Includes: 12 drawers and 3 slide racks, plus base. Total weight 232 lbs.

214 Items, 1324 Pieces.

Sizes Include:

-001 THRU -010

-012 THRU -050

-106 THRU -163

-204 THRU -262

-314 THRU -355

-425 THRU -429

3 racks - each one is: 20" wide x 15-3/4" deep x 15" high

1 base - 20-3/8" wide x 16" deep x 15-1/8" high


Approximately 61" from top to bottom

ASSORTMENT KITS

COTTER PIN KIT

Part Number: COTTER PIN KIT

List Price: \$62.65

	1/8" X 1" 150 pcs.	3/32" X 1" 150 pcs.
	1/8" X 1-1/4" 75 pcs.	3/32" X 1-1/2" 100 pcs.
	1/8" X 2" 50 pcs.	5/32" X 2-1/2" 30 pcs.


555 Pieces



WOODRUFF KEY KIT

Part Number: WOODRUFF KEYS KIT

List Price: \$139.74

	1/8" X 1/2" No. 3 16 pcs.	1/8" X 5/8" No. 5 15 pcs.
	3/32" X 5/8" No. 6 15 pcs.	3/16" X 3/4" No. 9 10 pcs.
	1/4" X 7/8" No. A 5 pcs.	1/4" X 1" No. 15 4 pcs.


65 Pieces



GREASE FITTING KIT

Part Number: GREASE FITTING KIT

List Price: \$94.93

	1/8" NPT Straight 6 pcs.	1/4" - 28 Straight 6 pcs.
	3/16" Drive Straight 4 pcs.	1/8" NPT 45 1/8" NPT 90 3 pcs. ea.
	1/4" - 28 45 1/4" - 28 90 3 pc. ea.	5/16" Drive Straight 4 pcs.


32 Pieces



GREASE FITTING KIT-A

Part Number: GREASE FITTING KIT-A

List Price: \$68.82

	1/8" PT Straight 25 pcs.	1/8" PT 45° 1/8" PT 90° 1/8" PT 7.5° 5 pcs.
	1/4"-28 PT Straight 50 pcs.	1/4"-28 PT 45° 1/4"-28 PT 90° 5 pcs.

100 Pieces




NYLON PLUG KIT

Part Number: NYLON PLUG KIT

List Price: \$216.67



	Nyplug-125-125 1/8" x 1/8" 20 pcs.	Nyplug-187-109 3/16" x 7/64" 20 pcs.	Nyplug-250-125 1/4" x 1/8" 20 pcs.	
	Nyplug-125-156 1/8" x 5/32" 20 pcs.	Nyplug-187-187 3/16" x 3/16" 20 pcs.	Nyplug-250-187 1/4" x 3/16" 20 pcs.	Nyplug-312-125 5/16" x 1/8" 20 pcs.
	Nyplug-125-875 1/8" x 7/8" 20 pcs.	Nyplug-187-250 3/16" x 1/4" 20 pcs.	Nyplug-250-250 1/4" x 1/4" 20 pcs.	Nyplug-375-250 3/8" x 1/4" 20 pcs.

220 Pieces
11 Sizes

SET SCREW KIT

Part Number: SSK-INCH

List Price: \$104.41



Use these set screws in confined areas, where there is no room for a protruding head. Nine coarse sizes, three fine sizes.

Hex wrench shown not included. Coarse sizes: 1/8"-40 x 3/16", 5/32"-32 x 3/16", 3/16"-24 x 1/4", 1/4"-20 x 1/4", 1/4"-20 x 3/8", 5/16"-18 x 3/8", 5/16"-18 x 1/2", 3/8"-16 x 3/8", and 3/8"-16 x 1/2".

Fine sizes: 1/4"-28 x 1/4", 5/16"-24 x 3/8", 3/8"-24 x 3/8"

ASSORTMENT KITS & INSTALLATION TOOLS

CAP PLUG KIT

Part Number: CAP PLUG KIT

List Price: \$366.09



The cap plug kit contains 625 cap plugs in 24 of the most popular sizes.

Cap Plug Number	QTY	Cap Plug Number	QTY	Cap Plug Number	QTY
CAP-2-X	50	CAP-PD-100	25	CAP-G-22	20
CAP-4	50	CAP-PD-120	25	CAP-G-25	20
CAP-6-X	50	CAP-PD-140	20	CAP-G-27	20
CAP-9	50	CAP-PD-160	20	CAP-P-28	25
CAP-12-X	25	CAP-G-2	20	CAP-P-38	25
CAP-14	20	CAP-G-8	20	CAP-P-48	25
CAP-PD-60	25	CAP-G-14	20	CAP-P-68-H	25
CAP-PD-80	25	CAP-G-18	20	CAP-P-88-H	20

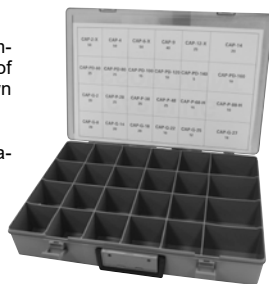
CAP PLUG CASE

Part Number: CAP PLUG CASE

List Price: \$187.86

This rugged case has 24 empty compartments to hold a limited variety of cap plugs from the master kit (shown above).

Case only - cap plugs sold separately.



SEAL TOOL KIT

Part Number: SEAL TOOL KIT

Net Price: \$399.90

Kit contains:

- Piston seal compressor
- Pick set
- Pi Tape
- Seal installation tool set
- Wear strip cutter
- O-ring adhesive
- Precision cord cutter
- Seal install and remove tool
- O-ring detector



QUALITY ROD U-SEAL INSTALLATION TOOLS



Part Number	Seal ID Range		Max Heel Cross Section	Net Price
IT 100	3/4" to 1-1/4"	19 - 31 mm	0.300"	\$31.08
IT 150	1-3/8" to 1-7/8"	35 - 47 mm	0.360"	31.08
IT 200	2" to 3"	51 - 76 mm	0.600"	31.08
IT 100-NN	3/4" to 1-1/4"	19 - 31 mm	0.300"	31.08
IT 150-NN	1-3/8" to 1-7/8"	35 - 47 mm	0.360"	31.08
IT 200-NN	2" to 3"	51 - 76 mm	0.600"	31.08

These tools aid U-seal installation, eliminating the risk of damaging the seal lip. NN = Without Hercules® logo.

Usage Instructions online at www.HerculesUS.com / Technical / Usage and Installation Instructions / IT Tools Installation and Assembly.

VALUE ROD U-SEAL INSTALLATION TOOLS



Part Number	Seal ID Range		Net Price
SEAL TWISTOR M	1-3/16" to 2"	30 - 50 mm	\$17.13
SEAL TWISTOR L	2" to 2-3/4"	50 - 70 mm	19.28
SEAL TWISTOR XL	2-3/4" to 6-1/2"	70 - 165 mm	21.42

These tools aid Rod U-seal installation, eliminating the risk of damaging the seal lip. Usage Instructions online at www.HerculesUS.com / Technical / Usage and Installation Instructions / IT Tools Installation and Assembly.

INSTALLATION TOOL SET

Part Number: SEAL TWISTOR SET

Net Price: \$64.08

Sizes Included	Max Heel Cross Section
S (22 - 30 mm)	6.6 mm
M (30 - 50 mm)	10.7 mm
L (50 - 70 mm)	19.3 mm
XL (70 - 165 mm)	27.1 mm

This handy tool set has 4 different size installation tools, along with a holder.



INSTALLATION / SPLICING / CUTTING TOOLS

SEAL CLASPER

Part Number: SEAL CLASPER

Net Price: \$146.91



The Seal clasper is designed to press a PTFE piston seal back into the groove. The clasper works on seals from 50mm to 360mm OD. It allows a piston seal to be installed into a cylinder safely and rapidly.

The stainless steel belt can be adjusted according to the dimension of seals. The HPU triangle protector prevents seal damage.

How to use:

1. Adjust the length of stainless steel belt to match the seal.
2. Pull the grid to clasp the PTFE piston seal back into groove.

Part Number: SEAL CLASPER XL

Net Price: \$283.11



The Seal clasper is designed to press a PTFE piston seal back into the groove. The Clasper XL works on seals from 350mm to 710mm OD. It allows a piston seal to be installed into a cylinder safely and rapidly.

The stainless steel belt can be adjusted according to the dimension of seals. The HPU triangle protector prevents seal damage.

How to use:

1. Adjust the length of stainless steel belt to match the seal.
2. Pull the grid to clasp the PTFE piston seal back into groove.

SPLICE IRON

Part Number: SEAL HEATER

Net Price: \$59.86



100 to 400°C

ULTRASHARP 4.0 REPLACEMENT BLADES

Part Number: ULTRASHARP 4.0 BLADE

Net Price: \$9.02

A pack of 10 replacement blades for the "ULTRASHARP 4.0" tool.



O-RING SPLICE TOOL

Part Number: OR SPLICER

Net Price: \$44.69

- Splicing tool for o-rings
- For cross section diameter from 2.5 to 20 mm
- Clamping plates for locking
- Aluminium stands for use with glue or heat



O-RING SPLICE KIT

Part Number: OR SPLICE KIT

Net Price: \$258.86

Kit contains:

- Splice iron
- Pi tape
- Grinding tool
- O-ring adhesive
- Precision cord cutter
- Splice tool



ULTRASHARP 4.0

Part Number: ULTRASHARP 4.0

Net Price: \$71.61



This heavy duty Ultrasharp 4.0 cutter is capable of cutting fabric resin bearing tape up to 4mm thick and 40mm wide. This cutting tool can be easily adjusted to cut at 45°, 60° and 90° with a simple turn of the positioning wheel. It comes with 10 extra cutting blades and spare parts for easy replacement.

INSTALLATION / SPLICING / REMOVAL TOOLS

O-RING CORD CHOPPER

Part Number: ORC CHOPPER

Net Price: \$52.25



- Cuts o-ring cord to prepare it for splicing
- Suitable for cross section from 0.103 to 0.551 inches (2.62 to 14 mm)

CHOPPER BLADES

Part Number: ORC CHOPPER BLADE

Net Price: \$10.39



Quantity of 20 Chopper Blades.

COMBINATION SNAP RING PLIER SET

Part Number: SR PLIER 4PC SET

Net Price: \$23.49

- Effective Range 10-50mm (3/8" - 2.00")
- Combination Internal - External snapping plier set
- Set comes with 180°, 90°, 45°, 3 piece convertible tips.
- Jaws can be exchanged easily for 6 internal - external different purposes



OIL SEAL REMOVAL & INSTALLATION TOOL

Part Number: SR TOOL

Net Price: \$96.15



SSOR PICKER

Part Number: SSOR PICKER

Net Price: \$14.02



A set of 4 picks uniquely designed with spring steel round tips to prevent scratching delicate surfaces such as bronze or damaging O-rings during removal.

O-RING PICK SET

Part Number: OR HOOK

Net Price: \$11.65

This Value package of O-ring Picks in plastic carrying case, aid in the installation and extraction of O-rings.



REMOVAL TOOLS

INTERNAL PLIERS

Part Number: 5R INT PLIER

Net Price: \$66.33

Part Number: 7R INT PLIER

Net Price: \$104.76

*5R INT Plier is an internal plier with a
.090° DIA, 0°
- Effective Range 45-89mm (1.81" - 3-1/2")

*7R INT Plier is a large internal plier with
a .120° DIA, 0°
- Effective Range 77-152mm (3.06" - 6.00")



EXTERNAL PLIERS

Part Number: 66R EXT PLIER

Net Price: \$66.33

Part Number: 8R EXT PLIER

Net Price: \$120.90

*66R EXT Plier is an external plier with a
.115° DIA, 0°
- Effective Range 45-89mm (1.81" - 3-1/2")

*8R EXT Plier is an external plier with a
120° DIA, 0° NO TIPS / 7801R
- Effective Range 90-165mm (3.54" - 6.50")



RETAINER RING PLIERS

Part Number: 8R EXT PLIER

Net Price: \$120.90

- 8R EXT Plier is an external plier with a
120° DIA, 0° NO TIPS / 7801R
- Effective Range 90-165mm (3.54"-
6.50")

*NOTE: 8R EXT PLIER does not include the
needed tips. Tip part number options listed
below. Sold separately.

- 7R/8R PLIER TIPS-STRT
- 7R/8R PLIER TIPS-45DEG
- 7R/8R PLIER TIPS-90DEG

REMOVAL TOOLS

O-RING PICK SET 1

Part Number: O-RING PICK
Net Price: \$9.28

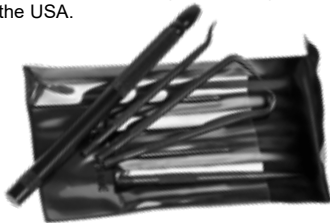
These bronze O-ring picks, w/ black vinyl case, aid in the installation and extraction of O-rings.



O-RING PICK SET 2

Part Number: O PICK SET
Net Price: \$49.33

Designed for heavy duty use and packaged in a clear vinyl pouch, this kit contains a knurled handle and four screw-in picks with different hook configurations. Set includes straight tip, o-ring 90° tip, hook tip, and angle tip. Made in the USA.



SNAP-ON O-RING PICK SET 4

Part Number: MAXI PICK SET
Net Price: \$87.37

Designed for heavy duty use and packaged in a plastic pouch, these highly visible picks feature screwdriver-type colored handles. Set includes awl, hook tip, 45° bent tip tool, and 90° bent tip tool. Made in the USA.



CHEVRON ASSEMBLY TOOL

Part Number: CM-376-9067-001
Net Price: \$80.69

Vee Packing assembly tool for Telescopic Cylinders.



GLAND REMOVAL TOOLS

Part Number	Bore Diameter	List Price
JD-6.00X0.40-IT	6"	\$42.70
JD-70MM-IT	70 mm	14.76
JD-80MM-IT	80 mm	15.79
JD-90MM-IT	90 mm	17.37
JD-100MM-IT	100 mm	20.01

Part Number	List Price
JD-45MM-IT	\$7.82
JD-50MM-IT	5.22
JD-53MM-IT	8.41
JD-56MM-IT	8.72
JD-63MM-IT	13.11
JD-110MM-IT	21.83
JD-115MM-IT	26.11
JD-125MM-IT	24.36
JD-140MM-IT	25.88

5 PIECE TOOL KIT SET

Part Number: CH-TK-1
Net Price: \$143.56



Vee Packing tool kit set for Telescopic Cylinders.

8 PIECE O-RING PICK SET

Part Number: O PICK SET-A
Net Price: \$29.68



This economical seal pick tool set lowers your chance of surface damage. It contains 8 different hard metal hooks with sturdy plastic handles.

REMOVAL TOOLS

11 PIECE PACKING TOOL KIT

Part Number: **PACK TOOL SET-11**
 Net Price: **\$205.28**



Part Number	QTY	Part Number	QTY
FPH-312R	2	FPH-RTC312	3
FPH-437R	2	FPH-RTC437	3
SSP-125	1	WRENCH	1
SSP-187	1	BOX	1
SSP-312	1		

REPLACEABLE WOODSCREW TIPS

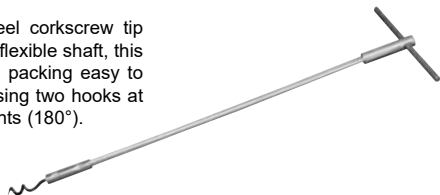
Part Number	Packing Space	Net Price
FPH-RTW312	5/16"-up	\$11.67
FPH-RTW437	7/16"-up	13.70
FPH-RTW500	1/2"-up	14.10



FLEXIBLE PACKING HOOKS

Part Number	Packing Space	Length	Net Price
FPH-187	3/16"-up	6-1/2"	\$22.57
FPH-312R	5/16"-up	7-1/2"	24.74
FPH-437R	7/16"-up	10-1/2"	27.19
FPH-500R	1/2"-up	14-1/2"	37.10

With a tempered tool steel corkscrew tip and a woven strand steel flexible shaft, this tool makes hard to reach packing easy to pull out. Works best by using two hooks at diametrically opposed points (180°).



17 PIECE PACKING TOOL KIT

Part Number: **PACK TOOL SET-17**
 Net Price: **\$338.84**



Part Number	QTY	Part Number	QTY
FPH-312R	2	FPH-RTC437	3
FPH-437R	2	FPH-RTC500	3
FPH-500R	2	FPH-RTW312	1
SSP-125	1	FPH-RTW437	1
SSP-187	1	FPH-RTW500	1
SSP-312	1	WRENCH	1
FPH-RTC312	3	BOX	1

REPLACEABLE CORKSCREW TIPS

Part Number	Packing Space	Net Price
FPH-RTC312	5/16"-up	\$9.90
FPH-RTC437	7/16"-up	28.05
FPH-RTC500	1/2"-up	14.84



SOLID SHAFT PICKS

Part Number	Packing Space	Length	Net Price
SSP-125	1/8 -up	9-1/2"	\$32.28
SSP-187	3/16 -up	10"	39.69
SSP-312	5/16"-up	10"	63.75

Formed from hardened steel, this tool's length and sharp angled point gets at hard to reach o-rings, back-up rings and braided packing. You'll be amazed at all the uses you find for this tool.



DISMANTLING TOOLS

SPANNER WRENCHES

(1) ADJUSTABLE HEAD — PIN STYLE

PART NUMBER	PART OD RANGE	PIN DIA.	PIN LGTH.	NET PRICE
SPAP-2.00X0.13	3/4" to 2" (19mm to 50mm)	1/8"	1/8"	\$83.31
SPAP-2.00X0.19	3/4" to 2" (19mm to 50mm)	3/16"	5/32"	83.31
SPAP-3.00X0.19	1-1/4" to 3" (32mm to 76mm)	3/16"	3/16"	91.09
SPAP-3.00X0.25	1-1/4" to 3" (32mm to 76mm)	1/4"	7/32"	91.09
SPAP-4.75X0.25	2" to 4-3/4" (51mm to 120mm)	1/4"	1/4"	115.85
SPAP-6.25X0.38	4-1/2" to 6-1/4" (115mm to 159mm)	3/8"	1/4"	128.15



1

(2) ADJUSTABLE HEAD — HOOK STYLE

PART NUMBER	PART OD RANGE	HOOK WD.	HOOK DP.	NET PRICE
SPAH-2.00	3/4" to 2" (19mm to 50mm)	11/32"	1/8"	\$75.86
SPAH-3.00	1-1/4" to 3" (32mm to 76mm)	13/32"	5/32"	87.41
SPAH-4.75	2" to 4-3/4" (51mm to 120mm)	15/32"	3/16"	110.40
SPAH-6.25	4-1/2" to 6-1/4" (115mm to 159mm)	15/32"	1/4"	118.07
SPAH-8.75	6-1/8" to 8-3/4" (155mm to 222mm)	15/32"	5/16"	164.45



2

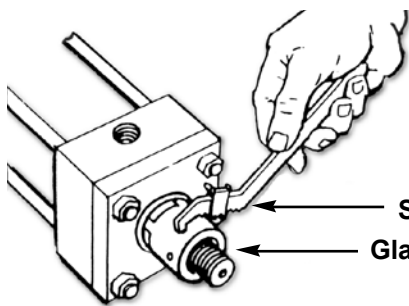
(3) ADJUSTABLE FACE — PIN STYLE

PART NUMBER	DIA. RANGE (CENTER TO CENTER)	PIN DIA.	PIN LGTH.	NET PRICE
SPAPF-2.00X0.19	5/8" to 2" (16mm to 50mm)	3/16"	1/8"	\$67.15
SPAPF-3.00X0.25	5/8" to 3" (16mm to 76mm)	1/4"	3/16"	98.13
SPAPF-4.00X0.31	5/8" to 4" (16mm to 101mm)	5/16"	1/4"	135.55



3

PARKER GLAND WRENCHES



Spanner Wrench (Sold Separately Above)

Gland Wrench



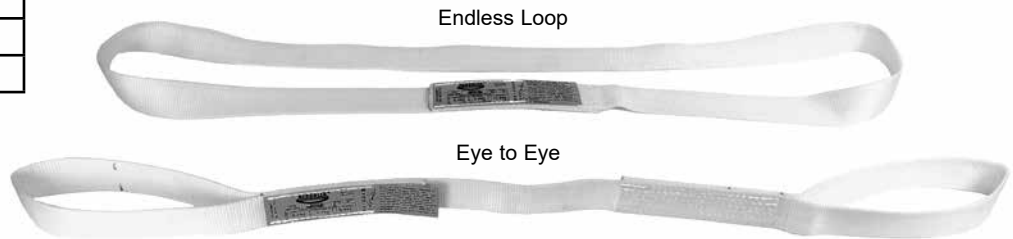
Rod Dia.	Kit #	ID X OD X HT	Net Price	Spanner (Sold Separately Above)
1/2", 5/8", 12mm & 14mm	PKH-069590	11/16" X 1-1/8" X 1-3/8"	\$51.64	SPAP-2.00X0.19
18mm	PKH-084765	13/16" X 1-1/4" X 1-7/16"	46.11	SPAP-2.00X0.19 or SPAP-3.00X0.19
1" & 22mm	PKH-069591	1-1/16" X 1-5/8" X 1-1/2"	31.20	SPAP-2.00X0.19 or SPAP-3.00X0.19
28mm	PKH-084766	1-1/4" X 1-11/16" X 1-9/16"	44.11	SPAP-2.00X0.19 or SPAP-3.00X0.19
1-3/8" & 36mm	PKH-069592	1-7/16" X 1-7/8" X 1-5/8"	60.41	SPAP-2.00X0.19 or SPAP-3.00X0.19
1-3/4" & 45mm	PKH-069593	1-13/16" X 2-1/4" X 1-5/8"	57.43	SPAP-3.00X0.25 or SPAP-4.75X0.25
2"	PKH-069594	2-1/16" X 2-1/2" X 2"	71.32	SPAP-3.00X0.25 or SPAP-4.75X0.25
2-1/2" & 56mm	PKH-069595	2-9/16" X 3" X 2-1/8"	112.63	SPAP-3.00X0.25 or SPAP-4.75X0.25
70mm	PKH-069596	2-15/16" X 3-1/2" X 2-3/8"	122.90	SPAP-4.75X0.25

LIFTING SLINGS

Hercules now carries new synthetic web lifting slings which are primarily composed of nylon. Our lifting slings are a soft and flexible solution to rigging and are offered in endless and eye to eye styles. All of the synthetic web slings are constructed with 9800 lbs. maximum load rated heavy duty webbing, and are in full compliance with current ASME B30.9 standards, with a 5:1 safety factor.

Nylon web slings with flat eye to eye loops are one of the most popular straps for lifting because of their versatility: they can be used in a choker, basket or vertical hitch. The design also makes it easy to remove from underneath a load.

Material	Nylon
Max Temperature	180°F
UV Degradation	High



Part Number	Width (in)	Length (ft)	Product	Vertical Load Limit (lbs.)	Choker Load Limit (lbs.)	Basket Load Limit (lbs.)	Net Price
SLEN1-4	1"	4'	Endless Loop	3200	2500	6400	\$14.87
SLEN1-6	1"	6'	Endless Loop	3200	2500	6400	20.21
SLEN2-4	2"	4'	Endless Loop	6400	5000	12800	24.53
SLEN2-6	2"	6'	Endless Loop	6400	5000	12800	33.96
SLEN2-8	2"	8'	Endless Loop	6400	5000	12800	43.73
SLEE1-4	1"	4'	Eye to Eye	1600	1200	3200	14.21
SLEE1-6	1"	6'	Eye to Eye	1600	1200	3200	16.21
SLEE2-4	2"	4'	Eye to Eye	3200	2400	6400	23.00
SLEE2-6	2"	6'	Eye to Eye	3200	2400	6400	26.92
SLEE2-8	2"	8'	Eye to Eye	3200	2400	6400	31.72

LEAK DETECTION

LEAK DETECTION KIT

Part Number: LDU-SPI-VLOG44

Net Price: \$233.76

HOW IT WORKS

A small amount of liquid fluorescent dye is added to a circulating fluid system that is being inspected for leaks. The system is then run for a short time to allow the dye to mix and circulate with the host fluid. The dye/fluid mixture escapes with the host fluid wherever there is a leak and glows a bright yellow/green when inspected with a high-intensity violet light LED lamp. This method is extremely effective in locating even the smallest, most elusive leaks, as well as multiple leaks.



The LDU-SPI-VLOG44 kit will contain:

- LDU-SPI-VL, an LED violet-light flashlight
- (3) AAA batteries
- OIL-GLO-44, 8 ounces of dye
- Glow Away Plus, 2 ounces dye cleaner
- Enhancing lenses
- Dye treatment tags
- Carrying case

INDIVIDUAL LEAK DETECTION PRODUCTS

Part Number	Description	Net Price
LDU-CR-800	CLEANER, 8 OZ SPRAY	\$15.51
LDU-OIL-GLO-44-P	DYE, ALL-IN-ONE, 16 OZ	140.94
LDU-SPI-VL	LAMP, LED, VIOLET LIGHT	141.82
LDU-UVS-40	SPECTACLES, UV ENHANCING	25.37

16oz dye container treats up 128 gallons

FORMERLY LISTED REPAIR PARTS ARE AVAILABLE ONLINE AT WWW.HERCULESUS.COM OR BY CONTACTING YOUR REGIONAL HERCULES SALES TEAM.

REMANUFACTURING TOOLS

PORTABLE HONES - AN-815

Part Number: H-S-AN-815

Net Price: \$748.00

Hand Feed - ID Range 64-533 mm (2.500" - 21.000")
For occasional heavy-duty portable honing

Illustration shows standard AN-815 Portable Hone assembled with single length master holder set and stone set. Requires 16 mm (5/8") chuck capacity for 63.5-127 mm (2.5"-5") diameter. Requires 19mm (3/4") chuck capacity for 127-381 mm (5"-15") diameter. Requires 25.4 mm (1") chuck capacity for larger than 381 mm (15") diameter.



Weight 2.3 kg (5 lbs).

FOR A COMPLETE PORTABLE HONE ORDER A + B + C + D + E				A - BASIC HONE	B - MASTER HOLDER SETS				C - STONE SUPPORT		D - STONE SET	E - SHAFT EXTENSION
Diameter Range					Single Length		Double Length		Part Number	Net Price		
General Purpose Stone Sets		Guideless and Keyway Stone Sets			Part Number	Net Price	Part Number	Net Price				
mm	Inches	mm	Inches	Part Number					Net Price	Part Number	Net Price	Part Number
64-140	2.5-5.5	64-142	2.5-5.6	See Hone H-S-AN-815 Above	None	-	None	-	None	-	See Table on the next page for portable hone stone sets	For long holes - see table below for Shaft Extensions.
104-160	4.1-6.3	114-165	4.5-6.5		H-S-AN-345	\$382.50	None	-	None	-		
119-178	4.7-7.0	130-183	5.1-7.2		H-S-AN-355	327.86	H-S-AN-855	\$595.00	None	-		
152-229	6.0-9.0	163-234	6.4-9.2		H-S-AN-365	391.00	H-S-AN-865	595.00	H-S-AN-260	\$238.00		
206-305	8.1-12.0	213-310**	8.4-12.2**		H-S-AN-375	416.50	None	-	H-S-AN-280	156.40		
279-381	11.0-15.0	284-386**	11.2-15.2**		H-S-AN-385	399.50	None	-	H-S-AN-290	184.96		
356-457	14.0-18.0	363-465**	14.3-18.3**	See hone above	H-S-AN-395	425.00	H-S-AN-895	646.00	H-S-AN-340	204.00		
432-533	17.0-21.0	437-538**	17.2-21.2**		H-S-AN-415	408.00	None	-	None	-		

* For light work only in this diameter range.

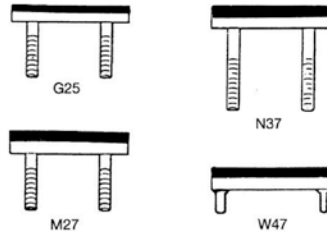
** Do not use WW (Guideless) Stone Sets in this range due to lack of stability.

Length		AN-815 Shaft Extensions	
mm	Inches	Part Number	NET Price
76	3	None	-
152	6	H-S-AN-840	\$161.50
235	9.25	None	-
305	12	None	-
483	19	None	-
610	24	H-S-AN-842	340.00
1086	42.75	None	-
1220	48	H-S-AN-844	629.00
1835	72.25	None	-

REMANUFACTURING TOOLS

HONE STONE SETS FOR AN-815 AND ANR-275

Hone Stone Sets for 2.5" to 60"* diameter, portable tools (two stones and two guides per set). Stone length is 102 mm (4") or 203 mm (8") when two sets of stones are used with double length master holder set. For Industrial applications. From fast stock removal in deburred, bored, ground, or reamed holes to fine finishing in previously honed holes, these hone stone sets are in stock and ready for next day delivery.



Stone Number	Diameter
G25	2.5 - 2.7
M27	2.7 - 4.1
N37	3.5 - 5.5
W47	4.1 - 60.0*

* Requires Master Holder Set - Limited to 21" with H-S-AN-815

ALUMINUM OXIDE STONES

MODEL		G25		M27		N37		W47	
GRIT SIZE		64 TO 69 mm 2.5" - 2.7"	NET PRICE	69 TO 104 mm 2.7" - 4.1"	NET PRICE	89 TO 140 mm 3.5" - 5.5"	NET PRICE	104 TO 1524 mm 4.1" - 60"***	NET PRICE
80	HARD - SOFT	H-S-G25-A23	\$32.76	H-S-M27-A23	\$32.76	H-S-N37-A23	\$32.76	H-S-W47-A23	\$32.76
		H-S-G25-A25	32.76	H-S-M27-A25	32.76	H-S-N37-A25	32.76	H-S-W47-A25	32.76
		H-S-G25-R25X	32.76	H-S-M27-R25X	32.76	H-S-N37-R25X	32.76	H-S-W47-R25X	32.76
		H-S-G25-A27	32.76	H-S-M27-A27	32.76	H-S-N37-A27	32.76	H-S-W47-A27	32.76
150	H - S	H-S-G25-A43	\$32.76	H-S-M27-A43	\$32.76	H-S-N37-A43	\$32.76	H-S-W47-A43	\$32.76
		H-S-G25-A45	32.76	H-S-M27-A45	32.76	H-S-N37-A45	32.76	H-S-W47-A45	32.76
		H-S-G25-A47	32.76	H-S-M27-A47	32.76	H-S-N37-A47	32.76	H-S-W47-A47	32.76
220	H-S	-	-	-	-	H-S-N37-A55	\$32.76	H-S-W47-A55	\$32.76
280	H - S	-	-	-	-	-	-	H-S-W47-A63	\$32.76
		H-S-G25-A65	\$32.76	H-S-M27-A65	\$32.76	H-S-N37-A65	\$32.76	H-S-W47-A65	32.76
		-	-	H-S-M27-A67	32.76	-	-	H-S-W47-A67	32.76

SILICON CARBIDE STONES

MODEL		G25		M27		N37		W47	
GRIT SIZE		64 TO 69 mm 2.5" - 2.7"	NET PRICE	69 TO 104 mm 2.7" - 4.1"	NET PRICE	89 TO 140 mm 3.5" - 5.5"	NET PRICE	104 TO 1524 mm 4.1" - 60"***	NET PRICE
70	HARD - SOFT	-	-	-	-	-	-	H-S-W47-J11	\$32.76
		-	-	-	-	-	-	H-S-W47-J13	32.76
		H-S-G25-J15	\$32.76	-	-	-	-	H-S-W47-J15	32.76
		H-S-G25-J17	32.76	H-S-M27-J17	\$32.16	H-S-N37-J17	\$32.76	H-S-W47-J17	32.76
150	H - S	-	-	-	-	-	-	H-S-W47-J43	\$32.76
		H-S-G25-J45	\$32.76	H-S-M27-J45	\$32.76	H-S-N37-J45	\$32.76	H-S-W47-J45	32.76
		H-S-G25-J47	32.76	H-S-M27-J47	32.76	H-S-N37-J47	32.76	H-S-W47-J47	32.76
220	H - S	-	-	H-S-M27-J55	\$32.16	-	-	H-S-W47-J55	\$32.76
280	H - S	-	-	-	-	-	-	-	-
		-	-	H-S-M27-J63	\$32.76	-	-	H-S-W47-J63	\$32.76
		H-S-G25-J65	\$32.76	H-S-M27-J65	32.76	H-S-N37-J65	\$32.76	H-S-W47-J65	32.76
400	H - S	-	-	-	-	H-S-N37-J67	32.76	H-S-W47-J67	32.76
		H-S-G25-J85	\$32.76	H-S-M27-J85	\$32.76	H-S-N37-J85	\$32.76	H-S-W47-J85	\$32.76
		H-S-G25-J87	32.76	H-S-M27-J87	32.76	H-S-N37-J87	32.76	H-S-W47-J87	32.76

* R25X - Red aluminum oxide / sulfur Impregnated

** Requires Master Holder Set - Limited to 21" with H-S-AN-815 and H-ANR-275

ADDITIONAL HONE STONE SET AVAILABLE

This Hone Stone Set offers quick stock removal and fine finishing in both treated and previously honed holes. Available in stock for next-day delivery.

PART NUMBER	BORE SIZE	MATERIAL	GRIT SIZE	HARDNESS	NET PRICE
H-S-H70-A45	2.900 - 11.500	Aluminum Oxide	150	Medium	\$46.68

FORMERLY LISTED REPAIR PARTS ARE AVAILABLE ONLINE AT WWW.HERCULESUS.COM
OR BY CONTACTING YOUR REGIONAL HERCULES SALES TEAM.

REMANUFACTURING TOOLS

HONING OIL - 5 GALLON PAIL

Part Number: H-S-TA-230-5

Net Price: \$249.90

Honing Oil is specially compounded for ferrous and non ferrous honing to:

- Dissipate heat from the workpiece
- Lubricate tool contact surfaces (guides)
- Flush bore free of honing swarf
- And maintain clean, free cutting abrasive conditions

Recommended for continuous honing of most materials, including: steel, cast iron, carbide, aluminum, bronze and ceramics. Use with any make honing equipment or tooling.



PISTON SEAL REFORMING TOOL

Part Number: PS CONSTRICTOR

Net Price: \$20.41



PTFE Piston seal resizing tool.

PISTON SEAL STRETCHER

Part Number: SEAL STRETCHER PLUS

Net Price: \$176.59

This Seal Stretcher is heavy duty with a handle for easier use and includes the following:

- 8 stepped segments
- 1 top nut/handle
- 5/16" thick aluminum flat base including 4 mounting bolt holes
- 1 threaded rod with a piston pre-installed
- 1 stop adjustable nut
- Assembly instructions sheet



Usage instructions are online at www.HerculesUS.com/Technical/Usage and [Installation Instructions/Seal Stretcher Instructions](#).

ROTARY THREAD® FILES

15 PIECE MASTER TOOL KIT

Part Number: HRTR-K2.1
Net Price: \$302.02



Part Number	Qty	Part Number	Qty
HRTR-1	1	HRTR-5B	1
HRTR-2	1	HRTR-5S1	1
HRTR-2L	1	HRTR-5S2	1
HRTR-3S2	1	HRTR-C1	1
HRTR-4	1	HRTR-M3	1
HRTR-4S1	1	HRTR-M5	2
HRTR-5	1		
HRTR-5A	1		

8 PIECE STANDARD KIT

Part Number: HRTR-K3.1
Net Price: \$128.75



Part Number	Quantity
HRTR-2L	1
HRTR-C1	1
HRTR-5	1
HRTR-1	1
HRTR-4	1
HRTR-M5	1
HRTR-M5	1
HRTR-2	1

4 PIECE GROOVE & GLAND RESTORE KIT

Part Number: HRTR-K1.2
Net Price: \$43.44



Part Number	Quantity
HRTR-3S1	3
HRTR-M3	1

3 PIECE THREAD RESTORE STARTER KIT

Part Number: HRTR-K1.1
Net Price: \$35.30



Part Number	Quantity
HRTR-1	1
HRTR-2	1
HRTR-C1	1

ROTARY THREAD® FILES

STANDARD THREAD



Part Number	Thread Types	Shank Size	Head Diameter	Overall Length	Minimum Working ID	Minimum Pitch	Thread Angle	RPM	Net Price
HRTR-1	Inch, Metric, Pipe, SAE, National	1/8"	3/8"	2"	7/16"	28 TPI (0.8 Metric)	60°	Up to 12,000 (Max 15,000)	\$14.07
HRTR-2	Inch, Metric, Pipe, SAE, National	1/4"	3/4"	2"	5/8"	28 TPI (0.8 Metric)	60°	Up to 12,000 (Max 15,000)	20.43
HRTR-2L	Inch, Metric, Pipe, SAE, National	1/4"	3/4"	4"	5/8"	28 TPI (0.8 Metric)	60°	Up to 12,000 (Max 15,000)	28.45

STANDARD THREAD FOR USE WITH MANDREL



Part Number	Thread Types	Shank Size	Head Diameter	Mandrel Used	Thickness	Minimum Working ID	Minimum Pitch	Thread Angle	RPM	Net Price
HRTR-4	Inch, Metric, Pipe, SAE, National	1/4"	1-5/8"	HRTR-M5	0.118"	1-3/4"	28 TPI (0.8 Metric)	60°	Up to 12,000 (Max 15,000)	\$32.39
HRTR-5	Inch, Metric, Pipe, SAE, National	1/4"	2"	HRTR-M5	0.315"	2-1/8"	20 TPI (0.8 Metric)	60°	Up to 12,000 (Max 15,000)	33.64
HRTR-5A	ACME	1/4"	2"	HRTR-M5	0.315"	2-1/8"	16	29°	Up to 12,000 (Max 15,000)	33.64
HRTR-5B	BUTTRESS	1/4"	2"	HRTR-M5	0.315"	2-1/8"	NA	7 x 45°	Up to 12,000 (Max 15,000)	33.64

ROTARY THREAD® FILES

GROOVE & GLAND



Part Number	Thread Types	Shank Size	Head Diameter	Mandrel Used	Thickness	Minimum Working ID	Minimum Pitch	RPM	Net Price
HRTR-3S1	Cylinder Glands & Grooves	1/8"	0.984"	HRTR-M3	0.040"	1"	Square	Up to 12,000 (Max 15,000)	\$25.49
HRTR-4S1	Glands, Grooves, Snap Rings	1/4"	1-5/8"	HRTR-M5	0.040"	1-3/4"	Square	Up to 12,000 (Max 15,000)	32.70
HRTR-5S1	Glands, Grooves, Snap Rings	1/4"	2"	HRTR-M5	0.040"	2-1/8"	Square	Up to 12,000 (Max 15,000)	33.64
HRTR-5S2	Glands, Grooves, Snap Rings	1/4"	2"	HRTR-M5	0.080"	2-1/8"	Square	Up to 12,000 (Max 15,000)	33.64

MANDRELS



Part Number	Body Diameter	Length	Arbor Diameter	Net Price
HRTR-M3	0.236"	2"	1/8"	\$8.50
HRTR-M5	0.472"	2"	1/4"	10.82

COLLETS

Part Number	Diameter	Length	Net Price
HRTR-C1	1/8" to 1/4"	5/8"	\$3.19



HOSE BOX FITTING TOWERS

JIC FITTINGS TOWER

Part Number: HBT5600E1
Net Price: \$389.00



LIGHT DIN FITTINGS TOWER

Part Number: HBT2027-006
Net Price: \$700.00



FACE SEAL FITTINGS TOWER

Part Number: HBT5600E2
Net Price: \$439.00



HEAVY DIN FITTINGS TOWER

Part Number: HBT2025-006
Net Price: \$650.00



NPT FITTINGS TOWER

Part Number: HBT5600E3
Net Price: \$405.00



BSP FITTINGS TOWER

Part Number: HBT2023-006
Net Price: \$615.00



HOSE BOX MINI FITTING KITS

(SAE 6) JIC TO ORB MINI KIT

Part Number: HBE2001-005

Net Price: \$30.00



(SAE 8) ORFS TO ORB MINI KIT

Part Number: HBE2002-006

Net Price: \$32.00



(SAE 8) JIC TO ORB MINI KIT

Part Number: HBE2001-006

Net Price: \$33.00



(SAE 8) JIC to NPT MINI KIT

Part Number: HBE2001-007

Net Price: \$36.00



(SAE 6) ORFS TO ORB MINI KIT

Part Number: HBE2002-005

Net Price: \$32.00



(1/2") NPT TO NPT MINI KIT

Part Number: HBE2003-005

Net Price: \$32.00



HOSE BOX BRASS FITTING KITS

AIR TRANSMISSION SHIFTER FITTINGS KIT

Part Number: HB3001-001
Net Price: \$144.00



D.O.T. 1/4" BRASS COMPRESSION AIR BRAKE FITTINGS KIT

Part Number: HB3001-004
Net Price: \$103.00



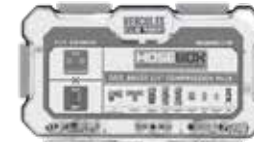
D.O.T. BRASS PUSH-IN FITTINGS KIT

Part Number: HB3001-002
Net Price: \$153.00



D.O.T. 3/8" BRASS COMPRESSION AIR BRAKE FITTINGS KIT

Part Number: HB3001-005
Net Price: \$116.00



D.O.T. COMPOSITE PUSH-IN FITTINGS KIT

Part Number: HB3001-003
Net Price: \$217.00



D.O.T. 1/2" BRASS COMPRESSION AIR BRAKE FITTINGS KIT

Part Number: HB3001-006
Net Price: \$155.00



HOSE BOX FITTING KITS & BONDED SEAL KITS

HOSE FITTING KITS

Part Number: HBE2003-001
Description: NPT Caps and Plugs Fitting Kit
Net Price: \$91.00



Part Number	Description	Price
HBE2003-002	NPT - NPT Fitting Kit	\$97.00
HBE2003-003	NPT Tees - O-Rings Fitting Kit	94.00
HBE2003-004	Face Seal Caps and Plugs Fitting Kit	81.00
HBE2002-001	Face Seal - ORB Fitting Kit	97.00
HBE2002-002	Face Seal - JIC - NPT Fitting Kit	104.00
HBE2002-003	Face Tees - O-Rings Fitting Kit	127.00
HBE2002-004	JIC Caps and Plugs Fitting Kit	71.00
HBE2001-001	JIC - ORB Fitting Kit	88.00
HBE2001-002	JIC - NPT - ORFS Fitting Kit	94.00
HBE2001-003	JIC Tees - O-Rings Fitting Kit	95.00
HBE2001-004	ORB Plugs Fitting Kit	73.00
HBE1024	Variety Fittings Kit	77.00
HBE2029-001	BSPP - Female JIC - BSPP Seals Fitting Kit	110.00
HB2023-001	BSPP - JIC - NPT Fitting Kit	150.00
HB2023-002	BSPP - BSPP Fitting Kit	154.00
HB2023-003	BSPP Caps - Plugs Fitting Kit	131.00
HB2023-004	Metric Heavy DIN - JIC - DIN Seals Fitting Kit	139.00
HB2025-001	Metric Heavy DIN - DIN - Metric Fitting Kit	199.00
HB2025-002	Metric Heavy DIN - JIC - NPT Fitting Kit	122.00
HB2025-003	Metric Heavy DIN Caps & Plugs Fitting Kit	124.00
HB2025-004	Metric Light DIN - JIC - DIN Seals	163.00
HB2027-001	Metric Light DIN - DIN Bonded Seals Fitting Kit	204.00
HB2027-002	Metric Light DIN - JIC - NPT Fitting Kit	135.00
HB2027-003	Metric Light DIN Caps and Plugs Kit	166.00
HB2027-004	Metric Light DIN Caps and Plugs Kit	155.00

BONDED SEAL KITS

Part Number: HB2043-001
Description: DIN Bonded Seals
Net Price: \$65.00



Part Number	Description	Price
HB2083-001	BSPP Bonded Seals	\$48.00

MEASURING TOOLS

HIGH QUALITY DIGITAL CALIPER

Part Number: HH-CALIPER-6-FR
Net Price: \$61.20

This high quality instrument measures to 6" (150 mm). A push of a button changes from fractions, mm and inches. Functions also include: On/Off function, zero key, data input capabilities, test for low voltage, and "Auto Off" function when unit sits dormant for more than 4 minutes.



DIGITAL CALIPERS

Part Number	Net Price
HH-CALIPER-6	\$53.10
HH-CALIPER-6-P	53.10
HH-CALIPER-8	87.53
HH-CALIPER-12	127.95
HH-CALIPER-12-P	127.95

Quality calipers able to measure up to 6" (150mm) or 12" (300mm). A push of a button changes from inches to metric. A clear LCD display shows a reading with a resolution of 0.0005" (0.01mm) that is accurate to ±0.001" (±0.03mm). These calipers come in a sturdy, padded plastic case with instructions and a spare battery.

P = No Hercules logo.



INNER GROOVE CALIPER

Part Number: INNER CALIPER
Net Price: \$149.99



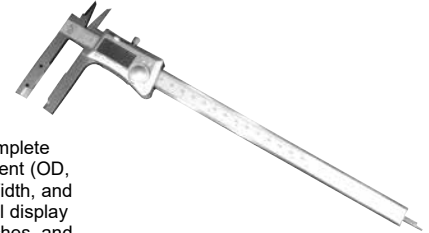
Inner Groove Caliper - 200 mm.

INNER DEPTH CALIPER

Part Number: INNER-DEPTH CALIPER
Net Price: \$186.20

BATTERIES NOT INCLUDED

BATTERY NEEDED - 303/357/76



This inner depth caliper is complete with five modes of measurement (OD, ID, General Depth, Groove Width, and Groove Depth). It has a digital display capable of displaying mm, inches, and fractions and can take measurements of up to 8" (205 mm). The four groove depth pins located on the back of the calipers measure 10mm, 20mm, 3/8", and 3/4".

INNER DEPTH CALIPER PINS

Part Number: INNER-DEPTH CALIPER DP
Net Price: \$17.24

This Inner-Depth Caliper replacement part includes four groove depth pins measuring 10mm, 20mm, 3/8", and 3/4".



INNER DEPTH CALIPER KNIVES

Part Number: INNER-DEPTH CALIPER WK
Net Price: \$17.24

This Inner-Depth Caliper replacement part includes one pair of width knives and four installation screws.



MEASURING TOOLS

12" STEEL RULER

Part Number: HB-RULER-01

Net Price: \$10.58



12" Stainless Steel Ruler with cork back to prevent damage and resist slipping. Measures both Standard and Metric.

6" STEEL RULER WITH CLIP

Part Number: HB-RULER-02

Net Price: \$6.99



6" Stainless Steel Ruler with Clip. Measures both Standard and Metric.

O-RING COMPOUND IDENTIFIER

Part Number: OR RECOGNISER

Net Price: \$16.97

Identify a variety of o-ring compounds with this handy O-Ring Recognizer kit. Testing for EPDM70, NBR, FFKM (KALREZ®) and FKM o-rings. Three sample seals included.

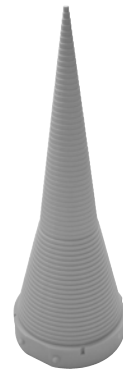


O-RING MEASURING CONE

Part Number: O RING CONE-INCH

Net Price: \$28.27

Handy cone provides o-ring dash numbers instantly. Measures 184 of the most widely used sizes in 5 standard widths, 1/4" ID to 5-5/8" ID. Made of high density polyurethane, the cone stands 17-1/2" high.



BORE TAPE

Part Number: BORE TAPE 300

Net Price: \$131.12

Measures inside and outside diameters from 50 mm 300 mm (2"-12").



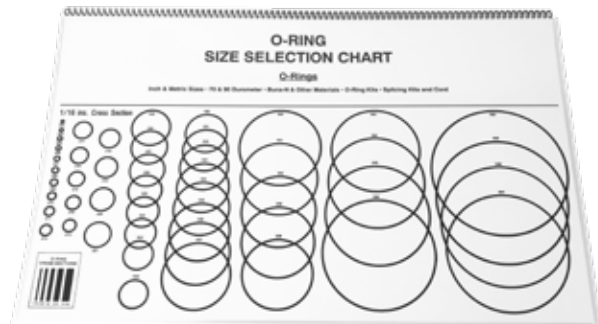
O-RING CHART

Part Number: O-RING CHART

Net Price: \$27.83

Part Number: O-RING CHART NN

Net Price: \$27.83



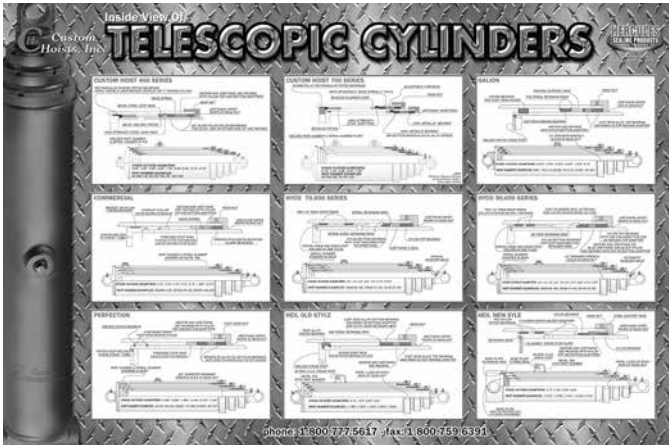
Durable, Accurate, and Fast, these charts allow for easy Standard O-ring size identification. No shop should be without one!
NN = Without Hercules® logo.

MEASURING TOOLS

TELESCOPIC CYLINDER POSTER

Part Number: TELE-CYL CHART
 Net Price: \$3.72

This colorful poster is an invaluable tool for determining seal placement within the most popular telescopic cylinders.



O-RING GAUGE

Part Number: OR-GAUGE
 Net Price: \$29.70

Slide gauge for measuring standard cross-section o-rings with an inside diameter up to 13".



O-RING SIZE CHART

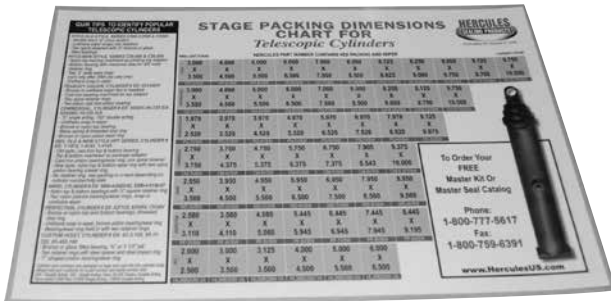
Part Number: O-RING SIZE CHART
 Net Price: \$4.32

This handy chart gives complete dimensions for both static and reciprocating o-ring gland design. Dimensions shown are universal for o-rings, quad rings, square o-rings, split flange seals, and t-seals for both rod and piston seals.

STAGE PACKING CHART

Part Number: STAGE-PACKING CHART
 Net Price: \$3.72

Your guide for quickly identifying popular telescopic cylinder dimensions. Series include Hyco, Peabody Galion, Commercial, Heil, Ward, Perfection and Custom Hoist.

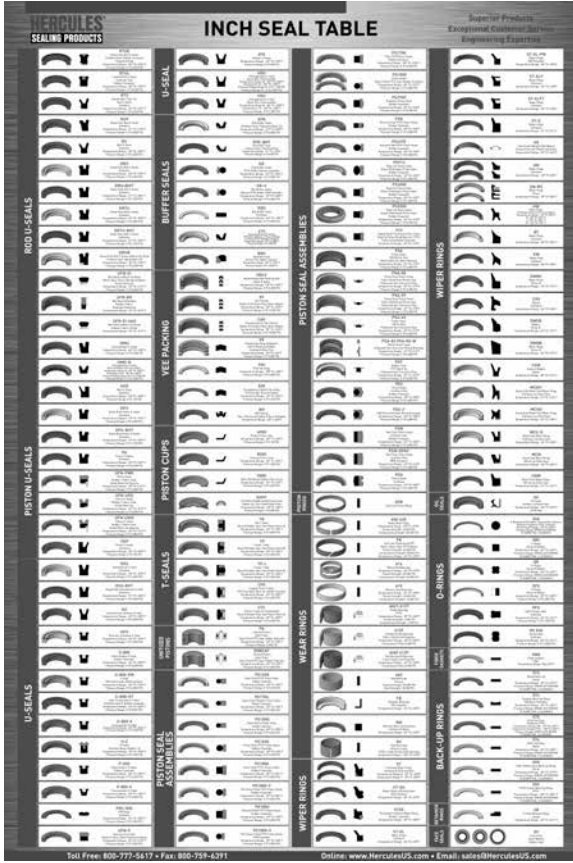


ASSORTMENT KITS AND TOOLS

MEASURING TOOLS

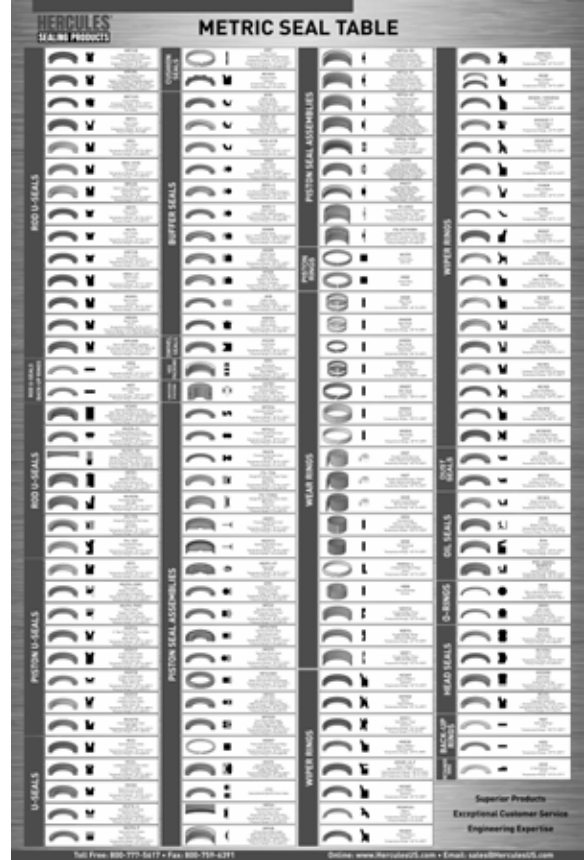
INCH SEAL PROFILE POSTER

Part Number: INCH-POSTER
 Net Price: \$7.56



METRIC SEAL PROFILE POSTER

Part Number: METRIC-POSTER
 Net Price: \$7.56



ASSORTMENT KITS AND TOOLS

HERCULES MERCHANDISE

COFFEE MUG

Part Number: HB-COFFEE MUG-01
Net Price: \$11.37

Silver, double wall, travel mug, with black plastic inner liner. Holds 14 oz.



BASEBALL HAT

Part Number: HB-HAT-01
Net Price: \$10.54

Black canvas baseball hat. Low profile with adjustable Velcro strap. One size fits most.



HERCULES T-SHIRT

Part Number	Size	Net Price
HB-T-SHIRT-01M	MED	\$9.17
HB-T-SHIRT-01L	LARGE	9.17
HB-T-SHIRT-01XL	X-LARGE	9.17
HB-T-SHIRT-01XXL	XX-LARGE	14.57
HB-T-SHIRT-01XXXL	XXX-LARGE	18.04

99% Cotton / 1% Polyester Gildan™ grey T-Shirt. Hercules logo on front, with larger "Quality Parts" graphics on the back.



COUNTER MAT

Part Number: HH-COUNTER MAT
Net Price: \$20.04



Full color 26" x 17" vinyl Counter Mat with 1/8" foam backing.

MOUSE PAD

Part Number: HB-MOUSE PAD
Net Price: \$2.96

This sturdy mouse pad measures 7-1/4" x 8-3/8", and features a vinyl top with 1/8" foam backing.



BLACK AND BLUE TRUCKER HAT

Part Number: HB-HAT-02
Net Price: \$14.46

Black trucker hat. High profile with plastic snapping adjustable strap. One size fits most.



HERCULES SHIRT

Part Number	Size	Net Price
HB-SHIRT-01SM	SMALL	\$26.81
HB-SHIRT-01M	MEDIUM	26.81
HB-SHIRT-01L	LARGE	26.81
HB-SHIRT-01XL	X-LARGE	28.22
HB-SHIRT-01XXL	XX-LARGE	29.63

55% Cotton / 45% Polyester Ahead brand cobalt blue Polo Shirts. Hercules logo on left chest.



COUNTER STOOL - 30" TALL

Part Number: HHCOUNTERSTOOL
Net Price: \$132.62

30" Tall Counter Stool with vinyl padded seat and metal legs. Some assembly required.



Appendix

Contents	Page
Types of Sealing Material / Glossary of Terms	876
Fluid Compatibility Table	877 - 879
How to Size Groove Dimensions for Seals	880 - 881
Examples of Seal Failures and Their Causes	882 - 883
Seal Failure Inspection Check List	884
Metric / Inch Conversion Table	885 - 886
Cylinder Push & Pull Forces	887
Fluid Motor Torque	888
Hydraulic Cylinder Speeds	889
Electric Motor Horsepower	890
Areas & Circumferences of Circles	891
Fluid Power Formulas	892 - 894
Common Conversion Factors	895 - 897
Commodities & Material Weights	898

TYPES OF SEALING MATERIAL

Urethane

Formulated of copolymers of ether or ester based urethanes, this material is used in a wide application of seals, wipers, back-up rings, cushions, bumpers, and a myriad of other uses. Highly resistant to oil swell, ozone, oxidation and abrasion, it also has excellent cut resistance. Highly resilient, urethanes also have high tensile strength and elongation properties. Urethanes remain an excellent choice in hydraulic systems using petroleum based fluids. Most urethane seals remain flexible and efficient in temperatures ranging from -65° F to +200° F with some able to withstand intermittent temperatures up to +300° F.

Nitrile

The most common nitrile copolymer blend is the compound known as Buna-N. Possessing very good resistance to petroleum based hydraulic oils, Buna-N also works well with fuels such as diesel or gasoline. Nitrile seals have a good resistance to compression set, but their flexibility suffers somewhat in the lower temperature range. Seals made from this material have a low resistance to ozone and must be stored carefully in most environments. Working temperatures are -40° to +240° F.

PTFE

Most PTFE seals, in order to retain their toughness and flexibility, are fortified with short glass fiber, bronze flashes, carbon graphite, or a combination of these fillers. Because of a lack of resilience (memory) in PTFE, an energizer is most often employed to obtain the desired fit. Benefits are chemical inertness, high heat resistance, low temperature flexibility, low running friction, and non-adhesive characteristics. Temperatures to +500° F are obtainable but are often reduced by the filler or energizer employed.

Fluorocarbon

Fluorocarbon combines high temperature resistance with excellent chemical resistance. Excellent for use with alcohol and aromatic fuels and highly resistant to ultraviolet light and ozone. This material is not recommended for use in low temperatures or in aircraft hydraulic fluids. Temperature range is -20° to +400° F.

Ethylene-Propylene

Ethylene-Propylene can be used for sealing phosphate ester hydraulic fluids such as Skydrol. Not suitable for petroleum based fluids, Ethylene-Propylene is highly effective for use with steam, acetone, and dilute acids and bases. Specially compounded Ethylene-Propylene can be made suitable for automobile brake systems. Temperature range from -20° to +300° F.

Silicone

Silicone is an elastomer made from silicon, oxygen, hydrogen, and carbon. The key use of this material is in static seals employed in a wide (-75° F to +450° F) range of temperatures. Silicone has a high resistance to dry heat, ultraviolet light and ozone. This material is not recommended for dynamic situations due to poor abrasion resistance and high friction characteristics.

Glossary of Terms

- Bearing/Wear Rings:** Soft metal or plastic rings placed in grooves on the piston or in the head to prevent contact between hard metal surfaces.
- Durometer:** A generic term referring to the instrument and the scale used to measure the relative hardness of various elastomers. The lower the durometer reading, the softer the material.
- Dynamic Seal:** A sealing device used between mating surfaces that have relative motion.
- Elastomer:** A rubber-like material having the capacity for large deformation and rapid, complete recovery from the deforming force.
- Gland:** A groove or open area machined into the head or piston that houses the sealing device.
- Static Seal:** A sealing device used between mating surfaces that have no relative motion.
- Wiper/Scraper:** A device placed in the head of a cylinder for the purpose of excluding foreign matter from the inside of the cylinder.

FLUID COMPATIBILITY TABLE

These are general guidelines only, and users must conduct their own functional tests to determine the suitability of any compound for their particular application.

R = Recommended
 M = Marginal
 U = Unsatisfactory
 X = Insufficient Data

Fluid	Nitrile	SBR	EPDM	Neoprene	Polyacrylate	Urethane	Silicone	Fluoroelastomer
Acetaldehyde	U	U	R	U	U	U	R	U
Acetamide	R	U	R	R	U	U	M	U
Acetic Acid	M	M	R	R	U	U	R	U
Acetone	U	M	R	M	U	U	M	U
Acetophenone	U	U	R	U	U	U	U	U
Acetylene	R	R	R	R	X	X	R	R
Ammonia	R	R	R	R	U	X	R	U
Ammonium Hydroxide	R	R	R	R	U	U	R	R
Amyl Acetate	U	U	M	U	U	U	U	U
Anderol L-774	M	U	U	U	R	U	U	R
Aniline	U	U	R	U	U	U	U	M
Ansul Ether	M	U	M	U	U	R	U	U
Antifreeze	R	R	R	R	U	U	R	R
Arocors	M	U	R	U	U	X	M	R
Askarel	R	U	U	U	U	U	U	R
ASTM #1	R	U	U	R	R	R	R	R
ASTM #3	R	U	U	U	R	R	U	R
ASTM Fuel A	R	U	U	R	R	R	U	R
ASTM Fuel B	R	U	U	U	U	R	U	R
ASTM Fuel C	R	U	U	U	U	R	U	R
ASTM Fuel D	M	U	U	U	U	R	U	R
Auto Transmission Fluid	R	U	U	M	R	R	M	R
Beer	R	R	R	R	U	U	R	R
Benzaldehyde	U	U	R	U	U	U	U	U
Benzene	U	U	U	U	U	U	U	R
Benzine	R	U	U	R	R	R	U	R
Benzoic Acid	U	U	U	U	U	U	U	R
Benzophenone	U	U	R	X	U	U	U	R
Benzyl Alcohol	U	U	U	R	U	U	X	R
Bleach	R	R	R	R	U	U	U	R
Borax	R	R	R	U	R	R	R	R
Boric Acid	R	R	R	R	U	R	R	R
* Brake Fluid (non-Petroleum)	U	R	R	R	U	U	R	U
Bromine	U	U	U	U	U	U	U	R
Bromobenzene	U	U	U	U	U	U	U	R
Bunker Oil	R	U	U	U	R	R	U	R
Butane	R	M	U	R	R	U	U	R
Butter	R	U	M	R	R	R	R	R
Butyl Acetate	U	U	U	U	U	U	U	U
Butyl Alcohol	R	R	R	R	U	U	R	R
Butyl Amine	M	U	U	U	U	U	R	U
Butyl Carbitol	U	U	R	M	U	X	U	M
Butyl Cellosolve	M	U	R	M	U	U	R	U
Butyraldehyde	U	U	R	U	U	U	U	U
Carbitol	R	R	R	R	U	U	R	R

Fluid	Nitrile	SBR	EPDM	Neoprene	Polyacrylate	Urethane	Silicone	Fluoroelastomer
Carbitol Acetate	U	U	U	U	U	U	U	R
Carbon Disulfide	U	U	U	U	U	X	U	R
Carbon Tetrachloride	R	U	U	U	U	U	U	R
Carbonic Acid	R	R	R	R	R	R	R	R
Castor Oil	R	R	R	R	R	R	R	R
Cellosolve	U	R	U	U	U	U	U	U
Chassis Grease	R	U	U	M	R	X	U	R
Chloracetic Acid	U	U	R	U	U	U	X	U
Chloracetone	U	U	R	M	X	X	U	R
Chlordane	R	U	U	M	X	X	U	R
Chlorine	U	U	R	U	U	U	X	R
Chlorobenzol	U	U	U	U	U	U	U	R
Chloroform	U	U	U	U	U	U	U	R
Chlorsulfonic Acid	U	U	U	U	U	U	U	U
Chrome Plating Solution	U	U	R	U	U	U	R	R
Chromic Acid	U	U	X	U	X	X	M	R
Citric Acid	R	R	R	R	X	X	R	R
Cod Liver Oil	R	U	U	R	R	U	R	R
Coffee	R	R	R	R	U	U	R	R
Corn Oil	R	U	U	U	R	U	R	R
Creosote	R	U	U	R	R	M	U	R
Creoste Oil	R	U	U	M	X	X	M	R
Creosylic Acid	U	U	U	U	U	U	U	R
Crude Oil	R	U	U	U	R	X	U	R
Cyclohexane	R	U	U	M	R	R	U	R
Cyclohexanol	R	U	U	R	X	X	U	R
Decalin	U	U	U	U	U	U	U	R
Denatured Alcohol	R	R	R	R	U	U	R	R
Diacetone	U	U	R	U	U	U	U	U
Dibutyl Amine	U	U	U	M	U	U	U	U
Dibutyl Phthalate	U	U	R	U	U	X	X	M
Dichloro Aniline	U	U	U	U	U	U	U	M
Dichloro Butane	R	U	U	U	U	U	U	R
Diesel Oil	R	U	U	M	U	U	U	R
Diethyl Benzene	M	U	U	U	X	X	X	R
Diethylamine	R	R	R	R	U	M	R	U
Diethylene Glycol	R	R	R	R	U	U	R	R
Dimethyl Ether	U	U	U	M	M	R	U	U
Dimethyl Formamide	U	X	R	X	X	X	R	U
Dimethyl Phthalate	U	U	R	U	U	X	X	R
Dimethyl Terephthalate	U	U	U	U	U	U	U	R
Diocyl Phthalate	U	U	R	U	U	U	M	R
Dioxane	U	U	R	U	U	U	U	U
Diphenyl	U	U	U	U	U	U	U	R
Dow Corning 550	R	R	R	R	R	R	R	R

* Requires special formulation of EPDM

FLUID COMPATIBILITY TABLE

Fluid	Nitrile	SBR	EPDM	Neoprene	Polyacrylate	Urethane	Silicone	Fluoroelastomer
Dow Gard	R	R	R	R	M	M	R	R
Dowtherm A & E	U	U	U	U	U	U	U	R
Elco 28	R	U	U	M	R	R	R	R
Epoxy Resins	X	X	R	R	X	X	X	U
Ethane	R	U	U	R	R	M	U	R
Ethanol	R	R	R	R	U	R	R	R
Ethanolamine	R	R	R	R	U	M	R	U
Ethyl Acetate	U	U	R	U	U	U	R	U
Ethyl Benzene	U	U	U	U	U	U	U	R
Ethyl Cellulose	R	R	R	R	U	R	R	U
Ethyl Chloride	R	R	R	R	M	R	U	R
Ethyl Ether	M	U	M	U	U	R	U	U
Ethyl Formate	U	U	R	R	X	X	X	R
Ethyl Hexanol	M	R	R	R	X	X	X	R
Ethyl Merlaptan	U	U	X	M	X	X	M	R
Ethylene Chloride	U	U	U	U	U	U	U	R
Ethylene Glycol	R	R	R	R	U	X	R	R
Ethylene Oxide	U	U	R	U	U	U	U	U
Formaldehyde	M	M	R	M	U	U	R	U
Formic Acid	M	R	R	R	X	X	M	U
Freon 12	R	R	R	R	X	R	U	R
Fuel Oil	R	U	U	R	R	U	U	R
Furfuryl Alcohol	U	U	R	U	U	U	U	X
Furan	U	U	X	U	U	X	X	X
Furfural	U	U	R	U	U	X	U	U
Fyrquel	U	U	R	U	U	U	R	R
Gallic Acid	R	R	R	R	U	I	X	R
Gasoline	R	U	U	R	R	R	U	R
Gelatin	R	R	R	R	U	U	R	R
Glucose	R	R	R	R	X	U	R	R
Glycerine	R	R	R	R	U	U	R	R
Heptane	R	U	U	R	R	R	U	R
Hexaldehyde	U	U	R	R	X	X	R	U
Hexane	R	U	U	R	R	R	U	R
Hexanol	R	R	M	R	U	U	R	R
Home Heating Oil	R	U	U	M	R	R	R	R
Hydrazine	R	R	R	R	X	X	R	X
Hydrochloric Acid	R	M	R	R	M	U	U	R
Hydrocyanic Acid	R	R	R	R	U	X	M	R
Hydrogen Peroxide	R	R	R	R	U	X	R	R
Hydrogen Sulfide	U	U	R	R	U	X	M	U
Hydroquinone	M	U	U	U	U	X	X	R
Hypoid Gear Lube	R	U	U	M	R	R	M	R
Iodine	R	R	R	U	X	X	X	R
Iso Octane	R	U	U	R	R	R	U	R
Iso Phorone	U	U	R	U	U	U	U	U
Isocyanate	X	X	X	X	X	X	X	R
Isopar	R	X	U	R	R	R	U	R
Isopropanol	R	R	R	R	U	U	R	R
Isopropyl Acetate	U	U	R	U	U	U	U	U

Fluid	Nitrile	SBR	EPDM	Neoprene	Polyacrylate	Urethane	Silicone	Fluoroelastomer
JP-4(MIL-J-5624)	R	U	U	U	R	R	U	R
JP-4(MIL-J-5624)	R	U	U	U	R	R	U	R
Kerosene	R	U	U	R	R	R	U	R
Lacquers	U	U	U	U	U	U	U	U
Lactic Acid	R	R	R	R	U	X	X	R
Lard	R	U	R	R	R	R	R	R
Linoleic Acid	R	U	U	R	X	X	R	R
Linseed Oil	R	U	M	M	R	X	R	R
Lye Solutions	R	R	R	R	U	U	R	R
Malathion	R	U	U	X	X	X	U	R
Maleic Acid	U	U	U	U	U	X	X	R
Mercury	R	R	R	R	X	X	X	R
Meter-Cresol	U	U	U	R	U	U	U	R
Methacrylic Acid	U	U	R	R	U	U	U	M
Methane	R	U	U	R	R	M	U	R
Methanol	R	R	R	R	U	U	U	U
Methyl Acetate	U	U	R	R	U	U	U	U
Methyl Cellosolve	M	U	R	R	U	U	U	M
Methyl Ether Ketone	U	U	R	U	U	U	U	U
Methyl Mercaptan	X	X	R	X	X	X	X	X
Methylene Chloride	U	U	U	U	U	U	U	R
Milk	R	R	R	R	U	U	R	R
Mineral Oil	R	U	M	R	R	R	R	R
Mineral Spirits	R	U	U	U	R	R	U	R
Monovinyl Acetylene	R	R	R	R	X	X	R	R
Mustard	X	R	R	X	X	X	R	R
Naphtha	R	U	U	U	R	R	U	R
Naphthalene	U	U	U	U	X	X	U	R
Naphthenic Acid	R	U	U	U	X	X	U	R
Natural Gas	R	R	U	R	R	R	R	R
Neatsfoot Oil	R	U	R	U	R	R	R	R
Nitric Acid	U	M	R	U	U	U	U	M
Nitrobenzene	U	U	U	U	U	U	U	R
Nitropropane	U	U	R	U	U	U	U	U
Octane	R	U	U	U	U	U	U	R
Octanol	R	R	R	R	U	U	R	R
Oleic Acid	M	U	U	M	X	X	U	R
Oleum	R	U	U	M	X	X	U	R
Oronite 8200	R	U	U	R	X	R	U	R
Oxalic Acid	R	R	R	R	R	X	X	R
Peanut Oil	R	U	M	M	R	X	R	R
Pentane	R	M	U	R	R	U	U	R
Perchlorethylene	R	U	U	U	U	U	U	R
Petroleum Ether	U	U	U	U	U	U	U	R
Phenol	U	U	U	U	U	U	U	R
Phenylhydrazine	U	M	U	U	U	X	X	R
Phosphoric Acid	R	R	R	R	M	U	R	R
Pine Oil	R	U	U	U	U	X	X	R
Potassium Hydroxide	R	R	R	R	U	U	M	U
Propane	R	U	U	R	R	M	U	R

FLUID COMPATIBILITY TABLE

Fluid	Nitrile	SBR	EPDM	Neoprene	Polyacrylate	Urethane	Silicone	Fluoroelastomer
Propanol	R	R	R	R	U	U	R	R
Propyl Acetate	U	U	R	U	U	U	U	U
Propylene Glycol	R	R	R	M	U	M	R	R
Pydraul	U	U	R	U	U	U	U	R
Pyranol	R	U	U	R	R	R	U	R
Pyridine	U	R	U	U	U	X	U	U
Rapeseed Oil	R	U	R	R	R	R	U	R
Resurcinol	X	R	R	X	X	X	X	X
SAE 10W30	R	U	U	M	R	R	R	R
Seawater	R	R	R	R	U	U	R	X
Silicone Grease	R	R	R	R	R	R	R	R
Silver Nitrate	R	R	R	R	R	R	R	R
Skelly Solvent	R	U	U	U	X	X	X	R
Skydrol	U	U	R	U	U	U	U	R
Skydrol 500	U	U	R	U	U	U	U	R
Sodium Hydroxide	R	R	R	R	U	R	R	R
Sovasol	R	U	U	R	R	R	U	R
Soy Bean Oil	R	U	M	M	R	X	R	R
Stearic Acid	R	R	R	R	R	U	U	R
Stoddard Solvent	R	U	U	R	R	R	U	R
Sucrose	R	R	R	R	U	U	R	R

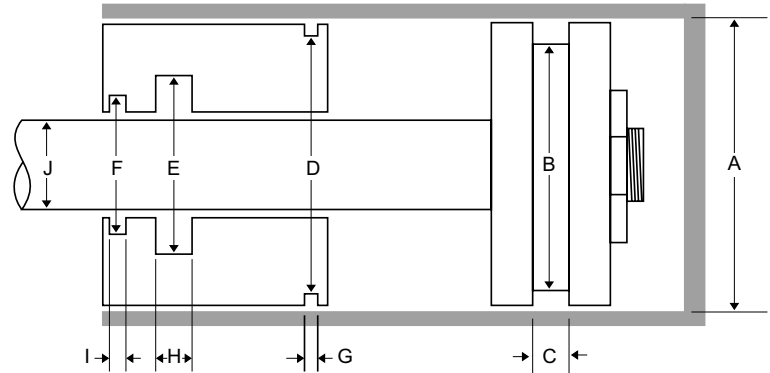
Fluid	Nitrile	SBR	EPDM	Neoprene	Polyacrylate	Urethane	Silicone	Fluoroelastomer
Sulfuric Acid	R	R	R	R	R	U	U	R
Tall Oil	R	U	U	M	R	U	X	R
Tannic Acid	R	R	R	R	U	X	R	R
Tar	R	U	U	M	U	X	R	R
Tartaric Acid	R	R	R	R	X	X	R	R
Tetrachloro Ethane	U	U	U	U	U	U	U	R
Tetralin	U	U	U	U	U	U	U	R
Tidewater Oil	R	U	U	R	R	R	R	R
Toluene	U	U	U	U	U	U	U	R
Trichloro Ethylene	M	U	U	U	U	U	U	R
Triethanol Amine	M	R	R	R	U	U	X	U
Turbine Oil	R	U	U	U	R	R	U	R
Turpentine	R	U	U	U	R	U	U	R
UCDN 50HB280X	R	R	R	R	X	X	R	R
Univis J-43	R	U	U	R	R	R	U	R
Varnish	R	U	U	U	U	M	U	R
Vinegar	R	R	R	R	U	U	R	R
Water	R	R	R	R	U	U	R	R
Wheat Germ Oil	R	U	U	M	R	R	R	R
Whiskey & Wine	R	R	R	R	U	U	R	R
Wood Oil	R	U	U	R	X	M	U	R

HOW TO SIZE GROOVE DIMENSIONS FOR SEALS

HOW OFTEN HAVE YOU RECEIVED A CYLINDER FOR REPAIR AND THE SEALS WERE . . .

- MISSING
- EXTRUDED
- ROLLED
- COOKED
- NIBBLED
- SPLIT
- INCORRECT
- TWISTED
- WORN OUT

The chart below can be used by your counter people, repair shops, or sales people to determine the seals you need. Note the dimensions, refer to your Hercules® Sealing Products Catalog, and call our sales staff with your information. If the part number(s) you need can't be located in the catalog, our Sales personnel will be glad to help you .



Call us TOLL FREE! 1-800-777-5617

FOR A PROFESSIONAL ANALYSIS OF SEAL FAILURE, SEND YOUR DAMAGED SEALS TO OUR ENGINEERING DEPARTMENT.

PISTON SEALS AND BEARINGS

DIAGRAM REFERENCE

- A = Bore = Nominal Seal O.D.
- B = Groove Diameter = Nominal Seal I.D.
- C = Groove Width = Nominal Seal Width

DIMENSIONS

ROD SEALS AND BEARINGS

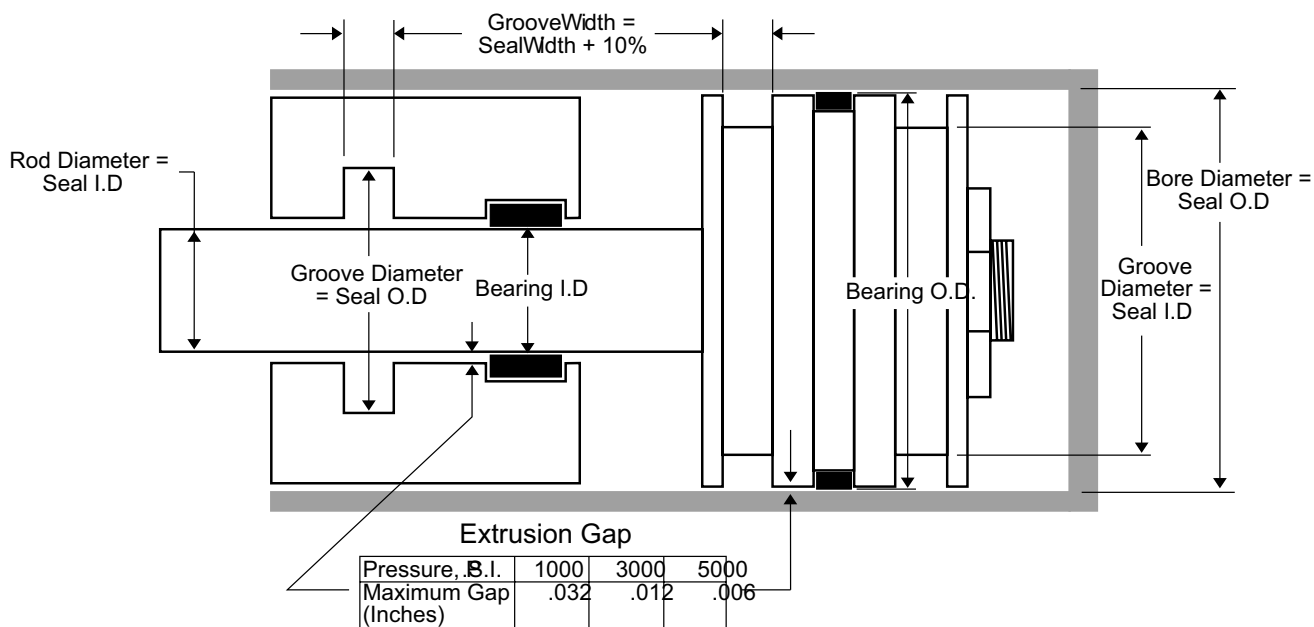
DIAGRAM REFERENCE

- D = Gland Groove Diameter = Nominal Seal I.D.
- E = Rod Seal Groove Diameter = Nominal Seal O.D.
- F = Wiper Groove Diameter = Nominal Wiper O.D.
- G = Gland Groove Width = Nominal Seal Width
- H = Rod Seal Groove Width = Nominal Seal Width
- I = Wiper Groove Width = Base Width
- J = Rod Diameter = Seal & Nominal Wiper I.D.

DIMENSIONS

COPY FOR SHOP & COUNTER USE

GROOVE DIMENSIONS FOR URETHANE U-SEALS



ROD AND ROD GROOVE DIAMETERS

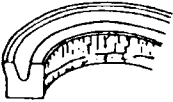
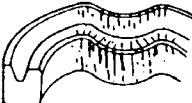
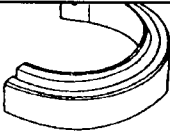









ROD DIAM RANGE, IN.	ROD DIAM. TOLERANCE	GROOVE DIAM TOLERANCE	MAX DIAMETRICAL CLEARANCE		
			1000 PSI	3000 PSI	5000 PSI
.125 - .687	+ .0 / -.002	+ .004 / -.0	.008	.006	.004
.750 - 2.875	+ .0 / -.003	+ .008 / -.0	.012	.008	.004
3.000 - 7.000	+ .0 / -.004	+ .010 / -.0	.014	.010	-
7.000 - 7.750	+ .0 / -.005	+ .011 / -.0	.016	.010	-
8.000 - 9.500	+ .0 / -.005	+ .012 / -.0	.016	-	-
10.000 - 15.000	+ .0 / -.006	+ .015 / -.0	.016	-	-


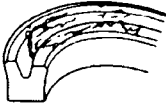
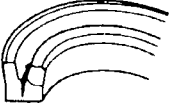
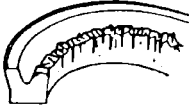
BORE AND PISTON GROOVE DIAMETERS

BORE DIAM RANGE, IN.	BORE DIAM. TOLERANCE	GROOVE DIAM TOLERANCE	MAX DIAMETRICAL CLEARANCE		
			1000 PSI	3000 PSI	5000 PSI
.750 - 1.062	+ .003 / -.0	+ .0 / -.004	.010	.008	.004
1.125 - 1.625	+ .003 / -.0	+ .0 / -.005	.010	.008	.004
1.750 - 2.500	+ .003 / -.0	+ .0 / -.007	.012	.008	.004
2.625 - 2.875	+ .003 / -.0	+ .0 / -.008	.012	.008	.005
3.000 - 3.500	+ .004 / -.0	+ .0 / -.008	.014	.010	-
3.625 - 5.625	+ .004 / -.0	+ .0 / -.009	.014	.010	-
5.750 - 6.750	+ .004 / -.0	+ .0 / -.010	.014	.010	-
7.000 - 8.500	+ .005 / -.0	+ .0 / -.011	.016	.010	-
9.000 - 11.000	+ .005 / -.0	+ .0 / -.011	.016	-	-
12.000 - 16.000	+ .006 / -.0	+ .0 / -.012	.018	-	-

EXAMPLES OF SEAL FAILURES AND THEIR CAUSES

EXAMPLES OF SEAL FAILURES AND THEIR CAUSES

TYPE OF FAILURE	VISIBLE CONDITION	PROBABLE CAUSE	POSSIBLE CURE
HARDENING	Hardening of the dynamic face causing glazing and cracks 	Heat generated by high speed	Slow stroke speed Use alternative seal device
	Hardening of the whole seal. Loss of elasticity. 	High fluid temperature. Deterioration of fluid. Compatibility of seal to fluid	Lower oil temperature. Renew Fluid Change to different seal compound
WEAR	Dynamic face is worn to glossy mirror-like finish 	Insufficient lubrication	Check oil viscosity Use alternative seal device
	Wear on dynamic lip is egg-shaped 	Rod or piston bore not concentric	Hone to within seal specs Replace worn rod or cylinder tube
	Abnormal wear on one side of the dynamic lip 	Worn bearing or wear ring. Excessive lateral load	Replace bearings Increase bearing area
SCARRING	Cut or dent on the lip 	Storage on a nail or peg. Improper installation tool	Store flat in a plastic bag in a closed cardboard box Installation tools should not have sharp edges
	Scratches on the dynamic side 	Scars on the rod or bore. Foreign material in fluid	Hone, polish, and de-burr metal parts Flush system
SWELLING	Material soft and misshaped 	Absorption of fluid. Fluid and seal are incompatible. Water in system	Change seal compound or system fluid Flush system
DETERIORATION	Cracks and loss of elasticity. Material easily crumbles 	High fluid temperature. Exposure to ozone or sunlight	Lower oil temperature Store seals away from sunlight and arc welding area.
GROOVING	Axial cuts on the dynamic side 	Metal chips or other foreign material in system. Imploded air bubbles	Flush system Bleed air from system
EXTRUSION	Extruded material on dynamic side of heel 	Gap between mating surfaces too wide. Worn bearings. Pressure extreme	Employ back-up ring. Replace bearings. Use alternative seal
	Extruded material on static side of seal 	Uneven support surface. Undersize back-up ring	Machine surface. Correct back-up size

EXAMPLES OF SEAL FAILURES AND THEIR CAUSES			
TYPE OF FAILURE	VISIBLE CONDITION	PROBABLE CAUSE	POSSIBLE CURE
FRACTURING	Chunks of material torn from dynamic side 	Excessive back pressure	Check relief valves
	Pressure side of seal burned and broken 	Explosion of residual air at high pressure. "Dieseling"	Check maximum pressure. Bleed air from system
	Long cracks in the "V" portion of the seal 	Frequent high pressure shocks or spikes. Low temperature start-up	Use alternative style seal. Warm system before applying pressure
	Breaking off of entire dynamic side 	Deterioration of material and/or fluid	Use alternative material or seal. Flush system

For a professional analysis of seal failure, send your damaged seals to our Engineering Department.

SEAL FAILURE INSPECTION CHECK LIST

When trying to determine the cause of a seal failure, it is imperative that all aspects of the situation be investigated. Often, a seal failure points to another part of the hydraulic system that has failed or been compromised in some way. To help you determine where the potential cause of a failure lies, we have developed a seal failure check list. By filling in the necessary information, you should be able to determine the cause of a failure and decide what measures to take to assure future trouble-free operation. If you have any questions regarding this form, please contact our sales staff at 1-800-777-5617.

Please Fill This Out Completely

1. Describe the application:
 - A. Type:** Telescopic Piston-rod cylinder Pump/Motor Other _____
 - B. Fluid Medium:** Type: _____
 - Pressure: normal: _____ psi Temperature: system: _____ °F ambient: _____ °F
 - min: _____ psi min: _____ °F
 - max: _____ psi max: _____ °F
 - C. Speed:** Cycles/min: _____ Length of stroke: _____ in Average speed: _____
2. Inspect the application before seal removal:
 - A. Amount of leakage:**..... Slight Moderate Heavy leakage
 - B. Condition of area:** Clean Dusty Mud packed
 - Painted Other _____
 - C. Leakage source:**..... Between wiper lip and rod Wiper blown out
 - At gland bolt holes At gland OD
 - Between piston and rod Across piston seal Other _____
3. Inspect external cylinder conditions:
 - Collision that caused a pressure spike in cylinder Cylinder dented Side loading present
4. Remove seals and inspect internal cylinder conditions
 - A. Shaft:** Rod diameter out of tolerance (check entire length) Rod is scratched or scarred
 - Eccentricity of rod and cylinder head Surface finish (RMS) is too smooth or too rough
 - B. Bore:** Bore diameter out of tolerance (check entire length) Bore is scratched or scarred
 - Bore is out of round Surface finish (RMS) is too smooth or too rough
 - Eccentricity of piston head and cylinder bore
 - C. Groove:** Groove dimensions are out of tolerance Surface is nicked or scratched
 - Surface is dirty or rusted Surface finish (RMS) is too smooth or too rough
 - D. Bearing surfaces:** Improper support causing eccentricity Abnormal wear of wear ring and/or bearing surfaces
5. Inspect the seals for signs of failure:
 - A. Describe the failed seal**
 - i. Seal type: Piston Rod Static
 - Part Number: _____ Size: _____ Material: _____ Profile: _____
 - Companion parts: _____
 - ii. Operation: Dynamic: Rotary Reciprocating Oscillating
 - Static: Radial Face
 - B. Describe the conditions of failure**
 - i. Service length until failure: _____
 - ii. Describe seal condition: See Chart in Master Seal Catalog

METRIC / INCH CONVERSION TABLE

Inches		Millimeters	Inches		Millimeters	Inches		Millimeters	Inches		Millimeters
Fractions	Decimals		Fractions	Decimals		Fractions	Decimals		Fractions	Decimals	
—	.0004	.01	—	.374	9.5	13/16	.8125	20.638	—	1.4961	38.0
—	.004	.10	3/8	.375	9.525	—	.8268	21.0	1-1/2	1.500	38.100
—	.01	.25	25/64	.391	9.922	53/64	.828	21.034	1-17/32	1.531	38.894
1/64	.0156	.397	—	.3937	10.0	27/32	.844	21.431	—	1.5354	39.0
—	.0197	.50	13/32	.406	10.319	55/64	.859	21.828	1-9/16	1.562	39.688
—	.0295	.75	—	.413	10.5	—	.8661	22.0	—	1.5748	40.0
1/32	.03125	.794	27/64	.422	10.716	7/8	.875	22.225	1-19/32	1.594	40.481
—	.0394	1.0	—	.4331	11.0	57/64	.8906	22.622	—	1.6142	41.0
3/64	.0469	1.191	7/16	.438	11.113	—	.9055	23.0	1-5/8	1.625	41.275
—	.059	1.5	29/64	.453	11.509	29/32	.9062	23.019	—	1.6535	42.0
1/16	.062	1.588	15/32	.469	11.906	59/64	.922	23.416	1-21/32	1.6562	42.069
5/64	.0781	1.984	—	.4724	12.0	15/16	.9375	23.813	1-11/16	1.6875	42.863
—	.0787	2.0	31/64	.484	12.303	—	.9449	24.0	—	1.6929	43.0
3/32	.094	2.381	—	.492	12.5	61/64	.953	24.209	1-23/32	1.719	43.656
—	.0984	2.5	1/2	.500	12.700	31/32	.969	24.606	—	1.7323	44.0
7/64	.109	2.778	—	.5118	13.0	—	.9843	25.0	1-3/4	1.750	44.450
—	.1181	3.0	33/64	.5156	13.097	63/64	.9844	25.003	—	1.7717	45.0
1/8	.125	3.175	17/32	.531	13.494	1	1.000	25.400	1-25/32	1.781	45.244
—	.1378	3.5	35/64	.547	13.891	—	1.0236	26.0	—	1.8110	46.0
9/64	.141	3.572	—	.5512	14.0	1-1/32	1.0312	26.194	1-13/16	1.8125	46.038
5/32	.156	3.969	9/16	.563	14.288	1-1/16	1.062	26.988	1-27/32	1.844	46.831
—	.1575	4.0	—	.571	14.5	—	1.063	27.0	—	1.8504	47.0
11/64	.172	4.366	37/64	.578	14.684	1-3/32	1.094	27.781	1-7/8	1.875	47.625
—	.177	4.5	—	.5906	15.0	—	1.1024	28.0	—	1.8898	48.0
3/16	.1875	4.763	19/32	.594	15.081	1-1/8	1.125	28.575	1-29/32	1.9062	48.419
—	.1969	5.0	39/64	.609	15.478	—	1.1417	29.0	—	1.9291	49.0
13/64	.203	5.159	5/8	.625	15.875	1-5/32	1.156	29.369	1-15/16	1.9375	49.213
—	.2165	5.5	—	.6299	16.0	—	1.1811	30.0	—	1.9685	50.0
7/32	.219	5.556	41/64	.6406	16.272	1-3/16	1.1875	30.163	1-31/32	1.969	50.006
15/64	.234	5.953	—	.6496	16.5	1-7/32	1.219	30.956	2	2.000	50.800
—	.2362	6.0	21/32	.658	16.669	—	1.2205	31.0	—	2.0079	51.0
1/4	.250	6.350	—	.6693	17.0	1-1/4	1.250	31.750	2-1/32	2.03125	51.594
—	.2559	6.5	43/64	.672	17.066	—	1.2598	32.0	—	2.0472	52.0
17/64	.2656	6.747	11/16	.6875	17.463	1-9/32	1.281	32.544	2-1/6	2.062	52.388
—	.2756	7.0	45/64	.703	17.859	—	1.2992	33.0	—	2.0866	53.0
9/32	.281	7.144	—	.7087	18.0	1-5/16	1.312	33.338	2-3/32	2.094	53.181
—	.2953	7.5	23/32	.719	18.256	—	1.3386	34.0	2-1/8	2.125	53.975
19/64	.297	7.541	—	.7283	18.5	1-11/32	1.344	34.131	—	2.126	54.0
5/16	.312	7.938	47/64	.734	18.653	1-3/8	1.375	34.925	2-5/32	2.156	54.769
—	.315	8.0	—	.7480	19.0	—	1.3779	35.0	—	2.165	55.0
21/64	.328	8.334	3/4	.750	19.050	1-13/32	1.406	35.719	2-3/16	2.1875	55.563
—	.335	8.5	49/64	.7656	19.447	—	1.4173	36.0	—	2.2047	56.0
11/32	.344	8.731	25/32	.781	19.844	1-7/16	1.438	36.513	2-7/32	2.219	56.356
—	.3543	9.0	—	.7874	20.0	—	1.4567	37.0	—	2.244	57.0
23/64	.359	9.128	51/64	.797	20.241	1-15/32	1.469	37.306	2-1/4	2.250	57.150

METRIC / INCH CONVERSION TABLE

Inches		Millimeters
Fractions	Decimals	
2-9/32	2.281	57.944
—	2.2835	58.0
2-5/16	2.312	58.738
—	2.3228	59.0
2-11/32	2.344	59.531
—	2.3622	60.0
2-3/8	2.375	60.325
—	2.4016	61.0
2-13/32	2.406	61.119
2-7/16	2.438	61.913
—	2.4409	62.0
2-15/32	2.469	62.706
—	2.4803	63.0
2-1/2	2.500	63.500
—	2.5197	64.0
2-17/32	2.531	64.294
—	2.559	65.0
2-9/16	2.562	65.088
2-19/32	2.594	65.881
—	2.5984	66.0
2-5/8	2.625	66.675
—	2.638	67.0
2-21/32	2.656	67.469
—	2.6772	68.0
2-11/16	2.6875	68.263
—	2.7165	69.0
2-23/32	2.719	69.056
2-3/4	2.750	69.850
—	2.7559	70.0
2-25/32	2.781	70.6439
—	2.7953	71.0
2-13/16	2.8125	71.4376
—	2.8346	72.0
2-27/32	2.844	72.2314
—	2.8740	73.0
2-7/8	2.875	73.025
2-29/32	2.9062	73.819
—	2.9134	74.0
2-15/16	2.9375	74.613
—	2.9527	75.0
2-31/32	2.969	75.406
—	2.9921	76.0
3	3.000	76.200
3-1/32	3.0312	76.994
—	3.0315	77.0

Inches		Millimeters
Fractions	Decimals	
3-1/16	3.062	77.788
—	3.0709	78.0
3-3/32	3.094	78.581
—	3.1102	79.0
3-1/8	3.125	79.581
—	3.1496	80.0
3-5/32	3.156	80.169
3-3/16	3.1875	80.963
—	3.1890	81.0
3-7/32	3.219	81.756
—	3.2283	82.0
3-1/4	3.250	82.550
—	3.2677	83.0
3-9/32	3.281	83.344
—	3.3071	84.0
3-5/16	3.312	84.1377
3-11/32	3.344	84.9314
—	3.3464	85.0
3-3/8	3.375	85.725
—	3.3858	86.0
3-13/32	3.406	86.519
—	3.4252	87.0
3-7/16	3.438	87.313
—	3.4648	88.0
3-15/32	3.469	88.108
3-1/2	3.500	88.900
—	3.5039	89.0
3-17/32	3.531	89.694
—	3.5433	90.0
3-9/16	3.562	90.4877
—	3.5827	91.0
3-19/32	3.594	91.281
—	3.622	92.0
3-5/8	3.625	92.075
3-21/32	3.656	92.869
—	3.6614	93.0
3-11/16	3.6875	93.663
—	3.7008	94.0
3-23/32	3.719	94.456
—	3.7401	95.0
3-3/4	3.750	95.250
—	3.7795	96.0
3-25/32	3.781	96.044
3-13/16	3.8125	96.838
—	3.8189	97.0

Inches		Millimeters
Fractions	Decimals	
3-27/32	3.844	97.631
—	3.8583	98.0
3-7/8	3.875	98.425
—	3.8976	99.0
3-29/32	3.9062	99.219
—	3.9370	100.0
3-15/16	3.9375	100.013
3-31/32	3.969	100.806
—	3.9764	101.0
4	4.000	101.600
4-1/16	4.062	103.188
4-1/8	4.125	104.775
—	4.1338	105.0
4-3/16	4.1875	106.363
4-1/4	4.250	107.950
4-5/16	4.312	109.538
—	4.3307	110.0
4-3/8	4.375	111.125
4-7/16	4.438	112.713
4-1/2	4.500	114.300
—	4.5275	115.0
4-9/16	4.562	115.888
4-5/8	4.625	117.475
4-11/16	4.6875	119.063
—	4.7244	120.0
4-3/4	4.750	120.650
4-13/16	4.8125	122.238
4-7/8	4.875	123.825
—	4.9212	125.0
4-15/16	4.9375	125.413
5	5.000	127.000
—	5.1181	130.0
5-1/4	5.250	133.350
5-1/2	5.500	139.700
—	5.5118	140.0
5-3/4	5.750	146.050
—	5.9055	150.0
6	6.000	152.400
6-1/4	6.250	158.750
—	6.2992	160.0
6-1/2	6.500	165.100
—	6.6929	170.0
6-3/4	6.750	171.450
7	7.000	177.800
—	7.0866	180.0

Inches		Millimeters
Fractions	Decimals	
—	7.4803	190.0
7-1/2	7.500	190.500
—	7.8740	200.0
8	8.000	203.200
—	8.2677	210.0
8-1/2	8.500	215.900
—	8.6614	220.0
9	9.000	228.600
—	9.0551	230.0
—	9.4488	240.0
9-1/2	9.500	241.300
—	9.8425	250.0
10	10.000	254.00
—	10.2362	260.0
—	10.6299	270.0
11	11.000	279.40
—	11.0236	280.0
—	11.4173	290.0
—	11.8110	300.0
12	12.000	304.80
13	13.000	330.20
—	13.7795	350.0
14	14.000	355.60
15	15.000	381.00
—	15.7480	400.0
16	16.000	406.40
17	17.000	431.80
—	17.7165	450.0
18	18.000	457.20
19	19.000	482.60
—	19.6850	500.0
20	20.000	508.00

CYLINDER PUSH AND PULL FORCES

Piston - Rod Cylinder Force

Working Pressure of Hydraulic Fluid PSI

BORE	AREA	ROD	SIZE	50	100	250	500	1000	1500	2000	3000	5000
1-1/2	PUSH	—		88	177	443	885	1,770	2,655	3,540	5,310	8,850
	PULL	STD	5/8	73	146	365	730	1,460	2,190	2,920	4,380	7,300
	PULL	2:1	1	49	98	245	490	980	1,470	1,960	2,940	4,900
2	PUSH	—		157	314	785	1,570	3,140	4,710	6,280	9,420	15,700
	PULL	STD	1	118	236	590	1,180	2,360	3,540	4,720	7,080	11,800
	PULL	2:1	1-3/8	83	166	415	830	1,660	2,490	3,320	4,980	8,300
2-1/2	PUSH	—		246	491	1,228	2,455	4,910	7,265	9,820	14,730	24,550
	PULL	STD	1	206	412	1,030	2,060	4,120	6,180	8,240	12,360	20,600
	PULL	2:1	1-3/4	125	250	625	1,250	2,500	3,750	5,000	7,500	12,500
3-1/2	PUSH	—		415	830	2,075	4,150	8,300	12,450	16,600	24,900	41,500
	PULL	STD	1-3/8	341	681	1,703	3,405	6,810	10,215	13,620	20,430	34,050
	PULL	2:1	2	258	515	1,288	2,575	5,150	7,725	10,300	15,450	25,750
4	PUSH	—		628	1,257	3,143	6,285	12,570	18,855	25,140	37,710	62,850
	PULL	STD	1-3/4	508	1,016	2,540	5,080	10,160	15,240	20,320	30,480	50,800
	PULL	2:1	2-1/2	383	766	1,916	3,830	7,660	11,490	15,320	22,980	38,300
5	PUSH	—		982	1,964	4,910	9,820	19,640	29,460	39,280	58,920	98,200
	PULL	STD	2	825	1,649	4,123	8,245	16,490	24,735	32,980	49,470	82,450
	PULL	2:1	3-1/2	500	1,001	2,503	5,005	10,010	15,015	20,020	30,030	50,050
6	PUSH	—		1,413	2,827	7,068	14,135	28,270	42,405	56,540	84,810	141,350
	PULL	STD	2-1/2	1,168	2,336	5,840	11,680	23,360	35,040	46,720	70,080	116,800
	PULL	2:1	4	786	1,571	3,928	7,855	15,710	23,565	31,420	47,130	78,550
7	PUSH	—		1,924	3,849	9,623	19,245	38,490	57,735	76,980	115,470	192,450
	PULL	STD	3	1,571	3,142	7,855	15,710	31,420	47,130	62,840	94,260	157,100
	PULL	2:1	5	942	1,885	4,713	9,425	18,850	28,275	37,700	56,550	94,250
8	PUSH	—		2,514	5,027	12,568	25,135	50,270	75,405	100,540	150,810	251,350
	PULL	STD	3-1/2	2,032	4,064	10,160	20,320	40,640	60,960	81,280	121,920	203,200
	PULL	2:1	5-1/2	1,326	2,651	6,628	13,255	26,510	39,765	53,020	79,530	132,550
10	PUSH	—		3,927	7,854	19,635	39,270	78,540	117,810	157,080	235,620	392,700
	PULL	STD	4-1/2	3,132	6,264	15,660	31,320	62,640	93,960	125,280	187,920	313,200
	PULL	2:1	7	2,003	4,006	10,015	20,030	40,060	60,090	80,120	120,180	200,300

This table is a ready reference of forces available from either end from various cylinder and rod sizes at a range of pressures. For pressures intermediate between those shown, add force values from two or more pressures whose sum equals the given operating pressure. Values neglect friction and back pressure on the return side.

FLUID MOTOR TORQUE

In Inch Pounds

RPM	Horsepower												
	1	2	3	4	5	6	7	8	9	10	15	20	25
1	63,025	126,050	189,076	252,100	315,125	378,150	441,175	504,200	567,225	630,250	945,375	1,260,507	1,575,634
2	31,512	63,025	94,538	126,050	157,563	189,075	220,588	252,100	283,613	315,125	472,688	630,250	787,813
3	21,009	42,017	63,025	84,036	105,042	126,050	147,058	168,067	189,075	210,083	315,125	420,167	525,208
4	15,756	31,512	47,269	63,025	78,781	94,538	110,294	126,050	141,806	157,563	236,344	315,125	393,906
5	12,605	25,210	37,815	50,420	63,025	75,630	88,236	100,840	113,445	126,050	189,076	252,100	315,125
6	10,506	21,009	31,513	42,017	52,521	63,025	73,529	84,033	94,538	105,040	157,563	210,083	262,604
7	9,004	18,007	27,011	36,016	45,018	54,021	63,025	72,029	81,032	90,036	135,054	180,071	225,089
8	7,878	15,756	23,634	31,512	39,391	47,269	55,147	63,025	70,903	78,780	118,172	157,563	196,953
9	7,003	14,006	21,010	28,011	35,014	42,017	49,019	56,022	63,025	70,030	105,042	140,056	175,069
10	6,303	12,605	18,908	25,210	31,512	37,815	44,118	50,420	56,723	63,025	94,538	126,050	157,563
20	3,151	6,303	9,454	12,605	15,756	18,908	22,059	25,210	28,316	31,512	47,269	63,025	78,781
25	2,521	5,042	7,563	10,084	12,605	15,126	17,647	20,168	22,689	25,210	37,815	50,420	63,025
30	2,101	4,202	6,303	8,403	10,504	12,605	14,705	16,807	18,908	21,009	31,513	42,017	52,521
40	1,576	3,151	4,727	6,303	7,878	9,454	11,029	12,605	14,181	15,756	23,634	31,513	39,391
50	1,261	2,521	3,782	5,042	6,303	7,563	8,824	10,084	11,345	12,605	18,908	25,210	31,513
60	1,050	2,101	3,151	4,202	5,252	6,303	7,353	8,403	9,454	10,504	15,756	21,009	26,260
70	900	1,801	2,701	3,601	4,502	5,402	6,303	7,203	8,103	9,004	13,506	18,007	22,509
75	840	1,681	2,521	3,361	4,202	5,042	5,882	6,723	7,563	8,403	12,605	16,806	21,008
80	788	1,576	2,363	3,151	3,939	4,727	5,515	6,303	7,090	7,878	11,817	15,756	19,695
90	700	1,400	2,101	2,801	3,501	4,202	4,902	5,602	6,303	7,003	10,504	14,006	17,507
100	630	1,261	1,891	2,521	3,151	3,782	4,412	5,042	5,672	6,303	9,453	12,605	15,758
150	420	840	1,261	1,681	2,101	2,521	2,941	3,361	3,781	4,202	6,303	8,403	10,504
200	315	630	945	1,261	1,575	1,891	2,206	2,521	2,836	3,151	4,727	6,303	7,878
250	252	504	756	1,008	1,260	1,531	1,765	2,017	2,269	2,521	3,782	5,042	6,303
300	210	420	630	840	1,050	1,261	1,471	1,681	1,891	2,101	3,151	4,202	5,252
350	180	360	540	720	900	1,080	1,261	1,441	1,621	1,801	2,701	3,601	4,502
400	158	315	473	630	788	945	1,104	1,261	1,418	1,576	2,364	3,151	3,939
450	141	280	420	560	700	840	980	1,120	1,261	1,401	2,101	2,801	3,501
500	126	252	378	504	630	756	882	1,008	1,134	1,261	1,891	2,521	3,151
550	115	229	344	458	573	688	802	917	1,031	1,146	1,719	2,292	2,865
600	105	210	315	420	525	630	735	840	945	1,050	1,576	2,101	2,626
650	97	194	291	388	485	582	679	776	873	970	1,454	1,939	2,424
700	90	180	270	360	450	540	630	720	810	900	1,351	1,801	2,251
750	84	168	252	336	420	504	588	672	756	840	1,261	1,681	2,101
800	79	158	236	315	393	473	551	630	709	788	1,182	1,576	1,970
850	74	148	222	297	371	445	519	593	667	741	1,112	1,483	1,854
900	70	140	210	280	350	420	490	560	630	700	1,050	1,400	1,751
950	66	133	199	265	332	398	464	531	597	663	995	1,327	1,659
1000	63	126	189	252	315	378	441	504	567	630	945	1,261	1,576
1100	57	115	172	229	286	344	401	458	516	573	860	1,146	1,432
1200	53	105	158	210	263	315	368	420	473	525	788	1,050	1,313
1300	48	97	145	194	242	291	339	388	436	485	727	970	1,212
1400	45	90	135	180	225	270	315	360	405	450	675	900	1,125
1500	42	84	126	168	210	252	294	336	378	420	630	840	1,050
1600	39	79	118	158	197	236	276	315	355	394	591	788	985
1700	37	74	111	148	185	222	260	296	334	371	556	741	927
1800	35	70	105	140	175	210	245	280	315	350	525	700	875
1900	33	66	100	133	166	199	232	265	299	332	498	663	829
2000	32	63	95	126	158	189	221	252	284	315	473	630	788
2100	30	60	90	120	150	180	210	240	270	300	450	600	750
2200	29	57	86	115	143	172	201	229	258	286	430	573	716
2300	27	55	82	110	137	164	192	219	247	274	411	548	685
2400	26	53	79	105	131	158	184	210	236	263	394	525	657
2500	25	50	76	101	126	151	176	202	227	252	378	504	630
2750	23	46	69	92	115	138	160	183	206	229	344	458	573
3000	21	42	63	84	105	126	147	168	189	210	315	420	525
3250	19	39	58	78	97	116	136	155	175	194	291	388	485
3500	18	36	54	72	90	108	126	144	162	180	270	360	450
3750	17	34	50	67	84	101	118	134	151	168	252	336	420
4000	16	32	47	63	79	95	110	126	142	158	236	315	394
4250	15	30	44	59	74	89	104	119	133	148	222	297	371
4500	14	28	42	56	70	84	98	112	126	140	210	280	350
4750	13	27	40	53	66	80	93	106	119	133	199	265	332
5000	13	25	38	50	63	76	88	101	113	126	189	252	315
6000	11	21	32	42	53	63	74	84	95	105	158	210	263
7000	9	18	27	36	45	54	63	72	81	90	135	180	225
8000	8	16	24	32	39	47	55	63	71	79	118	158	197
9000	7	14	21	28	35	42	49	56	63	70	105	140	175
10000	6	13	19	25	32	38	44	50	57	63	95	126	158

HYDRAULIC CYLINDER SPEEDS

Inches / Minute

PISTON DIAMETER	ROD DIAMETER	FLOW - GPM										
		1	2	3	5	10	12	15	20	25	50	75
1	—	298	596	894	1490							
	1/2	392	784	1176	1960							
1-1/2	—	130	260	392	654	1308						
	5/8	158	316	476	792	1584						
	1	235	470	706	1176	2352						
2	—	73	146	221	368	736	883	1120				
	3/4	85	170	257	428	956	1025	1283				
	1	97	184	294	490	980	1175	1465				
	1-3/8	139	278	418	697	1394	1673	2090				
2-1/2	—	47	94	141	235	470	565	675	940	1175		
	1	56	112	168	280	560	672	840	1120	1400		
	1-3/8	67	134	203	339	678	813	1015	1355	1695		
	1-3/4	92	184	277	463	926	1110	1385	1850	2310		
3	—	32	64	98	163	326	392	490	653	817		
	1	36	72	110	184	368	440	551	735	920		
	1-1/2	43	86	131	218	436	523	655	872	1090		
	2	58	116	176	294	588	705	882	1175	1470		
3-1/2	—	24	48	72	120	240	288	360	480	600	1200	
	1-1/4	27	54	82	137	274	330	411	548	685	1370	
	1-3/4	32	64	96	160	320	384	480	640	800	1600	
	2	35	70	107	178	356	428	534	712	890	1780	
4	—	18	36	55	92	184	220	276	368	460	920	
	1-1/4	20	40	61	102	204	244	306	408	510	1020	
	1-3/4	22	44	68	113	226	273	339	452	565	1130	
	2	24	48	73	122	244	294	366	488	610	1220	
	2-1/2	30	60	90	150	300	362	450	600	750	1500	
5	—	12	24	35	58	116	141	174	232	290	580	870
	1-1/2	13	26	39	64	128	155	193	258	320	640	960
	2	14	28	42	70	140	168	210	280	350	700	1050
	2-1/2	16	32	47	78	156	188	235	315	390	780	1170
	3	18	36	55	92	184	220	275	365	460	920	1380
	3-1/2	22	44	66	111	222	266	333	444	555	1110	1665
6	—	8	16	24	41	82	98	123	162	202	404	606
	1-3/4	9	18	27	45	90	107	135	180	225	450	675
	2-1/2	10	20	30	50	100	118	150	200	250	500	750
	3	11	22	33	54	108	130	165	206	270	540	810
	3-1/2	12	24	37	62	124	148	185	245	310	620	930
8	4	15	30	44	73	146	176	220	295	365	730	1095
	—	4	8	14	23	46	55	69	92	115	230	345
	3-1/2	5-1/2	11	17	28	56	68	85	115	140	280	420
	4	6	12	18	30	60	73	90	122	150	300	450
	5	7-1/2	15	22	38	76	90	114	150	185	375	555
10	5-1/2	8-1/2	17	26	43	86	104	129	172	215	430	645
	—	3	6	9	15	30	35	44	60	73	146	220
	4-1/2	3-1/2	7	11	18	36	44	55	75	92	184	275
	5	4	8	12	20	40	47	60	80	100	200	300
	5-1/2	4-1/2	9	13	21	42	50	63	84	105	210	315
10	7	5-1/2	11	17	29	58	69	87	115	145	290	435

This chart is based on the formula $V = \frac{231 \times \text{GPM}}{\text{EFF. CYL. AREA (Sq. Inches)}}$

ELECTRIC MOTOR HORSEPOWER

Required to Drive a Hydraulic Pump

GPM	PUMP PRESSURE PSI										
	100	200	250	300	400	500	750	1000	1250	1500	2000
1/2	.04	.07	.09	.10	.14	.17	.26	.34	.43	.52	.69
1	.07	.14	.17	.21	.28	.34	.52	.69	.86	1.03	1.37
1 1/2	.10	.21	.26	.31	.41	.52	.77	1.03	1.29	1.54	2.06
2	.14	.28	.34	.41	.55	.69	1.03	1.37	1.72	2.06	2.75
2 1/2	.17	.34	.43	.52	.69	.86	1.29	1.72	2.15	2.58	3.43
3	.21	.41	.52	.62	.83	1.03	1.54	2.06	2.57	3.09	4.12
3 1/2	.24	.48	.60	.72	.96	1.20	1.80	2.40	3.00	3.60	4.81
4	.28	.55	.69	.82	1.10	1.37	2.06	2.75	3.43	4.12	5.49
5	.34	.69	.86	1.03	1.32	1.72	2.57	3.43	4.29	5.15	6.86
6	.41	.82	1.03	1.24	1.65	2.06	3.09	4.12	5.15	6.18	8.24
7	.48	.96	1.20	1.44	1.92	2.40	3.60	4.81	6.01	7.21	9.61
8	.55	1.10	1.37	1.65	2.20	2.75	4.12	5.49	6.86	8.24	11.0
9	.62	1.24	1.55	1.85	2.47	3.09	4.63	6.18	7.72	9.27	12.4
10	.69	1.37	1.62	2.06	2.75	3.43	5.15	6.86	8.58	10.3	13.8
11	.76	1.51	1.89	2.27	3.02	3.78	5.66	7.55	9.44	11.3	15.1
12	.83	1.65	2.06	2.47	3.30	4.12	6.18	8.24	10.3	12.4	16.5
13	.89	1.79	2.23	2.68	3.57	4.46	6.69	8.92	11.2	13.4	17.8
14	.96	1.92	2.40	2.88	3.84	4.81	7.21	9.61	12.0	14.4	19.2
15	1.03	2.06	2.57	3.09	4.12	5.15	7.72	10.3	12.9	15.4	20.6
16	1.10	2.20	2.75	3.30	4.39	5.49	8.24	11.0	13.7	16.5	22.0
17	1.17	2.33	2.92	3.50	4.68	5.83	8.75	11.7	14.6	17.5	23.3
18	1.24	2.47	3.09	3.71	4.94	6.18	9.27	12.4	15.4	18.5	24.7
19	1.30	2.61	3.26	3.91	5.22	6.52	9.78	13.0	16.3	19.6	26.1
20	1.37	2.75	3.43	4.12	5.49	6.86	10.3	13.7	17.2	21.6	27.5
25	1.72	3.43	4.29	5.15	6.86	8.58	12.9	17.2	21.5	25.8	34.3
30	2.06	4.12	5.15	6.18	8.24	10.3	15.4	20.6	25.7	30.9	41.2
35	2.40	4.81	6.01	7.21	9.61	12.0	18.0	24.0	30.0	36.0	48.0
40	2.75	5.49	6.86	8.24	11.0	13.7	20.6	27.5	34.3	41.2	54.9
45	3.09	6.18	7.72	9.27	12.4	15.4	23.2	31.0	38.6	46.3	61.8
50	3.43	6.86	8.58	10.3	13.7	17.2	25.7	34.3	42.9	51.5	68.6
55	3.78	7.55	9.44	11.3	15.1	18.9	28.3	37.8	47.2	56.6	75.5
60	4.12	8.24	10.3	12.4	16.5	20.6	30.9	41.2	51.5	61.8	83.4
65	4.46	8.92	11.2	13.4	17.8	22.3	33.5	44.6	55.8	66.9	89.2
70	4.81	9.61	12.0	14.4	19.2	24.0	36.0	48.0	60.1	72.1	96.1
75	5.15	10.3	12.9	15.4	20.6	25.7	38.6	51.4	64.3	77.2	103.0
80	5.49	11.0	13.7	16.5	22.0	27.5	41.2	54.9	68.6	82.4	109.8
90	6.18	12.4	15.4	18.5	24.7	30.9	46.3	61.8	77.2	92.7	123.6
100	6.86	13.7	17.2	20.6	27.5	34.4	51.5	68.6	85.8	103.0	137.3

This chart is based on the formula $HP = \frac{GPM \times PSI}{1714 \times \text{EFFICIENCY}}$

For the purposes of this chart, pump efficiency was assumed to be 85%.

As horsepower varies directly with flow or pressure, multiply proportionately to determine values not shown. For instance, at 4000 PSI multiply 2000 PSI values by 2.

AREAS AND CIRCUMFERENCES OF CIRCLES

Diam.	Circum.	Area	Diam.	Circum.	Area	Diam.	Circum.	Area	Diam.	Circum.	Area	Diam.	Circum.	Area
			1	3.1416	.7854	5	15.708	19.635	12	37.699	113.10	24	75.398	452.39
1/64	.04909	.00019	1/16	3.3379	.8866	1/8	16.101	20.629	1/4	38.485	117.86	1/4	76.184	461.86
1/32	.09818	.00077	1/8	3.5343	.9940	1/4	16.493	21.648	1/2	39.270	122.72	1/2	76.969	471.44
3/64	.14726	.00173	3/16	3.7306	1.1075	3/8	16.886	22.691	3/4	40.055	127.68	3/4	77.764	481.11
1/16	.1965	.00307	1/4	3.9270	1.2272	1/2	17.279	23.758	13	40.841	132.73	25	78.540	490.87
5/64	.24544	.00479	5/16	4.1233	1.3530	5/8	17.671	24.850	1/4	41.626	137.89	1/4	79.325	500.74
3/32	.29452	.00690	3/8	4.3197	1.4849	3/4	18.064	25.967	1/2	42.412	143.14	1/2	80.111	510.71
7/64	.34361	.00940	7/16	4.5160	1.6230	7/8	18.457	27.109	3/4	43.197	148.49	3/4	80.896	520.77
1/8	.39270	.01227	1/2	4.7124	1.7671	6	18.850	28.274	14	43.982	153.94	26	81.681	530.93
9/64	.44179	.01553	9/16	4.9087	1.9175	1/8	19.242	29.465	1/4	44.768	159.48	1/4	82.467	541.19
5/32	.49087	.01917	5/8	5.1051	2.0739	1/4	19.635	30.680	1/2	45.553	165.13	1/2	83.252	551.55
11/64	.53996	.02320	11/16	5.3014	2.2365	3/8	20.028	31.919	3/4	46.338	170.87	3/4	84.038	562.00
3/16	.58905	.02761	3/4	5.4978	2.4053	1/2	20.420	33.183	15	47.124	176.71	27	84.823	572.56
13/64	.63814	.03241	13/16	5.6941	2.5802	5/8	20.813	34.472	1/4	47.909	182.65	1/4	85.608	583.21
7/32	.68722	.03758	7/8	5.8905	2.7612	3/4	21.206	35.785	1/2	48.695	188.69	1/2	86.394	593.96
15/64	.73631	.04314	15/16	6.0868	2.9483	7/8	21.598	37.122	3/4	49.480	194.83	3/4	87.179	604.81
1/4	.78540	.04909	2	6.2832	3.1416	7	21.991	38.485	16	50.265	201.06	28	87.965	615.75
17/64	.83449	.05542	1/16	6.4795	3.3410	1/8	22.384	39.871	1/4	51.051	207.39	1/4	88.750	626.80
9/32	.88357	.06213	1/8	6.6759	3.5466	1/4	22.776	41.282	1/2	51.836	213.82	1/2	89.535	637.94
19/64	.93266	.06922	3/16	6.8722	3.7583	3/8	23.169	42.718	3/4	52.622	220.35	3/4	90.321	649.18
5/16	.98175	.07670	1/4	7.0686	3.9761	1/2	23.562	44.179	17	53.407	226.98	29	91.106	660.52
21/64	1.03084	.08456	5/16	7.2649	4.2000	5/8	23.955	45.664	1/4	54.192	233.71	1/4	91.892	671.96
11/32	1.0799	.09281	3/8	7.4613	4.4301	3/4	24.347	47.173	1/2	54.978	240.53	1/2	92.677	683.49
23/64	1.1290	.10143	7/16	7.6576	4.6664	7/8	24.740	48.707	3/4	55.763	247.45	3/4	93.462	695.13
3/8	1.1781	.11045	1/2	7.8540	4.9087	8	25.133	50.265	18	56.549	254.47	30	94.248	708.86
25/64	1.2272	.11984	9/16	8.0503	5.1572	1/8	25.525	51.849	1/4	57.334	261.59	1/4	95.033	718.69
13/32	1.2763	.12962	5/8	8.2467	5.4119	1/4	25.918	53.456	1/2	58.119	268.80	1/2	95.819	730.62
27/64	1.3254	.13978	11/16	8.4430	5.6727	3/8	26.311	55.088	3/4	58.905	276.12	3/4	96.604	742.64
7/16	1.3744	.15033	3/4	8.6394	5.9396	1/2	26.704	56.745	19	59.690	283.53	31	97.389	754.77
29/64	1.4235	.16126	13/16	8.8357	6.2126	5/8	27.096	58.426	1/4	60.476	291.04	1/4	98.175	766.99
15/32	1.4726	.17257	7/8	9.0321	6.4918	3/4	27.489	60.132	1/2	61.261	298.65	1/2	98.960	779.31
31/64	1.5217	.18427	15/16	9.2284	6.7771	7/8	27.882	61.862	3/4	62.046	306.35	3/4	99.746	791.73
1/2	1.5708	.19635	3	9.4248	7.0686	9	28.274	63.617	20	62.832	314.16	32	100.531	804.25
17/32	1.6690	.22166	1/8	9.8175	7.6699	1/8	28.667	65.397	1/4	63.617	322.06	1/4	101.316	816.86
9/16	1.7671	.24850	1/4	10.210	8.2958	1/4	29.060	67.201	1/2	64.403	330.06	1/2	102.102	829.58
19/32	1.8653	.27688	3/8	10.603	8.9462	3/8	29.452	69.029	3/4	65.188	338.16	3/4	102.887	842.39
5/8	1.9635	.30680	1/2	10.996	9.6211	1/2	29.845	70.882	21	65.973	346.36	33	103.673	855.30
21/32	2.0617	.33824	5/8	11.388	10.321	5/8	30.238	72.760	1/4	66.759	354.66	1/4	104.458	868.31
11/16	2.1598	.37122	3/4	11.781	11.045	3/4	30.631	74.662	1/2	67.544	363.05	1/2	105.243	881.41
23/32	2.2580	.40574	7/8	12.174	11.793	7/8	31.023	76.589	3/4	68.330	371.54	3/4	106.029	894.62
3/4	2.3562	.44179	4	12.566	12.566	10	31.416	78.540	22	69.115	380.13	34	106.814	907.92
25/32	2.4544	.47937	1/8	12.959	13.364	1/4	32.201	82.516	1/4	69.900	388.82	1/4	107.600	921.32
13/16	2.5525	.51849	1/4	13.352	14.186	1/2	32.987	86.590	1/2	70.686	397.61	1/2	108.385	934.82
27/32	2.6507	.55914	3/8	13.744	15.033	3/4	33.772	90.763	3/4	71.471	406.49	3/4	109.170	948.42
7/8	2.7489	.60132	1/2	14.137	15.904	11	34.558	95.033	23	72.257	415.48	35	109.956	962.11
29/32	2.8471	.64504	5/8	14.530	16.800	1/4	35.343	99.402	1/4	73.042	424.56	1/4	110.741	975.91
15/16	2.9452	.69029	3/4	14.923	17.721	1/2	36.128	103.87	1/2	73.827	433.74	1/2	111.527	989.80
31/32	3.0434	.73708	7/8	15.315	18.665	3/4	36.914	108.43	3/4	74.613	443.01	3/4	112.312	1003.8

FLUID POWER FORMULAS

BASIC FORMULAS

FORMULA FOR:	WORD FORMULA	LETTER FORMULA
FLUID PRESSURE In Pounds/Square Inch	PRESSURE = $\frac{\text{FORCE (pounds)}}{\text{UNIT AREA (Square Inches)}}$	$P = \frac{F}{A}$ or $\text{psi} = \frac{F}{A}$
FLUID FLOW RATE In Gallons/Minute	FLOW RATE = $\frac{\text{VOLUME (Gallons)}}{\text{UNIT TIME (Minutes)}}$	$Q = \frac{V}{T}$
FLUID POWER In Horsepower	HORSEPOWER = $\frac{\text{PRESSURE (PSI)} \times \text{FLOW (GPM)}}{1714}$	$HP = \frac{PQ}{1714}$

FLUID FORMULAS

VELOCITY THROUGH PIPING In Feet/Second Velocity	VELOCITY = $\frac{.3208 \times \text{FLOW RATE THROUGH I.D. (GPM)}}{\text{INTERNAL AREA (Square Inches)}}$	$V = \frac{.3208Q}{A}$
COMPRESSIBILITY OF OIL In Additional Required Oil To Reach Pressure	ADDITIONAL VOLUME = $\frac{\text{PRESSURE (PSI)} \times \text{VOLUME OF OIL UNDER PRESSURE}}{250,000 \text{ (Approx.)}}$	$VA = \frac{PV *}{250,000}$ * Approximately 1/2% per 1000 psi
COMPRESSIBILITY OF A FLUID	COMPRESSIBILITY = $\frac{1}{\text{BULK MODULUS OF THE FLUID}}$	$C(\beta) = \frac{1}{BM}$
SPECIFIC GRAVITY OF A FLUID	SPECIFIC GRAVITY = $\frac{\text{WEIGHT OF ONE CUBIC FOOT OF FLUID}}{\text{WEIGHT OF ONE CUBIC FOOT OF WATER}}$	$SG = \frac{W}{62.4283}$
VALVE (CV) FLOW FACTOR	VALVE FACTOR (CV) = $\frac{\text{FLOW RATE (GPM)} \times \sqrt{\text{SPECIFIC GRAVITY}}}{\text{PRESSURE DROP (PSI)}}$	$CV = \frac{Q \sqrt{SG}}{\Delta P}$
VISCOSITY IN CENTISTOKES	For Viscosities of 32 to 100 Saybolt Universal Seconds: CENTISTOKES = $.2253 \times \text{SUS} - \frac{194.4}{\text{SUS}}$	$CS = .2253 \text{ SUS} - \frac{194.4}{\text{SUS}}$
VISCOSITY IN CENTISTOKES	For Viscosities of 100 to 240 Saybolt Universal Seconds: CENTISTOKES = $.2193 \times \text{SUS} - \frac{134.6}{\text{SUS}}$	$CS = .2193 \text{ SUS} - \frac{134.6}{\text{SUS}}$
VISCOSITY IN CENTISTOKES	For Viscosities Greater Than 240 Saybolt Universal Seconds: CENTISTOKES = $\frac{\text{SUS}}{4.635}$	$CS = \frac{\text{SUS}}{4.635}$

NOTE: Saybolt Universal Seconds is often abbreviated SSU.

PUMP FORMULAS

PUMP OUTLET FLOW In Gallons/Minute	FLOW = $\frac{\text{RPM} \times \text{PUMP DISPLACEMENT (Cu. In./Rev.)}}{231}$	$Q = \frac{nd}{231}$
PUMP INPUT POWER In Horsepower Required	HORSEPOWER INPUT = $\frac{\text{FLOW RATE OUTPUT (GPM)} \times \text{PRESSURE (psi)}}{1714 \times \text{EFFICIENCY (Overall)}}$	$HP_{IN} = \frac{QP}{1714 \text{ Eff}}$ or $\frac{\text{GPM} \times \text{psi}}{1714 \text{ Eff}}$
PUMP EFFICIENCY Overall in Percent	OVERALL EFFICIENCY = $\frac{\text{OUTPUT HORSEPOWER}}{\text{INPUT HORSEPOWER}} \times 100$	$Eff_{OV} = \frac{HP_{OUT}}{HP_{IN}} \times 100$
	OVERALL EFFICIENCY = VOLUMETRIC Eff. X MECHANICAL Eff.	$Eff_{OV} = Eff_{VOL} \times Eff_{MECH.}$
PUMP EFFICIENCY Overall in Percent	VOLUMETRIC EFFICIENCY = $\frac{\text{ACTUAL FLOW RATE OUTPUT (GPM)}}{\text{THEORETICAL FLOW RATE OUTPUT (GPM)}} \times 100$	$Eff_{VOL} = \frac{O_{ACT.}}{O_{THEO.}} \times 100$
PUMP EFFICIENCY Mechanical in Percent	MECHANICAL EFFICIENCY = $\frac{\text{THEORETICAL TORQUE TO DRIVE}}{\text{ACTUAL TORQUE TO DRIVE}} \times 100$	$Eff_{MEC} = \frac{T_{THEO.}}{T_{ACT.}} \times 100$
PUMP LIFE B ₁₀ BEARING LIFE	B ₁₀ HOURS OF BEARING LIFE = $\text{RATED LIFE HOURS} \times \frac{\text{RATED SPEED (RPM)}}{\text{NEW SPEED (RPM)}} \times \left(\frac{\text{RATED PRESSURE (PSI)}}{\text{NEW PRESSURE (PSI)}} \right)^3$	$B_{10} = \text{RATED HRS.} \times \frac{\text{RPM}_R}{\text{RPM}_N} \times \left(\frac{\text{PR}}{\text{PN}} \right)^3$

ACTUATOR FORMULAS		
FORMULA FOR:	WORD FORMULA	LETTER FORMULA
CYLINDER AREA In Square Inches	AREA = $\pi \times \text{RADIUS}^2$ (Inches)	A = πr^2
	= $\frac{\pi \times \text{DIAMETER}^2}{4}$ (Inches)	A = $\frac{\pi D^2}{4}$ or A = $.785D^2$
CYLINDER FORCE In Pounds, Push or Pull	FORCE = PRESSURE (psi) X NET AREA (Square Inches)	F = psi X A or F = PA
CYLINDER VELOCITY or SPEED In Feet/Second	VELOCITY = $\frac{231 \times \text{FLOW RATE (GPM)}}{12 \times 60 \times \text{NET AREA (Square Inches)}}$	F = $\frac{231Q}{720A}$ or V = $\frac{.3208Q}{A}$
CYLINDER VOLUME CAPACITY In Gallons of Fluid	VELOCITY = $\frac{\pi \times \text{RADIUS}^2 \text{ (Inches)} \times \text{STROKE (Inches)}}{231}$	V = $\frac{\pi r^2 l}{231}$
	= $\frac{\text{NET AREA (Square Inches)} \times \text{STROKE (Inches)}}{231}$	V = $\frac{A l}{231}$ l = Length of Stroke
CYLINDER FLOW RATE In Gallons Per Minute	FLOW RATE = $\frac{12 \times 60 \times \text{VELOCITY (Feet/Sec.)} \times \text{NET AREA (Sq. Inches)}}{231}$	Q = $\frac{720vA}{231}$ or Q = $3.117vA$
FLUID MOTOR TORQUE In Inch Pounds	TORQUE = $\frac{\text{PRESSURE (psi)} \times \text{F.M. DISPLACEMENT (Cu. In./Rev.)}}{2\pi}$	T = $\frac{\text{psi } d}{2\pi}$ or T = $\frac{Pd}{2\pi}$
	= $\frac{\text{HORSEPOWER} \times 63025}{\text{RPM}}$	T = $\frac{63025 \text{ HP}}{n}$
	= $\frac{\text{FLOW RATE (GPM)} \times \text{PRESSURE (psi)} \times 36.77}{\text{RPM}}$	T = $\frac{36.77QP}{n}$ or T = $\frac{36.77Q\text{psi}}{n}$
FLUID MOTOR TORQUE/100 psi In Inch Pounds	TORQUE/100 psi = $\frac{\text{F.M. DISPLACEMENT (Cu. Inches/Revolution)}}{.0628}$	T _{100psi} = $\frac{d}{.0628}$
FLUID MOTOR SPEED In Revolutions/Minute	SPEED = $\frac{231 \times \text{FLOW RATE (GPM)}}{\text{F.M. DISPLACEMENT (Cu. Inches/Revolution)}}$	n = $\frac{231Q}{d}$
FLUID MOTOR POWER In Horsepower Output	HORSEPOWER = $\frac{\text{TORQUE OUTPUT (Inch Pounds)} \times \text{RPM}}{63025}$	HP = $\frac{Tn}{63025}$
THERMAL FORMULAS		
RESERVOIR COOLING CAPACITY Based on Adequate Air Circulation	HEAT (BTU/HR) = $2 \times \text{TEMPERATURE DIFFERENCE BETWEEN RESERVOIR WALLS AND AIR (°F)} \times \text{AREA OF RESERVOIR (Sq. Ft.)}$	BTU/HR = $2.0 \times \Delta T \times A$
HEAT IN HYDRAULIC OIL (approx.) Due to System Inefficiency (SG=.89-.92)	HEAT (BTU/HR) = FLOW RATE (GPM) X 210 X TEMPERATURE DIFFERENCE (°F)	BTU/HR = Q X 210 X ΔT
HEAT IN FRESH WATER (approx.)	HEAT (BTU/HR) = FLOW RATE (GPM) X 500 X TEMPERATURE DIFFERENCE (°F)	BTU/HR = Q X 500 X ΔT
NOTE: One British Thermal Unit (BTU) is the amount of heat required to raise the temperature of one pound of water one degree. One Horsepower = 2545 BTU/HR.		

FLUID POWER FORMULAS

ACCUMULATOR FORMULAS

PRESSURE or VOLUME w/ Constant "T" (Temperature)	ORIGINAL PRESSURE X ORIGINAL VOLUME = FINAL PRESSURE X FINAL VOLUME	$P_1 V_1 = P_2 V_2$ Isothermic
PRESSURE or TEMPERATURE w/ Constant "V" (Volume)	ORIGINAL PRESSURE X FINAL TEMPERATURE = FINAL PRESSURE X ORIGINAL TEMPERATURE	$P_1 T_2 = P_2 T_1$ Isochoric
VOLUME or TEMPERATURE w/ Constant "P" (Pressure)	ORIGINAL VOLUME X FINAL TEMPERATURE = FINAL VOLUME X ORIGINAL TEMPERATURE	$V_1 T_2 = V_2 T_1$ Isobaric
PRESSURE or VOLUME w/ Temperature Change Due to Heat of Compression	ORIGINAL PRESSURE X ORIGINAL VOLUME ⁿ = FINAL PRESSURE X FINAL VOLUME ⁿ $\frac{\text{FINAL TEMP.}}{\text{ORIG. TEMP.}} = \left(\frac{\text{ORIG. VOLUME}}{\text{FINAL VOLUME}} \right)^{n-1} = \left(\frac{\text{FINAL PRESSURE}}{\text{ORIG. PRESSURE}} \right)^{n-1/n}$	$P_1 V_1^n = P_2 V_2^n$ $\frac{T_2}{T_1} = \left(\frac{V_1}{V_2} \right)^{n-1} = \left(\frac{P_2}{P_1} \right)^{n-1/n}$

NOTE: Where "P" = psia (ABSOLUTE) = psig (GAUGE PRESSURE) + 14.7 psi and n= 1.4 for air.

VOLUME & CAPACITY EQUIVALENTS

	Cubic Inches	Cubic Feet	Cubic Yards	Liters	U.S. Gallons	Imperial Gallons	Water at Max. Density 39.2°F 4°C	
							Pounds of Water	Kilograms of Water
Cu Inches	1	.0005787	.00002143	.016384	.004329	.0036065	.0361275	.0163872
Cu Feet	1728	1	.037037	28.317	7.48052	6.23210	62.4283	28.3170
Cu Yards	46,656	27	1	764.56	201.974	168.266	1685.56	764.559
Liters	61.0234	.0353145	.001308	1	.264170	.220083	2.20462	1
U.S. Gallons	231	.133681	.004951	3.78543	1	.833111	8.34545	3.78543
Imp. Gallons	277.274	.160459	.0059429	4.54374	1.20032	1	10.0172	4.54373
Lbs Water	27.6798	.0160184	.0005929	.453592	.119825	.0998281	1	.453593

COMMON CONVERSION FACTORS

To Convert	Into	Multiply By
Atmospheres	cm Mercury	76.009
Atmospheres	ft. Water (39°F)	33.899
Atmospheres	in. Mercury	29.925
Atmospheres	kgf / Sq. cm	1.0332
Atmospheres	kgf / Sq. Meter	10.332×10 ³
Atmospheres	psi (lb. / Sq. in.)	14.696
Bar	Atmospheres	986.92×10 ⁻³
Bar	Newtons / Sq. Meter	100.0×10 ³
Bar	psi (lb. / Sq. in.)	14.504
Barrels (oil)	Gallons, U.S.	42.0
BTU	Calories	252.16
BTU	ft.-lb.	778.17
BTU	hp-hr.	393.01×10 ⁻⁶
BTU	kgf Meters	107.59
BTU	kW-hr.	293.07×10 ⁻⁶
BTU / min.	ft.-lb. / sec.	12.969
BTU / min.	Horsepower	23.581×10 ⁻³
BTU / min.	Kilowatts	17.584×10 ⁻³
BTU / min.	Watts	17.584
Centimeters	Inches	393.7×10 ⁻³
Centimeters	Meters	10.0×10 ⁻³
Centimeters	Millimeters	10.0
cm / sec.	ft. / min.	1.9685
cm / sec.	ft. / sec.	32.808×10 ⁻³
cm / sec.	km / hr.	36.0×10 ⁻³
cm / sec.	Meters / min.	600.0×10 ⁻³
cm / sec.	Miles / min.	372.82×10 ⁻⁶
cm / sec.	mph (mi. / hr.)	22.369×10 ⁻³
cm / sec. / sec.	ft. / sec. / sec.	32.808×10 ⁻³
cm Mercury	Atmospheres	13.156×10 ⁻³
cm Mercury	ft. Water (39°F)	445.98×10 ⁻³
cm Mercury	kgf / Sq. Meter	135.94
cm Mercury	lb. / Sq. ft.	27.842
cm Mercury	psi (lb. / Sq. in.)	193.35×10 ⁻³
Cubic cm	Cubic Feet	35.315×10 ⁻⁶
Cubic cm	Cubic Inches	61.024×10 ⁻³
Cubic cm	Cubic Meters	1.0×10 ⁻⁶
Cubic cm	Cubic Yards	1.308×10 ⁻⁶
Cubic cm	Gallons, U.S.	264.17×10 ⁻⁶
Cubic cm	Liters	1.0×10 ⁻³
Cubic cm	Pints (liq)	2.1134×10 ⁻³
Cubic cm	Quarts (liq)	1.0567×10 ⁻³
Cubic Feet	Cubic cm	28.317×10 ³
Cubic Feet	Cubic Inches	1.728×10 ³
Cubic Feet	Cubic Meters	28.317×10 ⁻³
Cubic Feet	Cubic Yards	37.037×10 ⁻³
Cubic Feet	Gallons, U.S.	7.4805
Cubic Feet	Liters	28.317
Cubic Feet	Pints (liq)	59.844
Cubic Feet	Quarts (liq)	29.922

To Convert	Into	Multiply By
Cubic ft. / min	Cubic cm / sec.	471.95
Cubic ft. / min	gal. / min.	7.4805
Cubic ft. / min	gal. / sec.	124.68×10 ⁻³
Cubic ft. / min	lb. Water / min.	62.428
Cubic ft. / min	Liters / sec.	471.95×10 ⁻³
Cubic Inches	Cubic cm	16.387
Cubic Inches	Cubic Feet	578.7×10 ⁻⁶
Cubic Inches	Cubic Meters	16.387×10 ⁻⁶
Cubic Inches	Cubic Yards	21.433×10 ⁻⁶
Cubic Inches	Gallons, U.S.	4.329×10 ⁻³
Cubic Inches	Liters	16.387×10 ⁻³
Cubic Inches	Pints (liq)	34.632×10 ⁻³
Cubic Inches	Quarts (liq)	17.316×10 ⁻³
Cubic Meters	Cubic cm	1.0×10 ⁶
Cubic Meters	Cubic Feet	35.315
Cubic Meters	Cubic Inches	61.024×10 ³
Cubic Meters	Cubic Yards	1.308
Cubic Meters	Gallons, U.S.	264.17
Cubic Meters	Liters	1.0×10 ³
Cubic Meters	Pints (liq)	2.1134×10 ³
Cubic Meters	Quarts (liq)	1.0567×10 ³
Cubic Yards	Cubic cm	764.55×10 ³
Cubic Yards	Cubic Feet	27.0
Cubic Yards	Cubic Inches	46.656×10 ³
Cubic Yards	Cubic Meters	764.55×10 ⁻³
Cubic Yards	Gallons, U.S.	201.97
Decimeters	Meters	100.0×10 ⁻³
Degrees (angle)	Minutes (angle)	60.0
Degrees (angle)	Radians	17.453×10 ⁻³
Degrees (angle)	Seconds (angle)	3.6×10 ³
Degrees / sec.	Radians / sec.	17.453×10 ⁻³
Degrees / sec.	rpm (Rev. / min.)	16.667×10 ⁻³
Degrees / sec.	rpm (Rev. / min.)	2.7778×10 ⁻³
Feet	Centimeters	30.48
Feet	Inches	12.0
Feet	Meters	304.8×10 ⁻³
Feet	Yards	333.33×10 ⁻³
ft. / min.	cm / sec.	508.0×10 ⁻³
ft. / min.	ft. / sec.	16.667×10 ⁻³
ft. / min.	km / hr.	18.288×10 ⁻³
ft. / min.	Meters / min.	304.8×10 ⁻³
ft. / min.	mph (mi. / hr.)	11.364×10 ⁻³
ft. / sec. / sec.	cm. / sec. / sec.	30.48
ft. / sec. / sec.	Meters / sec. / sec.	304.8×10 ⁻³
ft. Water (39°F)	Atmospheres	29.5×10 ⁻³
ft. Water (39°F)	in. Mercury	882.77×10 ⁻³
ft. Water (39°F)	kgf / Sq. cm	30.48×10 ⁻³
ft. Water (39°F)	lb. / Sq. ft.	62.428
ft. Water (39°F)	psi (lb. / Sq. in.)	433.53×10 ⁻³
ft.-lb.	BTU	1.2851×10 ⁻³

COMMON CONVERSION FACTORS

To Convert	Into	Multiply By
ft.-lb.	Calories	324.05×10 ⁻³
ft.-lb.	hp-hr.	505.05×10 ⁻⁹
ft.-lb.	kgf-Meters	138.25×10 ⁻³
ft.-lb.	kW-hr.	376.62×10 ⁻⁹
ft.-lb.	Newton-meters	1.3558
ft.-lb. / min.	BTU / min.	1.2851×10 ⁻³
ft.-lb. / min.	Calories / min.	324.05×10 ⁻³
ft.-lb. / min.	ft.-lb. / sec.	16.667×10 ⁻³
ft.-lb. / min.	Horsepower	30.303×10 ⁻⁶
ft.-lb. / min.	Kilowatts	22.597×10 ⁻⁶
ft.-lb. / sec.	BTU / min.	77.104×10 ⁻³
ft.-lb. / sec.	Calories / min.	19.443
ft.-lb. / sec.	Horsepower	1.8182×10 ⁻³
ft.-lb. / sec.	Kilowatts	1.3558×10 ⁻³
gal. / min.	Cubic ft. / hr.	8.0208
gal. / min.	Cubic ft. / sec.	2.228×10 ⁻³
gal. / min.	Liters / sec.	63.09×10 ⁻³
gal. Water (39°F)	lb. Water (39°F)	8.3454
Gallons, Imp.	Gallons, U.S.	1.201
Gallons, U.S.	Cubic cm	3.7854×10 ³
Gallons, U.S.	Cubic Feet	133.68×10 ⁻³
Gallons, U.S.	Cubic Inches	231.0
Gallons, U.S.	Cubic Meters	3.7854×10 ⁻³
Gallons, U.S.	Gallons, Imp.	832.67×10 ⁻³
Gallons, U.S.	Liters	3.7854
Gallons, U.S.	Pints (liq)	8.0
Gallons, U.S.	Quarts (liq)	4.0
Horsepower	BTU / min.	42.407
Horsepower	Calories / min.	10.694×10 ³
Horsepower	ft.-lb. / min.	33.0×10 ³
Horsepower	ft.-lb. / sec.	550.0
Horsepower	Kilowatts	745.7×10 ⁻³
Horsepower	Metric Horsepower	1.0139
Horsepower	Watts	745.7
hp.-hr.	BTU	2.5444×10 ³
hp.-hr.	Calories	641.62×10 ³
hp.-hr.	ft.-lb.	1.98×10 ⁶
hp.-hr.	kgf-Meters	273.74×10 ³
hp.-hr.	kW-hr.	745.7×10 ⁻³
in. Mercury	Atmospheres	33.417×10 ⁻³
in. Mercury	ft. Water (39°F)	1.1328
in. Mercury	kgf / Sq. cm	34.528×10 ⁻³
in. Mercury	lb. / Sq. ft.	70.718
in. Mercury	psi (lb. / Sq. in.)	491.1×10 ⁻³
in. Water (39°F)	Atmospheres	2.4583×10 ⁻³
in. Water (39°F)	in. Mercury	73.564×10 ⁻³
in. Water (39°F)	kgf / Sq. cm	2.54×10 ⁻³
in. Water (39°F)	lb. / Sq. ft.	5.2023
in. Water (39°F)	psi (lb. / Sq. in.)	36.127×10 ⁻³
in.-lb.	Newton-meters	112.98×10 ⁻³

To Convert	Into	Multiply By
Inches	Centimeters	2.54
Inches	Millimeters	25.4
kg force / sq cm	Atmospheres	967.84×10 ⁻³
kg force / sq cm	ft. Water (39°F)	32.808
kg force / sq cm	in. Mercury	28.962
kg force / sq cm	lb. / Sq. ft.	2.0482×10 ³
kg force / sq cm	psi (lb. / Sq. in.)	14.223
Kilograms	Dyne	980.66×10 ³
Kilograms	Grams	1.0×10 ³
Kilograms	Pounds	2.2046
Kilograms	Tons, Short	1.1023×10 ⁻³
Kilometers	Centimeters	100.0×10 ³
Kilometers	Feet	32.808×10 ⁶
Kilometers	Meters	1.0×10 ³
Kilometers	Miles	621.37×10 ⁻³
Kilowatts	BTU / min.	56.869
Kilowatts	Calories / min.	14.34×10 ³
Kilowatts	ft.-lb. / min.	44.254×10 ³
Kilowatts	ft.-lb. / sec.	737.56
Kilowatts	Horsepower	1.341
Kilowatts	Watts	1.0×10 ³
km / hr.	cm / sec.	27.778
km / hr.	ft. / min.	54.681
km / hr.	ft. / sec.	911.34×10 ⁻³
km / hr.	Meters / min.	16.667
km / hr.	mph (mi. / hr.)	621.37×10 ⁻³
km / hr. / sec.	cm. / sec. / sec.	27.778
km / hr. / sec.	ft. / sec. / sec.	911.34×10 ⁻³
km / hr. / sec.	Meters / sec. / sec.	277.78×10 ⁻³
kW-hr.	BTU	3.4121×10 ³
kW-hr.	Calories	860.42×10 ³
kW-hr.	ft.-lb.	2.6552×10 ⁶
kW-hr.	hp-hr.	1.341
kW-hr.	kgf-Meters	367.1×10 ³
lb. / Cubic ft.	lb. / Cubic in.	578.7×10 ⁻⁶
lb. / Cubic in.	lb. / Cubic ft.	1.728×10 ³
lb. Water (39°F)	Cubic Feet	16.018×10 ⁻³
lb. Water (39°F)	Cubic Inches	27.68
lb. Water (39°F)	Gallons, U.S.	119.83×10 ⁻³
lb. Water / min.	Cubic ft. / sec.	266.97×10 ⁻⁶
Liters	Cubic cm	1.0×10 ³
Liters	Cubic Feet	35.315×10 ⁻³
Liters	Cubic Inches	61.024
Liters	Cubic Meters	1.0×10 ⁻³
Liters	Gallons, U.S.	264.17×10 ⁻³
Liters	Quarts (liq)	1.0567
Liters / min.	gal. / sec.	4.4029×10 ⁻³
Meters	Centimeters	100.0
Meters	Feet	3.2808
Meters	Inches	39.37

COMMON CONVERSION FACTORS

To Convert	Into	Multiply By
Meters	Kilometers	1.0×10^{-3}
Meters	Millimeters	1.0×10^3
Meters / min.	cm / sec.	1.6667
Meters / min.	ft. / min.	3.2808
Meters / min.	ft. / sec.	54.681×10^{-3}
Meters / min.	km / hr.	60.0×10^{-3}
Meters / min.	mph (mi. / hr.)	37.282×10^{-3}
Meters / sec.	ft. / min.	196.85
Meters / sec.	ft. / sec.	3.2808
Meters / sec.	km / hr.	3.6
Meters / sec.	km / min.	60.0×10^{-3}
Meters / sec.	Miles / min.	37.282×10^{-3}
Meters / sec.	mph (mi. / hr.)	2.2369
Microns	Inches	39.37×10^{-6}
Microns	Meters	1.0×10^{-6}
Millimeters	Centimeters	100.0×10^{-3}
Millimeters	Inches	39.37×10^{-3}
Minutes (Angle)	Radians	290.89×10^{-6}
mph (mi. / hr.)	cm / sec.	44.704
mph (mi. / hr.)	ft. / min.	88.0
mph (mi. / hr.)	ft. / sec.	1.4667
mph (mi. / hr.)	km / hr.	1.6093
mph (mi. / hr.)	Meters / min.	26.822
Newtons	Kilograms force	101.97×10^{-3}
Ounces	Grams	28.35
Ounces	Pounds	62.5×10^{-3}
Ounces, Fluid	Cubic Inches	1.8047
Ounces, Fluid	Liters	29.574×10^{-3}
Pounds	Grams	453.59
Pounds	Kilograms	453.59×10^{-3}
Pounds	Newtons	4.4482
Pounds	Ounces	16.0
Pounds	Tons, Short	500.0×10^{-6}
psi (lb. / Sq. in.)	Atmospheres	68.046×10^{-3}
psi (lb. / Sq. in.)	ft. Water (39°F)	2.3067
psi (lb. / Sq. in.)	in. Mercury	2.0363
psi (lb. / Sq. in.)	kgf / Sq. cm	70.307×10^{-3}
Radians	Degrees (angle)	57.296
Tons, Long	Kilograms	1.016×10^3
Tons, Long	Pounds	2.24×10^3
Tons, Long	Tons, Short	1.12
Tons, Metric	Pounds	2.2046×10^3
Tons, Short	Kilograms	907.18
Tons, Short	Tons, Long	892.86×10^{-3}
Tons, Short	Tons, Metric	907.18×10^{-3}
Watt-hr.	BTU	3.4121
Watt-hr.	Calories	860.42
Watt-hr.	ft.-lb.	2.6552×10^3
Watt-hr.	hp-hr.	1.341×10^{-3}
Watt-hr.	kgf-Meters	367.1

To Convert	Into	Multiply By
Watt-hr.	kW-hr.	1.0×10^{-3}
Watts	BTU / min.	56.869×10^{-3}
Watts	Calories / min.	14.34
Watts	ft.-lb. / min.	44.254
Watts	ft.-lb. / sec.	737.56×10^{-3}
Watts	Horsepower	1.341×10^{-3}
Watts	Kilowatts	1.0×10^{-3}

COMMODITY & MATERIAL WEIGHTS

Approximate Weights of Materials

Material	lbs. / cu. yd.	tons / cu. yd.	Material	lbs. / cu. yd.	tons / cu. yd.
Andesite stone	4,887	2.44	Earth & sand, wet	3,240	1.62
Ashes	1,080	0.52	Fire Brick	3,915	1.95
Asphalt	2,700	1.35	Fire Clay	3,510	1.75
Asphaltum	2,349	1.17	Garbage	1,150	0.57
Basalt rock	4,887	2.44	Gravel, dry	2,970	1.48
Brick, soft clay	2,718	1.35	Gravel, out of water	1,620	0.81
Brick, hard clay	3,397	1.69	Granite	4,536	2.26
Brick, pressed	3,806	1.90	Lime, quick, loose	1,431	0.71
Brick, paving	4,246	2.12	Lime, quick, shaken	1,485	0.70
Block, paving	3,694	1.84	Limestone, solid	4,400	2.20
Bluestone	2,970	1.48	Limestone, loose	2,592	1.29
Cement, natural	1,512	0.75	Marble, solid	4,455	2.22
Cement, Portland	2,430	1.21	Marble, loose	2,592	1.29
Cement, Portland, set	4,941	2.47	Mortar, set	2,781	1.39
Cement, Rosendale	1,863	0.93	Mud, dry	2,430	1.21
Cinders	1,080	0.54	Mud, packed	3,105	1.55
Clay, dry	1,701	0.85	Mud, wet	2,916	1.45
Clay, wet	2,970	1.48	Pitch	1,863	0.93
Clay & gravel, dry	2,700	1.35	Plaster of Paris	2,646	1.32
Coal, anthracite	1,536	0.76	Powder, blasting	1,682	0.84
Coal, bituminous	1,275	0.64	Quartz	4,374	2.18
Coke	837	0.42	Rubbish	199.8	0.09
Concrete, cinders	2,970	1.48	Sand, dry, loose	2,619	1.30
Concrete, gravel	4,104	2.05	Sand, wet	3,186	1.59
Concrete, limestone	4,050	2.02	Sandstone	4,023	2.01
Concrete, sandstone	3,915	1.95	Slag, blank	1,890	0.94
Concrete, trap rock	4,185	2.09	Slag, screenings	2,700	1.35
Crushed stone	2,700	1.35	Slag, machine	2,592	1.29
Earth, dry, loose	1,890	0.94	Slag, sand	1,485	0.74
Earth, damp, loose	2,106	1.05	Shale	4,374	2.18
Earth, damp, packed	2,592	1.29	Slate	4,725	2.31
Earth & gravel, dry	2,700	1.35	Tar	1,674	0.83
Earth & gravel, wet	3,240	1.62	Tile	2,970	1.43
Earth & sand, dry	2,709	1.35	Trap stone	5,849	2.52

Steel & Aluminum Gauge, Thickness and Weight

Gauge	Thickness (inches)	Weight (lbs./ft ²)
Steel		
3/8"	0.375	15.320
1/4" (approx. 3 Ga.)	0.250	10.200
3/16" (approx. 7 Ga.)	0.188	7.650
8 Ga.	0.164	6.875
9 Ga.	0.149	6.250
10 Ga.	0.134	5.625
11 Ga.	0.120	5.000
12 Ga.	0.105	4.375
13 Ga.	0.090	3.750
14 Ga.	0.075	3.125
Aluminum		
3/8"	0.375	5.18
1/4"	0.250	3.53
3/16"	0.188	2.65
5/32"	0.156	2.25

NOTES

NOTES

NOTES

NOTES

NOTES

Lined area for notes with 28 horizontal lines.

NOTES

NOTES

NOTES